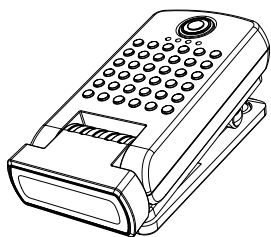
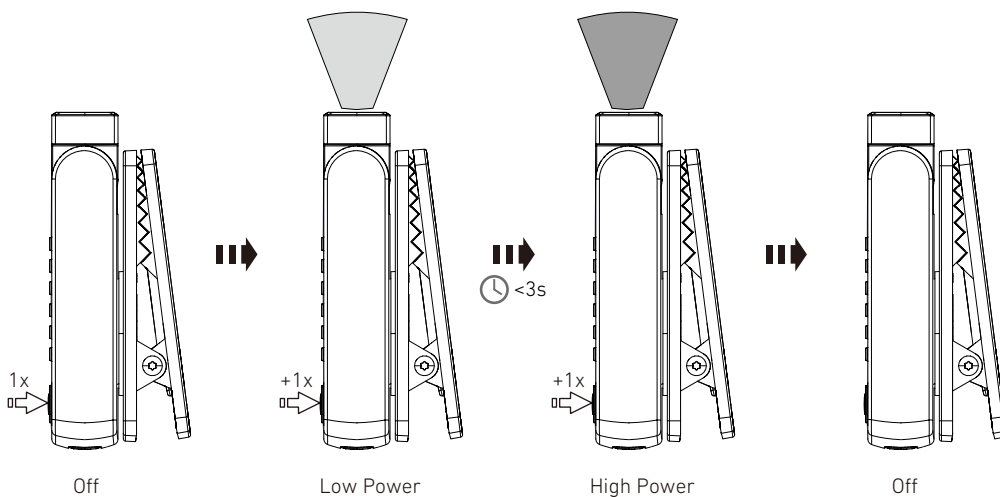
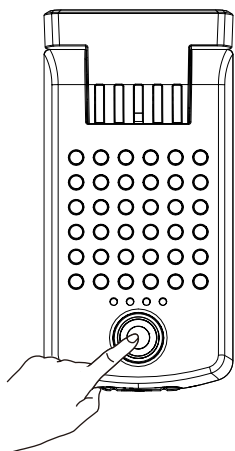


LEDLENSER W1R Work

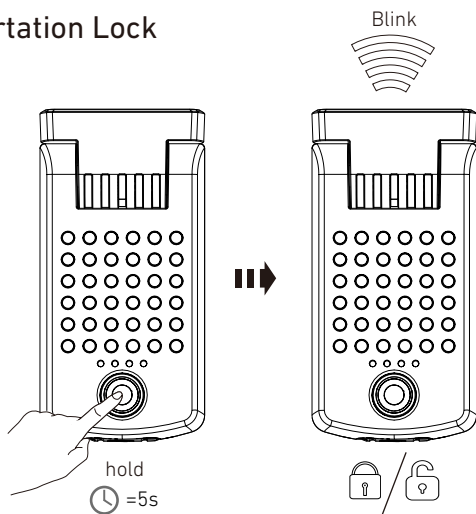


Type-C to Type-C
 Battery Type: 803030
 Chemical System Of Battery: Li-ion

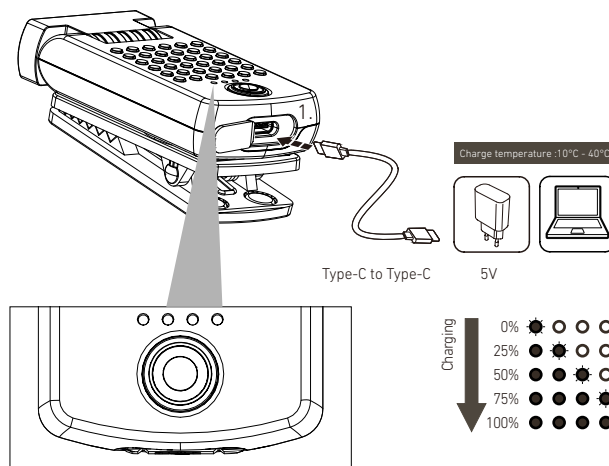
Operation



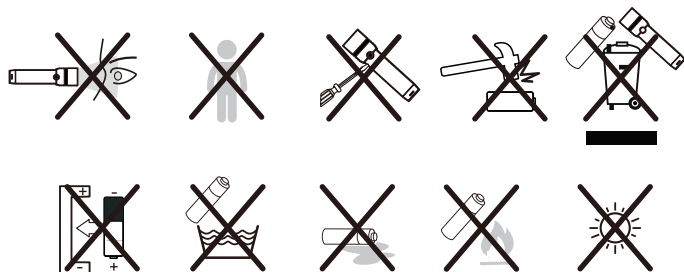
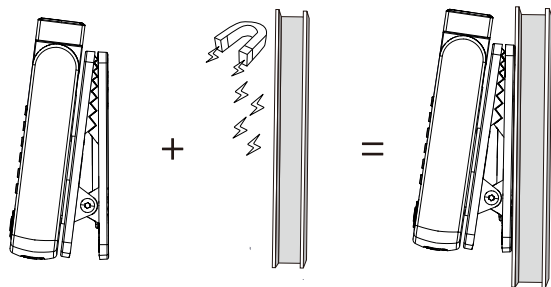
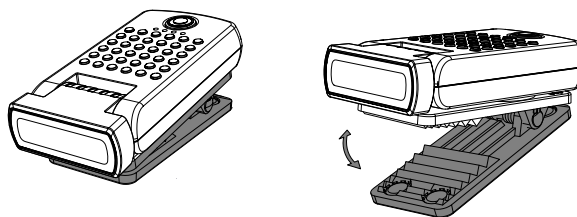
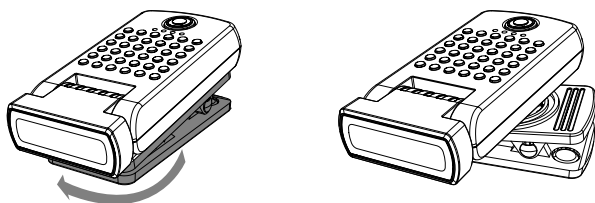
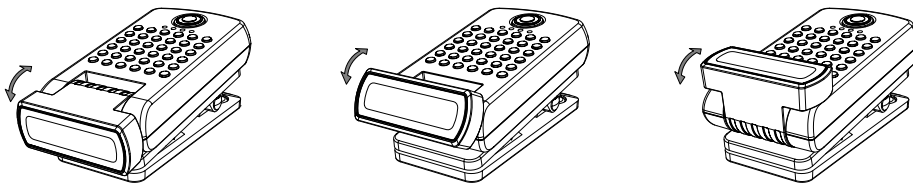
Transportation Lock



Charging System



LEDLENSER W1R Work



Ledlenser GmbH & Co. KG
 Kronenstrasse 5-7 • 42699 Solingen • Germany
 Phone +49 212/5948-0 Fax +49 212/5948-200
 info@ledlenser.com



W1R Work_V0
 2022.08.08
 1J12A0510

