

We are so happy you chose a
hama product.

Enjoy using it!

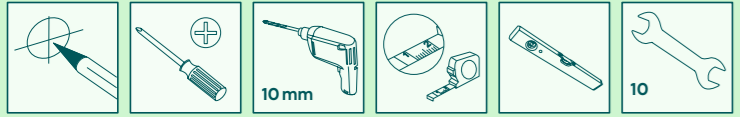


hama

00
220846

Quick Installation Guide

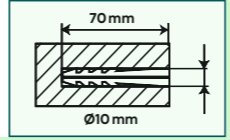
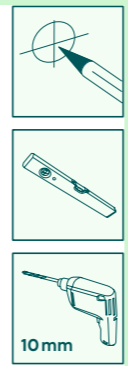
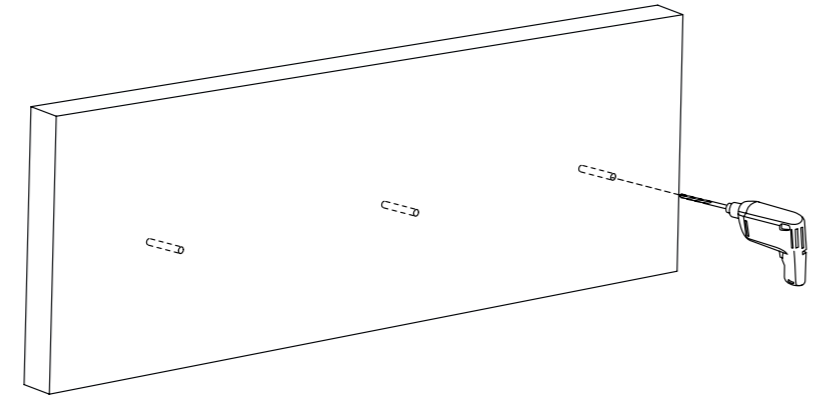
Required tools



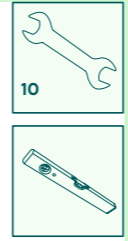
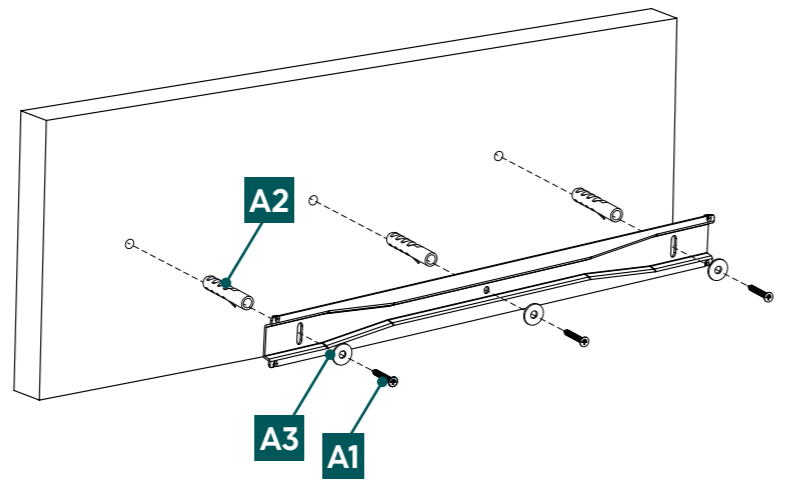
Installation kit

A1		8x60 (x3)	C2		M6x20 (x4)
A2		Ø10x60 (x3)	D1		M8x12 (x4)
A3		M8 (x3)	D2		M8x20 (x4)
B1		M8 (x4)	D3		M8x30 (x4)
B2		Ø8x10 (x4)	D4		M8x50 (x4)
B3		Ø8x20 (x4)	E1		(x1)
C1		M6x12 (x4)	F1		(x1)

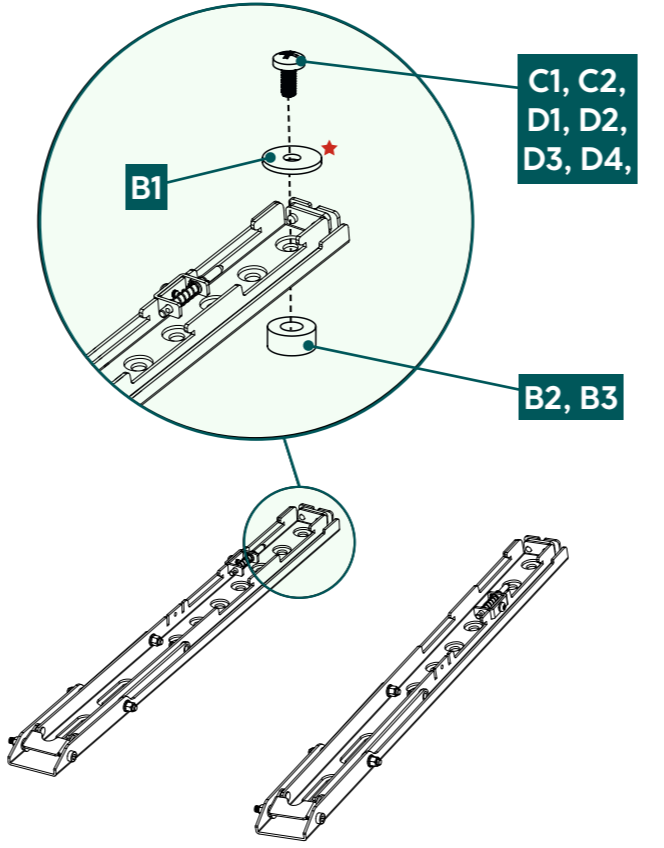
1a Drilling the holes



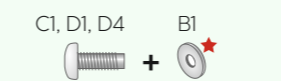
1b Wall mounting the the bracket



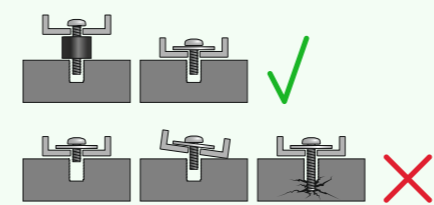
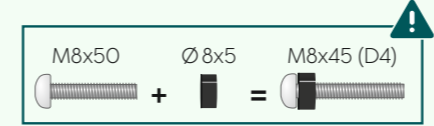
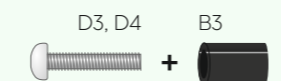
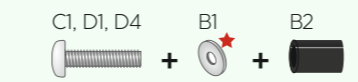
2 Mounting on backside of the TV



Flat TV backside

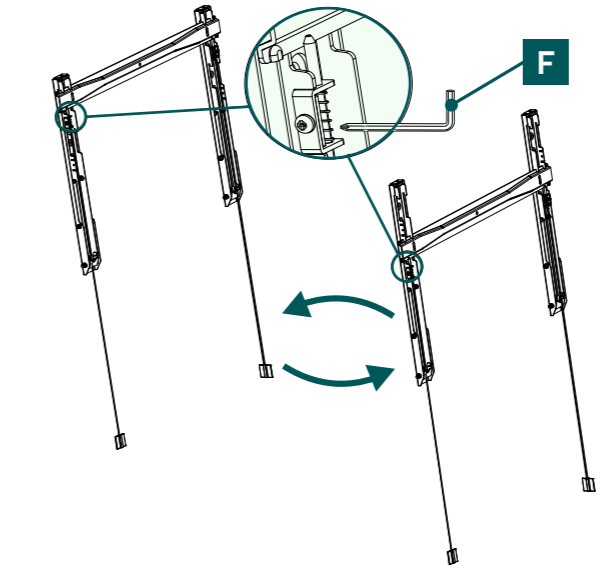


Curved TV backside

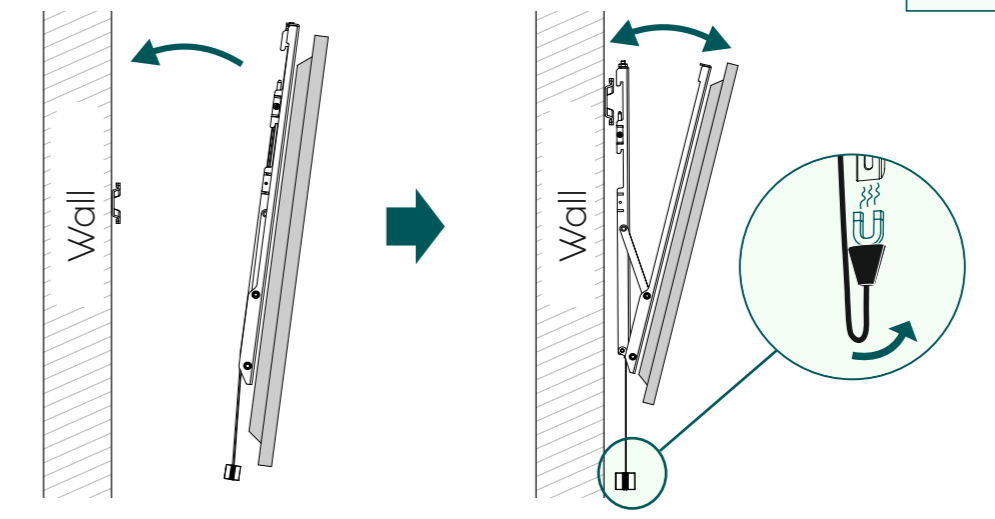


★ You do not need a washer for the D-screws

3 Adjustment & Fixing



4 Adjustment & Fixing



Do you need more help?



Scan QR or visit: www.hama.com
 00220846 Downloads