

Haier

USER MANUAL



BI SD 177

DOWNLOAD THE hOn App

Discover extra contents and
create your inventory list



LANGUAGES

English.....	2
Deutsch.....	21
Español.....	42
Français.....	63
Italiano.....	84
Nederlands.....	105
Polski.....	126
Portuguese.....	147
Čeština	167
Slovenčina	186

SUMMARY

SAFETY INFORMATION	3
Scrapping old appliances	10
Conformity.....	10
Guarantee.....	11
Energy Saving.....	11
Before first use	11
Freezer use	11
Storage	12
Control panel	12
Care and cleaning	13
Defrosting the freezer	13
Availability of spare parts	14
Troubleshooting	14
Technical assistance	15
Installation.....	15
Ventilation	16
Installation into the cabinet	17
Mounting the fascia door	18
Installation instructions for products with fixed hinges.....	19
Reversing the appliance door	20

Thank you for purchasing this product.

Before using your refrigerator, please carefully read this instruction manual in order to maximize its performance. Store all documentation for subsequent use or for other owners. This product is intended solely for household use or similar applications such as:

- the kitchen area for personnel in shops, offices and other working environments
- on farms, by clientele of hotels, motels and other environments of a residential type
- at bed and breakfasts (B & B)
- for catering services and similar applications not for retail sale.

This appliance must be used only for purposes of storage of food, any other use is considered dangerous and the manufacturer will not be responsible for any omissions. Also, it is recommended that you take note of the warranty conditions.

SAFETY INFORMATION

Please read the operating and installation instructions carefully!

They contain important information on how to install, use and maintain the appliance.

The manufacturer is not liable if you fail to comply with the instructions and warnings.

Retain all documents for subsequent use or for the next owner.

- **Do not connect the appliance to the electricity supply until all packing and transit protectors have been removed. Keep children away from packaging and its parts.
Danger of suffocation from folding cartons and plastic film!**
- **Leave to stand for at least 4 hours before switching on the product, to allow compressor oil to settle if transported horizontally.**
- **Make sure there is no transport damage.**
- **Do not damage the refrigerant circuit.**

- **Maintain the ventilation openings in the appliance enclosure or in the built-in structure, free of obstruction.**
- **Never use water to wash the compressor position, wipe it with a dry cloth thoroughly after cleaning to prevent rust.**
- **Handle the appliance always with at least two persons because it is heavy.**
- **Install and level the appliance in an area suitable for its size and use.**
- **Make sure that the electrical information on the rating plate agrees with the power supply. If it does not, contact an electrician.**
- **The appliance is operated by a 220-240 VAC/50 Hz power supply. Abnormal voltage fluctuation may cause the appliance to fail to start, or damage to the temperature control or compressor, or there may be an abnormal noise when operating. In such case, an automatic regulator shall be mounted.**
- **Only for UK: The appliance's power cable is fitted with 3-cord (grounding) plug that fits a standard 3-cord (grounded) socket. Never cut off or dismount the third pin (grounding). After the appliance is installed, the plug should be accessible.**
- **Make sure that mains cable is not caught under the appliance during and after**

carrying/moving the appliance, to avoid the mains cable becoming cut or damaged. If the supply cord is damaged, it must be replaced by the manufacturer, its service agent or similarly qualified person in order to avoid a hazard.

- Do not install the appliance in humid, oily or dusty places, nor expose it to direct sunlight and to water.**
- Do not install the appliance near heaters or inflammable materials.**
- FOR appliances with a freezer compartment: if there is a power failure do not open the lid. Frozen food should not be affected if the failure lasts for less than the hours indicated on the rating label (Temperature rise time). If the failure is longer, then the food should be checked and eaten immediately or cooked and then refrozen.**
- If you find that the lid of the appliance is difficult to open just after you have closed it, don't worry. This is due to the pressure difference which will equalize and allow the lid to be opened normally after a few minutes.**
- Do not store medicines, bacteria or chemical agents in the appliance. This appliance is a household appliance, it is not recommended to store materials that require strict temperatures.**
- Do not excessively pull or fold the power cord**

or touch the plug with wet hands.

- **Do not store products which contain flammable propellant (e.g. spray cans) or explosive substances in the appliance. Risk of explosion!**
- **Do not place unstable articles (heavy objects, containers filled with water) on top of the refrigerator, to avoid personal injury caused by falling or electric shock caused by contact with water.**
- **Do not use electrical appliances inside the food storage compartments, unless they are of the type recommended by the manufacturer.**
- **Do not touch internal cooling elements, especially with wet hands, to avoid cracks or injuries.**
- **At risk here are children, people who have limited physical, mental or sensory abilities, as well as people who have inadequate knowledge concerning safe operation of the appliance.**
- **Check that children and vulnerable people have understood the hazards. A person responsible for safety must supervise or instruct children and vulnerable people who are using the appliance. Only children aged 8 years and above may use the appliance.**
- **Children should not play with the appliance.**
- **Children aged from 3 to 8 years are allowed to load and unload this appliance.**

- **FOR appliances with a freezer compartment: do not store bottled or canned liquids (especially carbonated drinks) in the freezer compartment. Bottles and cans may burst!**
- **FOR appliances with a freezer compartment: never put frozen food straight from the freezer compartment in your mouth. Risk of low-temperature burns!**
- **Keep plastic parts and the door seal free of oil and grease. Otherwise, plastic parts and the door seal will become porous.**
- **Before performing any operation, unplug the power cord from the power socket.**
- **Do not use mechanical devices or other means to accelerate the defrosting process, other than those recommended by the manufacturer.**
- **Do not use pointed or sharp-edged objects such as knives or forks to remove the frost.**
- **Never use hairdryers, electrical heaters or other such electrical appliances for defrosting.**
- **It is recommended to keep the plug clean, any excessive dust residues on the plug can be the cause fire.**
- **Do not try to repair, disassemble or modify the appliance by yourself. In case of repair please contact always our customer service.**
- **Supervise children while the appliance is being cleaned or maintained.**

- Do not clean the cold glass shelves with hot water. Sudden temperature change may cause the glass to break.
- **WARNING:** The tubes of the refrigeration circuit convey a small quantity of an environmentally friendly but flammable refrigerant (R600a) and insulating gas (cyclopentane). It does not damage the ozone layer and does not increase the greenhouse effect. If refrigerant escapes, it may injure your eyes or ignite.
- If the refrigerant circuit should be damaged:
 - Switch off the appliance and pull out the mains plug,
 - Keep naked flames and/or ignition sources away from the appliance,
 - Thoroughly ventilate the room for several minutes,
 - Inform customer service.
- **WARNING:** Do not damage the plug and/or the power cord; this could cause electrical shocks or fires.
- **WARNING:** Do not use multiple portable socket-outlets or portable power supplies. We do not recommend the use of extension leads and multi-way adapters.
- Do not attempt to sit or stand on the top of the appliance. You could injure yourself or damage

it. This appliance is not designed for stacking with any other ones.

- The product is designed and built for domestic household use only.**
- Only original parts supplied by the manufacturer may be used. The manufacturer guarantees that only these parts satisfy the safety requirements.**
- Opening the door for long periods can cause a significant increase of the temperature in the compartments of the appliance.**
- Clean regularly surfaces that can come in contact with food and accessible drainage systems.**
- Clean water tanks if they have not been used for 48h; flush the water system connected to a water supply if water has not been drawn for 5 days.**
- Store raw meat and fish in suitable containers in the refrigerator, so that it is not in contact with or drip onto other food.**
- Two-star frozen-food compartments(if they are presented in the appliance) are suitable for storing pre-frozen food, storing or making ice-cream and making ice cubes.**
- One-, two- and three -star compartments, if present in the appliance, are not suitable for the freezing of fresh food.**
- If the appliance is left empty for long periods,**

switch off, defrost, clean, dry and leave the door open to prevent mould developing within the appliance.

- **FOR Wine Coolers: this appliance is intended to be used exclusively for the storage of wine**
- **FOR a free standing appliance: this refrigerating appliance is not intended to be used as a built-in appliance**
- **FOR appliances without a 4-star compartment: this refrigerating appliance is not suitable for freezing foodstuffs**

Scrapping old appliances



This appliance is marked according to the European directive 2012/19/EU on Waste Electrical and Electronic Equipment (WEEE).

WEEE contains both polluting substances (which can cause negative consequences for the environment) and basic components (which can be re-used). It is important to have WEEE subjected to specific treatments, in order to remove and dispose properly all pollutants, and recover and recycle all materials.

Individuals can play an important role in ensuring that WEEE does not become an environmental issue; it is essential to follow some basic rules:

- WEEE should not be treated as household waste;
- WEEE should be handed over to the relevant collection points managed by the municipality or by registered companies. In many countries, for large WEEE, home collection could be present.

In many countries, when you buy a new appliance, the old one may be returned to the retailer who has to collect it free of charge on a one-to-one basis, as long as the equipment is of equivalent type and has the same functions as the supplied equipment.

Conformity

By placing the **CE** mark on this product, we are confirming compliance to all relevant European safety, health and environmental requirements which are applicable in legislation for this product.

Guarantee

Minimum guarantee is: 2 years for EU Countries, 3 years for Turkey, 1 year for UK, 1 year for Russia, 3 years for Sweden, 2 years for Serbia, 5 years for Norway, 1 year for Morocco, 6 months for Algeria, Tunisia no legal warranty required.

Energy Saving

For better energy saving we suggest :

- Installing the appliance away from heat sources and not exposed to direct sunlight and in a well ventilated room.
- Avoid putting hot food into the refrigerator to avoid increasing the internal temperature and therefore causing continuous functionaliting of the compressor.
- Do not excessively stuff foods so as to ensure proper air circulation.
- Defrost the appliance in case there is ice to facilitate the transfer of cold.
- In case of absence of electrical energy, it is advisable to keep the refrigerator door closed.
- Open or keep the doors of the appliance open as little as possible
- Avoid adjusting the setting to temperatures too cold.
- Remove dust present on the rear of the appliance

For further information about the product, please consult <https://eprel.ec.europa.eu/> or scan the QR on the energy label supplied with the appliance

Before first use

You must allow the freezer to settle for at least four hours prior to switching the power on.

It is recommended that you clean the interior of the appliance prior to first use, using a solution of bicarbonate of soda and warm water and then thoroughly drying the interior.

The freezer may have an odor to it at first use. This will disappear as the appliance cools.

Please note:

The appliance will start on temperature setting 3 and work continuously until it comes down to the correct temperature.

If the appliance is switched off, you should allow five minutes before switching it on again to prevent unnecessary damage to the compressor.

Never store inflammable or explosive items and strong corrosive acids or alkalis in the appliance.

This freezer cools your food by making the inside back of the cavity cold. It is normal for frost to build up on this surface; it then dissipates and drains through a small drain at the bottom, where it evaporates harmlessly. The presence of some frosting is not a malfunction of the freezer.

Freezer use

- The freezer compartments are designed to store only frozen food.
- Never put hot or warm foods in the freezer, allow them to cool fully before putting them into the freezer.

- Follow the instructions on the food packaging for storage of frozen food. If no information is provided, foods should not be stored for more than three months after the purchase date.
- Store food in small packages (ideally less than 2.5kg). This reduces the freezing time and improves the quality of the food after thawing.
- Wrap food before putting into the freezer. To stop the wrapping sticking together, ensure it is dry.
- Label the food before freezing with information including type of food and dates of storage and expiry.
- Once food is thawed, it must not be refrozen unless it has been completely cooked. Only defrost as much food as is required to prevent wastage.
- Bottled or canned drinks should not be stored in the freezer compartment as they could explode.
- Check the rating plate to confirm the maximum amount of fresh food that can be frozen within a 24 hour period.

Do not attempt to freeze more than the maximum amount.

Storage

The freezer is for short-mid term food storage. Although low temperatures can be maintained, extended periods of food storage is not recommended.

As the cold air circulates within the freezer, the temperature can vary between the different sections. As such, foods should be stored in different sections according to type and storage term. The bottom sections are the coldest parts of the freezer.

The top two sections have raisable flaps that stay open for ease of loading and unloading. The remaining 5 sections are drawers.

The 6th setting on the control panel, represented by the snowflake (Fig. 2), is a super freeze function. This should be used when freezing large quantities of food all at once. Activate this function 2 or 3 hours before introducing the food and do not leave it to run for more than necessary.

Leaving it to run for longer will place unnecessary strain on the cooling system. The function will automatically deactivate after approximately 24 hours.

The most energy-saving configuration requires drawers, food box and shelves to be positioned in the product, please refer to the above pictures.

- It's suggested to set the temperature at -18°C in the freezer compartment.
- For frozen food, refer to the storage time written on the food packaging. This storage time is achieved whenever the setting respects the reference temperatures of the compartment (one-star -6°C , two stars -12°C , three stars -18°C)

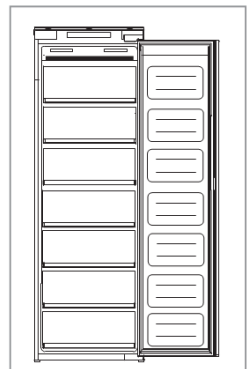


Fig. 2

Control panel



A. Freezer temperature adjustment sensor

This button is used to adjust the temperature within the freezer. Press this sensor once to activate adjustment, and then as many times as necessary until the desired level is selected. The settings range from 1 to 6 with 1 being the warmest and super freeze being the coldest. Please note: Where possible, avoid having the temperature setting on 5 or super freeze (snowflake) all of the time. This will help to alleviate strain on the compressor and system.

B. Freezer temperature setting display

This display will illuminate the current temperature setting. Adjusting the temperature will cycle through this display.

Please note: You do not use numbers 1 to 5 or the snowflake to change the temperature. Instead, use the freezer temperature adjustment sensor (A).

Position	Conditions
1-2	Summer or ambient temperature between 25-35 °C
3-4	Spring, autumn or ambient temperature between 15-25 °C
5	Winter, or ambient temperature between 5-15 °C
Super freezing	Quick freeze

C. Power button

Press the sensor once to rose up the function, and then press for 3 seconds to switch the appliance on or off .

This product has power-off or power failure memory function.

Care and cleaning

Always disconnect the appliance from the power supply before any cleaning or maintenance.

The drawer sections should be cleaned using a solution of bicarbonate of soda and lukewarm water. Do not use abrasive products or detergents. After washing, rinse and dry thoroughly.

Clean the compartments separately by hand with a mild solution of washing up liquid and water. Do not use abrasive cleaners or detergents.

If the appliance is not to be used for prolonged periods of time, unplug and clean the appliance. The doors should be left slightly ajar to prevent the formation of mildew and unpleasant odors.

Defrosting the freezer

The freezer has a no frost system which is designed to prevent the heavy build up of ice. Under normal use, there should be no need to regularly defrost the freezer system.

Please note: If you are regularly finding a heavy build up of ice, or pools of water, in the freezer section then it is likely that the door is not sealing properly. This could be due to a defective door

seal or an incorrectly fitted, or overly heavy, decor door. For more information see the troubleshooting section on ice.

Please note: If you are regularly finding pools of water in the freezer, frost build-ups, or you notice that the compressor is always running, then it is likely that the door is not sealing properly. This could be due to a defective door seal or an incorrectly fitted, or overly heavy, decor door. For more information see the troubleshooting section on ice on page 12.

Availability of spare parts

- Thermostats, temperature sensors, printed circuit boards and light sources are available for a minimum period of seven years after placing the last unit of the model on the market.
- Door handles, door hinges, trays and baskets for a minimum period of seven years and door gaskets for a minimum period of 10 year, after placing the last unit of the model on the market.

Troubleshooting

If you have any problems with your appliance, you should check the troubleshooting prior to calling Montpellier Customer Care.

If the appliance is not working, check:

- That there is power to the appliance.
- The house fuses are intact and the fuse in the plug has not blown.
- The freezer has not been turned off
- The plug socket is functioning fine. To check this, plug another electrical appliance in to see if the socket is faulty.

If the appliance is working, but not very well, check:

- The appliance is not overloaded.
- The thermostat is set to an appropriate temperature.
- The doors are closing properly.
- The cooling system at the rear of the appliance is clean and free of dust, and not touching the rear wall.
- There is enough ventilation at the side and rear walls.
- This can be due to the decor door(s) not being properly fitted, causing the freezer door to not close properly thus letting warm air in. If you are at all unsure, ask your fitter to check the decor doors.

If the appliance is noisy, check:

- The appliance is level and stable.
- The side and rear walls are clear, and there is nothing resting on the appliance.
- Note: The cooling gas in the system may make a slight bubbling or gurgling noise, even when the compressor is not running.

If the appliance is beeping, check:

- That the door is closed.

If there's water in the base of the freezer, check:

- Check that there is some resistance when opening the door of the appliance. If it opens at the slightest touch it may mean that the door seal needs to be replaced.

- Check the door seal for any kinks, debris or damage. If you notice any, and are unable to resolve the issue yourself, contact Customer Care so that the seal can be replaced.
- This can be due to the decor door(s) not being properly fitted. If you are at all unsure, ask your fitter to check the decor doors.

If excessive ice has formed in the freezer:

- It is normal for some ice to form in the freezer. This does not constitute a fault with the appliance.
- Check that there is some resistance when opening the door of the appliance. If it opens at the slightest touch it may mean that the door seal needs to be replaced.
- Check the door seal for any kinks, debris or damage. If you notice any, and are unable to resolve the issue yourself, contact Customer Care so that the seal can be replaced.
- This can be due to the decor door(s) not being properly fitted. If you are at all unsure, ask your fitter to check the decor doors.

Technical assistance

To contact the technical assistance, visit our website: <https://corporate.haier-europe.com/en/>
 Under the section “website”, choose the brand of your product and your country. You will be redirected to the specific website where you can find the telephone number and form to contact the technical assistance

Installation

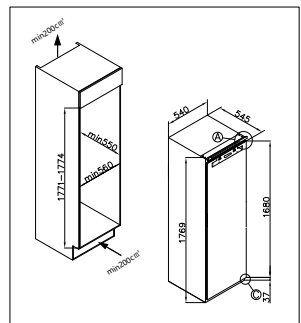
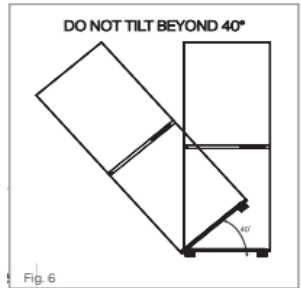
This appliance must never be installed close to heat sources, e.g. heating elements or cookers, nor in damp places.

Seek the help of another individual, or two, when installing this appliance. This appliance may have sharp edges. Wear adequate PPE for the task and environment.

- To ensure the appliance is level, you should use the height adjustable feet at the front of the appliance.
- The cooling system at the rear of the appliance must not touch the rear wall. The greater the gap, the better.
- The appliance must be installed with adequate ventilation. Ensure that there is clearance above the appliance to allow air to escape and that there is space between the rear of the appliance and the wall.

Install the appliance at a location where the ambient temperature corresponds to the climate class indicated on the rating plate of the appliance:

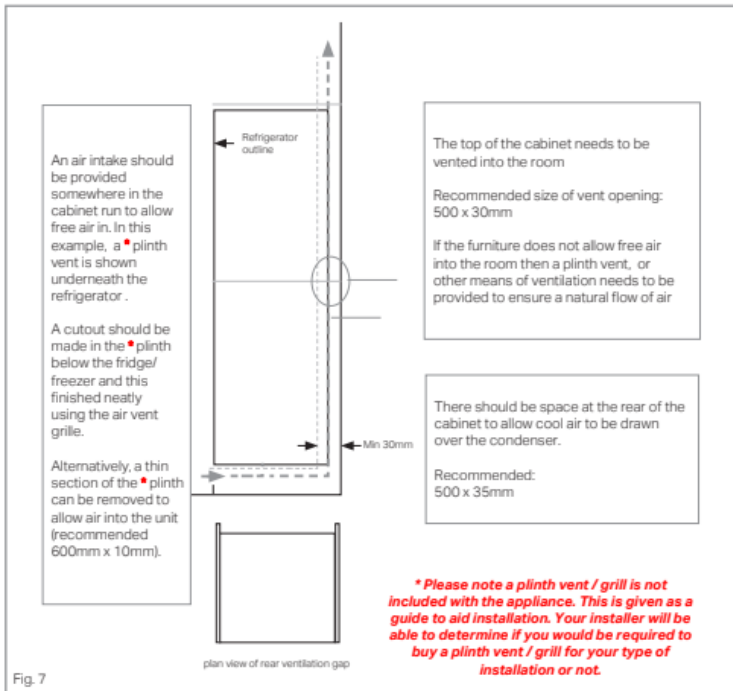
- Extended temperate (SN): ‘this refrigerating appliance is intended to be used at ambient temperatures ranging from 10 °C to 32 °C’
- Temperate (N): ‘this refrigerating appliance is intended to be used at ambient temperatures ranging from 16 °C to 32 °C’
- Subtropical (ST): ‘this refrigerating appliance is intended to be used at ambient temperatures ranging from 16 °C to 38 °C’



- Tropical (T): 'this refrigerating appliance is intended to be used at ambient temperatures ranging from 16 °C to 43 °C'

Ventilation

The main consideration when installing any refrigeration unit into a fitted kitchen is ventilation. The heat removed from the cooling compartment needs to be dissipated into the atmosphere. Incorrect ventilation can lead to premature compressor failure, excessive power consumption, total system failure and may invalidate the warranty provided with the appliance. For products intended to be installed into a tall housing unit, the following requirements need to be met:



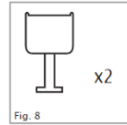
The open channel at the rear is clearly shown. For the correct operation of the appliance it is important that the top of the housing unit is not blocked off. A channel depth of 40-50mm is normal with most units.

A ventilation hole is required in the plinth of the unit; this allows air To be drawn over the compressor & heat exchange. The required air flow can be achieved by removal of a thin section of plinth (recommended 600mm x 10mm minimum).

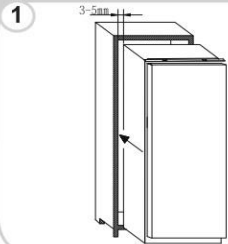
As a rule, the more air that can get in and out, the better and more efficient the operation of the product.

Installation into the cabinet

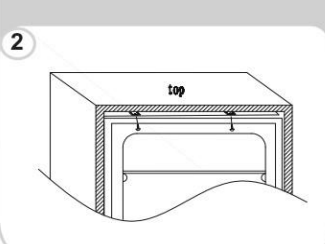
With the help of another individual, or two, move the appliance into the cabinet. There are two metal plates at the base of the appliance. Fit the supplied white spacers (Fig. 8) to these plates, as per Fig. 9.



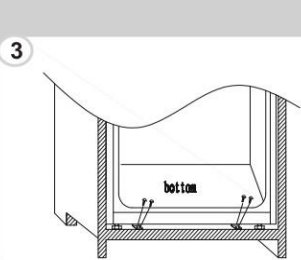
Insert the appliance into the column placing it on the opposite site of the hinges, and make sure 3-5 mm distance gap.



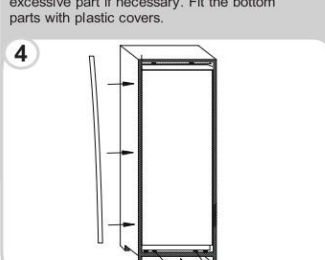
After ensuring the match between appliance door and column door, fix the plastic covers from accessories bag.



Screw the appliance lower part.



Fit the seal to the appliance, cut off the excessive part if necessary. Fit the bottom parts with plastic covers.

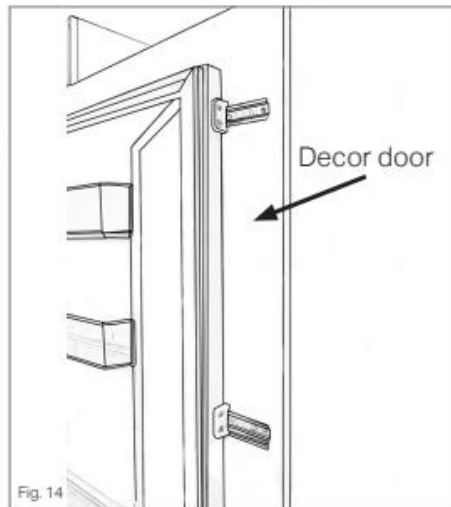
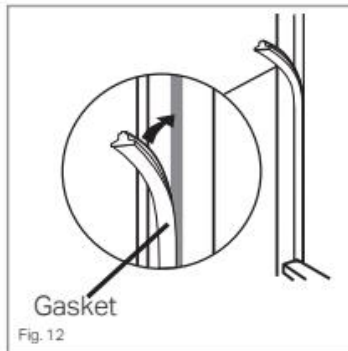
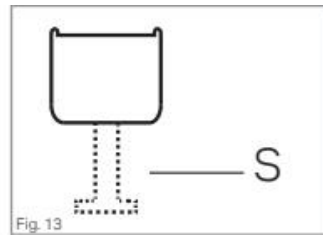
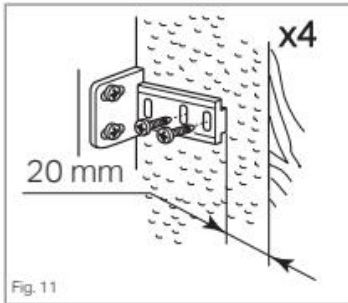


Ensure that the lips of the spacers are level with the lip of the cabinet base.

Mounting the fascia door

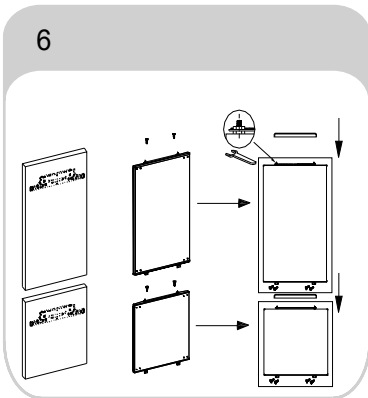
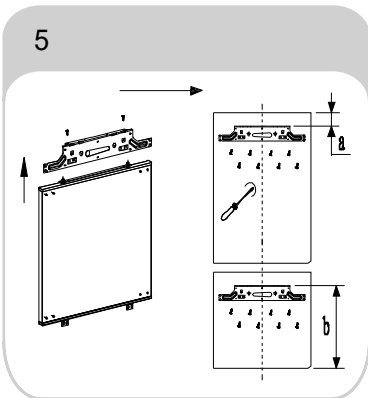
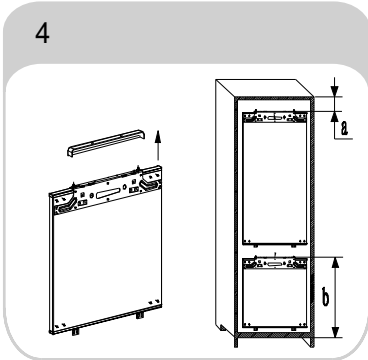
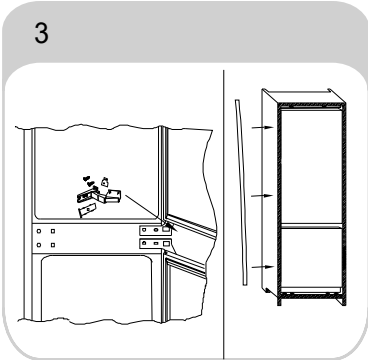
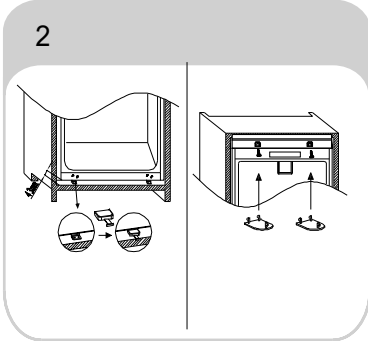
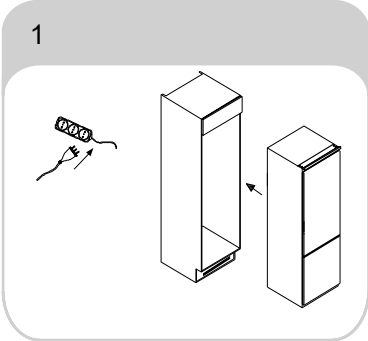
- Ensure that there is a gap of 3 to 4mm between the non- hinged side and the cabinet wall.
- Locate the slider in the bracket and fix the slider to the fascia door 20 to 22mm from the edge of the fascia as shown in figure 11, ensuring that the slider is positioned centrally and horizontally within the bracket. Tighten securely by hand.
- Fill the gap on the non-hinged side with the gasket/seal strip provided, as shown in Fig. 12.
- The finished look for the door sliders should be similar to those shown in Fig. 14, which shows 2 sliders in place.
- **Ensure the appliance door opens, closes and seals properly.**

Once complete, and if you are happy with the fit of the appliance in the cabinet, bend and snap the parts of the white spacers marked 'S' as shown by the dotted outline in fig. 13. Leave the rest of the spacer cover in place over the metal plates.



Important: After completing the installation, check that the appliance is secured within the unit and that the door(s) close and open properly. If there is no resistance from the door seals when opening the doors, then it is probable that the appliance and/or decor doors are not fitted properly.

Installation instructions for products with fixed hinges.

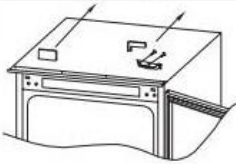


Reversing the appliance door

We recommend you seek the help of another individual to support the doors whilst performing this operation. Always wear adequate PPE (Personal Protective Equipment) for the task at hand. Prepare a surface with a soft, clean towel or similar where you can place the door during these steps.

Remove the right upper hinge cover and hinge by screwdriver .

1



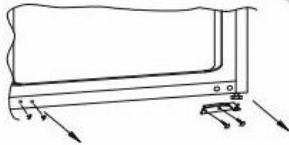
Remove the door.

2



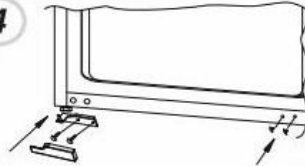
Remove the right bottom hinge and left plastic plugs, and refit them onto the opposite side.

3



Assemble the right upper hinge to the left bottom and fit the cover.

4



Sit the door on the bottom hinge and assemble the bottom hinge to the top, make sure 1-2-3 are very close

5



Ensuring the door seals correctly:

It is normal for the seal to be compressed after the door has been reversed. With the door closed, use a hair dryer to expand the seal and fill the gap between the door and the body of the appliance. Take care not to use the hair dryer too close to the appliance, which could damage the seal. A distance of approximately 10cm should be adequate.

When completed, allow the seal and door to cool before touching them. Once done, the seal should remain in position.

ZUSAMMENFASSUNG

SICHERHEITSHINWEISE	22
Geräteentsorgung	30
Konformität	30
Garantie	31
Energieeinsparung.....	31
Vor der ersten Inbetriebnahme	31
Nutzung des Tiefkühlschranks.....	32
Lagerung	32
Bedienfeld	33
Pflege und Reinigung.....	33
Abtauen des Tiefkühlschranks.....	34
Verfügbarkeit von ersatzteilen	34
Fehlerbehebung	34
Technische unterstützung	35
Installation.....	36
Belüftung	37
Einbau in den Schrank	38
Montage der Stirntür.....	39
Montageanleitung für Produkte mit festen Scharnieren.....	40
Türanschlag Ihres Geräts ändern	40

Vielen Dank für den Kauf dieses Produkts.

Bevor Sie den Kühlschrank benutzen, lesen Sie bitte aufmerksam diese Bedienungsanleitung, um das Gerät optimal zu nutzen. Bewahren Sie alle Unterlagen für spätere Zwecke oder Nachbesitzer auf. Dieses Produkt ist nur für Privathaushalte oder ähnliche Anwendungszwecke vorgesehen:

- Personalküche in Geschäften, Büros und anderen Arbeitsumgebungen
- landwirtschaftliche Betriebe, Hotels, Motels und andere Wohnumgebungen
- Frühstückspensionen
- Party-Servicedienste und ähnliche nicht dem Einzelverkauf dienende Anwendungen.

Dieses Gerät darf nur zur Lagerung von Lebensmitteln benutzt werden. Jede andere Benutzung gilt als gefährlich und führt zum Haftungsausschluss des Herstellers. Darüber hinaus sollten Sie die Garantiebedingungen beachten.

SICHERHEITSHINWEISE

Bitte lesen Sie die Bedienungs- und Installationsanleitung sorgfältig durch! Sie enthalten wichtige Informationen, wie das Gerät installiert, verwendet und gewartet werden soll. Der Hersteller haftet nicht, wenn Sie die Anweisungen und Warnungen nicht beachten. Bewahren Sie die gesamte Dokumentation zum Nachschlagen oder für einen eventuellen späteren Besitzer auf.

- **Das Gerät erst dann an die Stromversorgung anschließen, wenn sämtliches Verpackungsmaterial und Transportschutzvorrichtungen entfernt wurden. Kinder von Verpackungsmaterial fernhalten.**
- **Erstickungsgefahr durch Faltschachteln und Kunststofffolie!**
- **Kontrollieren Sie bei der Anlieferung, dass das Gerät unbeschädigt ist und alle Teile sowie das Zubehör in einwandfreiem Zustand sind.**
- **Beschädigen Sie keinesfalls den Kühlkreislauf.**

- Halten Sie die Lüftungsöffnungen im Gehäuse des Geräts oder der Einbaustruktur frei von Verstopfungen.
- Reinigen Sie den Kompressor keinesfalls mit Wasser, sondern reiben Sie ihn mit einem trockenen Tuch gründlich ab, um Rostbildung zu vermeiden.
- Das Gerät immer mit mindestens zwei Personen transportieren, da es schwer ist.
- Installieren und richten Sie das Gerät in einem Bereich ein, der für seine Größe und Verwendung geeignet ist.
- Stellen Sie sicher, dass die elektrischen Informationen auf dem Typenschild der Stromversorgung entsprechen. Ist dies nicht der Fall, wenden Sie sich an einen Elektriker.
- Das Gerät wird über eine 220-240 V Wechselspannung/50 Hz betrieben. Unnormale Spannungsschwankungen könnten dazu führen, dass das Gerät nicht angeht, der Temperaturregler oder Kompressor beschädigt wird, oder dass während des Betriebs ein unnormales Geräusch auftritt. In einem solchen Fall ist ein automatischer Regler anzubringen.
- Nur für Großbritannien: Das Gerätenetzkabel ist mit einem 3-adrigen Stecker (Erdungsstecker) ausgestattet, der in eine 3-adrige Norm-Buchse (geerdet) passt. Den dritten Stift (Erdung) auf keinen Fall kappen

oder entfernen. Das Gerät muss so installiert werden, dass der Stecker zugänglich ist.

- Achten Sie darauf, dass sich das Netzkabel beim und nach dem Transportieren/Bewegen des Geräts nicht darunter verfängt, um eine etwaige Beschädigung zu vermeiden. Ein beschädigtes Netzkabel muss vom Hersteller, dem zugelassenen Kundendienst oder ähnlich qualifizierten Stellen ausgewechselt werden, um Gefahren vorzubeugen.
- Das Gerät darf weder an feuchten, öligen oder staubigen Orten installiert noch direkter Sonneneinstrahlung und Wasser ausgesetzt werden.
- Installieren Sie das Gerät nicht in der Nähe von Heizungen oder brennbaren Materialien
- FÜR Geräte mit Gefrierfach: Bei Stromausfall nicht die Klappe öffnen. Das Gefriergut sollte nicht beeinträchtigt werden, wenn der Stromausfall die auf dem Typenschild angegebenen Stunden (Temperaturanstiegszeit) nicht überdauert. Dauert der Stromausfall länger, sollten die Lebensmittel überprüft und sofort verzehrt oder gekocht und erneut eingefroren werden.
- Lässt sich die Klappe des Geräts schwierig öffnen, nachdem Sie diese gerade geschlossen haben, so ist dies normal. Dies liegt am Druckausgleich, der hergestellt wird. Die

Klappe lässt sich normalerweise nach wenigen Minuten wieder öffnen.

- **Keine Arzneimittel, Bakterien oder Chemikalien im Gerät lagern. Dieses Gerät ist ein Haushaltsgerät, es wird daher davon abgeraten, Materialien zu lagern, die extreme Temperaturen erfordern.**
- **Ziehen Sie nicht übermäßig stark am Stromkabel und fassen Sie den Stecker nicht mit feuchten Händen an.**
- **Bewahren Sie keine Produkte auf, die entzündliche Treibmittel (z. B. Sprühdosen) oder explosive Substanzen enthalten. Explosionsgefahr!**
- **Stellen Sie keine instabilen Gegenstände (schwere Gegenstände, mit Wasser gefüllte Behälter) auf den Kühlschrank, um Verletzungen durch Herunterfallen oder elektrische Schläge durch Kontakt mit Wasser zu vermeiden.**
- **Benutzen Sie keine elektrischen Vorrichtungen in den Lebensmittel-Lagerfächern des Geräts, sofern diese nicht ausdrücklich vom Hersteller empfohlen wurden.**
- **Berühren Sie nicht die inneren Kühlelemente, insbesondere nicht mit nassen Händen, um Risse oder Verletzungen zu vermeiden**
- **Gefährdet sind hier Kinder, Menschen mit eingeschränkten körperlichen, geistigen oder**

sensorischen Fähigkeiten sowie Menschen, die über unzureichende Kenntnisse in Bezug auf den sicheren Betrieb des Geräts verfügen.

Überprüfen Sie, ob Kinder und schutzbedürftige Menschen die Gefahren verstanden haben. Eine für die Sicherheit verantwortliche Person muss Kinder und gefährdete Personen, die das Gerät benutzen, überwachen oder instruieren. Nur Kinder ab 8 Jahren dürfen das Gerät benutzen."

- **Kinder dürfen keinesfalls mit dem Gerät spielen.**
- **Kinder im Alter von 3 bis 8 Jahren dürfen dieses Gerät befüllen und entleeren**
- **FÜR Geräte mit Gefrierfach: Keine abgefüllten oder konservierten Flüssigkeiten (insbesondere kohlenensäurehaltige Getränke) im Gefrierfach aufbewahren. Flaschen und Dosen können platzen!**
- **FÜR Geräte mit Gefrierfach: Tiefkühlware nie direkt aus dem Gefrierfach in den Mund nehmen. Es besteht die Gefahr einer Kälteverbrennung!**
- **Halten Sie Kunststoffteile und die Türdichtung frei von Öl und Fett. Andernfalls werden Kunststoffteile und die Türdichtung porös.**
- **Ziehen Sie den Netzstecker, bevor Sie am Gerät hantieren.**
- **Benutzen Sie außer den vom Hersteller empfohlenen Mitteln keine mechanischen**

Geräte oder andere Hilfsmittel, um den Abtauvorgang zu beschleunigen.

- **Benutzen Sie keine spitzen oder scharfkantigen Gegenstände wie Messer oder Gabeln, um Eisbildungen zu entfernen.**

Benutzen Sie keinesfalls Haartrockner, Elektroheizgeräte oder andere derartige Elektrogeräte, um das Gerät abzutauen.

- **Der Stecker sollte sauber gehalten werden, weil übermäßige Staubablagerungen auf dem Stecker zu einem Brand führen können.**
- **Versuchen Sie nicht, das Gerät selbst zu reparieren, zu zerlegen oder zu verändern. Bei Reparaturen wenden Sie sich immer an unseren Kundenservice.**
- **Kinder überwachen, während das Gerät gereinigt oder gewartet wird.**
- **Die kalten Einlegeböden aus Glas nicht mit heißem Wasser reinigen. Plötzliche Temperaturschwankungen können dazu führen, dass das Glas zerspringt.**
- **WARNUNG: Die Rohre des Kühlkreislaufs enthalten eine geringe Menge eines umweltfreundlichen, aber brennbaren Kältemittels (R600a) und ein Schaumtreibmittel (Cyclopentan). Es schädigt nicht die Ozonschicht und erhöht nicht den Treibhauseffekt. Wenn das Kältemittel**

entweicht, kann es Ihre Augen schädigen oder sich entzünden.

- **Wenn der Kühlkreislauf beschädigt wird:**
 - Schalten Sie das Gerät aus und ziehen Sie den Netzstecker.
 - Halten Sie offene Flammen und/oder Zündquellen vom Gerät fern.
 - Lüften Sie den Raum einige Minuten lang gründlich.
 - Informieren Sie den Kundendienst.
- **WARNUNG: Den Netzstecker und/oder das Netzkabel nicht beschädigen - Stromschlag- und Brandgefahr!**
- **WARNUNG: Keine Mehrfachsteckdosen oder Verlängerungen verwenden.**
Keine Verlängerungskabel und Mehrfachsteckleisten verwenden.
- **Sich nicht auf das Gerät stellen oder darauf sitzen. Dies könnte zu Personenschäden führen oder das Gerät beschädigen. Dieses Gerät ist nicht geeignet, um darauf oder darunter weitere Geräte zu stapeln.**
- **Dieses Gerät ist ausschließlich für den Einsatz in einem Privathaushalt konzipiert und gefertigt.**
- **Es dürfen nur Originalteile verwendet werden, die vom Hersteller geliefert werden. Der Hersteller garantiert, dass nur diese Teile die Sicherheitsanforderungen erfüllen.**

- Ein längeres Öffnen der Tür kann zu einem deutlichen Temperaturanstieg in den Fächern des Gerätes führen.
- Reinigen Sie regelmäßig Oberflächen, die mit Lebensmitteln in Berührung kommen können, sowie zugängliche Drainagesysteme
- Reinigen Sie die Wasserbehälter, falls sie 48 Stunden lang nicht benutzt wurden; spülen Sie das an einer Wasserleitung angeschlossene Wassersystem durch, falls 5 Tage lang kein Wasser eingespeist wurde
- Lagern Sie rohes Fleisch und Fisch in geeigneten Behältern im Kühlschrank, damit diese nicht mit anderen Lebensmitteln in Berührung kommen oder auf diese tropfen
- Zwei-Sterne-Tiefkühlfächer (sofern vorhanden) eignen sich für die Lagerung von vorgefrorenen Lebensmitteln, die Lagerung oder Herstellung von Eiscreme und die Herstellung von Eiswürfeln
- Ein-, Zwei- und Drei-Sterne-Fächer (sofern vorhanden) sind nicht für das Einfrieren von frischen Lebensmitteln geeignet
- Falls das Gerät über einen längeren Zeitraum leer bleibt, schalten Sie es aus, tauen es ab, reinigen und trocknen es, und lassen dann die Tür offen, um Schimmelbildung im Gerät zu vermeiden

- **Für Weinlagerschränke: Dieses Gerät ist ausschließlich zur Lagerung von Wein bestimmt**
- **Für freistehende Geräte: Dieses Kühlgerät ist nicht für die Verwendung als Einbaugerät bestimmt**
- **Für Geräte ohne 4-Sterne-Fach: Dieses Kühlgerät ist nicht für das Einfrieren von Lebensmitteln geeignet**

Geräteentsorgung



Dieses Gerät ist entsprechend der EU-Richtlinie 2012/19/EC für Elektro- und Elektronik-Altgeräte (WEEE) gekennzeichnet.

Elektro- und Elektronik-Altgeräte enthalten sowohl umweltschädliche Stoffe (die negativen Folgen für die Umwelt verursachen) und grundlegenden Komponenten (die wiederverwendet werden können). Es ist wichtig, Elektro- und Elektronik-Altgeräte spezifischen Behandlungen zu unterziehen, um alle Schadstoffe zu entfernen und ordnungsgemäß zu entsorgen sowie alle Materialien zu recyceln.

Einzelpersonen können eine wichtige Rolle dabei spielen, aus Elektro- und Elektronik-Altgeräten kein Umweltproblem zu machen, da die Einhaltung einiger Grundregeln unerlässlich ist:

- Elektro- und Elektronik-Altgeräte dürfen nicht als Hausmüll entsorgt werden;
- Elektro- und Elektronik-Altgeräte müssen den entsprechenden Sammelstellen der Gemeinde oder davon registrierten Unternehmen übergeben. Viele Länder bieten möglicherweise die Abholung zu Hause für große Elektro- und Elektronik-Altgeräte.

In vielen Ländern können beim Kauf eines neuen Geräts Altgeräte an Händler, die einen kostenlosen 1-zu-1-Umtausch vornehmen müssen, zurückgegeben werden, solange das Gerät demselben Typ entspricht und über die gleichen Funktionen wie das bereitgestellte Gerät verfügt.

Konformität

Mit der Verwendung des **CE**-Kennzeichens auf diesem Produkt bestätigen wir, dass sämtliche relevanten Sicherheits-, Gesundheits- und Umweltvorschriften eingehalten werden, die für dieses Produkt in Europa gesetzlich festgelegt sind.

Garantie

Die Mindestgarantie beträgt: 2 Jahre für EU-Länder, 3 Jahre für die Türkei, 1 Jahr für Großbritannien, 1 Jahr für Russland, 3 Jahre für Schweden, 2 Jahre für Serbien, 5 Jahre für Norwegen, 1 Jahr für Marokko, 6 Monate für Algerien. Tunesien keine gesetzliche Garantie erforderlich.

Energieeinsparung

Empfehlungen für eine optimale Energieeinsparung:

- Installieren Sie das Gerät nicht in der Nähe von Wärmequellen, setzen Sie es nicht direkter Sonneneinstrahlung aus, und sorgen Sie für ausreichende Luftzirkulation.
- Legen Sie keine heißen Lebensmittel in den Kühlschrank, um einen Anstieg der Innentemperatur und den andauernden Betrieb des Kompressors zu vermeiden.
- Lagern Sie nicht zu viele Lebensmittel, um eine ausreichende Luftzirkulation zu gewährleisten.
- Tauen Sie das Gerät ab, falls sich Eis gebildet hat, um die Kühlung zu erleichtern.
- Bei einem Stromausfall sollte die Kühlschranktür geschlossen gehalten werden.
- Die Tür sollte nur möglichst kurz geöffnet werden oder offenstehen.
- Stellen Sie den Thermostat nicht auf zu niedrige Temperaturen ein.
- Entfernen Sie Staubablagerungen auf der Geräterückseite.

Weitere Informationen zum Produkt erhalten Sie unter <https://eprel.ec.europa.eu/> oder scannen Sie den QR auf dem mit dem Gerät gelieferten Energieetikett

Vor der ersten Inbetriebnahme

Vor dem ersten Einschalten muss sich der Tiefkühlschrank mindestens vier Stunden lang absetzen.

Es wird empfohlen, den Innenraum des Geräts vor dem ersten Gebrauch mit einer Natronlauge und warmem Wasser zu reinigen und dann gründlich zu trocknen.

Bei Erstgebrauch kann der Tiefkühlschrank unangenehm riechen. Dieser Geruch wird verschwinden, sobald das Gerät abgekühlt ist.

Bitte beachten Sie:

Das Gerät startet bei einer Temperatureinstellung von 3⁰ und kühlt kontinuierlich, bis die richtige Temperatur erreicht ist.

Wenn das Gerät ausgeschaltet ist, sollten Sie vor dem erneuten Einschalten fünf Minuten verstreichen lassen, um unnötige Beschädigungen des Kompressors zu vermeiden.

Keine brennbaren oder explosiven Gegenstände und keine starken korrosiven Säuren oder Basen im Kühlschrank aufbewahren.

In diesem Tiefkühlschrank werden Ihre Lebensmittel gekühlt, indem die Rückseite des Innenraums abgekühlt wird. Es ist normal, dass sich auf dieser Oberfläche Frost bildet; er wird dann aufgetaut und durch einen kleinen Ablauf an der Unterseite abgelassen, wo er unschädlich verdampft. Eine gewisse Frostbildung ist keine Störung des Tiefkühlschranks.

Nutzung des Tiefkühlschranks

- Die Gefrierfächer sind ausschließlich für die Aufbewahrung gefrorener Lebensmittel vorgesehen.
- Stellen Sie niemals heiße oder warme Lebensmittel in die Kühltruhe, lassen Sie diese vollständig abkühlen, bevor Sie sie in die Kühltruhe stellen.
- Beachten Sie die Anweisungen auf der Verpackung von Lebensmitteln zur Lagerung gefrorener Lebensmittel. Sind keine Angaben vorhanden, sollten die Lebensmittel nicht länger als drei Monate nach dem Kaufdatum gelagert werden.
- Lagern Sie Lebensmittel in kleinen Verpackungen (idealerweise unter 2,5 kg). Dies verringert die Gefrierzeit und verbessert die Qualität der Lebensmittel nach dem Auftauen.
- Packen Sie Lebensmittel ein, bevor Sie sie in die Kühltruhe legen. Um zu verhindern, dass die Verpackungen zusammenkleben, müssen Sie sicherstellen, dass sie trocken sind.
- Etikettieren Sie das Lebensmittel vor dem Einfrieren mit Angaben über die Art des Lebensmittels, Datum des Einfrierens und Haltbarkeitsdatum.
- Nach dem Auftauen von Lebensmitteln dürfen diese nur dann wiedereingefroren werden, wenn sie vollständig gegart wurden. Nur so viele Lebensmittel auftauen, wie Sie verbrauchen, um Verschwendung zu vermeiden.
- Getränke in Flaschen oder Dosen sollten nicht in den Tiefkühlfächern aufbewahrt werden, weil sie explodieren könnten.
- Überprüfen Sie auf dem Typenschild die Höchstmenge frischer Lebensmittel, die innerhalb von 24 Stunden eingefroren werden kann.

Versuchen Sie nicht, mehr als diese maximale Menge einzufrieren.

Lagerung

Das Tiefkühlfach ist für die kurzfristige Lagerung von Lebensmitteln bestimmt. Obwohl niedrige Temperaturen aufrechterhalten werden können, wird eine längere Lagerungszeit nicht empfohlen.

Wenn die kalte Luft im Tiefkühlschrank zirkuliert, kann die Temperatur zwischen den verschiedenen Bereichen variieren. Lebensmittel sollten daher je nach Art und Haltbarkeit in unterschiedlichen Bereichen gelagert werden.

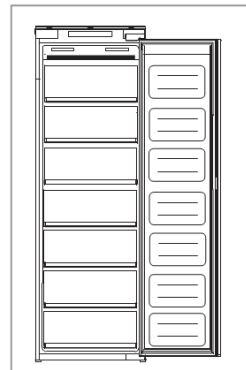
Die unteren Abschnitte sind die kältesten Teile des Tiefkühlfachs.

Die beiden oberen Abschnitte verfügen über schwenkbare Klappen, die offen bleiben, um das Be- und Entladen zu erleichtern. Die übrigen 5 Abschnitte sind Schubladen.

Die 6. Einstellung auf dem Bedienfeld, dargestellt durch die Schneeflocke (Abb. 2), ist eine Supereinfrierfunktion. Diese sollte verwendet werden, wenn große Mengen von Lebensmitteln gleichzeitig eingefroren werden. Aktivieren Sie diese Funktion 2 oder 3 Stunden, bevor Sie das einzufrierende Lebensmittel eingeben und lassen Sie sie nicht länger als nötig laufen.

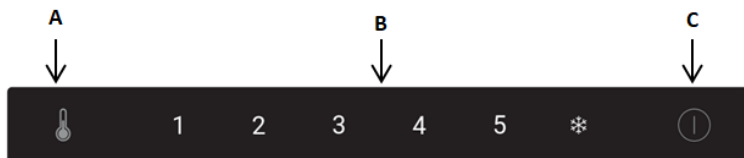
Wenn das Kühlsystem länger läuft, wird es unnötig belastet. Die Funktion wird nach ungefähr 24 Stunden automatisch deaktiviert. Abb. 2

Die energiesparendste Konfiguration erfordert den Einsatz von Schubladen, Lebensmittelboxen und Regalböden im Produkt, siehe die obigen Bilder.



- Es wird empfohlen, die Temperatur im Gefrierfach auf -18 °C einzustellen.
- Bei Tiefkühlkost ist auf die auf der Lebensmittelverpackung angegebene Aufbewahrungszeit zu achten. Diese Aufbewahrungszeit wird erreicht, wenn bei den Einstellungen die Referenztemperaturen für das Fach beachtet werden (1 Stern: -6 °C, 2 Sterne: -12 °C, 3 Sterne: -18 °C).

Bedienfeld



A. Tiefkühlschrank-Temperatur-Einstellungssensor

Über diese Taste kann die Temperatur im Tiefkühlschrank eingestellt werden. Drücken Sie diesen Sensor einmal, um die Einstellung zu aktivieren, und dann so oft wie nötig, bis die gewünschte Stufe ausgewählt ist. Die Einstellungen reichen von 1 bis 6, wobei 1 die wärmste und „Super Freeze“ die kälteste Temperatur ist.

Bitte beachten Sie: Vermieden Sie nach Möglichkeit den Dauerbetrieb in der Temperatureinstellung 5 oder in der Supereinfrierfunktion (Schneeflocke). Dadurch entlasten Sie Kompressor und System.

B. Anzeige der Temperatureinstellung des Tiefkühlschranks

Die Leuchtanzeige zeigt die aktuelle Temperatureinstellung an. Durch diese Anzeige wird die Temperatur angepasst.

Bitte beachten Sie: Sie verwenden nicht die Nummern 1 bis 5 oder die Schneeflocke, um die Temperatur zu ändern. Verwenden Sie stattdessen den Einstellsensor für die Tiefkühlschranktemperatur (A).

Stellung	Temperaturbedingung
1-2	Sommer oder Raumtemperatur zwischen 25-35°C
3-4	Frühling, Herbst oder Raumtemperatur zwischen 15-25°C
5	Winter oder Raumtemperatur zwischen 5-15°C
Super-freezing	Schnell-Einfrieren

C. Einschalt-Taste

Drücken Sie den Sensor einmal, um die Funktion zu aktivieren, und halten Sie ihn dann 3 Sekunden lang gedrückt, um das Gerät ein- oder auszuschalten.

Dieses Produkt verfügt nicht über eine Speicherfunktion beim Ausschalten oder bei einem Stromausfall.

Pflege und Reinigung

Trennen Sie das Gerät immer von der Stromversorgung, bevor Sie es reinigen oder warten.

Die Schubladenbereiche sollten mit einer Lösung aus Natron und lauwarmem Wasser gereinigt werden. Verwenden Sie keine Scheuermittel. Nach dem Reinigen spülen und gründlich abtrocknen.

Reinigen Sie die Fächer separat per Hand mit einer milden Lösung aus Spülmittel und Wasser. Verwenden Sie keine Scheuermittel.

Wenn das Gerät längere Zeit nicht benutzt werden soll, ziehen Sie den Stecker aus der Steckdose und reinigen Sie das Gerät. Die Türen sollten einen Spalt breit geöffnet gelassen werden, um die Bildung von unangenehmen Gerüchen zu verhindern.

Abtauen des Tiefkühlschranks

Der Tiefkühlschrank hat ein No-Frost-System, das die übermäßige Bildung von Eis verhindern soll. Bei normaler Benutzung muss das Tiefkühlsystem nicht regelmäßig abgetaut werden.

Bitte beachten Sie: Wenn Sie regelmäßig eine übermäßige Eisschicht oder Wasserpfützen im Tiefkühlbereich feststellen, kann es sein, dass die Tür nicht richtig dicht ist. Dies könnte auf eine defekte Türdichtung oder eine falsch montierte oder zu schwere Dekortür zurückzuführen sein.

Weitere Informationen finden Sie im Abschnitt „Fehlersuche und -behebung“ unter dem Stichpunkt Eis.

Bitte beachten Sie: Wenn Sie regelmäßig Wasserpfützen oder Frostbildungen im Tiefkühlschrank feststellen oder wenn der Kompressor immer läuft, dichtet wahrscheinlich, die Tür nicht richtig ab. Dies könnte auf eine defekte Türdichtung oder eine falsch montierte oder zu schwere Dekortür zurückzuführen sein. Weitere Informationen finden Sie im Abschnitt „Fehlersuche und -behebung“ auf Seite 12 unter dem Stichpunkt Eis.

Verfügbarkeit von ersatzteilen

- Thermostate, Temperatursensoren, Leiterplatten und Lichtquellen sind nach dem Inverkehrbringen der letzten Einheit des Modells mindestens sieben Jahre lang verfügbar.
- Türgriffe, Türscharniere, Tablets und Körbe für einen Zeitraum von mindestens sieben Jahren und Türdichtungen für einen Zeitraum von mindestens zehn Jahren, nachdem die letzte Einheit des Modells auf den Markt gebracht wurde

Fehlerbehebung

Wenn Sie Probleme mit dem Gerät haben, sollten Sie zuerst den Abschnitt Fehlersuche und -behebung durchlesen, bevor Sie den Montpellier Kundendienst anrufen.

Wenn das Gerät nicht funktioniert, überprüfen Sie Folgendes:

- Wird das Gerät ordnungsgemäß mit Strom versorgt?
- Sind die Haussicherungen alle intakt und ist die Sicherung im Stecker nicht durchgebrannt?
- Wurde der Tiefkühlschrank ausgeschaltet?
- Funktioniert die Steckdose ordnungsgemäß? Schließen Sie dazu ein anderes Elektrogerät an die Steckdose an, um zu sehen, ob sie wirklich defekt ist.

Wenn das Gerät zwar funktioniert, aber nicht richtig, überprüfen Sie Folgendes:

- Ist das Gerät überlastet?
- Ist das Thermostat auf eine geeignete Temperatur eingestellt?
- Schließen die Türen richtig?
- Ist das Kühlsystem an der Geräterückseite sauber und staubfrei und berührt es nicht die dahinter liegende Wand?
- Ist an den Seiten- und Rückwänden eine ausreichende Belüftung vorhanden?
- Dies kann daran liegen, dass die Dekortür (en) nicht richtig montiert wurde(n), was dazu führt, dass die Tiefkühlschrantür nicht richtig schließt und daher warme Luft einlässt. Wenn Sie vollkommen unsicher sind, bitten Sie Ihren Monteur, die Dekortüren zu überprüfen.

Wenn das Gerät laut ist, überprüfen Sie Folgendes:

- Steht das Gerät waagrecht und stabil?
- Sind Seiten- und Rückwände frei und sind auf dem Gerät keine Gegenstände abgestellt?
- Hinweis: Das Kühlgas im Tiefkühlschrank kann auch dann leichte Blubber- oder Gurgelgeräusche verursachen, wenn der Kompressor nicht in Betrieb ist.

Wenn das Gerät piept, überprüfen Sie Folgendes:

- Ist die Tür geschlossen?

Wenn sich Wasser in der Bodenfläche des Tiefkühlschranks befindet, überprüfen Sie Folgendes:

- Überprüfen Sie, ob beim Öffnen der Tiefkühlschrantür etwas Widerstand besteht. Wenn sie sich bei der kleinsten Berührung öffnet, bedeutet das möglicherweise, dass die Türdichtung ersetzt werden muss.
- Überprüfen Sie die Türdichtung auf Knicke, Schmutz oder Beschädigungen. Sollten Sie eines dieser Probleme feststellen und nicht selbst beheben können, wenden Sie sich bitte an den Kundendienst, damit dieser die Dichtung ersetzen kann.
- Dies kann daran liegen, dass die Dekortüren nicht richtig montiert wurden. Wenn Sie vollkommen unsicher sind, bitten Sie Ihren Monteur, die Dekortüren zu überprüfen.

Wenn sich im Tiefkühlschrank übermäßig viel Eis gebildet hat:

- Es ist normal, dass sich etwas Eis im Tiefkühlschrank bildet. Dies stellt keinen Fehler am Gerät dar.
- Überprüfen Sie, ob beim Öffnen der Tiefkühlschrantür etwas Widerstand besteht. Wenn sie sich bei der kleinsten Berührung öffnet, bedeutet das möglicherweise, dass die Türdichtung ersetzt werden muss.
- Überprüfen Sie die Türdichtung auf Knicke, Schmutz oder Beschädigungen. Sollten Sie eines dieser Probleme feststellen und nicht selbst beheben können, wenden Sie sich bitte an den Kundendienst, damit dieser die Dichtung ersetzen kann.
- Dies kann daran liegen, dass die Dekortüren nicht richtig montiert wurden. Wenn Sie vollkommen unsicher sind, bitten Sie Ihren Monteur, die Dekortüren zu überprüfen.

Technische unterstützung

Um die technische Unterstützung zu kontaktieren, besuchen Sie unsere Website: <https://corporate.haier-europe.com/en/> . Wählen Sie im Bereich „Website“ die Marke Ihres Produkts und Ihr Land aus. Sie werden auf die jeweilige Website weitergeleitet, auf der Sie die Telefonnummer und das Formular finden, um die technische Unterstützung zu kontaktieren

Installation

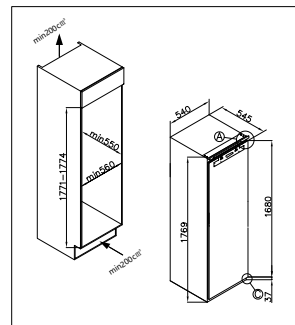
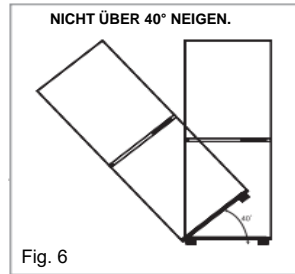
Dieses Gerät darf niemals in der Nähe von Hitzequellen installiert werden, beispielsweise nicht in der Nähe von Heizelementen oder Herden oder an feuchten Orten.

Lassen Sie sich bei der Installation dieses Geräts von einer oder zwei weiteren Personen helfen. Dieses Gerät kann scharfe Kanten haben. Tragen Sie für Aufgabe und Umgebung angemessene Persönliche Schutzausrüstung.

- Mit den höhenverstellbaren Füßen an der Vorderseite des Geräts sorgen Sie dafür, dass das Gerät eben steht.
- Das Kühlsystem an der Geräterückseite darf die dahinter liegende Wand nicht berühren. Je größer die Lücke zwischen Geräterückseite und Wand, desto besser.
- Das Gerät muss mit ausreichender Belüftung installiert werden. Sorgen Sie dafür, dass über dem Gerät Luft entweichen kann und dass zwischen Geräterückseite und Wand ausreichend Platz vorhanden ist.

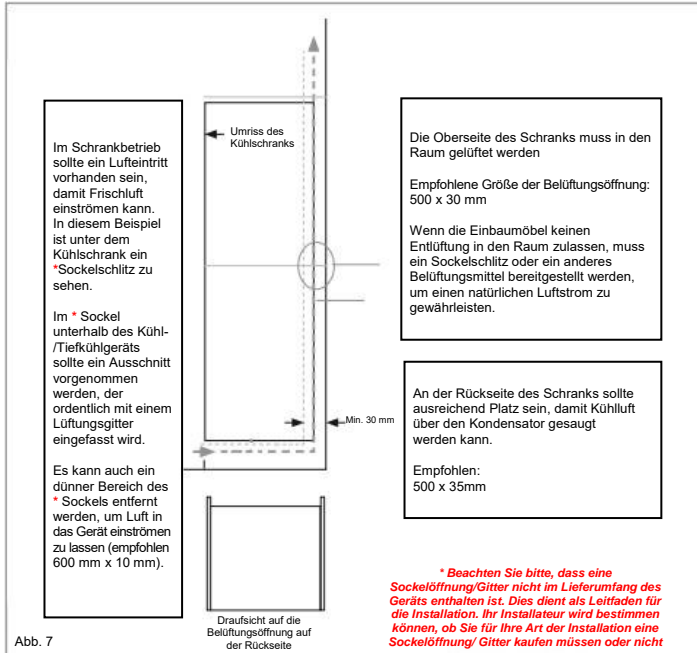
Stellen Sie das Gerät an einem Ort auf, an dem die Umgebungstemperatur der auf dem Typenschild des Geräts angegebenen Klimaklasse entspricht:

- Erweiterte gemäßigte Zone (SN): „Dieses Kühlgerät ist für die Verwendung bei Umgebungstemperaturen von 10 °C bis 32 °C bestimmt.“
- Gemäßigte Zone (N): „Dieses Kühlgerät ist für die Verwendung bei Umgebungstemperaturen von 16 °C bis 32 °C bestimmt.“
- Subtropische Zone (ST): „Dieses Kühlgerät ist für die Verwendung bei Umgebungstemperaturen von 16 °C bis 38 °C bestimmt.“
- Tropische Zone (T): „Dieses Kühlgerät ist für die Verwendung bei Umgebungstemperaturen von 16 °C bis 43 °C bestimmt.“



Belüftung

Der wichtigste Punkt bei der Installation von Kühlgeräten in eine Einbauküche ist die Belüftung. Die vom Kühlbereich abgezogene Wärme muss in die Atmosphäre abgegeben werden. Eine fehlerhafte Belüftung kann zu einem vorzeitigen Kompressorfehler, einem übermäßigen Stromverbrauch oder einem Gesamtsystemfehler führen und kann die mit dem Gerät bereitgestellte Garantie ungültig machen. Bei Produkten, die in eine große Gehäuseeinheit eingebaut werden sollen, müssen die folgenden Voraussetzungen erfüllt sein:



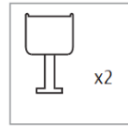
Der offene Kanal an der Rückseite ist deutlich sichtbar dargestellt. Für den ordnungsgemäßen Betrieb des Geräts ist es wichtig, dass die Oberseite des Gehäuses nicht blockiert ist. Bei den meisten Geräten ist eine Kanaltiefe von 40-50 mm normal.

Am Sockel des Geräts ist eine Belüftungsöffnung erforderlich, damit die Luft über den Kompressor und den Wärmetauscher gesaugt werden kann. Der erforderliche Luftstrom kann durch Entfernen eines dünnen Sockelabschnitts (mindestens 600 mm x 10 mm empfohlen) erreicht werden.

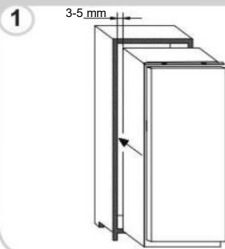
Je mehr Luft ein- und austreten kann, desto besser und effizienter ist der Betrieb des Produkts.

Einbau in den Schrank

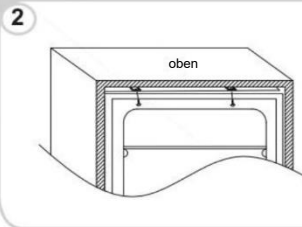
Schieben Sie das Gerät mit Hilfe einer oder zwei anderer Personen in den Schrank. Am Boden des Geräts befinden sich zwei Metallplatten. Bringen Sie die mitgelieferten weißen Abstandhalter (Abb. 8) auf diese Platten, wie in Abb. 9 dargestellt.



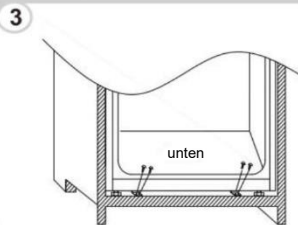
Das Gerät so in den Korpus stellen, dass an der Seite der Scharniere 3 bis 5 mm Freiraum bleiben



Nachdem Sie Gerätetür und Korpusfront aufeinander abgestimmt haben, befestigen Sie die Kunststoffabdeckungen aus dem Zubehörbeutel.



Schrauben Sie den Geräteboden fest.



Bringen Sie die Dichtung des Geräts an und schneiden Sie gegebenenfalls überschüssige Teile ab. Bringen Sie an den unteren Teilen die Kunststoffabdeckungen an.

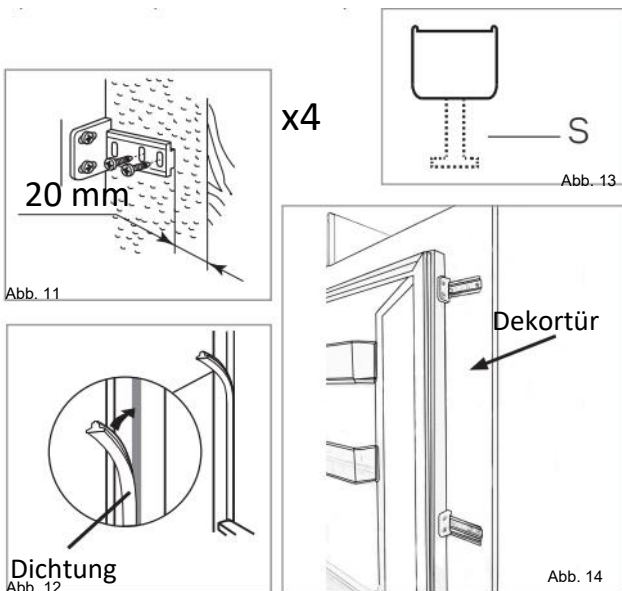


Achten Sie darauf, dass die Ränder der Abstandhalter waagrecht mit der Rändern des Schrankbodens sind.

Montage der Stirntür

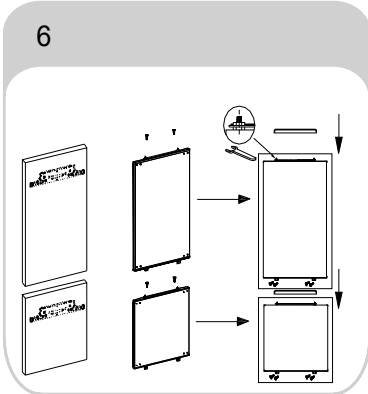
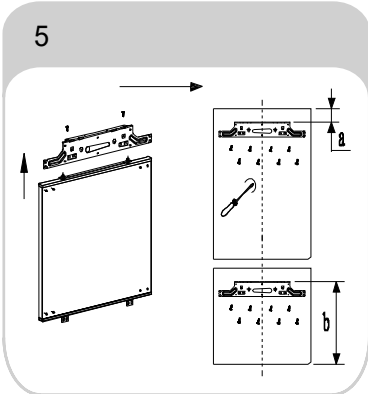
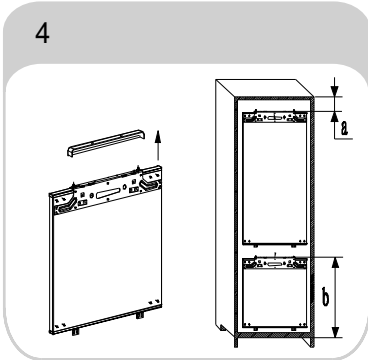
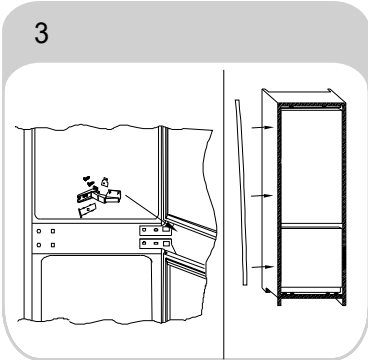
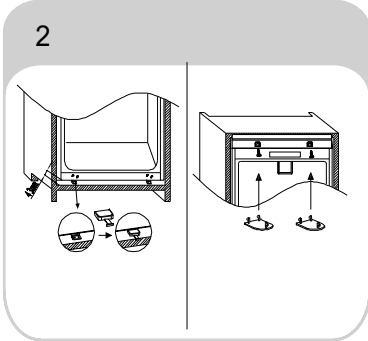
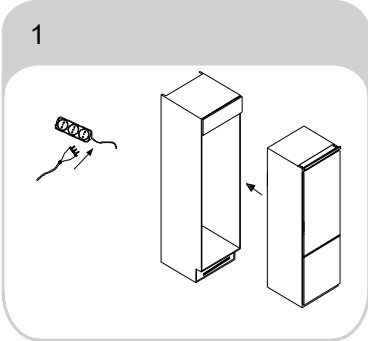
- Zwischen der Seite ohne Scharniere und der Korpuswand muss ein Abstand von 3 bis 4 mm vorhanden sein.
- Den Schieberegler in die Halterung einschieben und den Schieberegler 20 bis 22 mm vom Rand des Gehäuses entfernt an der Klappe befestigen, wie in Abb. 11 dargestellt, wobei sicherzustellen ist, dass sich der Schieberegler in der Mitte und waagrecht in der Halterung befindet. Fest von Hand anziehen.
- Die Lücke auf der Seite ohne Scharniere mit dem beiliegenden Dichtungs-/Dichtstreifen füllen, wie in Abb. 12 dargestellt.
- Die fertige Ansicht der Türschieber sollte denen in der Abbildung 14 ähnlich sein, die 2 montierte Schieberegler zeigt.
- **Stellen Sie sicher, dass sich die Gerätetüren ordnungsgemäß öffnen und schließen lassen und dicht sind.**

Wenn Sie nach Abschluss der Montage mit dem Einpassen des Geräts in den Schrank zufrieden sind, biegen Sie die Teile der weißen Abstandhalter, die mit „S“ gekennzeichnet sind und lassen Sie sie einrasten, wie in der gepunkteten Umrisslinie in Abb. 13 dargestellt. Lassen Sie die restliche Abdeckung der Abstandshalter über den Metallplatten.



Wichtig: Prüfen Sie nach Abschluss der Montage, ob das Gerät im Schrank gesichert ist und ob die Tür/die Türen richtig schließen und öffnen. Wenn beim Öffnen der Türen kein Widerstand gegen die Türdichtung zu spüren ist, ist das Gerät und/oder die Dekortüren wahrscheinlich nicht richtig montiert worden.

Montageanleitung für Produkte mit festen Scharnieren.

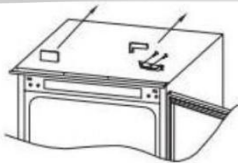


Türanschlag Ihres Geräts ändern

Wir empfehlen Ihnen, sich bei der Durchführung dieser Arbeit von einer anderen Person helfen zu lassen, um die Türen zu stützen. Tragen Sie für die durchzuführenden Arbeiten stets die angemessene persönliche Schutzausrüstung. Bereiten Sie eine Oberfläche mit einem weichen, sauberen Tuch oder Ähnlichem vor, wo Sie die Tür während dieser Schritte platzieren können.

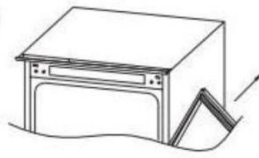
Abdeckung des rechten oberen Scharniers und Scharnier mit Schraubendreher entfernen.

1



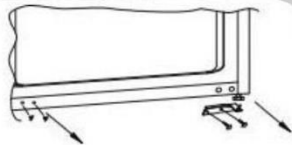
Entfernen Sie die Tür.

2



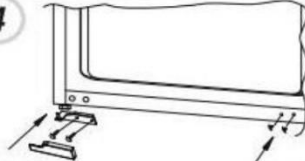
Nehmen Sie das rechte untere Scharnier und die linken Kunststoffstecker heraus und bringen Sie sie auf der gegenüberliegenden Seite neu an.

3



Montieren Sie das rechte obere Scharnier links unten und befestigen Sie die Abdeckung.

4



Setzen Sie die Tür auf dem unteren Scharnier ein und montieren Sie das untere Scharnier nach oben, um sicherzustellen, dass 1-2-3 sehr nah sind.

5



Achten Sie darauf, dass die Türdichtungen korrekt sind:

Es ist normal, dass die Dichtung nach dem Ändern des Türanschlags zusammengedrückt wird. Verwenden Sie bei geschlossener Tür einen Föhn, um die Dichtung zu erweitern und den Abstand zwischen Tür und Gerätekorpus zu füllen.

Achten Sie darauf, den Föhn nicht zu nah am Gerät zu benutzen, was die Dichtung beschädigen könnte. Ein Abstand von etwa 10 cm sollte ausreichend sein.

Lassen Sie die Dichtung und die Tür danach erst abkühlen, bevor Sie sie berühren. Anschließend sollte die Dichtung in ihrer Position bleiben.

ÍNDICE

INFORMACIÓN DE SEGURIDAD	43
Desguace de electrodomésticos antiguos	51
Conformidad.....	52
Garantía	52
Ahorro energético	52
Antes del primer uso	53
Uso del congelador	53
Almacenamiento	54
Panel de control	54
Cuidado y limpieza	55
Descongelación del congelador.....	55
Disponibilidad de repuestos	56
Solución de problemas	56
Asistencia técnica	57
Instalación	57
Ventilación.....	58
Instalación en el armario	59
Montaje de la puerta frontal.....	60
Instrucciones de instalación para productos con bisagras fijas.....	61
Inversión de la puerta del aparato.....	62

Gracias por comprar este producto.

Antes de utilizar el frigorífico, lea con atención el manual de instrucciones para aprovechar al máximo sus prestaciones. Guarde toda la documentación para utilizarla más adelante o para otros propietarios. Este producto es para uso doméstico o para aplicaciones similares exclusivamente; por ejemplo:

- Cocina para el personal de tiendas, oficinas y otros lugares de trabajo
- Fincas rústicas, clientes de hoteles, moteles y otros entornos residenciales
- Habitaciones de huéspedes (Bed and Breakfasts)
- Servicios de catering y aplicaciones similares no destinadas a la venta al por menor

Este electrodoméstico solo debe utilizarse para conservar alimentos, cualquier otro uso se considera peligroso y el fabricante no se responsabilizará cuando se incumplan las instrucciones. Asimismo, se recomienda tomar nota de las condiciones de la garantía.

INFORMACIÓN DE SEGURIDAD

¡Lea atentamente las instrucciones de funcionamiento e instalación! Contienen información importante sobre cómo instalar, utilizar y mantener este electrodoméstico. El fabricante no se hace responsable si no cumple las instrucciones y advertencias. Guarde todos los documentos para consultas o propietarios futuros."

- **No conecte el electrodoméstico a la red eléctrica hasta retirar por completo todos los embalajes y protectores para el transporte. Mantenga a los niños alejados del embalaje y de sus partes. ¡Los cartones plegables y el film plástico suponen un peligro de asfixia!"**
- **Si el electrodoméstico se ha transportado en horizontal, espere al menos 4 horas antes de encenderlo para que el aceite del compresor se asiente.**
- **Cuando reciba el electrodoméstico, compruebe que no está dañado y que todos los componentes y accesorios se encuentran en perfecto estado.**

- **No dañe el circuito de refrigerante.**
- **Mantenga despejadas las ranuras de ventilación de la carcasa del electrodoméstico o de la estructura integrada.**
- **No utilice agua para limpiar la zona del compresor; pase meticulosamente un trapo seco después de limpiar para evitar que se oxide.**
- **Este electrodoméstico es pesado: manipúlelo con la ayuda de otra persona.**
- **Instale y nivele el electrodoméstico en un área adecuada para su tamaño y uso.**
- **Asegúrese de que la información eléctrica de la etiqueta de características coincida con la fuente de alimentación. Si no es así, póngase en contacto con un electricista.**
- **Este electrodoméstico funciona mediante una fuente de alimentación de 220-240 V CA/50 Hz. Una fluctuación anormal del voltaje puede provocar que el electrodoméstico no se ponga en marcha, o que se dañe el control de temperatura o el compresor, o que se oiga un ruido anormal durante el funcionamiento. En tal caso, se deberá instalar un regulador automático.**
- **Solo para el Reino Unido: El cable de alimentación de este electrodoméstico está equipado con un enchufe de 3 cables (a tierra)**

que se ajusta a una toma de corriente estándar de 3 cables (a tierra). No corte ni desmonte la tercera patilla (toma de tierra). Una vez instalado el electrodoméstico, el enchufe debe ser accesible.

- **Asegúrese de que el cable eléctrico no quede atrapado debajo del electrodoméstico durante y después de su transporte/traslado para evitar cortes o daños en el cable. Para evitar riesgos, el fabricante, su representante de servicio o cualquier otra persona cualificada deben cambiar cualquier cable de alimentación que esté dañado**
- **No instale el electrodoméstico en lugares húmedos, con grasa o polvo, ni lo exponga a la luz solar directa y al agua.**
- **No instale el electrodoméstico cerca de calentadores o materiales inflamables.**
- **PARA electrodomésticos con compartimento congelador: en caso de corte del suministro eléctrico, no abra la puerta. Los alimentos congelados no deben verse afectados si el corte dura menos que las horas indicadas en la etiqueta de valores máximos (tiempo de aumento de la temperatura). Si el corte se prolonga durante más tiempo, deberá procederse a la comprobación de los alimentos y consumirse de inmediato; también se pueden cocinar y volver a congelar.**

- **Si le resulta difícil abrir la puerta del electrodoméstico justo después de cerrarla, no se preocupe. Esto se debe a la diferencia de presión que deberá ecualizarse para permitir que la puerta vuelva a abrirse normalmente transcurridos unos minutos.**
- **No almacene medicamentos, bacterias ni agentes químicos en el electrodoméstico. Este aparato es un electrodoméstico: no se recomienda almacenar materiales que requieran temperaturas extremas.**
- **No tire del cable ni doble demasiado; tampoco debe tocar el enchufe con las manos mojadas.**
- **No almacene productos que contengan propelentes inflamables (p.ej.: aerosoles) o sustancias explosivas en el electrodoméstico. ¡Peligro de explosión!**
- **No coloque artículos inestables (objetos pesados, recipientes llenos de agua) en la parte superior del frigorífico, a fin de evitar lesiones personales causadas por caídas o descargas eléctricas causadas por el contacto con el agua.**
- **No utilice aparatos eléctricos dentro de los compartimentos para la conservación de alimentos del electrodoméstico, a menos que sean del tipo que recomienda el fabricante.**
- **Para evitar cortes o lesiones, no toque los elementos internos de refrigeración, sobre todo con las manos húmedas.**

- **Aquí están en riesgo los niños, las personas con capacidades físicas, mentales o sensoriales limitadas y las personas con conocimientos inadecuados sobre el funcionamiento seguro de este electrodoméstico. Compruebe que los niños y las personas vulnerables hayan entendido los riesgos. Una persona responsable de la seguridad debe supervisar o instruir a los niños y a las personas vulnerables que utilicen este electrodoméstico. Solo los niños mayores de 8 años pueden usar este electrodoméstico.**
- **Los niños no deben jugar con el electrodoméstico**
- **Está permitido que los niños de 3 a 8 años de edad carguen o descarguen este aparato.**
- **PARA electrodomésticos con compartimento congelador: no almacene líquidos embotellados o enlatados (especialmente bebidas carbonatadas) en el congelador. ¡Las botellas y latas pueden explotar!**
- **PARA electrodomésticos con compartimento congelador: nunca se ponga alimentos congelados en la boca directamente desde el congelador. ¡Peligro de quemaduras por baja temperatura!**
- **Mantenga las piezas de plástico y la junta de la puerta limpias de aceite y grasa. De lo**

contrario, las partes plásticas y la junta de la puerta se volverán porosas.

- **Antes de realizar cualquier operación, desconecte el cable eléctrico de la toma de corriente.**
- **No utilice aparatos mecánicos ni otros medios para acelerar el proceso de descongelación y siga las recomendaciones del fabricante.**
- **No utilice objetos afilados o puntiagudos, como cuchillos o tenedores, para quitar el hielo. Nunca utilice secadores de pelo, calentadores eléctricos u otros aparatos eléctricos para descongelar el electrodoméstico.**
- **Se recomienda mantener limpio el enchufe. Cualquier acumulación excesiva de polvo en el enchufe podría originar un incendio.**
- **No intente reparar, desmontar o modificar este electrodoméstico por su cuenta. En caso de necesitar reparación, póngase siempre en contacto con nuestro servicio de atención al cliente.**
- **Supervise a los niños mientras se realizan tareas de limpieza o mantenimiento en el electrodoméstico.**
- **No limpie los estantes de cristal fríos con agua caliente. El cambio repentino de temperatura puede causar que el vidrio se rompa.**

- **ADVERTENCIA:** Los tubos del circuito de refrigeración transportan una pequeña cantidad de refrigerante ecológico pero inflamable (R600a) y gas aislante (ciclopentano). No daña la capa de ozono y no aumenta el efecto invernadero. Si se producen fugas de refrigerante, este puede causar lesiones en los ojos o inflamarse.
- En caso de producirse daños en el circuito de refrigerante:
 - Apague el electrodoméstico y desenchúfelo de la red eléctrica.
 - Mantenga las llamas abiertas y/o las fuentes de ignición alejadas del electrodoméstico.
 - Ventile la habitación durante varios minutos.
 - Informe al servicio de atención al cliente.
- **ADVERTENCIA:** No dañe el enchufe o el cable de alimentación; esto podría provocar incendios o descargas eléctricas.
- **ADVERTENCIA:** No utilice tomas de corriente múltiples portátiles ni fuentes de alimentación portátiles. No recomendamos el uso de cables prolongadores ni adaptadores con varias tomas.
- No intente sentarse o ponerse de pie en la parte superior del electrodoméstico. Esto podría dañarlo o sufrir lesiones personales. Este electrodoméstico no se puede instalar apilado sobre otro.

- **El electrodoméstico es un producto diseñado y fabricado para el uso doméstico.**
- **Solo pueden usarse piezas originales suministradas por el fabricante. El fabricante garantiza que solo estas piezas cumplen los requisitos de seguridad.**
- **Abrir la puerta durante un tiempo prolongado puede provocar un aumento significativo de la temperatura en los compartimentos del electrodoméstico**
- **Limpie regularmente las superficies que puedan entrar en contacto con alimentos y sistemas de drenaje accesibles**
- **Limpie los depósitos de agua si no se han utilizado durante 48 horas. Enjuague el sistema de agua conectado al suministro de agua si no se ha extraído agua durante 5 días**
- **Guarde la carne y el pescado crudos en recipientes adecuados en el frigorífico, para evitar que entren en contacto con otros alimentos o goteen sobre ellos**
- **Los compartimentos de congelación de dos estrellas (si el aparato dispone de ellos) son adecuados para conservar alimentos precongelados, guardar o hacer helados y producir cubitos de hielo**

- Los compartimentos de una, dos y tres estrellas (si el aparato dispone de ellos) no son adecuados para congelar alimentos frescos
- Para evitar la aparición de moho, el aparato se debe apagar, descongelar, limpiar y secar, además de dejar la puerta abierta, cuando vaya a permanecer vacío durante largos periodos de tiempo
- En el caso de los armarios para la conservación de vinos: Aparato destinado a utilizarse exclusivamente para la conservación de vinos
- En el caso de los aparatos de libre instalación: Este aparato no está destinado a utilizarse como aparato encastrable
- En el caso de los aparatos sin compartimento de cuatro estrellas: Este aparato no es adecuado para la congelación de productos alimenticios

Desguace de electrodomésticos antiguos



Este electrodoméstico tiene la marca de conformidad con la Directiva europea 2012/19/UE sobre residuos de aparatos eléctricos y electrónicos (RAEE).


Los RAEE contienen sustancias contaminantes (que pueden tener consecuencias negativas para el medio ambiente) y componentes básicos (que pueden reutilizarse). Es importante someter los RAEE a procedimientos específicos para eliminar y desechar de manera correcta todos los contaminantes, además de recuperar y reciclar todos los materiales.

Todos personalmente somos importantes cuando se trata de garantizar que los RAEE no se conviertan en un problema ambiental. Para esto, es fundamental respetar algunas reglas básicas:

- Los RAEE no deben tratarse como residuos domésticos.
- Los RAEE deben entregarse en los puntos de recogida pertinentes que gestionan los municipios o las empresas autorizadas. En algunos países existe un servicio de recogida de RAEE de gran tamaño.

En muchos países se puede entregar el electrodoméstico antiguo al comprar otro nuevo en el establecimiento, que deberá recogerlo de forma gratuita siempre que se trate de un aparato equivalente y que tenga las mismas funciones que el suministrado.

Conformidad

Al colocar la marca  en este producto, declaramos, bajo nuestra propia responsabilidad, el cumplimiento de todos los requisitos europeos en términos de seguridad, salud y medio ambiente, establecidos en la legislación para este producto.

Garantía

La garantía mínima es: 2 años para los países de la UE, 3 años para Turquía, 1 año para el Reino Unido, 1 año para Rusia, 3 años para Suecia, 2 años para Serbia, 5 años para Noruega, 1 año para Marruecos y 6 meses para Argelia. En Túnez no se requiere garantía legal.

Ahorro energético

Para ahorrar más energía, recomendamos lo siguiente:

- Instale el electrodoméstico en un lugar con buena ventilación, que esté lejos de fuentes de calor y no quede expuesto a la luz solar directa.
- Procure no guardar alimentos calientes en el frigorífico para evitar que la temperatura interior aumente y el compresor funcione de manera continua.
- No introduzca demasiados alimentos para garantizar una circulación de aire adecuada.
- Descongele el electrodoméstico si tiene hielo para facilitar la transferencia del frío.
- Si se corta la corriente eléctrica, es aconsejable mantener las puertas del frigorífico cerradas.
- Abra las puertas o manténgalas abiertas lo menos posible.
- Evite ajustar temperaturas demasiado bajas.
- Elimine el polvo de la parte trasera del electrodoméstico.

Para más información sobre el producto, consulte <https://eprel.ec.europa.eu/> o escanee el QR en la etiqueta energética suministrada con el aparato.

Antes del primer uso

Debe permitir que el congelador se asiente durante al menos cuatro horas antes de encenderlo.

Se recomienda limpiar el interior del aparato antes del primer uso, utilizando una solución de bicarbonato de sodio y agua tibia y luego secando a fondo el interior.

El congelador puede tener un cierto olor al primer uso. Esto desaparecerá a medida que el aparato se enfríe.

Tenga en cuenta que:

El aparato comenzará a funcionar en el ajuste de temperatura 3 y funcionará continuamente hasta que alcance la temperatura correcta.

Si el aparato está apagado, debe dejar pasar cinco minutos antes de volver a encenderlo para evitar daños innecesarios en el compresor.

Nunca almacene artículos inflamables o explosivos y ácidos corrosivos fuertes o álcalis en el aparato.

Este congelador enfría sus alimentos haciendo que el interior de la parte posterior de la cavidad se enfríe. Es normal que la escarcha se acumule en esta superficie; luego se disipa y drena a través de un pequeño desagüe en la parte inferior, donde se evapora sin provocar daños. La presencia de algo de escarcha no indica un mal funcionamiento del congelador.

Uso del congelador

- Los compartimentos del congelador están diseñados para almacenar sólo alimentos congelados.
- Nunca ponga alimentos calientes o tibios en el congelador, déjelos enfriar completamente antes.
- Siga las instrucciones que aparecen en el envase de alimentos para el almacenamiento de alimentos congelados. Si no se proporciona información, los alimentos no deben almacenarse durante más de tres meses después de la fecha de compra.
- Guarde los alimentos en envases pequeños (a ser posible de menos de 2,5 kg). Esto reduce el tiempo de congelación y mejora la calidad de los alimentos después de la descongelación.
- Envuelva los alimentos antes de introducirlos en el congelador. Para evitar que el envoltorio se pegue entre sí mismo, asegúrese de que esté seco.
- Etiquete los alimentos antes de congelarlos con información que incluya el tipo de alimentos y las fechas de almacenamiento y caducidad.
- Una vez descongelados los alimentos, no deben volver a congelarse a menos que se hayan cocinado completamente. Para evitar despilfarro, descongele solo la cantidad de alimentos necesaria.
- Las bebidas embotelladas o enlatadas no deben almacenarse en el compartimento del congelador, ya que podrían explotar.
- Compruebe la placa de clasificación para confirmar la cantidad máxima de alimentos frescos que se pueden congelar en un plazo de 24 horas.

No intente congelar más de la cantidad máxima.

Almacenamiento

El congelador sirve para el almacenamiento de alimentos a corto-medio plazo. Aunque se pueden mantener temperaturas bajas, no se recomiendan períodos prolongados de almacenamiento de alimentos.

A medida que el aire frío circula dentro del congelador, la temperatura puede variar entre las diferentes secciones. Como tales, los alimentos deben almacenarse en diferentes secciones según el tipo y el plazo de almacenamiento.

Las secciones inferiores son las partes más frías del congelador.

Las dos secciones superiores tienen solapas levadizas que permanecen abiertas para facilitar la carga y descarga.

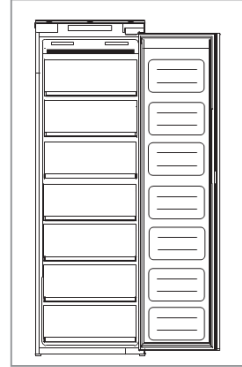
Las 5 secciones restantes son cajones.

El 6º ajuste en el panel de control, representado por el copo de nieve (Fig. 2), es una función de súper-congelación. Esto debe usarse cuando se congelen grandes cantidades de alimentos a la vez. Active esta función 2 o 3 horas antes de introducir los alimentos y no la deje funcionar durante más de lo necesario.

Dejar que funcione durante más tiempo supondría una carga innecesaria para el sistema de refrigeración. La función se desactivará automáticamente después de aproximadamente 24 horas.

La configuración que ahorra más energía requiere colocar cajones, fiambreras y estantes en el producto. Consulta las imágenes anteriores.

- Se sugiere ajustar la temperatura a -18°C en el compartimento del congelador.
- Para alimentos congelados, consulte el tiempo de almacenamiento escrito en el envase de los alimentos. Este tiempo de almacenamiento se consigue siempre que el ajuste respete las temperaturas de referencia del compartimento (una estrella -6°C , dos estrellas -12°C , tres estrellas -18°C).



Panel de control



A. Sensor de ajuste de temperatura del congelador

Este botón se utiliza para ajustar la temperatura dentro del congelador. Pulse este sensor una vez para activar el ajuste y, a continuación, tantas veces como sea necesario hasta seleccionar el nivel deseado. Los ajustes van de 1 a 6, siendo 1 el más cálido y súper congelación el más frío.

Tenga en cuenta que: Cuando sea posible, evite tener el ajuste de temperatura en 5 o súper-congelación (copo de nieve) todo el tiempo. Esto ayudará a aliviar la carga en el compresor y el sistema.

B. Indicador de ajuste de temperatura del congelador

Esta pantalla ilumina el ajuste de temperatura actual. El ajuste de la temperatura se realizará a través de esta pantalla.

Tenga en cuenta que: No utilice números 1 a 5 o el copo de nieve para cambiar la temperatura. En su lugar, utilice el sensor de ajuste de temperatura del congelador (A).

Posición	Condiciones
1-2	Temperatura de verano o ambiente comprendida entre 25 y 35 °C
3-4	Temperatura de primavera, otoño o ambiente comprendida entre 15 y 25 °C
5	Temperatura de invierno o ambiente comprendida entre 5 y 15 °C
Quick Freeze	Congelación rápida

C. Botón de encendido

Pulse el sensor una vez para activar el funcionamiento y, a continuación, pulse durante 3 segundos para encender o apagar el aparato.

Este producto no tiene función de memoria de desconexión o fallo de alimentación.

Cuidado y limpieza

Siempre desconecte el aparato de la fuente de alimentación antes de cualquier limpieza o mantenimiento.

Las secciones del congelador deben limpiarse con una solución de bicarbonato de sodio y agua tibia. No utilice productos o detergentes abrasivos. Después de lavar, enjuague y seque bien.

Limpie los compartimentos por separado con una solución suave de líquido de lavado y agua. No utilice limpiadores abrasivos ni detergentes.

Si el aparato no debe utilizarse durante largos períodos de tiempo, desenchúfelo y límpielo. Las puertas deben dejarse ligeramente entreabiertas para evitar la formación de moho y olores desagradables

Descongelación del congelador

El congelador no tiene un sistema de escarcha diseñado para evitar la fuerte acumulación de hielo. En condiciones normales de uso, no debe haber necesidad de descongelar regularmente el sistema de congelación.

Tenga en cuenta que: Si usted encuentra regularmente una fuerte acumulación de hielo, o acumulaciones de agua, en la sección del congelador, es probable que la puerta no cierre correctamente. Esto podría deberse a un sello de puerta defectuoso o a una puerta decorativa demasiado pesada o ajustada incorrectamente. Para más información vea la sección de resolución de problemas sobre el hielo.

Tenga en cuenta que: Si encuentra regularmente acumulaciones de agua en el congelador, acumulaciones de heladas, u observa que el compresor siempre está funcionando, entonces es probable que la puerta no selle correctamente. Esto podría deberse a un sello de puerta defectuoso o a una puerta decorativa demasiado pesada o ajustada incorrectamente. Para más información vea la sección de resolución de problemas sobre hielo en la página 12.

Disponibilidad de repuestos

- Termostatos, sensores de temperatura, placas de circuitos impresos y fuentes luminosas, durante un período de, como mínimo, siete años tras la introducción en el mercado de la última unidad del modelo.
- Mangos de puerta, bisagras, bandejas y cestos, durante un período de, como mínimo, siete años, y juntas de puerta durante un período de, como mínimo, diez años tras la introducción en el mercado de la última unidad del modelo;

Solución de problemas

Si tiene algún problema con su aparato, debe consultar la sección de solución de problemas antes de llamar a la Atención al Cliente Montpellier.

Si el aparato no funciona, compruebe:

- Que el aparato recibe alimentación.
- Que los fusibles de la casa están intactos y que el fusible en el enchufe no ha saltado.
- El congelador no se ha apagado
- Que el enchufe está funcionando bien. Para comprobarlo, conecte otro electrodoméstico para ver si el enchufe está defectuoso.

Si el aparato está funcionando, pero no muy bien, compruebe:

- Que el aparato no esté sobrecargado.
- Que el termostato está ajustado a una temperatura adecuada.
- Que las puertas se cierran correctamente.
- Que el sistema de refrigeración en la parte trasera del aparato está limpio y libre de polvo, y no toca la pared trasera.
- Que hay suficiente ventilación en las paredes laterales y traseras.
- Esto puede deberse a que la(s) puerta(s) decorativa(s) no esté(n) correctamente instalada(s), lo que provoca que la puerta del congelador no se cierre correctamente. Si no está seguro, pida a su instalador que compruebe las puertas decorativas.

Si el aparato es ruidoso, compruebe:

- Que el aparato esté nivelado y estable.
- Que las paredes laterales y traseras están libres, y que no hay nada apoyándose sobre el aparato.
- Nota: El gas de refrigeración en el sistema puede hacer un ligero ruido de burbujeo o gorgoteo, incluso cuando el compresor no está funcionando.

Si el aparato emite un pitido, compruebe:

- Que la puerta esté cerrada.

Si hay agua en la base del congelador, compruebe:

- Compruebe que hay cierta resistencia al abrir la puerta del aparato. Si se abre al más ligero toque, puede significar que el sello de la puerta tenga que ser sustituido.
- Compruebe que el sello de la puerta no presente grietas, residuos o daños. Si nota alguno, y no puede resolver el problema usted mismo, póngase en contacto con Atención al Cliente para que el sello pueda ser reemplazado.
- Esto puede deberse a que la(s) puerta(s) decorativa no está correctamente instalada. Si no está seguro, pídale a su instalador que compruebe las puertas decorativas.

Si se ha formado demasiado hielo en el congelador:

- Es normal que se forme algo de hielo en el congelador. Esto no constituye un fallo con el aparato.
- Compruebe que hay cierta resistencia al abrir la puerta del aparato. Si se abre al más ligero toque, puede significar que el sello de la puerta tenga que ser sustituido.
- Compruebe que el sello de la puerta no presente grietas, residuos o daños. Si nota alguno, y no puede resolver el problema usted mismo, póngase en contacto con Atención al Cliente para que el sello pueda ser reemplazado.
- Esto puede deberse a que la(s) puerta(s) decorativa no está correctamente instalada. Si no está seguro, pídale a su instalador que compruebe las puertas decorativas.

Asistencia técnica

Para ponerse en contacto con la asistencia técnica, visite nuestro sitio web: <https://corporate.haier-europe.com/en/>. En la sección "websites", elija la marca de su producto y su país. Serás redirigido al sitio web específico donde podrás encontrar el número de teléfono y el formulario para contactar con la asistencia técnica.

Instalación

Este aparato nunca debe instalarse cerca de fuentes de calor, p.ej. elementos calefactores o cocinas, ni en lugares húmedos.

Busque la ayuda de otra persona, o dos, al instalar este aparato. Este aparato puede tener bordes afilados. Llevar un EPI adecuado para la tarea y el medio ambiente.

- Para asegurarse de que el aparato está nivelado, debe usar los pies regulables de altura en la parte frontal del mismo.
- El sistema de refrigeración situado en la parte trasera del aparato no debe tocar la pared trasera. Cuanto mayor sea el hueco, mejor.
- El aparato debe instalarse con una ventilación adecuada. Asegúrese de que hay espacio por encima del aparato para permitir que salga aire y que haya espacio entre la parte trasera del aparato y la pared.

Instale el aparato en un lugar donde la temperatura ambiente corresponda a la clase climática indicada en la placa de características del aparato:

- Templada extendida (SN): «Aparato de refrigeración destinado a utilizarse a temperaturas ambiente de entre 10 °C y 32 °C»
- Templada extendida (SN): «Aparato de refrigeración destinado a utilizarse a temperaturas ambiente de entre 10 °C y 32 °C»
- Subtropical (ST): «Aparato de refrigeración destinado a utilizarse a temperaturas ambiente de entre 16 °C y 38 °C»
- Tropical (T): «Aparato de refrigeración destinado a utilizarse a temperaturas ambiente de entre 16 °C y 43 °C»

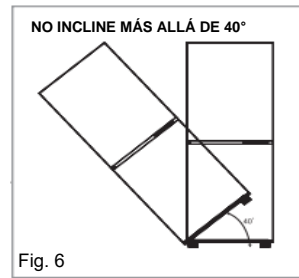
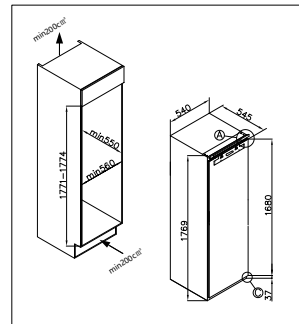
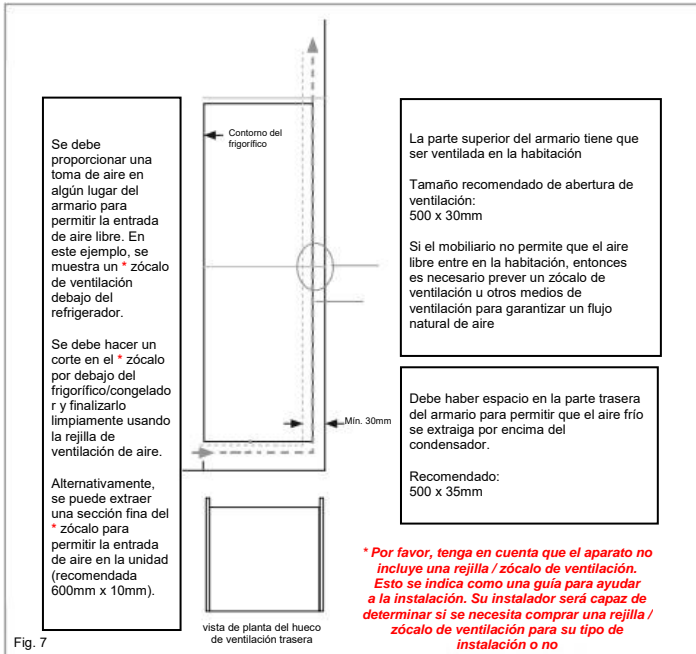


Fig. 6



Ventilación

La consideración principal al instalar cualquier unidad de refrigeración en una cocina equipada es la ventilación. Es necesario disipar el calor del compartimento de refrigeración a la atmósfera. La ventilación incorrecta puede provocar un fallo prematuro del compresor, un consumo excesivo de energía, un fallo total del sistema y puede invalidar la garantía proporcionada con el aparato. En el caso de los productos destinados a ser instalados en una unidad de alojamiento de altura, deberán cumplirse los siguientes requisitos:



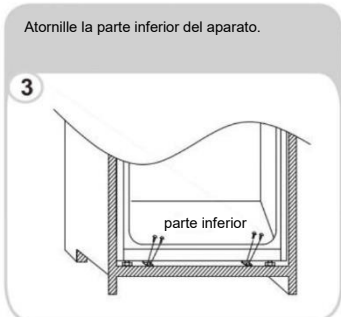
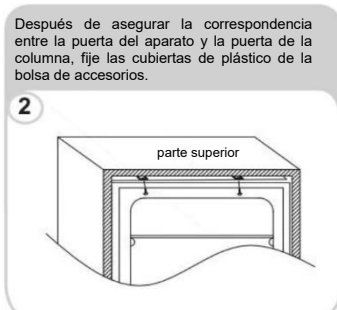
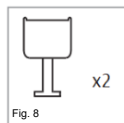
El canal abierto en la parte trasera se muestra claramente. Para el correcto funcionamiento del aparato es importante que la parte superior de la unidad de alojamiento no esté bloqueada. Una profundidad de canal de 40-50 mm es normal para la mayoría de las unidades.

Se requiere un orificio de ventilación en el zócalo de la unidad; esto permite que el aire sea extraído por encima del compresor y del intercambio de calor. El flujo de aire requerido se puede lograr mediante la eliminación de una sección delgada del zócalo (mínimo recomendado 600 mm x 10 mm).

Como regla general, cuanto más aire pueda entrar y salir, mejor y más eficiente es el funcionamiento del producto.

Instalación en el armario

Con la ayuda de otra persona, o dos, meta el aparato en el armario. Hay dos placas metálicas en la base del aparato. Ajuste los separadores blancos suministrados (Fig. 8) a estas placas, según Fig. 9.

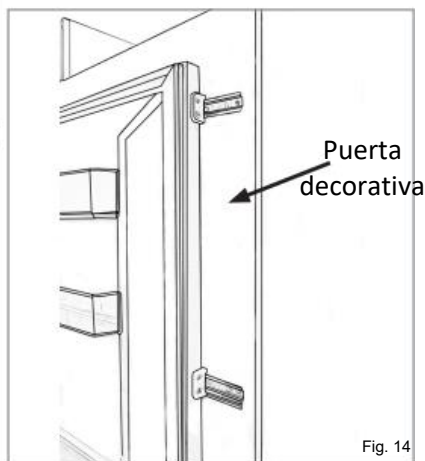
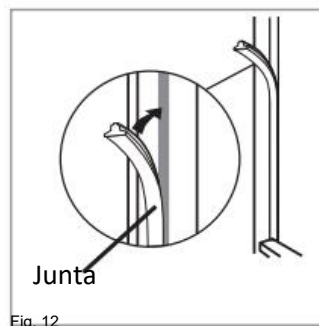
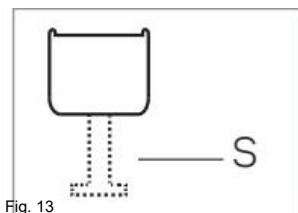
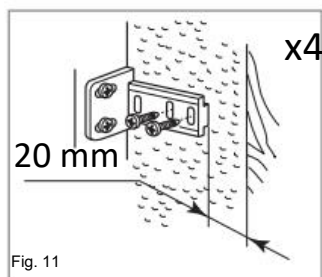


Asegúrese de que los labios de los espaciadores estén nivelados con el labio de la base del armario.

Montaje de la puerta frontal

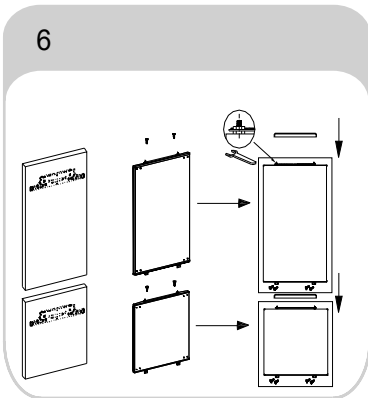
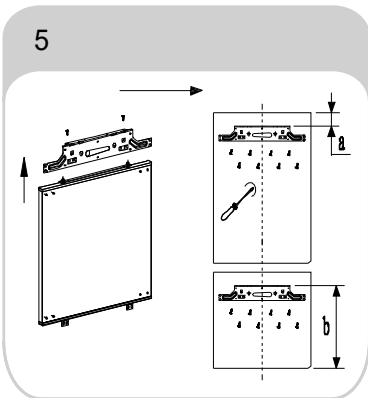
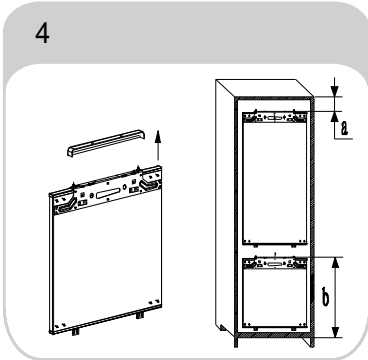
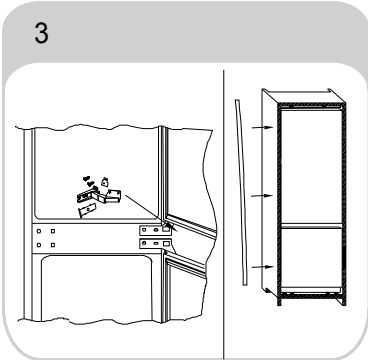
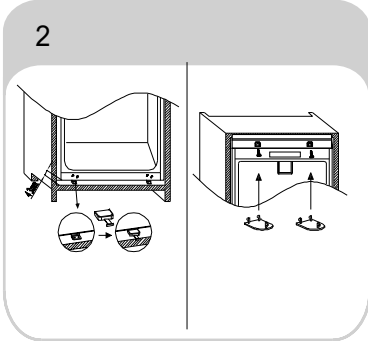
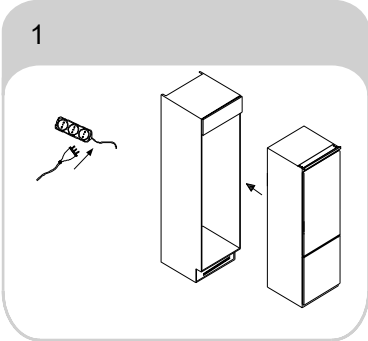
- Asegúrese de que hay un espacio de 3 a 4 mm entre el lado sin bisagras y la pared del armario.
- Coloque el deslizador en el soporte y fije el deslizador a la puerta frontal a 20 a 22 mm del borde de la puerta como se muestra en la figura 11, asegurando que el deslizador se coloca de forma central y horizontal dentro del soporte. Apriete con seguridad a mano.
- Llene el hueco en el lado sin bisagras con la junta / tira de sellado proporcionada, como se muestra en la figura 12.
- El aspecto terminado para los deslizadores de puerta debe ser similar a lo mostrado en la Fig. 14, que muestra 2 deslizadores en su lugar.
- **Asegúrese de que la puerta del aparato se abre, se cierra y se sella correctamente.**

Una vez completado, y si está satisfecho con el ajuste del aparato en el armario, doble y ajuste las partes de los espaciadores blancos marcados "S" como se muestra en el esquema punteado en la figura 13. Deje el resto de la cubierta espaciadora en su lugar sobre las placas metálicas.



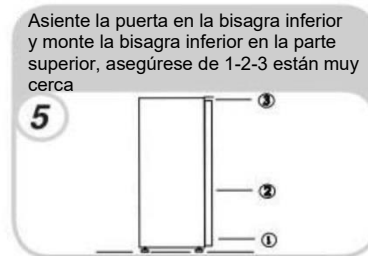
Importante: Una vez finalizada la instalación, compruebe que el aparato está fijado dentro de la unidad y que la puerta o puertas se cierran y se abran adecuadamente. Si no hay resistencia de las juntas de la puerta al abrir las puertas, es probable que el aparato o las puertas decorativas no estén correctamente instaladas.

Instrucciones de instalación para productos con bisagras fijas.



Inversión de la puerta del aparato

Le recomendamos que busque la ayuda de otra persona para sujetar las puertas durante la ejecución de esta operación. Siempre use el EPI (Equipo de Protección Individual) adecuado para la tarea que está realizando. Prepare una superficie con un trapo suave y limpio o similar donde se puede colocar la puerta durante estos pasos.



Asegurar los sellos de la puerta correctamente:

Es normal que el sello se comprima después de que la puerta se haya invertido. Con la puerta cerrada, utilice un secador de pelo para expandir el sello y llenar el espacio entre la puerta y el cuerpo del aparato.

Tenga cuidado de no usar el secador de pelo demasiado cerca del aparato, lo que podría dañar el sello. Una distancia de aproximadamente 10 cm debe ser adecuada.

Cuando termine, deje que el sello y la puerta se enfríen antes de tocarlos. Una vez hecho esto, el sello debe permanecer en posición.

TABLE DES MATIÈRES

INFORMATIONS DE SÉCURITÉ	64
Mise au rebut des anciens appareils	72
Conformité	73
Garantie	73
Économies d'énergie	73
Avant la première utilisation	74
Utilisation du congélateur	74
Conservation.....	75
Panneau de commande.....	75
Entretien et nettoyage	76
Dégivrage du congélateur	76
Disponibilité des pièces de rechange	77
Dépannage.....	77
Assistance technique	78
Installation.....	78
Ventilation	79
Installation dans le meuble	80
Montage de la porte de façade	81
Instructions d'installation pour les produits avec charnières fixes.....	82
Inverser la porte de l'appareil	83

Nous vous remercions d'avoir acheté ce produit.

Avant d'utiliser votre réfrigérateur, veuillez lire attentivement ces instructions d'utilisation afin de maximiser ses performances. Conservez cette documentation pour pouvoir vous y référer ultérieurement ou pour les éventuels futurs propriétaires. Ce produit est destiné uniquement à un usage domestique ou autres usages similaires tels que :

- l'espace cuisine réservé au personnel dans un magasin, des bureaux ou autres lieux de travail,
- dans les fermes-auberges, pour la clientèle des hôtels, motels et autres lieux de type résidentiel,
- dans les chambres d'hôtes,
- chez la restauration et autres services similaires, ce produit ne convient pas à la vente au détail.

Cet appareil doit être utilisé uniquement pour conserver de la nourriture ; tout autre usage est considéré comme dangereux et le fabricant ne sera pas tenu responsable en cas de mauvaise utilisation. Il est donc recommandé de prendre connaissance des conditions de garantie.

INFORMATIONS DE SÉCURITÉ

Veuillez lire attentivement les instructions d'utilisation et d'installation ! Elles contiennent des informations importantes sur l'installation, l'utilisation et l'entretien de l'appareil. Le fabricant n'est pas responsable si vous ne respectez pas les instructions et avertissements.

Conservez tous les documents pour une utilisation ultérieure ou pour le propriétaire suivant.

- **Ne branchez pas l'appareil à l'alimentation électrique avant d'avoir retiré tous les protecteurs d'emballage et de transport. Tenez les enfants à l'écart de l'emballage et de ses parties. Risque de suffocation provenant de cartons pliants et de film plastique !**
- **Laisser reposer pendant au moins 4 heures avant la mise en marche pour permettre à l'huile du compresseur de se déposer si le compresseur même est transportée horizontalement.**

- **À la livraison, vérifiez que le produit n'est pas endommagé et que toutes les pièces et accessoires sont en parfait état.**
- **N'endommagez pas le circuit réfrigérant.**
- **N'obstruez pas les orifices d'aération dans l'appareil ou dans la structure dans laquelle il est intégré.**
- **Ne jamais utiliser d'eau pour laver la position du compresseur, l'essuyer soigneusement avec un chiffon sec après le nettoyage pour éviter la rouille.**
- **Manipulez toujours l'appareil avec au moins deux personnes parce qu'il est lourd.**
- **Installez et mettez à niveau l'appareil dans une zone adaptée à sa taille et à son utilisation.**
- **Assurez-vous que les informations électriques figurant sur la plaque signalétique sont conformes à l'alimentation électrique. Si ce n'est pas le cas, contactez un électricien.**
- **L'appareil est alimenté par une alimentation de 220-240 VCA/50 Hz. Les variations anormales de tension peuvent provoquer l'arrêt de l'appareil ou endommager le régulateur de température ou le compresseur, ou il peut y avoir un bruit anormal lors du fonctionnement. Dans ce cas, un régulateur automatique doit être monté.**

- **Uniquement pour le Royaume-Uni : Le cordon d'alimentation de l'appareil est équipé d'une fiche 3 pôles (de mise à la terre) qui s'adapte à une prise standard 3 pôles (de mise à la terre). Ne coupez jamais ou ne démontez jamais la troisième broche (mise à la terre). Une fois l'appareil installé, la fiche doit être accessible.**
- **Veillez à ce que le câble de réseau ne soit pas coincé sous l'appareil pendant et après le transport ou le déplacement de l'appareil, afin d'éviter que le câble de réseau ne soit coupé ou endommagé. Si le câble d'alimentation est endommagé, il doit être remplacé par le fabricant, son agent d'entretien ou des personnes possédant le même type de qualification, afin d'éviter tout risque.**
- **N'installez pas l'appareil dans un endroit humide, gras ou poussiéreux et ne l'exposez pas à la lumière directe du soleil ni à l'eau.**
- **N'installez pas l'appareil à proximité de sources de chaleur ou de matériaux inflammables**
- **POUR les appareils équipés d'un compartiment congélateur : en cas de panne de courant, n'ouvrez pas le couvercle. Les aliments congelés ne devraient pas être affectés si la panne dure moins que les heures indiquées sur l'étiquette signalétique (temps de montée en**

température). Si la panne dure plus longtemps, alors il convient de vérifier les aliments et de les manger immédiatement ou bien de les cuire et de les congeler à nouveau.

- **Si vous trouvez que le couvercle de l'appareil est difficile à ouvrir juste après l'avoir fermé, ne soyez pas inquiet. Cela vient de la différence de pression qui doit s'égaliser et permettre au couvercle de s'ouvrir normalement après quelques minutes.**
- **Ne conservez pas de médicaments, de bactéries ou d'agents chimiques dans l'appareil. Cet appareil est un appareil électroménager, il n'est pas recommandé de stocker des produits qui nécessitent des températures strictes.**
- **Ne tirez pas et ne pliez pas excessivement le cordon d'alimentation et ne touchez pas la prise avec les mains mouillées.**
- **Ne conservez pas des produits contenant des gaz propulseurs inflammables (par ex. des bombes de pulvérisation) ou des substances explosives dans l'appareil. Risque d'explosion !**
- **Ne placez pas d'objets instables (objets lourds, récipients remplis d'eau) sur le dessus du réfrigérateur, pour éviter les blessures corporelles causées par une chute ou une électrocution causée par le contact avec de l'eau.**

- **N'utilisez pas d'appareils électriques dans les compartiments de conservation des aliments de l'appareil, excepté s'ils sont du type recommandé par le fabricant.**
- **Ne pas toucher les éléments de refroidissement internes, en particulier avec les mains mouillées, pour éviter les fissures ou les blessures.**
- **Les enfants, les personnes qui ont des capacités physiques, mentales ou sensorielles limitées, ainsi que les personnes qui ont des connaissances insuffisantes en matière de sécurité d'utilisation de l'appareil sont à risque. Vérifiez que les enfants et les personnes vulnérables ont compris les dangers. Une personne responsable de la sécurité doit surveiller les enfants et les personnes vulnérables qui utilisent l'appareil ou leur expliquer son fonctionnement. Seuls les enfants âgés de 8 ans et plus peuvent utiliser l'appareil.**
- **Les enfants ne doivent pas jouer avec l'appareil.**
- **Les enfants âgés de 3 à 8 ans sont autorisés à charger et à décharger l'appareil**
- **POUR les appareils avec compartiment congélateur : ne conservez pas de liquides en bouteille ou en canette (surtout les boissons**

gazeuses) dans le compartiment congélateur. Les bouteilles et les canettes peuvent éclater !

- **POUR les appareils équipés d'un compartiment congélateur : ne placez jamais d'aliments congelés dans votre bouche juste après les avoir sortis du compartiment congélateur. Risque de brûlures à basse température !**
- **Gardez les pièces en plastique et le joint de porte exempt d'huile et de graisse. Dans le cas contraire, les pièces en plastique et le joint de porte deviendront poreux.**
- **Avant toute intervention, débranchez le cordon d'alimentation de la prise murale.**
- **N'utilisez pas d'outils mécaniques ou autres équipements pour accélérer le processus de dégivrage, autres que ceux recommandés par le fabricant.**
- **N'utilisez pas d'objets pointus ou tranchants tels que des couteaux ou des fourchettes pour enlever le givre. N'utilisez jamais de sèche-cheveux, de radiateurs électriques ou d'autres appareils électriques de ce type pour le dégivrage.**
- **Il est recommandé de maintenir la prise propre ; les résidus excessifs de poussière sur la prise peuvent provoquer un incendie.**
- **N'essayez pas de réparer, démonter ou modifier l'appareil vous-même. En cas de**

réparation, veuillez contacter notre service clientèle.

- **Supervisez les enfants pendant le nettoyage ou l'entretien de l'appareil.**
- **Ne nettoyez pas les clayettes froides en verre à l'eau chaude. Un changement soudain de température peut casser le verre.**
- **AVERTISSEMENT : Les tubes du circuit de réfrigération transportent une petite quantité d'un frigorigène respectueux de l'environnement mais inflammable (R600a) et d'un gaz isolant (cyclopentane). Il n'endommage pas la couche d'ozone et n'augmente pas l'effet de serre. Si le réfrigérant s'échappe, il risque de blesser vos yeux ou de s'enflammer.**
- **En cas de dommages du circuit de réfrigérant :**
 - **Éteignez l'appareil et retirez la prise secteur ;**
 - **Tenez les flammes nues et/ou les sources d'inflammation loin de l'appareil ;**
 - **Ventilez complètement la pièce pendant plusieurs minutes ;**
 - **Informez le service clientèle.**
- **AVERTISSEMENT : N'endommagez pas la fiche et/ou le cordon d'alimentation ; cela pourrait provoquer des chocs électriques ou des incendies.**
- **AVERTISSEMENT : N'utilisez pas des systèmes multiprises portatifs ou des alimentations**

portatives. Nous ne recommandons pas l'utilisation de rallonges et d'adaptateurs multiples.

- **N'essayez pas de vous asseoir ou de vous tenir debout sur le dessus de l'appareil. Vous pourriez vous blesser ou endommager l'appareil. Cet appareil n'est pas conçu pour être empilé avec d'autres appareils.**
- **L'appareil est conçu et construit pour un usage domestique uniquement.**
- **Seules les pièces d'origine fournies par le fabricant peuvent être utilisées. Le fabricant garantit que seules ces pièces satisfont aux exigences de sécurité.**
- **L'ouverture prolongée de la porte peut entraîner une hausse significative de la température dans les compartiments de l'appareil.**
- **Nettoyez régulièrement les surfaces entrant en contact avec les aliments et les systèmes d'évacuation accessibles.**
- **Nettoyez les réservoirs d'eau s'ils n'ont pas été utilisés pendant 48 h ; videz le circuit d'eau raccordé à une alimentation d'eau si l'eau n'a pas été tirée pendant 5 jours.**
- **Placez la viande et le poisson crus dans des récipients adaptés avant de les mettre au réfrigérateur, afin qu'ils n'entrent pas en**

contact avec d'autres aliments ou ne gouttent pas dessus.

- **Les compartiments de congélation « deux étoiles » (si présents dans l'appareil) sont adaptés à la conservation des aliments pré-congelés, à la conservation et à la fabrication des crèmes glacées et à la production des glaçons.**
- **Les compartiments « une, deux et trois étoiles » (si présents dans l'appareil) ne sont pas adaptés à la congélation des aliments frais.**
- **Si l'appareil doit rester vide pendant des périodes prolongées, mettez-le hors tension, dégivrez-le, nettoyez-le, séchez-le et laissez la porte ouverte pour éviter la formation de moisissures à l'intérieur**
- **Pour les appareils sans compartiment « quatre étoiles»: Cet appareil de réfrigération ne convient pas pour la congélation de denrées alimentaire**

Mise au rebut des anciens appareils



Cet appareil comporte les symboles conformes à la directive européenne 2012/19/EU sur les déchets des équipements électriques et électroniques (DEEE).

DEEE couvre à la fois les substances polluantes (pouvant avoir des retombées négatives sur l'environnement) et les composants de base (pouvant être ré-utilisés). Il est important de soumettre les déchets DEEE à des traitements spécifiques, afin d'enlever et éliminer tous les polluants de manière adéquate et de récupérer et recycler tous les matériaux.

Toute personne peut jouer un rôle important en veillant à ce que les déchets DEEE ne deviennent pas un problème environnemental ; pour cela, il est essentiel de suivre quelques règles de base :

- Les DEEE ne doivent pas être traités comme des déchets ménagers ;
- Les DEEE doivent être remis aux points de collecte appropriés gérés par la municipalité ou par des sociétés reconnues. Dans de nombreux pays, pour des DEEE encombrants, la collecte à domicile peut être organisée.

Dans de nombreux pays, lorsque vous achetez un nouvel appareil, l'ancien peut être retourné au détaillant qui est en devoir de le récupérer sans frais de manière individualisée, tant que l'équipement est de type équivalent et a les mêmes fonctions que l'équipement fourni.

Conformité

En apposant la marque **CE** sur ce produit, nous confirmons la conformité à toutes les obligations européennes concernant la protection de l'environnement et de la santé et de la sécurité, applicables selon la loi à ce produit.

Garantie

La garantie minimale est : 2 ans pour les pays de l'UE, 3 ans pour la Turquie, 1 an pour le Royaume-Uni, 1 an pour la Russie, 3 ans pour la Suède, 2 ans pour la Serbie, 5 ans pour la Norvège, 1 an pour le Maroc, 6 mois pour l'Algérie, pas de garantie légale requise pour la Tunisie.

Économies d'énergie

Pour faire davantage d'économies d'énergie nous suggérons :

- Installez l'appareil dans un endroit bien aéré, loin de sources de chaleur et ne l'exposez pas à la lumière directe du soleil.
- Évitez de mettre de la nourriture chaude dans le réfrigérateur pour éviter d'accroître la température intérieure et, par conséquent, de faire fonctionner le compresseur en permanence.
- Ne tassez pas trop les denrées conservées de manière à garantir une circulation de l'air correcte.
- Si de la glace s'est formée, dégivrez l'appareil pour faciliter le transfert du froid.
- En cas de coupure de l'alimentation électrique, il est conseillé de garder la porte du réfrigérateur fermée.
- Ouvrez ou laissez la porte du réfrigérateur ouverte le moins possible.
- Évitez de régler le thermostat à des températures trop basses.
- Retirez la poussière accumulée à l'arrière de l'appareil

Pour plus d'informations sur le produit, veuillez consulter <https://eprel.ec.europa.eu/> ou scannez le QR sur l'étiquette énergétique fournie avec l'appareil

Avant la première utilisation

Vous devez laisser le congélateur se stabiliser pendant au moins quatre heures avant de mettre l'appareil sous tension.

Il est recommandé de nettoyer l'intérieur de l'appareil avant la première utilisation, à l'aide d'une solution de bicarbonate de soude et d'eau chaude, puis de sécher complètement l'intérieur.

Le congélateur peut avoir une odeur lors de la première utilisation. Cela disparaît lorsque l'appareil refroidit.

Veillez noter :

L'appareil démarre quand la température est réglée sur 3 et fonctionne en continu jusqu'à ce qu'il atteigne la bonne température.

Si l'appareil est éteint, laissez passer cinq minutes avant de le remettre en marche pour éviter tout dommage inutile au compresseur.

Ne rangez jamais d'objets inflammables ou explosifs, ni d'acides ou d'alcalis fortement corrosifs dans l'appareil.

Ce congélateur refroidit vos aliments en refroidissant l'intérieur de la cavité. Il est normal que le givre s'accumule sur cette surface ; il se dissipe et s'écoule à travers un petit trou au fond, où il s'évapore inoffensivement. La présence de givre n'est pas un dysfonctionnement du congélateur.

Utilisation du congélateur

- Les compartiments du congélateur sont conçus pour stocker uniquement des aliments congelés.
- Ne mettez jamais d'aliments chauds ou brûlants dans le congélateur, laissez-les refroidir complètement avant de les stocker.
- Suivez les instructions figurant sur l'emballage des aliments pour l'entreposage des aliments congelés. Si aucune information n'est donnée, ne conservez pas les aliments pendant plus de trois mois à compter de leur date d'achat.
- Conservez les aliments dans de petits emballages (idéalement moins de 2,5 kg). Cela réduit le temps de congélation et améliore la qualité des aliments après décongélation.
- Enveloppez les aliments avant de les mettre au congélateur. Pour éviter que les emballages ne collent entre eux, assurez-vous qu'ils sont secs.
- Étiqueter les aliments avant de les congeler avec des renseignements sur le type d'aliment et les dates d'entreposage et d'expiration.
- Une fois les aliments décongelés, ils ne doivent pas être recongelés à moins qu'ils n'aient été complètement cuits. Ne décongelez que la quantité d'aliments nécessaire pour éviter le gaspillage.
- Les liquides en bouteille ou en conserve ne doivent pas être conservés dans le compartiment de congélation car ils pourraient exploser.
- Vérifier la plaque signalétique pour confirmer la quantité maximale d'aliments frais pouvant être congelés dans un délai de 24 heures.

N'essayez pas de congeler plus que la quantité maximale.

Conservation

Le congélateur est destiné à la conservation à court et moyen terme des aliments. Bien qu'il soit possible de maintenir des températures basses, il n'est pas recommandé de stocker les aliments pendant de longues périodes.

Comme l'air froid circule dans le congélateur, la température peut varier entre les différentes sections. Par conséquent, les aliments doivent être conservés dans des sections différentes selon leur type et leur durée d'entreposage.

Les parties inférieures sont les parties les plus froides du congélateur.

Les deux sections supérieures ont des volets relevables qui restent ouverts pour faciliter le chargement et le déchargement. Les 5 autres parties sont des tiroirs.

Le 6ème réglage sur le panneau de commande, représenté par le flocon de neige (Fig. 2), est une fonction Super congélation. Cette fonction doit être utilisée lorsque l'on congèle de grandes quantités de nourriture en une seule fois. Activez-la 2 ou 3 heures avant d'introduire les aliments et ne la laissez pas fonctionner plus longtemps que nécessaire.

Le fait de le laisser fonctionner plus longtemps mettra inutilement à rude épreuve le système de refroidissement. La fonction se désactive automatiquement après 24 heures environ.

La configuration la moins énergivore nécessite que les tiroirs, les boîtes de rangement et les clayettes soient positionnés dans le produit, veuillez consulter les photos ci-dessus.

- Il est suggéré de régler la température à 4°C dans le compartiment réfrigérateur et, si possible, à -18°C dans le compartiment congélateur.
- Pour les aliments congelés, se reporter à la durée de conservation inscrite sur l'emballage des aliments. Cette durée de conservation est atteinte lorsque le réglage respecte les températures de référence du compartiment (une étoile -6°C, deux étoiles -12°C, trois étoiles -18°C).

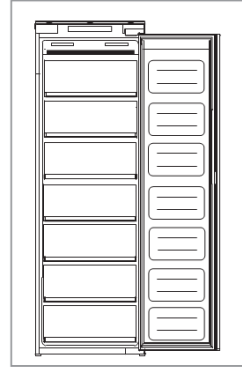
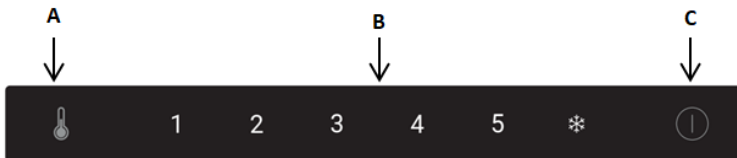


Fig. 2

Panneau de commande



A. Capteur de réglage de la température du congélateur

Cette touche permet de régler la température à l'intérieur du congélateur. Appuyez une fois sur ce capteur pour activer le réglage, puis autant de fois que nécessaire jusqu'à ce que le niveau souhaité soit sélectionné. Les réglages vont de 1 à 6 avec 1 étant le plus chaud et Super congélation étant le plus froid.

Veillez noter : Dans la mesure du possible, évitez d'avoir la température réglée sur 5 ou sur Super congélation (flocon de neige) tout le temps. Cela permettra de réduire la pression sur le compresseur et le système.

B. Affichage du réglage de la température du congélateur

Cet affichage éclaire le réglage actuel de la température. Le réglage de la température s'effectue à travers de cet écran.

Veillez noter : Vous ne devez pas utiliser les chiffres 1 à 5 ou le flocon de neige pour changer la température. À la place, utilisez le capteur de réglage de la température du congélateur (A).

Position	Conditions
1-2	Été ou température ambiante comprise entre 25 et 35 °C
3-4	Printemps, automne ou température ambiante comprise entre 15 et 25 °C
5	Hiver ou température ambiante comprise entre 5 et 15 °C
Quick Freeze	Congélation rapide

C. Bouton d'alimentation

Appuyez une fois sur le capteur pour augmenter la fonction, puis pendant 3 secondes pour allumer ou éteindre l'appareil.

Ce produit n'est pas doté d'une fonction de mémoire en cas de coupure de courant ou de panne de courant.

Entretien et nettoyage

Débranchez toujours l'appareil de l'alimentation électrique avant tout nettoyage ou entretien.

Les tiroirs doivent être nettoyés à l'aide d'une solution de bicarbonate de soude et d'eau tiède. N'utilisez pas de produits ou de détergents abrasifs. Après le lavage, rincer et sécher soigneusement.

Nettoyez les compartiments séparément à la main avec une solution douce de liquide vaisselle et d'eau. N'utilisez pas de nettoyeurs ou de détergents abrasifs.

En cas de non-utilisation prolongée de l'appareil, débranchez-le et nettoyez-le. Les portes doivent être laissées légèrement entrouvertes pour éviter la formation de moisissures et d'odeurs désagréables.

Dégivrage du congélateur

Le congélateur n'est pas doté de système de givre qui est conçu pour empêcher l'accumulation importante de glace. Dans les conditions normales d'utilisation, il ne devrait pas être nécessaire de dégivrer régulièrement le système de congélation.

Veillez noter : Si vous trouvez régulièrement une accumulation importante de glace, ou des flaques d'eau, dans la partie congélateur, alors il est probable que la porte n'est pas bien étanche. Cela pourrait être dû à un joint de porte défectueux ou à une porte mal montée, trop lourde ou décorée. Pour en savoir plus, consultez la section de résolution des problèmes concernant la glace.

Veillez noter : Si vous trouvez régulièrement des flaques d'eau dans le congélateur, des accumulations de givre, ou si vous remarquez que le compresseur est toujours en marche, alors il est probable que la porte n'est pas correctement scellée. Cela pourrait être dû à un joint de porte défectueux ou à une porte mal montée, trop lourde ou décorée. Pour en savoir plus, consultez la section de résolution des problèmes de la glace à la page 12.

Disponibilité des pièces de rechange

- Les thermostats, les capteurs de température, les cartes de circuit imprimé et les sources lumineuses sont disponibles pour une période minimale de sept ans à compter de la mise sur le marché de la dernière unité du modèle;
- Les poignées de porte, gonds de porte, plateaux et bacs, sont disponibles pour une période minimale de sept ans, et les joints de porte sont disponibles pour une période minimale de 10 ans à compter de la mise sur le marché de la dernière unité du modèle;

Dépannage

Si vous rencontrez des problèmes avec votre appareil, vérifiez la section de résolution des problèmes avant d'appeler le Service Clients de Montpellier.

Si l'appareil ne fonctionne pas, vérifiez les points suivants :

- L'appareil est alimenté en courant.
- Les fusibles de la maison sont intacts et que le fusible de la prise n'a pas sauté.
- Le congélateur n'a pas été éteint.
- La prise de courant fonctionne bien. Pour vérifier ce point, branchez un autre appareil électrique pour voir si la prise est défectueuse.

Si l'appareil fonctionne, mais pas très bien, vérifiez les points suivants :

- L'appareil n'est pas surchargé.
- Le thermostat est réglé sur une température appropriée.
- Les portes se ferment correctement.
- Le système de refroidissement à l'arrière de l'appareil est propre et exempt de poussière et ne touche pas le mur situé à l'arrière.
- Il y a suffisamment de ventilation sur les parois latérales et arrière.
- Cela peut être dû à la (aux) porte(s) d'ornement qui n'est pas (ne sont pas) correctement installée(s), ce qui fait que la porte du congélateur ne se ferme pas correctement, laissant ainsi entrer de l'air chaud. Si vous n'êtes pas du tout certain, demandez à votre installateur de les vérifier.

Si l'appareil est bruyant, vérifiez les points suivants :

- L'appareil est de niveau et stable.
- Les parois latérales et arrière sont dégagées, et aucun objet ne repose sur l'appareil.
- Remarque : Le gaz réfrigérant dans le système peut faire un léger bruit (bouillonnement ou gargouillement) même quand le compresseur ne fonctionne pas.

Si l'appareil émet un bip, vérifiez les points suivants :

- La porte est fermée.

S'il y a de l'eau dans le fond du congélateur, vérifiez les points suivants :

- Vérifiez qu'il y a une certaine résistance lors de l'ouverture de la porte de l'appareil. Si elle s'ouvre au moindre contact, cela peut signifier que le joint de la porte doit être remplacé.
- Vérifiez que le joint de la porte ne présente pas de pliures, de débris ou de dommages. Si vous remarquez l'un de ces aspects, et ne parvenez pas à résoudre le problème vous-même, contactez le Service Clients afin que le joint puisse être remplacé.
- Cela peut être dû au fait que la (les) porte(s) décorative(s) n'est (sont) pas correctement montée(s). Si vous n'êtes pas du tout certain, demandez à votre installateur de les vérifier.

Si de la glace excessive s'est formée dans le congélateur :

- Il est normal que de la glace se forme dans le congélateur. Cela ne constitue pas un défaut de l'appareil.
- Vérifiez qu'il y a une certaine résistance lors de l'ouverture de la porte de l'appareil. Si elle s'ouvre au moindre contact, cela peut signifier que le joint de la porte doit être remplacé.
- Vérifiez que le joint de la porte ne présente pas de pliures, de débris ou de dommages. Si vous remarquez l'un de ces aspects, et ne parvenez pas à résoudre le problème vous-même, contactez le Service Clients afin que le joint puisse être remplacé.
- Cela peut être dû au fait que la (les) porte(s) décorative(s) n'est (sont) pas correctement montée(s). Si vous n'êtes pas du tout certain, demandez à votre installateur de les vérifier.

Assistance technique

Pour contacter l'assistance technique, visitez notre site Internet: <https://corporate.haier-europe.com/en/>. Dans la section «websites», choisissez la marque de votre produit et votre pays. Vous serez redirigé vers le site Web spécifique où vous pouvez trouver le numéro de téléphone et le formulaire pour contacter l'assistance technique

Installation

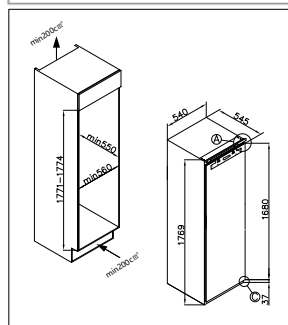
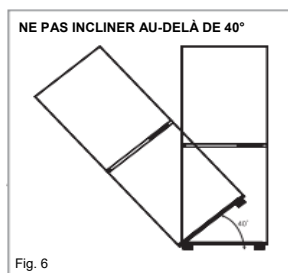
Cet appareil ne doit jamais être installé à proximité d'une source de chaleur, p.ex. des éléments chauffants ou cuisinières, ni dans des endroits humides.

Demander l'aide d'une ou deux autres personnes, lors de l'installation de cet appareil. Cet appareil peut avoir des bords tranchants. Portez un EPI approprié pour cette tâche et pour l'environnement.

- Pour vous assurer que l'appareil est de niveau, vous devez utiliser les pieds à hauteur réglable situés à l'avant de l'appareil.
- Le système de refroidissement à l'arrière de l'appareil ne doit pas toucher le mur situé à l'arrière. Plus l'écart est grand, mieux c'est.
- L'appareil doit être équipé d'une ventilation adéquate. Assurez-vous qu'il y a un espace libre au-dessus de l'appareil pour permettre à l'air de s'échapper et entre l'arrière de l'appareil et le mur.

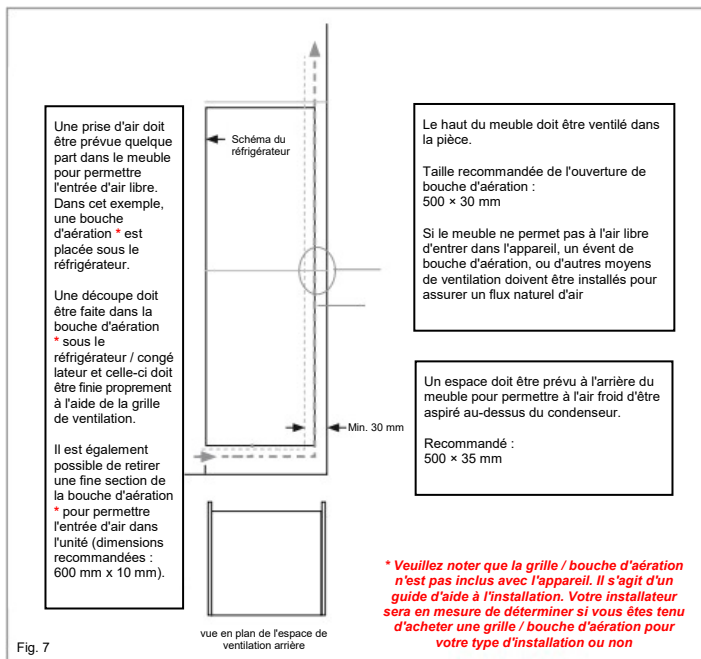
Installez cet appareil à un endroit où la température ambiante correspond à la classe climatique indiquée sur la plaque signalétique de l'appareil.

- Tempérée élargie (SN): «Cet appareil de réfrigération est destiné à être utilisé à des températures ambiantes comprises entre 10 °C et 32 °C»
- Tempérée (N): «Cet appareil de réfrigération est destiné à être utilisé à des températures ambiantes comprises entre 16 °C et 32 °C»
- Subtropicale (ST): «Cet appareil de réfrigération est destiné à être utilisé à des températures ambiantes comprises entre 16 °C et 38 °C»
- Tropicale (T): «Cet appareil de réfrigération est destiné à être utilisé à des températures ambiantes comprises entre 16 °C et 43 °C»



Ventilation

La ventilation est le principal élément à prendre en compte lors de l'installation d'un appareil de réfrigération dans une cuisine équipée. La chaleur éliminée du compartiment de refroidissement doit être dissipée dans l'atmosphère. Une ventilation incorrecte peut entraîner une défaillance prématurée du compresseur, une consommation d'énergie excessive, une panne totale du système et peut invalider la garantie fournie avec l'appareil. Pour les produits destinés à être installés dans un boîtier de hauteur, les exigences suivantes doivent être respectées :



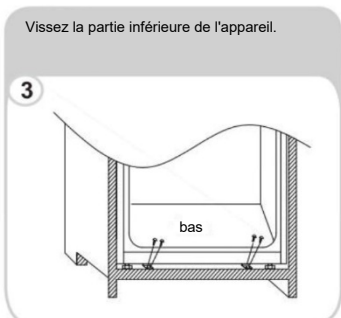
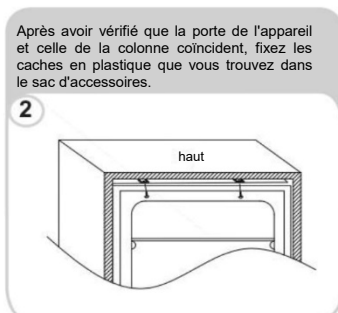
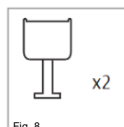
Le canal ouvert à l'arrière est clairement indiqué. Pour le bon fonctionnement de l'appareil, il est important que le dessus de l'unité ne soit pas encombré. La plupart des appareils ont une profondeur de canal de 40 à 50 mm.

Un trou de ventilation est nécessaire dans le socle de l'unité ; cela permet à l'air d'être aspiré sur le compresseur et l'échange de chaleur. Le débit d'air requis peut être obtenu en retirant une fine section de la bouche d'aération (600 mm x 10 mm minimum recommandé).

En règle générale, plus il y a d'air qui peut entrer et sortir, plus le fonctionnement du produit est bon et efficace.

Installation dans le meuble

Avec l'aide d'une ou deux autres personnes, déplacez l'appareil dans le meuble. Il y a deux plaques métalliques à la base de l'appareil. Montez les entretoises blanches fournies (Fig. 8) sur ces plaques, conformément à la Fig. 9.



Assurez-vous que les lèvres des entretoises sont à niveau avec la lèvre de la base du meuble.

Montage de la porte de façade

- Assurez-vous qu'il y a un espace de 3 à 4 mm entre le côté non articulé et la paroi du meuble.
- Placez la glissière dans le support et fixez-la à la porte de façade, à 20 à 22 mm du bord de celle-ci, comme indiqué sur la figure 11, en veillant à ce que la glissière soit placée au centre et à l'horizontale dans le support. Serrez fermement à la main.
- Remplissez l'espace du côté non articulé avec le joint d'étanchéité fourni, comme illustré à la Fig. 12.
- L'aspect final des glissières de porte devrait être similaire à celui de la figure 14, qui montre deux glissières en place.
- **Assurez-vous que la porte de l'appareil s'ouvre, se ferme et se scelle correctement.**

Une fois terminé, et si vous êtes satisfait de l'ajustement de l'appareil dans le meuble, pliez et appuyez sur les parties des entretoises blanches marquées «S» comme indiqué par le contour en pointillé de la figure 13. Laissez le reste du cache de l'entretoise en place sur les plaques métalliques.

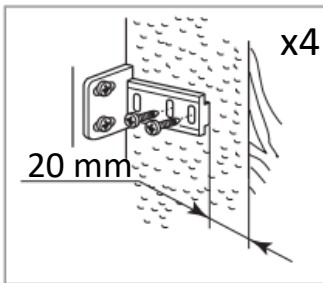


Fig. 11

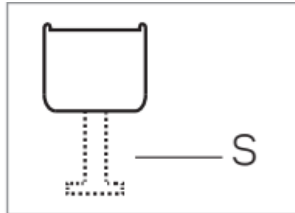


Fig. 13

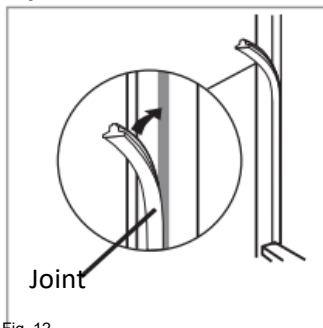


Fig. 12

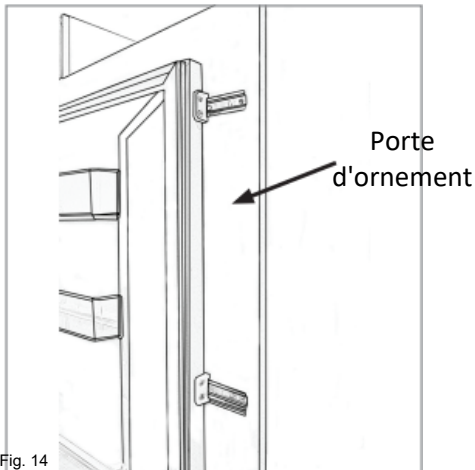
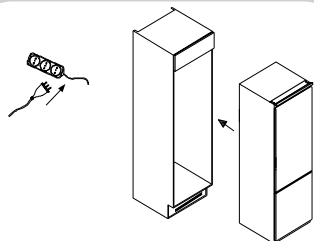


Fig. 14

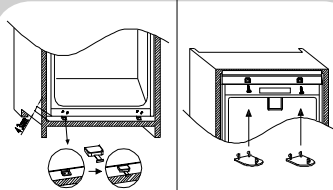
Important : Une fois l'installation terminée, vérifiez que l'appareil est bien fixé dans l'unité et que la ou les portes se ferment et s'ouvrent correctement. S'il n'y a pas de résistance des joints de porte lors de l'ouverture des portes, il est probable que l'appareil et / ou les portes d'ornement ne sont pas correctement installés.

Instructions d'installation pour les produits avec charnières fixes.

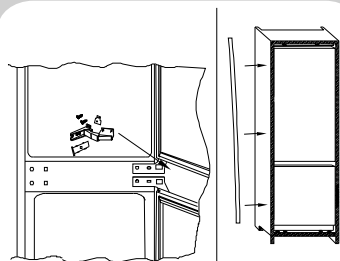
1



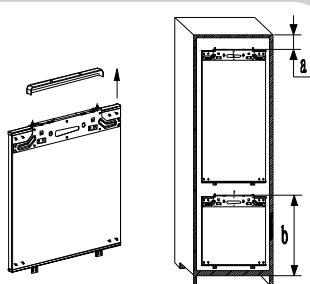
2



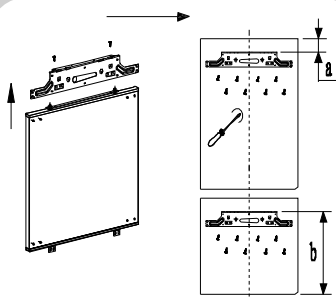
3



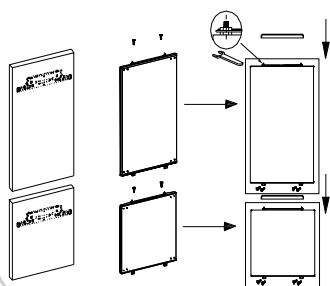
4



5



6



Inverser la porte de l'appareil

Nous vous recommandons de demander l'aide d'une autre personne pour soutenir les portes pendant l'exécution de cette opération. Toujours porter un EPI approprié (équipement de protection individuelle) pour la tâche à accomplir. Préparez une surface avec une serviette douce et propre ou similaire où vous pourrez poser la porte pendant ces étapes.

Retirez le cache supérieur droit de la charnière et la charnière par un tournevis.

1



Retirez la porte.

2



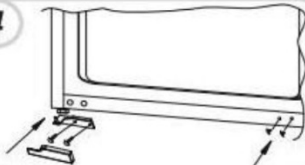
Retirez la charnière inférieure à droite et les bouchons en plastique à gauche, puis replacez-les sur le côté opposé.

3



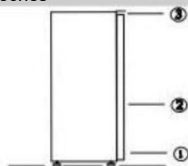
Montez la charnière supérieure droite sur la partie inférieure gauche et remettez le cache en place.

4



Placez la porte sur la charnière inférieure et montez la charnière inférieure vers le haut, assurez-vous que les points 1-2-3 sont proches

5



Assurez-vous que les joints de porte sont correctement scellés :

Il est normal que le joint soit comprimé une fois que la porte a été inversée. Une fois la porte fermée, utilisez un sèche-cheveux pour élargir le joint et combler l'espace entre la porte et le corps de l'appareil.

Veillez à ne pas utiliser le sèche-cheveux trop près de l'appareil, ce qui pourrait endommager le joint. Une distance d'environ 10 cm devrait être suffisante.

Une fois terminé, laissez refroidir le joint et la porte avant de les toucher. Une fois cette étape terminée, le joint doit rester en place.

SOMMARIO

INFORMAZIONI DI SICUREZZA	85
Smaltimento degli elettrodomestici usati	93
Conformità.....	94
Garanzia.....	94
Risparmio energetico	94
Prima del primo utilizzo.....	94
Uso del congelatore.....	95
Conservazione	95
Pannello di controllo	96
Cura e pulizia	97
Sbrinamento del congelatore.....	97
Disponibilità dei ricambi.....	97
Soluzione dei problemi	97
Assistenza tecnica.....	98
Installazione.....	99
Ventilazione.....	100
Installazione nel vano	101
Montaggio dello sportello decorativo	102
Istruzioni di installazione per prodotti con cerniere fisse.....	103
Inversione dello sportello dell'elettrodomestico	104

Vi ringraziamo per aver scelto questo nostro prodotto.

Prima di utilizzare il frigorifero, leggere il presente manuale di istruzioni per massimizzare le prestazioni del prodotto. Riporre tutta la documentazione per utilizzo futuro o per i successivi proprietari. Questo apparecchio è destinato unicamente in ambiente domestico o per applicazioni simili quali:

- La zona cucina destinata al personale di negozi, uffici e altri ambienti lavorativi
- Di beauty farm, alla clientela di hotel, motel e altri ambienti di tipo residenziale
- Nei Bed&Breafast (B&B)
- Per servizi di catering ed applicazioni simili esclusa la vendita al dettaglio.

Questo elettrodomestico deve essere utilizzato unicamente per la conservazione degli alimenti; qualsiasi altro uso è considerato pericoloso e il produttore non è ritenuto responsabile per eventuali omissioni. Si consiglia anche di leggere con attenzione le condizioni di garanzia.

INFORMAZIONI DI SICUREZZA

Leggere attentamente le istruzioni per l'uso e l'installazione. Le istruzioni contengono informazioni importanti relative all'installazione, all'uso e alla manutenzione dell'elettrodomestico. Il produttore non è responsabile del mancato rispetto delle istruzioni e delle avvertenze. Conservare tutta la documentazione per future consultazioni o per i proprietari successivi.

- **Collegare l'elettrodomestico all'alimentazione elettrica solo dopo aver rimosso l'imballo e le protezioni per il trasporto. Tenere lontani i bambini dall'imballo e dai relativi componenti. I cartoni pieghevoli e la pellicola di plastica potrebbero causare il soffocamento.**
- **Lasciare riposare per almeno 4 ore prima dell'accensione per consentire all'olio del compressore di depositarsi se trasportato orizzontalmente**
- **Al momento della consegna, verificare che il prodotto non sia danneggiato e che tutte le parti e gli accessori siano in perfette condizioni**

- **Non danneggiare il circuito del refrigerante**
- **Mantenere libere da qualsiasi ostruzione le aperture di ventilazione nel luogo in cui si trova l'elettrodomestico o nella struttura nella quale è incassato**
- **Non usare mai acqua per lavare la zona del compressore, pulire accuratamente con un panno asciutto dopo la pulizia per evitare la formazione di ruggine**
- **L'elettrodomestico deve essere maneggiato sempre da almeno due persone perché è pesante.**
- **Installare l'elettrodomestico a livello in un'area adatta alle dimensioni e all'uso.**
- **Accertarsi che i dati elettrici sulla targhetta siano conformi all'alimentazione elettrica. In caso contrario, rivolgersi a un elettricista.**
- **L'elettrodomestico funziona con corrente elettrica 220-240 Vca / 50 Hz. Oscillazioni anomale della tensione possono causare il mancato avvio dell'elettrodomestico, danni al controllo della temperatura o al compressore oppure rumori anomali durante il funzionamento. In tal caso, è opportuno montare un regolatore automatico.**
- **Solo per il Regno Unito: il cavo di alimentazione dell'elettrodomestico è dotato di una spina a 3 conduttori (collegata a terra) adatta a una**

presa standard a 3 conduttori (collegata a terra). Non tagliare né smontare mai il terzo conduttore (collegamento a terra). Dopo l'installazione dell'elettrodomestico, la spina deve essere accessibile.

- **Accertarsi che il cavo di rete non sia impigliato sotto l'elettrodomestico durante e dopo il trasporto/spostamento, per evitare che il cavo di rete venga tagliato o danneggiato. Se il cavo di alimentazione dell'elettrodomestico dovesse essere danneggiato, farlo sostituire dal produttore, dal suo servizio tecnico o da un tecnico qualificato, per evitare rischi**
- **Non montare l'elettrodomestico in ambienti polverosi, in presenza di olio o umidità, non esporlo alla luce solare diretta e all'acqua**
- **Non montare l'elettrodomestico vicino a stufe o materiali infiammabili**
- **PER gli elettrodomestici dotati di vano congelatore, non aprire il coperchio in caso di interruzione della corrente. Gli alimenti surgelati non dovrebbero guastarsi se l'interruzione dell'alimentazione dura meno delle ore indicate sull'etichetta della classificazione (tempo di aumento della temperatura). Se l'interruzione dell'alimentazione dura di più, controllare gli alimenti e consumarli immediatamente o ricongelarli solo dopo averli cotti.**

- **Se il coperchio dell'elettrodomestico non si riapre facilmente subito dopo che è stato chiuso, non si tratta di un problema, in quanto tale condizione dipende dalla differenza di pressione che si bilancerà entro pochi minuti consentendo nuovamente l'apertura del coperchio.**
- **Non conservare medicinali, batteri o sostanze chimiche nell'elettrodomestico. Questo elettrodomestico è destinato ad ambienti residenziali, per cui si sconsiglia di conservare materiali che richiedono temperature rigide.**
- **Non piegare troppo o tirare il cavo di alimentazione e non toccare la spina con le mani bagnate**
- **Non conservare nell'elettrodomestico prodotti contenenti propellenti infiammabili (ad es. bombolette spray) o sostanze esplosive. Pericolo di esplosione!**
- **Non collocare elementi instabili (oggetti pesanti, contenitori pieni d'acqua) sopra il frigorifero, per evitare lesioni personali dovute a cadute o scosse elettriche causate dal contatto con l'acqua.**
- **Non usare apparecchi elettrici all'interno degli scomparti per la conservazione degli alimenti dell'elettrodomestico, se questi non sono del tipo consigliato dal produttore**

- **Non toccare gli elementi interni di raffreddamento, specialmente con le mani bagnate, per evitare crepe o lesioni**
- **Sono a rischio i bambini, le persone affette da limitazione delle capacità fisiche, mentali o sensoriali, nonché le persone che non conoscono perfettamente il funzionamento sicuro dell'elettrodomestico. Accertarsi che i bambini e le persone vulnerabili siano consapevoli dei pericoli. Una persona responsabile della sicurezza deve sorvegliare o istruire i bambini e le persone vulnerabili che adoperano l'elettrodomestico. L'elettrodomestico non deve essere utilizzato da bambini di età inferiore a 8 anni.**
- **I bambini non devono giocare con l'elettrodomestico**
- **I bambini dai 3 agli 8 anni possono riempire e svuotare questo elettrodomestico**
- **PER gli elettrodomestici dotati di vano congelatore: non conservare liquidi in bottiglia o in lattina (specialmente bevande gassate) nel vano congelatore. Le bottiglie e lattine possono scoppiare!**
- **PER gli elettrodomestici dotati di vano congelatore: non mettere mai in bocca alimenti surgelati subito dopo averli estratti dal vano congelatore. Pericolo di ustioni dovute alla bassa temperatura!**

- **Accertarsi sempre che i componenti di plastica e la guarnizione dello sportello siano privi di olio e grasso. In caso contrario, i componenti di plastica e la guarnizione dello sportello diventeranno porosi.**
- **Prima di ogni intervento occorre disinserire l'alimentazione elettrica all'elettrodomestico**
- **Non usare dispositivi meccanici o altri strumenti artificiali per accelerare il processo di sbrinamento, diversi da quelli consigliati dal produttore**
- **Non utilizzare oggetti appuntiti o acuminati come coltelli o forchette per rimuovere il ghiaccio. Non utilizzare mai asciugacapelli, riscaldatori elettrici o altri elettrodomestici per lo sbrinamento**
- **Si consiglia di mantenere pulita la spina: eventuali residui di sporco sulla spina possono provocare incendi**
- **Non cercare di riparare, smontare o modificare personalmente l'elettrodomestico. Per le riparazioni rivolgersi sempre all'assistenza clienti.**
- **Sorvegliare i bambini durante la pulizia o la manutenzione dell'elettrodomestico.**
- **Non pulire i ripiani di vetro freddi con acqua calda. Un'improvvisa variazione della temperatura può causare la rottura del vetro.**

- **AVVERTENZA:** i tubi del circuito di refrigerazione trasportano una lieve quantità di refrigerante ecologico ma infiammabile (R600a) e di gas isolante (ciclopentano). Questi prodotti non danneggiano lo strato di ozono e non aumentano l'effetto serra. Se il refrigerante fuoriesce, può lesionare gli occhi o incendiarsi.
- Se il circuito di refrigerazione è visibilmente danneggiato:
 - Spegnerne l'elettrodomestico e staccare la spina dalla rete elettrica.
 - Tenere lontano dall'elettrodomestico fiamme libere e/o fonti di ignizione.
 - Ventilare accuratamente il locale per alcuni minuti.
 - Informare l'assistenza clienti.
- **AVVERTENZA:** per scongiurare il rischio di incendi o scosse elettriche, non danneggiare la spina e/o il cavo di alimentazione.
- **AVVERTENZA:** non adoperare prese multiple o alimentatori portatili. Si sconsiglia l'uso di prolunghe e prese multiple.
- Non tentare di sedersi o stare in piedi sulla parte superiore dell'elettrodomestico, per evitare lesioni personali o danni all'elettrodomestico. Questo elettrodomestico non può essere impilato con altri elettrodomestici.

- **Il prodotto è progettato e costruito solo per uso domestico**
- **È possibile utilizzare solo componenti originali forniti dal produttore. Il produttore garantisce che solo questi componenti soddisfano i requisiti di sicurezza.**
- **L'apertura prolungata della porta può causare un significativo aumento della temperatura nei vani dell'elettrodomestico**
- **Pulire regolarmente le superfici che possono venire a contatto con gli alimenti e i sistemi di scarico accessibili**
- **Pulire i serbatoi dell'acqua se non sono stati utilizzati per 48 ore; sciacquare l'impianto idrico collegato alla rete idrica se l'acqua non è stata prelevata per 5 giorni**
- **Conservare la carne e il pesce crudo in appositi contenitori in frigorifero, in modo che non vengano a contatto con altri alimenti o che non gocciolino su di essi**
- **Gli scomparti per surgelati a due stelle (se presenti nell'elettrodomestico) sono adatti alla conservazione di alimenti pre-congelati, alla conservazione o alla preparazione di gelati e alla produzione di cubetti di ghiaccio**
- **Gli scomparti a una, due e tre stelle (se presenti nell'elettrodomestico) non sono adatti al congelamento di alimenti freschi**

- **Se l'elettrodomestico viene lasciato vuoto per lunghi periodi di tempo, spegnere, sbrinare, pulire, asciugare e lasciare la porta aperta per evitare che si formi muffa all'interno**
- **Per i frigoriferi cantina: Apparecchio destinato esclusivamente alla conservazione del vino**
- **Per gli apparecchi a libera installazione: Apparecchio di refrigerazione non destinato ad essere utilizzato come apparecchio da incasso**
- **Per gli apparecchi senza uno scomparto a 4 stelle: Apparecchio di refrigerazione non idoneo al congelamento di alimenti**

Smaltimento degli elettrodomestici usati



Questo elettrodomestico dispone di contrassegno ai sensi della direttiva europea 2012/19/UE sui rifiuti di apparecchiature elettriche ed elettroniche (RAEE).

La direttiva RAEE riguarda le sostanze inquinanti (che possono causare conseguenze negative per l'ambiente) e i componenti principali (che possono essere riutilizzati). È importante che i RAEE siano sottoposti a trattamenti specifici in modo da togliere e smaltire in modo corretto gli inquinanti, nonché recuperare e riciclare tutti i materiali.

Spetta ai singoli individui garantire che i RAEE non diventino un problema a livello ambientale. Esistono alcune regole specifiche da rispettare:

- I RAEE non devono essere trattati come rifiuti domestici;
- I RAEE devono essere affidati agli speciali centri di raccolta gestiti dai comuni o da società autorizzate. In molti stati è disponibile anche un servizio di raccolta porta a porta per i RAEE.

In caso di acquisto di nuovi elettrodomestici, quelli vecchi possono essere affidati al venditore che li deve ritirare gratuitamente in numero corrispondente agli elettrodomestici acquistati, a condizione che i singoli elettrodomestici siano di tipo simile e con le stesse funzioni di quelli acquistati.

Conformità

Apponendo il marchio **CE** su questo prodotto, confermiamo la conformità a tutti i requisiti di legge europei in materia di sicurezza, salute e tutela ambientale applicabili per legge a questo prodotto.

Garanzia

La garanzia minima è: 2 anni per i Paesi UE, 3 anni per la Turchia, 1 anno per il Regno Unito, 1 anno per la Russia, 3 anni per la Svezia, 2 anni per la Serbia, 5 anni per la Norvegia, 1 anno per il Marocco, 6 mesi per l'Algeria, la Tunisia nessuna garanzia legale richiesta.

Risparmio energetico

Per un maggiore risparmio di energia si consiglia di procedere come segue:

- Installare l'elettrodomestico lontano da fonti di calore, al riparo dall'irradiazione diretta dei raggi solari e in un ambiente ben ventilato.
- Evitare di conservare alimenti caldi nel frigorifero per evitare di aumentare la temperatura interna, provocando un funzionamento continuo del compressore.
- Non riempirlo eccessivamente in modo tale da garantire una corretta circolazione dell'aria.
- Sbrinare l'elettrodomestico in presenza di ghiaccio per facilitare il trasferimento del freddo.
- In caso di mancanza di energia elettrica, si consiglia di lasciare chiusa la porta del frigorifero.
- Aprire o tenere aperte le porte dell'elettrodomestico il meno possibile.
- Evitare di regolare il termometro a temperature troppo basse.
- Togliere la polvere presente nella parte posteriore dell'elettrodomestico.

Per ulteriori informazioni sul prodotto, consultare <https://eprel.ec.europa.eu/> o eseguire la scansione del QR sull'etichetta energetica fornita con l'apparecchio

Prima del primo utilizzo

Lasciare riposare il congelatore per almeno quattro ore prima di accenderlo.

Prima del primo utilizzo, si raccomanda di pulire l'interno dell'elettrodomestico con una soluzione di bicarbonato di sodio e acqua calda, e di asciugarlo perfettamente.

Al primo utilizzo, il congelatore può emettere odori. Tali odori scompariranno mano a mano che l'elettrodomestico si raffredda.

Nota: L'elettrodomestico si avvia con la temperatura impostata a 3 e rimane in funzione ininterrottamente fino a raggiungere la temperatura corretta.

Se l'elettrodomestico viene spento, attendere cinque minuti prima di riaccenderlo, per evitare di danneggiare il compressore.

Non conservare mai nell'elettrodomestico oggetti infiammabili o esplosivi e acidi o alcali altamente corrosivi.

Questo congelatore raffredda gli alimenti raffreddando la parte posteriore interna della cavità. L'accumulo di brina su questa superficie è normale; la brina, poi, si disperde e viene evacuata

tramite un piccolo scarico nella parte inferiore, dove evapora senza produrre danni. La presenza di brina non è indice di malfunzionamento del congelatore.

Uso del congelatore

- Gli scomparti del congelatore sono progettati per conservare solo alimenti surgelati.
- Non collocare mai alimenti caldi nel congelatore; lasciarli raffreddare perfettamente prima di collocarli nel congelatore.
- Per la conservazione degli alimenti surgelati, seguire le istruzioni riportate sulla confezione. In assenza di informazioni, gli alimenti non devono essere conservati per oltre tre mesi dalla data di acquisto.
- Conservare gli alimenti in piccole confezioni (possibilmente inferiori a 2,5 kg). Ciò riduce il tempo di congelamento e migliora la qualità degli alimenti dopo lo scongelamento.
- Avvolgere gli alimenti prima di collocarli nel congelatore. Per evitare che l'involucro aderisca agli alimenti, accertarsi che sia asciutto.
- Etichettare gli alimenti prima del congelamento, indicando il tipo di alimento e le date di conservazione e di scadenza.
- Una volta scongelati, gli alimenti non devono essere ricongelati, a meno che non siano stati completamente cotti. Per evitare sprechi, scongelare solo la quantità di alimenti necessaria.
- Le bevande in bottiglia o in lattina non devono essere conservate nello scomparto del congelatore perché potrebbero esplodere.
- Controllare la targhetta per verificare la quantità massima di alimenti freschi che è possibile congelare entro 24 ore.

Non tentare di congelare alimenti oltre questo valore massimo

Conservazione

Il congelatore serve a conservare gli alimenti a breve-medio termine. Anche se è possibile mantenere basse temperature, si sconsigliano lunghi periodi di conservazione degli alimenti.

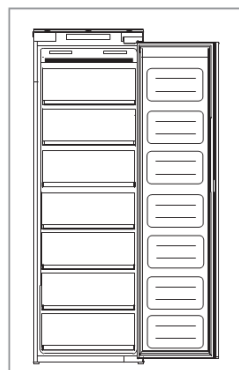
Poiché l'aria fredda circola nel congelatore, la temperatura può variare tra le diverse sezioni. Gli alimenti devono essere conservati in sezioni diverse a seconda del tipo e del periodo di conservazione. Le sezioni inferiori sono le parti più fredde del congelatore.

Le due sezioni superiori sono dotate di sportelli sollevabili che rimangono aperti per facilitare il riempimento e lo svuotamento. Le 5 sezioni rimanenti sono costituite da cassetti.

L'impostazione 6 sul pannello di controllo, rappresentata dal fiocco di neve (Fig. 2), attiva la funzione di congelamento rapido. Deve essere utilizzata per congelare grosse quantità di alimenti. Attivare questa funzione 2 o 3 ore prima di introdurre gli alimenti e non lasciarla attivata per un periodo superiore al necessario.

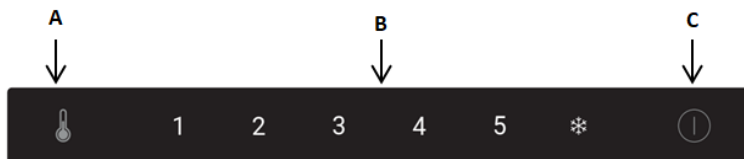
Se si lascia attivata per periodi più lunghi, il sistema di raffreddamento si sovraccarica. La funzione si disattiva automaticamente dopo circa 24 ore.

La configurazione che consente il maggiore risparmio energetico richiede il posizionamento di cassetti, vani alimenti e ripiani nel prodotto; fare riferimento alle immagini precedenti.



- Si consiglia di impostare la temperatura a -18°C nel vano freezer.
- Per gli alimenti surgelati, fare riferimento al tempo di conservazione scritto sulla confezione degli alimenti. Questo tempo di conservazione si ottiene quando l'impostazione rispetta le temperature di riferimento del vano (una stella -6°C, due stelle -12°C, tre stelle -18°C).

Pannello di controllo



A. Sensore di regolazione della temperatura del congelatore

Questo pulsante serve a regolare la temperatura nel congelatore. Premere una sola volta questo sensore per attivare la regolazione, quindi premerlo più volte fino a selezionare il livello desiderato. L'intervallo delle impostazioni è compreso tra 1 e 6, dove 1 è la più calda e il congelamento rapido la più fredda.

Nota: se possibile, evitare di lasciare la temperatura sempre a 5 o di impostare il congelamento rapido (fiocco di neve). In tal modo, si evita il sovraccarico del compressore e del sistema.

B. Display di impostazione della temperatura del congelatore

Questo display indica l'impostazione attuale della temperatura. La regolazione della temperatura può essere effettuata tramite questo display.

Nota: per cambiare la temperatura non utilizzare i numeri da 1 a 5 o il fiocco di neve. Utilizzare, invece, il sensore di regolazione della temperatura del congelatore (A).

Posizione	Condizioni
1-2	Estate o temperatura ambiente compresa tra 25 e 35 °C
3-4	Primavera/autunno o temperatura ambiente compresa tra 15 e 25 °C
5	Inverno o temperatura ambiente compresa tra 5 e 15 °C
Quick Freeze	Congelamento rapido

C. Pulsante di accensione

Premere una sola volta il sensore per attivare la funzione, quindi premerlo per 3 secondi per accendere o spegnere l'elettrodomestico.

Questo prodotto non è dotato di funzione di memoria di spegnimento o interruzione dell'alimentazione.

Cura e pulizia

Prima di effettuare la pulizia o la manutenzione, scollegare sempre l'elettrodomestico dalla fonte di alimentazione.

Pulire le sezioni dei cassetti con una soluzione di bicarbonato di sodio sciolto in acqua tiepida. Non adoperare prodotti o detersivi abrasivi. Dopo il lavaggio, sciacquare e asciugare perfettamente.

Pulire a mano i ripiani e gli scomparti separatamente con un po' d'acqua e detersivo liquido per stoviglie. Non adoperare detersivi o detersivi abrasivi.

Se l'elettrodomestico non verrà utilizzato per lunghi periodi, staccare la spina e pulirlo. Lasciare socchiusi gli sportelli per evitare la formazione di muffa e odori sgradevoli.

Sbrinamento del congelatore

Il congelatore è dotato di un sistema no-frost progettato per evitare massicci accumuli di ghiaccio. In condizioni di utilizzo normali, lo sbrinamento regolare del congelatore non dovrebbe essere necessario.

Nota: se si producono regolarmente notevoli accumuli di ghiaccio o pozze d'acqua nella sezione del congelatore, è probabile che lo sportello non lo sigilli perfettamente. Il problema potrebbe essere causato da una guarnizione difettosa dello sportello, dal montaggio errato, dal peso eccessivo dello sportello decorativo. Per ulteriori informazioni, consultare la sezione relativa alla soluzione dei problemi relativi al ghiaccio.

Nota: se nel congelatore si formano regolarmente pozze d'acqua e accumuli di brina o si nota che il compressore è sempre in funzione, è probabile che lo sportello non sigilli perfettamente l'elettrodomestico. Il problema potrebbe essere causato da una guarnizione difettosa dello sportello, dal montaggio errato, dal peso eccessivo dello sportello decorativo. Per ulteriori informazioni, consultare la sezione relativa alla soluzione dei problemi relativi al ghiaccio a pag. 12.

Disponibilità dei ricambi

- Termostati, sensori di temperatura, schede a circuiti stampati e sorgenti luminose sono disponibili per un periodo minimo di sette anni dall'immissione sul mercato dell'ultima unità del modello;
- Maniglie e cerniere delle porte, vassoi e cesti sono disponibili per un periodo minimo di sette anni e guarnizioni delle porte per un periodo minimo di dieci anni dall'immissione sul mercato dell'ultima unità del modello;

Soluzione dei problemi

In caso di problemi con l'elettrodomestico, consultare le soluzioni indicate prima di chiamare l'assistenza clienti di Montpellier.

Se l'elettrodomestico non funziona, controllare:

- Se all'elettrodomestico arriva corrente.
- Se i fusibili domestici sono integri e se il fusibile nella spina è bruciato.
- Se il congelatore è stato spento.
- Se la presa di corrente funziona. Per effettuare questa prova, inserire un altro apparecchio elettrico per controllare se la presa di corrente è difettosa.

Se l'elettrodomestico funziona male, controllare:

- Se l'elettrodomestico è sovraccarico.
- Se il termostato è impostato su una temperatura adeguata.
- Se gli sportelli si chiudono perfettamente.
- Se il sistema di raffreddamento sul retro dell'elettrodomestico è pulito e privo di polvere e non tocca la parete posteriore.
- Se la ventilazione laterale e posteriore è sufficiente.
- Il problema può verificarsi se gli sportelli decorativi non sono montati correttamente, per cui lo sportello del congelatore non si chiude perfettamente lasciando entrare aria calda. In caso di dubbi, chiedere all'installatore di controllare gli sportelli decorativi.

Se l'elettrodomestico è rumoroso, controllare:

- Se l'elettrodomestico è a livello ed è stabile.
- Se le pareti laterali e quella posteriore sono libere e nessuno oggetto poggia sull'elettrodomestico.
- Nota: il gas refrigerante che circola nel sistema può produrre un lieve rumore (come di bollicine) anche quando il compressore non è in funzione.

Se l'elettrodomestico emette un segnale acustico, controllare:

- Se che lo sportello è chiuso.

In presenza di acqua nella base del congelatore, effettuare i seguenti controlli:

- Accertarsi che l'apertura dello sportello dell'elettrodomestico opponga una certa resistenza. Se lo sportello si apre al minimo tocco, è possibile che la guarnizione dello sportello debba essere sostituita.
- Accertarsi che la guarnizione dello sportello non sia piegata o danneggiata e che non contenga detriti. Se non è possibile risolvere personalmente il problema, rivolgersi all'assistenza clienti per la sostituzione della guarnizione.
- Il problema può verificarsi se gli sportelli decorativi non sono montati correttamente. In caso di dubbi, chiedere all'installatore di controllare gli sportelli decorativi.

Se si è formato troppo ghiaccio nel congelatore:

- La formazione di ghiaccio nel congelatore è normale. Ciò non costituisce un difetto dell'elettrodomestico.
- Accertarsi che l'apertura dello sportello dell'elettrodomestico opponga una certa resistenza. Se lo sportello si apre al minimo tocco, è possibile che la guarnizione dello sportello debba essere sostituita.
- Accertarsi che la guarnizione dello sportello non sia piegata o danneggiata e che non contenga detriti. Se non è possibile risolvere personalmente il problema, rivolgersi all'assistenza clienti per la sostituzione della guarnizione.
- Il problema può verificarsi se gli sportelli decorativi non sono montati correttamente. In caso di dubbi, chiedere all'installatore di controllare gli sportelli decorativi.

Assistenza tecnica

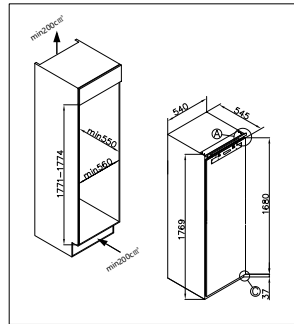
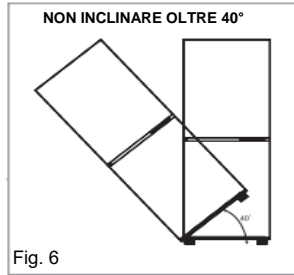
Per contattare l'assistenza tecnica, visitare il nostro sito Web: <https://corporate.haier-europe.com/en/>. Nella sezione "websites", scegli la marca del tuo prodotto e il tuo paese. Verrai reindirizzato al sito specifico dove potrai trovare il numero di telefono e il modulo per contattare l'assistenza tecnica

Installazione

Questo elettrodomestico non deve mai essere installato vicino a fonti di calore (ad es. termosifoni o fornelli) né in luoghi umidi.

Per l'installazione di questo elettrodomestico occorrono almeno due persone. I bordi di questo elettrodomestico possono essere taglienti. Indossare dispositivi di protezione personale adeguati all'attività e all'ambiente.

- Per accertarsi che l'elettrodomestico sia a livello, agire sui piedini regolabili in altezza nella parte anteriore dell'elettrodomestico.
- Il sistema di raffreddamento sul retro dell'elettrodomestico non deve toccare la parete posteriore. Maggiore è la distanza, meglio è.
- L'elettrodomestico deve essere installato in modo da garantire un'adeguata ventilazione. Accertarsi che vi sia spazio libero sopra l'elettrodomestico per consentire la fuoriuscita dell'aria e che vi sia spazio tra la parte posteriore dell'elettrodomestico e la parete.

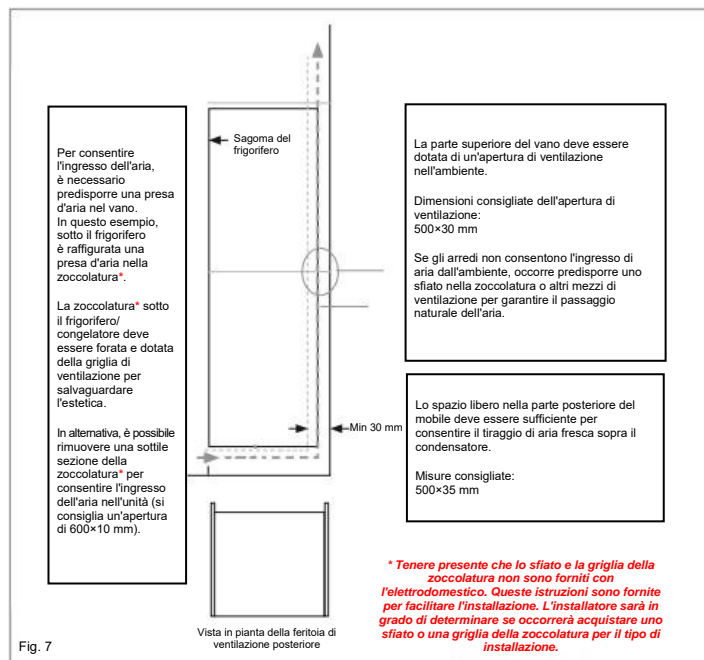


Installare il frigorifero in un luogo in cui la temperatura ambientale corrisponda alla classe climatica indicata nell'etichetta dell'apparecchio:

- Temperata estesa (SN): «Apparecchio di refrigerazione destinato a essere utilizzato a una temperatura ambiente compresa tra 10 °C e 32 °C»
- Temperata (N): «Apparecchio di refrigerazione destinato a essere utilizzato a una temperatura ambiente compresa tra 16 °C e 32 °C»
- Subtropicale (ST): «Apparecchio di refrigerazione destinato a essere utilizzato a una temperatura ambiente compresa tra 16 °C e 38 °C»
- Tropicale (T): «Apparecchio di refrigerazione destinato a essere utilizzato a una temperatura ambiente compresa tra 16 °C e 43 °C»

Ventilazione

Quando si installa un frigorifero in una cucina componibile, è molto importante considerare la ventilazione. Il calore rimosso dallo scomparto di raffreddamento deve essere dissipato nell'atmosfera. Una ventilazione inadeguata può causare guasti prematuri del compressore, consumi energetici eccessivi e guasti totali del sistema, e può invalidare la garanzia fornita con l'elettrodomestico. I prodotti da installare in un mobile alto sono soggetti ai seguenti requisiti:



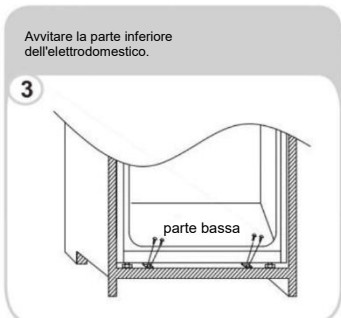
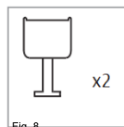
Il canale aperto nella parte posteriore è illustrato chiaramente. Per il corretto funzionamento dell'elettrodomestico è importante che la parte superiore dell'involucro non sia ostruita. Nella maggior parte dei casi, è sufficiente un canale profondo 40-50 mm.

È necessario un foro di ventilazione nella zoccolatura dell'unità in modo da garantire lo scambio termico e il tiraggio dell'aria sopra il compressore. Il flusso d'aria necessario può essere ottenuto rimuovendo una sottile sezione della zoccolatura (si consiglia un'apertura di almeno 600x10 mm).

In generale, maggiore è aria che può entrare e uscire, migliore è il funzionamento del prodotto.

Installazione nel vano

Con l'aiuto di almeno un'altra persona, spostare l'elettrodomestico nel vano. Alla base dell'elettrodomestico sono presenti due piastre metalliche. Su queste piastre montare i distanziatori bianchi (Fig. 8) forniti in dotazione, come indicato nella Fig. 9.



Accertarsi che i labbri dei distanziatori siano a livello con il labbro della base del vano.

Montaggio dello sportello decorativo

- Accertarsi che vi sia una distanza di 3-4 mm tra il lato non incernierato e la parete del vano.
- Individuare il cursore nella staffa e fissarlo allo sportello decorativo a 20-22 mm di distanza dal bordo, come illustrato in Fig. 11, in modo che il cursore sia posizionato centralmente e orizzontalmente all'interno della staffa. Stringere saldamente a mano.
- Riempire lo spazio sul lato non incernierato con la guarnizione o la striscia di tenuta fornita in dotazione, come mostrato in Fig. 12.
- L'aspetto finale dei cursori dello sportello deve essere simile a quello illustrato in Fig. 14, che raffigura due cursori in posizione.
- **Accertarsi che lo sportello dell'elettrodomestico si apra, si chiuda e sigilli perfettamente l'elettrodomestico.**

Al termine, se l'elettrodomestico è inserito correttamente nel vano, piegare e far scattare le parti dei distanziatori bianchi contrassegnati con la lettera "S", come indicato dal contorno tratteggiato in Fig. 13. Lasciare il resto del coperchio del distanziatore in posizione sopra le piastre metalliche.

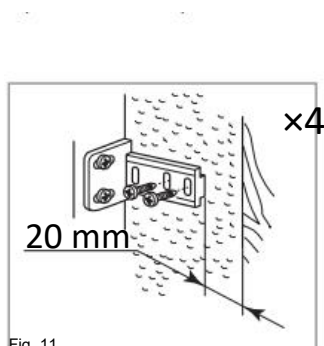


Fig. 11

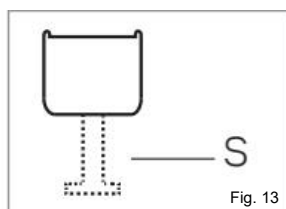


Fig. 13



Fig. 12

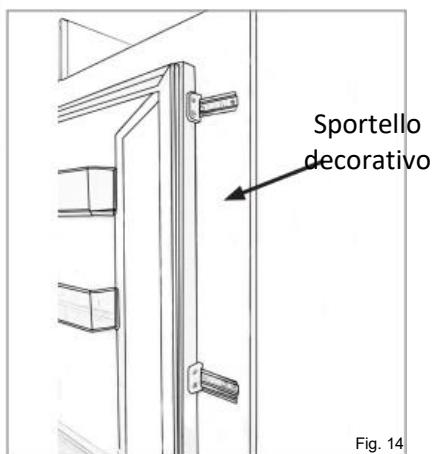
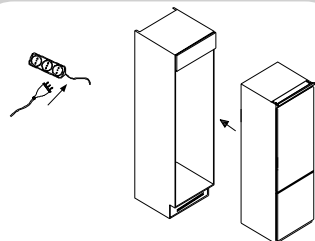


Fig. 14

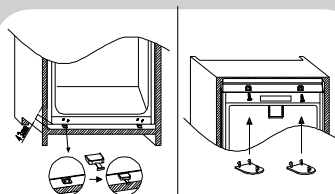
Importante: al termine dell'installazione, accertarsi che l'elettrodomestico sia fissato all'interno dell'unità e che gli sportelli si aprano e si chiudano correttamente. Se le guarnizioni degli sportelli oppongono resistenza all'apertura degli sportelli, è probabile che l'elettrodomestico e/o gli sportelli decorativi non siano stati montati correttamente.

Istruzioni di installazione per prodotti con cerniere fisse.

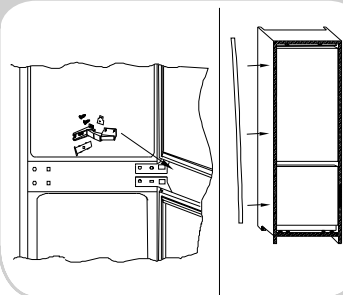
1



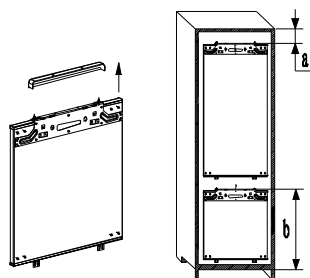
2



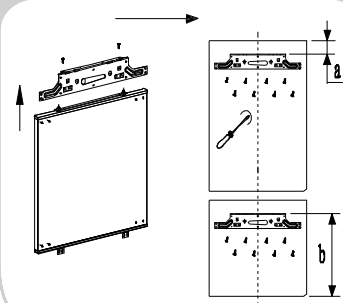
3



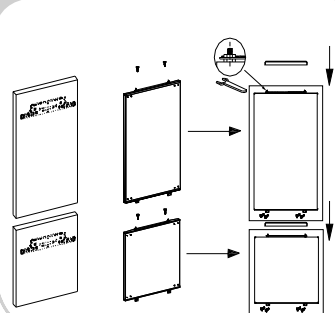
4



5



6

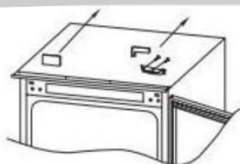


Inversione dello sportello dell'elettrodomestico

Si raccomanda di chiedere aiuto a un'altra persona per sostenere gli sportelli durante l'esecuzione di questa operazione. Indossare dispositivi di protezione personale adeguati all'attività da svolgere. Preparare una superficie con un asciugamano morbido e pulito (o simile) dove collocare lo sportello durante queste operazioni.

Smontare il coperchio della cerniera superiore destra e la cerniera con un cacciavite.

1



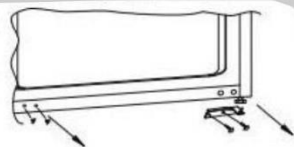
Rimuovere lo sportello.

2



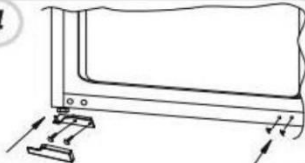
Smontare la cerniera inferiore destra e i tappi di plastica a sinistra, e rimontarli sul lato opposto.

3



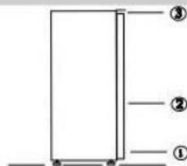
Montare la cerniera superiore destra in basso a sinistra, quindi montare il coperchio.

4



Collocare lo sportello sulla cerniera inferiore e montare le cerniere dal basso verso l'alto, accertandosi che 1-2-3 siano molto vicini.

5



Accertarsi che le guarnizioni sigillino perfettamente lo sportello:

È normale che la guarnizione si comprima dopo l'inversione dello sportello. Con lo sportello chiuso, espandere la guarnizione con un asciugacapelli e riempire lo spazio tra lo sportello e l'involucro dell'elettrodomestico.

Non avvicinare eccessivamente l'asciugacapelli all'elettrodomestico, altrimenti la guarnizione potrebbe danneggiarsi. Una distanza di circa 10 cm dovrebbe essere adeguata.

Al termine, lasciare raffreddare la guarnizione e lo sportello prima di toccarli. Dopo questa operazione, la guarnizione dovrebbe rimanere in posizione.

OVERZICHT

VEILIGHEIDSINFORMATIE	106
Afdanken van oude apparaten	114
Naleving	114
Garantie	114
Energiebesparing	115
Vóór het eerste gebruik	115
Gebruik van vriezers	115
Opslag	116
Bedieningspaneel	117
Onderhoud en reiniging	117
Ontdooien van de vriezer	118
Beschikbaarheid van reserveonderdelen	118
Problemen oplossen	118
Technische assistentie	119
Installatie	119
Ventilatie	121
Installatie in de kast	122
De sleepdeur monteren	123
Installatie-instructies voor producten met vaste scharnieren	124
De deur van het apparaat omkeren	125

Dank u voor de aanschaf van dit product.

Voordat u de koelkast gaat gebruiken dient u deze gebruiksaanwijzing aandachtig te lezen om de maximale prestaties van het apparaat te bereiken. Bewaar alle documentatie voor latere raadpleging of voor andere eigenaars. Dit product is uitsluitend bedoeld voor huishoudelijk gebruik of soortgelijke toepassingen, zoals:

- de personeelskeuken in winkels, kantoren en andere werkomgevingen
- op landbouwbedrijven, door cliënten in hotels, motels en andere woonomgevingen
- in Bed and Breakfasts (B&B)
- voor cateringservices en vergelijkbare toepassingen die niet voor retailverkoop zijn bedoeld.

Dit apparaat mag alleen worden gebruikt om voedsel te conserveren, elk ander gebruik wordt gevaarlijk geacht en de fabrikant aanvaardt geen aansprakelijkheid voor eventuele problemen. Verder adviseren wij u om de garantievoorwaarden te lezen.

VEILIGHEIDSINFORMATIE

Lees de bedienings- en installatieinstructies zorgvuldig door! Ze bevatten belangrijke informatie over de installatie, het gebruik en het onderhoud van het apparaat. De fabrikant is niet aansprakelijk als u zich niet aan de instructies en waarschuwingen houdt. Bewaar alle documenten voor volgend gebruik of voor de volgende eigenaar.

- **Sluit het apparaat niet aan op de elektriciteitsvoorziening voordat alle verpakkingen en transportbeschermers zijn verwijderd. Houd kinderen uit de buurt van verpakkingen en onderdelen. Gevaar voor verstikking van vouwdoosjes en plastic folie!**
- **Laat het apparaat minstens 4 uur staan voordat u het inschakelt, zodat de compressorolie kan bezinken na horizontaal transport**
- **Controleer bij levering of het product niet beschadigd is en of alle onderdelen en accessoires in perfecte staat zijn**
- **Beschadig het koelmiddelcircuit niet.**

- **Zorg dat de ventilatieopeningen in de omkasting van het apparaat of in de inbouwconstructie nooit verstopt raken of afgedekt worden**
- **Gebruik nooit water om de compressor te wassen, veeg deze na het reinigen grondig schoon met een droge doek om roestvorming te voorkomen**
- **Verplaats het apparaat altijd met ten minste twee personen, het is namelijk zwaar.**
- **Installeer het apparaat waterpas op een plaats die geschikt is voor de grootte en het gebruik ervan.**
- **Controleer of de elektrische informatie op het typeplaatje overeenkomt met de stroomvoorziening. Als dat niet het geval is, neem dan contact op met een elektricien.**
- **Het apparaat wordt gebruikt met een voeding van 220-240 VAC/50 Hz. Abnormale spanningsschommelingen kunnen ertoe leiden dat het apparaat niet start of dat de temperatuurregeling of de compressor beschadigd raakt of dat er tijdens het gebruik een abnormaal geluid optreedt. In dat geval moet er een automatische regelaar worden gemonteerd.**
- **Alleen voor Groot-Brittannië: Het netsnoer van het apparaat is voorzien van een 3-pins (geaarde) stekker die past op een standaard 3-**

pins (geaard) stopcontact. De derde pin (aarding) mag nooit worden afgesneden of gedemonteerd. Nadat het apparaat is geïnstalleerd, moet de stekker bereikbaar zijn.

- **Zorg ervoor dat het netsnoer tijdens en na het dragen/verplaatsen van het apparaat niet onder het apparaat blijft vastzitten, om te voorkomen dat het netsnoer doorgesneden of beschadigd wordt. Als het netsnoer beschadigd is, moet het worden vervangen door de fabrikant, zijn servicevertegenwoordiger of andere bevoegde personen om gevaarlijke situaties te voorkomen**
- **Zet het apparaat niet op vochtige, olieachtige of stoffige plaatsen en stel het niet rechtstreeks bloot aan zonlicht en water**
- **Installeer het apparaat niet in de buurt van verwarmingen of ontvlambare materialen**
- **VOOR apparaten met een vriesvak: het deksel niet openen als er een stroomstoring is. Bevroren voedsel mag niet worden beïnvloed als de storing minder lang duurt dan de uren die op het etiket worden vermeld (Stijgtijd temperatuur). Als de storing langer duurt, moet het voedsel worden gecontroleerd en onmiddellijk worden geconsumeerd of bereid en daarna opnieuw ingevroren.**
- **Maakt u zich geen zorgen als het deksel van de diepvrieskist meteen nadat u hem heeft**

gesloten moeilijk te openen is. Dit komt door het drukverschil, dat gewoonlijk na enkele minuten verdwijnt waardoor het deksel gewoon kan worden geopend.

- Bewaar geen geneesmiddelen, bacteriën of chemische middelen in het apparaat. Dit apparaat is een huishoudelijk apparaat, het wordt niet aanbevolen om materialen op te slaan die strikte temperaturen vereisen.
- Trek niet aan het snoer en knik het niet; raak het niet met natte handen aan
- Bewaar geen producten die ontvlambare drijfgassen (bijv. spuitbussen) of explosieve stoffen bevatten in het apparaat. Risico op explosie!
- Plaats geen onstabiele voorwerpen (zware voorwerpen, containers gevuld met water) bovenop de koelkast, om persoonlijk letsel door vallen of elektrische schokken door contact met water te voorkomen.
- Gebruik geen elektrische apparaten in de bewaarvakken voor voedingsmiddelen van het apparaat, tenzij ze van het door de fabrikant aanbevolen type zijn
- Raak de interne koelelementen niet aan, vooral niet met natte handen, om scheuren of verwondingen te voorkomen
- Kinderen, mensen met beperkte lichamelijke, mentale of zintuiglijke vermogens, en mensen

die onvoldoende kennis hebben over de veilige bediening van het apparaat lopen een groter risico. Controleer of kinderen en kwetsbare mensen de gevaren hebben begrepen. Een persoon die verantwoordelijk is voor de veiligheid moet toezicht houden op of instructies geven aan kinderen en kwetsbare personen die het apparaat gebruiken. Alleen kinderen van 8 jaar en ouder mogen het apparaat gebruiken.

- **Kinderen mogen niet met het apparaat spelen**
- **Kinderen van 3 tot 8 jaar mogen dit apparaat in- en uitladen**
- **VOOR apparaten met een vriesvak: bewaar geen vloeistoffen in flessen of blik (vooral geen koolzuurhoudende dranken) in het vriesvak. Flessen en blikken kunnen barsten!**
- **VOOR apparaten met een vriesvak: plaats bevroren voedsel nooit rechtstreeks uit het vriesvak in uw mond. Risico op vrieswonden!**
- **Houd plastic onderdelen en de afdichting van de deur vrij van olie en vet. Anders zullen plastic onderdelen en de deurafdichting poreus worden.**
- **Haal de stekker uit het stopcontact voordat u welke handeling dan ook op het apparaat gaat verrichten**
- **Gebruik geen mechanische apparaten of andere middelen om het ontdooien te**

versnellen, behalve degene die worden aanbevolen door de fabrikant

- Gebruik geen puntige of scherpe voorwerpen zoals messen of vorken om de ijsafzettingen te verwijderen. Gebruik nooit föhnen, elektrische verwarmingstoestellen of andere dergelijke elektrische apparaten om te ontdooien
- Geadviseerd wordt om de stekker schoon te houden, stof op de stekker kan de oorzaak zijn van brand
- Probeer het apparaat niet zelf te repareren, te demonteren of te wijzigen. In geval van reparatie kunt u altijd contact opnemen met onze klantenservice.
- Houd tijdens het schoonmaken of onderhouden van het apparaat toezicht op kinderen.
- Reinig de koude glazen planken niet met heet water. Door plotselinge temperatuurveranderingen kan het glas breken.
- **WAARSCHUWING:** De leidingen van het koelcircuit transporteren een kleine hoeveelheid milieuvriendelijk maar ontvlambaar koelmiddel (R600a) en isolatiegas (cyclopentaan). Het is niet schadelijk voor de ozonlaag en vergroot het broeikas effect niet. Als het koelmiddel ontsnapt, kan het letsel aan uw ogen veroorzaken of ontbranden.

- **Als het koelcircuit beschadigd raakt:**
 - Schakel het apparaat uit en trek de stekker uit het stopcontact.
 - Houd open vlammen en/of ontstekingsbronnen uit de buurt van het apparaat.
 - Ventileer de ruimte enkele minuten grondig.
 - Breng de klantenservice op de hoogte.
- **WAARSCHUWING:** Beschadig de stekker en/of het netsnoer niet; dit kan elektrische schokken of brand veroorzaken.
- **WAARSCHUWING:** Gebruik geen meerdere draagbare stopcontacten of draagbare voedingen. We raden het gebruik van verlengsnoeren en multi-adapters niet aan."
- **Probeer niet op de bovenkant van het apparaat te zitten of staan. U kunt uzelf verwonden of het apparaat beschadigen. Dit apparaat is niet ontworpen om op andere apparaten te stapelen.**
- **Het product is uitsluitend ontworpen en gebouwd voor huishoudelijk gebruik**
- **Alleen originele onderdelen die door de fabrikant worden geleverd, mogen worden gebruikt. De fabrikant garandeert dat alleen deze onderdelen aan de veiligheidseisen voldoen.**
- **Het langdurig openen van de deur kan leiden tot een aanzienlijke verhoging van de**

temperatuur in de compartimenten van het apparaat

- **Reinig regelmatig oppervlakken die in contact kunnen komen met levensmiddelen en toegankelijke afvoersystemen**
- **Reinig waterreservoirs als ze 48 uur niet zijn gebruikt; spoel de waterinstallatie door als er gedurende 5 dagen geen water is aangezogen**
- **Bewaar rauw vlees en vis in geschikte recipiënten in de koelkast, zodat deze niet in contact komen met of druipen op ander voedsel**
- **De diepvriesvakken met twee sterren (als ze in het apparaat aanwezig zijn) zijn geschikt voor het bewaren van vooringevroren levensmiddelen, het bewaren of maken van ijs en het maken van ijsblokjes**
- **Een-, twee- en drie-sterren compartimenten (als ze in het apparaat aanwezig zijn) zijn niet geschikt voor het invriezen van verse levensmiddelen**
- **Als het apparaat gedurende lange tijd leeg is, moet u het uitschakelen, ontdooien, reinigen, drogen en de deur open laten om schimmelvorming in het apparaat te voorkomen**
- **Voor wijnbewaarkasten: Dit apparaat is uitsluitend bedoeld voor het bewaren van wijn**

- **Voor een vrijstaand apparaat: Dit koelapparaat is niet bedoeld om te worden gebruikt als inbouwapparaat**
- **Voor apparaten zonder 4-sterrencompartiment: dit koelapparaat is niet geschikt voor het invriezen van levensmiddelen**

Afdanken van oude apparaten



Dit apparaat is voorzien van een merkteken in overeenstemming met de Europese richtlijn 2012/19/EU inzake Afgedankte Elektrische en Elektronische Apparatuur (AEEA).

AEEA bevat vervuilende stoffen (die negatieve gevolgen voor het milieu kunnen hebben) en basisonderdelen (die hergebruikt kunnen worden). Het is belangrijk om AEEA specifieke behandelingen te laten ondergaan, teneinde alle vervuilende stoffen te verwijderen of op de juiste manier af te voeren en alle materialen terug te winnen en te recyclen.

Personen kunnen een belangrijke rol spelen om ervoor te zorgen dat AEEA niet in het milieu terecht komt; hiervoor moeten enkele elementaire regels worden gevolgd:

- AEEA mag niet worden behandeld als gewoon huisvuil;
- AEEA moet naar een speciaal gemeentelijk inzamelpunt of naar geregistreerde bedrijven worden gebracht. In veel landen wordt grote AEEA thuis opgehaald.

Wanneer u een nieuw apparaat koopt, kunt u in veel landen uw oude apparaat inleveren bij de leverancier, die het gratis meeneemt, zolang de apparatuur van hetzelfde type is en dezelfde functies heeft als de geleverde apparatuur.

Naleving

Door het aanbrengen van de **CE**-markering op dit product, verklaren wij onder onze eigen verantwoordelijkheid dat dit product in overeenstemming is met alle Europese wettelijke voorschriften met betrekking tot de vereisten inzake veiligheid, gezondheid en milieu.

Garantie

Minimumgarantie is: 2 jaar voor EU-landen, 3 jaar voor Turkije, 1 jaar voor het Verenigd Koninkrijk, 1 jaar voor Rusland, 3 jaar voor Zweden, 2 jaar voor Servië, 5 jaar voor Noorwegen, 1 jaar voor Marokko, 6 maanden voor Algerije, Tunesië geen wettelijke garantie vereist.

Energiebesparing

Voor meer energiebesparing adviseren we het volgende:

- Plaats het apparaat uit de buurt van warmtebronnen en niet blootgesteld aan direct zonlicht, in een goed geventileerde ruimte.
- Vermijd het plaatsen van warm voedsel in de koelkast om te voorkomen dat de interne temperatuur stijgt en dat de compressor dus continu in werking blijft.
- Zet niet te veel voedsel in het apparaat, want er moet voldoende lucht kunnen circuleren.
- Ontdooi het apparaat als er zich ijs gevormd heeft, om de koudeoverdracht te bevorderen.
- Als de stroom uitvalt, is het raadzaam de koelkastdeur gesloten te houden.
- Open de deuren van het apparaat zo weinig mogelijk en houd ze zo kort mogelijk open.
- Zet de thermostaat niet op te lage temperaturen.
- Verwijder het stof van de achterkant van het apparaat

Voor meer informatie over het product, raadpleeg <https://eprel.ec.europa.eu/> of scan de QR-code op het energielabel dat bij het apparaat is geleverd.

Vóór het eerste gebruik

Laat de vriezer minstens vier uur staan voordat u hem inschakelt.

Het wordt aanbevolen om de binnenkant van het apparaat te reinigen voor het eerste gebruik, met een oplossing van natriumbicarbonaat en warm water en vervolgens de binnenkant grondig te drogen.

De vriezer kan een geur hebben bij het eerste gebruik. Deze verdwijnt als het apparaat koelt.

Let op:

Het apparaat start op de temperatuurinstelling 3 en werkt continu totdat de temperatuur is gedaald tot het juiste niveau.

Als het apparaat is uitgeschakeld, moet u vijf minuten wachten voordat u het opnieuw inschakelt om onnodige schade aan de compressor te voorkomen.

Bewaar nooit ontvlambare of explosieve voorwerpen en sterke zuren of basen in het apparaat.

Deze vriezer koelt uw voedsel door de binnenste achterwand koud te maken. Het is normaal dat er berijping ontstaat op dit oppervlak; het verdwijnt en wordt afgevoerd door een kleine afvoer in de bodem, waar het onschadelijk verdamp. De aanwezigheid van wat berijping is geen defect van de vriezer.

Gebruik van vriezers

- De vriezercompartimenten zijn ontworpen om alleen bevroren voedsel te bewaren.
- Zet nooit hete of warme voedingsmiddelen in de vriezer, laat ze volledig afkoelen voordat u ze in de vriezer zet.
- Volg de instructies op de verpakking van het voedsel voor het bewaren van bevroren voedsel. Als er geen informatie op de verpakking staat, mogen levensmiddelen niet langer dan drie maanden na de datum van aankoop worden bewaard.
- Bewaar voedsel in kleine verpakkingen (idealiter minder dan 2,5 kg). Dit vermindert de vriestijd en verbetert de kwaliteit van het voedsel na ontdooien.

- Omwikkel voedsel voordat u het in de vriezer plaatst. Om te voorkomen dat de verpakking aan elkaar vastvriest, moet u ervoor zorgen dat deze droog is.
- Etiketteer het voedsel vóór het invriezen met informatie zoals het type voedsel, de datum van bewaring en de houdbaarheid.
- Wanneer het voedsel is ontdooid, mag het niet opnieuw worden ingevroren, tenzij het volledig is gekookt. Ontdooi niet meer voedsel dan nodig is, om verspilling te voorkomen.
- Gebottelde dranken of dranken in blik mogen niet in het vriesvak worden bewaard omdat deze kunnen ontploffen.
- Controleer het typeplaatje voor de maximale hoeveelheid vers voedsel die binnen een periode van 24 uur bevroren kan worden.

Probeer niet meer dan het maximum te invriezen.

Opslag

De vriezer is bestemd voor korte tot middellange bewaring van voedsel. Hoewel lage temperaturen kunnen worden gehandhaafd, wordt het niet aanbevolen om voedsel lange periodes te bewaren.

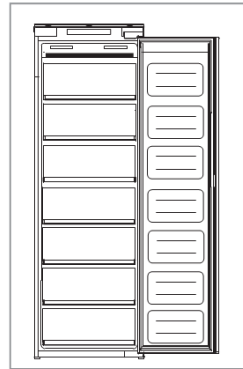
Omdat de koude lucht in de vriezer circuleert, kan de temperatuur tussen de verschillende delen variëren. Levensmiddelen moeten daarom naar gelang van de aard en de opslagtermijn in verschillende secties worden bewaard.

De onderste delen zijn de koudste delen van de vriezer.

De bovenste twee secties hebben kleppen die omhoog kunnen worden gebracht en open blijven om het voedsel gemakkelijk in de vriezer te kunnen leggen en eruit te halen. De resterende 5 secties zijn lades.

De 6e instelling op het bedieningspaneel, vertegenwoordigd door de sneeuwvlok (Fig. 2), is een supervriesfunctie. Deze moet worden gebruikt bij het invriezen van grote hoeveelheden voedsel. Activeer deze functie 2 of 3 uur voordat u het voedsel aanbrengt en laat deze niet langer dan nodig draaien.

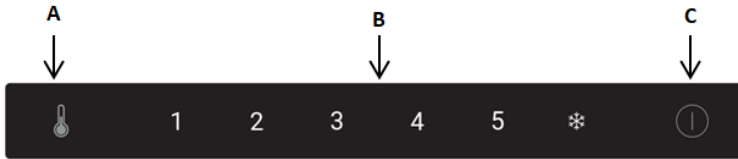
Door het apparaat langer te laten draaien, wordt het koelsysteem onnodig belast. De functie schakelt automatisch uit na ongeveer 24 uur.



De meest energiebesparende configuratie vereist dat lades, levensmiddelenschappen en planken in het product worden geplaatst, zie de bovenstaande afbeeldingen.

- Geadviseerd wordt om de temperatuur in het vriesvak op -18°C .
- Raadpleeg voor diepvriesproducten de bewaartijd die op de verpakking van het voedingsmiddel vermeld staat. Deze bewaartijd wordt bereikt wanneer de instelling in overeenstemming is met de referentietemperaturen van het vriesvak (één ster -6°C , twee sterren -12°C , drie sterren -18°C).

Bedieningspaneel



A. Sensor aanpassing vriezertemperatuur

Deze knop wordt gebruikt om de temperatuur in de vriezer aan te passen. Druk eenmaal op deze sensor om het aanpassen in te schakelen, en daarna zo vaak als nodig is totdat het gewenste niveau is geselecteerd. De instellingen variëren van 1 tot 6, waarbij 1 de warmste en supervriezen de koudste is.

Let op: Vermijd voor zover mogelijk dat de temperatuurinstelling altijd op 5 of supervriezen (sneeuwvlok) blijft staan. Dit helpt om de belasting van de compressor en het systeem te verlichten.

B. Instelscherm vriezertemperatuur

Op dit display wordt de huidige temperatuurinstelling verlicht weergegeven. Het afstellen van de temperatuur verloopt via deze weergave.

Let op: Gebruik niet de cijfers 1 t/m 5 of de sneeuwvlok om de temperatuur te veranderen. Gebruik in plaats daarvan de sensor voor het aanpassen van de vriezertemperatuur (A).

Positie	Condities
1-2	Zomer of omgevingstemperatuur tussen 25-35°C.
3-4	Lente, herfst of omgevingstemperatuur tussen 15-25°C.
5	Winter of omgevingstemperatuur tussen 5-15°C.
Super-freezing	Snel invriezen

C. Aan/uit-knop

Druk eenmaal op de sensor om de functie te activeren en houd deze vervolgens 3 seconden ingedrukt om het apparaat in of uit te schakelen.

Dit product heeft geen uitschakel- of stroomstoringsgeheugenfunctie.

Onderhoud en reiniging

Trek de stekker van het apparaat altijd uit het stopcontact voordat u het schoonmaak of onderhoud uitvoert.

Het gedeelte met de laden moet worden gereinigd met een bicarbonaat-oplossing van soda en lauw water. Gebruik geen schurende producten of reinigingsmiddelen. Na het wassen, spoelen en grondig drogen.

Reinig de compartimenten afzonderlijk met de hand met een milde oplossing van afwasmiddel en water. Gebruik geen schurende reinigingsmiddelen.

Als het apparaat gedurende langere tijd niet wordt gebruikt, trekt u de stekker uit het stopcontact en reinigt u het apparaat. Laat de deuren iets open staan om te voorkomen dat er schimmel en onaangename geuren ontstaan.

Ontdooien van de vriezer

De vriezer heeft een no-froststelsel dat is ontworpen om te voorkomen dat er zich veel ijs ophoopt. Bij normaal gebruik is het niet nodig om het vriezersysteem regelmatig te ontdooien.

Let op: Als u regelmatig een grote ophoping van ijs, of plasjes water, in het vriezergedeelte vindt, dan is het waarschijnlijk dat de deur niet goed wordt afgesloten. Dit kan te wijten zijn aan een defecte deurafdichting of een verkeerd aangebrachte, of te zware inbouwdeur. Raadpleeg voor meer informatie de probleemoplossingssectie over ijs.

Let op: Als u regelmatig plasjes water of ijsophopingen in de vriezer vindt, of als u merkt dat de compressor altijd werkt, dan is het waarschijnlijk dat de deur niet goed is afgedicht. Dit kan te wijten zijn aan een defecte deurafdichting of een verkeerd aangebrachte, of te zware inbouwdeur. Raadpleeg voor meer informatie de paragraaf over het oplossen van problemen over ijs op pagina 12.

Beschikbaarheid van reserveonderdelen

- Thermostaten, temperatuursensoren, printplaten en lichtbronnen, voor een minimumperiode van zeven jaar nadat het laatste exemplaar van het model op de markt is gebracht;
- deurklinken, deurscharnieren, bladen en manden voor een minimumperiode van zeven jaar en deurafdichtingen voor een minimumperiode van tien jaar, nadat het laatste exemplaar van het model op de markt is gebracht;

Problemen oplossen

Als u problemen hebt met uw apparaat, moet u de probleemoplossing controleren voordat u de Montpellier klantenservice belt.

Als het apparaat niet werkt, controleer dan het volgende:

- Of het apparaat stroom heeft.
- Of de zekeringen in de behuizing intact zijn en de zekering in de stekker niet is doorgeslagen.
- Of de vriezer niet is uitgeschakeld
- Of het stopcontact goed werkt. Steek om dit te controleren de stekker van een ander elektrisch apparaat in het stopcontact om te zien of het stopcontact defect is.

Als het apparaat werkt, maar niet erg goed, controleer dan het volgende:

- Het apparaat is niet overbelast.
- De thermostaat is op de juiste temperatuur ingesteld.
- De deuren sluiten goed.
- Het koelsysteem aan de achterkant van het apparaat is schoon en stofvrij en raakt de achterwand niet aan.
- Er is genoeg ventilatie aan de zijkant en achterwanden.
- Dit kan komen doordat de inbouwdeur(en) niet goed is/zijn gemonteerd, waardoor de deur van de vriezer niet goed dichtgaat zodat er warme lucht in komt. Als u helemaal niet zeker bent, vraag dan uw installateur om de inbouwdeuren te controleren.

Controleer het volgende als het apparaat veel geluid maakt:

- Het apparaat staat waterpas en is stabiel.

- De zijkant en achterwanden zijn vrij , en er staat niets op het apparaat.
- Opmerking: Het koelgas in het systeem kan een licht borrelend of gorgelend geluid maken, zelfs als de compressor niet loopt.

Controleer het volgende als het apparaat piept:

- Of de deur gesloten is.

Als er water in de bodem van de vriezer staat, controleer dan het volgende:

- Controleer of er enige weerstand is bij het openen van de deur van het apparaat. Als de deur bij de lichtste aanraking al open gaat, kan dat betekenen dat de deurafdichting vervangen moet worden.
- Controleer de deurafdichting op kronkels, vuil of beschadigingen. Als u die aantreft, maar het probleem niet zelf kunt oplossen, neem dan contact op met de klantenservice zodat de afdichting kan worden vervangen.
- Dit kan te wijten zijn aan het feit dat de inbouwdeur(en) niet goed is/zijn gemonteerd. Als u helemaal niet zeker bent, vraag dan uw installateur om de inbouwdeuren te controleren.

Als in de vriezer overmatig ijs is gevormd:

- Het is normaal dat er een beetje ijs wordt gevormd in de vriezer. Dit is geen defect van het apparaat.
- Controleer of er enige weerstand is bij het openen van de deur van het apparaat. Als de deur bij de lichtste aanraking al open gaat, kan dat betekenen dat de deurafdichting vervangen moet worden.
- Controleer de deurafdichting op kronkels, vuil of beschadigingen. Als u die aantreft, maar het probleem niet zelf kunt oplossen, neem dan contact op met de klantenservice zodat de afdichting kan worden vervangen.
- Dit kan te wijten zijn aan het feit dat de inbouwdeur(en) niet goed is/zijn gemonteerd. Als u helemaal niet zeker bent, vraag dan uw installateur om de inbouwdeuren te controleren.

Technische assistentie

Ga naar onze website om contact op te nemen met de technische ondersteuning: <https://corporate.haier-europe.com/en/> .Kies onder de sectie "website" het merk van uw product en uw land. U wordt doorgestuurd naar de specifieke website waar u het telefoonnummer en formulier kunt vinden om contact op te nemen met de technische assistentie

Installatie

Dit apparaat mag nooit dicht bij warmtebronnen worden geïnstalleerd, bv. verwarmingselementen of kooktoestellen, noch op vochtige plaatsen.

Vraag één of twee andere personen om hulp bij het installeren van dit apparaat. Dit apparaat kan scherpe randen hebben. Draag PBM die geschikt zijn voor de taak en het milieu.

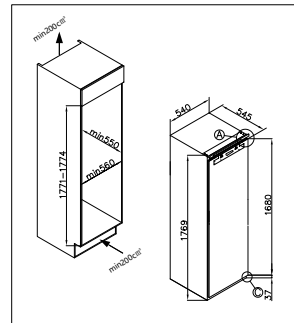
- Om ervoor te zorgen dat het apparaat waterpas staat, moet

u gebruik maken van de in hoogte instelbare pootjes aan de voorkant van het apparaat.

- Het koelsysteem aan de achterkant van het apparaat mag de achterwand niet raken. Hoe groter de ruimte, hoe beter.
- Het apparaat moet worden geïnstalleerd met voldoende ventilatie. Zorg ervoor dat er boven het apparaat ruimte is om lucht te laten ontsnappen en dat er ruimte is tussen de achterkant van het apparaat en de wand.

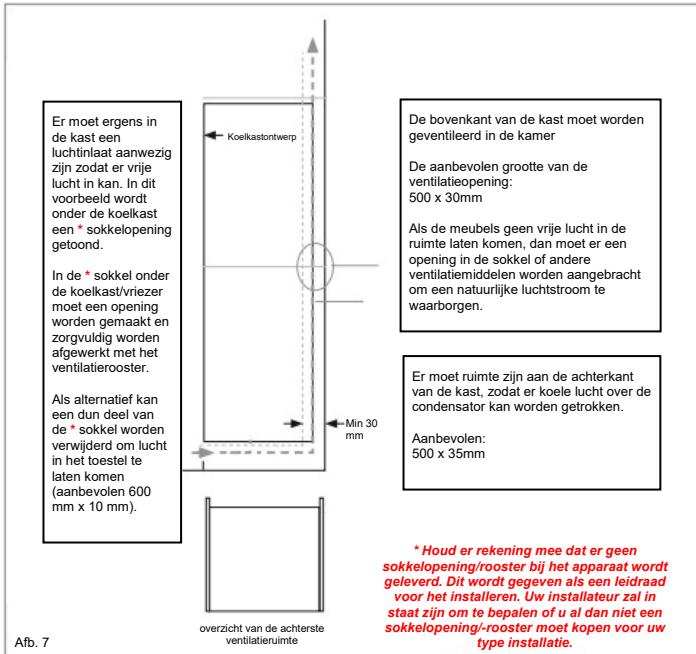
Installeer dit apparaat op een plaats waar de omgevingstemperatuur overeenkomt met de klimaatklasse die vermeld staat op het typeplaatje van het apparaat:

- Uitgebreid gematigd (SN): "dit koelapparaat is bedoeld voor gebruik bij omgevingstemperaturen van 10 °C tot 32 °C"
- Gematigd (N): "dit koelapparaat is bedoeld voor gebruik bij omgevingstemperaturen van 16 °C tot 32 °C"
- Subtropisch (ST): "dit koelapparaat is bedoeld voor gebruik bij omgevingstemperaturen van 16 °C tot 38 °C"
- Tropisch (T): "dit koelapparaat is bedoeld voor gebruik bij omgevingstemperaturen van 16 °C tot 43 °C"



Ventilatie

Bij het installeren van een koeleenheid in een inbouwkeuken is ventilatie de belangrijkste factor. De warmte die uit het koelgedeelte wordt verwijderd, moet in de omgeving worden afgevoerd. Onjuiste ventilatie kan leiden tot voortijdige compressorstoring, overmatig elektriciteitsverbruik, totale storing van het systeem en kan de bij het apparaat geleverde garantie ongeldig maken. Voor producten die bestemd zijn om in een hoge inbouw eenheid te worden geïnstalleerd, moet aan de volgende eisen worden voldaan:



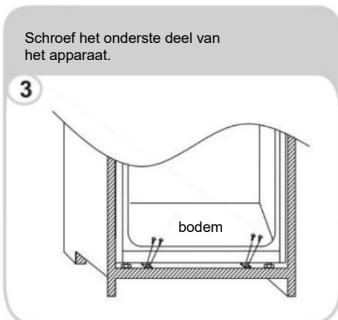
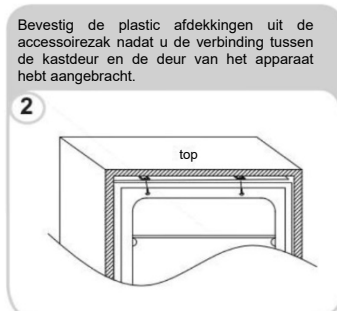
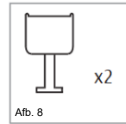
Het open kanaal aan de achterkant is duidelijk zichtbaar. Voor de correcte werking van het apparaat is het belangrijk dat de bovenkant van de behuizingseenheid niet wordt geblokkeerd. Een kanaaldiepte van 40-50 mm is normaal bij de meeste eenheden.

Er is een ventilatiegat nodig in de sokkel van het toestel; daardoor kan er lucht over de compressor & warmtewisselaar worden getrokken. De vereiste luchtstroom kan worden bereikt door een dunne laag (600 mm x 10 mm wordt aanbevolen) van de sokkel te verwijderen.

In de regel, hoe meer lucht in en uit kan, hoe beter en efficiënter de werking van het product.

Installatie in de kast

Plaats het apparaat met behulp van één of twee andere personen in de kast. Aan de onderkant van het apparaat zijn twee metalen platen. Plaats de bijgeleverde witte afstandhouders (Fig. 8) op deze platen, zoals aangegeven op Fig. 9.

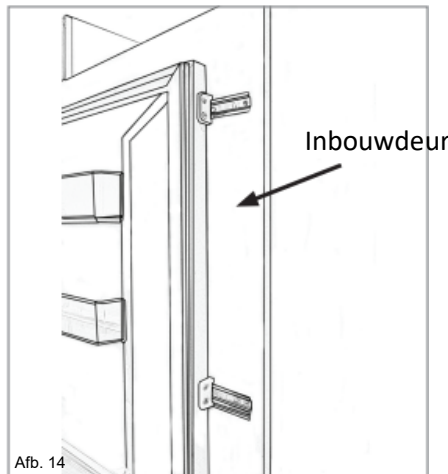
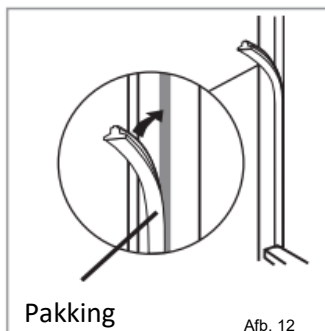
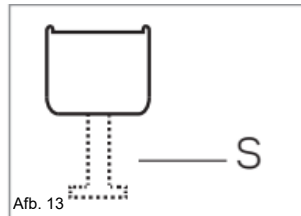
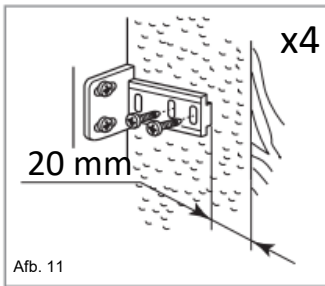


Zorg ervoor dat de lippen van de afstandhouders gelijk zijn met de lip van de kastbasis.

De sleepdeur monteren

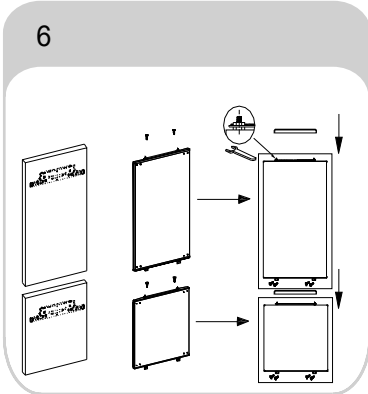
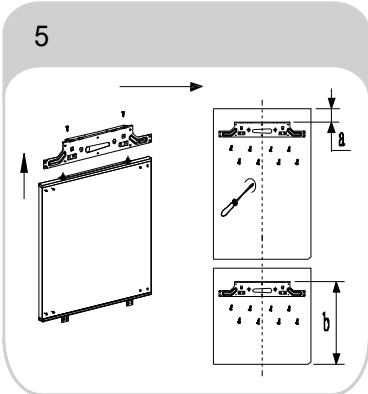
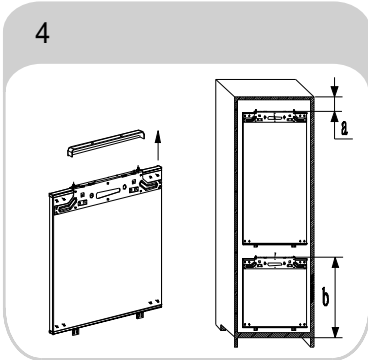
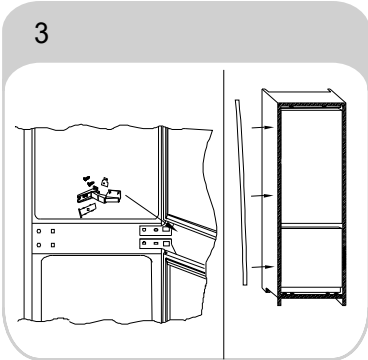
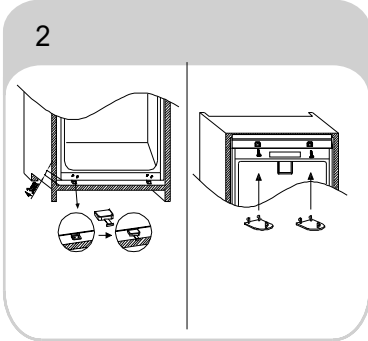
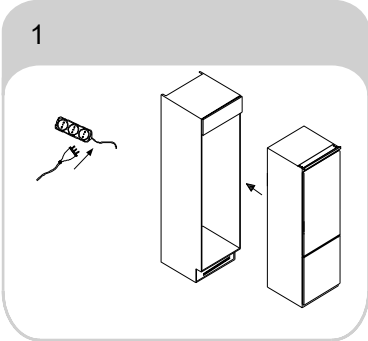
- Zorg ervoor dat er een afstand van 3 tot 4 mm is tussen de niet-gescharnierde zijde en de kastwand.
- Zoek de schuif in de beugel op en bevestig de schuif aan de sleepdeur op 20 tot 22 mm vanaf de rand van de rail, zoals te zien is op fig. 11, waarbij u ervoor zorgt dat de schuif centraal en horizontaal binnen de beugel wordt geplaatst. Bevestig deze stevig met de hand.
- Vul de opening aan de niet-gescharnierde kant met de bijgeleverde pakking/afdichtingsstrook, zoals te zien is op Fig. 12.
- De afgewerkte deurschuiven moeten eruit zien zoals op afbeelding 14, waarop 2 aangebrachte schuiven te zien zijn.
- **Zorg ervoor dat de deur van het apparaat goed open en dicht gaat en goed is afgedicht.**

Enmaal voltooid, en als u tevreden bent met de montage van het apparaat in de kast, buigt en breekt u de delen van de witte afstandhouders gemarkeerd met de „S” af op de stippellijn die te zien is in fig. 13. Laat de rest van de afstandhouder op zijn plaats op de metalen platen.



Belangrijk: Nadat de installatie is voltooid, moet u controleren of het apparaat in het toestel is bevestigd en of de deur(en) goed dicht en open gaan. Als de afdichtingen van de deur geen weerstand bieden bij het openen van de deuren, is het waarschijnlijk dat het apparaat en/of de inbouwdeuren niet goed zijn aangebracht.

Installatie-instructies voor producten met vaste scharnieren.

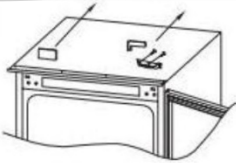


De deur van het apparaat omkeren

Wij raden u aan de hulp van iemand anders te vragen om de deuren tijdens deze handeling te ondersteunen. Draag altijd geschikte PBM (Persoonlijke beschermingsmiddelen) voor de taak die u gaat uitvoeren. Bereid een oppervlak voor met een zachte, schone handdoek of dergelijke, waar u de deur op kunt leggen tijdens deze stappen.

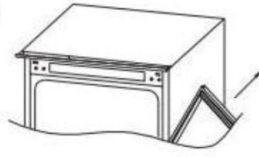
Verwijder de afdekking van het bovenste scharnier rechts en het scharnier met een schroevendraaier.

1



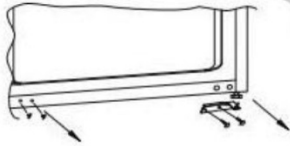
Verwijder de deur.

2



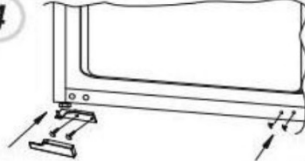
Verwijder het onderste scharnier rechts en de linker plastic doppen en bevestig ze aan de andere kant.

3



Plaats het bovenste scharnier rechts onderaan en bevestig de afdekking.

4



Bevestig de deur op het onderste scharnier en bevestig het bovenste scharnier aan de bovenkant, zorg ervoor dat 1-2-3 zeer dicht bij elkaar zijn

5



Zorg ervoor dat de deur correct wordt afdicht:

Het is normaal dat de afdichting samengedrukt is nadat de deur is omgedraaid. Gebruik met de dichte deur een haardroger om de afdichting weer omhoog te brengen om de ruimte tussen de deur en het hoofddeel van het apparaat op te vullen.

Zorg ervoor dat u de haardroger niet te dicht bij het apparaat gebruikt, wat de afdichting zou kunnen beschadigen. Een afstand van ongeveer 10 cm moet voldoende zijn.

Laat de afdichting en de deur na afloop afkoelen voordat u ze aanraakt. Na afloop moet de afdichting op zijn plaats blijven.

SPIS TREŚCI

INFORMACJE DOTYCZĄCE BEZPIECZEŃSTWA	126
Usuwanie starych urządzeń.....	135
Zgodność.....	136
Gwarancji.....	136
Oszczędzanie energii	136
Przed pierwszym użyciem	137
Użycie zamrażarki	137
Przechowywanie.....	138
Panel sterowania	138
Rozmrażanie zamrażarki.....	139
Dostępność części zamiennych	139
Usuwanie usterek	140
Pomoc techniczna.....	141
Instalacji.....	141
Wentylacja.....	142
Instalacja w szafie.....	143
Montaż drzwi maskujących	144
Instrukcja montażu produktów z zawiasami stałymi.....	145
Odwroćenie drzwi urządzenia	146

Dziękujemy za zakup tego produktu.

Przed użyciem swojej lodówki zapoznaj się uważnie z niniejszą instrukcją obsługi, aby zapewnić jej jak najlepsze działanie. Zachowaj całą dokumentację w razie potrzeby użycia jej w przyszłości lub dla kolejnych właścicieli. Produkt ten przeznaczony jest wyłącznie do użytku domowego lub podobnych zastosowań, na przykład:

- w strefie kuchennej dla personelu w sklepach, biurach oraz innych środowiskach roboczych;
- w gospodarstwach rolnych, hotelach, motelach oraz innych środowiskach typu mieszkalnego;
- w pensjonatach typu B&B;
- w ramach usług kateringowych i podobnych zastosowań niezwiązanych ze sprzedażą detaliczną.

Urządzenia tego należy używać wyłącznie do przechowywania żywności. Wszelkie inne zastosowania uważane są za niebezpieczne i producent nie będzie ponosił odpowiedzialności za jakiegokolwiek zaniedbania. Należy również mieć na uwadze warunki gwarancji.

INFORMACJE DOTYCZĄCE BEZPIECZEŃSTWA

Prosimy o uważne przeczytanie instrukcji obsługi i montażu! Zawierają one ważne informacje dotyczące instalacji, użytkowania i konserwacji urządzenia. Producent nie ponosi odpowiedzialności w przypadku nieprzestrzegania instrukcji i ostrzeżeń. Całą dokumentację należy zachować w celu skorzystania z niej w przyszłości lub dla kolejnych właścicieli.

- **Nie należy podłączać urządzenia do zasilania, dopóki wszystkie opakowania oraz elementy zabezpieczające podczas transportu nie zostaną usunięte. Należy trzymać dzieci z dala od opakowania i jego części. Niebezpieczeństwo uduszenia przez składane kartony i plastikową folię!**
- **Pozostawić urządzenie stojące przed uruchomieniem przez co najmniej 4 godziny, aby pozwolić olejowi w sprężarce ustabilizować się, jeśli urządzenie było transportowane w poziomie**
- **Po dostarczeniu produktu należy się upewnić, że nie jest on uszkodzony i że wszystkie jego części oraz akcesoria są w doskonałym stanie**

- **Nie dopuścić do uszkodzenia obwodu czynnika chłodniczego**
- **Nie zasłaniać otworów wentylacyjnych w obudowie urządzenia lub w szafce, w której je zabudowano**
- **Nigdy nie używać bezpośrednio wody do czyszczenia sprężarki, przetrzeć dokładnie suchą szmatką po wyczyszczeniu, aby uniknąć kurzu**
- **Zawsze przenoś urządzenie z pomocą co najmniej dwóch osób, ponieważ jest ono ciężkie.**
- **Zainstaluj i wypoziomuj urządzenie w miejscu odpowiednim dla jego wielkości i przeznaczenia.**
- **Upewnij się, że informacje dotyczące elektryki na tabliczce znamionowej są zgodne z parametrami zasilania. Jeśli tak nie jest, skontaktuj się z elektrykiem.**
- **Urządzenie jest zasilane prądem 220–240 V/50 Hz. Odbiegające od normy wahania napięcia mogą spowodować niewłączenie się urządzenia albo uszkodzenie regulatora temperatury lub sprężarki. Mogą też być przyczyną nietypowego hałasu podczas pracy. W takim przypadku powinien zostać zamontowany automatyczny regulator.**

- **Tylko dla Wielkiej Brytanii: Kabel zasilający urządzenie jest wyposażony we wtyczki z 3 bolcami (z uziemieniem), która pasuje do standardowego gniazda z 3 przewodami (z uziemieniem). Nigdy nie odcinaj ani nie wyjmuj trzeciego bolca (z uziemieniem). Po zainstalowaniu urządzenia powinien być dostęp do wtyczki.**
- **Upewnić się, że kabel zasilania sieciowego nie jest przytrzaśnięty pod urządzeniem podczas przenoszenia go lub po tego typu czynności, aby uniknąć przecięcia go lub uszkodzenia. W razie uszkodzenia przewodu zasilającego powinien on zostać wymieniony przez producenta, jego serwisanta lub inną wykwalifikowaną osobę, aby uniknąć zagrożenia**
- **Nie instalować urządzenia w wilgotnych, oleistych lub zakurzonych pomieszczeniach ani nie narażać go na bezpośrednie promienie słoneczne lub wodę**
- **Nie instalować urządzenia w pobliżu grzejników lub materiałów łatwopalnych**
- **DLA urządzeń z zamrażalnikiem: w przypadku awarii zasilania nie otwierać pokrywy. Zamrożona żywność nie powinna się zepsuć, jeśli awaria trwa krócej niż godziny wskazane na etykiecie (czas wzrostu temperatury). W**

przypadku dłuższych awarii żywność należy sprawdzić i niezwłocznie spożyć lub ugotować i ponownie zamrozić.

- Utrudnione otwieranie pokrywy urządzenia zaraz po jej zamknięciu nie świadczy o awarii. Przyczyną jest różnica ciśnień, która po kilku minutach powinna się wyrównać, umożliwiając normalne otwarcie urządzenia.**
- Nie przechowuj w urządzeniu leków, bakterii lub substancji chemicznych. To urządzenie służy do użytku domowego, nie zaleca się przechowywania materiałów, które wymagają ściśle określonej temperatury.**
- Nie dociskać nadmiernie ani nie zginać przewodu zasilającego i nie dotykać wtyczki mokrymi dłońmi**
- Nie przechowywać w urządzeniu produktów zawierających łatwopalny gaz napędowy (np. puszki z aerozolem) lub substancji wybuchowych. Ryzyko wybuchu!**
- Na lodówce nie należy umieszczać niestabilnych przedmiotów (ciężkich przedmiotów, pojemników wypełnionych wodą), aby uniknąć obrażeń ciała spowodowanych upadkiem lub porażeniem prądem elektrycznym w wyniku kontaktu z wodą.**
- Nie używać urządzeń elektrycznych wewnątrz komór urządzenia do przechowywania**

żywności, o ile nie są to urządzenia zalecane przez producenta

- **Nie dotykać wewnętrznych elementów chłodzących, zwłaszcza mokrymi rękoma, aby uniknąć uszkodzeń lub obrażeń**
- **Zagrożone są tutaj dzieci, osoby o ograniczonych zdolnościach fizycznych, umysłowych lub sensorycznych, a także osoby, które nie posiadają wystarczającej wiedzy na temat bezpiecznej obsługi urządzenia. Upewnij się, czy dzieci i osoby narażone na uraz zrozumiały zagrożenia. Osoba odpowiedzialna za bezpieczeństwo musi nadzorować lub poinstruować dzieci i osoby narażone na uraz, które obsługują urządzenie. Z urządzenia mogą korzystać dzieci w wieku od 8 lat.**
- **Nie należy zezwalać dzieciom na zabawę z urządzeniem**
- **Dzieci w wieku od 3 do 8 lat mogą wkładać produkty do tego urządzenia lub je z niego wyjmować**
- **W PRZYPADKU urządzeń z zamrażalnikiem: nie przechowuj płynów butelkowanych lub konserwowanych (zwłaszcza napojów gazowanych) w zamrażarce. Butelki i puszki mogą pęknąć!**
- **W PRZYPADKU urządzeń z zamrażalnikiem: nigdy nie spożywaj mrożonek bezpośrednio**

wyciągniętych prosto z zamrażalnika. Ryzyko poparzenia niskotemperaturowego!

- **Chroń plastikowe części i uszczelkę drzwi przed olejem i smarem. W przeciwnym razie plastikowe części i uszczelka drzwi staną się porowate.**
- **Przed wykonaniem jakiegokolwiek czynności odłączyć kabel zasilający od gniazdka zasilającego**
- **Nie używać urządzeń mechanicznych ani innych środków do przyspieszania procesu rozmrażania, o ile nie są one zalecane przez producenta**
- **Nie używać ostrych lub szpiczastych przedmiotów, takich jak noże lub widelce, do usuwania szronu. Nigdy nie używać do rozmrażania suszarek do włosów, grzałek elektrycznych lub innych urządzeń elektrycznych**
- **Zaleca się utrzymywać wtyczkę w czystości. Wszelkie nadmierne pozostałości kurzu na wtyczce mogą spowodować pożar**
- **Nie należy próbować samodzielnie naprawiać, demontować ani modyfikować urządzenia. W przypadku konieczności naprawy prosimy o kontakt z naszym działem obsługi klienta.**
- **Nadzoruj dzieci podczas czyszczenia lub konserwacji urządzenia.**

- Nie czyść zimnych szklanych półek gorącą wodą. Nagła zmiana temperatury może spowodować pęknięcie szkła.
- **OSTRZEŻENIE:** Rury obwodu chłodniczego przenoszą niewielką ilość przyjaznego dla środowiska, ale łatwopalnego czynnika chłodniczego (R600a) i gazu izolacyjnego (cyklopentan). Nie niszczy warstwy ozonowej i nie zwiększa efektu cieplarnianego. Wyciek czynnika chłodniczego może spowodować obrażenia oczu lub zapalenie się.
- W razie uszkodzenia obwodu czynnika chłodniczego:
 - Wyłącz urządzenie i wyciągnij wtyczkę z gniazdka,
 - Trzymaj otwarty ogień i/lub źródła zapłonu z dala od urządzenia,
 - Dokładnie przewietrz pomieszczenie przez kilka minut,
 - Poinformuj obsługę klienta.
- **OSTRZEŻENIE:** Nie uszkodź wtyczki ani przewodu zasilającego, ponieważ może to spowodować porażenie elektryczne lub pożar.
- **OSTRZEŻENIE:** Nie używaj wielu przenośnych gniazdek ani przenośnych zasilaczy. Odradzamy korzystanie z przedłużaczy i rozgałęźników.
- Nie próbuj siadać ani stawać na górze urządzenia. Grozi to urazami lub uszkodzeniem

urządzenia. Urządzenie nie jest przystosowane do ustawiania jedno na drugim razem z innymi.

- **Produkt ten jest projektowany i produkowany wyłącznie z myślą o użytku domowym**
- **Wolno używać tylko oryginalnych części dostarczonych przez producenta. Producent gwarantuje, że tylko te części spełniają wymogi bezpieczeństwa.**
- **Pozostawienie na dłużej otwartych drzwiczek może spowodować wzrost temperatury w komorach urządzenia**
- **Czyścić regularnie powierzchnie, które mogą mieć kontakt z żywnością i dostępnymi systemami odprowadzania wody**
- **Wyczyścić zbiorniki na wodę, jeśli nie były one używane przez 48 godzin; przepłukać system wodny podłączony do zasilania urządzenia, jeśli woda nie była pobierana przez 5 dni**
- **Umieszczać surowe mięso i ryby w odpowiednich pojemnikach w chłodziarce, aby nie miały one kontaktu z inną żywnością ani nie skapywały na nią żadne płyny**
- **Szuflady na zamrożoną żywność oznaczone dwoma gwiazdkami (o ile znajdują się one w urządzeniu) przeznaczone są do przechowywania wstępnie zamrożonej żywności, przechowywania lub wytwarzania lodów i kostek lodu**

- Szuflady z jedną, dwoma lub trzema gwiazdkami (o ile znajdują się one w urządzeniu) nie nadają się do zamrażania świeżej żywności
- Jeśli urządzenie zostanie pozostawione puste przez dłuższy czas, należy je wyłączyć, rozmrozić, wyczyścić, wysuszyć i pozostawić drzwiczki otwarte, aby uniknąć rozwoju w urządzeniu pleśni
- W przypadku urządzeń do przechowywania wina: Urządzenie przeznaczone wyłącznie do przechowywania wina
- W przypadku urządzenia wolnostojącego zamieszcza się ostrzeżenie: To urządzenie chłodnicze nie jest przeznaczone do użytku jako urządzenie do zabudowy
- W przypadku urządzeń bez komory czterogwiazdkowej: To urządzenie chłodnicze nie jest odpowiednie na potrzeby zamrażania środków spożywczych

Usuwanie starych urządzeń



Urządzenie to posiada oznaczenie zgodne z dyrektywą europejską 2012/19/UE w sprawie zużytego sprzętu elektrycznego i elektronicznego (WEEE).


WEEE zawiera zarówno substancje zanieczyszczające (które mogą powodować negatywne skutki dla środowiska), jak i podstawowe komponenty (które mogą zostać ponownie użyte). Ważne jest poddawanie WEEE specyficznej obróbce, aby usuwać i prawidłowo utylizować wszelkie elementy zanieczyszczające, a także odzyskiwać i poddawać recyklingowi wszelkie możliwe materiały.

Ludzie mogą odgrywać ważną rolę w zapewnianiu, że WEEE nie stanie się problemem środowiskowym; ważne jest przestrzeganie pewnych podstawowych zasad:

- WEEE nie powinien być traktowany tak samo jak inne odpady domowe;
- WEEE powinien być przekazywany do właściwych punktów zbiórki odpadów obsługiwanych przez gminę lub zarejestrowane przedsiębiorstwa. W wielu krajach w przypadku dużych WEEE może być przewidziany odbiór bezpośrednio z posesji.

W wielu krajach, kiedy kupuje się nowe urządzenie, stare urządzenie można zwrócić sprzedawcy, który odbierze je za darmo na zasadzie „urządzenie za urządzenie”, pod warunkiem, że urządzenie jest odpowiedniego typu i posiada te same funkcje co nowy dostarczony sprzęt.

Zgodność

Poprzez umieszczenie oznaczenia  na tym produkcie potwierdzamy, że urządzenie to jest zgodne ze wszelkimi dotyczącymi tego produktu obowiązującymi prawnie wymogami europejskimi w zakresie bezpieczeństwa, zdrowia i środowiska.

Gwarancji

Minimalny okres gwarancji: Kraje UE – 2 lata, Turcja – 3 lata, Wielka Brytania – rok, Rosja – rok, Szwecja – 3 lata, Serbia – 2 lata, Norwegia – 5 lat, Maroko – rok, Algieria – 6 miesięcy, Tunezja – gwarancja prawna nie jest wymagana

Oszczędzanie energii

Aby zapewnić wyższą oszczędność energii, sugerujemy:

- zainstalować urządzenie z dala od źródeł ciepła i nie wystawiać go na bezpośrednie działanie promieni słonecznych, w dobrze wentylowanym pomieszczeniu;
- unikać umieszczania w chłodziarce gorącej żywności, aby zapobiec wzrostowi temperatury zewnętrznej, a tym samym powodowaniu ciągłego działania sprężarki;
- nie wkładać nadmiernej ilości żywności, aby zapewnić prawidłową cyrkulację;
- rozmrozić urządzenie w razie pojawienia się w nim lodu w celu ułatwienia przenikania zimna;
- w razie braku energii elektrycznej zaleca się pozostawić drzwiczki chłodziarki zamknięte;
- jak najrzadziej otwierać drzwiczki urządzenia i jak najkrócej pozostawiać je otwarte;
- unikać ustawiania zbyt niskich temperatur;
- usuwać kurz z tylnej części urządzenia.

Więcej informacji na temat produktu można znaleźć na stronie <https://eprel.ec.europa.eu/> lub zeskanować QR na etykiecie energetycznej dostarczonej z urządzeniem

Przed pierwszym użyciem

Przed włączeniem zasilania należy odczekać co najmniej cztery godziny, aż zamrażarka ustabilizuje się.

Zaleca się wyczyszczenie wnętrza urządzenia przed pierwszym użyciem roztworem sody oczyszczonej i ciepłej wody, a następnie dokładne osuszenie wnętrza.

Przy pierwszym użyciu zamrażarka może wydzielać nieprzyjemny zapach. Zapach ten zniknie, gdy urządzenie schłodzi się.

Proszę zwrócić uwagę:

Urządzenie włączy się z ustawieniem temperatury 3 i będzie działać nieprzerwanie, aż osiągnie odpowiednią temperaturę.

Jeśli urządzenie jest wyłączone, przed ponownym włączeniem odczekać pięć minut, aby uniknąć niepotrzebnego uszkodzenia kompresora.

Nigdy nie należy przechowywać w urządzeniu przedmiotów łatwopalnych lub wybuchowych oraz silnie żrących kwasów lub zasad.

Ta zamrażarka chłodzi jedzenie poprzez chłodzenie wewnętrznej tylnej części komory. Osadzanie się szronu na tej powierzchni jest zjawiskiem normalnym; szron następnie rozmraża się i spływa przez mały drenaż na dnie, skąd odparowuje. Obecność szronu nie jest wadą działania lodówki.

Użycie zamrażarki

- Komory zamrażarki są przeznaczone do przechowywania tylko mrozonek.
- Nigdy nie wkładać gorących ani ciepłych potraw do zamrażarki, powinny całkowicie ostygnąć przed włożeniem ich do zamrażarki.
- Postępować zgodnie z instrukcjami na opakowaniu żywności do przechowywania zamrożonej żywności. W przypadku braku informacji żywność nie powinna być przechowywana dłużej niż trzy miesiące od daty zakupu.
- Przechowywać żywność w małych opakowaniach (najlepiej mniej niż 2,5 kg). Skraca to czas zamrażania i poprawia jakość żywności po rozmrożeniu.
- Należy zawinąć jedzenie przed włożeniem do zamrażarki. Aby zapobiec przyklejeniu się folii, należy upewnić się, że jest ona sucha.
- Oznaczyć żywność przed zamrożeniem informacją, zawierającą rodzaj żywności oraz daty przechowywania i terminu ważności.
- Po rozmrożeniu żywności nie można jej ponownie zamrozić, chyba że została całkowicie ugotowana. Rozmrażać tylko tyle żywności, ile potrzeba, aby zapobiec marnotrawstwu.
- Napoje w butelkach lub puszkach nie powinny być przechowywane w komorze zamrażarki, ponieważ mogą eksplodować.
- Sprawdzić tabliczkę znamionową, aby potwierdzić maksymalną ilość świeżej żywności, którą można zamrozić w ciągu 24 godzin.

Nie zamrażać więcej niż wynosi maksymalna ilość.

Przechowywanie

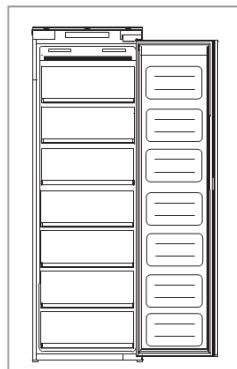
Zamrażarka służy do krótko- i średnio-terminowego przechowywania żywności. Chociaż można utrzymać niskie temperatury, nie zaleca się dłuższych okresów przechowywania żywności.

Ponieważ zimne powietrze cyrkuluje w zamrażarce, temperatura może się różnić w poszczególnych jej częściach. W związku z tym żywność powinna być przechowywana w różnych częściach w zależności od jej rodzaju i terminu przechowywania. Dolne sekcje to najzimniejsze części zamrażarki.

Dwie górne sekcje mają podnoszone kłapy, które pozostają otwarte dla ułatwienia wkładania i wyjmowania produktów. Pozostałe 5 sekcji to szuflady.

6. ustawienie na panelu sterującym przedstawiające płatek śniegu (rys. 2) to funkcja super mrożenia. Powinna być używana podczas zamrażania dużych ilości żywności na raz. Aktywować tę funkcję 2 lub 3 godziny przed włożeniem żywności i nie pozostawiać jej dłużej niż to konieczne.

Dłuższe działanie tej funkcji spowoduje niepotrzebne obciążenie układu chłodzenia. Funkcja wyłączy się automatycznie po około 24 godzinach.

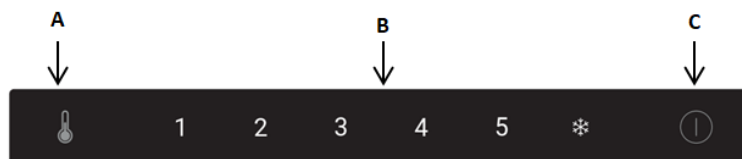


Rys. 2

Najbardziej energooszczędna konfiguracja wymaga umieszczenia szuflad, pudełek na żywność i póltek w produkcie, patrz powyższe rysunki.

- Zaleca się ustawienie temperatury na -18°C w komorze zamrażarki.
- podanym na opakowaniu żywności. Czas przechowywania jest osiągnięty zawsze, gdy ustawienie uwzględni temperaturę odniesienia komory (komora z jedną gwiazdką -6°C , z dwoma gwiazdkami -12°C , z trzema gwiazdkami -18°C)

Panel sterowania



A. Czujnik regulacji temperatury zamrażarki

Ten przycisk służy do regulacji temperatury w zamrażarce. Nacisnąć ten czujnik raz, aby aktywować regulację, a następnie tyle razy, ile potrzeba, aż zostanie wybrany żądany poziom. Zakres ustawień wynosi od 1 do 6, gdzie 1 oznacza najcieplej, a super mrożenie najzimniej.

Proszę zwrócić uwagę: Jeśli to możliwe, unikać ustawiania temperatury na 5 lub super mrożenie (płatek śniegu) przez cały czas. Pomoże to zmniejszyć obciążenie sprężarki i systemu.

B. Wyświetlacz ustawienia temperatury zamrażarki.

Ten wyświetlacz podświetli aktualne ustawienie temperatury. Regulacja temperatury zostanie przedstawiona na wyświetlaczu.

Proszę zwrócić uwagę: Nie używa się cyfr od 1 do 5 lub płatka śniegu do zmiany temperatury. Zamiast tego użyć czujnika regulacji temperatury zamrażarki (A).

Pozycja	Warunki
1-2	Temperatura letnia lub zewnętrzna w zakresie 25-35°C.
3-4	Wiosna, jesień lub temperatura otoczenia pomiędzy 15-25°C.
5	Zima lub temperatura otoczenia 5-15°C
Super freezing	Szybkie mrożenie

C. Przycisk zasilania

Nacisnąć czujnik jeden raz, aby włączyć funkcję, a następnie nacisnąć j i przytrzymać przez 3 sekundy, aby włączyć lub wyłączyć urządzenie.

Ten produkt nie ma funkcji pamięci wyłączenia lub awarii zasilania.

Pielęgnacja i czyszczenie

Zawsze odłączać urządzenie od zasilania przed czyszczeniem lub konserwacją.

Części szuflady należy czyścić roztworem sody oczyszczonej i letniej wody. Nie używać produktów ściernych lub detergentów. Po umyciu dokładnie przemyć wodą i wysuszyć.

Komory czyścić oddzielnie ręcznie, łagodnym roztworem płynu do mycia naczyń i wody. Nie używać ściernych środków czyszczących lub detergentów.

Jeśli urządzenie nie będzie używane przez dłuższy czas, odłączyć je i wyczyścić. Drzwi należy pozostawić lekko uchylone, aby zapobiec tworzeniu się pleśni i nieprzyjemnych zapachów.

Rozmrażanie zamrażarki

Zamrażarka nie posiada systemu No Frost, który ma na celu zapobieganie silnemu gromadzeniu się lodu. W przypadku standardowego użytkowania nie powinno być potrzeby regularnego rozmrażania zamrażarki.

Proszę zwrócić uwagę: Jeśli regularnie w części zamrażalnika znajduje się duże nagromadzenie lodu lub wody, prawdopodobne jest, że drzwi nie zamykają się prawidłowo. Może to być spowodowane wadliwą uszczelką drzwi lub nieprawidłowo zamontowanymi lub zbyt ciężkimi drzwiami zabudowy. Więcej informacji można znaleźć w sekcji dotyczącej usuwania usterek związanych z tworzeniem się lodu.

Proszę zwrócić uwagę: Jeśli regularnie w zamrażarce znajduje się woda, tworzy się lód lub zauważysz, że kompresor cały czas działa, prawdopodobnie drzwi nie są zamknięte prawidłowo. Może to być spowodowane wadliwą uszczelką drzwi lub nieprawidłowo zamontowanymi lub zbyt ciężkimi drzwiami zabudowy. Więcej informacji można znaleźć w sekcji dotyczącej usuwania usterek związanych z tworzeniem się lodu na stronie 12.

Dostępność części zamiennych

Termostaty, czujniki temperatury, płytki obwodów drukowanych przez okres co najmniej siedmiu lat od wprowadzenia do obrotu ostatniego egzemplarza danego modelu

klamki, zawiasy do drzwi, tace i koszyki przez okres co najmniej siedmiu lat oraz uszczelki drzwiowe przez okres co najmniej 10 lat od wprowadzenia do obrotu ostatniego egzemplarza danego modelu

Usuwanie usterek

W przypadku problemów z urządzeniem należy zapoznać się z procedurą usuwania usterek przed skontaktowaniem się z działem obsługi klienta Montpellier.

Kiedy urządzenie nie działa, sprawdzić, czy:

- Urządzenie ma zasilanie.
- Bezpieczniki w domu są nienaruszone i bezpiecznik we wtyczce nie przepalił się.
- Zamrażarka nie została wyłączona.
- Gniazdo wtykowe działa prawidłowo. Aby to sprawdzić, podłączyć inne urządzenie elektryczne, aby sprawdzić, czy gniazdo nie jest uszkodzone.

Jeśli urządzenie działa, ale nieprawidłowo, sprawdzić, czy:

- Urządzenie nie jest przeciążone.
- Termostat jest ustawiony na odpowiednią temperaturę.
- Drzwi zamykają się prawidłowo.
- System chłodzenia z tyłu urządzenia jest czysty i bez kurzu i nie dotyka tylnej ściany.
- Na ścianach bocznych i tylnych jest wystarczająca wentylacja.
- Może to być spowodowane nieprawidłowym zamontowaniem drzwi zabudowy, co powoduje, że drzwi zamrażarki nie zamykają się prawidłowo, a przez to wpuszczane jest ciepłe powietrze. Jeśli nie masz pewności, poproś instalatora o sprawdzenie drzwi zabudowy.

Kiedy urządzenie działa głośno, sprawdzić, czy:

- Urządzenie jest wypoziomowane i stabilne.
- Ściany boczne i tylna są czyste i nie ma niczego na urządzeniu.
- Uwaga: Gaz chłodzący w systemie może wydawać delikatny odgłos bulgotania, nawet gdy sprężarka nie działa.

Jeśli urządzenie wydaje sygnał dźwiękowy, sprawdzić, czy:

- Drzwi są zamknięte.

Jeśli na dnie zamrażarki jest woda, sprawdzić, czy:

- Sprawdzić, czy przy otwieraniu drzwi urządzenia występuje opór. Jeśli otworzą się przy najmniejszym dotknięciu, może to oznaczać, że uszczelka drzwi wymaga wymiany.
- Sprawdzić uszczelnienie drzwi pod kątem ewentualnych zagięć, zanieczyszczeń lub uszkodzeń. Jeśli zauważysz jakiegokolwiek tego typu objawy i nie możesz samodzielnie rozwiązać problemu, skontaktować się z działem obsługi klienta, aby wymienić uszczelkę.
- Może to być spowodowane nieprawidłowym montażem drzwi zabudowy. Jeśli nie masz pewności, poproś instalatora o sprawdzenie drzwi zabudowy.

Jeśli w zamrażarce utworzy się nadmierna ilość lodu:

- To normalne, że w zamrażarce tworzy się lód. Nie stanowi to wady urządzenia.
- Sprawdzić, czy przy otwieraniu drzwi urządzenia występuje opór. Jeśli otworzą się przy najmniejszym dotknięciu, może to oznaczać, że uszczelka drzwi wymaga wymiany.
- Sprawdzić uszczelnienie drzwi pod kątem ewentualnych zagięć, zanieczyszczeń lub uszkodzeń. Jeśli zauważysz jakiegokolwiek tego typu objawy i nie możesz samodzielnie rozwiązać problemu, skontaktować się z działem obsługi klienta, aby wymienić uszczelkę.

- Może to być spowodowane nieprawidłowym montażem drzwi zabudowy. Jeśli nie masz pewności, poproś instalatora o sprawdzenie drzwi zabudowy.

Pomoc techniczna

Aby skontaktować się z pomocą techniczną, odwiedź naszą stronę internetową:

<https://corporate.haier-europe.com/en/> . W sekcji „website” wybierz markę swojego produktu i swój kraj. Zostaniesz przekierowany na konkretną stronę internetową, na której znajdziesz numer telefonu i formularz do kontaktu z pomocą techniczną

Instalacji

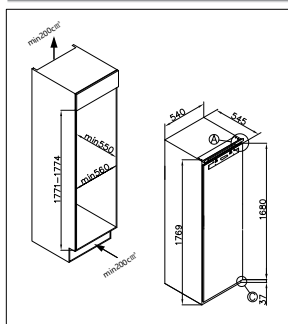
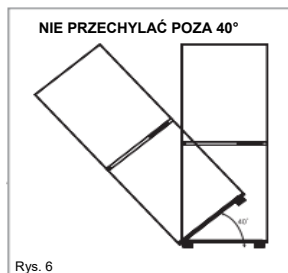
To urządzenie nigdy nie może być instalowane w pobliżu źródeł ciepła, np. elementy grzejne, kuchenki lub wilgotne miejsca.

Podczas instalacji tego urządzenia zwróć się o pomoc do innych osób. To urządzenie może mieć ostre krawędzie. Noś odpowiednie środki ochrony indywidualnej wymagane do realizacji tego zadania i ochrony środowiska.

- Aby upewnić się, że urządzenie jest wypoziomowane, należy użyć nożek z regulacją wysokości z przodu urządzenia.
- System chłodzenia z tyłu urządzenia nie może dotykać tylnej ściany. Im większa różnica, tym lepiej.
- Urządzenie należy zainstalować z odpowiednią wentylacją. Należy upewnić się, że nad urządzeniem jest wolna przestrzeń umożliwiająca wymianę powietrza oraz że jest wolna przestrzeń między tyłem urządzenia a ścianą.

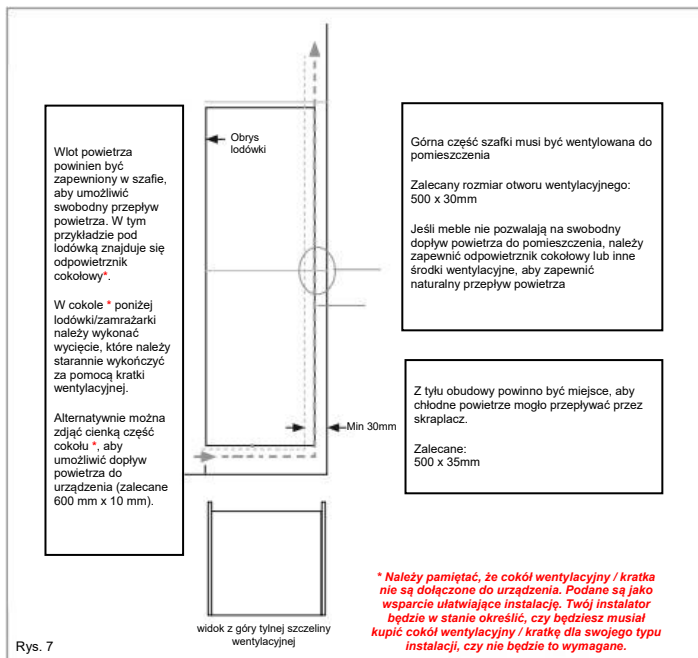
Urządzenie należy zainstalować w miejscu, w którym temperatura otoczenia odpowiada klasie klimatycznej wskazanej na tabliczce znamionowej urządzenia:

- Rozszerzona umiarkowana (SN): dodaje się ostrzeżenie: „Urządzenie chłodnicze jest przeznaczone do użytku w temperaturze otoczenia mieszczącej się w zakresie od 10 °C do 32 °C”
- Umiarkowana: dodaje się ostrzeżenie (N): „Urządzenie chłodnicze jest przeznaczone do użytku w temperaturze otoczenia mieszczącej się w zakresie od 16 °C do 32 °C”
- Subtropikalna: dodaje się ostrzeżenie (ST): „Urządzenie chłodnicze jest przeznaczone do użytku w temperaturze otoczenia mieszczącej się w zakresie od 16 °C do 38 °C”
- Tropikalna: dodaje się ostrzeżenie (T): „Urządzenie chłodnicze jest przeznaczone do użytku w temperaturze otoczenia mieszczącej się w zakresie od 16 °C do 43 °C”



Wentylacja

Główną kwestią podczas instalowania dowolnej lodówki w kuchni do zabudowy jest wentylacja. Ciepło usuwane z komory chłodzącej musi zostać odprowadzone do atmosfery. Niewłaściwa wentylacja może prowadzić do przedwczesnej awarii sprężarki, nadmiernego zużycia energii, całkowitej awarii systemu i może spowodować unieważnienie gwarancji udzielonej wraz z urządzeniem. W przypadku produktów przeznaczonych do montażu w wysokiej zabudowie muszą być spełnione następujące wymagania:



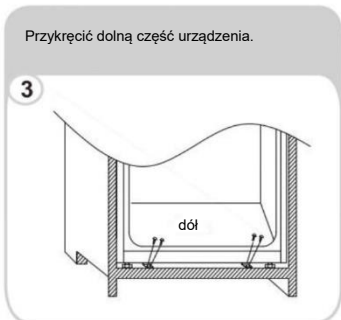
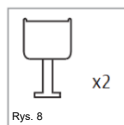
Otwarty kanał z tyłu jest wyraźnie pokazany. Dla prawidłowej pracy urządzenia ważne jest, aby górna część obudowy nie była zablokowana. Głębokość kanału 40-50 mm jest standardowa w przypadku większości urządzeń.

W cokole urządzenia wymagany jest otwór wentylacyjny, który umożliwi zasysanie powietrza przez sprężarkę i wymianę ciepła. Wymagany przepływ powietrza można uzyskać, usuwając cienką część cokołu (zalecane minimum 600 mm x 10 mm).

Co do zasady, im więcej powietrza może dostać się do wewnątrz i na zewnątrz, tym lepsze i bardziej wydajne jest działanie produktu.

Instalacja w szafie

Z pomocą innych osób, przesunąć urządzenie do szafy. W podstawie urządzenia znajdują się dwie metalowe płyty. Do tych płyt (Rys.9) zamontować dołączone białe podkładki dystansowe (Rys.8).

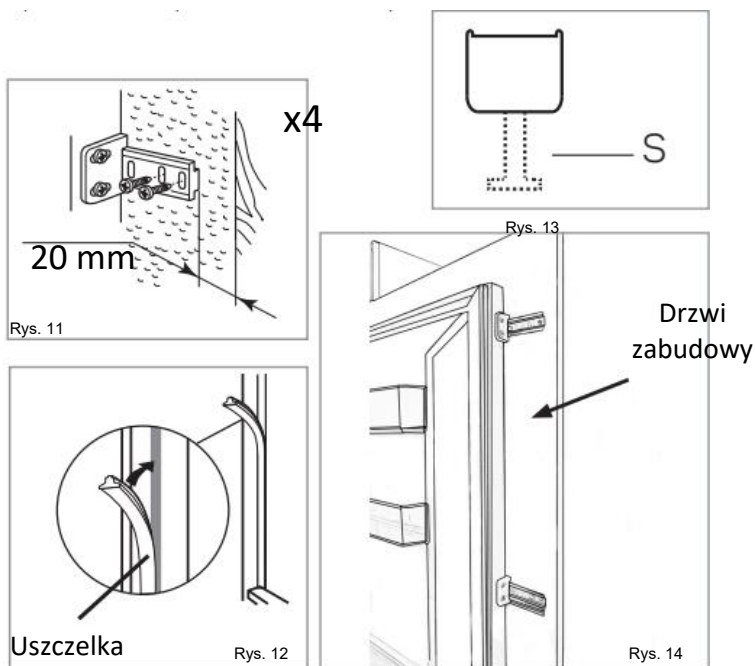


Upewnić się, że bariery elementów dystansowych są na poziomie bariery podstawy szafki.

Montaż drzwi maskujących

- Upewnić się, że między stroną bez zawiasów a ścianą szafy jest szczelina od 3 do 4 mm.
- Zlokalizować suwak we wsporniku i przymocować go do drzwi maskujących w odległości od 20 do 22 mm od krawędzi maskującej, jak pokazano na rysunku 11, upewniając się, że suwak jest umieszczony centralnie i poziomo na wsporniku. Mocno dokręcić ręcznie.
- Wypełnić szczelinę po stronie bez zawiasów za pomocą dostarczonej taśmy uszczelniającej, tak jak pokazano na rysunku 12.
- Gotowy wygląd suwaków drzwi powinien być podobny do pokazanego na rysunku 14, który pokazuje 2 suwaki na miejscu.
- **Upewnić się, że drzwi urządzenia otwierają się, zamykają i uszczelniają prawidłowo.**

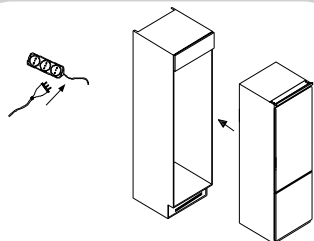
Po zakończeniu i jeśli jesteś zadowolony z dopasowania urządzenia do szafy, zgiąć i zatrzasać części białych elementów dystansowych oznaczonych literą „S”, jak pokazano kropkowanym konturem na rys. 13. Pozostawić resztę osłony dystansowej na miejscu nad metalowymi płytami.



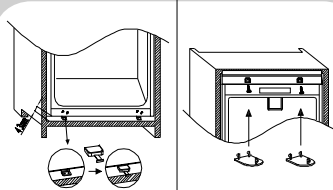
Ważne: Po zakończeniu instalacji należy sprawdzić, czy urządzenie jest zamocowane w urządzeniu oraz czy drzwi zamykają się i otwierają prawidłowo. Jeśli podczas otwierania drzwi uszczelki drzwi nie napotykają oporu, prawdopodobnie oznacza to, że urządzenie i/lub drzwi zabudowy nie są prawidłowo zamontowane.

Instrukcja montażu produktów z zawiasami stałymi.

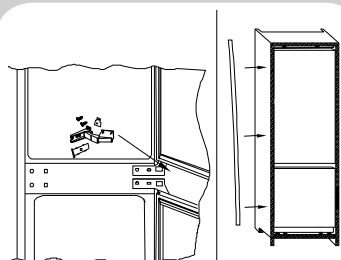
1



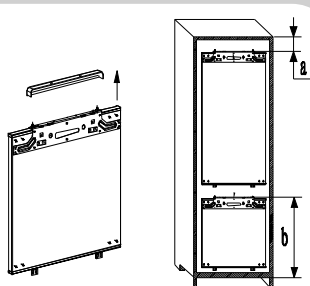
2



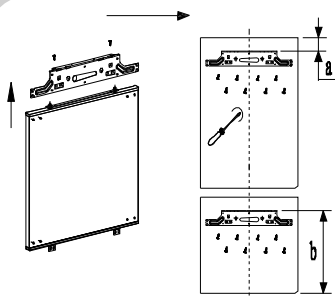
3



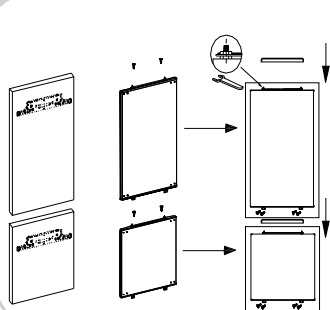
4



5



6

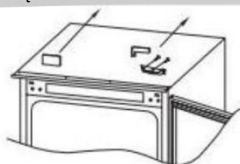


Odwrócenie drzwi urządzenia

Zalecamy zwrócenie się o pomoc do innej osoby w celu podparcia drzwi podczas wykonywania tej operacji. Zawsze nos odpowiednie środki ochrony indywidualnej do wykonywanego zadania. Przygotować powierzchnię z miękkim, czystym ręcznikiem lub podobnym, na której będziesz mógł umieścić drzwi podczas tych czynności.

Zdjąć pokrywę prawego górnego zawiasu i zawias za pomocą śrubokręta.

1



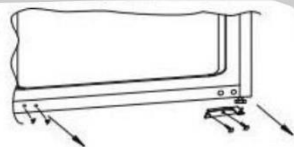
Zdjąć drzwi.

2



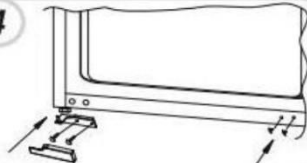
Zdjąć prawy dolny zawias i lewe plastikowe zaślepki i założyć je po przeciwnej stronie.

3



Zamontować prawy górny zawias do lewego dolnego i założyć osłonę.

4



Ustawić drzwi na dolnym zawiasie i zamontować dolny zawias do góry, upewnić się, że 1-2-3 są bardzo blisko

5



Zapewnienie prawidłowego uszczelnienia drzwi:

Ściśnięcie uszczelki po odwróceniu drzwi jest normalnym zjawiskiem. Przy zamkniętych drzwiach użyć suszarki do włosów, aby rozszerzyć uszczelkę i wypełnić szczelinę między drzwiami a korpusem urządzenia.

Uważać, aby nie używać suszarki do włosów zbyt blisko urządzenia, co mogłoby uszkodzić uszczelkę. Powinna wystarczyć odległość około 10 cm.

Po zakończeniu odczekać, aż uszczelka i drzwi ostygną przed dotknięciem ich. Po zakończeniu uszczelka powinna pozostać na miejscu.

SUMÁRIO

INFORMAÇÃO DE SEGURANÇA	148
Desmantelamento de um aparelhos antigos	155
Conformidade.....	156
Garantia	156
Poupança de energia	156
Antes da primeira utilização.....	157
Utilização do congelador	157
Armazenamento	158
Painel de controlo	158
Cuidados e limpeza.....	159
Descongelamento do congelador.....	159
Disponibilidade de peças de reposição	160
Resolução de problemas	160
Assistência técnica.....	161
Preparação da instalação	161
Ventilação	162
Instalação no armário.....	163
Montar a porta do painel	164
Instruções de instalação para produtos com dobradiças fixas.....	165
Inverter a porta do aparelho	166

Obrigado por comprar este produto.

Antes de usar o seu frigorífico, leia atentamente este manual de instruções para maximizar o seu desempenho. Guarde toda a documentação para uso futuro ou outros proprietários.

Este produto destina-se exclusivamente a uso doméstico ou para aplicações similares, tais como:

- Área de cozinha para pessoal em lojas, escritórios e outros ambientes de trabalho
- Em quintas, para clientes de hotéis, motéis e outros ambientes do tipo residencial
- como B&Bs (cama e pequeno-almoço)
- Para serviços de catering e aplicações similares, e não para venda por retalho.

Este eletrodoméstico deve ser usado apenas para fins de armazenamento de alimentos, sendo qualquer outro uso considerado perigoso. O fabricante não será responsável por incumprimentos. Além disso, é recomendável que consulte as condições de garantia.

INFORMAÇÃO DE SEGURANÇA

Leia atentamente as instruções de operação e instalação! Estas contêm informações importantes sobre como instalar, usar e fazer a manutenção do eletrodoméstico. O fabricante não é responsável se não cumprir as instruções e avisos. Guarde todos os documentos para uso subsequente ou para o próximo proprietário.

- **Não ligue o aparelho à alimentação de energia até que todas as proteções de embalagem e de transporte tenham sido removidas. Mantenha as crianças afastadas da embalagem e das suas peças. Perigo de sufocação devido a caixas de cartão dobráveis e a película plástica!**
- **Deixe repousar , no mínimo, 4 horas antes de ligar para permitir que o óleo do compressor assente se transportado horizontalmente**
- **Na entrega, verifique se o produto não está danificado e se todas as peças e acessórios estão em perfeitas condições**
- **Não danificar o circuito do refrigerante**

- **Mantenha as aberturas de ventilação na caixa do eletrodoméstico ou na estrutura embutida, livre de obstruções**
- **Nunca use água na posição do compressor, limpe-o cuidadosamente com um pano seco depois da limpeza para evitar ferrugem**
- **Manuseie o aparelho sempre com pelo menos duas pessoas porque é pesado.**
- **Instale e nivele o aparelho numa área adequada para o seu tamanho e utilização.**
- **Certifique-se de que as informações elétricas na placa de classificação correspondem à fonte de alimentação. Se não, entre em contato com um electricista.**
- **O aparelho é operado por uma fonte de alimentação de 220-240 VAC/50 Hz. Uma flutuação da tensão anormal pode fazer com que o aparelho não ligue ou danifique o controlo da temperatura ou o compressor, ou pode haver um ruído anormal durante o funcionamento. Nesse caso, deve ser montado um regulador automático.**
- **Apenas para o Reino Unido: O cabo de alimentação do aparelho está equipado com uma ficha de 3 cabos (terra) que se encaixa numa tomada standard de 3 cabos (ligada à terra). Nunca corte ou desmonte o terceiro pino (terra). Após a instalação do aparelho, a tomada deve ficar acessível.**

- **Certifique-se de que o cabo de alimentação não fica preso debaixo do aparelho durante e depois de transportar/mover o aparelho, para evitar que o cabo seja cortado ou danificado. Se o cabo de alimentação estiver danificado, deve ser substituído pelo fabricante, pelo seu agente de serviço ou por pessoa qualificada, para evitar perigo**
- **Não instale o eletrodoméstico em locais húmidos, oleosos ou empoeirados, nem o exponha à luz solar direta e à água**
- **Não instale o eletrodoméstico próximo de aquecedores ou de materiais inflamáveis**
- **Não armazene produtos que contenham propulsor inflamável (por ex. latas de sprays) ou substâncias explosivas no aparelho. Risco de explosão!**
- **Não armazene produtos que contenham propulsor inflamável (por ex. latas de sprays) ou substâncias explosivas no aparelho. Risco de explosão!**
- **Não armazene produtos que contenham propulsor inflamável (por ex. latas de sprays) ou substâncias explosivas no aparelho. Risco de explosão!**
- **Não puxe ou dobre excessivamente o cabo de alimentação ou toque a ficha com as mãos molhadas**

- **Não armazene produtos que contenham propulsor inflamável (por ex. latas de sprays) ou substâncias explosivas no aparelho. Risco de explosão!**
- **Não coloque artigos instáveis (objetos pesados, recipientes cheios de água) em cima do frigorífico, para evitar lesões pessoais causadas por queda ou choque elétrico causado pelo contato com a água.**
- **Não usar aparelhos elétricos dentro dos compartimentos de armazenamento de alimentos do aparelho, exceto se forem do tipo recomendado pelo fabricante**
- **Não toque nos elementos de refrigeração internos, especialmente com as mãos molhadas, para evitar rachas ou ferimentos**
- **Correm maior risco as crianças, pessoas com capacidades físicas, mentais ou sensoriais limitadas, bem como pessoas que têm conhecimento inadequado sobre a operação segura do aparelho. Verifique se as crianças e as pessoas vulneráveis compreenderam os riscos. Uma pessoa responsável pela segurança deve fiscalizar ou instruir as crianças e pessoas vulneráveis que estão a utilizar o aparelho. Apenas crianças com idade igual ou superior a 8 anos podem utilizar o aparelho.**
- **As crianças não devem brincar com o eletrodoméstico**

- **Crianças com idades entre os 3 e os 8 anos não podem carregar e descarregar o aparelho**
- **PARA aparelhos com um congelador: não armazene líquidos engarrafados ou enlatados (especialmente bebidas gaseificadas) no congelador. As garrafas e latas podem explodir!**
- **PARA aparelhos com um congelador: nunca coloque alimentos congelados, diretamente do compartimento do congelador, na boca. Risco de queimaduras de baixa temperatura!**
- **Mantenha as peças plásticas e o vedante da porta isentos de óleo e gordura. Caso contrário, as peças plásticas e o vedante da porta tornar-se-ão porosas.**
- **Antes de realizar qualquer operação, desligue o cabo de alimentação da tomada elétrica**
- **Não usar dispositivos mecânicos ou outros meios para acelerar o processo de descongelação, além dos recomendados pelo fabricante**
- **Não use objetos pontiagudos ou com arestas afiadas, como facas ou garfos, para remover o gelo. Nunca use secadores de cabelo, aquecedores elétricos ou outros aparelhos elétricos para descongelar**
- **Recomenda-se manter a ficha limpa, pois quaisquer resíduos de poeira excessivos na tomada pode provocar fogo**

- **Não tente reparar, desmontar ou modificar o aparelho sozinho. Em caso de reparação, entre sempre em contato com a nossa assistência ao cliente.**
- **Supervisione as crianças enquanto o aparelho estiver a ser limpo ou mantido.**
- **Não lave prateleiras de vidro frias com água quente. A mudança súbita de temperatura pode fazer com que o vidro se quebre.**
- **AVISO: Os tubos do circuito de refrigeração transmitem uma pequena quantidade de um refrigerante ecológico mas inflamável (R600a) e gás isolante (ciclopentano). Não danifica a camada de ozono e não aumenta o efeito estufa. Se ocorrer derrame de refrigerante, pode ferir os olhos ou inflamar.**
- **Caso o circuito refrigerante esteja danificado:**
 - **Desligue o aparelho e retire a ficha elétrica,**
 - **Mantenha as chamas nuas e/ou as fontes de ignição afastadas do aparelho**
 - **Ventile muito bem a sala durante vários minutos**
 - **Informe a assistência ao cliente.**
- **AVISO: Não danifique a ficha e/ou o cabo de alimentação; isso pode causar choques elétricos ou incêndios.**
- **AVISO: Não use tomadas múltiplas portáteis ou fontes de alimentação portáteis. Não**

recomendamos a utilização de extensões e adaptadores.

- **Não se sente nem se ponha de pé em cima do aparelho. Pode magoar-se ou danificar o aparelho. Este aparelho não foi concebido para ser empilhado com qualquer outro aparelho.**
- **O produto foi desenhado e construído apenas para uso doméstico**
- **Só podem ser utilizadas peças originais fornecidas pelo fabricante. O fabricante garante que apenas estas peças satisfazem os requisitos de segurança.**
- **Abrir a porta durante longos períodos pode causar um aumento significativo da temperatura nos compartimentos do aparelho**
- **Limpar regularmente as superfícies que possam entrar em contacto com alimentos e sistemas de drenagem acessíveis**
- **Tanques de água limpa, se não forem utilizados durante 48h; lave o sistema de água ligado ao fornecimento de água se a água não for extraída durante 5 dias**
- **Guardar carne e peixe crus em recipientes adequados no congelador, que não fiquem em contacto ou pinguem sobre outros alimentos**
- **Os compartimentos de alimentos congelados de duas estrelas (se apresentados no aparelho) são adequados para armazenar alimentos pré-**

congelados, armazenar ou fazer gelados e cubos de gelo

- **Os compartimentos de uma, duas e três estrelas (se apresentados no aparelho) não são adequados para congelar alimentos frescos**
- **Se o aparelho ficar vazio durante longos períodos, deve desligar, descongelar, limpar, secar o mesmo e deixar a porta aberta para evitar o desenvolvimento do bolor no interior**
- **No caso dos aparelhos de armazenagem de vinhos: Este aparelho destina-se exclusivamente à armazenagem de vinhos**
- **No caso dos aparelhos de instalação livre: Este aparelho de refrigeração não se destina a ser utilizado como aparelho encastrável**
- **No caso dos aparelhos sem compartimento de quatro estrelas: Este aparelho de refrigeração não é adequado para congelar géneros alimentícios**

Desmantelamento de um aparelhos antigos



Este equipamento está marcado em conformidade com a Diretiva Europeia 2012/19/UE sobre Resíduos Elétricos e Equipamento Eletrónico (REEE).


O REEE contém substâncias poluentes (que podem ser perigosas para o meio ambiente) e componentes básicos (que podem ser reutilizados). É importante que os REEE sejam submetidos a tratamentos específicos, para remover e eliminar adequadamente todos os poluentes e recuperar e reciclar todos os materiais.

As pessoas desempenham um papel importante para garantir que os REEE não representem um problema ambiental; para isso, é essencial que sejam cumpridas algumas regras básicas:

- Os REEE não devem ser tratados como lixo doméstico;
- Os REEE devem ser entregues nos pontos de recolha adequados administrados pelo município ou por empresas registadas. Em muitos países, para grandes REEE, pode estar disponível recolha doméstica.

Em muitos países, quando é comprado um aparelho novo, o antigo pode ser devolvido ao retalhista, que deve proceder à recolha gratuitamente, desde que o equipamento seja de tipo equivalente e tenha as mesmas funções do equipamento fornecido.

Conformidade

Ao colocar a marca  neste produto, confirmamos a sua conformidade com todos os requisitos Europeus de segurança, saúde e ambientais que são mencionados na legislação aplicável para este produto.

Garantia

A garantia mínima é: 2 anos para os países da UE, 3 anos para a Turquia, 1 ano para o Reino Unido, 1 ano para a Rússia, 3 anos para a Suécia, 2 anos para a Sérvia, 5 anos para a Noruega, 1 ano para Marrocos, 6 meses para a Argélia, Tunísia nenhuma garantia legal necessária.

Poupança de energia

Para maiores poupanças energéticas sugerimos:

- Instalar o eletrodoméstico afastado de fontes de calor e não exposto à luz solar direta e numa sala bem ventilada.
- Evitar colocar alimentos quentes no frigorífico para evitar o aumento da temperatura interna e, assim, causar o funcionamento contínuo do compressor.
- Não envolver excessivamente os alimentos de modo a garantir uma circulação adequada do ar.
- Descongelar o eletrodoméstico em caso de haver gelo para facilitar a transferência de frio.
- No caso de falha de energia elétrica, é aconselhável manter a porta do frigorífico fechada.
- Abrir ou manter as portas do eletrodoméstico abertas o mínimo possível
- Evitar ajustar as definições para temperaturas muito frias.
- Limpar o pó presente na parte traseira do aparelho

Para mais informações sobre o produto, consulte <https://eprel.ec.europa.eu/> ou digitalize o QR na etiqueta de energia fornecida com o aparelho

Antes da primeira utilização

Deve permitir que o congelador repouse durante pelo menos quatro horas antes de ligar a alimentação.

Recomenda-se que limpe o interior do aparelho antes da primeira utilização, utilizando uma solução de bicarbonato de sódio e água morna e, em seguida, secando bem o interior.

O congelador pode ter um odor diferente aquando da primeira utilização. Este irá desaparecer à medida que o aparelho arrefece.

Tenha em atenção o seguinte:

O aparelho irá iniciar a uma definição de temperatura de 3 °C e irá trabalhar continuamente até atingir a temperatura correta.

Se o aparelho for desligado, deverá aguardar cinco minutos antes de voltar a ligá-lo, para evitar danos desnecessários no compressor.

Nunca guarde itens inflamáveis ou explosivos nem ácidos corrosivos fortes ou alcalinos no aparelho.

Este congelador refrigera os seus alimentos arrefecendo a parte de trás da cavidade. É normal a acumulação de gelo nesta superfície; este acaba depois por descongelar e é drenado através de um pequeno orifício no fundo, onde evapora inofensivamente. A presença de algum gelo não significa que o congelador está a funcionar incorretamente.

Utilização do congelador

- Os compartimentos do congelador são concebidos para armazenar apenas alimentos congelados.
- Nunca coloque alimentos quentes ou mornos no congelador, deixe-os arrefecer completamente antes de colocá-los no congelador.
- Siga as instruções na embalagem para armazenar alimentos congelados. Se não forem fornecidas informações, os alimentos não devem ser armazenados durante mais de três meses após a data de compra.
- Guarde os alimentos em pequenas embalagens (idealmente com menos de 2,5 kg). Isto reduz o tempo de congelação e melhora a qualidade dos alimentos após a descongelação.
- Embrulhe alimentos antes de os colocar no congelador. Para evitar que o material utilizado para embrulhar cole, certifique-se de que está seco.
- Antes de congelar um alimento, coloque uma etiqueta com informações, incluindo o tipo de alimento e as datas de armazenamento e de validade.
- Após descongelar um alimento, este não deve ser congelado novamente, a não ser que tenha sido completamente cozinhado. Descongele apenas os alimentos necessários, para evitar o desperdício.
- Bebidas em garrafa ou em lata não devem ser armazenadas no compartimento do congelador, pois podem rebentar.
- Verifique a placa de classificação para confirmar a quantidade máxima de alimentos frescos que podem ser congelados num período de 24 horas.

Não tente congelar mais do que a quantidade máxima.

Armazenamento

O congelador tem como finalidade armazenar alimentos a curto prazo. Embora possam ser mantidas baixas temperaturas, não são recomendados períodos prolongados de armazenamento de alimentos.

Como o ar frio circula dentro do congelador, a temperatura pode variar entre as diferentes secções. Como tal, os alimentos devem ser armazenados em diferentes secções, de acordo com o tipo e tempo de armazenamento.

As secções inferiores são as partes mais frias do congelador.

As duas secções superiores têm abas amovíveis que permanecem abertas para facilitar a colocação e retirada de produtos. As 5 secções restantes são gavetas.

A 6ª configuração no painel de controlo, representada pelo floco de neve (Fig. 2), é uma função de supercongelamento. Esta deve ser utilizada ao congelar grandes quantidades de alimentos de uma só vez. Ative esta função 2 ou 3 horas antes de introduzir os alimentos e não a deixe ativada durante mais tempo do que o necessário.

Se esta função estiver ativada durante demasiado tempo, isto irá colocar tensão desnecessária no sistema de refrigeração. A função será automaticamente desativada após aproximadamente 24 horas.

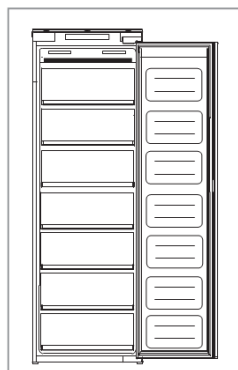
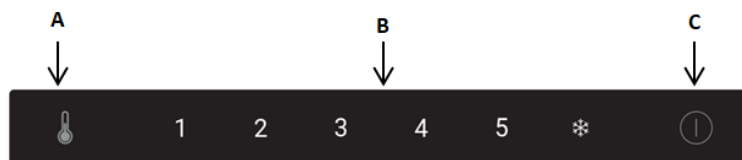


Fig. 2

A configuração mais energeticamente eficiente requer que as gavetas, a caixa e as prateleiras estejam dentro do frigorífico. Consulte as imagens acima.

- Sugere-se definir a temperatura para $-18\text{ }^{\circ}\text{C}$ no compartimento do congelador.
- Para alimentos congelados, consulte o período de armazenamento indicado na embalagem do alimento. Este período de armazenamento é alcançado sempre que a configuração respeita as temperaturas de referência do compartimento (uma estrela - $6\text{ }^{\circ}\text{C}$, duas estrelas $-12\text{ }^{\circ}\text{C}$, três estrelas $-18\text{ }^{\circ}\text{C}$).

Painel de controlo



A. Sensor de regulação da temperatura do congelador

Este botão é utilizado para ajustar a temperatura dentro do congelador. Pressione este sensor uma vez para ativar o ajuste e, em seguida, quantas vezes forem necessárias até selecionar o nível desejado. As configurações variam de 1 a 6, sendo 1 o mais quente e supercongelamento o mais frio.

Tenha em atenção o seguinte: Sempre que possível, evite ter constantemente o ajuste da temperatura em 5 ou em supercongelamento (floco de neve). Isto irá ajudar a aliviar a tensão no compressor e no sistema.

B. Ecrã de regulação da temperatura do congelador

Este ecrã irá acender com a regulação atual da temperatura. Regular a temperatura irá percorrer este ecrã.

Tenha em atenção o seguinte: Não utiliza os números 1 a 5 ou o floco de neve para mudar a temperatura. Em vez disso, utiliza o sensor de regulação da temperatura do congelador (A).

Posição	Condições
1-2	Temperatura de verão ou ambiente entre 25-35 °C
3-4	Temperatura de primavera, outono ou ambiente entre 15-25 °C
5	Temperatura de inverno ou ambiente entre 5-15 °C
Super freezing	Congelamento rápido

C. Botão para ligar/desligar

Pressione o sensor uma vez para despertar a função e, em seguida, pressione durante 3 segundos para ligar ou desligar o aparelho.

Este produto não tem uma função de memória após desligar ou após uma falha de energia.

Cuidados e limpeza

Desligue sempre o aparelho da fonte de alimentação antes de efetuar qualquer limpeza ou manutenção.

As secções das gavetas devem ser limpas utilizando uma solução de bicarbonato de sódio e água morna. Não utilize produtos abrasivos nem detergentes. Após a lavagem, enxague e seque completamente.

Limpe os compartimentos separadamente à mão utilizando uma solução ligeira de líquido de lavagem e água. Não utilize produtos de limpeza abrasivos nem detergentes.

Se o aparelho não for utilizado durante longos períodos de tempo, desligue-o e limpe-o. As portas devem ser deixadas ligeiramente abertas para evitar a formação de mofo e odores desagradáveis.

Descongelamento do congelador

O congelador tem um sistema sem gelo concebido para evitar a acumulação de uma grande quantidade de gelo. Em condições normais de utilização, não deve ser necessário descongelar regularmente o sistema do congelador.

Tenha em atenção o seguinte: Se verificar regularmente a existência de uma grande quantidade de gelo ou de zonas com água na secção do congelador, é provável que a porta não esteja a vedar corretamente. Tal pode ser devido a um defeito na vedação da porta ou a uma porta de decoração incorretamente montada ou excessivamente pesada. Para mais informações, consulte a secção de resolução de problemas sobre gelo.

Tenha em atenção o seguinte: Se verificar regularmente a existência de zonas com água no congelador ou se verificar que o compressor está a funcionar constantemente, é provável que a porta não esteja a vedar corretamente. Tal pode ser devido a um defeito na vedação da porta ou a

uma porta de decoração incorretamente montada ou excessivamente pesada. Para mais informações, consulte a secção de resolução de problemas sobre gelo na página 12.

Disponibilidade de peças de reposição

- Termóstatos, sensores de temperatura, placas de circuito impresso e fontes de luz, por um período mínimo de sete anos após a colocação no mercado da última unidade do modelo em causa;
- pegas de porta, dobradiças de porta, tabuleiros e cestos por um período mínimo de sete anos e vedantes de porta por um período mínimo de dez anos, após a colocação no mercado da última unidade do modelo em causa

Resolução de problemas

Se tiver quaisquer problemas com o seu aparelho, deve verificar a resolução de problemas antes de ligar para o Serviço de Apoio ao Cliente de Montpellier.

Se o aparelho não estiver a funcionar, verifique se:

- O aparelho está a receber alimentação elétrica.
- Os fusíveis da casa são intactos e se o fusível na tomada não reventou.
- O congelador não foi desligado
- A tomada está a funcionar corretamente. Para verificar esta situação, ligue outro aparelho elétrico para ver se a tomada está com algum defeito.

Se o aparelho estiver a funcionar, mas não muito bem, verifique se:

- O aparelho não está sobrecarregado.
- O termostato é regulado para uma temperatura adequada.
- As portas estão a fechar corretamente.
- O sistema de refrigeração na parte traseira do aparelho está limpo e sem pó, e se não está em contacto com a parede traseira.
- Existe ventilação suficiente nas paredes laterais e traseiras.
- Isto pode ser devido ao facto da(s) porta(s) de decoração não estar(em) corretamente montada(s), fazendo com que a porta do congelador não feche corretamente e deixando assim entrar ar quente. Se não tiver certeza, peça ao seu instalador para verificar as portas de decoração.

Se o aparelho estiver a fazer barulho, verifique se:

- O aparelho está nivelado e estável.
- As paredes laterais e traseiras estão desimpedidas e se não há nada apoiado no aparelho.
- Nota: O gás de refrigeração no sistema pode fazer um leve borbulhar ou um ruído de gorgolejar, mesmo quando o compressor não está em funcionamento.

Se o aparelho estiver a emitir um sinal sonoro, verifique se:

- A porta está fechada.

Se existir água na base do congelador:

- Verifique se há alguma resistência ao abrir a porta do aparelho. Se abrir ao mais pequeno toque, isto pode significar que o vedante da porta tem de ser substituído.
- Verifique a existência de dobras, detritos ou danos no vedante da porta. Se encontrar algo de anormal e não conseguir resolver o problema sozinho, contacte o Serviço de Apoio ao Cliente para que o vedante possa ser substituído.

- Isto pode ser devido ao facto da(s) porta(s) de decoração não estar(em) corretamente montada(s). Se não tiver certeza, peça ao seu instalador para verificar as portas de decoração.

Caso se tenha formado gelo excessivo no congelador:

- É normal a formação de algum gelo no congelador. Isto não constitui uma avaria no aparelho.
- Verifique se há alguma resistência ao abrir a porta do aparelho. Se abrir ao mais pequeno toque, isto pode significar que o vedante da porta tem de ser substituído.
- Verifique a existência de dobras, detritos ou danos no vedante da porta. Se encontrar algo de anormal e não conseguir resolver o problema sozinho, contacte o Serviço de Apoio ao Cliente para que o vedante possa ser substituído.
- Isto pode ser devido ao facto da(s) porta(s) de decoração não estar(em) corretamente montada(s). Se não tiver certeza, peça ao seu instalador para verificar as portas de decoração.

Assistência técnica

Para entrar em contato com a assistência técnica, visite nosso site: <https://corporate.haier-europe.com/en/> . Na seção “website”, escolha a marca do seu produto e o seu país. Você será redirecionado para o site específico onde poderá encontrar o número de telefone e formulário para entrar em contato com a assistência técnica

Preparação da instalação

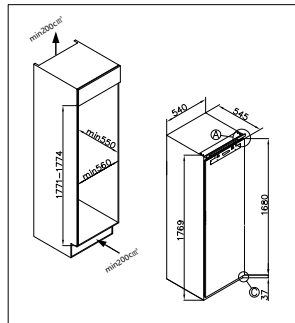
Este aparelho não deve nunca ser instalado próximo de fontes de calor como, por exemplo, elementos de aquecimento ou fogões, nem em locais húmidos.

Peça ajuda a uma ou mais pessoas ao instalar este aparelho. Este aparelho pode ter arestas afiadas. Use EPI adequado para a tarefa e para o ambiente.

- Para garantir que o aparelho está nivelado, deve utilizar os pés reguláveis em altura na parte dianteira do aparelho.
- O sistema de refrigeração na parte traseira do aparelho não deve estar em contacto com a parede traseira. Quanto maior for a distância, melhor.
- O aparelho deve ser instalado com ventilação adequada. Certifique-se de que uma existe folga adequada acima do aparelho para permitir que o ar escape e de que existe espaço suficiente entre a parte traseira do aparelho e a parede.

Instale este eletrodoméstico no local onde a temperatura ambiente corresponda à classe de temperatura indicada na chapa de características do eletrodoméstico:

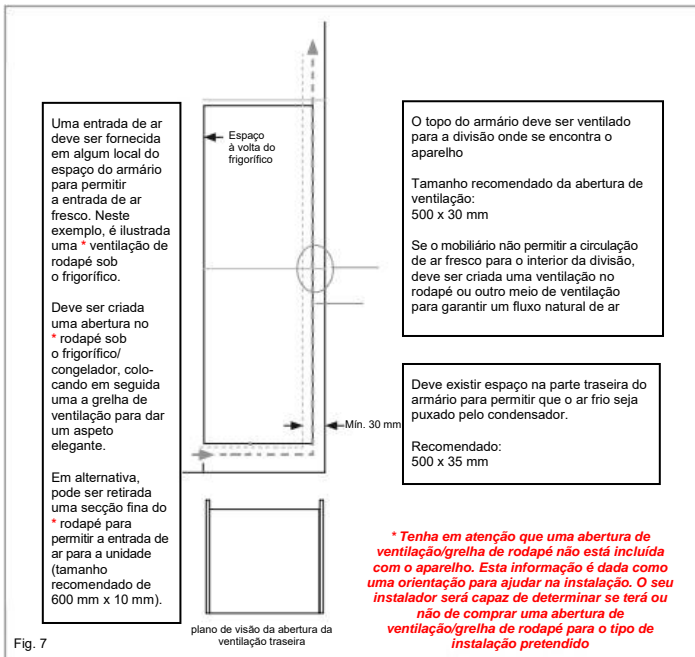
- Temperada alargada (SN): «Este aparelho de refrigeração destina-se a ser utilizado a temperaturas ambientes compreendidas entre 10 °C e 32 °C»
- Temperada (N): «Este aparelho de refrigeração destina-se a ser utilizado a temperaturas ambientes compreendidas entre 16 °C e 32 °C»
- Subtropical (ST): «Este aparelho de refrigeração destina-se a ser utilizado a temperaturas ambientes compreendidas entre 16 °C e 38 °C»



- Tropical (T): «Este aparelho de refrigeração destina-se a ser utilizado a temperaturas ambientes compreendidas entre 16 °C e 43 °C»

Ventilação

A principal consideração na instalação de qualquer unidade de refrigeração numa cozinha equipada é a ventilação. O calor retirado do compartimento de refrigeração deve ser dissipado para a atmosfera. Ventilação incorreta pode levar a uma falha prematura do compressor, consumo excessivo de energia, falha total do sistema e pode invalidar a garantia fornecida com o aparelho. Para os produtos destinados a ser instalados numa unidade de alojamento em altura, é necessário satisfazer os seguintes requisitos:



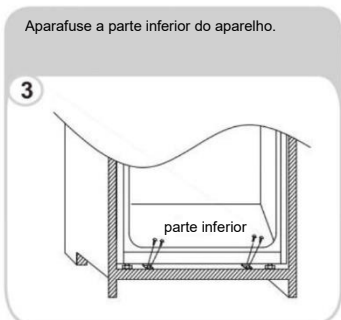
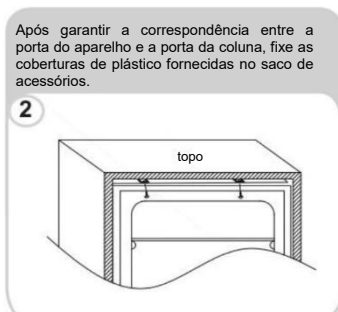
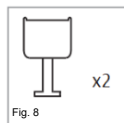
É claramente ilustrado o canal aberto na parte traseira. Para o funcionamento correto do aparelho, é importante que o topo da unidade de alojamento não esteja bloqueado. Uma profundidade de canal de 40-50 mm é apropriada para a maioria das unidades.

É necessário um orifício de ventilação no rodapé da unidade; isto permite que o ar seja puxado pelo compressor e permutador de calor. O fluxo de ar necessário pode ser obtido através da remoção de uma secção fina do rodapé (tamanho mínimo recomendado de 600 mm x 10 mm).

Como regra, quanto maior for a entrada e saída de ar, melhor e mais eficiente será o funcionamento do produto.

Instalação no armário

Com a ajuda de uma ou mais pessoas, desloque o aparelho para o armário. Existem duas placas de metal na base do aparelho. Encaixe os espaçadores brancos (Fig. 8) fornecidos para estas placas, de acordo com a Fig. 9.



Certifique-se de que os bordos dos espaçadores estão nivelados com o bordo da base do armário.

Montar a porta do painel

- Certifique-se de que existe um intervalo de 3 a 4 mm entre o lado sem dobradiças e a parede do armário.
- Localize a corrediça no suporte e fixe-a na porta do painel entre 20 e 22 mm a partir do bordo do painel, conforme ilustrado na figura 11, garantindo que a corrediça está posicionada central e horizontalmente dentro do suporte. Aperte firmemente com a mão.
- Tape a abertura do lado sem dobradiças com a tira da junta/vedante fornecida, conforme ilustrado na Fig. 12.
- O aspeto finalizado das corrediças da porta deve ser semelhante ao ilustrado na Fig. 14, que apresenta 2 corrediças na posição correta.
- **Certifique-se de que a porta do aparelho abre, fecha e veda corretamente.**

Uma vez concluída a instalação do aparelho no armário, dobre e parta as partes dos espaçadores brancos marcados com "S", conforme ilustrado pelo contorno pontilhado na Fig. 13. Deixe o resto da tampa do espaçador no lugar, sobre as placas de metal.

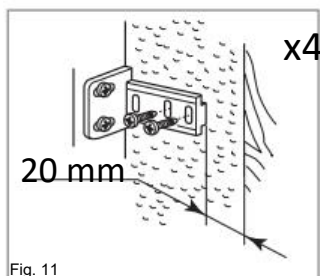


Fig. 11

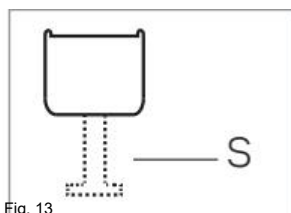


Fig. 13

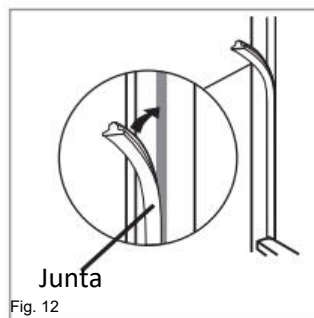


Fig. 12

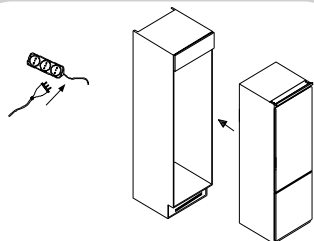


Fig. 14

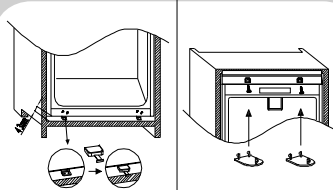
Importante: Após concluir a instalação, verifique se o aparelho está bem fixado dentro da unidade e se a(s) porta(s) fecha(m) e abre(m) corretamente. Se não houver resistência por parte dos vedantes ao abrir as portas, é provável que o aparelho e/ou as portas de decoração não estejam instaladas corretamente.

Instruções de instalação para produtos com dobradiças fixas.

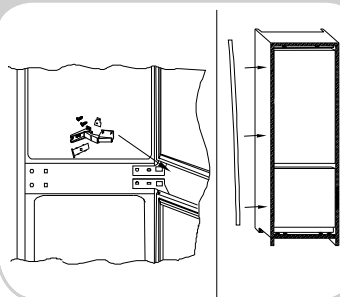
1



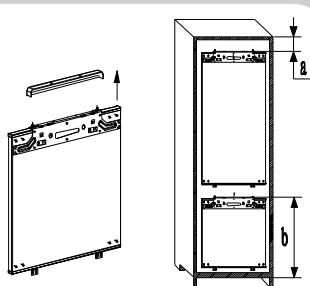
2



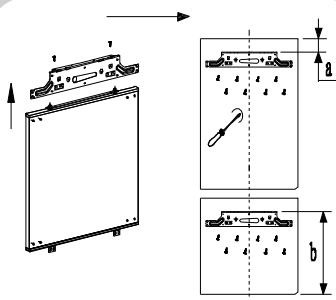
3



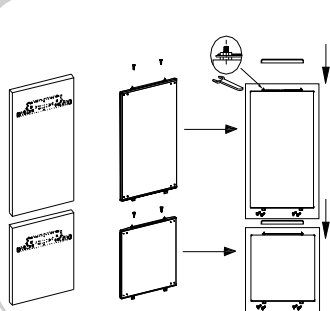
4



5



6

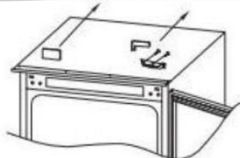


Inverter a porta do aparelho

Recomendamos que obtenha a ajuda de outra pessoa para suportar as portas durante a realização desta operação. Use sempre EPI (Equipamento de Proteção Individual) adequado para a tarefa em questão. Prepare uma superfície com uma toalha macia e limpa ou semelhante, onde possa colocar a porta durante estes passos.

Remova a cobertura da dobradiça superior direita e a dobradiça com a chave de parafusos.

1



Remova a porta.

2



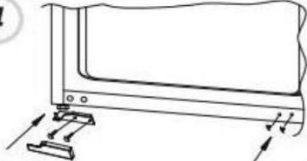
Remova a dobradiça inferior direita e os tampões de plástico da esquerda e volte a instalá-los no lado oposto.

3



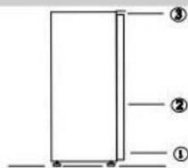
Coloque a dobradiça superior direita na parte inferior esquerda e instale a tampa.

4



Coloque a porta na dobradiça inferior e monte a dobradiça inferior na parte superior, certifique-se de que 1-2-3 estão muito próximos

5



Garantir a vedação correta da porta:

É normal que o vedante esteja comprimido após a porta ter sido invertida. Com a porta fechada, utilize um secador de cabelo para expandir o vedante e preencher o espaço entre a porta e o corpo do aparelho.

Tenha cuidado para não utilizar o secador de cabelo demasiado perto do aparelho, pois pode danificar o vedante. Uma distância de aproximadamente 10 cm deve ser adequada.

Quando terminar, deixe o vedante e a porta arrefecerem antes de lhes tocar. Após terminar esta operação, o vedante deve permanecer em posição.

PŘEHLED

BEZPEČNOSTNÍ INFORMACE	168
Likvidace starých spotřebičů	175
Shoda	175
Záruka	176
Úspora energie	176
Před prvním použitím	176
Použití mrazničky	176
Skladování	177
Ovládací panel	178
Péče a čištění	178
Odmrazování chladničky	178
Dostupnost náhradních dílů	179
Řešení problémů	179
Technická pomoc	180
Instalace	180
Ventilace	181
Instalace do skříňky	182
Montáž zavěšených dveří	183
Montážní návod pro výrobky s pevnými panty	184
Obrácené umístění dveří spotřebiče	184

Děkujeme, že jste si zakoupili tento výrobek.

Než použijete svou chladničku, přečtěte si pozorně tuto uživatelskou příručku, abyste na maximum využili její možnosti. Všechny dokumenty uložte pro následné použití jinými uživateli. Tento výrobek je určen výhradně pro domácí a podobná použití, jakými jsou například:

- kuchyňky pro zaměstnance v obchodech, kancelářích a na jiných pracovištích
- na farmách, klienty hotelů, motelů a dalších zařízení rezidenčního typu
- v ubytovních se snídání (B & B)
- pro cateringové služby a podobná použití neurčených pro maloobchodní prodej.

Tento spotřebič smí být používán pouze pro skladování potravin, jakékoliv jiné použití bude považováno za nebezpečné a výrobce neponese odpovědnost za jakákoliv opominutí. Rovněž doporučujeme, abyste si přečetli záruční podmínky.

BEZPEČNOSTNÍ INFORMACE

Pěčlivě si přečtěte uživatelskou příručku a pokyny k instalaci!

Obsahují důležité informace o tom, jak instalovat, používat a udržovat spotřebič.

Výrobce neodpovídá za to, že nedodržíte pokyny a varování.

Všechny dokumenty uložte pro následné použití dalším majitelem.

- **Spotřebič nepřipojíte k elektrické síti až do odstranění všech obalů a přepravních ochran. Obal a všechny jeho části uchovávejte mimo dosah dětí.**

Nebezpečí udušení skládacími kartony a plastovou fólií!

- **Pokud bude výrobek přepravován horizontálně, nechte je před zapnutím stát alespoň 4 hodiny, aby se mohl usadit kompresorový olej.**
- **Zkontrolujte, že není výrobek poškozen z přepravy.**
- **Nepoškozujte okruh chladiwa.**

- Ponechte vždy nezablokované ventilační otvory v plášti spotřebiče nebo ve vestavěné konstrukci.
- K omývání kompresoru nikdy nepoužívejte vodu, po vyčištění jej důkladně otřete suchým kusem látky, aby nezrezl.
- S tímto výrobkem musí manipulovat vždy nejméně dvě osoby, protože je příliš těžký.
- Spotřebič instalujte a vyrovnejte na místě vhodném pro jeho rozměry a použití.
- Zkontrolujte, že údaje o elektrickém připojení na typovém štítku odpovídají napájení. Pokud ne, obraťte se na elektrikáře.
- Spotřebič je poháněn napětím 220–240 V AC / 50 Hz. Abnormální výkyvy napětí mohou způsobit, že se spotřebič nespustí, nebo se mu poškodí termostat či kompresor, nebo může při provozu vydávat abnormální hluk. V takovém případě musí být namontován automatický regulátor.
- Pouze pro Spojené království: Napájecí kabel spotřebiče je vybaven vidlicí se 3 kolíky (uzemnění), která je vhodná pro běžnou zásuvku se otvory (uzemněnou). Nikdy neodřezávejte ani neodmontovávejte třetí kolík (uzemnění). Vidlice by měla být po instalaci přístroje přístupná.
- Zkontrolujte, že není napájecí kabel při a po přenášení/stěhování spotřebiče zachycen pod ním, aby nedošlo k přerušení nebo poškození kabelu. Je-li přívodní kabel poškozen, smí jej s ohledem na možné riziko vyměnit jen výrobce, jím pověřený pracovník servisu nebo osoba s podobnou kvalifikací.

- Spotřebič neinstalujte na vlhkých, olejem znečištěných nebo prašných místech, ani jej nevystavujte přímému slunečnímu světlu a vodě.
- Spotřebič neinstalujte poblíž zdrojů tepla nebo hořlavých materiálů.
- PRO spotřebiče s mrazicím oddělením: při výpadku napájení neotevírejte víko. Zmrazeným potravinám by se nemělo nic stát, bude-li výpadek trvat méně než hodinu, jak je uvedeno na typovém štítku (čas zvýšení teploty). Bude-li výpadek delší, pak byste měli potraviny zkontrolovat a ihned zkonzumovat, nebo je uvařit a pak zmrazit znovu.
- Jestliže zjistíte, že je obtížné otevřít víko spotřebiče krátce po zavření, neobávejte se. Je to způsobeno rozdílem tlaku, který se po několika minutách vyrovná, a víko bude možné normálně otevřít.
- Ve spotřebiči neskladujte léky, bakterie ani chemická činidla. Tento přístroj je domácím spotřebičem, nedoporučuje se v něm skladovat materiály, které vyžadují striktní dodržení teploty.
- Napájecí kabel příliš nenatahujte ani nepřehýbejte, ani se jej nedotýkejte mokřýma rukama.
- Ve spotřebiči neukládejte výrobky obsahující hořlavý hnací plyn (např. spreje). Nebezpečí výbuchu!

- Na chladničku neumisťujte nestabilní předměty (těžké předměty, nádoby naplněné vodou), abyste předešli zranění způsobenému pádem nebo zásahem elektrickým proudem po styku s vodou.
- Uvnitř přihrádek na potraviny nepoužívejte elektrické spotřebiče, pokud se nebude jednat o typy doporučené výrobcem.
- Nedotýkejte se vnitřních chladicích prvků, zejména mokřýma rukama, abyste předešli prasklinám nebo zraněním.
- Ohrožené jsou děti, osoby s omezenými, fyzickými, mentálními nebo sensorickými schopnostmi a rovněž osoby s nedostatečnými znalostmi týkajícími se bezpečného provozu spotřebiče.
- Ujistěte se, že děti a zranitelné osoby porozuměly nebezpečím. Osoba odpovědná za bezpečnost musí dohlížet nebo instruovat děti a zranitelné osoby, které používají spotřebič. Spotřebič smí používat děti od 8 let.
- Spotřebič není určen na hraní pro děti.
- Vkládat předměty do spotřebiče a brát je z něj mohou děti od 3 do 8 let.

- **PRO spotřebiče s mrazničkou: do mrazničky neukládejte tekutiny v lahvích nebo plechovkách (zejména sycené nápoje). Lahve a plechovky se mohou roztrhnout!**
- **PRO spotřebiče s mrazničkou: zmrazené potraviny z mrazničky nikdy neukládejte přímo do úst. Nebezpečí omrzlin!**
- **Plastové díly a těsnění dveří chraňte před olejem a tukem. V opačném případě plastové díly a těsnění dveří zpuchří.**
- **Před prováděním jakýchkoliv činností odpojte napájecí kabel ze zásuvky.**
- **Pro urychlení procesu rozmrazování nepoužívejte jiná mechanická zařízení nebo jiné prostředky než doporučená výrobcem.**
- **Pro odstranění námrazy nepoužívejte špičaté nebo ostré předměty ani vidličky.**
- **K rozmrazení nikdy nepoužívejte vysoušeče vlasů, elektrická topná tělesa nebo jiné elektrické spotřebiče.**
- **Doporučujeme chránit vidlici před prachem, nadměrně usazený prach na vidlici může způsobit požár.**
- **Nepokoušejte se opravovat, demontovat nebo upravovat spotřebič sami. Kvůli opravám se vždy obraťte na náš zákaznický servis.**
- **Při čištění nebo údržbě chladničky dávejte pozor na děti.**

- Studené skleněné přihrádky nemyjte horkou vodou. Náhlá změna teploty může způsobit prasknutí skla.
- **VÝSTRAHA:** Trubice okruhu chladiva obsahují malé množství ekologického, ovšem hořlavého chladiva (R600a) a izolačního plynu (cyklopentan). Nepoškozuje ozonovou vrstvu a nezvyšuje skleníkový efekt. Pokud chladivo unikne, může poranit vaše oči nebo se vznítit.
- Jestliže se okruh chladiva poškodí:
 - Vypněte spotřebič a vytáhněte vidlici ze zásuvky.
 - Ke spotřebiči se nepřibližujte s otevřeným ohněm a/nebo zápalnými zdroji.
 - Místnost několik minut větrejte.
 - Informujte službu zákazníkům.
- **VÝSTRAHA:** Nepoškozuje zásuvku a/nebo vidlici, mohli byste způsobit zásahy elektrickým proudem nebo požár.
- **VÝSTRAHA:** Nepoužívejte prodlužovací kabely s více zásuvkami ani přenosné zdroje napájení. Nedoporučujeme použití prodlužovacích kabelů a adaptérů s více přípojkami.
- Na spotřebiči se nepokoušejte sedět ani stát. Mohli byste se zranit a poškodit spotřebič. Tento spotřebič není určen k tomu, abyste jej s dalšími skládali na sebe.

- Výrobek je určen a vyroben pouze pro použití v domácnosti.
- Smí být použity pouze originální díly dodávané výrobcem. Výrobce zaručuje, že pouze tyto díly vyhovují bezpečnostním požadavkům.
- Dlouhodobé otevření dveří může způsobit výrazné zvýšení teploty v odděleních spotřebiče.
 - Pravidelně čistěte povrchy, které se dostávají do styku s potravinami a přístupný systém pro odvod vody.
 - Vyčistěte nádrže na vodu, které nebudete využívat 48 h; vypláchněte vodní systém připojený k přívodu vody, pokud jste z něj nečerpali vodu po dobu 5 dnů.
 - Syrové maso a ryby skladujte v lednici ve vhodných nádobách, aby nepřišly do styku s jinými potravinami ani na ně nekapaly.
 - Oddělení na mražené potraviny se dvěma hvězdičkami (budou-li se nacházet ve spotřebiči) se hodí pro skladování předmražených potravin, skladování nebo výrobu zmrzliny a výrobu kostek ledu.
 - Pokud je váš spotřebič vybaven oddíly mrazničky s jednou, dvěma a třemi hvězdičkami, nehodí se ke zmrazování čerstvých potravin.
 - Ponecháte-li spotřebič po dlouhou dobu prázdný, vypněte jej, odmrazte, vymyjte, vysušte a ponechejte otevřené dveře, aby se uvnitř neusadila plíseň.

- **PRO vinotéky: tento výrobek je určen výhradně pro skladování vína**
- **PRO volně stojící spotřebiče: tato chladnička není určena pro použití jako vestavěný spotřebič**
- **PRO spotřebiče se 4hvězdičkovým oddílem: tato chladnička není vhodná pro zmrazování potravin**

Likvidace starých spotřebičů



Tento spotřebič je označen podle evropské směrnice 2012/19/EU o odpadních elektrických a elektronických zařízeních (OEEZ).

OEEZ obsahuje jak znečišťující látky (což může mít negativní dopady na životní prostředí), tak základní komponenty (které lze použít opakovaně). Je důležité, aby se s OEEZ zacházelo specifickým způsobem, aby byly správně odstraněny a zlikvidovány všechny znečišťující látky a byly sebrány a recyklovány všechny materiály.

Jednotlivci mohou hrát významnou roli při zajištění, že se OEEZ nestanou ekologickým problémem; je zásadní dodržovat některá základní pravidla:

- s OEEZ by se nemělo nakládat jako s odpadem z domácností;
- OEEZ by měla být odevzdávat na příslušných sběrných místech spravovaných obcí nebo registrovanými společnostmi. V mnoha zemích může být pro velká OEEZ organizován svoz z domácností.

Když si v mnoha zemích kupujete nový spotřebič, můžete starý vrátit prodejci, který jej zdarma odebere kus za kus, bude-li se jednat o zařízení ekvivalentního typu a má stejné funkce jako dodávané vybavení.

Shoda

Tím, že jsme na tento výrobek umístili tuto  značku, potvrzujeme shodu se všemi relevantními evropskými bezpečnostními, zdravotními a environmentálními požadavky, které se v legislativě vztahují na tento výrobek.

Záruka

Minimální záruka činí: 2 roky pro země EU, 3 roky v Turecku, 1 rok ve Spojeném království, 1 rok v Rusku, 3 roky ve Švédsku, 2 roky v Srbsku, 5 let v Norsku, 1 rok v Maroku, 6 měsíců v Alžírsku, Tunisko nepožaduje žádnou zákonnou záruku.

Úspora energie

Pro lepší úsporu energie doporučujeme:

- Instalujte spotřebič daleko od zdrojů tepla, nevystavujte jej přímému slunečnímu světlu a umístěte jej do dobře větrané místnosti.
- Do chladničky nevkládejte horké pokrmy, aby se nezvyšovala vnitřní teplota, a tím neustále neběžel kompresor.
- Nevkládejte příliš velké množství potravin, abyste zajistili správné proudění vzduchu.
- Bude-li se ve spotřebiči nacházet led, odmrazte ho, abyste zlepšili přenos chladu.
- Dojde-li k výpadku elektrického napájení, doporučujeme, abyste ponechali dveře chladničky zavřené.
- Dveře spotřebiče otevřete nebo ponechávejte otevřené co nejméně.
- Nenastavujte teplotu na příliš chladnou.
- Odstraňte prach na zadní straně spotřebiče

Další informace najdete na adrese <https://eprel.ec.europa.eu/>, nebo naskenujte QR kód na energetickém štítku dodávaném se spotřebičem

Před prvním použitím

Než mrazničku zapnete, musíte ji nechat alespoň čtyři hodiny odstát.

Doporučujeme, abyste před prvním použitím vyčistili vnitřek přístroje roztokem jedlé sody a teplé vody a pak jej důkladně vysušte.

Mraznička může při prvním použití zapáchat. Ten zmizí, jakmile se spotřebič ochladí.

Vezměte na vědomí:

Spotřebič se spustí s nastavením teploty 3 a bude pracovat nepřetržitě až do dosažení správné teploty.

Jestliže spotřebič vypnete, měli byste před opětovným zapnutím pět minut počkat, aby se nepoškodil kompresor.

Ve spotřebiči nikdy neukládejte hořlavé nebo výbušné předměty a silné korozivní kyseliny nebo zásady.

Tato mraznička ochladí vaše potraviny snížením teploty ve vnitřním prostoru. Je běžné, že se na tomto povrchu usazuje námraza; následně roztaje a bude odvedena malým spodním odtokem, kde se pak neškodně odpaří. Přítomnost námrazy na zadní stěně není vadou mrazničky.

Použití mrazničky

- Oddíly mrazničky jsou určeny pouze ke skladování zmrazených potravin.
- Do mrazničky nikdy nevkládejte horké nebo teplé potraviny, před vložením do mrazničky je nechte zcela vychladnout.

- Při skladování zmrazených potravin postupujte podle pokynů na obalu potravin. Nebudou-li uvedeny žádné informace, neměly by být potraviny uskladněny více než tři měsíce po zakoupení.
- Potraviny skladujte po malých baleních (ideálně méně než 2,5 kg). Tím se zkrátí čas zmrazení a zlepší kvalita jídla po rozmrazení.
- Potraviny před vložením do mrazničky zabalte. Aby k sobě obaly nepřimrzly, zkontrolujte, že jsou suché.
- Potraviny před zmrazením označte informacemi s druhem potraviny a datem uložení a použitelnosti.
- Když potraviny rozmrznou, nesmíte je znovu zmrazit, pokud je neuvaříte. Abyste předešli plýtvání, rozmrazujte pouze tolik potravin, kolik potřebujete.
- V oddílu mrazničky neskladujte nápoje v lahvích nebo plechovkách, protože by mohly vybuchnout.
- Podle typového štítku zkontrolujte maximální množství čerstvých potravin, které lze zmrazit během 24 hodin.

Nepokoušejte se zmrazit větší než maximální množství.

Skladování

Mraznička je určena ke krátkodobému a střednědobému skladování potravin. Přestože lze udržet nízkou teplotu, příliš dlouhé skladování potravin se nedoporučuje.

Protože v mrazničce proudí chladný vzduch, může se lišit teplota v jejích různých částech. Proto by měly být potraviny ukládány v různých částech podle své doby skladování. Spodní části jsou v mrazničce nejchladnější.

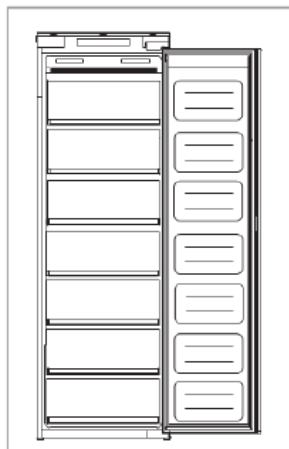
Horní dvě části jsou opatřeny otevíracími klápkami pro snadné vkládání a vyjímání. Zbývajících 5 částí jsou zásuvky.

6. stupněm na ovládacím panelu znázorněným sněhovou vločkou (obr. 2) je funkce super mrazení. To se používá, když najednou zmrazujete velké množství potravin. Tuto funkci aktivujte 2 nebo 3 hodiny před vložením potravin a nenechávejte ji puštěnou zbytečně dlouho.

Pokud bude spuštěná příliš dlouho, nadměrně zatíží chladicí systém. Funkce se automaticky vypne přibližně za 24 hodin.

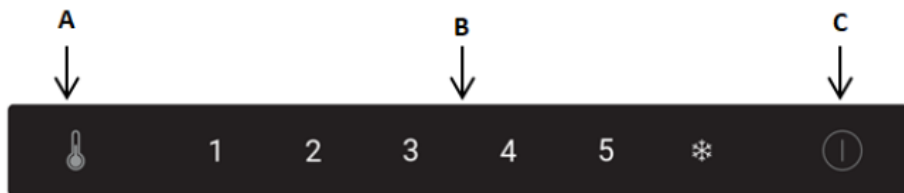
Konfigurace nejvíc šetřící energii vyžaduje, aby byly ve výrobku umístěny zásuvky, boxy na potraviny a police, viz obrázky výše.

- V oddílu mrazničky doporučujeme nastavit teplotu na -18°C .
- U zmrazených potravin dodržujte dobu skladování uvedenou na jejich obalu. Této doby skladování bude dosaženo, pokud bude nastavení dodržovat referenční teploty oddílu (jedna hvězdička – 6°C , dvě hvězdičky – 12°C , tři hvězdičky – 18°C)



Obr. 2

Ovládací panel



A. Snímač nastavení teploty v mrazničce

Toto tlačítko se používá k nastavení teploty v mrazničce. Jedním stisknutím tohoto snímače provedete nastavení a pak tolikrát, kolikrát bude nutné k dosažení požadované úrovně. Rozsah nastavení činí 1 až 6, kdy 1 je nejteplejší a super chlazení nejchladnější.

Vezměte na vědomí: Bude-li to možné, nenastavujte teplotu trvale na 5 nebo super chlazení (vločka). Tím snížíte zatížení kompresoru a systému.

B. Displej nastavení teploty mrazničky

Na tomto displeji svítí aktuální nastavení teploty. Při nastavování teploty budete tímto displejem procházet.

Vezměte na vědomí: Pro změnu teploty nepoužívejte čísla 1 až 5 nebo sněhovou vločku. Namísto toho použijte snímač pro nastavení teploty v mrazničce (A).

C. Vypínač

Snímač stiskněte jednou, abyste spustili tuto funkci, pak jej podržte 3 vteřiny a spotřebič zapněte, nebo vypněte.

Poloha	Podmínky
1-2	Léto nebo okolní teplota 25–35 °C
3-4	Jaro, podzim, nebo okolní teplota 15–25 °C
5	Zima, nebo okolní teplota 5–15 °C
Super mrazení	Rychlé mrazení

Tento spotřebič je vybaven funkcí vypnutí nebo paměti při výpadku napájení.

Péče a čištění

Před jakýmkoli čištěním nebo údržbou vždy odpojte spotřebič od elektrického napájení.

Části zásuvek byste měli čistit roztokem jedlé sody a vlažné vody. Nepoužívejte abrazivní produkty nebo čisticí prostředky. Po umytí opláchněte a důkladně osušte.

Oddíly vyčistěte samostatně ručně a pomocí jemného roztoku tekutého prostředku na nádobí a vody. Nepoužívejte abrazivní čističe nebo prostředky.

Nebudete-li spotřebič delší dobu používat, odpojte jej od sítě a vyčistěte. Dveře ponechte mírně pootvřené, abyste zabránili usazování plísní a vzniku nepříjemného zápachu.

Odmrazování chladničky

Mraznička není vybavena systémem No Frost zabraňujícím tvorbě rozsáhlé námrazy. Za běžného použití není třeba systém mrazničky pravidelně odmrazovat.

Vezměte na vědomí: Budete-li v oddílu mrazničky pravidelně nacházet výraznou námrazu nebo kaluže vody, je pravděpodobné, že dveře správně netěsní. To může být způsobeno vadným těsněním dveří nebo jejich nesprávným uchycením či nadměrně těžkými dekorativními dveřmi. Více informací najdete v části týkající se řešení problémů s ledem.

Vezměte na vědomí: Budete-li v mrazničce pravidelně nacházet kaluže vody, námrazu, nebo pozorujete-li, že kompresor neustále běží, pak je pravděpodobné, že dveře správně netěsní. To může být způsobeno vadným těsněním dveří nebo jejich nesprávným uchycením či nadměrně těžkými dekorativními dveřmi. Více informací najdete v části týkající se řešení problémů s ledem na straně 12.

Dostupnost náhradních dílů

- Termostaty, teplotní snímače, desky plošných spojů a světelné zdroje budou dostupné minimálně sedm let po umístění poslední jednotky modelu na trh.
- Dveřní madla, závěsy, nádoby a koše minimálně sedm let a dveřní těsnění minimálně 10 let po umístění poslední jednotky modelu na trh.

Řešení problémů

Budete-li mít s vaším spotřebičem jakýkoliv problém, měli byste si, než zavoláte péči zákazníkům Montpellier, přečíst toto řešení problémů.

Jestliže spotřebič nefunguje, zkontrolujte:

- Že je spotřebič napájen elektřinou.
- Že jsou netknuté domácí pojistky a není spálená pojistka ve vidlici.
- Že není mraznička vypnuta.
- Že správně funguje zásuvka. To zjistíte tak, že do zásuvky zapojíte jiný elektrický spotřebič, abyste viděli, zda je zásuvka vadná.

Bude-li spotřebič fungovat, ovšem ne příliš dobře, zkontrolujte:

- Že spotřebič není přetížený.
- Že je termostat nastaven na správnou teplotu.
- Že jsou správně zavřené dveře.
- Že se na chladicím systému v zadní části spotřebiče nenachází žádný prach a že se nedotýká zadní stěny.
- Že je u bočních a zadní stěny dostatečný prostor pro ventilaci.
- To může být způsobeno nesprávným připevněním dekorativních dveří, takže se dveře mrazničky správně nezavírají a dovnitř vniká teplo. Nebudete-li si jisti, požádejte svého montážního pracovníka, aby zkontroloval dekorativní dveře.

Jestliže je spotřebič hlasitý, zkontrolujte:

- Že je spotřebič vyrovnaný a stabilní.
- Zda jsou boční a zadní stěna volné a že není na spotřebiči nic položeno.
- Poznámka: Chladicí plyn v systému může vydávat slabý zvuk bublání nebo zurčení, a to i s vypnutým kompresorem.

Jestliže je spotřebič pípá, zkontrolujte:

- Že jsou zavřené dveře.

Bude-li se na dně mrazničky nacházet voda, zkontrolujte:

- Zkontrolujte, že při otevírání dveří cítíte určitý odpor. Jestliže se otevrou i slabým dotykem, znamená to, že musíte vyměnit těsnění dveří.

- Zkontrolujte, že těsnění není prohnuté, znečištěné ani poškozené. Pokud něco takového zjistíte a nedokážete opravit závadu sami, obraťte se na oddělení péče o zákazníky, aby bylo možné těsnění vyměnit.
- Může to být způsobeno nesprávným uchycením dekorativních dveří. Nebudete-li si jisti, obraťte se na svého montážního pracovníka, aby zkontroloval dekorativní dveře.

Jestliže se v mrazničce nadměrně tvoří led:

- Je normální, že se v mrazničce vytváří nějaký led. Nejedná se o vadu spotřebiče.
- Zkontrolujte, že při otevírání dveří cítíte určitý odpor. Jestliže se otevrou i slabým dotykem, znamená to, že musíte vyměnit těsnění dveří.
- Zkontrolujte, že těsnění není prohnuté, znečištěné ani poškozené. Pokud něco takového zjistíte a nedokážete opravit závadu sami, obraťte se na oddělení péče o zákazníky, aby bylo možné těsnění vyměnit.
- Může to být způsobeno nesprávným uchycením dekorativních dveří. Nebudete-li si jisti, obraťte se na svého montážního pracovníka, aby zkontroloval dekorativní dveře.

Technická pomoc

Technickou pomoc kontaktujete po návštěvě naší internetové stránky: <https://corporate.haier-europe.com/en/>
V části „Internetová stránka“ vyberte značku výrobku a vaši zemi. Budete přeměrováni na konkrétní internetovou stránku, kde najdete telefonní číslo a kontaktní formulář technické pomoci.

Instalace

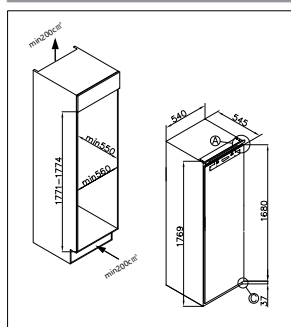
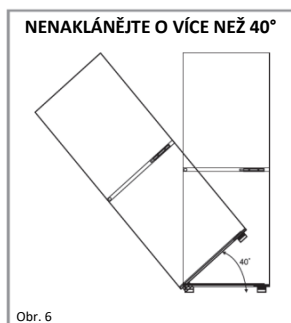
Tento spotřebič nesmí být nikdy instalován poblíž zdrojů tepla, např. topných těles nebo sporáků, ani na vlhkých místech.

Při instalaci tohoto spotřebiče si vyžádejte pomoc jedné či dvou osob. Spotřebič může mít ostré hrany. Použijte osobní ochranné prostředky vhodné pro prováděnou práci a prostředí.

- Abyste zajistili, že bude spotřebič vyrovnaný, měli byste použít výškově nastavitelné nožky na přední straně přístroje.
- Chladicí systém na zadní straně se nesmí dotýkat zadní stěny. Čím větší bude mezera, tím lépe.
- Spotřebič musí být instalován s dostatečnou ventilací. Zkontrolujte, že se nad spotřebičem nachází prostor umožňující únik vzduchu a že existuje mezera mezi zadní stranou spotřebiče a stěnou.

Spotřebič instalujte na místě, kde teplota prostředí odpovídá klimatické třídě na typovém štítku spotřebiče:

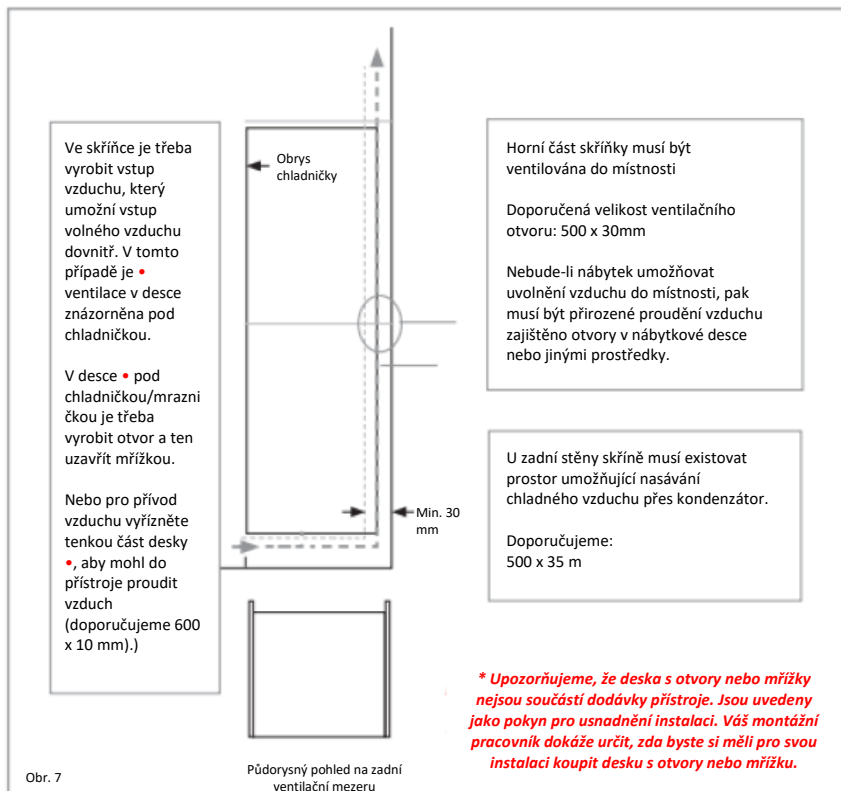
- Vyšší teplotní rozsah (SN): „tato chladnička je určena pro použití s okolní teplotou 10 až 32 °C“
- Teplota (N): „tato chladnička je určena pro použití s okolní teplotou 16 až 32 °C“
- Subtropické pásmo (ST): „tato chladnička je určena pro použití s okolní teplotou 16 až 38 °C“



- Tropicke pásmo (T): „tato chladnička je určena pro použití s okolní teplotou 16 až 43 °C“

Ventilace

Hlavním faktorem při instalaci chladničky do hotové kuchyně je ventilace. Teplu odváděné z chladicího oddílu se musí rozptýlovat do atmosféry. Nesprávná ventilace může způsobit předčasnou poruchu kompresoru, nadměrnou spotřebu elektřiny, celkovou poruchu systému a může být příčinou zneplatnění záruky na přístroj. U výrobků určených k montáži do vysoké skříňky musí být splněny tyto požadavky:



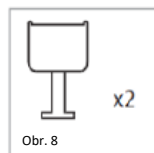
Je jasné vidět otevřený zadní kanál. Pro správný provoz přístroje je důležité, aby nebyla zablokována horní strana skříňky. U většiny skříňek je normální hloubka kanálu 40–50 mm.

V desce skříňky je nutný ventilační otvor; ten umožní nasávání vzduchu kompresorem a výměnu tepla. Požadovaného proudu vzduchu je možné dosáhnout odstraněním tenké části desky (doporučujeme minimálně 600 x 10 mm).

Zpravidla platí, že čím více vzduchu se dostává dovnitř a ven, tím lépe bude spotřebič fungovat.

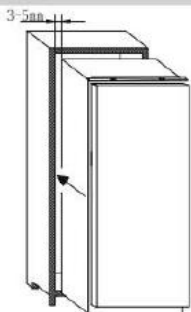
Instalace do skříňky

Pomocí jedné či dvou osob přeneste chladničku do skříňky. Na základně přístroje se nachází dvě kovové destičky. Do těchto desek vložte přiložené bílé podložky (obr. 8) jako na obr. 9.



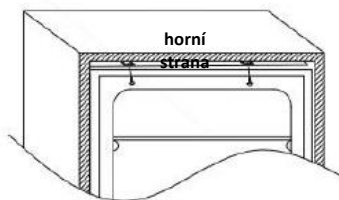
Spotřebič vložte do sloupku a umístěte jej na opačnou stranu závěsů a zkontrolujte vzdálenost 3-5 mm.

1



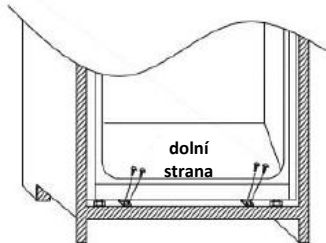
Jakmile srovnáte dveře spotřebiče a dveře sloupku, připevňte plastové krytky ze sáčku s příslušenstvím.

2



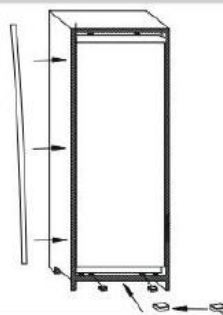
Přišroubujte spodní část spotřebiče.

3



Ke spotřebiči připevňte těsnění, nadbytečné části uřízněte. Nasaďte plastové krytky na spodní díly.

4

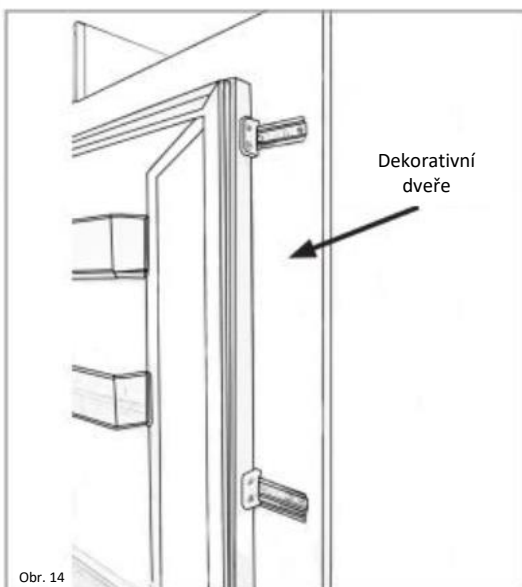
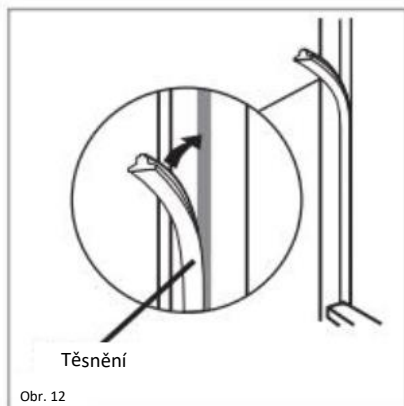
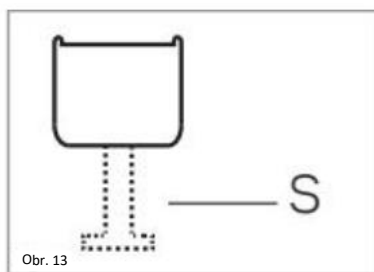
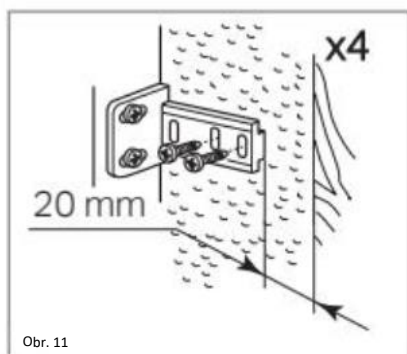


Zkontrolujte, že budou okraje podložek zarovnaný s okraji základny skříňky.

Montáž zavěšených dveří

- Zkontrolujte, že se mezi nezavěšenou stranou a stěnou skříňky nachází mezera 3 až 3 mm.
- Posuvník vložte do držáku a pak jej připevněte k závěsným dveřím ve vzdálenosti 20 až 22 mm od okraje závěsných dveří, jak vidíte na obrázku 11, abyste zajistili, že bude posuvník v držáku umístěn ve středu a horizontálně. Bezpečně dotáhněte rukou.
- Mezery na nezavěšené straně vyplňte příloženým těsněním / těsnícím páskem, jak vidíte na obr. 12.
- Namontované posuvníky dveří by se měly podobat těm, které vidíte na obrázku 14, kde jsou 2 posuvníky.
- **Zkontrolujte, že se dveře spotřebiče otvírají, zavírají a těsní správně.**

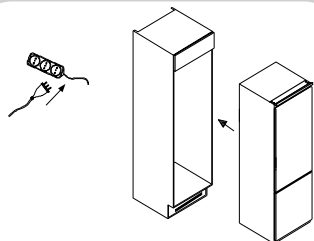
Jakmile budete hotovi a budete spokojeni s připevněním spotřebiče ve skřínce, ohněte a zaklapněte bílé podložky označené písmenem „S“, jak je znázorněno tečkovanou čarou na obr. 13. Zbývající kryt podložky ponechte na místě nad kovovými díly.



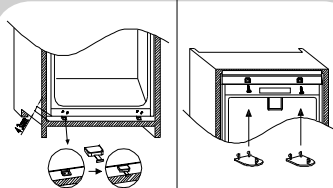
DŮLEŽITÉ! Po dokončení instalace zkontrolujte, že je spotřebič zajištěn ve skřínce a že se dveře zavírají a otvírají správně. Jestliže při otvírání dveří nezaznamenáte odpor, pak je pravděpodobné, že nejsou dveře spotřebiče a/nebo dekorativní dveře připevněny správně.

Montážní návod pro výrobky s pevnými panty.

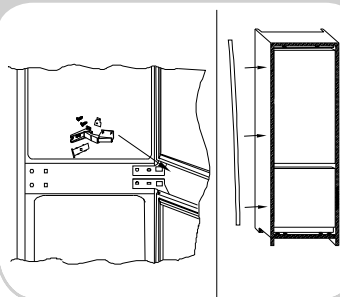
1



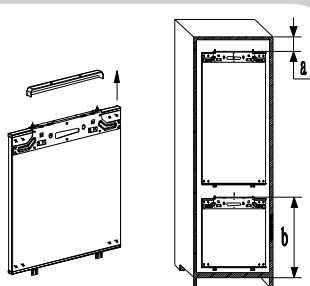
2



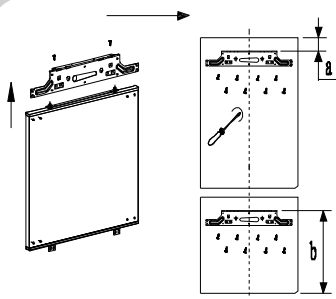
3



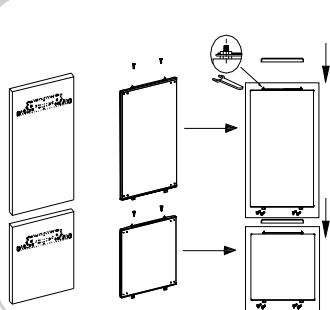
4



5



6

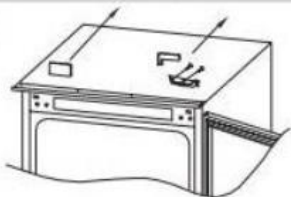


Obrácené umístění dveří spotřebiče

Při provádění této operace doporučujeme, aby vám pomohla další osoba. Vždy používejte osobní ochranné prostředky vhodné pro prováděný úkol. Připravte si plochu s měkkým, čistým ručníkem apod., na nějž při tomto postupu položíte dveře.

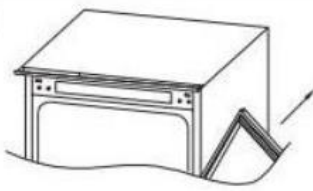
Šroubovákem uvolněte pravý horní kryt závěsu a závěs.

1



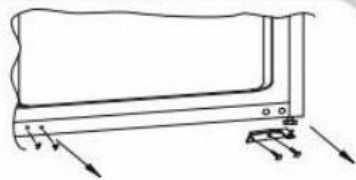
Odstraňte dveře.

2



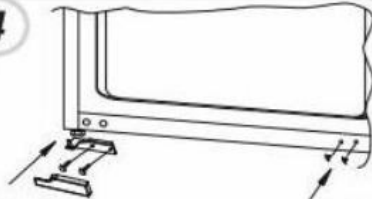
Odstraňte pravý dolní závěs a levé plastové zátky a připevňte je na opačnou stranu.

3



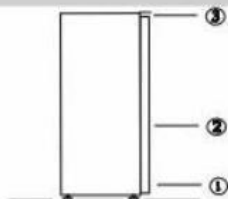
Pravý horní závěs namontujte doleva dolů a připevňte kryt.

4



Nasadte dveře na spodní závěs a namontujte jej nahoru, zkontrolujte, že se 1-2-3 nachází velmi blízko.

5



Zkontrolujte správné těsnění dveří:

Je normální, že se bude po obrácení dveří těsnění zmáčknuté. Zavřete dveře a použijte vysoušeč vlasů, aby se těsnění rozšířilo, a vyplňte mezeru mezi dveřmi a tělem spotřebiče.

Dávejte pozor, abyste vysoušeč vlasů nepoužívali příliš blízko spotřebiče a těsnění nepoškodili. Vhodná je vzdálenost přibližně 10 cm.

Až budete hotovi, nechte těsnění a dveře vychladnout, než se jich budete dotýkat. Pak by mělo těsnění držet na místě.

OBSAH

BEZPEČNOSTNÉ INFORMÁCIE	187
Likvidácia starých spotrebičov	194
Zhoda	194
Záruka	195
Úspora energie	195
Pred prvým použitím	195
Používanie mrazničky	195
Uchovávanie potravín	196
Ovládací panel	197
Starostlivosť a čistenie	197
Odmrazovanie chladničky	197
Dostupnosť náhradných súčastí	198
Odstraňovanie problémov	198
Technická pomoc	199
Inštalácia	200
Vetranie	201
Inštalácia do skrine	202
Montáž vonkajších krycích dverí	203
Návod na montáž produktov s pevnými pántmi	204
Montáž dverí spotrebiča na opačnú stranu	205

Ďakujeme vám za nákup tohto výrobku.

Pred použitím chladničky si dôkladne prečítajte tento návod, aby vám spotrebiččo najlepšie poslužil. Uschovajte všetky dokumenty na prípadné ďalšie použitie alebo pre iných majiteľov spotrebiča. Tento výrobok je určený výlučne na použitie v domácnosti alebo v podobnom prostredí, ako sú napríklad:

- kuchynské priestory pre personál v obchodoch, kanceláriách a na iných pracoviskách;
- na farmách, u klientov hotelov, motelov a iných ubytovacích zariadení;
- v ubytovniach typu bed and breakfast (B&B);
- v stravovacích službách, a na podobné použitie, ktoré nie je určené na maloobchodný predaj.

Tento spotrebič sa smie používať len na uchovávanie potravín, akékoľvek iné použitie sa považuje za nebezpečné a výrobca nebude zodpovedný za žiadne nevhodné použitie spotrebiča. Odporúčame vám tiež, aby ste si prečítali záručné podmienky.

BEZPEČNOSTNÉ INFORMÁCIE

Pozorne si prečítajte prevádzkové a inštalačné pokyny!

Obsahujú dôležité informácie o inštalácii, použití a údržbe spotrebiča.

Výrobca nenesie zodpovednosť za nedodržanie pokynov a výstrah z vašej strany.

Uschovajte všetky dokumenty na prípadné následné použitie alebo pre ďalšieho majiteľa spotrebiča.

- **Nepripájajte spotrebič ku zdroju napájania elektrickým prúdom, kým neodstránite všetky obaly a prepravné chrániče. Deti by sa mali zdržiavať mimo obalov a ich častí.**

Hrozí im nebezpečenstvo udusenía zloženými kartónmi a plastovou fóliou!

- **Spotrebič nechajte pred spustením aspoň 4 hodiny stáť, aby sa olej v kompresore ustálil, ak sa spotrebič prevážal vo vodorovnej polohe.**
- **Uistite sa, či pri prevoze nedošlo k poškodeniu.**
- **Nepoškodzujte chladiaci okruh.**

- Dbajte na to, aby vetracie otvory v plášti prístroja alebo v zabudovanej štruktúre neblokovali žiadne prekážky.
- Časť s kompresorom nikdy neumývajte vodou, po vyčistení ju dôkladne utrite suchou handričkou, aby ste predišli tvorbe hrdze.
- So spotrebičom vždy musia manipulovať aspoň dve osoby, keďže je ťažký.
- Spotrebič nainštalujte a vyrovnajte na mieste vhodnom z hľadiska veľkosti a používania prístroja.
- Dbajte na to, aby informácie o elektrickom prúde na výkonnostnom štítku súhlasili s parametrami zdroja napájania elektrinou. V opačnom prípade sa obráťte na elektrikára.
- Prístroj sa prevádzkuje s prúdom s napätím 220 – 240 V AC/50 Hz. Abnormálne výkyvy napätia môžu spôsobiť, že sa spotrebič nespustí, poškodiť reguláciu teploty alebo kompresor, príp. spôsobiť neobvyklý hluk počas prevádzky. V takom prípade sa musí namontovať automatický regulátor.
- Len pre Spojené kráľovstvo: Napájací kábel spotrebiča je vybavený 3-káblovou (uzemňovacou) zástrčkou, ktorá sa hodí do štandardnej 3-káblovej (uzemnenej) zásuvky. Nikdy neodstraňujte ani neodmontovávajte tretí kolík (uzemňovací). Po inštalácii spotrebiča by zástrčka mala zostať prístupná.
- Skontrolujte, či kábel napájania nezachytil pod spotrebičom v priebehu jeho prenášania/presúvania a po ňom, aby nedošlo k prerezaniu alebo poškodeniu kábla. Ak je napájací kábel poškodený, musí ho vymeniť výrobca, jeho servisný zástupca alebo podobne kvalifikovaná osoba, aby sa predišlo nebezpečenstvu.

- **Neinštalujte spotrebič na vlhkých, mastných alebo prašných miestach, nevystavujte ho priamemu slnečnému žiareniu ani vode.**
- **Neinštalujte spotrebič v blízkosti ohrievačov alebo horľavých materiálov.**
- **PRE spotrebiče s mraziacou časťou: ak došlo k výpadku napájania, neotvárajte dvere spotrebiča. Ak bude výpadok trvať kratšie, než je počet hodín uvedených na výkonnostnom štítku (čas zvýšenia teploty), nemá by nepriaznivo ovplyvniť zmrazené potraviny v spotrebiči. Ak výpadok potrvá dlhšie, potraviny je potrebné skontrolovať a ihneď skonzumovať alebo tepelne upraviť a následne znova zamraziť.**
- **Ak zistíte, že sa dvere spotrebiča bezprostredne po zatvorení len ťažko otvárajú, nemusíte sa obávať. Dôvodom je rozdiel tlaku, ktorý sa vyrovná a umožní normálne otvorenie dverí po niekoľkých minútach.**
- **V spotrebiči neskladujte lieky, bakteriálne látky ani chemické činidlá. Tento prístroj je spotrebič určený pre domácnosti, neodporúča sa na skladovanie materiálov, ktoré si vyžadujú presné teploty.**
- **Neťahajte nadmerne za napájaciu šnúru, ani ju neskladajte; nedotýkajte sa zástrčky mokkými rukami.**
- **Neuchovávajte v spotrebiči výrobky, ktoré obsahujú horľavú hnciu látku (napr. spreje v plechovkách) alebo výbušné látky. Hrozí riziko výbuchu!**

- Nestavajte na chladničku nestabilné predmety (ťažké predmety, prepravky naplnené vodou), aby nedošlo k osobnému zraneniu spôsobenému pádom alebo zásahom elektrického prúdu z dôvodu kontaktu s vodou.
- V priečinkoch určených na uchovávanie potravín nepoužívajte elektrické spotrebiče, okrem prípadov, keď ide o spotrebiče odporúčané výrobcom.
- Nedotýkajte sa vnútorných chladiacich prvkov, najmä nie mokrými rukami, aby nedošlo k prasknutiu alebo zraneniam.
- Riziko tu hrozí deťom, osobám s obmedzenými fyzickými, duševnými alebo zmyslovými schopnosťami, ako aj osobám, ktoré nedisponujú dostatočnými znalosťami o bezpečnej prevádzke spotrebiča.
- Overte si, či deti a zraniteľné osoby chápu, aké im hrozí nebezpečenstvo. Na deti a zraniteľné osoby, ktoré používajú spotrebič, musí dohliadať osoba zodpovedná za ich bezpečnosť. Spotrebič smú používať len deti staršie ako 8 rokov.
- Deti sa so spotrebičom nesmú hrať.
- Deti vo veku 3 až 8 rokov smú vkladať potraviny do spotrebiča alebo vyberať ich z neho.

- **PRE spotrebiče s mraziacou časťou: v mraziacej časti neskladujte kvapaliny vo fľašiach alebo plechovkách (najmä nie sýtené nápoje). Fľaše a plechovky môžu prasknúť!**
- **PRE spotrebiče s mraziacou časťou: nikdy nedávajte zmrazené potraviny priamo z mrazničky do úst. Hrozí riziko omrzlín!**
- **Dbajte na to, aby plastové časti a tesnenie dverí neboli zamastené olejom či tukom. V opačnom prípade sa ich štruktúra zmení na pórovitú.**
- **Pred akýmkoľvek úkonom vykonávaným na spotrebiči odpojte elektrickú šnúru zo zásuvky.**
- **Nepoužívajte mechanické zariadenia ani iné prostriedky na rýchlejšie odmrazenie, ako tie, ktoré odporúča výrobca.**
- **Na odstránenie námrazy nepoužívajte zahrotené ani ostré predmety, ako sú nože alebo vidličky.**
- **Pri odmrazovaní spotrebiča nepoužívajte sušiče vlasov, elektrické ohrievače ani iné podobné elektrické prístroje.**
- **Odporúča sa udržiavať zástrčku v čistote. Nadmerná vrstva prachu na zástrčke môže spôsobiť požiar.**
- **Nesnažte sa opraviť, rozmontovať alebo upraviť spotrebič vlastnými silami. V prípade, že je potrebná oprava, vždy sa obráťte na náš zákaznícky servis.**
- **Pri čistení alebo údržbe spotrebiča dávajte pozor na deti, ktoré sa zdržujú v jeho blízkosti.**

- Nečistite studené sklenené police horúcou vodou. Prudká zmena teploty môže spôsobiť prasknutie skla.
- **VÝSTRAHA:** V trubiciach chladiaceho okruhu sa nachádza malé množstvo chladiva (R600a), ktoré síce nepoškodzuje životné prostredie, ale je horľavé, ako aj izolačný plyn (cyklopentán). Nepoškodzuje ozónovú vrstvu a nezvyšuje účinok skleníkových plynov. Chladivo, ktoré unikne z chladiaceho okruhu, môže poškodiť oči alebo sa vznietiť.
- V prípade podozrenia na poškodenie chladiaceho okruhu:
 - Vypnite spotrebič a vyťahnite zástrčku zo sieťovej zásuvky.
 - V blízkosti spotrebiča nepoužívajte otvorený oheň ani zdroje vznietenia.
 - Niekoľko minút dôkladne vetrajte miestnosť.
 - Informujte zákaznícky servis.
- **VÝSTRAHA:** Nepoškodzuje zástrčku ani napájaciu šnúru, mohlo by to viesť k zásahu elektrickým prúdom alebo vzniku požiaru.
- **VÝSTRAHA:** Nepoužívajte viacnásobné prenosné zásuvky ani prenosné zdroje napájania. Neodporúčame použitie predlžovacích káblov a viacsmerných adaptérov.
- Nesadajte si ani nestúpajte na spotrebič. Mohli by ste sa zraniť alebo poškodiť spotrebič. Spotrebič je určený na kombinovanie s inými prístrojmi vo „veži“.

- Výrobok je konštruovaný a zostavený len na použitie v domácnosti.
- Používajte len originálne súčasti dodané výrobcom. Výrobca zaručuje, že len tieto súčasti spĺňajú bezpečnostné požiadavky.
- Ak sa dvere nechajú dlhodobo otvorené, podstatne sa zvýši teplota v jednotlivých častiach spotrebiča.
 - Povrchy, ktoré prichádzajú do styku s potravinami a dostupné odtokové systémy treba pravidelne čistiť.
 - Ak ste nádrže na vodu nepoužívali dlhšie ako 48 hodín, vyčistite ich. Ak ste nepúšťali vodu z vodovodného potrubia dlhšie ako 5 dní, prepláchnite vodný systém pripojený k potrubiu.
 - Surové mäso a ryby uchovávajte v chladničke vo vhodných nádobách, aby sa nedostali do kontaktu s inými potravinami alebo z nich neodkvapkávala tekutina.
 - Priečinky na mrazené potraviny označené dvomi hviezdčkami (ak sú súčasťou spotrebiča) sú vhodné na uchovávanie vopred zmrazených potravín, uchovávanie alebo prípravu zmrzliny a výrobu ľadových kociek.
 - Priečinky označené jednou, dvomi a tromi hviezdčkami (ak sú súčasťou spotrebiča) nie sú vhodné na zmrazenie čerstvých potravín.
 - Ak bude spotrebič dlhodobo prázdny, vypnite ho, odmrazte, vyčistite, vysušte a nechajte na ňom otvorené dvere, aby sa vnútri nezačala tvoriť plesen.

- **PRE zariadenia na chladenie vína: Tento spotrebič je určený výlučne na uchovávanie vína.**
- **PRE samostatne stojaci spotrebič: Chladnička nie je určená na použitie ako zabudovaný spotrebič.**
- **PRE spotrebiče bez priečinka označeného 4 hviezdčkami: Táto chladnička nie je vhodná na zmrazovanie potravín.**

Likvidácia starých spotrebičov



Tento spotrebič je označený v súlade s európskou smernicou 2012/19/EÚ o odpade z elektrických a elektronických zariadení (OEEZ).

Odpad z elektrických a elektronických zariadení (OEEZ) obsahuje znečisťujúce látky (ktoré môžu negatívne ovplyvniť životné prostredie) a základné komponenty (ktoré je možné opätovne využiť). Je dôležité nakladať s OEEZ osobitným spôsobom, aby sa správne odstránili a zlikvidovali všetky znečisťujúce látky a obnovili a recyklovali všetky materiály.

Každý môže prispieť k tomu, aby OEEZ neohrozil životné prostredie. Treba preto dodržať niekoľko základných pravidiel:

- S OEEZ by sa nemalo zaobchádzať ako s bežným domovým odpadom.
- OEEZ sa musí odviezť na príslušné zberné miesto zriadené obecnou správou alebo registrovanou spoločnosťou. V mnohých krajinách funguje domáci odber objemného OEEZ.

V mnohých krajinách platí, že ak si kúpite nový spotrebič, starý môžete vrátiť malopredajcovi, ktorý ho musí bezplatne odviezť výmenou za nový zakúpený spotrebič, pokiaľ ide o prístroj ekvivalentného typu a má rovnaké funkcie ako novo dodané zariadenie.

Zhoda



Umiestnením značky **CE** na tento výrobok potvrdzujeme zhodu so všetkými relevantnými európskymi požiadavkami na bezpečnosť, zdravie a ochranu životného prostredia, ktoré platia v rámci právnych predpisov vzťahujúcich sa na tento výrobok.

Záruka

Minimálna záruka je: 2 roky pre krajiny EÚ, 3 roky pre Turecko, 1 rok pre UK, 1 rok pre Rusko, 3 roky pre Švédsko, 2 roky pre Srbsko, 5 rokov pre Nórsko, 1 rok pre Maroko, 6 mesiacov pre Alžírsko, v Tunisku sa zo zákona nevyžaduje žiadna záruka.

Úspora energie

Na dosiahnutie väčších úspor energie odporúčame:

- Umiestniť spotrebič mimo zdrojov tepla, v dobre vetranej miestnosti a nevystavovať ho priamemu slnečnému žiareniu.
- Nevkladať do chladničky horúce potraviny, aby sa nezvyšovala vnútorná teplota a v dôsledku toho neustále nebežal kompresor.
- Neprepíňať chladničku, aby v nej mohol správne cirkulovať vzduch.
- V prípade výskytu námrazy spotrebič odmraziť, aby sa uľahčil prenos chladu.
- V prípade výpadku elektrického prúdu sa odporúča nechať zatvorené dvere chladničky.
- Dvere otvárajte a nechávajte otvorené čo najkratšie.
- Nenastavujte príliš nízke teploty chladenia.
- Odstraňujte prach, ktorý sa usádza v zadnej časti spotrebiča.

Ďalšie informácie o výrobku nájdete na <https://eprel.ec.europa.eu/> alebo si naskenujte QR kód na energetickom štítku dodanom so spotrebičom.

Pred prvým použitím

Pred zapnutím napájania musíte chladničku aspoň 4 hodiny nechať stáť, aby sa usadila.

Odporúčame vyčistiť interiér spotrebiča pred prvým použitím pomocou roztoku jedlej sódy v teplej vode a potom ho dôkladne vysušiť.

Pri prvom použití mrazničky sa môže objaviť zápach. Zápach sa stratí, keď sa spotrebič ochladí.

Upozornenie:

Spotrebič sa spustí s nastavením 3 a bude spustený nepretržite, kým nedosiahne správnu teplotu.

Ak spotrebič vypnete, počkajte 5 minút a až potom ho znova zapnite, aby sa kompresor zbytočne nepoškodil.

V spotrebiči nikdy neuchovávajte horľavé alebo výbušné látky a silne korozívne kyseliny či zásady.

Mrazička chladí potraviny tak, že ochladzuje vnútornú stenu zadnej časti vnútorného priestoru. Na tejto stene sa bežne tvorí námraza, ktorá sa následne rozpustí a odtečie cez malý odtokový otvor na dne, kde sa neškodne odparí. Prítomnosť námrazy na zadnej stene nepredstavuje poruchu mrazničky.

Používanie mrazničky

- Mraziace časti sú určené len na uchovávanie zmrazených potravín.
- Do mrazničky nikdy nekladajte horúce alebo teplé potraviny. Pred vložením do mrazničky ich nechajte úplne vychladnúť.

- Pri uchovávaní zmrazených potravín dodržiavajte pokyny na obale. Ak obal neobsahuje žiadne informácie, potraviny by sa nemali uchovávať dlhšie ako tri mesiace od dátumu nákupu.
- Potraviny uchovávajúte v malých vreckách (ideálne menších než 2,5 kg). Vďaka tomu sa skrátí čas mrazenia a zlepši kvalita potravín po rozmrazení.
- Potraviny pred vložením do mrazničky zabalte. Dbajte na to, aby obaly boli suché, v opačnom prípade by sa zlepili.
- Potraviny pred zmrazením označte a na etikete uveďte, o aké potraviny ide, dátum ich zmrazenia a dátum trvanlivosti.
- Rozmrazené potraviny sa nesmú znova zmrazovať, pokiaľ neboli pred tým dôkladne tepelne upravené. Rozmrazte len toľko potravín, koľko spotrebujete, aby ste nimi zbytočne nemrhali.
- V mraziacej časti chladničky sa nesmú uchovávať nápoje vo fľašiach a plechovkách, mohli by totiž explodovať.
- Overte si na výkonnostnom štítku maximálne množstvo čerstvých potravín, ktoré je možné zmraziť za obdobie 24 hodín.

Nezmrazujte väčšie než stanovené maximálne množstvo potravín.

Uchovávanie potravín

Mrazička je určená na krátkodobé až strednodobé uchovávanie potravín. Umožňuje síce udržanie nízkej teploty, neodporúča sa však na dlhodobé skladovanie potravín.

Studený vzduch cirkuluje vo vnútornom priestore mrazničky a teplota v rôznych častiach sa môže líšiť. To znamená, že potraviny treba ukladať do rôznych častí podľa druhu a dĺžky ich uchovávania. Dolné oddiely sú najstaršie časti mrazničky.

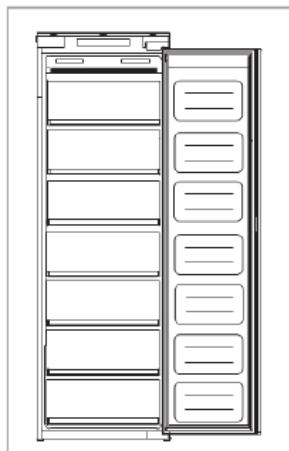
Dva horné oddiely majú klopky, ktoré sa dajú nadvihnúť a držia otvorené, čo umožňuje jednoduché vkladanie a vyberanie. Zvyšných 5 oddielov tvoria zásuvky.

Šieste nastavenie ovládacieho panela, znázornené snehovou vločkou (obr. 2) je funkcia super zmrazenia. Mala by sa použiť vtedy, keď treba súčasne zmraziť veľké množstvo potravín. Túto funkciu aktivujte 2 až 3 hodiny pred vložením potravín a nenechávajte ju aktivovanú dlhšie, než je to nutné.

Dlhodobé spustenie tejto funkcie zbytočne zaťažuje chladiaci systém. Funkcia sa automaticky vypne približne po 24 hodinách.

Usporiadanie, pri ktorom sa usporí najviac energie, si vyžaduje umiestnenie zásuviek, boxov na potraviny a poličiek vo výrobku, pozrite vyššie uvedené obrázky.

- Odporúča sa nastaviť teplotu v mraziacej časti na -18 °C.
- Pri zmrazených potravinách si overte obdobie uchovávania uvedené na obale. Obdobie uchovávania je platné pod podmienkou dodržania referenčnej teploty oddielu (jedna hviezdička -6 °C, dve hviezdičky -12 °C, tri hviezdičky -18 °C)



Obr. 2

Ovládací panel



A. Snímač nastavenia teploty v mrazničke

Toto tlačidlo sa používa na nastavenie teploty v mrazničke. Stlačte snímač na aktiváciu nastavenia a potom ho opakovane stláčajte podľa potreby, kým nevyberiete požadovanú úroveň. Rozpätie nastavenia je od 1 do 6, pričom 1 je najteplejšie nastavenie a super zmrazenie je najchladnejšie.

Upozornenie: Ak je to možné, vyhnite sa neprerušiteľnému nastaveniu teploty stupňa 5 alebo super zmrazenie (snehová vločka). Pomôže to znížiť záťaž kompresora a systému.

B. Displej nastavenia teploty mrazničky

Tento displej osvetlí aktuálne nastavenie teploty. Nastavenie teploty beží na displeji.

Upozornenie: Pri zmene teploty nepoužívajte číslice 1 až 5 ani snehová vločka. Namiesto toho použite snímač nastavenia teploty v mrazničke (A).

C. Tlačidlo napájania

Stlačte snímač jeden raz na prebudenie funkcie a potom ho stlačte na 3 sekundy na zapnutie alebo vypnutie spotrebiča.

Poloha	Podmienky
1 – 2	Leto alebo okolitá teplota v rozpätí 25 – 35 °C
3 – 4	Jar, jeseň alebo okolitá teplota v rozpätí 15 – 25 °C
5	Zima alebo okolitá teplota v rozpätí 5 – 15 °C
Super mrazenie	Rýchle zmrazenie

Spotrebič má funkciu pamäte vypnutia alebo výpadku napájania.

Starostlivosť a čistenie

Pred akýmkoľvek čistením alebo údržbou odpojte spotrebič od elektrickej siete.

Oddiely so zásuvkami čistite roztokom jedlej sódy vo vlažnej vode. Nepoužívajte abrazívne výrobky ani saponáty. Umyté časti dôkladne opláchnite a vysušte.

Priečinky vyčistite zvlášť ručne slabým roztokom kvapalného čistiaceho prostriedku vo vode. Nepoužívajte abrazívne čistiace prostriedky ani saponáty.

Ak sa spotrebič nebude dlhší čas používať, odpojte ho od napájania a vyčistite. Dvere spotrebiča nechajte pootvorené, aby sa vnútri netvorila pleseň a nepríjemný zápach.

Odmrazovanie chladničky

Mraznička má systém proti tvorbe námrazy, ktorý bráni vytvoreniu silnej vrstvy ľadu. V bežných prevádzkových podmienkach sa systém mrazničky nemusí pravidelne odmrázovať.

Upozornenie: Ak v mraziacej časti pravidelne nachádzate hrubú vrstvu ľadu alebo kaluže, dôvod pravdepodobne spočíva v nedostatočnom tesnení dverí. Príčinou môže byť poškodené alebo nesprávne nasadené tesnenie na dverách alebo príliš ťažké ozdobné dvere. Viac informácií nájdete v časti **Odstraňovanie problémov týkajúcej sa ľadu**.

Upozornenie: Ak v mraziacej časti pravidelne nachádzate kaluže či vrstvy námrazy alebo ak si všimnete, že kompresor neustále beží, pravdepodobne dvere dostatočne netesnia. Príčinou môže byť poškodené alebo nesprávne nasadené tesnenie na dverách alebo príliš ťažké ozdobné dvere. Viac informácií nájdete v časti **Odstraňovanie problémov** na strane 12.

Dostupnosť náhradných súčastí

- Termostaty, teplotné snímače, dosky s plošnými spojmi a zdroje osvetlenia sú k dispozícii minimálne sedem rokov od uvedenia posledného spotrebiča daného modelu na trh.
- Rukoväte na dverách, závesy dverí, podnosy a koše sú k dispozícii minimálne sedem rokov a ploché tesnenie dverí minimálne 10 rokov od uvedenia posledného spotrebiča daného modelu na trh.

Odstraňovanie problémov

Ak sa vyskytnú problémy súvisiace so spotrebičom, najskôr nahliadnite do návodu na odstraňovanie problémov a až potom sa telefonicky obráťte na oddelenie starostlivosti o zákazníkov spoločnosti Montpellier.

Ak spotrebič nefunguje, skontrolujte, či:

- je spotrebič napájaný elektrickým prúdom;
- nie sú porušené domové poistky a či nedošlo k spáleniu poistky v zástrčke;
- mraznička nie je vypnutá;
- je funkčná elektrická zásuvka. Na kontrolu funkčnosti zásuvky zapojte do danej zásuvky iný elektrospotrebič.

Ak spotrebič funguje, ale nie úplne optimálne, skontrolujte, či:

- spotrebič nie je preťažený;
- je termostat nastavený na vhodnú teplotu;
- sú dvere riadne zatvorené;
- je chladiaci systém v zadnej časti spotrebiča čistý, nie je zaprášený a nedotýka sa zadnej steny;
- po bokoch spotrebiča a za jeho zadnou časťou je dostatočné vetranie;
- Dôvod môže spočívať v nesprávnej montáži ozdobných dverí, pre ktorú sa dvere mrazničky správne nezatvárajú a umožňujú prenikanie teplého vzduchu do spotrebiča. Ak si nie ste istí, požiadajte technika o kontrolu montáže ozdobných dverí.

Ak je spotrebič hlučný, skontrolujte, či:

- je spotrebič vyvážený a stabilný;
- bočné steny a zadná stena sú čisté a na spotrebiči nič neleží.
- Poznámka: Chladiaci plyn v systéme môže trochu bublať alebo klokotať, dokonca aj keď nebeží kompresor.

Ak spotrebič pípa, skontrolujte, či:

- sú dvere sú zatvorené.

Ak sa na dne mrazničky nachádza voda, skontrolujte:

- Skontrolujte, či dvere chladničky pri otvorení kladú nejaký odpor. Ak sa otvoria na najmenší dotyk, môže to znamenať, že je potrebné vymeniť tesnenie na dverách.

- Skontrolujte, či tesnenie na dverách nie je ohnuté, znečistené alebo poškodené. Ak si všimnete, že tesnenie je ohnuté, znečistené alebo poškodené a nedokázate tento problém vyriešiť vlastnými silami, obráťte sa na oddelenie starostlivosti o zákazníkov a požiadajte o výmenu tesnenia.
- Príčinou môžu byť nesprávne nasadené ozdobné dvere. Ak si nie ste istí, požiadajte technika o kontrolu ozdobných dverí.

Ak sa v mrazničke vytvorila nadmerne veľká vrstva námrazy:

- Vytvorenie určitého množstva ľadu v mrazničke je normálne. Nesignalizuje to poruchu prístroja.
- Skontrolujte, či dvere chladničky pri otváraní kladú nejaký odpor. Ak sa otvoria na najmenší dotyk, môže to znamenať, že je potrebné vymeniť tesnenie na dverách.
- Skontrolujte, či tesnenie na dverách nie je ohnuté, znečistené alebo poškodené. Ak si všimnete, že tesnenie je ohnuté, znečistené alebo poškodené a nedokázate tento problém vyriešiť vlastnými silami, obráťte sa na oddelenie starostlivosti o zákazníkov a požiadajte o výmenu tesnenia.
- Príčinou môžu byť nesprávne nasadené ozdobné dvere. Ak si nie ste istí, požiadajte technika o kontrolu ozdobných dverí.

Technická pomoc

Ak chcete kontaktovať technickú pomoc, navštívte našu webovú lokalitu: <https://corporate.haier-europe.com/en/>
 V časti „Webová lokalita“ vyberte značku svojho výrobku a príslušnú krajinu. Budete presmerovaní na konkrétnu webovú lokalitu, na ktorej nájdete telefónne číslo a kontaktný formulár technickej pomoci.

Inštalácia

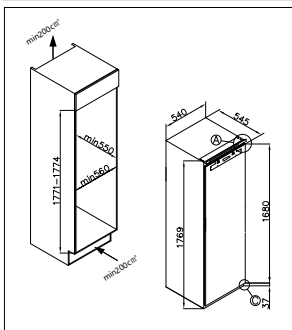
Spotrebič sa nikdy nesmie inštalovať v blízkosti zdrojov tepla, napr. ohrievačov alebo sporákov, ani na vlhkých miestach.

Pri inštalácii spotrebiča požiadajte o pomoc jednu či dve ďalšie osoby. Spotrebič môže mať ostré hrany. Použite osobné ochranné prostriedky primerané konkrétnej úlohe a prostrediu.

- Na vyrovnanie spotrebiča by ste mali použiť nožičky s nastaviteľnou výškou v prednej časti spotrebiča.
- Chladiaci systém v zadnej časti spotrebiča sa nesmie dotýkať zadnej steny. Čím je medzera väčšia, tým lepšie.
- Spotrebič musí byť nainštalovaný tak, aby bolo zabezpečené primerané vetranie. Dbajte na to, aby nad spotrebičom bol voľný priestor, v ktorom môže unikať vzduch a aby zostala medzera medzi zadnou stranou spotrebiča a stenou miestnosti.

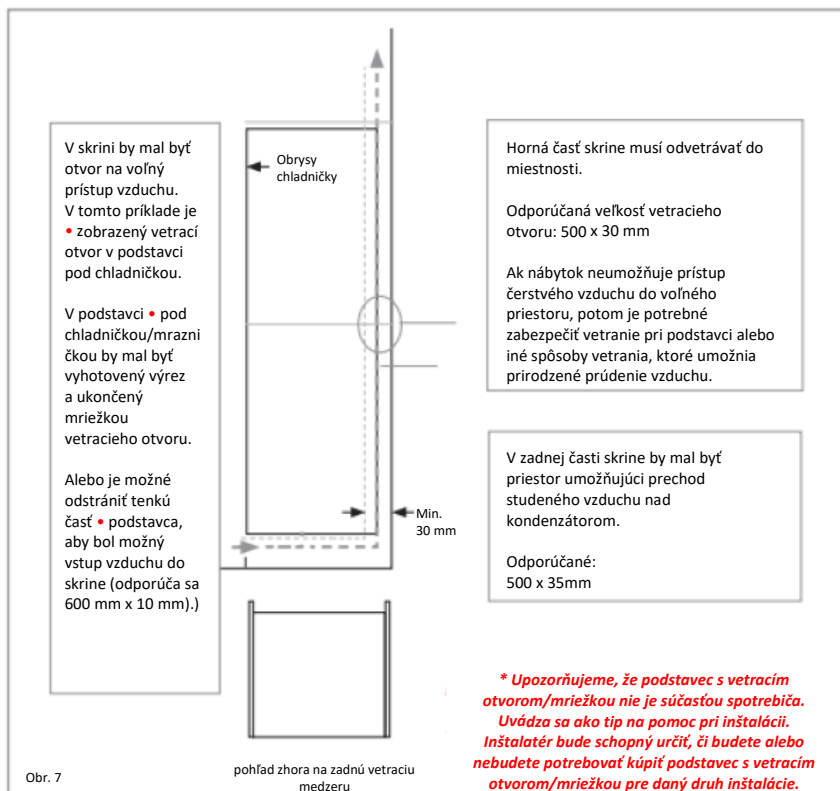
Umiestnite spotrebič na také miesto, na ktorom teplota prostredia zodpovedá klimatickej triede uvedenej na výkonnostnom štítku spotrebiča

- Rozšírená mierna klíma (SN): „Tento chladiaci spotrebič je určený na použitie pri teplotách okolia v rozpätí 10 °C – 32 °C.“
- Mierna klíma (N): „Tento chladiaci spotrebič je určený na použitie pri teplotách okolia v rozpätí 16 °C – 32 °C.“
- Subtropická klíma (ST): „Tento chladiaci spotrebič je určený na použitie pri teplotách okolia v rozpätí 16 °C – 38 °C.“
- Tropická klíma (T): „Tento chladiaci spotrebič je určený na použitie pri teplotách okolia v rozpätí 16 °C – 43 °C.“



Vetranie

Najdôležitejšou otázkou pri inštalácii akejkoľvek chladničky do kuchyne na mieru je vetranie. Teplo odoberané z chladiaceho priestoru chladničky sa musí rozptýliť do ovzdušia. Nesprávne vetranie môže viesť k predčasnej poruche kompresora, nadmernej spotrebe elektriny a poruche celého systému a následne k zneplatneniu záruky poskytovanej na spotrebič. Pri inštalácii výrobkov do vysokej skrine treba splniť tieto požiadavky:



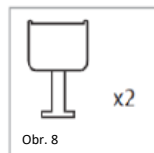
Zreteľne je znázornený otvorený kanál v zadnej časti. V záujme správneho fungovania spotrebiča je dôležité, aby nebola zablokovaná vrchná časť skrine. Vo väčšine skriniek je normálna hĺbka kanála 40 – 50 mm.

V podstavci skrine musí byť vytvorený vetrací otvor, ktorý umožňujúce prúdenie vzduchu nad kompresorom a výmenníkom tepla. Požadovaný prietok vzduchu je možné dosiahnuť odstránením tenkej časti podstavca (odporúča sa minimálne 600 mm x 10 mm).

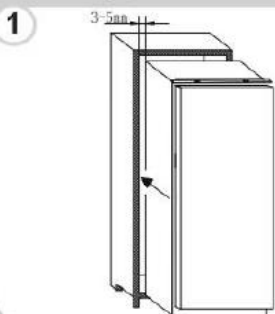
Platí, že čím viac vzduchu prenikne dovnútra a von, tým bude lepšia a účinnejšia prevádzka výrobku.

Inštalácia do skrine

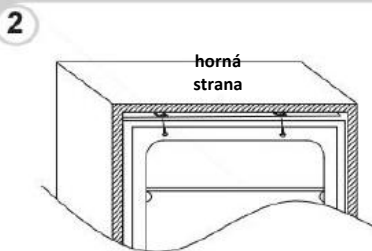
Pomocou ďalšej osoby alebo dvoch osôb zasuňte spotrebič do skrine. V základni spotrebiča sú dve kovové platne. Podľa obr. 9 umiestnite do týchto platní dve biele dištančné podložky (obr. 8).



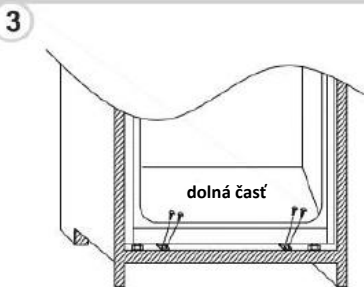
Zasuňte spotrebič do „veže“ a postavte ho na opačnú stranu, než sú závesy. Nezabudnite na medzeru 3 – 5 mm.



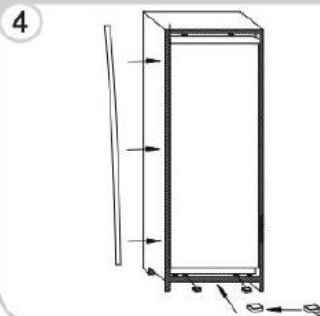
Skontrolujte, či dvere spotrebiča zodpovedajú dverám veže a pripevnite plastové kryty z vrečka s príslušenstvom.



Priskrutkujte dolnú časť spotrebiča.



Pripevnite k spotrebiču tesnenie a nadbytočnú časť podľa potreby odrežte. Upevnite dolné časti s plastovými krytmi.

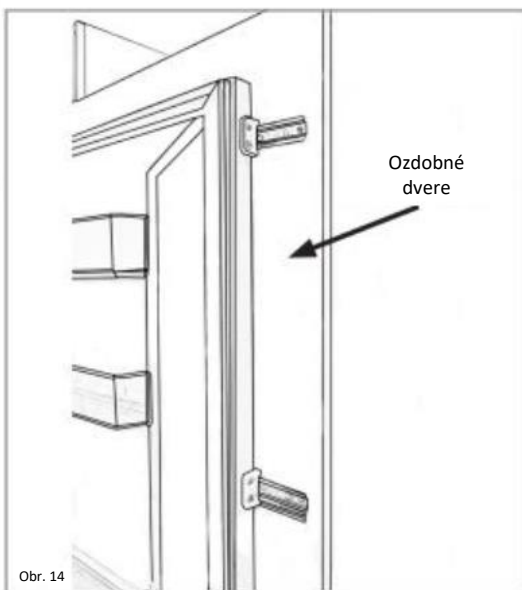
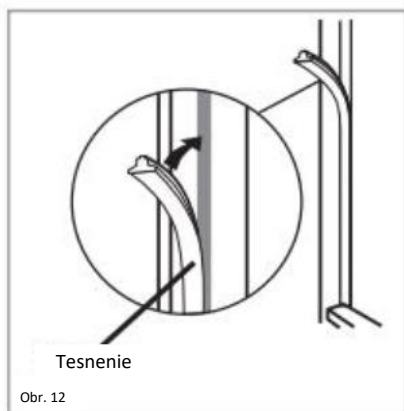
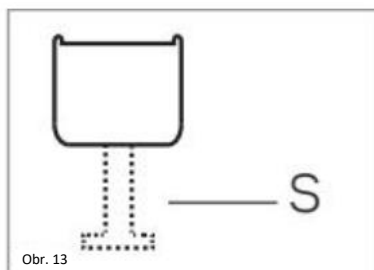
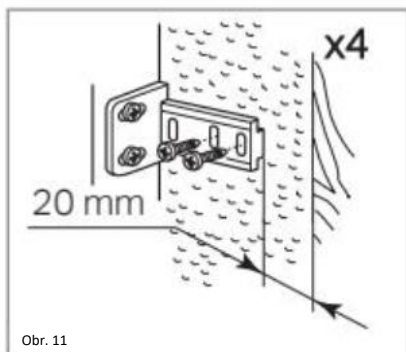


Skontrolujte, či sú okraje dištančných podložiek vyrovnané s okrajom základne skrine.

Montáž vonkajších krycích dverí

- Skontrolujte, či je medzi stranou bez závesov a stenou skrine medzera 3 až 4 mm.
- Umiestnite posuvnú časť do svorky a pripevnite posuvnú časť k vonkajším krycím dverám vo vzdialenosti 20 – 22 mm od okraja vonkajších krycích dverí (podľa obrázka 11). Dbajte pritom na to, aby posuvná časť bola umiestnená v strede a vodorovne vo svorke. Pevne utiahnite rukou.
- Vyplňte medzeru na strane bez závesov dodaným pruhom tesnenia, pozri obr. 12.
- Posuvné časti dverí by mali na záver vyzerať tak, ako sú znázornené na obr. 14, na ktorom sú umiestnené 2 posuvné časti.
- **Skontrolujte, či sa dvere spotrebiča správne otvárajú, zatvárajú a tesnia.**

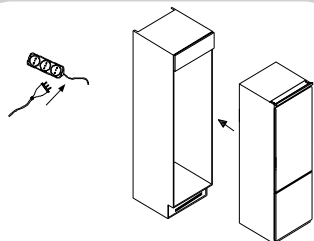
Keď montáž dokončíte a ste spokojní s umiestnením spotrebiča v skrine, ohnite a zaklapnite časti bielych dištančných prvkov označených „S“, ako je znázornené prerušovanou čiarou na nákrese na obr. 13. Zvyšok krytu dištančného prvku nechajte na mieste nad kovovými platňami.



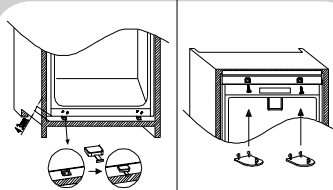
Dôležité: Po dokončení inštalácie skontrolujte, či je spotrebič v skrine pevne usadený a či sa dvere správne otvárajú a zatvárajú. AK tesnenie dverí nekladie pri otváraní odpor, pravdepodobne nie sú dvere spotrebiča/ozdobné dvere namontované správne.

Návod na montáž produktov s pevnými pántmi.

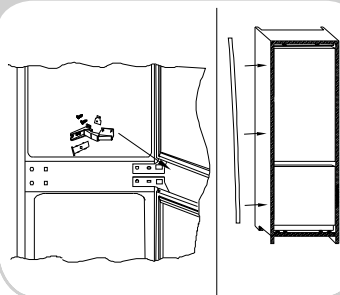
1



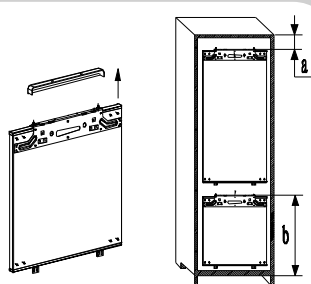
2



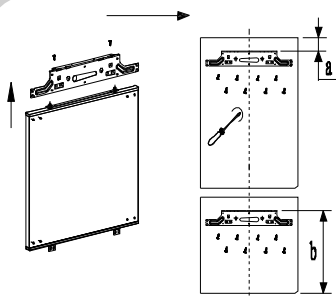
3



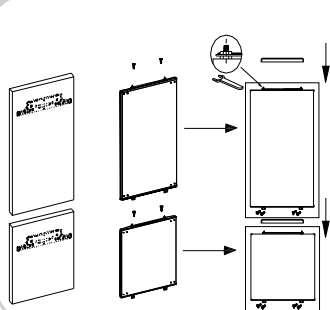
4



5



6

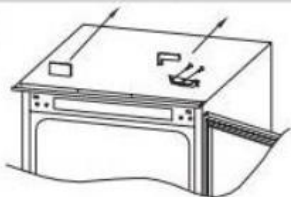


Montáž dverí spotrebiča na opačnú stranu

Odporúčame vám, aby ste požiadali o pomoc inú osobu, ktorá vám pri tejto operácii podrží dvere. Pri každej práci používajte osobné ochranné prostriedky (OOP). Pripravte si povrch s mäkkým a čistým uterákom alebo podobnou tkaninou, na ktorý môžete položiť dvere.

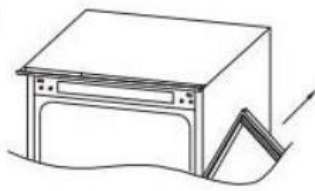
Skrutkovačom odmontujte kryt pravého horného závesu a záves.

1



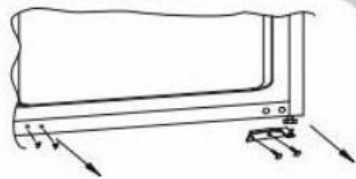
Odmontujte dvere.

2



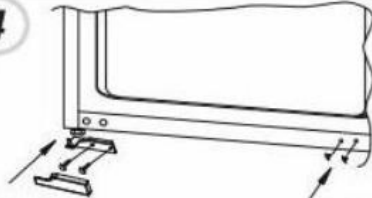
Odmontujte pravý dolný záves a ľavé plastové zátky a namontujte ich na opačnú stranu.

3



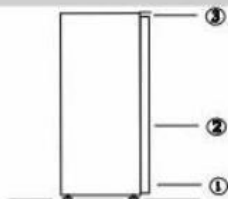
Primontujte pravý horný záves k ľavej dolnej časti a nasadte kryt.

4



Nasadte dvere na dolný záves a primontujte dolný záves k hornej časti a skontrolujte, či sú 1–2–3 veľmi blízko.

5



Skontrolujte, či dvere správne tesnia:

Stlačenie tesnenia po obrátení dverí je normálne. Nechajte dvere zatvorené a pomocou sušiča na vlasy rozšírite tesnenie a vyplňte medzeru medzi dverami a telom spotrebiča.

Dávajte pozor, aby ste nepoužívali sušič vlasov príliš blízko spotrebiča, keďže by mohlo dôjsť k poškodeniu tesnenia. Primeraná vzdialenosť je približne 10 cm.

Keď skončíte, nechajte tesnenie a dvere vychladnúť a až potom sa ich dotýkajte. Upravené tesnenie by malo držať na určenom mieste.