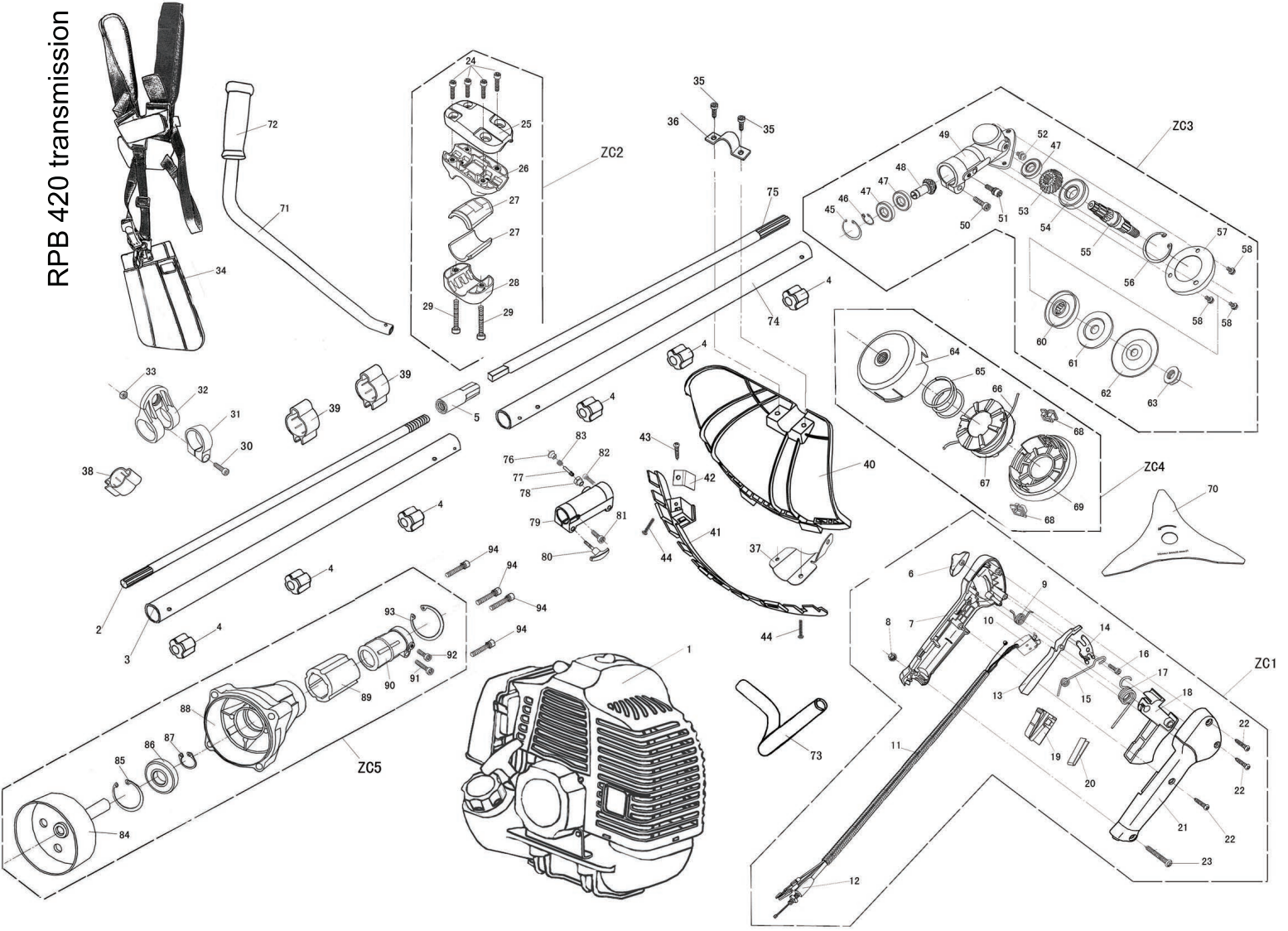


RPB 420 transmission



Spare parts list RPB 420 Transmission

| Pos no | Part reference | English description | Dosage |
|--------|-------------------|-----------------------------|--------|
| 1 | GC415.3B-42000 | Engine | 1 |
| 2 | GC305-42108 | Drive Shaftφ8×755 | 1 |
| 3 | GC305-45106A | Aluminous Pipeφ26×745 | 1 |
| 4 | GC415-45300 | Oil Bearingφ23.5×20 | 6 |
| 5 | GC415-42116 | Connection Shaft20CrMo | 1 |
| 6 | GC305.3A-47081 | Switch Plate | 1 |
| 7 | GC305.3A-47084 | Left Cover | 1 |
| 8 | YD2500-92001 | Nut Gb/T41-2000/M5 | 1 |
| 9 | GC305.3A-47086 | Spring | 1 |
| 10 | GC305.3A-47081A | Stop Wire Assy | 1 |
| 11 | GC305.3A-47096 | Pipe | 1 |
| 12 | GC305.3A-47082 | Wire Assy | 1 |
| 13 | GC305.3A-47088 | Lever Safty Trigger | 1 |
| 14 | GC305.3A-47084 | Switch Spring Plate | 1 |
| 15 | GC305.3A-47112 | Card Soring | 1 |
| 16 | GC305.3A-47113 | Screw | 1 |
| 17 | GC305.3A-47092 | Trigger Spring | 1 |
| 18 | GC305.3A-47091 | Trigger | 1 |
| 19 | GC305.3A-47114 | Support | 1 |
| 20 | GC305.3A-47115 | Spring Plate | 1 |
| 21 | GC305.3A-47094 | Right Cover | 1 |
| 22 | GC305-91327 | Screw /Gb/T845-1985 | 3 |
| 23 | GC305-90305 | Screw Gb/T818-1985 | 1 |
| 24 | GC305.1-90012 | Screw Gb/T70.1 | 4 |
| 25 | GC305.6-43016 | Up Plate | 1 |
| 26 | GC305.6-43017 | Middle Plate | 1 |
| 27 | GC305.6-43036 | Support | 2 |
| 28 | GC305.6-43018 | Down Plate | 1 |
| 29 | GC305.6-90017 | Screw Gb/T70.1/M6×35 | 2 |
| 30 | YD4500-90022 | Screw/M5×20 | 1 |
| 31 | GC305-46582 | Support | 1 |
| 32 | GC305-46581 | Pothook | 1 |
| 33 | YD2500-92001 | Nut Gb/T41-2000 | 1 |
| 34 | GC305.3B-46580 | Belts | 1 |
| 35 | GC415-48064 | Screw/M6X22 | 2 |
| 36 | GC260-48059A | Up Plate | 1 |
| 37 | GC305.3B-48052 | Down Plate | 1 |
| 38 | GC305.3A-48116A | Card Wire Clip | 1 |
| 39 | GC305.3-48118 | Card Wire Clip | 2 |
| 40 | GC305.3A-48054 | Protection Plate | 1 |
| 41 | GC305.3A-48060 | Plate | 1 |
| 42 | GC305.3A-48056.2A | Small Blade | 1 |
| 43 | GC305.3A-91337 | Screw Gb/T845-1986/ST4.8×14 | 1 |

Spare parts list RPB 420 Transmission

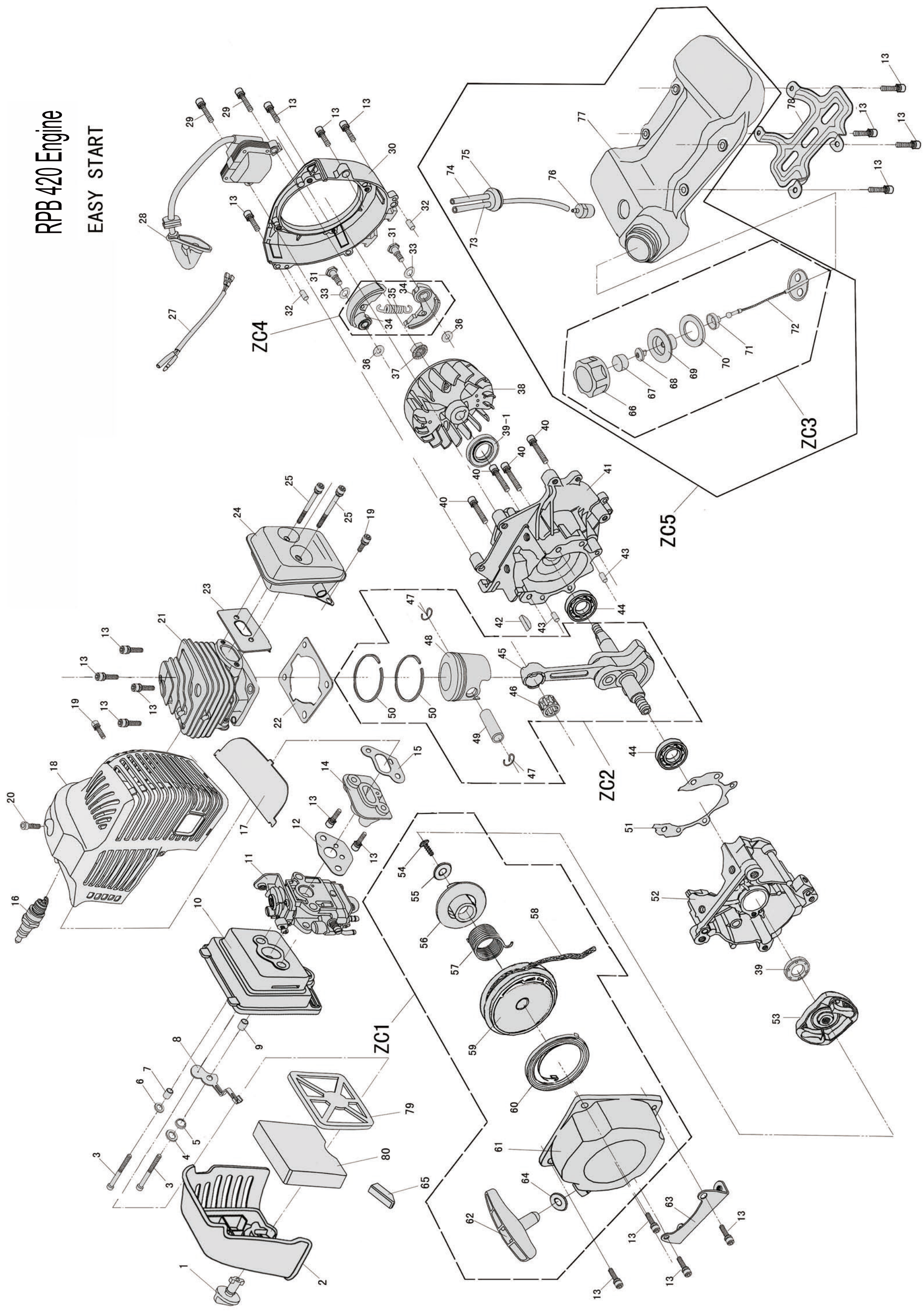
| Pos no | Part reference | English description | Dosage |
|--------|----------------|-------------------------------|--------|
| 44 | GC305.3A-48061 | Screw ST4.2x32 | 2 |
| 45 | GC305-93214 | Ring Snap Gb/T893.1-1986 | 1 |
| 46 | GC305-93216 | Ring Gb/T894.1-86 | 1 |
| 47 | GC305-96017 | Ball Bearing Gb/T276-1994 | 3 |
| 48 | GC305-48041 | Gear | 1 |
| 49 | GC305-48042 | Cover-Gear Box | 1 |
| 50 | GC305-90012 | Screw M6X25 | 1 |
| 51 | YD3800-90021 | Screw M5X10 Gb/T 70.1 | 1 |
| 52 | GC305-90308 | Screw Gb/T818-2000 | 1 |
| 53 | GC305-48043 | Gear | 1 |
| 54 | GC305-96018 | Ball Bearing Gb/T276-1994 | 1 |
| 55 | GC305-48044 | Gear Shaft | 1 |
| 56 | YD3800-93211 | Ring Snap Gb/T893.1-1986 | 1 |
| 57 | GC305-48045.2 | Protection Cover | 1 |
| 58 | GC305.1-97303 | Screw Gb/T9074.4-1988 | 3 |
| 60 | GC305-48046 | Up Plate | 1 |
| 61 | GC305-48047 | Down Plate | 1 |
| 62 | GC305-48048 | Plate | 1 |
| 63 | GC305.1-92105 | Nut Gb/T6183.1-2000 | 1 |
| 64 | GC305-48233 | Cover-Nylon Cutter | 1 |
| 65 | GC305-48235 | Spring | 1 |
| 66 | GC305-48185 | Nylon Line | 1 |
| 67 | GC305-48236 | Rope Shaft-Nylon Cutter | 1 |
| 68 | GC305-48237 | Protection Cover-Nylon Cutter | 2 |
| 69 | GC305-48238 | Support -Nylon Cutter | 1 |
| 70 | GC305-48200 | Blade | 1 |
| 71 | GC305.6-46063 | Left Handle | 1 |
| 72 | GC305.3A-43033 | Left Handle | 1 |
| 73 | GC305.6-46060 | Right Handle | 1 |
| 74 | GC305-45116 | Aluminous Pipe | 1 |
| 75 | GC305-42109 | Shaft φ8x755 | 1 |
| 76 | GC260-42158 | Pin Handle | 1 |
| 77 | GC260-42157A | Pin | 1 |
| 78 | GC260-42145 | Pin Support | 1 |
| 79 | GC305.3-42150 | Conection Set | 1 |
| 80 | GC260-42150.1 | Handle | 1 |
| 81 | YD3800-90021 | Screw Gb/T70.1 M5x10 | 1 |
| 82 | GC305-90012 | Screw Gb/T70.1 M6x25 | 1 |
| 83 | GC260-42156 | Spring | 1 |
| 84 | GC305-22121 | Drum Clutch | 1 |
| 85 | GC305-93215 | Ring Snap Gb/T89301-1986 | 1 |
| 86 | GC305-96019 | Ball Beraing Gb/T 276-1994 | 1 |
| 87 | GC305-93217 | Spring Snap Gb/T894.1-86 | 1 |

Spare parts list RPB 420 Transmission

| Pos no | Part reference | English description | Dosage |
|--------|-----------------|---------------------------|--------|
| 88 | GC305-44324.2 | Cover Output | 1 |
| 89 | GC305-44323.2 | Sleeve | 1 |
| 90 | GC305-44327 | Screw | 1 |
| 91 | GC305-90012 | Screw M6X25 | 1 |
| 92 | YD3800-90021 | Screw M5X10 Gb/T 70.1 | 1 |
| 93 | YD3800-93211 | Ring Snap Gb/T 89301-1986 | 1 |
| 94 | GC305.1-97013 | Screw M6*30 Gb/T 9074 | 4 |
| ZC1 | GC305.3A-47080A | Handle | 1 |
| ZC2 | GC305.6-43010 | Plate Assy | 1 |
| ZC3 | GC305-48040 | Gear Box Assy | 1 |
| ZC4 | GC305-48180 | Nylon Cutter | 1 |
| ZC5 | GC305-44300.2 | Support -Output | 1 |

RPB 420 Engine

EASY START



Spare parts list for RPB 420 engine

| Pos no | Part reference | English Name | Qty |
|--------|-----------------|---------------------------------------|-----|
| 1 | GC305.3B-16308 | Knob | 1 |
| 2 | GC415.3B-16301 | Cover-Air Filter | 1 |
| 3 | YD4500-90029 | Screw Gb/T 70.1/M5X50 | 2 |
| 4 | GC305-93014 | Gasket Gb/T 97.1-2002/Φ14Xφ5X1 | 1 |
| 5 | GC260.2-24005 | Spring Choke | 1 |
| 6 | YD2500-93012 | Gasket Gb/T 97.1-2000/Φ10Xφ5X1 | 1 |
| 7 | GC260.2-16309.1 | Inbuilt-Air Filter(Short) | 1 |
| 8 | GC305.3B-24006 | Choke Knob | 1 |
| 9 | GC260.2-16309.2 | Inbuilt-Air Filter(Long) | 1 |
| 10 | GC305.3B-16211 | Air Filter | 1 |
| 11 | GC415-18200 | Domestic Carburetor(Hulong Mr15A2-Hy) | 1 |
| 12 | GC415-18204 | Gasket Carburetor | 1 |
| 13 | YD6200-97004 | Screw Gb/T 9074/M5X20 | 18 |
| 14 | GC415-16111 | Boot-Intake | 1 |
| 15 | GC415-16001 | Washer-Intake | 1 |
| 16 | GC305.3-26200 | Spark Plug | 1 |
| 17 | GC305.3-18315 | Plate | 1 |
| 18 | GC415.3-11301 | Cover Cylinder | 1 |
| 19 | GC305-97011 | Screw Gb/T 9074/M5X14 | 2 |
| 20 | YD6200-97004 | Screw Gb/T 70.1/M5X20 | 1 |
| 21 | GC415-12111 | Cylinder | 1 |
| 22 | GC415-12501 | Gasket Cylinder | 1 |
| 23 | GC415.3-21001 | Washer-Muffler | 1 |
| 24 | GC415-21110 | Muffler Assy | 1 |
| 25 | GC305-97010 | Screw-Muffler Gb/T9074.14-1988 | 2 |
| 27 | GC305-26151 | Wire Switch | 1 |
| 28 | GC415.3-26110 | Ignition | 1 |
| 29 | LJ230B-97006 | Screw Gb/T 9074/M5X25 | 2 |
| 30 | GC415.3-14323 | Crankcase Side Cover | 1 |
| 31 | GC30-22133 | Screw Clutch | 2 |
| 32 | YD6200-94031 | Pin Gb/T 119.1-2000 | 2 |
| 33 | GC30-93402 | Washer Gb/T 95-1987/Φ10 | 2 |
| 34 | GC305-22112 | Hoof Block Clutch | 2 |
| 35 | GC305-22132 | Spring Clutch | 1 |
| 36 | GC305-93004 | Washer Gb/T 97.1-2000/Φ8 | 2 |
| 37 | YD2500-92102 | Nut Gb/T 6177.1/M8 | 1 |
| 38 | GC415-15110 | Flywheel | 1 |
| 39 | YD3800-95012 | Seal Oil Gb/T 9877.1 | 1 |
| 39-1 | GC415-95013 | Seal Oil | 1 |
| 40 | LJ230B-97007 | Screw Gb/T 9074/M5X30 | 4 |
| 41 | GC415-13101 | Right Crankcase | 1 |
| 42 | GC415-94602 | Key Fly Wheel Gb/T 1099 | 1 |
| 43 | YD6200-94031 | Pin Gb/T 119.1-2000 | 2 |
| 44 | YD2500-96013 | Bearing Ball6202/Gb/T 276 | 2 |
| 45 | GC415-14110 | Shaft Assy | 1 |
| 46 | GC415-96119 | Needle Bearing Ballk9X12X12/Jb 2581 | 1 |
| 47 | GC415-14002 | Ring Snap | 2 |
| 48 | GC415-14211 | Piston | 1 |

| | | | |
|-----|-----------------|--------------------------------------------|---|
| 49 | GC415-14001 | Piston Pin | 1 |
| 50 | GC415-14311 | Piston Ring | 2 |
| 51 | GC415-13090 | Gasket Crankshaft | 1 |
| 52 | GC415.3-13201 | Left Crankcase | 1 |
| 53 | GC305-25260.2 | Pulley Assy For Easy Start | 1 |
| 54 | YD2500-91332 | Screw For Pulley Start(Easy Start)Gb/T 845 | 1 |
| 55 | YD2500-93011 | Gasket Gb/T 97.1-2002 | 1 |
| 56 | GC305-25215.2 | Small Pulley Start Easy Start | 1 |
| 57 | GC305-25112 | Spring Easy Start | 1 |
| 58 | GC305-25301 | Start Rope | 1 |
| 59 | GC305-25211.2 | Pulley Start Easy Start | 1 |
| 60 | GC305-25212.2 | Coil Spring For Easy Start | 1 |
| 61 | GC305-25110.2 | Housing Start Easy Start | 1 |
| 62 | GC305-25311 | Start Handle | 1 |
| 63 | GC415.3-18303 | Support Fuel Tank | 1 |
| 64 | YD4500-25318 | Start Handle Washer | 1 |
| 65 | GC305.3B-24008 | | 1 |
| 66 | GC305-18032 | Fuel Cap | 1 |
| 67 | GC305-18209 | Fuel Filter Vert | 1 |
| 68 | GC305-17402 | Venthole | 1 |
| 69 | GC305-17133 | Support-Venthole | 1 |
| 70 | GC305-18033 | Gasket Fuel Cap | 1 |
| 71 | GC305-18208 | Hang | 1 |
| 72 | GC305-18031 | Hang | 1 |
| 73 | GC3305-18101.1 | Fuel Inlet | 1 |
| 74 | GC3305-18101.2 | Fuel Outlet | 1 |
| 75 | GC305-18104 | Support-Fuel Pipe | 1 |
| 76 | GC305-18034 | Fuel Filter | 1 |
| 77 | GC415.3-18303 | Fuel Tank | 1 |
| 78 | GC305.3-18213.1 | Support Fuel Tank | 1 |
| 79 | GC305.3-16205 | Plate | 1 |
| 80 | GC305.3-16313 | Sponge-Air Filter | 1 |
| ZC1 | GC305-25000 | Start Assy | 1 |
| ZC2 | GC305-14000 | Crank Shaft+Piston Assy | 1 |
| ZC3 | GC305-18030 | Fuel Cap Assy | 1 |
| ZC4 | GC305-22110 | Clutch Assy | 1 |
| ZC5 | GC415.3-18300 | Fuel Tank | 1 |