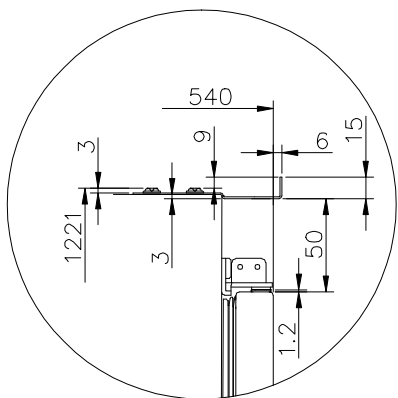
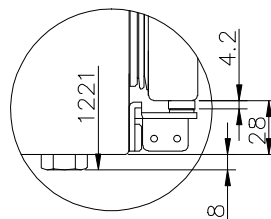


A
6:1



C
6:1



18/21/22BIA