

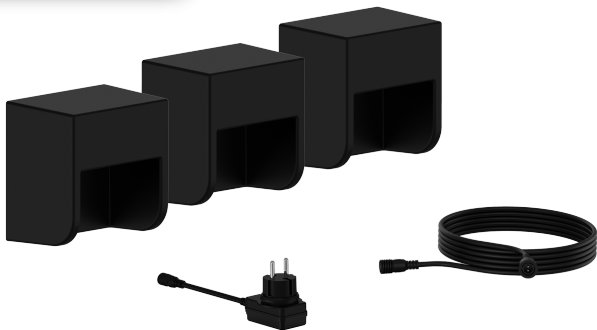
PHILIPS

Outdoor Low Voltage
Grits

9290040725

9290040858

9290040862



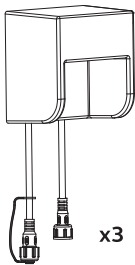
User manual
Benutzerhandbuch
Notice d'emploi
Manual de usuario
Manual do usuário
Manuale d'uso
Gebruiksaanwijzing

Incl.

A



B



x3

Type F or Type G or Type J

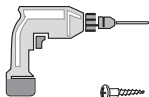
x1

x1

x1

5m x1

Excl.



x2



B

IP44

Luminaire



E

IP20

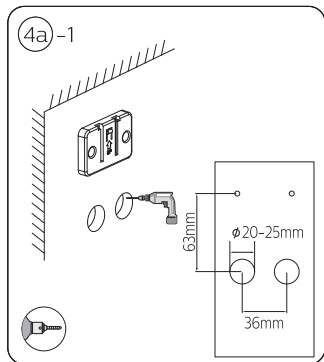
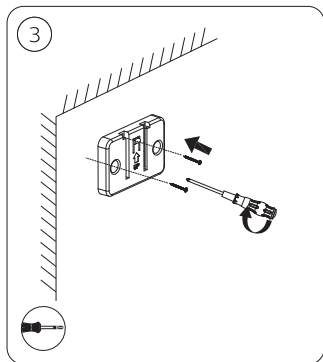
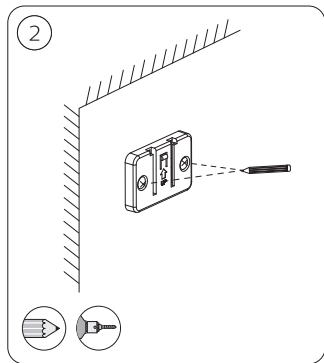
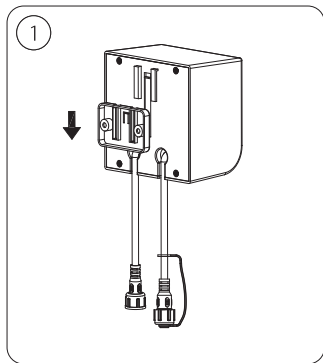
Type G

IP55

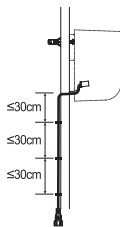
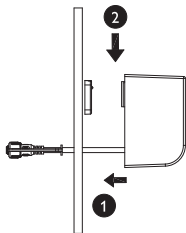
Type J

IP44

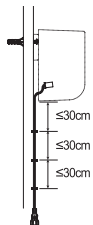
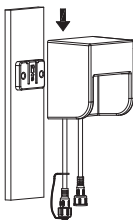
Type F



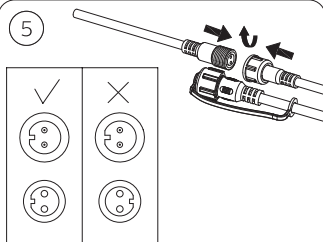
4a-2



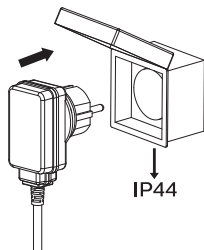
4b



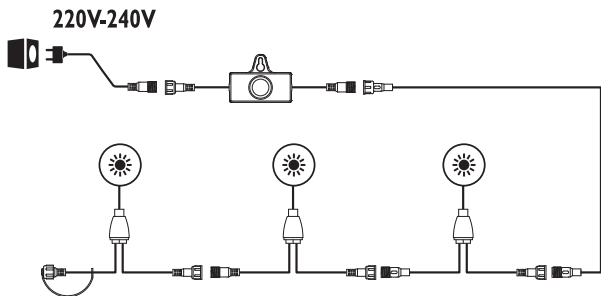
5



6



Philips GardenLink Low-volt system (24V)





Signify Commercial UK Limited
Unit 3, Guildford Business Park,
Guildford, Surrey, GU2 8XG, UK

Signify
I.B.R.S. / C.C.R.I. Numéro 10461
5600 VB Eindhoven, the Netherlands
☎00800-74454775

Philips and the Philips Shield Emblem
are registered trademarks of Koninklijke
Philips N.V. and are used under license.

www.philips.com/lighting

© 2023 Signify Holding
The Signify logo consists of a stylized 'S' inside a circle, followed by the word "ignify" in a lowercase, sans-serif font.

3241 661 00043