

English

Deutsch

Čeština

Hrvatski

Bosanski

Slovenčina

ERD 21444 WE

ERD 21430 WE

REFRIGERATOR
INSTRUCTION MANUAL

KÜHLSCHRANK
BEDIENUNGSANLEITUNG

CHLADNIČKA
NÁVOD K OBSLUZE

HLADNJAK
UPUTE ZA UPORABU

CHLADNIČKA
NÁVOD NA OBSLUHU

■ Always read the safety&use instructions carefully before using your appliance for the first time. The user's manual must be always included. ■ Bitte lesen Sie vor der Inbetriebnahme des Produktes diese Anleitung und die darin enthaltenen Sicherheitshinweise aufmerksam durch. Die Bedienungsanleitung muss dem Gerät immer beigelegt sein. ■ Před uvedením výrobku do provozu si důkladně přečtěte tento návod a bezpečnostní pokyny, které jsou v tomto návodu obsaženy. Návod musí být vždy přiložen k přístroji. ■ Uvijek pročitajte sigurnosne upute i upute za uporabu prije prvog korištenja vašeg uređaja. Upute moraju uvijek biti priložene. ■ Pred uvedením výrobku do prevádzky si dôkladne prečítajte tento návod a bezpečnostné pokyny, ktoré sú v tomto návode obsiahnuté. Návod musí byť vždy priložený k prístroju.

SAFETY INSTRUCTIONS

Read carefully and save for future use!

Warning: The safety measures and instructions, contained in this manual, do not include all conditions and situations possible. The user must understand that common sense, caution and care are factors that cannot be integrated into any product. Therefore, these factors shall be ensured by the user/s using and operating this appliance. We are not liable for damage caused during transportation, improper use, voltage fluctuation or any change or modification of any part of the appliance. To protect against a risk of fire or electric shock, basic precautions shall be taken while using electrical appliances, including the following:

1. Make sure the voltage in your outlet corresponds to the voltage provided on the appliance label and that the socket is properly grounded. The outlet must be installed in accordance with applicable electrical codes according to EN.
2. Do not operate the device if the cord is damaged. **All repairs or adjustments including cord replacements shall be performed by a professional service centre! Do not remove the protective covers from the appliance; there is a risk of electric shock!**
3. Protect the appliance against direct contact with water and other liquids, to prevent potential electric shock. Do not immerse cord or plug in water!
4. Do not use the appliance in humid environments or in areas where there may be gas leakage or contact with an explosive atmosphere. Do not touch the cord or the device with wet hands. Risk of electric shock.
5. The power cord must remain accessible once the device is installed. Do not shorten the cable and do not use splitters in electric outlets. Do not allow the cord to touch hot surfaces or place the cord over sharp edges.
6. Do not switch the appliance on or off by plugging in or pulling out the power supply plug. Do not remove the power cord from the

- outlet by yanking the cord. Unplug the power cord from the outlet by grasping the plug.
7. Do not insert any objects into the device or place any objects on the device (e.g. vases, cups, etc.). Never cover the ventilation openings!
 8. Do not use other electrical appliances or freezing equipment in the appliance.
 9. If this appliance is replacing an old appliance with a lock, make the lock of the old appliance inoperational to prevent children from locking themselves inside (e.g. when playing).
 10. Do not use mechanical devices or other artificial means to speed up defrosting. Do not use electrical appliances in the food storage area. Protect the cooling circuit of the appliance against damage.
 11. Do not allow children to play with the appliance. Also, they may not sit on the shelves and hang on the door of the appliance.
 12. Do not use sharp metal objects to remove ice in the refrigerator, as they can damage the freezing circuits and cause irreparable damage to the equipment. If necessary, use a plastic scraper.
 13. Do not store explosive materials such as sprays with propellant in the appliance.
 14. Do not place containers (glass bottles or cans) with liquids in the freezer. The container could burst.
 15. Bottles containing liquids with high alcohol content must be properly closed and placed vertically when stored.
 16. Do not expose the appliance to direct sunlight, do not use it outside and do not expose it to rain.
 17. Do not touch the cooling surfaces with wet hands. Risk of injury.
 18. Do not consume the ice removed from the freezer.
 19. This appliance is designed for domestic use and for use in similar places, such as:
 - Kitchenettes in shops, offices and other workplaces
 - appliances used by guests in hotels, motels and other residential areas.
 - appliances used in bed and breakfast residences

20. This appliance may be used by children under 8 years of age and older and persons with reduced physical, sensory or mental capabilities or lack of experience and knowledge if supervised or instructed to use the appliance in a safe manner and understand the potential hazards. Children shall not play with the appliance. User cleaning and maintenance must not be performed by unsupervised children.
21. Children aged 3 to 8 years can insert and remove food from refrigerating appliances.
22. Child supervision is essential to prevent them from playing with the appliance.
23. The manufacturer is not liable for any damage caused by improper grounding/use.
24. It is necessary to keep free the ventilation openings in the cover or in the construction of the appliance.

To prevent food contamination, please follow these recommendations:

- Opening the door for a long time can cause a significant increase in the temperature inside the appliance.
- Regularly clean surfaces and accessible drainage systems that may come into contact with food.
- Clean water containers if not used for 48 h; flush the water system connected to the water supply if the water has not flowed for 5 days.
- Store raw meat and fish in the refrigerator in suitable containers so that they do not come into contact with or drip into other foodstuffs.
- Two-star freezing compartments are suitable for storing pre-frozen food, storing or making ice cream and making ice cubes.
- One-, two- and three-star compartments are not suitable for freezing fresh food.
- If the refrigerating appliance is left empty for a long time, turn it off, defrost, clean, dry and leave the door open to prevent mold formation inside the appliance.

RISK OF FIRE!



WARNING: RISK OF FIRE/FLAMMABLE MATERIALS

This appliance contains R600a (isobutane coolant), natural (natural) gas that is very environmentally friendly but flammable. When transporting and installing the appliance it is necessary to ensure that none of the parts of the cooling circuit is damaged. In case of damage limit the flame and ventilate for several minutes the space where the appliance is located.

The cooling system contains high-pressure coolant. Do not manipulate the system. It must only be repaired by a qualified person.

When replacing the interior lighting of the refrigerator, always unplug the refrigerator - otherwise there is a risk of electric shock. • If the replacement of the interior lighting is too complicated for you, contact your service representative. • If the products are equipped with LEDs, do not remove the lighting cover and LED yourself. – contact your service representatives.

REPLACING THE LED BULB: Do not remove the indicator cover or indicator yourself when the internal or external LEDs no longer operate. Contact the service representatives.

Do not replace the LED lighting yourself. Contact the service representatives.

The description and information of the appliance may vary according to the type of model. This appliance is not intended for use as a built-in appliance.

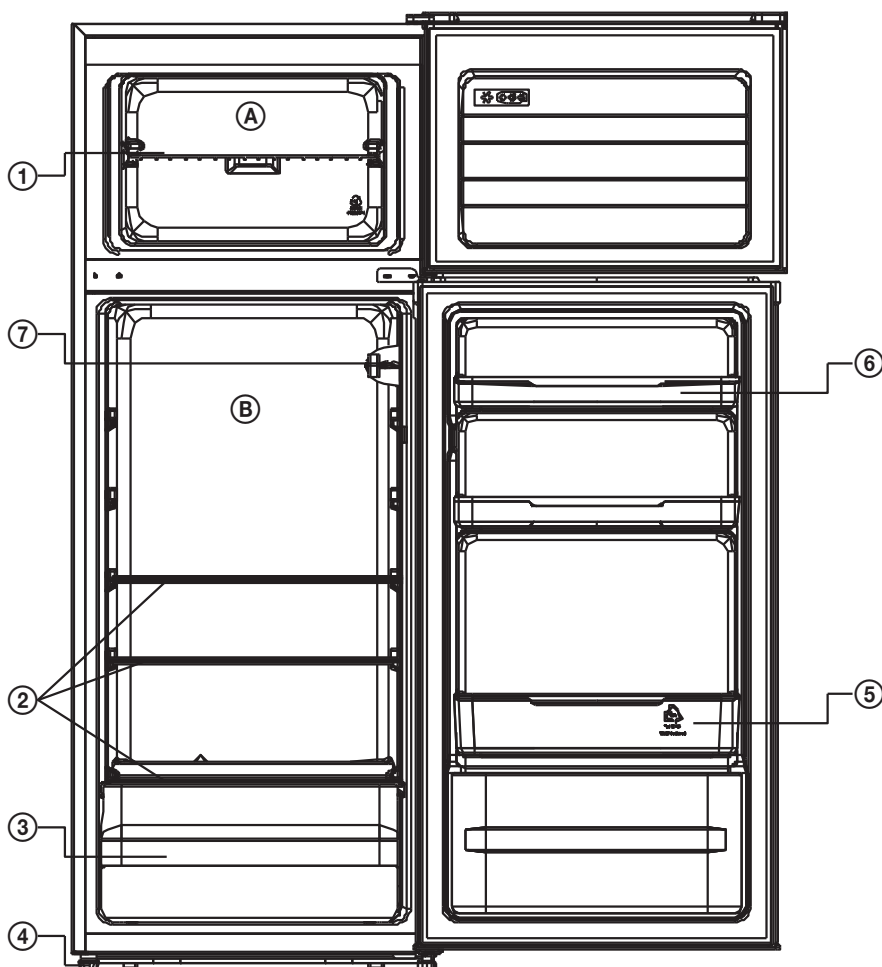
DESCRIPTION

This description only applies to information regarding the components for the appliance. Individual parts may differ according to the particular appliance model.

- A) Freezer
B) Refrigerator

1. Freezer Shelf
2. Refrigerator shelves
3. Drawer for storing fresh fruit and vegetables
4. Adjustable feet
5. Door compartment for bottles
6. Door compartment
7. Thermostat

Picture is for illustrative purposes only. Differs according to the specific model of the appliance – see information sheet

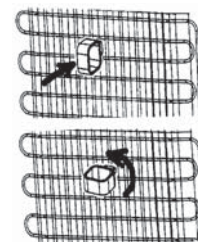


INSTALLING AND TURNING ON THE APPLIANCE

- You can contact the service technicians to install and turn on the device properly.
- Before connecting the electricity, make sure that the voltage stated on the label corresponds to the voltage in the socket / voltage for the electricity system in the building.
- The outlet must be accessible after installing the appliance.

Installing the device

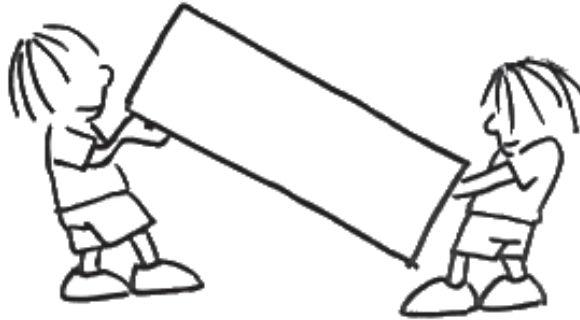
- Place the refrigerator away from any sources of heat and in a well-ventilated position. The refrigerator should be located a minimum of **50 cm** away from radiators, gas stoves and other heat sources, and **5 cm** away from electric stoves.
- Leave free space of minimum **15 cm** above the appliance.
- Connect the plastic spacer to the condenser on the rear wall of the refrigerator to prevent the refrigerator from leaning against the wall and thereby reduce its power.
- Do not place heavy items on the refrigerator.
- If the appliance is installed beside another refrigerator or freezer, keep a minimum distance of **2 cm** to prevent vapour condensation.
- The refrigerator must stand firmly in a horizontal position. Use the two adjustable front feet for levelling.



TRANSPORT AND RELOCATION

Transport and relocation

- Store the original packaging and foam polystyrene (PS) if they are needed.
- When transporting the appliance, secure with a wide strap or strong rope and follow the instructions on the package.
- Before transport or relocation secure or remove all movable items (i.e. shelves, drawer for fresh fruit and vegetables...).



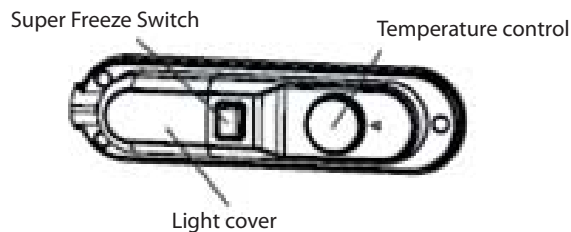
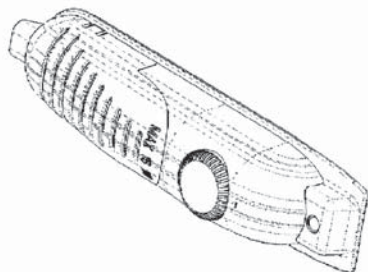
Before switching on

- Leave the product to rest for at least 3 hours from the time it was transported to your home.
- You may detect a slight odour when you first switch it on. This odour will disappear once the appliance starts to cool.



VARIOUS FUNCTIONS AND OPTIONS

Setting of the thermostat



The freezer and refrigerator thermostat automatically regulates the internal temperature. You can set lower temperature by turning the knob from position **1** to **5**.

Setting the freezer and refrigerator thermostat

- OFF/0:** Off
- MIN/1-2:** For short-term storage of food in the freezer (knob from minimum to medium).
- MED/3-4:** For long-term storage of food in a freezer (knob to medium value).
- MAX/5:** To freeze fresh foods. After reaching the cold state, it is necessary to set the knob to the previous position.
- Super freezing*** This switch is used for the super freeze function. For maximum freezing capacity, please turn on this switch 24 hours before loading fresh food. After placing fresh food in the freezer, it is generally sufficient to leave the switch in the ON position for 24 hours. To save energy, turn off this switch 24 hours after loading fresh food.

* differs according to the specific model of the appliance – see information sheet

Turn on the appliance

- On first switch-on, the appliance should be operated continuously for at least 24 hours until it has cooled to a sufficient temperature.
- During this time do not open the door too often. Fill the appliance with foods.
- If you turn off or unplug the appliance, wait at least 5 minutes before restarting or turning it on to avoid damage to the compressor.
- Your refrigerator is designed to operate at the ambient temperature specified in standards according to the climatic class indicated on the rating plate. We do not recommend operating the refrigerator in an environment that is not within the stated range due to effect on its efficiency.

Climate classes and meaning: see information sheet

T (tropical): This refrigerator is intended for use at ambient temperatures between 16 °C and 43 °C.

ST (subtropical): This refrigerator is intended for use at ambient temperatures between 16 °C and 38 °C.

N (normal): This refrigerator is intended for use at ambient temperatures between 16 °C and 32 °C.

SN (subnormal): This refrigerator is intended for use at ambient temperatures between 10 °C and 32 °C.

Climatic classes	Surrounding
T	16 up to 43°C
ST	16 up to 38°C
N	16 up to 32°C
SN	10 up to 32°C

STORING FOOD

Cooling compartment

- To reduce moisture and subsequent ice build-up, never put liquid into the refrigerator in unsealed containers. Frost tends to concentrate in the coolest parts of the evaporator. Storing uncovered liquids results in a more frequent need for defrosting.
- Never put warm foods in the refrigerator. These should first cool down at room temperature and then be placed so as to ensure adequate air circulation in the refrigerator.
- Foods or food containers should not touch the back wall of the refrigerator because they could freeze to the wall. Do not keep regularly opening the door of the refrigerator.
- Meat and clean fish (packed in a package or plastic foil) can be placed in the refrigerator, which can be used in 1–2 days.
- Fruit and vegetables without packaging can be placed in the part designated for fresh fruit and vegetables.
- Under normal operating conditions, it is sufficient to adjust the temperature of the refrigerator to +4 °C.
- The temperature of the cooling compartment should be in the range of 0-8°C, fresh foods are frozen and rotten at temperatures below 0°C, and bacteria increase and food spoils at temperatures above 8°C.
- Do not refrigerate hot foods, let them cool to room temperature.
- Hot foods increase the temperature of the refrigerator and can cause food poisoning or unnecessary food spoilage.
- Meat, fish and similar foods should be stored in chiller and vegetables in the vegetable compartment (if applicable).
- Do not store meat products with fruit and vegetables to avoid cross-contamination.
- Food in a refrigerator should be stored in closed containers or other suitable packaging so as not to release odours and moisture into the refrigerator.

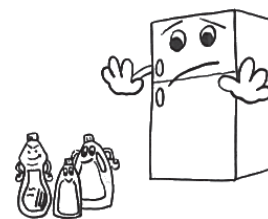
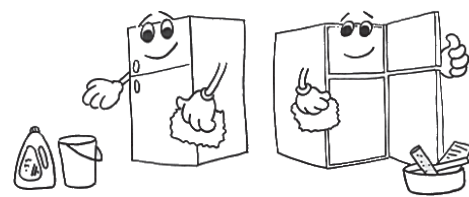
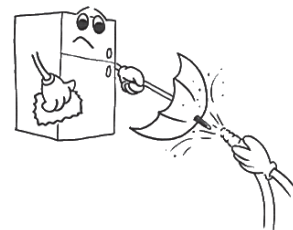
Freezer compartment

- The freezer is designated for the storage of food frozen at very low temperature, long-term storage of frozen food, and for the production of ice.
- Only use the shelves in the door of the freezer to store frozen food, not for storing hot food designated for freezing.

- Do not put fresh and frozen food next to each other. The frozen food may thaw.
- When freezing fresh food (such as meat, fish or chopped meat), cut them into parts that can be used at the same time.
- Storing frozen food: instructions are usually stated on the packages, which must be followed. If there is no information on the packaging, food should not be stored for longer than three months from the date of purchase.
- When purchasing frozen food, make sure that it was frozen at a suitable temperature and that the packaging is not damaged.
- Frozen food should be kept in suitable packages to retain the quality and should be returned to the freezer compartment as soon as possible.
- If a package of frozen food shows moisture or abnormal bulging, it is probable that it was stored at the wrong temperature and the content is spoiled.
- The storage period for frozen food depends on the room temperature, the thermostat setting, the frequency of opening the door of the freezer, the type of food and the time of transporting the product from the shop to the household. Always follow the instructions printed on the packaging and never exceed the maximum storage time stated on the package.
- To achieve the ideal appliance efficiency and maximum freezing capacity, set the refrigerator to 4°C for 24 hours before placing fresh food in the freezer.
- Usually, changing the setting to 2°C for 24 hours is sufficient when fresh food is placed in the freezer. You can lower the setting if necessary after 24 hours.

CLEANING AND MAINTENANCE

- **Before cleaning, disconnect the appliance from the electricity socket.**
- Do not clean the appliance with water.
- The refrigerator and the freezer should be periodically cleaned using a lukewarm water solution and edible soda.
- Clean accessories separately using soapy water. Do not use a washing machine.
- Do not use abrasive products, detergents, and soaps. After washing, rinse with clean water and dry thoroughly. After cleaning, use dry hands to plug the appliance into the electricity socket.
- Clean the condenser (the back part of the appliance) using a brush a minimum of once a year. This will increase productivity and save energy.

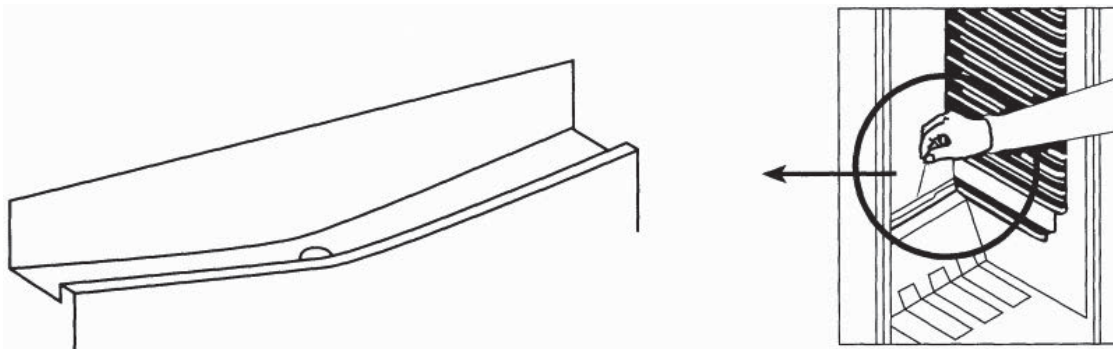


Recommendation

If you are not using the appliance for a long time (for example during summer holidays), disconnect the refrigerator from the power supply, clean it and leave the door open. This will prevent the origination of mould and odour.

Defrosting the refrigerator

- Defrosting occurs automatically during operation in part of the refrigerator; water flows into the evaporation channel and is automatically evaporated.
- The evaporator channel and the hole for collecting water (in the rear part of the shelf for fresh foods) should be periodically cleaned. This will prevent the accumulation of water in the lower part.



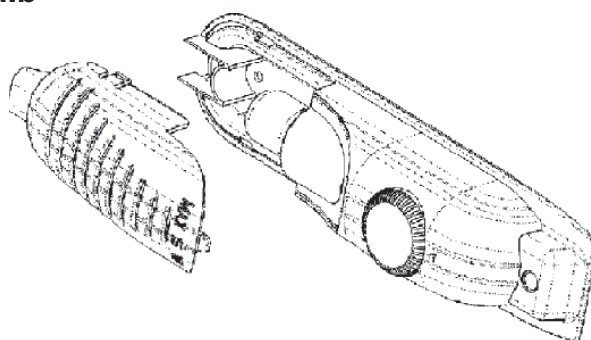
Freezer defrosting

- Frost build-up in a freezer must be periodically removed at least twice a year.
- Do not use sharp metal objects to remove the frost build-up. They can break a circuit and cause irreparable damage to the appliance. Use a plastic scraper.
- Defrosting should be carried out when the frost on the shelves becomes thicker than 5 mm.
- The day before defrosting set the thermostat to the **MAX/ 5** position to freeze the food completely.
- During defrosting, the frozen food should be packed into several layers of paper and stored in a cold place. This will keep the temperature of your food low for a long time.
- Set the thermostat to the position **OFF/0**, disconnect the appliance from the power supply and leave the door open until the defrosting is complete.
- To speed up the defrosting process, place one or more containers with hot water in the freezer.
- Carefully dry the inside of the appliance with a clean cloth or sponge.
- When the defrosting is complete, put the food back into the freezer, set the thermostat to the max. position, and keep in mind that it is necessary to consume the food within short time.

Replacement of the bulb in the refrigerator

If the products are equipped with LEDs, do not remove the lighting cover and LED yourself. Contact the service representatives.

For models that have a bulb*



1. Unplug the appliance from the power supply.
2. Press the hooks on the sides of the top of the cover and remove the bulb cover.
3. Replace the defective bulb with a new one with maximum power 15 W.
4. Install the bulb cover and connect the appliance to the power supply after 5 minutes.

For models with LED lighting*

Do not replace the LED lighting yourself. Contact the service representatives.

* differs according to the specific model of the appliance – see information sheet

Reversing the door opening

If you need to change the direction of opening the door, consult your service technician.

TROUBLESHOOTING

If the refrigerator does not work correctly, before calling a service technician, check the appliance according to the following instructions:

The refrigerator does not work

Check that:

- The electricity supply is not interrupted.
- The main switch for the electric current is not off.
- the thermostat is not set to **OFF/0** position,
- The electricity socket is working. To check, plug another appliance that you know is working into the same socket.

The performance of the refrigerator is low

Check that:

- there is not too much food placed in the appliance,
- is the thermostat set to position **MIN/1** (if yes, set the thermostat to a higher value)
- is the door properly closed,
- isn't there dust on the condenser,
- is there is enough space around the rear and side walls to circulate the air.

The refrigerator is noisy

Cooling gas, which circulates in the refrigerator, may cause a slight noise (bubbling sound) even when the compressor is not running. Do not worry, this is completely normal. If these sounds are different, make sure that:

- the appliance is in the horizontal position,
- It is not in contact with the rear side.
- Parts of the appliance do not vibrate.

Water is in the lower part of the refrigerator

Check that:

- The water drain hole for the defrosting is not clogged (use a defrosting drain plug to drain water and clean the hole).

USE AND DISPOSAL OF WASTE

Wrapping paper and corrugated paperboard – deliver to scrapyards. Packing foil, PE bags, plastic elements – throw into plastic recycling containers.

DISPOSAL OF PRODUCTS AT THE END OF LIFETIME

Disposal of electric and electronic equipment (valid in EU member countries and other European countries with an implemented recycling system)

The represented symbol on the product or package means the product shall not be treated as domestic waste. Hand over the product to the specified location for recycling electric and electronic equipment. Prevent negative impacts on human health and the environment by properly recycling your product. Recycling contributes to preserving natural resources. For more information on the recycling of this product, refer to your local authority, domestic waste processing organization or store, where you purchased the product.



08/05

This product complies with EU directives on electromagnetic compatibility and electrical safety. This product meets the requirements for heavy metals in electrical equipment.



Changes of text and technical parameters reserved.

Old refrigerators and freezers contain insulating gases and freezing medium, which must be disposed of. Entrust the disposal to a competent local waste disposal service. If in doubt, contact your local authorities or your vendor. Make sure that the pipes of the cooling unit, which will be removed by the appropriate waste disposal service, are not damaged.

- Contact for professional servicing of this product can be found in the enclosed Warranty Certificate or on the website www.ecg-electro.eu.
- The warranty for this product is 24 months.
- Spare parts listed in EU 2019/2019 are available for 7 years.
- You can access the product database, where information about this product is stored according to EU 2019/2016, by reading the QR code on the energy label.

SICHERHEITSHINWEISE

Bitte aufmerksam lesen und gut aufbewahren!

Warnung: Die in dieser Anleitung angeführten Sicherheitsvorkehrungen und Hinweise umfassen nicht alle Umstände und Situationen, zu denen es kommen könnte. Der Anwender muss begreifen, dass der gesunde Menschenverstand, Vorsicht und Sorgfalt zu Faktoren gehören, die sich in kein Produkt einbauen lassen. Diese Faktoren müssen durch den Anwender bzw. mehrere Anwender bei der Verwendung und Bedienung dieses Gerätes gewährleistet werden. Wir haften nicht für Schäden, die durch Transport, eine unsachgemäße Verwendung, Spannungsschwankungen sowie eine Änderung oder Modifikation des Gerätes entstehen. Um Bränden oder Stromunfällen vorzubeugen, müssen bei der Verwendung von elektrischen Geräten u.a. folgende Vorsichtsmaßnahmen eingehalten werden:

1. Vergewissern Sie sich, dass die Spannung an Ihrer Steckdose mit der Spannung auf dem Etikett übereinstimmt und die Steckdose ordnungsgemäß geerdet wurde. Die Steckdose muss gemäß geltender elektrotechnischer Norm (EN) installiert werden.
2. Benutzen Sie das Gerät nicht, falls das Stromkabel beschädigt ist. **Lassen Sie sämtliche Reparaturen, Einstellungen und das Auswechseln des Stromkabels durch einen autorisierten Kundendienst vornehmen! Demontieren Sie niemals die Schutzabdeckungen des Gerätes. Dies könnte zu einem Stromunfall führen!**
3. Schützen Sie das Gerät vor direktem Kontakt mit Wasser und sonstigen Flüssigkeiten, um Stromunfällen vorzubeugen. Stromkabel oder Stecker niemals ins Wasser tauchen!
4. Gerät niemals in einer feuchten Umgebung oder in Räumen benutzen, in denen Gas entkommen könnte oder Kontakt mit einer explosiven Atmosphäre droht. Stromkabel oder Gerät niemals mit nassen Händen berühren. Es könnte zu einem Stromunfall kommen.
5. Der Netzstecker sollte auch nach der Installation des Gerätes leicht erreichbar sein. Verkürzen Sie nicht das Kabel und benutzen keine

- Mehrfachsteckdosen. Das Stromkabel darf nicht mit heißen Teilen in Berührung kommen oder über scharfe Kanten führen.
6. Schalten Sie das Gerät nicht durch Ein-/Ausziehen des Steckers ein oder aus. Ziehen Sie nicht am Kabel, um den Stecker aus der Steckdose zu ziehen. Ziehen Sie am Stecker, um das Kabel aus der Steckdose zu ziehen.
 7. Stecken Sie keine Gegenstände in die Geräteöffnungen und stellen auf das Gerät keine Gegenstände (z.B. Vasen oder Tassen). Belüftungsöffnungen niemals verdecken!
 8. Benutzen Sie innerhalb des Verbrauchsgertes keine anderen Elektrogeräte oder Gefrieranlagen.
 9. Falls dieser Verbraucher ein ausgedientes Gerät mit Schloss ersetzen soll, entfernen Sie zunächst das Schloss an diesem Gerät. Die Tür könnte sich versehentlich abschließen und Kinder im Verbraucher einsperren (z.B. beim Spielen).
 10. Benutzen Sie weder mechanische Vorrichtungen noch sonstige Hilfsmittel, um das Abtauen zu beschleunigen. Benutzen Sie keine Elektrogeräte im Bereich, in dem Lebensmittel aufbewahrt werden. Schützen Sie den Kühlkreislauf vor Beschädigungen.
 11. Kinder dürfen nicht mit dem Gerät spielen. Weiter dürfen sie nicht auf Regalen sitzen oder sich an die Tür des Verbrauchers hängen.
 12. Benutzen Sie zum Entfernen von Eis keine scharfen Metallgegenstände, da diese den Kühlkreislauf beschädigen und zu irreparablen Schäden führen könnten. Falls nötig, benutzen Sie eine Kunststoffspatel.
 13. Lagern Sie im Verbraucher keine Sprengstoffe wie z.B. Sprühdosen mit Treibgas.
 14. Sie sollten im Gefrierschrank keine Verpackungen (Glasflaschen oder Konserven) mit Flüssigkeiten aufbewahren. Das Gefäß könnte zerspringen.
 15. Flaschen mit Flüssigkeiten mit einem hohen Alkoholgehalt müssen gut verschlossen und vertikal gelagert werden.
 16. Setzen Sie das Gerät weder Sonnenlicht noch Regen aus. Benutzen Sie das Gerät nicht im Freien.

17. Berühren Sie nicht die Kühlflächen, vor allem nicht mit nassen Händen. Mögliche Verletzung.
18. Verzehren Sie nicht das Eis, das aus dem Gefrierteil entfernt wurde.
19. Dieses Gerät ist für den Gebrauch im Haushalt und in vergleichbaren Räumen bestimmt:
 - Küchenzeilen in Geschäften, Büros und ansonstigen Arbeitsplätzen
 - Verbrauchsgeräte, die Gästen in Hotels, Motels und ähnlichen Beherbergungseinrichtungen zur Verfügung stehen
 - Verbrauchsgeräte in Betrieben mit Übernachtung und Frühstück
20. Kinder im Alter von 8 Jahren und älter sowie Personen mit verminderten physischen, sensorischen und mentalen Fähigkeiten sowie mangelnden Erfahrungen und Kenntnissen, dürfen dieses Gerät nur unter Aufsicht benutzen, oder nachdem diese über einen gefahrlosen Gebrauch belehrt wurden und mögliche Gefahren verstehen. Kinder dürfen nicht mit dem Gerät spielen. Die seitens des Verbrauchers vorgenommenen Reinigungs- und Wartungsarbeiten dürfen Kinder nur dann vornehmen, falls diese beaufsichtigt werden.
21. Kinder von 3 bis 8 Jahren können Lebensmittel in Kühlgeräte geben und herausnehmen.
22. Kinder sollten beaufsichtigt werden, damit sichergestellt wird, dass sie mit dem Gerät nicht spielen.
23. Der Hersteller haftet nicht für Schäden infolge einer falschen Erdung/Anwendung.
24. Die Luftlöcher im Gehäuse des Gerätes oder in seiner Konstruktion dürfen nicht verdeckt werden.

Um eine Kontamination der Lebensmittel zu vermeiden, sollten folgende Hinweise befolgt werden:

- Durch das lange Öffnen der Tür könnte sich die Temperatur im Innenbereich des Verbrauchers erheblich erhöhen.
- Reinigen Sie regelmäßig Oberflächen, die in Kontakt mit Lebensmitteln kommen könnten, und zugängliche Ableitungssysteme.

- Wasserbehälter, die bis zu 48 Stunden nicht benutzt wurden, sollten gereinigt werden. Falls Wasser für bis zu 5 Tagen nicht durchgeflossen ist, sollte das an die Wasserzufuhr angeschlossene Wassersystem durchgespült werden.
- Rohes Fleisch und Fisch sollten im Verbraucher in geeigneten Verpackungen gegeben werden, damit diese nicht in Kontakt mit anderen Lebensmittel kommen oder auf diese abtropfen.
- Zwei-Sterne-Gefrierbereiche sind vor allem zur Lagerung von vorgekühlten Lebensmitteln und zur Lagerung oder Herstellung von Eis und Eiswürfeln geeignet.
- Ein-, Zwei- oder Drei-Sterne-Bereiche sind nicht zum Tiefkühlen von frischen Lebensmitteln geeignet.
- Sollte das Kühlgerät für längere Zeit leerstehen, ausschalten, abtauen, reinigen, trocknen und offen stehen lassen, um der Entstehung von Schimmel im Innenbereich vorzubeugen.

BRANDGEFAHR!



WARNUNG: BRANDGEFAHR / BRENNBARE STOFFE

Dieses Gerät enthält R600a (Kühlmedium Isobutan) und Erdgas, das zwar umweltfreundlich, aber brennbar ist. Während des Transportes und der Installation muss beachtet werden, damit kein Abschnitt des Kühlkreislaufes beschädigt wird. Falls der Kühlkreislauf dennoch beschädigt wurde, beugen Sie einem möglichen Brand vor und sorgen dafür, dass die Räume, in denen sich das Gerät befindet, einige Minuten lang belüftet werden.

Das Kühlsystem enthält Hochdruckkühlmittel. Das System nicht manipulieren. Es darf nur von einer qualifizierten Person repariert werden.

Verbraucher beim Auswechseln der Innenbeleuchtung vom Stromnetz trennen - ansonsten könnte es zu einem Stromunfall kommen. • Sollte das Auswechseln der Innenbeleuchtung für Sie zu kompliziert sein, Wenden Sie sich an Ihren Ansprechpartner im Kundenservice. • Wurden die Produkte mit LED-Dioden ausgestattet, sollten diese oder deren Gehäuse niemals vom Kunden selbst demontiert werden. – Wenden Sie sich an Ihren Ansprechpartner im Kundenservice.

AUSWECHSELN DER LED-LEUCHE: Wenn die inneren oder äußeren LED-Lichter nicht mehr funktionieren, sollten diese oder deren Gehäuse niemals vom Kunden selbst demontiert werden. Wenden Sie sich an Ihren Ansprechpartner im Kundenservice.

Ersetzen Sie die LED-Beleuchtung nicht selbst. Wenden Sie sich an Ihren Ansprechpartner im Kundenservice.

Die Beschreibung und Informationen des Geräts können je nach Modelltyp variieren. Dieses Gerät ist nicht für den Einsatz als Einbaugerät vorgesehen.

BESCHREIBUNG

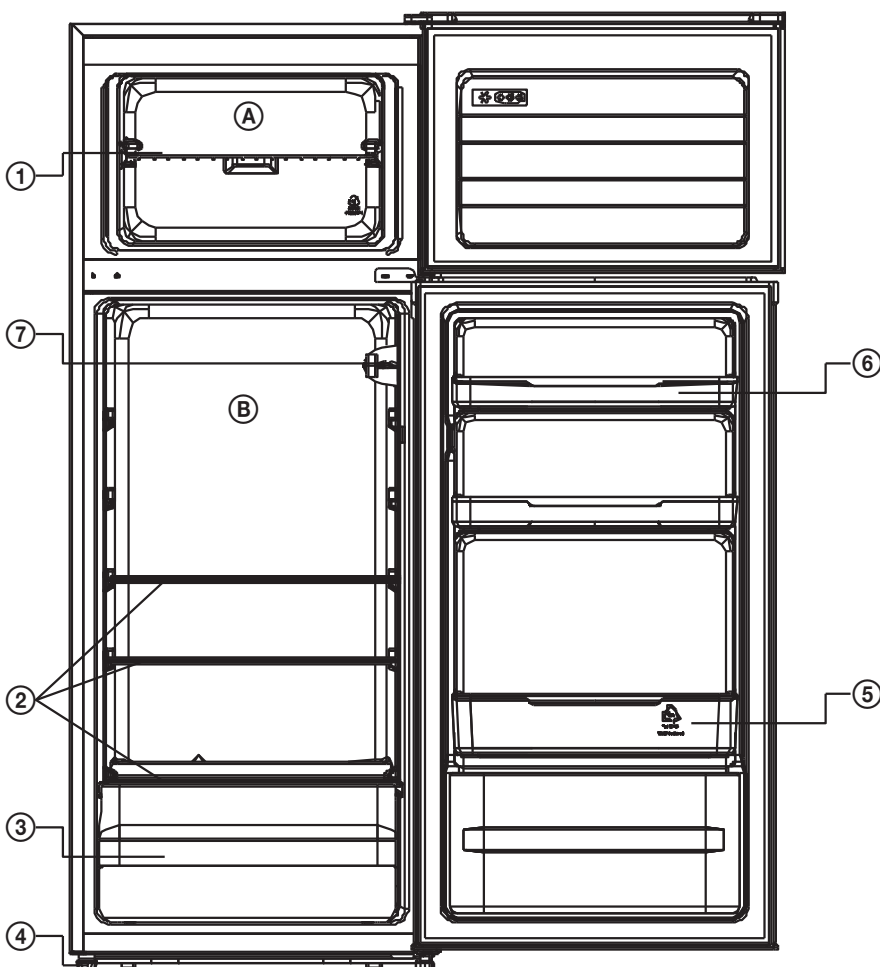
Diese Beschreibung informiert über einzelne Geräteteile.

Einzelne Teile können in Abhängigkeit vom jeweiligen Gerätemodell variieren.

- A) Gefrierschrank
- B) Kühlschrank

1. Gefrierschrankregal
2. Kühlschrankregal
3. Fach für frisches Gemüse und Obst
4. Verstellbare Füße
5. Abstellfach für Flaschen
6. Türfach
7. Thermostat

Das folgende Bild ist nur illustrativ. Unterscheidet sich je nach Gerätemodell - siehe Merkblatt

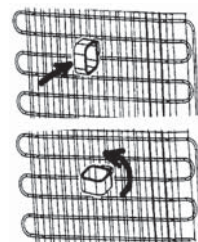


INSTALLATION UND EINSCHALTEN DES GERÄTES

- Für eine richtige Installation und das Einschalten des Gerätes können Wartungstechniker kontaktiert werden.
- Sie sollten sich vor dem Anschließen an das Strom vergewissern, dass die auf dem Geräteschild angeführte Spannung mit der Spannung in der Steckdose / im Gebäudenetz übereinstimmt.
- Die Steckdose muss nach dem Aufstellen der Gefriertruhe weiterhin gut zugänglich sein.

Aufstellung

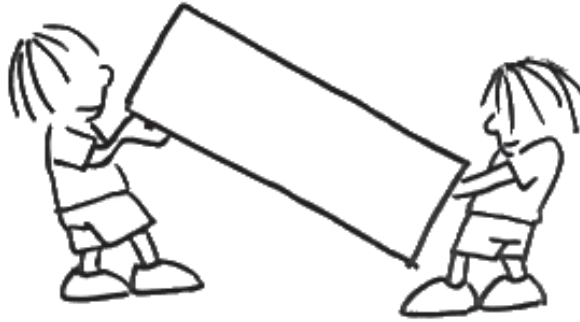
- Platzieren Sie den Kühlschrank in ausreichender Entfernung von Wärmequellen und in einer gut belüfteten Position. Der Kühlschrank muss mindestens **50 cm** von Radiatoren, Gasherden und sonstigen Wärmequellen und **5 cm** von Elektroherden platziert werden.
- Über dem Gerät ist ein Mindestabstand von **15 cm** zu gewährleisten.
- Befestigen Sie an den Kondensator auf der Rückseite des Kühlschranks ein Distanzelement, damit der Kühlschrank nicht die Wand berührt, was die Kühlleistung beeinträchtigen könnte.
- Stellen Sie keine schweren Gegenstände auf das Gerät.
- Beabsichtigen Sie das Gerät neben einen anderen Kühl- oder Gefrierschrank zu installieren, sollten Sie einen Mindestabstand von **2 cm** einhalten, um eine Dampfkondensation zu vermeiden.
- Das Gerät muss stabil und waagrecht stehen. Benutzen Sie zum Ausgleichen die zwei Vorderfüße.



TRANSPORT UND UMSTELLUNG

Transport und Umstellung

- Die ursprüngliche Verpackung und das Schaumpolystyrol (PS) sollten aufbewahrt werden.
- Benutzen Sie beim Transport ein breites Sicherheitsband oder ein starkes Seil und befolgen die auf der Verpackung angeführten Anweisungen.
- Vor dem Transport oder der Umstellung sollten sämtliche beweglichen Gegenstände gesichert oder herausgenommen werden (Regale, Fach für frisches Gemüse und Obst u. dgl.).



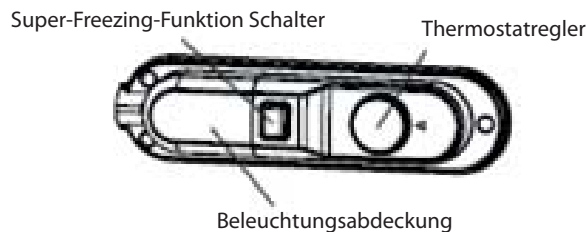
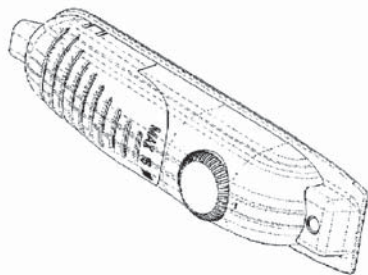
Vor dem Einschalten

- Nachdem das Produkt zu Hause aufgestellt wurde, sollte es mindestens 3 Stunden stillstehen.
- Nach dem ersten Einschalten kann ein leichter Geruch abgegeben werden. Dieser verschwindet sobald der Gefrierschrank zu kühlen beginnt.



FUNKTIONEN UND OPTIONEN

Thermostateinstellung



Der Thermostat des Kühl- und Gefrierschranks reguliert automatisch die Innentemperatur. Durch Drehen des Drehknopfes von **1** auf **5** kann eine niedrigere Temperatur eingestellt werden.

Einstellung des Kühlschranks- und Gefrierschrankthermostats

- OFF/0:** Aus
- MIN/1-2:** Für kurzzeitige Aufbewahrung von Lebensmitteln im Gefrierteil (minimaler bis mittlerer Wert).
- MED/3-4:** Für langfristige Aufbewahrung von Lebensmitteln im Gefrierteil (mittlerer Wert).
- MAX/5:** Zum Tiefkühlen von frischen Lebensmitteln. Für mehr Kühlleistung sollte der Drehknopf ein Schritt zurück versetzt werden.
- Super-Freeze-Funktion*** Dieser Schalter wird für die Super-Freeze-Funktion verwendet. Für maximale Gefrierkapazität schalten Sie diesen Schalter bitte 24 Stunden vor dem Laden frischer Lebensmittel ein. Nach dem Einlegen frischer Lebensmittel in den Gefrierschrank ist es in der Regel ausreichend, den Schalter 24 Stunden lang in der Position "ON" zu belassen. Um Energie zu sparen, schalten Sie diesen Schalter 24 Stunden nach dem Laden frischer Lebensmittel aus.

* unterscheidet sich je nach Gerätemodell - siehe Merkblatt

Einschalten des Gerätes

- Beim ersten Einschalten sollte das Gerät ohne Unterbrechung mindestens 24 Stunden arbeiten, bis eine ausreichende Temperatur erreicht wird.
- Während dieser Zeit sollten Sie nicht allzu oft die Kühlschranktür öffnen. Geben Sie Lebensmittel in den Kühlschrank.
- Wurde der Kühlschrank ausgeschaltet oder vom Stromnetz getrennt, sollten Sie vor dem Neustart oder einem erneuten Einschalten mindestens 5 Minuten warten, damit der Kompressor nicht beschädigt wird.
- Ihr Kühlschrank ist für den Betrieb in einer Umgebungstemperatur geeignet, die der jeweiligen Klimaklasse entspricht und dem Geräteschild zu entnehmen ist. Wir empfehlen nicht den Kühlschrank in einer Umgebung zu benutzen, die außerhalb der angeführten Werte liegt. Diese Anwendungsweise reduziert die Kühlleistung.

Klimaklasse und Relevanz: siehe Factsheet

T (tropisch): Dieser Kühlschrank ist für den Einsatz bei Umgebungstemperaturen zwischen 16 °C und 43 °C vorgesehen.

ST (subtropisch): Dieser Kühlschrank ist für den Einsatz bei Umgebungstemperaturen zwischen 16 °C und 38 °C vorgesehen.

N (normal): Dieser Kühlschrank ist für den Einsatz bei Umgebungstemperaturen zwischen 16 °C und 32 °C vorgesehen.

SN (subnormal): Dieser Kühlschrank ist für den Einsatz bei Umgebungstemperaturen zwischen 10 °C und 32 °C vorgesehen.

Klimaklassen	Umgebung
T	16 bis 43 °C
ST	16 bis 38 °C
N	16 bis 32 °C
SN	10 bis 32 °C

AUFBEWAHRUNG VON LEBENSMITTELN

Kühlteil

- Damit Feuchtigkeit und die anschließende Eisbildung reduziert wird, sollten im Kühlschrank keine Flüssigkeiten in nicht abgedichteten Verpackungen gelagert werden. Die Vereisung könnte sich an den kältesten Teilen des Verdampfers ansammeln. Falls nicht abgedichtete Flüssigkeiten in den Kühlschrank gegeben werden, könnte dies eine Ursache für ein häufigeres Abtauen sein.
- Geben Sie niemals warme Lebensmittel in den Kühlschrank. Warme Lebensmittel sollten zunächst bei Zimmertemperatur abkühlen und erst dann in den Kühlschrank gegeben werden, und zwar so, damit die Luftzirkulation nicht beeinträchtigt wird.
- Lebensmittel oder Verpackungen von Lebensmitteln sollten nicht die Rückwand des Kühlschranks berühren, da diese anfrieren könnten. Die Tür sollten nicht zu oft geöffnet werden.
- In den Kühlschrank kann Fleisch oder gesäuberter Fisch gegeben werden (und zwar in Verpackungen oder einer Plastikfolie), die binnen 1–2 Tagen verzehrt werden.
- Obst und Gemüse kann in dem Teil gelagert werden, der für frisches unverpacktes Obst und Gemüse bestimmt ist.
- Unter normalen Betriebsbedingungen genügt es, die Temperatur des Kühlschranks auf +4 °C einzustellen.
- Die Temperatur im Kühlraum sollte zwischen 0 °C und 8 °C liegen, frische Lebensmittel frieren und verrotten bei Temperaturen unter 0 °C, Bakterien nehmen zu und Lebensmittel verderben bei Temperaturen über 8 °C.
- Heiße Lebensmittel nicht im Kühlschrank lagern, sondern auf Raumtemperatur abkühlen lassen.

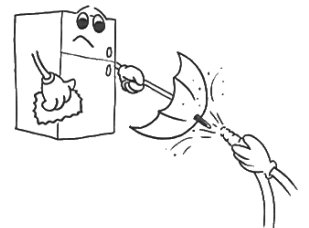
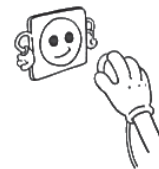
- Heiße Lebensmittel erhöhen die Temperatur im Kühlschrank und können zu Lebensmittelvergiftungen oder unnötigem Verderb führen.
- Fleisch, Fisch und ähnliche Lebensmittel sollten in Kühltruhen und Gemüse im Gemüfefach gelagert werden (falls vorhanden).
- Um Kreuzkontaminationen zu vermeiden, lagern Sie keine Fleischprodukte mit Obst und Gemüse.
- Lebensmittel in einem Kühlschrank sollten in geschlossenen Behältern oder anderen geeigneten Verpackungen aufbewahrt werden, damit Gerüche und Feuchtigkeit nicht in den Kühlschrank gelangen.

Gefrierteil

- Der Gefrierteil dient zur Lagerung von tiefgekühlten Lebensmitteln, zur Aufbewahrung von langfristig tiefgefrorenen Lebensmitteln und zur Herstellung von Eiswürfeln.
- Die Regale in den Türen dienen ausschließlich zur Aufbewahrung von tiefgekühlten Lebensmitteln und keineswegs zur Aufbewahrung von warmen Lebensmitteln, die tiefgekühlt werden sollen.
- Frische und tiefgekühlte Lebensmittel gehören nicht nebeneinander. Tiefgekühlte Lebensmittel könnten auftauen.
- Frische Lebensmittel (Fleisch, Fische oder Hackfleisch), sollten vor dem Tiefkühlen in Portionen aufgeteilt werden.
- Lagerung von tiefgekühlten Lebensmitteln: den Verpackungen sind Anweisungen zu entnehmen, die unbedingt eingehalten werden sollten. Falls keine Informationen auf der Verpackung angeführt sind, sollten die Lebensmittel innerhalb von 3 Monaten verzehrt werden.
- Sie sollten sich beim Kauf von tiefgekühlten Nahrungsmitteln vergewissern, dass diese bei einer ausreichenden Temperatur eingefroren wurden. Kontrollieren Sie die Verpackung auf mögliche Beschädigung.
- Tiefgekühlte Lebensmittel sollten in geeigneten Verpackung transportiert werden, damit deren Qualität bewahrt wird. Darüber hinaus sollten diese möglichst schnell wieder eingefroren werden.
- Sollte die Verpackung des jeweiligen Lebensmittels Anzeichen von Feuchtigkeit haben oder ungewöhnlich ausgebeult sein, ist höchstwahrscheinlich, dass die Lebensmittel bei einer ungeeigneten Temperatur aufbewahrt wurden und der Inhalt verdorben ist.
- Die Lagerungszeit von tiefgekühlten Lebensmitteln hängt von der Zimmertemperatur, der Einstellung des Thermostaten, der Frequenz des Türöffnens, dem Lebensmitteltyp und der Zeit ab, die zum Transport aus dem Regal in den Haushalt benötigt wurde. Sie sollten stets die auf der Verpackung angeführten Anweisungen einhalten und niemals die maximale Lagerungszeit überschreiten.
- Damit Sie das ideale Leistungsvermögen und die maximale Gefrierkapazität des Gefrierteils nutzen können, sollten Sie 24 Stunden vor dem Hineinlegen von frischen Lebensmittel die Temperatur auf 4 °C einstellen
- Nach dem Hineinlegen von frischen Lebensmittel kann die Temperaturen für die nächsten 24 Stunden auf 2 °C herabgesetzt werden. Nach 24 Stunden kann die Temperatur nach Bedarf reduziert werden.

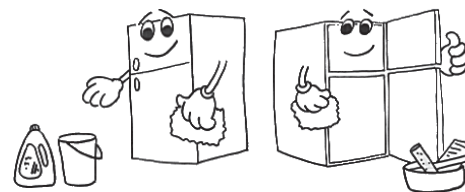
REINIGUNG UND INSTANDHALTUNG

- **Das Gerät muss vor der Reinigung vom Stromnetz getrennt werden.**
- Reinigen Sie das Gerät nicht so, indem Sie Wasser einlassen.
- Der Kühl- und Gefrierteil sollten periodisch gereinigt werden, und zwar mit lauwarmem Wasser und Speisesoda.



- Reinigen Sie das Zubehör separat mit Seifenwasser. Benutzen Sie keine Geschirrspülmaschine.

- Benutzen Sie keine abrasiven Produkte, Reinigungsmittel oder Seifen. Spülen Sie einzelne Teile nach dem Waschen mit klarem Wasser aus und lassen gut trocknen. Gerät nach der Reinigung erneut an das Stromnetz anschließen. Achten Sie darauf, dass Ihre Hände trocken sind.



- Der Kondensator (auf der Rückseite) sollte mindestens einmal pro Jahr mit einem Besen abgekehrt werden. Somit erhöhen Sie die Geräteleistung und sparen Stromkosten.

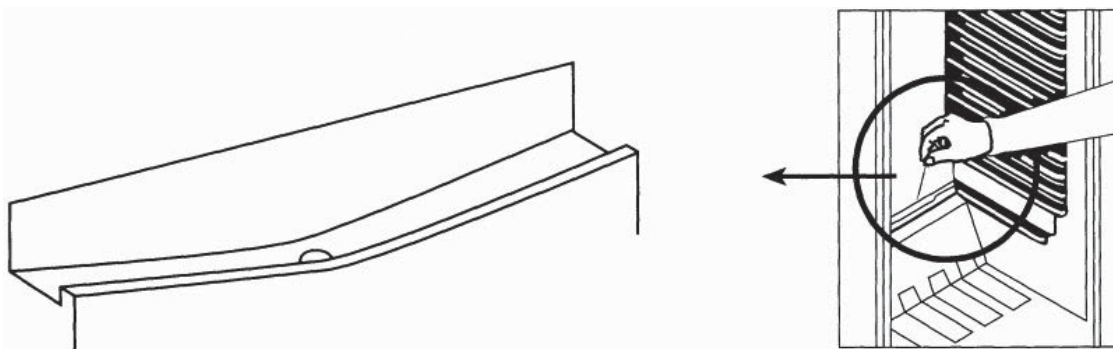


Empfehlung

Beabsichtigen Sie das Gerät für längere Zeit nicht zu benutzen (z.B. während des Urlaubs), trennen Sie dieses vom Stromnetz, reinigen und lassen die Tür geöffnet. Auf diese Weise beugen Sie Schimmel und Gerüchen vor.

Abtauen des Kühlteils

- Der Kühlteil wird automatisch während des Betriebes abgetaut; Wasser sammelt sich im Abdunstkanal und verdunstet.
- Der Abdunstkanal und die Wasserablauföffnung (im hinteren Teil des Regals für frische Lebensmittel) sollten periodisch gereinigt werden. Auf diese Weise beugen Sie einer Wasseransammlung im unteren Teil vor.



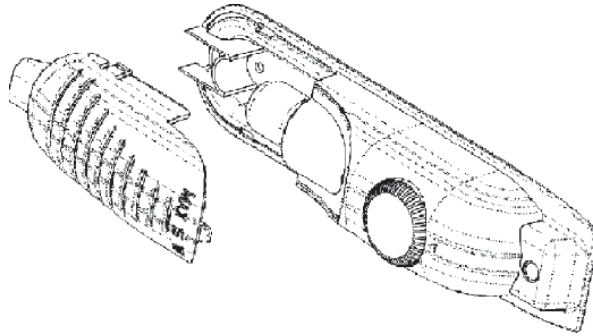
Abtauen des Gefrierteils

- Die Eissicht im Gefrierteil sollte periodisch entfernt werden, und das minimal 2x pro Jahr.
- Benutzen Sie hierfür keine scharfen Metallgegenstände. Diese könnten den Kühlkreislauf beschädigen und zu irreparablen Geräteschäden führen. Benutzen Sie eine Kunststoffspatel.
- Das Abtauen sollte vorgenommen werden, nachdem sich auf den Regalen eine Eisschicht bildet, die größer als 5 mm ist.
- Einen Tag vor dem Abtauen sollte der Thermostat in Position **MAX/5** versetzt werden, damit die Lebensmittel gut eingefroren sind.
- Beim Abtauen sollten die tiefgekühlten Lebensmittel in mehrere Schichten Papier gewickelt und an einem kühlen Ort gelagert werden. Auf diese Weise behalten diese für längere Zeit eine niedriger Temperatur.
- Versetzen Sie den Thermostat in Position **OFF/0**, trennen das Gerät vom Stromnetz und lassen die Tür geöffnet, bis es zu einem völligen Abtauen kommt.
- Möchten Sie das Abtauen beschleunigen, platzieren Sie in den Gefrierteil einen ggf. mehrere Behälter mit heißem Wasser.
- Trocknen Sie den Innenbereich sorgfältig mit einem sauberen Tuch oder einem Schwamm ab.
- Sobald Sie mit dem Abtauen fertig sind, geben Sie die Lebensmittel zurück in den Gefrierschrank und drehen den Thermostat auf Maximum. Denken Sie daran, dass die Lebensmittel möglichst bald verzehrt werden sollten.

Auswechseln der Kühlschranksbirne

Wurden die Produkte mit LED-Dioden ausgestattet, sollten diese oder deren Gehäuse niemals vom Kunden selbst demontiert werden. Wenden Sie sich an Ihren Ansprechpartner im Kundenservice.

Für Modelle mit Glühbirne*



1. Trennen Sie das Gerät vom Stromnetz.
2. Drücken Sie die Hacken auf den Seiten des oberen Deckels und nehmen die Abdeckung ab.
3. Ersetzen Sie die defekte Kühlschranksbirne mit einer neuen mit maximal 15 W.
4. Setzen Sie die Abdeckung auf und schließen das Gerät nach 5 Minuten an das Stromnetz an.

Für Modelle mit LED-Beleuchtung*

Ersetzen Sie die LED-Beleuchtung nicht selbst. Wenden Sie sich an Ihren Ansprechpartner im Kundenservice.

* unterscheidet sich je nach Gerätemodell - siehe Merkblatt

Änderung der Öffnungsrichtung der Tür

Möchten Sie die Öffnungsrichtung der Tür ändern, sollten Sie sich mit einem Wartungstechniker beraten.

PROBLEMBEHEBUNG

Sollte der Gefrierschrank nicht richtig arbeiten, empfehlen wir vor dem Kontaktieren eines Wartungstechnikers folgendes zu überprüfen:

Kühlschrank funktioniert nicht

Überprüfen Sie, ob:

- die Stromzufuhr nicht unterbrochen ist,
- der Hauptschütz nicht ausgeschaltet ist,
- der Thermostat nicht in Position **OFF/0** versetzt ist,
- die Steckdose in Ordnung ist. Überprüfen Sie die Steckdose, indem Sie ein anderes Gerät anschließen, von dem Sie wissen, dass es funktioniert.

Unzureichende Kühlleistung

Überprüfen Sie, ob:

- nicht allzu viele Lebensmittel in den Kühlschrank gegeben wurden,
- der Thermostat in Position **MIN/1** versetzt wurde (falls ja, stellen Sie einen höheren Wert ein)
- die Tür richtig geschlossen ist,
- kein Staub auf dem Kondensator liegt,
- auf der Rückwand und auf den Seitenwänden Freiraum für eine Luftzirkulation gewährleistet wurde.

Der Kühlschrank ist laut

Das Kühlgas, das im Kühlkreislauf zirkuliert, kann gewisse brodelnde Geräusche abgeben, obgleich der Kompressor außer Betrieb ist. Seien Sie unbesorgt, das ist ganz normal. Bei anderen Geräuschen bitte überprüfen, ob:

- das Gerät waagrecht steht,
- nichts die Rückseite berührt,
- einige Teile des Kühlschranks vibrieren.

Im unteren Teil des Kühlschranks sammelt sich Wasser

Überprüfen Sie ob:

- Die Öffnung, in die das Tauwasser abgeleitet wird, nicht verstopft ist (benutzen Sie den Stöpsel und reinigen die Öffnung).

VERWERTUNG UND ENTSORGUNG VON ABFALL

Verpackungspapier und Wellenpappe an einer Sammelstelle abgeben. Verpackungsfolie, PET-Beutel und Kunststoffteile gehören in Sammelcontainer für Kunststoff.

ENTSORGUNG DES PRODUKTES NACH ABLAUF DER LEBENSDAUER

Entsorgung von gebrauchten elektrischen und elektronischen Geräten (gültig in den Mitgliedsländern der EU und anderen europäischen Ländern, in denen das Abfalltrennungssystem eingeführt ist)

Das abgebildete Symbol auf dem Produkt oder auf der Verpackung weist darauf hin, dass das Produkt nicht in den Hausmüll gehört. Das Produkt sollte an einem Ort abgegeben werden, der für die Wiederverwertung von elektrischen und elektronischen Geräten bestimmt ist. Eine richtige Entsorgung des Produktes beugt negativen Einflüssen auf die menschliche Gesundheit und die Umwelt vor. Die Wiederverwertung trägt zum Schutz der Naturressourcen bei. Weitere Informationen über die Wiederverwertung des Produktes erhalten Sie über das Gemeindeamt, eine Organisation, die sich mit der Behandlung von Hausmüll befasst, oder die Verkaufsstelle, an der das Produkt erworben wurde.



08/05

Dieses Produkt erfüllt sämtliche Anforderungen der EU-Richtlinien über die elektromagnetische Kompatibilität und elektrische Sicherheit. Dieses Produkt erfüllt sämtliche Anforderungen bezüglich der Problematik von Schwermetallen, die in Elektrogeräten enthalten sind.



Änderungen des Textes und der technischen Parameter sind vorbehalten.

Ausgediente Kühl- und Gefrierschränke enthalten Isoliergase und ein Kühlmedium, die entsorgt werden müssen. Sie sollten die Abfallentsorgung einer zuständigen Behörde anvertrauen. Bei Fragen oder Unklarheiten sollten Sie die lokale Behörde oder Ihren Händler kontaktieren. Vergewissern Sie sich, dass die Kühlmittelleitungen, die durch den zuständigen Abfallentsorgungsdienst entsorgt werden, nicht beschädigt sind.

- Wenden Sie sich an den professionellen Service für dieses Produkt. Sämtliche Informationen sind dem beigelegten Garantieschein oder der Website www.ecg-electro.eu zu entnehmen.
- Die Garantie für dieses Produkt beträgt 24 Monate.
- Die in der EU 2019/2019 angeführten Ersatzteile sind für 7 Jahre verfügbar.
- Sie können auf die Produktdatenbank zugreifen, der die Informationen zu diesem Produkt gemäß EU 2019/2016 zu entnehmen sind, indem Sie den QR-Code auf dem Energielabel scannen.

BEZPEČNOSTNÍ POKYNY

Čtete pozorně a uschovejte pro budoucí potřebu!

Varování: Bezpečnostní opatření a pokyny uvedené v tomto návodu nezahrnují všechny možné podmínky a situace, ke kterým může dojít. Uživatel musí pochopit, že faktorem, který nelze zabudovat do žádného z výrobků, je zdravý rozum, opatrnost a péče. Tyto faktory tedy musí být zajištěny uživatelem/uživateli používajícími a obsluhujícími toto zařízení. Neodpovídáme za škody způsobené během přepravy, nesprávným používáním, kolísáním napětí nebo změnou či úpravou jakékoliv části zařízení. Aby nedošlo ke vzniku požáru nebo k úrazu elektrickým proudem, měla by být při používání elektrických zařízení vždy dodržována základní opatření, včetně těch následujících:

1. Ujistěte se, že napětí ve vaší zásuvce odpovídá napětí uvedenému na štítku zařízení a že je zásuvka řádně uzemněná. Zásuvka musí být instalována podle platné elektrotechnické normy ČSN.
2. Nepoužívejte přístroj, pokud je přívodní kabel poškozen. **Veškeré opravy nebo seřízení včetně výměny napájecího přívodu svěřte odbornému servisu! Nedemontujte ochranné kryty zařízení, hrozí nebezpečí úrazu elektrickým proudem!**
3. Chraňte zařízení před přímým kontaktem s vodou a jinými tekutinami, aby nedošlo k případnému úrazu elektrickým proudem. Neponořujte přívodní kabel nebo vidlici do vody!
4. Spotřebič nepoužívejte ve vlhkém prostředí nebo v prostorách, kde může dojít k úniku plynu či ke kontaktu s výbušnou atmosférou. Nedotýkejte se přívodního kabelu nebo přístroje mokřýma rukama. Hrozí nebezpečí úrazu elektrickým proudem.
5. Po instalaci přístroje musí vidlice napájecího přívodu zůstat snadno dostupná. Kabel nezkracujte a nepoužívejte rozbočky v elektrických zásuvkách. Napájecí přívod se nesmí dotýkat horkých částí ani vést přes ostré hrany.
6. Spotřebič nezapínejte a nevypínejte zasunutím nebo vytažením vidlice napájecího přívodu. Vidlici nevytahujte ze zásuvky taháním za kabel. Kabel odpojte ze zásuvky uchopením za vidlici.

7. Nikdy nic nezasouvejte do otvorů přístroje, na přístroj nepokládejte žádné předměty (např. vázy, hrnky apod.). Větrací otvory nikdy nezakrývejte!
8. Ve spotřebiči nepoužívejte další elektrické přístroje a mrazicí zařízení.
9. Pokud má tento spotřebič nahradit vysloužilé zařízení se zámkem, vyřadte z provozu zámek vysloužilého spotřebiče, aby se děti nemohly uzavřít uvnitř (např. při hře).
10. Nepoužívejte mechanická zařízení ani jiné nepřírozené prostředky na urychlení odmražení. Nepoužívejte elektrické spotřebiče v prostoru na uskladnění potravin. Chraňte chladicí okruh spotřebiče před poškozením.
11. Nedovolte dětem, aby si se zařízením hrály. Též nesmí sedět na policích nebo se věšet na dveře spotřebiče.
12. Pro odstranění ledu v chladničce nepoužívejte ostré kovové předměty, neboť mohou poškodit mrazicí obvody a způsobit neopravitelné škody na zařízení. V případě potřeby použijte škrabku z plastu.
13. Ve spotřebiči neukládejte výbušné látky, např. spreje s hnacím plynem.
14. Neumísťujte obaly (skleněné láhve nebo konzervy) s kapalinami do mrazničky. Mohlo by dojít k roztržení nádoby.
15. Láhve obsahující tekutiny s vysokým obsahem alkoholu musí být při ukládání řádně uzavřené a postavené vertikálně.
16. Spotřebič nevystavujte přímému slunečnímu záření, nepoužívejte venku a nevystavujte dešti.
17. Nedotýkejte se chladicích povrchů, zvláště vlhkýma rukama. Hrozí nebezpečí poranění.
18. Nekonzumujte ledovou námrazu odstraněnou z mrazničky.
19. Tento spotřebič je určen pro použití v domácnosti a podobných prostorech jako jsou:
 - kuchyňské kouty v obchodech, kancelářích a ostatních pracovištích
 - spotřebiče používané hosty v hotelích, motelech a jiných obytných oblastech
 - spotřebiče používané v podnicích zajišťujících nocleh se snídaní

20. Tento spotřebič mohou používat děti ve věku 8 let a starší a osoby se sníženými fyzickými, smyslovými nebo mentálními schopnostmi nebo nedostatkem zkušeností a znalostí, pokud jsou pod dozorem nebo byly poučeny o používání spotřebiče bezpečným způsobem a rozumí případným nebezpečím. Děti si se spotřebičem nesmějí hrát. Čištění a údržbu prováděnou uživatelem nesmějí provádět děti bez dozoru.
21. Děti ve věku 3 až 8 let mohou vkládat a vyjímat potraviny z chladicích spotřebičů.
22. Na děti by se mělo dohlížet, aby se zajistilo, že si nebudou se spotřebičem hrát.
23. Výrobce nenese žádnou odpovědnost za škody vzniklé nesprávným uzemněním/použitím.
24. Větrací otvory v krytu spotřebiče nebo v jeho konstrukci je nutno udržovat volné.

Aby se zabránilo kontaminaci potravin, dodržovat, prosím, následující doporučení:

- Otevření dvířek na dlouhou dobu může způsobit výrazné zvýšení teploty v prostorách spotřebiče.
- Pravidelně čistit povrchy, které mohou přijít do styku s potravinami a přístupné drenážní systémy.
- Vyčistit vodní nádobky, pokud nebyly používány po dobu 48 h; propláchnout vodní systém připojený k přívodu vody, pokud voda neprotékala po dobu 5 dnů.
- Syrové maso a ryby ukládat do chladničky ve vhodných obalech, tak aby nebyly v kontaktu s jinými potravinami nebo na ně nekapaly.
- Dvuhvězdičkové mrazicí prostory jsou vhodné k ukládání předem zmrazených potravin, uložení nebo k výrobě zmrzliny a výrobě kostek ledu.
- Jedno, dvou a tříhvězdičkové prostory nejsou vhodné pro mražení čerstvých potravin.

- Pokud se chladicí spotřebič zanechává prázdný po dlouhou dobu, vypnout ho, odmrazit, vyčistit, vysušit a nechat dvířka otevřená, aby se zabránilo tvorbě plísní uvnitř spotřebiče.

RIZIKO POŽÁRU!



VÝSTRAHA: NEBEZPEČÍ OHNĚ / HOŘLAVÉ MATERIÁLY

Tento spotřebič obsahuje R600a (chladicí médium izobutan), přírodní (zemní) plyn, který je velice šetrný k životnímu prostředí, avšak hořlavý. Při přepravě a instalaci zařízení je nutné zajistit, aby žádná z částí chladicího obvodu nebyla poškozena. V případě poškození zamezte hoření a prostory, ve kterých je zařízení umístěno, několik minut větrejte. Chladicí systém obsahuje chladivo pod vysokým tlakem. Nemanipulujte se systémem. Musí být opravován pouze kvalifikovanou osobou.

Při výměně osvětlení vnitřního prostoru chladničky vždy odpojte chladničku od sítě – jinak vzniká nebezpečí úrazu elektrickým proudem.

• Jestliže je pro vás výměna vnitřního osvětlení příliš složitá, obraťte se na servisní zástupce. • Pokud jsou produkty vybaveny LED diodami, neprovádějte sami demontáž krytu osvětlení a LED diody. – obraťte se na servisní zástupce.

VÝMĚNA LED ŽÁROVKY: Když přestanou fungovat vnitřní nebo vnější indikátory LED, nedemontujte kryt indikátoru ani indikátor sami. obraťte se na servisní zástupce.

Výměnu LED osvětlení neprovádějte sami. obraťte se na servisní zástupce.

Popis a informace o spotřebiči se mohou lišit podle typu modelu. Tento spotřebič není určen k použití jako vestavěné zařízení.

POPIS

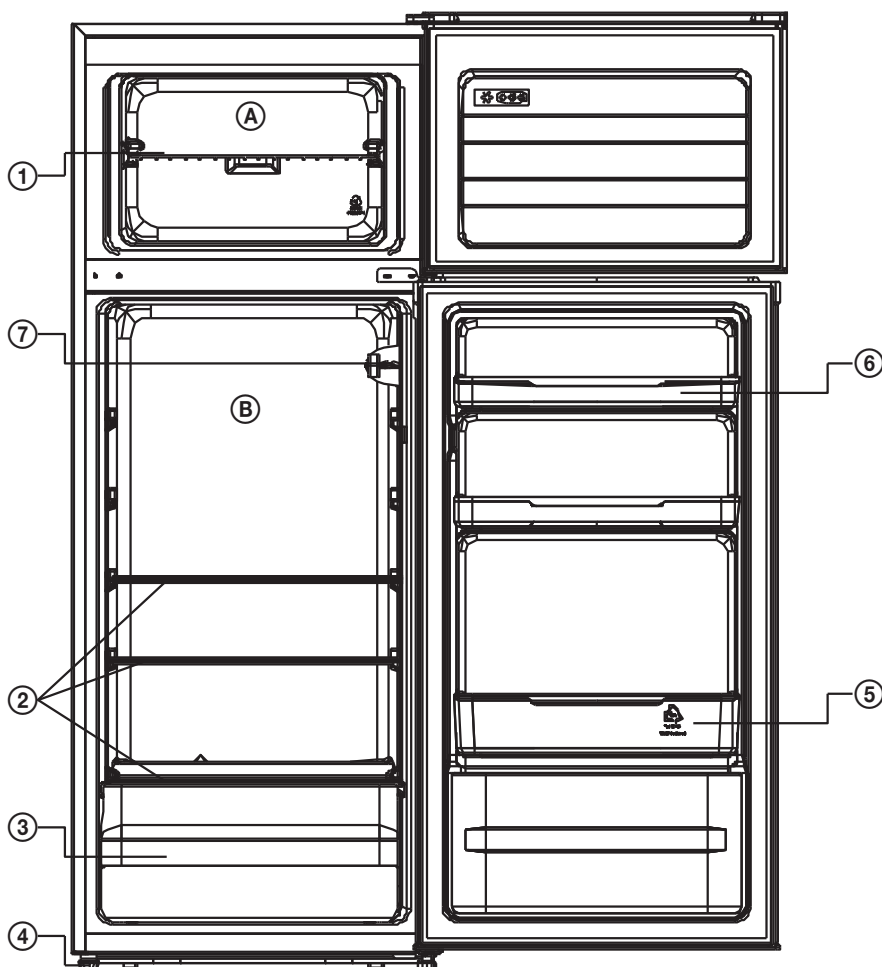
Tento popis slouží jen pro informaci o součástkách spotřebiče.

Jednotlivé součásti se mohou lišit podle modelu spotřebiče.

- A) Mraznička
B) Chladnička

1. Police mrazničky
2. Police chladničky
3. Zásuvka na ukládání čerstvé zeleniny a ovoce
4. Výškově nastavitelné nožičky
5. Dvevní přihrádka na lahve
6. Dvevní přihrádka
7. Termostat

Obrázek je pouze ilustrační. Liší se podle konkrétního modelu spotřebiče - viz. informační list

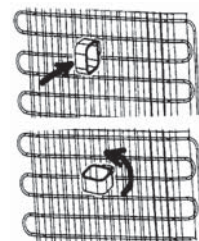


INSTALACE A ZAPNUTÍ ZAŘÍZENÍ

- Pro správnou instalaci a zapnutí zařízení je možné kontaktovat servisní techniky.
- Před připojením ke zdroji energie se ujistěte, že napětí uvedené na štítku odpovídá napětí v zástrčce / napětí elektrického systému v budově.
- Po umístění zařízení musí být zásuvka přístupná.

Umístění

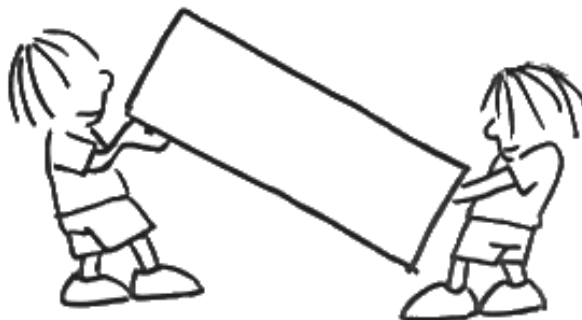
- Umístěte chladničku dále od zdrojů tepla a v dobře větrané poloze. Chladnička by měla být vzdálena minimálně **50 cm** od radiátorů, plynových sporáků a dalších tepelných zdrojů a **5 cm** od elektrických sporáků.
- Nad zařízením nechejte volný prostor minimálně **15 cm**.
- Ke kondenzátoru na zadní stěně chladničky připevněte plastové distanční tělísko, aby nedocházelo k opření chladničky o stěnu a tím ke snížení výkonu.
- Na zařízení neumísťujte těžké předměty.
- Pokud je zařízení instalováno vedle jiné chladničky nebo mrazničky, dodržujte minimální vzdálenost **2 cm**, abyste zabránili kondenzaci par.
- Zařízení musí stát pevně a ve vodorovné poloze. Pro vyrovnání použijte dvě přední vyrovnávací patky.



PŘEPRAVA A PŘEMÍSTĚNÍ

Přeprava a přemístění

- Původní obal a pěnový polystyrén (PS) uschovejte pro případ potřeby.
- Při přepravě zařízení zajistěte širokým páskem nebo silným lanem a dodržujte instrukce uvedené na obalu.
- Před přepravou nebo přemísťováním zajistěte nebo vyjměte veškeré pohyblivé předměty (tj. police, zásuvku na čerstvou zeleninu a ovoce).



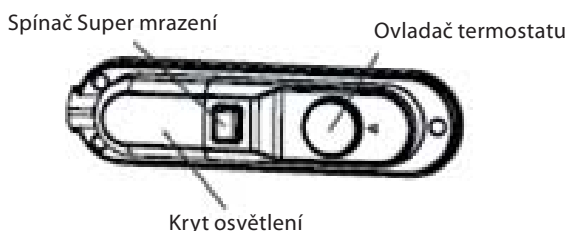
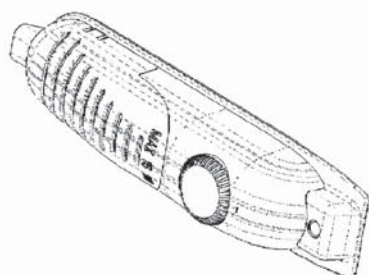
Před zapnutím

- Výrobek ponechejte v klidu minimálně 3 hodiny od chvíle, kdy jste ho dovezli domů.
- Při prvním zapnutí se může vyskytnout zápach. Ten zmizí poté, co začne zařízení chladit.



RŮZNÉ FUNKCE A MOŽNOSTI

Nastavení termostatu



Termostat mrazničky a chladničky automaticky reguluje vnitřní teplotu. Otáčením knoflíku z polohy **1** na **5** lze nastavit nižší teplotu.

Nastavení termostatu mrazničky a chladničky

- OFF/0:** Vypnuto
- MIN/1-2:** Pro krátkodobé uchovávání potravin v mrazničce (knoflík na hodnotu minimální až střední).
- MED/3-4:** Pro dlouhodobé uchovávání potravin v mrazničce (knoflík na střední hodnotu).
- MAX/5:** Pro mrazení čerstvých potravin. Po dosažení chladného stavu je nutné nastavit knoflík na předchozí pozici.
- Super mrazení*** Tento spínač se používá pro funkci super mrazení. Pro maximální kapacitu mrazení prosím tento spínač zapněte 24 hodin před vkládáním čerstvých potravin. Po vložení čerstvých potravin do mrazničky, obecně stačí, když spínač necháte v pozici ZAP. po dobu 24 hodin. Chcete-li šetřit energii, vypněte tento spínač po 24 hodinách od vložení čerstvých potravin.

* tato funkce se liší podle konkrétního modelu spotřebiče - viz. informační list

Zapnutí zařízení

- Při prvním zapnutí by zařízení mělo nepřetržitě pracovat alespoň 24 hodin, dokud nechladí na dostatečnou teplotu.
- V průběhu této doby neotevírejte dvířka tak často. Zařízení naplňte potravinami.
- Pokud zařízení vypnete nebo odpojíte ze zásuvky, je nutné před restartováním nebo opětovným zapnutím počkat alespoň 5 minut, aby nedošlo k poškození kompresoru.
- Vaše chladnička je navržena pro provoz v okolní teplotě uvedené v normách podle klimatických tříd uvedených na informačním štítku. Nedoporučujeme provozovat chladničku v prostředí, které nejsou v rozmezí uvedených hodnot z důvodu její účinnosti.

Klimatická třída a význam: viz informační list

T (tropická): Tato chladnička je určena k použití při okolní teplotě od 16 °C do 43 °C.

ST (subtropická): Tato chladnička je určena k použití při okolní teplotě od 16 °C do 38 °C.

N (normální): Tato chladnička je určena k použití při okolní teplotě od 16 °C do 32 °C.

SN (subnormální): Tato chladnička je určena k použití při okolní teplotě od 10 °C do 32 °C.

Klimatické třídy	Okolí
T	16 až 43°C
ST	16 až 38°C
N	16 až 32°C
SN	10 až 32°C

UKLÁDÁNÍ POTRAVIN

Chladicí prostor

- Pro redukci vlhkosti a následného namražení nikdy nekládejte do chladničky kapaliny v neutěsněných obalech. Námraza má tendenci se koncentrovat v nejchladnějších částech výparníku. Ukládání volných kapalin je příčinou pro častější odmrazování.
- Do chladničky nikdy nekládejte teplé potraviny. Ty by měly nejprve vychladnout při pokojové teplotě a následně být umístěny tak, aby byla zajištěna adekvátní cirkulace vzduchu v chladničce.
- Potraviny nebo obaly potravin by se neměly dotýkat zadní stěny chladničky, neboť by mohly přimrznout. Dvířka chladničky neotevírejte příliš často.
- Do chladničky lze umístit maso a očištěné ryby (zabalené v obalech nebo plastické fólii), které budete používat v průběhu 1–2 dnů.
- Ovoce a zeleninu můžete ukládat do části určenou pro čerstvou zeleninu a ovoce bez obalu.
- Za normálních pracovních podmínek postačí upravit nastavení teploty chladničky na +4 °C.
- Teplota chladicího oddílu by měla být v rozmezí 0–8°C, čerstvé potraviny jsou při teplotě pod 0 °C ledové a hnijí a při teplotě nad 8 °C se zvyšuje množství bakterií a potraviny se kazí.
- Nevkládejte do chladničky horká jídla, nechte je zchladnout na pokojovou teplotu.
- Horká jídla zvyšují teplotu chladničky a mohou způsobit otravu jídlem nebo zbytečné zkažení potravin.
- Maso, ryby a podobné potraviny by měly být skladovány v chilleru a zelenina v přihrádce na zeleninu (pokud je k dispozici).
- Aby se zabránilo křížové kontaminaci, neuchovávejte masné výrobky s ovocem a zeleninou.
- Potraviny v chladničce mají být uchovávány v uzavřených nádobách nebo v jiných vhodných obalech tak, aby do chladničky neuvolňovaly pachy a vlhkost.

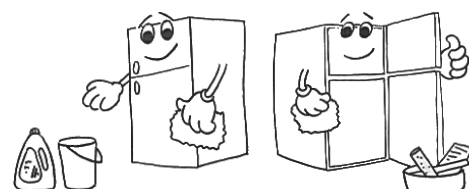
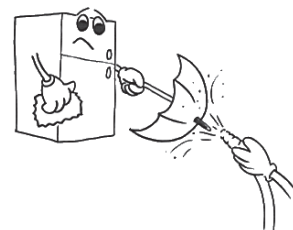
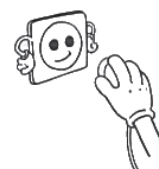
Mrazicí prostor

- Mraznička je určena pro skladování potravin zmrazených za velmi nízké teploty, dlouhodobé uchovávání zmrazených potravin a pro výrobu ledu.
- Poličky ve dveřích mrazničky používejte pouze pro skladování zmrazených potravin, nikoliv pro ukládání teplých potravin určených ke zmražení.
- Nedávejte vedle sebe čerstvé a zmražené potraviny. Může dojít k tání zmrazených potravin.

- Při mražení čerstvých potravin (například masa, ryb nebo sekaného masa) je rozdělte na části, které použijete najednou.
- Skladování zmražených potravin: na obalech bývají uvedeny pokyny, které je nutné dodržovat. V případě, že žádné informace nejsou uvedené, by se potraviny neměly skladovat déle než tři měsíce od data nákupu.
- Při nakupování zmražených potravin se ujistěte, že byly zmrazeny při vhodné teplotě a obal je neporušený.
- Zmražené potraviny by měly být přepravovány ve vhodných obalech, aby byla zachována jejich kvalita a měly by být vráceny na mrazicí plochy zařízení v co nejkratší době.
- Jestliže obal zmražených potravin vykazuje známky vlhkosti nebo abnormálního vyboulení, je pravděpodobné, že již dříve byly skladovány při nevhodné teplotě a obsah je zkažený.
- Doba skladování zmražených potravin závisí na pokojové teplotě, nastavení termostatu, frekvenci otevírání dvířek mrazničky, typu potravin a době nutné pro transport produktu z obchodu do domácnosti. Vždy dodržujte pokyny vytištěné na obalu a nikdy nepřekračujte maximální dobu skladování uvedenou na obalu.
- Abyste dosáhli ideální výkonnosti spotřebiče a maximální mrazicí kapacity, před tím, než vložíte čerstvé potraviny do mrazničky, chladničku na 24 hodin nastavte na 4 °C.
- Po vložení čerstvých potravin do mrazničky je obvykle změna nastavení na 2 °C na dobu 24 hodin dostačující. Po 24 hodinách můžete nastavení snížit, je-li to potřeba.

ČIŠTĚNÍ A ÚDRŽBA

- **Před čištěním odpojte zařízení od zdroje elektrické energie.**
- Nečistěte zařízení napouštěním vody.
- Chladnička i mraznička by měly být periodicky čistěny s použitím roztoku vlažné vody a jedlé sody.
- Příslušenství čistěte mýdlovou vodou zvlášť. Nepoužívejte myčku.
- Nepoužívejte abrazivní produkty, detergenty a mýdla. Po umytí vypláchněte čistou vodou a pečlivě vysušte. Po ukončení čištění znovu zasuňte zástrčku zařízení suchýma rukama do elektrické zásuvky.
- Minimálně jednou za rok očistěte kondenzátor (zadní část zařízení) pomocí metličky (koštěte). Zvýšíte tím produktivitu a uspoříte energii.

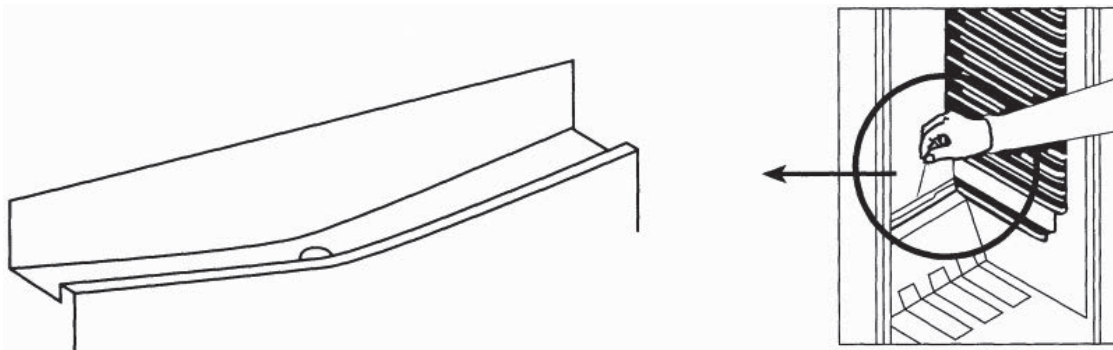


Doporučení

Pokud zařízení nepoužíváte delší dobu (například během letní dovolené), chladničku odpojte od zdroje elektrické energie, vyčistěte a ponechte dvířka otevřená. Zamezíte tím vzniku plísní a zápachu.

Odmrazování chladničky

- V části chladničky se děje odmrazování automaticky během provozu; voda stéká do odpařovacího kanálku a automaticky se vypařuje.
- Kanálek výparníku a otvor pro odvod vody (v zadní části police pro čerstvé potraviny) by měl být periodicky čistěn. Předejdete tím hromadění vody v dolní části.



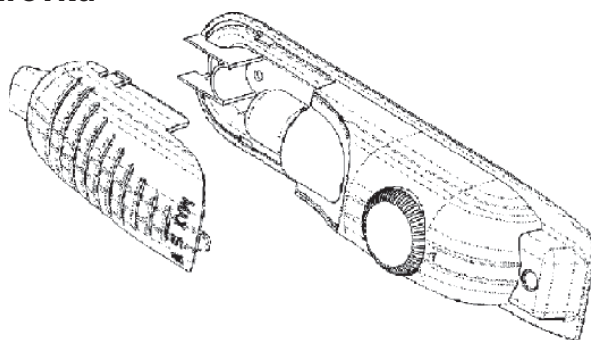
Odmrazování mrazničky

- Namrzlý led v mrazničce je nutné periodicky odstraňovat, minimálně 2× za rok.
- Pro odstranění ledu nepoužívejte ostré kovové předměty. Mohou prorazit obvod a způsobit neopravitelné škody na zařízení. Používejte plastickou škrabku.
- Odmrazování je nutné provádět, jestliže se na poličkách vytvoří námraza silnější než 5 mm.
- Den před rozmrazením nastavte termostat na pozici **MAX/5**, abyste potraviny zcela zmrazili.
- Během odmrazování by měly být zmrazené potraviny zabaleny do několika vrstev papíru a uskladněny na chladném místě. Tím udržíte nízkou teplotu potravin po dlouhou dobu.
- Nastavte termostat na pozici **OFF/0**, odpojte zařízení od elektrické energie a ponechejte dvířka otevřená dokud nedojde k úplnému odmrazení.
- Pro urychlení procesu odmrazování umístěte do mrazničky jednu nebo více nádob s horkou vodou.
- Vnitřek zařízení pečlivě vysušte pomocí čistého hadříku nebo houby.
- Po skončení odmrazování umístěte potraviny zpět do mrazáku, nastavte termostat na pozici max. a mějte na paměti, že je nutná jejich brzká konzumace.

Výměna žárovky v chladničce

Pokud jsou produkty vybaveny LED diodami, neprovádějte sami demontáž krytu osvětlení a LED diody. Obráťte se na servisní zástupce.

Pro modely, které mají žárovku*



1. Odpojte zařízení od zdroje energie.
2. Stiskněte háčky na stranách horní části krytu a sundejte kryt žárovky.
3. Nahradeťte vadnou žárovku novou o výkonu maximálně 15 W.
4. Nasadte kryt žárovky a po 5 minutách připojte zařízení ke zdroji energie.

Pro modely s LED osvětlením*

Výměnu LED osvětlení neprovádějte sami. Obráťte se na servisní zástupce.

* liší se podle konkrétního modelu spotřebiče - viz. informační list

Otočení směru otevírání dvířek

V případě, že potřebujete otočit směr otevírání dvířek, poradte se se servisním technikem.

ODSTRAŇOVÁNÍ PROBLÉMŮ

Jestliže chladnička nefunguje správně, dříve než zavoláte servisního technika, zkontrolujte přístroj podle následujících instrukcí:

Chladnička nefunguje

Zkontrolujte, zda:

- není přerušena dodávka elektrické energie,
- není vypnutý hlavní vypínač elektrického proudu,
- není termostat nastavený na pozici **OFF/0**,
- je v pořádku elektrická zásuvka. Pro kontrolu zapojte do stejné zásuvky jiné zařízení, o kterém víte, že funguje.

Výkon chladničky je malý

Zkontrolujte, zda:

- v zařízení není umístěno příliš mnoho potravin,
- je termostat nastavený na pozici **MIN/1** (pokud ano, nastavte termostat na vyšší hodnotu)
- jsou dvířka řádně dovřená,
- není prach na kondenzátoru,
- je podél zadní a bočních stěn dostatek místa pro cirkulaci vzduchu.

Chladnička je hlučná

Chladicí plyn, který cirkuluje v obvodu chladničky, může způsobovat mírný hluk (bublající zvuk) dokonce v případě, kdy kompresor není v chodu. Nedělejte si starosti, je to zcela normální. Pokud jsou tyto zvuky jiné, zkontrolujte, zda:

- je zařízení ve vodorovné poloze,
- se nic nedotýká zadní strany,
- části zařízení nevibrují.

V dolní části chladničky je voda

Zkontrolujte zda:

- Otvor pro odvádění vody z odmrazování není ucpaný (použijte zátku pro odvod vody z odmrazování a vyčistěte otvor).

VYUŽITÍ A LIKVIDACE ODPADU

Balící papír a vlnitá lepenka – odevzdat do sběrných surovin. Přebalová folie, PE sáčky, plastové díly – do sběrných kontejnerů na plasty.

LIKVIDACE VÝROBKU PO UKONČENÍ ŽIVOTNOSTI

Likvidace použitých elektrických a elektronických zařízení (platí v členských zemích EU a dalších evropských zemích se zavedeným systémem třídění odpadu)

Vyobrazený symbol na produktu nebo na obalu znamená, že s produktem by nemělo být nakládáno jako s domovním odpadem. Produkt odevzdejte na místo určené pro recyklaci elektrických a elektronických zařízení. Správnou likvidací produktu zabráníte negativním vlivům na lidské zdraví a životní prostředí. Recyklace materiálů přispívá k ochraně přírodních zdrojů. Více informací o recyklaci tohoto produktu Vám poskytne obecní úřad, organizace pro zpracování domovního odpadu nebo prodejní místo, kde jste produkt zakoupili.



08/05

Tento výrobek splňuje požadavky směrnic EU o elektromagnetické kompatibilitě a elektrické bezpečnosti. Tento výrobek splňuje požadavky z hlediska problematiky těžkých kovů v elektrozařízeních.



Změna textu a technických parametrů vyhrazena.

Staré chladničky a mrazničky obsahují izolační plyny a mrazicí médium, které je nutné zlikvidovat. Likvidaci odpadu svěřte kompetentní místní službě pro likvidaci odpadů. V případě nejasností kontaktujte místní úřad nebo prodejce. Ujistěte se, že trubky chladicí jednotky, které budou odvezeny příslušnou službou pro likvidaci odpadů, nejsou poškozené.

- Kontakt na odborný servis tohoto produktu naleznete v příloženém Záručním listu nebo na stránkách www.ecg-electro.eu.
- Záruka na tento výrobek je 24 měsíců.
- Náhradní díly uvedené v EU 2019/2019 jsou k dispozici po dobu 7 let.
- Přístup do databáze produktů, kde jsou uloženy informace k tomuto výrobku dle EU 2019/2016, můžete získat načtením QR kódu na energetickém štítku.

SIGURNOSNE UPUTE

Pročitajte pažljivo i sačuvajte za buduću uporabu!

Pozor: Mjere opreza i upute ne pokrivaju sve moguće uvjete i opasnosti do kojih može doći. Korisnik treba biti svjestan da faktore sigurnosti, kao što su oprezno, brižno i razumno rukovanje, nije moguće ugraditi u proizvod. Zbog toga sâm korisnik ovog uređaja treba osigurati prisutnost tih sigurnosnih faktora. Nismo odgovorni za štete nastale prijevozom, nepravilnim korištenjem, promjenama napona te modificiranjem ili zamjenom bilo kojeg dijela uređaja. Kako ne bi došlo do požara ili ozljede od udara električne struje, pri uporabi električnih uređaja uvijek se trebaju poštovati temeljne sigurnosne upute među kojima su i sljedeće:

1. Provjerite odgovara li napon struje na vašoj utičnici onome koji je naveden na pločici vašeg uređaja te je li utičnica pravilno uzemljena. Utičnica mora biti ugrađena prema zahtjevima nacionalnih elektrotehničkih normi.
2. Ne upotrebljavajte uređaj ako je kabel za napajanje oštećen. **Bilo kakav popravak ili podešavanje uređaja, u što ulazi i zamjena kabela, mora biti povjerena stručnom servisu! Ne skidajte sigurnosni poklopac uređaja kako ne bi došlo do opasnosti od električnog udara!**
3. Uređaj zaštitite od doticaja s vodom ili drugim tekućinama kako ne bi došlo do udara električne struje. Ne uranjajte ni napojni kabel niti utičnicu u vodu!
4. Nemojte uređaj koristiti u vlažnim prostorima ili u prostorima u kojima može doći do istjecanja gorivih plinova ili stvaranja eksplozivne atmosfere. Ne dotičite kabel za napajanje niti uređaj mokrim rukama. Postoji opasnost od električnog udara.
5. Nakon ugradnje uređaja njegov utikač mora biti lako dostupan. Nemojte skraćivati kabel i nemojte koristiti adaptere za električne utičnice. Kabel se mora pružati na način da ne dolazi u dodir s vrućim predmetima i ne prelazi preko oštih rubova.

6. Nemojte uređaj ni uključivati ni isključivati uključivanjem ili isključivanjem utikača u i iz utičnice. Ne izvlačite utikač iz utičnice povlačenjem za kabel. Kabel odspojite iz mreže tako što ćete primiti utikač i izvući ga.
7. Nikada niti jedan predmet ne stavljajte u otvore uređaja, a na njega nemojte stavljati nikakve predmete (kao što su vaze, zdjele i slično). Nikada ne zatvarajte ventilacijske otvore!
8. U zamrzivaču nemojte koristiti druge električne uređaje i zamrzivače.
9. U slučaju da ovaj uređaj zamjenjuje odbačeni uređaj koji je imao bravu, uklonite s odbačenog uređaja bravu kako se ne bi dogodilo da se djeca (npr. u igri) slučajno zatvore u njega.
10. Nemojte koristiti mehaničke naprave niti druga umjetna pomagala za ubrzavanje odmrzavanja. U prostoru za spremanje hrane nemojte koristiti električna trošila. Pazite da se rashladno kolo uređaja ne ošteti.
11. Ne dopustite djeci da se igraju s uređajem. Također nemojte sjediti na policama ili oslanjati se na vrata uređaja.
12. Za odstranjivanje leda u hladnjaku nemojte koristiti oštre metalne predmete jer oni mogu oštetiti rashladne cijevi i uzrokovati nepopravljiv kvar uređaja. Bude li pomoć nužna, koristite plastični strugač.
13. U uređaj ne odlažite predmete koji sadrže eksplozivne plinove, kao što su sprejevi pod tlakom.
14. U zamrzivač ne stavljajte posude s tekućinama (npr. staklene boce ili konzerve). To može dovesti do pucanja posuda.
15. Tekućine koje sadrže visoki postotak alkohola moraju biti čvrsto zatvorene i postavljene okomito.
16. Ne izlažite uređaj izravnim sunčevim zrakama, ne upotrebljavajte ga na otvorenom i ne ostavljajte ga na kiši.
17. Ne dotičite površine rashladnih tijela, a posebno ih ne dotičite mokrim rukama. Postoji opasnost od ozljeda.
18. Ne jedite naslage leda koji se stvorio u zamrzivaču.
19. Ovaj proizvod namijenjen je za korištenje u kućanstvu i sličnim prostorima kao što su:

- kuhinje u tvrtkama, uredima i u drugim sličnim radnim okruženjima
 - – prostorije koje su na raspolaganju gostima hotela, motela i drugih smještajnih objekata
 - – prostorije koje se koriste u objektima koji nude noćenje s doručkom
20. Djeca starosti od 8 godina i više, osobe smanjenih fizičkih, osjetilnih ili umnih sposobnosti ili osobe s nedostatkom iskustva smiju koristiti ovaj uređaj samo ako su pod nadzorom ili ih je iskusnija osoba uputila u siguran način korištenja te razumiju sve opasnosti povezane s tim korištenjem. Djeca se ne smiju igrati ovim uređajem. Poslovi čišćenja i održavanja koje obavlja korisnik ne smiju se povjeriti djeci bez nadzora.
21. Djeca između 3 i 8 godina smiju sami stavljati namirnice u hladnjak i iz njega ih vaditi.
22. Vršite nadzor nad djecom kako biste bili sigurni da se ne igraju s uređajem.
23. Proizvođač ne odgovara za bilo kakvu štetu koja bi bila prouzročena nepravilnim uzemljenjem/korištenjem.
24. Ventilacijski otvori na poklopcu uređaja ili u njegovoj konstrukciji moraju biti slobodni.

Kako bi se osiguralo da se namirnice neće kontaminirati, molimo vas da se pridržavate sljedećih uputa:

- Otvorena vrata mogu vremenom prouzročiti značajno povišenje temperature u unutrašnjosti uređaja.
- Redovno čistite one površine koje mogu doći u dodir s namirnicama i one dijelove za odvodnju koji su vam dostupni.
- Ako je niste koristili 48 sati, ispraznite posudicu za vodu, a sustav napajanja vodom isperite ako njime nije tekla voda pet dana ili više.
- Sirovo meso i ribu u hladnjak stavljajte isključivo u odgovarajućim pakiranjima tako da ne bi došli u dodir s drugim namirnicama ili da na njih ne bi kapali.

- Pretinci za zamrzavanje s dvije zvjezdice prikladni su za odlaganje prethodno zamrznutih namirnica, pripremi u čuvanje sladoleda i za zaleđivanje kockica leda.
- Pretinci s jednom, dvije ili tri zvjezdice nisu prikladni za zamrzavanje svježih namirnica.
- Ako hladnjak ostavljate praznim dulje vrijeme, trebate ga isključiti, odmrznuti, osušiti i vrata ostaviti otvorena kako se u unutrašnjosti ne bi formirala plijesan.

OPASNOST OD POŽARA!



POZOR: OPASNOST OD POŽARA – ZAPALJIVE TVARI!

Ovaj uređaj sadrži R600a (rashladni medij izobutan), prirodni (zemni) plin koji je vrlo siguran po okoliš, ali je lako zapaljiv. Pri transportu i ugradnji uređaja potrebno je osigurati da ni jedan dio rashladnog sustava ne bude oštećen. Dođe li do oštećenja, osigurajte da u prostoriji ne dođe do otvorenog plamena ili iskrenja i provjetrite je nekoliko minuta.

Sustav hlađenja sadrži rashladno sredstvo visokog tlaka. Nemojte manipulirati sustavom. Popravlja ga samo kvalificirana osoba.

Kada mijenjate žarulju u unutrašnjosti prostora za hlađenje uvijek odvojite hladnjak od mreže jer biste time izazvali opasnost od udara električnom energijom. • Ako zamjenu žaruljice za unutrašnje osvjetljenje smatrate složenim postupkom, obratite se ovlaštenom servisu. • Ako je uređaj opremljen LED diodama, nemojte samostalno skidati poklopac niti uklanjati diode. – obratite se ovlaštenom zastupniku.

ZAMJENA LED ŽARULJICA: Ako unutrašnji ili vanjski LED pokazivači ne rade, nemojte sami uklanjati njihove poklopce ili sâme pokazivače. Obratite se ovlaštenom zastupniku.

Nemojte sami zamijeniti LED rasvjetu. Obratite se ovlaštenom zastupniku.

Opis i informacije uređaja mogu se razlikovati ovisno o vrsti modela. Ovaj uređaj nije namijenjen za uporabu kao ugrađeni uređaj.

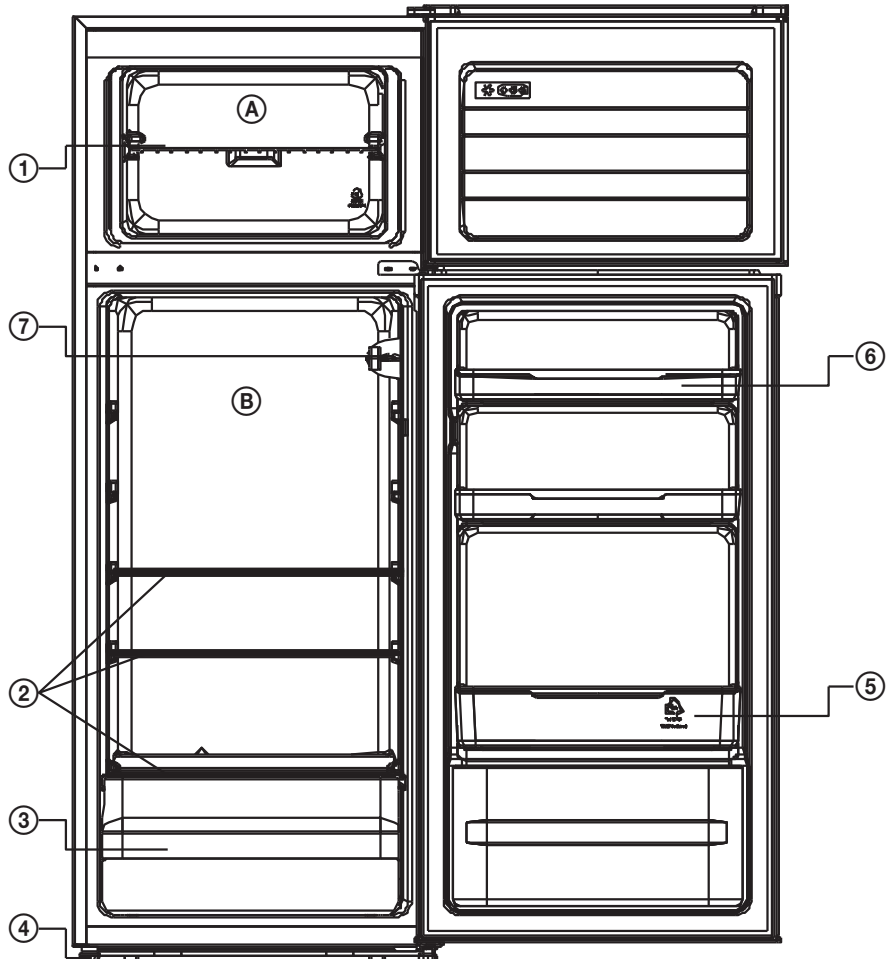
OPIS

Svrha ovog opisa je samo informirati vas o dijelovima ovog zamrzivača. Pojedini dijelovi mogu se razlikovati ovisno o modelu uređaja.

- A) Zamrzivač
- B) Hladnjak

1. Police zamrzivača
2. Police hladnjaka
3. Ladica za čuvanje svježeg voća i povrća
4. Podesive nožice
5. Pretinac za boce u vratima
6. Ladice u vratima
7. Termostat

Slika je samo za ilustraciju. Razlikuje se prema specifičnom modelu uređaja - pogledajte informativni list

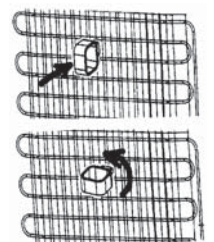


UGRADNJA I POKRETANJE

- Za pravilnu ugradnju i pokretanje uređaja možete se obratiti tehničaru servisa.
- Prije nego uređaj priključite u električnu mrežu, provjerite odgovara li napon vaše mreže naponu koji je naveden na natpisnoj ploči uređaja.
- Utičnicu trebate tako odabrati da je dostupna za vrijeme rada uređaja.

Smještaj

- Hladnjak postavite na dobro provjetreno mjesto udaljeno od izvora topline. Hladnjak bi trebao biti udaljen najmanje **50 cm** od radijatora, plinskih štednjaka i drugih izvora topline i **5 cm** od električnih štednjaka.
- Neka nad uređajem ostane najmanje **15 cm** slobodnog prostora.
- Uz kondenzator na poleđini hladnjaka pričvrstite plastične odstoynike koji će osigurati da se hladnjak ne nasloni na zid i tako se smanji učinak.
- Nemojte stavljati teške predmete na uređaj.
- Ako je uređaj postavljen pored drugog hladnjaka ili zamrzivača neka između njih bude najmanje **2 cm** prostora kako biste onemogućili kondenzaciju.

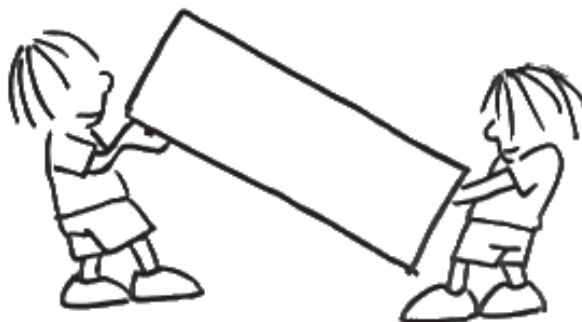


- Uređaj mora biti stabilan i vodoravan. Podesivim stopicama s prednje strane izravnajte uređaj.

TRANSPORT I PRESELJENJE

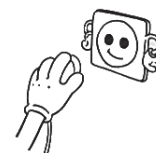
Transport i preseljenje

- Originalnu ambalažu i ekspanzirani polistiren ("stiropor") sačuvajte za slučaj potrebe.
- Prilikom transporta uređaja pripremite široku gurtu ili jak konopac i postupite po uputama na pakiranju.
- Prije nego selite ili premještate uređaj svakako izvadite sve nepričvršćene predmete (t.j. police, ladice za svježe povrće i voće i drugo).



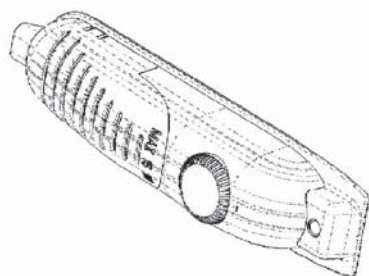
Prije uključivanja

- Uređaj ostavite da mirno stoji najmanje 3 sata nakon dopreme.
- Nakon prvog uključivanja može se osjetiti neugodan miris. On će nestati nakon što uređaj počne hladiti.



RAZNE FUNKCIJE I MOGUĆNOSTI

Podešavanje termostata



Termostat zamrzivača i hladnjaka automatski regulira unutrašnju temperaturu. Okretanjem kotačića s položaja **1** na položaj **5** možete odrediti nižu temperaturu.

Postavke termostata hladnjaka i zamrzivača

- OFF 0:** Isključeno
- MIN/1-2:** Za kratkotrajno čuvanje namirnica u zamrzivaču (kotačić je postavljen na minimalnu do srednju razinu).
- MED/3-4:** Za dugotrajno čuvanje namirnica u zamrzivaču (kotačić je postavljen na srednju razinu).
- MAX/5:** Za zamrzavanje svježih namirnica. Nakon što je rashlađivanje završeno, obavezno je kotačić vratiti na prethodni položaj.
- Super zamrzavanje*** Ovaj prekidač se koristi za funkciju super zamrzavanja. Za maksimalni kapacitet zamrzavanja, uključite ovaj prekidač 24 sata prije punjenja svježih namirnica. Nakon stavljanja svježih namirnica u zamrzivač, općenito je dovoljno ostaviti prekidač u položaju ON 24 sata. Kako biste uštedjeli energiju, isključite ovaj prekidač 24 sata nakon ulaganja svježe hrane.

* funkcija varira ovisno o specifičnom modelu uređaja - pogledajte informativni list

Uključivanje uređaja

- Kod prvog uključivanja uređaj bi trebao neprestano raditi 24 sata dok ne postigne dovoljno nisku temperaturu.
- U tom razdoblju nastojte ne otvarati vrata. Postavite namirnice u uređaj.
- Ako je uređaj bio isključen ili je utikač bio izvučen iz utičnice, nužno je pričekati 5 minuta prije ponovnog pokretanja ili uključivanja kako ne bi došlo do oštećenja kompresora.
- Vaš hladnjak je prilagođen radu u temperaturama okoline koje odgovaraju klimatskim razredima navedenima u natpisnoj pločici. Ne preporučamo korištenje hladnjaka u prostoru koji ne odgovara navedenim vrijednostima jer bi to smanjilo njegov učinak.

Klimatska klasa i relevantnost: vidi informativni list

T (tropiski): Ovaj hladnjak namijenjen je uporabi na sobnim temperaturama između 16 °C i 43 °C.

ST (suptropski): Ovaj hladnjak namijenjen je uporabi na sobnim temperaturama između 16 °C i 38 °C.

N (normalno): Ovaj hladnjak namijenjen je uporabi na sobnim temperaturama između 16 °C i 32 °C.

SN (subnormalno): Ovaj hladnjak namijenjen je uporabi na sobnim temperaturama između 10 °C i 32 °C.

Klimatski razred	Okolina
T	16 – 43 °C
ST	16 – 38 °C
N	16 – 32 °C
SN	10 – 32 °C

ČUVANJE NAMIRNICA

Prostor hladnjaka

- Kako biste smanjili vlagu u zamrzivaču i nastajanje naslaga leda, nikad nemojte tekućine stavljati otvorene u zamrzivač. Led ima sklonost koncentrirati se u najhladnijim dijelovima isparivača. Odlaganje otvorenih tekućina uzrok je češćem odmrzavanju.
- U hladnjak nikad ne stavljajte toplu hranu. Takvu biste hranu trebali prvo ostaviti da se ohladi na sobnu temperaturu, a zatim je postaviti tako da bude osigurana prikladna cirkulacija zraka oko nje.
- Hrana ili njezina ambalaža ne bi trebali doticati poledinu prostora hladnjaka jer bi tako moglo doći do zamrzavanja. Ne otvarajte vrata hladnjaka prečesto.
- U hladnjaku čuvajte samo meso i očišćenu ribu, zapakirane ili u plastičnoj foliji, koje ćete iskoristiti u roku od 1–2 dana.
- Voće bez ambalaže i povrće možete odlagati u dio namijenjen za to.
- U normalnim radnim uvjetima dovoljno je podesiti temperaturu hladnjaka na +4 °C.
- Temperatura rashladnog odjeljka treba biti u rasponu od 0 do 8 °C, svježa hrana se smrzava i trune na temperaturama ispod 0 °C, bakterije se povećavaju, a hrana se kvari na temperaturama iznad 8 °C.
- Nemojte hladiti toplu hranu, ostavite je da se ohladi na sobnu temperaturu.
- Vruća hrana povećava temperaturu hladnjaka i može uzrokovati trovanje hranom ili nepotrebno kvarenje hrane.
- Meso, ribu i slične namirnice treba čuvati u hladnjaku i povrću u odjeljku za povrće (ako je dostupno).
- Kako biste izbjegli unakrsnu kontaminaciju, ne skladištite mesne proizvode s voćem i povrćem.
- Hranu treba čuvati u hladnjaku u zatvorenim spremnicima ili drugom odgovarajućem pakiranju kako ne bi došlo do ispuštanja mirisa i vlage u hladnjak.

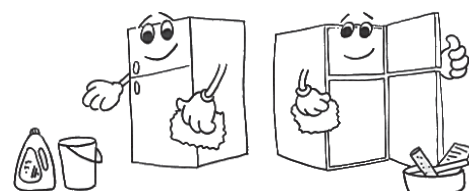
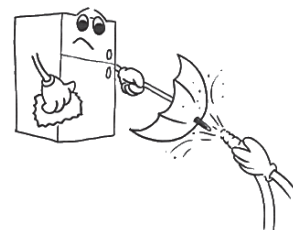
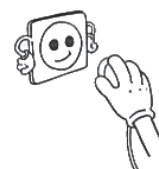
Prostor zamrzivača

- Zamrzivač je namijenjen za čuvanje namirnica zamrznutih na vrlo niskim temperaturama, dugotrajno čuvanje zamrznute hrane i za pripremu leda.
- Police u vratima zamrzivača koristite isključivo za čuvanje zamrznutih namirnica i nikako nemojte u njih stavljati tople namirnice koje ste naumili zamrznuti.
- Ne stavljajte svježu i zamrznutu hranu jednu uz drugu. Može doći do odmrzavanja zamrznute hrane.

- Kad zamrzavate svježe namirnice (na primjer meso, ribu ili mljeveno meso) podijelite ga na porcije koje kasnije možete postupno koristiti.
- Čuvanje zamrznute hrane: na ambalaži su navedeni nužni uvjeti za čuvanje. U slučaju da nema nikakvih informacija, ni jednu namirnicu nemojte čuvati dulje od tri mjeseca od dana kupovine.
- Kod kupnje zamrznutih namirnica provjerite jesu li bile zamrznute na odgovarajućoj temperaturi i da je ambalaža čitava.
- Zamrznutu hranu biste trebali prenositi u prikladnim vrećicama za zamrznute namirnice i što prije ih stavite u zamrzivač kako biste spriječili da se tijekom prijevoza odmrznu i izgube kvalitetu.
- Uočite li na ambalaži zamrznutih namirnica znake vlage ili neuobičajena ispupčenja, vjerojatno je bila uskladištena u neodgovarajućoj temperaturi i sadržaj je pokvaren.
- Rok čuvanja zamrznutih namirnica ovisi o temperaturi u prostoru, položaju termostata, učestalosti otvaranja vrata prostora zamrzivača, vrsti namirnice i vremenu koje je bilo potrebno za donošenje namirnice iz trgovine u dom. Uvijek poštujujte upute na ambalaži i nikad nemojte prekoračiti doba skladištenja koje je navedeno na ambalaži.
- Kako biste postigli idealne performanse uređaja i maksimalni kapacitet zamrzavanja, podesite hladnjak na 4°C na 24 sata prije stavljanja svježih namirnica u zamrzivač.
- Nakon stavljanja svježih namirnica u zamrzivač, promjena podešenja na 2°C na 24 sata obično je dovoljna. Ako je potrebno, nakon 24 sata možete smanjiti postavku.

ČIŠĆENJE I ODRŽAVANJE

- **Prije čišćenja isključite uređaj iz struje.**
- Uređaj nemojte čistiti polijevanjem vodom.
- Hladnjak i zamrzivač treba redovito čistiti otopinom mlake vode i sode bikarbone.
- Očistite svaki komad pribora pojedinačno u vodi s deterđentom. Nemojte koristiti perilicu suđa.
- Nemojte koristiti abrazivna sredstva za čišćenje, deterđente i sapune. Nakon pranja isperite čistom vodom i temeljito osušite. Nakon čišćenja suhim rukama utaknite utikač u zidnu utičnicu.
- Najmanje jednom godišnje očistite metlom prašinu s kondenzatora (na poledini uređaja). To pomaže učinkovitost i uštedu energije.

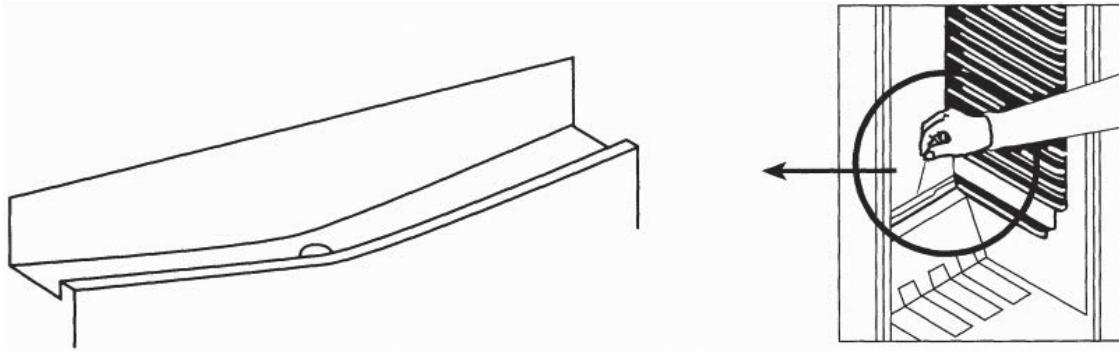


Preporuka

Ne koristite li uređaj dulje vrijeme (kao na primjer kod godišnjeg odmora), isključite ga iz električne mreže, operite ga i ostavite vrata otvorena. To sprečava stvaranje plijesni i mirisa.

Odmrzavanje hladnjaka

- U dijelu hladnjaka odmrzavanje se odvija automatski tijekom rada. Voda otječe do kanala za isparavanje i automatski se isparava.
- Kanal isparivača i otvor odvoda (na stražnjoj strani police za voće i povrće) potrebno je redovito čistiti. Tako ćete spriječiti nakupljanje vode u donjem dijelu hladnjaka.



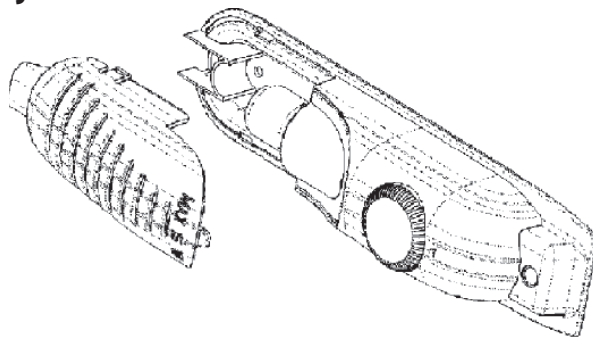
Odmrzavanje zamrzivača

- Potrebno je redovno uklanjati naslage leda, a najmanje 2× godišnje.
- Nemojte koristiti oštre i metalne predmete za skidanje leda. Time biste mogli oštetiti rashladno kolo i tako nepopravljivo oštetiti uređaj. Upotrijebite plastičnu strugalicu ili lopaticu.
- Ako je naslaga leda deblja od 5 mm, nužno je odmrznuti uređaj.
- Dan prije odmrzavanja postavite termostat na položaj **MAX/ 5** kako biste namirnice potpuno zamrznuli.
- Za vrijeme odmrzavanja namirnice biste trebali omotati u više slojeva papira i staviti na hladno mjesto. Time ćete zadržati nisku temperaturu namirnica dulje vrijeme.
- Postavite termostat na položaj **OFF/0**, isključite uređaj iz električne mreže i ostavite vrata otvorena dok se uređaj potpuno ne odmrzne.
- Taj postupak možete ubrzati stavljanjem jedne ili više posuda s toplom vodom u zamrzivač.
- Očistite unutrašnjost uređaja čistom krpom ili spužvom.
- Nakon odmrzavanja, vratite hranu u zamrzivač, postavite termostat na najvišu razinu i imajte na umu da je te namirnice nužno potrošiti u što skorijem roku.

Zamjena žarulje u hladnjaku

- Ako je uređaj opremljen LED diodama, nemojte samostalno skidati poklopac niti uklanjati diode. Obratite se ovlaštenom zastupniku.

Za modele koji imaju žarulju*



1. Isključite uređaj iz električne mreže.
2. Pritisnite kuke koje se nalaze bočno na gornjoj strani poklopca i skinite poklopac žarulje.
3. Zamijenite neispravnu žarulju novom, snage do 15 W.
4. Vratite poklopac na mjesto i nakon 5 minuta ponovo priključite uređaj u mrežu.

Za modele S LED osvjetljenjem*

Nemojte sami zamijeniti LED rasvjetu. Obratite se ovlaštenom zastupniku.

* razlikuje se ovisno o specifičnom modelu uređaja - pogledajte informativni list

Promjena strane otvaranja vrata

Trebate li promijeniti smjer otvaranja vrata, obratite se vama najbližem servisu.

UKLANJANJE POTEŠKOĆA

Ako hladnjak ne radi pravilno, prije nego pozovete servis možete sami provjeriti sljedeće stavke:

Hladnjak ne radi

Provjerite:

- ima li napona u električnoj mreži,
- je li glavna sklopka uključena,
- je li termostat postavljen na vrijednost **OFF/ 0**,
- je li utičnica ispravna? Provjerite tako što ćete u istu utičnicu priključiti drugi uređaj za kojeg znate da radi.

Hladnjak radi slabo

Provjerite:

- jeste li u uređaj stavili previše namirnica,
- jeste li termostat postavili na položaj **MIN/1** (ako je tako, postavite termostat na višu vrijednost)
- jesu li vrata pravilno zatvorena,
- na kondenzatoru nema prašine,
- ima li bočno i uz poledinu dovoljno prostora za slobodnu cirkulaciju zraka.

Hladnjak je bučan

Rashladni medij koji kruži u rashladnom kolu hladnjaka može izazivati umjerenu buku (žuborenje) i onda kad kompresor ne radi. To je normalno i ne treba vas brinuti. Ako nije riječ o tom zvuku, tada provjerite:

- je li uređaj u vodoravnom položaju,
- je li poledina slobodna i ne dodiruje ni jedan predmet,
- nema dijelova uređaja koji proizvode vibracije.

Na dnu hladnjaka ima vode

Provjerite:

- Je li otvor za ispuštanje vode od odmrzavanja slobodan (čepom za ispuštanje vode je ispustite i očistite otvor).

OPORABA I ZBRINJAVANJE OTPADA

Papirni otpad i kartonsku ambalažu predajte u reciklažna dvorišta. Foliju za pakiranje, vrećice od polietilena i plastične dijelove odložite u kontejnere za plastiku.

ODLAGANJE PROIZVODA NAKON ISTEKA RADNOG VIJEKA

Odlaganje otpada električne i elektroničke opreme (primjenjivo u državama članicama EU i drugim europskim zemljama koje su uspostavile sustave razvrstavanja otpada)

Oznaka koja je navedena na proizvodu ili na ambalaži označava da se proizvod ne smije zbrinjavati kao kućni otpad. Proizvod odložite na mjesto određeno za recikliranje električne i elektroničke opreme. Ispravnim odlaganjem proizvoda sprječavate negativne utjecaje na zdravlje ljudi i okoliš. Reciklažom materijala pomažete očuvanje prirodnih resursa. Dodatne informacije o recikliranju ovog proizvoda pružit će vam lokalne vlasti, organizacija za preradu kućnog otpada ili prodajno mjestu na kojem ste kupili proizvod.



08/05



Hrvatski
Bosanski

Ovaj proizvod je usklađen s direktivama EU o elektromagnetskoj kompatibilnosti i električnoj sigurnosti. Ovaj proizvod ispunjava zahtjeve za izdavanje teških metala u električnoj opremi.

Pravo na izmjenu teksta i tehničkih parametara je pridržano.

Stari hladnjaci i zamrzivači sadrže izolacijske plinove i rashladne medije koje je nužno zbrinuti. Zbrinjavanje otpada povjerite stručnoj lokalnoj službi za zbrinjavanje otpada. U slučaju nejasnoća obratite se svome lokalnom uredu ili prodavatelju. Pazite da se ne oštete cijevi rashladnog sustava koje će služba za zbrinjavanje otpada preuzeti.

- Kontakt ovlaštenog servisa za ovaj proizvod nalazi se u priloženom Jamstvenom listu ili na web mjestu www.ecg-electro.eu.
- Jamstvo na ovaj proizvod je 24 mjeseca.
- Rezervni dijelovi navedeni u EU 2019/2019 dostupni su 7 godina.
- Bazi podataka o proizvodu možete pristupiti očitanjem QR koda na energetske naljepnici, gdje su pohranjeni podaci o ovom proizvodu u skladu s EU 2019/2016.

BEZPEČNOSTNÉ POKYNY

Čítajte pozorne a uschovajte na budúcu potrebu!

Varovanie: Bezpečnostné opatrenia a pokyny uvedené v tomto návode nezahŕňajú všetky možné podmienky a situácie, ku ktorým môže dôjsť. Používateľ musí pochopiť, že faktorom, ktorý nie je možné zabudovať do žiadneho z výrobkov, je zdravý rozum, opatrnosť a starostlivosť. Tieto faktory teda musia byť zaistené používateľom/používateľmi používajúcimi a obsluhujúcimi toto zariadenie. Nezodpovedáme za škody spôsobené počas prepravy, nesprávnym používaním, kolísaním napätia alebo zmenou či úpravou akejkoľvek časti zariadenia. Aby nedošlo k vzniku požiaru alebo k úrazu elektrickým prúdom, mali by sa pri používaní elektrických zariadení vždy dodržiavať základné opatrenia, vrátane tých nasledujúcich:

1. Uistite sa, či napätie vo vašej zásuvke zodpovedá napätiu uvedenému na štítku zariadenia a či je zásuvka riadne uzemnená. Zásuvka musí byť inštalovaná podľa platnej elektrotechnickej normy STN.
2. Nepoužívajte prístroj, ak je prívodný kábel poškodený. **Všetky opravy alebo nastavenia vrátane výmeny napájacieho prívodu zverte odbornému servisu! Nedemontujte ochranné kryty zariadenia, hrozí nebezpečenstvo úrazu elektrickým prúdom!**
3. Chráňte zariadenie pred priamym kontaktom s vodou a inými tekutinami, aby nedošlo k prípadnému úrazu elektrickým prúdom. Neponárajte prívodný kábel alebo vidlicu do vody!
4. Spotrebič nepoužívajte vo vlhkom prostredí alebo v priestoroch, kde môže dôjsť k úniku plynu či ku kontaktu s výbušnou atmosférou. Nedotýkajte sa prívodného kábla alebo prístroja mokрыmi rukami. Hrozí nebezpečenstvo úrazu elektrickým prúdom.
5. Po inštalácii prístroja musí vidlica napájacieho prívodu zostať ľahko dostupná. Kábel neskracujte a nepoužívajte rozvodky v elektrických zásuvkách. Napájací prívod sa nesmie dotýkať horúcich častí ani viesť cez ostré hrany.

6. Spotrebič nezapínajte a nevypínajte zasunutím alebo vytiahnutím vidlice napájacieho prívodu. Vidlicu nevyťahujte zo zásuvky ťahaním za kábel. Kábel odpojte od zásuvky uchopením za vidlicu.
7. Nikdy nič nezasúvajte do otvorov prístroja, na prístroj nekladte žiadne predmety (napr. vázy, hrnčeky a pod.). Vetracie otvory nikdy nezakrývajte!
8. V spotrebiči nepoužívajte ďalšie elektrické prístroje a mraziace zariadenia.
9. Ak má tento spotrebič nahradiť doslúžené zariadenie so zámkou, vyradte z prevádzky zámku doslúženého spotrebiča, aby sa deti nemohli uzavrieť vnútri (napr. pri hre).
10. Nepoužívajte mechanické zariadenia ani iné neprirodzené prostriedky na urýchlenie odmrazenia. Nepoužívajte elektrické spotrebiče v priestore na uskladnenie potravín. Chráňte chladiaci okruh spotrebiča pred poškodením.
11. Nedovoľte deťom, aby sa so zariadením hrali. Taktiež nesmú sedieť na policiach alebo sa vešať na dvere spotrebiča.
12. Na odstránenie ľadu v chladničke nepoužívajte ostré kovové predmety, pretože môžu poškodiť mraziace obvody a spôsobiť neopraviteľné škody na zariadení. V prípade potreby použite škrabku z plastu.
13. V spotrebiči neukladajte výbušné látky, napr. spreje s hnacím plynom.
14. Neumiestňujte obaly (sklenené fľaše alebo konzervy) s kvapalinami do mrazničky. Mohlo by dôjsť k roztrhnutiu nádoby.
15. Fľaše obsahujúce tekutiny s vysokým obsahom alkoholu musia byť pri ukladaní riadne uzatvorené a postavené vertikálne.
16. Spotrebič nevystavujte priamemu slnečnému žiareniu, nepoužívajte vonku a nevystavujte dažďu.
17. Nedotýkajte sa chladiacich povrchov, obzvlášť vlhkými rukami. Hrozí nebezpečenstvo poranenia.
18. Nekonzumujte ľadovú námrazu odstránenú z mrazničky.
19. Tento spotrebič je určený na použitie v domácnosti a podobných priestoroch, ako sú:

- kuchynské kúty v obchodoch, kanceláriách a ostatných pracoviskách
 - spotrebiče používané hosťami v hoteloch, motelloch a iných obytných oblastiach
 - spotrebiče používané v podnikoch zaistujúcich nocľah s raňajkami
20. Tento spotrebič môžu používať deti vo veku 8 rokov a staršie a osoby so zníženými fyzickými, zmyslovými alebo mentálnymi schopnosťami alebo nedostatkom skúseností a znalostí, ak sú pod dozorom alebo boli poučené o používaní spotrebiča bezpečným spôsobom a rozumejú prípadným nebezpečenstvám. Deti sa so spotrebičom nesmú hrať. Čistenie a údržbu vykonávanú používateľom nesmú vykonávať deti bez dozoru.
21. Deti vo veku 3 až 8 rokov môžu vkladať a vyberať potraviny z chladiacich spotrebičov.
22. Na deti by sa malo dohliadať, aby sa zaistilo, že sa nebudú so spotrebičom hrať.
23. Výrobca nenesie žiadnu zodpovednosť za škody vzniknuté nesprávnym uzemnením/použitím.
24. Ventilačné otvory v kryte spotrebiča alebo v jeho konštrukcii musia byť voľné.

Aby sa zabránilo kontaminácii potravín, dodržiavajte, prosím, nasledujúce odporúčania:

- Otvorenie dvierok na dlhý čas môže spôsobiť výrazné zvýšenie teploty v priestoroch spotrebiča.
- Pravidelne čistite povrchy, ktoré môžu prísť do styku s potravinami, a prístupné drenážne systémy.
- Vyčistite vodné nádobky, ak sa nepoužívali 48 hod.; prepláchnite vodný systém pripojený k prívodu vody, ak voda nepretekala 5 dní.
- Surové mäso a ryby ukladajte do chladničky vo vhodných obaloch, tak aby neboli v kontakte s inými potravinami alebo na ne nekvapkali.

- Dvojhviezdičkové mraziace priestory sú vhodné na ukladanie vopred zmrazených potravín, uloženie alebo na výrobu zmrzliny a výrobu kociek ľadu.
- Jedno-, dvoj- a trojhviezdičkové priestory nie sú vhodné na mrazenie čerstvých potravín.
- Ak ponechávate chladiaci spotrebič prázdny na dlhý čas, vypnite ho, odmrazte, vyčistite, vysušte a nechajte dvierka otvorené, aby sa zabránilo tvorbe plesní vnútri spotrebiča.

RIZIKO POŽIARU!



VÝSTRAHA: NEBEZPEČENSTVO OHŇA/ HORĽAVÉ MATERIÁLY

Tento spotrebič obsahuje R600a (chladiace médium izobután), prírodný (zemný) plyn, ktorý je veľmi šetrný k životnému prostrediu, no horľavý. Pri preprave a inštalácii zariadenia je nutné zaistiť, aby žiadna z častí chladiaceho obvodu nebola poškodená. V prípade poškodenia zamedzte horeniu a priestory, v ktorých je zariadenie umiestnené, niekoľko minút vetrajte.

Chladiaci systém obsahuje vysokotlakovú chladiacu kvapalinu. Nemanipulujte so systémom. Môže ho opraviť len kvalifikovaná osoba. Pri výmene osvetlenia vnútorného priestoru chladničky vždy odpojte chladničku od siete – inak vzniká nebezpečenstvo úrazu elektrickým prúdom. • Ak je pre vás výmena vnútorného osvetlenia príliš zložitá, obráťte sa na servisného zástupcu. • Ak sú produkty vybavené LED diódami, nedemontujte sami kryt osvetlenia a LED diódy. – Obráťte sa na servisného zástupcu.

VÝMENA LED ŽIAROVKY: Keď prestanú fungovať vnútorné alebo vonkajšie indikátory LED, nedemontujte kryt indikátora ani indikátor sami. Obráťte sa na servisného zástupcu.

LED osvetlenie nevymieňajte sami. Obráťte sa na servisného zástupcu.

Opis a informácie o spotrebiči sa môžu líšiť v závislosti od typu modelu. Tento spotrebič nie je určený na použitie ako zabudovaný spotrebič.

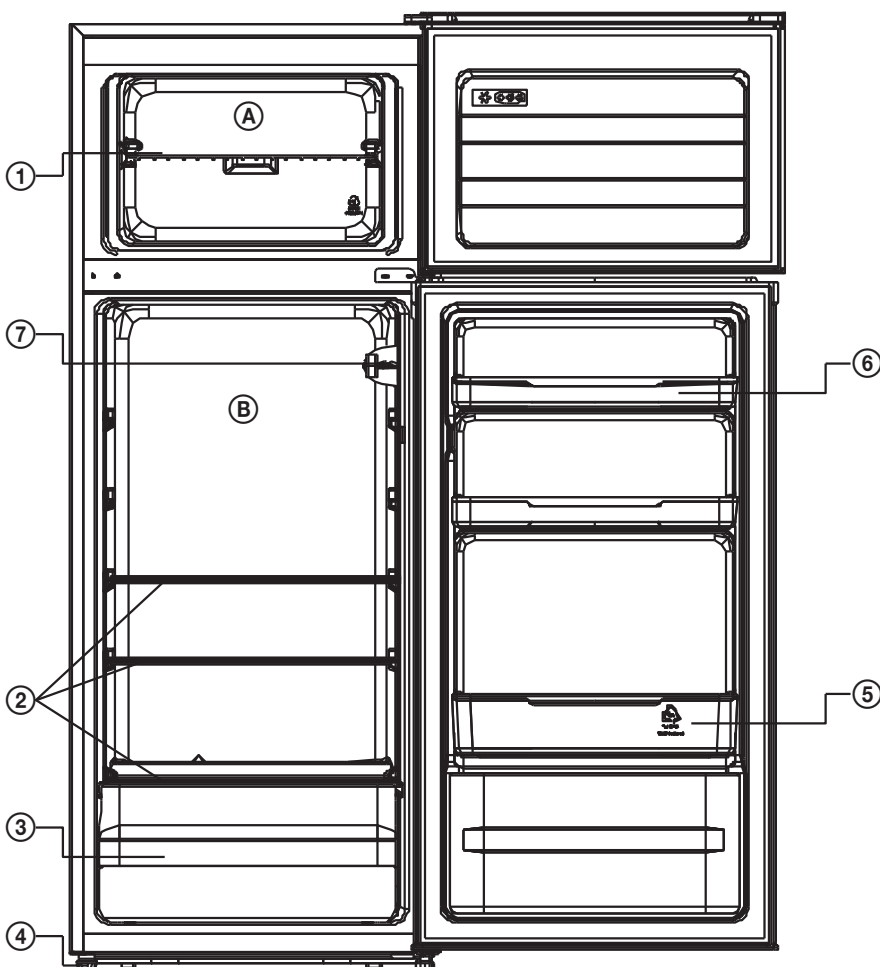
POPIS

Tento popis slúži len na informáciu o súčiastkach spotrebiča. Jednotlivé súčasti sa môžu líšiť podľa modelu spotrebiča.

- A) Mraznička
B) Chladnička

1. Police mrazničky
2. Polica chladničky
3. Zásuvka na ukladanie čerstvej zeleniny a ovocia
4. Výškovo nastaviteľné nožičky
5. Dverná priehradka na fľaše
6. Dverná priehradka
7. Termostat

Obrázok je iba ilustračný. Líši sa podľa konkrétneho modelu spotrebiča - pozri informačný list

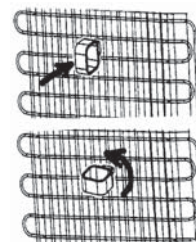


INŠTALÁCIA A ZAPNUTIE ZARIADENIA

- Pre správnu inštaláciu a zapnutie zariadenia je možné kontaktovať servisných technikov.
- Pred pripojením k zdroju energie sa uistite, že napätie uvedené na štítku zodpovedá napätiu v zástrčke / napätiu elektrického systému v budove.
- Po umiestnení zariadenia musí byť zásuvka prístupná.

Umiestnenie

- Umiestnite chladničku ďalej od zdrojov tepla a v dobre vetranej polohe. Chladnička by mala byť vzdialená minimálne **50 cm** od radiátorov, plynových sporákov a ďalších tepelných zdrojov a **5 cm** od elektrických sporákov.
- Nad zariadením nechajte voľný priestor minimálne **15 cm**.
- Ku kondenzátoru na zadnej stene chladničky pripevnite plastové dištančné teliesko, aby nedochádzalo k opretiu chladničky o stenu a tým k zníženiu výkonu.
- Na zariadenie neumiestňujte ťažké predmety.
- Pokiaľ je zariadenie inštalované vedľa inej chladničky alebo mrazničky, dodržujte minimálnu vzdialenosť **2 cm**, aby ste zabránili kondenzácii pár.

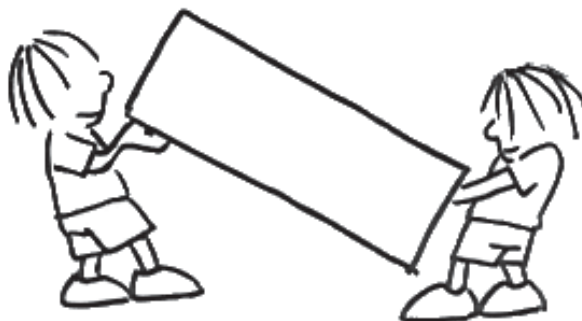


- Zariadenie musí stáť pevne a vo vodorovnej polohe. Na vyrovnanie použite dve predné vyrovnávacie pätky.

PREPRAVA A PREMIESTNENIE

Preprava a premiestnenie

- Pôvodný obal a penový polystyrén (PS) uschovajte pre prípad potreby.
- Pri preprave zariadenia zaistite širokou páskou alebo silným lanom a dodržujte inštrukcie uvedené na obale.
- Pred prepravou alebo premiestňovaním zaistite alebo vyberte všetky pohyblivé predmety (t. j. police, zásuvku na čerstvú zeleninu a ovocie ...).



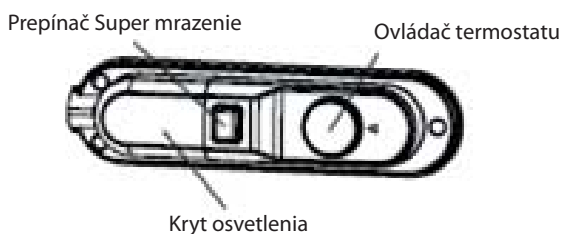
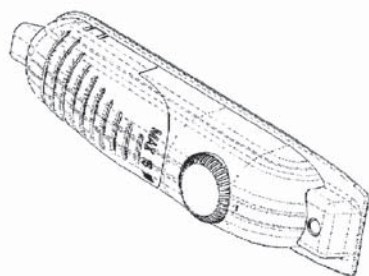
Pred zapnutím

- Výrobok ponechajte v pokoji minimálne 3 hodiny od chvíle, keď ste ho dovezli domov.
- Pri prvom zapnutí sa môže vyskytnúť zápach. Ten zmizne potom, čo začne zariadenie chlaďiť.



RÔZNE FUNKCIE A MOŽNOSTI

Nastavenie termostatu



Termostat mrazničky a chladničky automaticky reguluje vnútornú teplotu. Otáčaním gombíka z polohy **1** na **5** je možné nastaviť nižšiu teplotu.

Nastavenie termostatu mrazničky a chladničky

- OFF/0:** Vypnuté
- MIN/1-2:** Na krátkodobé uchovávanie potravín v mrazničke (gombík na hodnotu minimálnu až strednú).
- MED/3-4:** Na dlhodobé uchovávanie potravín v mrazničke (gombík na strednú hodnotu).
- MAX/5:** Na mrazenie čerstvých potravín. Po dosiahnutí chladného stavu je nutné nastaviť gombík na predchádzajúcu pozíciu.
- Super mrazenie** Tento spínač sa používa na funkciu super mrazenia. Pre maximálnu kapacitu mrazenia zapnite tento spínač 24 hodín pred naložením čerstvých potravín. Po umiestnení čerstvých potravín do mrazničky je vo všeobecnosti postačujúce ponechať spínač v polohe ON po dobu 24 hodín. Ak chcete ušetriť energiu, vypnite tento spínač 24 hodín po naložení čerstvého jedla.

* líši sa podľa konkrétneho modelu spotrebiča - pozri informačný list

Zapnutie zariadenia

- Pri prvom zapnutí by zariadenie malo nepretržite pracovať aspoň 24 hodín, kým nebude chlaďiť na dostatočnú teplotu.
- V priebehu tohto času neotvárajte dvierka často. Zariadenie naplňte potravinami.
- Pokiaľ zariadenie vypnete alebo odpojíte zo zásuvky, je nutné pred reštartovaním alebo opätovným zapnutím počkať aspoň 5 minút, aby nedošlo k poškodeniu kompresora.
- Vaša chladnička je navrhnutá na prevádzku pri okolitej teplote uvedenej v normách podľa klimatických tried uvedených na informačnom štítku. Neodporúčame prevádzkovať chladničku v prostredí, ktoré nie je v rozmedzí uvedených hodnôt z dôvodu jej účinnosti.

Klimatická trieda a význam: pozri informačný list

T (tropické): Táto chladnička je určená na použitie pri teplotách okolia od 16 °C do 43 °C.

ST (subtropické): Táto chladnička je určená na použitie pri teplotách okolia od 16 °C do 38 °C.

N (normálne): Táto chladnička je určená na použitie pri teplotách okolia od 16 °C do 32 °C.

SN (subnormálne): Táto chladnička je určená na použitie pri teplotách okolia od 10 °C do 32 °C.

Klimatické triedy	Okolie
T	16 až 43 °C
ST	16 až 38 °C
N	16 až 32 °C
SN	10 až 32 °C

UKLADANIE POTRAVÍN

Chladiaci priestor

- Na redukciu vlhkosti a následného namrzenia nikdy nekladajte do chladničky kvapaliny v neutesnených obaloch. Námraza má tendenciu sa koncentrovať v najchladnejších častiach výparníka. Ukladanie voľných kvapalín je príčinou pre častejšie odmrazovanie.
- Do chladničky nikdy nekladajte teplé potraviny. Tie by mali najprv vychladnúť pri izbovej teplote a následne byť umiestnené tak, aby bola zaistená adekvátne cirkulácia vzduchu v chladničke.
- Potraviny alebo obaly potravín by sa nemali dotýkať zadnej steny chladničky, pretože by mohli primrznúť. Dvierka chladničky neotvárajte príliš často.
- Do chladničky je možné umiestniť mäso a očistené ryby (zabalené v obaloch alebo plastikovej fólii), ktoré budete používať v priebehu 1 – 2 dní.
- Ovocie a zeleninu môžete ukladať do časti určenej pre čerstvú zeleninu a ovocie bez obalu.
- Za normálnych prevádzkových podmienok stačí nastaviť teplotu chladničky na +4 °C.

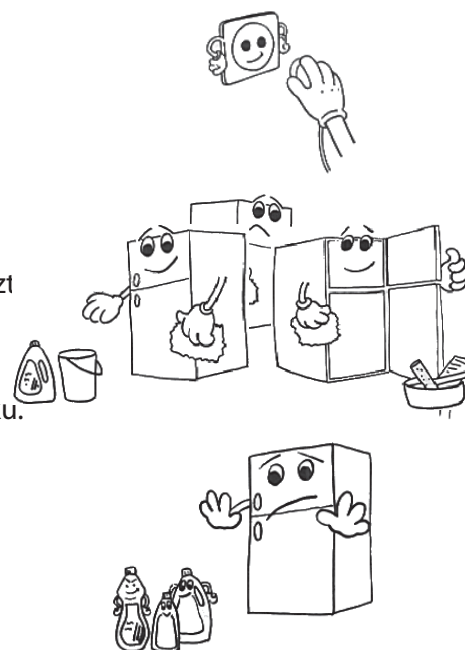
- Teplota chladiaceho priestoru by mala byť v rozmedzí od 0 °C do 8 °C, čerstvé potraviny mrznú a hnijú pri teplotách nižších ako 0 °C a baktérie sa zvyšujú a potraviny sa kazia pri teplotách vyšších ako 8 °C.
- Horúce potraviny nechodte do chladničky, nechajte ich vychladnúť na izbovú teplotu.
- Horúce potraviny zvyšujú teplotu chladničky a môžu spôsobiť otravu jedlom alebo zbytočné kazenie potravín.
- Mäso, ryby a podobné potraviny by sa mali skladovať v chladniči a zelenine v priestore na zeleninu (ak je k dispozícii).
- Aby sa zabránilo krížovej kontaminácii, neskladujte mäsové výrobky s ovocím a zeleninou.
- Potraviny v chladničke sa majú skladovať v uzavretých nádobách alebo iných vhodných obaloch, aby sa do chladničky nevypúšťali zápachy a vlhkosť.

Mraziaci priestor

- Mraznička je určená na skladovanie potravín zmrazených pri veľmi nízkej teplote, dlhodobé uchovávanie zmrazených potravín a na výrobu ľadu.
- Poličky vo dverách mrazničky používajte iba na skladovanie zmrazených potravín, nie na ukladanie teplých potravín určených na zmrazenie.
- Nedávajte vedľa seba čerstvé a zmrazené potraviny. Môže dôjsť k topeniu zmrazených potravín.
- Pri mrazení čerstvých potravín (napríklad mäsa, rýb alebo sekaného mäsa) ich rozdeľte na časti, ktoré použijete naraz.
- Skladovanie zmrazených potravín: na obaloch bývajú uvedené pokyny, ktoré je nutné dodržiavať. V prípade, že žiadne informácie nie sú uvedené, by sa potraviny nemali skladovať dlhšie než tri mesiace od dátumu nákupu.
- Pri nakupovaní zmrazených potravín sa uistite, že boli zmrazené pri vhodnej teplote a obal je neporušený.
- Zmrazené potraviny by mali byť prepravované vo vhodných obaloch, aby bola zachovaná ich kvalita a mali by byť vrátené na mraziace plochy zariadenia v čo najkratšom čase.
- Ak obal zmrazených potravín vykazuje známky vlhkosti alebo abnormálneho vydutia, je pravdepodobné, že už skôr boli skladované pri nevhodnej teplote a obsah je skazený.
- Lehota skladovania zmrazených potravín závisí od izbovej teploty, nastavenia termostatu, frekvencie otvárania dvierok mrazničky, typu potravín a času nutného na transport produktu z obchodu do domácnosti. Vždy dodržujte pokyny vytlačené na obale a nikdy neprekračujte maximálnu lehotu skladovania uvedenú na obale.
- Aby ste dosiahli ideálnu výkonnosť spotrebiča a maximálnu mraziacu kapacitu, pred tým, než vložíte čerstvé potraviny do mrazničky, chladničku na 24 hodín nastavte na 4 °C
- Po vložení čerstvých potravín do mrazničky je obvykle zmena nastavenia na 2 °C na 24 hodín dostačujúca. Po 24 hodinách môžete nastavenie znížiť, ak je to potrebné.

ČISTENIE A ÚDRŽBA

- **Pred čistením odpojte zariadenie od zdroja elektrickej energie.**
- Nečistite zariadenie napúšťaním vody.
- Chladnička i mraznička by mali byť periodicky čistené s použitím roztoku vody a jedlej sódy.
- Príslušenstvo čistite mydlovou vodou zvlášť. Nepoužívajte umývačku.
- Nepoužívajte abrazívne produkty, detergenty a mydlá. Po umytí vypláchnite čistou vodou a starostlivo vysušte. Po ukončení čistenia znovu zasuňte zástrčku zariadenia suchými rukami do elektrickej zásuvky.



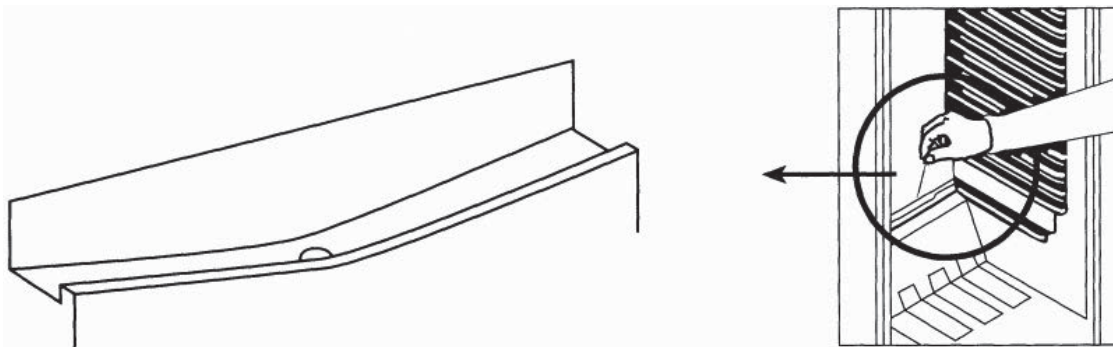
- Minimálne raz za rok očistite kondenzátor (zadná časť zariadenia) pomocou metličky. Zvýšite tým produktivitu a usporíte energiu.

Odporúčanie

Pokiaľ zariadenie nepoužívate dlhší čas (napríklad počas letnej dovolenky), chladničku odpojte od zdroja elektrickej energie, vyčistite a ponechajte dverka otvorené. Zabránite tým vzniku plesní a zápachu.

Odmrazovanie chladničky

- V časti chladničky sa deje odmrazovanie automaticky počas prevádzky; voda steká do odparovacieho kanálíka a automaticky sa vyparuje.
- Kanálik výparníka a otvor na odvod vody (v zadnej časti police pre čerstvé potraviny) by mal byť periodicky čistený. Predídete tým hromadeniu vody v dolnej časti.



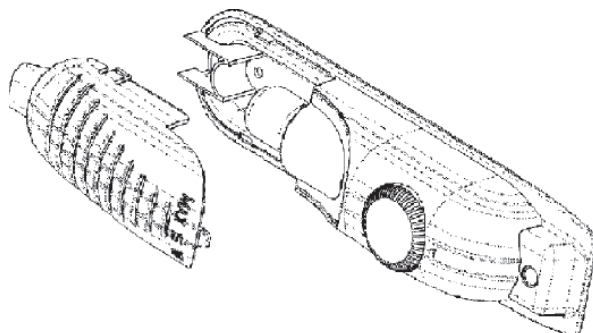
Odmrazovanie mrazničky

- Namrznutý ľad v mrazničke je nutné periodicky odstraňovať minimálne 2 × ročne.
- Na odstránenie ľadu nepoužívajte ostré kovové predmety. Môžu preraziť obvod a spôsobiť neopraviteľné škody na zariadení. Používajte plastovú škrabku.
- Odmrazovanie je nutné vykonávať, keď sa na poličkách vytvorí námraza hrubšia než 5 mm.
- Nastavte termostat do polohy **MAX/5** deň pred rozmrazením, aby sa potravina úplne zmrazila.
- Počas odmrazovania by mali byť zmrazené potraviny zabalené do niekoľkých vrstiev papiera a uskladnené na chladnom mieste. Tým udržíte nízku teplotu potravín dlhý čas.
- Nastavte termostat do polohy **OFF/0**, odpojte spotrebič od zdroja napájania a nechajte dvere otvorené, kým sa rozmrazovanie nedokončí.
- Pre urýchlenie procesu odmrazovania umiestnite do mrazničky jednu alebo viac nádob s horúcou vodou.
- Vnútro zariadenia starostlivo vysušte pomocou čistej handričky alebo huby.
- Po skončení odmrazovania umiestnite potraviny späť do mrazničky a majte na pamäti, že je nutná ich rýchla konzumácia.

Výmena žiarovky v chladničke

Ak sú produkty vybavené LED diódami, nedemontujte sami kryt osvetlenia a LED diódy. Obráťte sa na servisného zástupcu.

Pre modely, ktoré majú žiarovku*



1. Odpojte zariadenie od zdroja energie.

2. Stlačte háčiky na stranách hornej časti krytu a zložte kryt žiarovky A.
3. Nahradte chybnú žiarovku B novou s výkonom maximálne 15 W.
4. Nasadte kryt žiarovky a po 5 minútach pripojte zariadenie späť k zdroju energie.

Pre modely s LED osvetlením*

LED osvetlenie nevymieňajte sami. Obráťte sa na servisného zástupcu.

*** líši sa podľa konkrétneho modelu spotrebiča - pozri informačný list**

Otočenie smeru otvárania dvierok

V prípade, že potrebujete otočiť smer otvárania dvierok, poraďte sa so servisným technikom.

ODSTRAŇOVANIE PROBLÉMOV

Ak chladnička nefunguje správne, skôr ako zavoláte servisného technika, skontrolujte prístroj podľa nasledujúcich inštrukcií:

Chladnička nefunguje

Skontrolujte, či:

- nie je prerušená dodávka elektrickej energie,
- nie je vypnutý hlavný vypínač elektrického prúdu,
- nie je termostat nastavený na pozíciu **OFF/0**,
- je v poriadku elektrická zásuvka. Pre kontrolu zapojte do rovnakej zásuvky iné zariadenie, o ktorom viete, že funguje.

Výkon chladničky je malý

Skontrolujte, či:

- v zariadení nie je umiestnené príliš veľké množstvo potravín,
- je termostat nastavený na pozíciu **MIN/1** (ak áno, nastavte termostat na vyššiu hodnotu)
- sú dvierka riadne dovreté,
- nie je prach na kondenzátore,
- je pozdĺž zadnej a bočných stien dostatok miesta na cirkuláciu vzduchu.

Chladnička je hlučná

Chladiaci plyn, ktorý cirkuluje v obvode chladničky, môže spôsobovať mierny hluk (bublajúci zvuk) dokonca v prípade, keď kompresor nie je v chode. Nerobte si starosti, je to celkom normálne. Pokiaľ sú tieto zvuky iné, skontrolujte, či:

- je zariadenie vo vodorovnej polohe,
- sa nič nedotýka zadnej strany,
- časti zariadenia nevibrujú.

V dolnej časti chladničky je voda

Skontrolujte či:

- Odmrazovací vypúšťací otvor nie je upchatý (použite odmrázovacu vypúšťaciu zátku a otvor vyčistite).

VYUŽITIE A LIKVIDÁCIA ODPADU

Baliaci papier a vlnitá lepenka – odovzdajte do zberných surovín. Prebalová fólia, PE vrecúška, plastové diely – do zberných kontajnerov na plasty.

LIKVIDÁCIA VÝROBKU PO UKONČENÍ ŽIVOTNOSTI

Likvidácia použitých elektrických a elektronických zariadení (platí v členských krajinách EÚ a ďalších európskych krajinách so zavedeným systémom triedenia odpadu)

Vyobrazený symbol na produkte alebo na obale znamená, že s produktom by sa nemalo nakladať ako s domovým odpadom. Produkt odovzdajte na miesto určené na recykláciu elektrických a elektronických zariadení. Správnou likvidáciou produktu zabránite negatívnym vplyvom na ľudské zdravie a životné prostredie. Recyklácia materiálov prispieva k ochrane prírodných zdrojov. Viac informácií o recyklácii tohto produktu vám poskytne obecný úrad, organizácia na spracovanie domového odpadu alebo predajné miesto, kde ste produkt kúpili.



08/05



Tento výrobok spĺňa požiadavky smerníc EÚ o elektromagnetickej kompatibilite a elektrickej bezpečnosti. Tento výrobok spĺňa požiadavky na vydávanie ťažkých kovov v elektrických zariadeniach.

Zmena textu a technických parametrov vyhradená.

Staré chladničky a mrazničky obsahujú izolačné plyny a mraziace médium, ktoré je nutné zlikvidovať. Likvidáciu odpadu zverte kompetentnej miestnej službe na likvidáciu odpadov. V prípade nejasností kontaktujte miestny úrad alebo predajcu. Uistite sa, či rúrky chladiacej jednotky, ktoré odvezie príslušná služba na likvidáciu odpadov, nie sú poškodené.

- Kontakt na odborný servis tohto produktu nájdete v priloženom Záručnom liste alebo na stránkach www.ecg-electro.eu.
- Záruka na tento výrobok je 24 mesiacov.
- Náhradné diely uvedené v EÚ 2019/2019 sú k dispozícii 7 rokov.
- Prístup do databázy produktov, kde sú uložené informácie k tomuto výrobku podľa EÚ 2019/2016, môžete získať načítaním QR kódu na energetickom štítku.

www.ecg-electro.eu

Deutsch

K+B Progres, a.s./AG.
Barbaraweg 2, DE-93413 Cham
Bei Beschwerden rufen Sie die Telefonnummer
09971/4000-6080 an. (Mo – Fr 9:00 – 16:00)

Čeština

K+B Progres, a.s.
U Expertu 91
250 69 Klíčany
tel.: +420 272 122 111
e-mail: ECG@kbexpert.cz

Hrvatski

K+B Progres, a.s.
U Expertu 91
250 69 Klíčany, Czech Rep.
tel.: +420 272 122 111
e-mail: informacije@kbprogres.cz

Bosanski

K+B Progres, a.s.
U Expertu 91
250 69 Klíčany, Czech Rep.
tel.: +420 272 122 111
e-mail: informacije@kbprogres.cz

Slovenčina

Distribútor pre SR: K+B Progres, a. s., organizačná zložka
Mlynské Nivy 71
821 05 Bratislava
e-mail: ECG@kbexpert.cz

■ The manufacturer takes no responsibility for printing errors contained in the product's user's manual. ■ Der Importeur haftet nicht für Druckfehler in der Bedienungsanleitung des Produkts. ■ Výrobce neručí za tiskové chyby obsažené v návodu k použití výrobku. ■ Proizvođač ne snosi odgovornost za tiskarske greške u uputama. ■ Dovožca neručí za tlačové chyby obsiahnuté v návode na použitie výrobku.