

# Haier

ENGLISH	INSTALLATION AND USER'S MANUAL
ITALIANO	MANUALE D'INSTALLAZIONE E D'USO
FRANÇAIS	NOTICE D'INSTALLATION ET D'UTILISATION
ESPAÑOL	MANUAL DE USO E INSTALACIÓN
DEUTSCH	EINBAU- UND BEDIENUNGSANLEITUNG
NEDERLANDS	HANDLEIDING VOOR INSTALLATIE EN GEBRUIK
ČESTINA	NÁVOD K INSTALACI A POUŽITÍ
SLOVENČINA	NÁVOD NA INŠTALÁCIU A POUŽITIE



# INSTALLATION AND USER'S MANUAL

## **CONTENT**

INTRODUCTION	02
SAFETY PRECAUTION	02
ELECTRICAL INSTALLATION	04
SPECIFICATION	05
INSTALLATION (VENT OUTSIDE)	06
INSTALLATION (VENT INSIDE)	13
DESCRIPTION OF COMPONENTS	17
OPERATION	17
MAINTENANCE	20
TROUBLESHOOTING	21
CONFORMITY WITH DIRECTIVES	22
ENVIRONMENTAL PROTECTION	22

## **INTRODUCTION**

### **Thank you for choosing this cooker hood.**

This instruction manual is designed to provide you with all required instructions related to the installation, use and maintenance of the appliance. In order to operate the unit correctly and safety, please read this instruction manual carefully before installation and usage.

The cooker hood uses high quality materials, and is made with a streamlined design. Equipped with large power electric motor and centrifugal fan, it also provides strong suction power, low noise operation, non-stick grease filter and easy assembly installation.

Hereby, Candy Hoover Group Srl declares that the radio equipment is in compliance with Directive 2014/53/EU and with the relevant Statutory Requirements (for the UKCA market).

The full text of the declaration of conformity is available at the following internet address: [www.candy-group.com](http://www.candy-group.com)

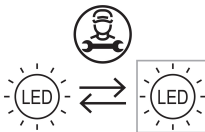
## **SAFETY PRECAUTION**

- Never let the children operate the machine.
- The cooker hood is for home use only, not suitable for barbecue, roast shop and other commercial purpose.
- The cooker hood and its filter should be clean regularly in order to keep in good working condition.
- Clean the cooker hood according to the instruction manual and keep the unit from danger of burning.
- Forbid the direct baking from the gas cooker.
- Please keep the kitchen room a good convection.
- Before connecting this appliance check that the power supply cord is not damaged. A damage supply cord must be replaced by qualified service personnel only.
- There shall be adequate ventilation of the room when the range hood is used at the same time as appliances burning gas or other fuels;
- The air must not be discharged into a flue that is used for exhausting fumes from appliances burning gas or other fuels;
- Regulations concerning the discharge of air have to be fulfilled.

- Children should be supervised to ensure that they do not play with the appliance.
- Do not flambé under the range hood.  
The range hood is not intended to be installed over a hob having more than four hob elements
- These shall be adequate ventilation of the room when the range hood is used at the same time as appliances burning gas or other fuels(not applicable to appliances that only discharge the air back into the room);
- the details concerning the method and frequency of cleaning.
- there is a fire risk if cleaning is not carried out in accordance with the instructions;
- do not flame under the range hood;
- CAUTION: Accessible parts may become hot when used with cooking appliances.

### **Electrical Shock Hazard**

- ~ Only plug this unit into a properly earthed outlet. If in doubt seek advice from a suitably qualified engineer.
- ~ Failure to follow these instructions can result in death, fire, or electrical shock.



The lamp used in this product is not suitable for use in the lighting of a room.

The purpose of this lamp is to provide illumination for using the product.

## Electrical Installation

All installation must be carried out by a competent person or qualified electrician. Before connecting the mains supply ensure that the mains voltage corresponds to the voltage on the rating plate.

### Direct Connection

The appliance must be connected directly to the mains using an omnipolar circuit breaker with a minimum opening of 3mm between the contacts.

The installer must ensure that the correct electrical connection has been made and that it complies with the wiring diagram.

The cable must not be bent or compressed.

Regularly check the power plug and power cord for damage. If the supply cord is damaged, it must be replaced by a special cord or assembly available from the manufacturer or its service agent.

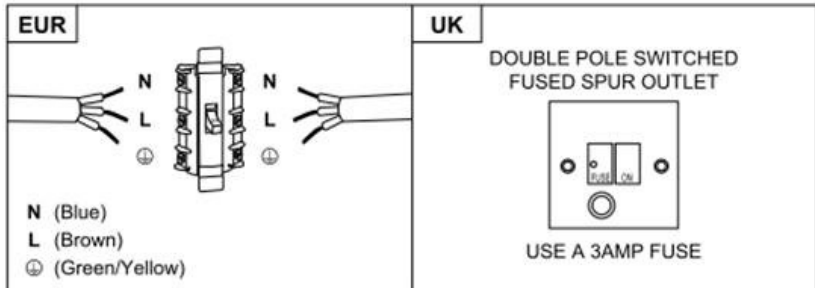
### **WARNING: This is a Class I appliance and MUST be earthed**

This appliance is supplied with a 3 core mains cable coloured as follows:

Brown = L or Live

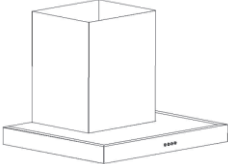
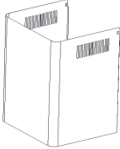
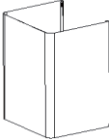

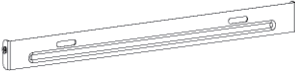
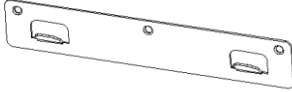






Blue = N or Neutral

Green and Yellow = E or Earth (⊕)



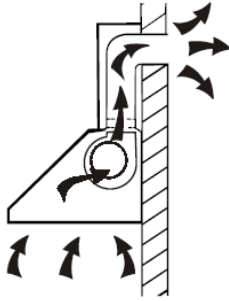
**The fuse must be rated at 3 Amps.**

## Standard Installation Accessories List

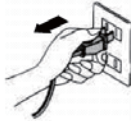
Spec.	Illustration Picture	Qty
Casing		1
Upper Chimney		1
Lower Chimney		1
Lower chimney bracket		1
Upper chimney bracket		1
Hanging Board		1
$\phi 8$ rawl plugs $\phi 8 \times \phi 6$ white color		9
Screws ST4.0x30		9
$\phi 7.2$ screws ST4.0x8		2
Air outlet		1
Carbon filter		2
Plasma		1

## INSTALLATION (wall mounting)

If you have an outlet to the outside, your cooker hood can be connected as below picture by means of an extraction duct (enamel, aluminum, flexible pipe non flammable with an interior diameter of 150mm)



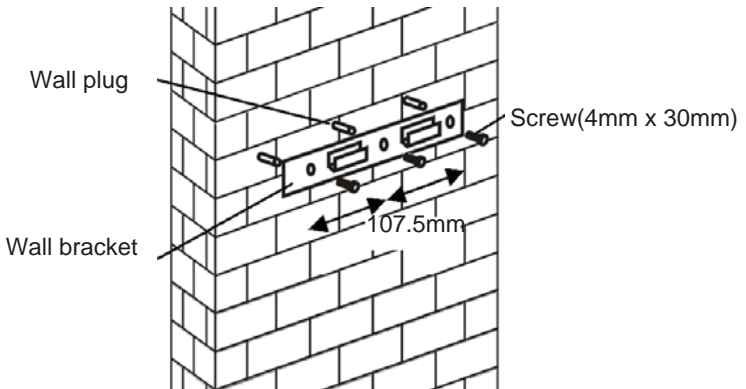
1. Before installation, turn the unit off and unplug it from the outlet.



2. The cooker hood should be placed at a distance of 65~75cm above the cooking plane for best effect.

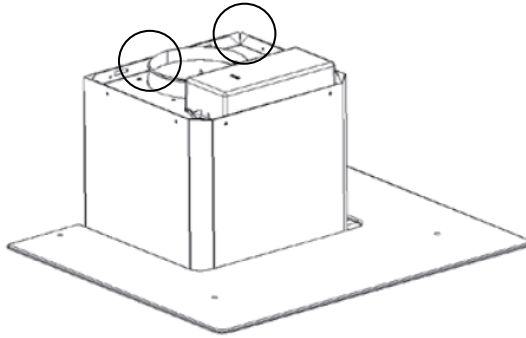


3. Drill 3 x 8mm holes to accommodate the bracket. Screw and tighten the bracket onto the wall with the screws provided.





4. Leave up the cooker hood and hang onto the wall bracket hook.

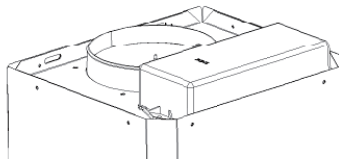


5. Fix the one-way-valve to the air outlet of the cooker hood. Then, attached the exhaust pipe onto the one-way-valve as shown below.

Exhaust pipe

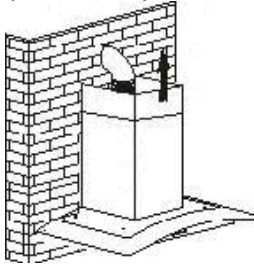


Cooker hood

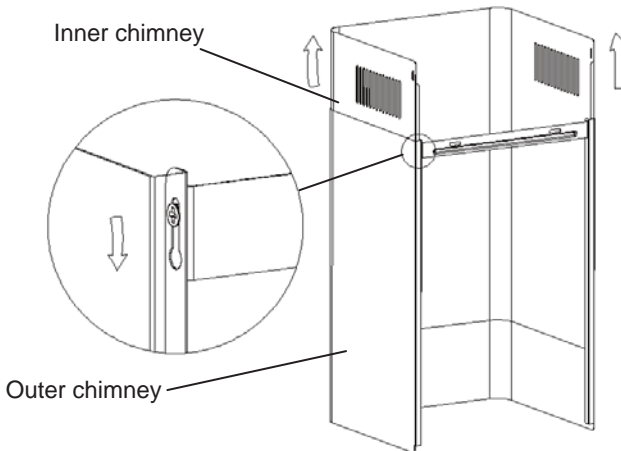


6.

- i. Place the glass in appropriate position on the top the cooker hood.
  - ii. Fix with 4 screws and washer. In order to avoid the glass cracking, please do not tighten the screws too strongly.
- i. By Put the inner chimney into outer chimney .Then pulling out the inner chimney upwards. Adjust to reach the height required.

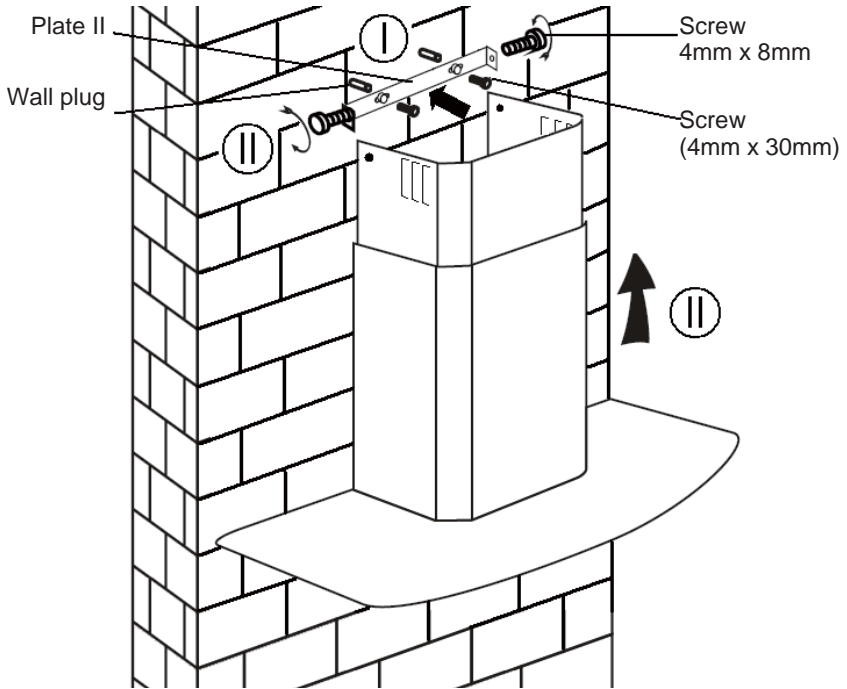


- ii. Sliding the chimney to adjust the chimney height. When the height you required is reached, then hang the fixing hole to the fixing screws as showed in below pictures.

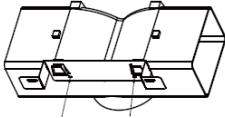
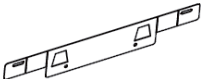





8.

- i. Drill 2 x 8mm holes to accommodate the plate II. Screw and tighten the plate II onto the wall with 2 screws provided.
- ii. Assemble the chimney onto the unit and fix it with 2 screws.



## Standard Installation Accessories List

Spec.	Illustration Picture	Qty
Air Deflector		1
Bracket		1
$\phi 8$ rawl plugs $\phi 8 \times \phi 6$ white color		2
Screws ST4.0x30		2
Screws ST3.5x12		2

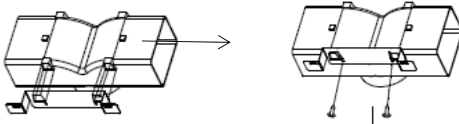
## **INSTALLATION(AIR DEFLECTOR):**

Air deflector is mentioned as included and not optional.

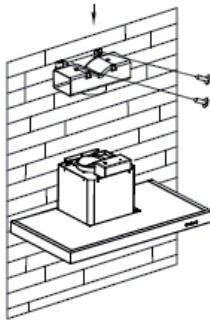
1. Before installation,curve both ends of the bracket as shown below:



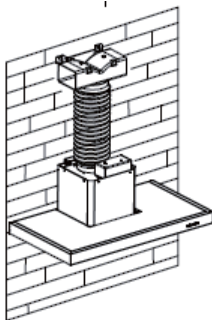
2. Fix the bracket to the T-shaped plastic outlet with 2pcs ST3.5x12mm screws provided.



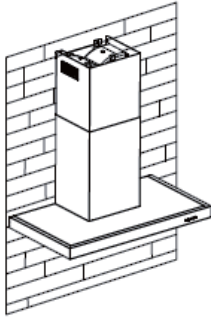
3. Drill 2 holes to accommodate the wall plugs, then screw and tighten the bracket onto the wall with 2pcs ST4x30mm screws provided.



4. Attach the exhaust pipe onto the air outlet of the cooker hood as shown below:



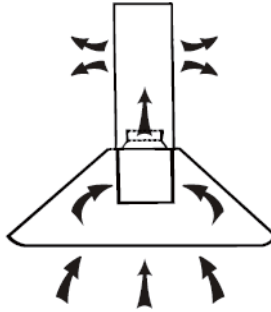
5. Install the chimney to the unit and fix it.



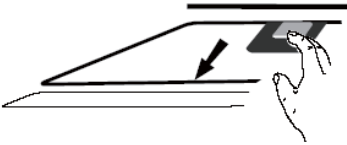
- o “Please kindly be noted: T-shaped plastic outlet and v-flaps can not be used at the same time. You can use them in two ways: 1) Add v-flap on existing outlet; 2) Use T-shaped plastic outlet, no add v-flap.”
- o “Note: The product is provided with v-flap accessory. This accessory is not mandatory for installation, operation and use of the product.”

## **INSTALLATION (VENT INSIDE)**

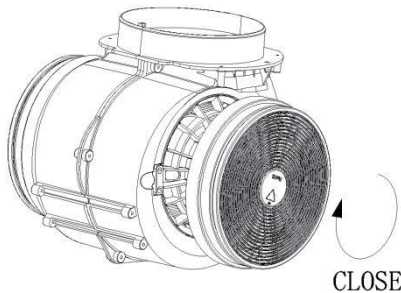
If you do not have an outlet to the outside, exhaust pipe is not required and the installation is similar to the one show in section “INSTALLATION (VENT OUTSIDE)”.



Activated carbon filter can be used to trap odors. In order to install the activated carbon filter, the grease filter should be detached first. Press the lock and pull it downward.



Plug the activated carbon filter into the unit and turn it in clockwise direction. Repeat the same on the other side.



### **NOTE:**

- o *Make sure the filter is securely locked. Otherwise, it would loosen and cause dangerous.*
- o *When activated carbon filter attached, the suction power will be lowere*

## Intended Use

**Please read this user manual thoroughly before attempting to use this plasma filter for the first time. This manual contains important information on safe installation, use and care of this filter. Retain these instructions for future reference and pass on to the next user.**

This plasma filter can only be used safely if it is correctly installed according to the safety instructions. The installer is responsible for ensuring that the appliance works correctly at its installed location.

This plasma filter is intended for domestic use and household environment only. Do not use the plasma filter for other uses than its specific purpose. Do not leave the appliance unattended during operation.

This plasma filter is intended to remove airborne dust particles, pollen, micro-organisms (house dust mites, bacteria, viruses and moulds), cigarette smoke and smells from the air. Presence of smell will still be present when you are cooking and can only be completely removed after you had finished your cooking. Harmful gases (carbon monoxide etc.) cannot be removed.

The plasma filter produces ozone, the amount will depend on the time you use the filter. When the plasma filter is placed in a well ventilated room, the amount emitted is within the set safety limits and standard. A slight ionisation smell will be present during usage and do not indicate a faulty connection or device

This appliance may be used by children over the age of 8 years old and by persons with reduced physical, sensory or mental capacity or by persons with a lack of experience or knowledge if they are supervised by someone who is responsible for their safety or have been instructed in how to use the appliance safely and have understood the risks involved in not using it properly.

Children must not play with the appliance. Cleaning and user maintenance must not be performed by children unless they are over 15 years of age and are supervised. Keep children below the age of 8 years old at a safe distance from the appliance and power cable.

Check the appliance for damage after unpacking it. Do not connect the appliance if it has been damaged during transport.



### **Important**

**This plasma filter is intended for use in combination with an extractor hood with metal grease filters**

**The manufacturer is not liable for any damage which is caused by improper use or incorrect operation.**



## Operating Instructions



**Warning:** Only use the plasma filter in combination with an extractor unit with metal grease filters. Always ensure that the plasma filter is in a location with good oxygen supply and good permanent ventilation. Please refer to your extractor hood user manual.

### Operating the Plasma Filter on the Extractor Hood

Touch the sensor buttons gently on the control panel on the extractor to operate this appliance.

To achieve better air extraction, it is advisable to switch on the extractor hood a few minutes before starting to cook and leave it on for approximately 15 minutes after cooking or at least all cooking smell is completely removed.

The plasma filter uses a sensor switch that reacts to the air flow from the extractor hood. When the extractor hood is switch ON, the air pass through a sensor to activate the plasma filter automatically. It may take approximately 20 to 30 seconds to activate the plasma filter depending on the type of extractor hood.

The indicator lamp on the plasma filter will light up and an audio signal will sound to indicate that the plasma filter is now switch ON.

### Cleaning the Plasma Filter

- Little maintenance is needed as the plasma filter is cleaned automatically as soon as it is put into operation. The electrodes exhibit a very long lifetime and are nearly indestructible in destined operation.
- The activated carbon filter is regenerated at each process, keeps its pores clean and is expected to last for not less than 6 years if the activated carbon filter is use for not more than 4 hours a day. Usage of more than 4 hours a day will reduce the lifespan of the activated carbon filter.

**Note:** It is important to follow the maintenance instructions of your extractor hood. The grease filter must be clean regularly and/or replace at appropriate intervals to prevent contamination.

### Periodic Maintenance for Plasma Filter

To ensure that your plasma filter is in satisfactory working condition, contact your local After Sales Center once every 5 years to do periodic inspection on the plasma filter.

## Trouble Shooting

<b>Problem</b>	<b>Possible Cause</b>	<b>Solution</b>
The Plasma Filter Does Not Work	No electricity supply Faulty Fuse Power Trip	Check power plug is connected properly and main power switch is turned on Check the fuse box of the plasma filter to ensure fuse is not blown Check if other electrical appliance are working
The Indicator Lamp on the Plasma Filter Did Not Light Up	Air Sensor Switch might be faulty PCB Board Failure	Please contact your local After Sales Center

## DESCRIPTION OF COMPONENTS

### CONFIGURATION 1

1

2

3

B

B<sup>+</sup>



## OPERATION

1

### **Low Speed button**

It's used for Ventilation on the kitchen. It is suitable for simmering and cooking which do not make much steam.

2

### **Medium Speed button**

Airflow speed is ideally for ventilation in standard cooking operation.

3

### **High Speed button**

When high density of smoke or steam produced, press high-speed button for high effective ventilation.

B

### **Boost 1(speed 4)**

Press speed b button 1, the backlit of speed B button is on, and the cooker hood is working at boost mode ;

B<sup>+</sup>

### **Boost 2(speed 5)**

Press speed b button 2, the backlit of speed B<sup>+</sup> button is on, and the cooker hood is working at boost mode ;



### **Light**

**Short press for lighting on & off**

**Quick timer:** Long press the light button hold for 3 seconds, fan speed buttons will flashing & into 5minutes count down, after 5 minutes motor & light will turn off automatic with three Buzzer sound.



### **Wi-Fi Connection**

Long press WiFi icon and enter into connecting mode: the backlit of WiFi icon keep flashing indicate the connection is under connecting, the backlit of WiFi icon is light on indicate it is connected, same for standby mode; long press WiFi icon again and the connection will be stopped;

## CONFIGURATION 2

1

2

3

B



### STANDBY MODE.

After plug in, all lighting, system in **STANDBY MODE**.

1

#### Low Speed button

It's used for Ventilation on the kitchen. It is suitable for simmering and cooking which do not make much steam.

2

#### Medium Speed button

Airflow speed is ideally for ventilation in standard cooking operation.

3

#### High Speed button

When high density of smoke or steam produced, press high-speed button for high effective ventilation.

B

#### Booster function

This hood has a booster function. To activate the booster, Press

**B** to speed 4, enter into highest speed while the hood is in use and it will increase speed for 5 minutes, before slowing down again.



#### Light

**Short press for lighting on & off**

**Quick timer:** Long press the light button hold for 3 seconds, fan speed buttons will flashing & into 5minutes count down, after 5 minutes motor & light will turn off automatic with three Buzzer sound.



#### Wi-Fi Connection

Long press WiFi icon and enter into connecting mode: the backlit of WiFi icon keep flashing indicate the connection is under connecting, the backlit of WiFi icon is light on indicate it is connected, same for standby mode; long press WiFi icon again and the connection will be stopped;

## Download hOn App



First of all, you should download hOn APP and install to your portable device. Then enroll your hood.



### NOTE

**Get ready to add your appliance**

- 1 Stay close to your appliance
- 2 While in front of your appliance, ensure that your smartphone is connected to a 2.4GHz Wi-Fi network with a stronger signal

**CHANGE WI-FI SETTINGS**

- 3 Public networks are not allowed due to low security and reliability.
- 4 Prepare to enter your Home Wi-Fi password.

### ENROLLMENT HAIER HOOD



*The image of the hood has the only purpose of presenting it. May not be perfectly representative.*

1- Press the WiFi button until the icon starts blinking When the pairing is completed the WiFi icon will be on.

## **MAINTENANCE**

Before cleaning switch the unit off and pull out the plug.

### **I. Regular Cleaning**

Use a soft cloth moistened with hand-warm mildly soapy water or household cleaning detergent. Never use metal pads, chemical, abrasive material or stiff brush to clean the unit.

### **II. Monthly Cleaning for Grease Filter**

*ESSENTIAL: Clean the filter every month can prevent any risk of fire.*

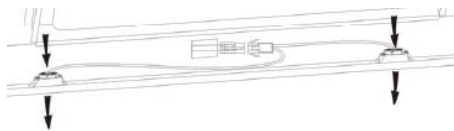
The filter collects grease, smoke and dust..... so the filter is directly affecting the efficiency of the cooker hood. If not cleaned, the grease residue (potential flammable) will saturate on the filter. Clean it with household cleaning detergent.

### **III. Annual Cleaning for Activated Carbon Filter**

Apply SOLELY to unit that installed as a recirculation unit (not vented to the outside). This filter traps odors and must be replaced at least once a year depending on how frequent the cooker hood used.

### **IV. Changing a light bulb**

Remove the screws on the glass, take off the hood glass. Find the bulb that requires replacement, you will find it located in the light fixture which is inside the exposed section of the canopy.



Disconnect the light wiring point and remove the bulb holders and wiring from the hood. Important: It's not possible to replace the bulbs individually, it will be necessary to obtain the bulbs, bulb holders and wiring as a complete part. (LED light: MAX 1.5W)

Fit the replacement bulbs, bulb holders and wiring in the same manners as the originals. Then reconnect the light wiring point.

Refit the hood glass and fasten the glass screws. Make sure the screws are fully tightened.

## **TROUBLESHOOTING**

<b>Fault</b>	<b>Cause</b>	<b>Solution</b>
Light on, but fan does not work	The fan blade is jammed.	Switch off the unit and repair by qualified service personnel only.
	The motor is damaged.	
Both light and fan do not work	Halogen light bulb burn.	Replace the bulb with correct rating.
	Power cord looses.	Plug in to the power supply again.
Serious Vibration of the unit	The fan blade is damaged.	Switch of the unit and repair by qualified service personnel only.
	The fan motor is not fixed tightly.	Switch off the unit and repair by qualified service personnel only.
	The unit is not hung properly on the bracket.	Take down the unit and check whether the bracket is in proper location.
Suction performance not good	Too long distance between the unit and the cooking plane	Readjust the distance to 65-75cm

Technology	Wi-Fi
Standard	802.11 b/g/n
Frequency Band(s)[MHz]	2400 MHz - 2483.5 MHz
Maximum Power[mW]	100 mW

<b>Product information for networked equipment</b>	
power consumption of the product in networked standby if all wired network ports are connected and all wireless network ports are activated:	2W
How to activate wireless network port:	If the Hood has been enrolled with the APP, turn on the Hood to activate wireless network port.
How to deactivate wireless network port:	If the Hood has been enrolled with the APP, turn off the Hood to deactivate wireless network port. If the Hood hasn't been enrolled with the APP, wireless network port will be deactivated even the Hood is on.

## **CUSTOMER ASSISTANCE SERVICE**

If you cannot identify the cause of the operating anomaly, switch off the appliance and contact the Assistance Service.

PRODUCT SERIAL NUMBER. Where can I find it?

It is important you to inform the Assistance Service of your product code and its serial number (a 16 character code which begins with the number 3); this can be found on the guarantee certificate or on the data plate located on the appliance.

It will help to avoid wasted journeys to technicians, thereby (and most significantly) saving the corresponding callout charges.

This appliance is marked according to the European directive 2012/19/EU on Waste Electrical and Electronic Equipment (WEEE).



WEEE contains both polluting substances (which can cause negative consequences for the environment) and basic components (which can be re-used). It is important to have WEEE subjected to specific

treatments, in order to remove and dispose properly all pollutants, and recover and recycle all materials.

Individuals can play an important role in ensuring that WEEE does not become an environmental issue; it is essential to follow some basic rules:

WEEE should not be treated as household waste;

WEEE should be handed over to the relevant collection points managed by the municipality or by registered companies. In many countries, for large WEEE, home collection could be present.

In many countries, when you buy a new appliance, the old one may be returned to the retailer who has to collect it free of charge on a one-to-one basis, as long as the equipment is of equivalent type and has the same functions as the supplied equipment.



# MANUALE D'INSTALLAZIONE E D'USO

## **INDICE**

INTRODUZIONE.....	24
AVVERTENZE PER LA SICUREZZA.....	24
IMPIANTO ELETTRICO .....	26
INSTALLAZIONE (MONTAGGIO A PARETE) .....	28
INSTALLAZIONE (SFIATO INTERNO) .....	34
DESCRIZIONE DEI COMPONENTI.....	39
MANUTENZIONE .....	42
QUALCOSA NON FUNZIONA .....	43
SERVIZIO ASSISTENZA CLIENTI.....	44

## **INTRODUZIONE**

### **Grazie per aver scelto questa cappa.**

Il presente manuale di istruzioni ha lo scopo di fornire tutte le istruzioni necessarie per l'installazione, l'uso e la manutenzione dell'elettrodomestico. Per un uso corretto e sicuro dell'elettrodomestico, leggere attentamente questo manuale di istruzioni prima dell'installazione e dell'uso.

La cappa utilizza materiali di alta qualità ed è realizzata con un design aerodinamico. Dotata di motore elettrico di grande potenza e ventola centrifuga, fornisce anche una forte potenza di aspirazione, funzionamento a basso rumore, filtro antiaderente per grassi e facile installazione di montaggio.

Con la presente Candy Hoover Group Srl dichiara che l'apparecchiatura radio è conforme alla Direttiva 2014/53/UE e ai relativi requisiti di legge (per il mercato UKCA). Il testo completo della dichiarazione di conformità è disponibile al seguente indirizzo internet: [www.candy-group.com](http://www.candy-group.com)

## **AVVERTENZE PER LA SICUREZZA**

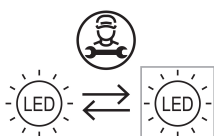
- Non lasciare mai che i bambini facciano funzionare l'elettrodomestico.
- La cappa è destinata al solo uso domestico e non è adatta per barbecue, rosticcerie e altri usi commerciali.
- La cappa e il suo filtro devono essere puliti regolarmente per garantirne il buono stato di funzionamento.
- Pulire la cappa secondo il manuale di istruzioni per evitare il rischio di bruciature.
- Si sconsiglia la cottura diretta dal fornello a gas. Si consiglia di tenere una buona convezione in cucina.
- Prima di collegare l'elettrodomestico controllare che il cavo di alimentazione non sia danneggiato. Un cavo di alimentazione danneggiato deve essere sostituito solo da personale di assistenza qualificato.
- Deve esserci un'adeguata ventilazione dell'ambiente quando si utilizza la cappa aspirante insieme ad elettrodomestici con combustione a gas o altri combustibili;
- L'aria non deve essere scaricata in una canna fumaria usata per i fumi da elettrodomestici con combustione a gas o altri;
- È necessario rispettare le normative relative allo scarico dell'aria.
- I bambini devono essere supervisionati per assicurarsi che

non giochino con l'elettrodomestico.

- Non effettuare cotture flambé sotto la cappa aspirante.
- La cappa non è destinata ad essere installata su un piano cottura con più di quattro elementi di cottura
- Questi devono essere un'adeguata ventilazione della stanza quando la cappa aspirante è usata allo stesso tempo di elettrodomestici che bruciano gas o altri combustibili (non applicabile agli elettrodomestici che scaricano solo l'aria indietro nella stanza);
- i dettagli relativi al metodo e alla frequenza della pulizia.
- se la pulizia non viene effettuata in accordo con le istruzioni, sussiste il rischio di incendi;
- non accendere fiamme libere sotto la cappa aspirante;
- **ATTENZIONE:** le parti accessibili possono diventare calde quando vengono utilizzate con elettrodomestici di cottura.

### **Rischio di elettrocuzione**

- Inserire l'elettrodomestico solo in una presa correttamente collegata a terra. In caso di dubbio, rivolgersi ad un tecnico qualificato.
- Il mancato rispetto di queste istruzioni può provocare la morte, incendi o elettrocuzione.



La lampada utilizzata in questo prodotto non è adatta per l'uso nell'illuminazione di una stanza.

Lo scopo di questa lampada è fornire illuminazione per l'utilizzo del prodotto.

## Impianto elettrico

Tutte le installazioni devono essere eseguite da una persona competente o da un elettricista qualificato. Prima di collegare l'alimentazione di rete, assicurarsi che la tensione di rete corrisponda a quella indicata sulla targhetta.

### Collegamento diretto

L'elettrodomestico deve essere collegato direttamente alla rete usando un interruttore onnipolare con un'apertura minima di 3 mm tra i contatti.

L'installatore deve assicurarsi che sia stato effettuato il corretto collegamento elettrico e che sia conforme allo schema elettrico.

Il cavo non deve essere piegato o schiacciato.


Controllare regolarmente che la spina e il cavo di alimentazione non siano danneggiati. Se il cavo di alimentazione è danneggiato, deve essere sostituito con un cavo o un gruppo di cavi speciale disponibile dal produttore o dal suo agente di servizio.

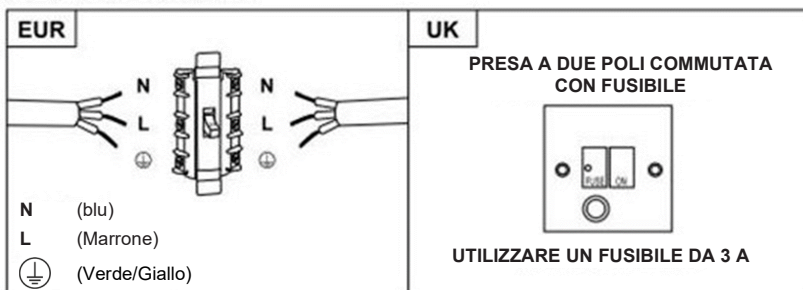
### AVVERTENZA: Questo è un elettrodomestico di classe I e DEVE essere messo a terra

Questo elettrodomestico viene fornito con un cavo di rete a 3 conduttori colorato come segue:

Marrone = L o alimentato

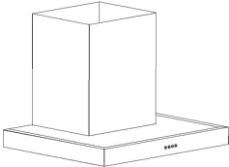
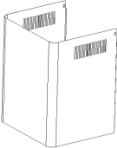
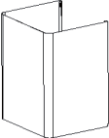

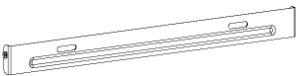
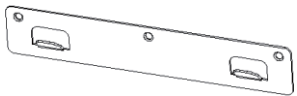





Blu = N o Neutro

Verde e giallo = E o Terra 



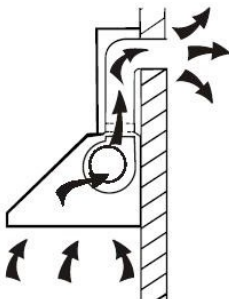
**Il fusibile deve avere una potenza di 3 A.**

## Elenco degli accessori per l'installazione standard

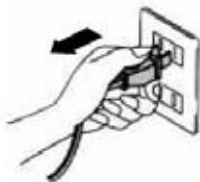
Specif.	Illustrazione Immagine	Quantità
Involucro		1
Canna fumaria superiore		1
Canna fumaria inferiore		1
Staffa canna fumaria inferiore		1
Staffa canna fumaria superiore		1
Piastra di sospensione		1
Tassello ad espansione Ø 8 Ø 8xØ 6 colore bianco		9
Viti ST4,0x30		9
Viti Ø 7,2 ST4,0x8		2
Uscita dell'aria		1
Filtro al carbonio		2

## **INSTALLAZIONE (montaggio a parete)**

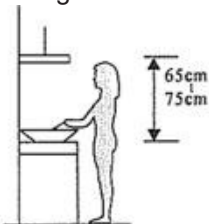
Se avete un'uscita verso l'esterno, la vostra cappa può essere collegata come nell'immagine sottostante per mezzo di un condotto di estrazione (smalto, alluminio, tubo flessibile non infiammabile con un diametro interno di 150 mm)



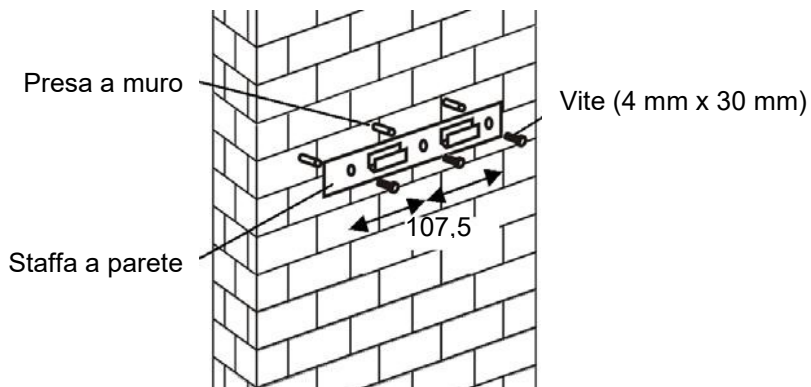
1. Prima dell'installazione, spegnere l'elettrodomestico e staccarlo dalla presa.



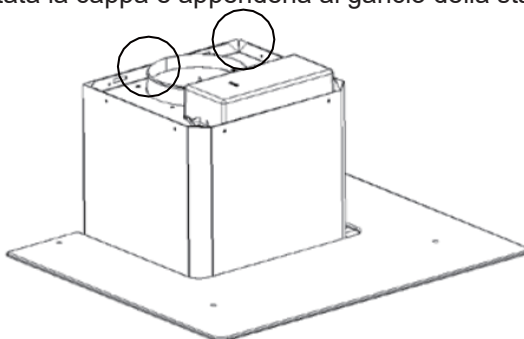
2. La cappa deve essere posizionata ad una distanza di circa 65-75 cm dal piano di cottura per ottenere i migliori effetti.



3. Praticare 3 fori da 8 mm per alloggiare la staffa. Avvitare e stringere la staffa sul muro con le viti fornite.



4. Lasciare montata la cappa e appenderla al gancio della staffa a muro.

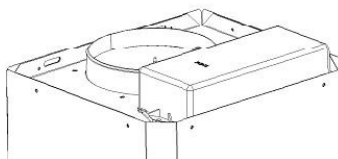


5. Fissare la valvola unidirezionale all'uscita dell'aria della cappa.  
Poi, attaccare il tubo di scarico sulla valvola unidirezionale come mostrato qui sotto.

Tubo di scarico



Cappa

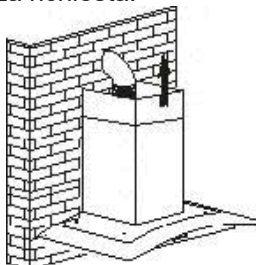


6.

- i. Posizionare il vetro nella posizione appropriata sulla parte superiore della cappa.
- ii. Fissare con 4 viti e rondella. Per evitare che il vetro si incrina, si prega di non serrare troppo le viti.

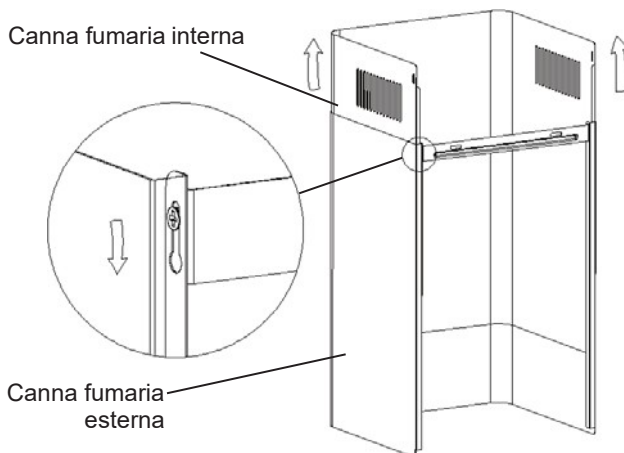
7.

- i. Mettere la canna fumaria nella canna fumaria esterna, poi sollevare la canna fumaria interna tirando verso l'alto. Regolare fino a raggiungere l'altezza richiesta.



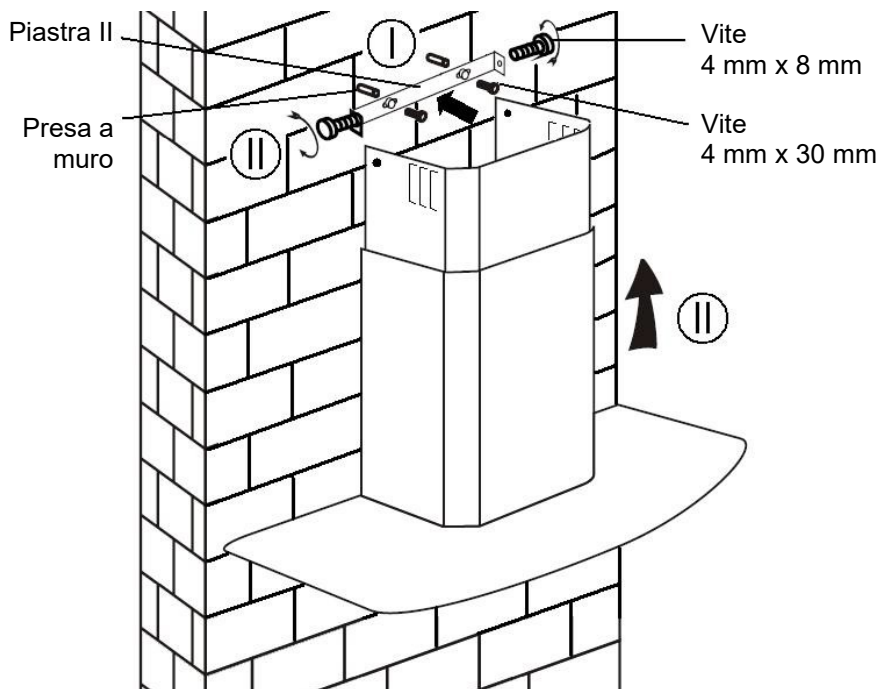
- ii. Fare scorrere la canna fumaria per regolarne l'altezza. Quando si raggiunge l'altezza desiderata, inserire il foro di fissaggio nelle viti di fissaggio come mostrato nelle immagini sottostanti.



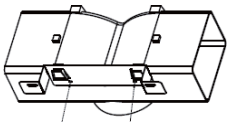
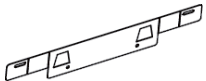





8.

- i. Praticare 2 fori da 8 mm per inserire la piastra II. Avvitare e serrare la piastra II al muro con 2 viti fornite.
- ii. Montare la canna fumaria sull'elettrodomestico e fissarla con 2 viti.



## Elenco degli accessori per l'installazione standard

Specif.	Illustrazione Immagine	Quantità
Deflettore d'aria		1
Staffa		1
Tasselli ad espansione Ø 8 Ø8× Ø6 colore bianco		2
Viti ST4,0x30		2
Viti ST3,5x12		2

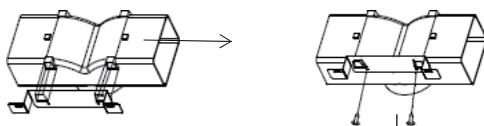
## **INSTALLAZIONE (DEFLETTORE D'ARIA):**

Il deflettore d'aria è indicato come incluso e non opzionale.

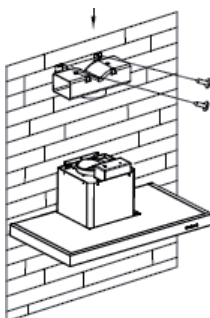
1. Prima del montaggio, curvare entrambe le estremità della staffa come mostrato di seguito:



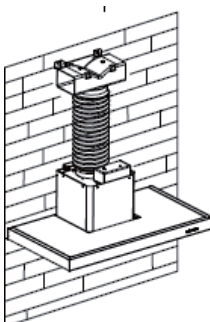
2. Fissare la staffa all'uscita in plastica a T con 2 viti ST3,5x12 mm fornite.



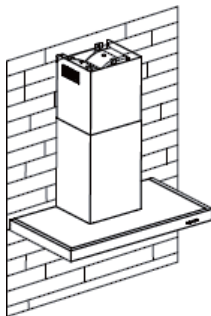
3. Praticare 2 fori per inserire i tasselli, poi avvitare e serrare la staffa sul muro con 2 viti ST4x30 mm fornite.



4. Fissare il tubo di scarico all'uscita dell'aria della cappa come mostrato di seguito:



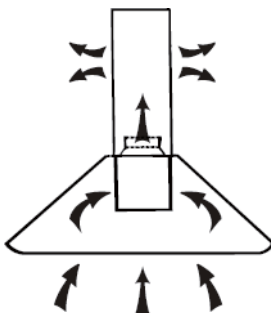
5. Installare la canna fumaria sull'elettrodomestico e fissarla.



- Notare quanto segue: L'uscita in plastica a T e le alette a V non possono essere usate contemporaneamente. Potete usarle in due modi: 1) Aggiungere un'aletta a V sull'uscita esistente; 2) Usare un'uscita in plastica a T, senza aggiungere un'aletta a V.
- Nota: Il prodotto viene fornito con l'accessorio aletta a V. Questo accessorio non è obbligatorio per il montaggio, il funzionamento e l'uso del prodotto.

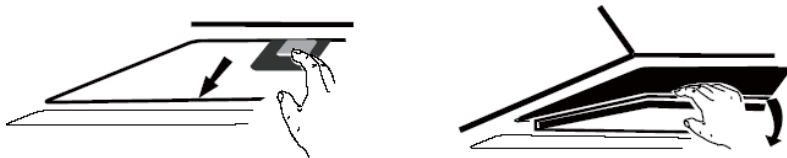
## **INSTALLAZIONE (SFIATO INTERNO)**

Se non si dispone di uno scarico all'esterno, il tubo di scarico non è necessario e l'installazione è simile a quella indicata nella sezione "Installazione (scarico all'esterno)".

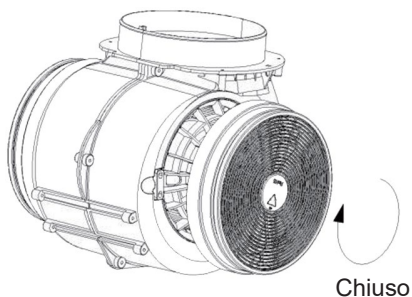


Il filtro al carbone attivo si utilizza per filtrare gli odori.

Per montare il filtro al carbone attivo, il filtro per grasso essere tolto. Premere il fermo e tirarlo verso il basso.



Mettere il filtro al carbone attivo nell'elettrodomestico e fissarlo facendolo ruotare. Ripetere la stessa operazione sull'altro lato.



**NOTA:**

- o *Accertarsi che il filtro sia fissato saldamente. In caso contrario, il filtro potrebbe staccarsi e provocare danni.*
- o *Quando il filtro al carbone attivo è collegato, la potenza di aspirazione diminuisce*

## Uso previsto

**Prima del primo utilizzo del filtro al plasma, si prega di leggere attentamente questo manuale per l'utente. Il manuale contiene informazioni importanti sull'installazione, l'uso e la cura di questo filtro in tutta sicurezza. Conservare queste istruzioni per riferimento futuro e passarle all'utente successivo.**

Questo filtro al plasma può essere utilizzato in sicurezza solo se installato correttamente secondo le istruzioni di sicurezza. L'installatore è responsabile del corretto funzionamento dell'apparecchio nel luogo di installazione.

Questo filtro al plasma è destinato esclusivamente all'uso e all'ambiente domestico. Non utilizzare il filtro al plasma per usi diversi dal suo scopo specifico. Non lasciare l'apparecchio incustodito durante il funzionamento.

Questo filtro al plasma ha lo scopo di rimuovere dall'aria particelle di polvere, polline, microrganismi (acari della polvere domestica, batteri, virus e muffe), fumo di sigaretta e odori. Gli odori saranno ancora presenti durante la cottura e potranno essere eliminati completamente solo al termine della stessa. I gas nocivi (monossido di carbonio, ecc.) non possono essere eliminati.

Il filtro al plasma produce ozono, la cui quantità dipenderà dal tempo di utilizzo del filtro. Quando il filtro al plasma viene collocato in un locale ben ventilato, la quantità emessa rientra nei limiti e negli standard di sicurezza stabiliti. Durante l'uso si sentirà un leggero odore di ionizzazione, che tuttavia non indicherà un difetto della connessione o del dispositivo.

Questo apparecchio può essere usato da bambini di età superiore agli 8 anni e da persone con ridotte capacità fisiche, sensoriali o mentali oppure da persone prive di esperienza o conoscenza se sono sotto la supervisione di qualcuno che è responsabile della loro sicurezza o se hanno ricevuto le istruzioni su come utilizzarlo in sicurezza e sono consapevoli dei rischi connessi a un utilizzo non corretto.

Impedire ai bambini di giocare con l'elettrodomestico. I bambini non devono eseguire le operazioni di pulizia e manutenzione, a meno che non abbiano più di 15 anni e siano sorvegliati. Tenere i bambini di età inferiore agli 8 anni a distanza di sicurezza dall'apparecchio e dal cavo di alimentazione.

Dopo aver rimosso l'apparecchio dall'imballaggio, controllare che non sia danneggiato. Non collegare l'apparecchio se ha subito danni durante il trasporto.



### **Importante**

**Questo filtro al plasma è destinato a essere usato in combinazione con una cappa aspirante con filtri antigrasso in metallo.**

**Il produttore non è responsabile per eventuali danni causati da un uso improprio o da un funzionamento errato.**

## Istruzioni per l'uso



**Avvertenza:** Utilizzare il filtro al plasma solo in combinazione con un'unità di aspirazione con filtri antigrasso in metallo. Assicurarsi sempre che il filtro al plasma si trovi in un luogo con un buon apporto di ossigeno e una buona ventilazione permanente. Fare riferimento al manuale per l'utente della cappa aspirante.

### Utilizzo del filtro al plasma sulla cappa aspirante

Per azionare l'apparecchio toccare delicatamente i pulsanti dei sensori sul pannello di controllo dell'aspiratore.

Per ottenere una migliore estrazione dell'aria, si consiglia di accendere la cappa qualche minuto prima di iniziare la cottura e di lasciarla accesa per circa 15 minuti dopo la cottura o almeno fino a quando gli odori della cottura non saranno completamente eliminati.

Il filtro al plasma utilizza un interruttore a sensore che reagisce al flusso d'aria proveniente dalla cappa aspirante. All'accensione della cappa aspirante l'aria passa attraverso un sensore che attiva automaticamente il filtro al plasma. L'attivazione del filtro al plasma può richiedere da 20 a 30 secondi circa, in base al tipo di cappa aspirante.

Per indicare che il filtro al plasma è acceso, si accende la relativa spia e viene emesso un segnale acustico.

## Pulizia del filtro al plasma

- Il filtro al plasma necessita di poca manutenzione, poiché viene pulito automaticamente non appena viene messo in funzione. Gli elettrodi hanno una durata molto lunga e sono quasi indistruttibili nel funzionamento previsto.
- Il filtro a carboni attivi viene rigenerato a ogni processo, mantiene i pori puliti e si prevede che duri almeno 6 anni se viene utilizzato per non più di 4 ore al giorno. Utilizzare il filtro a carboni attivi oltre le 4 ore al giorno ne riduce la durata.

**Nota:** è importante seguire le istruzioni di manutenzione della cappa aspirante. Per evitare contaminazioni il filtro antigrasso deve essere pulito regolarmente e/o sostituito a intervalli regolari.

## Manutenzione periodica del filtro al plasma

Per garantire che il filtro al plasma funzioni in modo soddisfacente, ogni 5 anni contattare il centro post-vendita locale per eseguire un'ispezione periodica del filtro.

## Soluzione dei problemi

Problema	Causa possibile	Soluzione
Il filtro al plasma non funziona	Nessuna fornitura di energia elettrica Fusibile difettoso Anomalia di corrente	Verificare che la spina di alimentazione sia collegata correttamente e che l'interruttore di alimentazione principale sia acceso Controllare la scatola dei fusibili del filtro al plasma per assicurarsi che il fusibile non sia bruciato Controllare se gli altri elettrodomestici funzionano
La spia sul filtro al plasma non si accende	L'interruttore del sensore dell'aria potrebbe essere difettoso Guasto della scheda PCB	Si prega di contattare il centro post-vendita locale



## DESCRIZIONE DEI COMPONENTI

### CONFIGURAZIONE 1

1

2

3

B

B<sup>+</sup>



## FUNZIONAMENTO

1

### **Pulsante bassa velocità**

È usato per la ventilazione sulla cucina. È adatto per la cottura a fuoco lento e la cottura che non producono molto vapore.

2

### **Pulsante media velocità**

La velocità del flusso d'aria è ideale per la ventilazione durante la cottura standard.

3

### **Pulsante alta velocità**

Quando viene prodotta un'alta densità di fumo o vapore, premere il pulsante alta velocità per un'alta ventilazione efficace.

B

### **Boost 1 (velocità 4)**

Premere il pulsante 1 della velocità b, la retroilluminazione del pulsante della velocità B è accesa, e la cappa funziona in modalità boost;

B<sup>+</sup>

### **Boost 2 (velocità 5)**

Premere il pulsante 2 della velocità b, la retroilluminazione della velocità B<sup>+</sup> è accesa, e la cappa funziona in modalità boost;



### **Luce**

#### **Breve pressione per accendere e spegnere l'illuminazione**

**Timer rapido:** Premere a lungo il pulsante luce e tenerlo premuto per 3 secondi, i pulsanti di velocità del ventilatore lampeggiano ed entro 5 minuti inizia il conto alla rovescia; dopo 5 minuti motore e luce si spengono automaticamente e l'avvisatore acustico si attiva per tre volte.



### **Collegamento Wi-Fi**

Premere a lungo l'icona Wi-Fi ed entrare in modalità di collegamento: la retroilluminazione dell'icona Wi-Fi continua a lampeggiare per indicare che il collegamento è in corso, la retroilluminazione dell'icona Wi-Fi è accesa per indicare che è collegata, lo stesso dicasi per la modalità standby; premere nuovamente a lungo l'icona Wi-Fi e il collegamento verrà interrotto;

## CONFIGURAZIONE 2

1

2

3

B



### MODALITÀ STANDBY.

Dopo la connessione, tutte le luci e il sistema sono in **modalità STANDBY**.

1

#### **Pulsante bassa velocità**

È usato per la ventilazione sulla cucina. È adatto per la cottura a fuoco lento e la cottura che non producono molto vapore.

2

#### **Pulsante media velocità**

La velocità del flusso d'aria è ideale per la ventilazione durante la cottura standard.

3

#### **Pulsante alta velocità**

Quando viene prodotta un'alta densità di fumo o vapore, premere il pulsante alta velocità per un'alta ventilazione efficace.

B

#### **Funzione booster**

Questa cappa ha una funzione booster. Per attivare il booster, premere **B** alla velocità 4, entrare nella velocità massima mentre la cappa è in uso e aumenterà la velocità per 5 minuti, prima di rallentare nuovamente.



#### **Luce**

#### **Breve pressione per accendere e spegnere l'illuminazione**

**Timer rapido:** Premere a lungo il pulsante luce e tenerlo premuto per 3 secondi, i pulsanti di velocità del ventilatore lampeggiano ed entro 5 minuti inizia il conto alla rovescia; dopo 5 minuti motore e luce si spengono automaticamente e l'avvisatore acustico si attiva per tre volte.



#### **Collegamento Wi-Fi**

Premere a lungo l'icona Wi-Fi ed entrare in modalità di collegamento: la retroilluminazione dell'icona Wi-Fi continua a lampeggiare per indicare che il collegamento è in corso, la retroilluminazione dell'icona Wi-Fi è accesa per indicare che è collegata, lo stesso dicasi per la modalità standby; premere nuovamente a lungo l'icona Wi-Fi e il collegamento verrà interrotto;

## Scaricare l'applicazione hOn



Prima di tutto, scaricare l'App hOn e installarla sul vostro dispositivo portatile. Poi registrare la propria cappa.



### NOTA

**Get ready to add your appliance**

- 1 Stay close to your appliance
- 2 While in front of your appliance, ensure that your smartphone is connected to a 2.4GHz Wi-Fi network with a stronger signal

**CHANGE WI-FI SETTINGS**

- 3 Public networks are not allowed due to low security and reliability.
- 4 Prepare to enter your Home Wi-Fi password.

### REGISTRAZIONE CAPP A HAIER



*L'immagine della cappa ha il solo scopo di presentarla. Può non essere perfettamente rappresentativa.*

1- Premere il pulsante Wi-Fi fino a quando l'icona non inizia a lampeggiare. Quando l'abbinamento è completato, l'icona Wi-Fi sarà accesa.

## **MANUTENZIONE**

Prima della pulizia spegnere l'elettrodomestico ed estrarre la spina.

### **I. Pulizia regolare**

Utilizzare un panno morbido inumidito con acqua tiepida leggermente insaponata o un detergente per la pulizia della casa. Non utilizzare mai tamponi metallici, prodotti chimici, abrasivi o spazzole rigide per pulire l'elettrodomestico.

### **II. Pulizia mensile del filtro per i grassi**

*ESSENZIALE: Pulire il filtro ogni mese può prevenire qualsiasi rischio di incendio.*

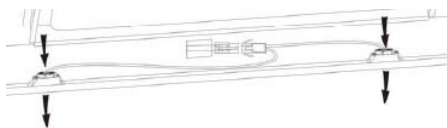
Il filtro raccoglie grasso, fumo e polvere... quindi il filtro influenza direttamente l'efficienza della cappa. Se non pulito, il residuo di grasso (potenzialmente infiammabile) si satura sul filtro. Pulirlo con un detergente per la casa.

### **III. Pulizia annuale del filtro a carbone attivo**

Applicare SOLO all'elettrodomestico installato come unità di ricircolo (senza scarico verso l'esterno). Questo filtro trattiene gli odori e deve essere sostituito almeno una volta all'anno a seconda della frequenza di utilizzo della cappa.

### **IV. Cambiare una lampadina**

Togliere le viti sul vetro, togliere il vetro della cappa. Trovare la lampadina che deve essere sostituita, la troverete situata nel dispositivo di illuminazione che si trova all'interno della sezione esposta della protezione.



Scollegare il punto di cablaggio della luce e rimuovere i portalampada e il cablaggio dalla cappa. Importante: Non è possibile sostituire le lampadine singolarmente, sarà necessario richiedere le lampadine, i portalampada e il cablaggio come ricambio completo. (Luce a LED: max. 1,5 W)

Montare le lampadine di ricambio, i portalampada e il cablaggio nello stesso modo dei componenti. Poi ricollegare il punto di cablaggio della luce.

Rimontare il vetro della cappa e fissare le viti del vetro. Assicurarsi che le viti siano completamente serrate.

## **QUALCOSA NON FUNZIONA**

<b>Anomalia</b>	<b>Causa</b>	<b>Cosa fare</b>
La luce è accesa, ma la ventola non funziona	La pala della ventola è bloccata.	Spegnere l'elettrodomestico e fare riparare solo da personale di assistenza qualificato.
	Il motore è danneggiato.	
Sia la luce che la ventola non funzionano	Lampadina alogena bruciata.	Sostituire la lampada con un'altra di pari capacità.
	Il cavo di alimentazione si stacca.	Collegarlo di nuovo all'alimentazione.
Grave vibrazione dell'elettrodomestico	La pala della ventola è danneggiata.	Spegnere l'elettrodomestico e farlo riparare solo da personale di assistenza qualificato.
	Il motore della ventola non è fissato saldamente.	Spegnere l'elettrodomestico e fare riparare solo da personale di assistenza qualificato.
	L'elettrodomestico non è appeso correttamente alla staffa.	Togliere l'elettrodomestico e verificare che la staffa sia posizionata correttamente.
Potenza di aspirazione non buona	Distanza eccessiva tra l'elettrodomestico e il piano di cottura	Regolare nuovamente la distanza a 65-75 cm

Tecnologia	Wi-Fi
Norma	802.11 b/g/n
Banda(e) di frequenza [MHz]	2400 MHz - 2483,5 MHz
Potenza massima [mW]	100 mW

<b>Informazioni sui prodotti per apparecchiature collegate in rete</b>	
consumo di energia del prodotto in standby in rete se tutte le porte di rete cablate sono collegate e tutte le porte di rete wireless sono attivate:	2 W
Come attivare la porta di rete wireless:	Se la cappa è stata registrata con l'APP, accendere la cappa per attivare la porta di rete wireless.
Come disattivare la porta di rete wireless:	Se la cappa è stata registrata con l'APP, spegnere la cappa per disattivare la porta di rete wireless. Se la cappa non è stata registrata con l'APP, la porta di rete wireless sarà disattivata anche se la cappa è accesa.

## **SERVIZIO ASSISTENZA CLIENTI**

Se non è possibile identificare la causa dell'anomalia di funzionamento, spegnere l'elettrodomestico e contattare il servizio di assistenza.

NUMERO DI SERIE DEL PRODOTTO. Dove lo trovo?

È importante che comunichiate al Servizio di Assistenza il codice del vostro prodotto e il suo numero di serie (un codice di 16 caratteri che inizia con il numero 3), che si trova sul certificato di garanzia o sulla targhetta dei dati situata sull'elettrodomestico.

Aiuterà ad evitare viaggi inutili dai tecnici, risparmiando così (e in modo più significativo) le spese di chiamata corrispondenti.



Questo elettrodomestico dispone di contrassegno ai sensi della direttiva europea 2012/19/UE sui rifiuti di apparecchiature elettriche ed elettroniche (RAEE).

I RAEE contengono sia sostanze inquinanti (che possono causare conseguenze negative per l'ambiente) e componenti principali (che possono essere riutilizzati). È importante che i RAEE siano sottoposti a trattamenti specifici in modo da togliere e smaltire in modo corretto gli inquinanti, nonché recuperare e riciclare tutti i materiali.

Spetta ai singoli individui garantire che i RAEE non diventino un problema a livello ambientale. Esistono alcune regole specifiche da rispettare:

i RAEE non devono essere trattati come rifiuti domestici;

i RAEE devono essere affidati agli speciali centri di raccolta gestiti dai comuni o da società autorizzate. In molti stati è disponibile anche un servizio di raccolta porta a porta per i RAEE.

In caso di acquisto di nuovi elettrodomestici, quelli vecchi possono essere affidati al venditore che li deve ritirare gratuitamente in numero corrispondente agli elettrodomestici acquistati, a condizione che i singoli elettrodomestici siano di tipo simile e con le stesse funzioni di quelli acquistati.

# Notice d'installation et d'utilisation

## **SOMMAIRE**

INTRODUCTION .....	46
CONSIGNES DE SÉCURITÉ .....	46
INSTALLATION ELECTRIQUE .....	48
INSTALLATION (MONTAGE MURAL) .....	50
INSTALLATION (ÉVACUATION INTERNE).....	55
DESCRIPTION DES COMPOSANTS .....	61
ENTRETIEN.....	64
DÉPANNAGE .....	64
SERVICE APRÈS-VENTE.....	66

## **INTRODUCTION**

### **Merci d'avoir choisi cette hotte.**

Ce mode d'emploi est conçu pour vous fournir toutes les consignes requises relatives à l'installation, l'utilisation et l'entretien de l'appareil. Afin d'utiliser l'appareil correctement et en toute sécurité, veuillez lire attentivement ce mode d'emploi avant l'installation et l'utilisation.

La hotte utilise des matériaux de haute qualité et est fabriquée avec un design épuré. Équipée d'un moteur électrique de grande puissance et d'un ventilateur centrifuge, elle offre également une forte puissance d'aspiration, un fonctionnement à faible bruit, un filtre à graisse anti-adhésif ainsi qu'une installation et un montage faciles.

Par la présente, Candy Hoover Group Srl déclare que les équipements radio sont conformes à la directive 2014/53/UE et aux exigences légales applicables (pour le marché UKCA). Le texte intégral de la déclaration de conformité est disponible à l'adresse internet suivante : [www.candy-group.com](http://www.candy-group.com)

## **CONSIGNES DE SÉCURITÉ**

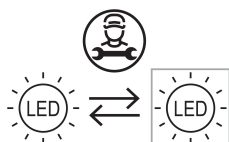
- Ne laissez jamais les enfants faire fonctionner la machine.
- La hotte est à usage domestique uniquement, ne convient pas au barbecue, au rôtissoire et à d'autres usages commerciaux.
- La hotte et son filtre doivent être nettoyés régulièrement afin de rester en bon état de fonctionnement.
- Nettoyez la hotte conformément au mode d'emploi et gardez l'appareil à l'abri du risque de brûlure.
- Interdire la cuisson directe avec une cuisinière à gaz. Veuillez garder une bonne convection dans la cuisine.
- Avant de brancher cet appareil, vérifiez que le cordon d'alimentation n'est pas endommagé. Un câble d'alimentation endommagé doit être remplacé uniquement par du personnel d'entretien qualifié.
- Il doit y avoir une ventilation adéquate de la pièce lorsque la hotte est utilisée en même temps que des appareils à gaz ou employant d'autres combustibles :
- L'air ne doit pas être évacué par un conduit utilisé pour l'évacuation des fumées d'autres appareils à gaz ou alimentés par d'autres carburants ;
- Les réglementations en matière d'évacuation de l'air doivent être respectées.



- Surveillez les enfants afin qu'ils ne jouent pas avec l'appareil.
- Ne pas faire flamber les aliments sous la hotte.
- La hotte de cuisine n'est pas destinée à être installée sur une table de cuisson ayant plus de quatre plaques de cuisson
- Il doit y avoir une ventilation adéquate de la salle lors de l'utilisation de la hotte simultanément aux appareils à gaz ou employant d'autres combustibles (non applicable aux appareils qui se contentent de décharger l'air de nouveau dans la pièce) ;
  - il doit y avoir une ventilation adéquate de la salle lors de l'utilisation de la hotte simultanément aux appareils à gaz ou employant d'autres combustibles (non applicable aux appareils qui se contentent de décharger l'air de nouveau dans la pièce) ;
- les détails concernant la méthode et la fréquence de nettoyage.
- il subsiste un risque d'incendie si le nettoyage n'est pas réalisé conformément aux instructions ;
- ne pas faire de flammes sous la hotte ;
- ATTENTION : les pièces accessibles peuvent être chaudes lorsqu'elles sont utilisées avec des appareils de cuisson.

### Risque de choc électrique

- Branchez uniquement cet appareil dans une prise correctement mise à la terre. En cas de doute, demandez conseil à un ingénieur dûment qualifié.
- Le non respect de ces instructions peut entraîner la mort ou provoquer des risques d'incendie ou de décharge électrique.



La lampe utilisée dans ce produit ne convient pas pour l'éclairage d'une pièce.

Le but de cette lampe est de fournir un éclairage pour l'utilisation du produit.

## Installation électrique

Toute installation doit être effectuée par une personne compétente ou un électricien qualifié. Avant de brancher l'alimentation électrique, assurez-vous que la tension d'alimentation correspond à la tension sur la plaque signalétique.

### Branchement direct

L'appareil doit être branché directement au secteur à l'aide d'un disjoncteur omnipolaire avec une ouverture minimale de 3 mm entre les contacts.

L'installateur doit s'assurer que le branchement électrique a été effectué correctement et qu'il est conforme au schéma de câblage.

Le câble ne doit pas être plié ou comprimé.


Vérifiez régulièrement que la prise électrique et le cordon d'alimentation ne sont pas endommagés. Si le cordon d'alimentation est endommagé, il doit être remplacé par un cordon ou un montage spécial disponible auprès du fabricant ou de son agent de maintenance.

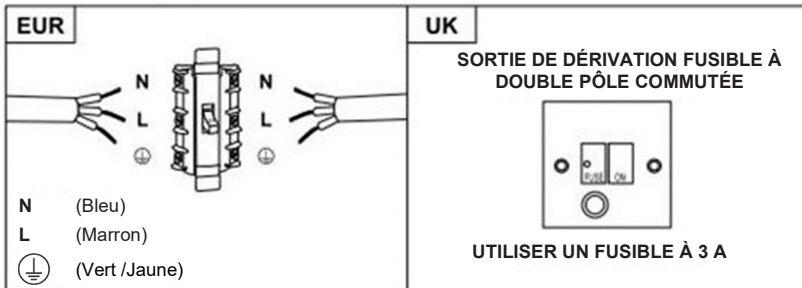
### AVERTISSEMENT : Il s'agit d'un appareil de classe I et DOIT être mis à la terre

Cet appareil est fourni avec un câble d'alimentation à 3 conducteurs colorés comme suit :

Marron = L ou Live (phase)

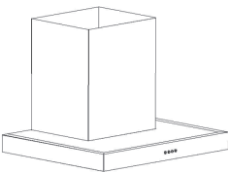

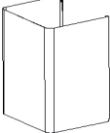

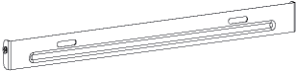
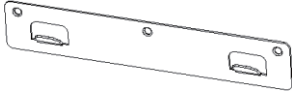





Bleu = N ou Neutre

Vert et Jaune = E ou Earth (terre) 



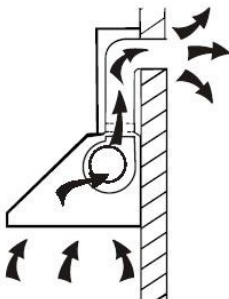
**Le fusible doit être calibré à 3 ampères.**

## Liste d'accessoires d'installation standard

Spéc.	Image d'illustration	Qté
Logement		1
Haut de conduit		1
Partie inférieure de conduit		1
Support de conduit inférieur		1
Support de conduit supérieur		1
Plaque suspendue		1
Ø8 bouchons rawl Ø8×Ø6 couleur blanche		9
Vis ST4,0×30		9
Ø7,2vis ST4.0×8		2
Sortie d'air		1
Filtre à charbon		2

## **INSTALLATION (montage mural)**

Si vous avez une sortie vers l'extérieur, votre hotte peut être raccordée comme sur l'image ci-dessous par un conduit d'évacuation (émail, aluminium, gaine souple non inflammable avec un diamètre intérieur de 150 mm)



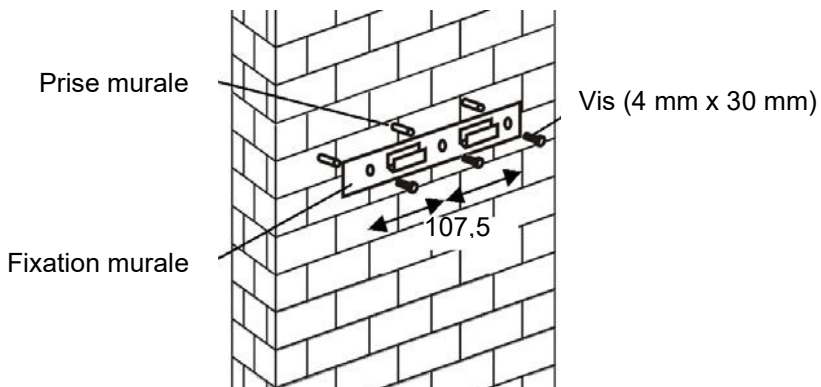
1. Avant l'installation, éteignez l'appareil et débranchez-le de la prise de courant.



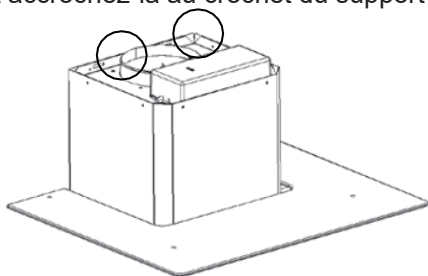
2. Pour une meilleure prestation, la hotte doit être placée à une distance de 65 à 75cm au-dessus de la plaque de cuisson.



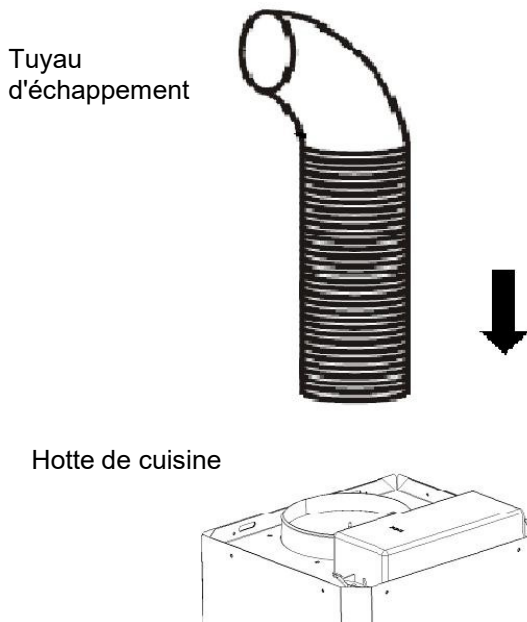
3. Percez des trous de 3 x 8 mm pour recevoir le support. Vissez et serrez le support sur le mur avec les vis fournies.



4. Laissez la hotte et accrochez-la au crochet du support mural.



5. Fixez la valve anti-retour sur la prise de sortie de l'air de la hotte. Ensuite, fixez le tuyau d'échappement sur la soupape unidirectionnelle comme indiqué ci-dessous.

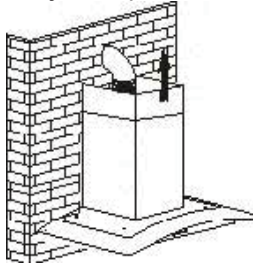


6.

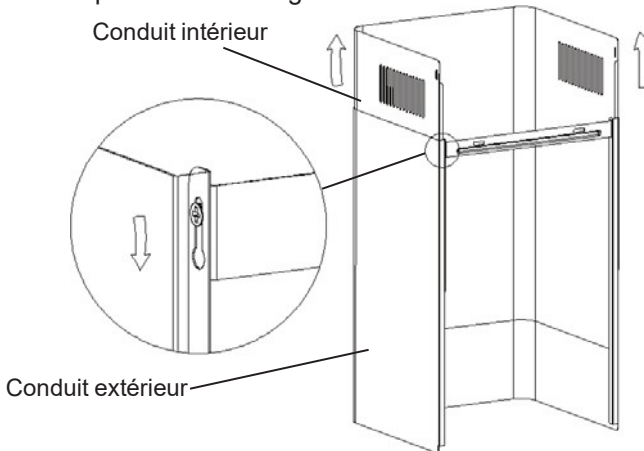
- i. Placez le verre dans la position appropriée sur le dessus de la hotte.
- ii. Fixez avec 4 vis et une rondelle. Afin d'éviter la fissuration du verre, veuillez ne pas serrer les vis trop fort.

7.

- i. En plaçant le conduit intérieur dans celui extérieur, puis en tirant celui intérieur vers le haut. Ajustez pour atteindre la hauteur requise.

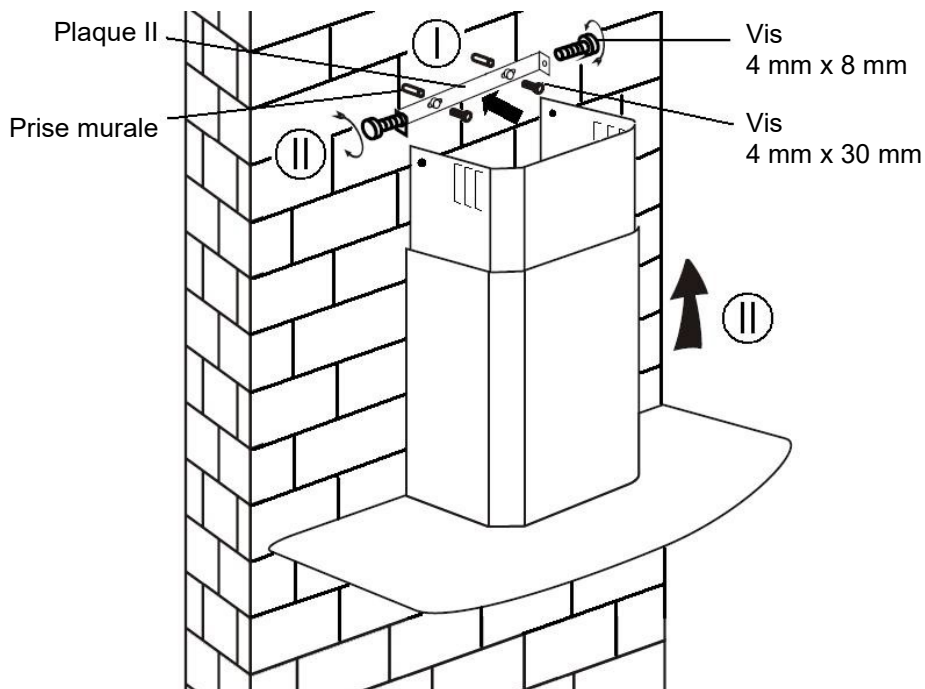


- ii. Faites glisser le conduit pour régler sa hauteur. Lorsque la hauteur requise est atteinte, accrochez le trou de fixation aux vis de fixation comme indiqué dans les images ci-dessous.

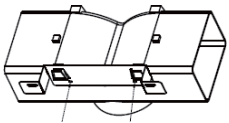
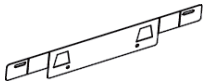





8.

- i. Percez des trous de 2 x 8 mm pour recevoir la plaque II. Vissez et serrez la plaque II sur le mur avec 2 vis fournies.
- ii. Assemblez le conduit sur l'appareil et fixez-la à l'aide de 2 vis.



## Liste d'accessoires d'installation standard

Spéc.	Image d'illustration	Qté
Collecteur-défecteur		1
Support		1
Ø8 bouchons rawl Ø8 × Ø6 couleur blanche		2
Vis ST4,0×30		2
Vis ST 3,5×12		2



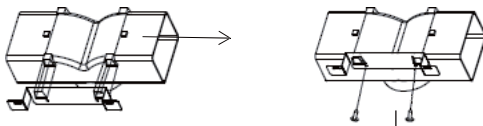
## **INSTALLATION (DÉFLECTEUR D'AIR) :**

Le déflecteur d'air est mentionné comme inclus et non optionnel.

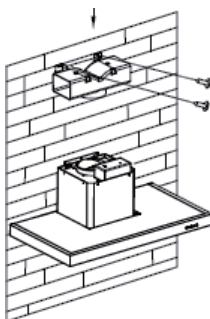
1. Avant l'installation, courbez les deux extrémités du support comme indiqué ci-dessous :



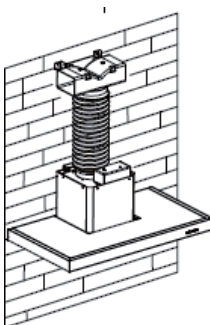
2. Fixez le support à la sortie en plastique en forme de T avec 2 vis ST 3,5x12 mm fournies.



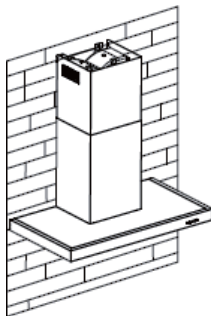
3. Percez 2 trous pour recevoir les fiches murales, puis vissez et serrez le support sur le mur avec 2 vis ST 4x30mm fournies.



4. Fixez le tuyau d'échappement sur la sortie d'air de la hotte comme indiqué ci-dessous :



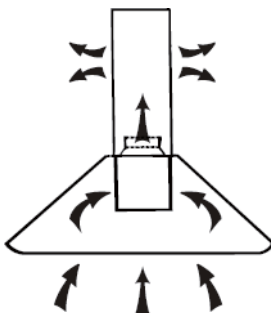
5. Installez le conduit sur l'appareil et fixez-le.



- Veuillez remarquer : Les prises en plastique en forme de T et les volets en V ne peuvent pas être utilisés en même temps. Vous pouvez les utiliser de deux façons : 1) Ajoutez un volet en V sur la prise existante ; 2) Utilisez une sortie en plastique en forme de T, sans ajouter de volet en V."
- Remarque : Le produit est équipé d'un volet en V. Cet accessoire n'est pas obligatoire pour l'installation, le fonctionnement et l'utilisation du produit."

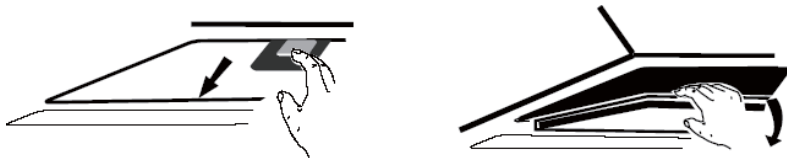
### **INSTALLATION (ÉVACUATION INTERNE)**

Si vous n'avez pas de sortie vers l'extérieur, le tuyau d'échappement n'est pas nécessaire et l'installation est similaire à celle indiquée dans la section "INSTALLATION (ÉVACUATION EXTERNE)".

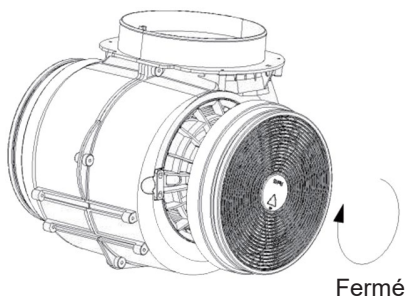


Les filtres à charbon actif sont utilisés pour absorber les odeurs.

Pour installer le filtre à charbon actif, le filtre à graisse doit d'abord être détaché. Appuyez sur le système d'ouverture et tirez-le filtre vers le bas.



Branchez le filtre à charbon actif dans l'unité et tournez-le dans le sens des aiguilles d'une montre. Faites pareil de l'autre côté.



**REMARQUE :**

- o Assurez-vous que le filtre soit correctement bloqué. Dans le cas contraire, il pourrait tomber et endommager le bloc.
- o Quand le filtre à charbon actif est installé, la force d'aspiration est plus faible.

## Utilisation prévue

**Veillez lire attentivement ce manuel d'utilisation avant d'essayer d'utiliser ce filtre plasma pour la première fois. Ce manuel contient des informations importantes pour une installation, une utilisation et un entretien sûrs de ce filtre. Conservez ces instructions pour les consulter en cas de besoin et les transmettre à l'utilisateur suivant.**

Ce filtre plasma peut être utilisé en toute sécurité uniquement s'il est installé correctement, conformément aux consignes de sécurité. L'installateur doit s'assurer que l'appareil fonctionne correctement à son emplacement d'installation.

Ce filtre plasma est uniquement destiné à un usage et à un environnement domestiques. N'utilisez pas le filtre plasma pour d'autres utilisations que son usage spécifique. Ne laissez pas l'appareil sans surveillance pendant le fonctionnement.

Ce filtre plasma est destiné à éliminer les particules de poussière, le pollen, les micro-organismes (acariens, bactéries, virus et moisissures), la fumée de cigarette et les odeurs en suspension dans l'air.

Des odeurs restent présentes lorsque vous cuisinez, elles ne peuvent être complètement supprimées qu'après la fin de la cuisson. Les gaz nocifs (monoxyde de carbone, etc.) ne peuvent pas être éliminés.

Le filtre plasma produit de l'ozone ; la quantité dépend de la durée d'utilisation du filtre. Lorsque le filtre plasma est placé dans une pièce bien ventilée, la quantité émise se situe dans les limites prescrites par les normes de sécurité. Une légère odeur d'ionisation est présente pendant l'utilisation et n'indique pas un branchement ou un appareil défectueux

Cet appareil peut être utilisé par des enfants âgés de plus de 8 ans et par des personnes ayant une capacité physique, sensorielle ou mentale réduite ou par des personnes dénuées d'expérience ou de connaissances, s'ils sont supervisés par une personne responsable de leur sécurité ou s'ils ont reçu des instructions sur la façon d'utiliser l'appareil en toute sécurité et ont compris les risques liés à une utilisation incorrecte.

Les enfants ne doivent pas jouer avec l'appareil. Le nettoyage et l'entretien par l'utilisateur ne doivent pas être effectués par des enfants à moins qu'ils ne soient âgés de plus de 15 ans et qu'ils sont surveillés. Gardez les enfants de moins de 8 ans à une distance sûre de l'appareil et du câble d'alimentation.

Vérifiez que l'appareil n'est pas endommagé après le déballage. Ne branchez pas l'appareil s'il a été endommagé pendant le transport.



### Important

**Ce filtre plasma est destiné à être utilisé en combinaison avec une hotte aspirante équipée de filtres à graisse en métal**

**Le fabricant n'est pas responsable des dommages causés par une mauvaise utilisation ou un mauvais fonctionnement.**

## Instructions sur le fonctionnement



**Avertissement** : Utilisez le filtre plasma uniquement en combinaison avec une hotte aspirante équipée de filtres à graisse en métal. Le filtre plasma doit être installé dans un endroit avec une alimentation en oxygène adéquate et une ventilation adéquate et permanente. Reportez-vous au manuel d'utilisation de votre hotte aspirante.

### Utilisation du filtre plasma sur la hotte aspirante

Appuyez doucement sur les boutons de capteur sur le panneau de commande de la hotte pour faire fonctionner cet appareil.

Pour une meilleure extraction de l'air, il est conseillé d'allumer la hotte aspirante quelques minutes avant de commencer la cuisson et de la laisser allumée pendant environ 15 minutes après la cuisson, ou au moins jusqu'à ce que toute odeur de cuisson soit complètement éliminée.

Le filtre plasma utilise un capteur qui réagit au flux d'air provenant de la hotte aspirante. Lorsque la hotte aspirante est activée, l'air passe à travers un capteur pour activer automatiquement le filtre plasma. Un délai d'environ 20 à 30 secondes peut s'écouler avant l'activation du filtre plasma, en fonction du type de hotte aspirante.

Le témoin du filtre plasma s'allume et un signal audio retentit pour indiquer que le filtre plasma est activé.

## Nettoyage du filtre plasma

- Peu d'entretien est nécessaire car le filtre plasma est nettoyé automatiquement dès qu'il est mis en service. Les électrodes présentent une durée de vie très longue et sont presque indestructibles dans leur fonctionnement prévu.
- Le filtre à charbon actif se régénère à chaque processus, ses pores restent propres et sa durée de vie devrait être d'au moins 6 ans s'il est utilisé pendant 4 heures par jour maximum. Une utilisation supérieure à 4 heures par jour réduit la durée de vie du filtre à charbon actif.

**Remarque :** il est important de suivre les instructions d'entretien de votre hotte aspirante. Le filtre à graisse doit être nettoyé régulièrement et/ou remplacé à des intervalles appropriés pour éviter toute contamination.

## Entretien périodique du filtre plasma

Pour garantir le bon fonctionnement du filtre plasma, contactez votre centre de service après-vente local tous les 5 ans pour réaliser un contrôle périodique.

## Dépannage

Problème	Cause possible	Solution
Le filtre plasma ne fonctionne pas	Pas d'alimentation électrique Fusible défectueux Retour de puissance	Vérifiez que la fiche d'alimentation est correctement branchée et que l'interrupteur d'alimentation principal est allumé Vérifiez le boîtier de fusible du filtre plasma pour s'assurer que le fusible n'est pas grillé Vérifiez que d'autres appareils électriques fonctionnent
La lampe du témoin sur le filtre plasma ne s'allume pas	L'interrupteur du capteur d'air peut être défectueux Défaillance du circuit imprimé	Veillez contacter votre centre de service après-vente local

## DESCRIPTION DES COMPOSANTS

### CONFIGURATION 1

1

2

3

B

B<sup>+</sup>



## FONCTIONNEMENT

1

### **Bouton vitesse minimale**

Il est utilisé pour la ventilation dans la cuisine. Il convient pour mijoter et réaliser une cuisson qui ne fait pas beaucoup de vapeur.

2

### **Bouton vitesse intermédiaire**

La vitesse d'écoulement de l'air est idéale pour la ventilation dans un fonctionnement de cuisson standard.

3

### **Bouton vitesse maximale**

Lorsqu'une forte densité de fumée ou de vapeur est produite, appuyez sur le bouton grande vitesse pour une ventilation efficace élevée.

B

### **Boost 1 (vitesse 4)**

Appuyez sur la touche vitesse b 1, le rétro-éclairage de la touche vitesse B est activé et la hotte fonctionne en mode boost ;

B<sup>+</sup>

### **Boost 2 (vitesse 5)**

Appuyez sur la touche vitesse b 2, le rétro-éclairage de la touche vitesse B+ est activé et la hotte fonctionne en mode boost ;



### **Faible**

### **Enfoncez brièvement pour allumer et éteindre l'éclairage**

**Minuterie rapide** : Appuyez longuement sur le bouton lumineux et maintenez-la enfoncée pendant 3 secondes, les boutons de vitesse du ventilateur clignotent et comptent à rebours pendant 5 minutes, au bout de 5 minutes, le moteur et le voyant s'éteignent automatiquement avec trois sons de l'avertisseur sonore.



### **Connexion Wi-Fi**

Appuyez longuement sur l'icône Wi-Fi et passez en mode connexion : le rétro-éclairage de l'icône Wi-Fi continue de clignoter pour indiquer que la connexion est en cours, le rétro-éclairage de l'icône Wi-Fi est allumé pour indiquer qu'elle est connectée, même chose pour le mode veille; appuyez longuement sur l'icône Wi-Fi à nouveau et la connexion sera arrêtée ;

## CONFIGURATION 2

1

2

3

B



### MODE VEILLE

Après branchement, tout l'éclairage, système est en **MODE VEILLE**.

1

#### **Bouton vitesse minimale**

Il est utilisé pour la ventilation dans la cuisine. Il convient pour mijoter et réaliser une cuisson qui ne fait pas beaucoup de vapeur.

2

#### **Bouton vitesse intermédiaire**

La vitesse d'écoulement de l'air est idéale pour la ventilation dans un fonctionnement de cuisson standard.

3

#### **Bouton vitesse maximale**

Lorsqu'une forte densité de fumée ou de vapeur est produite, appuyez sur le bouton grande vitesse pour une ventilation efficace élevée.

B

#### **Fonction Booster**

Cette hotte a une fonction booster. Pour activer le booster, appuyez sur **B** jusqu'à la vitesse 4, réglez sur la vitesse la plus élevée lorsque la hotte est en cours d'utilisation et il augmentera la vitesse pendant 5 minutes, avant de ralentir à nouveau.



#### **Faible**

#### **Enfoncez brièvement pour allumer et éteindre l'éclairage**

**Minuterie rapide** : Appuyez longuement sur le bouton lumineux et maintenez-la enfoncée pendant 3 secondes, les boutons de vitesse du ventilateur clignotent et comptent à rebours pendant 5 minutes, au bout de 5 minutes, le moteur et le voyant s'éteignent automatiquement avec trois sons de l'avertisseur sonore.



#### **Connexion Wi-Fi**

Appuyez longuement sur l'icône Wi-Fi et passez en mode connexion : le rétro-éclairage de l'icône Wi-Fi continue de clignoter pour indiquer que la connexion est en cours, le rétro-éclairage de l'icône Wi-Fi est allumé pour indiquer qu'elle est connectée, même chose pour le mode veille; appuyez longuement sur l'icône Wi-Fi à nouveau et la connexion sera arrêtée ;



## Télécharger l'application hOn

Tout d'abord, vous devez télécharger l'Appli hOn et l'installer sur votre appareil portable. Ensuite, enregistrez votre hotte.



### REMARQUE

#### Get ready to add your appliance

- 1 Stay close to your appliance
- 2 While in front of your appliance, ensure that your smartphone is connected to a 2.4GHz Wi-Fi network with a stronger signal  
[CHANGE WI-FI SETTINGS](#)
- 3 Public networks are not allowed due to low security and reliability.
- 4 Prepare to enter your Home Wi-Fi password.

### ENREGISTREMENT HOTTE HAIER



*L'image de la hotte a pour seul but de la présenter. Il se peut qu'il ne soit pas parfaitement représentatif.*

1- Appuyez sur le bouton Wi-Fi jusqu'à ce que l'icône clignote. Lorsque l'appariement est terminé, l'icône Wi-Fi est activée.

## **ENTRETIEN**

Avant le nettoyage, éteignez l'appareil et débranchez-le.

### **I. Nettoyage Régulier**

Utilisez un chiffon doux humidifié avec de l'eau moyennement savonneuse ou un détergent ménager. N'utilisez jamais de tampon métallique, de produit chimique, de matériau abrasif ou de brosse rigide pour nettoyer l'appareil.

### **II. Nettoyage mensuel du filtre à graisse**

*Fondamental : Nettoyez le filtre tous les mois pour éviter tout risque d'incendie.*

Le filtre recueille la graisse, la fumée et la poussière... de sorte que le filtre affecte directement

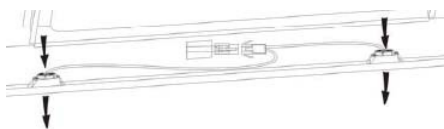
l'efficacité de la hotte. S'il n'est pas nettoyé, le résidu de graisse (potentiellement inflammable) saturera le filtre. Nettoyez-le avec un détergent ménager.

### **III. Nettoyage annuel du filtre à charbon actif**

S'applique UNIQUEMENT à l'unité installée en tant qu'unité de recirculation (non ventilée vers l'extérieur). Ce filtre piège les odeurs et doit être remplacé au moins une fois par an en fonction de la fréquence d'utilisation de la hotte.

### **IV. Changement d'ampoule**

Retirez les vis sur la vitre, retirez la vitre de la hotte. Identifiez l'ampoule qui doit être remplacée, vous la trouverez dans le luminaire qui se trouve à l'intérieur de la section exposée de l'auvent.



Débranchez le point de câblage de la lampe et retirez les porte-ampoules et le câblage de la hotte. Important : Il n'est pas possible de remplacer chacune des ampoules, il sera nécessaire d'obtenir les ampoules, les supports d'ampoules et le câblage en tant que pièce complète. (lumière LED : MAX. 1,5 W)

Installez les ampoules de rechange, les porte-ampoules et le câblage de la même manière que les ampoules d'origine. Raccordez ensuite de nouveau le point de câblage de la lumière.

Remettez la vitre de la hotte et fixez les vis en verre. Assurez-vous que les vis sont complètement serrées.

## DÉPANNAGE

<b>Problème</b>	<b>Cause</b>	<b>Solution</b>
Lumière allumée, mais le ventilateur ne fonctionne pas.	La pale du ventilateur est coincée.	Éteignez l'appareil et faites-le réparer uniquement par du personnel d'entretien qualifié.
	Le moteur est endommagé.	
La lumière et le ventilateur ne fonctionnent pas	Unene ampoule halogène a grillé.	Remplacez l'ampoule par un calibre correct.
	Le cordon d'alimentation est desserré.	Branchez à nouveau l'alimentation.
Vibration grave de l'appareil	La pale du ventilateur est endommagée.	Commutation de l'unité et réparation par du personnel d'entretien qualifié uniquement.
	Le moteur du ventilateur n'est pas fixé fermement.	Éteignez l'appareil et faites-le réparer uniquement par du personnel d'entretien qualifié.
	L'appareil n'est pas correctement accroché au support.	Faites descendre l'appareil et vérifiez si le support est correctement positionné.
Les performances d'aspiration ne sont pas bonnes	Distance trop grande entre l'appareil et le plan de cuisson	Réajustez la distance à 65-75 cm

Technologie	Wi-Fi
Standard	802.11 b/g/n
Bande(s) de fréquence [MHz]	2400 MHz-2483,5 MHz
Puissance maximale [mW]	100 mW

<b>Informations sur le produit pour les équipements en réseau</b>	
consommation d'énergie du produit en veille en réseau si tous les ports réseau câblés sont raccordés et ceux sans fil sont activés :	2 W
Comment activer le port de réseau sans fil :	Si la hotte a été enregistrée avec l'APPLICATION, activez cette hotte pour activer le port réseau sans fil.
Comment désactiver le port de réseau sans fil :	Si la hotte a été enregistrée avec l'APPLICATION, désactivez la hotte pour désactiver le port réseau sans fil. Si la hotte n'a pas été enregistrée avec l'APPLICATION, le port réseau sans fil sera désactivé même si la hotte est activée.

## SERVICE APRÈS-VENTE

Si vous ne pouvez pas identifier la cause de l'anomalie de fonctionnement, éteignez l'appareil et contactez le service d'assistance.

NUMÉRO DE SÉRIE DU PRODUIT. Où puis-je le trouver ?

Il est important de communiquer le code de référence de votre appareil et son numéro de série (un code à 16 chiffres qui commence par 3). Il est inscrit sur le certificat de garantie et sur la plaque d'identification de l'appareil.

Cela permettra d'éviter les trajets inutiles vers les techniciens, ce qui permettra (et surtout) d'économiser les frais d'appel correspondants.



Cet appareil comporte les symboles conformes à la directive européenne 2012/19/EU sur les déchets des équipements électriques et électroniques (DEEE).

Les DEEE contiennent à la fois des substances polluantes (qui peuvent avoir des conséquences négatives sur l'environnement) et les composants de base (qui peuvent être réutilisés). Il est important de soumettre les déchets DEEE à des traitements spécifiques, afin d'enlever et éliminer tous les polluants de manière adéquate et de récupérer et recycler tous les matériaux. Toute personne peut jouer un rôle important en veillant à ce que les déchets DEEE ne deviennent pas un problème environnemental ; pour cela, il est essentiel de suivre quelques règles de base :

Les DEEE ne doivent pas être traités comme des déchets ménagers ;

Les DEEE doivent être remis aux points de collecte appropriés gérés par la municipalité ou par des sociétés reconnues. Dans de nombreux pays, pour des DEEE encombrants, la collecte à domicile peut être organisée.

Dans de nombreux pays, lorsque vous achetez un nouvel appareil, l'ancien peut être retourné au détaillant qui est en devoir de le récupérer sans frais de manière individualisée, tant que l'équipement est de type équivalent et a les mêmes fonctions que l'équipement fourni.



# MANUAL DE USO E INSTALACIÓN

## **CONTENIDO**

INTRODUCCIÓN .....	68
PRECAUCIONES DE SEGURIDAD.....	68
INSTALACIÓN ELÉCTRICA.....	70
INSTALACIÓN (MONTAJE EN LA PARED) .....	72
INSTALACIÓN (SALIDA INTERIOR) .....	78
DESCRIPCIÓN DE LOS COMPONENTES .....	83
MANTENIMIENTO.....	86
RESOLUCIÓN DE PROBLEMAS.....	87
SERVICIO DE ASISTENCIA AL CLIENTE.....	88

## **INTRODUCCIÓN**

### **Gracias por elegir esta campana extractora.**

Este manual de instrucciones está diseñado para proporcionarle todas las instrucciones necesarias relacionadas con la instalación, el uso y el mantenimiento del electrodoméstico. Para que el electrodoméstico funcione correctamente y con seguridad, por favor lea este manual de instrucciones cuidadosamente antes de la instalación y el uso.

La campana extractora utiliza materiales de alta calidad, y está hecha con un diseño aerodinámico. Equipada con un motor eléctrico de gran potencia y un ventilador centrífugo, también proporciona una fuerte potencia de aspiración, un funcionamiento de bajo ruido, un filtro de grasa antiadherente y una instalación de fácil montaje.

Por la presente, Candy Hoover Group Srl declara que los equipos radioeléctricos cumplen con la Directiva 2014/53/UE y con los requisitos legales pertinentes (para el mercado UKCA). Se encuentra disponible el texto completo de la declaración de conformidad en la siguiente dirección de Internet: [www.candy-group.com](http://www.candy-group.com)

## **PRECAUCIONES DE SEGURIDAD**

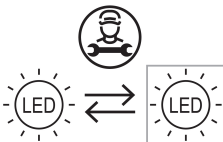
- No deje que los niños utilicen el electrodoméstico.
- La campana extractora es para uso doméstico exclusivamente y no puede utilizarse en barbacoas, asadores u otros establecimientos comerciales.
- La campana extractora y el filtro deben limpiarse de forma periódica para mantener el producto en buenas condiciones de uso.
- Limpie la campana extractora de acuerdo con el manual de instrucciones y mantenga el electrodoméstico fuera de peligro de quemaduras.
- La campana no debe utilizarse en un hornillo de gas. Durante su uso, asegúrese de que exista ventilación suficiente en la cocina.
- Antes de conectar este electrodoméstico, compruebe que el cable de alimentación no esté dañado. Un cable de suministro dañado debe ser reemplazado únicamente por personal de asistencia cualificado.
- Debe haber una ventilación adecuada de la habitación cuando se utilice la campana extractora al mismo tiempo que los aparatos de gas u otros;
- No conecte el aparato a una salida de aire en la que se hayan

conectado otros dispositivos que quemen gas u otros combustibles;

- Deben cumplirse las normas relativas a la salida de humos.
- Es necesario vigilar a los niños para asegurarse de que no jueguen con el electrodoméstico.
- No flamee debajo de la campana extractora.
- La campana extractora no está pensada para instalarse sobre una placa con más de cuatro zonas de cocción
- Deberá asegurarse una buena ventilación de la cocina cuando se utilice la campana de extractora al mismo tiempo que los aparatos que quemen gas u otros combustibles (no aplicable a los aparatos que solo descargan el aire de vuelta a la cocina);
- los detalles relativos al método y la frecuencia de la limpieza.
- Hay riesgo de incendio si la limpieza no se realiza de acuerdo con las instrucciones.
- no flamee debajo de la campana extractora;
- **PRECAUCIÓN:** las piezas accesibles pueden calentarse cuando se usan con aparatos de cocina.

### Riesgo de descarga eléctrica

- Conecte este electrodoméstico únicamente a una toma de corriente con conexión a tierra. En caso de duda, busque el consejo de un técnico debidamente cualificado.
- El incumplimiento de estas instrucciones puede provocar la muerte, un incendio o una descarga eléctrica.



La lámpara utilizada en este producto no es adecuada para su uso en la iluminación de una habitación. El propósito de esta lámpara es proporcionar iluminación para usar el producto.

## Instalación eléctrica

Toda la instalación debe ser realizada por un electricista cualificado u otro profesional competente. Antes de conectar la alimentación de la red, asegúrese de que la tensión de la red corresponda a la tensión que figura en la placa de datos.

### Conexión directa

El electrodoméstico se conecta directamente a la corriente, utilizando un disyuntor omnipolar con una distancia mínima de 3 mm entre los contactos. El instalador debe asegurarse de que la conexión a la red eléctrica se haya realizado correctamente y cumpliendo el esquema eléctrico.

El cable no debe doblarse ni aplastarse.


Revise regularmente el enchufe y el cable de alimentación para ver si están dañados. Si el cable de suministro está dañado, debe ser reemplazado por un cable o conjunto especial disponible en el fabricante o su agente del servicio de asistencia.

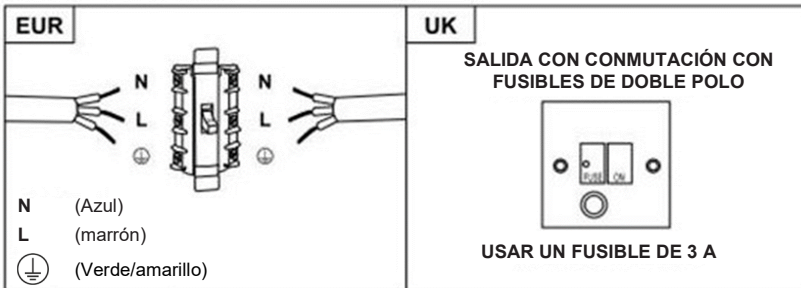
### ADVERTENCIA: Este es un aparato de Clase I y DEBE ser conectado a tierra

Este aparato se suministra con un cable de red de 3 hilos del siguiente color:

Marrón = L (Live) o CORRIENTE

Azul = N (Neutral) o NEUTRAL

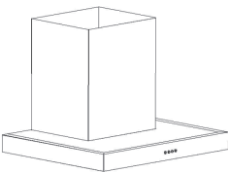

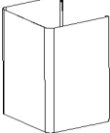

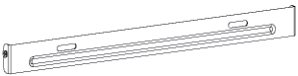
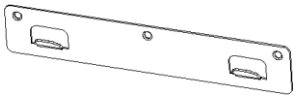





Verde y amarillo = E (Earth) o TIERRA 



**El fusible debe tener una capacidad de 3 A**

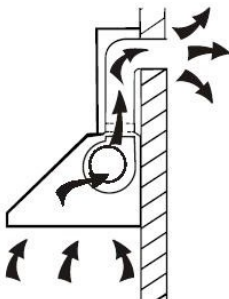


## Lista de accesorios de instalación estándar

Espec.	Fig. Ilustración	Cant.
Carcasa		1
Chimenea superior		1
Chimenea inferior		1
Soporte de la chimenea inferior		1
Soporte de la chimenea superior		1
Placa de soporte		1
taquetes Ø8 - Ø8xØ6 color blanco		9
Tornillos ST4,0x30		9
Tornillos Ø7,2 ST4,0x8		2
Salida de aire		1
Filtro de carbono		2

## **INSTALACIÓN (montaje en la pared)**

Si tiene una salida al exterior, la campana se puede conectar como se muestra a continuación mediante un conducto de extracción (esmalte, aluminio, tubo flexible no inflamable con un diámetro interior de 150 mm)



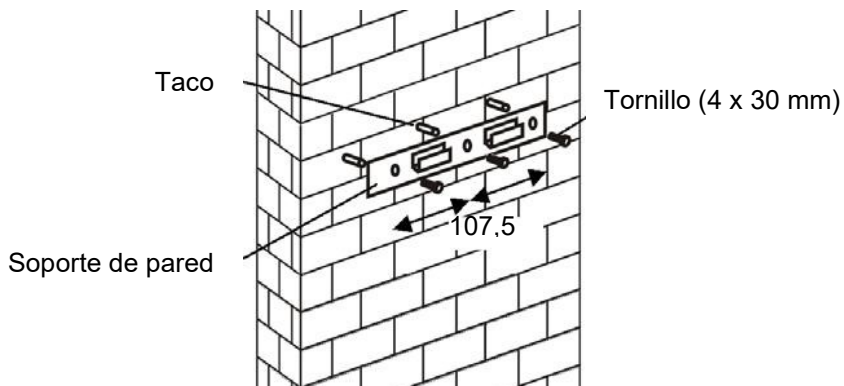
1. Antes de la instalación, apague el electrodoméstico y desenchúfelo de la toma de corriente.



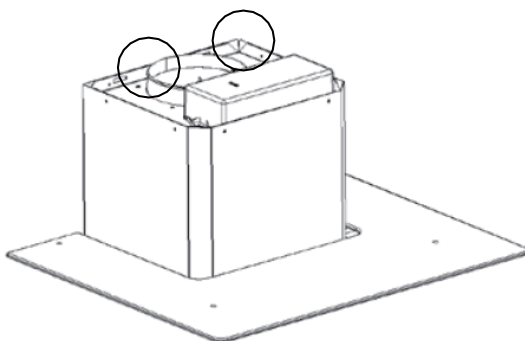
2. La campana extractora debe colocarse a una distancia de 65~ 75 cm de la superficie de cocción para obtener resultados óptimos.



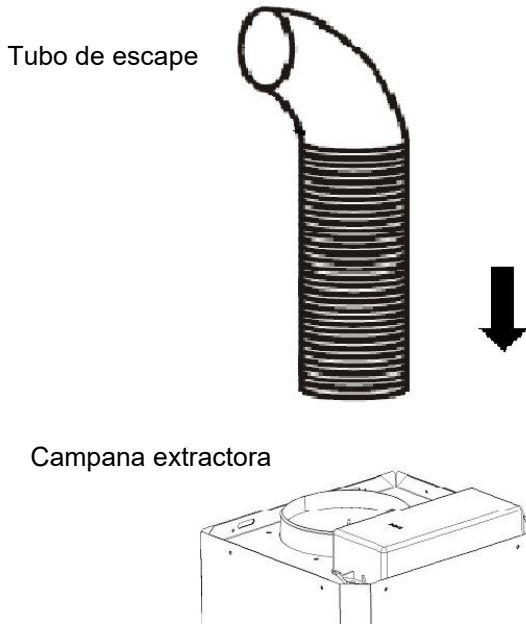
3. Perfore 3 agujeros de 8 mm para acomodar el soporte. Atornille y apriete el soporte en la pared con los tornillos suministrados.



4. Deje la campana extractora y cuélguela del enganche del soporte de la pared.

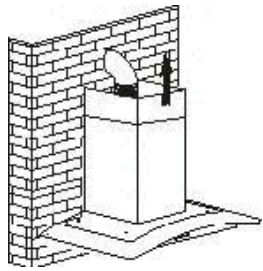


5. Fije la válvula unidireccional a la salida de aire de la campana extractora. Entonces, conecte el tubo de escape a la válvula unidireccional como se muestra a continuación.

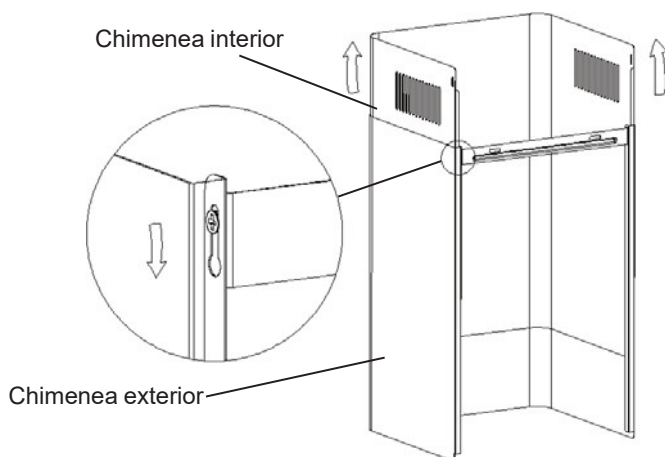


- 6.
- i. Ponga el vidrio en la posición apropiada en la parte superior de la campana extractora.
  - ii. Fije con 4 tornillos y arandela. Para evitar que el vidrio se agriete, no apriete los tornillos con demasiada fuerza.

- 7.
- i. Ponga la chimenea interior en la chimenea exterior; luego tire de la chimenea interior hacia arriba. Ajústela para alcanzar la altura necesaria.

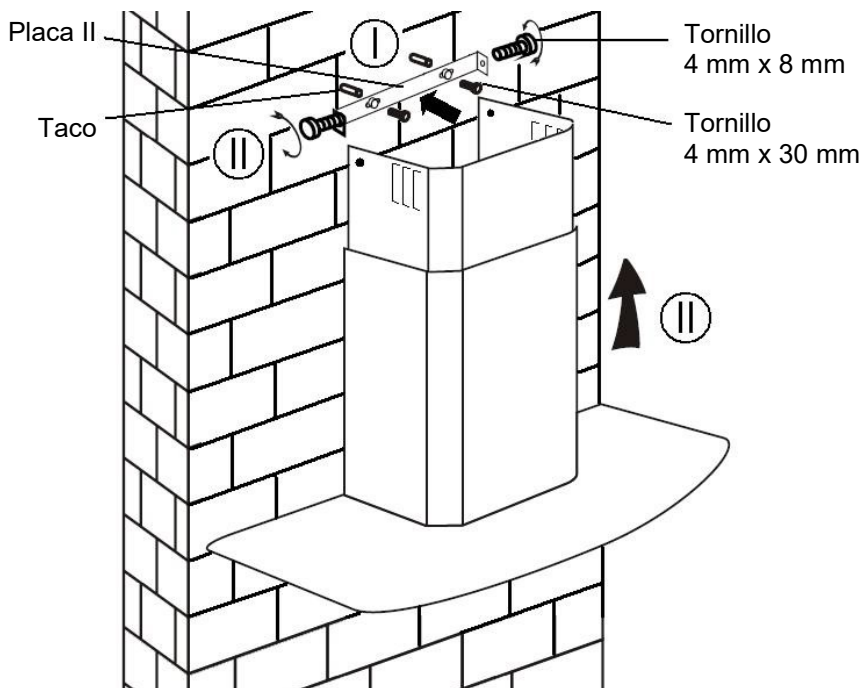


- ii. Deslice la chimenea para ajustar la altura de la chimenea. Cuando se alcance la altura requerida, entonces cuelgue el agujero de fijación a los tornillos de fijación como se muestra en las fig. de abajo.

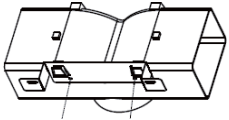
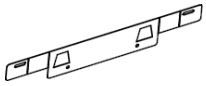





8.

- i. Perfore 2 agujeros de 8 mm para acomodar la placa II. Atornille y apriete la placa II en la pared con los 2 tornillos suministrados.  
ii. Monte la chimenea en la unidad y fijela con 2 tornillos.



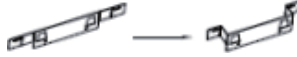
## Lista de accesorios de instalación estándar

Espec.	Fig. Ilustración	Cant.
Deflector de aire		1
Soporte		1
Ø8 taquetes Ø8× Ø6 color blanco		2
Tornillos ST4,0×30		2
Tornillos ST3,5×12		2

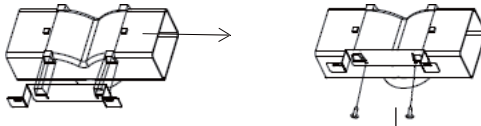
## **INSTALACIÓN (DEFLECTOR DE AIRE):**

El deflector de aire se menciona como incluido y no opcional.

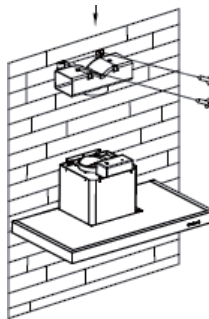
1. Antes de la instalación, curve ambos extremos del soporte como se muestra a continuación:



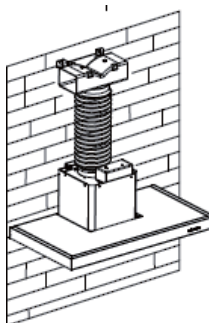
2. Fije el soporte a la salida de plástico en forma de T con los 2 tornillos ST3,5x12 mm proporcionados.



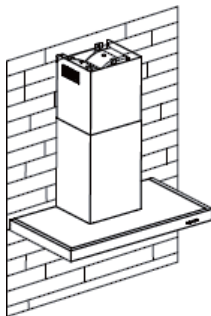
3. Practique 2 orificios para colocar los tacos, luego atornille y apriete el soporte en la pared con los 2 tornillos ST4x30 mm proporcionados.



4. Conecte el tubo de escape a la salida de aire de la campana de la cocina como se muestra a continuación:



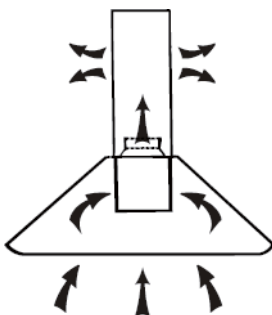
5. Instale la chimenea en la unidad y fíjela.



- Tenga en cuenta lo siguiente: La salida de plástico en forma de T y las lengüetas en V no se pueden utilizar al mismo tiempo. Puede utilizarlos de dos maneras: 1) Añada la lengüeta en V a la salida existente; 2) Utilice la salida de plástico en forma de T, sin añadir la lengüeta en V.
- Nota: El producto dispone de una lengüeta en V como opcional. Este accesorio no es obligatorio para la instalación, funcionamiento y uso del producto.

### **INSTALACIÓN (SALIDA INTERIOR)**

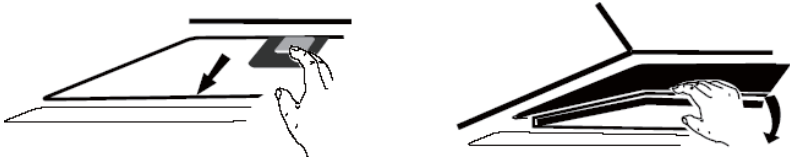
Si no tiene una salida al exterior, no se requiere un tubo de escape y la instalación es similar a la que se muestra en la sección "INSTALACIÓN (SALIDA EXTERIOR)".



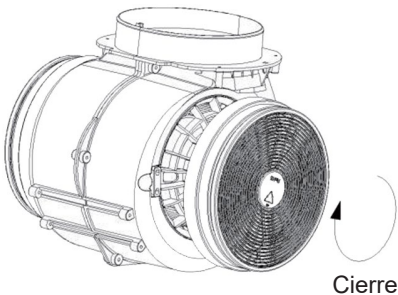
El filtro de carbón activo puede utilizarse para atrapar olores.



Para instalar el filtro de carbón activo, primero hay que quitar el filtro para grasa. Presione el cierre y tire de él hacia abajo.



Enchufe el filtro de carbón activo en el electrodoméstico y gírelo en el sentido de las agujas del reloj. Repita lo mismo en el otro lado.



**NOTA:**

- o *Asegúrese de que el filtro esté bien cerrado. De lo contrario, se aflojaría y supondría un peligro.*
- o *Cuando el filtro de carbón activado se monta, la potencia de aspiración se reduce.*

## Uso previsto

**Lea atentamente este manual de usuario antes de utilizar este filtro de plasma por primera vez. Este manual contiene información importante sobre la seguridad de la instalación, el uso y el cuidado de este filtro. Conserve estas instrucciones para futuras referencias y déselas al siguiente usuario.**

Este filtro de plasma solo se puede utilizar de forma segura si se instala correctamente de acuerdo con las instrucciones de seguridad. El instalador es responsable de que el aparato funcione correctamente en su ubicación de instalación.

Este filtro de plasma está destinado únicamente al uso y al entorno domésticos. No utilice el filtro de plasma para usos distintos de su finalidad específica. No deje el aparato sin vigilancia durante el funcionamiento.

Este filtro de plasma está destinado a eliminar partículas de polvo, polen, microorganismos (ácaros del polvo doméstico, bacterias, virus y moho), humo de cigarrillos y olores del aire. La presencia de olores aún estará presente cuando esté cocinando y solo se puede eliminar por completo después de haber terminado de cocinar. Los gases nocivos (monóxido de carbono, etc.) no pueden eliminarse.

El filtro de plasma produce ozono, la cantidad dependerá del tiempo que utilice el filtro. Cuando el filtro de plasma se coloca en una sala bien ventilada, la cantidad emitida se encuentra dentro de los límites de seguridad establecidos y estándar. Un ligero olor a ionización estará presente durante su uso y no indicará una conexión o dispositivo defectuosos.

Este electrodoméstico puede ser utilizado por niños mayores de 8 años de edad y por personas con capacidades físicas, sensoriales o mentales reducidas o por personas con falta de experiencia o conocimiento si son supervisadas por alguien que sea responsable de su seguridad o han sido instruidas en cómo utilizar el aparato de forma segura y han comprendido los riesgos que implica no usarlo correctamente.

Los niños no deben jugar con este electrodoméstico. La limpieza y el mantenimiento no deben ser realizados por niños a menos que tengan más de 15 años de edad y sean supervisados. Mantenga a los niños menores de 8 años a una distancia segura del aparato y el cable de alimentación.

Compruebe si el aparato presenta daños después de desembalarlo. No conecte el electrodoméstico si se ha dañado durante el transporte.



### Importante

**Este filtro de plasma está diseñado para su uso en combinación con una campana extractora con filtros de grasa de metal.**

**El fabricante no se hace responsable de los daños causados por un uso inadecuado o un funcionamiento incorrecto.**

## Instrucciones de funcionamiento



**Advertencia:** Utilice únicamente el filtro de plasma en combinación con una unidad de extracción con filtros de grasa de metal. Asegúrese siempre de que el filtro de plasma esté en un lugar con un buen suministro de oxígeno y una buena ventilación permanente. Consulte el manual de usuario de su campana extractora.

### Funcionamiento del filtro de plasma en la campana extractora

Toque suavemente los botones del sensor en el panel de control del extractor para accionar este aparato.

Para obtener una mejor extracción de aire, es aconsejable conectar la campana extractora unos minutos antes de empezar a cocinar y dejarla actuar durante aproximadamente 15 minutos después de la cocción o al menos hasta que todo el olor de la cocción haya desaparecido por completo.

El filtro de plasma utiliza un interruptor de sensor que reacciona al flujo de aire de la campana extractora. Cuando se enciende la campana, el aire pasa a través de un sensor para activar el filtro de plasma automáticamente. Dependiendo del tipo de campana extractora, puede tardar de 20 a 30 segundos aproximadamente en activar el filtro de plasma.

El indicador luminoso del filtro de plasma se encenderá y se emitirá una señal acústica para indicar que el filtro de plasma está encendido.

## Limpeza del filtro de plasma

- Se necesita poco mantenimiento, ya que el filtro de plasma se limpia automáticamente tan pronto como se pone en funcionamiento. Los electrodos presentan una vida útil muy larga y son casi indestructibles en el uso destinado.
- El filtro de carbón activado se regenera en cada proceso, mantiene sus poros limpios y se espera que dure no menos de 6 años si el filtro de carbón activado se utiliza durante no más de 4 horas al día. El uso de más de 4 horas al día reducirá la vida útil del filtro de carbón activado.

**Nota:** Es importante seguir las instrucciones de mantenimiento de su campana extractora. El filtro de grasa deberá limpiarse regularmente y/o sustituirlo a intervalos adecuados para evitar la contaminación.

## Mantenimiento periódico para el filtro de plasma

Para asegurarse de que su filtro de plasma mantenga unas condiciones de funcionamiento satisfactorias, póngase en contacto con su centro posventa local una vez cada 5 años para realizar una inspección periódica del filtro de plasma.

## Resolución de problemas

Problema	Causa posible	Solución
El filtro de plasma no funciona	No hay suministro eléctrico	Compruebe que el enchufe de alimentación esté conectado correctamente y que el interruptor principal esté encendido.
	Fusible defectuoso	Compruebe la caja de fusibles del filtro de plasma para asegurarse de que el fusible no esté fundido.
	Fallo en la alimentación	Compruebe si otros aparatos eléctricos están funcionando.
El indicador luminoso del filtro de plasma no se ha encendido	El interruptor del sensor de aire podría ser defectuoso	Póngase en contacto con su centro posventa local.
	Fallo de la placa PCB	

## DESCRIPCIÓN DE LOS COMPONENTES

### CONFIGURACIÓN 1

1

2

3

B

B<sup>+</sup>



## FUNCIONAMIENTO

1

### **Botón de baja velocidad**

Se usa para la ventilación de la cocina. Es adecuado para cocinar a fuego lento y para elaboraciones que no producen mucho vapor.

2

### **Botón de velocidad media**

La velocidad del flujo de aire es ideal para la ventilación de una cocina estándar.

3

### **Botón de alta velocidad**

Cuando se produzca una alta densidad de humo o vapor, pulse el botón de alta velocidad para una ventilación eficaz.

B

### **Boost 1(velocidad 4)**

Pulse el botón de velocidad b 1, la retroiluminación del botón de velocidad B está encendida y la campana de la cocina está funcionando en modo boost (alta potencia);

B<sup>+</sup>

### **Boost 2(velocidad 5)**

Pulse el botón de velocidad b 2, la retroiluminación del botón de velocidad B+ está encendida y la campana de la cocina está funcionando en modo boost;



### **Luz**

### **Pulse brevemente para encender y apagar la iluminación**

**Temporizador rápido:** Mantenga pulsado el botón de luz durante 3 segundos, los botones de velocidad del ventilador parpadearán y entrarán en una cuenta atrás de 5 minutos, después de la cual el motor y la luz se apagarán automáticamente con tres sonidos de zumbador.



### **Conexión wifi**

Pulse prolongadamente el icono wifi y entre en modo de conexión: si el icono wifi sigue parpadeando significa que la conexión está en curso, si está encendido significa que está conectada o en modo standby; pulse prolongadamente el icono wifi de nuevo y la conexión se detendrá;

## CONFIGURACIÓN 2

1

2

3

B



### Modo standby

Después de enchufar el aparato, la iluminación se pone en **MODO STANDBY**.

1

#### Botón de baja velocidad

Se usa para la ventilación de la cocina. Es adecuado para cocinar a fuego lento y para elaboraciones que no producen mucho vapor.

2

#### Botón de velocidad media

La velocidad del flujo de aire es ideal para la ventilación de una cocina estándar.

3

#### Botón de alta velocidad

Cuando se produzca una alta densidad de humo o vapor, pulse el botón de alta velocidad para una ventilación eficaz.

B

#### Función Booster (potencia extra)

Esta campana tiene una función de potencia extra. Para activar el booster, pulse **B** a la velocidad 4, entre en la velocidad más alta mientras la campana está en uso y aumentará la velocidad durante 5 minutos, antes de reducir la velocidad de nuevo.



#### Luz

#### Pulse brevemente para encender y apagar la iluminación

**Temporizador rápido:** Mantenga pulsado el botón de luz durante 3 segundos, los botones de velocidad del ventilador parpadearán y entrarán en una cuenta atrás de 5 minutos, después de la cual el motor y la luz se apagarán automáticamente con tres sonidos de zumbador.



#### Conexión wifi

Pulse prolongadamente el icono wifi y entre en modo de conexión: si el icono wifi sigue parpadeando significa que la conexión está en curso, si está encendido significa que está conectada o en modo standby; pulse prolongadamente el icono wifi de nuevo y la conexión se detendrá;

## Descarga de la aplicación hOn

En primer lugar, debería descargar la app hOn e instalarla en su dispositivo portátil. Entonces podrá registrar su campana.



### NOTA

**Get ready to add your appliance**

- 1 Stay close to your appliance
- 2 While in front of your appliance, ensure that your smartphone is connected to a 2.4GHz Wi-Fi network with a stronger signal  
[CHANGE WI-FI SETTINGS](#)
- 3 Public networks are not allowed due to low security and reliability.
- 4 Prepare to enter your Home Wi-Fi password.

### REGISTRO DE UNA CAMPANA HAIER



*La imagen de la campana es meramente indicativa. Podría no corresponder a la realidad.*

1- Pulse el botón wifi hasta que el icono comience a parpadear; cuando se haya finalizado el emparejamiento, el icono wifi se mostrará encendido.

## **MANTENIMIENTO**

Antes de la limpieza, apague el electrodoméstico y desenchúfelo.

### **I. Limpieza regular**

Utilice un paño suave humedecido con agua jabonosa tibia o detergente de uso doméstico. No utilice estropajos metálicos, productos químicos, material abrasivo o un cepillo rígido para limpiar el electrodoméstico.

### **II. Limpieza mensual del filtro para grasa**

*FUNDAMENTAL: Limpiar el filtro cada mes puede evitar riesgos de incendio.*

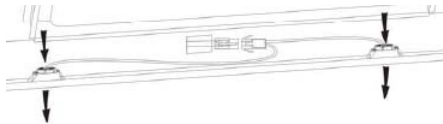
En el filtro se acumula grasa, humo, polvo, etc. por lo que la eficacia de la campana depende en gran parte del estado del filtro. Si no se limpia, los restos de grasa (potencialmente inflamables) se saturarán en el filtro. Límpielo con detergente de uso doméstico.

### **III. Limpieza anual del filtro de carbón activo**

SOLAMENTE se aplica a unidades instaladas como unidad de recirculación (sin ventilación al exterior). Este filtro atrapa olores y debe ser reemplazado al menos una vez al año dependiendo de la frecuencia con la que se utilice la campana de la cocina.

### **IV. Cambio de la bombilla**

Retire los tornillos del cristal, y el cristal de la campana. Encuentre la bombilla que desea sustituir, se encuentra en la lámpara que está dentro de la sección expuesta de la cubierta.



Desconecte el punto de cableado de la luz y retire los portalámparas y el cableado de la campana. Importante: No es posible reemplazar las bombillas individualmente, hay que considerar las bombillas, los portalámparas y el cableado como un conjunto. (Luz LED: máx. 1,5 W)

Coloque las bombillas de recambio, los portalámparas y el cableado de la misma manera que los originales. A continuación, reconecte el punto de cableado de la luz.

Vuelva a colocar el vidrio de la campana y apriete los tornillos del vidrio. Asegúrese de que los tornillos estén bien apretados.



## **RESOLUCIÓN DE PROBLEMAS**

<b>Fallo</b>	<b>Causa</b>	<b>Solución</b>
La lámpara se enciende, pero el ventilador no funciona.	La pala del ventilador está atascada.	Apague el electrodoméstico y deje que el personal de asistencia proceda a repararlo.
	El motor está dañado.	
Tanto la lámpara como el ventilador no funcionan.	La bombilla halógena se ha fundido.	Sustituya la bombilla con una con la clasificación correcta.
	El cable de alimentación se suelta.	Vuelva a conectarlo al suministro eléctrico.
El electrodoméstico vibra mucho.	La pala del ventilador está dañada.	Apague el electrodoméstico y deje que el personal de asistencia proceda a repararlo.
	El motor del ventilador no está bien fijado.	Apague el electrodoméstico y deje que el personal de asistencia proceda a repararlo.
	El electrodoméstico no está bien sujeto en el soporte.	Retire la unidad y compruebe si el soporte está en la ubicación correcta.
La aspiración no es suficientemente potente.	Demasiada distancia entre el electrodoméstico y la placa de cocción.	Reajuste la distancia a 65-75 cm

Tecnología	Wifi
Estándar	802.11 b/g/n
Banda/s de frecuencia [MHz]	2400 MHz - 2483,5 MHz
Potencia máxima [mW]	100 mW

<b>Información de producto para equipos en red</b>	
consumo de energía del producto en modo standby en red si está conectado al suministro eléctrico los puertos de red están conectados y todos los puertos de red inalámbrica están activados:	2W
Cómo activar el puerto de red inalámbrica:	Si la campana se ha registrado en la app, active la campana para activar el puerto de red inalámbrica.
Cómo desactivar el puerto de red inalámbrica:	Si la campana se ha registrado en la app, desactive la campana para desactivar el puerto de red inalámbrica. Si la campana no se ha registrado en la app, el puerto de red inalámbrica se desactivará aunque la campana esté activada.

## **SERVICIO DE ASISTENCIA AL CLIENTE**

Si no puede identificar la causa de la anomalía de funcionamiento, apague el aparato y póngase en contacto con el Servicio de Asistencia.

**NÚMERO DE SERIE DEL PRODUCTO.** ¿Dónde puedo encontrarlo?

Es importante que informe al Servicio de Asistencia del código de su producto y su número de serie (un código de 16 caracteres que comienza con el número 3); este se encuentra en el certificado de garantía o en la placa de datos situada en el electrodoméstico.

Ayudará a evitar viajes inútiles a los técnicos, ahorrando así (y lo que es más importante) los correspondientes cargos por llamadas.



Este electrodoméstico tiene la marca de conformidad con la Directiva europea 2012/19/UE sobre residuos de aparatos eléctricos y electrónicos (RAEE).

RAEE contiene tanto sustancias contaminantes (que pueden tener consecuencias negativas para el medio ambiente) y componentes básicos (que pueden reutilizarse). Es importante someter los RAEE a procedimientos específicos para eliminar y desechar de manera correcta todos los contaminantes, además de recuperar y reciclar todos los materiales.

Todos personalmente somos importantes cuando se trata de garantizar que los RAEE no se conviertan en un problema ambiental. Para esto, es fundamental respetar algunas reglas básicas:

Los RAEE no deben tratarse como residuos domésticos.

Los RAEE deben entregarse en los puntos de recogida pertinentes que gestionan los municipios o las empresas autorizadas. En algunos países existe un servicio de recogida de RAEE de gran tamaño.

En muchos países se puede entregar el electrodoméstico antiguo al comprar otro nuevo en el establecimiento, que deberá recogerlo de forma gratuita siempre que se trate de un aparato equivalente y que tenga las mismas funciones que el suministrado.

# EINBAU- UND BEDIENUNGSANLEITUNG

## **INHALT**

EINLEITUNG	90
SICHERHEITSVORKEHRUNG	90
ELEKTRISCHER ANSCHLUSS	92
SPEZIFIKATION	93
INSTALLATION (ABLUFT NACH DRAUSSEN)	94
INSTALLATION (ABLUFT NACH INNEN)	101
BESCHREIBUNG DER KOMPONENTEN	106
BETRIEB	106
WARTUNG	109
FEHLERSUCHE	110
VEREINBARKEIT MIT DEN RICHTLINIEN	111
UMWELTSCHUTZ	111

## **EINLEITUNG**

**Vielen Dank, dass Sie sich für diese Abzugshaube entschieden haben.**

Diese Bedienungsanleitung enthält notwendigen Anleitungen für die Installation, die Bedienung und die Wartung des Gerätes.

Lesen Sie diese Bedienungsanleitung vor der Installation und Benutzung bitte durch, damit das Gerät richtig und sicher bedient werden kann.

Diese Abzugshaube ist auch hochwertigen Werkstoffen und in einer schlanken Bauweise gefertigt. Ausgestattet mit einem großen, starken Elektromotor und einem Zentrifugalgebläse bietet sie starke Saugleistung, geräuscharmen Betrieb, einen austauschbaren Fettfilter sowie die einfache Montage.

Hiermit erklärt die Candy Hoover Group Srl, dass die Funkausstattung der Richtlinie 2014/53/EU und den einschlägigen gesetzlichen Anforderungen (für den UKCA-Markt) entspricht.

Der vollständige Text der Konformitätserklärung ist unter der folgenden Internet-Adresse verfügbar: [www.candy-group.com](http://www.candy-group.com)

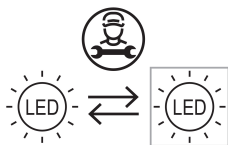
## **SICHERHEITSVORKEHRUNGEN**

- Kinder dürfen das Gerät niemals bedienen.
- Die Abzugshaube ist für den Hausgebrauch und nicht für Grill-Restaurants, Großküchen oder sonstigen gewerblichen Gebrauch geeignet.
- Die Abzugshaube und ihr Filter sollten regelmäßig gereinigt werden, damit sie in einem guten Zustand bleibt.
- Reinigen Sie die Abzugshaube gemäß den Angaben in dieser Bedienungsanleitung und vermeiden Sie Brandgefahr für das Gerät.
- Direktes Backen auf dem Gasherd ist untersagt.
- Für gute Be- und Entlüftung der Küche sorgen.
- Vergewissern Sie sich, dass das Stromkabel nicht beschädigt ist, bevor Sie das Gerät anschließen. Der Austausch eines defekten Stromkabels muss qualifiziertem Kundendienstpersonal vorbehalten sein.
- Für ausreichende Belüftung sorgen, wenn die Abzugshaube zusammen mit Geräten betrieben wird, die Gas oder Benzin verbrennen.
- Die Abluft sollte nicht in einen Rauchfang geleitet werden, der auch für die Abgase einer Gas- oder Ölheizung verwendet wird.
- Vorschriften zur Abluft müssen befolgt werden.

- Kinder sollten beaufsichtigt werden, um sicherzustellen, dass sie nicht mit dem Gerät spielen.
- Keine Gerichte unter der Abzugshaube flambieren.  
Die Dunstabzugshaube ist nicht für die Montage über einem Herd mit mehr als vier Kochfeldern ausgelegt.
- Für ausreichende Belüftung sorgen, wenn die Abzugshaube zusammen mit Geräten betrieben wird, die Gas oder Benzin verbrennen (gilt nicht für Geräte, die die abgesaugte Luft zurück in den Raum leiten).
- Eine detaillierte Anweisung zur Reinigung und deren Häufigkeit.
- Es besteht ein Brandrisiko, wenn die Reinigung nicht entsprechend dieser Anweisungen durchgeführt wird.
- Keine Gerichte unter der Abzugshaube flambieren;
- VORSICHT: Es kann sein, dass bestimmte Teile der Abzugshaube beim Kochen heiß werden.

### **Gefahr von Stromschlägen**

- ~ Dieses Gerät nur mit einer richtig geerdeten Steckdose verbinden. Wenden Sie sich im Zweifel an einen Fachelektriker.
- ~ Bei Zuwiderhandlung besteht Lebensgefahr, Brandgefahr oder Elektroschlaggefahr.



Die in diesem Produkt verwendete Lampe ist nicht für die Beleuchtung eines Raumes geeignet.

Der Zweck dieser Lampe ist die Beleuchtung für die Verwendung des Produkts.

## Elektrischer Anschluss

Sämtliche Anschlüsse müssen durch einen Fachmann oder qualifizierten Elektriker vorgenommen werden. Vergewissern Sie sich vor dem Anschluss an das Stromnetz, dass die Netzspannung mit der auf dem Typenschild angegebenen Spannung übereinstimmt.

### **Direkter Anschluss**

Das Gerät muss mit einem allpoligen Leistungsschalter mit einer Mindestöffnung von 3 mm zwischen den Kontakten direkt an das Stromnetz angeschlossen werden.

Der Installateur muss sicherstellen, dass der Stromanschluss korrekt hergestellt wurde und dem Verdrahtungsplan und den Sicherheitsvorschriften entspricht.

Das Netzkabel darf nicht geknickt oder gequetscht werden.

Überprüfen Sie den Netzstecker und das Netzkabel regelmäßig auf Beschädigungen. Wenn das Netzkabel beschädigt ist, muss es durch ein vom Hersteller oder von seinem Service-Mitarbeiter empfohlenes ausgetauscht werden.

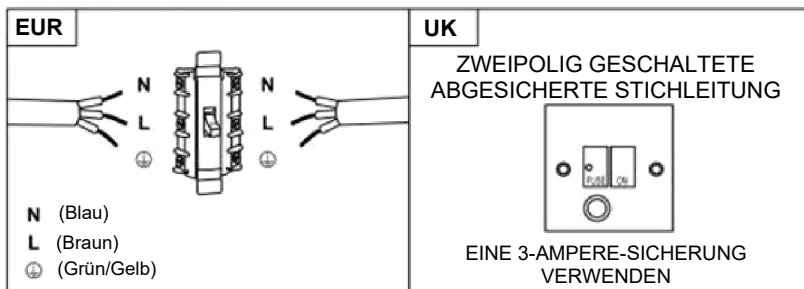
### **WARNUNG: Dies ist ein Gerät der Klasse I und MUSS geerdet werden.**

Dieses Gerät wird mit einem 3-adrigen Netzkabel geliefert, das wie folgt gefärbt ist:

Braun = L oder Spannungsführender Draht

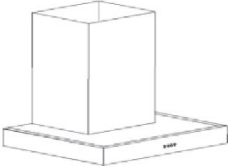
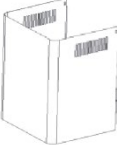
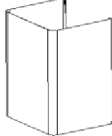


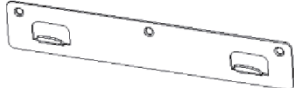





Blau = N oder Neutralleiter

Grün und Gelb = E oder Erdung (⊕)



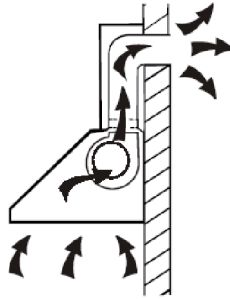
Die Sicherung muss für 3 Ampere ausgelegt sein.

## Standardmäßiges Montagezubehör

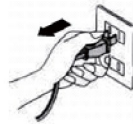
Spez.	Abbildung	Menge
Gehäuse		1
Oberer Abzug		1
Unterer Abzug		1
Untere Abzugshalterung		1
Obere Abzugshalterung		1
Aufhängeblech		1
$\varnothing 8$ Dübel $\varnothing 8 \times \varnothing 6$ Weiß		9
Schrauben ST4,0x30		9
$\varnothing 7,2$ Schrauben ST4,0x8		2
Luftauslass		1
Kohlefilter		2

## INSTALLATION (Wandmontage)

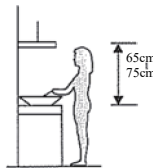
Wenn eine Maueröffnung nach draußen vorhanden ist, kann die Abzugshaube wie unten gezeigt über einen Abluftkanal (Emaile, Aluminium, flexibles Rohr aus unbrennbarem Material mit einem Innendurchmesser von 150 mm) an diese angeschlossen werden.



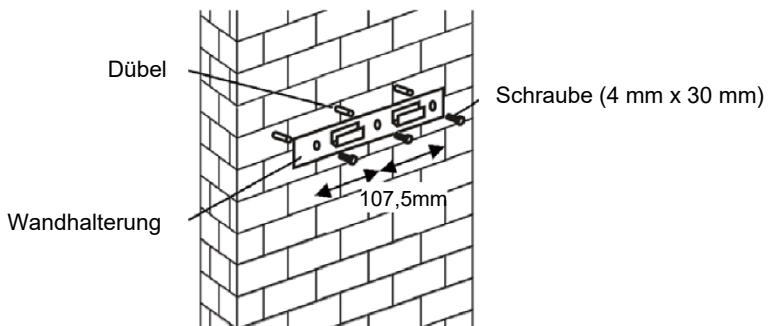
1. Schalten Sie vor der Installation das Gerät aus und ziehen Sie den Netzstecker.



2. Die Abzugshaube sollte für eine optimale Leistung 65-75 cm über der Kochfläche aufgehängt werden.

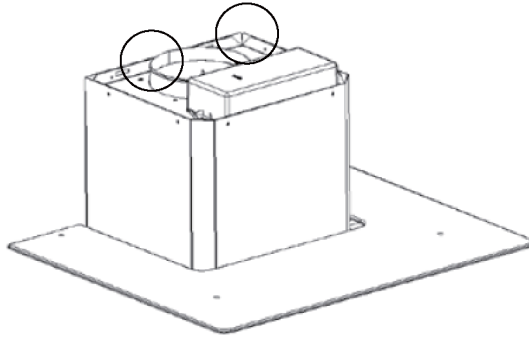


3. Bohren Sie die 3 x 8-mm-Löcher für die Aufnahme der Halterung. Verschrauben Sie die Halterung mit den beiliegenden Schrauben fest in der Wand.





4. Heben Sie die Abzugshaube an und hängen Sie sie in die Wandhalterung ein.

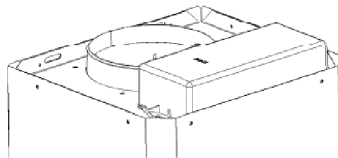


5. Befestigen Sie das Ein-Wege-Ventil am Luftauslass der Abzugshaube. Verbinden Sie dann das Abluftrohr, wie nachstehend angezeigt, mit dem Ein-Wege-Ventil.

Abluftrohr

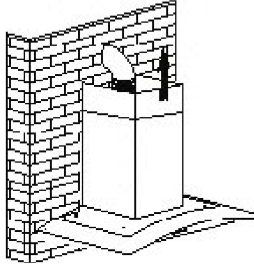


Abzugshaube

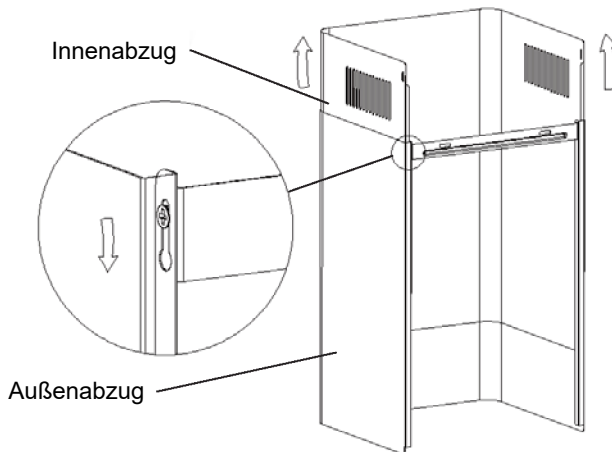


6.

- i. Setzen Sie die Glasscheibe in der entsprechen Position oben auf der Abzugshaube ein.
  - ii. Mit vier (4) Schrauben und Unterlegscheibe befestigen. Die Schrauben nicht zu fest anziehen, um Risse in der Glasscheibe zu vermeiden.
- 
- i. Stecken Sie den inneren in den äußeren Abzugskanal. Dann den inneren Abzug nach oben heraus ziehen. Entsprechend der gewünschten Höhe anpassen.

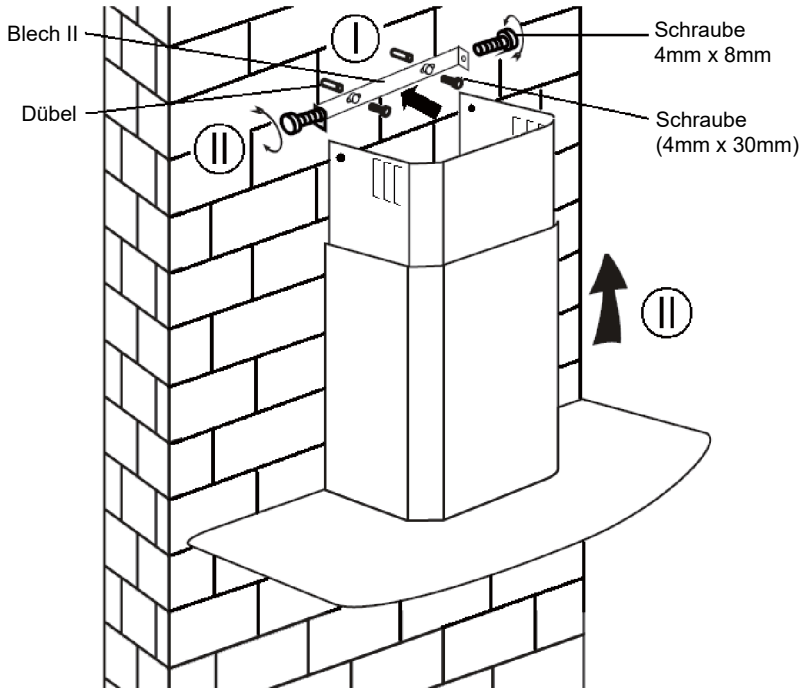


- ii. Den Abzug schieben, um die Abzugshöhe anzupassen. Sobald die erforderliche Höhe erreicht ist, hängen Sie die Befestigungsöffnung, wie in den nachstehenden Abbildung gezeigt, in die Befestigungsschraube ein.

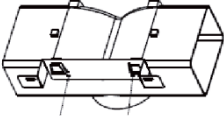
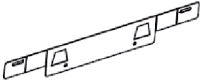





8.

- i. Bohren Sie 2 x 8-mm-Löcher für die Aufnahme von Blech II. Verschrauben Sie Blech II mit den beiden (2) beiliegenden Schrauben fest in der Wand.
- ii. Montieren Sie den Abzug an der Haube und befestigen Sie ihn mit zwei (2) Schrauben.



## Standardmäßiges Montagezubehör

Spez.	Abbildung	Menge
Windabweiser		1
Halterung		1
φ8 Dübel φ8×φ6 Weiß		2
Schrauben ST4,0x30		2
Schrauben ST3,5x12		2

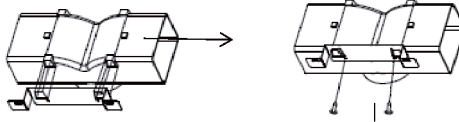
## **MONTAGE (WINDABWEISER):**

Der Windabweiser gilt als im Lieferumfang enthalten und nicht als optional.

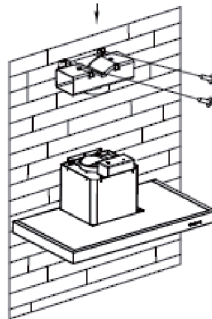
1. Biegen Sie vor der Montage beide Enden der Halterung wie unten dargestellt:



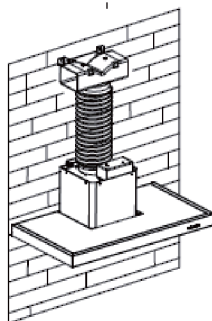
2. Befestigen Sie die Halterung mit 2 mitgelieferten Schrauben (ST3,5x12 mm) am T-förmigen Kunststoffabzug.



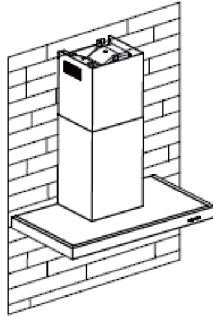
3. Bohren Sie 2 Löcher für die Dübel und schrauben Sie die Halterung mit 2 mitgelieferten Schrauben (ST4x30 mm) an der Wand fest.



4. Befestigen Sie das Abluftrohr wie unten gezeigt am Luftauslass der Dunstabzugshaube:



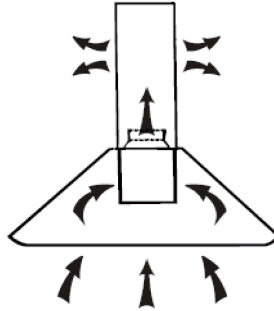
5. Montieren Sie den Abzug an der Haube und befestigen Sie ihn.



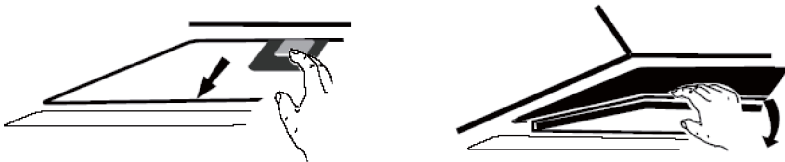
- „Bitte beachten Sie: Der T-förmige Kunststoffauslass und die V-Klappen können nicht gleichzeitig verwendet werden. Sie können sie auf zwei verschiedene Arten nutzen: 1) V-Klappe am vorhandenen Auslass anbringen; 2) T-förmigen Kunststoffauslass verwenden und keine V-Klappe anbringen.“
- „Hinweis: Das Produkt ist mit einem V-Klappen-Zubehör ausgestattet. Dieses Zubehör ist für die Installation, den Betrieb und die Verwendung des Produkts nicht zwingend erforderlich.“

## INSTALLATION (ABLUFT NACH INNEN)

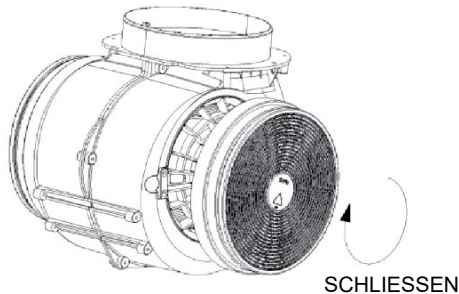
Wenn Sie keinen Abzug ins Freie haben, wird das Abluftrohr nicht benötigt. Die Montage ist der im Abschnitt „INSTALLATION (ABLUFT NACH DRAUSSEN)“ beschriebenen vergleichbar.



Aktivkohlefilter schließen unangenehme Gerüche ein. Bevor der Aktivkohlefilter installiert wird, muss zuerst der Fettfilter abgenommen werden. Die Sperre drücken und nach unten ziehen.



Den Aktivkohlefilter in das Gerät einstecken und im Uhrzeigersinn drehen. Den Vorgang auf der anderen Seite wiederholen.



### **HINWEIS:**

- Prüfen Sie, ob der Filter sicher verankert ist. Anderenfalls kann er herausfallen und gefährliche Unfälle verursachen.
- Bei Verwendung eines Aktivkohlefilters wird die Absaugkraft herabgesetzt.

## Bestimmungsgemäße Verwendung

**Lesen Sie diese Bedienungsanleitung sorgfältig durch, bevor Sie diesen Plasmafilter zum ersten Mal verwenden. Dieses Handbuch enthält wichtige Informationen zur sicheren Installation, Verwendung und Pflege dieses Filters. Bewahren Sie diese Anleitung zum späteren Nachschlagen auf und geben Sie sie an den nächsten Benutzer weiter.**

Dieser Plasmafilter kann nur dann sicher verwendet werden, wenn er gemäß den Sicherheitshinweisen korrekt installiert wird. Der Installateur ist dafür verantwortlich, dass das Gerät an seinem Aufstellungsort ordnungsgemäß funktioniert.

Dieser Plasmafilter ist nur für den Hausgebrauch und die häusliche Umgebung bestimmt. Verwenden Sie den Plasmafilter nicht für andere Zwecke als für den vorgesehenen. Lassen Sie das Gerät während des Betriebs nicht unbeaufsichtigt.

Dieser Plasmafilter ist dazu bestimmt, Staubpartikel, Pollen, Mikroorganismen (Hausstaubmilben, Bakterien, Viren und Schimmelpilze), Zigarettenrauch und Gerüche aus der Luft zu entfernen.

Der Geruch bleibt während des Kochens erhalten und kann erst nach Beendigung des Kochvorgangs vollständig entfernt werden. Schädliche Gase (Kohlenmonoxid usw.) können nicht herausgefiltert werden.

Der Plasmafilter produziert Ozon, die Menge hängt von der Nutzungsdauer des Filters ab. Wenn der Plasmafilter in einem gut belüfteten Raum eingesetzt wird, liegt die freigesetzte Menge innerhalb der festgelegten Sicherheitsgrenzen und der Norm. Ein leichter Ionisationsgeruch ist während der Benutzung vorhanden und deutet nicht auf einen fehlerhaften Anschluss oder ein fehlerhaftes Gerät hin.

Dieses Gerät kann von Kindern ab 8 Jahren und von Personen mit eingeschränkten physischen, sensorischen oder geistigen Fähigkeiten oder von Personen mit mangelnder Erfahrung oder mangelndem Wissen benutzt werden, wenn sie von einer Person beaufsichtigt werden, die für ihre Sicherheit verantwortlich ist, oder wenn sie in die sichere Benutzung des Geräts eingewiesen wurden und die Gefahren verstanden haben, die bei unsachgemäßer Benutzung des Geräts bestehen.

Kinder dürfen nicht mit dem Gerät spielen. Die Reinigung und die Wartung dürfen nicht von Kindern durchgeführt werden, es sei denn, sie sind über 15 Jahre alt und werden beaufsichtigt. Halten Sie Kinder unter 8 Jahren in sicherer Entfernung vom Gerät und vom Netzkabel.

Überprüfen Sie das Gerät nach dem Auspacken auf Schäden. Schließen Sie das Gerät nicht an, wenn es beim Transport beschädigt worden ist.



### Wichtig

**Dieser Plasmafilter ist für die Verwendung in Kombination mit einer Dunstabzugshaube mit Metallfetfiltern vorgesehen.**



**Der Hersteller haftet nicht für Schäden, die durch einen unsachgemäßen Gebrauch oder eine falsche Bedienung entstanden sind.**

## Bedienungsanleitung



**Warnung:** Verwenden Sie den Plasmafilter nur in Kombination mit einer Dunstabzugshaube mit Metallfettfiltern. Achten Sie immer darauf, dass der Plasmafilter an einem Ort mit guter Sauerstoffversorgung und guter Dauerbelüftung arbeitet. Lesen Sie die Gebrauchsanweisung Ihrer Dunstabzugshaube durch.

### **Betrieb des Plasmafilters in der Dunstabzugshaube**

Berühren Sie die Sensortasten auf dem Bedienfeld der Dunstabzugshaube leicht, um das Gerät zu bedienen.

Um eine bessere Luftabsaugung zu erreichen, ist es ratsam, die Dunstabzugshaube einige Minuten vor Beginn des Kochens einzuschalten und sie nach dem Kochen etwa 15 Minuten lang eingeschaltet zu lassen oder zumindest so lange, bis alle Kochgerüche entfernt sind.

Der Plasmafilter verfügt über einen Sensorschalter, der auf den Luftstrom der Dunstabzugshaube reagiert. Wenn die Dunstabzugshaube eingeschaltet wird, strömt die Luft durch einen Sensor, der den Plasmafilter automatisch aktiviert. Je nach Art der Dunstabzugshaube kann es etwa 20 bis 30 Sekunden dauern, bis der Plasmafilter aktiviert ist.

Die Anzeigelampe am Plasmafilter leuchtet auf und ein Tonsignal zeigt an, dass der Plasmafilter nun eingeschaltet ist.

## Reinigung des Plasmafilters

- Der Wartungsaufwand ist gering, da der Plasmafilter bei der Inbetriebnahme automatisch gereinigt wird. Die Elektroden weisen eine sehr lange Lebensdauer auf und sind im bestimmungsgemäßen Betrieb nahezu unzerstörbar.
- Der Aktivkohlefilter wird bei jedem Vorgang regeneriert, hält seine Poren sauber und hat eine Lebensdauer von mindestens 6 Jahren, wenn er nicht länger als vier Stunden pro Tag verwendet wird. Bei einer Nutzung von mehr als vier Stunden pro Tag verkürzt sich die Lebensdauer des Aktivkohlefilters.

**Hinweis:** Es ist wichtig, dass die Wartungsanweisungen Ihrer Dunstabzugshaube befolgt werden. Der Fettfilter muss regelmäßig gereinigt, beziehungsweise in angemessenen Abständen ausgetauscht werden, um Verunreinigungen zu vermeiden.

## Regelmäßige Wartung für Plasmafilter

Um sicherzustellen, dass Ihr Plasmafilter in einwandfreiem Zustand arbeitet, wenden Sie sich bitte alle fünf Jahre an Ihr örtliches Kundendienstzentrum für eine regelmäßige Inspektion des Plasmafilters.

## Fehlersuche

Problem	Mögliche Ursache	Lösung
Der Plasmafilter funktioniert nicht.	Kein Stromanschluss	Überprüfen Sie, ob der Netzstecker richtig eingesteckt ist und ob der Hauptschalter eingeschaltet ist. Überprüfen Sie den Sicherungskasten des Plasmafilters, um sicherzustellen, dass keine Sicherung nicht durchgebrannt ist. Überprüfen Sie, ob andere elektrische Geräte funktionieren.
	Defekte Sicherung.	
	Stromausfall	
Die Anzeigelampe am Plasmafilter leuchtet nicht.	Der Luftsensorschalter ist möglicherweise defekt. Ausfall der PCB-Leiterplatte	Bitte kontaktieren Sie den lokalen Kundendienst.

# BESCHREIBUNG DER KOMPONENTEN

## KONFIGURATION 1

1

2

3

B

B<sup>+</sup>



### BETRIEB

1

#### **Taste „Niedrige Geschwindigkeit“**

Für die Belüftung der Küche. Geeignet für das Sieden und Garen mit geringer Dunstentwicklung.

2

#### **Taste „Mittlere Geschwindigkeit“**

Die ideale Luftstromgeschwindigkeit während normalem Kochen/Garen.

3

#### **Taste „Hohe Geschwindigkeit“**

Wenn viel Dampf oder dichter Dunst erzeugt wird, drücken Sie die Taste „Hohe Geschwindigkeit“ für die höchste Abluftleistung.

B

#### **Boost 1 (Geschwindigkeit 4)**

Drücken Sie die Geschwindigkeitstaste B 1, die Hintergrundbeleuchtung der Taste leuchtet auf, und die Dunstabzugshaube arbeitet im Boost-Modus.

B<sup>+</sup>

#### **Boost 2 (Geschwindigkeit 5)**

Drücken Sie die Geschwindigkeitstaste B 2, die Hintergrundbeleuchtung der Taste leuchtet auf, und die Dunstabzugshaube arbeitet im Boost-Modus.



#### **Beleuchtung**

**Kurzes Drücken, um Beleuchtung an- und auszuschalten**

**Schnell-Timer:** Drücken Sie die Lichttaste 3 Sekunden lang. Die Tasten für die Gebläsegeschwindigkeit blinken und zählen bis zu 5 Minuten herunter, nach 5 Minuten schalten sich der Motor und das Licht automatisch aus und es ertönt ein dreimaliger Signalton.



#### **Verbindung mit dem WLAN**

Drücken Sie lange das WLAN-Symbol und öffnen Sie in den Verbindungsmodus: Die Hintergrundbeleuchtung des WLAN-Symbols blinkt und zeigt an, dass die Verbindung hergestellt wird. Wenn die Hintergrundbeleuchtung des WLAN-Symbols leuchtet, wurde die Verbindung hergestellt. Dasselbe gilt für den Standby-Modus; drücken Sie erneut lange auf das WLAN-Symbol und die Verbindung wird beendet.

## KONFIGURATION 2

1

2

3

B



STANDBY-MODUS.

Nach der Verbindung mit der Stromquelle ist das Gerät **im STANDBY-MODUS**.

1

### **Taste „Niedrige Geschwindigkeit“**

Für die Belüftung der Küche. Geeignet für das Sieden und Garen mit geringer Dunstentwicklung.

2

### **Taste „Mittlere Geschwindigkeit“**

Die ideale Luftstromgeschwindigkeit während normalem Kochen/Garen.

3

### **Taste „Hohe Geschwindigkeit“**

Wenn viel Dampf oder dichter Dunst erzeugt wird, drücken Sie die Taste „Hohe Geschwindigkeit“ für die höchste Abluftleistung.

B

### **Booster-Funktion**

Diese Haube hat eine Booster-Funktion. Um den Booster zu aktivieren, drücken Sie B bis zur höchsten Geschwindigkeit 4. Während die Haube in Betrieb ist, wird die Geschwindigkeit 5 Minuten lang erhöht, bevor sie sich wieder verlangsamt wird.



### **Beleuchtung**

#### **Kurzes Drücken, um Beleuchtung an- und auszuschalten**

**Schnell-Timer:** Drücken Sie die Lichttaste 3 Sekunden lang. Die Tasten für die Gebläsegeschwindigkeit blinken und zählen bis zu 5 Minuten herunter, nach 5 Minuten schalten sich der Motor und das Licht automatisch aus und es ertönt ein dreimaliger Signalton.



### **Verbindung mit dem WLAN**

Drücken Sie lange das WLAN-Symbol und öffnen Sie in den Verbindungsmodus: Die Hintergrundbeleuchtung des WLAN-Symbols blinkt und zeigt an, dass die Verbindung hergestellt wird. Wenn die Hintergrundbeleuchtung des WLAN-Symbols leuchtet, wurde die Verbindung hergestellt. Dasselbe gilt für den Standby-Modus; drücken Sie erneut lange auf das WLAN-Symbol und die Verbindung wird beendet.

Laden Sie die hOn-App herunter



Laden Sie zunächst die hOn-APP herunter und installieren Sie sie auf Ihrem Handy oder Tablet. Dann melden Sie Ihre Dunstabzugshaube an.



## HINWEIS

Get ready to add your appliance

- 1 Stay close to your appliance
- 2 While in front of your appliance, ensure that your smartphone is connected to a 2.4GHz Wi-Fi network with a stronger signal  
[CHANGE WI-FI SETTINGS](#)
- 3 Public networks are not allowed due to low security and reliability.
- 4 Prepare to enter your Home Wi-Fi password.

## REGISTRIERUNG DER HAIER-DUNSTABZUGSHAUBE



Die Abbildung der Dunstabzugshaube dient nur zu Illustrationszwecken. Sie weicht möglicherweise vom gekauften Produkt ab.

- 1- Drücken Sie die WLAN-Taste, bis das Symbol zu blinken beginnt.  
Wenn die Kopplung abgeschlossen ist, leuchtet das WLAN-Symbol.

## **WARTUNG**

Vor der Reinigung muss das Gerät ausgeschaltet und der Stecker gezogen werden.

### **I. Regelmäßige Reinigung**

Verwenden Sie ein weiches Tuch, angefeuchtet mit handwarmem, milden Seifenwasser oder einem Haushaltsreiniger. Das Gerät niemals mit Metallpads, Chemikalien, Scheuermitteln oder einer harten Bürste reinigen.

### **II. Monatliche Reinigung des Fettfilters**

*WICHTIG: Um Brandgefahr zu vermeiden, sollte der Filter monatlich gereinigt werden.*

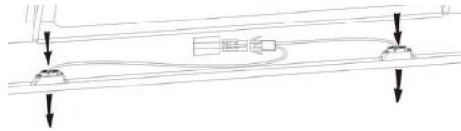
Im Filter sammeln sich Fett, Rauch und Staub... somit wirkt der Filter sich direkt auf die Leistung der Abzugshaube aus. Wenn er nicht gereinigt wird, verstopfen (möglicherweise entzündliche) Fettrückstände den Filter. Reinigen Sie ihn mit Haushaltsreiniger.

### **III. Jährliche Reinigung des Aktivkohlefilters**

AUSSCHLIESSLICH für Geräte, die als Umlufthauben montiert sind (keine Entlüftung ins Freie). Der Filter beseitigt Gerüche und muss, abhängig von der Häufigkeit der Verwendung des Herds, mindestens einmal jährlich ausgetauscht werden.

### **IV. Wechseln der Glühbirne**

Die Schrauben am Glas lösen und das Glas abnehmen. Ermitteln Sie die Glühbirne, die ausgetauscht werden muss. Sie befindet sich in dem Beleuchtungskörper im freigelegten Bereich des Abzugs.



Lösen Sie die Verkabelung und nehmen Sie die Leuchtenhalter und das Kabel aus der Haube. Wichtig: Die Glühbirnen können nicht einzeln ausgetauscht werden, das heißt, Glühbirnen, Halter und Verkabelung müssen als kompletter Satz ausgetauscht werden. (LED-Beleuchtung: MAX. 1,5 W).

Montieren Sie die Ersatzbirnen, Halter und Verkabelung entsprechend den Originalteilen. Schließen Sie die Verkabelung dann wieder an.

Die Glashaube wieder einsetzen und mit den Glasschrauben verschrauben.  
Die Schrauben müssen vollständig angezogen sein.

## **FEHLERSUCHE**

<b>Fehler</b>	<b>Ursache</b>	<b>Lösung</b>
Licht an, aber Gebläse läuft nicht.	Gebläseschaukel blockiert.	Das Gerät ausschalten; die Reparatur muss qualifiziertem Kundendienstpersonal vorbehalten sein.
	Der Motor ist beschädigt.	
Beide Lichter an, aber Gebläse läuft nicht.	Halogenbirne durchgebrannt.	Gegen eine Birne mit identischer Leistung austauschen.
	Stromkabel lose.	In die Steckdose einstecken.
Starke Vibrationen des Gerätes.	Gebläseschaukel beschädigt.	Das Gerät ausschalten; die Reparatur muss qualifiziertem Kundendienstpersonal vorbehalten sein.
	Gebläsemotor nicht richtig befestigt.	Das Gerät ausschalten; die Reparatur muss qualifiziertem Kundendienstpersonal vorbehalten sein.
	Die Haube ist nicht richtig in die Halterung eingehängt.	Die Haube abnehmen und die Position der Halterung überprüfen.
Schlechte Absaugleistung.	Distanz zwischen Gerät und Kochfeld zu groß.	Distanz neu anpassen: 65 bis 75 cm.

Technologie	WLAN
Standard	802.11 b/g/n
Frequenzbandbereich(e) [MHz]	2400 MHz - 2483,5 MHz
Maximale Leistung [mW]	100 mW

<b>Produktinformationen für vernetzte Geräte</b>	
Stromverbrauch des Produkts im vernetzten Standby-Modus, wenn alle verkabelten Netzwerkanschlüsse verbunden und alle drahtlosen Netzwerkanschlüsse aktiviert sind:	2W
So aktivieren Sie einen drahtlosen Netzwerkanschluss:	Wenn die Haube mit der APP angemeldet wurde, schalten Sie sie ein, um den drahtlosen Netzwerkanschluss zu aktivieren.
So deaktivieren Sie einen drahtlosen Netzwerkanschluss:	Wenn die Haube mit der APP angemeldet wurde, schalten Sie sie aus, um den drahtlosen Netzwerkanschluss zu deaktivieren. Wenn die Haube nicht mit der APP angemeldet wurde, wird der drahtlose Netzwerkanschluss deaktiviert, auch wenn die Haube eingeschaltet ist.



## **KUNDENDIENST**

Falls Sie die Ursache des Fehlers nicht ermitteln können, schalten Sie das Gerät bitte aus und wenden Sie sich an den Kundendienst.

**PRODUKT-SERIENNUMMER** Wo finde ich sie?

Es ist wichtig, dass Sie dem Kundendienst Ihren Produktcode und die Seriennummer nennen (ein 16-stelliger Code, der mit „3“ beginnt).

Diese Angaben können Sie der Garantiekarte oder dem Typenschild am Gerät entnehmen.

Auf diese Weise werden unnötiger Aufwand für die Techniker und (am Wichtigsten) unnötige Telefon-/Kommunikationskosten vermieden.

Dieses Elektrohaushaltsgerät ist entsprechend der EU-Richtlinie 2012/19/CE über Elektro- und Elektronik-Altgeräte (WEEE) gekennzeichnet.



Elektro- und Elektronik-Altgeräte enthalten umweltschädigende Substanzen, aber auch Grundkomponenten, die wiederverwendet werden können. Daher ist es wichtig, Elektro- und Elektronik-Altgeräte spezifisch zu entsorgen, um alle schädlichen Substanzen zu entfernen und wiederverwendbare Teile zu recyceln.

Verbraucher leisten einen wichtigen Beitrag zur Gewährleistung, dass Elektro- und Elektronik-Altgeräte nicht zu einem Umweltproblem werden. Halten Sie sich daher bitte an die folgenden Grundregeln:

Elektro- und Elektronik-Altgeräte dürfen nicht mit dem normalen Hausmüll entsorgt werden.

Elektro- und Elektronik-Altgeräte müssen bei zugelassenen Sammelstellen abgegeben werden, die von der Stadtverwaltung oder anderen zuständigen Stellen verwaltet werden. In vielen Ländern wird für die Entsorgung großer Elektro- und Elektronik-Altgeräte ein Abholservice angeboten.

Beim Kauf eines neuen Geräts wird das alte möglicherweise vom Händler zurückgenommen, der es kostenfrei entsorgt, sofern das neue Gerät von einem ähnlichen Typ ist und die gleiche Funktion erfüllt wie das Altgerät.

# HANDLEIDING VOOR INSTALLATIE EN GEBRUIK

## **INHOUD**

INLEIDING	113
VEILIGHEIDSMATREGELEN	113
ELEKTRISCHE INSTALLATIE	115
SPECIFICATIES	116
INSTALLATIE (AFVOER NAAR BUITEN)	117
INSTALLATIE (VENTILATIE BINNEN)	124
BESCHRIJVING VAN DE ONDERDELEN	128
BEDIENING	128
ONDERHOUD	131
PROBLEMEN OPLOSSEN	132
OVEREENSTEMMING MET RICHTLIJNEN	133
MILIEUBESCHERMING	133

## **INLEIDING**

### **Bedankt dat u voor deze afzuigkap hebt gekozen.**

Deze handleiding is opgesteld om u alle nodige instructies te verschaffen met betrekking tot het installeren, het gebruik en het onderhoud van het apparaat. Om het apparaat correct en veilig te laten werken, dient u deze handleiding voorafgaand aan de installatie en het gebruik zorgvuldig door te lezen.

De afzuigkap is van hoogwaardige materialen gemaakt en heeft een gestroomlijnd design. Het apparaat is uitgerust met een krachtige elektromotor en centrifugaalventilator. Dit garandeert een sterke zuigkracht, een geluidsarme werking, een vetfilter dat niet kleverig wordt en een gemakkelijke installatie.

Candy Hoover Group Srl verklaart hierbij dat de radioapparatuur voldoet aan Richtlijn 2014/53/EU en aan de desbetreffende wettelijke voorschriften (voor de UKCA ['UK Conformity Assessed']-markt).

De volledige tekst van de conformiteitsverklaring is beschikbaar op het volgende internetadres: [www.candy-group.com](http://www.candy-group.com)

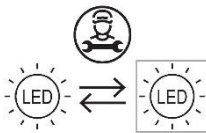
## **VEILIGHEIDSMATREGELEN**

- Laat nooit kinderen het apparaat bedienen.
- De afzuigkap is alleen bedoel voor thuisgebruik en is niet geschikt voor barbecue, noch voor horeca of winkels waar vlees of andere gerechten worden geroosterd, noch voor andere commerciële doeleinden.
- De afzuigkap en het bijhorende filter moeten regelmatig worden schoongemaakt om het apparaat in goede werkende conditie te houden.
- Maak de afzuigkap schoon volgens de instructies in de handleiding en voorkom dat er risico van brandgevaar ontstaat.
- Verbied direct bakken op het gasfornuis.
- Zorg altijd voor goede ventilatie in de keuken.
- Controleer of de voedingskabel niet is beschadigd alvorens dit apparaat aan te sluiten. Een beschadigde voedingskabel mag alleen worden vervangen door gekwalificeerd onderhoudspersoneel.
- Zorg voor voldoende ventilatie van de ruimte wanneer de afzuigkap gelijktijdig wordt gebruikt met toestellen die gas of andere brandstoffen verbranden;
- De lucht mag niet worden afgevoerd in een pijp die wordt gebruikt voor de rookgassen van toestellen die gas of andere brandstoffen verbranden;
- De voorschriften betreffende de afvoer van lucht dienen te worden gerespecteerd.

- Houd kinderen in de gaten, om te voorkomen dat zij met het apparaat spelen.
- Niet flamberen onder de afzuigkap.  
De afzuigkap is niet bedoeld voor installatie boven een fornuis met meer dan vier pitten
- Zorg voor voldoende ventilatie van de ruimte wanneer de afzuigkap gelijktijdig wordt gebruikt met apparaten die gas of andere brandstoffen verbranden (niet van toepassing op apparaten die de lucht alleen terug de ruimte invoeren);
- De details met betrekking tot manier en frequentie van reinigen.
- Er bestaat brandgevaar als de reiniging niet conform de instructies wordt uitgevoerd.
- Niet flamberen onder de afzuigkap.
- **VOORZICHTIG:** Bij gebruik van kooktoestellen kunnen toegankelijke delen heet worden.

### **Gevaar voor elektrische schok**

- Sluit dit toestel uitsluitend aan op een correct geaard stopcontact. Neem bij twijfel contact op met een gekwalificeerde elektromonteur voor advies.
- Niet opvolgen van deze instructies kan leiden tot de dood, brand of elektrische schok.



De in dit product gebruikte lamp is niet geschikt voor gebruik bij de verlichting van een kamer.

Deze lamp heeft als doel verlichting te bieden voor het gebruik van het product.

## Elektrische installatie

Alle installaties moeten door een vakbekwame persoon of gekwalificeerde elektriciens worden uitgevoerd. Controleer voordat u het apparaat op de elektrische voeding aansluit of de netspanning overeenkomt met de spanning op het typeplaatje.

### Directe aansluiting

Het apparaat moet direct op de netvoeding worden aangesloten met een omnipolaire scheidingschakelaar met een minimum opening van 3 mm tussen de contacten.

De installateur moet controleren of de elektrische aansluiting juist is uitgevoerd en overeenkomt met het bedradingsschema.

De kabel mag niet gebogen of samengedrukt zijn.


Controleer regelmatig of de stekker en het snoer niet zijn beschadigd. Als het netsnoer beschadigd is, moet het worden vervangen door een speciaal snoer of samenstel dat verkrijgbaar is bij de fabrikant of diens servicevertegenwoordiger.

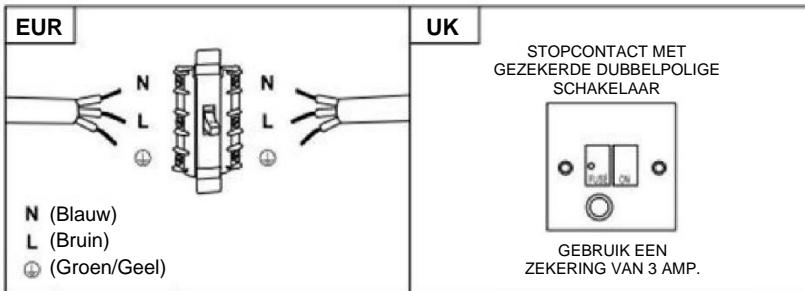
### WAARSCHUWING: Dit is een Klasse I-apparaat dat geaard MOET worden

Dit apparaat heeft een 3-aderige voedingskabel die als volgt is gekleurd:

Bruin = fasedraad, de aanvoerdraad van de stroom

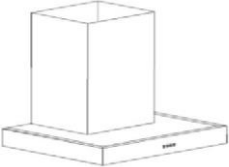
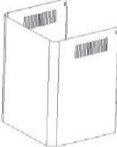
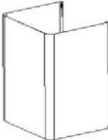


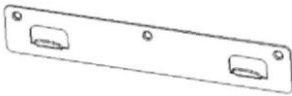



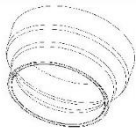

Blauw = nuldraad, de afvoerdraad van de stroom

Groen en geel = aardedraad 



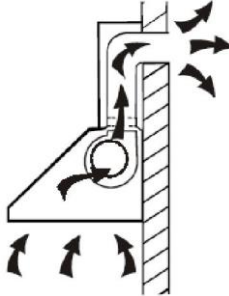
Er moet een zekering van 3 ampère worden gebruikt.

## Lijst van accessoires voor standaardinstallatie

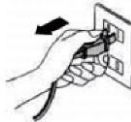
Benaming	Afbeelding	Aantal
Behuizing		1
Bovenste afvoerpijp		1
Onderste afvoerpijp		1
Beugel onderste afvoerpijp		1
Beugel bovenste afvoerpijp		1
Ophangplaat		1
Pluggen $\phi 8$ $\phi 8 \times \phi 6$ wit		9
Schroeven ST4.0x30		9
$\phi 7,2$ schroeven ST4.0x8		2
Luchtuitlaat		1
Koolstoffilter		2

## **INSTALLATIE (montage op de muur)**

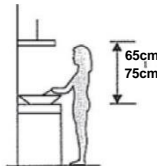
Als u een uitlaat naar buiten hebt, kunt u uw afzuigkap aansluiten zoals op onderstaande afbeelding met behulp van een afzuigkanaal (email, aluminium, onbrandbare flexibele buis met een binnendiameter van 150 mm)



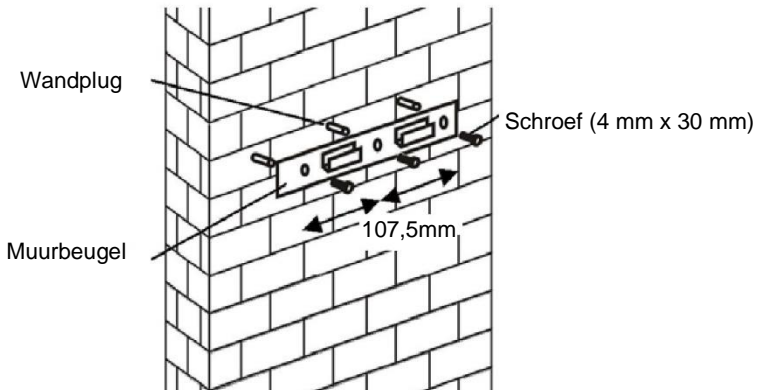
1. Zet voorafgaand aan de installatie het apparaat uit en neem de stekker uit het stopcontact.



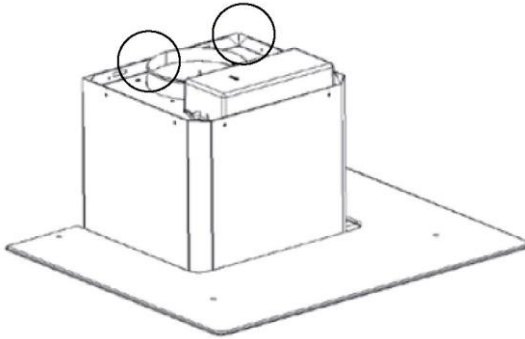
2. Voor het beste effect moet de afzuigkap op 65–75 cm afstand boven het kookvlak worden geplaatst.



3. Boor 3 gaten van 8 mm voor de beugel. Bevestig de beugel op de muur met de meegeleverde schroeven.

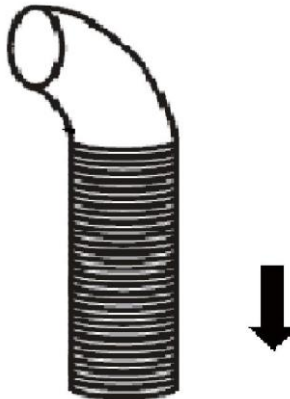


4. Til de afzuigkap op en hang hem aan de haak van de wandbeugel.



5. Bevestig de terugslagklep aan de luchtuitlaat van de afzuigkap. Bevestig vervolgens de uitlaatpijp op de terugslagklep zoals hieronder weergegeven.

Uitlaatpijp



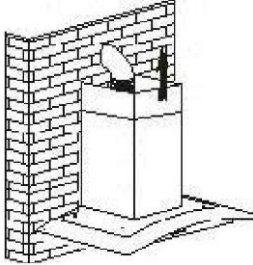
Afzuigkap



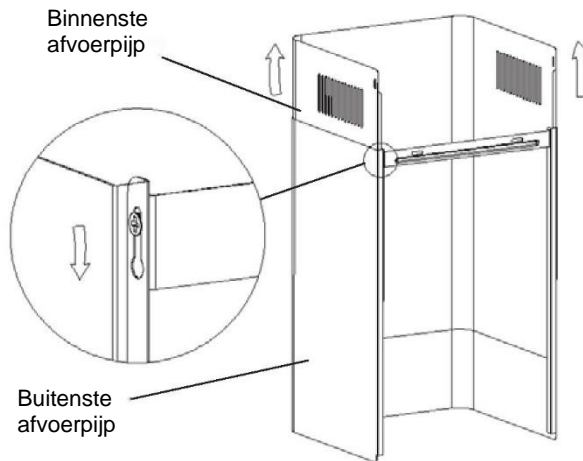


6.

- i. Breng het glas op de juiste plaats aan bovenop de afzuigkap.
- ii. Bevestig het met 4 schroeven met onderlegging. Draai de schroeven niet te vast aan om te voorkomen dat het glas breekt.
- i. Plaats de binnenste afvoerpijp in de buitenste afvoerpijp. Trek vervolgens de binnenste afvoerpijp omhoog. Stel het geheel in op de vereiste hoogte.

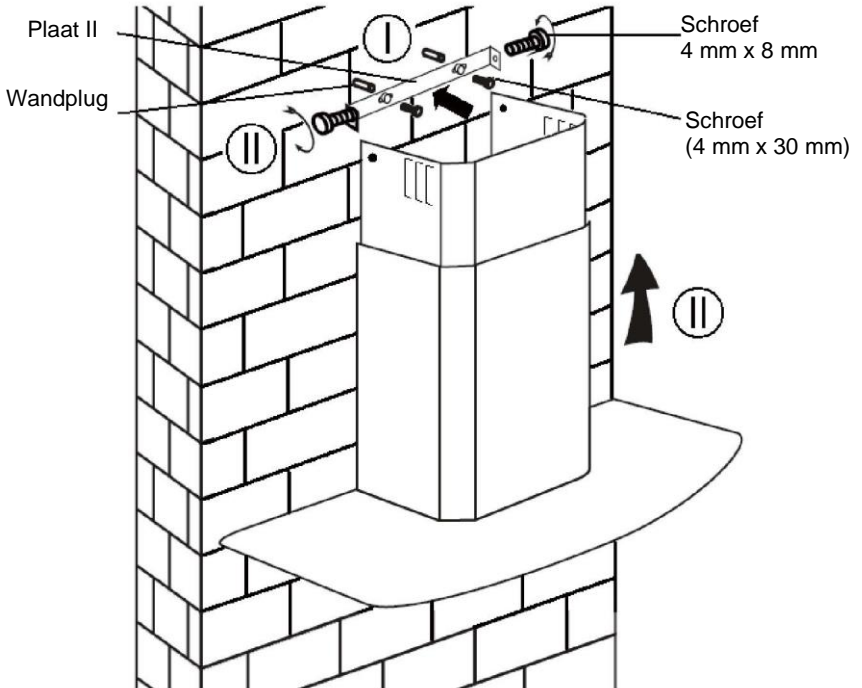


- ii. Verschuif de afvoerpijp om de hoogte van de afvoer aan te passen. Als de vereiste hoogte is bereikt, hang dan de bevestigingsopening aan de bevestigingsschroeven, zoals in de onderstaande afbeelding wordt weergegeven.

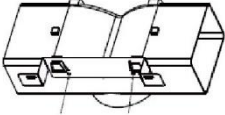
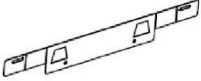
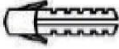




8.

- i. Boor 2 gaten van 8 mm voor plaat II. Bevestig plaat II op de muur met de 2 meegeleverde schroeven.
- ii. Plaats de afvoerpijp tegen de plaat en zet vast met 2 schroeven.



## Lijst van accessoires voor standaardinstallatie

Benaming	Afbeelding	Aantal
Luchtdeflector		1
Beugel		1
Pluggen $\varnothing 8$ $\varnothing 8 \times \varnothing 6$ wit		2
Schroeven ST4.0x30		2
Schroeven ST3.5x12		2

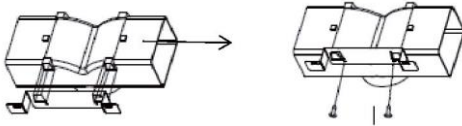
## **INSTALLATIE (LUCHTDEFLECTOR):**

De luchtdeflector wordt vermeld als bijgeleverd en niet optioneel.

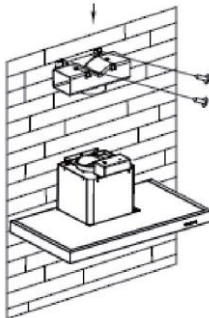
1. Buig voor de installatie de beide uiteinden van de beugel krom zoals hieronder te zien is:



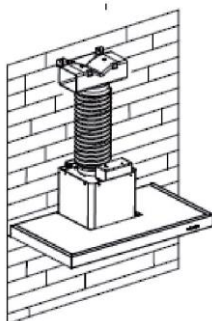
2. Bevestig de beugel aan de T-vormige kunststof uitlaat met 2 meegeleverde schroeven ST3.5x12 mm.



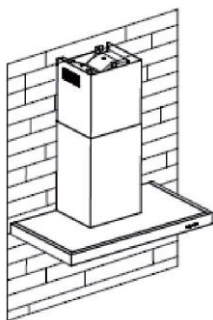
3. Boor 2 gaten voor de wandpluggen en schroef en bevestig vervolgens de beugel op de muur met 2 van de bijgeleverde schroeven ST4x30 mm.



4. Bevestig de uitlaatpijp aan de luchtuitlaat van de afzuigkap zoals hieronder te zien is:



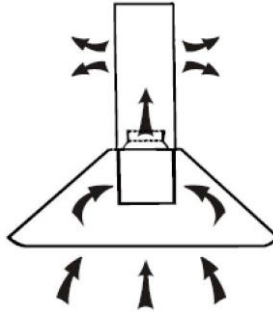
5. Installeer de afvoerpijp op de eenheid en bevestig.



- "Let op: De T-vormige kunststof uitlaat en v-kleppen kunnen niet tegelijkertijd worden gebruikt. U kunt ze op twee manieren gebruiken: 1) Plaats de v-klep op de bestaande uitlaat; 2) Gebruik de T-vormige kunststof uitlaat, voeg geen v-klep toe."
- "Let op: Het product wordt geleverd met v-klep accessoire. Dit accessoire is niet verplicht voor installatie, bediening en gebruik van het product."

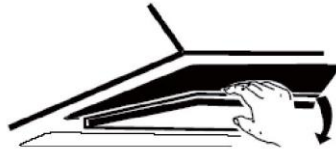
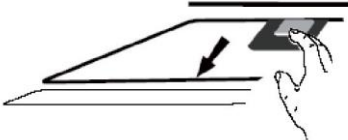
## **INSTALLATIE (VENTILATIE BINNEN)**

Als u geen afvoer naar buiten hebt, is de afzuigbuis niet nodig en is installatie vergelijkbaar met de installatie in het gedeelte 'INSTALLATIE (VENTILATIE BUITEN)'.

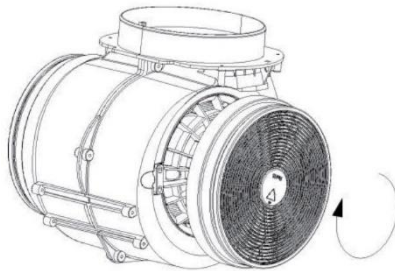


Actiefkoolfilters worden gebruikt voor het opvangen van geurtjes.

Om het actiefkoolfilter te installeren, moet eerst het vetfilter worden losgemaakt. Druk op de blokkering en trek het filter omlaag.



Bevestig het actiefkoolfilter in het apparaat en draai het rechtsom. Doe hetzelfde aan de andere kant.



SLUITEN

### **OPMERKING:**

- *Controleer of het filter stevig vastzit. Anders kan het losraken en gevaar veroorzaken.*
- *Wanneer een actiefkoolfilter is bevestigd, neemt het zuigvermogen af.*

## Beoogd gebruik

**Lees deze gebruikershandleiding goed door voordat u dit plasmafilter voor het eerst probeert te gebruiken. Deze handleiding bevat belangrijke informatie over veilige installatie, gebruik en verzorging van dit filter. Bewaar deze instructies voor toekomstig gebruik en geef ze door aan de volgende gebruiker.**

Dit plasmafilter kan alleen veilig worden gebruikt als het correct is geïnstalleerd volgens de veiligheidsinstructies. De installateur is verantwoordelijk voor de correcte werking van het apparaat op de geïnstalleerde locatie.

Dit plasmafilter is uitsluitend bedoeld voor huishoudelijk gebruik en in huishoudelijke omgevingen. Gebruik het plasmafilter niet voor andere toepassingen dan het specifieke doeleinde. Laat het apparaat niet onbewaakt achter tijdens het gebruik.

Dit plasmafilter is bedoeld om stofdeeltjes, pollen, micro-organismen (huisstofmijt, bacteriën, virussen en schimmels), sigarettenrook en geuren uit de lucht te verwijderen.

De aanwezigheid van geur zal er nog zijn tijdens het koken en kan pas volledig worden verwijderd nadat u klaar bent met koken. Schadelijke gassen (koolstofmonoxide, etc.) kunnen niet worden verwijderd.

Het plasmafilter produceert ozon, de hoeveelheid hangt af van de tijdsduur dat u het filter gebruikt. Wanneer het plasmafilter in een goed geventileerde ruimte wordt geplaatst, ligt de uitgestoten hoeveelheid binnen de vastgestelde veiligheidslimieten en de norm. Een lichte ionisatiegeur zal tijdens het gebruik aanwezig zijn en wijst niet op een defecte verbinding of dat het apparaat kapot is

Dit apparaat mag worden gebruikt door kinderen ouder dan 8 jaar en door personen met beperkte lichamelijke, zintuiglijke of geestelijke vermogens of door personen met een gebrek aan ervaring of kennis als zij onder toezicht staan van iemand die verantwoordelijk is voor hun veiligheid of instructies hebben gekregen over het veilige gebruik van het apparaat en de risico's hebben begrepen die betrokken zijn bij het niet naar behoren gebruiken.

Kinderen mogen niet met het apparaat spelen. Reiniging en onderhoud door de gebruiker mogen niet worden uitgevoerd door kinderen, tenzij ze ouder zijn dan 15 jaar en onder toezicht staan. Houd kinderen jonger dan 8 jaar op een veilige afstand van het apparaat en de stroomkabel.

Controleer het apparaat na het uitpakken op schade. Sluit het apparaat niet aan als het tijdens het transport beschadigd is geraakt.



### Belangrijk

**Dit plasmafilter is bedoeld voor gebruik in combinatie met een afzuigkap met metalen vetfilters**

**De fabrikant is niet aansprakelijk voor schade die wordt veroorzaakt door foutief gebruik of onjuiste bediening.**

## Bedieningsinstructies



**Waarschuwing:** Gebruik het plasmafilter alleen in combinatie met een afzuigapparaat met metalen vetfilters. Zorg er altijd voor dat het plasmafilter zich op een locatie bevindt met een goede zuurstoftoevoer en goede permanente ventilatie. Raadpleeg de gebruikershandleiding van uw afzuigkap.

### Het plasmafilter op de afzuigkap gebruiken

Raak de sensorknoppen op het bedieningspaneel van de afzuigkap voorzichtig aan om dit toestel te bedienen.

Om een betere luchtafzuiging te bereiken, is het raadzaam de afzuigkap enkele minuten vóór het koken in te schakelen en deze na het koken ongeveer 15 minuten aan te laten staan of ten minste tot alle kookgeuren volledig zijn verdwenen.

Het plasmafilter maakt gebruik van een sensorschakelaar die reageert op de luchtstroom uit de afzuigkap. Wanneer de afzuigkap AAN staat, gaat de lucht door een sensor om het plasmafilter automatisch te activeren. De activering van het plasmafilter kan ongeveer 20 tot 30 seconden duren, afhankelijk van het type afzuigkap.

Het indicatielampje op het plasmafilter gaat branden en er klinkt een audiosignaal om aan te geven dat het plasmafilter nu is ingeschakeld.



## Het plasmafilter schoonmaken

- Er is weinig onderhoud nodig, aangezien het plasmafilter automatisch wordt schoongemaakt zodra het in werking wordt gesteld. De elektroden hebben een zeer lange levensduur en zijn bijna onverwoestbaar als ze voor hun doel worden gebruikt.
- Het actiefkoolfilter wordt bij elk proces geregenereerd, houdt zijn poriën schoon en zal naar verwachting minstens 6 jaar meegaan als het actiefkoolfilter niet meer dan 4 uur per dag wordt gebruikt. Gebruik van meer dan 4 uur per dag zal de levensduur van het actiefkoolfilter verkorten.

**Opmerking:** Het is belangrijk om de onderhoudsinstructies van uw afzuigkap op te volgen. Het vetfilter moet regelmatig worden schoongemaakt en/of op gezette momenten worden vervangen om verontreiniging te voorkomen.

## Periodiek onderhoud van het plasmafilter

Zorg ervoor dat uw plasmafilter in goede werkende staat is en neem om de 5 jaar contact op met uw lokale aftersalescentrum voor het uitvoeren van een periodieke inspectie van het plasmafilter.

## Problemen oplossen

Probleem	Mogelijke oorzaak	Oplossing
Het plasmafilter werkt niet	Geen elektrische voeding Kapotte zekering Stroomstoring	Controleer of de stekker goed is aangesloten en de stroomschakelaar is ingeschakeld Controleer de zekeringendoos van het plasmafilter om er zeker van te zijn dat de zekering niet is doorgebrand Controleer of andere elektrische apparaten werken
Het indicatielampje op het plasmafilter ging niet branden	De luchtsensorschakelaar kan defect zijn Printplaatstoring	Neem contact op met uw plaatselijke aftersalescentrum

## BESCHRIJVING VAN DE ONDERDELEN

### CONFIGURATIE 1

1

2

3

B

B<sup>+</sup>



## BEDIENING

**1 Knop lage snelheid**  
Deze wordt gebruikt om de keuken te ventileren. Deze stand is geschikt voor sudderende gerechten en voor gerechten waarbij niet veel stoom vrijkomt.

**2 Knop middelhoge snelheid**  
Deze stromingssnelheid van de lucht is ideaal voor afzuiging bij standaardkookwerkzaamheden.


**3 Knop hoge snelheid**  
Wanneer zeer dichte rook of stoom wordt geproduceerd, drukt u op de knop voor hoge snelheid voor een zeer effectieve ventilatie.

**B Boost 1 (snelheid 4)**  
Druk op snelheid b toets 1, de achtergrondverlichting van de snelheid B is ingeschakeld en de afzuigkap werkt op boost-modus;

**B<sup>+</sup> Boost 2 (snelheid 5)**  
Druk op snelheid b toets 2, de achtergrondverlichting van snelheid B<sup>+</sup> is ingeschakeld en de afzuigkap werkt op boost-modus;

 **Verlichting**  
**Druk kort om het licht aan of uit te zetten**

**Quick-timer:** Houd de lichtknop gedurende 3 seconden ingedrukt. De knoppen van de ventilatorsnelheid zullen knipperen en 5 minuten aftellen. Na 5 minuten gaan de motor en het licht automatisch uit en klinken er drie zoemgeluiden.

 **Wifiverbinding**  
Houd het wifipictogram even ingedrukt en ga naar de verbindingmodus: de verlichting van het wifipictogram blijft knipperen om aan te geven dat verbinding wordt gemaakt. Als verbinding is gemaakt, gaat de verlichting van het wifipictogram helemaal aan, net als in de stand-bymodus. Houd het wifipictogram nogmaals even ingedrukt en de verbinding wordt stopgezet.

## CONFIGURATIE 2

1

2

3

B



### STAND-BYMODUS.

Nadat de spanning is aangesloten gaat alle verlichting en het systeem in **STAND-BYMODUS**.

- 1 Knop lage snelheid**  
Deze wordt gebruikt om de keuken te ventileren. Deze stand is geschikt voor sudderende gerechten en voor gerechten waarbij niet veel stoom vrijkomt.
- 2 Knop middelhoge snelheid**  
Deze stromingssnelheid van de lucht is ideaal voor afzuiging bij standaardkookwerkzaamheden.
- 3 Knop hoge snelheid**  
Wanneer zeer dichte rook of stoom wordt geproduceerd, drukt u op de knop voor hoge snelheid voor een zeer effectieve ventilatie.

**B Boosterfunctie**  
Deze kap heeft een boosterfunctie. Om de booster te activeren, drukt u op **B** tot snelheid 4. Ga naar de hoogste snelheid terwijl de kap in gebruik is en de snelheid wordt gedurende 5 minuten verhoogd, alvorens weer te vertragen.



**Verlichting**  
**Druk kort om het licht aan of uit te zetten**

**Quick-timer:** Houd de lichtknop gedurende 3 seconden ingedrukt. De knoppen van de ventilatorsnelheid zullen knipperen en 5 minuten aftellen. Na 5 minuten gaan de motor en het licht automatisch uit en klinken er drie zoemergeluiden.



**Wifiverbinding**  
Houd het wifipictogram even ingedrukt en ga naar de verbindingsmodus: de verlichting van het wifipictogram blijft knipperen om aan te geven dat verbinding wordt gemaakt. Als verbinding is gemaakt, gaat de verlichting van het wifipictogram helemaal aan, net als in de stand-bymodus. Houd het wifipictogram nogmaals even ingedrukt en de verbinding wordt stopgezet.

## De hOn-app downloaden



Allereerst moet u hOn-app downloaden en op uw draagbare toestel installeren. Registreer vervolgens uw afzuigkap.



### OPMERKING

#### Get ready to add your appliance

- 1 Stay close to your appliance
- 2 While in front of your appliance, ensure that your smartphone is connected to a 2.4GHz Wi-Fi network with a stronger signal  
[CHANGE WI-FI SETTINGS](#)
- 3 Public networks are not allowed due to low security and reliability.
- 4 Prepare to enter your Home Wi-Fi password.

### REGISTRATIE HAIER-AFZUIGKAP



*De afbeelding van de afzuigkap is uitsluitend ter illustratie. Het kan zijn dat het niet een perfecte weerspiegeling van uw apparaat is.*

- 1- Druk op de wifiknop totdat het pictogram begint te knipperen. Als het koppelen is voltooid blijft het wifi-pictogram branden.

## **ONDERHOUD**

Alvorens het apparaat te reinigen, zet u het uit en haalt u de stekker uit het stopcontact.

### **I. Normale reiniging**

Gebruik een zachte doek die in een handwarm mild sopje of een schoonmaakproduct voor het huishouden is bevochtigd. Gebruik nooit metalen voorwerpen, chemische, schurende materialen of harde borstels om het apparaat te reinigen.

### **II. Maandelijks reiniging van het vetfilter**

*ESSENTIEEL: Als u het filter elke maand schoonmaakt, kan dit brandgevaar voorkomen.*

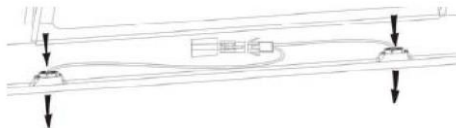
Het filter vangt vet, rook en stof op ..... dit betekent dat het filter rechtstreeks invloed heeft op de efficiëntie van de afzuigkap. Als het filter niet wordt schoongemaakt, kunnen de vetresten (die potentieel brandbaar zijn) het filter verzadigen. Reinig het filter met een huishoudelijk schoonmaakproduct.

### **III. Jaarlijkse reiniging van het actiefkoolfilter**

ALLEEN van toepassing als het product wordt geïnstalleerd als recirculatie-eenheid (zonder ventilatie naar buiten). Dit filter vangt geuren op en moet eenmaal per jaar worden vervangen, afhankelijk van de gebruiksfrequentie van de afzuigkap.

### **IV. Lamp vervangen**

Verwijder de schroeven uit het glas, neem de glazen kap weg. Lokaliseer het lampje dat moet worden vervangen. De lampjes bevinden zich in de armatuur aan de binnenkant van het nu open deel van de kap.



Maak de bedrading los en verwijder de lamphouders en de bedrading uit de kap. Belangrijk: Het is niet mogelijk de lampjes afzonderlijk te vervangen, maar de lampjes, lamphouders en bedrading moeten als geheel worden verwijderd. (ledlampje: MAX 1,5 W)

Plaats de nieuwe lampjes, lamphouders en bedrading op dezelfde wijze als de oorspronkelijke onderdelen. Sluit de bedrading weer aan.

Plaats de glazen kap terug en bevestig de glasschroeven. Zorg dat de schroeven helemaal worden aangedraaid.

## **PROBLEMEN OPLOSSEN**

<b>Fout</b>	<b>Oorzaak</b>	<b>Oplossing</b>
Verlichting brandt, maar de ventilator werkt niet	Het waaierblad van de ventilator zit vast.	Zet het apparaat uit en laat het uitsluitend door gekwalificeerd onderhoudspersoneel repareren.
	De motor is beschadigd.	
De verlichting en de ventilator werken allebei niet	Het halogeenlampje is defect.	Vervang het lampje door een ander met het juiste vermogen.
	Voedings snoer komt los.	Steek de stekker weer in het stopcontact.
Het apparaat trilt zeer sterk	Het waaierblad van de ventilator is beschadigd.	Schakel het apparaat uit en laat het uitsluitend door gekwalificeerd onderhoudspersoneel repareren.
	De motor van de ventilator zit niet goed vast.	Zet het apparaat uit en laat het uitsluitend door gekwalificeerd onderhoudspersoneel repareren.
	Het apparaat is niet correct op de beugel gehangen.	Neem het apparaat van de beugel en controleer of de beugel op de juiste plaats zit.
Afzuigwerking is niet goed	Te grote afstand tussen het apparaat en het kookvlak	Pas de afstand aan tot 65-75 cm

Technologie	Wifi
Standaard	802.11 b/g/n
Frequentieband(en) [MHz]	2400 MHz ~ 2483,5 MHz
Maximaal vermogen [mW]	100 mW

<b>Productinformatie voor netwerkapparatuur</b>	
stroomverbruik van het product in stand-by in een netwerk, als alle bedrade netwerkpoorten zijn aangesloten en alle draadloze netwerkpoorten geactiveerd zijn:	2W
Een draadloze netwerkpoort activeren:	Als de afzuigkap is geregistreerd in de app, schakel dan de afzuig in om de draadloze netwerkpoort te activeren.
Een draadloze netwerkpoort deactiveren:	Als de afzuigkap is geregistreerd in de app, schakel dan de afzuigkap uit om de draadloze netwerkpoort uit te schakelen. Als de afzuigkap nog niet is geregistreerd in de app, dan wordt de draadloze netwerkpoort, zelfs als de afzuigkap aan staat, gedeactiveerd.

## **SERVICEAFDELING/KLANTENSERVICE**

Als u de oorzaak van de afwijkende werking niet kunt vinden, het apparaat uitzetten en contact opnemen met de klantenservice.

**SERIENUMMER VAN HET PRODUCT.** Waar vind ik dat?

Het is belangrijk dat u aan de klantenservice de productcode en het serienummer (een uit 16 tekens bestaande code die begint met een 3) van uw product doorgeeft; dit nummer is te vinden op het garantiecertificaat of op het typeplaatje op het apparaat. Hiermee voorkomt u onnodige ritten van servicemonteurs en (belangrijker) voorkomt u de bijbehorende voorrijkosten.



Dit apparaat is gemarkeerd conform de Europese Richtlijn 2012/19/EU betreffende afgedankte elektrische en elektronische apparatuur (AEEA).

AEEA bevat zowel vervuilende stoffen (die negatieve gevolgen voor het milieu kunnen hebben) als basiscomponenten (die hergebruikt kunnen worden). Het is belangrijk om WEEE te onderwerpen aan specifieke behandelingen ten einde alle vervuilende stoffen juist te verwijderen en af te voeren en alle materialen te recupereren en te recycleren.

Individueen kunnen een belangrijke rol spelen om ervoor te zorgen dat WEEE geen milieuprobleem wordt. Het is van essentieel belang om enkele basisregels te volgen:

AEEA mag niet worden behandeld als huishoudelijk afval.

AEEA moet worden ingeleverd bij relevante inzamelpunten die worden beheerd door de gemeente of door geregistreerde bedrijven. In veel landen bestaat de mogelijkheid grote AEEA thuis te laten ophalen.

In veel landen kan, wanneer u een nieuw apparaat koopt, het oude worden teruggegeven aan de detailhandelaar die het gratis moet innemen met dien verstande dat de apparatuur van een gelijkwaardig type is en dezelfde functies had als de geleverde apparatuur.

# NÁVOD K INSTALACI A POUŽITÍ

## **OBSAH**

ÚVOD .....	135
BEZPEČNOSTNÍ OPATŘENÍ .....	135
ELEKTRICKÁ INSTALACE.....	137
INSTALACE (MONTÁŽ NA ZEĎ) .....	139
INSTALACE (ODVĚTRÁVÁNÍ DOVNITŘ) .....	145
POPIS SOUČÁSTÍ .....	150
ÚDRŽBA .....	152
ŘEŠENÍ PROBLÉMŮ .....	153
ZÁKAZNICKÁ ASISTENČNÍ SLUŽBA .....	154



## **ÚVOD**

### **Děkujeme vám, že jste si vybrali tento odsavač nad sporák.**

Návod k obsluze je sestaven tak, aby obsahoval všechny potřebné pokyny týkající se instalace, použití a údržby spotřebiče. Přečtěte si tento návod pečlivě ještě před instalací a použitím, abyste spotřebič používali správně a bezpečně.

Odsavač par je vyrobený z vysoce kvalitních materiálů a má aerodynamický design. Odsavač par je vybavený silným elektromotorem a odstředivým ventilátorem. Vyznačuje se velkým sacím výkonem, nízkou provozní hlučností, nepřilnavým tukovým filtrem a jednoduchou montáží.

Candy Hoover Group Srl tímto prohlašuje, že rádiové zařízení je v souladu se směrnicí 2014/53/EU a s příslušnými zákonnými požadavky (pro trh UKCA). Úplné znění prohlášení o shodě je k dispozici na této internetové adrese: [www.candy-group.com](http://www.candy-group.com)

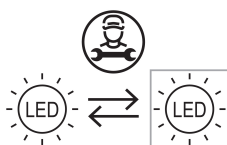
## **BEZPEČNOSTNÍ OPATŘENÍ**

- Nikdy nedovolte dětem, aby obsluhovaly tento odsavač.
- Odsavač par je určen pouze pro domácí použití, není vhodný pro grilování, pečení ani jiná komerční využití.
- Odsavač par včetně filtru je třeba pravidelně čistit a udržovat ho tím v řádném provozním stavu.
- Čistěte odsavač par podle návodu k obsluze, a předcházejte tak nebezpečí vznícení odsavače.
- Nedovolte přímé pečení na plynovém sporáku. Zajistěte v kuchyni vyhovující proudění vzduchu.
- Před připojením tohoto spotřebiče zkontrolujte, zda není poškozen napájecí kabel. Poškozený napájecí kabel smí vyměňovat pouze kvalifikovaný servisní personál.
- Pokud se odsavač používá společně s jinými spotřebiči spalujícími plyn nebo jiná paliva, musí být v místnosti zajištěno dostatečné větrání.
- Vzduch se nesmí odvádět do kouřovodu, který se používá k odtahu spalin ze spotřebičů spalujících plyn nebo jiná paliva.
- Musejí být dodrženy předpisy týkající se vypouštění vzduchu.
- Děti musí být pod dohledem, aby se zajistilo, že si se spotřebičem nebudou hrát.
- Pod odsavačem nepřipravujte flambovaná jídla.
- Odsavač není určen k instalaci nad varnou desku s více než čtyřmi plotýnkovými prvky.

- Pokud se odsavač používá společně s jinými spotřebiči spalujícími plyn nebo jiná paliva, musí být v místnosti zajištěno dostatečné větrání (nevztahuje se na spotřebiče, které pouze vypouštějí vzduch zpět do místnosti).
- Podrobnosti o způsobu a frekvenci čištění.
- Pokud čištění není prováděno v souladu s pokyny, hrozí nebezpečí vzniku požáru.
- Pod odsavačem nepřipravujte flambovaná jídla.
- **UPOZORNĚNÍ:** Přístupné části se při použití s varnými spotřebiči mohou zahřát.

### Nebezpečí úrazu elektrickým proudem

- Tento odsavač zapojte pouze do řádně uzemněné zásuvky. V případě pochybností požádejte o radu kvalifikovaného technika.
- Nedodržením těchto pokynů můžete způsobit úmrtí, požár nebo úraz elektrickým proudem.



Lampa použitá v tomto produktu není vhodná k použití při osvětlení místnosti. Účelem této žárovky je poskytnout osvětlení pro používání výrobku.

## Elektrická instalace

Veškerá instalace musí být provedena odborně způsobilou osobou nebo kvalifikovaným elektrikářem. Před připojením síťového napájení se ujistěte, že síťové napětí odpovídá napětí na typovém štítku.

### Přímé připojení

Spotřebič musí být připojen přímo k síti pomocí vícepólového jističe s minimální mezerou 3 mm mezi kontakty.

Instalační technik musí zajistit provedení správného elektrického připojení v souladu se schématem zapojení.

Kabel nesmí být nikde ohnutý ani stlačený.


Pravidelně kontrolujte zástrčku a napájecí kabel, zda nejsou poškozené. Pokud je napájecí kabel poškozen, musí být nahrazen speciálním kabelem nebo sestavou, která je k dispozici u výrobce nebo jeho servisního zástupce.

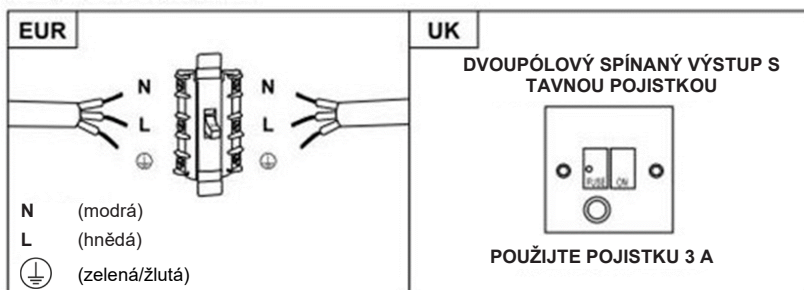
### VAROVÁNÍ: Jedná se o spotřebič třídy I A MUSÍ být uzemněn

Tento spotřebič je dodáván se 3žilovým síťovým kabelem s následujícími barvami:

hnědá = L nebo živý,

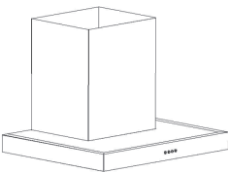

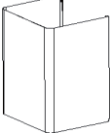

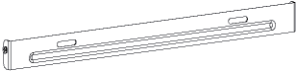
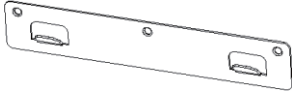





modrá = N nebo neutrální,

zelená a žlutá = E nebo uzemňovací .



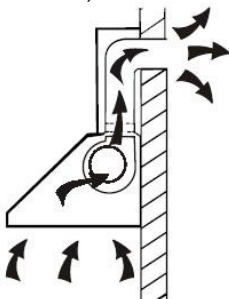
Pojistka musí být dimenzována na 3 A.

## Seznam standardního instalačního příslušenství

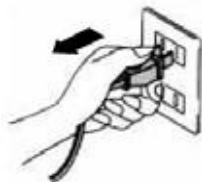
Spec.	Ilustrační obrázek	Množ.
Pažnice		1
Horní komín		1
Spodní komín		1
Držák spodního komínu		1
Držák horního komínu		1
Závěsná deska		1
Ø8 hmoždinky Ø8×Ø6 bílá barva		9
Šrouby ST4,0 × 30		9
Ø7,2 šrouby ST4,0 × 8		2
Vývod vzduchu		1
Uhlíkový filtr		2

## **INSTALACE (montáž na zed')**

Pokud máte vývod ven, můžete odsavač par připojit podle níže uvedeného obrázku pomocí odtahového potrubí (smaltové, hliníkové, nehořlavé ohebné potrubí s vnitřním průměrem 150 mm).



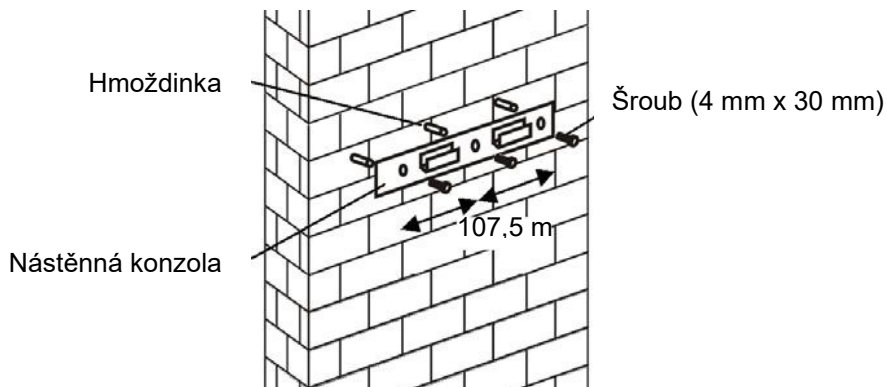
1. Před instalací odsavač vypněte a odpojte ho ze zásuvky.



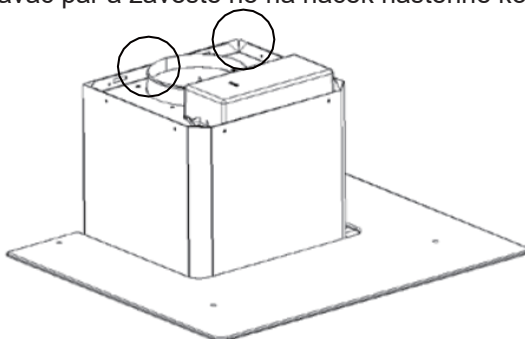
2. Odsavač par funguje nejlépe, pokud je umístěn ve vzdálenosti 65~75 cm nad varnou plochou.



3. Vyrtejte 3 x 8 mm otvory pro upevnění konzoly. Pomocí dodaných šroubů přišroubujte a utáhněte konzolu na zed'.



4. Zvedněte odsavač par a zavěste ho na háček nástěnné konzoly.

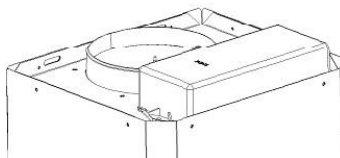


5. Připevněte jednosměrný ventil k vývodu vzduchu z odsavače par. Poté připojte odtahové potrubí k jednosměrnému ventilu, jak je znázorněno níže.

Odtahové potrubí



Odsavač par

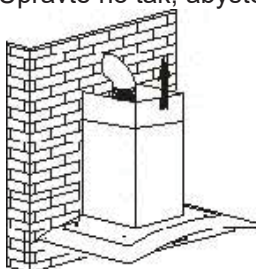


6.

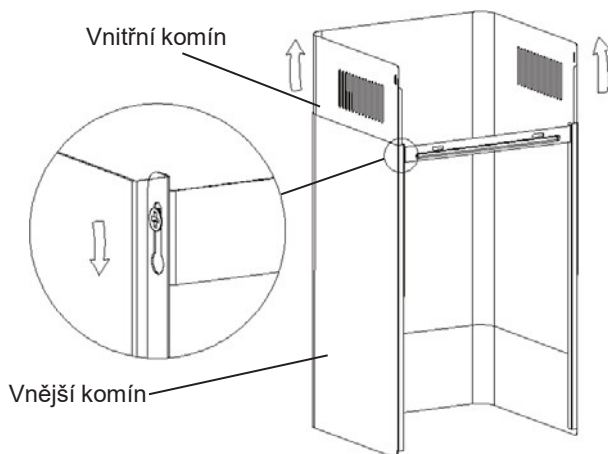
- i. Umístěte sklo do příslušné polohy na horní část odsavače par.
- ii. Upevněte ho pomocí 4 šroubů a podložek. Aby nedošlo k prasknutí skla, neutahujte šrouby příliš silně.

7.

- i. Vnitřní komín vložte do vnějšího komínu. Poté vnitřní komín vytáhněte nahoru. Upravte ho tak, abyste dosáhli požadované výšky.

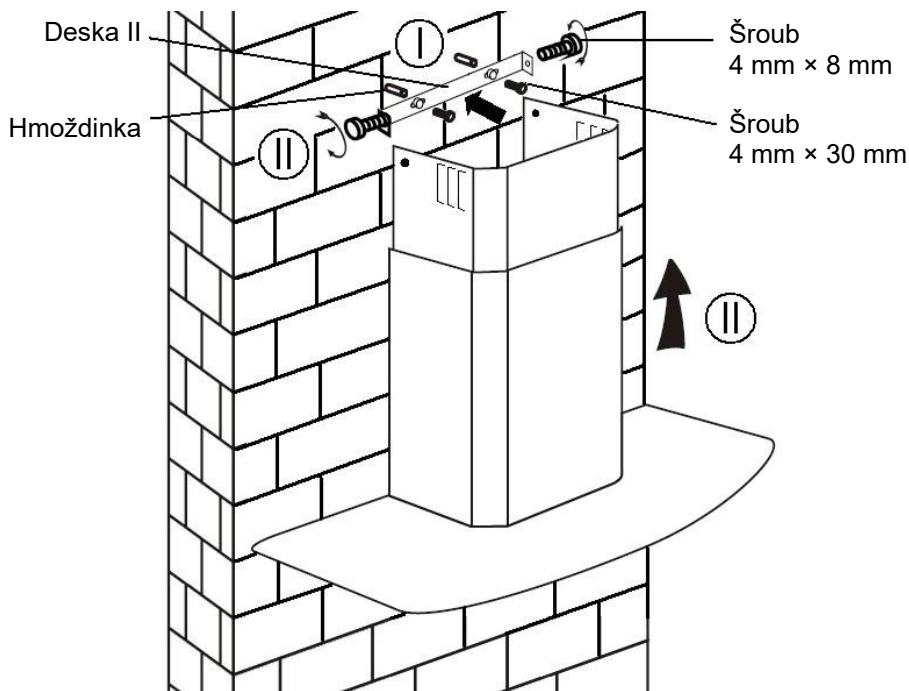


- ii. Posunutím komínu nastavíte jeho výšku. Jakmile dosáhnete požadované výšky, zavěste upevňovací otvor na upevňovací šrouby, jak je znázorněno na následujících obrázcích.



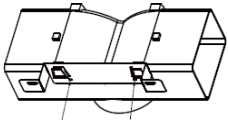
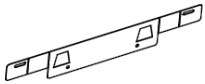



8.

- i. Vyrtejte 2 x 8 mm otvory pro umístění desky II. Přišroubujte a utáhněte desku II na zeď pomocí 2 dodaných šroubů.
- ii. Namontujte komín na jednotku a upevněte ho pomocí 2 šroubů.





## Seznam standardního instalačního příslušenství

Spec.	Ilustrační obrázek	Množ.
Deflektor vzduchu		1
Držák		1
Ø8 hmoždinky Ø8× Ø6 bílá barva		2
Šrouby ST4,0 × 30		2
Šrouby ST3,5 × 12		2

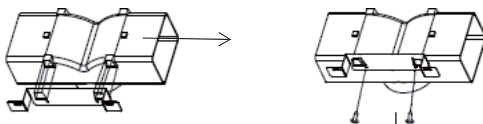
## **INSTALACE (DEFLEKTOR VZDUCHU):**

Deflektor vzduchu je uveden jako součást dodávky, nikoli volitelný.

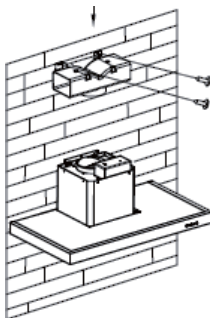
1. Před instalací zakřivte oba konce konzoly, jak je znázorněno níže:



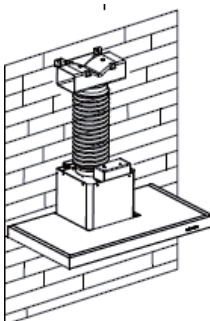
2. Připevněte konzolu k plastovému vývodu ve tvaru T pomocí 2 ks dodaných šroubů ST3,5 x 12 mm.



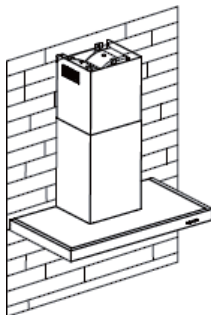
3. Vyvrtejte 2 otvory pro umístění hmoždinek, poté přišroubujte a utáhněte konzolu na zeď pomocí 2 ks dodaných šroubů ST4 x 30 mm.



4. Připojte odtahové potrubí k vývodu vzduchu z odsavače par, jak je znázorněno níže:



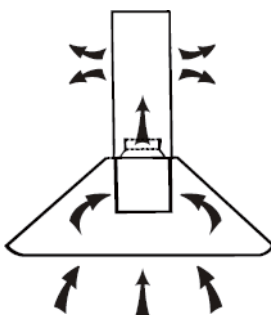
5. Namontujte komín na jednotku a upevněte ho.



- Vezměte prosím na vědomí: Plastový vývod ve tvaru T a klapky ve tvaru V nelze používat současně. Můžete je používat dvěma způsoby: 1) Přidejte klapku ve tvaru V na stávající vývod; 2) Použijte plastový vývod ve tvaru T, nepřidávejte klapku ve tvaru V.
- Poznámka: S výrobkem je jako příslušenství dodávána klapka ve tvaru V. Toto příslušenství není pro instalaci, provoz a používání výrobku povinné.

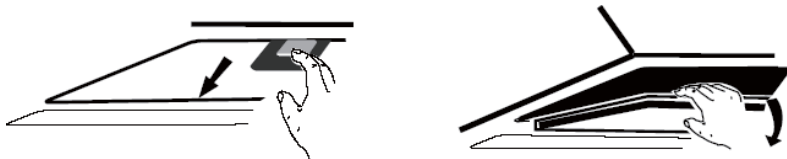
## **INSTALACE (ODVĚTRÁVÁNÍ DOVNITŘ)**

Pokud nemáte větrací otvor směrem ven, odtahové potrubí není nutné a instalace bude podobná jako na obrázku v části „INSTALACE (ODVĚTRÁVÁNÍ VEN)“.

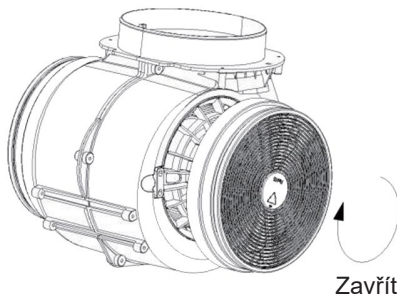


K zachycení pachů lze použít filtr s aktivním uhlím.

Při instalaci filtru s aktivním uhlím je třeba nejprve odmontovat tukový filtr. Stiskněte pojistku a stáhněte ho směrem dolů.



Vložte filtr s aktivním uhlím do odsavače a otočte jím ve směru hodinových ručiček. Stejný postup opakujte na druhé straně.



**POZNÁMKA:**

- o Ujistěte se, že je filtr pevně zajištěný. V opačném případě by se mohl uvolnit a představovat nebezpečí.
- o Když je osazen filtr s aktivním uhlím, sací výkon se sníží.

## Určené použití

**Před prvním použitím tohoto plazmového filtru si prosím důkladně přečtete tento návod k použití. Tato příručka obsahuje důležité informace o bezpečné instalaci, použití a péči o tento filtr. Tento návod si uschovejte pro budoucí použití a předejte jej dalšímu uživateli.**

Tento plazmový filtr lze bezpečně používat pouze tehdy, pokud je správně nainstalován v souladu s bezpečnostními pokyny. Za správnou funkci spotřebiče na místě instalace odpovídá instalační technik.

Tento plazmový filtr je určen pouze pro použití v domácnosti a domácím prostředí. Plazmový filtr nepoužívejte k jiným účelům, než ke kterým je určen. Během provozu nenechávejte spotřebič bez dozoru.

Tento plazmový filtr je určen k odstraňování prachových částic, pylů, mikroorganismů (roztoců, bakterií, virů a plísní), cigaretového kouře a pachů ze vzduchu. Přítomnost zápachu bude při vaření přetrvávat a zcela odstraněna může být až po dokončení vaření. Škodlivé plyny (oxid uhelnatý atd.) odstranit nelze.

Plazmový filtr produkuje ozon, jehož množství závisí na době používání filtru. Pokud je plazmový filtr umístěn v dobře větrané místnosti, je vyzařované množství v rámci stanovených bezpečnostních limitů a normy. Během používání se objevuje mírný ionizační zápach, který nenaznačuje vadné připojení nebo zařízení.

Tento spotřebič mohou používat děti starší 8 let a osoby se sníženými fyzickými, smyslovými nebo duševními schopnostmi nebo osoby s nedostatečnými zkušenostmi nebo znalostmi, pokud jsou pod dohledem osoby odpovědné za jejich bezpečnost nebo byly poučeny o tom, jak spotřebič bezpečně používat, a pochopily rizika spojená s jeho nesprávným používáním.

Děti si se spotřebičem nesmí hrát. Čištění a uživatelskou údržbu nesmí provádět děti, pokud nejsou starší 15 let a nejsou pod dohledem. Děti mladší 8 let udržujte v bezpečné vzdálenosti od spotřebiče a napájecího kabelu.

Po vybalení spotřebiče zkontrolujte, zda není poškozen. Spotřebič nepřipojujte, pokud byl během přepravy poškozen.



### Důležité

**Tento plazmový filtr je určen k použití v kombinaci s odsavačem par s kovovými tukovými filtry.**

**Výrobce neodpovídá za škody způsobené nesprávným používáním nebo nesprávnou obsluhou.**

## Návod k obsluze



**Varování:** Plazmový filtr používejte pouze v kombinaci s odsávací jednotkou s kovovými tukovými filtry. Vždy se ujistěte, že je plazmový filtr umístěn na místě s dobrým příívodem kyslíku a dobrou, stálou ventilací. Viz uživatelská příručka odsavače par.

### Ovládání plazmového filtru na odsavači par

Pro ovládání tohoto spotřebiče se jemně dotkněte sensorových tlačítek na ovládacím panelu odsavače.

Pro lepší odsávání vzduchu se doporučuje zapnout odsavač par několik minut před začátkem vaření a nechat ho zapnutý přibližně 15 minut po skončení vaření nebo alespoň po úplném odstranění zápachu z vaření.

Plazmový filtr používá sensorový spínač, který reaguje na proud vzduchu z odsavače par. Když je odsavač par zapnutý, vzduch prochází senzorem, který automaticky aktivuje plazmový filtr. Aktivace plazmového filtru může trvat přibližně 20 až 30 sekund v závislosti na typu odsavače par.

Kontrolka na plazmovém filtru se rozsvítí a zazní zvukový signál, který signalizuje, že plazmový filtr je nyní zapnutý.

### Čištění plazmového filtru

- Údržba není nutná, protože plazmový filtr se čistí automaticky, jakmile je uveden do provozu. Elektrody vykazují velmi dlouhou životnost a jsou při trvalém provozu téměř nezníčitelné.
- Filtr s aktivním uhlím se regeneruje při každém procesu, udržuje své póry čisté a předpokládá se, že vydrží nejméně 6 let, pokud se filtr s aktivním uhlím nepoužívá déle než 4 hodiny denně. Používání delší než 4 hodiny denně zkracuje životnost filtru s aktivním uhlím.

**Poznámka:** Je důležité dodržovat pokyny pro údržbu odsavače par. Tukový filtr je třeba pravidelně čistit a/nebo ve vhodných intervalech vyměňovat, aby se zabránilo jeho znečištění.

### Pravidelná údržba plazmového filtru

Abyste se ujistili, že je váš plazmový filtr v uspokojivém provozním stavu, obraťte se jednou za 5 let na místní poprodejní centrum, které provede pravidelnou kontrolu plazmového filtru.

## Řešení problémů

Problém	Možná příčina	Řešení
Plazmový filtr nefunguje	<p>Vypnutý přívod elektřiny</p> <p>Vadná pojistka</p> <p>Výpadek energie</p>	<p>Zkontrolujte, zda je zástrčka správně připojena a zda je zapnutý hlavní vypínač</p> <p>Zkontrolujte, zda v pojistkové skříni plazmového filtru není přepálená pojistka.</p> <p>Zkontrolujte, zda fungují ostatní elektrické spotřebiče</p>
Kontrolka na plazmovém filtru se nerozsvítila	<p>Spínač senzoru vzduchu může být vadný</p> <p>Porucha desky plošných spojů</p>	<p>Obratťe se na místní poprodejní centrum</p>

## POPIS SOUČÁSTÍ

### KONFIGURACE 1



## PROVOZ

**1 Tlačítko nízké rychlosti**  
Používá se na odvětrávání do kuchyně. Je vhodný pro dušení pokrmů a vaření, při kterém nevzniká velké množství páry.

**2 Tlačítko střední rychlosti**  
Rychlost proudění vzduchu je ideální pro odvětrávání při standardním vaření.


**3 Tlačítko vysoké rychlosti**  
Při vysoké hustotě kouře nebo páry stiskněte tlačítko vysoké rychlosti, které zajistí vysokou účinnost odvětrávání.

**B Boost 1 (rychlost 4)**  
Stiskněte tlačítko rychlosti b 1, rozsvítí se podsvícení tlačítka rychlosti B a odsavač par bude pracovat v intenzivním režimu.

**B<sup>+</sup> Boost 2 (rychlost 5)**  
Stiskněte tlačítko rychlosti b 2, rozsvítí se podsvícení tlačítka rychlosti B<sup>+</sup> a odsavač par bude pracovat v intenzivním režimu.

 **Osvětlení**  
**Krátké stisknutí pro zapnutí a vypnutí osvětlení**

**Rychlý časovač:** Dlouhé stisknutí tlačítka osvětlení po dobu 3 sekund, tlačítka otáček ventilátoru budou blikat a probíhá odpočet 5 minut, po 5 minutách se motor a osvětlení automaticky vypnou a bzučák třikrát zazní.

 **Připojení Wi-Fi**  
Dlouhé stisknutí ikony Wi-Fi a přechod do režimu připojení: podsvícení ikony Wi-Fi stále bliká a indikuje, že probíhá připojení, podsvícení ikony Wi-Fi svítí a indikuje, že připojení je navázáno, to stejné platí pro pohotovostní režim; opětovně dlouhé stisknutí ikony Wi-Fi ukončí připojení.



## KONFIGURACE 2

1

2

3

B



### POHOTOVOSTNÍ REŽIM

Po zapojení vše svítí, systém je v **POHOTOVOSTNÍM REŽIMU**.

1

#### **Tlačítko nízké rychlosti**

Používá se na odvětrávání do kuchyně. Je vhodný pro dušení pokrmů a vaření, při kterém nevzniká velké množství páry.

2

#### **Tlačítko střední rychlosti**

Rychlost proudění vzduchu je ideální pro odvětrávání při standardním vaření.

3

#### **Tlačítko vysoké rychlosti**

Při vysoké hustotě kouře nebo páry stiskněte tlačítko vysoké rychlosti, které zajistí vysokou účinnost odvětrávání.

B

#### **Funkce posilovače**

Tento odsavač je vybavený funkcí zvýšení otáček na maximum. Chcete-li aktivovat posilovač, stiskněte **B** na rychlost 4, zadejte nejvyšší rychlost, když je odsavač v provozu, a rychlost se zvýší na dobu 5 minut, než se opět zpomalí.



#### **Osvětlení**

##### **Krátké stisknutí pro zapnutí a vypnutí osvětlení**

**Rychlý časovač:** Dlouhé stisknutí tlačítka osvětlení po dobu 3 sekund, tlačítka otáček ventilátoru budou blikat a probíhá odpočet 5 minut, po 5 minutách se motor a osvětlení automaticky vypnou a bzučák třikrát zazní.



#### **Připojení Wi-Fi**

Dlouhé stisknutí ikony Wi-Fi a přechod do režimu připojení: podsvícení ikony Wi-Fi stále bliká a indikuje, že probíhá připojení, podsvícení ikony Wi-Fi svítí a indikuje, že připojení je navázáno, to stejné platí pro pohotovostní režim; opětovné dlouhé stisknutí ikony Wi-Fi ukončí připojení.

## Stáhněte si aplikaci hOn

Nejprve je třeba, abyste si stáhli aplikaci hOn a nainstalovali ji do svého přenosného zařízení. Poté zaregistruje svůj odsavač.



## POZNÁMKA

Get ready to add your appliance

- 1 Stay close to your appliance
- 2 While in front of your appliance, ensure that your smartphone is connected to a 2.4GHz Wi-Fi network with a stronger signal

**CHANGE WI-FI SETTINGS**

- 3 Public networks are not allowed due to low security and reliability.
- 4 Prepare to enter your Home Wi-Fi password.

## REGISTRACE ODSAVAČE HAIER



*Jediným účelem obrázku je představení odsavače. Nemusí být zcela vypovídající.*

1 – Držte stisknuté tlačítko Wi-Fi, dokud ikona nezačne blikat. Po dokončení párování se ikona Wi-Fi rozsvítí.

## ÚDRŽBA

Před čištěním vypněte odsavač a vytáhněte zástrčku.

### **I. Pravidelné čištění**

Používejte měkký hadřík navlhčený vlažnou vodou s jemným saponátem nebo čisticím prostředkem pro domácnosti. Nikdy nepoužívejte k čištění spotřebiče kovové drátěnky, chemický či abrazivní prostředek nebo tuhý kartáček.

### **II. Měsíční čištění tukového filtru**

**ZÁSADNÍ:** *Vyčištění filtru jednou za měsíc může zabránit nebezpečí požáru.*

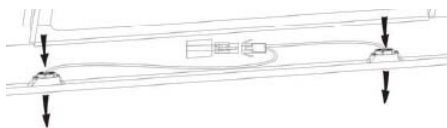
Filtr zachycuje tuk, kouř a prach...takže filtr přímo ovlivňuje účinnost odsavače par. Pokud ho nevyčistíte, budou zbytky tuku (potenciálně hořlavé) filtr zanášet. Vyčistěte ho čisticím prostředkem pro domácnosti.

### **III. Roční čištění filtru s aktivním uhlím**

Platí **POUZE** pro jednotku, která je instalovaná jako recirkulační jednotka (bez odvětrávání ven). Tento filtr zachycuje pachy a musí být vyměňován alespoň jednou ročně v závislosti na tom, jak často se odsavač par používá.

### **IV. Výměna žárovky**

Vyšroubujte šrouby a sejměte krycí sklo. Najděte žárovku, kterou je třeba vyměnit. Najdete ji v osvětlovacím tělese uvnitř odkryté části krytu odsavače.



Odpojte svorkovnici osvětlení a vytáhněte objímky žárovek včetně vodičů z odsavače. Důležité: Žárovky nelze měnit jednotlivě, bude nutné opatřit si žárovky, objímky žárovek a vodiče jako jeden celek. (LED žárovka: MAX 1,5 W)

Namontujte náhradní žárovky, objímky žárovek a vodiče na místa původních dílů. Poté znovu zapojte svorkovnici osvětlení.

Znovu nasadte sklo odsavače a upevněte skleněné šrouby. Ujistěte se, že šrouby jsou zcela utaženy.

## ŘEŠENÍ PROBLÉMŮ

Porucha	Příčina	Řešení
Osvětlení zapnuté, ale ventilátor nefunguje.	Lopatka ventilátoru je vzpříčená.	Vypněte jednotku a nechte ji opravit výhradně kvalifikovaným servisním personálem.
	Motor je poškozený.	
Osvětlení ani ventilátor nefungují.	Halogenová žárovka je spálená.	Vyměňte žárovku za stejný typ.
	Volný napájecí kabel.	Zastrčte ho znovu do síťové zásuvky.
Závažné vibrace odsavače.	Lopatka ventilátoru je poškozená.	Vypněte jednotku a nechte ji opravit výhradně kvalifikovaným servisním personálem.
	Motor ventilátoru není řádně upevněný.	Vypněte jednotku a nechte ji opravit výhradně kvalifikovaným servisním personálem.
	Odsavač není správně zavěšený na konzole.	Sundejte odsavač a zkontrolujte správné umístění konzoly.
Sací výkon je nízký.	Příliš velká vzdálenost mezi odsavačem a varnou plochou.	Nastavte vzdálenost na 65–75 cm.

Technologie	Wi-Fi
Norma	802.11 b/g/n
Frekvenční pásmo(-a) [MHz]	2400 MHz–2483,5 MHz
Maximální výkon [mW]	100 mW

Informace o produktu pro zařízení v síti	
Spotřeba elektrické energie výrobku v pohotovostním režimu při připojení k síti, pokud jsou všechny porty kabelové sítě připojeny a všechny porty bezdrátové sítě jsou aktivovány:	2 W
Jak aktivovat port bezdrátové sítě:	Pokud byl odsavač zaregistrován pomocí APLIKACE, aktivujete port bezdrátové sítě zapnutím odsavače.
Jak deaktivovat port bezdrátové sítě:	Pokud byl odsavač zaregistrován pomocí APLIKACE, deaktivujete port bezdrátové sítě vypnutím odsavače. Pokud nebyl odsavač zaregistrován pomocí APLIKACE, bude port bezdrátové sítě deaktivován i při zapnutém odsavači.

## ZÁKAZNICKÁ ASISTENČNÍ SLUŽBA

Pokud nemůžete zjistit příčinu provozní anomálie, vypněte spotřebič a obraťte se na asistenční službu.

**SÉRIOVÉ ČÍSLO PRODUKTU.** Kde ho najdu?

Je důležité, abyste asistenční službě podali informaci o kódu vašeho výrobku a jeho sériovém čísle (16místném kódu, který začíná číslem 3); ten naleznete na záručním listu nebo na štítku s údaji umístěném na spotřebiči.

Pomůže to vyhnout se zbytečným cestám techniků, čímž (což je nejdůležitější) ušetříte za související poplatky za přivolání.



Tento spotřebič je označen v souladu s evropskou směrnicí 2012/19/EU o odpadních elektrických a elektronických zařízeních (OEEZ).

OEEZ obsahuje jak znečišťující látky (které mohou mít negativní dopady na životní prostředí), tak základní složky (které lze znovu použít). Je nutné provést speciální zpracování OEEZ, aby se odstranily a správně zlikvidovaly všechny znečišťující látky a obnovily a zrecyklovaly všechny materiály.

Jednotlivci mohou hrát důležitou roli při zajišťování toho, aby se spotřebič podléhající OEEZ nestal zátěží pro životní prostředí. Je nezbytné dodržovat několik základních pravidel:

Spotřebič podléhající OEEZ se nesmí likvidovat jako domovní odpad;

Spotřebič podléhající OEEZ se musí předat na příslušné sběrné místo pod správou obce nebo autorizovaných společností. V mnoha zemích může být v případě velkých spotřebičů podléhajících OEEZ k dispozici domovní sběr.

V mnoha zemích, když si zakoupíte nový spotřebič, můžete starý spotřebič vrátit prodejci, který ho musí přijmout zdarma na základě výměny kus za kus, pokud je zařízení stejného typu a má stejné funkce jako dodané zařízení.

# NÁVOD NA INŠTALÁCIU A POUŽITIE

## **OBSAH**

ÚVOD .....	157
BEZPEČNOSTNÉ OPATRENIA .....	157
ELEKTRICKÁ INŠTALÁCIA .....	159
INŠTALÁCIA (MONTÁŽ NA STENU) .....	161
INŠTALÁCIA (VNÚTORNÉ VETRANIE) .....	167
POPIS KOMPONENTOV .....	172
ÚDRŽBA .....	172
RIEŠENIE PROBLÉMOV .....	175
ASISTENČNÁ SLUŽBA PRE ZÁKAZNÍKOV .....	176

## **ÚVOD**

### **Ďakujeme, že ste si vybrali tento digestor.**

Tento návod vám má poskytnúť všetky potrebné pokyny ohľadne inštalácie, používania a údržby prístroja. Pre správu a bezpečnú prevádzku zariadenia si starostlivo prečítajte tento návod ešte pred inštaláciou a používaním.

Digestor je vyrobený z vysokokvalitných materiálov a má moderný dizajn. Je vybavený vysokovýkonným elektromotorom a odstredivým ventilátorom a poskytuje tiež silný sací výkon, prevádzku s nízkou hlučnosťou, nelepivý tukový filter a jednoduchú montáž.

Týmto Candy Hoover Group Srl vyhlasuje, že rádiové zariadenie je v súlade so smernicou 2014/53/EÚ a príslušnými zákonnými požiadavkami (pre trh UKCA). Úplné znenie vyhlásenia o zhode je k dispozícii na tejto internetovej adrese: [www.candy-group.com](http://www.candy-group.com)

## **BEZPEČNOSTNÉ OPATRENIA**

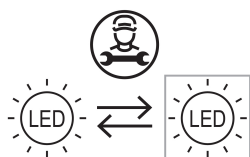
- Nikdy nedovoľte, aby zariadenie obsluhovali deti.
- Digestor je určený len na domáce použitie, nie je vhodný na grilovanie, opekanie či iné komerčné účely.
- Digestor aj príslušný filter sa musí pravidelne čistiť, aby boli v dobrom funkčnom stave.
- Vyčistíte digestor podľa návodu na použitie a dávajte pozor, aby zariadenie nebolo vystavené nebezpečenstvu ohňa.
- Priame pečenie pomocou plynového variča je zakázané. V kuchyni udržiajte dobré prúdenie vzduchu.
- Pred pripojením tohto zariadenia skontrolujte, či nie je poškodený napájací kábel. Poškodený napájací kábel môže vymeniť iba kvalifikovaný servisný pracovník.
- Počas používania digestora súčasne so zariadeniami, ktoré spaľujú plyn alebo iné palivá, treba mať dostatočné vetranie miestnosti.
- Vzduch sa nesmie odvádzať do komína, ktorý sa používa na odvádzanie výparov zo zariadení, ktoré spaľujú plyn alebo iné palivá.
- Musíte dodržiavať predpisy o odvádzaní vzduchu.
- Deti by mali byť pod dozorom, aby sa zaistilo, že sa nebudú hrať so zariadením.
- Pod digestorom nevlambujte.
- Digestor nie je určený na inštaláciu nad varnú dosku s viac

ako štyrmi varnými prvkami

- Počas používania digestora súčasne so zariadeniami, ktoré spaľujú plyn alebo iné palivá (neplatí pre spotrebiče, ktoré vzduch iba filtrujú a privádzajú ho späť do miestnosti), je potrebné mať dostatočné vetranie miestnosti;
- podrobnosti týkajúce sa metód a intervalov čistenia.
- ak sa čistenie nevykonáva v súlade s pokynmi, existuje riziko požiaru;
- pod digestorom neflambujte;
- **UPOZORNENIE:** Prístupné časti sa môžu zahriať pri používaní s varnými spotrebičmi.

### Nebezpečenstvo úrazu elektrickým prúdom

- Toto zariadenie zapojte iba do správne uzemnenej zásuvky. Ak máte pochybnosti, požiadajte o radu kvalifikovaného technika.
- Nedodržanie týchto pokynov môže spôsobiť smrť, požiar alebo zásah elektrickým prúdom.



Lampa použitá v tomto výrobku nie je vhodná na osvetlenie miestnosti.

Účelom tejto žiarovky je poskytnúť osvetlenie na používanie výrobku.



Všetky inštalačné práce musí vykonať kompetentná osoba alebo spôsobilý elektrikár. Pred pripojením sieťového napájania sa uistite, že sieťové napätie zodpovedá napätiu na typovom štítku.

### Priame pripojenie

Spotrebič musí byť pripojený priamo k sieti pomocou viacpólového ističa s minimálnou medzerou 3 mm medzi kontaktmi.

Inštalačný technik musí zabezpečiť vykonanie správneho elektrického pripojenia v súlade so schémou zapojenia.

Kábel sa nesmie ohýbať ani stláčať.

Pravidelne kontrolujte zástrčku a napájací kábel, či nie sú poškodené. Ak je napájací kábel poškodený, musí sa vymeniť za špeciálny kábel alebo sústavu od výrobcu alebo jeho servisného zástupcu.

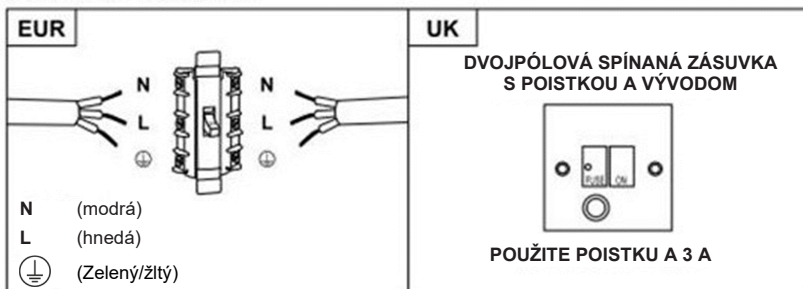
### VAROVANIE: Toto je zariadenie triedy I a MUSÍ byť uzemnené

Tento spotrebič je dodávaný so 3-žilovým sieťovým káblom s nasledujúcimi farbami:

hnedý = L alebo živý,

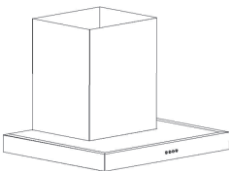
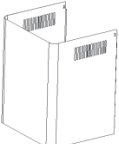
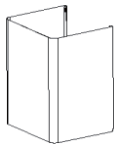

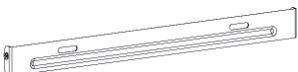






modrý = N alebo neutrálny,

zelený a žltý = E alebo uzemňovací (⊥)



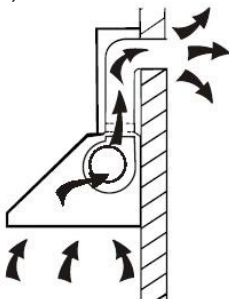
Poistka musí mať menovitý výkon 3 A.

## Zoznam štandardného inštalačného príslušenstva

Špecifikácia	Ilustračný obrázok	Množstvo
Kryt		1
Vrchný komín		1
Spodný komín		1
Držiak spodného komína		1
Držiak vrchného komína		1
Závesná doska		1
φ8 krycie uzávery φ8×φ6 biela farba		9
Skrutky ST4,0×30		9
φ7.2skrutky ST4.0×8		2
Vývod vzduchu		1
Uhlíkový filter		2

## **INŠTALÁCIA (montáž na stenu)**

Ak máte výstup na vonkajšiu stranu, digestor môžete pripojiť ako na obrázku nižšie pomocou extrakčného potrubia (smalt, hliník, ohybná rúra nehorľavá s vnútorným priemerom 150 mm).



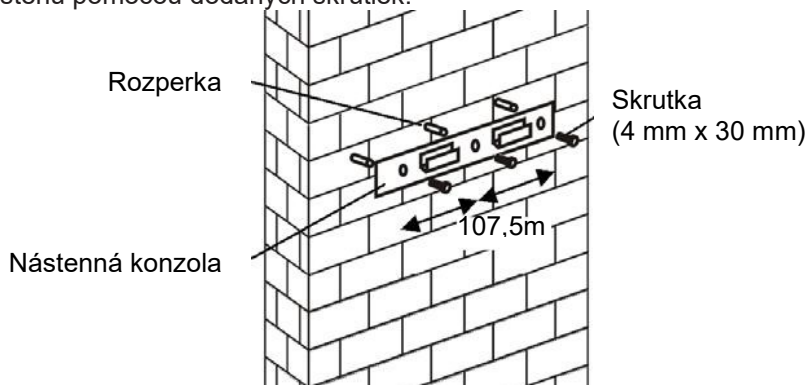
1. Prístroj pred inštaláciou vypnite a odpojte od siete.



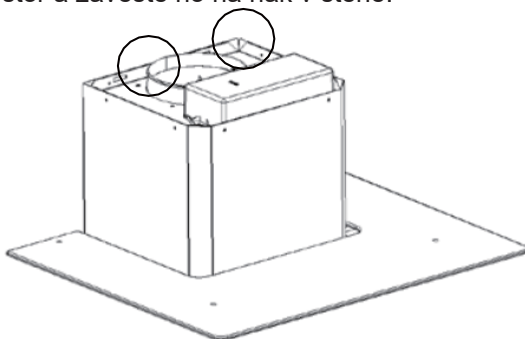
2. Digestor treba na dosiahnutie najlepšieho účinku umiestniť 65~75cm nad varnú dosku.



3. Vyrvajte 3 x 8 mm otvory pre držiak. Zaskrutkujte a utiahnite držiak na stenu pomocou dodaných skrutiek.



4. Zdvihnite digestor a zaveste ho na hák v stene.



5. Pripevnite jednosmerný ventil na výstup vzduchu z digestora. Potom pripojte výstupnú rúru k jednosmernému ventilu, ako je uvedené nižšie.

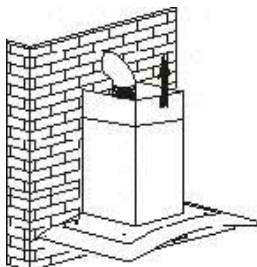
Odsávacie  
potrubie



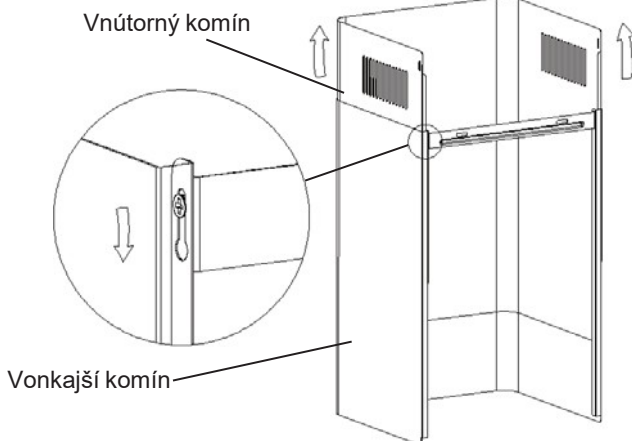
Kuchynský digestor



- 6.
- i. Umiestnite sklo do správnej polohy na vrchu digestora.
  - ii. Upevnite ho pomocou 4 skrutiek a podložiek. Aby ste zabránili praskaniu skla, neuťahujte skrutky príliš silno.
- 7.
- i. Vložte vnútorný komín do vonkajšieho komína. Potom vytiahnite vnútorný komín nahor. Nastavte tak, aby ste dosiahli požadovanú výšku.

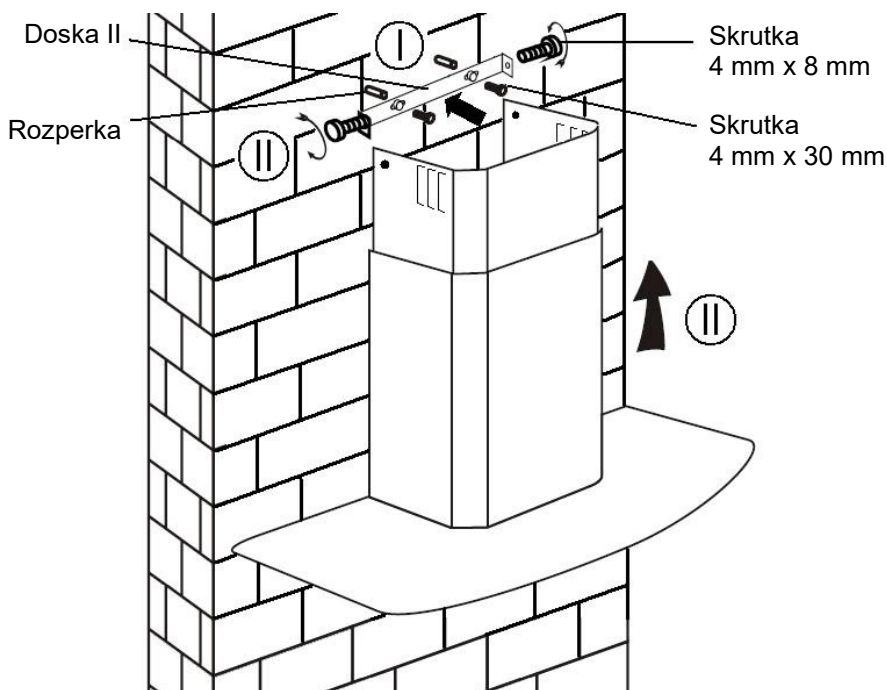


- ii. Posúvaním komína nastavte výšku komína. Keď dosiahnete požadovanú výšku, zaveste upevňovací otvor k upevňovacím skrutkám, ako je znázornené na obrázkoch nižšie.

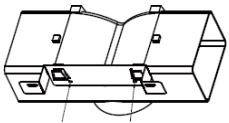
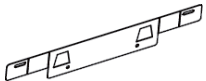





8.

- i. Vyvrtajte 2 x 8 mm otvory pre dosku II. Zaskrutkujte a utiahnite dosku II na stenu pomocou 2 dodaných skrutiek.
- ii. Namontujte komín na zariadenie a upevnite 2 skrutkami.



## Zoznam štandardného inštalačného príslušenstva

Špecifikácia	Ilustračný obrázok	Množstvo
Deflektor vzduchu		1
Konzola		1
Ø8 hmoždinky Ø8× Ø6biela farba		2
Skrutky ST4,0×30		2
Skrutky ST3,5×12 mm		2

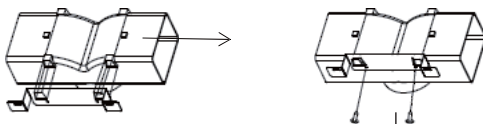
## **MONTÁŽ (VZDUCHOVÝ DEFLEKTOR):**

Deflektor vzduchu je uvedený ako súčasť balenia a nie je dobrovoľný.

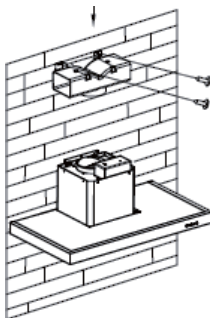
1. Pred montážou zahnite oba konce konzoly ako je zobrazené na obrázku:



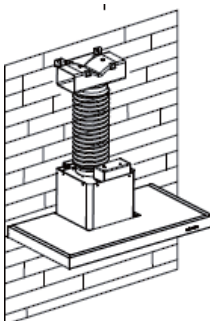
2. Upevnite konzolu k plastovému výstupu v tvare T pomocou dodaných 2ks skrutiek ST3,5x12 mm.



3. Vyvrtajte 2 otvory na upevnenie hmoždiniek do steny, potom priskrutkujte a utiahnite konzolu na stenu pomocou dodaných 2ks skrutiek ST4x30 mm.

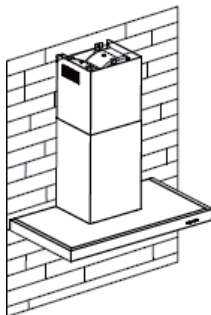


4. Pripojte výfukové potrubie na výstup vzduchu z digestora, ako je znázornené nižšie:





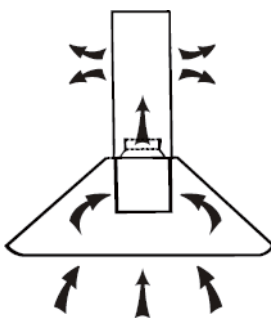
5. Nainštalujte komín na jednotku a upevnite ho.



- Upozorňujeme, že: Plastový výstup v tvare písmena T a v-klapky sa nemôžu používať súčasne. Môžete ich použiť dvoma spôsobmi: 1) Pridajte v- klapku na existujúci výstup; 2) Použite plastový výstup v tvare T, bez prídania v- klapky.”
- Poznámka: Výrobok je dodávaný s príslušenstvom pre v-klapky. Toto príslušenstvo nie je povinné na inštaláciu, prevádzku a používanie výrobku.”

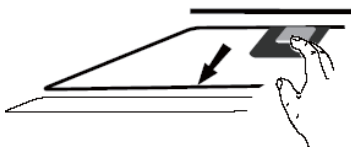
## **INŠTALÁCIA (VNÚTORNÉ VETRANIE)**

Ak nemáte vývod vonku, odsávacie potrubie nie je potrebné a inštalácia je podobná ako v časti „INŠTALÁCIA (VONKAJŠIE VETRANIE)“.

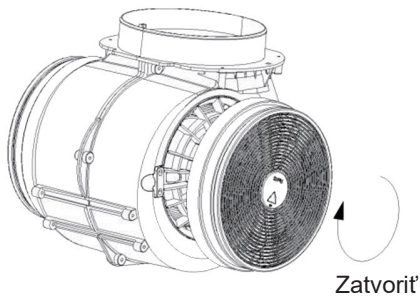


Filter s aktívnym uhlím sa dá používať na zachytávanie pachov.

Na inštaláciu filtra s aktívnym uhlím treba najprv odobrať tukový filter. Zatláčte zámok a potiahnite ho nadol.



Filter s aktivným uhlím vložte do jednotky a upevnite ho otočením v smere hodinových ručičiek. Ten istý postup zopakujte na opačnej strane.



**POZNÁMKA:**

- o *Presvedčte sa, že je filter bezpečne zaistený. Ináč by sa mohol uvoľniť a spôsobiť poškodenie.*
- o *Po pripojení filtra s aktivným uhlím sa zníži sací výkon.*

## Určené použitie

**Pred prvým použitím tohto plazmového filtra si dôkladne prečítajte túto používateľskú príručku. Táto príručka obsahuje dôležité informácie o bezpečnej inštalácii, používaní a starostlivosti o tento filter. Uschovajte si tieto pokyny pre budúce použitie a odovzdajte ich ďalšiemu používateľovi.**

Tento plazmový filter sa môže bezpečne používať len vtedy, ak je správne nainštalovaný v súlade s bezpečnostnými pokynmi. Inštalatér je zodpovedný za zabezpečenie správneho fungovania zariadenia na mieste inštalácie.

Tento plazmový filter je určený len na domáce použitie a pre domáce prostredie. Plazmový filter nepoužívajte na iné účely, ako na jeho špecifický účel. Počas prevádzky ne nechávajte zariadenie bez dozoru.

Tento plazmový filter je určený na odstránenie prachových častíc, peľu, mikroorganizmov (domáceho prachu, roztočov, baktérií, vírusov a plesní), cigaretového dymu a zápachu zo vzduchu. Prítomnosť zápachu bude stále prítomná pri varení a môže sa úplne odstrániť až po dokončení varenia. Škodlivé plyny (oxid uhoľnatý atď.) sa nedajú odstrániť.

Plazmový filter produkuje ozón, množstvo bude závisieť od času použitia filtra. Keď je plazmový filter umiestnený v dobre vetranej miestnosti, emitované množstvo je v rámci stanovených bezpečnostných limitov a štandardov. Počas používania bude prítomný mierny ionizačný zápach, ktorý nebude indikovať chybné pripojenie alebo zariadenie.

Toto zariadenie môžu používať deti staršie ako 8 rokov a osoby so zníženou fyzickou, zmyslovou alebo duševnou schopnosťou alebo osoby s nedostatkom skúseností alebo vedomostí, ak sú pod dohľadom osoby, ktorá je zodpovedná za ich bezpečnosť, alebo boli poučené o bezpečnom používaní zariadenia a pochopili riziká spojené s jeho nesprávnym používaním.

Deti sa so zariadením nesmú hrať. Čistenie a používateľskú údržbu nesmú vykonávať deti, pokiaľ nemajú viac ako 15 rokov a nie sú pod dohľadom. Dbajte na to, aby sa deti mladšie ako 8 rokov nachádzali v bezpečnej vzdialenosti od zariadenia a napájacieho kábla.

Po vybalení skontrolujte, či nie je zariadenie poškodené. Zariadenie nepripájajte, ak bolo počas prepravy poškodené.



### Dôležité

**Tento plazmový filter je určený na použitie v kombinácii s odsávačom s kovovými tukovými filtermi**

**Výrobca nezodpovedá za žiadne škody, ktoré sú spôsobené nesprávnym použitím alebo nesprávnou prevádzkou.**

## Návod na obsluhu



**Varovanie:** Plazmový filter používajte len v kombinácii s odsávacou jednotkou s kovovými tukovými filtrami. Vždy sa uistite, že plazmový filter je na mieste s dobrým prívodom kyslíka a dobrou trvalou ventiláciou. Pozrite si používateľskú príručku odsávača.

### Používanie plazmového filtra na odsávači

Na ovládanie tohto zariadenia sa jemne dotknite dotykových tlačidiel na ovládacom paneli na odsávači.

Na dosiahnutie lepšieho odsávania vzduchu sa odporúča zapnúť odsávač pár minút pred začatím varenia a nechať ho asi 15 minút po varení, alebo aspoň dovtedy, kým sa úplne odstráni všetok zápach z varenia.

Plazmový filter používa snímací spínač, ktorý reaguje na prúdenie vzduchu z odsávača. Keď je odsávač zapnutý, vzduch prechádza snímačom na automatickú aktiváciu plazmového filtra. Aktivácia plazmového filtra môže trvať približne 20 až 30 sekúnd v závislosti od typu odsávača.

Kontrolka na plazmovom filtri sa rozsvieti a zaznie zvukový signál, ktorý signalizuje, že plazmový filter je teraz zapnutý.

### Čistenie plazmového filtra

- Je potrebná malá údržba, pretože plazmový filter sa čistí automaticky hneď po uvedení do prevádzky. Elektródy majú veľmi dlhú životnosť a sú takmer nezničiteľné pri predurčenej prevádzke.
- Filter s aktívnym uhlím sa regeneruje pri každom procese, udržuje jeho póry čisté a očakáva sa, že bude vydrží najmenej 6 rokov, ak sa filter s aktívnym uhlím používa najviac 4 hodiny denne. Používanie dlhšie ako 4 hodiny denne zníži životnosť filtra s aktívnym uhlím.

**Poznámka:** Je dôležité dodržiavať pokyny na údržbu odsávača. Tukový filter sa musí pravidelne čistiť a/alebo vymieňať v primeraných intervaloch, aby sa zabránilo kontaminácii.

### Pravidelná údržba plazmového filtra

Aby ste sa uistili, že váš plazmový filter je v uspokojivom prevádzkovom stave, obráťte sa na miestne popredajné stredisko raz za 5 rokov, aby ste vykonali pravidelnú kontrolu plazmového filtra.

## Riešenie problémov



Problém	Možná príčina	Riešenie
Plazmový filter nefunguje	Chýba elektrické napájanie  Chybná poistka  Výpadok elektrickej energie	Skontrolujte, či je sieťová zástrčka správne pripojená a či je hlavný vypínač zapnutý  Skontrolujte poistkovú skrinku plazmového filtra, aby ste sa uistili, že poistka nie je vyhorená  Skontrolujte, či funguje iné elektrická zariadenie
Kontrolka na plazmovom filtri sa nerozsvietila	Spínač snímača vzduchu môže byť chybný  Zlyhanie dosky plošných spojov	Obráťte sa na miestne popredajné stredisko

## POPIS KOMPONENTOV

### KONFIGURÁCIA 1

1      2      3      B      B<sup>+</sup>            

## PREVÁDZKA

- 1 Tlačidlo pomalých otáčok**  
Používa sa na vetranie kuchyne. Je vhodný na dusenie a varenie, ktoré nevytvára veľa pary.
- 2 Tlačidlo stredných otáčok**  
Rýchlosť prúdenia vzduchu je ideálna pre vetranie pri štandardnom varení.
- 3 Tlačidlo vysokých otáčok**  
Ak vzniká vysoká hustota dymu alebo pary, stlačte tlačidlo vysokej rýchlosti pre vysokoúčinné vetranie.
- B Boost 1 (rýchlosť 4)**  
Stlačte tlačidlo rýchlosti b 1, podsvietenie tlačidla rýchlosti B je zapnuté a digestor pracuje v režime boost;
- B<sup>+</sup> Boost 2 (rýchlosť 5)**  
Stlačte tlačidlo rýchlosti b 2, podsvietenie tlačidla rýchlosti B+ je zapnuté a digestor pracuje v režime boost;
-  Svetlo**  
**Krátke stlačenie pre zapnutie a vypnutie osvetlenia**  
  
**Rýchly časovač:** Dlhé stlačenie tlačidla svetla na 3 sekundy, tlačidlá rýchlosti ventilátora budú blikať a začne odpočítavanie 5 minút, po 5 minútach sa motor a svetlo vypnú automaticky s tromi zvukmi bzučania.
-  Pripojenie Wi-Fi**  
Dlhé stlačenie ikony WiFi a prepnutie do režimu pripojenia: blikanie podsvietenia ikony WiFi indikuje, že pripojenie je v procese pripojenia, rozsvietené podsvietenie ikony WiFi indikuje, že je pripojené, rovnako ako v pohotovostnom režime; dlhé stlačenie ikony WiFi znova a pripojenie sa zastaví;

## KONFIGURÁCIA 2

1

2

3

B



### POHOTOVOST REŽIM.

Po zapojení, všetko osvetlenie, systém v **POHOTOVOSTNOM REŽIME**.

1

#### **Tlačidlo pomalých otáčok**

Používa sa na vetranie kuchyne. Je vhodný na dusenie a varenie, ktoré nevytvára veľa pary.

2

#### **Tlačidlo stredných otáčok**

Rýchlosť prúdenia vzduchu je ideálna pre vetranie pri štandardnom varení.

3

#### **Tlačidlo vysokých otáčok**

Ak vzniká vysoká hustota dymu alebo pary, stlačte tlačidlo vysokej rýchlosti pre vysokoúčinné vetranie.

B

#### **Funkcia zvýšenia výkonu**

Tento digestor má funkciu zvýšenia výkonu. Ak chcete aktivovať booster, stlačte **B** na rýchlosť 4 a prejdite na najvyššiu rýchlosť počas používania digestora a na 5 minút sa zvýši rýchlosť, potom sa znova zníži.



#### **Svetlo**

##### **Krátke stlačenie pre zapnutie a vypnutie osvetlenia**

**Rýchly časovač:** Dlhé stlačenie tlačidla svetla na 3 sekundy, tlačidlá rýchlosti ventilátora budú blikať a začne odpočítavanie 5 minút, po 5 minútach sa motor a svetlo vypnú automaticky s tromi zvukmi bzučania.



#### **Pripojenie Wi-Fi**

Dlhé stlačenie ikony WiFi a prepnutie do režimu pripojenia: blikanie podsvietenia ikony WiFi indikuje, že pripojenie je v procese pripojenia, rozsvietené podsvietenie ikony WiFi indikuje, že je pripojené, rovnako ako v pohotovostnom režime; dlhé stlačenie ikony WiFi znova a pripojenie sa zastaví;

## Stiahnite si aplikáciu hOn

Najprv by ste si mali stiahnuť aplikáciu hOn a nainštalovať ju do mobilného zariadenia. Potom registrujte váš digestor.



## POZNÁMKA

### Get ready to add your appliance

- 1 Stay close to your appliance
- 2 While in front of your appliance, ensure that your smartphone is connected to a 2.4GHz Wi-Fi network with a stronger signal

CHANGE WI-FI SETTINGS

- 3 Public networks are not allowed due to low security and reliability.
- 4 Prepare to enter your Home Wi-Fi password.

## REGISTRÁCIA DIGESTORA HAIER



*Jediným účelom obrázka je prezentovať digestor. Nemusí byť úplne reprezentatívny.*

1- Stlačte tlačidlo WiFi, kým ikona nezačne blikať. Po dokončení párovania bude ikona WiFi zapnutá.



## ÚDRŽBA

Jednotku pred čistením vypnite a vytiahnite zástrčku.

### **I. Bežné čistenie**

Použite jemnú handričku navlhčenú s vlažnou jemne mydlovou vodou alebo domácim čistiacim prostriedkom. Na čistenie jednotky nikdy nepoužívajte kovové podložky, abrazívny materiál ani pevné kefy.

### **II. Mesačné čistenie tukového filtra**

**DÔLEŽITÉ:** Čistenie filtra raz za mesiac môže zabrániť riziku požiaru.

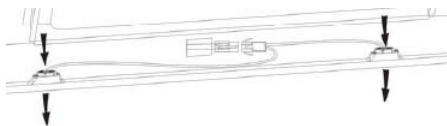
Filter zachytáva tuk, dym a prach... takže filter priamo ovplyvňuje účinnosť digestora. Ak ho nevyčistíte, nazbierajú sa na ňom mastné zvyšky (potenciálne horľavé). Vyčistite ho s domácim čistiacim prostriedkom.

### **III. Ročné čistenie filtra s aktívnym uhlím**

Používajte IBA na jednotku, ktorá je nainštalovaná ako obehová (nevyvedená von). Tento filter zachytáva pachy a musíte ho vymieňať aspoň raz ročne podľa toho ako často sa digestor používa.

### **IV. Výmena žiarovky**

Odskrutkujte skrutky na skle a vyberte sklo digestora. Nájdite žiarovku, ktorá sa musí vymeniť, nájdete ju umiestnenú v objímke, ktorá sa nachádza vo vnútri odkrytej časti ochranného krytu.



Odpojte bod vedenia svetla a vyberte držiaky žiaroviek a káble z digestora. Dôležité: Žiarovky nie je možné vymeniť jednotlivo, musíte použiť žiarovky, držiaky žiaroviek a vodiče ako kompletnú zostavu. (LED svetlo: MAX. 1,5 W)

Namontujte náhradné žiarovky, držiaky žiaroviek a vedenie rovnakým spôsobom ako pôvodné. Potom znova pripojte bod vedenia žiarovky.

Namontujte sklo digestora a upevnite skrutky skla. Uistite sa, že sú skrutky úplne utiahnuté.

## RIEŠENIE PROBLÉMOV

Porucha	Príčina	Riešenie
Svetlo svieti, ale nefunguje ventilátor	List ventilátora sa zasekol.	Vypnite zariadenie a nechajte ho opraviť kvalifikovanému servisnému personálu.
	Motor je poškodený.	
Nefunguje ani svetlo ani ventilátor	Vypálená halogénová žiarovka.	Vymeňte za žiarovku so správnym výkonom.
	Napájací kábel je uvoľnený.	Znova zapojte napájací zdroj.
Výrazné vibrácie zariadenia	List ventilátora je poškodený.	Vypnite zariadenie a nechajte ho opraviť kvalifikovanému servisnému personálu.
	Motor ventilátora nie je pevne upevnený.	Vypnite zariadenie a nechajte ho opraviť kvalifikovanému servisnému personálu.
	Zariadenie nie je správne zavesené na držiaku.	Zložte zariadenie a skontrolujte, či je držiak správne umiestnený.
Sací výkon nie je dobrý	Príliš veľká vzdialenosť medzi jednotkou a plochou na varenie	Znovu upravte vzdialenosť na 65 – 75 cm

Technológia	Wi-Fi
Norma	802.11 b/g/n
Frekvenčné pásmo(a)[MHz]	2400–2483,5 MHz
Maximálny výkon[mW]	100 mW

Produktové informácie o prepojenom zariadení	
spotreba elektrickej energie výrobku v pohotovostnom režime pri pripojení na sieť, ak sú všetky drôtové sieťové porty sú pripojené a všetky bezdrôtové sieťové porty sú aktivované:	2W
Ako aktivovať port bezdrôtovej siete:	Ak bol digestor zaregistrovaný v APLIKÁCII, zapnite digestor a aktivujte bezdrôtový sieťový port.
Ako deaktivovať port bezdrôtovej siete:	Ak bol digestor zaregistrovaný v APLIKÁCII, vypnite digestor a deaktivujte bezdrôtový sieťový port. Ak digestor nebol zaregistrovaný v APLIKÁCII, bezdrôtový sieťový port sa deaktivuje aj pri zapnutom digestore.

## **ASISTENČNÁ SLUŽBA PRE ZÁKAZNÍKOV**

Ak nedokážete identifikovať príčinu nesprávnej prevádzky, vypnite zariadenie a obráťte sa na asistenčnú službu.

**SÉRIOVÉ ČÍSLO VÝROBKU.** Kde ho môžem nájsť?

Je dôležité, aby ste pracovníkom asistenčnej služby oznámili kód produktu a jeho sériové číslo (16-miestny kód začínajúci číslom 3). Nachádza sa na záručnom liste alebo na štítku s údajmi na zariadení.

Pomôžete tým vyhnúť sa zbytočným výjazdom technikov, a tým (čo je najdôležitejšie) ušetriť príslušné poplatky za výjazdy.



Toto zariadenie je označené podľa európskej smernice 2012/19/EÚ o odpade z elektrických a elektronických zariadení (OEEZ).

OEEZ obsahuje aj znečisťujúce látky (ktoré môžu spôsobiť negatívne dôsledky na životné prostredie) aj základné zložky (ktoré sa môžu opätovne použiť). Je dôležité, aby sa s OEEZ manipulovalo ako so špeciálnym odpadom, aby sa odstránili a správne zlikvidovali všetky znečisťujúce látky a aby sa zhodnotili a recyklovali všetky materiály.

Jednotlivci môžu zohrávať dôležitú rolu pri zabezpečovaní toho, aby sa z OEEZ nestal problém životného prostredia; potrebné je dodržiavať niekoľko základných pravidiel:

S OEEZ sa nesmie manipulovať ako s domovým odpadom;

OEEZ je potrebné odovzdať v príslušných zberných strediskách spravovaných obcou alebo registrovanými spoločnosťami. V mnohých krajinách sa vykonáva vyzdvihnutie veľkého OEEZ v domácnostiach.

V mnohých krajinách môžete pri kúpe nového spotrebiča vrátiť starý predajcovi, ktorý je povinný vyzdvihnúť ho bezplatne systémom jedného starého zariadenia za jedno nové zariadenie ekvivalentného typu a s rovnakými funkciami ako má odovzdávané zariadenie.

