

# Haier

## User Manual

Refrigerator-Freezer  
HBW7518C  
HBW7518DT

EN

CZ

DE

EL

ES

FR

HU

IT

NL

PL

PT

RO

èñ

**WARNING:Risk of fire/flammable material****EN**

The symbol indicates there is a risk of fire since flammable materials are used. Take care to avoid causing a fire by ingiting flammable material.

**VAROVÁNÍ: Nebezpečí Požáru/Hořlavého Materiálu****CZ**

Symbol označuje riziko požáru, protože byly použity hořlavé materiály. Dbejte na to, aby nedošlo ke vzniku požáru zapálením hořlavého materiálu.

**WARNUNG:Brandgefahrbrennbares Material****DE**

Das Symbol weist auf Brandgefahrbrennbare Materialien verwendet werden. Verhindern Sie die Entstehung von Bränden, die durch entflammbare Materialien verursacht werden.

**ΠΡΟΣΟΧΗ: Κίνδυνος φωτιάς/εύφλεκτο υλικό****EL**

Το σύμβολο υποδεικνύει ότι υπάρχει κίνδυνος φωτιάς επειδή χρησιμοποιούνται εύφλεκτα υλικά. Προσέχετε να αποφεύγετε την πρόκληση φωτιάς από ανάφλεξη εύφλεκτου υλικού.

**ADVERTENCIA:Riesgo de incendio o material inflamable****ES**

El símbolo indica que existe riesgo de incendio, dado que se utilizan materiales inflamables. Se debe procurar evitar incendios medi ante la combustión de materiales inflamables.

**ATTENTION: Risque d'incendie ou de matières inflammables****ÉO**

Le symbole montre qu'il y'a le risque de matériaux inflammables sont utilisés. Prendre soin d'éviter de provoquer un incendie en ingérant des matières inflammables.

**FIGYELEM: Tűz / gyúlékony anyag veszélye****HU**

A szimbólum azt jelzi, hogy tűzveszély áll fenn, mivel gyúlékony anyagokat használnak. Ügyeljen arra, hogy ne tegyen rá tűzveszélyes gyúlékony anyagot.

**ATTENZIONE: Rischio di incendio/materiale infiammabile****IT**

Il simbolo indica il rischio di incendio nel caso di utilizzo di materiali infiammabili. Fare attenzione ed evitare l'insorgere di incendi a causa della combustione di materiali infiammabili.

**WAARSCHUWING: Brandrisico / brandbaar materiaal****NL**

Het systeem geeft aan dat er een brandrisico bestaat aangezien brandbaar materiaal wordt gebruikt. Zorg ervoor dat er geen brand wordt veroorzaakt door brandbaar materiaal te ont steken.

**OSTRZEŽENIE:Ryzyko pożaru/materiał łatwopalny****PL**

Symbol wskazuje, że istnieje ryzyko pożaru, ponieważ używane są materiały łatwopalne. Dbaj o to, aby uniknąć pożaru poprzez zapale nie łatwopalnego materiału.

**AVISO: Risco de incêndio e material inflamável****PT**

O símbolo indica que existe um risco de incêndio, uma vez que são utilizados materiais inflamáveis. Tenha cuidado para evitar provocar um incêndio acendendo material inflamável.

**AVERTISMENT: Risc de incendiu/material inflamabil****RO**

Simbolul indică că există risc de incendiu deoarece sunt folosite materiale inflamabile. Aveți grijă și evitați incendiile aprinzând materiale inflamabile.



<u>5 Safety information</u>	•	<u>Before first use</u>	6
		<u>Installation</u>	6
		<u>Daily use</u>	7
<u>10 Intended use</u>	•	<u>Refrigerant gas information</u>	9
<u>11 Product description</u>	•		
<u>12 Control panel</u>	•		
<u>24 Use</u>	•	<u>Lock/unlock panel</u>	13
		<u>Adjust the temperature for fridge</u>	13
		<u>Adjust the temperature for freezer</u>	13
		<u>Interconnection function</u>	14
		<u>ECO function</u>	15
		<u>Holiday function</u>	15
		<u>Super Cool function</u>	15
		<u>Super Freeze function</u>	16
		<u>My Zone function select</u>	17
<u>2: Equipment</u>	•		
<u>31 Energy saving tips</u>	•		
<u>32 Care and cleaning</u>	•		
<u>34 Troubleshooting</u>	•		
<u>38 Installation</u>	•		
<u>44 Technical data</u>	•		
<u>46 Customer service</u>	•		

## Thank you for purchasing a Haier Product.

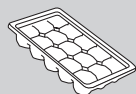
Please read these instructions carefully before using this appliance. The instructions contain important information which will help you get the best out of the appliance and ensure safe and proper installation, use and maintenance.

Keep this manual in a convenient place so you can always refer to it for the safe and proper use of the appliance.

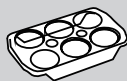
If you sell the appliance, give it away, or leave it behind when you move house, make sure you also pass this manual so that the new owner can become familiar with the appliance and safety warnings.

### Accessories

Check the accessories and literature in accordance with this list:



Ice cube tray



Egg tray



Energy label



Warranty card



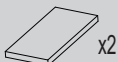
User manual



Screw



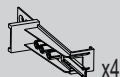
Cover



Sponge block



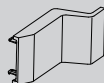
Slide guide



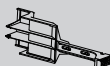
Slide asm.



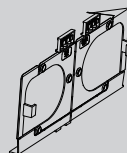
Fixed plate



Hinge cover



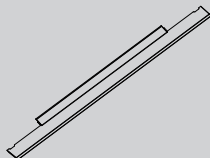
Fixed plate II



Bottom fixed plate



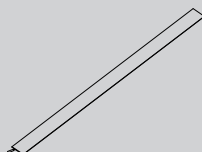
Top fixed plate



Bottom cover



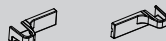
Bottom side cover



Seal strip



Seal sponge



Bottom hinge cover



## WARNING – Important Safety information



## NOTICE-General information and tips



## Environmental information



### Disposal

Help protect the environment and human health. Put the packaging in applicable containers to recycle it. Help to recycle waste of electrical and electronic appliances. Do not dispose appliances marked with this symbol with the household waste. Return the product to your local recycling facility or contact your municipal office.



## ú ä õ ñ ì ñ ê /

Risk of injury or suffocation!

Refrigerants and gases must be disposed of professionally. Ensure that the tubing of the refrigerant circuit is not damaged before being properly disposed of. Disconnect the appliance from the mains supply. Cut off the mains cable and dispose of it. Remove the trays and drawers as well as the door catch and seals, to prevent children and pets to get closed in the appliance.

**Before switching on the appliance for the first time read the following safety hints!:**



ú ä õ ñ ì ñ ê /

### Before first use

- ~ Make sure there is no transport damage.
- ~ Wait at least two hours before installing the appliance in order to ensure the refrigerant circuit is fully efficient.
- ~ Handle the appliance always with at least two persons because it is heavy.
- ~ Remove all packaging materials, keep them out of children`s reach and dispose them in an environmentally friendly manner.
- ~ Clean the inside and outside of the appliance with water and a mild detergent before putting any food in it.
- ~ After the appliance has been levelled and cleaned, wait for at least 2-5 hours before connecting it to the power supply. See Section INSTALLATION.
- ~ Precool the compartments at high settings before loading with food. The function Power- Freeze helps to cool down the compartments quickly.
- ~ The refrigerator temperature and freezer temperature are automatically set to 5°C and -18°C respectively. These are the recommended settings. If desired, you can change these temperatures manually. Please see ADJUST THE TEMPERATURE.

### Installation

- ~ The appliance should be placed in a well-ventilated place. Ensure a space of at least 10 cm above and around the appliance.
- ~ Never place the appliance in a damp area or location where it might be splashed with water. Clean and dry water splashes and stains with a soft clean cloth.
- ~ Do not install the appliance in direct sunlight or in the near of heat sources(e.g. stoves, heaters).
- ~ Install and level the appliance in an area suitable for its size and use.
- ~ Keep ventilation openings in the appliance or in the in-built structure clear of obstruction.
- ~ Make sure that the electrical information on the rating plate agrees with the power supply. If it does not, contact an electrician.
- ~ The appliance is operated by a 220-240 VAC/50 Hz power supply. Abnormal voltage fluctuation may cause the appliance to fail to start, or damage to the temperature control or compressor, or there may be an abnormal noise when operating. In such case, an automatic regulator shall be mounted.
- ~ Do not use multi-plug adapters and extension cables.
- ~ Do not locate multiple portable socket-outlets or portable power supplies at the rear of the appliance.
- ~ Ensure that the power cable is not trapped by the refrigerator. Do not step on the power cable.



## ú ä õ ñ ì ñ ê /

- ~ Use a separate earthed socket for the power supply which is easy accessible. The appliance must be earthed.  
Only for UK: The appliance's power cable is fitted with 3-cord (grounding) plug that fits a standard 3-cord (grounded) socket. Never cut off or dismount the third pin (grounding). After the appliance is installed, the plug should be accessible.
- ~ Do not damage the refrigerant circuit.

### Daily use

- ~ This appliance can be used by children aged from 8 years and above and persons with reduced physical, sensory or mental capabilities or lack of experience and knowledge if they have been given supervision or instruction concerning use of the appliance in a safe way and understand the hazards involved.
- ~ Children aged from 3 to 8 years are allowed to load and unload, but not allowed to clean or install the refrigerating appliances.
- ~ Keep away children under 3 years of age from the appliance unless they are constantly supervised.
- ~ Children shall not play with the appliance.
- ~ If cool gas or other inflammable gas is leaking in the vicinity of the appliance, turn off the valve of the leaking gas, open the doors and windows and do not unplug a plug in the power cable of the refrigerator or any other appliance.
- ~ Notice that the appliance is set for operation at a specific ambient range between 10 and 43°C. The appliance may not work properly if it is left for a long period at a temperature above or below the indicated range.
- ~ Do not place unstable articles (heavy objects, containers filled with water) on top of the refrigerator, to avoid personal injury caused by falling or electric shock caused by contact with water.
- ~ Do not pull on the door shelves. The door may be pulled slant, the bottle rack, may be pulled away, or the appliance may topple.
- ~ Open and close the doors only with the handles. The gap between the doors and between the doors and the cabinet is very narrow. Do not extend your hands in these areas to avoid pinching your fingers. Open or close the refrigerator doors only when there are no children standing within the range of door movement.



### ú ä õ ñ ì ñ ê /

- ~ Do not store or use inflammable, explosive or corrosive materials in the appliance or in the vicinity.
  - ~ Do not store medicines, bacteria or chemical agents in the appliance. This appliance is a household appliance. It is not recommended to store materials that require strict temperatures.
  - ~ Never store liquids in bottles or cans (besides high percentage spirits) especially carbonated beverages in the freezer, as these will burst during freezing.
  - ~ Check the condition of food if a warming in the freezer has taken place.
  - ~ Do not set unnecessarily low temperature in the refrigerator compartment. Minus temperatures may occur at high settings. Attention: Bottles can burst
  - ~ Do not touch frozen goods with wet hands (wear gloves). Especially do not eat ice lollies immediately after removal from the freezer compartment. There is the risk to freeze or the formation of frost blisters. FIRST aid: keep immediately under running cold water. Do not pull away!
  - ~ Do not touch the inside surface of the freezer storage compartment when in operation, especially with wet hands, as your hands may freeze onto the surface.
  - ~ Unplug the appliance in the event of a power interruption or before cleaning. Allow at least 7 minutes before restarting the appliance, as frequent starting may damage the compressor.
  - ~ Do not use electrical devices inside the food storage compartments of the appliance, unless they are of the type recommended by the manufacturer.
- Maintenance / cleaning
- ~ Make sure children are supervised if they carry out cleaning and maintenance.
  - ~ Disconnect the appliance from the electrical supply before undertaking any routine maintenance. Allow at least 5 minutes before restarting the appliance, as frequent starting may damage the compressor.



## ú ä õ ñ ì ñ ê /

- ~ Hold the plug, not the cable, when unplugging the appliance.
- ~ Do not clean the appliance with hard brushes, wire brushes, detergent powder, petrol, amyl acetate, acetone and similar organic solutions, acid or alkaline solutions. Please clean with special refrigerator detergent to avoid damage.
- ~ Do not scrape off frost and ice with sharp objects. Do not use sprays, electric heaters like heater, hair dryer, steam cleaners or other sources of heat in order to avoid damage to the plastic parts.
- ~ Do not use mechanical devices or other means to accelerate the defrosting process, other than those recommended by the manufacturer.
- ~ If the supply cord is damaged, it must be replaced by the manufacturer, its service agent or similarly qualified persons in order to avoid a hazard.
- ~ Do not try to repair, disassemble or modify the appliance by yourself. In case of repair please contact our customer service.
- ~ Eliminate the dust on the back of the unit at least once in the year to avoid hazard by fire, as well as increased energy consumption.
- ~ Do not spray or flush the appliance during cleaning.
- ~ Do not use water spray or steam to clean the appliance.
- ~ Do not clean the cold glass shelves with hot water. Sudden temperature change may cause the glass to break.

## Refrigerant gas information



## ú ä õ ñ ì ñ ê /

The appliance contains the flammable refrigerant ISOBUTANE (R600a). Make sure the refrigerant circuit is not damaged during transportation or installation. Leaking refrigerant may cause eye injuries or ignite. If a damage has occurred, keep away open fire sources, thoroughly ventilate the room, do not plug or unplug the power cords of the appliance or any other appliance. Inform the customer service.

In case of eyes get into contact with the refrigerant, rinse immediately it under running water and call immediately the eye specialist.

---

## Intended use

This appliance is intended for cooling and freezing food. It has been designed exclusively for use in household and similar applications such as staff kitchen areas in shops, offices and other working environments; farm houses and by clients in hotels, motels and other residential type environments as well as in bed-and-breakfast and catering business. It is not intended for commercial or industrial use.

Changes or modifications to the device are not allowed. Unintended use may cause hazards and loss of warranty claims.

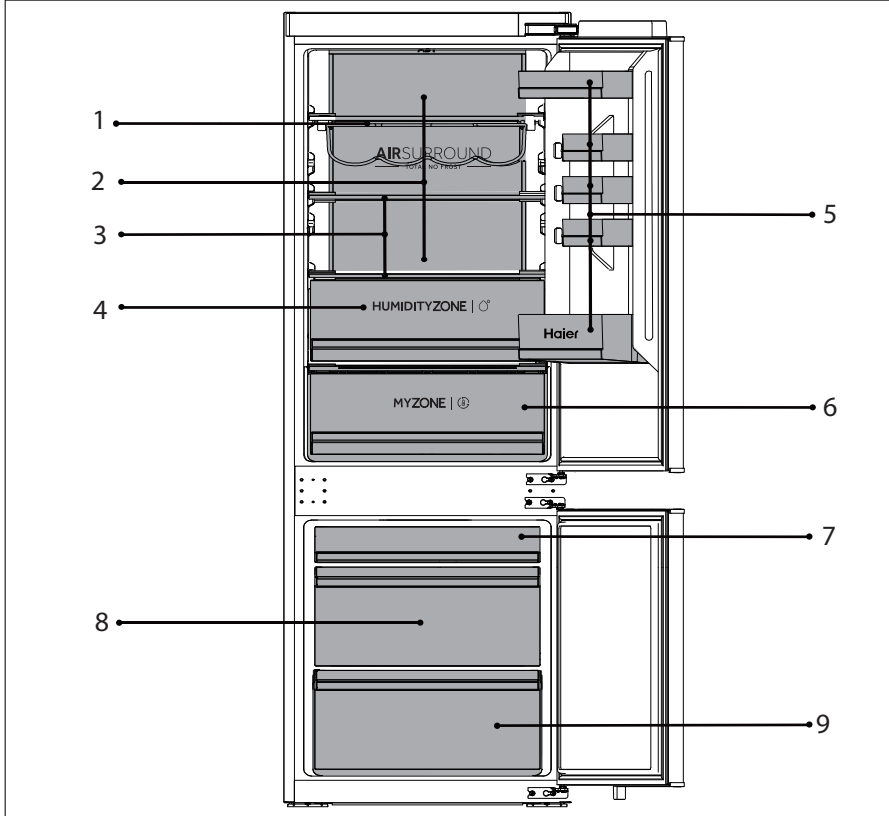
## Standards and directives

This product meets the requirements of all applicable EC directives with the corresponding harmonised standards, which provide for CE marking.



## **i** NOTICE

Due to technical changes and different models, some of the illustrations in this manual may differ from your model.



Ě ě 8629æ Ě ě 8629ç ÷

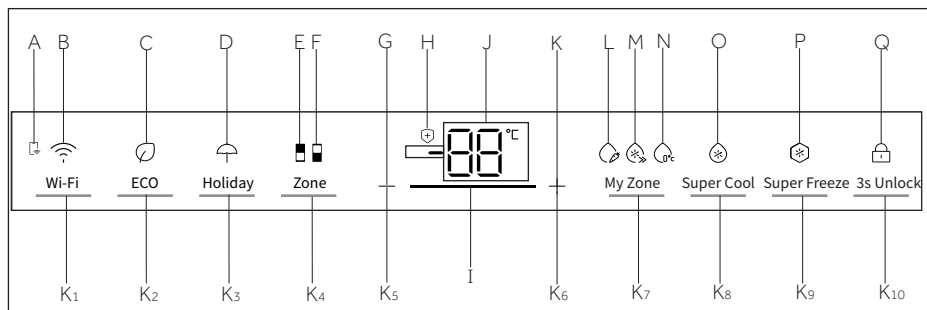
A: Refrigerating chamber

- 1 Wine rack
- 2 Refrigerated air duct
- 3 Ordinary shelves
- 4 Humidity Zone drawer
- 5 Bottle holder
- 6 MyZone drawer

B: Freezing chamber

- 7 Upper freezer drawer
- 8 Middle freezer drawer
- 9 Lower freezer drawer

## Control panel



## Indicators:

- A Mobile APP connection
- B Wi-Fi function
- C ECO function
- D Holiday function
- E Fridge indicator
- F Freezer indicator
- G Temperature adjustment "-"
- H Bactericidal function
- I Gear strength effect display
- J Temperature display
- K Temperature adjustment "+"
- L Fruit&Veg function
- M QuickCool function
- N 0°C Fresh function
- O Super Cool function
- P Super Freeze function
- Q Lock and Unlock

## Buttons:

- K1 Wi-Fi setting button
- K2 ECO function button
- K3 Holiday function button
- K4 Zone select button
- K5 Temperature adjustment button "-"
- K6 Temperature adjustment button "+"
- K7 My Zone function select button
- K8 Super Cool select button
- K9 Super Freeze select button
- K10 Lock and Unlock button

## Sensor keys

The buttons on the control panel are sensor keys, which already respond when lightly touched with the finger.

## Switch on /of the appliance

The appliance is in operation as soon as it is connected to the power supply.

When the refrigerator is first powered on, the indicator "J" (Temperature display) illuminates. The fridge temperature and freezer temperature are automatically set to 5°C and -18°C respectively. The indicator "M"(QuickCool display) illuminates.

The My Zone are automatically set to QuickCool function.

Maybe the panel lock is active.



## NOTICE

When the appliance is switched on after disconnection from the main power supply, it may take up to 12 hours for the correct temperatures to be reached.

Empty the appliance before switching off. To switch off the appliance, pull the power cord out of the power socket.

### Lock/unlock panel

**Automatic lock:** When the fridge door and freezer door are closed and there is no key operation within 30 seconds, the display screen will be automatically extinguished and locked.

**Manual lock:** When the display screen is unlocked, press the button "K<sub>10</sub>" (3S Unlock) and hold for 3 seconds, the buzzer rings once, the indicator "Q" (Panel lock) illuminates, and the display is locked.

**Unlock:** When the display screen is locked, press the button "K<sub>10</sub>" (3S Unlock) and hold for 3 seconds, the buzzer rings once, the indicator "Q" (Panel lock) goes off, and the display is unlocked.

Adjust the temperature

The indoor temperatures are influenced by the following factors:

Ambient temperature, Frequency of door opening, Amount of stored foods installation of the appliance.

### Adjust the temperature for fridge

When the display screen is unlocked, press the button "K<sub>4</sub>" (Zone selector). The buzzer rings once, the indicator "E" (Fridge indicator) illuminates, and then here comes the temperature setting mode of the fridge.

Press the button "K<sub>5</sub>" (Temperature adjustment button "-") every time, the buzzer rings once, the set temperature of the fridge will be reduced by 1. The fridge temperature will display in the sequence of "9°C -> 8°C -> 7°C -> 6°C -> 5°C -> 4°C -> 3°C -> 2°C -> 1°C".

Press the button "K<sub>6</sub>" (Temperature adjustment button "+") every time, the buzzer rings once, the set temperature of the fridge will be increased by 1. The fridge temperature will display in the sequence of "1°C -> 2°C -> 3°C -> 4°C -> 5°C -> 6°C -> 7°C -> 8°C -> 9°C".



## NOTICE

After setting the temperature, if there is no operation within 5 seconds, the system will be automatically determined and save the set temperature.

## Adjust the temperature for freezer

When the display screen is unlocked, press the button "K<sub>4</sub>" (Zone selector). The buzzer rings once, the indicator "F" (Freezer indicator) illuminates, and then here comes the temperature setting mode of the freezer.

Press the button "K<sub>5</sub>" (Temperature adjustment button "-") every time, the buzzer rings once, the set temperature of the freezer will be reduced by 1. The freezer temperature will display in the sequence of "-14°C->-15°C->-16°C->-17°C->-18°C->-19°C->-20°C->-21°C->-22°C->-23°C->-24°C".

Press the button "K<sub>6</sub>" (Temperature adjustment button "+") every time, the buzzer rings once, the set temperature of the freezer will be increased by 1. The freezer temperature will display in the sequence of "-24°C->-23°C->-22°C->-21°C->-20°C->-19°C->-18°C->-17°C->-16°C->-15°C->-14°C".



### NOTICE

After setting the temperature, if there is no operation within 5 seconds, the system will be automatically determined and save the set temperature.

## Wi-Fi function

1. When the display screen is unlocked, press the button "K<sub>1</sub>" (Wi-Fi function button), the buzzer rings once, the indicator "B" (Wi-Fi function) the shining state until it is connected. After the connection succeeds, keep it on for a long time, and then the Wi-Fi function will be turned on.
2. When the display screen is unlocked, press the button "K<sub>3</sub>" (Wi-Fi function button), the buzzer rings once, the indicator "B" (Interconnection function) goes off, and then the Wi-Fi function will be turned off.

## IN APP PAIRING PROCEDURE

### Step 1

- Download the hOn app on the stores



### Step 2

Create your account on the hOn App or log in if you already have an account



### Step 3

Follow pairing instructions in the hOn App



## ECO function

1. When the display screen is unlocked, press the button "K<sub>2</sub>" (ECO function button), the buzzer rings once, the indicator "C" (ECO function) illuminates, and then the ECO function will be turned on.
2. When the display screen is unlocked, press the button "K<sub>2</sub>" (ECO function button), the buzzer rings once, the indicator "C" (ECO function) goes off, and then the ECO function will be turned off.

## Holiday function

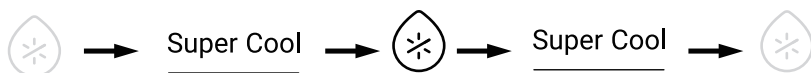
1. When the display screen is unlocked, press the button "K<sub>3</sub>" (Holiday function button), the buzzer rings once, the indicator "D" (Holiday function) illuminates, and then the Holiday function will be turned on.
2. When the display screen is unlocked, press the button "K<sub>3</sub>" (Holiday function button), the buzzer rings once, the indicator "D" (Holiday function) goes off, and then the Holiday function will be turned off.

## **i** NOTICE

1. The Holiday function is mainly used for short-term travel and other life scenes, and the fridge room must be emptied when use the holiday function.
2. In the Holiday function, the temperature of the fridge room will be higher (about 17 °C), please pay attention to empty the food in the fridge room to avoid food deterioration.
3. In Holiday function, the setting of "Fruit&Veg, QuickCool, 0°C Fresh" icons in My zone will be switched off and the temperature of My zone cannot be adjusted. The fridge compartment and My zone will display in the previous setting once exiting the Holiday function.

## Super Cool function

1. When the display screen is unlocked, press the button "K<sub>8</sub>" (Super Cool selector), the buzzer rings once, the indicator "O" (Super Cool function) illuminates, and then the Super Cool function will be turned on.
2. When the indicator "O" (Super Cool function) illuminates, press the button "K<sub>8</sub>" (Super Cool selector), the buzzer rings once, the indicator "O" (Super Cool function) goes off, and then the Super Cool function will be turned off.
3. After the Super Cool function is turned on, the refrigerator will automatically turn off the function when it reaches the set temperature. If you want to exit manually, you can press the button "K<sub>8</sub>" (Super Cool selector) to turn it off.



## **i** NOTICE

1. Under Super cool state, the fridge temperature cannot be adjusted. If either button "K<sub>5</sub>" (Temperature adjustment button "-") or button "K<sub>6</sub>" (Temperature adjustment button "+") is pressed to adjust the temperature of fridge, the indicator "O" (Super Cool indicator) will flash with a prompt sound to indicate that this operation cannot be carried out.
2. In the state of Super cool function, the Auto-set function cannot be turned on at the same time due to different control modes. When you choose one function that conflicts with another function, the original function will automatically exit.
3. This function will be automatically disable after 4 hours.

## ö ë

1. When the display screen is unlocked, press the button "K<sub>9</sub>" (Super Freeze selector), the buzzer rings once, the indicator "P" (Super Freeze function) illuminates, and then the Super Freeze function will be turned on.
2. When the indicator "P" (Super Freeze function) illuminates, press the button "K<sub>9</sub>" (Super Freeze selector), the buzzer rings once, the indicator "P" (Super Freeze function) goes off, and then the Super Freeze function will be turned off.

3. After the Super Freeze function is turned on, the refrigerator will automatically turn off the function when it reaches the set temperature. If you want to exit manually, you can press the button "K<sub>9</sub>" (Super Freeze selector) to turn it off.



## **i** NOTICE

1. Under Super Freeze state, the freezer temperature cannot be adjusted. If either button "K<sub>5</sub>" (Temperature adjustment button "-") or button "K<sub>6</sub>" (Temperature adjustment button "+") is pressed to adjust the temperature of freezer, the indicator "P" (Super Freeze indicator) will flash with a prompt sound to indicate that this operation cannot be carried out.
2. Super Freeze function is designed to keep nutrition value of frozen food, it will be freeze food in the shortest time. If large quantities of frozen food are to be frozen at one time. Meanwhile, Super Freeze function should be set 24h in advance to make the freezer own relatively low temperature and put food in. At this time, the freezing speed of the freezer is improved, food can be frozen quickly, the nutrition of food is effectively kept, and the storage becomes quite convenient.
3. The Super Freeze function will automatically switch off after 50 hours. The appliance is then operated at the previously set temperature.

## ð ý

When the display screen is unlocked, press the button "K<sub>7</sub>" (My Zone function select button), the buzzer rings once, the indicator "L" (Fruit&Veg function) illuminates, and then the Fruit&Veg function will be turned on. If either button "K<sub>7</sub>" is pressed to select the My Zone function, the buzzer rings once again, and the indicator "M" (Quick Cool function) illuminates, and then the QuickCool function will be turned on. The My Zone function options are "Fruit&Veg, QuickCool, and 0°C Fresh" in turn.

## **i** NOTICE

1. When the refrigerator is first powered on, the indicator "L" illuminates, the My Zone are automatically set to QuickCool function. One of the three My Zone indicator must be lit. When you select the My Zone function again, the previously lit My Zone indicator cannot be selected. Only one of the three functions can be configured. The three functions are mutually exclusive.
2. My Zone storage temperature setting number cannot be higher than the fridge temperature setting number.
3. To reduce the refrigerator compartment temperature use the 0°C Fresh function. To increase it, use the Fruit & Veg function.

**0 °C Fresh**

The fridge compartment is equipped with a My Zone drawer. In accordance with the food's storage demands, the most suitable temperature can be selected to get the optimal nutritional value of the foods. Following modes are available.

**Function Fruit&Veg**

This function is suitable to store fruits and vegetables like apples and carrots, etc.

**Function QuickCool**

This function is suitable to store drinks like coke and beer, etc.

**i NOTICE : Fruit&Veg**

Cold-sensitive fruits like pineapples, avocado, bananas, grapefruits and vegetables such as potatoes, aubergines, beans, cucumbers, zucchini and tomatoes and cheese should not be stored in the My Zone drawer.

**Function 0 °C Fresh**

This function sets the temperature in the My Zone drawer to 0°C. Suitable to store of fresh food such as meat or instant products. Most foods stay fresh at 0°C, but not frozen.

**i NOTICE : 1 °C Fresh**

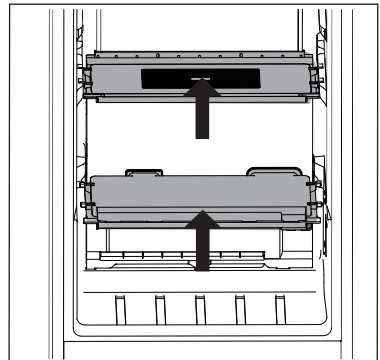
1. Due to different water contents of meat, some meat with more moisture will be frozen at temperatures lower than 0°C. So "immediately cut" meat should be stored in My Zone drawer, with temperatures min 0°C.
2. When you chose 0°C Fresh set the temperature of the refrigerating compartment in the low level (below 5°C), in order to preserve your food in the optimal storage environment.

**ë ý · þ**

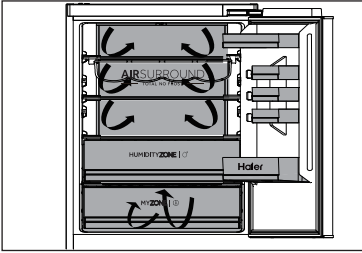
In this compartment the humidity level is higher than fridge compartment. It is controlled automatically by the system and is suitable to store fruits, vegetable, salads, etc.

**i NOTICE**

1. Do not remove the plastic cover inside the two zones.
2. They maintain the humidity.
3. Cold-sensitive fruits like pineapple, avocado, bananas, grapefruits are not recommended to be stored in these two drawers.

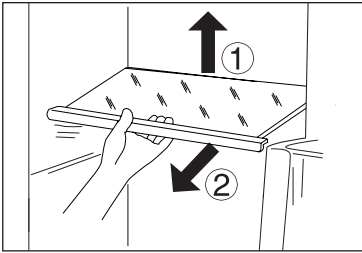






### Multi-air-flow

1. The refrigerator is equipped with a multi-air-flow system, with which cool air flows are located on every shelf level. This helps to maintain a uniform temperature to ensure that your food is kept fresher for longer.



### Adjustable shelves

1. The height of the shelves can be adjusted to fit your storage needs.
2. To relocate a shelf, remove it first by uplifting its hind edge ① and pulling it out ②.
3. To reinstall it, put it on the lugs on both sides and push it to the most rearward position until the rear of the shelf is fixed inside the slots in the sides.

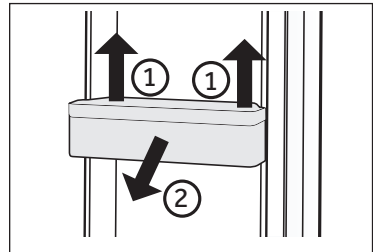


### NOTICE

Ensure that all ends of a shelf are level.

### Removable door racks/bottle holder

1. The door racks can be removed for cleaning:
2. Place hands on each side of the rack, lift it upwards ① and pull it out ②.
3. In order to insert the door rack, the above steps are carried out in reverse order.



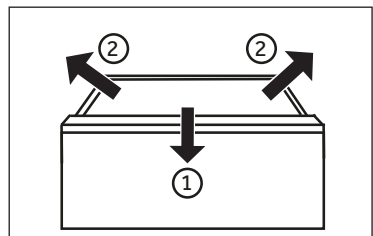
### NOTICE

When the appliance is switched on, it may take up to 12 hours for the correct temperatures to be reached.

### Removable drawer

To remove the drawer out, pull out to the maximum extent ①, lift and remove ②.

In order to insert the drawer, the above steps are carried out in reverse order.



### The Light

The LED interior light comes on when the door is opened. The performance of the lights is not affected by any of the appliances other settings.



## Energy saving tips

- ~ Make sure the appliance is properly ventilated (see INSTALLATION).
- ~ Do not install the appliance in direct sunlight or in the near of heat sources (e.g. stoves, heaters).
- ~ Avoid unnecessarily low temperature in the appliance. The energy consumption increases the lower the temperature in the appliance is set.
- ~ Functions like super Freeze consume more energy.
- ~ Allow warm food to cool down before placing it in the appliance.
- ~ Open the appliance door as little and as briefly as possible.
- ~ Do not overfill the appliance to avoid obstructing the air flow.
- ~ Avoid air within the food packaging.
- ~ Keep door seals clean so that the door always closes correctly.
- ~ Defreeze frozen food in the fridge storage compartment.
- ~ The most energy-saving configuration requires the appliance keep drawers, food box and shelves on factory-fresh condition, and food should be places as far as possible without blocking the air outlet of the duct.



## WARNING!

Disconnect the appliance from the power supply before cleaning.

### Cleaning

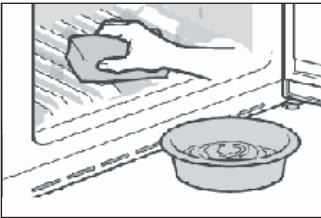
Clean the appliance when only little or no food is stored.

The appliance should be cleaned every four weeks for good maintenance and to prevent bad stored food odors.



## WARNING!

- ~ Do not clean the appliance with hard brushes, wire brushes, detergent powder, petrol, amyl acetate, acetone and similar organic solutions, acid or alkaline solutions. Please clean with special refrigerator detergent to avoid damage.
- ~ Do not spray or flush the appliance during cleaning.
- ~ Do not use water spray or steam to clean the appliance.
- ~ Do not clean the cold glass shelves with hot water. Sudden temperature change may cause the glass to break .
- ~ Do not touch the inside surface of the freezer storage compartment, especially with wet hands, as your hands may freeze onto the surface.
- ~ In case of heating check the condition of frozen goods.



- ~ Always keep the door gasket clean.
- ~ Clean the inside and housing of the appliance with a sponge dampened in warm water and neutral detergent.
- ~ 1. Please scrub the interior and exterior of the refrigerator, including door sealing, door rack, glass shelves, boxes and so on, with a soft towel or sponge dipped in warm water (you may add neutral detergent into the warm water).
- ~ 2. If there is liquid spilled, remove all the contaminated parts, directly rinse with the flow water, dry and place it back into the fridge.
- ~ 3. If there is spilled cream (such as the cream, melting ice cream), please remove all the contaminated parts, put into the warm water with about 40 °C for some time, then rinse with the flow water, dry and place it back into the fridge.
- ~ 4. In case some small part or component gets stuck inside of the fridge (between shelves or drawers), use small soft brush to release it. If you could not reach the part, please contact Haier service
- ~ Rinse and dry with soft cloth.
- ~ Do not clean any of the parts of the appliance in a dishwasher.
- ~ Allow at least 5 minutes before restarting the appliance as frequent starting may damage the compressor.

### Defrosting

The defrosting of the refrigerator and the freezer compartment are done automatically; no manual operation is needed.

## Replacing the LED-lamps



### WARNING!

Do not replace the LED lamp yourself, it must only be replaced by either the manufacturer or the authorised service agent.

The lamps adopts LED as its light source, featuring low energy consumption and long service life. If there is any abnormality, please contact the customer service . See CUSTOMER SERVICE.

Parameters of the lamps:

Refrigerator compartment: 12 V max 2 W

Freezer compartment: 12 V max 2 W

### Non-use for a longer period

If the appliance is not used for an extended period of time, and you will not use the Holiday-function for the refrigerator:

Take out the food.

Unplug the power cord.

Clean the appliance as described above.

Keep the doors open to prevent the creation of bad odours inside.



### NOTICE

Turn the appliance off only if strictly necessary.

### Moving the appliance

1. Remove all food and unplug the appliance.
2. Secure shelves and other moveable parts in the fridge and the freezer with adhesive tape.
3. Do not tilt the refrigerator more than 45° to avoid damaging the refrigerating system.



### WARNING!

- ~ Do not lift the appliance by its handles.
- ~ Never place the appliance horizontally on the ground.

Many occurring problems could be solved by yourself without specific expertise. In case of a problem please check all shown possibilities and follow below instructions before you contact an after sales service. See CUSTOMER SERVICE.



**WARNING!**

- ~ Before maintenance, deactivate the appliance and disconnect the mains plug from the mains socket.
- ~ Electrical equipment should be serviced only by qualified electrical experts, because improper repairs can cause considerable consequential damages.
- ~ A damaged supply should only be replaced by the manufacturer, its service agent or similarly qualified persons in order to avoid a hazard.

Problem	Possible Cause	Possible Solution
The compressor does not work.	<ul style="list-style-type: none"> <li>• Mains plug is not connected in the mains socket.</li> <li>• The appliance is in the defrosting cycle</li> </ul>	<ul style="list-style-type: none"> <li>• Connect the mains plug.</li> <li>• This is normal for an automatic defrosting</li> </ul>
The appliance runs frequently or runs for a too long period of time.	<ul style="list-style-type: none"> <li>• The indoor or outdoor temperature is too high.</li> <li>• The appliance has been off power for a period of time.</li> <li>• A door of the appliance is not tightly closed.</li> <li>• The door has been opened too frequently or for too long.</li> <li>• The temperature setting for the freezer compartment is too low.</li> <li>• The door gasket is dirty, worn, cracked or mismatched.</li> <li>• The required air circulation is not guaranteed.</li> </ul>	<ul style="list-style-type: none"> <li>• In this case, it is normal for the appliance to run longer.</li> <li>• Normally, it takes 8 to 12 hours for the appliance to cool down completely.</li> <li>• Close the door/drawer and ensure the appliance is located on a level ground and there is no food or container jarring the door.</li> <li>• Do not open the door/drawer too frequently.</li> <li>• Set the temperature higher until a satisfactory refrigerator temperature is obtained. It takes 24 hours for the refrigerator temperature to become stable.</li> <li>• Clean the door/drawer gasket or replace them by the customer service.</li> <li>• Ensure adequate ventilation.</li> </ul>
The inside of the refrigerator is dirty and/or smells.	<ul style="list-style-type: none"> <li>• The inside of the refrigerator needs cleaning.</li> <li>• Food of strong odour is stored in the refrigerator.</li> </ul>	<ul style="list-style-type: none"> <li>• Clean the inside of the refrigerator.</li> <li>• Wrap the food thoroughly..</li> </ul>

Problem	Possible Cause	Possible Solution
It is not cold enough inside the appliance.	<ul style="list-style-type: none"> <li>• The temperature is set too high.</li> <li>• Too warm goods has been stored.</li> <li>• Too much food has been stored at one time.</li> <li>• The goods are too close to each other.</li> <li>• A door/drawer of the appliance is not tightly closed.</li> <li>• The door/drawer has been opened too frequently or for too long.</li> </ul>	<ul style="list-style-type: none"> <li>• Reset the temperature.</li> <li>• Always cool down goods before storing them.</li> <li>• Always store small quantities of food.</li> <li>• Leave a gap between several foods allowing air flowing.</li> <li>• Close the door/drawer.</li> <li>• Do not open the door/drawer too frequently.</li> </ul>
It is too cold inside the appliance.	<ul style="list-style-type: none"> <li>• The temperature is set too low.</li> <li>• The Super Freeze/Super Cool function is activated or is running too long.</li> </ul>	<ul style="list-style-type: none"> <li>• Reset the temperature.</li> <li>• Switch off the Super Freeze/Super Cool function</li> </ul>
Moisture formation on the inside of the refrigerator compartment.	<ul style="list-style-type: none"> <li>• The climate is too warm and toodamp.</li> <li>• A door/drawer of the appliance is not tightly closed.</li> <li>• The door/drawer has been opened too frequently or for too long.</li> <li>• Food containers or liquids are left open.</li> </ul>	<ul style="list-style-type: none"> <li>• Increase the temperature.</li> <li>• Close the door/drawer.</li> <li>• Do not open the door/drawer too frequently.</li> <li>• Let hot foods cool to room temperature and cover foods and liquids.</li> </ul>
Moisture accumulates on the refrigerators outside surface or between the doors/door and drawer.	<ul style="list-style-type: none"> <li>• The climate is too warm and too damp.</li> <li>• The door is not closed tightly. The cold air in appliance and warm air outside it condensates.</li> </ul>	<ul style="list-style-type: none"> <li>• This is normal in damp climate and will change when the humidity decreases.</li> <li>• Ensure that he door/drawer is tightly shut.</li> </ul>
The display light works but does not feel cool.	<ul style="list-style-type: none"> <li>• It is in demo mode.</li> </ul>	<ul style="list-style-type: none"> <li>• Please note what condition it is in, if it is in Demo mode, exit it. Exit: Hold the "ECO" button, and click the "Super Freeze" key 5 times in 5s.</li> </ul>

Problem	Possible Cause	Possible Solution
Strong ice and frost in the freezer compartment.	<ul style="list-style-type: none"> <li>• The goods were not adequately packaged .</li> <li>• A door/drawer of the appliance is not tightly closed.</li> <li>• The door/drawer has been opened too frequently or for too long.</li> <li>• The door/drawer gasket is dirty, worn, cracked or mismatched.</li> <li>• Something on the inside prevents the door/drawer to close properly.</li> </ul>	<ul style="list-style-type: none"> <li>• Always pack the goods well.</li> <li>• Close the door/drawer.</li> <li>• Do not open the door/drawer too frequently.</li> <li>• Clean the door/drawer gasket or replace them by new ones.</li> <li>• Reposition the shelves, door racks, or internal containers to allow the door/drawer to close.</li> </ul>
The sides of the cabinet and door strip get warm.	<ul style="list-style-type: none"> <li>• -</li> </ul>	<ul style="list-style-type: none"> <li>• This is normal.</li> </ul>
The appliance makes abnormal sounds.	<ul style="list-style-type: none"> <li>• The appliance is not located on level ground.</li> <li>• The appliance touches some object around it.</li> </ul>	<ul style="list-style-type: none"> <li>• Adjust the feet to level the appliance.</li> <li>• Remove objects around the appliance.</li> </ul>
A slight sound is to be heard similar to that of flowing water.	<ul style="list-style-type: none"> <li>• -</li> </ul>	<ul style="list-style-type: none"> <li>• This is normal.</li> </ul>
You will hear an alarm beep.	<ul style="list-style-type: none"> <li>• The fridge storage compartment door is open.</li> </ul>	<ul style="list-style-type: none"> <li>• Close the door.</li> </ul>
You will hear a faint hum.	<ul style="list-style-type: none"> <li>• The anti-condensation system is working</li> </ul>	<ul style="list-style-type: none"> <li>• This prevents condensation and is normal</li> </ul>
The interior lighting or cooling system does not work.	<ul style="list-style-type: none"> <li>• Mains plug is not connected in the mains socket.</li> <li>• The power supply is not intact.</li> <li>• The LED-lamp is out of order.</li> </ul>	<ul style="list-style-type: none"> <li>• Connect the mains plug.</li> <li>• Check the electrical supply to the room. Call the local electricity company!</li> <li>• Please call the service for changing the lamp.</li> </ul>

To contact the technical assistance, visit our website: <https://corporate.haier-europe.com/en/>

Under the section "website", choose the brand of your product and your country. You will be redirected to the specific website where you can find the telephone number and form to contact the technical assistance.

### Power interruption

In the event of a power cut, food should remain safely cold for about 5 hours. Follow these tips during a prolonged power interruption, especially in summer:

- ~ Open the door/drawer as few times as possible.
- ~ Do not put additional food into the appliance during a power interruption.
- ~ If prior notice of a power interruption is given and the interruption duration is longer than 5 hours, make some ice and put it in a container in the top of the refrigerator compartment.
- ~ An inspection of the goods is required immediately after the interruption.
- ~ As temperature in the refrigerator will rise during a power interruption or other failure, the storage period and edible quality of food will be reduced. Any food that defrosts should be either consumed, or cooked and refrozen (where suitable) soon afterwards in order to prevent health risks.

### Memory function during power interruption

After restoration of power the appliance continues with the settings that were set before the power failure.



## Unpacking



### WARNING!

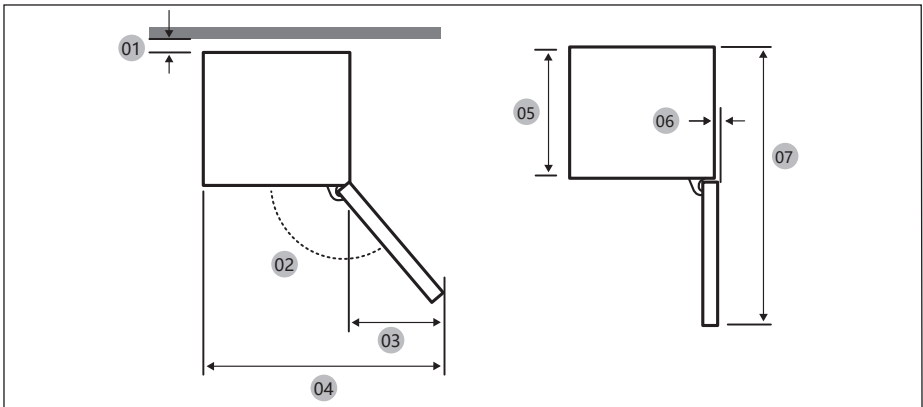
- ~ The appliance is heavy. Always handle with at least two persons.
- ~ Keep all packaging materials out of children's reach and dispose them in an environmentally friendly manner.
- ~ Take the appliance out of the packaging.
- ~ Remove all packaging materials.

## Environmental conditions

The room temperature should always be between 10° C and 43° C, since it can influence the temperature inside the appliance and its energy consumption. Do not install the appliance near other heat-emitting appliances (ovens, refrigerators) without isolation.

## Space requirement

Required space when door is opened (Without cabinet door panel)

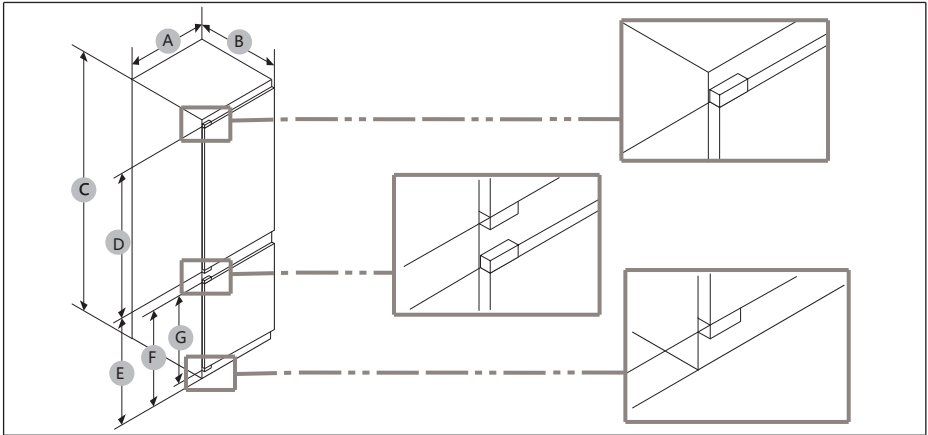


Model	HBW7518C HBW7518DT
01 *	10 (Min.) / 30 (Recommended)
02	95° (Recommended)
03	43
04	583
05	515
06	-3
07	1060

(unit : mm)

\* 01: From cabinet to rear of product.

## Product dimention



Model	A(mm)	B(mm)	C(mm)	D(mm)	E(mm)	F(mm)	G(mm)
HBW7518C HBW7518DT	540±2	550±2	1772±2	970	745	662	618

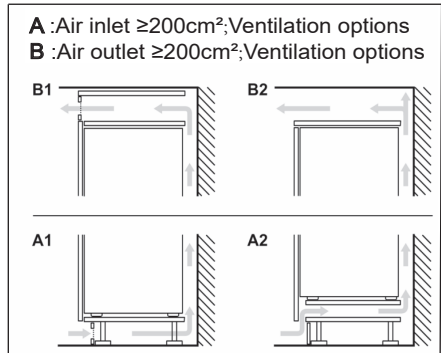
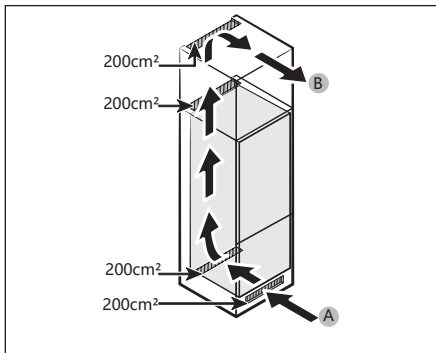


## NOTICE

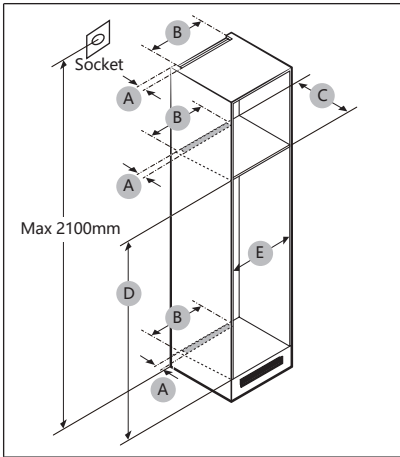
- The specified energy consumption is based on the condition of a 10 mm gap from cabinet to rear of product. The product will work properly even with a gap which is less than 10 mm, however it consumes slightly more energy.
- We recommend using a cabinet that is 18mm thick with hinges less than 20mm thick.
- The measurements in the above table may differ, depending on the measuring method.
- For built-in installation, see the Installation Guide.

## Ventilaton cross-section

To achieve sufficient ventilation of the appliance for safety reasons, the information of the required ventilation cross sections must be observed.



## Cabinet dimension



### **CAUTION!**

Any product failure due to the following is not covered by the Warranty.

1. Improper site conditions or incorrect cabinet sizes.
2. Defective cabinet.
3. Mistakes by the installer or the user.

## Clearance

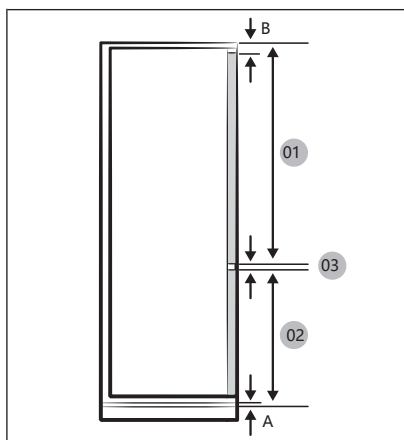
See the pictures and tables below for space requirements for installation.

Model		A (mm)	B (mm)	C (mm)	D (mm)	E (mm)	Remark
HBW7518C HBW7518DT	Min.	50	400	560	1778	560	Hinge : 17mm
	Recommend			580	1780	562	
	Max.			-	1782	568	



## NOTICE

- If the width of a cabinet is larger than 568mm, the gasket (between the refrigerator and the cabinet) can become loose.
- If the cabinet is higher than the maximum dimension (1782 mm), you must use other finishing materials to fill the gap.



(unit : mm)

Model	HBW7518C HBW7518DT
01	Min. 1028+B Max. 1106+B
02	Min. 662+A Max. 740+A
03	4 mm (fridge and freezer cabinet door panel gap)

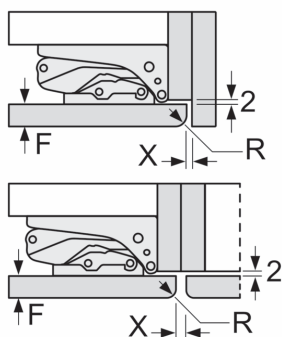


## NOTICE

To install a cabinet requiring a 4 mm gap (03), see the cabinet reference table below.

- A. Lower edge of the front panel above the air ventilation
- B. Front panel overhang

## Recommended gap dimensions for flat hinges (For Fixed or soft hinge type).

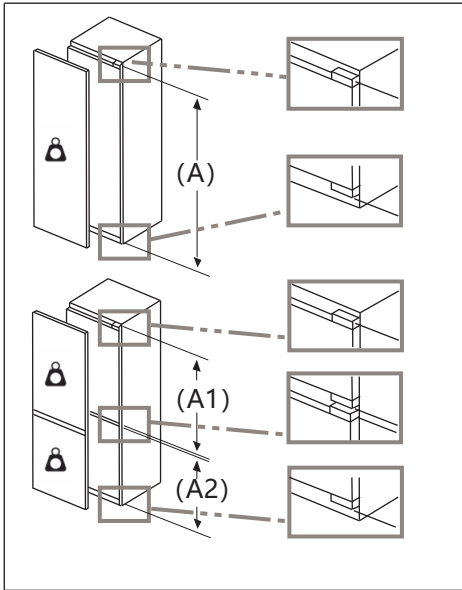


(unit : mm)


	F	R	X
16-19	0-3	2.5	
20	0-1	3	
	2-3	2.5	
21	0-1	3	
	2-3	2.5	
22	0	4	
	1	3.5	
	2-3	3	

The gap dimensions recommended in the table must be adhered to in order to ensure that appliance doors do not collide with anything when they are opened, and to avoid causing damage to kitchen units.

## Maximal permissible weight of the unit fronts

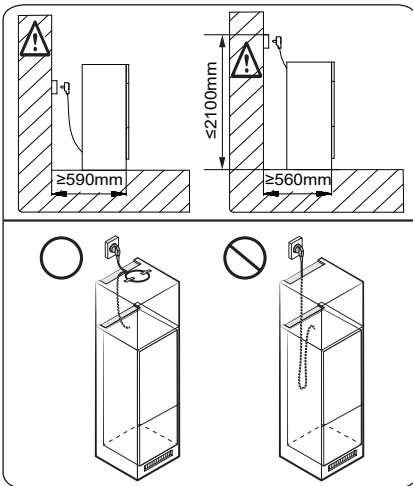


Fitted unit fronts that exceed the permissible weight may cause damage and result in functional impairment of the hinges.

 **Weight**  
(kg)

1500-1750 mm	22
720-1400 mm	19
A1	15
A2	15

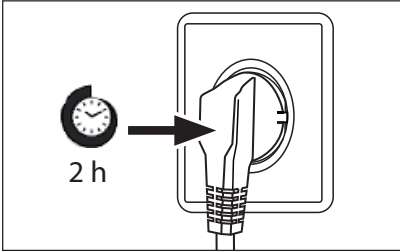
## Consideration for socket outlet location and required space



### NOTICE

If you install the refrigerator in a cabinet with a 560 mm depth, make sure the power cord is arranged on a side of the refrigerator before plugging into a power socket. If the power cord is in the rear of the refrigerator, it could decrease the energy efficiency.

## Waiting time



To the maintenance-free lubrication oil is located in the capsule of the compressor. This oil can get through the closed pipe system during slanting transport. Before connecting the appliance to the power supply you have to wait at least 2 hours so that the oil runs back into the capsule.

## Electrical connection

Before each connection check if:

- ~ power supply, socket and fusing are appropriate to the rating plate.
- ~ the power socket is earthed and no multi-plug or extension.
- ~ the power plug and socket are strictly according.

Connect the plug to a properly installed household socket.



## WARNING!

To avoid risks a damaged power cord must be replaced by the customer service (see warranty card).

Product fiche according to regulation EU No. 2019/2016

Brand	Haier	Haier
Model name/identifier	HBW7518C	HBW7518DT
Category of the model	Refrigerator freezer	Refrigerator freezer
Energy efficiency class	C	D
Annual energy consumption(kWh/year)(1)	146	180
Total volume(L)	268	268
Volume refrigerator(L)	182	182
Volume freezer(L)	86	86
Volume chiller section(L)	/	/
Volume auto ice maker(L)	/	/
Star rating	4	4
Temperature of other compartments>14 °C	Non applicable	Non applicable
Frost-free system	Yes	Yes
Freezing capacity(kg/24h)	8	8
Climate rating(2)	SN/N/ST/T	SN/N/ST/T
Noise emission class and airborne acoustical noise emissions(db(A)re1pW)	B 32	B 32
Temperature rise time(h)	12	11
Ice making capacity	/	/
Type of appliance	Built-in	Built-in

Model name	Energy efficiency class
HBW7518C	C
HBW7518DT	D

Explanations:

- Yes, featured

- (1) Based on the results of the standards conformance test over 24 hours. The actual consumption depends on the use and the location of the appliance.
- (2) Climate rating SN: This appliance is intended for use in an ambient temperature of between +10°C and +32°C  
 Climate rating N: This appliance is intended for use in an ambient temperature of between +16°C and +32°C  
 Climate rating ST: This appliance is intended for use in an ambient temperature of between +16°C and +38°C  
 Climate rating T: This appliance is intended for use in an ambient temperature of between +16°C and +43°C

#### Additional technical data

Voltage / Frequency	220-240V ~/ 50Hz
Input current (A)	2
Main fuse (A)	16
Coolant	R600a
Dimensions (H/W/D in mm)	1772/540/550



We recommend our Haier Customer Service and the use of original spare parts. If you have a problem with your appliance, please first check section TROUBLE-SHOOTING.

If you cannot find a solution there, please contact

- ~ your local dealer or
- ~ our European Call Service-Center (see listed phone numbers below) or
- ~ the Service & Support area at [www.haier.com](http://www.haier.com) where you can activate the service claim and also find FAQs.

To contact our Service, ensure that you have the following data available. The information can be found on the rating plate.

Model \_\_\_\_\_

Serial No. \_\_\_\_\_

Also check the Warranty Card supplied with the product in case of warranty.

European Call Service-Center		
Country*	Phone number	Costs
Haier Italy (IT)	199 100 912	
Haier Spain (ES)	902 509 123	
Haier Germany (DE)	0180 5 39 39 99	<ul style="list-style-type: none"> <li>• 14 Ct/Min Landline</li> <li>• max 42 Ct/Min Mobile</li> </ul>
Haier Austria (AT)	0820 001 205	<ul style="list-style-type: none"> <li>• 14,53 Ct/Min Landline</li> <li>• max 20 Ct/Min all others</li> </ul>
Haier United Kingdom (UK)	0333 003 8122	
Haier France (FR)	0980 406 409	

\* For other countries please refer to [www.haier.com](http://www.haier.com)

Haier Europe Trading S.r.l

Branch UK

Westgate House, Westgate, Ealing

London, W5 1YY

\*Duration of the guarantee of the refrigerating appliance:

Minimum guarantee is: 2 years for EU Countries, 3 years for Turkey, 1 year for UK, 1 year for Russia, 3 years for Sweden, 2 years for Serbia, 5 years for Norway, 1 year for Morocco, 6 months for Algeria, Tunisia no legal warranty required.

\*The period of spare parts for the repair of the appliance:

Thermostats, temperature sensors, printed circuit boards and light sources are available for a minimum period of seven years after placing the last unit of the model on the market.

Door handles, door hinges, trays and baskets for a minimum period of seven years and door gaskets for a minimum period of 10 year, after placing the last unit of the model on the market.

\*For further information about the product, please consult <https://eprel.ec.europa.eu/> or scan the QR on the energy label supplied with the appliance.

The Haier logo is displayed in a bold, black, sans-serif font. The background of the page features a white background with four large, overlapping, rounded geometric shapes in shades of gray and dark gray, creating a modern, abstract design.

# Haier

专用号条码

0060536192  
2024 Version A

# Haier

## Uživatelská příručka

Chladnička-mraznička  
HBW7518C  
HBW7518DT

EN

CZ

DE

EL

ES

FR

HU

IT

NL

PL

PT

RO

CZ



**WARNING: Risk of fire/flammable material** **EN**  
The symbol indicates there is a risk of fire since flammable materials are used. Take care to avoid causing a fire by ingiting flammable material.

**VAROVÁNÍ: Nebezpečí Požáru/Hořlavého Materiálu** **CZ**

Symbol označuje riziko požáru, protože byly použity hořlavé materiály. Dbejte na to, aby nedošlo ke vzniku požáru zapálením hořlavého materiálu.

**WARNUNG: Brandgefahr/brennbares Material** **DE**

Das Symbol weist auf Brandgefahr hin, da brennbare Materialien verwendet werden. Verhindern Sie die Entstehung von Bränden, die durch entflammbare Materialien verursacht werden.

**ΠΡΟΣΟΧΗ: Κίνδυνος: φωτιάς/εύφλεκτο υλικό** **EL**

Το σύμβολο υποδεικνύει ότι υπάρχει κίνδυνος φωτιάς επειδή χρησιμοποιούνται εύφλεκτα υλικά. Προσέχετε να αποφεύγετε την πρόκληση φωτιάς από ανάφλεξη εύφλεκτου υλικού.

**ADVERTENCIA: Riesgo de incendio o material inflamable** **ES**

El símbolo indica que existe riesgo de incendio, dado que se utilizan materiales inflamables. Se debe procurar evitar incendios medí ante la combustión de materiales inflamables.

**ATTENTION: Risque d'incendie ou de mati ères inflammables** **FR**

Le symbole montre qu'il y'a le risque de maté riaux inflammables sont utilisés. Prendre soin d'éviter de provoquer un incendie en ingérant des matières inflammables.

**FIGYELEM: Tűz / gyúlékony anyag veszélye** **HU**

A szimbólum azt jelzi, hogy tűzveszély áll fenn, mivel gyúlékony anyagokat használnak. Ügyeljen arra, hogy ne tegyen rá tűzveszélyes gyúlékony anyagot.

**ATTENZIONE: Rischio di incendio/materiale infiammabile** **IT**

Il simbolo indica il rischio di incendio nel caso di utilizzo di materiali infiammabili. Fare attenzione ed evitare l'insorgere di incendi a causa della caombustione di materiali infiammabili.

**WAARSCHUWING: Brandrisico / brandbaar materiaal** **NL**

Het systeem geeft aan dat er een brandrisico bestaat aangezien brandbaar materiaal wordt gebruikt. Zorg ervoor dat er geen brand wordt veroorzaakt door brandbaar materiaal te ont steken.

**OSTRZEŽENIE: Ryzyko pożaru/materiał łatwopalny** **PL**

Symbol wskazuje, że istnieje ryzyko pożaru, ponieważ używane są materiały łatwopalne. Dbaj o to, aby uniknąć pożaru poprzez zapale nie łatwopalnego materiału.

**AVISO: Risco de incêndio e material inflamável** **PT**

O símbolo indica que existe um risco de incêndio, uma vez que são utilizados materiais inflamáveis. Tenha cuidado para evitar provocar um incêndio acendendo material inflamável.

**AVERTISMENT: Risc de incendiu/material inflamabil** **RO**

Simbolul indică că există risc de incendiu deoarece sunt folosite materiale inflamabile. Aveți grijă și evitați incendiile aprinzând materiale inflamabile.

<u>5 Bezpečnostní informace</u>	•	<u>Před prvním použitím</u>	6
		<u>Instalace</u>	6
		<u>Denní používání</u>	7
		<u>Informace o plynném chladivu</u>	9
<u>10 Určené použití</u>	•		
<u>11 Popis výrobku</u>	•		
<u>12 Ovládací panel</u>	•		
<u>15 Používání</u>	•	<u>Zamknutí/odemknutí panelu</u>	15
		<u>Nastavení teploty v chladničce</u>	15
		<u>Nastavení teploty v mrazničce</u>	16
		<u>Funkce propojení</u>	16
		<u>Funkce ECO</u>	16
		<u>Funkce Holiday</u>	16
		<u>Funkce Super Cool</u>	17
		<u>Funkce Super Freeze</u>	17
		<u>Výběr funkce My Zone</u>	18
<u>20 Vybavení</u>	•		
<u>21 Tipy pro úsporu energie</u>	•		
<u>22 Čištění a údržba</u>	•		
<u>24 Řešení problémů</u>	•		
<u>28 Instalace</u>	•		
<u>35 Technické údaje</u>	•		
<u>37 Zákaznický servis</u>	•		

## Děkujeme vám, že jste si koupili výrobek značky Haier.

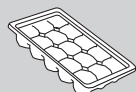
Před použitím spotřebiče si pozorně přečtěte tyto pokyny. Obsahují důležité informace, které vám pomohou co nejlépe využít spotřebič a zajistit jeho bezpečnou a správnou instalaci, používání a údržbu.

Uschovejte tuto příručku na praktickém místě, abyste do ní mohli kdykoli nahlédnout ohledně bezpečného a správného používání spotřebiče.

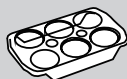
Pokud spotřebič prodáváte, věnujte nebo necháváte ve starém domě, předejte společně s ním také tuto příručku, aby se mohl nový vlastník seznámit se spotřebičem a přečíst si bezpečnostní varování.

## Příslušenství

Zkontrolujte příslušenství a literaturu podle tohoto seznamu:



Mrazicí forma  
na kostky ledu



zásobník  
na vejce



Energetická  
štítek



Záruční list



Uživatelský  
manuál



Šroub



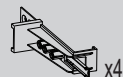
Kryt



Houbový blok



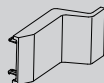
Drážka



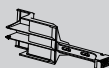
Posuvný  
mechanismus



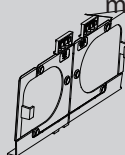
Pevná deska



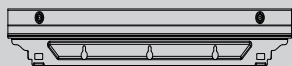
Kryt pantu



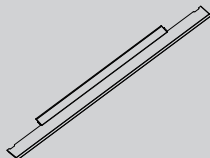
Pevná deska II



Spodní pevná deska



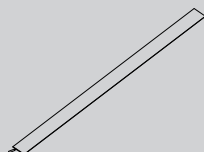
Horní pevná deska



Spodní kryt



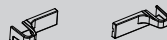
Spodní boční kryt



Těsnící páska



Těsnící houba



Spodní kryt pantu

**VAROVÁNÍ – Důležité bezpečnostní informace****UPOZORNĚNÍ – Všeobecné informace a tipy****Informace týkající se životního prostředí****Likvidace**

Pomáhejte chránit životní prostředí a lidské zdraví. Vložte obalový materiál do vhodných kontejnerů pro recyklaci. Pomáhejte recyklovat odpadní elektrické a elektronické spotřebiče. Spotřebiče označené tímto symbolem nevyhazujte do domovního odpadu. Zašlete výrobek do místního recyklačního závodu, nebo se obraťte na váš obecní úřad.

**VAROVÁNÍ!**

Nebezpečí poranění nebo udušení!

Chladiva a plyny vyžadují profesionální likvidaci. Zajistěte, aby se potrubí chladicího okruhu nepoškodilo, než bude náležitě zlikvidováno. Odpojte spotřebič od síťového napájení. Odstřihněte síťový kabel a zlikvidujte ho. Odstraňte police a přihrádky, stejně jako západku a těsnění dvířek, aby nedošlo k uzavření dětí a domácích zvířat uvnitř spotřebiče.



## Před prvním zapnutím spotřebiče si přečtěte následující rady týkající se bezpečnosti!



### VAROVÁNÍ!

#### Před prvním použitím

- ▶ Ujistěte se, že při přepravě nedošlo k žádnému poškození.
- ▶ Před instalací spotřebiče počkejte alespoň dvě hodiny, aby byla zaručena plná účinnost okruhu chladiva.
- ▶ Se spotřebičem vždy manipulujte alespoň ve dvou osobách, protože je těžký.
- ▶ Odstraňte veškerý obalový materiál, uschovejte ho mimo dosah dětí a zlikvidujte ho způsobem šetrným k životnímu prostředí.
- ▶ Než do spotřebiče vložíte jakékoli potraviny, vyčistěte jeho vnitřní i vnější povrchy vodou a slabým saponátem.
- ▶ Po vyrovnání a vyčištění počkejte alespoň 2–5 hodin, než spotřebič připojíte k napájení. Viz část **INSTALACE**.
- ▶ Než naplníte prostory potravinami, nejprve je nechte ochladit na vysoké nastavení. Funkce Power-Freeze pomůže rychle ochladit prostory.
- ▶ Teploty chladničky a mrazničky jsou automaticky nastaveny na 5 °C a -18 °C. Jedná se o doporučené nastavení. V případě potřeby můžete tyto teploty změnit ručně. Viz **NASTAVENÍ TEPLITY**.

#### Instalace

- ▶ Spotřebič by se měl umístit do dobře větrané místnosti. Nad spotřebičem a kolem něj zajistěte volný prostor alespoň 10 cm.
- ▶ Nikdy neumísťujte spotřebič do vlhkého prostoru nebo na místo, kde by na něj mohla stříkat voda. Vodu a skvrny odstraňte a vysušte měkkou, čistou látkou.
- ▶ Neinstalujte spotřebič na přímé sluneční světlo nebo do blízkosti zdrojů tepla (např. sporáků nebo ohřívačů).
- ▶ Nainstalujte spotřebič na místo odpovídající jeho velikosti a používání a vyrovnejte ho.
- ▶ Zajistěte, aby nic nezakrývalo větrací otvory ve spotřebiči nebo v konstrukci pro vestavění.
- ▶ Ujistěte se, že parametry elektrického napájení se shodují s údaji na výrobním štítku. V opačném případě kontaktujte elektrikáře.
- ▶ Spotřebič pracuje s napájením 220–240 VAC/50 Hz. Nenormální kolísání napětí může způsobit, že spotřebič se nespustí, nebo se poškodí regulátor teploty či kompresor, případně se může za chodu ozývat neobvyklý hluk. V takovém případě by se měl nainstalovat automatický regulátor.
- ▶ Nepoužívejte rozbočovací adaptéry ani prodlužovací kabely.
- ▶ Neumisťujte za spotřebič přenosné rozbočovací zásuvky ani prodlužovací kabely.
- ▶ Ujistěte se, že napájecí kabel není zachycen chladničkou. Nešlapejte na napájecí kabel.



## VAROVÁNÍ!

- ▶ K napájení použijte samostatnou, snadno přístupnou uzemněnou zásuvku. Tento spotřebič musí být uzemněný.

Pouze pro Spojené království: Napájecí kabel spotřebiče je vybaven trojpólovou zástrčkou (s uzemněním), která se zapojuje do standardní trojpólové zásuvky (s uzemněním). Nikdy neodřezávejte ani nedemontujte třetí kolík (uzemnění). Zástrčka by měla být přístupná i po instalaci spotřebiče.

- ▶ Nepoškoďte okruh chladiva.

### Denní používání

- ▶ Tento spotřebič mohou používat děti starší osmi let a osoby s omezenými fyzickými, smyslovými nebo duševními schopnostmi nebo osoby nezkušené a neznalé za předpokladu, že mají zajištěný dohled nebo byly poučeny o bezpečném používání spotřebiče a chápou související rizika.
- ▶ Děti ve věku od 3 do 8 let mohou spotřebič plnit a vyprazdňovat, ale nesmějí jej čistit ani instalovat.
- ▶ Zabraňte dětem mladším 3 let v přístupu ke spotřebiči, pokud nejsou pod nepřetržitým dozorem.
- ▶ Děti si se spotřebičem nesmějí hrát.
- ▶ Jestliže v blízkosti spotřebiče uniká chladný plyn nebo jiný hořlavý plyn, vypněte ventil unikajícího plynu, otevřete dveře a okna a neodpojujte zástrčku napájecího kabelu chladničky nebo jakéhokoli jiného spotřebiče od zásuvky.
- ▶ Upozorňujeme, že spotřebič je nastaven na provoz při určitém rozsahu teplot mezi 10 a 43 °C. Spotřebič nemusí řádně fungovat, pokud je po dlouhou dobu vystaven teplotám nad nebo pod indikovaným rozsahem.
- ▶ Nepokládejte na horní stranu chladničky nestabilní předměty (těžké předměty, nádoby naplněné vodou), aby se předešlo zranění způsobenému pádem nebo elektrickým proudem v důsledku styku s vodou.
- ▶ Netahejte za police ve dvířkách. Dvířka by se mohla vychýlit, mohla by se vytáhnout police na láhve nebo by se spotřebič mohl převrhnout.
- ▶ Otvírejte a zavírejte dvířka pouze pomocí madel. Mezera mezi dvířky a mezi dvířky a skříní je velmi úzká. Nedávejte do těchto míst ruce, abyste si nepřiskřípli prsty. Dvířka chladničky otvírejte nebo zavírejte pouze v případě, že v dosahu jejich pohybu nestojí žádné děti.



## VAROVÁNÍ!

- ▶ Ve spotřebiči nebo v jeho blízkosti neskladujte ani nepoužívejte hořlavé, výbušné nebo korozivní látky.
- ▶ Ve spotřebiči neskladujte léky, bakterie ani chemické látky. Tento spotřebič je určen k použití v domácnosti. Nedoporučuje se skladovat materiály, které vyžadují přesně stanovené teploty.
- ▶ Do mrazničky nikdy neukládejte tekutiny v láhvích nebo plechovkách (kromě vysokoprocentních lihovin), a zejména nápoje sycené oxidem uhličitým, protože by během mrazení praskly.
- ▶ Pokud se v mrazničce zvýší teplota, zkontrolujte stav potravin.
- ▶ Nenastavujte zbytečně nízkou teplotu ve vnitřním prostoru chladničky. Při vysokém nastavení může teplota klesnout do záporných hodnot. Pozor: Láhve mohou prasknout
- ▶ Nedotýkejte se mražených potravin mokřýma rukama (noste rukavice). Zejména nejezte nanuky bezprostředně po vyjmutí z prostoru mrazničky. Hrozí nebezpečí přimrznutí nebo vzniku omrzlin. PRVNÍ POMOC: ihned umístěte zasažené místo pod tekoucí studenou vodu. Neodtrhujte!
- ▶ Za provozu se nedotýkejte vnitřního povrchu úložného prostoru mrazničky, zejména ne mokřýma rukama, protože by mohly přimrznout k povrchu.
- ▶ V případě výpadku napájení nebo před čištěním odpojte spotřebič od napájení. Před opětovným spuštěním spotřebiče počkejte alespoň 7 minut, protože časté spouštění by mohlo poškodit kompresor.
- ▶ Uvnitř prostoru pro skladování potravin ve spotřebiči nepoužívejte elektrická zařízení, pokud se nejedná o typ doporučený výrobcem. Údržba/čištění
- ▶ Jestliže jsou čištění a údržba prováděny dětmi, je nutné na ně dohlížet.
- ▶ Před zahájením jakékoli pravidelné údržby odpojte spotřebič od elektrického napájení. Před opětovným spuštěním spotřebiče počkejte alespoň 5 minut, protože časté spouštění by mohlo poškodit kompresor.



## VAROVÁNÍ!

- ▶ Při odpojování spotřebiče od napájení držte zástrčku, nikoli kabel.
- ▶ Nečistěte spotřebič tvrdými kartáči, drátěnými kartáči, práškovými čisticími prostředky, benzínem, amylacetátem, acetonem a podobnými organickými roztoky a kyselými nebo zásaditými roztoky. K čištění použijte speciální čisticí prostředek na chladničky, aby se zamezilo poškození.
- ▶ Neseškrabávejte námrazu a led ostrými předměty. Nepoužívejte spreje, elektrické ohřívače jako fén na vlasy, parní čističe ani jiné zdroje tepla, aby nedošlo k poškození plastových součástí.
- ▶ K rozmrazování nepoužívejte mechanické nástroje ani jiné prostředky. Používejte pouze prostředky doporučené výrobcem.
- ▶ Pokud se poškodí napájecí kabel, výměnu musí provést výrobce, jeho servisní zástupce nebo osoba s podobnou kvalifikací, aby se vyloučilo riziko.
- ▶ Nepokoušejte se opravovat, rozebírat nebo upravovat spotřebič vlastními silami. Je-li nutná oprava, obraťte se na náš zákaznický servis.
- ▶ Alespoň jednou za rok odstraňte prach ze zadní strany spotřebiče, aby se předešlo nebezpečí požáru a nezvyšovala se spotřeba energie.
- ▶ Během čištění na spotřebič nestříkejte ani jej neoplachujte.
- ▶ K čištění spotřebiče nepoužívejte vodní postřik ani proud vody.
- ▶ Nečistěte chladné skleněné police horkou vodou. Náhlá změna teploty by mohla způsobit, že sklo praskne.

## Informace o plyném chladivu



### VAROVÁNÍ!

Spotřebič obsahuje hořlavé chladivo ISOBUTAN (R600a). Ujistěte se, že během přepravy nebo instalace nedošlo k poškození okruhu chladiva. Unikající chladivo by mohlo způsobit zranění očí, nebo by se mohlo vznítit. Pokud dojde k poškození, nepřibližujte se s otevřeným plamenem, důkladně vyvětrejte místnost a nezapojte ani neodpojte napájecí kabely tohoto či jiných spotřebičů. Informujte zákaznický servis.

V případě zasažení očí chladivem důkladně vypláchněte oči pod tekoucí vodou a ihned zavolejte očnímu lékaři.

## Určené použití

Tento spotřebič je určen k chlazení a mrazení potravin. Je určen výhradně k používání v domácnostech a podobných oblastech, jako jsou kuchyňky pro personál v obchodech, kancelářích a na dalších pracovištích, chalupy a hotely/motely a další obytné objekty, kde je používají zákazníci, stejně jako ubytovací zařízení typu penzionu se snídaní a cateringové služby. Není určen k používání v komerčním nebo průmyslovém prostředí.

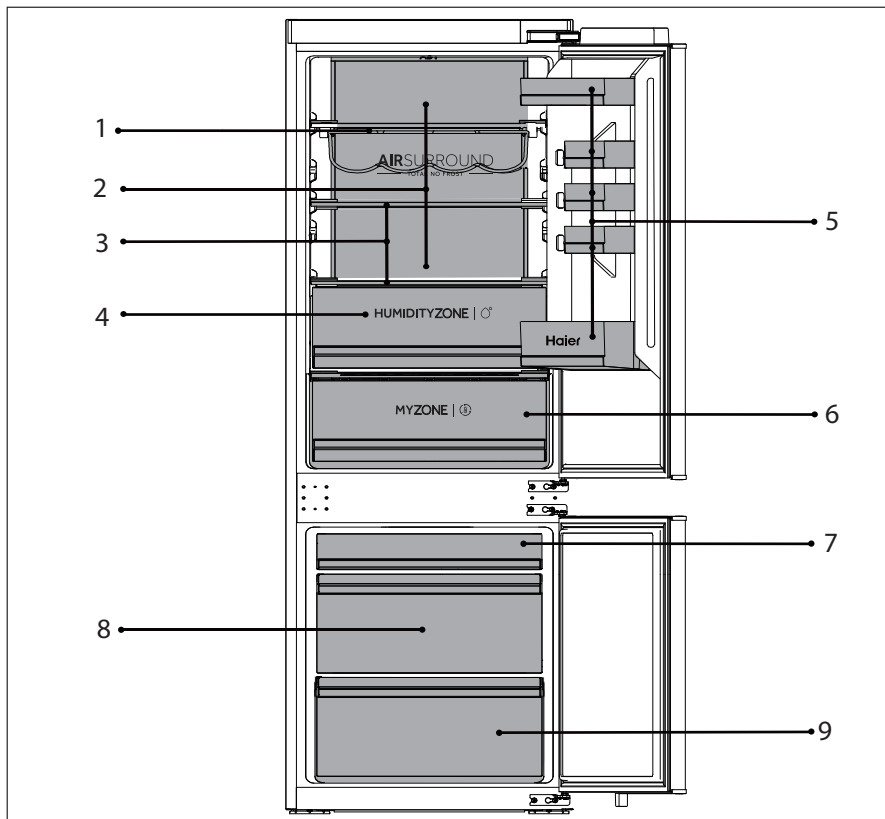
Na spotřebiči neprovádějte žádné změny nebo úpravy. Používání k jinému než určenému účelu může představovat nebezpečí a vést ke ztrátě platnosti záruky.

## Normy a směrnice

Tento výrobek splňuje požadavky všech platných směrnic ES s odpovídajícími harmonizovanými normami, které stanoví používání označení CE.

## **i** UPOZORNĚNÍ

Vzhledem k technickým změnám a různým modelům nemusí některé obrázky v této příručce přesně zobrazovat váš model.



### **HBW7518C/HBW7518DT**

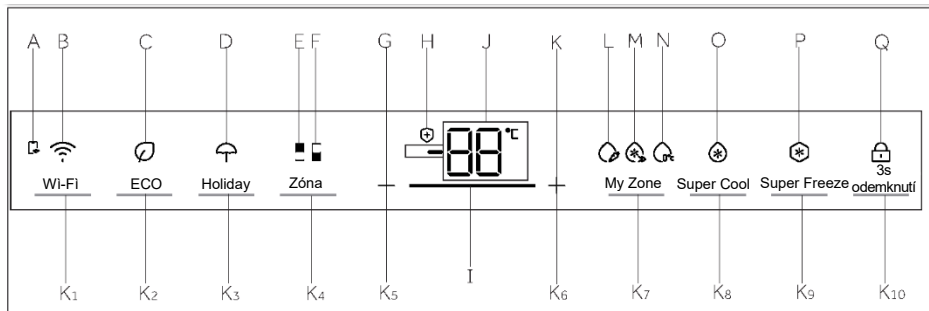
#### **A: Prostor chladničky**

- 1 Příhrádka na víno
- 2 Kanál chlazeného vzduchu
- 3 Běžné police
- 4 Zásuvka Humidity Zone
- 5 Držák lahví
- 6 Zásuvka MyZone

#### **B: Prostor mrazničky**

- 7 Horní zásuvka mrazničky
- 8 Prostřední zásuvka mrazničky
- 9 Spodní zásuvka mrazničky

## Ovládací panel



### Indikátory:

- A Spojení s mobilní aplikací
- B Funkce Wi-Fi
- C Funkce ECO
- D Funkce Holiday
- E Indikátor chladničky
- F Indikátor mrazničky
- G Nastavení teploty „-“
- H Baktericidní funkce
- I Displej intenzity
- J Zobrazení teploty
- K Nastavení teploty „+“
- L Funkce Fruit&Veg
- M Funkce QuickCool
- N Funkce 0°C Fresh
- O Funkce Super Cool
- P Funkce Super Freeze
- Q Zamknutí a odemknutí

### Tlačítka:

- K<sub>1</sub> Tlačítko nastavení Wi-Fi
- K<sub>2</sub> Tlačítko funkce ECO
- K<sub>3</sub> Tlačítko funkce Holiday
- K<sub>4</sub> Tlačítko výběru zóny
- K<sub>5</sub> Tlačítko nastavení teploty „-“
- K<sub>6</sub> Tlačítko nastavení teploty „+“
- K<sub>7</sub> Tlačítko výběru funkce My Zone
- K<sub>8</sub> Tlačítko výběru Super Cool
- K<sub>9</sub> Tlačítko výběru Super Freeze
- K<sub>10</sub> Tlačítko zamknutí a odemknutí

## Dotyková tlačítka

Na ovládacím panelu jsou dotyková tlačítka, která reagují již na lehký dotyk prstem.

## Zapínání/vypínání spotřebiče

Spotřebič se spustí ihned po připojení k napájení.

Při prvním zapnutí chladničky se rozsvítí indikátor „J“ (ukazatel teploty). Teploty chladničky a mrazničky jsou automaticky nastaveny na 5 °C a -18 °C. Rozsvítí se indikátor „M“ (ukazatel QuickCool).

Zóny My Zone se automaticky nastaví na funkci QuickCool.

Pravděpodobně je aktivní zámek panelu.



## UPOZORNĚNÍ

Když se spotřebič zapne poté, co byl odpojen od napájení, může trvat až 12 hodin, než dosáhne správné teploty.

Před vypnutím vyprázdněte spotřebič. Chcete-li spotřebič vypnout, vytáhněte napájecí kabel ze síťové zásuvky.

### Zamknutí/odemknutí panelu

Automatický zámek: Pokud budou dvířka chladničky a mrazničky zavřena, a během 3 0 sekund nedojde k žádné manipulaci s klíčem, displej automaticky zhasne a zamkne se.

Ruční zamykání: Když je obrazovka displeje odemčená, stiskněte tlačítko „K<sub>10</sub>“ (3s odemknutí) a podržte ho 3 sekundy, ozve se jeden zvukový signál, rozsvítí se indikátor „Q“ (Zámek panelu) a displej se zamkne.

Odemčení: Když je obrazovka displeje zamčená, stiskněte tlačítko „K<sub>10</sub>“ (3s odemknutí) a podržte ho 3 sekundy, ozve se jeden zvukový signál, indikátor „Q“ (Zámek panelu) zhasne a displej se odemkne.

### Nastavení teploty

Vnitřní teploty jsou ovlivňovány následujícími faktory:

Okolní teplota, četnost otvírání dvířek, množství uložených potravin a instalace spotřebiče.

### Nastavení teploty v chladničce

Když je obrazovka displeje odemčená, stiskněte tlačítko „K<sub>4</sub>“ (Volič zóny). Ozve se jeden zvukový signál, rozsvítí se indikátor „E“ (Indikátor chladničky) a potom se spustí režim nastavení teploty chladničky.

Při každém stisknutí tlačítka „K<sub>5</sub>“ (Tlačítko nastavení teploty „-“) se ozve jeden zvukový signál a nastavená teplota chladničky se sníží o 1 stupeň. Teplota chladničky se bude zobrazovat v pořadí „9 °C -> 8 °C -> 7 °C -> 6 °C -> 5 °C -> 4 °C -> 3 °C -> 2 °C -> 1 °C“.

Při každém stisknutí tlačítka „K<sub>6</sub>“ (Tlačítko nastavení teploty „+“) se ozve jeden zvukový signál a nastavená teplota chladničky se zvýší o 1 stupeň. Teplota chladničky se bude zobrazovat v pořadí „1 °C -> 2 °C -> 3 °C -> 4 °C -> 5 °C -> 6 °C -> 7 °C -> 8 °C -> 9 °C“.



## UPOZORNĚNÍ

Pokud po nastavení teploty neproběhne do 5 sekund žádná akce, systém automaticky určí a uloží nastavenou teplotu.



## Nastavení teploty v mrazničce

Když je obrazovka displeje odemčená, stiskněte tlačítko „K<sub>4</sub>“ (Volič zóny). Ozve se jeden zvukový signál, rozsvítí se indikátor „F“ (Indikátor mrazničky) a potom se spustí režim nastavení teploty mrazničky.

Při každém stisknutí tlačítka „K<sub>5</sub>“ (Tlačítko nastavení teploty „-“) se ozve jeden zvukový signál a nastavená teplota mrazničky se sníží o 1 stupeň. Teplota mrazničky se bude zobrazovat v pořadí „-14 °C -> -15 °C -> -16 °C->-17 °C -> -18 °C -> -19 °C -> -20 °C -> -21 °C -> -22 °C -> -23 °C -> -24 °C“.

Při každém stisknutí tlačítka „K<sub>6</sub>“ (Tlačítko nastavení teploty „+“) se ozve jeden zvukový signál a nastavená teplota mrazničky se zvýší o 1 stupeň. Teplota mrazničky se bude zobrazovat v pořadí „-24 °C -> -23 °C -> -22 °C -> -21 °C -> -20 °C -> -19 °C -> -18 °C -> -17 °C -> -16 °C -> -15 °C -> -14 °C“.





## UPOZORNĚNÍ

Pokud po nastavení teploty neproběhne do 5 sekund žádná akce, systém automaticky určí a uloží nastavenou teplotu.

## Funkce Wi-Fi

1. Když je obrazovka displeje odemčená, stiskněte tlačítko „K<sub>1</sub>“ (Tlačítko funkce Wi-Fi ), ozve se jeden zvukový signál a indikátor „B“ (Funkce Wi-Fi) bude svítit, dokud nedojde k připojení. Po úspěšném připojení držte tlačítko dále stisknuté a potom se zapne funkce Wi-Fi.
2. Když je obrazovka displeje odemčená, stiskněte tlačítko „K<sub>1</sub>“ (Tlačítko funkce Wi-Fi ), ozve se jeden zvukový signál, indikátor „B“ (Funkce propojení) zhasne a potom se funkce Wi-Fi vypne.

## POSTUP PÁROVÁNÍ S APLIKACÍ

<p>Krok 1</p> <p>• Stáhněte si aplikaci hOn z obchodu s aplikacemi</p> <div style="display: flex; align-items: center;">  <div style="display: flex; gap: 10px;"> <div style="border: 1px solid black; padding: 5px; text-align: center;"> <p>GET IT ON</p>  <p>Google Play</p> </div> <div style="border: 1px solid black; padding: 5px; text-align: center;"> <p>Download on the</p>  <p>App Store</p> </div> <div style="border: 1px solid black; padding: 5px; text-align: center;"> <p>EXPLORE IT ON</p>  <p>HUAWEI AppGallery</p> </div> </div> </div>	
<p>Krok 2</p> <p>Vytvořte si účet v aplikaci hOn, nebo se přihlaste, pokud již máte účet</p> <div style="border: 1px solid black; padding: 10px; text-align: center;">  </div>	<p>Krok 3</p> <p>Riďte se pokyny pro párování v aplikaci hOn</p> <div style="border: 1px solid black; padding: 10px; text-align: center;">  </div>

## Funkce ECO

1. Když je obrazovka displeje odemčená, stiskněte tlačítko „K<sub>2</sub>“ (Tlačítko funkce ECO), ozve se jeden zvukový signál, rozsvítí se indikátor „C“ (Funkce ECO) a potom se zapne funkce ECO.
2. Když je obrazovka displeje odemčená, stiskněte tlačítko „K<sub>2</sub>“ (Tlačítko funkce ECO), ozve se jeden zvukový signál, indikátor „C“ (Funkce ECO) zhasne a potom se funkce ECO vypne.

## Funkce Holiday

1. Když je obrazovka displeje odemčená, stiskněte tlačítko „K<sub>3</sub>“ (Tlačítko funkce Holiday), ozve se jeden zvukový signál, rozsvítí se indikátor „D“ (Funkce Holiday) a potom se zapne funkce Holiday.
2. Když je obrazovka displeje odemčená, stiskněte tlačítko „K<sub>3</sub>“ (Tlačítko funkce Holiday), ozve se jeden zvukový signál, indikátor „D“ (Funkce Holiday) zhasne a potom se funkce Holiday vypne.

## UPOZORNĚNÍ

1. Funkce Holiday se používá hlavně pro krátkodobé cestování a jiné životní situace. Při použití funkce Holiday je nutné vyprázdnit prostor chladničky.
2. Při zapnutí funkce Holiday bude teplota v prostoru chladničky vyšší (kolem 17 °C); pamatujte na to, že je nutné vyndat potraviny z prostoru chladničky, aby se nezkažily.
3. Při zapnutí funkce Holiday zhasnou ikony nastavení „Fruit&Veg, QuickCool, 0°C Fresh“ v My Zone a teplotu My Zone nelze nastavovat. Po opuštění funkce Holiday se zobrazí předchozí nastavení prostoru chladničky a My Zone.

## Funkce Super Cool

1. Když je obrazovka displeje odemčená, stiskněte tlačítko „K<sub>8</sub>“ (Volič Super Cool), ozve se jeden zvukový signál, rozsvítí se indikátor „O“ (Funkce Super Cool) a potom se zapne funkce Super Cool.
2. Když svítí indikátor „O“ (Funkce Super Cool), stiskněte tlačítko „K<sub>8</sub>“ (Volič Super Cool), ozve se jeden zvukový signál, indikátor „O“ (Funkce Super Cool) zhasne a potom se funkce Super Cool vypne.
3. Když je funkce Super Cool zapnutá a teplota dosáhne nastavené hodnoty, chladnička tuto funkci automaticky vypne. Chcete-li ji ukončit ručně, můžete ji vypnout stisknutím tlačítka „K<sub>8</sub>“ (Volič Super Cool).



## UPOZORNĚNÍ

1. Ve stavu Super Cool nelze nastavovat teplotu chladničky. Pokud stisknete tlačítko „K<sub>5</sub>“ (Tlačítko nastavení teploty „-“) nebo tlačítko „K<sub>6</sub>“ (Tlačítko nastavení teploty „+“) pro nastavení teploty chladničky, indikátor „O“ (Indikátor Super Cool) začne blikat a ozve se zvukový signál, což signalizuje, že tento úkon nelze provést.
2. Ve stavu funkce Super Cool nelze současně zapnout funkci Auto-set z důvodu různých režimů řízení. Pokud zvolíte funkci, kterou nelze spustit souběžně s jinou funkcí, původní funkce se automaticky ukončí.
3. Tato funkce se automaticky vypne po 4 hodinách.

## Funkce Super Freeze

1. Když je obrazovka displeje odemčená, stiskněte tlačítko „K<sub>9</sub>“ (Volič Super Freeze), ozve se jeden zvukový signál, rozsvítí se indikátor „P“ (Funkce Super Freeze) a potom se zapne funkce Super Freeze.
2. Když svítí indikátor „P“ (Funkce Super Freeze), stiskněte tlačítko „K<sub>9</sub>“ (Volič Super Freeze), ozve se jeden zvukový signál, indikátor „P“ (Funkce Super Freeze) zhasne a potom se funkce Super Freeze vypne.

3. Když je funkce Super Freeze zapnutá a teplota dosáhne nastavené hodnoty, chladnička tuto funkci automaticky vypne. Chcete-li ji ukončit ručně, můžete ji vypnout stisknutím tlačítka „K<sub>9</sub>“ (Volič Super Freeze).



## **i** UPOZORNĚNÍ

1. Ve stavu Super Freeze nelze nastavovat teplotu chladničky. Pokud stisknete tlačítko „K<sub>5</sub>“ (Tlačítko nastavení teploty „-“) nebo tlačítko „K<sub>6</sub>“ (Tlačítko nastavení teploty „+“) pro nastavení teploty mrazničky, indikátor „P“ (Indikátor Super Freeze) začne blikat a ozve se zvukový signál, což signalizuje, že tento úkon nelze provést.
2. Funkce Super Freeze je navržena tak, aby zachovala nutriční hodnotu zmrazených potravin, a umožňuje zmrazit potraviny v co nejkratší době. Pokud je nutné najednou zmrazit velké množství potravin, funkce Super Freeze by se měla zapnout 24 h předem, aby měla mraznička poměrně nízkou teplotu pro vložení potravin. Rychlost zmrazování mrazničky se zvýší, potraviny lze rychle zmrazit, účinně se zachová jejich výživná hodnota a budou vhodně uskladněny.
3. Funkce Super Freeze se automaticky vypne po 50 hodinách. Potom bude spotřebič pracovat s dříve nastavenou teplotou.

## Výběr funkce My Zone

Když je obrazovka displeje odemčená, stiskněte tlačítko „K<sub>7</sub>“ (Tlačítko výběru funkce My Zone), ozve se jeden zvukový signál, rozsvítí se indikátor „L“ (Funkce Fruit&Veg) a potom se zapne funkce Fruit&Veg. Pokud je stisknuto jedno z tlačítek „K<sub>7</sub>“ pro výběr funkce My Zone, ozve se jeden zvukový signál, rozsvítí se indikátor „M“ (funkce Quick Cool) a potom se zapne funkce QuickCool. Funkce My Zone má možnosti „Fruit&Veg, QuickCool a 0°C Fresh“.

## **i** UPOZORNĚNÍ

1. Po prvním zapnutí chladničky svítí indikátor „L“ a My Zone se automaticky nastaví na funkci QuickCool. Musí svítit jeden ze tří indikátorů My Zone. Když znovu vyberete funkci My Zone, nelze vybrat dříve rozsvícený indikátor My Zone. Lze nakonfigurovat pouze jednu ze tří funkcí. Tyto tři funkce se vzájemně vylučují.
2. Nastavená hodnota teploty pro uložení v My Zone nemůže být vyšší než nastavená hodnota teploty chladničky.
3. Chcete-li snížit teplotu v prostoru chladničky, použijte funkci 0°C Fresh. Chcete-li ji zvýšit, použijte funkci Fruit&Veg.

## Zásuvka My Zone

Prostor chladničky je vybaven zásuvkou My Zone. Podle požadavků na ukládání potravin lze zvolit nejvhodnější teplotu, aby se dosáhlo optimální nutriční hodnoty potravin. K dispozici jsou následující režimy.

### Funkce Fruit&Veg

Tato funkce je vhodná k ukládání ovoce a zeleniny, například jablek, mrkve atd.

### Funkce QuickCool

Tato funkce je vhodná k ukládání nápojů, například koly, piva atd.



## UPOZORNĚNÍ: Fruit&Veg

V zásuvce My Zone by se nemělo uchovávat ovoce citlivé na chlad, například ananasy, avokádo, banány, grapefruity, zelenina jako brambory, lilky, fazole, okurky, cukety a rajčata a sýry.

### Funkce 0°C Fresh

Tato funkce nastaví teplotu v zásuvce My Zone na 0 °C. Je vhodná k ukládání čerstvých potravin, například masa nebo instantních výrobků. Většina potravin zůstane při teplotě 0 °C čerstvá, ale nezmrzne.



## UPOZORNĚNÍ: 0°C Fresh

1. Vzhledem k odlišnému obsahu vody v maso se maso s větším obsahem vlhkosti zmrazí při teplotách nižších než 0 °C. Takže „krájené“ maso by se mělo skladovat v zásuvce My Zone s teplotou min. 0 °C.
2. Když zvolíte funkci 0°C Fresh, nastavte teplotu chladicího prostoru na nízkou úroveň (pod 5 °C), abyste uchovávali potraviny v optimálním prostředí.

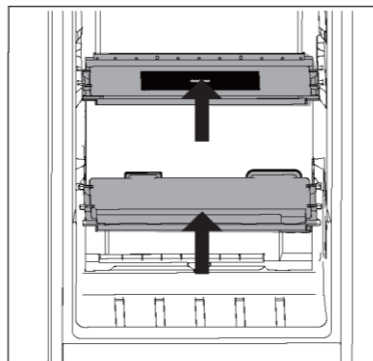
## Zásuvka Humidity Zone

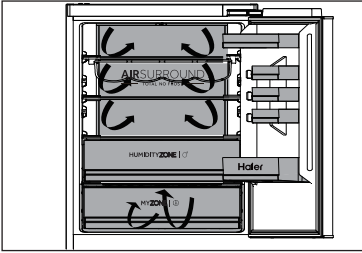
V tomto prostoru je hladina vlhkosti vyšší než v prostoru chladničky. Je regulována automaticky systémem a vhodná k ukládání ovoce, zeleniny, salátů atd.



## UPOZORNĚNÍ

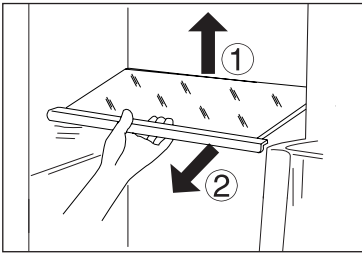
1. Plastový kryt uvnitř obou zón neodstraňujte.
2. Udržuje vlhkost.
3. V těchto dvou zásuvkách se nedoporučuje skladovat ovoce citlivé na chlad, jako jsou ananas, avokádo, banány a grapefruity.





### Vícecestný průtok vzduchu

1. Chladnička je vybavena systémem vícecestného průtoku vzduchu, který zajišťuje proudění chladného vzduchu v každé úrovni polic. Pomáhá to udržovat jednotnou teplotu, která zaručí, že potraviny vydrží déle v čerstvém stavu.



### Nastavitelné police

1. Výšku polic lze upravovat tak, aby vyhovovala vašim požadavkům na ukládání.
2. Chcete-li přemístit nějakou polici, vyjměte ji tak, že nejprve nadzdvihnete okraj ① a potom ji vytáhnete ven ②.
3. Při instalaci ji položte na výstupky na obou stranách a zatlačte ji až dozadu tak, aby se zadní strana police usadila uvnitř drážek v bočních stranách.

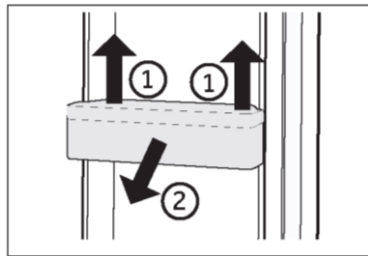


## UPOZORNĚNÍ

Ujistěte se, že všechny konce police jsou v rovině.

### Odnímatelné policičky / držák na láhve umístěné ve dvířkách

1. Police ve dvířkách lze vyjímat za účelem čištění:
2. Uchopte rukama obě strany police, zdvihněte ji nahoru ① a vytáhnete ji ven ②
3. Při vkládání dveřní police proveďte výše popsané kroky v opačném pořadí.



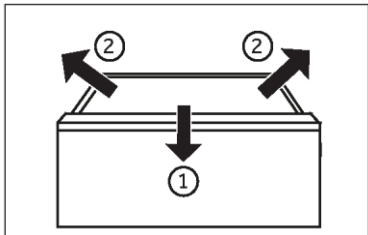
## UPOZORNĚNÍ

Když se spotřebič zapne, může trvat až 12 hodin, než dosáhne správné teploty.

### Vyjímatelná zásuvka

Chcete-li vyndat zásuvku, vytáhněte ji, jak nejdále to půjde ①, zdvihněte ji a vyjměte ②.

Při vkládání zásuvky proveďte výše popsané kroky v opačném pořadí.



### Světlo

Po otevření dvířek se rozsvítí světlo LED osvětlující interiér. Fungování světel není ovlivňováno žádným z nastavení spotřebiče.



## Tipy pro úsporu energie

- ▶ Zajistěte, aby měl spotřebič náležité větrání (viz INSTALACE).
- ▶ Neinstalujte spotřebič na přímé sluneční světlo nebo do blízkosti zdrojů tepla (např. sporáků nebo ohříváčů).
- ▶ Vyhýbejte se zbytečně nízké teplotě uvnitř spotřebiče. Čím nižší je nastavená teplota ve spotřebiči, tím vyšší je spotřeba energie.
- ▶ Funkce jako Super Freeze spotřebovávají více energie.
- ▶ Teplé jídlo nechte před vložením do spotřebiče vychladnout.
- ▶ Otvírejte dvířka spotřebiče co nejméně a na co nejkratší dobu.
- ▶ Nepřepřlňujte spotřebič, aby se nenarušilo proudění vzduchu.
- ▶ Zamezte přítomnosti vzduchu v obalech potravin.
- ▶ Udržujte těsnění dvířek v čistém stavu, aby se dvířka vždy správně zavírala.
- ▶ Rozmrazujte zmrazené potraviny v úložném prostoru chladničky.
- ▶ Energeticky nejušpornější konfigurace vyžaduje, aby byly ve spotřebiči nainstalovány přihrádky, schránka na potraviny a police ve stavu jako z výroby a aby potraviny byly uloženy co nejvíce vzadu, aniž by zakrývaly výstup vzduchového kanálu.



## VAROVÁNÍ!

Před čištěním odpojte spotřebič od napájení.

### Čištění

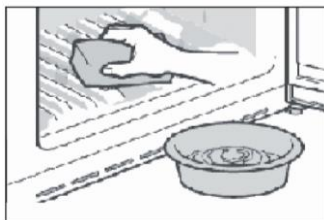
Spotřebič čistěte pouze tehdy, když je v něm uloženo jen málo potravin, nebo je prázdný.

Spotřebič by se měl čistit každé čtyři týdny, aby byl dobře udržovaný a zamezilo se zápachu z uložených potravin.



## VAROVÁNÍ!

- ▶ Nečistěte spotřebič tvrdými kartáči, drátěnými kartáči, práškovými čisticími prostředky, benzínem, amylacetátem, acetonem a podobnými organickými roztoky a kyselými nebo zásaditými roztoky. K čištění použijte speciální čisticí prostředek na chladničky, aby se zamezilo poškození.
- ▶ Během čištění na spotřebič nestříkejte ani jej neoplachujte.
- ▶ K čištění spotřebiče nepoužívejte vodní postřik ani proud vody.
- ▶ Nečistěte chladné skleněné police horkou vodou. Náhlá změna teploty by mohla způsobit, že sklo praskne.
- ▶ Nedotýkejte se vnitřního povrchu úložného prostoru mrazničky, zejména ne mokryma rukama, protože by mohly přimrznout k povrchu.
- ▶ V případě ohřátí zkontrolujte stav mražených potravin.



- ▶ Vždy udržujte těsnění dvířek v čistém stavu.
- ▶ Očistěte vnitřek a skříň spotřebiče houbou navlženou v teplé vodě s neutrálním čisticím prostředkem.
- ▶ 1. Vydrhněte vnitřní a vnější povrchy chladničky včetně těsnění dvířek, polic ve dvířkách, skleněných polic, přihrádek apod. měkkou utěrkou nebo houbou namočenou v teplé vodě (do teplé vody můžete přidat neutrální saponát).
- ▶ 2. Pokud se rozlije nějaká tekutina, vyjměte všechny zasažené součásti, opláchněte je přímo pod tekoucí vodou, osušte a vraťte zpět do chladničky.
- ▶ 3. Pokud se rozlije smetana (například šlehačka nebo roztátá zmrzlina), vyjměte všechny zasažené součásti, na nějakou dobu je vložte do teplé vody o teplotě asi 40 °C, potom je opláchněte pod tekoucí vodou, osušte a vraťte zpět do chladničky.
- ▶ 4. V případě, že uvnitř chladničky uvíznou nějaké malé díly nebo součásti (mezi policemi nebo zásuvkami), uvolněte je měkkým kartáčkem. Pokud na nějakou součást nedosáhnete, obraťte se na servis společnosti Haier.
- ▶ Opláchněte povrch a vysušte ho měkkou látkou.
- ▶ Nemyjte žádné součásti spotřebiče v myčce.
- ▶ Před opětovným spuštěním spotřebiče počkejte alespoň 5 minut, protože časté spouštění by mohlo poškodit kompresor.

### Odmrazování

Prostory chladničky a mrazničky se odmrazují automaticky; není nutný žádný ruční zásah.



## Výměna žárovek LED



### VAROVÁNÍ!

Nevyměňujte žárovku LED vlastními silami, její výměnu musí provést buď výrobce, nebo autorizovaný servisní zástupce.

Jako zdroj světla v žárovce se využívají diody LED, které se vyznačují nízkou spotřebou energie a dlouhou životností. Pokud se vyskytne nějaký neobvyklý stav, kontaktujte zákaznický servis. Viz ZÁKAZNICKÝ SERVIS.

Parametry žárovek:

Prostor chladničky: 12 V, max. 2 W

Prostor mrazničky: 12 V, max. 2 W

### Když se spotřebič delší dobu nepoužívá

Jestliže se spotřebič nebude delší dobu používat a nebudete využívat funkci chladničky Holiday:

Vyjměte potraviny.

Vytáhněte napájecí kabel ze zásuvky.

Vyčistěte spotřebič podle výše uvedeného popisu.

Nechte dvířka otevřená, aby se uvnitř nevytvořil zápach.



### UPOZORNĚNÍ

Spotřebič vypínejte pouze v nezbytně nutných případech.

### Přemístování spotřebiče

1. Vyjměte všechny potraviny a odpojte spotřebič od napájení.
2. Připevněte police a ostatní pohyblivé součásti v chladničce a mrazničce lepicí páskou.
3. Nenaklánějte chladničku v úhlu větším než 45°, aby se předešlo poškození chladicího systému.



### VAROVÁNÍ!

- ▶ Nezdvihejte spotřebič za madla.
- ▶ Nikdy nepokládejte spotřebič vodorovně na zem.

Mnoho problémů můžete vyřešit sami bez konkrétních odborných znalostí. V případě problému zkontrolujte všechny možnosti a řiďte se níže uvedenými pokyny, než se obrátíte na prodejní servis. Viz ZÁKAZNICKÝ SERVIS.



## VAROVÁNÍ!

- ▶ Před zahájením údržby vypněte spotřebič a vytáhněte zástrčku napájecího kabelu ze zásuvky.
- ▶ Servis elektrického zařízení by měli provádět pouze kvalifikovaní elektrikáři, protože nepatřičné opravy mohou vést k vážným následným škodám.
- ▶ Poškozený napájecí kabel by měl vyměnit pouze výrobce, jeho servisní zástupce nebo osoby s podobnou kvalifikací, aby se vyloučilo riziko.

Problém	Možná příčina	Možné řešení
Kompresor nepracuje.	<ul style="list-style-type: none"> <li>• Síťová zástrčka není zapojena do síťové zásuvky.</li> <li>• Spotřebič provádí cyklus odmrazování</li> </ul>	<ul style="list-style-type: none"> <li>• Zapojte síťovou zástrčku.</li> <li>• Jedná se o normální jev při automatickém odmrazování</li> </ul>
Spotřebič se spouští často nebo běží příliš dlouho.	<ul style="list-style-type: none"> <li>• Vnitřní nebo venkovní teplota je příliš vysoká.</li> <li>• Spotřebič byl určitou dobu vypnutý.</li> <li>• Dvířka spotřebiče nejsou těsně zavřená.</li> <li>• Dvířka se otvírala příliš často, nebo byla příliš dlouho otevřená.</li> <li>• Nastavená teplota pro prostor mrazničky je příliš nízká.</li> <li>• Těsnění dvířek je znečištěné, opotřebené, popraskané nebo nesprávně nainstalované.</li> <li>• Není zaručena požadovaná cirkulace vzduchu.</li> </ul>	<ul style="list-style-type: none"> <li>• V tomto případě je normální, že spotřebič běží déle.</li> <li>• Normálně trvá 8 až 12 hodin, než se spotřebič úplně ochladí.</li> <li>• Zavřete dvířka/zásuvku a ujistěte se, že spotřebič je umístěn na rovné zemi a dvířkům nepřekáží žádná potraviny nebo nádoby.</li> <li>• Neotvírejte dvířka/zásuvku příliš často.</li> <li>• Nastavte vyšší teplotu tak, abyste dosáhli uspokojivé teploty chladničky. Trvá 24 hodin, než se teplota chladničky ustálí.</li> <li>• Vyčistěte těsnění dvířek/zásuvky nebo ho nechte vyměnit zákaznickým servisem.</li> <li>• Zajistěte odpovídající větrání.</li> </ul>
Vnitřek chladničky je znečištěný a/nebo zapáchá.	<ul style="list-style-type: none"> <li>• Je třeba vyčistit vnitřek chladničky.</li> <li>• V chladničce je uloženo nějaké silně aromatické jídlo.</li> </ul>	<ul style="list-style-type: none"> <li>• Vyčistěte vnitřek chladničky.</li> <li>• Důkladně zabalte jídlo.</li> </ul>

Problém	Možná příčina	Možné řešení
Uvnitř spotřebiče není dostatečně chladno	<ul style="list-style-type: none"> <li>• Je nastavena příliš vysoká teplota.</li> <li>• Bylo uloženo příliš teplé jídlo.</li> <li>• Bylo uloženo příliš potravin najednou.</li> <li>• Potraviny jsou příliš blízko sebe.</li> <li>• Dvířka/zásuvka spotřebiče nejsou těsně zavřené.</li> <li>• Dvířka/zásuvka se otvírala příliš často, nebo byla příliš dlouho otevřená.</li> </ul>	<ul style="list-style-type: none"> <li>• Znovu nastavte teplotu.</li> <li>• Před uložením vždy nechte jídlo vychladnout.</li> <li>• Vždy ukládejte menší množství potravin.</li> <li>• Nechte mezi potravinami mezery umožňující proudění vzduchu.</li> <li>• Zavřete dvířka/zásuvku.</li> <li>• Neotvírejte dvířka/zásuvku příliš často.</li> </ul>
Uvnitř spotřebiče je příliš chladno.	<ul style="list-style-type: none"> <li>• Je nastavena příliš nízká teplota.</li> <li>• Je aktivována funkce Super Freeze/Super Cool, nebo běží příliš dlouho.</li> </ul>	<ul style="list-style-type: none"> <li>• Znovu nastavte teplotu.</li> <li>• Vypněte funkci Super Freeze/Super Cool</li> </ul>
Tvoření vlhkosti na vnitřním povrchu chladicího prostoru.	<ul style="list-style-type: none"> <li>• Prostředí je příliš teplé a vlhké.</li> <li>• Dvířka/zásuvka spotřebiče nejsou těsně zavřené.</li> <li>• Dvířka/zásuvka se otvírala příliš často, nebo byla příliš dlouho otevřená.</li> <li>• Nádobky na potraviny nebo tekutiny zůstaly otevřené.</li> </ul>	<ul style="list-style-type: none"> <li>• Zvyšte teplotu.</li> <li>• Zavřete dvířka/zásuvku.</li> <li>• Neotvírejte dvířka/zásuvku příliš často.</li> <li>• Nechte horké potraviny vychladnout na pokojovou teplotu a zakryjte potraviny a tekutiny.</li> </ul>
Na vnějším povrchu chladničky nebo mezi dvířky / dvířky a zásuvkou se hromadí vlhkost.	<ul style="list-style-type: none"> <li>• Prostředí je příliš teplé a vlhké.</li> <li>• Dvířka nejsou těsně zavřená. Chladný vzduch ve spotřebiči a teplý vnější vzduch, dochází ke kondenzaci.</li> </ul>	<ul style="list-style-type: none"> <li>• Jedná se o normální jev ve vlhkém prostředí; až se sníží vlhkost, situace se změní.</li> <li>• Ujistěte se, že dvířka/zásuvka jsou těsně zavřené.</li> </ul>
Podsвіcení displeje funguje, ale dělá necítí se v pohodě.	<ul style="list-style-type: none"> <li>• Je v demo režimu.</li> </ul>	<ul style="list-style-type: none"> <li>• Všimněte si, v jakém je stavu, pokud je v demo režimu, ukončete jej. Konec: Podržte tlačítko "ECO" a 5krát během 5s klikněte na tlačítko "Super Freeze".</li> </ul>

Problém	Možná příčina	Možné řešení
V prostoru mrazničky je silná vrstva ledu a námrazy.	<ul style="list-style-type: none"> <li>• Potraviny nebyly náležitě zabalené.</li> <li>• Dvířka/zásuvka spotřebiče nejsou těsně zavřené.</li> <li>• Dvířka/zásuvka se otvírala příliš často, nebo byla příliš dlouho otevřená.</li> <li>• Těsnění dvířek/zásuvky je znečištěné, opotřebené, popraskané nebo nesprávně nainstalované.</li> <li>• Něco uvnitř brání správnému zavření dvířek/zásuvky.</li> </ul>	<ul style="list-style-type: none"> <li>• Vždy dobře zabalte potraviny.</li> <li>• Zavřete dvířka/zásuvku.</li> <li>• Neotvírejte dvířka/zásuvku příliš často.</li> <li>• Vyčistěte těsnění dvířek/zásuvky, nebo ho vyměňte za nové.</li> <li>• Přemístěte vnitřní police, police na dvířkách nebo vnitřní nádoby, aby se mohla dvířka/zásuvka zavřít.</li> </ul>
Boční strany skříně a lišta na dvířkách jsou teplé.	<ul style="list-style-type: none"> <li>• -</li> </ul>	<ul style="list-style-type: none"> <li>• Jedná se o normální jev.</li> </ul>
Spotřebič vydává neobvyklé zvuky.	<ul style="list-style-type: none"> <li>• Spotřebič nestojí na rovné zemi.</li> <li>• Spotřebič se dotýká nějakého předmětu ve svém okolí.</li> </ul>	<ul style="list-style-type: none"> <li>• Seřídte nožky, aby stál spotřebič rovně.</li> <li>• Odstraňte předměty z okolí spotřebiče.</li> </ul>
Ozývá se slabý zvuk podobný proudění vody.	<ul style="list-style-type: none"> <li>• -</li> </ul>	<ul style="list-style-type: none"> <li>• Jedná se o normální jev.</li> </ul>
Ozývá se pípání alarmu.	<ul style="list-style-type: none"> <li>• Dvířka úložného prostoru chladničky jsou otevřená.</li> </ul>	<ul style="list-style-type: none"> <li>• Zavřete dvířka.</li> </ul>
Ozývá se slabé hučení.	<ul style="list-style-type: none"> <li>• Protikondenzační systém je v chodu</li> </ul>	<ul style="list-style-type: none"> <li>• Zabraňuje kondenzaci, jedná se o normální jev</li> </ul>
Nefunguje osvětlení interiéru nebo chladicí systém.	<ul style="list-style-type: none"> <li>• Síťová zástrčka není zapojena do síťové zásuvky.</li> <li>• Napájení nemá správné parametry.</li> <li>• Žárovka LED je porouchaná.</li> </ul>	<ul style="list-style-type: none"> <li>• Zapojte síťovou zástrčku.</li> <li>• Zkontrolujte přívod elektrického napájení do místnosti. Zavolejte místnímu dodavateli elektřiny!</li> <li>• Zavolejte servis se žádostí o výměnu žárovky.</li> </ul>

Chcete-li kontaktovat technickou pomoc, navštivte naše webové stránky:  
<https://corporate.haier-europe.com/en/>

V části „Website“ zvolte značku svého výrobku a svou zemi.

Budete přesměrováni na konkrétní webovou stránku, kde najdete telefonní číslo a kontaktní formulář technické pomoci.

### **Výpadek napájení**

V případě výpadku napájení by měly potraviny zůstat bezpečně v chladu po dobu asi 5 hodin. Během delšího výpadku napájení se řiďte těmito tipy, zejména v létě:

- ▶ Otvírejte dvířka/zásuvku co nejméně často.
- ▶ Během výpadku napájení nevkládejte do spotřebiče další potraviny.
- ▶ Pokud je výpadek napájení oznámen předem a jeho délka překračuje 5 hodin, vyrobte trochu ledu a umístěte ho do nádoby v horní části prostoru chladničky.
- ▶ Ihned po výpadku napájení je nutné zkontrolovat potraviny.
- ▶ Vzhledem k tomu, že během výpadku napájení nebo jiné závady vzroste teplota v chladničce, doba skladování a požitelnost potravin se zkrátí. Jakékoli potraviny, které se rozmrazí, by se měly buď zkonsumovat, nebo tepelně upravit a znovu zmrazit (je-li to vhodné), aby se předešlo zdravotním rizikům.

### **Funkce paměti během výpadku napájení**

Po obnovení napájení bude spotřebič pokračovat v činnosti s parametry které byly nastaveny před výpadkem.

## Vybalení

**VAROVÁNÍ!**

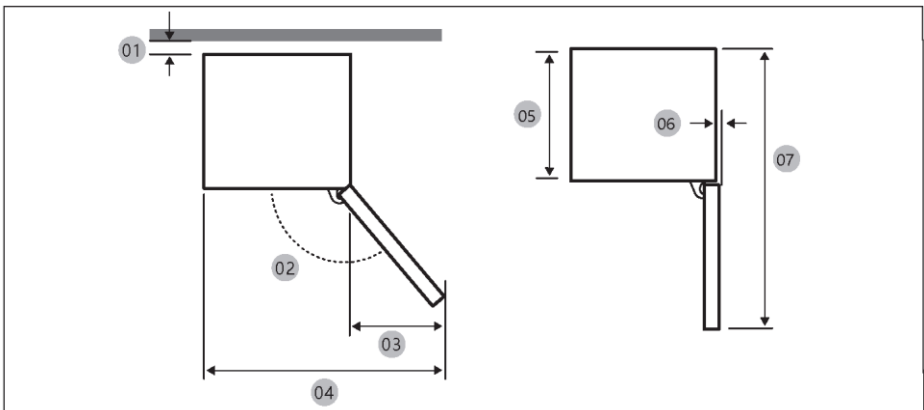
- ▶ Spotřebič je těžký. Vždy s ním manipulujte alespoň ve dvou osobách.
- ▶ Uchovávejte všechny obalové materiály mimo dosah dětí a zlikvidujte je způsobem šetrným k životnímu prostředí.
- ▶ Vyměňte spotřebič z obalu.
- ▶ Odstraňte všechny obalové materiály.

**Podmínky prostředí**

Pokojeová teplota by měla být vždy mezi 10 °C a 43 °C, protože může ovlivňovat teplotu uvnitř spotřebiče a jeho spotřebu energie. Bez náležité izolace neinstalujte spotřebič do blízkosti jiných spotřebičů vytvářejících teplo (trub, chladniček).

**Požadavky na prostor**

Potřebný prostor s otevřenými dvířky (bez dveřního panelu skříně)

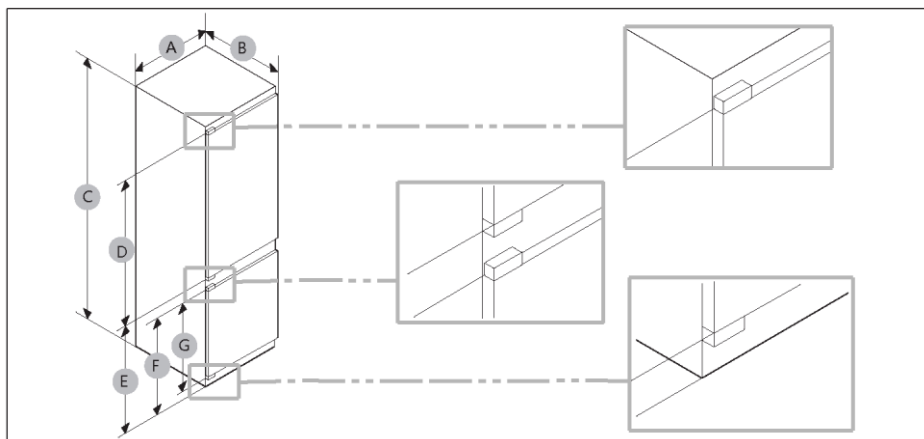


Model	HBW7518C HBW7518DT
01 *	10 (min.) / 30 (doporučeno)
02	95° (doporučeno)
03	43
04	583
05	515
06	-3
07	1060

(jednotky: mm)

\* 01: Od skříně k zadní straně výrobku.

## Rozměry výrobku



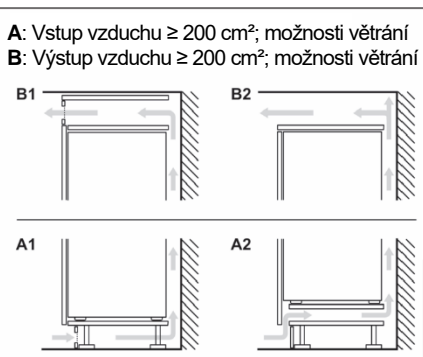
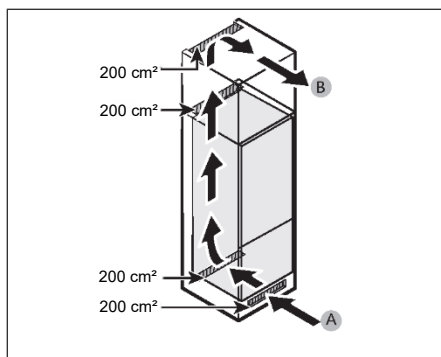
Model	A(mm)	B(mm)	C(mm)	D(mm)	E(mm)	F(mm)	G(mm)
HBW7518C HBW7518DT	540±2	550±2	1772±2	970	745	662	618

## **i** UPOZORNĚNÍ

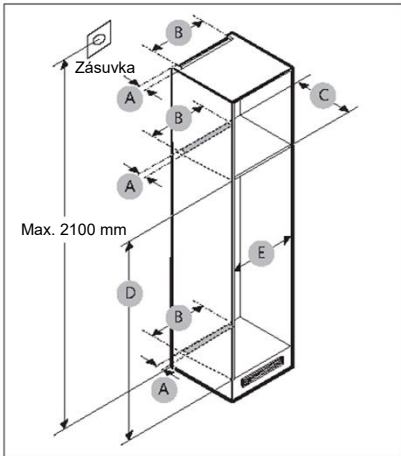
- Uvedená spotřeba energie vychází z podmínky 10mm mezery mezi skříni a zadní stranou výrobku. Výrobek bude správně fungovat, i když je mezera menší než 10 mm, avšak bude mít poněkud vyšší spotřebu energie.
- Doporučujeme použít skříň s tloušťkou 18 mm a závěsy s tloušťkou menší než 20 mm.
- Rozměry v tabulce výše se mohou lišit v závislosti na způsobu měření.
- V případě vestavné instalace viz Návod k instalaci.

### Prostor pro větrání

Z bezpečnostních důvodů je nutné dodržet informace o požadovaném prostoru pro větrání, aby byl spotřebič dostatečně větrán.



## Rozměry skříně



## POZOR!

Záruka se nevztahuje na žádné závady výrobku vzniklé z následujících důvodů:

1. Nesprávné podmínky na místě nebo nesprávné velikosti skříně.
2. Vadná skříně.
3. Chyby instalačního technika nebo uživatele.

## Volný prostor

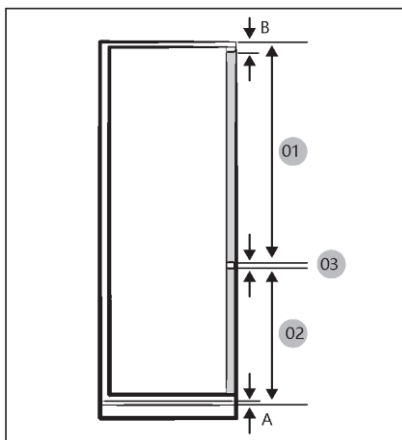
Požadavky na místo pro instalaci najdete na obrázcích a v tabulkách níže.

Model		A (mm)	B (mm)	C (mm)	D (mm)	E (mm)	Poznámka
HBW7518C HBW7518DT	Min.	50	400	560	1778	560	Závěs: 17 mm
	Doporučeno			580	1780	562	
	Max.			-	1782	568	



## **i** UPOZORNĚNÍ

- Pokud je šířka skříně větší než 568 mm, může se uvolnit těsnění (mezi chladničkou a skříní).
- Pokud je skříň vyšší než maximální rozměr (1782 mm), musíte k vyplnění mezery použít jiné dokončovací materiály.



## **i** UPOZORNĚNÍ

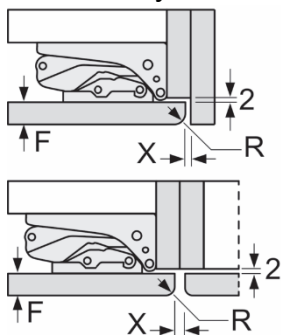
K instalaci skříně je nutná 4mm mezera (03), viz referenční tabulka níže.

- A. Dolní okraj předního panelu nad vzduchovým větráním  
B. Přesah předního panelu

(jednotky: mm)

Model	HBW7518C HBW7518DT
01	Min. 1028+B Max. 1106+B
02	Min. 662+A Max. 740+A
03	4 mm (mezera dveřního panelu skříně chladničky a mrazničky)

Doporučené rozměry mezery pro ploché závěsy (pro typ s pevným nebo měkkým závěsem).

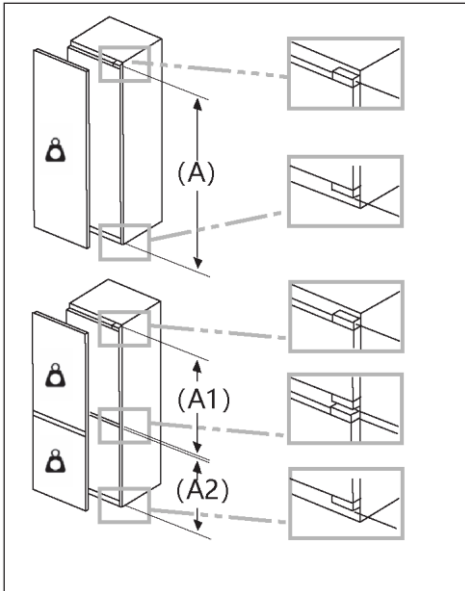


(jednotky: mm)


F	R	X
16-19	0-3	2,5
	0-1	3
20	2-3	2,5
	0-1	3
21	2-3	2,5
	0	4
22	1	3,5
	2-3	3

Je nutné dodržet doporučené rozměry mezery uvedené v tabulce, aby bylo jisté, že dvířka spotřebiče po otevření do ničeho nenarazí a nedojde k poškození kuchyňského nábytku.

## Maximální přípustná hmotnost předních částí jednotky

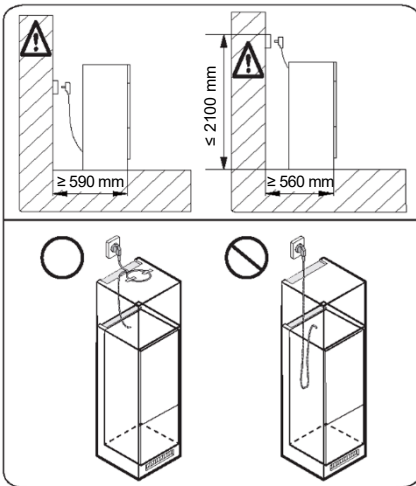


Namontované přední části jednotky, které překračují přípustnou hmotnost, by mohly způsobit poškození a vést k narušení funkčnosti závěsů.

 **Hmotnost**  
(kg)

1500-1750 mm	22
720-1400 mm	19
A1	15
A2	15

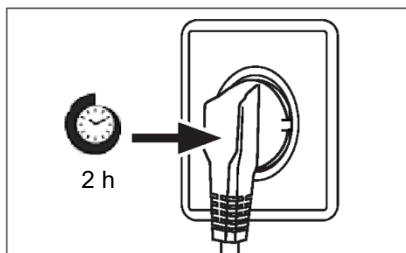
## Faktory týkající se umístění zásuvky a požadovaného prostoru



## UPOZORNĚNÍ

Jestliže instalujete chladničku do skříně o hloubce 560 mm, před zapojením napájecího kabelu do elektrické zásuvky se ujistěte, že je veden po straně chladničky. Kdyby byl napájecí kabel na zadní straně chladničky, mohlo by to snížit energetickou účinnost.

## Doba čekání



V kapsli kompresoru se nachází bezúdržbový mazací olej. V případě naklonění během přepravy se olej může dostat do uzavřeného potrubního systému. Před připojením spotřebiče k napájení musíte počkat 2 hodiny, aby všechen olej natekl zpět do kapsle.

## Připojení k elektrickému napájení

Před každým připojením zkontrolujte:

- ▶ zda napájení, zásuvka a jištění odpovídají údajům na výrobním štítku.
- ▶ zda je síťová zásuvka uzemněná a nepoužívá se rozbočovací adaptér ani prodlužovací kabel.
- ▶ zda zástrčka přesně pasuje do zásuvky.

Zapojte zástrčku do náležitě nainstalované domácí zásuvky.

**VAROVÁNÍ!**

Aby se zamezilo rizikům, výměnu poškozeného napájecího kabelu musí provést zákaznický servis (viz záruční list).

## Informační list výrobku podle nařízení EU č. 2019/2016

Značka	Haier	Haier
Název/označení modelu	HBW7518C	HBW7518DT
Kategorie modelu	Chladnička- mraznička	Chladnička- mraznička
Třída energetické účinnosti	C	D
Roční spotřeba energie (kWh/rok)(1)	146	180
Celkový objem (l)	268	268
Objem chladničky (l)	182	182
Objem mrazicího prostoru (l)	86	86
Objem mrazicího boxu (l)	/	/
Objem aut. výrobku ledu (l)	/	/
Hodnocení hvězdičkami	4	4
Teplota ostatních prostorů > 14 °C	Neuvádí se	Neuvádí se
Beznámrazový systém	Ano	Ano
Mrazicí výkon (kg/24 h)	8	8
Klimatická třída (2)	SN/N/ST/T	SN/N/ST/T
Třída emisí hluku a emise hluku šířeného vzduchem (db(A) re 1 pW)	B 32	B 32
Doba náběhu teploty (h)	12	12
Kapacita výroby ledu	/	/
Typ spotřebiče	vestavný	vestavný

Název modelu	Třída energetické účinnosti
HBW7518C	C
HBW7518DT	D

## Vysvětlení:

## • Ano, ve výbavě

- Na základě výsledků zkoušky shody s normami v průběhu 24 hodin. Skutečná spotřeba je závislá na způsobu používání a umístění spotřebiče.
- Klimatická třída SN: Tento spotřebič je určen k používání při teplotě okolí mezi +10 °C a +32°C

Klimatická třída N: Tento spotřebič je určen k používání při teplotě okolí mezi +16 °C a +32°C

Klimatická třída ST: Tento spotřebič je určen k používání při teplotě okolí mezi +16 °C a +38°C

Klimatická třída T: Tento spotřebič je určen k používání při teplotě okolí mezi +16 °C a +43°C

## Další technické údaje

Napětí/frekvence	220-240V ~/ 50Hz
Vstupní proud (A)	2
Hlavní pojistka (A)	16
Chladivo	R600a
Rozměry (V/Š/H v mm)	1772/540/550

Doporučujeme využívat zákaznický servis společnosti Haier a používat originální náhradní díly.

V případě problému se spotřebičem si nejprve přečtěte část ŘEŠENÍ PROBLÉMŮ.

Pokud v ní nenajdete řešení, kontaktujte

- ▶ místního prodejce nebo
- ▶ naše Evropské středisko telefonické podpory (viz telefonní čísla uvedená níže) nebo
- ▶ část Servis a podpora na stránkách [www.haier.com](http://www.haier.com), kde můžete aktivovat požadavek na servis
- ▶ a kde najdete také časté dotazy.

Chcete-li kontaktovat náš servis, ujistěte se, že máte k dispozici následující údaje. Tyto údaje lze najít na výrobním štítku.

Model \_\_\_\_\_

Výrobní číslo \_\_\_\_\_

V případě záruky se také podívejte do záručního listu dodaného s výrobkem.

Evropské středisko telefonické podpory		
Země*	Telefonní číslo	Ceny
Haier Italy (IT)	199 100 912	
Haier Spain (ES)	902 509 123	
Haier Germany (DE)	0180 5 39 39 99	<ul style="list-style-type: none"> <li>• 14 ct/min pevná linka</li> <li>• max. 42 ct/min mobil</li> </ul>
Haier Austria (AT)	0820 001 205	<ul style="list-style-type: none"> <li>• 14,53 ct/min pevná linka</li> <li>• max. 20 ct/min vše ostatní</li> </ul>
Haier United Kingdom (UK)	0333 003 8122	
Haier France (FR)	0980 406 409	

\* Údaje o ostatních zemích najdete na [www.haier.com](http://www.haier.com)

Haier Europe Trading S.r.l

Branch UK

Westgate House, Westgate, Ealing

London, W5 1YY

\*Doba záruky chladničky:

Minimální záruka: 2 roky pro země EU, 3 roky pro Turecko, 1 rok pro Spojené království, 1 rok pro Rusko, 3 roky pro Švédsko, 2 roky pro Srbsko, 5 let pro Norsko, 1 rok pro Maroko, 6 měsíců pro Alžírsko, Tunisko nevyžaduje žádnou zákonnou záruku.

\*Doba dostupnosti náhradních dílů pro opravu spotřebiče:

Termostaty, snímače teploty, desky s plošnými spoji a světelné zdroje budou k dispozici po dobu nejméně sedmi let od uvedení posledního modelu spotřebiče na trh.

Madla dvířek, závěsy dvířek, přihrádky a koše budou k dispozici po dobu nejméně sedmi let a těsnění dvířek po dobu nejméně deseti let od uvedení posledního modelu spotřebiče na trh.

\* Chcete-li další informace o výrobku, navštivte stránky <https://eprel.ec.europa.eu/> nebo naskenujte kód QR na energetickém štítku dodaném se spotřebičem.

The Haier logo is displayed in a bold, black, sans-serif font. The background of the page features abstract geometric shapes in shades of gray and white, including a large dark gray shape on the left and a large light gray shape on the right, both with rounded corners and pointed ends.

专用号条码

0060536192  
2024 Version A



# Haier

## Benutzerhandbuch

Kühl-Gefrierkombination  
HBW7518C  
HBW7518DT

EN

CZ

DE

EL

ES

FR

HU

IT

NL

PL

PT

RO

DE



**WARNING: Risk of fire/flammable material** **EN**  
The symbol indicates there is a risk of fire since flammable materials are used. Take care to avoid causing a fire by ingiting flammable material.

**VAROVÁNÍ: Nebezpečí Požáru/Hořlavého Materiálu** **CZ**

Symbol označuje riziko požáru, protože byly použity hořlavé materiály. Dbejte na to, aby nedošlo ke vzniku požáru zapálením hořlavého materiálu.

**WARNUNG: Brandgefahr/brennbares Material** **DE**

Das Symbol weist auf Brandgefahr hin, da brennbare Materialien verwendet werden. Verhindern Sie die Entstehung von Bränden, die durch entflammbare Materialien verursacht werden.

**ΠΡΟΣΟΧΗ: Κίνδυνος: φωτιάς/εύφλεκτο υλικό** **EL**

Το σύμβολο υποδεικνύει ότι υπάρχει κίνδυνος φωτιάς επειδή χρησιμοποιούνται εύφλεκτα υλικά. Προσέχετε να αποφεύγετε την πρόκληση φωτιάς από ανάφλεξη εύφλεκτου υλικού.

**ADVERTENCIA: Riesgo de incendio o material inflamable** **ES**

El símbolo indica que existe riesgo de incendio, dado que se utilizan materiales inflamables. Se debe procurar evitar incendios medí ante la combustión de materiales inflamables.

**ATTENTION: Risque d'incendie ou de mati ères inflammables** **FR**

Le symbole montre qu'il y'a le risque de maté riaux inflammables sont utilisés. Prendre soin d'éviter de provoquer un incendie en ingérant des matières inflammables.

**FIGYELEM: Tűz / gyúlékony anyag veszélye** **HU**

A szimbólum azt jelzi, hogy tűzveszély áll fenn, mivel gyúlékony anyagokat használnak. Ügyeljen arra, hogy ne tegyen rá tűzveszélyes gyúlékony anyagot.

**ATTENZIONE: Rischio di incendio/materiale infiammabile** **IT**

Il simbolo indica il rischio di incendio nel caso di utilizzo di materiali infiammabili. Fare attenzione ed evitare l'insorgere di incendi a causa della caombustione di materiali infiammabili.

**WAARSCHUWING: Brandrisico / brandbaar materiaal** **NL**

Het systeem geeft aan dat er een brandrisico bestaat aangezien brandbaar materiaal wordt gebruikt. Zorg ervoor dat er geen brand wordt veroorzaakt door brandbaar materiaal te ont steken.

**OSTRZEŽENIE: Ryzyko pożaru/materiał łatwopalny** **PL**

Symbol wskazuje, że istnieje ryzyko pożaru, ponieważ używane są materiały łatwopalne. Dbaj o to, aby uniknąć pożaru poprzez zapale nie łatwopalnego materiału.

**AVISO: Risco de incêndio e material inflamável** **PT**

O símbolo indica que existe um risco de incêndio, uma vez que são utilizados materiais inflamáveis. Tenha cuidado para evitar provocar um incêndio acendendo material inflamável.

**AVERTISMENT: Risc de incendiu/material inflamabil** **RO**

Simbolul indică că există risc de incendiu deoarece sunt folosite materiale inflamabile. Aveți grijă și evitați incendiile aprinzând materiale inflamabile.

<u>5 Sicherheitshinweise</u>	•	<u>Vor der ersten Inbetriebnahme</u>	6
		<u>Installation</u>	6
		<u>Täglicher Gebrauch</u>	7
<u>10 Verwendungszweck</u>	•	<u>Informationen zum Kältemittelgas</u>	9
<u>11 Produktbeschreibung</u>	•		
<u>12 Bedienfeld</u>	•		
<u>13 Nutzung</u>	•	<u>Bedienfeld sperren/entsperren</u>	13
		<u>Temperatur für Kühlschrank einstellen</u>	13
		<u>Einstellen der Temperatur für den Gefrierschrank</u>	13
		<u>Zusammenschaltungsfunktion</u>	14
		<u>ECO-Funktion</u>	15
		<u>Holiday-Funktion</u>	15
		<u>Super Cool-Funktion</u>	15
		<u>Super Freeze-Funktion</u>	16
		<u>My Zone-Funktion auswählen</u>	17
<u>19 Ausrüstung</u>	•		
<u>20 Energiespartipps</u>	•		
<u>21 Pflege und Reinigung</u>	•		
<u>23 Fehlersuche</u>	•		
<u>27 Installation</u>	•		
<u>33 Technische Daten</u>	•		
<u>35 Kundenbetreuung</u>	•		

## Vielen Dank für den Kauf eines Haier-Produkts.

Bitte lesen Sie diese Anleitung sorgfältig durch, bevor Sie dieses Gerät benutzen. Die Anleitung enthält wichtige Informationen, die Ihnen dabei helfen, das Gerät optimal zu nutzen und eine sichere und ordnungsgemäße Installation, Verwendung und Wartung zu gewährleisten.

Bewahren Sie diese Anleitung an einem geeigneten Ort auf, damit Sie jederzeit für die sichere und ordnungsgemäße Verwendung des Geräts darauf zurückgreifen können.

Wenn Sie das Gerät verkaufen, weggeben oder bei einem Umzug zurücklassen, vergewissern Sie sich, dass diese Anleitung auch beigelegt wird, damit sich der neue Besitzer mit dem Gerät und den Sicherheitshinweisen vertraut machen kann.

## Zubehör

Überprüfen Sie Zubehör und Dokumentation gemäß dieser Liste:



**WARNUNG – Wichtige Sicherheitsinformationen****HINWEIS – Allgemeine Informationen und Tipps****Umweltinformationen****Entsorgung**

Tragen Sie zum Schutz der Umwelt und der menschlichen Gesundheit bei. Die Verpackung zum Recyceln in die entsprechenden Behälter entsorgen. Unterstützen Sie das Recycling von Elektro- und Elektronik-Altgeräten. Entsorgen Sie Geräte, die mit diesem Symbol gekennzeichnet sind, nicht mit dem Hausmüll. Geben Sie das Produkt an Ihre lokale Recyclinganlage zurück oder wenden Sie sich an Ihre Stadtverwaltung.

**WARNUNG!**

Verletzungs- oder Erstickungsgefahr!

Kältemittel und Gase müssen fachgerecht entsorgt werden. Überprüfen Sie, dass der Schlauch des Kühlkreislaufs nicht beschädigt ist, bevor er ordnungsgemäß entsorgt wird. Trennen Sie das Gerät von der Stromversorgung. Trennen Sie das Netzkabel und entsorgen Sie es. Entfernen Sie die Fächer und Schubladen sowie die Türöffnung und die Dichtungen, um zu verhindern, dass Kinder und Haustiere im Gerät eingeschlossen werden.

## Lesen Sie vor dem ersten Einschalten des Geräts folgende Sicherheitshinweise:



### WARNUNG!

#### Vor der ersten Inbetriebnahme

- ▶ Vergewissern Sie sich, dass keine Transportschäden vorliegen.
- ▶ Warten Sie vor dem Einschalten des Geräts mindestens zwei Stunden, damit der Kühlkreislauf auch sicher und effektiv arbeitet.
- ▶ Das Gerät immer mit mindestens zwei Personen transportieren, da es schwer ist.
- ▶ Entfernen Sie sämtliches Verpackungsmaterial, bewahren Sie es außerhalb der Reichweite von Kindern auf und entsorgen Sie es umweltfreundlich.
- ▶ Reinigen Sie das Gerät innen und außen mit Wasser und einem milden Reinigungsmittel, bevor Sie Lebensmittel hineinlegen.
- ▶ Warten Sie nach dem Nivellieren und Reinigen mindestens 2-5 Stunden, bevor Sie das Gerät an die Stromversorgung anschließen. Siehe Abschnitt INSTALLATION.
- ▶ Kühlen Sie die Fächer auf hoher Stufe vor, bevor Sie die Lebensmittel einlegen. Die Power Freeze-Funktion sorgt für eine schnelle Abkühlung des Gefrierfachs.
- ▶ Die Kühlschranktemperatur und die Gefrierschranktemperatur werden automatisch auf 5°C bzw. -18°C eingestellt. Dies sind die empfohlenen Einstellungen. Falls gewünscht, können Sie diese Temperatur manuell ändern. Siehe EINSTELLEN DER TEMPERATUR.

#### Installation

- ▶ Das Gerät sollte an einem gut belüfteten Ort aufgestellt werden. Idealerweise müssen mindestens 10 cm rund um das Gerät frei bleiben.
- ▶ Stellen Sie das Gerät niemals in einem feuchten Bereich oder an einem Ort auf, wo es mit Wasser nassgespritzt werden könnte. Reinigen Sie Wasserspritzer und Flecken mit einem weichen, sauberen Tuch.
- ▶ Stellen Sie das Gerät nicht in direktem Sonnenlicht oder in der Nähe von Hitzequellen (z. B. Herden, Heizungen) auf.
- ▶ Installieren und richten Sie das Gerät in einem Bereich ein, der für seine Größe und Verwendung geeignet ist.
- ▶ Lüftungsschlitze am Gerät oder in der Einbaustruktur freihalten.
- ▶ Stellen Sie sicher, dass die elektrischen Informationen auf dem Typenschild der Stromversorgung entsprechen. Ist dies nicht der Fall, wenden Sie sich an einen Elektriker.
- ▶ Das Gerät wird über eine 220-240 V Wechselspannung/50 Hz betrieben. Abnormale Spannungsschwankungen könnten dazu führen, dass das Gerät nicht angeht, der Temperaturregler oder Kompressor beschädigt wird, oder dass während des Betriebs ein abnormales Geräusch auftritt. In einem solchen Fall ist ein automatischer Regler anzubringen.
- ▶ Verwenden Sie keine Mehrfachsteckadapter und Verlängerungskabel.
- ▶ Keine Mehrfachsteckdosen oder Verlängerungen hinter dem Gerät platzieren.
- ▶ Stellen Sie sicher, dass das Netzkabel nicht durch den Kühlschrank eingeklemmt wird. Nicht auf das Netzkabel treten.



## WARNUNG!

- ▶ Verwenden Sie eine separate, geerdete Steckdose für eine leicht zugängliche Stromversorgung. Das Gerät muss geerdet werden.  
Nur für Großbritannien: Das Gerätenetzkabel ist mit einem 3-adrigen Stecker (Erdungsstecker) ausgestattet, der in eine 3-adrige Norm-Buchse (geerdet) passt. Den dritten Stift (Erdung) auf keinen Fall kappen oder entfernen. Das Gerät muss so installiert werden, dass der Stecker erreichbar ist.
- ▶ Den Kühlkreislauf nicht beschädigen.

### Täglicher Gebrauch

- ▶ Dieses Gerät kann von Kindern ab 8 Jahren und Personen mit eingeschränkten körperlichen, sensorischen oder geistigen Fähigkeiten oder mangelnder Erfahrung und mangelndem Wissen benutzt werden, wenn diese in die sichere Bedienung des Geräts eingewiesen wurden oder beaufsichtigt werden und die damit verbundenen Gefahren verstanden haben.
- ▶ Kinder im Alter von 3 bis 8 Jahren dürfen Kühlschränke be- und entladen, aber nicht reinigen und installieren.
- ▶ Kinder unter 3 Jahren vom Gerät fernhalten, es sei denn, sie werden ständig beaufsichtigt.
- ▶ Kinder dürfen nicht mit dem Gerät spielen.
- ▶ Wenn Kühlgas oder ein anderes brennbares Gas in der Nähe des Geräts austritt, drehen Sie das Ventil des austretenden Gases ab. Öffnen Sie die Türen und Fenster, und ziehen Sie nicht den Netzstecker des Kühlschranks oder eines anderen Haushaltsgäräts.
- ▶ Beachten Sie, dass das Gerät für den Betrieb bei einer bestimmten Umgebungstemperatur zwischen 10 und 43 °C eingestellt ist. Das Gerät funktioniert möglicherweise nicht ordnungsgemäß, wenn es über einen längeren Zeitraum bei einer Temperatur oberhalb oder unterhalb des angegebenen Bereichs betrieben wird.
- ▶ Stellen Sie keine instabilen Gegenstände (schwere Gegenstände, mit Wasser gefüllte Behälter) auf den Kühlschrank, um Verletzungen durch Herunterfallen oder elektrische Schläge durch Kontakt mit Wasser zu vermeiden.
- ▶ Ziehen Sie nicht an den Türfächern. Die Tür kann schief verzogen werden, das Flaschenregal kann herausgezogen werden, oder das Gerät kann umkippen.
- ▶ Schließen und öffnen Sie die Tür nur mit den Griffen. Der Spalt zwischen den Türen sowie zwischen den Türen und dem Schrank ist sehr schmal. Stecken Sie nicht Ihre Hände in diese Bereiche, um zu vermeiden, dass Sie Ihre Finger eingeklemmt werden. Öffnen oder schließen Sie die Kühlschranktüren nur dann, wenn keine Kinder im Bewegungsbereich der Tür stehen.



## WARNUNG!

- ▶ Verwenden Sie keine brennbaren, explosionsfähigen oder korrosiven Substanzen im Gerät oder in der Nähe.
- ▶ Lagern Sie keine Arzneimittel, Bakterien oder Chemikalien im Gerät. Dieses Gerät ist ein Haushaltsgerät. Es wird davon abgeraten, Materialien zu lagern, die extreme Temperaturen erfordern.
- ▶ Lagern Sie niemals Flüssigkeiten in Flaschen oder Dosen (außer hochprozentige Spirituosen), insbesondere kohlensäurehaltige Getränke, im Gefrierschrank, da diese beim Einfrieren platzen können.
- ▶ Überprüfen Sie den Zustand der Lebensmittel, wenn die Temperatur im Gefrierschrank angestiegen ist.
- ▶ Stellen Sie keine unnötig niedrigen Temperaturen im Kühlschrank ein. Bei hohen Einstellungen kann es zu Minustemperaturen kommen. Achtung: Flaschen können platzen.
- ▶ Berühren Sie Gefriergut nicht mit nassen Händen (Handschuhe tragen). Verzehren Sie insbesondere Eis am Stiel nicht sofort nach der Entnahme aus dem Gefrierfach. Es besteht die Gefahr des Erfrierens oder der Bildung von Frostblasen an Mund und Zunge. ERSTE HILFE: Sofort unter fließend kaltes Wasser halten. Nicht mit Gewalt abziehen!
- ▶ Berühren Sie nicht die Innenfläche des Gefrierfachs, insbesondere nicht mit nassen Händen, da Ihre Hände an der Oberfläche festfrieren könnten.
- ▶ Ziehen Sie den Gerätestecker aus der Steckdose, falls die Stromversorgung unterbrochen wird oder bevor Sie das Gerät reinigen. Warten Sie vor dem Neustart mindestens 7 Minuten, da durch häufiges Einschalten der Kompressor beschädigt werden kann.
- ▶ Verwenden Sie im Inneren des Haushaltsgeräts keine elektrischen Geräte, es sei denn, sie werden vom Hersteller empfohlen. *Wartung / Reinigung*
- ▶ Kinder müssen beaufsichtigt werden, wenn sie das Gerät reinigen und warten.
- ▶ Trennen Sie das Gerät von der Stromversorgung, bevor Sie eine routinemäßige Wartung durchführen. Warten Sie vor dem Neustart mindestens 5 Minuten, da durch häufiges Einschalten der Kompressor beschädigt werden kann.





## WARNUNG!

- ▶ Fassen Sie beim Herausziehen des Gerätesteckers aus der Steckdose den Stecker und nicht das Kabel an.
- ▶ Reinigen Sie das Gerät nicht mit harten Bürsten, Drahtbürsten, Reinigungspulver, Benzin, Amylacetat, Aceton und ähnlichen organischen Lösungen, Säure oder Alkalilösungen. Reinigen Sie das Gerät mit einem speziellen Reinigungsmittel für Kühlgeräte, um Beschädigungen zu vermeiden.
- ▶ Kratzen Sie Frost und Eis nicht mit scharfkantigen Gegenständen ab. Verwenden Sie keine Sprays, elektrischen Heizgeräte, Haartrockner zum Abtauen oder Dampfreiniger im Gerät, um Beschädigungen der Kunststoffteile zu vermeiden.
- ▶ Verwenden Sie keine mechanischen oder sonstigen Hilfsmittel, um den Abtauvorgang zu beschleunigen, es sei denn, dies wird vom Hersteller so empfohlen.
- ▶ Wenn das Stromkabel beschädigt ist, muss es vom Hersteller, von seinem Service-Mitarbeiter oder einer gleichwertig qualifizierten Person ausgetauscht werden, um jegliches Risiko zu vermeiden.
- ▶ Versuchen Sie nicht, das Gerät selbst zu reparieren, zu zerlegen oder zu verändern. Bei Reparaturen wenden Sie sich bitte an unseren Kundenservice.
- ▶ Entfernen Sie den Staub auf der Geräterückseite mindestens einmal im Jahr, um Brandgefahr und einen erhöhten Energieverbrauch zu vermeiden.
- ▶ Das Gerät darf während der Reinigung nicht besprüht oder mit Wasser beschüttet werden.
- ▶ Das Gerät darf nicht mit Wasser besprüht oder mit Dampf gereinigt werden.
- ▶ Reinigen Sie die kalten Einlegeböden aus Glas nicht mit heißem Wasser. Plötzliche Temperaturschwankungen können dazu führen, dass das Glas zerspringt.

## Informationen zum Kältemittelgas



### WARNUNG!

Das Gerät enthält das entzündliche Kältemittel ISOBUTAN (R600a). Stellen Sie sicher, dass der Kühlkreislauf während des Transports oder der Installation nicht beschädigt wird. Auslaufendes Kältemittel kann Augenverletzungen verursachen oder sich entzünden. Falls Schäden aufgetreten sind, halten Sie sich von offenen Brandquellen fern, lüften Sie den Raum gründlich, stecken Sie die Netzkabel des Geräts oder eines anderen Geräts nicht ein oder aus. Informieren Sie den Kundendienst.

Falls die Augen mit dem Kältemittel in Kontakt kommen, sofort unter fließendem Wasser ausspülen und den Augenarzt verständigen.

## **Bestimmungsgemäße Verwendung**

Dieses Gerät ist zum Kühlen und Gefrieren von Lebensmitteln bestimmt. Es ist ausschließlich für den Einsatz in Haushalten und ähnlichen Bereichen konzipiert, wie z. B. in Personalküchen in Geschäften, Büros und anderen Arbeitsumgebungen, auf Bauernhöfen und in Hotels, Motels und anderen wohnähnlichen Umgebungen sowie im Bed-and-Breakfasts und fürs Catering. Das Gerät ist nicht für die kommerzielle oder industrielle Nutzung bestimmt.

Änderungen oder Anpassungen am Gerät sind nicht erlaubt. Eine unsachgemäße Verwendung kann zu Gefahren und zum Verlust von Garantieansprüchen führen.

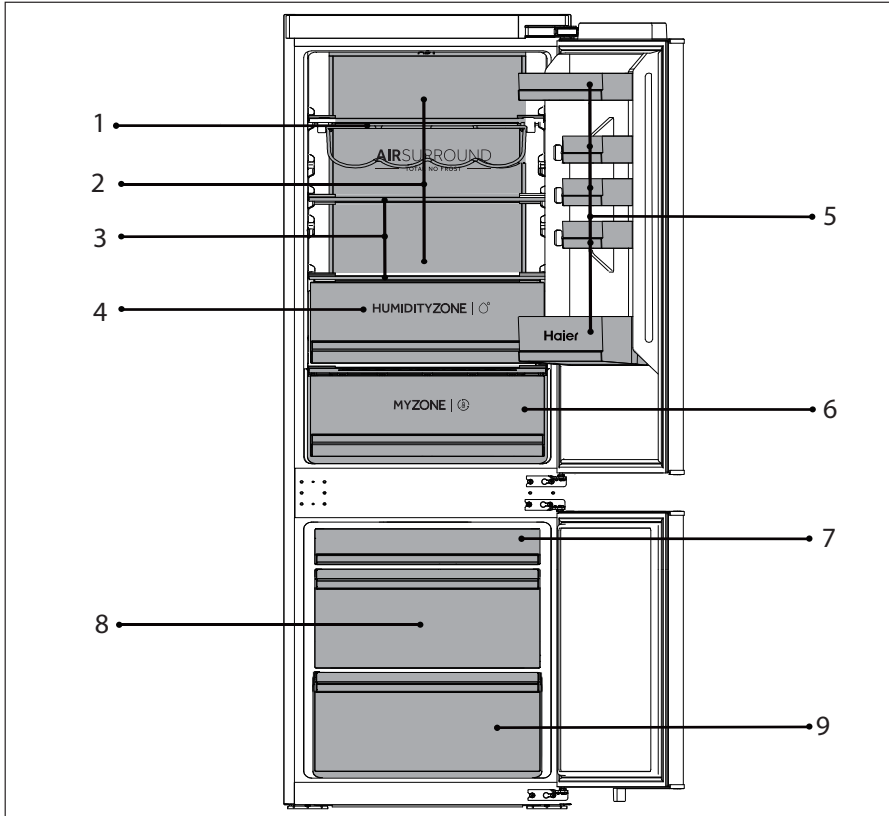
## **Normen und Richtlinien**

Dieses Produkt erfüllt die Anforderungen aller geltenden EG-Richtlinien mit den entsprechenden harmonisierten Normen, die eine CE-Kennzeichnung vorsehen.



## HINWEIS

Aufgrund von technischen Änderungen und unterschiedlichen Modellen können einige der Abbildungen in dieser Anleitung von Ihrem Modell abweichen.



## HBW7518C/HBW7518DT

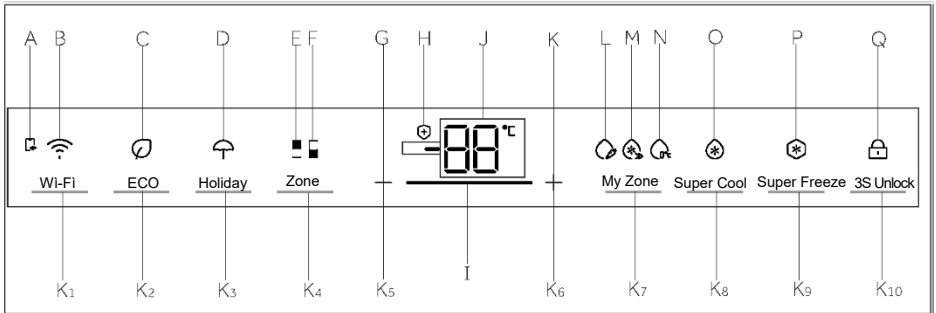
### A: Kühlkammer

- 1 Flaschenregal
- 2 Kanal für gekühlte Luft
- 3 Normale Einlegeböden
- 4 Humidity Zone-Schublade
- 5 Flaschenhalter
- 6 MyZone-Schublade

### B: Gefrierschrank

- 7 Obere Gefrierschublade
- 8 Mittlere Gefrierschublade
- 9 Untere Gefrierschublade

## Bedienfeld



### Anzeigen:

- A Mobile APP-Verbindung
- B WLAN-Funktion
- C ECO-Funktion
- D Holiday-Funktion
- E Kühlschranks-Anzeige
- F Gefrierschranks-Anzeige
- G Temperatureinstellung „-“
- H Bakterientötende Funktion
- I Grad-Anzeige
- J Temperaturanzeige
- K Temperatureinstellung „+“
- L Fruit&Veg-Funktion
- M QuickCool-Funktion
- N 0°C Fresh-Funktion
- O Super Cool-Funktion
- P Super Freeze-Funktion
- Q Sperren und Entsperrern

### Tasten:

- K<sub>1</sub> Taste für WLAN-Einstellungen
- K<sub>2</sub> Taste ECO-Funktion
- K<sub>3</sub> Taste Holiday-Funktion
- K<sub>4</sub> Taste zur Zonenauswahl
- K<sub>5</sub> Taste Temperatureinstellung „-“
- K<sub>6</sub> Taste Temperatureinstellung „+“
- K<sub>7</sub> Taste My Zone-Funktion auswählen
- K<sub>8</sub> Taste Super Cool auswählen
- K<sub>9</sub> Taste Super Freeze auswählen
- K<sub>10</sub> Taste zum Sperren und Entsperrern

## Sensortasten

Die Tasten auf dem Bedienfeld sind Sensortasten, die schon bei leichter Berührung mit dem Finger ansprechen.

## Gerät ein-/ausschalten

Das Gerät ist sofort in Betrieb, wenn es an die Stromversorgung angeschlossen wird.

Wenn der Kühlschrank zum ersten Mal eingeschaltet wird, leuchtet die Anzeige „J“ (Temperaturanzeige). Die Kühlschranktemperatur und die Gefrierschranks-Temperatur werden automatisch auf 5°C bzw. -18°C eingestellt. Die Anzeige „M“ (QuickCool-Anzeige) leuchtet.

My Zone wird automatisch auf die QuickCool-Funktion eingestellt.

Möglicherweise ist die Bedienfeldsperre aktiv.



## HINWEIS

Wenn das Gerät, nachdem es von der Hauptstromversorgung getrennt wurde, eingeschaltet wird, kann es bis zu 12 Stunden dauern, bis die richtigen Temperaturen erreicht sind.

Räumen Sie das Gerät vor dem Ausschalten aus. Schalten Sie das Gerät aus, indem Sie den Netzstecker aus der Steckdose ziehen.

### Bedienfeld sperren/entsperren

**Automatische Sperre:** Wenn die Kühlschrantür und die Gefrierschrantür geschlossen sind und innerhalb von 30 Sekunden keine Tastenbetätigung erfolgt, wird der Bildschirm automatisch gelöscht und gesperrt.

**Manuelle Sperre:** Wenn der Bildschirm entsperrt ist, drücken Sie die Taste „K<sub>10</sub>“ (3S Unlock) und halten Sie sie 3 Sekunden lang gedrückt; der Summer ertönt einmal, die Anzeige „Q“ (Bedienfeldsperre) leuchtet auf und das Display ist gesperrt.

**Entsperren:** Wenn der Bildschirm gesperrt ist, drücken Sie die Taste „K<sub>10</sub>“ (3S Unlock) und halten Sie sie 3 Sekunden lang gedrückt; der Summer ertönt einmal, die Anzeige „Q“ (Bedienfeldsperre) erlischt und der Bildschirm wird entsperrt.

### Temperatur einstellen

Die Temperaturen im Inneren werden durch folgende Faktoren beeinflusst:

Umgebungstemperatur, Häufigkeit der Türöffnung, Menge der gelagerten Lebensmittel, Installation des Geräts.

### Temperatur für Kühlschrank einstellen

Wenn der Bildschirm entsperrt ist, drücken Sie die Taste „K<sub>4</sub>“ (Zonenauswahl). Der Summer ertönt einmal, die Anzeige „E“ (Kühlschranksanzeige) leuchtet, und dann wird der Temperatureinstellungsmodus des Kühlschranks aktiviert.

Drücken Sie die Taste „K<sub>5</sub>“ (Temperatureinstellungstaste „-“); der Summer ertönt einmal, die eingestellte Temperatur des Kühlschranks wird um 1 reduziert. Die Temperatur des Kühlschranks wird in der Reihenfolge „9°C -> 8°C -> 7°C -> 6°C -> 5°C -> 4°C -> 3°C -> 2°C -> 1°C“ angezeigt.

Drücken Sie die Taste „K<sub>6</sub>“ (Temperatureinstellungstaste „+“); der Summer ertönt einmal, die eingestellte Temperatur des Kühlschranks wird um 1 erhöht. Die Temperatur des Kühlschranks wird in der Reihenfolge „1°C -> 2°C -> 3°C -> 4°C -> 5°C -> 6°C -> 7°C -> 8°C -> 9°C“ angezeigt.



## HINWEIS

Wenn nach dem Einstellen der Temperatur innerhalb von 5 Sekunden kein Betätigungsvorgang erfolgt, ermittelt und speichert das System automatisch die eingestellte Temperatur.

## Einstellen der Temperatur für den Gefrierschrank

Wenn der Bildschirm entsperrt ist, drücken Sie die Taste „K<sub>4</sub>“ (Zonenauswahl). Der Summer ertönt einmal, die Anzeige „F“ (Gefrierschrankanzeige) leuchtet, und dann wird der Temperatureinstellungsmodus des Gefrierschranks aktiviert.

Drücken Sie die Taste „K<sub>5</sub>“ (Temperatureinstellungstaste „-“); der Summer ertönt einmal, die eingestellte Temperatur des Gefrierschranks wird um 1 reduziert. Die Temperatur des Gefrierschranks wird in der Reihenfolge „-14°C -> -15°C -> -16°C -> -17°C -> -18°C -> -19°C -> -20°C -> -21°C -> -22°C -> -23°C -> -24°C“ angezeigt. Drücken Sie die Taste „K<sub>6</sub>“ (Temperatureinstellungstaste „+“); der Summer ertönt einmal, die eingestellte Temperatur des Gefrierschranks wird um 1 erhöht. Die Temperatur des Gefrierschranks wird in der Reihenfolge „-24°C -> -23°C -> -22°C -> -21°C -> -20°C -> -19°C -> -18°C -> -17°C -> -16°C -> -15°C -> -14°C“ angezeigt.









### HINWEIS

Wenn nach dem Einstellen der Temperatur innerhalb von 5 Sekunden kein Betätigungsvorgang erfolgt, ermittelt und speichert das System automatisch die eingestellte Temperatur.

## WLAN-Funktion

1. Wenn der Bildschirm entsperrt ist, drücken Sie die Taste „K<sub>1</sub>“ (WLAN-Funktionstaste), der Summer ertönt einmal, die Anzeige „B“ (WLAN-Funktion) leuchtet, bis die Verbindung hergestellt ist. Wenn die Verbindung erfolgreich hergestellt wurde, halten Sie die Taste lange gedrückt, damit die WLAN-Funktion aktiviert wird.
2. Wenn der Bildschirm entsperrt ist, drücken Sie die Taste „K<sub>1</sub>“ (WLAN-Funktionstaste), der Summer ertönt einmal, die Anzeige „B“ (Verbindungsfunktion) erlischt, und die WLAN-Funktion wird ausgeschaltet.

## KOPPELUNGSVORGANG IN DER APP

<p>Schritt 1 • Laden Sie die hOn-App aus den Stores herunter.</p>    	
<p>Schritt 2 Erstellen Sie Ihr Konto in der hOn-App oder melden Sie sich an, wenn Sie bereits ein Konto haben.</p> 	<p>Schritt 3 Folgen Sie den Kopplungsanweisungen in der hOn-App.</p> 

## ECO-Funktion

1. Wenn der Bildschirm entsperrt ist, drücken Sie die Taste „K<sub>2</sub>“ (ECO-Funktionstaste), der Summer ertönt einmal, die Anzeige „C“ (ECO-Funktion) leuchtet auf, und die ECO-Funktion wird eingeschaltet.
2. Wenn der Bildschirm entsperrt ist, drücken Sie die Taste „K<sub>2</sub>“ (ECO-Funktionstaste), der Summer ertönt einmal, die Anzeige „C“ (ECO-Funktion) erlischt, und die ECO-Funktion wird ausgeschaltet.

## Holiday-Funktion

1. Wenn der Bildschirm entsperrt ist, drücken Sie die Taste „K<sub>3</sub>“ (Taste Holiday-Funktion), der Summer ertönt einmal, die Anzeige „D“ (Holiday-Funktion) leuchtet auf, und die Holiday-Funktion wird eingeschaltet.
2. Wenn der Bildschirm entsperrt ist, drücken Sie die Taste „K<sub>3</sub>“ (Taste Holiday-Funktion), der Summer ertönt einmal, die Anzeige „D“ (Holiday-Funktion) erlischt, und die Holiday-Funktion wird ausgeschaltet.

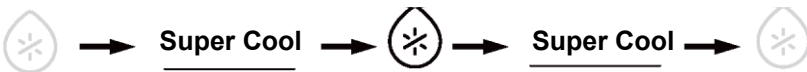


## HINWEIS

1. Die Holiday-Funktion wird hauptsächlich für kurzfristige Reisen und andere Lebenssituationen verwendet. Der Kühlraum muss bei Verwendung der Holiday-Funktion geleert werden.
2. In der Holiday-Funktion ist die Temperatur im Kühlraum höher (ca. 17°C). Bitte achten Sie darauf, die Lebensmittel aus dem Kühlraum zu entfernen, damit sie nicht verderben.
3. In der Holiday-Funktion wird die Einstellung der Symbole „Fruit&Veg, QuickCool, 0°C Fresh“ in Myzone ausgeschaltet und die Temperatur von Myzone kann nicht eingestellt werden. Nach Beendigung der Holiday-Funktion werden das Kühlfach und My Zone in der vorherigen Einstellung angezeigt.

## Super Cool-Funktion

1. Wenn der Bildschirm entsperrt ist, drücken Sie die Taste „K<sub>8</sub>“ (Super Cool-Auswahlschalter), der Summer ertönt einmal, die Anzeige „O“ (Super Cool-Funktion) leuchtet auf und die Super Cool-Funktion wird eingeschaltet.
2. Wenn die Anzeige „O“ (Super Cool-Funktion) aufleuchtet, drücken Sie die Taste „K<sub>8</sub>“ (Super Cool-Auswahlschalter), der Summer ertönt einmal, die Anzeige „O“ (Super Cool-Funktion) erlischt und die Super Cool-Funktion wird ausgeschaltet.
3. Nach dem Einschalten der Super Cool-Funktion schaltet der Kühlschrank die Funktion automatisch aus, wenn er die eingestellte Temperatur erreicht hat. Wenn Sie die Funktion manuell beenden möchten, können Sie die Taste „K<sub>8</sub>“ (Super Cool-Wahlschalter) drücken, um sie auszuschalten.



## HINWEIS

1. Im Super Cool-Status kann die Kühlschranktemperatur nicht eingestellt werden. Wenn entweder die Taste „K<sub>5</sub>“ (Temperatureinstellungstaste „-“) oder die Taste „K<sub>6</sub>“ (Temperatureinstellungstaste „+“) gedrückt wird, um die Temperatur des Kühlschranks einzustellen, blinkt die Anzeige „O“ (Super Cool-Anzeige) und es ertönt ein Signalton, der darauf hinweist, dass dieser Vorgang nicht durchgeführt werden kann.
2. Im Status der Super Cool-Funktion kann die Auto-Set-Funktion aufgrund der unterschiedlichen Steuerungsmodi nicht gleichzeitig eingeschaltet werden. Wenn Sie eine Funktion wählen, die mit einer anderen Funktion in Konflikt steht, wird die ursprüngliche Funktion automatisch beendet.
3. Diese Funktion wird nach 4 Stunden automatisch deaktiviert.

## Super Freeze-Funktion

1. Wenn der Bildschirm entsperrt ist, drücken Sie die Taste „K<sub>9</sub>“ (Super Freeze-Auswahl), der Summer ertönt einmal, die Anzeige „P“ (Super Freeze-Funktion) leuchtet auf, und die Super Freeze-Funktion wird eingeschaltet.
2. Wenn die Anzeige „P“ (Super Freeze-Funktion) aufleuchtet, drücken Sie die Taste „K<sub>9</sub>“ (Super Freeze-Auswahl), der Summer ertönt einmal, die Anzeige „P“ (Super Freeze-Funktion) erlischt, und die Super Freeze-Funktion wird ausgeschaltet.



- Nach dem Einschalten der Super Freeze-Funktion schaltet der Kühlschrank die Funktion automatisch aus, wenn er die eingestellte Temperatur erreicht hat. Wenn Sie die Funktion manuell beenden möchten, können Sie die Taste „K<sub>9</sub>“ (Super Freeze-Wahlschalter) drücken, um sie auszuschalten.



## **i** HINWEIS

- Im Super Freeze-Status kann die Gefriertemperatur nicht eingestellt werden. Wenn entweder die Taste „K<sub>5</sub>“ (Temperatureinstellungstaste „-“) oder die Taste „K<sub>6</sub>“ (Temperatureinstellungstaste „+“) gedrückt wird, um die Temperatur des Gefrierschranks einzustellen, blinkt die Anzeige „P“ (Super Freeze-Anzeige) und es ertönt ein Signalton, der darauf hinweist, dass dieser Vorgang nicht durchgeführt werden kann.
- Die Super Freeze-Funktion ist so konzipiert, dass der Nährwert der gefrorenen Lebensmittel erhalten bleibt und die Lebensmittel in kürzester Zeit eingefroren werden. Wenn große Mengen an Tiefkühlkost auf einmal eingefroren werden sollen. In der Zwischenzeit sollte die Super Freeze-Funktion 24 Stunden im Voraus eingestellt werden, damit der Gefrierschrank eine relativ niedrige Temperatur hat und die Lebensmittel eingelegt werden können. In diesem Fall wird die Gefriergeschwindigkeit des Gefrierschranks beschleunigt, die Lebensmittel können schnell eingefroren werden, der Nährwert von Lebensmitteln bleibt erhalten, und die Lagerung wird optimiert.
- Die Super Freeze-Funktion schaltet sich nach 50 Stunden automatisch ab. Das Gerät wird dann mit der zuvor eingestellten Temperatur betrieben.

## My Zone-Funktion auswählen

Wenn der Bildschirm entsperrt ist, drücken Sie die Taste "K<sub>7</sub>" (Taste My Zone-Funktion auswählen), der Summer ertönt einmal, die Anzeige „L“ (Fruit&Veg-Funktion) leuchtet auf und die Fruit&Veg-Funktion wird eingeschaltet. Wenn eine der beiden Tasten „K<sub>7</sub>“ gedrückt wird, um die My Zone-Funktion auszuwählen, ertönt der Summer erneut und die Anzeige „M“ (Quick Cool-Funktion) leuchtet auf, woraufhin die QuickCool-Funktion eingeschaltet wird. Die Optionen der My Zone-Funktion sind „Fruit&Veg“, „QuickCool“ und „0°C Fresh“.

## **i** HINWEIS

- Wenn der Kühlschrank zum ersten Mal eingeschaltet wird und die Anzeige „L“ leuchtet, wird My Zone automatisch auf die QuickCool-Funktion eingestellt. Eine der drei My Zone-Anzeigen muss leuchten. Wenn Sie die My Zone-Funktion erneut auswählen, kann die zuvor leuchtende My Zone-Anzeige nicht ausgewählt werden. Es kann nur eine der drei Funktionen konfiguriert werden. Die drei Funktionen schließen sich gegenseitig aus.
- Der Einstellwert für die Lagerungstemperatur in My Zone kann nicht höher sein als der Einstellwert für die Kühltemperatur.
- Um die Temperatur im Kühlfach zu senken, verwenden Sie die 0°C Fresh-Funktion. Um sie zu erhöhen, verwenden Sie die Fruit&Veg-Funktion.

## My Zone-Schublade

Der Kühlschrank ist mit einer My Zone-Schublade ausgestattet. Je nach den Anforderungen an die Lagerung von Lebensmitteln kann die am besten geeignete Temperatur gewählt werden, um den optimalen Nährwert der Lebensmittel zu erhalten. Die folgenden Modi sind verfügbar.

### Fruit&Veg-Funktion

Diese Funktion ist geeignet, um Obst und Gemüse wie Äpfel und Karotten usw. zu lagern.

### QuickCool-Funktion

Diese Funktion eignet sich zur Aufbewahrung von Getränken wie Cola und Bier usw.



### HINWEIS: Fruit&Veg

Kälteempfindliche Früchte wie Ananas, Avocados, Bananen, Grapefruits und Gemüse wie Kartoffeln, Auberginen, Bohnen, Gurken, Zucchini und Tomaten sowie Käse sollten nicht in der My Zone-Schublade gelagert werden.

### 0°C Fresh-Funktion

Mit dieser Funktion wird die Temperatur in der My Zone-Schublade auf 0°C gesetzt. Geeignet für die Lagerung von frischen Lebensmitteln wie Fleisch oder Instantprodukten. Die meisten Lebensmittel bleiben bei 0°C frisch, aber nicht gefroren.



### HINWEIS: 0°C Fresh

1. Aufgrund des unterschiedlichen Wassergehalts von Fleisch wird Fleisch mit mehr Feuchtigkeit bei Temperaturen unter 0 °C eingefroren. Daher sollte „frisch geschnittenes“ Fleisch in der My Zone-Schublade bei einer Temperatur von mindestens 0 °C gelagert werden.
2. Wenn Sie „0°C Fresh“ ausgewählt haben, stellen Sie die Temperatur des Kühlfachs auf die untere Stufe (unter 5°C) ein, um Ihre Lebensmittel in der optimalen Lagerungsumgebung aufzubewahren.

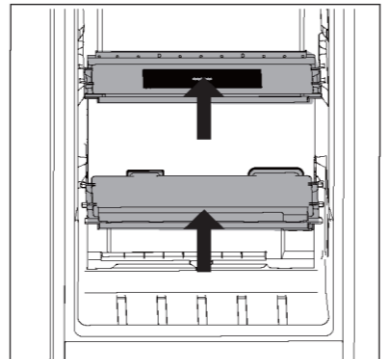
## Humidity Zone-Schublade

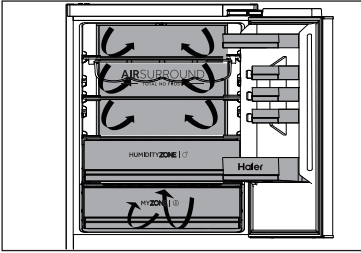
In diesem Fach ist der Feuchtigkeitsgehalt höher als im Kühlfach. Er wird automatisch durch das System gesteuert und eignet sich zur Lagerung von Obst, Gemüse, Salaten usw.



### HINWEIS

1. Entfernen Sie nicht die Kunststoffabdeckung in den beiden Zonen.
2. Sie halten die Feuchtigkeit aufrecht.
3. Kälteempfindliche Früchte wie Ananas, Avocado, Bananen und Grapefruits sollten nicht in diesen beiden Fächern gelagert werden.



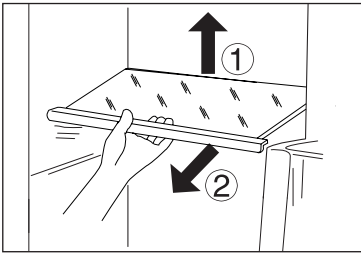


### Mehrfach-Luftstrom

1. Der Kühlschrank ist mit einem Mehrfach-Luftstrom-System ausgestattet, bei dem auf jeder Regalebene kühle Luftströme zirkulieren. Dadurch wird eine gleichmäßige Temperatur aufrechterhalten, um sicherzustellen, dass Ihre Lebensmittel länger frisch bleiben.

### Verstellbare Einlegeböden

1. Die Höhe der Einlegeböden kann an Ihren Lagerbedarf angepasst werden.
2. Um einen Einlegeboden zu versetzen, heben Sie ihn an der Hinterkante an ① und ziehen Sie ihn heraus ②.
3. Um ihn wieder einzubauen, setzen Sie ihn auf die Träger an beiden Seiten und schieben Sie ihn ganz nach hinten, bis die Rückseite des Einlegebodens in den Schlitzen an den Seiten steckt.

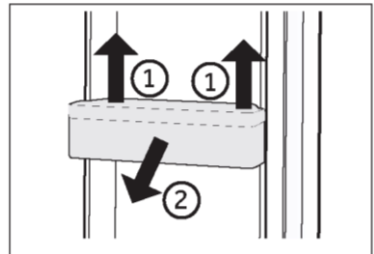


## **i** HINWEIS

Prüfen Sie, ob alle Seiten des Einlegebodens waagrecht sind.

### Abnehmbare Türfächer/Flaschenhalter

1. Die Türablagen können zur Reinigung herausgenommen werden:
2. Halten Sie dazu die Ablage mit beiden Händen fest, heben Sie sie nach oben ① und ziehen Sie sie heraus ②.
3. Um die Ablage wieder einzusetzen, werden die oben genannten Schritte in umgekehrter Reihenfolge durchgeführt.



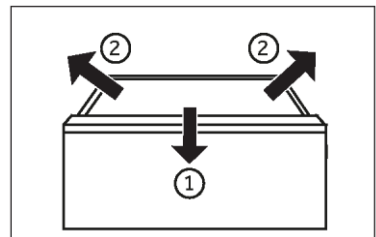
## **i** HINWEIS

Wenn das Gerät eingeschaltet wird, kann es bis zu 12 Stunden dauern, bis die richtigen Temperaturen erreicht sind.

### Herausnehmbare Schublade

Um die Schublade herauszunehmen, diese bis zum Anschlag herausziehen ①, anheben und herausnehmen ②.

Um die Schublade wieder einzusetzen, werden die oben genannten Schritte in umgekehrter Reihenfolge durchgeführt.



### Beleuchtung

Die LED-Innenbeleuchtung leuchtet, wenn die Tür geöffnet wird. Die Leistung der LEDs wird durch keine der anderen Geräteeinstellungen beeinflusst.



## **Energiespartipps**

- ▶ Stellen Sie sicher, dass das Gerät ordnungsgemäß belüftet ist (siehe INSTALLATION).
- ▶ Stellen Sie das Gerät nicht in direktem Sonnenlicht oder in der Nähe von Hitzequellen (z. B. Herden, Heizungen) auf.
- ▶ Vermeiden Sie unnötig niedrige Temperaturen im Gerät. Je niedriger die im Gerät eingestellte Temperatur ist, desto höher ist der Energieverbrauch.
- ▶ Funktionen wie die Super Freeze-Funktion verbrauchen mehr Energie.
- ▶ Lassen Sie warme Mahlzeiten erst abkühlen, bevor Sie diese in den Kühlschrank stellen.
- ▶ Öffnen Sie die Gerätetür so wenig und so kurz wie möglich.
- ▶ Achten Sie darauf, das Gerät nicht zu überladen, um den Luftstrom nicht zu behindern.
- ▶ Vermeiden Sie Luft innerhalb der Lebensmittelverpackung.
- ▶ Halten Sie die Türdichtungen sauber, damit die Tür immer richtig schließt.
- ▶ Tauen Sie gefrorene Lebensmittel im Vorratsfach des Kühlschranks auf.
- ▶ Die energiesparendste Konfiguration erfordert, dass das Gerät Schubladen, Lebensmittelboxen und Einlegeböden in fabriksauberem Zustand enthält, und die Lebensmittel sollten so weit wie möglich von den Auslässen des Luftkanals eingeräumt werden und diesen nicht blockieren.



## WARNUNG!

Trennen Sie das Gerät vor der Reinigung von der Stromversorgung.

### Reinigung

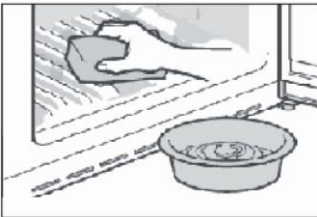
Reinigen Sie das Gerät, wenn nur wenig oder keine Lebensmittel gelagert werden.

Das Gerät sollte alle vier Wochen gereinigt werden, um eine gute Wartung zu gewährleisten und um schlechte Gerüche von gelagerten Lebensmitteln zu vermeiden.



## WARNUNG!

- ▶ Reinigen Sie das Gerät nicht mit harten Bürsten, Drahtbürsten, Reinigungspulver, Benzin, Amylacetat, Aceton und ähnlichen organischen Lösungen, Säure oder Alkalilösungen. Reinigen Sie das Gerät mit einem speziellen Reinigungsmittel für Kühlgeräte, um Beschädigungen zu vermeiden.
- ▶ Das Gerät darf während der Reinigung nicht besprüht oder mit Wasser beschüttet werden.
- ▶ Das Gerät darf nicht mit Wasser besprüht oder mit Dampf gereinigt werden.
- ▶ Reinigen Sie die kalten Einlegeböden aus Glas nicht mit heißem Wasser. Plötzliche Temperaturschwankungen können dazu führen, dass das Glas zerspringt.
- ▶ Berühren Sie nicht die Innenfläche des Gefrierschranks, insbesondere nicht mit nassen Händen, da Ihre Hände an der Oberfläche festfrieren könnten.
- ▶ Überprüfen Sie bei einem eventuellen Temperaturanstieg den Zustand des Gefrierguts.



- ▶ Halten Sie die Türdichtung immer sauber.
- ▶ Reinigen Sie das Innere und das Gehäuse des Geräts mit einem Schwamm, der mit warmem Wasser und einem neutralen Reinigungsmittel angefeuchtet wurde.
- ▶ 1. Säubern Sie den Kühlschrank innen und außen, einschließlich Türdichtungen, Türablage, Glasablagen, Schubladen usw., gründlich mit einem weichen Geschirrtuch oder einem Schwamm, der in warmes Wasser eingetaucht wurde (eventuell mit etwas neutralem Reinigungsmittel im Wasser).
- ▶ 2. Wenn Flüssigkeit verschüttet wurde, nehmen Sie alle verschmutzten Teile heraus, spülen Sie sie unter fließendem Wasser ab, trocknen Sie sie ab und setzen Sie sie wieder in den Kühlschrank ein.
- ▶ 3. Bei verschütteten Milchprodukten (z. B. Sahne, schmelzendes Eis) entfernen Sie die verunreinigten Teile, legen Sie sie für eine Weile in ca. 40 °C warmes Wasser, spülen Sie sie dann unter fließendem Wasser ab, trocknen Sie sie ab, und setzen Sie sie wieder in den Kühlschrank ein.
- ▶ 4. Falls ein kleines Teil oder Krümel im Inneren des Kühlschranks (zwischen die Ablagen oder Schubladen) festsitzen, lösen Sie die Verunreinigung mit einer weichen Zahnbürste. Wenn Sie das Teil nicht erreichen können, wenden Sie sich bitte an den Haier-Kundendienst.
- ▶ Wischen Sie den Kühlschrank mit einem feuchten Tuch gründlich aus und trocknen Sie ihn mit einem weichen Tuch ab.
- ▶ Reinigen Sie Geräteteile nicht in einer Geschirrspülmaschine.
- ▶ Warten Sie vor dem Neustart des Geräts mindestens 5 Minuten, da ein häufiger Neustart den Kompressor beschädigen kann.

### Abtauen

Das Abtauen des Kühl- und Gefrierschranks erfolgt automatisch, es ist keine manuelle Tätigkeit erforderlich.

## Austausch der LED-Leuchten



### WARNUNG!

Wechseln Sie die LED nicht selbst. Sie darf nur vom Hersteller oder von einem autorisierten Service-Mitarbeiter ausgetauscht werden.

Die Leuchte nutzt als Lichtquelle eine LED mit geringem Energieverbrauch und langer Lebensdauer. Bei Anomalien wenden Sie sich bitte an den Kundenservice. Siehe KUNDENSERVICE.

Parameter der Leuchte:

Kühlschrank: 12 V max 2 W

Gefrierschrank: 12 V max 2 W

### Nichtverwendung für einen längeren Zeitraum

Wenn das Gerät über einen längeren Zeitraum sowie Folgendes nicht benutzt wird und Sie nur die Holiday-Funktion für den Kühlschrank verwenden:

Nehmen Sie die Lebensmittel heraus.

Ziehen Sie das Netzkabel ab.

Reinigen Sie das Gerät wie oben beschrieben.

Lassen Sie die Türen auf, um die Bildung von schlechten Gerüchen zu verhindern.



### HINWEIS

Schalten Sie das Gerät nur aus, wenn es unbedingt nötig ist.

### Verstellen des Geräts

1. Nehmen Sie alle Lebensmittel heraus und ziehen Sie den Gerätestecker aus der Steckdose.
2. Fixieren Sie die Einlegeböden und andere bewegliche Teile im Kühlschrank und im Gefrierschrank mit Klebeband.
3. Den Kühlschrank um maximal 45° kippen, um eine Beschädigung des Kühlsystems zu vermeiden.



### WARNUNG!

- ▶ Heben Sie das Gerät nicht an seinen Griffen an.
- ▶ Stellen Sie das Gerät niemals waagrecht auf den Boden.

Viele auftretende Probleme können von Ihnen selbst ohne spezifische Fachkenntnisse gelöst werden. Bei Problemen prüfen Sie bitte alle angezeigten Möglichkeiten und befolgen Sie die nachstehenden Anweisungen, bevor Sie einen Kundendienst kontaktieren. Siehe KUNDENSERVICE.



**WARNUNG!**

- ▶ Schalten Sie das Gerät vor der Wartung aus und ziehen Sie den Netzstecker aus der Steckdose.
- ▶ Elektrische Geräte sollten nur von qualifizierten Fachelektrikern repariert werden, da unsachgemäße Reparaturen erhebliche Folgeschäden verursachen können.
- ▶ Eine beschädigte Lieferung sollte nur vom Hersteller, von seinem Service-Mitarbeiter oder einer gleichwertig qualifizierten Person ausgetauscht werden, um jegliches Risiko zu vermeiden.

Problem	Mögliche Ursache	Mögliche Behebung
Der Kompressor funktioniert nicht.	<ul style="list-style-type: none"> <li>• Der Netzstecker ist nicht an die Steckdose angeschlossen.</li> <li>• Das Gerät befindet sich im Abtauvorgang.</li> </ul>	<ul style="list-style-type: none"> <li>• Netzstecker anschließen.</li> <li>• Dies ist normal für eine automatische Abtaung.</li> </ul>
Das Gerät läuft häufig oder zu lange.	<ul style="list-style-type: none"> <li>• Die Innen- oder Außentemperatur ist zu hoch.</li> <li>• Das Gerät wurde über einen längeren Zeitraum ausgeschaltet.</li> <li>• Eine Gerätetür wurde nicht richtig geschlossen.</li> <li>• Die Tür wurde zu häufig oder zu lange geöffnet.</li> <li>• Die Temperatur für den Gefrierschrank ist zu niedrig.</li> <li>• Die Türdichtungen sind verschmutzt, verschlissen, gerissen oder verrutscht.</li> <li>• Die erforderliche Luftzirkulation ist nicht gewährleistet.</li> </ul>	<ul style="list-style-type: none"> <li>• In diesem Fall ist es normal, dass das Gerät länger läuft.</li> <li>• Normalerweise dauert es 8 bis 12 Stunden, bis das Gerät vollständig abgekühlt ist.</li> <li>• Die Tür/Schublade schließen und sicherstellen, dass das Gerät auf einem ebenem Untergrund steht und dass keine Lebensmittel oder Behälter gegen die Tür stoßen.</li> <li>• Die Tür/Schublade nicht zu häufig öffnen.</li> <li>• Die Temperatur höher einstellen, bis eine zufriedenstellende Kühlschranktemperatur erreicht ist. Es dauert 24 Stunden, bis sich die Kühlschranktemperatur stabilisiert hat.</li> <li>• Die Tür-/Schubladendichtungen reinigen oder vom Kundendienst ersetzen lassen.</li> <li>• Für eine ausreichende Belüftung sorgen.</li> </ul>
Das Innere des Kühlschranks ist schmutzig und/oder übelriechend.	<ul style="list-style-type: none"> <li>• Das Innere des Kühlschranks muss gereinigt werden.</li> <li>• Lebensmittel mit starkem Geruch werden im Kühlschrank gelagert.</li> </ul>	<ul style="list-style-type: none"> <li>• Das Innere des Kühlschranks reinigen.</li> <li>• Diese Lebensmittel sorgfältig verpacken.</li> </ul>

Problem	Mögliche Ursache	Mögliche Behebung
Das Innere des Geräts ist nicht kalt genug.	<ul style="list-style-type: none"> <li>Die Temperatur ist zu hoch eingestellt.</li> <li>Es wurden zu warme Lebensmittel eingelagert.</li> <li>Es wurden zu viele Lebensmittel auf einmal hineingelegt.</li> <li>Die Lebensmittel liegen zu dicht beieinander.</li> <li>Eine Tür/Schublade wurde nicht richtig geschlossen.</li> <li>Die Tür/Schublade wurde zu häufig oder zu lange geöffnet.</li> </ul>	<ul style="list-style-type: none"> <li>Die Temperatur zurücksetzen.</li> <li>Die Lebensmittel immer erst abkühlen lassen, bevor Sie sie hineinlegen.</li> <li>Nur kleinere Mengen an Lebensmitteln hineinlegen.</li> <li>Zwischen mehreren Lebensmitteln einen Abstand lassen, damit die Luft zirkulieren kann.</li> <li>Die Tür/Schublade schließen.</li> <li>Die Tür/Schublade nicht zu häufig öffnen.</li> </ul>
Das Innere des Geräts ist zu kalt.	<ul style="list-style-type: none"> <li>Die Temperatur ist zu niedrig eingestellt.</li> <li>Die Super Freeze-/Super Cool-Funktion ist aktiviert oder läuft zu lange.</li> </ul>	<ul style="list-style-type: none"> <li>Die Temperatur zurücksetzen.</li> <li>Die Super Freeze-/Super-Cool-Funktion ausschalten.</li> </ul>
Feuchtigkeitsbildung im Innern des Kühlfachs.	<ul style="list-style-type: none"> <li>Das Klima ist zu warm und zu feucht.</li> <li>Eine Tür/Schublade wurde nicht richtig geschlossen.</li> <li>Die Tür/Schublade wurde zu häufig oder zu lange geöffnet.</li> <li>Lebensmittelbehälter oder Flüssigkeiten werden offen gelassen.</li> </ul>	<ul style="list-style-type: none"> <li>Die Temperatur erhöhen.</li> <li>Die Tür/Schublade schließen.</li> <li>Die Tür/Schublade nicht zu häufig öffnen.</li> <li>Heiße Speisen auf Raumtemperatur abkühlen lassen und Speisen und Flüssigkeiten abdecken.</li> </ul>
Feuchtigkeit sammelt sich außen am Kühlschrank oder zwischen der Tür oder den Türen und der Schublade.	<ul style="list-style-type: none"> <li>Das Klima ist zu warm und zu feucht.</li> <li>Die Tür ist nicht richtig geschlossen. Die kalte Luft im Gerät und die warme Außenluft kondensieren.</li> </ul>	<ul style="list-style-type: none"> <li>Das ist bei feuchtem Klima normal und ändert sich, wenn die Feuchtigkeit abnimmt.</li> <li>Prüfen Sie, ob die Tür/Schublade fest geschlossen ist.</li> </ul>
Displaybeleuchtung funktioniert, tut es aber fühle mich nicht cool.	<ul style="list-style-type: none"> <li>Es befindet sich im Demomodus.</li> </ul>	<ul style="list-style-type: none"> <li>Bitte beachten Sie, in welchem Zustand es sich befindet. Wenn es sich im Demo-Modus befindet, beenden Sie es. Beenden: Halten Sie die „ECO“-Taste gedrückt und klicken Sie fünfmal in 5 Sekunden auf die „Super Freeze“-Taste.</li> </ul>



Problem	Mögliche Ursache	Mögliche Behebung
Starke Eisbildung und Frost im Gefrierfach.	<ul style="list-style-type: none"> <li>Die Lebensmittel sind nicht angemessen verpackt.</li> <li>Eine Tür/Schublade wurde nicht richtig geschlossen.</li> <li>Die Tür/Schublade wurde zu häufig oder zu lange geöffnet.</li> <li>Die Tür-/Schubladendichtungen sind verschmutzt, verschlissen, gerissen oder verrutscht.</li> <li>Etwas im Inneren verhindert, dass die Tür/Schublade richtig schließt.</li> </ul>	<ul style="list-style-type: none"> <li>Die Lebensmittel immer gut verpacken.</li> <li>Die Tür/Schublade schließen.</li> <li>Die Tür/Schublade nicht zu häufig öffnen.</li> <li>Die Tür-/Schubladendichtungen reinigen oder austauschen.</li> <li>Die Einlegeböden, Türfächer oder Behälter so versetzen, dass die Tür/Schublade richtig schließt.</li> </ul>
Die Seitenwände des Schrankes und die Türleiste werden warm.	<ul style="list-style-type: none"> <li>-</li> </ul>	<ul style="list-style-type: none"> <li>Das ist normal.</li> </ul>
Das Gerät macht ungewöhnliche Geräusche.	<ul style="list-style-type: none"> <li>Das Gerät befindet sich nicht auf einem ebenen Untergrund.</li> <li>Das Gerät berührt einige Gegenstände um es herum.</li> </ul>	<ul style="list-style-type: none"> <li>Die Füße entsprechend einstellen, um das Gerät zu nivellieren.</li> <li>Die Gegenstände um das Gerät herum entfernen.</li> </ul>
Es ist ein leichtes Geräusch zu hören, ähnlich wie dem von fließendem Wasser.	<ul style="list-style-type: none"> <li>-</li> </ul>	<ul style="list-style-type: none"> <li>Das ist normal.</li> </ul>
Sie hören einen Signalton.	<ul style="list-style-type: none"> <li>Die Kühlschranktür ist offen.</li> </ul>	<ul style="list-style-type: none"> <li>Die Tür schließen.</li> </ul>
Sie hören ein schwaches Brummen.	<ul style="list-style-type: none"> <li>Das Antikondensationssystem arbeitet.</li> </ul>	<ul style="list-style-type: none"> <li>Dies verhindert Kondensation und ist normal.</li> </ul>
Die Innenbeleuchtung oder das Kühlsystem funktioniert nicht.	<ul style="list-style-type: none"> <li>Der Netzstecker ist nicht an die Steckdose angeschlossen.</li> <li>Die Stromversorgung ist nicht intakt.</li> <li>Die LED-Leuchte ist defekt.</li> </ul>	<ul style="list-style-type: none"> <li>Netzstecker anschließen.</li> <li>Die Stromversorgung des Raums überprüfen. Den örtlichen Stromversorger anrufen!</li> <li>Für den Austausch der Leuchte rufen Sie bitte den Kundendienst an.</li> </ul>

Um den technischen Kundendienst zu kontaktieren, besuchen Sie unsere Website: <https://corporate.haier-europe.com/en/>

Wählen Sie im Abschnitt „Website“ die Marke Ihres Produkts und Ihr Land aus. Sie werden auf die entsprechende Website weitergeleitet, auf der Sie die Telefonnummer und das Formular zur Kontaktaufnahme mit dem technischen Kundendienst finden.

### **Stromunterbrechung**

Bei einem Stromausfall sollten die gelagerten Lebensmittel noch 5 Stunden lang kalt bleiben. Beachten Sie

diese Tipps bei einer längeren Stromunterbrechung, insbesondere im Sommer:

- ▶ Öffnen Sie die Tür/Schublade so selten wie möglich.
- ▶ Legen Sie während eines Stromausfalls keine weiteren Lebensmittel in das Gerät.
- ▶ Wenn der Stromausfall vorher angekündigt wurde und die Unterbrechungsdauer länger als 5 Stunden ist, frieren Sie im Voraus ein paar Eiswürfel oder Kühlakkus ein, und legen Sie diese beim Stromausfall oben in das Kühlfach.
- ▶ Prüfen Sie nach dem Stromausfall direkt, ob die Lebensmittel verdorben sind.
- ▶ Da die Temperatur im Kühlschrank während einer Stromunterbrechung oder eines anderen Fehlers ansteigt, werden die Haltbarkeit und die Qualität der Lebensmittel reduziert. Aufgetaute Lebensmittel sollten entweder verzehrt oder gekocht und (sofern geeignet) gleich danach wieder eingefroren werden, um Gesundheitsrisiken zu vermeiden.

### **Speicherfunktion bei Stromunterbrechung**

Nach Wiederherstellung der Stromversorgung fährt das Gerät mit den Einstellungen fort, die vor dem Stromausfall eingestellt waren.

**Auspacken**



**WARNUNG!**

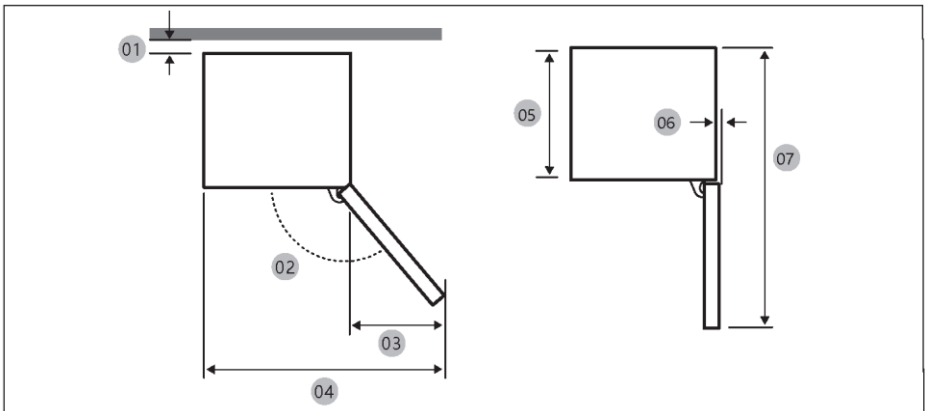
- ▶ Das Gerät ist schwer und muss immer mit mindestens zwei Personen gehandhabt werden.
- ▶ Bewahren Sie sämtliche Verpackungsmaterialien außerhalb der Reichweite von Kindern auf und entsorgen Sie sie umweltfreundlich.
- ▶ Nehmen Sie das Gerät aus der Verpackung.
- ▶ Entfernen Sie alle Verpackungsmaterialien.

**Umgebungsbedingungen**

Die Raumtemperatur sollte immer zwischen 10 °C und 43 °C liegen, da sie die Temperatur im Inneren des Geräts und dessen Energieverbrauch beeinflussen kann. Installieren Sie das Gerät nicht in der Nähe anderer wärmeemittierender Geräte (Ofen, Kühlschränke).

**Platzbedarf**

Platzbedarf bei geöffneter Tür (ohne Schranktürblatt)

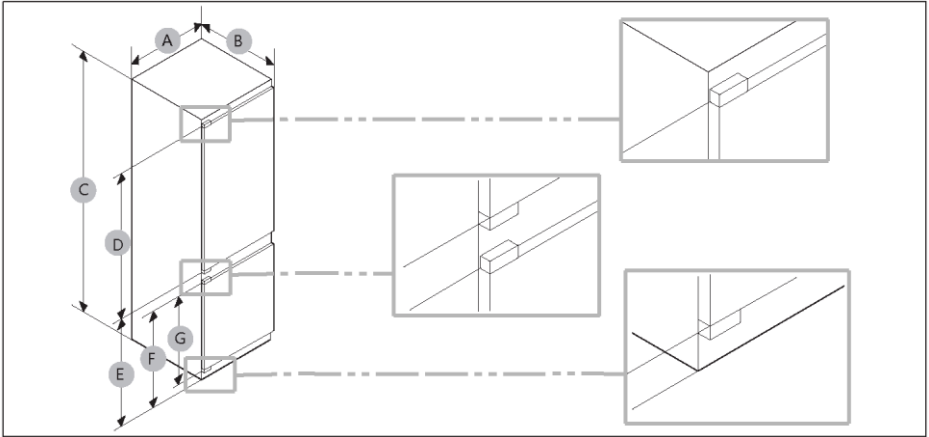


Modell	HBW7518C HBW7518DT
01 *	10 (min.) / 30 (empfohlen)
02	95° (empfohlen)
03	43
04	583
05	515
06	-3
07	1060

(Einheit: mm)

\* 01: Vom Schrank zur Rückseite des Produkts.

## Produktabmessungen



Modell	A(mm)	B(mm)	C(mm)	D(mm)	E(mm)	F(mm)	G(mm)
HBW7518C HBW7518DT	540±2	550±2	1772±2	970	745	662	618

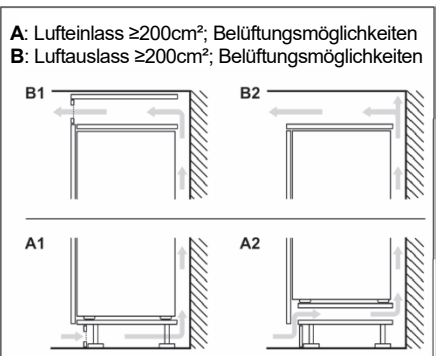
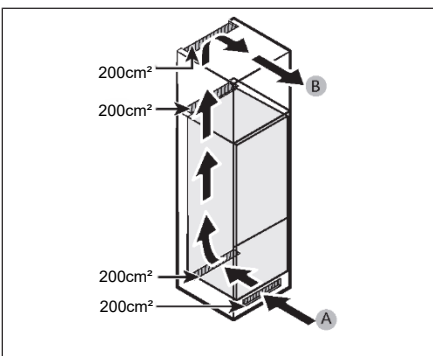


## HINWEIS

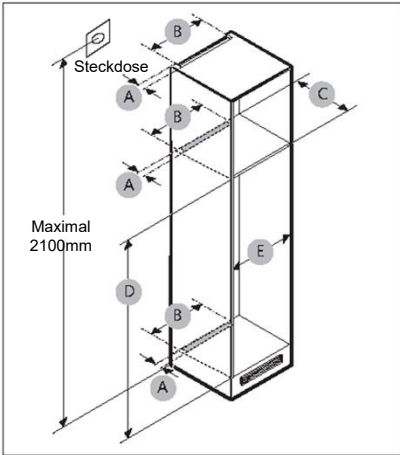
- Der angegebene Energieverbrauch basiert auf der Annahme eines 10-mm-Abstands zwischen Schrank und Rückseite des Produkts. Das Produkt funktioniert auch bei einem Abstand von weniger als 10 mm einwandfrei, verbraucht jedoch etwas mehr Energie.
- Wir empfehlen die Verwendung eines Schrankes mit einer Stärke von 18 mm und Scharnieren mit einer Stärke von weniger als 20 mm.
- Die Messwerte in der obigen Tabelle können je nach Messmethode abweichen.
- Informationen zum Einbau finden Sie in der Installationsanleitung.

### Platzbedarf für eine ausreichende Belüftung

Damit eine ausreichende Belüftung des Geräts gewährleistet wird, dürfen die Hinweise zum ausreichenden Platzbedarf aus Sicherheitsgründen nicht missachtet werden.



### Abmessungen des Schrankes



### VORSICHT!

Jeder Produktfehler, der auf die folgenden Ursachen zurückzuführen ist, wird von der Garantie nicht abgedeckt.

1. Ungünstige Standortbedingungen oder falsche Schrankgrößen.
2. Defekter Schrank.
3. Fehler durch den Installateur oder den Benutzer.

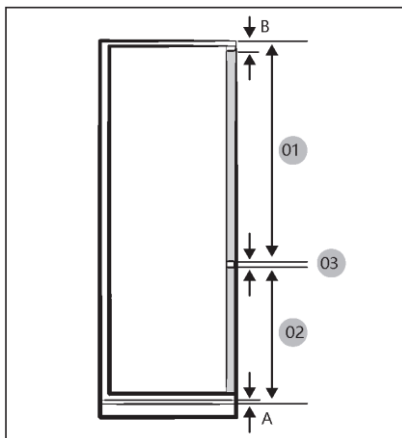
### Platz

Der Platzbedarf für die Installation ist in den nachstehenden Abbildungen und Tabellen angegeben.

Modell		A (mm)	B (mm)	C (mm)	D (mm)	E (mm)	Anmerkung
HBW7518C HBW7518DT	Min.	50	400	560	1778	560	Scharnier: 17mm
	Empfohlen			580	1780	562	
	Max.			-	1782	568	

## **i** HINWEIS

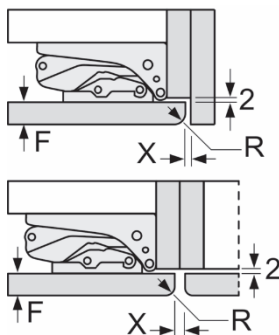
- Wenn die Breite eines Schrankes größer als 568 mm ist, kann sich die Dichtung (zwischen Kühlschrank und Schrank) lösen.
- Wenn der Schrank höher als das Höchstmaß (1782 mm) ist, müssen Sie andere Materialien verwenden, um die Lücke auszufüllen.



(Einheit: mm)

Modell	HBW7518C HBW7518DT
01	Min. 1028+B Max. 1106+B
02	Min. 662+A Max. 740+A
03	4 mm (Spalt zwischen Kühl- und Gefrierschranktüren)

## Empfohlene Spaltmaße für flache Scharniere (für feste oder weiche Scharniere).



(Einheit: mm)

F	R	X
16-19	0-3	2,5
	0-1	3
20	2-3	2,5
	0-1	3
21	2-3	2,5
	0	4
22	1	3,5
	2-3	3

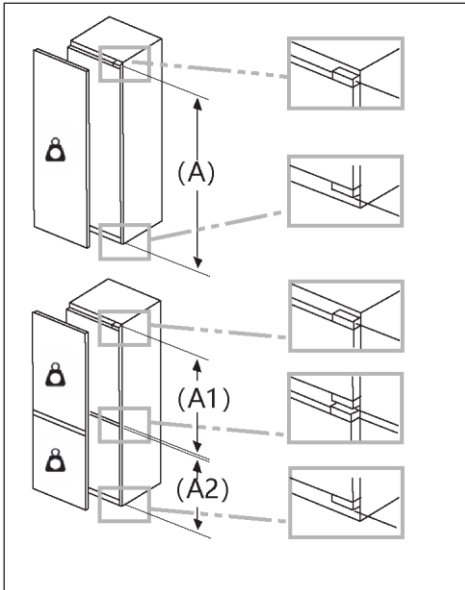
Die in der Tabelle empfohlenen Spaltmaße müssen eingehalten werden, damit die Gerätetüren beim Öffnen nicht aneinanderstoßen und keine Schäden an den Küchenmöbeln entstehen.

## **i** HINWEIS

Für den Einbau eines Schrankes, der einen Abstand von 4 mm erfordert (03), siehe die nachstehende Tabelle mit den Schrankreferenzen.

- A. Untere Kante der Frontplatte über der Belüftung
- B. Überhang der Frontplatte

## Maximal zulässiges Gewicht der Fronten des Geräts

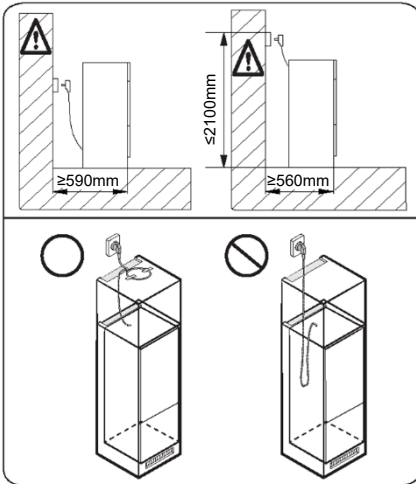


Montierte Möbelfronten, die das zulässige Gewicht überschreiten, können zu Schäden und Funktionsbeeinträchtigungen an den Scharnieren führen.

 **Gewicht**  
(kg)

1500-1750 mm	22
720-1400 mm	19
A1	15
A2	15

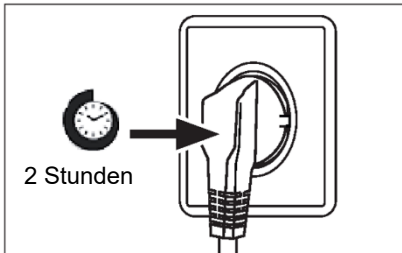
## Berücksichtigung der Lage der Steckdose und des Platzbedarfs



### HINWEIS

Wenn Sie den Kühlschrank in einen Schrank mit einer Tiefe von 560 mm einbauen, vergewissern Sie sich, dass das Netzkabel an einer Seite des Kühlschranks angeordnet ist, bevor Sie den Stecker in die Steckdose stecken. Wenn sich das Netzkabel auf der Rückseite des Kühlschranks befindet, kann dies die Energieeffizienz beeinträchtigen.

## Wartezeit



Das wartungsfreie Schmieröl befindet sich in der Kapsel des Kompressors. Dieses Öl kann beim Transport durch das geschlossene Rohrsystem gelangen, wenn das Gerät gekippt wird. Warten Sie mindestens 2 Stunden, bevor Sie das Gerät an die Stromversorgung anschließen, damit das Öl wieder in die Kapsel zurückfließt.

## Elektrischer Anschluss

Stellen Sie vor jedem Anschluss sicher, dass:

- ▶ die Stromversorgung, Steckdose und Sicherung den Angaben auf dem Typenschild entsprechen.
- ▶ die Steckdose geerdet ist und kein Mehrfachstecker oder Verlängerungskabel vorhanden ist.
- ▶ der Netzstecker und die Steckdose richtig zusammenpassen.

Schließen Sie den Stecker an eine ordnungsgemäß installierte Haushaltssteckdose an.



## WARNUNG!

Um Gefahren zu vermeiden, muss ein beschädigtes Netzkabel vom Kundenservice ausgetauscht werden (siehe Garantiekarte).



## Produktdatenblatt gemäß EU-Verordnung Nr. 2019/2016

Marke	Haier	Haier
Modellname/Kennzeichnung	HBW7518C	HBW7518DT
Kategorie des Modells	Kühl- Gefrierkombination	Kühl- Gefrierkombination
Energieeffizienzklasse	C	D
Jährlicher Energieverbrauch (kWh/Jahr)(1)	146	180
Gesamtvolumen (L)	268	268
Volumen Kühlschrank (L)	182	182
Volumen Gefrierschrank (L)	86	86
Volumen Kühlfach (L)	/	/
Volumen des automatischen Eiswürfelbereiters (L)	/	/
Sterne-Bewertung	4	4
Temperatur der anderen Fächer > 14 °C	Nicht anwendbar	Nicht anwendbar
Frostfreies System	Ja	Ja
Gefrierleistung (kg/24h)	8	8
Klima-Bewertung (2)	SN/N/ST/T	SN/N/ST/T
Geräuschemissionsklasse und Luftschallemissionen (db(A)re1pW)	B 32	B 32
Temperaturanstiegszeit (h)	12	
Leistung des Eiswürfelbereiters	/	/
Gerätetyp	Eingebaut	Eingebaut

Modellname	Energieeffizienzklasse
HBW7518C	C
HBW7518DT	D

Erläuterungen:

• Ja, vorhanden

- (1) Basierend auf den Ergebnissen des Normenkonformitätstests über 24 Stunden. Der tatsächliche Verbrauch hängt von der Verwendung und dem Standort des Geräts ab.
- (2) Klima-Bewertung SN: Dieses Gerät ist für die Verwendung bei einer Umgebungstemperatur zwischen +10 °C und +32 °C ausgelegt.  
 Klima-Bewertung N: Dieses Gerät ist für die Verwendung bei einer Umgebungstemperatur zwischen +16 °C und +32 °C ausgelegt.  
 Klima-Bewertung ST: Dieses Gerät ist für die Verwendung bei einer Umgebungstemperatur zwischen +16 °C und +38 °C ausgelegt.  
 Klima-Bewertung T: Dieses Gerät ist für die Verwendung bei einer Umgebungstemperatur zwischen +16 °C und +43 °C ausgelegt.

#### Zusätzliche technische Daten

Spannung / Frequenz	220-240V ~/ 50Hz
Eingangsstrom (A)	2
Hauptsicherung (A)	16
Kühlmittel	R600a
Abmessungen (H/B/T in mm)	1772/540/550

Wir empfehlen unseren Haier Kundendienst und die Verwendung von Original-Ersatzteilen. Wenn Sie Probleme mit dem Gerät haben, lesen Sie bitte zuerst den Abschnitt „FEHLERBEHEBUNG“.

Wenn Sie dort keine Lösung finden, wenden Sie sich bitte an

- ▶ Ihren Händler vor Ort oder
- ▶ an unser Europäisches Call-Service-Center (siehe unten aufgeführte Telefonnummern) oder
- ▶ an den Service und Support unter [www.haier.com](http://www.haier.com), wo Sie den Service aktivieren können.
- ▶ Hier finden Sie auch die FAQs.

Um unseren Kundendienst zu kontaktieren, stellen Sie sicher, dass Sie die folgenden Daten zur Hand haben.

Die Informationen finden Sie auf dem Typenschild.

Modell \_\_\_\_\_

Seriennummer \_\_\_\_\_

Prüfen Sie im Garantiefall auch die mit dem Produkt mitgelieferte Garantiekarte.

Europäisches Call-Service-Center		
Land*	Telefonnummer	Kosten
Haier Italy (IT)	199 100 912	
Haier Spain (ES)	902 509 123	
Haier Germany (DE)	0180 5 39 39 99	<ul style="list-style-type: none"> <li>• 14 Ct/Min Festnetz</li> <li>• max. 42 Ct/Min Mobil</li> </ul>
Haier Austria (AT)	0820 001 205	<ul style="list-style-type: none"> <li>• 14,53 Ct/Min Festnetz</li> <li>• max. 20 Ct/Min alle anderen</li> </ul>
Haier United Kingdom (UK)	0333 003 8122	
Haier France (FR)	0980 406 409	

\* Weitere Informationen finden Sie unter [www.haier.com](http://www.haier.com)

Haier Europe Trading S.r.l

Niederlassung UK

Westgate House, Westgate, Ealing

London, W5 1YY

\*Gewährleistungsdauer des Kühlgeräts:

Die Mindestgarantie beträgt: 2 Jahre für EU-Länder, 3 Jahre für die Türkei, 1 Jahr für Großbritannien, 1 Jahr für Russland, 3 Jahre für Schweden, 2 Jahre für Serbien, 5 Jahre für Norwegen, 1 Jahr für Marokko, 6 Monate für Algerien, Tunesien keine gesetzliche Gewährleistung erforderlich.

\*Der Zeitraum für die Beschaffung von Ersatzteilen für die Reparatur des Geräts:

Thermostate, Temperatursensoren, Leiterplatten und Leuchtmittel sind für einen Zeitraum von mindestens sieben Jahren nach Inverkehrbringen des letzten Geräts des Modells erhältlich.

Türgriffe, Türscharniere, Ablagen und Schubladen für eine Mindestdauer von sieben Jahren und Türdichtungen für eine Mindestdauer von 10 Jahren, nachdem das letzte Gerät des Modells in Verkehr gebracht wurde.

\*Weitere Informationen zum Produkt finden Sie entweder unter <https://eprel.ec.europa.eu/> oder Sie scannen den QR-Code auf dem Energielabel, das dem Gerät beiliegt.

The Haier logo is displayed in a bold, black, sans-serif font. The background of the page features abstract geometric shapes in shades of gray and white, including a large dark gray shape on the left and a large light gray shape on the right, both with rounded corners and pointed ends.

专用号条码

0060536192  
2024 Version A

# Haier

## Εγχειρίδιο χρήσης

Ψυγείο-καταψύκτης  
HBW7518C  
HBW7518DT

EN

CZ

DE

EL

ES

FR

HU

IT

NL

PL

PT

RO

EL



**WARNING: Risk of fire/flammable material** **EN**  
The symbol indicates there is a risk of fire since flammable materials are used. Take care to avoid causing a fire by ingiting flammable material.

**VAROVÁNÍ: Nebezpečí Požáru/Hořlavého Materiálu** **CZ**

Symbol označuje riziko požáru, protože byly použity hořlavé materiály. Dbejte na to, aby nedošlo ke vzniku požáru zapálením hořlavého materiálu.

**WARNUNG: Brandgefahr/brennbares Material** **DE**

Das Symbol weist auf Brandgefahr hin, da brennbare Materialien verwendet werden. Verhindern Sie die Entstehung von Bränden, die durch entflammbare Materialien verursacht werden.

**ΠΡΟΣΟΧΗ: Κίνδυνος: φωτιάς/εύφλεκτο υλικό** **EL**

Το σύμβολο υποδεικνύει ότι υπάρχει κίνδυνος φωτιάς επειδή χρησιμοποιούνται εύφλεκτα υλικά. Προσέχετε να αποφεύγετε την πρόκληση φωτιάς από ανάφλεξη εύφλεκτου υλικού.

**ADVERTENCIA: Riesgo de incendio o material inflamable** **ES**

El símbolo indica que existe riesgo de incendio, dado que se utilizan materiales inflamables. Se debe procurar evitar incendios medí ante la combustión de materiales inflamables.

**ATTENTION: Risque d'incendie ou de mati ères inflammables** **FR**

Le symbole montre qu'il y'a le risque de maté riaux inflammables sont utilisés. Prendre soin d'éviter de provoquer un incendie en ingérant des matières inflammables.

**FIGYELEM: Tűz / gyúlékony anyag veszélye** **HU**

A szimbólum azt jelzi, hogy tűzveszély áll fenn, mivel gyúlékony anyagokat használnak. Ügyeljen arra, hogy ne tegyen rá tűzveszélyes gyúlékony anyagot.

**ATTENZIONE: Rischio di incendio/materiale infiammabile** **IT**

Il simbolo indica il rischio di incendio nel caso di utilizzo di materiali infiammabili. Fare attenzione ed evitare l'insorgere di incendi a causa della caombustione di materiali infiammabili.

**WAARSCHUWING: Brandrisico / brandbaar materiaal** **NL**

Het systeem geeft aan dat er een brandrisico bestaat aangezien brandbaar materiaal wordt gebruikt. Zorg ervoor dat er geen brand wordt veroorzaakt door brandbaat materiaal te ont steken.

**OSTRZEŽENIE: Ryzyko pożaru/materiał łatwopalny** **PL**

Symbol wskazuje, że istnieje ryzyko pożaru, ponieważ używane są materiały łatwopalne. Dbaj o to, aby uniknąć pożaru poprzez zapale nie łatwopalnego materiału.

**AVISO: Risco de incêndio e material inflamável** **PT**

O símbolo indica que existe um risco de incêndio, uma vez que são utilizados materiais inflamáveis. Tenha cuidado para evitar provocar um incêndio acendendo material inflamável.

**AVERTISMENT: Risc de incendiu/material inflamabil** **RO**

Simbolul indică că există risc de incendiu deoarece sunt folosite materiale inflamabile. Aveți grijă și evitați incendiile aprinzând mate riale inflamabile.

<u>5 Πληροφορίες ασφάλειας</u>	•	<u>Πριν από την πρώτη χρήση</u> 6
		<u>Εγκατάσταση</u> 6
		<u>Καθημερινή χρήση</u> 7
<u>10 Προβλεπόμενη χρήση</u>	•	<u>Πληροφορίες για τα ψυκτικά αέρια</u> 9
<u>11 Περιγραφή προϊόντος</u>	•	
<u>12 Πίνακας ελέγχου</u>	•	
<u>13 Χρήση</u>	•	<u>Κλείδωμα/ξεκλείδωμα πίνακα</u> 13
		<u>Ρύθμιση θερμοκρασίας του ψυγείου</u> 13
		<u>Ρύθμιση θερμοκρασίας του καταψύκτη</u> 13
		<u>Λειτουργία διασύνδεσης</u> 14
		<u>Λειτουργία ECO</u> 15
		<u>Λειτουργία Holiday</u> 15
		<u>Λειτουργία Super Cool</u> 15
		<u>Λειτουργία Super Freeze</u> 16
		<u>Επιλογή λειτουργίας My Zone</u> 17
<u>19 Εξοπλισμός</u>	•	
<u>20 Συμβουλές εξοικονόμησης ενέργειας</u>	•	
<u>21 Φροντίδα και καθαρισμός</u>	•	
<u>23 Αντιμετώπιση προβλημάτων</u>	•	
<u>27 Εγκατάσταση</u>	•	
<u>33 Τεχνικά δεδομένα</u>	•	
<u>35 Εξυπηρέτηση πελατών</u>	•	



## Ευχαριστούμε που αγοράσατε ένα προϊόν Haier.

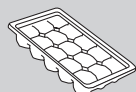
Παρακαλούμε διαβάστε προσεκτικά αυτές τις οδηγίες πριν από την χρήση αυτής της συσκευής. Οι οδηγίες περιέχουν σημαντικές πληροφορίες που θα σας βοηθήσουν να αξιοποιήσετε στο έπακρο τη συσκευή και να εξασφαλίσετε την ασφαλή και σωστή εγκατάσταση, χρήση και συντήρηση.

Φυλάξτε αυτό το εγχειρίδιο σε μια προσβάσιμη θέση, ώστε να μπορείτε πάντα να ανατρέξετε σε αυτό για την ασφαλή και σωστή χρήση της συσκευής.

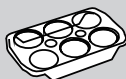
Εάν πουλήσετε τη συσκευή, την χαρίσετε ή την αφήσετε πίσω όταν μετακομίσετε από το σπίτι, βεβαιωθείτε ότι έχετε αφήσει επίσης και αυτό το εγχειρίδιο, ώστε ο νέος ιδιοκτήτης να εξοικειωθεί με τη συσκευή και τις προειδοποιήσεις ασφαλείας.

## Εξαρτήματα

Ελέγξτε τα εξαρτήματα και τη βιβλιογραφία σύμφωνα με αυτόν τον κατάλογο:



Θήκη για παγάκια



Θήκη αυγών



Ενεργειακή ετικέτα



Κάρτα εγγύησης



Εγχειρίδιο χρήστη



Βίδα x4



Κάλυμμα x2



Σφουγγάρι x2



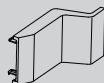
Οδηγός κινήσεων x4



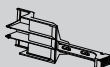
Συναρμολόγηση συρόμενου μηχανισμού x4



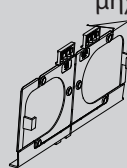
Σταθερή πλάκα



Κάλυμμα μεντεσέ



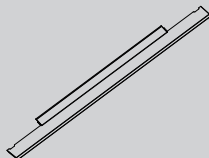
Σταθερή πλάκα II



Κάτω σταθερή πλάκα



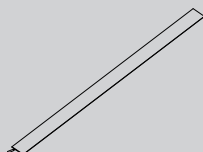
Άνω σταθερή πλάκα



Κάτω κάλυμμα



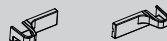
Κάτω πλευρικό κάλυμμα



Ταινία σφράγισης



Σφουγγάρι σφράγισης



Κάτω κάλυμμα μεντεσέ



**ΠΡΟΕΙΔΟΠΟΙΗΣΗ – Σημαντικές πληροφορίες ασφάλειας**



**ΠΑΡΑΤΗΡΗΣΗ – Γενικές πληροφορίες και συμβουλές**



**Περιβαλλοντικές πληροφορίες**

### Απόρριψη



Βοήθεια και συμβολή στην προστασία του περιβάλλοντος και της ανθρώπινης υγείας. Τοποθετήστε τη συσκευασία σε κατάλληλα δοχεία για την ανακύκλωση της. Συμβολή στην ανακύκλωση των αποβλήτων ηλεκτρικών και ηλεκτρονικών συσκευών. Συσκευές που φέρουν αυτό το σύμβολο μην τις απορρίψετε μαζί με τα οικιακά απορρίμματα. Επιστρέψτε το προϊόν στην τοπική μονάδα ανακύκλωσης ή επικοινωνήστε με το αρμόδιο δημοτικό γραφείο του Δήμου σας.



## ΠΡΟΕΙΔΟΠΟΙΗΣΗ!

Κίνδυνος τραυματισμού ή ασφυξίας!

Τα ψυκτικά μέσα και τα αέρια πρέπει να απορρίπτονται επαγγελματικά. Βεβαιωθείτε ότι η σωλήνωση του κυκλώματος ψυκτικού δεν έχει υποστεί ζημιά πριν απορριφθεί σωστά. Αποσυνδέστε τη συσκευή από την πρίζα παροχής ρεύματος. Κόψτε το καλώδιο τροφοδοσίας και απορρίψτε το. Αφαιρέστε τους δίσκους και τα συρτάρια, καθώς και τα αλιεύματα και τις σφραγίδες της πόρτας, για να αποτρέψετε τα παιδιά και τα κατοικίδια ζώα να κλείσουν στη συσκευή.

## Διαβάστε τις παρακάτω υποδείξεις ασφαλείας πριν ενεργοποιήσετε τη συσκευή για πρώτη φορά:



### ΠΡΟΕΙΔΟΠΟΙΗΣΗ!

#### Πριν από την πρώτη χρήση

- ▶ Βεβαιωθείτε ότι δεν υπάρχει ζημιά εξαιτίας της μεταφοράς.
- ▶ Περιμένετε τουλάχιστον δύο ώρες πριν τοποθετήσετε τη συσκευή για να βεβαιωθείτε ότι το κύκλωμα του ψυκτικού είναι πλήρως αποτελεσματικό.
- ▶ Χειριστείτε τη συσκευή πάντοτε με δύο άτομα τουλάχιστον, διότι είναι βαριά.
- ▶ Αφαιρέστε όλα τα υλικά συσκευασίας, κρατήστε τα μακριά από τα παιδιά και απορρίψτε τα με φιλικό προς το περιβάλλον τρόπο.
- ▶ Καθαρίστε το εσωτερικό και το εξωτερικό της συσκευής με νερό και ένα ήπιο απορρυπαντικό πριν βάλετε οποιοδήποτε φαγητό σε αυτό.
- ▶ Αφού η συσκευή τοποθετηθεί απολύτως ίσια στο δάπεδο και καθαριστεί, περιμένετε τουλάχιστον 2-5 ώρες πριν τη συνδέσετε στην παροχή ρεύματος. Ανατρέξτε στην ενότητα ΕΓΚΑΤΑΣΤΑΣΗ.
- ▶ Προψύξτε τους θαλάμους σε υψηλές ρυθμίσεις πριν τοποθετήσετε τρόφιμα. Η λειτουργία Power-Freeze βοηθά στην γρήγορη ψύξη των θαλάμων.
- ▶ Η θερμοκρασία ψυγείου και η θερμοκρασία καταψύκτη ρυθμίζονται αυτόματα στους 5°C και -18°C αντίστοιχα. Αυτές είναι οι προτεινόμενες ρυθμίσεις. Εάν θέλετε, μπορείτε να αλλάξετε αυτές τις θερμοκρασίες χειροκίνητα. Ανατρέξτε στην ενότητα ΡΥΘΜΙΣΗ ΘΕΡΜΟΚΡΑΣΙΑΣ.

#### Εγκατάσταση

- ▶ Η συσκευή πρέπει να τοποθετηθεί σε καλά αεριζόμενο μέρος. Βεβαιωθείτε ότι υπάρχει χώρος τουλάχιστον 10 εκατοστών πάνω και γύρω από τη συσκευή.
- ▶ Μην τοποθετείτε ποτέ τη συσκευή σε υγρή περιοχή ή θέση όπου μπορεί να πιπιλιστεί ή βραχεί με νερό. Καθαρίστε και ξύστε τις ξεραμένες πιπιλιές νερού και λεκέδες με ένα μαλακό καθαρό πανί.
- ▶ Μην εγκαθιστάτε τη συσκευή σε σημείο με άμεσο ηλιακό φως ή κοντά σε πηγές θερμότητας (π.χ. σόμπες, θερμαντήρες).
- ▶ Εγκαταστήστε και τοποθετήστε τη συσκευή σε μια περιοχή κατάλληλη για το μέγεθος και τη χρήση της.
- ▶ Διατηρείτε τα ανοίγματα εξαερισμού στη συσκευή ή την ενσωματωμένη δομή ελεύθερα εμποδίων.
- ▶ Βεβαιωθείτε ότι οι ηλεκτρολογικές πληροφορίες στην πινακίδα τύπου συμφωνούν με την αντίστοιχη παροχή ρεύματος. Εάν όχι, επικοινωνήστε με έναν ηλεκτρολόγο.
- ▶ Η συσκευή λειτουργεί με τροφοδοσία 220-240 VAC / 50 Hz. Η μη φυσιολογική διακύμανση της τάσης μπορεί να προκαλέσει την αποτυχία εκκίνησης της συσκευής ή ζημιά στον έλεγχο θερμοκρασίας ή τον συμπιεστή ή μπορεί να υπάρχει ανώμαλος θόρυβος κατά τη λειτουργία. Στην περίπτωση αυτή, πρέπει να τοποθετηθεί ένας αυτόματος ρυθμιστής.
- ▶ Μη χρησιμοποιείτε προσαρμογείς πολλαπλών θέσεων (πολύπριζα) και καλώδια επέκτασης / προέκτασης.
- ▶ Μην τοποθετείτε πολλαπλές φορητές πρίζες ή φορητά τροφοδοτικά στο πίσω μέρος της συσκευής.
- ▶ Βεβαιωθείτε ότι το καλώδιο τροφοδοσίας δεν έχει παγιδευτεί από το ψυγείο. Μην πατάτε το καλώδιο τροφοδοσίας.



## ΠΡΟΕΙΔΟΠΟΙΗΣΗ!

- ▶ Χρησιμοποιήστε μια ξεχωριστή γειωμένη πρίζα για την παροχή ηλεκτρικού ρεύματος, η οποία να είναι εύκολα προσβάσιμη. Αυτή η συσκευή πρέπει να είναι γειωμένη.

Μόνο για το Ηνωμένο Βασίλειο: Το καλώδιο τροφοδοσίας της συσκευής είναι εξοπλισμένο με βύσμα 3-καλωδίων (με γείωση) που ταιριάζει σε μια τυπική πρίζα 3-καλωδίων (πρίζα με γείωση). Ποτέ μην κόβετε ή αποσυναρμολογείτε τον τρίτο πείρο (γείωση). Μετά την εγκατάσταση της συσκευής, το βύσμα πρέπει να είναι άμεσα προσβάσιμο.

- ▶ Αποφύγετε την πρόκληση ζημιών στο κύκλωμα ψύξης.

### Καθημερινή χρήση

- ▶ Η συσκευή αυτή μπορεί να χρησιμοποιηθεί από παιδιά ηλικίας 8 ετών και άνω και από άτομα με μειωμένες σωματικές, αισθητηριακές ή διανοητικές ικανότητες ή έλλειψη εμπειρίας και γνώσης, εφόσον βρίσκονται υπό εποπτεία ή εάν τους έχουν δοθεί σαφείς οδηγίες σχετικά με τη χρήση της συσκευής με ασφαλή τρόπο και έχουν κατανοήσει επακριβώς τους σχετικούς κινδύνους.
- ▶ Τα παιδιά ηλικίας 3 έως 8 ετών επιτρέπεται να τοποθετούν και να βγάζουν (αντικείμενα) από τις ψυκτικές συσκευές, αλλά δεν επιτρέπεται να τις καθαρίζουν ή να τις εγκαθιστούν.
- ▶ Κρατήστε μακριά τα παιδιά κάτω των 3 ετών από τη συσκευή, εκτός εάν επιβλέπονται συνεχώς.
- ▶ Τα παιδιά δεν επιτρέπεται να παίζουν με τη συσκευή.
- ▶ Εάν υπάρχει διαρροή ψυκτικού αερίου ή άλλου εύφλεκτου αερίου κοντά στη συσκευή, κλείστε τη βαλβίδα του αερίου που διαρρέει, ανοίξτε τις πόρτες και τα παράθυρα και μην αποσυνδέσετε ή συνδέσετε το καλώδιο τροφοδοσίας του ψυγείου ή οποιασδήποτε άλλης συσκευής.
- ▶ Σημειώστε ότι η συσκευή έχει ρυθμιστεί για λειτουργία σε συγκεκριμένο εύρος θερμοκρασίας περιβάλλοντος μεταξύ 10 και 43°C. Η συσκευή ενδέχεται να μη λειτουργεί σωστά εάν αφηθεί για μεγάλο χρονικό διάστημα σε θερμοκρασία υψηλότερη ή χαμηλότερη από το υποδεικνυόμενο εύρος τιμών.
- ▶ Μην τοποθετείτε ασταθή αντικείμενα (βαριά αντικείμενα, δοχεία γεμάτα με νερό) στο πάνω μέρος του ψυγείου, για να αποφύγετε τραυματισμούς από πτώση ή ηλεκτροπληξία από επαφή με νερό.
- ▶ Μην τραβάτε τα ράφια των θυρών της πόρτας. Η πόρτα μπορεί να βγει από τη θέση της, η σχάρα για τα μπουκάλια μπορεί να τραβηχτεί μακριά ή η συσκευή μπορεί να ανατραπεί.
- ▶ Ανοίγετε και κλείνετε την πόρτα μόνο από τις λαβές. Το κενό ανάμεσα στις πόρτες και ανάμεσα στις πόρτες και το ντουλάπι είναι πολύ στενό. Μην βάζετε τα χέρια σας σε αυτές τις περιοχές για να αποφύγετε να πιαστούν (μαγκωθούν) τα δάκτυλά σας. Ανοίξτε ή κλείστε τις πόρτες ψυγείου μόνο όταν δεν υπάρχουν παιδιά που να στέκονται εντός του εύρους κίνησης της πόρτας.



## ΠΡΟΕΙΔΟΠΟΙΗΣΗ!

- ▶ Μην αποθηκεύετε και μην χρησιμοποιείτε εύφλεκτα, εκρηκτικά ή διαβρωτικά υλικά εντός ή εγγύς της συσκευής.
- ▶ Μην αποθηκεύετε φάρμακα, βακτήρια ή χημικούς παράγοντες στη συσκευή. Αυτή η συσκευή είναι μια οικιακή συσκευή. Δεν συνιστάται η αποθήκευση υλικών που απαιτούν αυστηρές θερμοκρασίες.
- ▶ Ποτέ μην αποθηκεύετε υγρά σε φιάλες ή δοχεία (πέραν των αλκοολούχων υψηλού βαθμού) και ιδιαίτερα ανθρακούχα αναψυκτικά στον καταψύκτη καθώς θα διαρραγούν κατά την ψύξη.
- ▶ Ελέγξτε την κατάσταση των τροφίμων εάν έχουν προηγηθεί συνθήκες θέρμανσης στον καταψύκτη.
- ▶ Μην ορίσετε άσκοπα χαμηλή θερμοκρασία στον θάλαμο του ψυγείου. Οι αρνητικές θερμοκρασίες μπορεί να εμφανιστούν σε υψηλές ρυθμίσεις. Προσοχή: Τα μπουκάλια μπορούν να σκάσουν
- ▶ Μην αγγίζετε κατεψυγμένα προϊόντα με βρεγμένα χέρια (φοράτε γάντια). Ειδικά μην πιείτε (τρώτε) γρανίτες αμέσως μετά την αφαίρεση από τον θάλαμο κατάψυξης. Υπάρχει ο κίνδυνος κατάψυξης ή σχηματισμός φουσκάλων παγετού. ΠΡΩΤΕΣ βοήθειες: κρατήστε αμέσως κάτω από τρεχούμενο κρύο νερό. Μην τις τραβάτε μακριά!
- ▶ Μην αγγίζετε την εσωτερική επιφάνεια του χώρου αποθήκευσης του καταψύκτη όταν λειτουργείτε, ειδικά με βρεγμένα χέρια, καθώς τα χέρια σας μπορεί να παγώσουν στην επιφάνεια.
- ▶ Αποσυνδέστε τη συσκευή από την πρίζα σε περίπτωση διακοπής ρεύματος ή πριν από τον καθαρισμό. Αφήστε τουλάχιστον 7 λεπτά πριν από την επανεκκίνηση της συσκευής, καθώς η συχνή εκκίνηση μπορεί να προκαλέσει ζημιά στον συμπιεστή.
- ▶ Μην χρησιμοποιείτε ηλεκτρικές συσκευές στο εσωτερικό των θαλάμων αποθήκευσης τροφίμων της συσκευής, εκτός αν είναι συσκευές που συνιστά ο κατασκευαστής. Συντήρηση / καθαρισμός
- ▶ Βεβαιωθείτε ότι τα παιδιά επιβλέπονται εάν πραγματοποιούν καθαρισμό και συντήρηση.
- ▶ Αποσυνδέστε τη συσκευή από την ηλεκτρική τροφοδοσία πριν πραγματοποιήσετε οποιαδήποτε συντήρηση ρουτίνας. Αφήστε τουλάχιστον 5 λεπτά πριν από την επανεκκίνηση της συσκευής, καθώς η συχνή εκκίνηση μπορεί να προκαλέσει ζημιά στον συμπιεστή.



## ΠΡΟΕΙΔΟΠΟΙΗΣΗ!

- ▶ Κρατήστε το φιλς, όχι το καλώδιο, όταν αποσυνδέετε τη συσκευή.
- ▶ Μην καθαρίζετε τη συσκευή με σκληρές βούρτσες, συμράτινες βούρτσες, σκόνη απορρυπαντικού, βενζίνη, οξικό αμύλιο, ακετόνη και παρόμοια οργανικά διαλύματα, όξινα ή αλκαλικά διαλύματα. Καθαρίστε με ειδικό απορρυπαντικό ψυγείου για να αποφύγετε ζημιές.
- ▶ Μην ξύσετε τον δροσοπάγο και τον πάγο με αιχμηρά αντικείμενα. Μην χρησιμοποιείτε σπρέι, ηλεκτρικούς θερμαντήρες όπως θερμαντήρα, στεγνωτήρα μαλλιών, ατμοκαθαριστές ή άλλες πηγές θερμότητας για να αποφύγετε ζημιές στα πλαστικά μέρη.
- ▶ Μην χρησιμοποιείτε μηχανικές συσκευές ή άλλα μέσα για να επιταχύνετε τη διαδικασία απόψυξης, παρά μόνο όσα συνιστώνται από τον κατασκευαστή.
- ▶ Αν το καλώδιο παροχής ρεύματος έχει φθαρεί πρέπει να αντικατασταθεί από τον κατασκευαστή ή τον αντιπρόσωπο του σέρβις ή παρόμοια εξουσιοδοτημένα πρόσωπα, προς αποφυγή του κινδύνου.
- ▶ Μην προσπαθήσετε να επισκευάσετε, να αποσυναρμολογήσετε ή να τροποποιήσετε τη συσκευή μόνοι σας. Σε περίπτωση επισκευής επικοινωνήστε με την εξυπηρέτηση πελατών μας.
- ▶ Εξαλείψτε τη σκόνη στο πίσω μέρος της μονάδας τουλάχιστον μία φορά το χρόνο για να αποφύγετε τον κίνδυνο από πυρκαγιά, καθώς και την αυξημένη κατανάλωση ενέργειας.
- ▶ Μην ψεκάζετε ή ξεπλένετε τη συσκευή κατά τον καθαρισμό.
- ▶ Μην χρησιμοποιείτε σπρέι νερού ή ατμό για να καθαρίσετε τη συσκευή.
- ▶ Μην καθαρίζετε τα κρύα γυάλινα ράφια με ζεστό νερό. Η απότομη αλλαγή θερμοκρασίας μπορεί να προκαλέσει το σπάσιμο του γυαλιού.

## Πληροφορίες για τα ψυκτικά αέρια



### ΠΡΟΕΙΔΟΠΟΙΗΣΗ!

Η συσκευή περιέχει το εύφλεκτο ψυκτικό μέσο ΙΣΟΒΟΥΤΑΝΙΟ (R600a). Βεβαιωθείτε ότι το κύκλωμα ψυκτικού δεν έχει υποστεί ζημιά κατά τη μεταφορά ή την εγκατάσταση. Η διαρροή ψυκτικού μπορεί να προκαλέσει τραυματισμούς στα μάτια ή ανάφλεξη. Εάν έχει προκληθεί ζημιά, κρατήστε το μακριά από ακάλυπτες πηγές φωτιάς, αερίστε καλά το δωμάτιο, μην συνδέσετε ή αποσυνδέσετε τα καλώδια τροφοδοσίας της συσκευής ή οποιασδήποτε άλλης συσκευής. Ενημερώστε την εξυπηρέτηση πελατών.

Σε περίπτωση που τα μάτια έρθουν σε επαφή με το ψυκτικό μέσο, ξεπλένετε τα αμέσως κάτω από τρεχούμενο νερό και καλέστε αμέσως τον οφθαλμίατρο.

## Προβλεπόμενη χρήση

Αυτή η συσκευή προορίζεται για ψύξη και κατάψυξη τροφίμων. Έχει σχεδιαστεί αποκλειστικά για χρήση σε οικιακές και παρόμοιες εφαρμογές, όπως χώρους κουζίνας προσωπικού σε καταστήματα, γραφεία και άλλα εργασιακά περιβάλλοντα. αγροικίες και από πελάτες σε ξενοδοχεία/ μοτέλ και άλλα περιβάλλοντα οικιστικού τύπου, καθώς και σε ξενοδοχειακές επιχειρήσεις bed-and-breakfast και catering. Δεν προορίζεται για εμπορική ή βιομηχανική χρήση.

Δεν επιτρέπονται αλλαγές ή τροποποιήσεις στη συσκευή. Η ακούσια χρήση μπορεί να προκαλέσει κινδύνους και απώλεια αξιώσεων εγγύησης.

## Πρότυπα και οδηγίες

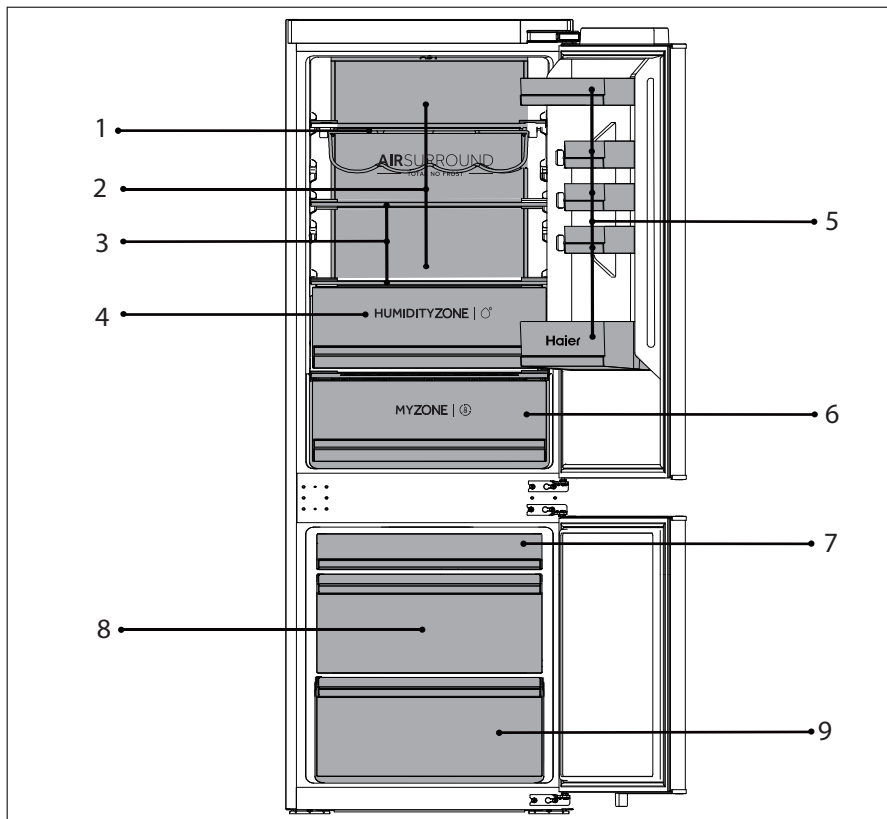


Αυτό το προϊόν πληροί τις απαιτήσεις όλων των εφαρμοστέων οδηγιών της ΕΚ με τα αντίστοιχα εναρμονισμένα πρότυπα, τα οποία προβλέπονται για την σήμανση CE.



## ΕΙΔΟΠΟΪΗΣΗ

Λόγω τεχνικών αλλαγών και διαφορετικών μοντέλων, ορισμένες από τις εικόνες σε αυτό το εγχειρίδιο ενδέχεται να διαφέρουν από το μοντέλο σας.



### HBW7518C/HBW7518DT

A: Θάλαμος ψύξης

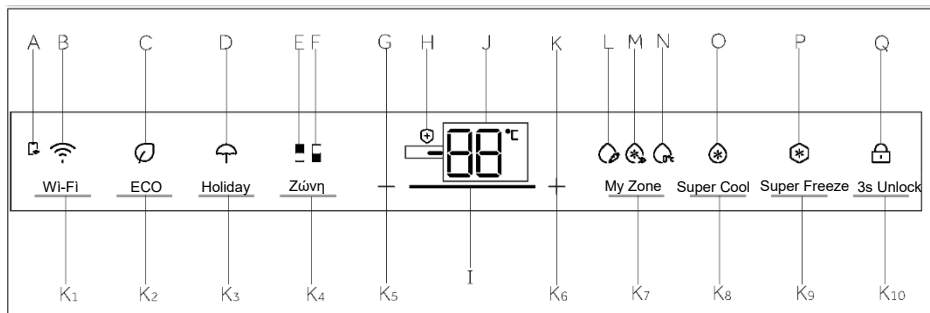
- 1 Ράφι κρασιού
- 2 Αεραγωγός ψύξης
- 3 Κανονικά ράφια
- 4 Συρτάρι Humidity Zone
- 5 Μπουκαλοθήκη
- 6 Συρτάρι MyZone

B: Θάλαμος κατάψυξης

- 7 Επάνω συρτάρι καταψύκτη
- 8 Μεσαίο συρτάρι καταψύκτη
- 9 Κάτω συρτάρι καταψύκτη



## Πίνακας ελέγχου



### Ενδείξεις:

- A Εφαρμογή σύνδεσης Mobile
- B Λειτουργία Wi-Fi
- C Λειτουργία ECO
- D Λειτουργία Holiday
- E Ένδειξη ψυγείου
- F Ένδειξη καταψύκτη
- G Ρύθμιση θερμοκρασίας "-"
- H Βακτηριοκτόνος λειτουργία
- I Εμφάνιση αποτελέσματος ισχύος «ταχύτητας»
- J Οθόνη θερμοκρασίας
- K Ρύθμιση θερμοκρασίας "+"
- L Λειτουργία Fruit&Veg
- M Λειτουργία QuickCool
- N Λειτουργία 0°C Fresh
- O Λειτουργία Super Cool
- P Λειτουργία Super Freeze
- Q Κλείδωμα και ξεκλείδωμα

### Κουμπιά:

- K<sub>1</sub> Κουμπί ρύθμισης Wi-Fi
- K<sub>2</sub> Κουμπί λειτουργίας ECO
- K<sub>3</sub> Κουμπί λειτουργίας Holiday
- K<sub>4</sub> Κουμπί επιλογής ζώνης
- K<sub>5</sub> Κουμπί ρύθμισης θερμοκρασίας "-"
- K<sub>6</sub> Κουμπί ρύθμισης θερμοκρασίας "+"
- K<sub>7</sub> Κουμπί επιλογής λειτουργίας My Zone
- K<sub>8</sub> Κουμπί επιλογής Super Cool
- K<sub>9</sub> Κουμπί επιλογής Super Freeze
- K<sub>10</sub> Κουμπί κλειδώματος και ξεκλειδώματος

## Πλήκτρα αισθητήρων

Τα κουμπιά στον πίνακα ελέγχου είναι πλήκτρα αισθητήρων, τα οποία ανταποκρίνονται ήδη όταν αγγίζονται ελαφρά με το δάχτυλο.

## Αναμμα/σβήσιμο της συσκευής

Η συσκευή λειτουργεί μόλις συνδεθεί με την παροχή ρεύματος.

Όταν ενεργοποιηθεί για πρώτη φορά το ψυγείο, ανάβει η ένδειξη "J" (Ένδειξη θερμοκρασίας). Η θερμοκρασία ψυγείου και η θερμοκρασία καταψύκτη ρυθμίζονται αυτόματα στους 5°C και -18°C αντίστοιχα. Ανάβει η ένδειξη "M" (οθόνη QuickCool).

Η My Zone ρυθμίζεται αυτόματα στη λειτουργία QuickCool.

Ίσως το κλείδωμα του πίνακα να είναι ενεργό.



## ΕΙΔΟΠΟΪΗΣΗ

Όταν η συσκευή είναι ενεργοποιημένη μετά την αποσύνδεση από την κύρια παροχή ρεύματος, μπορεί να χρειαστούν έως και 12 ώρες για να επιτευχθούν οι σωστές θερμοκρασίες.

Αδειάστε τη συσκευή πριν τη σβήσετε. Για να απενεργοποιήσετε τη συσκευή, τραβήξτε το καλώδιο τροφοδοσίας από την πρίζα.

### Κλειδωμα/ξεκλειδωμα πίνακα

Αυτόματο κλειδωμα: Όταν η πόρτα του ψυγείου και η πόρτα του καταψύκτη είναι κλειστές και δεν εκτελεστεί καμία βασική λειτουργία εντός 30 δευτερολέπτων, η οθόνη θα σβήσει αυτόματα και θα κλειδώσει.

Χειροκίνητο κλειδωμα: Όταν η οθόνη είναι ξεκλειδωτή, πατήστε το κουμπί "K<sub>10</sub>" (3S Unlock) και κρατήστε το πατημένο για 3 δευτερόλεπτα. Ακούγεται ο βομβητής μία φορά, φωτίζεται η ένδειξη "Q" (Κλειδωμα πίνακα) και η οθόνη κλειδώνει.

Ξεκλειδωμα: Όταν η οθόνη είναι κλειδωμένη, πατήστε το κουμπί "K<sub>10</sub>" (3S Unlock) και κρατήστε το πατημένο για 3 δευτερόλεπτα. Ακούγεται ο βομβητής μία φορά, η ένδειξη "Q" (Κλειδωμα πίνακα) σβήνει και η οθόνη ξεκλειδώνει.

### Ρύθμιση θερμοκρασίας

Οι εσωτερικές θερμοκρασίες επηρεάζονται από τους ακόλουθους παράγοντες:

Θερμοκρασία περιβάλλοντος, Συχνότητα ανοίγματος της πόρτας, Ποσότητα αποθηκευμένων τροφίμων, ενέργεια εγκατάσταση της συσκευής.

### Ρύθμιση θερμοκρασίας του ψυγείου

Όταν η οθόνη είναι ξεκλειδωτή, πατήστε το κουμπί "K<sub>4</sub>" (επιλογέας ζώνης). Ο βομβητής ακούγεται μία φορά, φωτίζεται η ένδειξη "E" (ένδειξη ψυγείου) και στη συνέχεια εμφανίζεται η λειτουργία ρύθμισης θερμοκρασίας του ψυγείου.

Πατήστε το κουμπί "K<sub>5</sub>" (κουμπί ρύθμισης θερμοκρασίας "-") κάθε φορά, ο βομβητής ακούγεται μία φορά, η ρυθμισμένη θερμοκρασία του ψυγείου θα μειωθεί κατά 1.

Η θερμοκρασία του ψυγείου θα εμφανίζεται με τη διαδοχή "9°C -> 8°C -> 7°C -> 6°C -> 5°C -> 4°C -> 3°C -> 2°C -> 1°C".

Πατήστε το κουμπί "K<sub>6</sub>" (κουμπί ρύθμισης θερμοκρασίας "+") κάθε φορά που ο βομβητής ακούγεται μία φορά η ρυθμισμένη θερμοκρασία του ψυγείου θα αυξηθεί κατά 1. Η θερμοκρασία του ψυγείου θα εμφανίζεται με τη διαδοχή "1°C -> 2°C -> 3°C -> 4°C -> 5°C -> 6°C -> 7°C -> 8°C -> 9°C".



## ΕΙΔΟΠΟΪΗΣΗ

Μετά τη ρύθμιση της θερμοκρασίας, εάν δεν εκτελεστεί κάποια λειτουργία εντός 5 δευτερολέπτων, το σύστημα θα προσδιοριστεί αυτόματα και θα αποθηκεύσει τη ρυθμισμένη θερμοκρασία.

## Ρύθμιση θερμοκρασίας του καταψύκτη

Όταν η οθόνη είναι ξεκλειδωτή, πατήστε το κουμπί "Κ<sub>4</sub>" (επιλογέας ζώνης). Ο βομβητής ακούγεται μία φορά, φωτίζεται η ένδειξη "F" (ένδειξη καταψύκτη) και στη συνέχεια εμφανίζεται η λειτουργία ρύθμισης θερμοκρασίας του καταψύκτη.

Πατήστε το κουμπί "Κ<sub>5</sub>" (κουμπί ρύθμισης θερμοκρασίας "-") κάθε φορά που ο βομβητής ακούγεται μία φορά η ρυθμισμένη θερμοκρασία του καταψύκτη θα μειωθεί κατά 1. Η θερμοκρασία του καταψύκτη θα εμφανίζεται με τη διαδοχή "-14°C -> -15°C -> -16°C->-17°C -> -18°C -> -19°C -> -20°C -> -21°C -> -22°C -> -23°C -> -24°C".

Πατήστε το κουμπί "Κ<sub>6</sub>" (κουμπί ρύθμισης θερμοκρασίας "+") κάθε φορά που ο βομβητής ακούγεται μία φορά η ρυθμισμένη θερμοκρασία του καταψύκτη θα αυξηθεί κατά 1. Η θερμοκρασία του καταψύκτη θα εμφανίζεται με τη διαδοχή "-24°C -> -23°C -> -22°C -> -21°C -> -20°C -> -19°C -> -18°C -> -17°C -> -16°C -> -15°C -> -14°C".



## ΕΙΔΟΠΟΪΗΣΗ

Μετά τη ρύθμιση της θερμοκρασίας, εάν δεν εκτελεστεί κάποια λειτουργία εντός 5 δευτερολέπτων, το σύστημα θα προσδιοριστεί αυτόματα και θα αποθηκεύσει τη ρυθμισμένη θερμοκρασία.

## Λειτουργία Wi-Fi

1. Όταν η οθόνη παρουσίασης είναι ξεκλειδωτή, πατήστε το κουμπί "Κ<sub>1</sub>" (κουμπί λειτουργίας Wi-Fi), ο βομβητής χτυπάει μία φορά, η ένδειξη "B" (λειτουργία Wi-Fi) βρίσκεται σε αναμμένη κατάσταση μέχρι να συνδεθεί. Μετά την επιτυχή σύνδεση, κρατήστε το ενεργοποιημένο για μεγάλο χρονικό διάστημα και στη συνέχεια η λειτουργία Wi-Fi θα ενεργοποιηθεί.
2. Όταν η οθόνη παρουσίασης είναι ξεκλειδωτή, πατήστε το κουμπί "Κ<sub>1</sub>" (κουμπί λειτουργίας Wi-Fi), ο βομβητής χτυπάει μία φορά, η ένδειξη "B" (λειτουργία διασύνδεσης) σβήνει και στη συνέχεια θα σβήσει η λειτουργία Wi-Fi.

## ΚΑΤΑ ΤΗ ΔΙΑΔΙΚΑΣΙΑ ΣΥΝΔΕΣΗΣ ΕΦΑΡΜΟΓΗΣ

<p>Βήμα 1 • Κατεβάστε την εφαρμογή hOn στους σχετικούς χώρους</p> <div style="display: flex; align-items: center;">  <div style="margin-left: 20px;">    </div> </div>	
<p>Βήμα 2 Δημιουργήστε το λογαριασμό σας στην εφαρμογή hOn ή συνδεθείτε εάν έχετε ήδη λογαριασμό</p> 	<p>Βήμα 3 Ακολουθήστε τις οδηγίες σύζευξης της εφαρμογής hOn</p> 

## Λειτουργία ECO

1. Όταν η οθόνη παρουσίασης είναι ξεκλειδωτη, πατήστε το κουμπί "K<sub>2</sub>" (κουμπί λειτουργίας ECO), ο βομβητής χτυπάει μία φορά, η ένδειξη "C" (λειτουργία ECO) φωτίζεται και στη συνέχεια θα ενεργοποιηθεί η λειτουργία ECO.
2. Όταν η οθόνη παρουσίασης είναι ξεκλειδωτη, πατήστε το κουμπί "K<sub>2</sub>" (κουμπί λειτουργίας ECO), ο βομβητής χτυπάει μία φορά, η ένδειξη "C" (λειτουργία ECO) σβήνει και στη συνέχεια θα σβήσει η λειτουργία ECO.

## Λειτουργία Holiday

1. Όταν η οθόνη παρουσίασης είναι ξεκλειδωτη, πατήστε το κουμπί "K<sub>3</sub>" (κουμπί λειτουργίας Holiday), ο βομβητής χτυπάει μία φορά, η ένδειξη "D" (λειτουργία Holiday) φωτίζεται και στη συνέχεια θα ενεργοποιηθεί η λειτουργία Holiday.
2. Όταν η οθόνη παρουσίασης είναι ξεκλειδωτη, πατήστε το κουμπί "K<sub>3</sub>" (κουμπί λειτουργίας Holiday), ο βομβητής χτυπάει μία φορά, η ένδειξη "D" (λειτουργία Holiday) σβήνει και στη συνέχεια θα σβήσει η λειτουργία Holiday.



## ΕΙΔΟΠΟΪΗΣΗ

1. Η λειτουργία Holiday χρησιμοποιείται κυρίως για βραχυπρόθεσμα ταξίδια και άλλες τακτικές απουσίες και ο χώρος του ψυγείου πρέπει να αδειάζει όταν χρησιμοποιείτε τη λειτουργία Holiday.
2. Κατά τη λειτουργία Holiday, η θερμοκρασία του χώρου του ψυγείου θα είναι υψηλότερη (περίπου 17°C), δώστε προσοχή στο άδειασμα των τροφίμων από τον χώρο του ψυγείου για να αποτραπεί η αλλοίωση των τροφίμων.
3. Στη λειτουργία Holiday, η ρύθμιση των εικονιδίων "Fruit&Veg, QuickCool, 0°C Fresh" στο Myzone θα απενεργοποιηθεί και η θερμοκρασία του Myzone δεν θα μπορεί να ρυθμιστεί. Ο θάλαμος ψυγείου και το Myzone θα εμφανίσουν την προηγούμενη ρύθμιση μόλις εξέλθετε από τη λειτουργία Holiday.

## Λειτουργία Super Cool

1. Όταν η οθόνη είναι ξεκλειδωτή, πατήστε το κουμπί "K<sub>8</sub>" (επιλογέας Super Cool), ο βομβητής ακούγεται μία φορά, η ένδειξη "O" (λειτουργία Super Cool) φωτίζεται και στη συνέχεια θα ενεργοποιηθεί η λειτουργία Super Cool.
2. Όταν φωτίζεται η ένδειξη "O" (λειτουργία Super Cool), πατήστε το κουμπί "K<sub>8</sub>" (επιλογέας Super Cool), ο βομβητής ακούγεται μία φορά, η ένδειξη "O" (λειτουργία Super Cool) σβήνει και στη συνέχεια θα σβήσει η λειτουργία Super Cool.
3. Αφού ενεργοποιηθεί η λειτουργία Super Cool, το ψυγείο θα απενεργοποιηθεί αυτόματα τη λειτουργία όταν φτάσει στη ρυθμισμένη θερμοκρασία. Αν θέλετε να εξέλθετε με μη αυτόματο τρόπο, μπορείτε να πατήσετε το κουμπί "K<sub>8</sub>" (επιλογέας Super Cool) για να την απενεργοποιήσετε.



## ΕΙΔΟΠΟΪΗΣΗ

1. Όταν η λειτουργία Super cool είναι ενεργοποιημένη, η θερμοκρασία του ψυγείου δεν μπορεί να προσαρμοστεί. Εάν πατήσετε το κουμπί "K<sub>5</sub>" (κουμπί ρύθμισης θερμοκρασίας "-") ή το κουμπί "K<sub>6</sub>" (κουμπί ρύθμισης θερμοκρασίας "+") για να ρυθμίσετε τη θερμοκρασία του ψυγείου, η ένδειξη "O" (ένδειξη Super Cool) θα αναβοσβήσει με έναν προειδοποιητικό ήχο για να υποδείξει ότι αυτή η λειτουργία δεν μπορεί να εκτελεστεί.
2. Όταν η λειτουργία Super cool είναι ενεργοποιημένη, δεν μπορεί να ενεργοποιηθεί ταυτόχρονα η λειτουργία Auto-set λόγω διαφορετικών λειτουργιών ελέγχου. Όταν επιλέγετε μια λειτουργία που έρχεται σε διένεξη με μια άλλη λειτουργία, η αρχική λειτουργία θα τερματίζεται αυτόματα.
3. Αυτή η λειτουργία θα απενεργοποιηθεί αυτόματα μετά από 4 ώρες.

## Λειτουργία Super Freeze

1. Όταν η οθόνη παρουσίασης είναι ξεκλειδωτή, πατήστε το κουμπί "K<sub>9</sub>" (επιλογέας Super Freeze), ο βομβητής ακούγεται μία φορά, η ένδειξη "P" (λειτουργία Super Freeze) φωτίζεται και στη συνέχεια η λειτουργία Super Freeze θα ενεργοποιηθεί.
2. Όταν φωτίζεται η ένδειξη "P" (λειτουργία Super Freeze), πατήστε το κουμπί "K<sub>9</sub>" (επιλογέας Super Freeze), ο βομβητής ακούγεται μία φορά, η ένδειξη "P" (λειτουργία Super Freeze) σβήνει και στη συνέχεια η λειτουργία Super Freeze θα απενεργοποιηθεί.

3. Αφού ενεργοποιηθεί η λειτουργία Super Freeze, το ψυγείο θα απενεργοποιήσει αυτόματα τη λειτουργία όταν φτάσει στη ρυθμισμένη θερμοκρασία. Αν θέλετε να εξέλθετε με μη αυτόματο τρόπο, μπορείτε να πατήσετε το κουμπί "Κ<sub>9</sub>" (επιλογέας Super Freeze) για να την απενεργοποιήσετε.



## ΕΙΔΟΠΟΪΗΣΗ

- Όταν η λειτουργία Super Freeze είναι ενεργοποιημένη, η θερμοκρασία του καταψύκτη δεν μπορεί να προσαρμοστεί. Εάν πατήσετε το κουμπί "Κ<sub>5</sub>" (κουμπί ρύθμισης θερμοκρασίας "-") ή το κουμπί "Κ<sub>6</sub>" (κουμπί ρύθμισης θερμοκρασίας "+") για να ρυθμίσετε τη θερμοκρασία του καταψύκτη, η ένδειξη "P" (ένδειξη Super Freeze) θα αναβοσβήσει με έναν προειδοποιητικό ήχο για να υποδείξει ότι αυτή η λειτουργία δεν μπορεί να εκτελεστεί.
- Η λειτουργία Super Freeze έχει σχεδιαστεί για να διατηρεί τη θρεπτική αξία των κατεψυγμένων τροφίμων, καταψύχει τα τρόφιμα σε σύντομο χρονικό διάστημα. Εάν πρόκειται να καταψύξετε μεγάλες ποσότητες κατεψυγμένων τροφίμων ταυτόχρονα. Εν τω μεταξύ, η λειτουργία Super Freeze θα πρέπει να ρυθμιστεί 24 ώρες νωρίτερα, ώστε ο καταψύκτης να έχει σχετικά χαμηλή θερμοκρασία για να τοποθετηθούν τα τρόφιμα. Σε αυτό το χρονικό διάστημα, η ταχύτητα κατάψυξης του καταψύκτη έχει βελτιωθεί, τα τρόφιμα μπορούν να καταψυχθούν γρήγορα, τα θρεπτικά συστατικά των τροφίμων διατηρούνται αποτελεσματικά και η αποθήκευση είναι βολική.
- Η λειτουργία Super Freeze θα απενεργοποιηθεί αυτόματα μετά από 50 ώρες. Η συσκευή λειτουργεί στη συνέχεια με την προηγούμενη ρυθμισμένη θερμοκρασία.

## Επιλογή λειτουργίας My Zone

Όταν η οθόνη παρουσίασης είναι ξεκλειδωτή, πατήστε το κουμπί "Κ<sub>7</sub>" (κουμπί λειτουργίας My Zone), ο βομβητής χτυπάει μία φορά, η ένδειξη "L" (λειτουργία Fruit&Veg) φωτίζεται και στη συνέχεια θα ενεργοποιηθεί η λειτουργία Fruit&Veg. Εάν πατηθεί ένα από τα δύο κουμπιά "Κ<sub>7</sub>" για την επιλογή της λειτουργίας My Zone, ο βομβητής ηχεί ξανά και η ένδειξη "M" (λειτουργία Quick Cool) φωτίζεται και στη συνέχεια θα ενεργοποιηθεί η λειτουργία QuickCool. Οι επιλογές της λειτουργίας My Zone είναι "Fruit&Veg, QuickCool και 0°C Fresh" με τη σειρά.



## ΕΙΔΟΠΟΪΗΣΗ

- Όταν το ψυγείο ενεργοποιείται για πρώτη φορά, φωτίζεται η ένδειξη "L", το My Zone ρυθμίζεται αυτόματα στη λειτουργία QuickCool. Μία από τις τρεις ενδείξεις My Zone πρέπει να είναι αναμμένη. Όταν επιλέγετε ξανά τη λειτουργία My Zone, δεν είναι δυνατή η επιλογή της προηγούμενης αναμμένης ένδειξης My Zone. Μόνο μία από τις τρεις λειτουργίες μπορεί να ρυθμιστεί. Οι τρεις λειτουργίες είναι αμοιβαία αποκλειόμενες.
- Ο αριθμός ρύθμισης της θερμοκρασίας αποθήκευσης My Zone δεν μπορεί να είναι υψηλότερος από τον αριθμό ρύθμισης της θερμοκρασίας ψυγείου.
- Για να μειώσετε τη θερμοκρασία του θαλάμου ψυγείου χρησιμοποιήστε τη λειτουργία 0°C Fresh. Για να την αυξήσετε, χρησιμοποιήστε τη λειτουργία Fruit&Veg.

## Συρτάρι My Zone

Ο θάλαμος ψυγείου είναι εξοπλισμένος με συρτάρι My Zone. Ανάλογα με τις απαιτήσεις αποθήκευσης τροφίμων, μπορεί να επιλεγεί η καταλληλότερη θερμοκρασία για να επιτευχθεί η βέλτιστη θρεπτική αξία των τροφίμων. Είναι διαθέσιμες οι ακόλουθες λειτουργίες.

### Λειτουργία Fruit&Veg

Αυτή η λειτουργία είναι κατάλληλη για την αποθήκευση φρούτων και λαχανικών όπως μήλα και καρότα κ.λπ.

### Λειτουργία QuickCool

Αυτή η λειτουργία είναι κατάλληλη για την αποθήκευση ποτών όπως κόκα κόλα και μπίρα κ.λπ.



## ΕΙΔΟΠΟΪΗΣΗ : Fruit&Veg

Φρούτα ευαίσθητα στο κρύο όπως ανανάς, αβοκάντο, μπανάνες, γκρέιπφρουτ και λαχανικά όπως πατάτες, μελιτζάνες, φασόλια, αγγούρια, κολοκυθάκια και ντομάτες και τυρί δεν θα πρέπει να αποθηκεύονται στο συρτάρι My Zone.

### Λειτουργία 0°C Fresh

Αυτή η λειτουργία θέτει τη θερμοκρασία στο συρτάρι My Zone στους 0°C. Κατάλληλη για την αποθήκευση φρέσκων τροφίμων, όπως κρέας ή προϊόντων στιγμιαίας παρασκευής. Τα περισσότερα τρόφιμα παραμένουν φρέσκα στους 0°C, αλλά δεν καταψύχονται.



## ΕΙΔΟΠΟΪΗΣΗ : 0°C Fresh

1. Λόγω της διαφορετικής περιεκτικότητας του κρέατος σε νερό, ορισμένα κρέατα με περισσότερη υγρασία θα καταψυχθούν σε θερμοκρασίες χαμηλότερες από 0°C. Έτσι, το "φρεσκοκομμένο" κρέας θα πρέπει να αποθηκεύεται στο συρτάρι My Zone, με θερμοκρασίες τουλάχιστον 0°C.
2. Όταν επιλέξετε «0°C Fresh» ρυθμίστε τη θερμοκρασία του θαλάμου ψύξης στο χαμηλό επίπεδο (κάτω των 5°C), προκειμένου να συντηρήσετε το φαγητό σας στο βέλτιστο περιβάλλον αποθήκευσης.

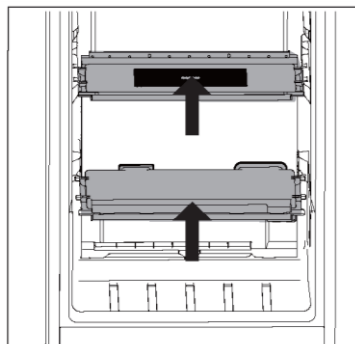
## Συρτάρι Humidity Zone

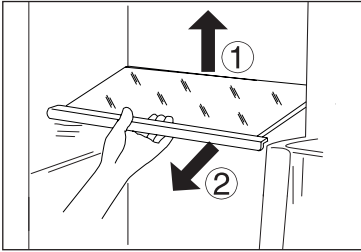
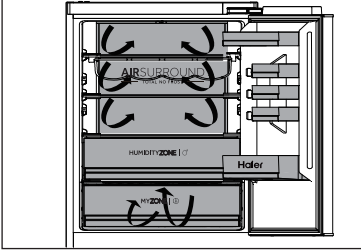
Σε αυτό το τμήμα, το επίπεδο υγρασίας είναι υψηλότερο από ότι στο θάλαμο ψυγείου. Ελέγχεται αυτόματα από το σύστημα και είναι κατάλληλο για την αποθήκευση φρούτων, λαχανικών, σαλάτας κ.λπ.



## ΕΙΔΟΠΟΪΗΣΗ

1. Μην αφαιρείτε το πλαστικό κάλυμμα μέσα στις δύο ζώνες.
2. Διατηρούν την υγρασία.
3. Φρούτα ευαίσθητα στο κρύο όπως ο ανανάς, το αβοκάντο, οι μπανάνες και τα γκρέιπφρουτ δεν συνιστάται να αποθηκεύονται σε αυτά τα δύο συρτάρια.





### Πολλαπλή ροή αέρα

1. Το ψυγείο είναι εξοπλισμένο με σύστημα πολλαπλών ροών αέρα, το οποίο παρέχει ροή κρύου αέρα σε κάθε επίπεδο στα ράφια. Αυτό βοηθά στη διατήρηση μιας ομοιόμορφης θερμοκρασίας για να διασφαλιστεί ότι το φαγητό σας διατηρείται πιο φρέσκο για μεγαλύτερο χρονικό διάστημα.

### Ρυθμιζόμενα ράφια

1. Το ύψος των ραφιών μπορεί να ρυθμιστεί ώστε να ταιριάζει στις ανάγκες αποθήκευσης.
2. Για να μετακινήσετε ένα ράφι, αφαιρέστε το πρώτα ανυψώνοντας την οπίσθια άκρη του ① και τραβώντας το έξω ②.
3. Για να το επανατοποθετήσετε, τοποθετήστε το στις υποδοχές και στις δύο πλευρές και σπρώξτε το στην πίσω θέση μέχρι το πίσω μέρος του ραφιού να στερεωθεί στις πλαϊνές σχισμές

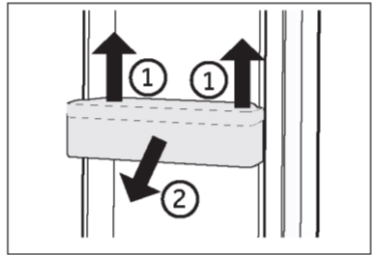


## ΕΙΔΟΠΟΪΗΣΗ

Βεβαιωθείτε ότι όλα τα άκρα ενός ραφιού είναι επίπεδα.

### Αφαιρούμενες σχάρες πόρτας/αφαιρούμενη μπουκαλοθήκη

1. Τα ράφια των πορτών μπορούν να αφαιρεθούν για καθαρισμό:
2. Τοποθετήστε τα χέρια σε κάθε πλευρά της σχάρας, σηκώστε την προς τα πάνω ① και τραβήξτε την προς τα έξω ②.
3. Για την εισαγωγή της σχάρας της πόρτας, τα παραπάνω βήματα πραγματοποιούνται με αντίστροφη σειρά.



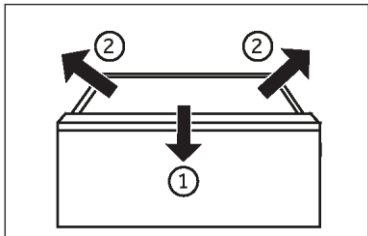
## ΕΙΔΟΠΟΪΗΣΗ

Όταν η συσκευή είναι ενεργοποιημένη, μπορεί να χρειαστούν έως και 12 ώρες για να επιτευχθούν οι σωστές θερμοκρασίες.

### Αφαιρούμενο συρτάρι

Για να αφαιρέσετε το συρτάρι προς τα έξω, τραβήξτε προς τα έξω στο μέγιστο βαθμό ①, σηκώστε και αφαιρέστε ②

Για την τοποθέτηση του συρταριού, τα παραπάνω βήματα γίνονται με αντίστροφη σειρά.



### Το φως

Το εσωτερικό φως LED ανάβει όταν ανοίγει η πόρτα. Η απόδοση των φώτων δεν επηρεάζεται από καμία από τις άλλες ρυθμίσεις της συσκευής.





## Συμβουλές εξοικονόμησης ενέργειας

- ▶ Βεβαιωθείτε ότι η συσκευή αερίζεται σωστά (δείτε ΕΓΚΑΤΑΣΤΑΣΗ).
- ▶ Μην εγκαθιστάτε τη συσκευή σε σημείο με άμεσο ηλιακό φως ή κοντά σε πηγές θερμότητας (π.χ. σόμπες, θερμαντήρες).
- ▶ Αποφύγετε την άσκοπα χαμηλή θερμοκρασία στη συσκευή. Η κατανάλωση ενέργειας αυξάνεται όσο χαμηλότερη είναι η θερμοκρασία στη συσκευή.
- ▶ Λειτουργίες όπως η Super Freeze καταναλώνουν περισσότερη ενέργεια.
- ▶ Αφήστε το ζεστό φαγητό να κρυώσει πριν το τοποθετήσετε μέσα στη συσκευή.
- ▶ Να ανοίγετε την πόρτα της συσκευής όσο το δυνατόν λιγότερες φορές και για όσο πιο σύντομα γίνεται.
- ▶ Μην γεμίζετε και φορτώνετε υπερβολικά τη συσκευή για να αποφύγετε τη φραγή του αέρα χαμηλά.
- ▶ Αποφύγετε να υπάρχει αέρας μέσα στη συσκευασία των τροφίμων.
- ▶ Διατηρείτε τα λάστιχα της πόρτας καθαρά, ώστε η πόρτα να κλείνει πάντα σωστά.
- ▶ Να αποψύχετε τα κατεψυγμένα τρόφιμα στο χώρο αποθήκευσης του ψυγείου.
- ▶ Η διαμόρφωση εξοικονόμησης ενέργειας απαιτεί τη διατήρηση του συρταριού, του κουτιού τροφίμων και των ραφιών όπως ακριβώς είναι, δηλαδή στην εργοστασιακή τους κατάσταση, και την τοποθέτηση των τροφίμων με τέτοιο τρόπο, ώστε να μην εμποδίζεται η έξοδος αεραγωγού.



## ΠΡΟΕΙΔΟΠΟΙΗΣΗ!

Αποσυνδέστε τη συσκευή από την τροφοδοσία πριν από τον καθαρισμό.

### Καθαρισμός

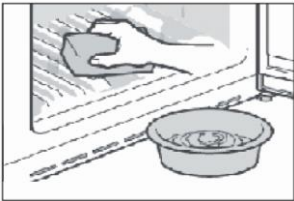
Καθαρίστε τη συσκευή μόνο όταν υπάρχουν αποθηκευμένα λίγα ή καθόλου τρόφιμα.

Η συσκευή πρέπει να καθαρίζεται κάθε τέσσερις εβδομάδες για καλή συντήρηση και για την αποφυγή αποθηκευμένων τροφίμων με δυσάρεστες οσμές.



## ΠΡΟΕΙΔΟΠΟΙΗΣΗ!

- ▶ Μην καθαρίζετε τη συσκευή με σκληρές βούρτσες, συρμάτινες βούρτσες, σκόνη απορρυπαντικού, βενζίνη, οξικό αμύλιο, ακετόνη και παρόμοια οργανικά διαλύματα, όξινα ή αλκαλικά διαλύματα. Καθαρίστε με ειδικό απορρυπαντικό ψυγείου για να αποφύγετε ζημιές.
- ▶ Μην ψεκάζετε ή ξεπλένετε τη συσκευή κατά τον καθαρισμό.
- ▶ Μην χρησιμοποιείτε σπρέι νερού ή ατμό για να καθαρίσετε τη συσκευή.
- ▶ Μην καθαρίζετε τα κρύα γυάλινα ράφια με ζεστό νερό. Η απότομη αλλαγή θερμοκρασίας μπορεί να προκαλέσει το σπάσιμο του γυαλιού.
- ▶ Μην αγγίζετε την εσωτερική επιφάνεια του χώρου αποθήκευσης του καταψύκτη, ειδικά με βρεγμένα χέρια, καθώς τα χέρια σας μπορεί να παγώσουν στην επιφάνεια.
- ▶ Σε περίπτωση θέρμανσης ελέγξτε την κατάσταση των κατεψυγμένων αγαθών.



- ▶ Διατηρείτε πάντα το λάστιχο της πόρτας καθαρό.
- ▶ Καθαρίστε το εσωτερικό και το περίβλημα της συσκευής με ένα σφουγγάρι βρεγμένο σε ζεστό νερό και ουδέτερο απορρυπαντικό.
- ▶ 1. Τρίψτε το εσωτερικό και το εξωτερικό του ψυγείου, συμπεριλαμβανομένων των λάστιχων της πόρτας, της σχάρας της πόρτας, των γυάλινων ραφιών, των κουπιών και ούτω καθεξής, με μια μαλακή πετσέτα ή ένα σφουγγάρι βουτηγμένο σε ζεστό νερό (μπορείτε να προσθέσετε ουδέτερο απορρυπαντικό στο ζεστό νερό).
- ▶ 2. Εάν χυθεί υγρό, αφαιρέστε όλα τα μολυσμένα μέρη, ξεπλύνετε απευθείας με το νερό ροής, στεγνώστε και τοποθετήστε το πίσω στο ψυγείο.
- ▶ 3. Εάν υπάρχει χυμένη κρέμα (όπως η κρέμα γάλακτος, το παγωτό που λιώνει), αφαιρέστε όλα τα μολυσμένα μέρη, βάλτε στο ζεστό νερό με περίπου 40°C για κάποιο χρονικό διάστημα, στη συνέχεια ξεπλύνετε με το νερό ροής, στεγνώστε και τοποθετήστε το ξανά στο ψυγείο.
- ▶ 4. Σε περίπτωση που κάποιο μικρό μέρος ή εξάρτημα κολλήσει μέσα στο ψυγείο (ανάμεσα σε ράφια ή συρτάρια), χρησιμοποιήστε μια μικρή μαλακή βούρτσα για να το απελευθερώσετε. Εάν δεν μπορείτε να έχετε πρόσβαση στο εξάρτημα, επικοινωνήστε με το σέρβις Haier
- ▶ Ξεπλύνετε και στεγνώστε με μαλακό πανί.
- ▶ Μην καθαρίζετε κανένα από τα μέρη της συσκευής σε πλυντήριο πιάτων.
- ▶ Αφήστε τουλάχιστον 5 λεπτά πριν από την επανεκκίνηση της συσκευής, καθώς η συχνή εκκίνηση μπορεί να προκαλέσει ζημιά στον συμπιεστή.

### Απόψυξη

Η απόψυξη των θαλάμων του ψυγείου και της κατάψυξης γίνεται αυτόματα, δεν απαιτείται χειροκίνητη λειτουργία.

**Αντικατάσταση των λυχνιών LED****ΠΡΟΕΙΔΟΠΟΙΗΣΗ!**

Μην αντικαθιστάτε μόνοι σας τον λαμπτήρα LED, πρέπει να αντικατασταθεί μόνον από τον κατασκευαστή ή από τον εξουσιοδοτημένο αντιπρόσωπο σέρβις.

Ο λαμπτήρας υιοθετεί το LED ως πηγή φωτός του, που χαρακτηρίζεται για τη χαμηλή κατανάλωση ενέργειας και τη μακριά διάρκεια ζωής. Εάν υπάρχει κάποια ανωμαλία, επικοινωνήστε με την εξυπηρέτηση πελατών. Δείτε την ενότητα ΕΞΥΠΗΡΕΤΗΣΗ ΠΕΛΑΤΩΝ.

Παράμετροι του λαμπτήρα:

Θάλαμος ψυγείου: 12 V μέγιστο 2 W

Θάλαμος καταψύκτη: 12 V μέγιστο 2 W

**Να μην χρησιμοποιείται για μεγαλύτερα διαστήματα**

Εάν η συσκευή δεν χρησιμοποιηθεί για μεγάλο χρονικό διάστημα και δεν σκοπεύετε να χρησιμοποιήσετε τη λειτουργία Holiday για το ψυγείο:

Αφαιρέσετε τα τρόφιμα.

Αποσυνδέστε το καλώδιο τροφοδοσίας.

Καθαρίστε τη συσκευή, όπως περιγράφεται παραπάνω.

Διατηρήστε τις πόρτες ανοικτές για να αποτρέψετε τη δημιουργία δυσοσμίας στο εσωτερικό.

**ΕΙΔΟΠΟΪΗΣΗ**

Απενεργοποιήστε τη συσκευή μόνο εάν είναι απολύτως απαραίτητο.

**Μετακίνηση της συσκευής**

1. Αφαιρέστε όλα τα τρόφιμα και αποσυνδέστε τη συσκευή.
2. Ασφαλίστε τα ράφια και τα άλλα κινητά μέρη στο ψυγείο και στον καταψύκτη με κολλητική ταινία.
3. Μην γέρνετε το ψυγείο περισσότερο από 45° ώστε να αποφύγετε ζημιά στο ψυκτικό σύστημα.

**ΠΡΟΕΙΔΟΠΟΙΗΣΗ!**

- ▶ Μην σηκώνετε τη συσκευή από τις λαβές της.
- ▶ Μην τοποθετείτε ποτέ τη συσκευή οριζόντια στο έδαφος.

Πολλά προβλήματα που παρουσιάζονται θα μπορούσαν να επιλυθούν από τον εαυτό σας χωρίς ειδική εμπειρογνώμοσύνη. Σε περίπτωση προβλήματος, ελέγξτε όλες τις εμφανιζόμενες δυνατότητες και ακολουθήστε τις παρακάτω οδηγίες προτού επικοινωνήσετε με το τμήμα εξυπηρέτησης πελατών μετά την πώληση. Δείτε την ενότητα ΕΞΥΠΗΡΕΤΗΣΗ ΠΕΛΑΤΩΝ.



## ΠΡΟΕΙΔΟΠΟΙΗΣΗ!

- ▶ Πριν από τη συντήρηση, απενεργοποιήστε τη συσκευή και αποσυνδέστε το φως από την πρίζα.
- ▶ Ο ηλεκτρικός εξοπλισμός πρέπει να συντηρείται μόνο από εξειδικευμένους ηλεκτρολόγους, επειδή οι ακατάλληλες επισκευές μπορούν να προκαλέσουν σημαντικές επακόλουθες ζημιές.
- ▶ Μια κατεστραμμένη τροφοδοσία θα πρέπει να αντικατασταθεί από τον κατασκευαστή ή τον αντιπρόσωπο του σέρβις ή παρόμοια εξουσιοδοτημένα πρόσωπα, προς αποφυγή του κινδύνου.

Πρόβλημα	Πιθανή αιτία	Πιθανή λύση
Ο συμπιεστής δεν λειτουργεί.	<ul style="list-style-type: none"> <li>• Το βύσμα δικτύου δεν είναι συνδεδεμένο στην πρίζα.</li> <li>• Η συσκευή βρίσκεται στον κύκλο απόψυξης</li> </ul>	<ul style="list-style-type: none"> <li>• Συνδέστε την πρίζα.</li> <li>• Αυτό είναι φυσιολογικό για αυτόματα απόψυξη</li> </ul>
Η συσκευή λειτουργεί συχνά ή λειτουργεί για πολύ μεγάλο χρονικό διάστημα.	<ul style="list-style-type: none"> <li>• Η εσωτερική και η εξωτερική θερμοκρασία είναι πολύ υψηλή.</li> <li>• Η συσκευή απενεργοποιήθηκε για ένα χρονικό διάστημα.</li> <li>• Η πόρτα της συσκευής δεν είναι ερμητικά κλειστή.</li> <li>• Η πόρτα ανοίγει πολύ συχνά ή για μεγάλα χρονικά διαστήματα.</li> <li>• Η ρύθμιση θερμοκρασίας για την κατάψυξη είναι πολύ χαμηλή.</li> <li>• Το λάστιχο της πόρτας είναι βρώμικο, έχει φθαρεί, έχει ρωγμές ή δεν ταιριάζει.</li> <li>• Η απαιτούμενη κυκλοφορία του αέρα δεν είναι εγγυημένη.</li> </ul>	<ul style="list-style-type: none"> <li>• Είναι φυσιολογικό η συσκευή να λειτουργεί περισσότερο.</li> <li>• Κανονικά, χρειάζονται 8 έως 12 ώρες για να κρυώσει εντελώς η συσκευή.</li> <li>• Κλείστε την πόρτα / συρτάρι και βεβαιωθείτε ότι η συσκευή βρίσκεται σε επίπεδη επιφάνεια και ότι δεν υπάρχει τροφή ή δοχείο που να «χτυπά» πάνω στην πόρτα.</li> <li>• Μην ανοίγετε την πόρτα / το συρτάρι πολύ συχνά.</li> <li>• Ρυθμίστε τη θερμοκρασία ψηλότερα μέχρι να ληφθεί ικανοποιητική θερμοκρασία ψυγείου. Χρειάζονται 24 ώρες για να σταθεροποιηθεί η θερμοκρασία του ψυγείου.</li> <li>• Καθαρίστε την πόρτα/το φλάουτο του συρταριού ή αντικαταστήστε τα από την εξυπηρέτηση πελατών.</li> <li>• Εξασφαλίστε επαρκή αερισμό.</li> </ul>
Το εσωτερικό του ψυγείου είναι βρώμικο ή/και μυρίζει άσχημα.	<ul style="list-style-type: none"> <li>• Το εσωτερικό του ψυγείου χρειάζεται καθαρισμό.</li> <li>• Τα τρόφιμα με έντονη οσμή αποθηκεύονται στο ψυγείο.</li> </ul>	<ul style="list-style-type: none"> <li>• Καθαρίστε το εσωτερικό του ψυγείου.</li> <li>• Τυλίξτε καλά το φαγητό.</li> </ul>

Πρόβλημα	Πιθανή αιτία	Πιθανή λύση
Δεν υπάρχει αρκετή ψύξη στο εσωτερικό της συσκευής	<ul style="list-style-type: none"> <li>• Η θερμοκρασία είναι πολύ υψηλή.</li> <li>• Πολύ ζεστά αγαθά έχουν αποθηκευτεί.</li> <li>• Πάρα πολύ φαγητό έχει αποθηκευτεί ταυτόχρονα.</li> <li>• Τα αγαθά είναι πολύ κοντά το ένα στο άλλο.</li> <li>• Η πόρτα / συρτάρι της συσκευής δεν είναι κλειστά.</li> <li>• Η πόρτα/το συρτάρι ανοίγει πολύ συχνά ή για μεγάλα χρονικά διαστήματα.</li> </ul>	<ul style="list-style-type: none"> <li>• Επαναφέρετε τη θερμοκρασία.</li> <li>• Πάντα να ψύχετε τα αγαθά πριν τα αποθηκεύετε.</li> <li>• Να αποθηκεύετε πάντα μικρές ποσότητες τροφίμων.</li> <li>• Αφήστε ένα κενό μεταξύ πολλών τροφίμων που επιτρέπουν τη ροή του αέρα.</li> <li>• Κλείστε την πόρτα / τα συρτάρι.</li> <li>• Μην ανοίγετε την πόρτα / το συρτάρι πολύ συχνά.</li> </ul>
Υπάρχει αρκετή ψύξη στο εσωτερικό της συσκευής.	<ul style="list-style-type: none"> <li>• Η θερμοκρασία είναι πολύ χαμηλή.</li> <li>• Η λειτουργία Super Freeze/Super Cool είναι ενεργοποιημένη ή λειτουργεί για μεγάλο διάστημα.</li> </ul>	<ul style="list-style-type: none"> <li>• Επαναφέρετε τη θερμοκρασία.</li> <li>• Απενεργοποιήστε τη λειτουργία Super Freeze/Super Cool</li> </ul>
Σχηματισμός υγρασίας στο εσωτερικό του ψυγείου.	<ul style="list-style-type: none"> <li>• Το κλίμα είναι πολύ ζεστό και πολύ υγρό.</li> <li>• Η πόρτα / συρτάρι της συσκευής δεν είναι κλειστά.</li> <li>• Η πόρτα/το συρτάρι ανοίγει πολύ συχνά ή για μεγάλα χρονικά διαστήματα.</li> <li>• Τα δοχεία τροφίμων ή τα υγρά παραμένουν ανοιχτά.</li> </ul>	<ul style="list-style-type: none"> <li>• Αυξήστε τη θερμοκρασία.</li> <li>• Κλείστε την πόρτα / τα συρτάρι.</li> <li>• Μην ανοίγετε την πόρτα / το συρτάρι πολύ συχνά.</li> <li>• Αφήστε τα ζεστά τρόφιμα να κρυώσουν σε θερμοκρασία δωματίου και καλύψτε τα τρόφιμα και τα υγρά.</li> </ul>
Η υγρασία συσσωρεύεται στα ψυγεία έξω από την επιφάνεια ή ανάμεσα στις πόρτες / την πόρτα και τα συρτάρι.	<ul style="list-style-type: none"> <li>• Το κλίμα είναι πολύ ζεστό και πολύ υγρό.</li> <li>• Η πόρτα δεν είναι ερμητικά κλειστή. Ο κρύος αέρας στη συσκευή και ο ζεστός αέρας έξω από αυτήν συμπυκνώνονται.</li> </ul>	<ul style="list-style-type: none"> <li>• Αυτό είναι φυσιολογικό σε υγρό κλίμα και θα αλλάξει όταν μειώνεται η υγρασία.</li> <li>• Βεβαιωθείτε ότι η πόρτα/το συρτάρι είναι καλά κλειστά.</li> </ul>
Το φως της οθόνης λειτουργεί αλλά δεν αισθάνεται δροσερό.	<ul style="list-style-type: none"> <li>• Είναι σε λειτουργία επίδειξης.</li> </ul>	<p>Σημειώστε σε τι κατάσταση βρίσκεται, εάν είναι σε λειτουργία επίδειξης, βγείτε από αυτήν.</p> <p>Έξοδος: Κρατήστε πατημένο το κουμπί "ECO" και κάντε κλικ στο πλήκτρο "Super Freeze" 5 φορές σε 5 δευτερόλεπτα.</p>

Πρόβλημα	Πιθανή αιτία	Πιθανή λύση
Ισχυρός πάγος και παγετός στο διαμέρισμα του καταψύκτη.	<ul style="list-style-type: none"> <li>• Τα εμπορεύματα δεν είχαν συσκευαστεί επαρκώς.</li> <li>• Η πόρτα / συρτάρι της συσκευής δεν είναι κλειστά.</li> <li>• Η πόρτα/το συρτάρι ανοίγει πολύ συχνά ή για μεγάλα χρονικά διαστήματα.</li> <li>• Το λάστιχο πόρτας/συρταριού είναι βρώμικο, φθαρμένο, ραγισμένο ή παράταιρο.</li> <li>• Κάτι στο εσωτερικό εμποδίζει την πόρτα / συρτάρι να κλείσει σωστά.</li> </ul>	<ul style="list-style-type: none"> <li>• Πάντα να συσκευάζετε καλά τα προϊόντα.</li> <li>• Κλείστε την πόρτα / τα συρτάρια.</li> <li>• Μην ανοίγετε την πόρτα / το συρτάρι πολύ συχνά.</li> <li>• Καθαρίστε την τσιμούχα πόρτας/συρταριού ή αντικαταστήστε την με νέα.</li> <li>• Επανατοποθετήστε τα ράφια, τα ράφια των θυρών ή τα εσωτερικά δοχεία για να επιτρέψετε στο κλείσιμο της πόρτας / συρταριού.</li> </ul>
Οι πλευρές του ντουλαπιού και της λωρίδας της πόρτας θερμαίνονται.	<ul style="list-style-type: none"> <li>• -</li> </ul>	<ul style="list-style-type: none"> <li>• Αυτό είναι φυσιολογικό.</li> </ul>
Η συσκευή κάνει αφύσικους ήχους.	<ul style="list-style-type: none"> <li>• Η συσκευή δεν βρίσκεται σε επίπεδο έδαφος.</li> <li>• Η συσκευή αγγίζει κάποιο αντικείμενο γύρω της.</li> </ul>	<ul style="list-style-type: none"> <li>• Ρυθμίστε τα πόδια για να ισιώσετε τη συσκευή.</li> <li>• Αφαιρέστε τα αντικείμενα γύρω από τη συσκευή.</li> </ul>
Ένας ελαφρύς ήχος πρέπει να ακούγεται παρόμοιος με αυτόν του ρέοντος νερού.	<ul style="list-style-type: none"> <li>• -</li> </ul>	<ul style="list-style-type: none"> <li>• Αυτό είναι φυσιολογικό.</li> </ul>
Θα ακούσετε ένα ηχητικό σήμα συναγερμού.	<ul style="list-style-type: none"> <li>• Η πόρτα του χώρου αποθήκευσης ψυγείου είναι ανοιχτή.</li> </ul>	<ul style="list-style-type: none"> <li>• Κλείστε την πόρτα.</li> </ul>
Θα ακούσετε ένα αγνό βουητό.	<ul style="list-style-type: none"> <li>• Το σύστημα κατά της συμπύκνωσης λειτουργεί</li> </ul>	<ul style="list-style-type: none"> <li>• Αυτό αποτρέπει τη συμπύκνωση και είναι φυσιολογικό</li> </ul>
Το σύστημα εσωτερικού φωτισμού ή ψύξης δεν λειτουργεί.	<ul style="list-style-type: none"> <li>• Το βύσμα δικτύου δεν είναι συνδεδεμένο στην πρίζα.</li> <li>• Η παροχή ρεύματος δεν είναι άθικτη.</li> <li>• Η λυχνία LED είναι εκτός λειτουργίας.</li> </ul>	<ul style="list-style-type: none"> <li>• Συνδέστε την πρίζα.</li> <li>• Ελέγξτε την παροχή ηλεκτρικού ρεύματος στο δωμάτιο. Καλέστε την τοπική εταιρεία ηλεκτρισμού!</li> <li>• Καλέστε την υπηρεσία για αλλαγή της λυχνίας.</li> </ul>

Για να επικοινωνήσετε με την τεχνική βοήθεια, επισκεφθείτε τον ιστότοπό μας: <https://corporate.haier-europe.com/en/>

Στην ενότητα "ιστότοπος", επιλέξτε τη μάρκα του προϊόντος σας και τη χώρα σας. Θα ανακατευθυνθείτε στον συγκεκριμένο ιστότοπο, όπου μπορείτε να βρείτε τον αριθμό τηλεφώνου και τη φόρμα για να επικοινωνήσετε με την τεχνική υποστήριξη.

### **Διακοπή ρεύματος**

Σε περίπτωση διακοπής ρεύματος, τα τρόφιμα πρέπει να παραμένουν με ασφάλεια κρύα και σε συνθήκες ψύξης για περίπου 5 ώρες. Ακολουθήστε αυτές τις συμβουλές κατά τη διάρκεια παρατεταμένης διακοπής ρεύματος, ειδικά το καλοκαίρι:

- ▶ Ανοίγετε την πόρτα / συρτάρια όσο το δυνατόν λιγότερες φορές.
- ▶ Μην βάζετε επιπλέον τρόφιμα στη συσκευή κατά τη διάρκεια διακοπής ρεύματος.
- ▶ Εάν δοθεί προηγούμενη ειδοποίηση για διακοπή ρεύματος και η διάρκεια διακοπής είναι μεγαλύτερη από 5 ώρες, φτιάξτε λίγο πάγο και τοποθετήστε τον σε ένα δοχείο στο πάνω μέρος του ψυγείου.
- ▶ Ο έλεγχος των εμπορευμάτων απαιτείται αμέσως μετά τη διακοπή.
- ▶ Καθώς η θερμοκρασία στο ψυγείο θα αυξηθεί κατά τη διάρκεια διακοπής ρεύματος ή άλλης βλάβης, η περίοδος αποθήκευσης και η βρώσιμη ποιότητα των τροφίμων θα μειωθούν. Οποιοδήποτε φαγητό αποψύχεται πρέπει να καταναλώνεται ή να μαγειρεύεται και να καταψύχεται (όταν επιτρέπεται αυτή η διαδικασία) λίγο μετά για την αποφυγή κινδύνων για την υγεία.

### **Λειτουργία μνήμης κατά τη διακοπή ρεύματος**

Μετά την αποκατάσταση του ρεύματος, η συσκευή συνεχίζει με τις ρυθμίσεις που είχαν ρυθμιστεί πριν από τη διακοπή ρεύματος.

## Αποσυσκευασία



## ΠΡΟΕΙΔΟΠΟΙΗΣΗ!

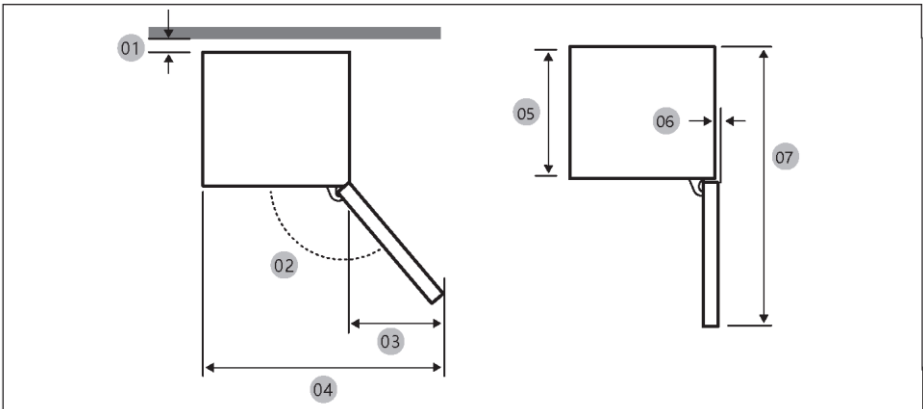
- ▶ Η συσκευή είναι βαριά/ Πάντα να τη χειρίζεστε με τουλάχιστον δύο άτομα.
- ▶ Κρατήστε όλα τα υλικά συσκευασίας μακριά από τα παιδιά και απορρίψτε τα με φιλικό προς το περιβάλλον τρόπο.
- ▶ Βγάλε τη συσκευή από τη συσκευασία.
- ▶ Αφαιρέστε όλα τα υλικά συσκευασίας.

## Περιβαλλοντικές συνθήκες

Η θερμοκρασία δωματίου πρέπει να είναι πάντα μεταξύ 10°C και 43°C, καθώς μπορεί να επηρεάσει τη θερμοκρασία στο εσωτερικό της συσκευής και την κατανάλωση ενέργειας της. Μην εγκαθιστάτε τη συσκευή κοντά σε άλλες συσκευές που εκπέμπουν θερμότητα (φούρνους, ψυγεία) χωρίς μόνωση.

## Απαιτήσεις χώρου

Απαιτούμενος χώρος όταν η πόρτα είναι ανοιχτή (χωρίς το πάνελ της πόρτας του επίπλου)



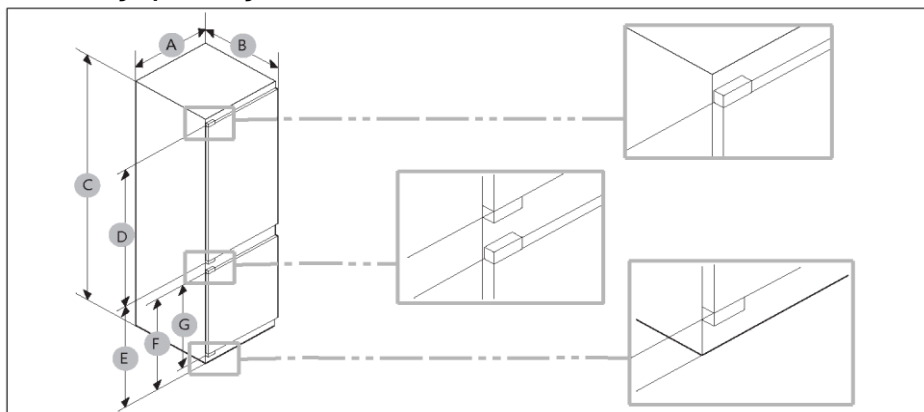
Μοντέλο	HBW7518C HBW7518DT
01 *	10 (ελάχ.) / 30 (συνιστάται)
02	95° (Συνιστάται)
03	43
04	583
05	515
06	-3
07	1060

(μονάδα: mm)

\* 01: Από το επίπλο μέχρι το πίσω μέρος του προϊόντος.



## Διαστάσεις προϊόντος



Μοντέλο	A(mm)	B(mm)	C(mm)	D(mm)	E(mm)	F(mm)	G(mm)
HBW7518C HBW7518DT	540±2	550±2	1772±2	970	745	662	618

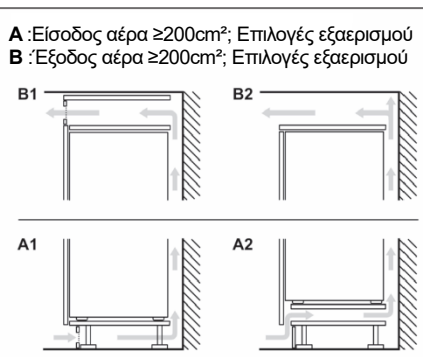
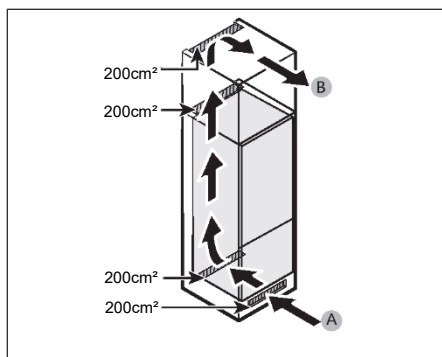


## ΕΙΔΟΠΟΪΗΣΗ

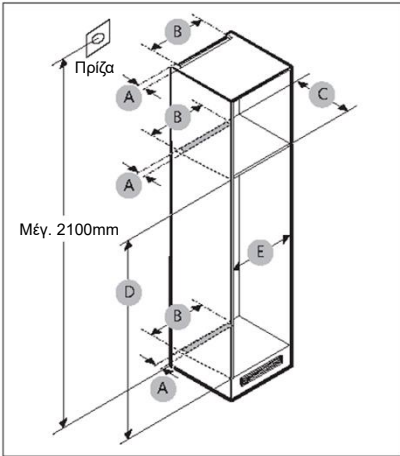
- Η καθορισμένη κατανάλωση ενέργειας βασίζεται στην προϋπόθεση ενός διάκενου 10 mm από το έπιπλο έως το πίσω μέρος του προϊόντος. Το προϊόν θα λειτουργεί σωστά ακόμη και με διάκενο μικρότερο από 10 mm, ωστόσο καταναλώνει ελαφρώς περισσότερη ενέργεια.
- Συνιστούμε τη χρήση επίπλου πάχους 18 mm με μεντεσέδες πάχους μικρότερου των 20 mm.
- Οι μετρήσεις στον παραπάνω πίνακα ενδέχεται να διαφέρουν, ανάλογα με τη μέθοδο μέτρησης.
- Για την εντοιχισμένη εγκατάσταση, ανατρέξτε στον Οδηγό εγκατάστασης.

## Διατομή εξαερισμού

Για να επιτευχθεί επαρκής αερισμός της συσκευής για λόγους ασφαλείας, πρέπει να τηρούνται οι πληροφορίες των απαιτούμενων διατομών εξαερισμού.



## Διαστάσεις επίπλου



## ΠΡΟΣΟΧΗ!

Οποιαδήποτε βλάβη του προϊόντος που οφείλεται στα ακόλουθα δεν καλύπτεται από την Εγγύηση.

1. Ακατάλληλες συνθήκες τοποθεσίας ή εσφαλμένα μεγέθη επίπλων.
2. Ελαττωματικό έπιπλο.
3. Λάθη του εγκαταστάτη ή του χρήστη.

## Διάκενο

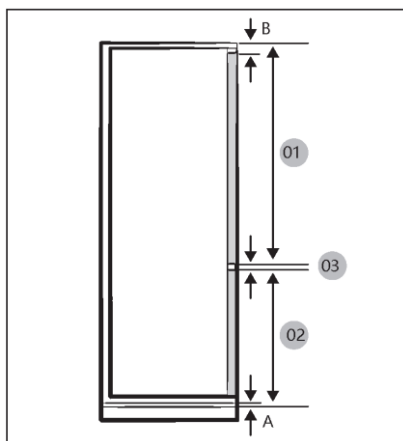
Δείτε τις εικόνες και τους πίνακες παρακάτω σχετικά με τις απαιτήσεις χώρου για την εγκατάσταση.

Μοντέλο		A (mm)	B (mm)	C (mm)	D (mm)	E (mm)	Παρατήρηση
HBW7518C HBW7518DT	Ελάχ.	50	400	560	1778	560	Μεντεσές: 17mm
	Συνιστάται			580	1780	562	
	Μέγ.			-	1782	568	



## ΕΙΔΟΠΟΪΗΣΗ

- Εάν το πλάτος ενός επίπλου είναι μεγαλύτερο από 568 mm, το λάστιχο (μεταξύ του ψυγείου και του ντουλαπιού) μπορεί να χαλαρώσει.
- Εάν το έπιπλο είναι ψηλότερο από τις μέγιστες διαστάσεις (1782 mm), πρέπει να χρησιμοποιήσετε άλλα υλικά φινιρίσματος για να καλύψετε το κενό.



(μονάδα: mm)

Μοντέλο	HBW7518C HBW7518DT
01	Min. 1028+B Max. 1106+B
02	Min. 662+A Max. 740+A
03	4 mm (διάκενο στην πόρτα επίπλου του ψυγείου και του καταψύκτη)

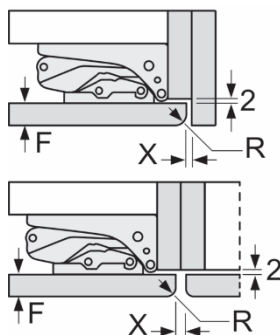


## ΕΙΔΟΠΟΪΗΣΗ

Για να εγκαταστήσετε ένα έπιπλο που απαιτεί διάκενο 4 mm (03), ανατρέξτε στον παρακάτω πίνακα αναφορές επίπλων.

- A. Κάτω άκρο του μπροστινού πάνελ πάνω από τον εξαερισμό αέρα
- B. Προεξοχή του μπροστινού πάνελ

Συνιστώμενες διαστάσεις διακένου για επίπεδους μεντεσέδες (για σταθερό ή μεντεσέ μαλακού κλεισίματος).

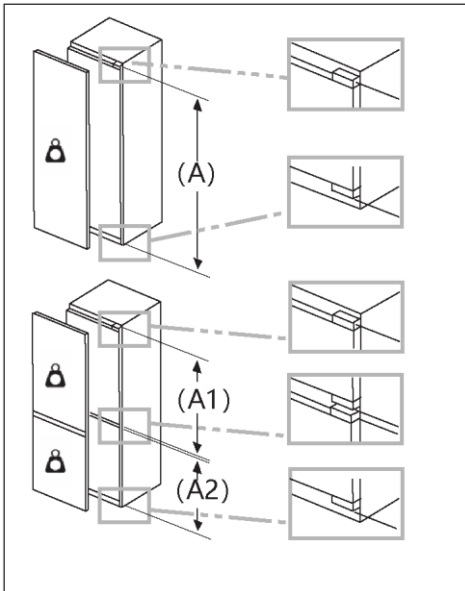


(μονάδα: mm)

F	R	X
16-19	0-3	2,5
20	0-1	3
	2-3	2,5
21	0-1	3
	2-3	2,5
22	0	4
	1	3,5
	2-3	3

Οι διαστάσεις διακένου που συνιστώνται στον πίνακα πρέπει να τηρούνται, προκειμένου να διασφαλιστεί ότι οι πόρτες των συσκευών δεν συγκροούνται με οτιδήποτε όταν ανοίγουν και να αποφευχθεί η πρόκληση ζημιών στις μονάδες κουζίνας.

## Μέγιστο επιτρεπόμενο βάρος των προσόψεων της μονάδας



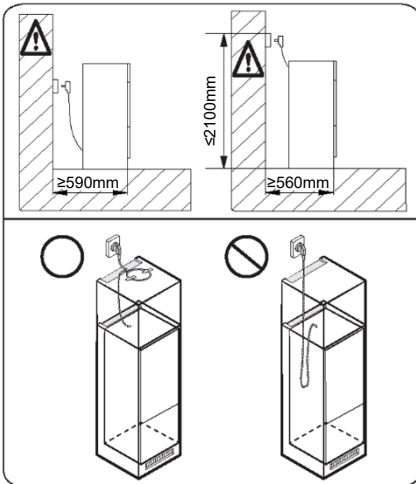
Οι τοποθετημένες προσόψεις μονάδων που υπερβαίνουν το επιτρεπόμενο βάρος μπορεί να προκαλέσουν ζημιά και να οδηγήσουν σε λειτουργική βλάβη των μεντεσέδων.



**Βάρος**  
(kg)

1500-1750 mm	22
720-1400 mm	19
A1	15
A2	15

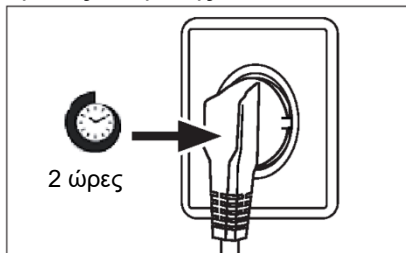
## Εκτίμηση για τη θέση της πρίζας και τον απαιτούμενο χώρο



## ΕΙΔΟΠΟΪΗΣΗ

Εάν εγκαταστήσετε το ψυγείο σε έπιπλο με βάθος 560 mm, βεβαιωθείτε ότι το καλώδιο τροφοδοσίας είναι τοποθετημένο σε μια πλευρά του ψυγείου πριν το συνδέσετε στην πρίζα. Εάν το καλώδιο τροφοδοσίας βρίσκεται στο πίσω μέρος του ψυγείου, μπορεί να μειώσει την ενεργειακή απόδοση.

## Χρόνος αναμονής



Το λάδι λίπανσης χωρίς συντήρηση βρίσκεται στην κάψουλα του συμπιεστή. Αυτό το λάδι μπορεί να περάσει από το κλειστό σύστημα σωλήνων κατά τη διάρκεια της κεκλιμένης μεταφοράς. Πριν συνδέσετε τη συσκευή στην παροχή ρεύματος θα πρέπει να περιμένετε τουλάχιστον 2 ώρες, ώστε το λάδι να επιστρέψει στην κάψουλα.

## Ηλεκτρική σύνδεση

Πριν από κάθε σύνδεση ελέγξτε αν:

- ▶ η τροφοδοσία ρεύματος, η πρίζα και η ασφάλεια είναι κατάλληλα σύμφωνα με το ταμπελάκι χαρακτηριστικών.
- ▶ η πρίζα είναι γειωμένη και δεν υπάρχει πολλαπλή πρίζα ή επέκταση.
- ▶ το βύσμα τροφοδοσίας και η πρίζα είναι σύμφωνα με.

Συνδέστε το βύσμα σε μια σωστά εγκατεστημένη οικιακή πρίζα.

**ΠΡΟΕΙΔΟΠΟΙΗΣΗ!**

Για να αποφύγετε τους κινδύνους, ένα κατεστραμμένο καλώδιο τροφοδοσίας πρέπει να αντικατασταθεί από την εξυπηρέτηση πελατών (βλ. κάρτα εγγύησης).

Δελτίο προϊόντος σύμφωνα με τον κανονισμό ΕΕ υπ' αριθ. 2019/2016

Μάρκα	Haier	Haier
Όνομα/αναγνωριστικό μοντέλου	HBW7518C	HBW7518DT
Κατηγορία του μοντέλου	Ψυγειοκαταψύκτης	Ψυγειοκαταψύκτης
Κατηγορία ενεργειακής απόδοσης	C	D
Ετήσια κατανάλωση ενέργειας (kWh/έτος)(1)	146	180
Συνολικός όγκος (Λίτρα)	268	268
Όγκος ψυγείου (Λίτρα)	182	182
Όγκος καταψύκτη (Λίτρα)	86	86
Όγκος τμήματος ψύκτη (L)	/	/
Όγκος αυτόματης παγομηχανής (L)	/	/
Αξιολόγηση με αστέρια	4	4
Θερμοκρασία άλλων διαμερισμάτων>14 °C	Δεν υφίσταται	Δεν υφίσταται
Σύστημα χωρίς πάγο	Ναι	Ναι
Χωρητικότητα καταψύκτη (κιλά/24 ώρες)	8	8
Βαθμολογία κλίματος (2)	SN/N/ST/T	SN/N/ST/T
Κατηγορία εκπομπών θορύβου και εκπομπών αερομεταφερόμενου ακουστικού θορύβου (db(A)re1pW)	B 32	B 32
Χρόνος αύξησης θερμοκρασίας (ώρες)	12	11
Χωρητικότητα παραγωγής πάγου	/	/
Τύπος συσκευής	εντοιχιζόμενη	εντοιχιζόμενη

Όνομα μοντέλου	Κατηγορία ενεργειακής απόδοσης
HBW7518C	C
HBW7518DT	D

Επεξηγήσεις:

• Ναι, εμφανίζεται

- (1) Με βάση τα αποτελέσματα της δοκιμής συμμόρφωσης προτύπων για 24 ώρες. Η πραγματική κατανάλωση εξαρτάται από τη χρήση και τη θέση της συσκευής.
- (2) Κλιματική κατάσταση SN: Αυτή η συσκευή προορίζεται για χρήση σε θερμοκρασία περιβάλλοντος μεταξύ + 10 °C και +32 °C

Κλιματική κατάσταση N: Αυτή η συσκευή προορίζεται για χρήση σε θερμοκρασία περιβάλλοντος μεταξύ + 16 °C και +32 °C

Κλιματική κατάσταση ST: Αυτή η συσκευή προορίζεται για χρήση σε θερμοκρασία περιβάλλοντος μεταξύ + 16 °C και +38 °C

Κλιματική κατάσταση T: Αυτή η συσκευή προορίζεται για χρήση σε θερμοκρασία περιβάλλοντος μεταξύ + 16 °C και +43 °C

#### Πρόσθετα τεχνικά δεδομένα

Τάση / Συχνότητα	220-240V ~/ 50Hz
Ρεύμα εισόδου (A)	2
Κύρια ασφάλεια (A)	16
Ψυκτικό	R600a
Διαστάσεις (Υ/Π/Β σε mm)	1772/540/550

Συνιστούμε την Εξυπηρέτηση Πελατών της Haier και τη χρήση γνήσιων ανταλλακτικών. Εάν έχετε κάποιο πρόβλημα με τη συσκευή σας, ελέγξτε πρώτα την ενότητα ΑΝΤΙΜΕΤΩΠΙΣΗ ΠΡΟΒΛΗΜΑΤΩΝ.

Εάν δεν μπορείτε να βρείτε μια λύση εκεί, επικοινωνήστε

- ▶ με τον τοπικό σας αντιπρόσωπο ή
- ▶ το Ευρωπαϊκό τηλεφωνικό κέντρο εξυπηρέτησης (βλ. παρακάτω αριθμούς τηλεφώνου) ή
- ▶ πηγαίνετε στην ενότητα Εξυπηρέτηση και Υποστήριξη στη διεύθυνση [www.haier.com](http://www.haier.com) όπου μπορείτε να υποβάλετε αίτημα εξυπηρέτησης
- ▶ και επίσης να βρείτε τις συχνές ερωτήσεις.

Για να επικοινωνήσετε με την Υπηρεσία μας, βεβαιωθείτε ότι έχετε τα ακόλουθα δεδομένα διαθέσιμα.

Οι πληροφορίες μπορείτε να βρείτε στην πινακίδα αξιολόγησης.

Μοντέλο \_\_\_\_\_

Σειριακός αριθμός. \_\_\_\_\_

Επίσης, ελέγξτε την Κάρτα Εγγύησης που παρέχεται με το προϊόν σε περίπτωση εγγύησης.

Ευρωπαϊκό Τηλεφωνικό Κέντρο		
Χώρα*	Αριθμός τηλεφώνου	Έξοδα
Haier Italy (IT)	199 100 912	
Haier Spain (ES)	902 509 123	
Haier Germany (DE)	0180 5 39 39 99	<ul style="list-style-type: none"> <li>• 14 λεπτά/λεπτό από σταθερό</li> <li>• μέγιστο 42 λεπτά/λεπτό από κινητό</li> </ul>
Haier Austria (AT)	0820 001 205	<ul style="list-style-type: none"> <li>• 14,53 λεπτά/λεπτό από σταθερό</li> <li>• μέγιστο 20 λεπτά/λεπτό όλα τα άλλα</li> </ul>
Haier United Kingdom (UK)	0333 003 8122	
Haier France (FR)	0980 406 409	



\* Για άλλες χώρες, ανατρέξτε στη διεύθυνση [www.haier.com](http://www.haier.com)

Haier Europe Trading S.r.l

Υποκατάστημα Ηνωμένο Βασίλειο

Westgate House, Westgate, Ealing

Λονδίνο, W5 1YY

\*Διάρκεια εγγύησης της ψυκτικής συσκευής:

Η ελάχιστη εγγύηση είναι: 2 χρόνια για τις χώρες της ΕΕ, 3 χρόνια για την Τουρκία, 1 χρόνο για το Ηνωμένο Βασίλειο, 1 χρόνο για τη Ρωσία, 3 χρόνια για τη Σουηδία, 2 χρόνια για τη Σερβία, 5 χρόνια για τη Νορβηγία, 1 χρόνο για το Μαρόκο, 6 μήνες για την Αλγερία, για την Τυνησία δεν απαιτείται νομική εγγύηση.

\*Περίοδος διάθεσης ανταλλακτικών για επισκευή της συσκευής:

Θερμοστάτες, αισθητήρες θερμοκρασίας, πλακέτες τυπωμένων κυκλωμάτων και πηγές φωτός διατίθενται για επτά τουλάχιστον χρόνια μετά τη διάθεση της τελευταίας μονάδας του μοντέλου στην αγορά.

Λαβές πόρτας, μεντεσέδες πόρτας, δίσκοι και καλάθια διατίθενται για περίοδο τουλάχιστον επτά ετών και λάστιχα πόρτας για περίοδο τουλάχιστον 10 ετών μετά τη διάθεση της τελευταίας μονάδας του μοντέλου στην αγορά.

\*Για περισσότερες πληροφορίες σχετικά με το προϊόν, συμβουλευτείτε τη διεύθυνση <https://eprel.ec.europa.eu/> ή σαρώστε τον κωδικό QR στην ενεργειακή ετικέτα που παρέχεται με τη συσκευή.



**Haier**

专用号条码

0060536192  
2024 Version A

# Haier

## Manual de usuario

Frigorífico-congelador  
HBW7518C  
HBW7518DT

EN

CZ

DE

EL

ES

FR

HU

IT

NL

PL

PT

RO

ES



**WARNING: Risk of fire/flammable material** **EN**  
The symbol indicates there is a risk of fire since flammable materials are used. Take care to avoid causing a fire by ingiting flammable material.

**VAROVÁNÍ: Nebezpečí Požáru/Hořlavého Materiálu** **CZ**

Symbol označuje riziko požáru, protože byly použity hořlavé materiály. Dbejte na to, aby nedošlo ke vzniku požáru zapálením hořlavého materiálu.

**WARNUNG: Brandgefahr/brennbares Material** **DE**

Das Symbol weist auf Brandgefahr hin, da brennbare Materialien verwendet werden. Verhindern Sie die Entstehung von Bränden, die durch entflammbare Materialien verursacht werden.

**ΠΡΟΣΟΧΗ: Κίνδυνος: φωτιάς/εύφλεκτο υλικό** **EL**

Το σύμβολο υποδεικνύει ότι υπάρχει κίνδυνος φωτιάς επειδή χρησιμοποιούνται εύφλεκτα υλικά. Προσέχετε να αποφεύγετε την πρόκληση φωτιάς από ανάφλεξη εύφλεκτου υλικού.

**ADVERTENCIA: Riesgo de incendio o material inflamable** **ES**

El símbolo indica que existe riesgo de incendio, dado que se utilizan materiales inflamables. Se debe procurar evitar incendios medí ante la combustión de materiales inflamables.

**ATTENTION: Risque d'incendie ou de mati ères inflammables** **FR**

Le symbole montre qu'il y'a le risque de maté riaux inflammables sont utilisés. Prendre soin d'éviter de provoquer un incendie en ingérant des matières inflammables.

**FIGYELEM: Tűz / gyűlékony anyag veszélye** **HU**

A szimbólum azt jelzi, hogy tűzveszély áll fenn, mivel gyűlékony anyagokat használnak. Ügyeljen arra, hogy ne tegyen rá tűzveszélyes gyű lékony anyagot.

**ATTENZIONE: Rischio di incendio/materiale infiammabile** **IT**

Il simbolo indica il rischio di incendio nel caso di utilizzo di materiali infiammabili. Fare attenzione ed evitare l'insorgere di incendi a causa della caombustione di materiali infiammabili.

**WAARSCHUWING: Brandrisico / brandbaar materiaal** **NL**

Het systeem geeft aan dat er een brandrisico bestaat aangezien brandbaar materiaal wordt gebruikt. Zorg ervoor dat er geen brand wordt veroorzaakt door brandbaar materiaal te ont steken.

**OSTRZEŽENIE: Ryzyko pożaru/materiał łatwopalny** **PL**

Symbol wskazuje, że istnieje ryzyko pożaru, ponieważ używane są materiały łatwopalne. Dbaj o to, aby uniknąć pożaru poprzez zapale nie łatwopalnego materiału.

**AVISO: Risco de incêndio e material inflamável** **PT**

O símbolo indica que existe um risco de incêndio, uma vez que são utilizados materiais inflamáveis. Tenha cuidado para evitar provocar um incêndio acendendo material inflamável.

**AVERTISMENT: Risc de incendiu/material inflamabil** **RO**

Simbolul indică că există risc de incendiu deoarece sunt folosite materiale inflamabile. Aveți grijă și evitați incendiile aprinzând materiale inflamabile.

<u>5 Información de seguridad</u>	•	<u>Antes del primer uso</u>	6
		<u>Instalación</u>	6
		<u>Uso diario</u>	7
<u>10 Uso previsto</u>	•	<u>Información sobre el gas refrigerante</u>	9
<u>11 Descripción del producto</u>	•		
<u>12 Panel de control</u>	•		
<u>13 Uso</u>	•		
		<u>Panel de bloqueo/desbloqueo</u>	13
		<u>Ajustar la temperatura del frigorífico</u>	13
		<u>Ajustar la temperatura del congelador</u>	13
		<u>Función de interconexión</u>	14
		<u>Función ECO</u>	15
		<u>Función Holiday</u>	15
		<u>Función Super Cool</u>	15
		<u>Función Super Freeze</u>	16
		<u>Selección de la función My Zone</u>	17
<u>19 Equipamiento</u>	•		
<u>20 Consejos de ahorro de energía</u>	•		
<u>21 Cuidado y limpieza</u>	•		
<u>23 Solución de problemas</u>	•		
<u>27 Instalación</u>	•		
<u>33 Datos técnicos</u>	•		
<u>35 Atención al cliente</u>	•		

## Gracias por comprar un producto Haier.

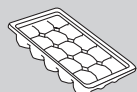
Lea atentamente estas instrucciones antes de utilizar este electrodoméstico. Estas instrucciones contienen información importante que le ayudará a sacar el máximo provecho del electrodoméstico y a garantizar una instalación, uso y mantenimiento seguros y adecuados.

Guarde este manual en un lugar seguro para poder consultarlo en cualquier momento y garantizar un uso seguro y adecuado del electrodoméstico.

Si vende este electrodoméstico, lo dona o lo deja al mudarse, asegúrese de entregar también este manual para que el nuevo propietario pueda familiarizarse con el electrodoméstico y las advertencias de seguridad.

## Accesorios

Verifique los accesorios y la documentación según la siguiente lista:



Bandeja de cubitos de hielo



Bandeja de huevos



Etiqueta de energía



Tarjeta de garantía



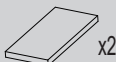
Manual de usuario



Tornillo x4



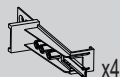
Cubierta x2



Bloque de esponja x2



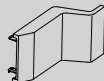
Guía deslizante x4



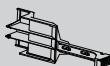
Ensamblaje deslizante x4



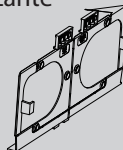
Placa fija



Cubierta de bisagra



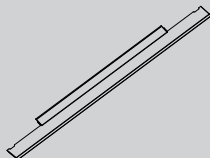
Placa fija II



Placa fija inferior



Placa fija superior



Cubierta inferior



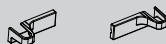
Cubierta lateral inferior



Tira de sellado



Esponja de sellado



Cubierta de bisagra inferior



**ADVERTENCIA: Información de seguridad importante**



**AVISO: Información general y consejos**



**Información medioambiental**

### Eliminación



Ayude a proteger el medio ambiente y la salud humana. Tire el embalaje en los contenedores correspondientes para reciclarlo. Ayude a reciclar los residuos de aparatos eléctricos y electrónicos. No deseche los aparatos marcados con este símbolo en la basura doméstica. Lleve el producto a su centro de reciclaje local o póngase en contacto con su oficina municipal.



**¡ADVERTENCIA!**

¡Peligro de lesiones o asfixia!

Los refrigerantes y gases deben ser eliminados de forma profesional. Asegúrese de que la tubería del circuito refrigerante no está dañada antes de desecharla adecuadamente. Desconecte el electrodoméstico de la red eléctrica. Corte el cable de red y deséchelo. Quite las bandejas y los cajones, así como el asa de la puerta y las juntas, para evitar que los niños y las mascotas se queden encerrados en el electrodoméstico.

## Antes de encender el electrodoméstico por primera vez, lea las siguientes directrices de seguridad:



### ¡ADVERTENCIA!

#### Antes del primer uso

- ▶ Asegúrese de que no haya daños causados por el transporte.
- ▶ Espere al menos dos horas antes de instalar el electrodoméstico para asegurarse de que el circuito refrigerante sea totalmente eficiente.
- ▶ Este electrodoméstico pesa mucho: manipúlelo con la ayuda de otra persona.
- ▶ Retire todo el material de embalaje, manténgalo fuera del alcance de los niños y deséchelo de forma respetuosa con el medio ambiente.
- ▶ Limpie el interior y el exterior del electrodoméstico con agua y un detergente suave antes de introducir cualquier alimento en él.
- ▶ Después de nivelar y limpiar el electrodoméstico, espere al menos 2-5 horas antes de conectarlo a la fuente de alimentación. Ver sección INSTALACIÓN.
- ▶ Enfríe previamente los compartimentos a altas temperaturas antes de cargarlos con alimentos. La función Power-Freeze ayuda a enfriar rápidamente los compartimentos.
- ▶ Las temperaturas del frigorífico y del congelador se ajustan automáticamente a 5 °C y -18 °C respectivamente. Estos son los ajustes recomendados. Si lo desea, puede cambiar estas temperaturas manualmente. Consulte la sección AJUSTE DE LA TEMPERATURA.

#### Instalación

- ▶ Este electrodoméstico debe colocarse en un lugar bien ventilado. Asegúrese de dejar un espacio libre de al menos 10 cm por encima y alrededor del electrodoméstico.
- ▶ No coloque el electrodoméstico en un área húmeda o en un lugar donde pueda recibir salpicaduras de agua. Limpie y seque las salpicaduras y manchas con un paño suave y limpio.
- ▶ No instale el electrodoméstico bajo la luz directa del sol o cerca de fuentes de calor (p. ej.: fogones, estufas...).
- ▶ Instale y nivele el electrodoméstico en un lugar adecuado para su tamaño y uso.
- ▶ No obstruya las aberturas de ventilación del armazón del electrodoméstico o de la estructura integrada.
- ▶ Asegúrese de que la información eléctrica de la placa de características técnicas coincida con la fuente de alimentación. Si no es así, póngase en contacto con un electricista.
- ▶ Este electrodoméstico funciona mediante una fuente de alimentación de 220-240 V CA/50 Hz. Una fluctuación anormal del voltaje puede provocar que el electrodoméstico no se ponga en marcha o que se dañe el control de temperatura o el compresor, o que se oiga un ruido anormal durante el funcionamiento. En tal caso, se deberá instalar un regulador automático.
- ▶ No utilice adaptadores de múltiples contactos ni cables de extensión.
- ▶ No ubique tomas de corriente múltiples portátiles ni fuentes de alimentación portátiles en la parte trasera del electrodoméstico.
- ▶ Asegúrese de que el cable de alimentación no quede aprisionado por el frigorífico. No oprima el cable de alimentación.





## ¡ADVERTENCIA!

- ▶ Utilice una toma de corriente independiente puesta a tierra como fuente de alimentación, que sea de fácil acceso. Este electrodoméstico debe conectarse a tierra.

Solo para el Reino Unido: El cable de alimentación de este electrodoméstico está equipado con un enchufe de 3 cables (con puesta a tierra) que se ajusta a una toma de corriente estándar de 3 cables (puesta a tierra). No corte ni desmonte la tercera patilla (toma de tierra). Una vez instalado el electrodoméstico, el enchufe debe ser accesible.

- ▶ No dañe el circuito del refrigerante.

### Uso diario

- ▶ Este electrodoméstico puede ser utilizado por niños a partir de 8 años y por personas con capacidades físicas, sensoriales o mentales reducidas, o sin experiencia o conocimientos previos, siempre y cuando hayan recibido la supervisión y las instrucciones necesarias para utilizar el electrodoméstico de forma segura y comprendan los riesgos que implica.
- ▶ Se permite que los niños de 3 a 8 años llenen y vacíen electrodomésticos de refrigeración, pero no están autorizados a limpiarlos o instalarlos.
- ▶ Mantenga alejados del electrodoméstico a los niños menores de 3 años a menos que estén constantemente supervisados.
- ▶ Los niños no deben jugar con este electrodoméstico.
- ▶ Si se filtra gas refrigerante u otro gas inflamable en las proximidades del electrodoméstico, apague la válvula del gas filtrado, abra las puertas y ventanas y no desconecte un enchufe en el cable de alimentación del frigorífico/congelador o cualquier otro electrodoméstico.
- ▶ Tenga en cuenta que el electrodoméstico está configurado para funcionar en un intervalo de temperatura ambiente específico de entre 10 y 43 °C. El electrodoméstico no puede funcionar correctamente si se deja durante mucho tiempo a una temperatura superior o inferior al intervalo indicado.
- ▶ No coloque artículos inestables (objetos pesados, recipientes llenos de agua) en la parte superior del frigorífico, a fin de evitar lesiones personales causadas por caídas o descargas eléctricas causadas por el contacto con el agua.
- ▶ No tire de los estantes de la puerta. Se puede tirar de la puerta de forma inclinada, el botellero puede retirarse o el electrodoméstico puede volcar.
- ▶ Abra y cierre las puertas solamente usando las asas. El hueco entre las puertas y entre las puertas y el armario es muy estrecho. No ponga las manos en estas áreas para evitar pillarse los dedos. Abra o cierre las puertas del frigorífico solo cuando no haya niños dentro del área de movimiento de la puerta.



## ¡ADVERTENCIA!

- ▶ No almacene ni utilice elementos inflamables, explosivos o corrosivos en el electrodoméstico ni cerca de él.
- ▶ No guarde medicamentos, bacterias ni agentes químicos en el electrodoméstico. Este aparato es un electrodoméstico. No se recomienda almacenar materiales que requieran temperaturas extremas.
- ▶ Nunca almacene líquidos en botellas o latas (aparte de bebidas de alto grado alcohólico), especialmente las bebidas carbonatadas, en el congelador, ya que se romperían durante la congelación.
- ▶ Compruebe el estado de los alimentos si se ha producido un calentamiento en el congelador.
- ▶ No ajuste una temperatura demasiado baja sin necesidad en el compartimento frigorífico. Los ajustes más altos pueden generar temperaturas bajo cero. Atención: Las botellas pueden reventar.
- ▶ No toque los productos congelados con las manos mojadas (use guantes). Sobre todo, no coma hielo inmediatamente después de haberlo sacado del congelador. Existe el riesgo de congelación o de formación de ampollas. **PRIMEROS AUXILIOS:** poner inmediatamente bajo el grifo de agua fría. ¡No tirar!
- ▶ No toque la superficie interior del compartimento de almacenamiento del frigorífico cuando esté en funcionamiento, especialmente con las manos mojadas, ya que las manos pueden congelarse por la superficie.
- ▶ Desenchufe el electrodoméstico en caso de interrupción del suministro eléctrico o antes de limpiarlo. Espere al menos 7 minutos antes de volver a poner en marcha el aparato, ya que un arranque frecuente puede dañar el compresor.
- ▶ No deben utilizarse dispositivos eléctricos dentro de los compartimentos para alimentos del electrodoméstico, salvo que sean del tipo recomendado por el fabricante. Mantenimiento / limpieza
- ▶ Asegúrese de que los niños están bajo supervisión si realizan tareas de limpieza y mantenimiento.
- ▶ Desconecte el electrodoméstico de la red eléctrica antes de realizar cualquier mantenimiento rutinario. Deje pasar al menos 5 minutos antes de reiniciar el electrodoméstico, ya que el arranque frecuente puede dañar el compresor.



## ¡ADVERTENCIA!

- ▶ Cuando desenchufe el electrodoméstico, hágalo por la clavija, no por el cable.
- ▶ No limpie el electrodoméstico con cepillos duros, cepillos de alambre, detergente en polvo, gasolina, acetato de amilo, acetona y soluciones orgánicas similares, soluciones ácidas o alcalinas. Limpie con un detergente especial para frigoríficos para evitar daños.
- ▶ No raspe la escarcha y el hielo con objetos afilados. No utilice aerosoles, calentadores eléctricos como secadores de pelo, limpiadores a vapor u otras fuentes de calor para evitar dañar las piezas de plástico.
- ▶ No utilice dispositivos mecánicos ni otros equipos para acelerar el proceso de descongelación, salvo aquellos recomendados por el fabricante.
- ▶ Si el cable de alimentación está dañado, debe ser sustituido por el fabricante, por su servicio técnico o por cualquier profesional cualificado similar para evitar riesgos.
- ▶ No intente reparar, desmontar o modificar este electrodoméstico por su cuenta. En caso de reparación, póngase en contacto con nuestro servicio de atención al cliente.
- ▶ Saque el polvo de la parte posterior de la unidad al menos una vez al año para evitar el riesgo de incendio, así como un mayor consumo de energía.
- ▶ No rocíe ni enjuague el electrodoméstico durante la limpieza.
- ▶ No use agua pulverizada o vapor para limpiar el electrodoméstico.
- ▶ No limpie los estantes de cristal fríos con agua caliente. Un cambio repentino de temperatura puede causar que el cristal se rompa.

## Información sobre el gas refrigerante



### ¡ADVERTENCIA!

Este electrodoméstico contiene el refrigerante inflamable ISOBUTANO (R600a). Asegúrese de no dañar el circuito refrigerante durante el transporte o la instalación. La fuga de refrigerante puede causar lesiones oculares o incendios. Si se produce algún daño, manténgase alejado de llamas abiertas, ventile bien la habitación y no conecte o desconecte los cables de alimentación de este ni de cualquier otro electrodoméstico. Informe al servicio de atención al cliente.

En caso de que los ojos entren en contacto con el refrigerante, enjuáguelos inmediatamente con agua corriente y llame inmediatamente a un oftalmólogo.

---

## Uso previsto

Este electrodoméstico está diseñado para enfriar y congelar alimentos. Ha sido diseñado exclusivamente para su uso en aplicaciones domésticas y similares, como áreas de cocina para personal en tiendas, oficinas y otros entornos de trabajo; granjas y el uso por clientes en hoteles, moteles y otros entornos de tipo residencial, así como en negocios de alojamiento y restauración. No está destinado a un uso comercial o industrial.

No se permite realizar cambios o modificaciones en el electrodoméstico. Un uso no previsto puede causar riesgos y la pérdida de reclamaciones de garantía.

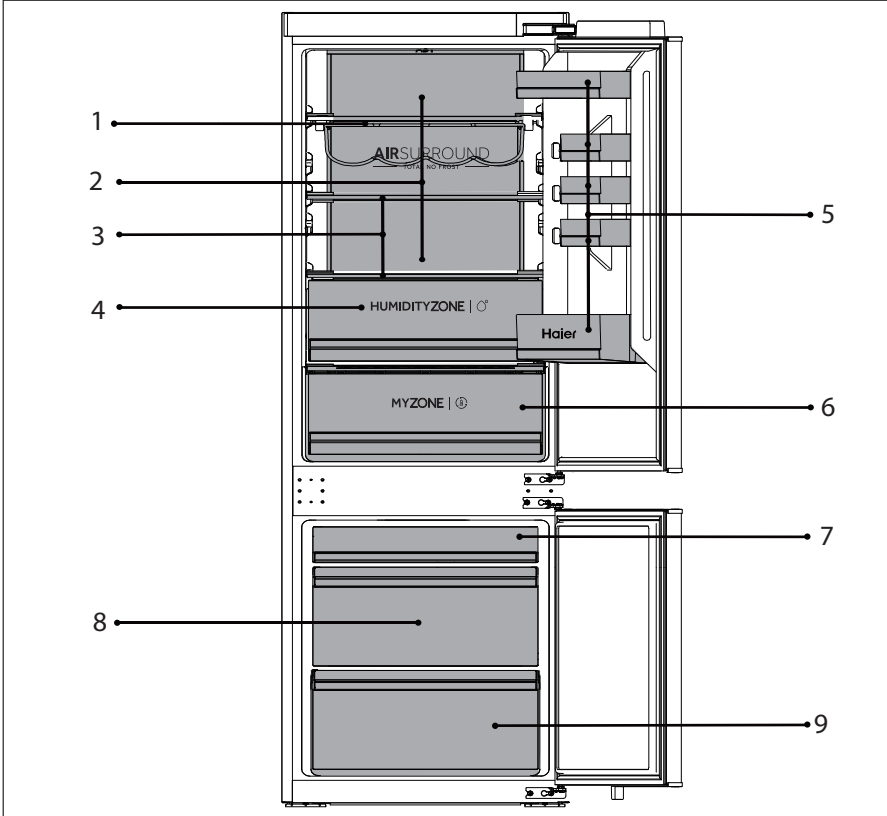
## Normas y directivas



Este producto cumple los requisitos de todas las directivas CE aplicables con las correspondientes normas acordadas, que establecen el mercado CE.

**i AVISO**

Debido a cambios técnicos y a las diferencias entre modelos, algunas de las ilustraciones de este manual pueden diferir de su modelo.



**HBW7518C/HBW7518DT**

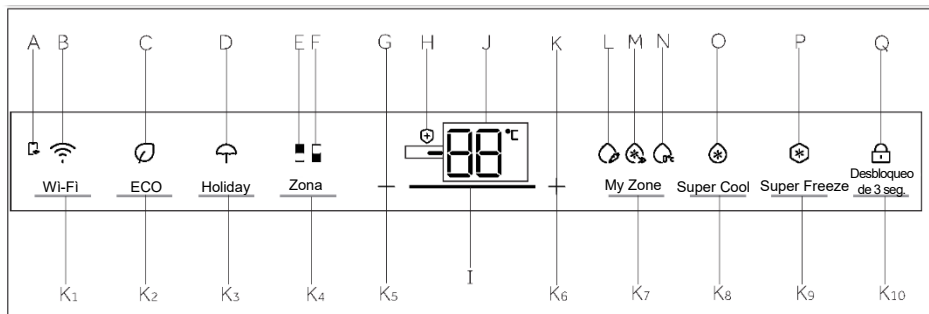
**A: Cámara frigorífica**

- 1 Estante para el vino
- 2 Conducto de aire refrigerado
- 3 Estanterías ordinarias
- 4 Cajón Humidity Zone
- 5 Soporte para botellas
- 6 Cajón MyZone

**B: Compartimento del congelador**

- 7 Cajón superior del congelador
- 8 Cajón congelador central
- 9 Cajón inferior del congelador

## Panel de control



### Indicadores:

- A Conexión APP móvil
- B Función Wi-Fi
- C Función ECO
- D Función Holiday
- E Indicador del frigorífico
- F Indicador del congelador
- G Ajuste de la temperatura "-"
- H Función bactericida
- I Visualización del efecto de la fuerza de marcha
- J Indicador de temperatura
- K Ajuste de la temperatura "+"
- L Función Fruit&Veg
- M Función QuickCool
- N Función 0°C Fresh
- O Función Super Cool
- P Función Super Freeze
- Q Bloqueo y desbloqueo

### Botones:

- K<sub>1</sub> Botón de configuración Wi-Fi
- K<sub>2</sub> Botón de la función ECO
- K<sub>3</sub> Botón de la función Holiday
- K<sub>4</sub> Botón de selección de zona
- K<sub>5</sub> Botón de ajuste de la temperatura "-"
- K<sub>6</sub> Botón de ajuste de la temperatura "+"
- K<sub>7</sub> Botón de selección de la función My Zone
- K<sub>8</sub> Botón de selección de Super Cool
- K<sub>9</sub> Botón de selección de Super Freeze
- K<sub>10</sub> Botón de bloqueo y desbloqueo

## Teclas táctiles

Los botones del panel de control son teclas táctiles, que se activan incluso cuando se rozan ligeramente con el dedo.

## Encender/apagar el electrodoméstico

El electrodoméstico se pondrá en marcha en cuanto se conecte a la fuente de alimentación.

Cuando el frigorífico se enciende por primera vez, se ilumina el indicador "J" (indicador de temperatura). La temperatura del frigorífico y la temperatura del congelador se ajustan automáticamente entre 5 °C y -18 °C respectivamente. El indicador "M" (pantalla QuickCool) se ilumina.

My Zone se ajusta automáticamente a la función QuickCool.

Puede que el bloqueo del panel esté activo.



## AVISO

Cuando se enciende el electrodoméstico después de desconectarlo de la fuente de alimentación principal, alcanzar las temperaturas correctas puede tomar hasta 12 horas.

Vacíe el electrodoméstico antes de apagarlo. Para apagar el electrodoméstico, retire el cable de alimentación de la toma de corriente.

### Panel de bloqueo/desbloqueo

**Bloqueo automático:** Cuando la puerta del frigorífico y la del congelador están cerradas y no se acciona ninguna tecla en 30 segundos, la pantalla se apaga y se bloquea automáticamente.

**Bloqueo manual:** Cuando la pantalla está desbloqueada, pulse el botón "K<sub>10</sub>" (bloqueo de 3 seg.) y manténgalo pulsado durante 3 segundos; el zumbador suena una vez, el indicador "Q" (bloqueo del panel) se ilumina y la pantalla queda bloqueada.

**Desbloqueo:** Cuando la pantalla de visualización está bloqueada, pulse el botón "K<sub>10</sub>" (desbloqueo de 3 seg.) y manténgalo pulsado durante 3 segundos; el zumbador suena una vez, el indicador "Q" (bloqueo del panel) se apaga y la pantalla se desbloquea.

### Ajuste de la temperatura

Las temperaturas interiores están influenciadas por los siguientes factores:

Temperatura ambiente, frecuencia de apertura de la puerta, cantidad de alimentos almacenados, instalación del aparato.

### Ajustar la temperatura del frigorífico

Cuando la pantalla esté desbloqueada, pulse el botón "K<sub>4</sub>" (selector de zona). El zumbador suena una vez, el indicador "E" (indicador del frigorífico) se ilumina y, a continuación, aparece el modo de ajuste de la temperatura del frigorífico.

Pulse el botón "K<sub>5</sub>" (botón de ajuste de la temperatura "-"); el zumbador sonará una vez y la temperatura del frigorífico se reducirá en 1 grado. La temperatura del frigorífico se mostrará en la secuencia "9°C -> 8°C -> 7°C -> 6°C -> 5°C -> 4°C -> 3°C -> 2°C -> 1°C".

Pulse el botón "K<sub>6</sub>" (botón de ajuste de la temperatura "+"); el zumbador suena una vez y la temperatura del frigorífico aumentará en 1 grado. La temperatura del frigorífico se mostrará en la secuencia "1°C -> 2°C -> 3°C -> 4°C -> 5°C -> 6°C -> 7°C -> 8°C -> 9°C".



## AVISO

Después de ajustar la temperatura, si no se realiza otra ninguna acción en 5 segundos, el sistema guardará automáticamente la temperatura seleccionada.

## Ajustar la temperatura del congelador

Cuando la pantalla esté desbloqueada, pulse el botón "K<sub>4</sub>" (selector de zona). El zumbador suena una vez, el indicador "F" (indicador del congelador) se ilumina y se accede al modo de ajuste de la temperatura del congelador.

Pulse el botón "K<sub>5</sub>" (botón de ajuste de la temperatura "-"); el zumbador suena una vez y la temperatura del congelador se reducirá en 1 grado. La temperatura del congelador se mostrará en la secuencia "-14°C -> -15°C -> -16°C->-17°C -> -18°C -> -19°C -> -20°C -> -21°C -> -22°C -> -23°C -> -24°C".

Pulse el botón "K<sub>6</sub>" (botón de ajuste de la temperatura "+"); el zumbador suena una vez y la temperatura del congelador aumentará en 1 grado. La temperatura del congelador se mostrará en la secuencia "-24°C -> -23°C -> -22°C -> -21°C -> -20°C -> -19°C -> -18°C -> -17°C -> -16°C -> -15°C -> -14°C".



### AVISO

Después de ajustar la temperatura, si no se realiza otra ninguna acción en 5 segundos, el sistema guardará automáticamente la temperatura seleccionada.

## Función Wi-Fi

1. Cuando la pantalla esté desbloqueada, pulse el botón "K<sub>1</sub>" (botón de función Wi-Fi), el zumbador sonará una vez, el indicador "B" (función Wi-Fi) se ilumina hasta que se conecte. Después de que la conexión tenga éxito, manténgalo encendido durante mucho tiempo, y entonces la función Wi-Fi se activará.
2. Cuando la pantalla esté desbloqueada, pulse el botón "K<sub>1</sub>" (botón de función Wi-Fi), el zumbador sonará una vez, el indicador "B" (función de interconexión) se apagará y, a continuación, la función Wi-Fi se desactivará.

## PROCEDIMIENTO DE EMPAREJAMIENTO EN LA APLICACIÓN

<b>Paso 1</b> • Descargue la aplicación hOn de la tienda de aplicaciones.	
   	
<b>Paso 2</b> Cree su cuenta en la aplicación hOn o inicie sesión si ya tiene una.	<b>Paso 3</b> Siga las instrucciones de emparejamiento en la aplicación hOn.
	



## **Función ECO**

1. Cuando la pantalla de visualización esté desbloqueada, pulse el botón "K<sub>2</sub>" (botón de función ECO), el zumbador sonará una vez, el indicador "C" (función ECO) se iluminará y, a continuación, se activará la función ECO.
2. Cuando la pantalla de visualización esté desbloqueada, pulse el botón "K<sub>2</sub>" (botón de función ECO), el zumbador sonará una vez, el indicador "C" (función ECO) se apagará y, a continuación, la función ECO se desactivará.

## **Función Holiday**

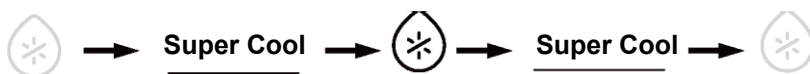
1. Cuando la pantalla de visualización esté desbloqueada, pulse el botón "K<sub>3</sub>" (botón de la función Holiday), el zumbador sonará una vez, el indicador "D" (función Holiday) se iluminará y, a continuación, se activará la función Holiday.
2. Cuando la pantalla de visualización esté desbloqueada, pulse el botón "K<sub>3</sub>" (botón de la función Holiday), el zumbador sonará una vez, el indicador "D" (función Holiday) se apagará y, a continuación, la función Holiday se desactivará.

## AVISO

1. La función Holiday se utiliza principalmente para viajes de corta duración y otras situaciones de la vida; la cámara frigorífica debe vaciarse cuando se utiliza la función Holiday.
2. En la función Holiday, la temperatura de la cámara frigorífica será más alta (unos 17 °C); preste atención a vaciar los alimentos de la cámara frigorífica para evitar su deterioro.
3. En la función Holiday, el ajuste de los iconos "Fruit&Veg, QuickCool, 0°C Fresh" de My zone se desactivará y la temperatura de My zone no se podrá ajustar. El compartimento frigorífico y My zone se mostrarán en el ajuste anterior una vez que salga de la función Holiday.

## Función Super Cool

1. Cuando la pantalla esté desbloqueada, pulse el botón "K<sub>8</sub>" (selector de la función Super Cool); el zumbador suena una vez, se ilumina el indicador "O" (función Super Cool) y, a continuación, se activa la función Super Cool.
2. Cuando se ilumine el indicador "O" (función Super Cool), pulse el botón "K<sub>8</sub>" (selector de la función Super Cool); el zumbador suena una vez, el indicador "O" (función Super Cool) se apaga y la función Super Cool se desactivará.
3. Después de activar la función Super Cool, el frigorífico desactivará automáticamente la función cuando alcance la temperatura ajustada. Si desea salir manualmente, puede pulsar el botón "K<sub>8</sub>" (selector de la función Super Cool) para desactivarla.



## AVISO

1. En estado Super Cool, la temperatura del frigorífico no se puede ajustar. Si se pulsa el botón "K<sub>5</sub>" (botón de ajuste de la temperatura "-") o "K<sub>6</sub>" (botón de ajuste de la temperatura "+") para ajustar la temperatura del frigorífico, el indicador "O" (indicador de la función Super Cool) parpadeará con un sonido de aviso para indicar que esta operación no se puede realizar.
2. Con la función Super Cool activa no se puede activar a la vez la función Auto-set debido a que son diferentes modos de control. Cuando elija una función que esté en conflicto con otra función, la función original se desactivará automáticamente.
3. Esta función se desactivará automáticamente después de 4 horas.

## Función Super Freeze

1. Cuando la pantalla esté desbloqueada, pulse el botón "K<sub>9</sub>" (selector de la función Super Freeze); el zumbador suena una vez, se ilumina el indicador "P" (función Super Freeze) y, a continuación, se activa la función Super Freeze.
2. Cuando se encienda el indicador "P" (función Super Freeze), pulse el botón "K<sub>9</sub>" (selector de la función Super-Freeze); el zumbador suena una vez, se apaga el indicador "P" (función Super Freeze) y, a continuación, se desactiva la función Super Freeze.

- Después de activar la función Super Freeze, el frigorífico desactivará automáticamente la función cuando alcance la temperatura ajustada. Si desea salir manualmente, puede pulsar el botón "K<sub>9</sub>" (selector de la función Super Freeze) para desactivarla.



## **i** AVISO

- En estado Super Freeze, la temperatura del congelador no se puede ajustar. Si se pulsa el botón "K<sub>5</sub>" (botón de ajuste de la temperatura "-") o "K<sub>6</sub>" (botón de ajuste de la temperatura "+") para ajustar la temperatura del congelador, el indicador "P" (indicador Super Freeze) parpadeará con un sonido de aviso para indicar que esta operación no se puede realizar.
- La función Super Freeze está diseñada para mantener el valor nutricional de los alimentos congelados y congelar los alimentos en el menor tiempo posible. Si se van a congelar grandes cantidades de alimentos a la vez. Mientras tanto, la función Super Freeze debe configurarse con 24 horas de antelación para que el congelador tenga una temperatura relativamente baja e introducir los alimentos. En ese momento, la velocidad de congelación del congelador es mejor, los alimentos se congelan rápidamente, los alimentos mantienen sus propiedades nutritivas y su conservación es más buena.
- La función Super Freeze se desconecta automáticamente al cabo de 50 horas. El aparato funciona entonces a la temperatura previamente ajustada.

## Selección de la función My Zone

Quando la pantalla esté desbloqueada, pulse el botón "K<sub>7</sub>" (botón de selección de la función My Zone), el zumbador sonará una vez, el indicador "L" (función Fruit&Veg) se iluminará y, a continuación, se activará la función Fruit&Veg. Si se pulsa cualquiera de los botones "K<sub>7</sub>" para seleccionar la función My Zone, el zumbador suena una vez más y el indicador "M" (función Quick Cool) se ilumina, entonces la función QuickCool se activará. Las opciones de la función My Zone son "Fruit&Veg, QuickCool y 0°C Fresh" sucesivamente.

## **i** AVISO

- Quando el frigorífico se enciende por primera vez, el indicador "L" se ilumina y las zonas My Zone se ajustan automáticamente a la función QuickCool. Uno de los tres indicadores de My Zone debe estar iluminado. Cuando vuelva a seleccionar la función My Zone, no se podrá seleccionar el indicador My Zone previamente encendido. Sólo se puede configurar una de las tres funciones. Las tres funciones se excluyen mutuamente.
- El número de ajuste de la temperatura de almacenamiento de My Zone no puede ser superior al número de ajuste de la temperatura de la nevera.
- Para reducir la temperatura del compartimento frigorífico, utilice la función 0°C Fresh. Para aumentarla, utilice la función Fruit&Veg.

## Cajón My Zone

El compartimento frigorífico está equipado con un cajón My Zone. De acuerdo con las necesidades de almacenamiento de los alimentos, se puede seleccionar la temperatura más adecuada para obtener el valor nutricional óptimo de los alimentos. Están disponibles los siguientes modos.

### Función Fruit&Veg

Esta función es adecuada para almacenar frutas y verduras como manzanas y zanahorias, etc.

### Función QuickCool

Esta función es adecuada para almacenar bebidas como coca-cola, cerveza, etc.



### AVISO: Fruit&Veg

Las frutas sensibles al frío como la piña, el aguacate, los plátanos o los pomelos, y las verduras como las patatas, las berenjenas, las judías, los pepinos, los calabacines o los tomates, así como el queso, no deben guardarse en el cajón My Zone.

### Función 0°C Fresh

Esta función ajusta la temperatura del cajón My Zone a 0 °C. Adecuado para almacenar alimentos frescos como carne o productos instantáneos. La mayoría de los alimentos permanecen frescos a 0 °C, pero no congelados.



### AVISO: 0°C Fresh

1. Debido a los diferentes contenidos de agua de la carne, algunas carnes con más humedad se congelarán a temperaturas inferiores a 0 °C. Así pues, la carne "cortada inmediatamente" debe almacenarse en el cajón My Zone, con temperaturas mínimas de 0 °C.
2. Cuando elija 0°C Fresh, ajuste la temperatura del compartimento frigorífico en el nivel bajo (por debajo de 5 °C) para conservar su comida en un ambiente de conservación óptimo.

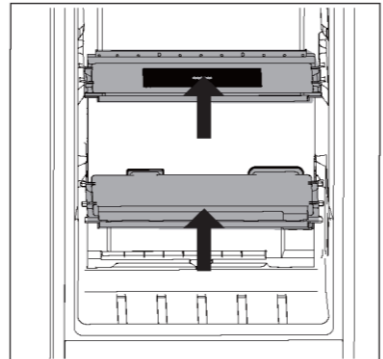
## Cajón Humidity Zone

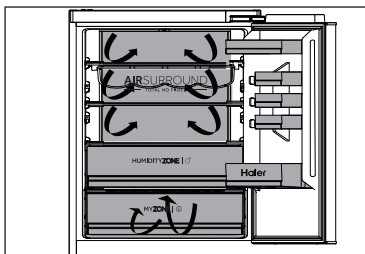
En este compartimento el nivel de humedad es superior al del compartimento del frigorífico. Se controla automáticamente mediante el sistema y es adecuado para almacenar frutas, verduras, ensaladas, etc.



### AVISO

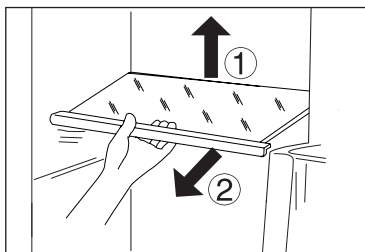
1. No retire la cubierta de plástico del interior de las dos zonas.
2. Mantienen la humedad.
3. No se recomienda guardar en estos dos cajones frutas sensibles al frío como piña, aguacate, plátanos o pomelos.





### Flujo de aire múltiple

1. El frigorífico está equipado con un sistema de flujo de aire múltiple, con el que se aseguran corrientes de aire frío en cada nivel de estante. Esto ayuda a mantener una temperatura uniforme para asegurar que sus alimentos se mantienen frescos por más tiempo.



### Estantes ajustables

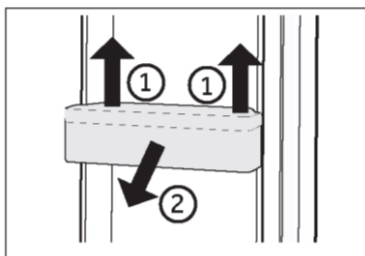
1. La altura de los estantes se puede ajustar para adaptarse a sus necesidades de almacenamiento.
2. Para reubicar un estante, retírelo primero levantando su borde posterior ① y extráigalo ②.
3. Para volver a instalarlo, colóquelo en los rieles de ambos lados y empuje hasta que la parte trasera del estante se fije dentro de las ranuras laterales.

## **i** AVISO

Asegúrese de que todos los extremos del estante estén nivelados.

### Estantes de puerta/soportes para botellas desmontables

1. Los estantes de la puerta se pueden desmontar para limpiarlos:
2. Coloque las manos en cada lado del estante, levántelo hacia arriba ① y extráigalo ②.
3. Para insertar el estante de la puerta, realice los pasos anteriores en orden inverso.



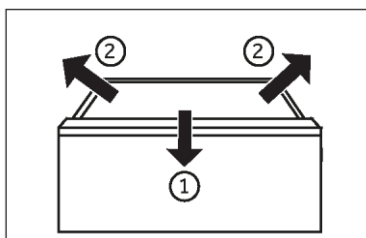
## **i** AVISO

Cuando se enciende el aparato, pueden pasar hasta 12 horas hasta que se alcancen las temperaturas correctas.

### Cajón extraíble

Para sacar el cajón, tire al máximo ①, levante y retire. ②

Para insertar el cajón, realice los pasos anteriores en orden inverso.



### Luz

La luz interior LED se enciende al abrir la puerta. El rendimiento de las luces no se ve afectado por ninguna de las otras configuraciones del electrodoméstico.



## Consejos de ahorro de energía

- ▶ Asegúrese de que el electrodoméstico esté bien ventilado (vea INSTALACIÓN).
- ▶ No instale el electrodoméstico bajo la luz directa del sol o cerca de fuentes de calor (p. ej.: fogones, estufas...).
- ▶ Evite una temperatura innecesariamente baja en el electrodoméstico. El consumo de energía aumenta la temperatura del electrodoméstico.
- ▶ Las funciones como Super Freeze consumen más energía.
- ▶ Deje enfriar los alimentos calientes antes de introducirlos en el electrodoméstico.
- ▶ Abra la puerta del electrodoméstico lo menos y lo más brevemente posible.
- ▶ No llene en exceso el electrodoméstico para evitar obstruir la circulación de aire.
- ▶ Evite la presencia de aire dentro del embalaje de los alimentos.
- ▶ Mantenga las juntas de la puerta limpias para que la puerta se cierre siempre correctamente.
- ▶ Descongele los alimentos congelados en el compartimento frigorífico.
- ▶ La configuración de más ahorro energético requiere que el electrodoméstico mantenga los cajones, las cajas de alimentos y los estantes en condiciones de fábrica, y los alimentos deben colocarse lo más lejos posible sin bloquear la salida de aire del conducto.



## ¡ADVERTENCIA!

Desconecte el electrodoméstico de la fuente de alimentación antes de limpiarlo.

### Limpieza

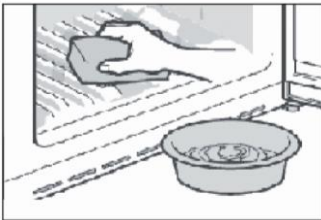
Limpie el electrodoméstico solo cuando haya pocos o ningún alimento guardado.

Este electrodoméstico debe limpiarse cada cuatro semanas para realizar un buen mantenimiento y evitar malos olores.



## ¡ADVERTENCIA!

- ▶ No limpie el electrodoméstico con cepillos duros, cepillos de alambre, detergente en polvo, gasolina, acetato de amilo, acetona y soluciones orgánicas similares, soluciones ácidas o alcalinas. Limpie con un detergente especial para frigoríficos para evitar daños.
- ▶ No rocíe ni enjuague el electrodoméstico durante la limpieza.
- ▶ No use agua pulverizada o vapor para limpiar el electrodoméstico.
- ▶ No limpie los estantes de cristal fríos con agua caliente. Un cambio repentino de temperatura puede causar que el cristal se rompa.
- ▶ No toque la superficie interior del compartimento del electrodoméstico, especialmente con las manos mojadas, ya que las manos pueden congelarse en la superficie.
- ▶ En caso de calentamiento, compruebe el estado de los productos congelados.



- ▶ Mantenga siempre limpia la junta de la puerta.
- ▶ Limpie el interior y el armazón del electrodoméstico con una esponja humedecida en agua tibia y detergente neutro.
- ▶ 1. Frote el interior y el exterior del frigorífico, incluyendo la junta de la puerta, los estantes de la puerta, los estantes de cristal, los cajones, etc., con una toalla suave o una esponja sumergida en agua caliente (se puede añadir detergente neutro).
- ▶ 2. Si hay líquido derramado, retire todas las piezas contaminadas, enjuague directamente con agua corriente, seque y coloque las piezas de nuevo en el frigorífico.
- ▶ 3. Si hay productos cremosos derramados (como nata, helado derretido...), retire todas las piezas contaminadas, póngalas en agua caliente a unos 40 °C durante un rato, enjuague con agua corriente, séquelas y colóquelas de nuevo en el frigorífico.
- ▶ 4. En caso de que alguna pieza pequeña o componente se quede atascado en el interior del frigorífico (entre los estantes o cajones), utilice un cepillo suave pequeño para sacarlo. Si no logra alcanzar la pieza, póngase en contacto con el servicio técnico de Haier
- ▶ Aclare y seque con un paño suave.
- ▶ No limpie ninguna de las piezas o partes de este electrodoméstico en un lavavajillas.
- ▶ Deje pasar al menos 5 minutos antes de reiniciar el electrodoméstico, ya que el arranque frecuente puede dañar el compresor.

### Descongelación

La descongelación de los compartimentos frigorífico y congelador se realiza automáticamente: no se requiere ninguna operación manual.

## Sustitución de las lámparas LED



### ¡ADVERTENCIA!

No sustituya usted mismo la lámpara LED, solo debe cambiarla el fabricante o un técnico autorizado.

Las lámparas utilizan LED como fuente de luz, con bajo consumo energético y larga vida útil. Si detecta alguna anomalía, póngase en contacto con el servicio de atención al cliente. Vea ATENCIÓN AL CLIENTE.

Parámetros de las lámparas:

Compartimento refrigerador: 12 V máx. 2 W

Compartimento congelador: 12 V máx. 2 W

### Si no se utiliza durante un período más largo

Si el electrodoméstico no se utiliza durante un período prolongado de tiempo y no usará la función Holiday para el frigorífico:

Saque la comida.

Desenchufe el cable de la toma de corriente.

Limpie el electrodoméstico como se ha descrito anteriormente.

Mantenga las puertas abiertas para evitar que se generen malos olores en el interior.



### AVISO

Apague el electrodoméstico solo si es estrictamente necesario.

### Desplazar el electrodoméstico

1. Retire toda la comida y desenchufe el electrodoméstico.
2. Fije los estantes y otras partes móviles en el frigorífico y el congelador con cinta adhesiva.
3. No incline el frigorífico más de 45° para evitar dañar el sistema de refrigeración.



### ¡ADVERTENCIA!

- ▶ No levante el electrodoméstico por las asas.
- ▶ No coloque el electrodoméstico horizontalmente sobre el suelo.



Usted mismo puede resolver muchos de los problemas que puedan presentarse sin tener conocimientos específicos. En caso de que se produzca algún problema, compruebe todas las posibilidades ilustradas y siga las instrucciones pertinentes antes de ponerse en contacto con un servicio posventa. Vea ATENCIÓN AL CLIENTE.



## ¡ADVERTENCIA!

- ▶ Antes de realizar tareas de mantenimiento, desactive el electrodoméstico y desconecte el enchufe de la toma de corriente.
- ▶ Los equipos eléctricos solo deben ser revisados y manejados por electricistas expertos cualificados, ya que las reparaciones incorrectas pueden causar daños considerables en consecuencia.
- ▶ Si el sistema de alimentación está dañado, debe ser sustituido por el fabricante, por su servicio técnico o por cualquier profesional cualificado similar para evitar riesgos.

Problema	Causa posible	Solución posible
El compresor no funciona.	<ul style="list-style-type: none"> <li>• El enchufe no está conectado a la toma de corriente.</li> <li>• El electrodoméstico está en el ciclo de descongelación</li> </ul>	<ul style="list-style-type: none"> <li>• Conecte el enchufe.</li> <li>• Esto es normal para una descongelación automática</li> </ul>
El electrodoméstico funciona con frecuencia o funciona durante un período de tiempo demasiado largo.	<ul style="list-style-type: none"> <li>• La temperatura interior o exterior es demasiado alta.</li> <li>• El electrodoméstico ha estado apagado durante cierto de tiempo.</li> <li>• Una puerta del electrodoméstico no está bien cerrada.</li> <li>• La puerta se ha abierto con demasiada frecuencia o durante mucho tiempo.</li> <li>• El ajuste de temperatura del compartimento congelador es demasiado bajo.</li> <li>• La junta de la puerta está sucia, desgastada, agrietada o desparejada.</li> <li>• La circulación de aire requerida no está garantizada.</li> </ul>	<ul style="list-style-type: none"> <li>• En este caso, es normal que el electrodoméstico funcione más tiempo.</li> <li>• Normalmente, lleva de 8 a 12 horas que el electrodoméstico se enfríe completamente.</li> <li>• Cierre la puerta/cajón y asegúrese de que el electrodoméstico esté ubicado sobre una superficie plana y que no haya alimentos o recipientes que impidan que la puerta se cierre bien.</li> <li>• No abra la puerta/cajón con demasiada frecuencia.</li> <li>• Ajuste una temperatura más alta hasta obtener una temperatura satisfactoria para el frigorífico. Se necesitan 24 horas para que la temperatura del frigorífico se mantenga estable.</li> <li>• Limpie la junta de la puerta/cajón o pídales al servicio de atención al cliente que la cambie.</li> <li>• Garantice una ventilación adecuada.</li> </ul>
El interior del frigorífico está sucio y/o huele mal.	<ul style="list-style-type: none"> <li>• El interior del frigorífico necesita limpieza.</li> <li>• Hay alimentos de olor fuerte guardados en el frigorífico.</li> </ul>	<ul style="list-style-type: none"> <li>• Limpie el interior del frigorífico.</li> <li>• Envuelva bien los alimentos.</li> </ul>

Problema	Causa posible	Solución posible
La temperatura del interior del electrodoméstico no es lo suficientemente fría.	<ul style="list-style-type: none"> <li>• La temperatura establecida es demasiado alta.</li> <li>• Se han almacenado alimentos demasiado calientes.</li> <li>• Se ha almacenado demasiada comida a la vez.</li> <li>• Los alimentos están demasiado cerca entre sí.</li> <li>• Una puerta/cajón del electrodoméstico no está bien cerrada.</li> <li>• La puerta/cajón se ha abierto con demasiada frecuencia o durante mucho tiempo.</li> </ul>	<ul style="list-style-type: none"> <li>• Restablezca la temperatura.</li> <li>• Enfríe siempre los alimentos antes de guardarlos.</li> <li>• Guarde siempre pequeñas cantidades de alimentos.</li> <li>• Deje un espacio entre varios alimentos para permitir que el aire fluya.</li> <li>• Cierre la puerta/cajón.</li> <li>• No abra la puerta/cajón con demasiada frecuencia.</li> </ul>
La temperatura del interior del electrodoméstico es demasiado fría.	<ul style="list-style-type: none"> <li>• La temperatura establecida es demasiado baja.</li> <li>• La función Super Freeze/Super Cool está activada o ha estado funcionando demasiado tiempo.</li> </ul>	<ul style="list-style-type: none"> <li>• Restablezca la temperatura.</li> <li>• Apague la función Super Freeze/Super Cool.</li> </ul>
Formación de humedad en el interior del compartimento frigorífico.	<ul style="list-style-type: none"> <li>• El clima es demasiado cálido y húmedo.</li> <li>• Una puerta/cajón del electrodoméstico no está bien cerrada.</li> <li>• La puerta/cajón se ha abierto con demasiada frecuencia o durante mucho tiempo.</li> <li>• Hay recipientes de alimentos o líquidos abiertos.</li> </ul>	<ul style="list-style-type: none"> <li>• Aumente la temperatura.</li> <li>• Cierre la puerta/cajón.</li> <li>• No abra la puerta/cajón con demasiada frecuencia.</li> <li>• Deje que los alimentos calientes se enfríen a temperatura ambiente y cubra los alimentos y líquidos.</li> </ul>
Se acumula humedad fuera de la superficie o entre las puertas/ puerta y cajón.	<ul style="list-style-type: none"> <li>• El ambiente es demasiado cálido y demasiado húmedo.</li> <li>• La puerta no está bien cerrada. Hay aire frío dentro del electrodoméstico y aire caliente en el exterior, y se produce condensación.</li> </ul>	<ul style="list-style-type: none"> <li>• Esto es normal en un ambiente húmedo y cambiará cuando la humedad disminuya.</li> <li>• Asegúrese de que la puerta/cajón está bien cerrada.</li> </ul>
La luz de la pantalla funciona pero no se siente fría.	Está en modo demo.	<ul style="list-style-type: none"> <li>• Tenga en cuenta en qué condición se encuentra; si está en modo Demostración, salga. Salir: Mantenga presionado el botón "ECO" y haga clic en la tecla "Super Freeze" 5 veces en 5 segundos.</li> </ul>

Problema	Causa posible	Solución posible
Hay mucho hielo y escarcha en el compartimento congelador.	<ul style="list-style-type: none"> <li>• Los alimentos no están correctamente embalados.</li> <li>• Una puerta/cajón del electrodoméstico no está bien cerrada.</li> <li>• La puerta/cajón se ha abierto con demasiada frecuencia o durante mucho tiempo.</li> <li>• La junta de la puerta/cajón está sucia, desgastada, agrietada o desaparejada.</li> <li>• Algo en el interior impide que la puerta/cajón se cierren correctamente.</li> </ul>	<ul style="list-style-type: none"> <li>• Embale bien los alimentos.</li> <li>• Cierre la puerta/cajón.</li> <li>• No abra la puerta/cajón con demasiada frecuencia.</li> <li>• Limpie la junta de la puerta/cajón o cámbiela por una nueva.</li> <li>• Vuelva a colocar los estantes, estantes de la puerta o contenedores internos para permitir que la puerta/cajón se cierre.</li> </ul>
Los lados del frigorífico y la tira de la puerta se calientan.	<ul style="list-style-type: none"> <li>• -</li> </ul>	<ul style="list-style-type: none"> <li>• Esto es normal.</li> </ul>
El electrodoméstico hace sonidos anormales.	<ul style="list-style-type: none"> <li>• El electrodoméstico no está ubicado sobre una superficie plana.</li> <li>• El electrodoméstico toca algún objeto a su alrededor.</li> </ul>	<ul style="list-style-type: none"> <li>• Ajuste las patas para nivelar el electrodoméstico.</li> <li>• Retire los objetos que haya alrededor del electrodoméstico.</li> </ul>
Se oye un ligero sonido similar al del flujo de agua.	<ul style="list-style-type: none"> <li>• -</li> </ul>	<ul style="list-style-type: none"> <li>• Esto es normal.</li> </ul>
Oirá un pitido de alarma.	<ul style="list-style-type: none"> <li>• La puerta del compartimento frigorífico está abierta.</li> </ul>	<ul style="list-style-type: none"> <li>• Cierre la puerta.</li> </ul>
Oirá un débil zumbido.	<ul style="list-style-type: none"> <li>• El sistema anticondensación está en marcha</li> </ul>	<ul style="list-style-type: none"> <li>• Esto evita la condensación y es normal</li> </ul>
El sistema de iluminación o refrigeración interior no funciona.	<ul style="list-style-type: none"> <li>• El enchufe no está conectado a la toma de corriente.</li> <li>• La fuente de alimentación presenta alguna alteración.</li> <li>• La lámpara LED no funciona.</li> </ul>	<ul style="list-style-type: none"> <li>• Conecte el enchufe.</li> <li>• Compruebe el suministro eléctrico a la habitación. Llame a la compañía eléctrica local.</li> <li>• Llame al servicio técnico para cambiar la lámpara.</li> </ul>

Para ponerse en contacto con el servicio de asistencia técnica, visite nuestro sitio web: <https://corporate.haier-europe.com/en/>

En la sección “website”, elija la marca de su producto y su país. Se le redirigirá a la página web específica donde podrá encontrar el teléfono y el formulario para ponerse en contacto con la asistencia técnica.

### **Interrupción del suministro**

En caso de un corte de luz, los alimentos deberían permanecer frescos y a salvo durante 5 horas. Siga estos consejos durante una interrupción prolongada del suministro, especialmente en verano:

- ▶ Abra la puerta/cajón lo menos posible.
- ▶ No introduzca más alimentos en el electrodoméstico durante un corte de luz.
- ▶ Si se da el aviso previo de un corte de luz y la duración de la interrupción es superior a 5 horas, fabrique algo de hielo y póngalo en un recipiente en la parte superior del compartimento frigorífico.
- ▶ Inmediatamente después de la interrupción, es necesario llevar a cabo una inspección de los alimentos.
- ▶ Como la temperatura del frigorífico subirá durante una interrupción del suministro eléctrico u otro fallo, el período de conservación y la calidad comestible de los alimentos se reducirán. Cualquier alimento que se descongele debe consumirse, o bien cocinarse y volver a congelarse (cuando proceda) rápidamente para evitar riesgos para la salud.

### **Función de memoria durante el corte de luz**

Una vez restablecido el suministro eléctrico, el electrodoméstico continuará con los ajustes establecidos antes del fallo de suministro.

**Desempaquetado**



**¡ADVERTENCIA!**

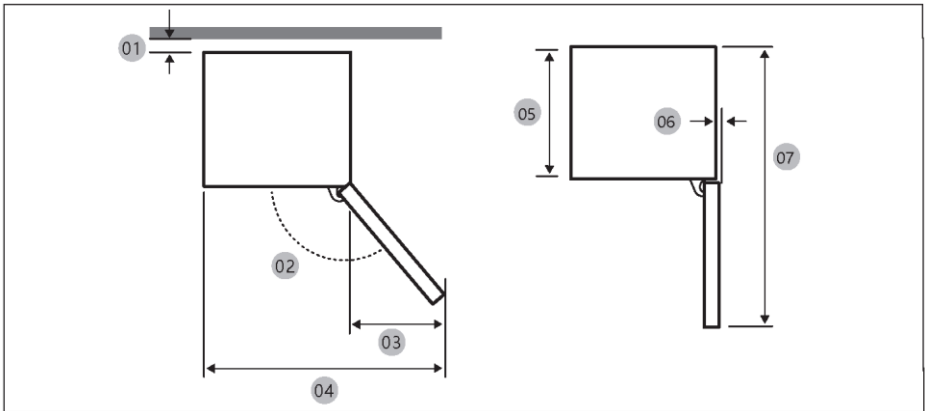
- ▶ El aparato es pesado/ Manipúlelo siempre con al menos dos personas.
- ▶ Mantenga todo el material de embalaje fuera del alcance de los niños y deséchelo de forma respetuosa con el medio ambiente.
- ▶ Saque el electrodoméstico de su embalaje.
- ▶ Retire todos los materiales de embalaje.

**Condiciones ambientales**

La temperatura ambiente debería encontrarse siempre entre 10° C y 43° C, ya que puede influir en la temperatura del interior del frigorífico y en su consumo de energía. No instale el electrodoméstico cerca de otros electrodomésticos emisores de calor (hornos, neveras) sin aislamiento.

**Requisitos de espacio**

Espacio necesario cuando la puerta está abierta (sin panel de puerta de armario)

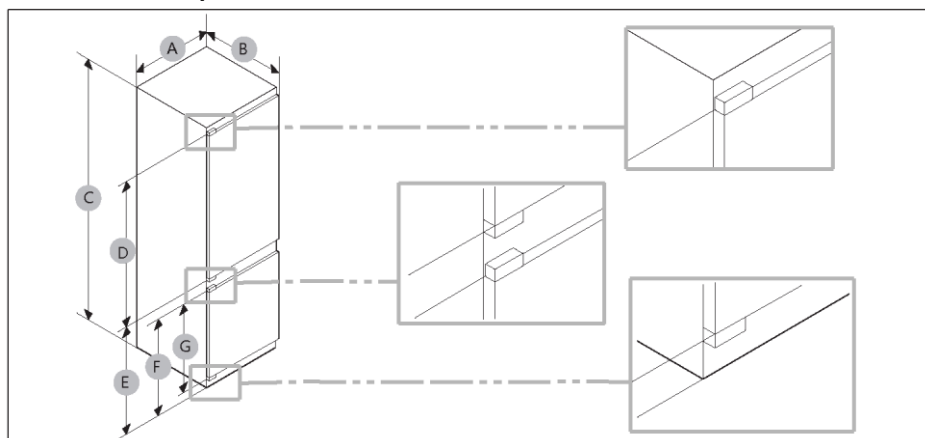


Modelo	HBW7518C HBW7518DT
01 *	10 (Mín.) / 30 (Recomendado)
02	95° (Recomendado)
03	43
04	583
05	515
06	-3
07	1060

(unidad: mm)

\* 01 Desde el armario hasta la parte trasera del producto.

## Dimensiones del producto



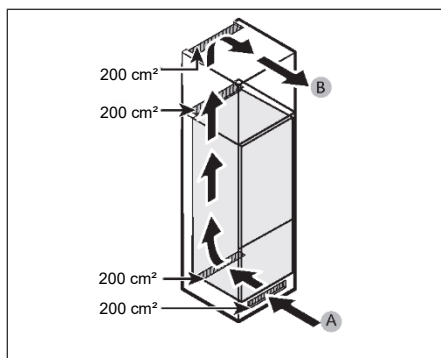
Modelo	A(mm)	B(mm)	C(mm)	D(mm)	E(mm)	F(mm)	G(mm)
HBW7518C HBW7518DT	540±2	550±2	1772±2	970	745	662	618

## **i** AVISO

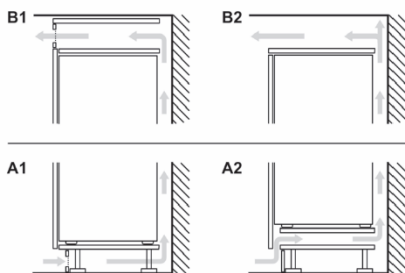
- El consumo de energía especificado se basa en la condición de una separación de 10 mm entre el armario y la parte trasera del producto. El producto funcionará correctamente incluso con una separación inferior a 10 mm, aunque consume algo más de energía.
- Recomendamos utilizar un armario de 18 mm de grosor con bisagras de menos de 20 mm.
- Las medidas de la tabla anterior pueden variar en función del método de medición.
- Para la instalación integrada, consulte la Guía de instalación.

### Sección cruzada de ventilación

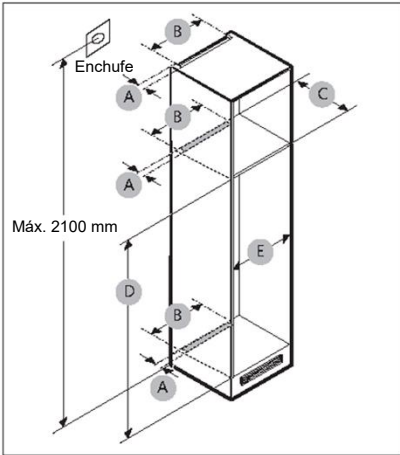
Para lograr una ventilación suficiente del electrodoméstico por razones de seguridad, debe observarse la información de las secciones cruzadas de ventilación requeridas.



**A:** Entrada de aire  $\geq 200 \text{ cm}^2$ ; opciones de ventilación  
**B:** Salida de aire  $\geq 200 \text{ cm}^2$ ; opciones de ventilación



### Dimensiones del mueble



### ¡PRECAUCIÓN!

Cualquier fallo del producto debido a lo siguiente no está cubierto por la Garantía.

1. Condiciones inadecuadas del emplazamiento o tamaños incorrectos de los armarios.
2. Armario defectuoso.
3. Errores del instalador o del usuario.

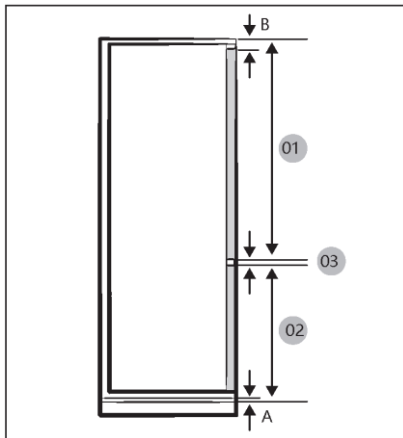
### Espacio libre

Consulte las imágenes y tablas siguientes para conocer los requisitos de espacio para la instalación.

Modelo		A (mm)	B (mm)	C (mm)	D (mm)	E (mm)	Observación
HBW7518C HBW7518DT	Mín.	50	400	560	1778	560	Bisagra: 17 mm
	Recomendado			580	1780	562	
	Máx.			-	1782	568	

**i** AVISO

- Si la anchura de un armario es superior a 568 mm, la junta (entre el frigorífico y el armario) puede aflojarse.
- Si el mueble es más alto que la dimensión máxima (1782 mm), deberá utilizar otros materiales de acabado para rellenar el hueco.



**i** AVISO

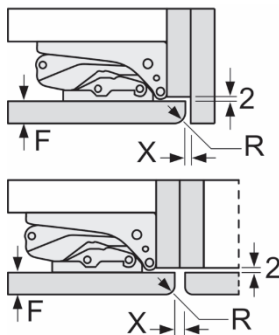
Para instalar un armario que requiera una separación de 4 mm (03), consulte la tabla de referencia de armarios que figura a continuación.

- A. Borde inferior del panel frontal por encima de la ventilación de aire
- B. Voladizo del panel frontal

(unidad: mm)

Modelo	HBW7518C HBW7518DT
01	Min. 1028+B Max. 1106+B
02	Min. 662+A Max. 740+A
03	4 mm (separación entre los paneles de las puertas del frigorífico y el congelador)

**Dimensiones de separación recomendadas para bisagras planas (para bisagras de tipo fijo o suave).**



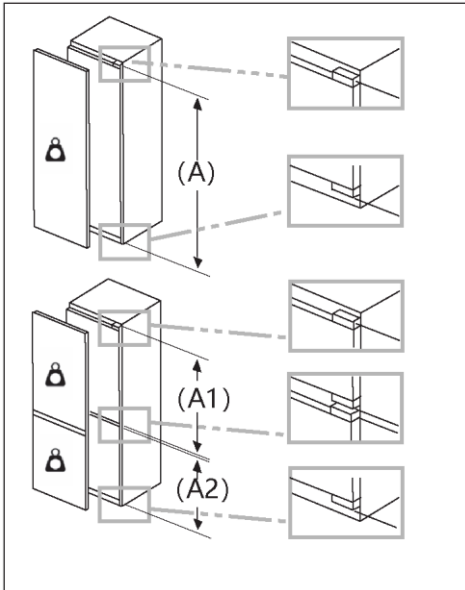
(unidad: mm)

F	R	X
16-19	0-3	2,5
20	0-1	3
	2-3	2,5
21	0-1	3
	2-3	2,5
22	0	4
	1	3,5
	2-3	3

Las dimensiones de hueco recomendadas en la tabla deben respetarse para garantizar que las puertas de los electrodomésticos no choquen con nada al abrirse y evitar causar daños a los muebles de cocina.



## Peso máximo admisible de los frentes de los muebles



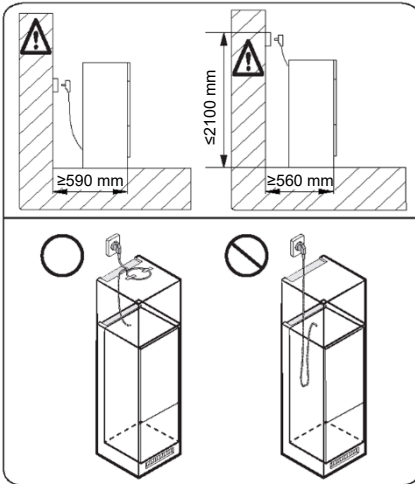
Los frentes de muebles montados que superen el peso admisible pueden provocar daños y afectar al funcionamiento de las bisagras.



**Peso**  
(kg)

1500-1750 mm	22
720-1400 mm	19
A1	15
A2	15

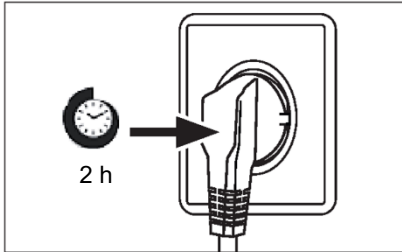
## Consideración de la ubicación de la toma de corriente y el espacio necesario



### AVISO

Si instala el frigorífico en un armario con una profundidad de 560 mm, asegúrese de que el cable de alimentación está dispuesto en un lateral del frigorífico antes de enchufarlo a una toma de corriente. Si el cable de alimentación está en la parte trasera del frigorífico, podría disminuir la eficiencia energética.

### Tiempo de espera



El aceite de lubricación sin mantenimiento se encuentra en la cápsula del compresor. Este aceite puede pasar por el sistema de tuberías cerradas durante el transporte si el electrodoméstico está inclinado. Antes de conectar el electrodoméstico a la fuente de alimentación, espere al menos 2 horas para que el aceite vuelva a entrar en la cápsula.

### Conexión eléctrica

Antes de cada conexión, compruebe si:

- ▶ La fuente de alimentación, la toma de corriente y el fusible son adecuados para la placa de clasificación.
- ▶ La toma de corriente tiene conexión a tierra y no tiene múltiples contactos ni extensiones.
- ▶ El enchufe y la toma de corriente encajan perfectamente.

Conecte el enchufe a una toma de corriente doméstica correctamente instalada.



## ¡ADVERTENCIA!

Para evitar riesgos, solo el servicio de atención al cliente debe reemplazar un cable de alimentación dañado (ver tarjeta de garantía).

Ficha del producto conforme al Reglamento UE n.º 2019/2016

Marca	Haier	Haier
Nombre/identificador del modelo	HBW7518C	HBW7518DT
Categoría del modelo	Frigorífico congelador	Frigorífico congelador
Clase de eficiencia energética	C	D
Consumo anual de energía (kWh/año)(1)	146	180
Volumen total (L)	268	268
Volumen frigorífico(L)	182	182
Volumen congelador(L)	86	86
Volumen de la sección de refrigeración (L)	/	/
Volumen del fabricante de hielo automático (L)	/	/
Estrellas	4	4
Temperatura de otros compartimentos > 14 °C	No aplicable	No aplicable
Sistema Frost-free	Sí	Sí
Capacidad de congelación (kg/24 h)	8	8
Clasificación climática(2)	SN/N/ST/T	SN/N/ST/T
Clase de emisión de ruido y emisiones de ruido acústico en el aire (db (A) re1pW)	B 32	B 32
Tiempo de aumento de la temperatura (h)	12	11
Capacidad de fabricación de hielo	/	/
Tipo de electrodoméstico	incorporado	incorporado

Nombre del modelo	Clase de eficiencia energética
HBW7518C	C
HBW7518DT	D

Explicaciones:

• Sí

- (1) Basado en los resultados de la prueba de conformidad normativa durante 24 horas. El consumo real depende del uso y de la ubicación del electrodoméstico.
- (2) Calificación climática SN: Este electrodoméstico está diseñado para ser utilizado a una temperatura ambiente comprendida entre + 10 °C y +32 °C  
 Calificación climática N: Este electrodoméstico está diseñado para ser utilizado a una temperatura ambiente comprendida entre + 16 °C y +32 °C  
 Calificación climática ST: Este electrodoméstico está diseñado para ser utilizado a una temperatura ambiente comprendida entre + 16 °C y +38 °C  
 Calificación climática T: Este electrodoméstico está diseñado para ser utilizado a una temperatura ambiente comprendida entre + 16 °C y +43 °C

#### Datos técnicos adicionales

Voltaje / Frecuencia	220-240V ~/ 50Hz
Corriente de entrada (A)	2
Fusible principal (A)	16
Refrigerante	R600a
Tamaño (Al/An/Pr en mm)	1772/540/550

Recomendamos nuestro Servicio de atención al cliente Haier y el uso de repuestos originales.

Si tiene algún problema con su electrodoméstico, compruebe primero la sección SOLUCIÓN DE PROBLEMAS.

Si no encuentra una solución allí, póngase en contacto con

- ▶ su distribuidor local o
- ▶ nuestro Centro europeo de atención al cliente (ver números de teléfono listados abajo) o
- ▶ el área de servicio y asistencia en [www.haier.com](http://www.haier.com), donde puede activar la
- ▶ solicitud de servicio y encontrar las Preguntas frecuentes.

Para ponerse en contacto con nuestro Servicio, asegúrese de tener los siguientes datos disponibles.

Puede encontrar la información en la placa de datos.

Modelo \_\_\_\_\_

N.º de serie \_\_\_\_\_

Compruebe también la tarjeta de garantía suministrada con el producto en caso de garantía.

Centro europeo de atención al cliente		
País*	Número de teléfono	Costes
Haier Italy (IT)	199 100 912	
Haier Spain (ES)	902 509 123	
Haier Germany (DE)	0180 5 39 39 99	<ul style="list-style-type: none"> <li>• 14 ct/min teléfono fijo</li> <li>• máx. 42 ct/min móvil</li> </ul>
Haier Austria (AT)	0820 001 205	<ul style="list-style-type: none"> <li>• 14,53 ct/min teléfono fijo</li> <li>• máx. 20 ct/min el resto</li> </ul>
Haier United Kingdom (UK)	0333 003 8122	
Haier France (FR)	0980 406 409	

\* Para otros países, consulte [www.haier.com](http://www.haier.com)

Haier Europe Trading S.r.l

Sucursal Reino Unido

Westgate House, Westgate, Ealing

Londres, W5 1YY

\*Duración de la garantía del electrodoméstico de refrigeración:

La garantía mínima es de: 2 años para los países de la UE, 3 años para Turquía, 1 año para el Reino Unido, 1 año para Rusia, 3 años para Suecia, 2 años para Serbia, 5 años para Noruega, 1 año para Marruecos, 6 meses para Argelia, Túnez sin garantía legal, al no requerirse.

\*El período de piezas de repuesto para la reparación del aparato:

Los termostatos, los sensores de temperatura, las placas de circuito impresas y las fuentes de luz están disponibles durante un período mínimo de 7 años después de la comercialización de la última unidad del modelo en el mercado.

Las asas, bisagras, bandejas y cestas lo están durante un período mínimo de 7 años, y las juntas durante un período mínimo de 10 años después de la comercialización de la última unidad del modelo en el mercado.

\*Para más información sobre el producto, consulte <https://eprel.ec.europa.eu/> o escanee el código QR en la etiqueta energética suministrada con el electrodoméstico.

The Haier logo is displayed in a bold, black, sans-serif font. The background of the page features a white background with several large, overlapping geometric shapes in shades of gray and dark gray, creating a modern, abstract design.

专用号条码

0060536192  
2024 Version A

# Haier

## Manuel d'utilisation

Réfrigérateur-congélateur  
HBW7518C  
HBW7518DT

EN

CZ

DE

EL

ES

FR

HU

IT

NL

PL

PT

RO

FR





**WARNING: Risk of fire/flammable material** **EN**  
The symbol indicates there is a risk of fire since flammable materials are used. Take care to avoid causing a fire by ingiting flammable material.

**VAROVÁNÍ: Nebezpečí Požáru/Hořlavého Materiálu** **CZ**

Symbol označuje riziko požáru, protože byly použity hořlavé materiály. Dbejte na to, aby nedošlo ke vzniku požáru zapálením hořlavého materiálu.

**WARNUNG: Brandgefahr/brennbares Material** **DE**

Das Symbol weist auf Brandgefahr hin, da brennbare Materialien verwendet werden. Verhindern Sie die Entstehung von Bränden, die durch entflammbare Materialien verursacht werden.

**ΠΡΟΣΟΧΗ: Κίνδυνος: φωτιάς/εύφλεκτο υλικό** **EL**

Το σύμβολο υποδεικνύει ότι υπάρχει κίνδυνος φωτιάς επειδή χρησιμοποιούνται εύφλεκτα υλικά. Προσέχετε να αποφεύγετε την πρόκληση φωτιάς από ανάφλεξη εύφλεκτου υλικού.

**ADVERTENCIA: Riesgo de incendio o material inflamable** **ES**

El símbolo indica que existe riesgo de incendio, dado que se utilizan materiales inflamables. Se debe procurar evitar incendios medí ante la combustión de materiales inflamables.

**ATTENTION: Risque d'incendie ou de mati ères inflammables** **FR**

Le symbole montre qu'il y'a le risque de maté riaux inflammables sont utilisés. Prendre soin d'éviter de provoquer un incendie en ingérant des matières inflammables.

**FIGYELEM: Tűz / gyúlékony anyag veszélye** **HU**

A szimbólum azt jelzi, hogy tűzveszély áll fenn, mivel gyúlékony anyagokat használnak. Ügyeljen arra, hogy ne tegyen rá tűzveszélyes gyú lékony anyagot.

**ATTENZIONE: Rischio di incendio/materiale infiammabile** **IT**

Il simbolo indica il rischio di incendio nel caso di utilizzo di materiali infiammabili. Fare attenzione ed evitare l'insorgere di incendi a causa della caombustione di materiali infiammabili.

**WAARSCHUWING: Brandrisico / brandbaar materiaal** **NL**

Het systeem geeft aan dat er een brandrisico bestaat aangezien brandbaar materiaal wordt gebruikt. Zorg ervoor dat er geen brand wordt veroorzaakt door brandbaat materiaal te ont steken.

**OSTRZEŽENIE: Ryzyko pożaru/materiał łatwopalny** **PL**

Symbol wskazuje, że istnieje ryzyko pożaru, ponieważ używane są materiały łatwopalne. Dbaj o to, aby uniknąć pożaru poprzez zapale nie łatwopalnego materiału.

**AVISO: Risco de incêndio e material inflamável** **PT**

O símbolo indica que existe um risco de incêndio, uma vez que são utilizados materiais inflamáveis. Tenha cuidado para evitar provocar um incêndio acendendo material inflamável.

**AVERTISMENT: Risc de incendiu/material inflamabil** **RO**

Simbolul indică că există risc de incendiu deoarece sunt folosite materiale inflamabile. Aveți grijă și evitați incendiile aprinzând mate riale inflamabile.

<u>5 Informations sur la sécurité</u>	•	<u>Avant la première utilisation</u>	6
		<u>Installation</u>	6
		<u>Utilisation quotidienne</u>	7
		<u>Informations sur les gaz réfrigérants</u>	9
<u>10 Utilisation prévue</u>	•		
<u>11 Description du produit</u>	•		
<u>12 Panneau de commande</u>	•		
<u>13 Utilisation</u>	•	<u>Verrouillage/Déverrouillage du panneau</u>	13
		<u>Régler la température du réfrigérateur</u>	13
		<u>Régler la température du congélateur</u>	13
		<u>Fonction d'interconnexion</u>	14
		<u>Fonction ÉCO</u>	15
		<u>Fonction Holiday</u>	15
		<u>Fonction Super Cool</u>	15
		<u>Fonction Super Freeze</u>	16
		<u>Sélection de la fonction My Zone</u>	17
<u>19 Matériel</u>	•		
<u>20 Conseils d'économie d'énergie</u>	•		
<u>21 Entretien et nettoyage</u>	•		
<u>23 Dépannage</u>	•		
<u>27 Installation</u>	•		
<u>33 Données techniques</u>	•		
<u>35 Service clientèle</u>	•		

## Merci d'avoir acheté un produit Haier.

Veuillez lire attentivement ces instructions avant d'utiliser cet appareil. Les instructions contiennent des informations importantes qui vous aideront à tirer le meilleur parti de l'appareil et à assurer l'installation, l'utilisation et l'entretien sûrs et appropriés de celui-ci.

Conservez ce manuel dans un endroit facilement accessible afin que vous puissiez toujours vous y référer pour une utilisation sûre et appropriée de l'appareil.

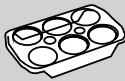
Si vous vendez l'appareil, si vous le donnez ou si vous le laissez lorsque vous déménagez, assurez-vous que vous transmettez également ce manuel pour que le nouveau propriétaire puisse se familiariser avec l'appareil et les consignes de sécurité.

## Accessoires

Vérifiez les accessoires et la littérature conformément à cette liste :



Bac à glaçons



Bac à oeufs



Étiquette énergétique



Carte de garantie



Manuel d'utilisation



Vis x4



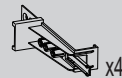
Couvercle x2



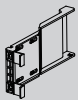
Bloc de mousse x2



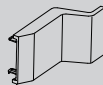
Guide de glissement x4



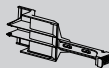
Ensemble coulissant x4



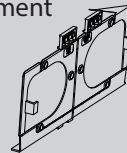
Plaque fixe



Couvercle de charnière



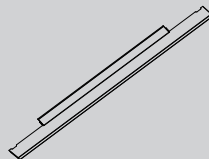
Plaque fixe II



Plaque fixe inférieure



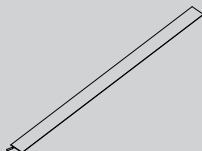
Plaque fixe supérieure



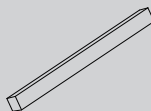
Couvercle inférieur



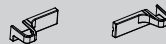
Couvercle latéral inférieur



Bande d'étanchéité



Éponge d'étanchéité



Couvercle de charnière inférieur

**AVERTISSEMENT : informations importantes sur la sécurité****REMARQUE : informations générales et conseils****Informations environnementales****Mise au rebut**

Contribuez à protéger l'environnement et la santé humaine. Jetez l'emballage dans les bacs correspondants pour le recycler. Participez au recyclage des déchets d'appareils électriques et électroniques. Ne jetez pas les appareils marqués de ce symbole avec les déchets ménagers. Ramenez le produit à votre déchetterie locale ou contactez votre bureau municipal.

**AVERTISSEMENT !**

Risque de blessure ou de suffocation !

Les frigorigènes et les gaz doivent être éliminés par un professionnel. Assurez-vous que le tube du circuit réfrigérant n'est pas endommagé avant d'être correctement éliminé. Débranchez l'appareil du secteur. Coupez le câble d'alimentation et jetez-le. Retirez les clayettes et les tiroirs ainsi que le verrou et les joints de la porte, afin d'éviter que les enfants et les animaux domestiques ne se retrouvent enfermés dans l'appareil.

## Avant d'allumer l'appareil pour la première fois, lisez les conseils de sécurité suivants :



### AVERTISSEMENT !

#### Avant la première utilisation

- ▶ Assurez-vous qu'il n'a pas été endommagé pendant le transport.
- ▶ Attendez au moins deux heures avant d'installer l'appareil afin de vous assurer que le circuit réfrigérant fonctionne parfaitement.
- ▶ Manipulez toujours l'appareil avec au moins deux personnes parce qu'il est lourd.
- ▶ Retirez tous les emballages, gardez-les hors de la portée des enfants, puis jetez-les d'une manière respectueuse de l'environnement.
- ▶ Nettoyez l'intérieur et l'extérieur de l'appareil avec de l'eau et un détergent doux avant d'y mettre des aliments.
- ▶ Une fois l'appareil à plat et nettoyé, attendez au moins 2 à 5 heures avant de le brancher à l'alimentation électrique. Voir la section INSTALLATION.
- ▶ Pré-réfrigérez les compartiments à des réglages élevés avant de les remplir d'aliments. La fonction Power-Freeze permet de refroidir rapidement les compartiments.
- ▶ La température du réfrigérateur et celle du congélateur sont réglées automatiquement sur 5 °C et -18 °C respectivement. Ce sont les paramètres recommandés. Si vous le souhaitez, vous pouvez modifier ces températures manuellement. Voir RÉGLAGE DE LA TEMPÉRATURE.

#### Installation

- ▶ L'appareil doit être placé dans un endroit bien ventilé. Garantissez un espace d'au moins 10 cm au-dessus et autour de l'appareil.
- ▶ Ne placez jamais l'appareil dans un endroit humide ou un endroit où il pourrait être éclaboussé d'eau. Nettoyez et séchez les éclaboussures d'eau et les taches avec un chiffon doux et propre.
- ▶ N'installez pas l'appareil en plein soleil ou à proximité de sources de chaleur (par ex. cuisinières, chauffages).
- ▶ Installez et mettez à niveau l'appareil dans une zone adaptée à sa taille et à son utilisation.
- ▶ Maintenez les ouvertures de ventilation situées dans l'appareil ou dans la structure encastrée libres de toute obstruction.
- ▶ Assurez-vous que les informations électriques figurant sur la plaque signalétique sont conformes à l'alimentation électrique. Si ce n'est pas le cas, contactez un électricien.
- ▶ L'appareil est alimenté par une alimentation de 220-240 VCA/50 Hz. Les variations anormales de tension peuvent provoquer l'arrêt de l'appareil ou endommager le régulateur de température ou le compresseur, ou il peut y avoir un bruit anormal lors du fonctionnement. Dans ce cas, un régulateur automatique doit être monté.
- ▶ N'utilisez pas d'adaptateurs multiprises ni de rallonges.
- ▶ Ne placez pas de systèmes multiprises portatifs ou d'alimentations portatives à l'arrière de l'appareil.
- ▶ Assurez-vous que le câble d'alimentation n'est pas coincé par le réfrigérateur. Ne marchez pas sur le câble d'alimentation.



## AVERTISSEMENT !

- ▶ Utilisez une prise de terre séparée pour l'alimentation électrique qui soit facile d'accès. L'appareil doit être mis à la terre.

Uniquement pour le Royaume-Uni : Le câble d'alimentation de l'appareil est équipé d'une fiche 3 pôles (de mise à la terre) qui s'adapte à une prise standard 3 pôles (de mise à la terre). Ne coupez jamais ou ne démontez jamais la troisième broche (mise à la terre). Une fois l'appareil installé, la fiche doit être accessible.

- ▶ N'endommagez pas le circuit réfrigérant.

### Utilisation quotidienne

- ▶ Cet appareil peut être utilisé par des enfants à partir de 8 ans et par des personnes ayant des capacités physiques, sensorielles ou mentales réduites ou un manque d'expérience et de connaissances, s'ils sont sous surveillance ou si on leur a appris à utiliser l'appareil en toute sécurité et s'ils comprennent les risques courus.
- ▶ Les enfants âgés de 3 à 8 ans sont autorisés à remplir et vider les appareils de réfrigération, mais ne sont pas autorisés à les nettoyer ni à les installer.
- ▶ Gardez les enfants âgés de moins de 3 ans à l'écart de l'appareil à moins qu'ils ne soient constamment surveillés.
- ▶ Les enfants ne doivent pas jouer avec l'appareil.
- ▶ Si du gaz réfrigérant ou tout autre gaz inflammable fuit à proximité de l'appareil, fermez la vanne du gaz qui fuit, ouvrez les portes et les fenêtres et ne débranchez pas le câble d'alimentation du réfrigérateur ou de tout autre appareil.
- ▶ Notez que l'appareil est conçu pour fonctionner dans une plage de température ambiante spécifique comprise entre 10 °C et 43 °C. L'appareil peut ne pas fonctionner correctement s'il est laissé pendant une longue période à une température inférieure ou supérieure à la plage indiquée.
- ▶ Ne placez pas d'objets instables (objets lourds, récipients remplis d'eau) sur le dessus du réfrigérateur, pour éviter les blessures corporelles causées par une chute ou une électrocution causée par le contact avec de l'eau.
- ▶ Ne tirez pas sur les balconnets. La porte peut être tirée en biais, le porte-bouteilles peut être retiré ou l'appareil risque de basculer.
- ▶ Ouvrez et fermez les portes uniquement avec les poignées. L'écart entre les portes et entre les portes et le compartiment est très étroit. Ne mettez pas vos mains dans ces zones pour éviter de vous pincer les doigts. Ouvrez ou fermez les portes du réfrigérateur uniquement lorsqu'il n'y a pas d'enfants dans le rayon de mouvement de la porte.



## AVERTISSEMENT !

- ▶ Ne conservez pas et n'utilisez pas de matières corrosives, explosives ou inflammables dans l'appareil ou à proximité.
- ▶ Ne conservez pas de médicaments, de bactéries ou d'agents chimiques dans l'appareil. Cet appareil est un appareil électroménager. Il n'est pas recommandé pour stocker des produits qui nécessitent des températures strictes.
- ▶ Ne conservez jamais des liquides dans des bouteilles ou des canettes (en dehors des spiritueux avec un degré d'alcool très élevé), en particulier les boissons gazeuses, dans le congélateur car ceux-ci pourraient exploser durant la congélation.
- ▶ Vérifiez l'état des aliments si l'intérieur du congélateur s'est réchauffé.
- ▶ Ne réglez pas une température inutilement basse dans le compartiment du réfrigérateur. Des températures inférieures peuvent se produire à des réglages élevés. Attention : les bouteilles peuvent éclater
- ▶ Ne touchez pas les produits surgelés avec les mains mouillées (portez des gants). Ne mangez surtout pas les glaces à l'eau juste après les avoir sorties du compartiment congélateur. Vous risquez de vous blesser ou de vous brûler à cause du froid. Premiers secours : mettez immédiatement sous l'eau froide. Ne retirez pas !
- ▶ Ne touchez pas la surface intérieure du compartiment congélateur lorsqu'il est en fonctionnement, en particulier avec les mains mouillées, car vos mains peuvent geler sur la surface.
- ▶ Débranchez l'appareil en cas de coupure de courant ou avant de le nettoyer. Attendez au moins 7 minutes avant de redémarrer l'appareil, car le démarrage fréquent risque d'endommager le compresseur.
- ▶ N'utilisez pas des appareils électriques à l'intérieur des compartiments de conservation des aliments de l'appareil, sauf s'ils correspondent aux modèles recommandés par le fabricant. Entretien/nettoyage
- ▶ Veillez à superviser les enfants s'ils effectuent le nettoyage et l'entretien.
- ▶ Débranchez l'appareil du secteur avant d'effectuer tout entretien courant. Attendez au moins 5 minutes avant de redémarrer l'appareil, car des démarrages trop fréquents risqueraient d'endommager le compresseur.



## AVERTISSEMENT !

- ▶ Tenez la fiche, pas le câble, lorsque vous débranchez l'appareil.
- ▶ Ne nettoyez pas l'appareil à l'aide de brosses dures, de brosses métalliques, de détergents en poudre, d'essence, d'acétate d'amyle, d'acétone et de solutions organiques similaires, d'acides ou de solutions alcalines. Nettoyez-le avec un détergent spécial pour réfrigérateur afin d'éviter de l'endommager.
- ▶ Ne raclez pas le givre et la glace avec des objets tranchants. N'utilisez pas de pulvérisateurs ni de réchauffeurs électriques comme des nettoyeurs à vapeur, des sèche-cheveux ou d'autres sources de chaleur pour éviter d'endommager les pièces en plastique.
- ▶ N'utilisez pas de dispositifs mécaniques ou d'autres moyens pour accélérer le processus de dégivrage, hormis ceux recommandés par le fabricant.
- ▶ Si le cordon d'alimentation est endommagé, faites-le remplacer par le fabricant, le service clientèle ou un électricien qualifié pour éviter tout risque d'accident.
- ▶ N'essayez pas de réparer, démonter ou modifier l'appareil vous-même. En cas de réparation, veuillez contacter notre service clientèle.
- ▶ Éliminez la poussière à l'arrière de l'appareil au moins une fois par an pour éviter tout risque d'incendie, ainsi que l'augmentation de la consommation d'énergie.
- ▶ Ne pulvérisez pas et ne rincez pas l'appareil pendant le nettoyage.
- ▶ N'utilisez pas de jet d'eau ou de vapeur pour nettoyer l'appareil.
- ▶ Ne nettoyez pas les clayettes froides en verre à l'eau chaude. Un changement soudain de température peut casser le verre.

## Informations sur les gaz réfrigérants



### AVERTISSEMENT !

L'appareil contient de l'ISOBUTANE, un réfrigérant inflammable (R600a). Assurez-vous que le circuit du réfrigérant n'est pas endommagé pendant le transport ou l'installation. Les fuites de frigorigène peuvent provoquer des blessures oculaires ou s'enflammer. Si un dommage s'est produit, gardez les sources de feu ouvert à l'écart, aérez complètement la pièce, ne branchez pas ou ne débranchez pas les cordons d'alimentation de l'appareil ou de tout autre appareil. Informez le service clientèle.

En cas de contact du réfrigérant avec les yeux, rincez-les immédiatement à l'eau courante et appelez immédiatement un oculiste.



## Utilisation prévue

Cet appareil est destiné à réfrigérer et à congeler les aliments. Il a été conçu exclusivement pour une utilisation dans les habitations et des applications similaires telles que les espaces de cuisine dans les magasins, bureaux et autres environnements de travail ; les habitations rurales et par les clients dans les hôtels/motels et autres environnements de type résidentiel, ainsi que dans les chambres d'hôtes ou B&B et activités de restauration. Il n'est pas destiné à un usage commercial ou industriel.

Les changements ou modifications apportés à l'appareil ne sont pas autorisés. Une utilisation non prévue peut entraîner des risques et la perte de garantie.

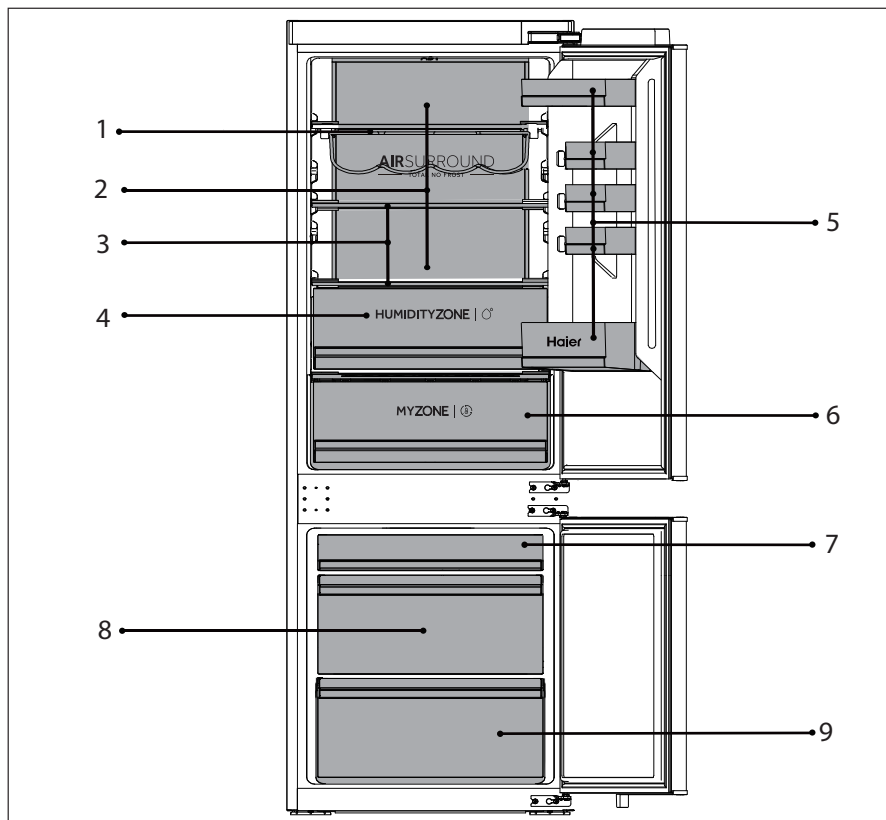
## Normes et directives



Ce produit satisfait aux exigences de toutes les directives CE applicables avec les normes harmonisées correspondantes, qui prévoient le marquage CE.

## **i** REMARQUE

En raison des changements techniques et de différents modèles, certaines des illustrations de ce manuel peuvent différer de votre modèle.



### **HBW7518C/HBW7518DT**

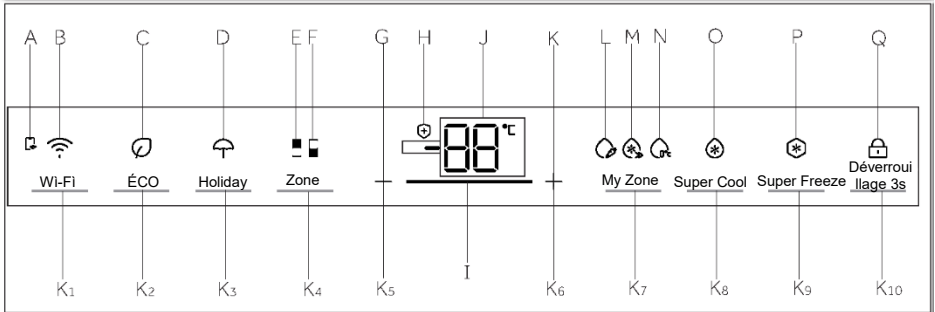
**A:** Chambre de réfrigération

- 1 Porte-bouteilles
- 2 Conduit d'air réfrigéré
- 3 Clayettes ordinaires
- 4 Tiroir Humidity Zone
- 5 Porte-bouteilles
- 6 Tiroir MyZone

**B:** Chambre de congélation

- 7 Tiroir supérieur du congélateur
- 8 Tiroir central du congélateur
- 9 Tiroir inférieur du congélateur

## Panneau de commande



### Voyants :

- A Connexion à l'application mobile
- B Fonction Wi-Fi
- C Fonction ÉCO
- D Fonction Holiday
- E Voyant du réfrigérateur
- F Voyant du congélateur
- G Réglage de la température « - »
- H Fonction bactéricide
- I Affichage de la puissance
- J Affichage de la température
- K Réglage de la température « + »
- L Fonction Fruit&Veg
- M Fonction QuickCool
- N Fonction 0°C Fresh
- O Fonction Super Cool
- P Fonction Super Freeze
- Q Verrouillage et déverrouillage

### Touches :

- K<sub>1</sub> Touche de réglage du Wi-Fi
- K<sub>2</sub> Touche de la fonction ÉCO
- K<sub>3</sub> Touche de la fonction Holiday
- K<sub>4</sub> Touche de sélection de la zone
- K<sub>5</sub> Touche de réglage de la température « - »
- K<sub>6</sub> Touche de réglage de la température « + »
- K<sub>7</sub> Touche de sélection de la fonction My Zone
- K<sub>8</sub> Touche de sélection Super Cool
- K<sub>9</sub> Touche de sélection Super Freeze
- K<sub>10</sub> Touche de verrouillage et de déverrouillage

## Touches tactiles

Les touches du panneau de commande sont des touches tactiles qui réagissent dès que le doigt les touche légèrement.

## Allumer/éteindre l'appareil

L'appareil fonctionne dès qu'il est branché sur l'alimentation électrique.

Lors de la première mise sous tension du réfrigérateur, le voyant « J » (affichage de la température) s'allume. La température du réfrigérateur et celle du congélateur sont réglées automatiquement sur 5 °C et -18 °C respectivement. Le voyant « M » (affichage QuickCool) s'allume.

Les zones My Zone sont automatiquement réglées sur la fonction QuickCool.

Le verrouillage du panneau est peut-être actif.



## REMARQUE

Lorsque l'appareil est allumé après avoir été débranché de l'alimentation secteur, il peut falloir jusqu'à 12 heures pour que les températures correctes soient atteintes.

Videz l'appareil avant de l'éteindre. Pour éteindre l'appareil, tirez le cordon d'alimentation pour le sortir de la prise d'alimentation.

### Verrouillage/Déverrouillage du panneau

Verrouillage automatique : lorsque la porte du réfrigérateur et la porte du congélateur sont fermées et qu'aucune touche n'est actionnée dans les 30 secondes, l'écran s'éteint et se verrouille automatiquement.

Verrouillage manuel : lorsque l'écran d'affichage est déverrouillé, appuyez sur la touche « K<sub>10</sub> » (déverrouillage 3S) et maintenez-la enfoncée pendant 3 secondes, le signal sonore retentit une fois, le voyant « Q » (verrouillage du panneau) s'allume et l'affichage est verrouillé.

Déverrouillage : lorsque l'écran d'affichage est verrouillé, appuyez sur la touche « K<sub>10</sub> » (déverrouillage 3S) et maintenez-la enfoncée pendant 3 secondes, le signal sonore retentit une fois, le voyant « Q » (verrouillage du panneau) s'éteint et l'écran est déverrouillé.

### Réglage de la température

Les températures intérieures sont influencées par les facteurs suivants :

Température ambiante, fréquence d'ouverture de la porte, quantité d'aliments conservés, installation de l'appareil.

### Régler la température du réfrigérateur

Lorsque l'écran d'affichage est déverrouillé, appuyez sur la touche « K<sub>4</sub> » (sélecteur de zone). Le signal sonore retentit une fois, le voyant « E » (voyant du réfrigérateur) s'allume, puis vient le mode de réglage de la température du réfrigérateur.

Appuyez sur la touche « K<sub>5</sub> » (touche de réglage de la température « - ») à chaque fois, le signal sonore retentit une fois, la température définie du réfrigérateur sera réduite de 1. La température du réfrigérateur s'affiche selon la séquence « 9 °C -> 8 °C -> 7 °C -> 6 °C -> 5 °C -> 4 °C -> 3 °C -> 2 °C -> 1 °C ».

Appuyez sur la touche « K<sub>6</sub> » (touche de réglage de la température « + ») à chaque fois, le signal sonore retentit une fois, la température définie du réfrigérateur sera augmentée de 1. La température du réfrigérateur s'affiche selon la séquence « 1 °C -> 2 °C -> 3 °C -> 4 °C -> 5 °C -> 6 °C -> 7 °C -> 8 °C -> 9 °C ».



## REMARQUE

Après avoir réglé la température, s'il n'y a pas d'opération dans les 5 secondes, le système enregistrera automatiquement la température définie.

## Régler la température du congélateur

Lorsque l'écran d'affichage est déverrouillé, appuyez sur la touche « K<sub>4</sub> » (sélecteur de zone). Le signal sonore retentit une fois, le voyant « F » (voyant du congélateur) s'allume, puis vient le mode de réglage de la température du congélateur.

Appuyez sur la touche « K<sub>5</sub> » (touche de réglage de la température « - ») à chaque fois, le signal sonore retentit une fois, la température définie du congélateur sera réduite de 1. La température du congélateur s'affiche selon la séquence « -14 °C -> -15 °C -> -16 °C -> -17 °C -> -18 °C -> -19 °C -> -20 °C -> -21 °C -> -22 °C -> -23 °C -> -24 °C ».

Appuyez sur la touche « K<sub>6</sub> » (touche de réglage de la température « + ») à chaque fois, le signal sonore retentit une fois, la température définie du congélateur sera augmentée de 1. La température du congélateur s'affiche selon la séquence « -24 °C -> -23 °C -> -22 °C -> -21 °C -> -20 °C -> -19 °C -> -18 °C -> -17 °C -> -16 °C -> -15 °C -> -14 °C ».



### REMARQUE

Après avoir réglé la température, s'il n'y a pas d'opération dans les 5 secondes, le système enregistrera automatiquement la température définie.

## Fonction Wi-Fi

1. Lorsque l'écran d'affichage est déverrouillé, appuyez sur la touche « K<sub>1</sub> » (touche de la fonction Wi-Fi), le signal sonore retentit une fois, le voyant « B » (fonction Wi-Fi) reste allumé jusqu'à ce que la connexion soit établie. Une fois la connexion établie, maintenez la touche enfoncée pendant un certain temps, puis la fonction Wi-Fi sera activée.
2. Lorsque l'écran d'affichage est déverrouillé, appuyez sur la touche « K<sub>1</sub> » (touche de la fonction Wi-Fi), le signal sonore retentit une fois, le voyant « B » (fonction d'interconnexion) s'éteint, puis la fonction Wi-Fi est désactivée.

## PROCÉDURE D'APPAIRAGE DANS L'APPLICATION

<p>Étape 1</p> <ul style="list-style-type: none"> <li>• Téléchargez l'application hOn dans les stores</li> </ul>    	<p>Étape 3 Suivez les instructions d'appairage dans l'application hOn</p> 
<p>Étape 2 Créez votre compte sur l'application hOn ou connectez-vous si vous possédez déjà un compte</p> 	

## Fonction ÉCO

1. Lorsque l'écran d'affichage est déverrouillé, appuyez sur la touche « K<sub>2</sub> » (touche de la fonction ÉCO), le signal sonore retentit une fois, le voyant « C » (fonction ÉCO) s'allume, puis la fonction ÉCO est activée.
2. Lorsque l'écran d'affichage est déverrouillé, appuyez sur la touche « K<sub>2</sub> » (touche de la fonction ÉCO), le signal sonore retentit une fois, le voyant « C » (fonction ÉCO) s'éteint, puis la fonction ÉCO est désactivée.

## Fonction Holiday

1. Lorsque l'écran d'affichage est déverrouillé, appuyez sur la touche « K<sub>3</sub> » (touche de la fonction Holiday), le signal sonore retentit une fois, le voyant « D » (fonction Holiday) s'allume, puis la fonction Holiday est activée.
2. Lorsque l'écran d'affichage est déverrouillé, appuyez sur la touche « K<sub>3</sub> » (touche de la fonction Holiday), le signal sonore retentit une fois, le voyant « D » (fonction Holiday) s'éteint, puis la fonction Holiday est désactivée.

## REMARQUE

1. La fonction Holiday est principalement utilisée pour les voyages de courte durée et d'autres moments de la vie, et il faut vider le réfrigérateur lors de l'utilisation de la fonction Holiday.
2. En fonction Holiday, la température de la chambre du réfrigérateur sera plus élevée (environ 17 °C). Veillez à vider le réfrigérateur afin d'éviter que les aliments qui s'y trouvent s'abîment.
3. Dans la fonction Holiday, les icônes « Fruit&Veg », « QuickCool », « 0°C Fresh » dans My Zone s'éteignent et la température de My Zone ne peut pas être réglée. Le compartiment réfrigérateur et la zone My Zone s'affichent dans le réglage précédent une fois la fonction Holiday désactivée.

## Fonction Super Cool

1. Lorsque l'écran d'affichage est déverrouillé, appuyez sur la touche « K<sub>8</sub> » (sélecteur Super Cool), le signal sonore retentit une fois, le voyant « O » (fonction Super Cool) s'allume, puis la fonction Super Cool est activée.
2. Lorsque le voyant « O » (fonction Super Cool) s'allume, appuyez sur la touche « K<sub>8</sub> » (sélecteur Super Cool), le signal sonore retentit une fois, le voyant « O » (fonction Super Cool) s'éteint, puis la fonction Super Cool est désactivée.
3. Une fois la fonction Super Cool activée, le réfrigérateur la désactive automatiquement lorsqu'il atteint la température réglée. Si vous souhaitez la quitter manuellement, vous pouvez appuyer sur la touche « K<sub>8</sub> » (sélecteur Super Cool) pour la désactiver.



## REMARQUE

1. En mode Super Cool, la température du réfrigérateur ne peut pas être réglée. Si vous appuyez sur la touche « K<sub>5</sub> » (touche de réglage de la température « - ») ou sur la touche « K<sub>6</sub> » (touche de réglage de la température « + ») pour régler la température du réfrigérateur, le voyant « O » (voyant Super Cool) clignote avec un son rapide pour indiquer que cette opération ne peut pas être effectuée.
2. En mode Super Cool, la fonction Auto-Set ne peut pas être activée en même temps en raison des différents modes de contrôle. Lorsque vous choisissez une fonction qui entre en conflit avec une autre, la fonction d'origine est automatiquement désactivée.
3. Cette fonction est automatiquement désactivée au bout de 4 heures.

## Fonction Super Freeze

1. Lorsque l'écran d'affichage est déverrouillé, appuyez sur la touche « K<sub>9</sub> » (sélecteur Super Freeze), le signal sonore retentit une fois, le voyant « P » (fonction Super Freeze) s'allume, puis la fonction Super Freeze est activée.
2. Lorsque le voyant « P » (fonction Super Freeze) s'allume, appuyez sur la touche « K<sub>9</sub> » (sélecteur Super Freeze), le signal sonore retentit une fois, le voyant « P » (fonction Super Freeze) s'éteint, puis la fonction Super Freeze est désactivée.

- Une fois la fonction Super Freeze activée, le réfrigérateur la désactive automatiquement lorsqu'il atteint la température réglée. Si vous souhaitez la quitter manuellement, vous pouvez appuyer sur la touche « K<sub>9</sub> » (sélecteur Super Freeze) pour la désactiver.



## **i** REMARQUE

- En mode Super Freeze, la température du congélateur ne peut pas être réglée. Si vous appuyez sur la touche « K<sub>5</sub> » (touche de réglage de la température « - ») ou sur la touche « K<sub>6</sub> » (touche de réglage de la température « + ») pour régler la température du congélateur, le voyant « P » (voyant Super Freeze) clignote avec un son rapide pour indiquer que cette opération ne peut pas être effectuée.
- La fonction Super Freeze est conçue pour conserver la valeur nutritive des aliments congelés, elle congèlera les aliments dans les plus brefs délais. Si de grandes quantités d'aliments surgelés doivent être congelées en même temps, la fonction Super Freeze doit être réglée 24 h à l'avance pour que la température du congélateur soit relativement basse avant de mettre les aliments à l'intérieur. À ce moment-là, la vitesse de congélation du congélateur est améliorée, les aliments peuvent être congelés rapidement, la valeur nutritive des aliments est efficacement conservée et les conserver devient plus pratique.
- La fonction Super Freeze s'arrête automatiquement au bout de 50 heures. L'appareil fonctionne alors à la température précédemment réglée.

## Sélection de la fonction My Zone

Lorsque l'écran d'affichage est déverrouillé, appuyez sur la touche « K<sub>7</sub> » (touche de sélection de la fonction My Zone), le signal sonore retentit une fois, le voyant « L » (fonction Fruit&Veg) s'allume, puis la fonction Fruit&Veg est activée. Si l'une des touches « K<sub>7</sub> » est actionnée pour sélectionner la fonction My Zone, le signal sonore retentit à nouveau et le voyant « M » (fonction Quick Cool) s'allume, puis la fonction QuickCool est activée. Les options de la fonction My Zone sont tour à tour « Fruit&Veg, QuickCool et 0°C Fresh ».

## **i** REMARQUE

- Lorsque le réfrigérateur est mis sous tension pour la première fois, le voyant « L » s'allume, les zones My Zone sont automatiquement réglées sur la fonction QuickCool. L'un des trois voyants My Zone doit être allumé. Lorsque vous sélectionnez à nouveau la fonction My Zone, le voyant My Zone précédemment allumé ne peut pas être sélectionné. Une seule des trois fonctions peut être configurée. Les trois fonctions s'excluent mutuellement.
- Le numéro de réglage de la température de conservation de My Zone ne peut pas être supérieur au numéro de réglage de la température du réfrigérateur.
- Pour réduire la température du compartiment réfrigérateur, utilisez la fonction 0°C Fresh. Pour l'augmenter, utilisez la fonction Fruit&Veg.



## Tiroir My Zone

Le compartiment réfrigérateur est équipé d'un tiroir My Zone. En fonction des exigences de conservation des aliments, la température la plus adaptée peut être sélectionnée pour obtenir la valeur nutritive optimale des aliments. Les modes suivants sont disponibles.

### Fonction Fruit&Veg

Cette fonction convient à la conservation des fruits et légumes comme les pommes, les carottes, etc.

### Fonction QuickCool

Cette fonction permet de conserver des boissons comme le coca, la bière, etc.



### REMARQUE : Fruit&Veg

Les fruits sensibles au froid comme l'ananas, l'avocat, la banane, le pamplemousse et les légumes tels que les pommes de terre, les aubergines, les haricots, les concombres, les courgettes et les tomates ainsi que le fromage ne doivent pas être conservés dans le tiroir My Zone.

### Fonction 0°C Fresh

Cette fonction permet de régler la température du tiroir My Zone sur 0 °C. Convient à la conservation d'aliments frais tels que la viande ou les produits instantanés. La plupart des aliments restent frais à 0 °C, mais non congelés.



### REMARQUE : 0°C Fresh

1. En raison des différents teneurs en eau de la viande, certaines viandes plus humides seront congelées à des températures inférieures à 0 °C. La viande « coupée immédiatement » doit donc être conservée dans le tiroir My Zone, à une température minimale de 0 °C.
2. Lorsque vous choisissez 0°C Fresh, réglez la température du compartiment de réfrigération au niveau bas (moins de 5 °C), afin de préserver vos aliments dans un environnement de conservation optimal.

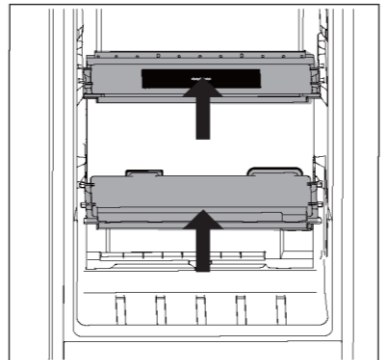
## Tiroir Humidity Zone

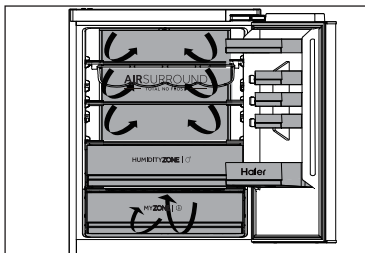
Dans ce compartiment, le niveau d'humidité est supérieur à celui du compartiment du réfrigérateur. Il est contrôlé automatiquement par le système et convient au stockage des fruits, des légumes, des salades, etc.



### REMARQUE

1. Ne retirez pas les couvercles en plastique à l'intérieur des deux zones.
2. Ils maintiennent l'humidité.
3. Il n'est pas recommandé de ranger les fruits sensibles au froid comme l'ananas, l'avocat, les bananes et les pamplemousses dans ces deux tiroirs.



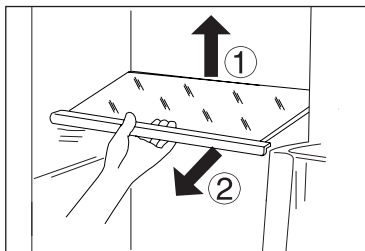


### Flux multi-air

1. Le réfrigérateur est équipé d'un système à flux multi-air, avec lequel des flux d'air froids se trouvent au niveau de chaque clayette. Cela permet de maintenir une température uniforme afin de garantir que vos aliments conservent leur fraîcheur pendant plus longtemps.

### Clayettes réglables

1. La hauteur des clayettes peut être réglée en fonction de vos besoins de rangement.
2. Pour déplacer une clayette, retirez-la d'abord en levant son bord arrière ① et en la tirant ②.
3. Pour la remettre en place, placez-la sur les ergots des deux côtés et poussez-la dans la position la plus reculée jusqu'à ce que l'arrière de la clayette soit fixé à l'intérieur des fentes sur les côtés.

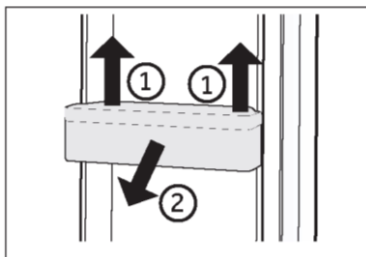


## **i** REMARQUE

Assurez-vous que toutes les extrémités d'une clayette sont au même niveau.

### Balconnets de porte amovibles/Porte-bouteilles

1. Les balconnets de porte peuvent être retirés pour le nettoyage :
2. Placez les mains de chaque côté du balconnet, soulevez-le ① et tirez-le ②.
3. Pour insérer le balconnet de porte, vous devez suivre les étapes ci-dessus dans l'ordre inverse.



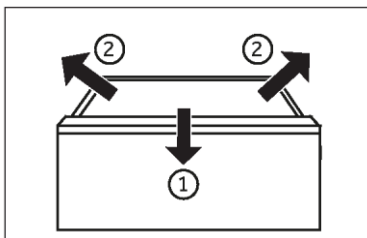
## **i** REMARQUE

Lorsque vous allumez l'appareil, il peut falloir jusqu'à 12 heures pour que les températures appropriées soient atteintes.

### Tiroir amovible

Pour retirer le tiroir, sortez-le au maximum ①, soulevez-le et retirez-le ②

Pour introduire le tiroir, vous devez effectuer les étapes ci-dessus dans l'ordre inverse.



### La lumière

La lumière LED à l'intérieur s'allume lorsque la porte est ouverte. Le fonctionnement des lampes n'est affecté par aucun des autres réglages de l'appareil.



## Conseils d'économie d'énergie

- ▶ Assurez-vous que l'appareil est bien ventilé (voir INSTALLATION).
- ▶ N'installez pas l'appareil en plein soleil ou à proximité de sources de chaleur (par ex. cuisinières, chauffages).
- ▶ Évitez une température inutilement basse dans l'appareil. Plus vous réglez une température basse dans l'appareil, plus la consommation d'énergie augmente.
- ▶ Des fonctions comme Super Freeze consomment plus d'énergie.
- ▶ Laissez les aliments chauds refroidir avant de les mettre dans l'appareil.
- ▶ Ouvrez la porte de l'appareil le moins souvent et le plus rapidement possible.
- ▶ Ne remplissez pas trop l'appareil pour éviter de bloquer la circulation de l'air.
- ▶ Évitez l'air dans l'emballage des aliments.
- ▶ Gardez les joints de la porte propres afin que la porte se ferme toujours correctement.
- ▶ Décongelez les aliments surgelés dans le compartiment de rangement du réfrigérateur.
- ▶ La configuration la plus économe en énergie exige que l'appareil conserve les tiroirs, la boîte de rangement et les clayettes en parfait état, et les aliments doivent être placés le plus loin possible des orifices de sortie de la conduite d'air.



## AVERTISSEMENT !

Débranchez l'appareil de l'alimentation électrique avant de le nettoyer.

### Nettoyage

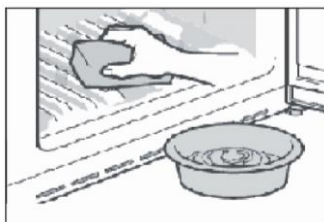
Nettoyez l'appareil lorsqu'il n'y a qu'un peu de nourriture ou qu'il n'y a pas de nourriture à l'intérieur.

L'appareil doit être nettoyé toutes les quatre semaines pour un bon entretien et pour éviter les mauvaises odeurs des aliments conservés à l'intérieur.



## AVERTISSEMENT !

- ▶ Ne nettoyez pas l'appareil à l'aide de brosses dures, de brosses métalliques, de détergents en poudre, d'essence, d'acétate d'amyle, d'acétone et de solutions organiques similaires, d'acides ou de solutions alcalines. Nettoyez-le avec un détergent spécial pour réfrigérateur afin d'éviter de l'endommager.
- ▶ Ne pulvérisez pas et ne rincez pas l'appareil pendant le nettoyage.
- ▶ N'utilisez pas de jet d'eau ou de vapeur pour nettoyer l'appareil.
- ▶ Ne nettoyez pas les clayettes froides en verre à l'eau chaude. Un changement soudain de température peut casser le verre.
- ▶ Ne touchez pas la surface intérieure du compartiment de l'appareil, en particulier avec les mains mouillées, car vos mains peuvent geler sur la surface.
- ▶ En cas de réchauffement, vérifiez l'état des produits surgelés.



- ▶ Gardez toujours le joint de la porte propre.
- ▶ Nettoyez l'intérieur et le bâti de l'appareil à l'aide d'une éponge imbibée d'eau tiède et de détergent neutre.
- ▶ 1. Veuillez frotter l'intérieur et l'extérieur du réfrigérateur, y compris le joint de porte, le porte-bouteille, les clayettes en verre, les boîtes, etc., avec un torchon doux ou une éponge imbibée d'eau chaude (vous pouvez ajouter un détergent neutre dans l'eau chaude).
- ▶ 2. S'il y a du liquide renversé, retirez toutes les parties contaminées, rincez-les directement sous l'eau du robinet, séchez-les et remettez-les dans le réfrigérateur.
- ▶ 3. S'il y a de la crème (par exemple de la crème, de la crème glacée qui fond), retirez toutes les parties contaminées, placez-les dans de l'eau chaude à 40 °C pendant un certain temps, puis rincez-les à l'eau courante, séchez-les et remettez-les dans le réfrigérateur.
- ▶ 4. Si une petite pièce ou un élément reste coincé à l'intérieur du réfrigérateur (entre les clayettes ou les tiroirs), utilisez une petite brosse souple pour l'éliminer. Si vous ne parvenez pas à atteindre la pièce, veuillez contacter le service clientèle Haier.
- ▶ Rincez et séchez avec un chiffon doux.
- ▶ Ne nettoyez aucune des parties de l'appareil au lave-vaisselle.
- ▶ Attendez au moins 5 minutes avant de redémarrer l'appareil, car le démarrage fréquent risque d'endommager le compresseur.

### Dégivrage

Le dégivrage des compartiments réfrigérateur<sup>21</sup> et congélateur se fait automatiquement ; aucune opération manuelle n'est nécessaire.

## Remplacement des lampes LED



### AVERTISSEMENT !

Ne remplacez pas la lampe LED vous-même, elle ne doit être remplacée que par le fabricant ou l'agent de maintenance agréé.

Les lampes utilisent des LED comme source lumineuse, avec une faible consommation d'énergie et une longue durée de vie. En cas d'anomalie, veuillez contacter le service clientèle. Reportez-vous au paragraphe SERVICE CLIENTÈLE.

Paramètres des lampes :

Compartiment réfrigérateur : 12 V max 2 W

Compartiment congélateur : 12 V max 2 W

### Non-utilisation pendant une période prolongée

Si l'appareil n'est pas utilisé pendant une période prolongée et que vous n'utiliserez pas la fonction Holiday pour le réfrigérateur :

Sortez les aliments.

Débranchez le cordon d'alimentation.

Nettoyez l'appareil selon les instructions ci-dessus.

Gardez les portes ouvertes pour éviter la formation de mauvaises odeurs à l'intérieur.



### REMARQUE

N'éteignez l'appareil que si cela est strictement nécessaire.

### Déplacement de l'appareil

1. Retirez tous les aliments et débranchez l'appareil.
2. Fixez les clayettes et les autres parties mobiles dans le réfrigérateur et dans le congélateur avec du ruban adhésif.
3. N'inclinez pas le réfrigérateur à plus de 45° pour éviter d'endommager le système de réfrigération.



### AVERTISSEMENT !

- ▶ Ne soulevez pas l'appareil par ses poignées.
- ▶ Ne placez jamais l'appareil à l'horizontale sur le sol.

Vous pouvez résoudre de nombreux problèmes vous-même sans expertise spécifique. En cas de problème, veuillez vérifier toutes les possibilités indiquées et suivre les instructions ci-dessous avant de contacter un service clientèle. Reportez-vous au paragraphe SERVICE CLIENTÈLE.



## AVERTISSEMENT !

- ▶ Avant l'entretien, désactivez l'appareil et débranchez la fiche secteur de la prise secteur.
- ▶ L'équipement électrique ne doit être entretenu que par des experts en électricité qualifiés, car des réparations inappropriées peuvent causer des dommages consécutifs considérables.
- ▶ Une alimentation endommagée ne devrait être remplacée que par le fabricant, son agent de maintenance ou des personnes avec une qualification similaire de manière à éviter tout danger.

Problème	Cause possible	Solution possible
Le compresseur ne fonctionne pas.	<ul style="list-style-type: none"> <li>• La fiche secteur n'est pas branchée dans la prise secteur.</li> <li>• L'appareil est en cours de dégivrage</li> </ul>	<ul style="list-style-type: none"> <li>• Branchez la fiche secteur.</li> <li>• C'est normal pour un dégivrage automatique</li> </ul>
L'appareil fonctionne fréquemment ou fonctionne trop longtemps.	<ul style="list-style-type: none"> <li>• La température intérieure ou extérieure est trop élevée.</li> <li>• L'appareil a été hors tension pendant un certain temps.</li> <li>• Une porte de l'appareil n'est pas bien fermée.</li> <li>• La porte a été ouverte trop fréquemment ou trop longtemps.</li> <li>• Le réglage de la température du compartiment congélateur est trop bas.</li> <li>• Le joint de la porte est sale, usé, fissuré ou ne correspond pas.</li> <li>• La circulation de l'air requise n'est pas garantie.</li> </ul>	<ul style="list-style-type: none"> <li>• Dans ce cas, il est normal que l'appareil fonctionne plus longtemps.</li> <li>• Normalement, il faut 8 à 12 heures pour que l'appareil refroidisse complètement.</li> <li>• Fermez la porte / le tiroir et assurez-vous que l'appareil est situé sur un sol à niveau et qu'il n'y a pas d'aliment ou de récipient bloquant la porte.</li> <li>• N'ouvrez pas trop souvent la porte/le tiroir.</li> <li>• Réglez une température plus élevée jusqu'à l'obtention d'une température satisfaisante dans le réfrigérateur. Il faut 24 heures pour que la température du réfrigérateur devienne stable.</li> <li>• Nettoyez le joint de la porte/du tiroir ou faites-le remplacer par le service clientèle.</li> <li>• Assurez une ventilation adéquate.</li> </ul>
L'intérieur du réfrigérateur est sale et/ou sent.	<ul style="list-style-type: none"> <li>• L'intérieur du réfrigérateur a besoin d'être nettoyé.</li> <li>• Des aliments à forte odeur sont conservés au réfrigérateur.</li> </ul>	<ul style="list-style-type: none"> <li>• Nettoyez l'intérieur du réfrigérateur.</li> <li>• Enveloppez soigneusement les aliments.</li> </ul>

Problème	Cause possible	Solution possible
Il ne fait pas suffisamment froid à l'intérieur de l'appareil.	<ul style="list-style-type: none"> <li>La température réglée est trop élevée.</li> <li>Des produits trop chauds ont été stockés.</li> <li>Trop d'aliments ont été mis à l'intérieur en même temps.</li> <li>Les aliments sont trop proches les uns des autres.</li> <li>Une porte / un tiroir de l'appareil n'est pas bien fermé(e).</li> <li>La porte / le tiroir a été ouvert(e) trop fréquemment ou trop longtemps.</li> </ul>	<ul style="list-style-type: none"> <li>Réinitialisez la température.</li> <li>Laissez toujours refroidir les aliments avant de les mettre à l'intérieur.</li> <li>Conservez toujours de petites quantités d'aliments.</li> <li>Laissez de la place entre plusieurs aliments pour permettre la circulation de l'air.</li> <li>Fermez la porte / le tiroir.</li> <li>N'ouvrez pas trop souvent la porte/le tiroir.</li> </ul>
Il fait trop froid à l'intérieur de l'appareil.	<ul style="list-style-type: none"> <li>La température réglée est trop basse.</li> <li>La fonction Super Freeze/Super Cool est activée ou fonctionne depuis trop longtemps.</li> </ul>	<ul style="list-style-type: none"> <li>Réinitialisez la température.</li> <li>Éteignez la fonction Super Freeze/Super Cool.</li> </ul>
Formation d'humidité à l'intérieur du compartiment réfrigérateur.	<ul style="list-style-type: none"> <li>Le climat est trop chaud et trop humide.</li> <li>Une porte / un tiroir de l'appareil n'est pas bien fermé(e).</li> <li>La porte / le tiroir a été ouvert(e) trop fréquemment ou trop longtemps.</li> <li>Les récipients contenant des aliments ou des liquides sont laissés ouverts.</li> </ul>	<ul style="list-style-type: none"> <li>Augmentez la température.</li> <li>Fermez la porte / le tiroir.</li> <li>N'ouvrez pas trop souvent la porte/le tiroir.</li> <li>Laissez refroidir les aliments chauds à température ambiante et couvrez les aliments et les liquides.</li> </ul>
L'humidité s'accumule sur le réfrigérateur à l'extérieur de la surface ou entre les portes / la porte et le tiroir.	<ul style="list-style-type: none"> <li>Le climat est trop chaud et trop humide.</li> <li>La porte n'est pas fermée hermétiquement. L'air froid de l'appareil et l'air chaud à l'extérieur de celui-ci se condense.</li> </ul>	<ul style="list-style-type: none"> <li>C'est normal dans un climat humide et cela va changer lorsque l'humidité diminuera.</li> <li>Assurez-vous que la porte/ le tiroir est bien fermé(e).</li> </ul>
La lumière de l'écran fonctionne mais ne semble pas froide.	Il est en mode démo.	<p>Veillez noter dans quel état il se trouve, s'il est en mode Démo, quittez-le.</p> <p>Quitter : maintenez le bouton "ECO" enfoncé et cliquez sur la touche "Super Freeze" 5 fois en 5 s.</p>

Problème	Cause possible	Solution possible
Glace dure et givre dans le compartiment congélateur.	<ul style="list-style-type: none"> <li>• Les produits n'ont pas été correctement emballés.</li> <li>• Une porte / un tiroir de l'appareil n'est pas bien fermé(e).</li> <li>• La porte / le tiroir a été ouvert(e) trop fréquemment ou trop longtemps.</li> <li>• Le joint de la porte/du tiroir est sale, usé, fissuré ou ne correspond pas.</li> <li>• Quelque chose à l'intérieur empêche la porte / le tiroir de se fermer correctement.</li> </ul>	<ul style="list-style-type: none"> <li>• Emballez toujours bien les produits.</li> <li>• Fermez la porte / le tiroir.</li> <li>• N'ouvrez pas trop souvent la porte/le tiroir.</li> <li>• Nettoyez le joint de la porte / du tiroir ou remplacez-les par des joints neufs.</li> <li>• Repositionnez les clayettes, les balconnets de porte ou les récipients à l'intérieur pour permettre à la porte / au tiroir de se fermer.</li> </ul>
Les côtés de l'appareil et de la bande de la porte se réchauffent.	<ul style="list-style-type: none"> <li>• -</li> </ul>	<ul style="list-style-type: none"> <li>• Cela est normal.</li> </ul>
L'appareil émet des sons anormaux.	<ul style="list-style-type: none"> <li>• L'appareil n'est pas situé sur un sol plan.</li> <li>• L'appareil touche un objet situé à proximité.</li> </ul>	<ul style="list-style-type: none"> <li>• Réglez le pied pour mettre l'appareil à niveau.</li> <li>• Retirez les objets autour de l'appareil.</li> </ul>
Un léger son doit être entendu comme celui de l'eau courante.	<ul style="list-style-type: none"> <li>• -</li> </ul>	<ul style="list-style-type: none"> <li>• Cela est normal.</li> </ul>
Un bip d'alarme retentit.	<ul style="list-style-type: none"> <li>• La porte du compartiment de rangement du réfrigérateur est ouverte.</li> </ul>	<ul style="list-style-type: none"> <li>• Fermez la porte.</li> </ul>
Vous entendrez un petit hum.	<ul style="list-style-type: none"> <li>• Le système anti-condensation fonctionne.</li> </ul>	<ul style="list-style-type: none"> <li>• Cela empêche la condensation et est normal.</li> </ul>
Le système d'éclairage ou de refroidissement à l'intérieur ne fonctionne pas.	<ul style="list-style-type: none"> <li>• La fiche secteur n'est pas branchée dans la prise secteur.</li> <li>• L'alimentation n'est pas intacte.</li> <li>• La lampe LED est hors service.</li> </ul>	<ul style="list-style-type: none"> <li>• Branchez la fiche secteur.</li> <li>• Vérifiez l'alimentation électrique de la pièce. Appelez la société d'électricité locale !</li> <li>• Veuillez appeler le service technique pour faire changer la lampe.</li> </ul>



Pour contacter l'assistance technique, visitez notre site web : <https://corporate.haier-europe.com/en/>

Dans la rubrique « site web », choisissez la marque de votre produit et votre pays. Vous serez redirigé vers le site web spécifique où vous trouverez le numéro de téléphone et le formulaire pour contacter l'assistance technique.

### **Coupure de courant**

En cas de coupure de courant, les aliments devraient rester froids en toute sécurité pendant 5 heures environ. Suivez

ces conseils pendant une coupure de courant prolongée, en particulier en été :

- ▶ Ouvrez la porte / le tiroir le moins possible.
- ▶ Ne mettez pas d'aliments supplémentaires dans l'appareil pendant une coupure de courant.
- ▶ Si un préavis de coupure de courant est donné et que la durée de la coupure est supérieure à 5 heures, préparez des glaçons et placez-les dans un récipient en haut du compartiment réfrigérateur.
- ▶ Une inspection des produits est requise immédiatement après la coupure de courant.
- ▶ Étant donné que la température du réfrigérateur augmentera lors d'une coupure de courant ou d'une autre panne, la durée de conservation et la qualité alimentaire des aliments seront réduites. Tout aliment décongelé doit être consommé ou cuit et recongelé (le cas échéant) peu de temps après afin de prévenir les risques pour la santé.

### **Fonction mémoire pendant la coupure de courant**

Lorsque le courant revient, l'appareil continue à fonctionner avec les réglages réglés avant la panne de courant.

## Déballage

**AVERTISSEMENT !**

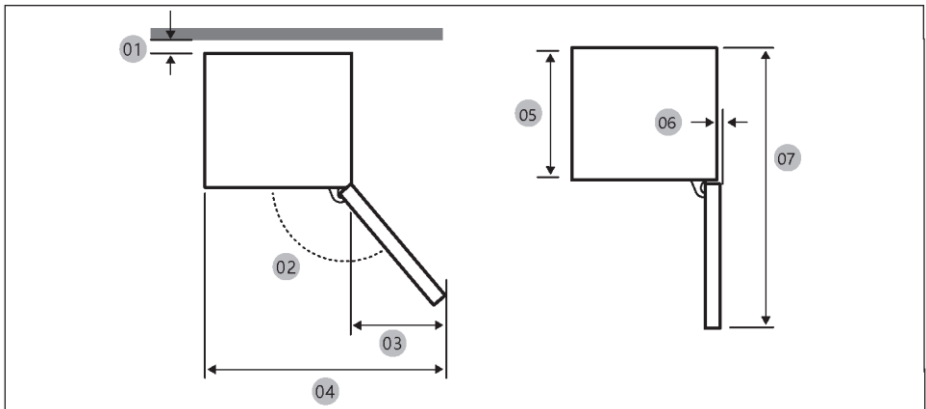
- ▶ L'appareil est lourd/ Manipulez-le toujours avec au moins deux personnes.
- ▶ Conservez tous les emballages hors de la portée des enfants, puis jetez-les d'une manière respectueuse de l'environnement.
- ▶ Sortez l'appareil de l'emballage.
- ▶ Retirez tous les matériaux d'emballage.

**Conditions environnementales**

La température ambiante doit toujours être comprise entre 10 °C et 43 °C, car elle peut influencer sur la température à l'intérieur de l'appareil et sa consommation d'énergie. N'installez pas l'appareil à proximité d'autres appareils générant de la chaleur (fours, réfrigérateurs) sans isolation.

**Espace requis**

Espace requis lorsque la porte est ouverte (sans panneau de porte)

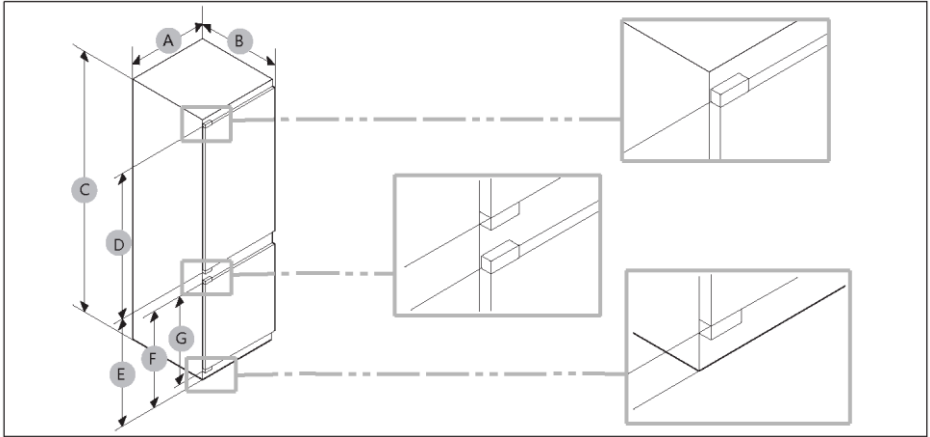


Modèle	HBW7518C HBW7518DT
01 *	10 (Min.) / 30 (Recommandé)
02	95° (Recommandé)
03	43
04	583
05	515
06	-3
07	1060

(unité : mm)

\* 01 : Du meuble à l'arrière du produit.

Dimensions du produit



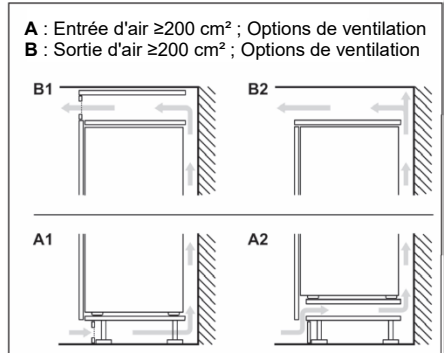
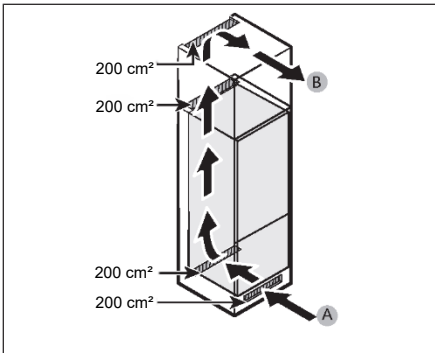
Modèle	A(mm)	B(mm)	C(mm)	D(mm)	E(mm)	F(mm)	G(mm)
HBW7518C HBW7518DT	540±2	550±2	1772±2	970	745	662	618

**i** REMARQUE

- La consommation d'énergie indiquée est basée sur l'existence d'un espace de 10 mm entre le meuble et l'arrière du produit. Le produit fonctionne correctement même si l'écart est inférieur à 10 mm, mais il consomme un peu plus d'énergie.
- Nous recommandons d'utiliser un meuble de 18 mm d'épaisseur avec des charnières de moins de 20 mm d'épaisseur.
- Les mesures figurant dans le tableau ci-dessus peuvent différer en fonction de la méthode de mesure utilisée.
- Pour l'installation encastrée, voir le Guide d'installation.

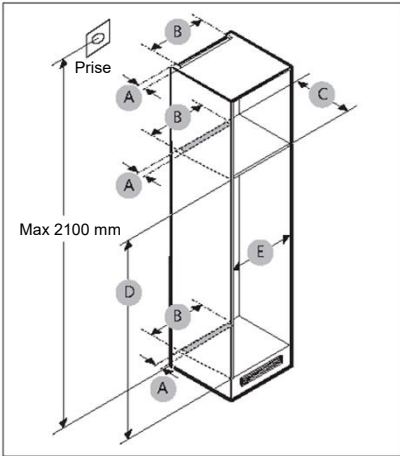
Coupe transversale de ventilation

Pour obtenir une ventilation suffisante de l'appareil pour des raisons de sécurité, il convient de respecter les informations relatives aux coupes transversales de ventilation requises.



**A** : Entrée d'air ≥200 cm<sup>2</sup> ; Options de ventilation  
**B** : Sortie d'air ≥200 cm<sup>2</sup> ; Options de ventilation

## Dimensions du meuble



## ATTENTION !

Toute panne du produit due aux éléments suivants n'est pas couverte par la garantie.

1. Conditions d'installation inadéquates ou dimensions incorrectes du meuble.
2. Meuble défectueux.
3. Erreurs de l'installateur ou de l'utilisateur.

## Dégagement

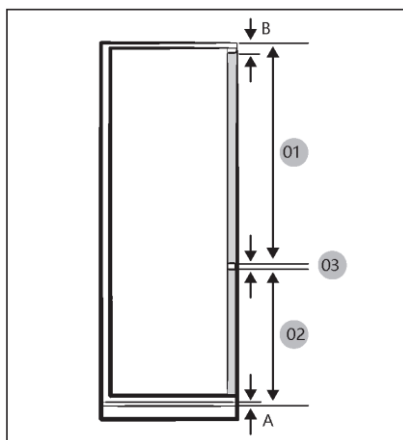
Reportez-vous aux images et tableaux ci-dessous pour connaître l'espace nécessaire à l'installation.

Modèle		A (mm)	B (mm)	C (mm)	D (mm)	E (mm)	Remarque
HBW7518C HBW7518DT	Min.	50	400	560	1778	560	Charnière : 17 mm
	Recommandé			580	1780	562	
	Max.			-	1782	568	



## REMARQUE

- Si la largeur d'un meuble est supérieure à 568 mm, le joint (entre le réfrigérateur et le meuble) peut se détacher.
- Si le meuble est plus haut que la dimension maximale (1782 mm), vous devez utiliser d'autres matériaux de finition pour combler l'écart.



(unité : mm)

Modèle	HBW7518C HBW7518DT
01	Min. 1028+B Max. 1106+B
02	Min. 662+A Max. 740+A
03	4 mm (espace entre le panneau de porte du réfrigérateur et du congélateur)

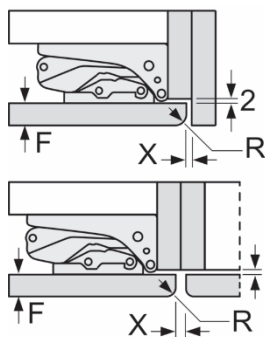


## REMARQUE

Pour installer un meuble nécessitant un espace de 4 mm (03), voir le tableau de référence des meubles ci-dessous.

- A. Bord inférieur de la face avant au-dessus de la ventilation
- B. Dépassement de la face avant

## Dimensions de l'espace recommandées pour les charnières plates (pour les charnières fixes ou douces).

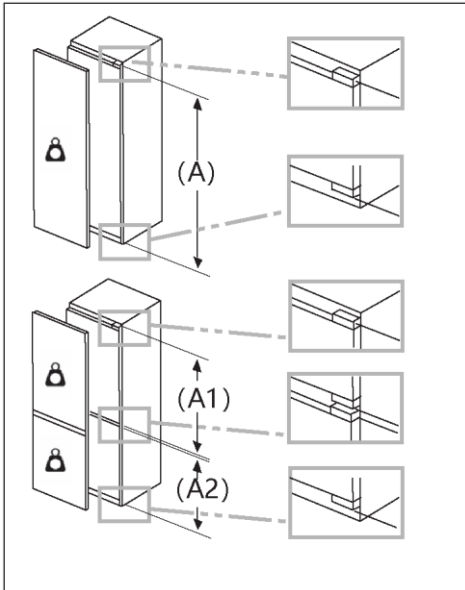


(unité : mm)

F	R	X
16-19	0-3	2,5
20	0-1	3
	2-3	2,5
21	0-1	3
	2-3	2,5
22	0	4
	1	3,5
	2-3	3

Les dimensions de l'espace recommandées dans le tableau doivent être respectées afin de garantir que les portes de l'appareil ne se heurtent à rien lorsqu'elles sont ouvertes et d'éviter d'endommager les éléments de la cuisine.

## Poids maximal autorisé des façades de l'unité



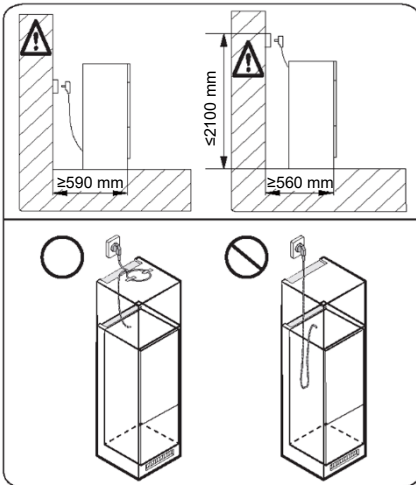
Les façades d'unité montées qui dépassent le poids autorisé peuvent endommager et entraîner un dysfonctionnement des charnières.



**Poids**  
(kg)

1500-1750 mm	22
720-1400 mm	19
A1	15
A2	15

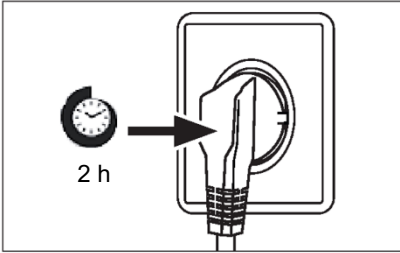
## Prise en compte de l'emplacement de la prise de courant et de l'espace nécessaire



## REMARQUE

Si vous installez le réfrigérateur dans un meuble d'une profondeur de 560 mm, assurez-vous que le cordon d'alimentation est disposé sur un côté du réfrigérateur avant de le brancher sur une prise de courant. Si le cordon d'alimentation se trouve à l'arrière du réfrigérateur, cela pourrait diminuer l'efficacité énergétique.

### Temps d'attente



L'huile de lubrification sans entretien se trouve dans la capsule du compresseur. Cette huile peut passer par le système fermé de tuyauterie pendant le transport incliné. Avant de brancher l'appareil sur l'alimentation électrique, attendez au moins 2 heures afin que l'huile revienne dans la capsule.

### Branchement électrique

Avant chaque branchement, vérifiez si :

- ▶ l'alimentation, la prise et le fusible sont adaptés à la plaque signalétique.
- ▶ la prise de courant est mise à la terre et sans multiprise ni rallonge.
- ▶ la fiche d'alimentation et la prise sont adaptées l'une à l'autre.

Branchez la fiche sur une prise domestique correctement installée.



## AVERTISSEMENT !

Pour éviter tout risque, un câble d'alimentation endommagé doit être remplacé par le service à la clientèle (voir carte de garantie).

## Fiche du produit selon la réglementation UE n° 2019/2016

Marque	Haier	Haier
Nom du modèle/identifiant	HBW7518C	HBW7518DT
Catégorie du modèle	Réfrigérateur-congélateur	Réfrigérateur-congélateur
Classe d'efficacité énergétique	C	D
Consommation d'énergie annuelle (kWh/an)(1)	146	180
Volume total (L)	268	268
Volume du réfrigérateur (L)	182	182
Volume du congélateur (L)	86	86
Volume section refroidisseur (L)	/	/
Volume de la machine à glaçons auto (L)	/	/
Nombre d'étoiles	4	4
Température des autres compartiments > 14 °C	Non applicable	Non applicable
Système sans givre	Oui	Oui
Capacité de congélation (kg/24h)	8	8
Classe climatique (2)	SN/N/ST/T	SN/N/ST/T
Classe d'émission de bruit et émissions acoustiques dans l'air (dB(A) re1 pW)	B 32	B 32
Temps de montée en température (h)	12	11
Capacité de fabrication de glaçons	/	/
Type d'appareil	encastrable	encastrable



Nom du modèle	Classe d'efficacité énergétique
HBW7518C	C
HBW7518DT	D

Explications :

• Oui, fonction présente

- (1) Sur la base des résultats de l'essai de conformité aux normes pendant plus de 24 heures. La consommation réelle dépend de l'utilisation et de l'emplacement de l'appareil.
- (2) Classe climatique SN : cet appareil est destiné à être utilisé à une température ambiante comprise entre +10 °C et +32 °C  
 Classe climatique N : cet appareil est destiné à être utilisé à une température ambiante comprise entre +16 °C et +32 °C  
 Classe climatique ST : cet appareil est destiné à être utilisé à une température ambiante comprise entre +16 °C et +38 °C  
 Classe climatique T : cet appareil est destiné à être utilisé à une température ambiante comprise entre +16 °C et +43 °C

#### Données techniques supplémentaires

Tension / Fréquence	220-240V ~/ 50Hz
Courant d'entrée (A)	2
Fusible principal (A)	16
Réfrigérant	R600a
Dimensions (H/L/P en mm)	1772/540/550

Nous recommandons notre Service clientèle Haier et l'utilisation de pièces détachées d'origine.

Si vous rencontrez un problème avec votre appareil, veuillez d'abord consulter le paragraphe DÉPANNAGE.

Si vous ne trouvez pas de solution, veuillez contacter

- ▶ votre revendeur local ou
- ▶ notre centre de service d'appel européen (voir les numéros de téléphone ci-dessous) ou
- ▶ l'espace Service & Assistance à l'adresse [www.haier.com](http://www.haier.com) où vous pouvez activer la demande
- ▶ de service et trouver également les FAQ.

Pour contacter notre Service, assurez-vous que vous disposez des données suivantes. Les informations se trouvent sur la plaque signalétique.

Modèle \_\_\_\_\_

N° de série \_\_\_\_\_

Vérifiez également la carte de garantie fournie avec le produit en cas de garantie.

Centre de service d'appel européen		
Pays*	Numéro de téléphone	Coûts
Haier Italy (IT)	199 100 912	
Haier Spain (ES)	902 509 123	
Haier Germany (DE)	0180 5 39 39 99	<ul style="list-style-type: none"> <li>• 14 centimes/min ligne fixe</li> <li>• max 42 centimes/min mobile</li> </ul>
Haier Austria (AT)	0820 001 205	<ul style="list-style-type: none"> <li>• 14,53 centimes/min ligne fixe</li> <li>• max 20 centimes/min pour tous les autres</li> </ul>
Haier United Kingdom (UK)	0333 003 8122	
Haier France (FR)	0980 406 409	

\* Pour d'autres pays, veuillez vous référer à [www.haier.com](http://www.haier.com)

Haier Europe Trading S.r.l

Filiale Royaume-Uni

Westgate House, Westgate, Ealing

Londres, W5 1YY

\*Durée de la garantie de l'appareil de réfrigération :

La garantie minimale est : 2 ans pour les pays de l'UE, 3 ans pour la Turquie, 1 an pour le Royaume-Uni, 1 an pour la Russie, 3 ans pour la Suède, 2 ans pour la Serbie, 5 ans pour la Norvège, 1 an pour le Maroc, 6 mois pour l'Algérie, aucune garantie légale pour la Tunisie.

\*La période des pièces détachées pour la réparation de l'appareil :

Les thermostats, les capteurs de température, les circuits imprimés et les sources de lumière sont disponibles pendant une période minimale de sept ans après la mise sur le marché de la dernière unité du modèle.

Poignées de porte, charnières de porte, bacs et paniers pendant une période minimale de sept ans et joints de porte pendant une période minimale de 10 ans, après la mise sur le marché de la dernière unité du modèle.

\*Pour plus d'informations sur le produit, consultez <https://eprel.ec.europa.eu/> ou scannez le code QR sur l'étiquette énergie fournie avec l'appareil.

The Haier logo is displayed in a bold, black, sans-serif font. The background of the page features abstract geometric shapes in shades of gray and white, including a large dark gray shape on the left and a large light gray shape on the right, both with rounded corners and pointed ends.

专用号条码

0060536192  
2024 Version A

# Haier

## Felhasználói kézikönyv

Hűtő-fagyasztó  
HBW7518C  
HBW7518DT

EN

CZ

DE

EL

ES

FR

HU

IT

NL

PL

PT

RO

HU



**WARNING: Risk of fire/flammable material** **EN**  
The symbol indicates there is a risk of fire since flammable materials are used. Take care to avoid causing a fire by ingiting flammable material.

**VAROVÁNÍ: Nebezpečí Požáru/Hořlavého Materiálu** **CZ**

Symbol označuje riziko požáru, protože byly použity hořlavé materiály. Dbejte na to, aby nedošlo ke vzniku požáru zapálením hořlavého materiálu.

**WARNUNG: Brandgefahr/brennbares Material** **DE**

Das Symbol weist auf Brandgefahr hin, da brennbare Materialien verwendet werden. Verhindern Sie die Entstehung von Bränden, die durch entflammbare Materialien verursacht werden.

**ΠΡΟΣΟΧΗ: Κίνδυνος: φωτιάς/εύφλεκτο υλικό** **EL**

Το σύμβολο υποδεικνύει ότι υπάρχει κίνδυνος φωτιάς επειδή χρησιμοποιούνται εύφλεκτα υλικά. Προσέχετε να αποφεύγετε την πρόκληση φωτιάς από ανάφλεξη εύφλεκτου υλικού.

**ADVERTENCIA: Riesgo de incendio o material inflamable** **ES**

El símbolo indica que existe riesgo de incendio, dado que se utilizan materiales inflamables. Se debe procurar evitar incendios medí ante la combustión de materiales inflamables.

**ATTENTION: Risque d'incendie ou de mati ères inflammables** **FR**

Le symbole montre qu'il y'a le risque de maté riaux inflammables sont utilisés. Prendre soin d'éviter de provoquer un incendie en ingérant des matières inflammables.

**FIGYELEM: Tűz / gyűlékony anyag veszélye** **HU**

A szimbólum azt jelzi, hogy tűzveszély áll fenn, mivel gyűlékony anyagokat használnak. Ügyeljen arra, hogy ne tegyen rá tűzveszélyes gyű lékony anyagot.

**ATTENZIONE: Rischio di incendio/materiale infiammabile** **IT**

Il simbolo indica il rischio di incendio nel caso di utilizzo di materiali infiammabili. Fare attenzione ed evitare l'insorgere di incendi a causa della caombustione di materiali infiammabili.

**WAARSCHUWING: Brandrisico / brandbaar materiaal** **NL**

Het systeem geeft aan dat er een brandrisico bestaat aangezien brandbaar materiaal wordt gebruikt. Zorg ervoor dat er geen brand wordt veroorzaakt door brandbaat materiaal te ont steken.

**OSTRZEŽENIE: Ryzyko pożaru/materiał łatwopalny** **PL**

Symbol wskazuje, że istnieje ryzyko pożaru, ponieważ używane są materiały łatwopalne. Dbaj o to, aby uniknąć pożaru poprzez zapale nie łatwopalnego materiału.

**AVISO: Risco de incêndio e material inflamável** **PT**

O símbolo indica que existe um risco de incêndio, uma vez que são utilizados materiais inflamáveis. Tenha cuidado para evitar provocar um incêndio acendendo material inflamável.

**AVERTISMENT: Risc de incendiu/material inflamabil** **RO**

Simbolul indică că există risc de incendiu deoarece sunt folosite materiale inflamabile. Aveți grijă și evitați incendiile aprinzând mate riale inflamabile.

<u>5 Biztonsági információk</u>	<u>Első használat előtt</u>	6
	<u>Telepítés</u>	6
	<u>Napi használat</u>	7
	<u>Gázalapú hűtőközegre vonatkozó információk</u>	9
<u>10 Rendeltetésszerű használat</u>		
<u>11 Termékleírás</u>		
<u>12 Vezérlőpanel</u>		
<u>13 Használat</u>	<u>Panel zárolása/feloldása</u>	13
	<u>Hűtő hőmérsékletének a beállítása</u>	13
	<u>Fagyasztó hőmérsékletének a beállítása</u>	13
	<u>Összekapcsolási funkció</u>	14
	<u>ECO funkció</u>	15
	<u>Holiday funkció</u>	15
	<u>Super Cool funkció</u>	15
	<u>Super Freeze funkció</u>	16
	<u>My Zone funkció kiválasztása</u>	17
<u>19 Berendezés</u>		
<u>20 Energiatakarékosági tippek</u>		
<u>21 Ápolás és tisztítás</u>		
<u>23 Hibaelhárítás</u>		
<u>27 Telepítés</u>		
<u>33 Műszaki adatok</u>		
<u>35 Ügyfélszolgálat</u>		

## Köszönjük, hogy Haier terméket vásárolt.

A készülék használata előtt olvassa el figyelmesen ezeket az utasításokat. Az utasítások fontos információkat tartalmaznak, amelyek segítenek abban, hogy a lehető legtöbbet hozza ki a készülékből, és szavatolják a biztonságos és megfelelő telepítést, használatot és karbantartást.

Tartsa ezt a kézikönyvet könnyen elérhető helyen, hogy bármikor fellapozhassa a készülék biztonságos és megfelelő használatához.

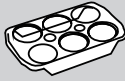
Ha eladja a készüléket, elajándékozza, vagy a lakásban hagyja költözéskor, győződjön meg arról, hogy ezt a kézikönyvet is átadja, hogy az új tulajdonos megismerhesse a készüléket és a biztonsági figyelmeztetéseket.

## Tartozékok

Ellenőrizze a tartozékokat és a szakirodalmat ennek a listának megfelelően:



Jeges  
kockatartó



Tojástartó



Energia  
címke



Jótállási  
kártya



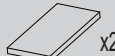
Felhasználói  
kézikönyv



Csavar x4



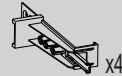
Fedél x2



Szivacs blokk x2



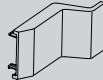
Csúszóvezeték x4



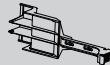
Csúszó  
összeszerelés x4



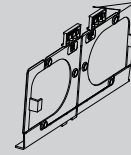
Rögzített  
lemez



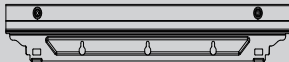
Zsanérfedél



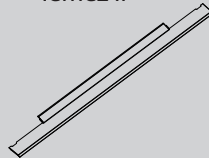
Rögzített  
lemez II



Alsó rögzített lemez



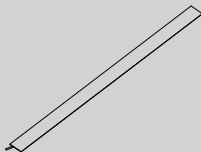
Felső rögzített lemez



Alsó fedél



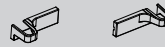
Alsó oldalsó fedél



Tömítőcsík



Tömítő szivacs



Alsó zsanérfedél



**FIGYELMEZTETÉS – Fontos biztonsági információk****MEGJEGYZÉS – Általános információk és tippek****Környezetvédelmi információk****Ártalmatlanítás**

Járuljon hozzá a környezet és az emberi egészség védelméhez. Az újrahasznosítás érdekében a csomagolást a megfelelő hulladéktárolóba selejtezze ki. Járuljon hozzá az elektromos és elektronikus berendezések hulladékainak az újrahasznosításához. Ne a háztartási hulladékkal együtt dobja ki az ezzel a szimbólummal jelölt készülékeket. Vigye vissza a terméket a helyi újrahasznosító létesítménybe, vagy vegye fel a kapcsolatot a helyi hivatallal.

**FIGYELMEZTETÉS:**

Sérülés vagy fulladás veszélye!

A hűtőközegeket és a gázokat szakszerűen kell ártalmatlanítani. Győződjön meg a hűtőkör csövének a sértetlenségéről, mielőtt megfelelően ártalmatlanítaná. Válassza le a készüléket a hálózati tápellátásról. Vágja el a hálózati kábelt és selejtezze ki. Távolítsa el a tálcákat és fiókokat, valamint az ajtóreteszt és a tömítéseket, hogy megakadályozza a gyermekek és háziállatok bezáródását a készülékbe.

## A készülék első bekapcsolása előtt olvassa el a következő biztonsági tanácsokat:



### FIGYELMEZTETÉS:

#### Első használat előtt

- ▶ Győződjön meg arról, hogy szállítás során a termék nem sérült.
- ▶ A készülék telepítése előtt várjon legalább két órát a hűtőkör teljes hatékonyságának biztosítása érdekében.
- ▶ Mivel a készülék nehéz, mindig legalább két személy szükséges a kezeléséhez vagy mozgatásához.
- ▶ Távolítson el minden csomagolóanyagot, tartsa azokat gyermekektől elzárva, kiselejtezésüket pedig környezetbarát módon végezze.
- ▶ Tisztítsa meg a készülék belsejét és külsejét vízzel és kíméletes tisztítószerrel, mielőtt bármilyen ételt tenne bele.
- ▶ A készülék szintbeállítását és tisztítását követően várjon legalább 2–5 órát, mielőtt csatlakoztatná a tápellátáshoz. Lásd a TELEPÍTÉS részt.
- ▶ Az étellel való feltöltés előtt hűtse le a rekeszeket magas beállítások alkalmazásával. A Power-Freeze funkció elősegíti a rekeszek gyors lehűtését.
- ▶ A hűtőrekesz, illetve a fagyasztó hőmérséklete gyári alapbeállítás szerint automatikusan 5 °C, illetve -18 °C. Ezek a javasolt beállítások. Ha kívánja, ezeket a hőmérsékleteket módosíthatja manuálisan. Lásd a HŐMÉRSÉKLET BEÁLLÍTÁSA c. részt.

#### Telepítés

- ▶ A készüléket jól szellőző helyre telepítse. Biztosítson legalább 10 cm-es helyet a készülék felett és körül.
- ▶ Soha ne helyezze a készüléket nedves területre vagy olyan helyre, ahol víz fröccsenhet rá. A vízfröccsenéseket és a foltokat törölje le és szárazra puha, tiszta törlőkendővel.
- ▶ Ne szerelje be a készüléket közvetlen napsugárzásnak kitett helyre vagy hőforrások (pl. kályhák, fűtőberendezések) közelébe.
- ▶ A méretének és felhasználásnak megfelelő helyre szerelje be és állítsa szintbe a készüléket.
- ▶ A berendezésen vagy a beépített szerkezetben a szellőzőnyílásokat ne takarja el.
- ▶ Bizonyosodjon meg arról, hogy az adattáblán olvasható elektromos jellemzők megfelelnek az elérhető tápellátás jellemzőinek. Ellenkező esetben forduljon villanyszerelőhöz.
- ▶ A készülék 220–240 V váltóáramú, 50 Hz-es tápellátást igényel. A rendellenes feszültségingadozás nyomán előfordulhat, hogy a készülék nem indul be, károsodhat a hőmérséklet-vezérlő vagy a kompresszor, illetve működés során rendellenes zaj jelentkezik. Hasonló esetben szereljen fel automatikus feszültségszabályozót.
- ▶ Ne használjon több dugós adaptereket és hosszabbítókábeleket.
- ▶ Ne helyezzen több hordozható csatlakozót vagy hordozható tápegységet a berendezés mögé.
- ▶ Ügyeljen arra, hogy a tápkábel ne szoruljon a hűtőberendezés alá. Ne lépjen a tápkábelre.



## FIGYELMEZTETÉS:

- ▶ A tápegységhez külön földelt aljzatot használjon, amely könnyen hozzáférhető. A készülék mindenképpen földelésre szorul.

Csak az Egyesült Királyság esetén: A készülék tápkábele 3 érintkezős (földeléses) dugasszal rendelkezik, amelyik szabványos 3 érintkezős (földeléses) aljzathoz illeszkedik. Soha ne vágja le vagy távolítsa el a harmadik érintkezőt (földelést). A készülék beszerelését követően a dugasznak hozzáférhetőnek kell maradnia.

- ▶ Ügyeljen a hűtőkör épségére!

### Napi használat

- ▶ A berendezést 8 évnél idősebb gyermekek vagy csökkent fizikai, érzékszervi vagy mentális képességű, vagy tapasztalattal és ismerettel nem rendelkező személyek akkor használhatják, ha felügyelet alatt állnak vagy ha megfelelő utasításokkal látták el őket a berendezés biztonságos használatát illetően, és megértették a használatból eredő veszélyeket.
- ▶ A 3 és 8 év közötti gyermekek be- és kirakodhatják a hűtőkészülékeket, de a hűtőkészülékek tisztítását és szerelését nem végezhetik.
- ▶ Tartsa távol a 3 évesnél fiatalabb gyermekeket a készüléktől, kivéve, ha biztosítja a folyamatos felügyeletet.
- ▶ Gyermekek nem játszhatnak a berendezéssel.
- ▶ Ha hűtőgáz vagy más gyúlékony gáz szivárog a készülék közelében, zárja el a szivárgó gáz szelepét, nyissa ki az ajtókat és ablakokat, és ne húzza ki a hűtőszekrény/fagyasztó vagy más készülék tápkábelének a dugaszát.
- ▶ Vegye figyelembe, hogy a készülék 10 és 43 °C közötti környezeti hőmérsékletben való működésre készült. Előfordulhat, hogy a készülék nem működik megfelelően, ha hosszabb ideig a jelzett tartomány feletti vagy alatti hőmérsékleten üzemel.
- ▶ Ne helyezzen instabil cikkeket (nehéz tárgyakat, vízzel teli edényeket) a hűtőberendezés tetejére, elkerülve így a személyi sérüléseket, amiket ezen tárgyak leesése vagy a vízzel való érintkezés nyomán bekövetkező áramütés okozhat.
- ▶ Ne húzza meg az ajtópolcokat. Az ajtó elferdülhet, kihúzhatja a helyéről a palacktartót, vagy a készülék felborulhat.
- ▶ Az ajtók nyitását vagy becsukását kizárólag a fogantyúkkal végezze. Az ajtók közötti, ill. az ajtó és a szekrény közötti rés nagyon szűk. Ne nyújtsa a kezét ezekre a területekre, mivel az ujjai becsípődhetnek. Csak akkor nyissa ki vagy csukja be a berendezés ajtaját, ha nem állnak gyermekek az ajtó mozgási tartományán belül.



## FIGYELMEZTETÉS:

- ▶ Ne tároljon, ill. használjon gyúlékony, robbanásveszélyes vagy maró hatású anyagokat a készülékben vagy a közelében.
- ▶ A készülékben ne tároljon gyógyszereket, baktériumokat vagy vegyszereket. Ez a készülék háztartási készülék. Nem javasoljuk olyan anyagok tárolását, amelyek szűk hőmérséklet-tartományban tárolhatók.
- ▶ Soha ne tároljon folyadékokat palackokban vagy kannákban (magas alkoholtartalmú italok kivételével), különösen szénsavas italokat a fagyasztóban, mert ezek szétrobbannak fagyasztás közben.
- ▶ Ellenőrizze az élelmiszer állapotát, ha a fagyasztóban felmelegedett a hőmérséklet.
- ▶ Ne állítson be szükségtelenül alacsony hőmérsékletet a hűtőrekeszben. Magas teljesítménybeállítások esetén mínusz fokok alakulhatnak ki. Figyelem: A palackok szétrobbanhatnak
- ▶ Ne nyúljon fagyott tárgyakhoz nedves kézzel (viseljen kesztyűt). Különösen ne egyen jeges nyalókát közvetlenül a fagyasztóból való kivétel után. Fennáll a fagsérülések vagy a hólyagok kialakulásának veszélye. ELSŐSEGÉLYNYÚJTÁS: tartsa a sérülést azonnal folyó hideg víz alá. Ne húzza el!
- ▶ Működés közben ne érintse meg a fagyasztórekesz belső felületét, különösen nedves kézzel, mert a keze a felülethez fagyhat.
- ▶ Áramszünet esetén vagy tisztítás előtt húzza ki a készüléket az alzatból. A készülék újraindítása előtt várjon legalább 7 percet, mivel a készülék gyakori indítása során károsodhat a kompresszor.
- ▶ Ne használjon elektromos készülékeket a berendezés élelmiszer tároló rekeszében, kivéve a gyártó által jóváhagyott típust. Karbantartás / tisztítás
- ▶ Gondoskodjon a gyermekek felügyeletéről, ha tisztítást vagy karbantartást végeznek.
- ▶ A rutinszerű karbantartás megkezdése előtt húzza ki a készüléket a villanyhálózatból. A készülék újraindítása előtt várjon legalább 5 percet, mivel a készülék gyakori indítása során károsodhat a kompresszor.



## FIGYELMEZTETÉS:

- ▶ A készülék aljzatból való leválasztásakor ne a kábelt, hanem a csatlakozódugót húzza.
- ▶ Ne tisztítsa a készüléket keménysörtés kefékkel, drótkefékkel, mosóporral, benzinnel, amil-acetáttal, acetonnal és hasonló szerves oldatokkal, valamint savas vagy lúgos oldatokkal. A károsodások elkerülése érdekében a hűtőszekrény tisztítását speciális, adott célra kialakított tisztítószerrel végezze.
- ▶ Ne kaparja le a fagyot és a jeget éles tárgyakkal. A műanyag alkatrészek károsodásának elkerülése érdekében ne használjon spray-t, elektromos hevítő berendezést, például fűtőberendezést, hajszárítót, gőztisztítót vagy más hőforrást.
- ▶ A kiolvasztási folyamat felgyorsításához csak a gyártó által javasolt mechanikai berendezéseket vagy egyéb eszközöket használja.
- ▶ Ha a tápkábel megsérül, a veszély elkerülése érdekében cseréltesse ki a gyártóval, a gyártó szervizközpontjával vagy más szakemberrel.
- ▶ Ne tegyen kísérletet a készülék saját kezű javítására, szétszerelésére vagy módosítására. Javítás szükségessége esetén vegye fel a kapcsolatot az ügyfélszolgálatunkkal.
- ▶ Évente legalább egyszer távolítsa el a port a készülék hátoldaláról, így elkerülve a tűzveszélyt, valamint a megnövekedett energiafogyasztást.
- ▶ Tisztítás közben ne permetezze vagy öblítse le a készüléket.
- ▶ Ne használjon vízpermetet vagy gőzt a készülék tisztításához.
- ▶ A hideg üvegpolicokat ne tisztítsa forró vízzel. A hirtelen hőmérséklet-változás nyomán az üveg megrepedhet.

## Gázalapú hűtőközegre vonatkozó információk



### FIGYELMEZTETÉS:

A készülék gyúlékony IZOBUTÁN (R600a) hűtőközeget tartalmaz. Győződjön meg arról, hogy a hűtőközeg köre nem sérült meg szállítás vagy telepítés közben. A szivárgó hűtőközeg szemsérülést okozhat, vagy belobbanhat. Sérülés esetén tartsa távol a tűzforrásokat, szellőztesse ki alaposan a helyiséget, ne csatlakoztassa, vagy húzza ki a készülék vagy egyéb készülék tápkábelét. Tájékoztassa az ügyfélszolgálatot.

Ha a hűtőközeg szembe kerül, akkor azonnal öblítse ki folyó víz alatt, és azonnal forduljon szemész szakorvoshoz.

## **Rendeltetészerű használat**

Ez a készülék élelmiszerek hűtésére és fagyasztására szolgál. Kizárólag háztartási és hasonló alkalmazásokra tervezték, mint például az üzletek, irodák és egyéb munkakörnyezetek személyzeti konyháinak területei; tanyasi házakban és szállodák/motelek és egyéb lakókörnyezetben, valamint panziós és vendéglátóipari vállalkozásokban való használatra ügyfelek számára. Tervezéséből adódóan nem alkalmas kereskedelmi vagy ipari használatra.

A készüléken változtatások vagy módosítások végrehajtása nem megengedett. A nem rendeltetészerű használat veszélyeket eredményezhet, illetve a szavatossági igények érvénytelenítésével járhat.

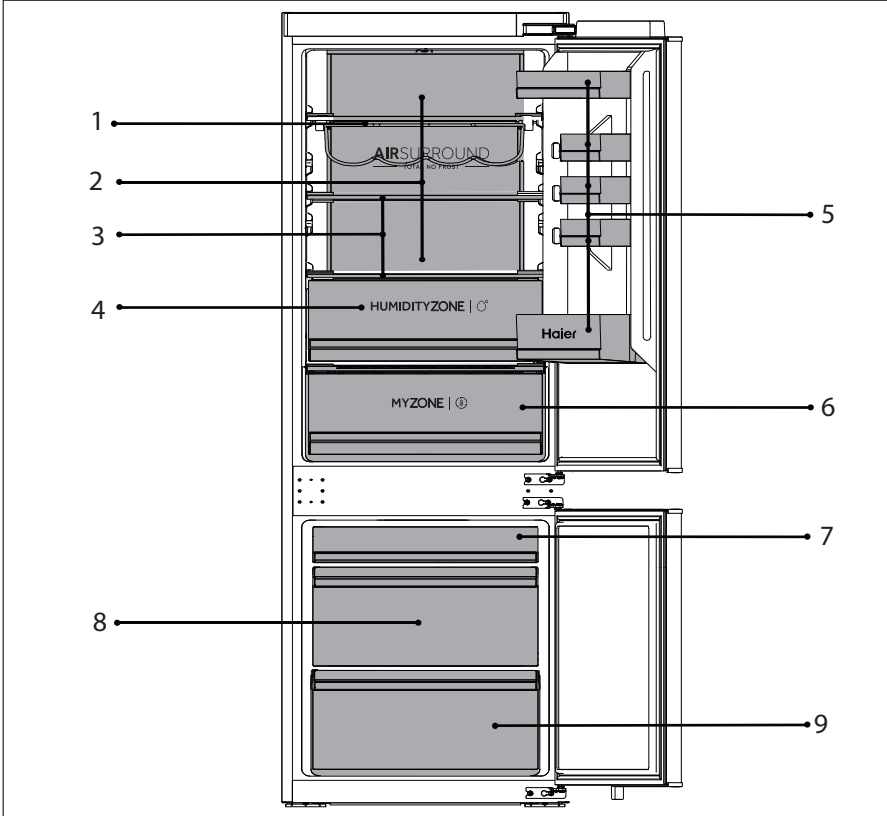
## **Szabványok és irányelvek**



A termék megfelel az összes vonatkozó EK irányelvben meghatározott követelménynek, illetve a vonatkozó harmonizált szabványoknak, amelyek alapján megilleti a CE-jelölés.

## **i** MEGJEGYZÉS

A műszaki módosítások és különböző modellek miatt előfordulhat, hogy a kézikönyvben látható egyes ábrák eltérőek az Ön modelljéhez képest.



## HBW7518C/HBW7518DT

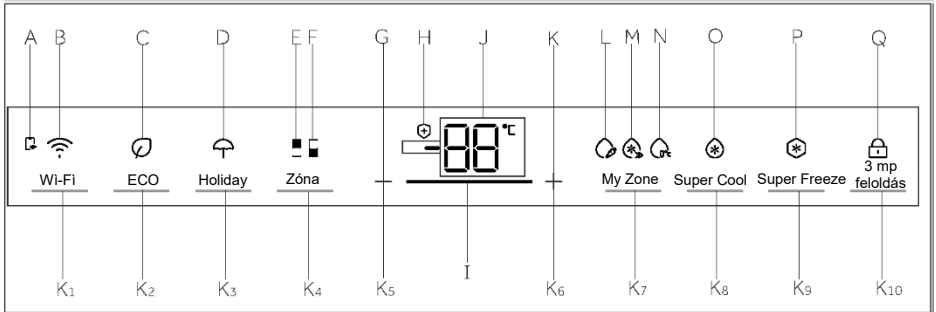
### A: Hűtőrekesz

- 1 Bortartó
- 2 Hűtött légcsatorna
- 3 Szokványos polcok
- 4 Humidity Zone fiók
- 5 Palacktartó
- 6 MyZone fiók

### B: Fagyasztórekesz

- 7 Felső fagyasztófiók
- 8 Középső fagyasztófiók
- 9 Alsó fagyasztófiók

## Vezérlőpanel



### Jelzőfények:

- A Mobilalkalmazás-kapcsolat
- B Wi-Fi funkció
- C ECO funkció
- D Holiday funkció
- E Hűtő jelzőfény
- F Fagyasztó jelzőfény
- G „-” hőmérséklet-állítás
- H Baktériumölő funkció
- I Fokozaterősség kijelzése
- J Hőmérséklet kijelző
- K „+” hőmérséklet-állítás
- L Fruit&Veg funkció
- M QuickCool funkció
- N 0°C Fresh funkció
- O Super Cool funkció
- P Super Freeze funkció
- Q Zárolás és feloldás

### Gombok:

- K<sub>1</sub> Wi-Fi beállítás gomb
- K<sub>2</sub> ECO funkciógomb
- K<sub>3</sub> Holiday funkciógomb
- K<sub>4</sub> Zónaválasztó gomb
- K<sub>5</sub> „-” hőmérséklet-beállító gomb
- K<sub>6</sub> „+” hőmérséklet-beállító gomb
- K<sub>7</sub> My Zone funkcióválasztó gomb
- K<sub>8</sub> Super Cool funkcióválasztó gomb
- K<sub>9</sub> Super Freeze funkcióválasztó
- K<sub>10</sub> Zárolás és feloldás gomb

## Érintésérzékeny gombok

A vezérlőpulton található gombok érintésérzékenyek, és már akkor reagálnak, ha enyhén megérinti az ujjával.

## A készülék be- és kikapcsolása

A készülék működésbe lép, amint csatlakoztatja a tápellátáshoz.

A hűtőszekrény első bekapcsolásakor a „J” jelzés (hőmérséklet kijelző) világít. A hűtőrekesz, illetve a fagyasztó hőmérséklete gyári alapbeállítás szerint automatikusan 5 °C és -18 °C. Az „M” (QuickCool funkció) jelzőfény világít.

A My Zone rekesz vonatkozásában automatikusan aktív a QuickCool funkció.

Talán aktív a vezérlőpult zárolása.





## MEGJEGYZÉS

Amikor a készüléket visszakapcsolja a hálózati tápellátásról való leválasztás után, akár 12 órát is igénybe vehet a megfelelő hőmérséklet elérése.

A kikapcsolás előtt ürítse ki a készüléket. A készülék kikapcsolásához húzza ki a tápkábel dugaszát az aljzatból.

### Panel zárolása/feloldása

Automatikus zárolás: Amikor a hűtőszekrény ajtaja és a fagyasztó ajtaja becsukódik, és 30 másodpercen belül nem nyomnak meg semmilyen gombot, a kijelző automatikusan kialszik és lezáródik.

Kézi lezárás: A kijelző feloldása után nyomja meg a „K<sub>10</sub>” gombot (3 mp feloldás), és tartsa lenyomva 3 másodpercig, a csengő egyszer cseng, a „Q” jelzőfény (Vezérlőpult zárolása) világításba kezd, ekkor a kijelző zárolva van.

Feloldás: A kijelző zárolása után nyomja meg a „K<sub>10</sub>” gombot (3 mp feloldás), és tartsa lenyomva 3 másodpercig, a csengő egyszer cseng, a „Q” jelzőfény (Vezérlőpult zárolása) kikapcsol, ekkor a kijelző zárolását kikapcsolta.

### Hőmérséklet beállítása

A beltéri hőmérsékletet a következő tényezők befolyásolják:

Környezeti hőmérséklet, ajtónyitás gyakorisága, a tárolt élelmiszerek mennyisége, a készülék helye.

### Hűtő hőmérsékletének a beállítása

Amikor a kijelző fel van oldva, nyomja meg a „K<sub>4</sub>” gombot (Zónaválasztó). A csengő egyszer cseng, az „E” jelzés (hűtő jelzőfény) világításba kezd, majd megjelenik a hűtő hőmérséklet-beállítási módja.

Nyomja meg a „K<sub>5</sub>” gombot („-” hőmérséklet-beállító gomb) minden alkalommal, a csengő egyszer cseng, a hűtő beállított hőmérséklete pedig 1-gyel csökken. A hűtőszekrény hőmérséklete a következő sorrendben jelenik meg: „9 °C -> 8 °C -> 7 °C -> 6 °C -> 5 °C -> 4 °C -> 3 °C -> 2 °C -> 1 °C”.

Nyomja meg a „K<sub>6</sub>” gombot („+” hőmérséklet-beállító gomb) minden alkalommal, a csengő egyszer cseng, a hűtő beállított hőmérséklete pedig 1-gyel emelkedik. A hűtőszekrény hőmérséklete a következő sorrendben jelenik meg: „1 °C -> 2 °C -> 3 °C -> 4 °C -> 5 °C -> 6 °C -> 7 °C -> 8 °C -> 9 °C”.



## MEGJEGYZÉS

A hőmérséklet beállítása után, ha 5 másodpercen belül nem végeznek semmilyen műveletet, a rendszer automatikusan meghatározza és menti a beállított hőmérsékletet.

## Fagyasztó hőmérsékletének a beállítása

Amikor a kijelző fel van oldva, nyomja meg a „K<sub>4</sub>” gombot (Zónaválasztó). A csengő egyszer cseng, az „F” jelzés (fagyasztó jelzőfény) világításba kezd, majd megjelenik a fagyasztó hőmérséklet-beállítási módja.

Nyomja meg a „K<sub>5</sub>” gombot („-” hőmérséklet-beállító gomb) minden alkalommal, a csengő egyszer cseng, a fagyasztó beállított hőmérséklete pedig 1-gyel csökken. A fagyasztó hőmérséklete a következő sorrendben jelenik meg: „-14 °C -> -15 °C -> -16 °C->-17 °C -> -18 °C -> -19 °C -> -20 °C -> -21 °C -> -22 °C -> -23 °C -> -24 °C”.

Nyomja meg a „K<sub>6</sub>” gombot („+” hőmérséklet-beállító gomb) minden alkalommal, a csengő egyszer cseng, a fagyasztó beállított hőmérséklete pedig 1-gyel emelkedik. A fagyasztó hőmérséklete a következő sorrendben jelenik meg: „-24 °C -> -23 °C -> -22 °C -> -21 °C -> -20 °C -> -19 °C -> -18 °C -> -17 °C -> -16 °C -> -15 °C -> -14 °C”.



## MEGJEGYZÉS

A hőmérséklet beállítása után, ha 5 másodpercen belül nem végeznek semmilyen műveletet, a rendszer automatikusan meghatározza és menti a beállított hőmérsékletet.

## Wi-Fi funkció

1. Feloldott kijelző mellett nyomja meg a „K<sub>1</sub>” gombot (Wi-Fi funkciógomb), a csengő egyszer cseng, a „B” jelzőfény (Wi-Fi funkció) pedig mindaddig világít, míg a készülék hálózathoz nem csatlakozik. Sikeres kapcsolódás után maradjon bekapcsolva hosszú ideig, majd a Wi-Fi funkció bekapcsol.
2. Feloldott kijelző mellett nyomja meg a „K<sub>1</sub>” gombot (Wi-Fi funkciógomb), a csengő egyszer cseng, a „B” jelzőfény (összekapcsolási funkció) pedig kikapcsol, majd a készülék kikapcsolja a Wi-Fi funkciót.

## PÁROSÍTÁSI ELJÁRÁS AZ ALKALMAZÁSBAN

<p>1. lépés • Töltse le a hOn alkalmazást a megfelelő áruházból</p> <div style="display: flex; align-items: center;">  <div style="display: flex; gap: 10px;"> <div style="text-align: center;">  <p>GET IT ON <b>Google Play</b></p> </div> <div style="text-align: center;">  <p>Download on the <b>App Store</b></p> </div> <div style="text-align: center;">  <p>EXPLORE IT ON <b>AppGallery</b></p> </div> </div> </div>	
<p>2. lépés</p> <p>Hozza létre fiókját a hOn alkalmazásban, vagy jelentkezzen be, ha már van fiókja</p> 	<p>3. lépés</p> <p>Kövesse a hOn alkalmazás párosításra vonatkozó utasításait</p> 

## ECO funkció

1. Feloldott kijelző mellett nyomja meg a „K<sub>2</sub>” gombot (ECO funkciógomb), a csengő egyszer cseng, a „C” jelzőfény (ECO funkció) pedig világításba kezd, majd a készülék bekapcsolja az ECO funkciót.
2. Feloldott kijelző mellett nyomja meg a „K<sub>2</sub>” gombot (ECO funkciógomb), a csengő egyszer cseng, a „C” jelzőfény (ECO funkció) pedig kikapcsol, majd a készülék letiltja az ECO funkciót.

## Holiday funkció

1. Feloldott kijelző mellett nyomja meg a „K<sub>3</sub>” gombot (Holiday funkciógomb), a csengő egyszer cseng, a „D” jelzőfény (Holiday funkció) pedig világításba kezd, majd a készülék bekapcsolja a Holiday funkciót.
2. Feloldott kijelző mellett nyomja meg a „K<sub>3</sub>” gombot (Holiday funkciógomb), a csengő egyszer cseng, a „D” jelzőfény (Holiday funkció) kikapcsol, majd a készülék letiltja a Holiday funkciót.

## MEGJEGYZÉS

1. A Holiday funkció elsősorban rövid távú utazásokhoz vagy egyéb életeseményekhez megfelelő, és a Holiday funkció használata megköveteli a hűtőszekrény kiürítését.
2. Bekapcsolt Holiday funkció mellett a hűtőrekesz hőmérséklete magasabb lesz (kb. 17 °C), ezért kérjük, figyeljen arra, hogy előzetesen ürítse ki a hűtőrekeszt az élelmiszerek megromlását megelőzendő.
3. Holiday üzemmódban a Fruit&Veg, QuickCool, 0°C Fresh funkció ikonok a My Zone részben kikapcsolnak, és a My Zone rekesz hőmérséklete nem állítható be. A hűtőtér és a My Zone rekesz a Holiday funkció kikapcsolásakor visszatér az előző beállításokhoz.

### Super Cool funkció

1. Feloldott kijelző mellett nyomja meg a „K<sub>8</sub>” gombot (Super Cool funkcióválasztó), a csengő egyszer cseng, az „O” jelzőfény (Super Cool funkció) pedig világításba kezd, majd bekapcsol a Super Cool funkció.
2. Az „O” visszajelző (Super Cool funkció) világítása mellett nyomja meg a „K<sub>8</sub>” gombot (Super Cool funkcióválasztó), a csengő egyszer cseng, az „O” visszajelző (Super Cool funkció) kikapcsol, és kikapcsol a Super Cool funkció.
3. A Super Cool funkció bekapcsolása után a hűtőberendezés automatikusan kikapcsolja a funkciót a beállított hőmérséklet elérésekor. Ha manuálisan szeretne letiltani a funkciót, a kikapcsoláshoz nyomja meg a „K<sub>8</sub>” gombot (Super Cool funkcióválasztó).



## MEGJEGYZÉS

1. Super Cool állapotban a hűtő hőmérséklete nem állítható be. Ha megnyomja a „K<sub>5</sub>” („-” hőmérséklet-beállító gomb) vagy a „K<sub>6</sub>” („+” hőmérséklet-beállító gomb) gombot a hűtőszekrény hőmérsékletének a beállításához, az „O” (Super Cool jelzőfény) villogni kezd hangjelzés kíséretében, jelezve, hogy ez a művelet nem hajtható végre.
2. Super Cool üzemmódban az Auto-set funkció nem kapcsolható be egyszerre a különböző vezérlési módok miatt. Ha kiválaszt egy olyan funkciót, amely ütközik egy másik funkcióval, az eredeti funkció automatikusan kikapcsol.
3. A funkció 4 óra elteltével automatikusan kikapcsol.

### Super Freeze funkció

1. Feloldott kijelző mellett nyomja meg a „K<sub>9</sub>” gombot (Super Freeze funkcióválasztó), a csengő egyszer cseng, a „P” jelzőfény (Super Freeze funkció) pedig világításba kezd, majd bekapcsol a Super Freeze funkció.
2. A „P” jelzőfény (Super Freeze funkció) világítása mellett nyomja meg a „K<sub>9</sub>” gombot (Super Freeze funkcióválasztó), a csengő egyszer cseng, a „P” jelzőfény (Super Freeze funkció) kikapcsol, és kikapcsol a Super Freeze funkció.

3. A Super Freeze funkció bekapcsolása után a hűtőberendezés automatikusan kikapcsolja a funkciót a beállított hőmérséklet elérésekor. Ha manuálisan szeretne letiltani a funkciót, a kikapcsoláshoz nyomja meg a „K<sub>9</sub>” gombot (Super Freeze funkcióválasztó).



## **i** MEGJEGYZÉS

1. Super Freeze állapotban a fagyasztó hőmérséklete nem állítható be. Ha megnyomja a „K<sub>5</sub>” („-” hőmérséklet-beállító gomb) vagy a „K<sub>6</sub>” („+” hőmérséklet-beállító gomb) gombot a fagyasztó hőmérsékletének a beállításához, a „P” (Super Freeze jelzőfény) villogni kezd hangjelzés kíséretében, jelezve, hogy ez a művelet nem hajtható végre.
2. A Super Freeze funkció a fagyasztott élelmiszerek tápértékének megőrzésére szolgál, és a legrövidebb idő alatt lefagyasztja az ételt. Használhatja a funkciót, amikor egyszerre nagy mennyiségű fagyasztott élelmiszert kell lefagyasztani. Mindazonáltal a Super Freeze funkciót 24 órával előre be kell állítani, hogy a fagyasztó viszonylag alacsony hőmérsékletű legyen, amikor behelyezi az ételt. Ekkor a fagyasztó fagyasztási sebessége javul, az élelmiszerek gyorsan lefagyaszthatók, az élelmiszerek tápanyagtartalma hatékonyan megőrizhető, és a tárolás kényelmesebbé válik.
3. A Super Freeze funkció 50 óra elteltével automatikusan kikapcsol, és a készülék az előzőleg beállított hőmérsékleten működik tovább.

## My Zone funkció kiválasztása

Feloldott kijelző mellett nyomja meg a „K<sub>7</sub>” gombot (My Zone funkciógomb), a csengő egyszer cseng, az „L” jelzőfény (Fruit&Veg funkció) pedig világításba kezd, majd a készülék bekapcsolja a Fruit&Veg funkciót. Ha megnyomja bármelyik „K<sub>7</sub>” gombot a My Zone funkció kiválasztásához, a csengő ismét megszólal egyszer, és az „M” jelzőfény (Quick Cool funkció) világításba kezd, és bekapcsol a QuickCool funkció. A My Zone funkció opciói a Fruit&Veg, a QuickCool és a 0°C Fresh.

## **i** MEGJEGYZÉS

1. A hűtőberendezés első bekapcsolásakor az „L” jelzőfény világításba kezd, és a My Zone funkció automatikusan működésbe lép QuickCool opcióval. A három My Zone jelzőfény egyikének világításba kell. Amikor ismét kiválasztja a My Zone funkciót, az előzőleg kiválasztott jelzőfény nem választható ki. A három opció közül csak az egyik állítható be. A három opció kölcsönösen kizárja egymást.
2. A My Zone tárolási hőmérsékletének értéke nem haladhatja meg a hűtőkészülék hőmérsékletének az értékét.
3. A hűtőtér hőmérsékletének csökkentéséhez használja a 0°C Fresh opciót. Növeléséhez használja a Fruit&Veg opciót.

## My Zone fiók

A hűtőrekesz My Zone fiókkal rendelkezik. Az élelmiszertárolási igényeknek megfelelően kiválaszthatja a legmegfelelőbb hőmérsékletet az élelmiszerek optimális tápértékének a szavatolásához. A következő üzemmódok érhetőek el.

### Fruit&Veg opció

Ez az opció gyümölcsök és zöldségek, például alma, sárgarépa stb. tárolására készült.

### QuickCool opció

Ez az opció alkalmas italok, például kóla, sör stb. tárolására.



## MEGJEGYZÉS: Fruit&Veg

A hidegre érzékeny gyümölcsök, így például az ananász, az avokádó, a banán, a grapefruit és a zöldségek, mint például a burgonya, padlizsán, bab, uborka, cukkini, paradicsom és sajt nem tárolható a My Zone fiókban.

### 0°C Fresh opció

Ez az opció 0 °C-ra állítja a hőmérsékletet a My Zone fiókban. Friss élelmiszerek, például hús vagy instant termékek tárolására alkalmas. A legtöbb étel friss marad 0 °C-on, de fagyaszta már nem.



## MEGJEGYZÉS: 0°C Fresh

1. A hús eltérő víztartalma miatt néhány nagyobb nedvességtartalmú hús megfagy 0 °C-nál alacsonyabb hőmérsékleten. Tehát az „azonnal felvágott” húst a My Zone fiókban tárolja, min. 0 °C hőmérsékleten.
2. Ha a 0°C Fresh opciót választotta, a hűtőrekesz hőmérsékletét állítsa alacsony szintre (5 °C alá), így szavatolva az optimális tárolási környezetet az élelmiszereknek.

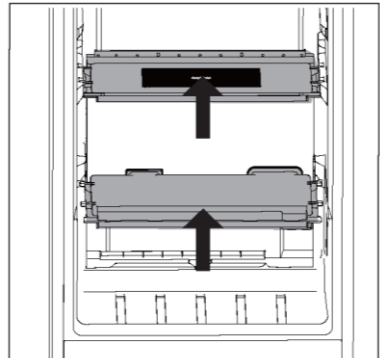
## Humidity Zone fiók

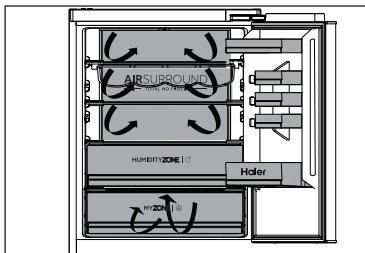
Ebben a rekeszben a páratartalom meghaladja a hűtőrekesz páratartalmát. Ezt a rendszer automatikusan vezérli, és a rekesz megfelelő gyümölcsök, zöldségek, saláták stb. tárolására.



## MEGJEGYZÉS

1. Ne távolítsa el a műanyag fedelet a két zónán belül.
2. Ezek segítenek a páratartalom fenntartásában.
3. A hidegre érzékeny gyümölcsöket, például ananászt, avokádót, banánt, grapefruitot nem ajánlott ebben a két fiókban tárolni.



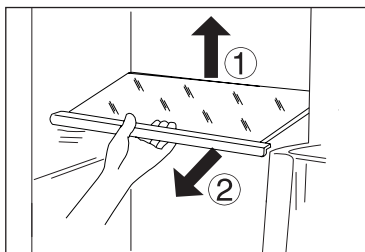


### Többirányú légáramlás

1. A hűtőszekrény többirányú légáramlási rendszerrel van felszerelve, amely hűvös légárammal látja el az összes polcszintet. Ez segít az egységes hőmérséklet megőrzésében a készülékben, így az étel hosszabb ideig frissebb maradhat.

### Állítható polcok

1. A polcok magasságát az Ön tárolási igényeihez igazíthatja.
2. Egy polc áthelyezéséhez először emelje fel a hátsó szélét ①, majd húzza ki a polcot ②.
3. A visszaszereléshez helyezze mindkét oldalon a fűlekre, és tolja a leghátsó helyzetbe, amíg a polc hátulja nem rögzül az oldalsó nyílásokban

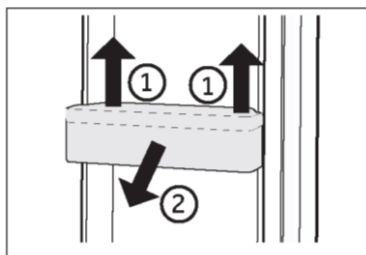


## **i** MEGJEGYZÉS

Győződjön meg arról, hogy a polc mindegyik éle vízszintesen helyezkedik el.

### Levehető ajtópolcok/palacktartó

1. Az ajtó polcai tisztítás céljából eltávolíthatók:
2. Tegye a kezét az állvány két oldalára, emelje fel ①, majd húzza ki a polcot ②.
3. Az ajtópolc behelyezéséhez hajtsa végre a fenti lépéseket fordított sorrendben.



## **i** MEGJEGYZÉS

Amikor a készüléket bekapcsolja, akár 12 órát is igénybe vehet a megfelelő hőmérséklet elérése.

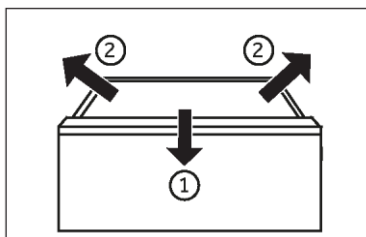
### Eltávolítható fiók

A fiók eltávolításához húzza ki azt a végpontig ①, majd emelje fel és vegye ki ②

A fiók behelyezéséhez hajtsa végre a fenti lépéseket fordított sorrendben.

### A világítás

A LED-es belső világítás bekapcsol az ajtó nyitásakor. A lámpák teljesítményét a készülék semmilyen egyéb beállítása nem befolyásolja.





## Energiatakarékossági tippek

- ▶ Bizonyosodjon meg arról, hogy a készülék megfelelő szellőzéssel rendelkezik (lásd a TELEPÍTÉS részt).
- ▶ Ne szerelje be a készüléket közvetlen napsugárzásnak kitett helyre vagy hőforrások (pl. kályhák, fűtőberendezések) közelébe.
- ▶ Kerülje a szükségtelenül alacsony hőmérsékletet a készülékben. Minél alacsonyabb hőmérsékletet állít be, annál jobban növekszik az energiafogyasztás.
- ▶ Az olyan funkciók, mint a Super Freeze, magasabb energiafogyasztást eredményeznek.
- ▶ Mielőtt a készülékbe tenné, hagyja, hogy a meleg élelmiszer kihűljön.
- ▶ Minél kevésbé és minél rövidebb ideig nyissa ki a készülék ajtaját.
- ▶ Ne töltsé túlságosan meg a készüléket, mivel ez akadályozza a légáramlást.
- ▶ Kerülje, hogy levegő maradjon az élelmiszerek csomagolásában.
- ▶ Az ajtótmítéseket tartsa tisztán, hogy az ajtó mindig megfelelően becsukódhasson.
- ▶ A fagyos élelmiszert a hűtőrekeszben olvassza ki.
- ▶ Az energiatakarékosság szempontjából leghatékonyabb konfiguráció biztosításához a készüléknek gyári állapotú és tisztaságú fiókokra, élelmiszerdobozokra, polcokra van szüksége, és az élelmiszert úgy kell elhelyezni, hogy az a legkevésbé korlátozza a levegőáramlást a légcsatorna levegőkimeneteinél.





## FIGYELMEZTETÉS:

Tisztítás előtt válassza le a hálózatról a készüléket.

### Tisztítás

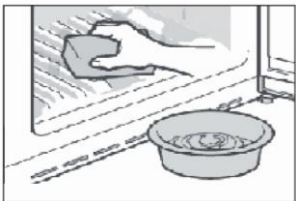
Akkor tisztítsa meg a készüléket, amikor kevés vagy semmilyen élelmiszer nem található benne.

A készüléket tisztítsa meg négyhetente a megfelelő karbantartás jegyében, illetve megelőzendő a kellemetlen élelmiszer illatok kialakulását.



## FIGYELMEZTETÉS:

- ▶ Ne tisztítsa a készüléket keménysörtés kefékkel, drótkefékkel, mosóporral, benzinnel, amil-acetáttal, acetonnal és hasonló szerves oldatokkal, valamint savas vagy lúgos oldatokkal. A károsodások elkerülése érdekében a hűtőszekrény tisztítását speciális, adott célra kialakított tisztítószerrel végezze.
- ▶ Tisztítás közben ne permetezze vagy öblítse le a készüléket.
- ▶ Ne használjon vízpermetet vagy gőzt a készülék tisztításához.
- ▶ A hideg üvegpalcokat ne tisztítsa forró vízzel. A hirtelen hőmérséklet-változás nyomán az üveg megrepedhet.
- ▶ Ne érintse meg a fagyasztórekesz belső felületét, különösen nedves kézzel, mert a keze a felülethez fagyhat.
- ▶ Felmelegítés esetén ellenőrizze a fagyasztott áruk állapotát.



- ▶ Mindig tartsa tisztán az ajtótomítést.
- ▶ Tisztítsa meg a készülék belsejét és burkolatát meleg vízzel és semleges tisztítószerrel átnedvesített szivaccsal.
- ▶ 1. Tisztítsa meg a hűtőszekrény belsejét és külsejét, beleértve az ajtótomítést, az ajtópolcot, az üvegpalcokat, a dobozokat és így tovább, puha törülköendővel vagy meleg vízbe mártott szivaccsal (a művelethez a meleg vízbe elegyíthet semleges tisztítószer).
- ▶ 2. Ha folyadék ömlött ki, távolítsa el az összes szennyezett alkatrészt, öblítse át ezeket közvetlenül folyó víz alatt, majd szárítsa meg és tegye vissza az alkatrészeket a hűtőbe.
- ▶ 3. Krémszerű termékek (például tejszín, olvadó jégkrém) kiömlése esetén, kérjük, távolítsa el az összes szennyezett alkatrészt, helyezze adott időtartamra meleg, kb. 40 °C-os vízbe, majd öblítse át folyó vízzel, szárítsa meg, végül pedig tegye vissza a hűtőszekrénybe.
- ▶ 4. Abban az esetben, ha egy kisebb alkatrész vagy alkotóelem reked a hűtőszekrény belsejébe (a polcok vagy fiókok közé), az eltávolításhoz kis puha keféet használjon. Ha nem tud hozzáférni az alkatrészhez, forduljon a Haier márkaszervizhez
- ▶ Öblítse le a felületeket, majd törölje szárazra egy puha törülköendővel.
- ▶ A készülék egyetlen részét vagy tartozékát se tisztítsa mosogatógépben.
- ▶ A készülék újraindítása előtt várjon legalább 5 percet, mivel a készülék gyakori indítása során károsodhat a kompresszor.

### Leolvasztás

A hűtőszekrény és a fagyasztórekeszek kiolvasztása automatikusan történik: nincs szükség felhasználói beavatkozásra.

## A LED-es lámpák cseréje



### FIGYELMEZTETÉS:

Ne tegyen kísérletet a LED-es lámpák saját kezű cseréjére, ezeket csak a gyártó vagy a hivatalos szerviz munkatársa cserélheti ki.

A lámpa fényforrása LED alapú, amely alacsony fogyasztást és hosszú élettartamot szavatol. Bármilyen rendellenesség esetén vegye fel a kapcsolatot az ügyfélszolgálattal. Lásd az ÜGYFÉLSZOLGÁLAT részt.

A lámpák paraméterei:

Hűtőrekesz: 12 V max. 2 W

Fagyasztórekesz: 12 V, max. 2 W

### Hosszabb használaton kívüli időszak

Ha a készülék használatát nem tervezi hosszabb ideig, használja a hűtő Holiday funkcióját:

Vegye ki az ételt.

Húzza ki a tápkábelt.

Tisztítsa meg a készüléket a fent leírtak szerint.

A kellemetlen szagok készüléken belüli megjelenésének elkerülése érdekében hagyja nyitva az ajtókat.



### MEGJEGYZÉS

Csak akkor kapcsolja ki a készüléket, ha feltétlenül szükséges.

### A készülék mozgatása

1. Távolítsa el az összes élelmiszert, és húzza ki a készülék csatlakozódugóját.
2. Rögzítse a polcokat és az egyéb mozgatható alkatrészeket a hűtőben és a fagyasztóban szigetelőszalaggal.
3. A hűtőrendszer károsodásának az elkerülése érdekében ne döntse meg a hűtőberendezést 45°-nál nagyobb szögben.



### FIGYELMEZTETÉS!

- ▶ Ne emelje a készüléket a fogantyútól.
- ▶ Soha ne fektesse a készüléket vízszintesen a földre.

Sok felmerülő problémát saját maga is megoldhat speciális szakértelem nélkül. Probléma felmerülése esetén ellenőrizze az összes felsorolt lehetőséget, és kövesse az alábbi utasításokat, mielőtt felvenné a kapcsolatot egy ügyfélszolgálattal. Lásd az ÜGYFÉLSZOLGÁLAT részt.



## FIGYELMEZTETÉS:

- ▶ Karbantartás előtt kapcsolja ki a készüléket, és húzza ki a hálózati dugaszt a hálózati aljzathoz.
- ▶ Az elektromos berendezéseket csak szakképzett villamossági szakemberek szervizelhetik, mert a nem megfelelő javítások jelentős károkat okozhatnak.
- ▶ Sérült tápkábel esetén a veszély elkerülése érdekében cseréltesse ki azt a gyártóval, a gyártó szervizközpontjával vagy más szakemberrel.

Probléma	Lehetséges ok	Lehetséges megoldás
A kompresszor nem működik.	<ul style="list-style-type: none"> <li>• A hálózati dugasz nem csatlakozik a hálózati aljzathoz.</li> <li>• A készülék leolvasztási ciklust végez</li> </ul>	<ul style="list-style-type: none"> <li>• Csatlakoztassa a hálózati csatlakozódugót.</li> <li>• Ez természetes jelenség automatikus leolvasztásnál</li> </ul>
A készülék gyakran bekapcsol vagy túlságosan hosszú ideig üzemel.	<ul style="list-style-type: none"> <li>• A beltéri vagy kültéri hőmérséklet túl magas.</li> <li>• A készülék hosszabb ideig kikapcsolt állapotban volt.</li> <li>• Egy ajtó a készülékben nem záródik megfelelően.</li> <li>• Az ajtót túlságosan gyakran nyitotta ki, vagy túlságosan sokáig tartotta nyitva.</li> <li>• A fagyasztórekesz hőmérsékletének a beállítása túl alacsony.</li> <li>• Az ajtó tömítése szennyezett, kopott, repedt vagy nem megfelelő.</li> <li>• A szükséges szellőzés nem biztosított.</li> </ul>	<ul style="list-style-type: none"> <li>• Ebben az esetben természetes, hogy a készülék üzemideje megnövekedett.</li> <li>• Normál esetben 8 és 12 óra közötti időtartam szükséges a készülék teljes lehűléséhez.</li> <li>• Cskujja be az ajtót/fiókot, és bizonyosodjon meg arról, hogy a készülék egyenes felületen található, és hogy élelmiszer vagy tárolóedény nem akadályozza az ajtó záródását.</li> <li>• Ne nyissa ki az ajtót/fiókot túl gyakran.</li> <li>• Állítsa a hőmérsékletet magasabbra, amíg a hűtőszekrény hőmérséklete megfelelő nem lesz. A hűtőszekrény hőmérsékletének a stabilizálódása 24 órát vesz igénybe.</li> <li>• Tisztítsa meg az ajtót/fiók tömítését, vagy cserélje ki ezt az ügyfélszolgálat bevonásával.</li> <li>• Bizonyosodjon meg arról, hogy megfelelő a szellőzés.</li> </ul>
A hűtőberendezés belső része szennyezett és/vagy kellemetlen szagú.	<ul style="list-style-type: none"> <li>• A hűtőszekrény belső részét tisztítást igényel.</li> <li>• Erős illatú élelmiszert tárol a hűtőberendezésben.</li> </ul>	<ul style="list-style-type: none"> <li>• Tisztítsa meg a hűtőszekrény belső részét.</li> <li>• Alaposan csomagolja be az élelmiszert.</li> </ul>

Probléma	Lehetséges ok	Lehetséges megoldás
Nincs elég hideg a készülék belsejében	<ul style="list-style-type: none"> <li>A beállított hőmérséklet túl magas.</li> <li>Túl meleg árukat helyezett a készülékbe.</li> <li>Túl sok ételt helyezett egyszerre a készülékbe.</li> <li>Az élelmiszert egymáshoz túl közel helyezte.</li> <li>Egy ajtó/fiók a készülékben nem záródik megfelelően.</li> <li>Az ajtót/fiókot túlságosan gyakran nyitotta ki, vagy túlságosan sokáig tartotta nyitva.</li> </ul>	<ul style="list-style-type: none"> <li>Állítsa vissza a hőmérsékletet.</li> <li>Tárolás előtt mindig hagyja lehűlni az élelmiszert.</li> <li>Az élelmiszereket mindig kis mennyiségben helyezze be.</li> <li>Hagyjon rést az élelmiszerek között, ami lehetővé teszi a levegő áramlását.</li> <li>Csukja be az ajtót/fiókot.</li> <li>Ne nyissa ki az ajtót/fiókot túl gyakran.</li> </ul>
Túl hideg van a készülék belsejében.	<ul style="list-style-type: none"> <li>A beállított hőmérséklet túl alacsony.</li> <li>A Super Freeze/Super Cool funkció aktív, vagy túl sokáig működik.</li> </ul>	<ul style="list-style-type: none"> <li>Állítsa vissza a hőmérsékletet.</li> <li>Kapcsolja ki a Super Freeze/Super Cool funkciót</li> </ul>
Pára csapódik le a hűtőrekesz belső részén.	<ul style="list-style-type: none"> <li>Az éghajlat túl meleg vagy túl nedves.</li> <li>Egy ajtó/fiók a készülékben nem záródik megfelelően.</li> <li>Az ajtót/fiókot túlságosan gyakran nyitotta ki, vagy túlságosan sokáig tartotta nyitva.</li> <li>Étel- vagy folyadékártalók nyitott állapotban maradtak a hűtőben.</li> </ul>	<ul style="list-style-type: none"> <li>Növelje a hőmérsékletet.</li> <li>Csukja be az ajtót/fiókot.</li> <li>Ne nyissa ki az ajtót/fiókot túl gyakran.</li> <li>A forró élelmiszereket hagyja szobahőmérsékletre hűlni, illetve fedje le az élelmiszereket és folyadékokat.</li> </ul>
Nedvesség gyűlik fel a hűtőberendezés külső felületén vagy az ajtó/ajtók és a fiók között.	<ul style="list-style-type: none"> <li>Az éghajlat túl meleg vagy túl nedves.</li> <li>Az ajtó nincs megfelelően becsukva. A készülékben lévő hideg levegő és az azon kívüli meleg levegő páralecsapódást eredményez.</li> </ul>	<ul style="list-style-type: none"> <li>Ez természetes jelenség nedves éghajlati viszonyok között, és megszűnik, amint csökken a páratartalom.</li> <li>Bizonyosodjon meg arról, hogy megfelelően becsukta az ajtót/fiókot.</li> </ul>
A kijelző világítása működik, de nem hívós.	<ul style="list-style-type: none"> <li>Demo módban van.</li> </ul>	<ul style="list-style-type: none"> <li>Kérjük, vegye figyelembe, hogy milyen állapotban van, ha Demo módban van, lépjen ki belőle. Kilépés: Tartsa lenyomva az "ECO" gombot, és kattintson a "Super Freeze" gombra ötször 5 másodperc alatt.</li> </ul>

Probléma	Lehetséges ok	Lehetséges megoldás
Vastag jég és zúzmara található a fagyasztórekeszben.	<ul style="list-style-type: none"> <li>Az élelmiszereket nem csomagolta be megfelelően.</li> <li>Egy ajtó/fiók a készülékben nem záródik megfelelően.</li> <li>Az ajtót/fiókot túlságosan gyakran nyitotta ki, vagy túlságosan sokáig tartotta nyitva.</li> <li>Az ajtó/fiók tömítése szennyezett, kopott, repedt vagy nem megfelelő.</li> <li>Valami belülről megakadályozza az ajtó/fiók megfelelő záródását.</li> </ul>	<ul style="list-style-type: none"> <li>Mindig csomagolja be alaposan az élelmiszereket.</li> <li>Csukja be az ajtót/fiókot.</li> <li>Ne nyissa ki az ajtót/fiókot túl gyakran.</li> <li>Tisztítsa meg az ajtó/fiók tömítését, vagy cserélje új alkatrészeire.</li> <li>Helyezze vissza a polcokat, az ajtópolcokat vagy belső tartályokat, hogy az ajtó/fiók becsukódhasson.</li> </ul>
A szekrény oldalai és az ajtó tömítés felmelegedik.	<ul style="list-style-type: none"> <li>-</li> </ul>	<ul style="list-style-type: none"> <li>Ez természetes jelenség.</li> </ul>
A készülék rendellenes hangokat ad ki.	<ul style="list-style-type: none"> <li>A készülék nem vízszintes talajon helyezkedik el.</li> <li>A készülék hozzáér valamilyen körülötte lévő tárgyhoz.</li> </ul>	<ul style="list-style-type: none"> <li>Állítsa be a lábakat a készülék szintbe állításához.</li> <li>Távolítsa el a készülék mellett lévő tárgyakat.</li> </ul>
Az áramló vízhez hasonló halk hang hallható.	<ul style="list-style-type: none"> <li>-</li> </ul>	<ul style="list-style-type: none"> <li>Ez természetes jelenség.</li> </ul>
Riasztó hangjelzése hallható.	<ul style="list-style-type: none"> <li>A hűtörekesz ajtója nyitva maradt.</li> </ul>	<ul style="list-style-type: none"> <li>Csukja be az ajtót.</li> </ul>
Halk zümmögés hallható.	<ul style="list-style-type: none"> <li>A kondenzációgátló rendszer működik</li> </ul>	<ul style="list-style-type: none"> <li>Ez megakadályozza a páralecsapódást és normális</li> </ul>
A belső világítás vagy hűtőrendszer nem működik.	<ul style="list-style-type: none"> <li>A hálózati dugasz nem csatlakozik a hálózati aljzathoz.</li> <li>Az áramellátás nem megfelelő.</li> <li>A LED-es lámpa meghibásodott.</li> </ul>	<ul style="list-style-type: none"> <li>Csatlakoztassa a hálózati csatlakozódugót.</li> <li>Ellenőrizze a helyiség áramellátását. Vegye fel a kapcsolatot a helyi áramszolgáltatóval!</li> <li>Vegye fel a kapcsolatot a szervizzel a lámpa kicseréléséhez.</li> </ul>

A műszaki támogatással való kapcsolatfelvételhez látogasson el a következő webhelyre: <https://corporate.haier-europe.com/en/>

A „webhely” (website) rész alatt válassza ki a termék márkáját és országát. Az oldal átirányítja az adott webhelyre, ahol megtalálható a műszaki támogatás eléréséhez szükséges telefonszám és űrlap.

### **Tápellátás megszakadása**

Tápkimaradás esetén az élelmiszer biztonságos hidegben marad megközelítőleg 5 órán át. Hosszabb áramkimaradás esetén, különösen nyáron, kövesse az alábbi tippeket:

- ▶ Minél kevesebbszer nyissa ki az ajtót/fiókot.
- ▶ Tápkimaradás esetén ne tegyen további élelmiszereket a készülékbe.
- ▶ Ha a szolgáltató előzetesen tájékoztat a várható tápkimaradásról, és ha a tápkimaradás időtartama meghaladja az 5 órát, gyártson némi jeget, és helyezze a hűtőrekesz felső részébe.
- ▶ A megszakítást követően azonnal vizsgálja meg az élelmiszert.
- ▶ Mivel a hűtőszekrényben a hőmérséklet áramkimaradás vagy egyéb meghibásodás esetén emelkedni fog, a tárolási időtartam és az élelmiszer fogyaszthatósági időtartama lecsökken. Röviddel a kimaradást követően a kiolvadt élelmiszert fogyassza el, vagy főzze meg, és fagyassza le ismét (ha lehetséges) az egészségügyi kockázatok elkerülése érdekében.

### **Memória funkció áramkimaradás esetén**

Az áramellátás helyreállítása után a készülék az áramkimaradás előtt meghatározott beállításokkal folytatja a működést.

## Kicsomagolás

**FIGYELMEZTETÉS:**

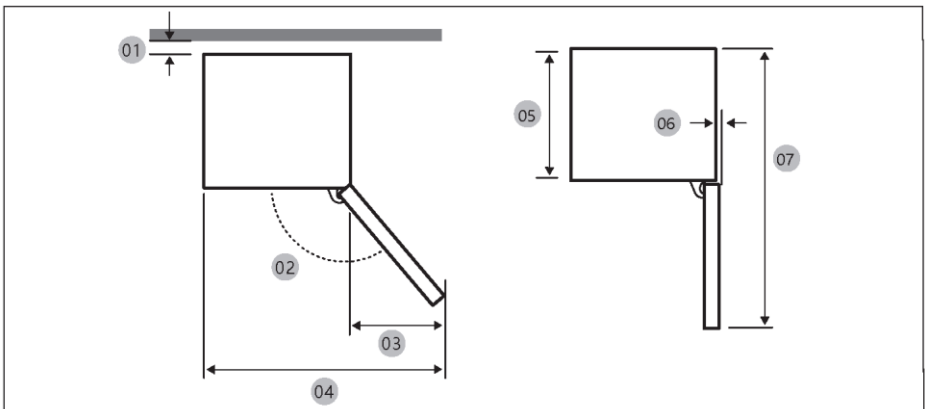
- ▶ A készülék nehéz / A készülék mozgatásához mindig legalább két személy szükséges.
- ▶ Tartson minden csomagolóanyagot gyermekektől elzárva, kiselejtezésüket pedig környezetbarát módon végezze.
- ▶ Vegye ki a készüléket a csomagolásból.
- ▶ Távolítsa el az összes csomagolóanyagot.

**Környezeti körülmények**

A szobahőmérsékletnek mindig 10 °C és 43 °C között kell lennie, mivel befolyásolhatja a készülék belsejének hőmérsékletét és energiafogyasztását. Szigetelés nélkül ne telepítse a készüléket egyéb hőkibocsátó készülékek (sütők, hűtőgépek) közelébe.

**Helyigény**

Szükséges hely nyitott ajtó mellett (szekrény ajtópanel nélkül)

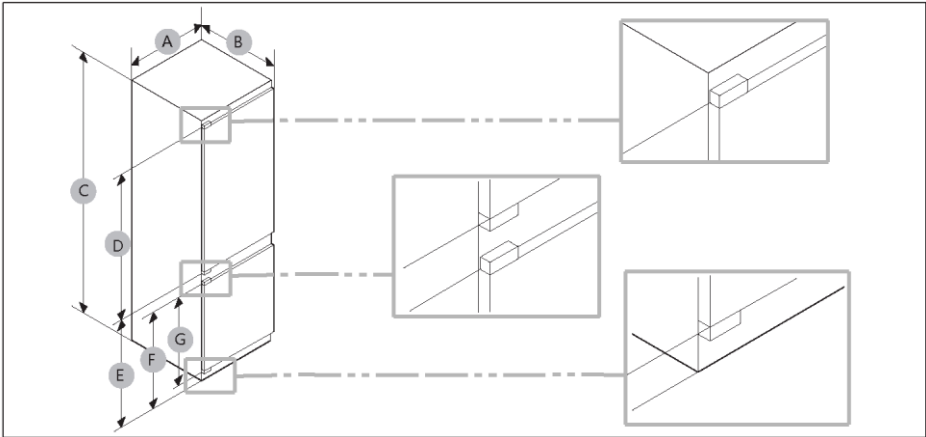


Modell	HBW7518C HBW7518DT
01 *	10 (min.) / 30 (ajánlott)
02	95° (ajánlott)
03	43
04	583
05	515
06	-3
07	1060

(mértékegység: mm)

\* 01: A szekrénytől a termék hátuljáig.

## Termék méretei



Modell	A(mm)	B(mm)	C(mm)	D(mm)	E(mm)	F(mm)	G(mm)
HBW7518C HBW7518DT	540±2	550±2	1772±2	970	745	662	618

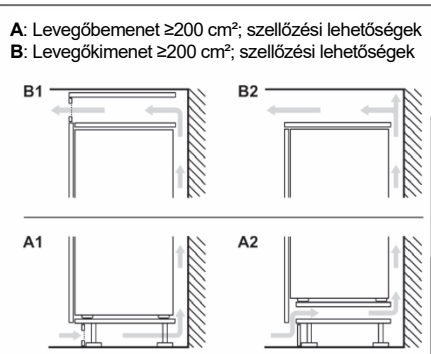
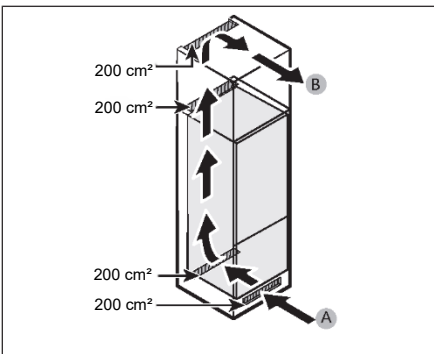


## MEGJEGYZÉS

- A megadott energiafogyasztás a szekrény és a termék hátulja közötti 10 mm-es távolság meglétét feltételezi. A termék akkor is megfelelően működik, ha a távolság nem éri el a 10 mm-t, de ebben az esetben valamivel több energiát fogyaszt.
- Javasoljuk, hogy 18 mm-es vastagsággal rendelkező szekrényt használjon, amelynek zsanérjai 20 mm-nél vékonyabbak.
- A fenti táblázatban szereplő méretek a mérési módszertől függően eltérőek lehetnek.
- A beépített telepítés menetét illetően lásd a Telepítési útmutatót.

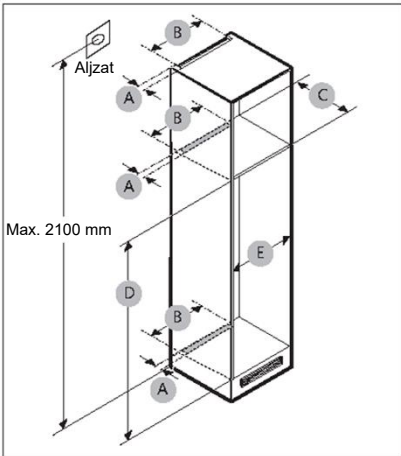
## Szellőzés keresztmetszet

A készülék számára biztonsági okokból szükséges szellőzése érdekében kötelezően vegye figyelembe a szellőzés keresztmetszetére vonatkozó tájékoztatást.





## Szekrény mérete



## VIGYÁZAT!

A jótállás nem terjed ki a termék alábbi okokból bekövetkező meghibásodására.

1. Nem megfelelő helyszíni feltételek vagy helytelen szekrényméretek.
2. Hibás szekrény.
3. A beszerelést végző személy vagy a felhasználó által elkövetett hibák.

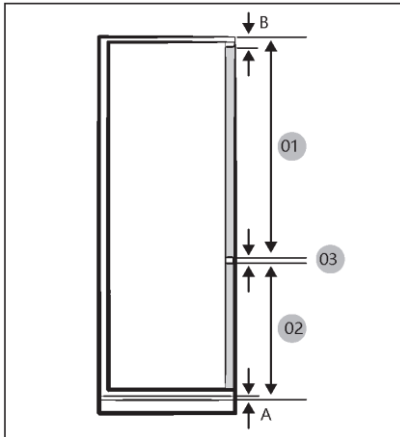
## Megfelelő távolság a berendezés körül

A telepítés helyigénye tekintetében lásd az alábbi ábrákat és táblázatokat.

Modell		A (mm)	B (mm)	C (mm)	D (mm)	E (mm)	Megjegyzés
HBW7518C HBW7518DT	Min.	50	400	560	1778	560	Zsanér: 17 mm
	Ajánlott			580	1780	562	
	Max.			-	1782	568	

## **i** MEGJEGYZÉS

- Ha a szekrény szélessége meghaladja az 568 mm-t, a tömítés (a hűtőszekrény és a szekrény között) megolvadhat.
- Ha a szekrény magassága meghaladja a maximális méretet (1782 mm), akkor más anyagokkal kell kitöltenie a rést.



(mértékegység: mm)

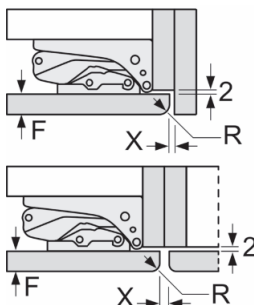
Modell	HBW7518C HBW7518DT
01	Min. 1028+B Max. 1106+B
02	Min. 662+A Max. 740+A
03	4 mm (hűtő- és fagyasztó szekrényajtó panel rése)

## **i** MEGJEGYZÉS

A 4 mm-es hézagot (03) igénylő szekrény beszereléséhez lásd az alábbi szekrény referenciátáblázatot.

- A. Az előlap alsó széle a szellőzési légrés felett
- B. Előlap túlnyúlása

Ajánlott hézagméretek lapos zsanérokhoz (rögzített vagy soft close zsanéros típusúhoz).

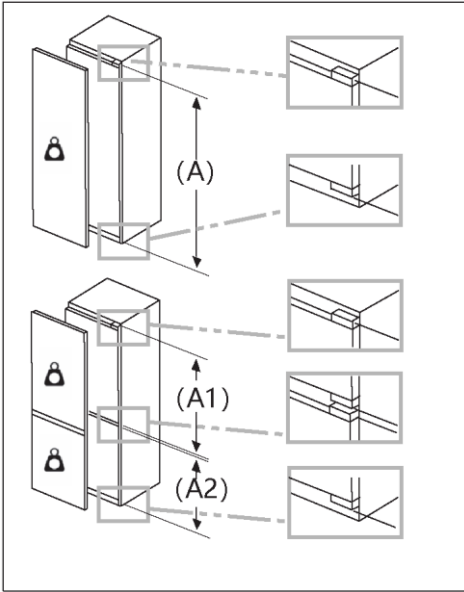


(mértékegység: mm)


F	R	X
16-19	0-3	2,5
20	0-1	3
	2-3	2,5
21	0-1	3
	2-3	2,5
22	0	4
	1	3,5
	2-3	3

A táblázatban ajánlott távolságok betartása fontos annak biztosítása érdekében, hogy a készülék ajtajai nyitáskor ne ütközzenek semmivel, valamint így elkerülhető a konyhai egységek károsodása is.

## Az egység előlapjainak maximális megengedett tömege

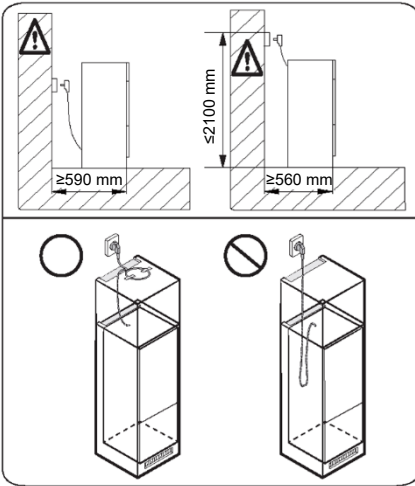


A megengedett tömeget meghaladó egység előlapok károsíthatják a zsanérokat, és funkcionális rendellenességet okozhatnak.

 **Tömeg**  
(kg)

1500-1750 mm	22
720-1400 mm	19
A1	15
A2	15

## Az aljzat helyét és a szükséges távolságot illető követelmények

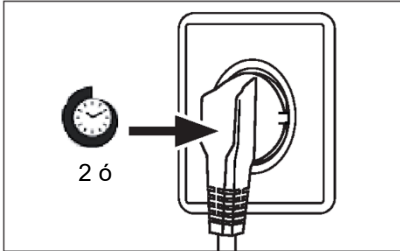


## MEGJEGYZÉS

Ha a hűtőszekrényt 560 mm mély szekrénybe szereli, győződjön meg róla, hogy a tápkábel a hűtőszekrény oldalán van elhelyezve, mielőtt a terméket csatlakoztatná a hálózati aljzathoz.

Ha a tápkábel a hűtőszekrény hátuljánál található, az csökkentheti az energiahatékonyságot.

## Várakozási idő



Karbantartásmentes kenőolaj található a kompresszorban kialakított gyűjtőedényben. Ferde szállítás esetén ez az olaj a zárt csőrendszerbe juthat. Mielőtt tápellátáshoz csatlakoztatná a készüléket, mindenképpen várjon legalább 2 órát, hogy az olaj visszajusson a gyűjtőedénybe.

## Elektromos csatlakoztatás

Minden egyes csatlakoztatás előtt ellenőrizze az alábbiakat:

- ▶ tápellátás, aljzat és biztosíték megfelelősége az adattáblán szereplő adatoknak;
- ▶ a tápaljzat földeléssel rendelkezik, és nem használ többcsatlakozós hosszabbítót a tápellátáshoz;
- ▶ a tápdugasz és az aljzat teljes mértékben illeszkedik egymáshoz.

Csatlakoztassa a csatlakozódugót egy megfelelően beépített háztartási aljzathoz.

**FIGYELMEZTETÉS:**

A kockázatok elkerülése érdekében a sérült tápkábelt kötelezően ki kell cserélni, ezt pedig csak az ügyfélszolgálat munkatársa végezheti el (lásd a jótállási jegyet).

Az (EU) 2019/2016 előírásnak megfelelő termékadatlap

Márka	Haier	Haier
Modellnév/azonosító	HBW7518C	HBW7518DT
Modellkategória	Hűtő-fagyasztó	Hűtő-fagyasztó
Energiahatékonysági osztály	C	D
Éves energiafogyasztás (kWh/év)(1)	146	180
Össztérfogat (l)	268	268
Hűtőszekrény térfogata (l)	182	182
Fagyasztó térfogata (l)	86	86
Hűtőrekesz térfogata (l)	/	/
Automatikus jégkészítő térfogata (l)	/	/
Csillaggal történő megjelölés	4	4
Egyéb rekeszek hőmérséklete > 14 °C	Nem vonatkozik	Nem vonatkozik
Fagymentes rendszer	Igen	Igen
Fagyasztási kapacitás (kg/24 ó)	8	8
Éghajlati besorolás(2)	SN/N/ST/T	SN/N/ST/T
Zajkibocsátási osztály és levegőben terjedő akusztikus zajkibocsátás (db(A)re1pW)	B 32	B 32
Hőmérséklet-emelkedési idő (ó)	12	11
Jégkészítési kapacitás	/	/
A berendezés típusa	beépített	beépített

Modellnév	Energiahatékonysági osztály
HBW7518C	C
HBW7518DT	D

Magyarázatok:

• Igen, támogatott

- (1) 24 órás szabványos megfelelőségi vizsgálat eredményei alapján. A tényleges fogyasztás függ a készülék használatától és helyétől.
- (2) SN éghajlati besorolás: A készüléket +10 °C és +32 °C közötti környezeti hőmérsékleten való használatra tervezték  
N éghajlati besorolás: A készüléket +16 °C és +32 °C közötti környezeti hőmérsékleten való használatra tervezték  
ST éghajlati besorolás: A készüléket +16 °C és +38 °C közötti környezeti hőmérsékleten való használatra tervezték  
T éghajlati besorolás: A készüléket +16 °C és +43 °C közötti környezeti hőmérsékleten való használatra tervezték

#### Kiegészítő műszaki adatok

Feszültség / Frekvencia	220-240V ~/ 50Hz
Bemeneti áramerősség (A)	2
Fő biztosíték (A)	16
Hűtőfolyadék	R600a
Méretetek (Ma/Sz/Mé mm-ben)	1772/540/550

Figyelmébe ajánljuk a Haier ügyfélszolgálat és az eredeti pótalkatrészek igénybe vételét. Ha probléma merül fel a készülékkel, először tekintse át a HIBAELHÁRÍTÁS részt.

Ha ebben nem talál megoldást, lépjen kapcsolatba

- ▶ a helyi márkakereskedővel vagy
- ▶ európai telefonos ügyfélszolgálati központunkkal (lásd alább a felsorolt telefonszámokat) vagy
- ▶ a [www.haier.com](http://www.haier.com) oldalon található Szerviz és támogatás (Service & Support) területen, ahol aktiválhatja a szervizelési
- ▶ igényt, illetve megtalálhatja a GYIK oldalt.

A szerviz szolgáltatásunkkal való kapcsolatfelvétel előtt bizonyosodjon meg arról, hogy elérhetőek az alábbi adatok.

Az információ az adattáblán található.

Modell \_\_\_\_\_

Sorozatszám \_\_\_\_\_

Jótállási igény felmerülése esetén ellenőrizze a termékhez mellékelt jótállási kártyát is.

Európai telefonos ügyfélszolgálati központ		
Ország*	Telefonszám	Költségek
Haier Italy (IT)	199 100 912	
Haier Spain (ES)	902 509 123	
Haier Germany (DE)	0180 5 39 39 99	<ul style="list-style-type: none"> <li>• 14 cent/perc vezetékes</li> <li>• max. 42 cent/perc mobil</li> </ul>
Haier Austria (AT)	0820 001 205	<ul style="list-style-type: none"> <li>• 14,53 cent/perc vezetékes</li> <li>• max. 20 cent/perc összes egyéb</li> </ul>
Haier United Kingdom (UK)	0333 003 8122	
Haier France (FR)	0980 406 409	

\* További országokért látogasson el a [www.haier.com](http://www.haier.com) oldalra

Haier Europe Trading S.r.l

Branch UK

Westgate House, Westgate, Ealing

London, W5 1YY

\*A hűtőszekrény jótállásának időtartama:

Minimális jótállás: 2 év az uniós tagállamokban, 3 év Törökországban, 1 év az Egyesült Királyságban, 1 év Oroszországban, 3 év Svédországban, 2 év Szerbiában, 5 év Norvégiában, 1 év Marokkóban, 6 hónap Algériában, Tunézia nincs kötelező jogi jótállás.

\*A készülék javításához szükséges pótalkatrészek rendelkezésre állásának időtartama:

Termosztátok, hőmérséklet érzékelők, nyomtatott áramköri lapok és fényforrások legalább hét évig elérhetők a piacra bocsátott utolsó modelltől számítva.

Ajtófogantyúk, ajtópántok, tálcák és kosarak legalább hét évig, míg ajtótomítések legalább 10 évig elérhetők a piacra bocsátott utolsó modelltől számítva.

\*A termékre vonatkozó további tájékoztatás ügyében tekintse meg az <https://eprel.ec.europa.eu/> oldalt, vagy olvassa be a készüléken elhelyezett, energiafogyasztást jelölő címkén található QR-kódot.



The Haier logo is displayed in a bold, black, sans-serif font. The background of the page features abstract geometric shapes in shades of gray and white, including a large dark gray shape on the left and a large light gray shape on the right, both with rounded corners and pointed ends.

专用号条码

0060536192  
2024 Version A

# Haier

## Manuale dell'utente

Frigorifero-Congelatore  
HBW7518C  
HBW7518DT

EN

CZ

DE

EL

ES

FR

HU

IT

NL

PL

PT

RO

IT



**WARNING: Risk of fire/flammable material** **EN**  
The symbol indicates there is a risk of fire since flammable materials are used. Take care to avoid causing a fire by ingiting flammable material.

**VAROVÁNÍ: Nebezpečí Požáru/Hořlavého Materiálu** **CZ**

Symbol označuje riziko požáru, protože byly použity hořlavé materiály. Dbejte na to, aby nedošlo ke vzniku požáru zapálením hořlavého materiálu.

**WARNUNG: Brandgefahr/brennbares Material** **DE**

Das Symbol weist auf Brandgefahr hin, da brennbare Materialien verwendet werden. Verhindern Sie die Entstehung von Bränden, die durch entflammbare Materialien verursacht werden.

**ΠΡΟΣΟΧΗ: Κίνδυνος: φωτιάς/εύφλεκτο υλικό** **EL**

Το σύμβολο υποδεικνύει ότι υπάρχει κίνδυνος φωτιάς επειδή χρησιμοποιούνται εύφλεκτα υλικά. Προσέχετε να αποφεύγετε την πρόκληση φωτιάς από ανάφλεξη εύφλεκτου υλικού.

**ADVERTENCIA: Riesgo de incendio o material inflamable** **ES**

El símbolo indica que existe riesgo de incendio, dado que se utilizan materiales inflamables. Se debe procurar evitar incendios medí ante la combustión de materiales inflamables.

**ATTENTION: Risque d'incendie ou de mati ères inflammables** **FR**

Le symbole montre qu'il y'a le risque de maté riaux inflammables sont utilisés. Prendre soin d'éviter de provoquer un incendie en ingérant des matières inflammables.

**FIGYELEM: Tűz / gyúlékony anyag veszélye** **HU**

A szimbólum azt jelzi, hogy tűzveszély áll fenn, mivel gyúlékony anyagokat használnak. Ügyeljen arra, hogy ne tegyen rá tűzveszélyes gyú lékony anyagot.

**ATTENZIONE: Rischio di incendio/materiale infiammabile** **IT**

Il simbolo indica il rischio di incendio nel caso di utilizzo di materiali infiammabili. Fare attenzione ed evitare l'insorgere di incendi a causa della caombustione di materiali infiammabili.

**WAARSCHUWING: Brandrisico / brandbaar materiaal** **NL**

Het systeem geeft aan dat er een brandrisico bestaat aangezien brandbaar materiaal wordt gebruikt. Zorg ervoor dat er geen brand wordt veroorzaakt door brandbaar materiaal te ont steken.

**OSTRZEŽENIE: Ryzyko pożaru/materiał łatwopalny** **PL**

Symbol wskazuje, że istnieje ryzyko pożaru, ponieważ używane są materiały łatwopalne. Dbaj o to, aby uniknąć pożaru poprzez zapale nie łatwopalnego materiału.

**AVISO: Risco de incêndio e material inflamável** **PT**

O símbolo indica que existe um risco de incêndio, uma vez que são utilizados materiais inflamáveis. Tenha cuidado para evitar provocar um incêndio acendendo material inflamável.

**AVERTISMENT: Risc de incendiu/material inflamabil** **RO**

Simbolul indică că există risc de incendiu deoarece sunt folosite materiale inflamabile. Aveți grijă și evitați incendiile aprinzând mate riale inflamabile.

<u>5 Informazioni per la sicurezza</u>	•	<u>Operazioni preliminari al primo utilizzo</u>	6
		<u>Installazione</u>	6
		<u>Utilizzo quotidiano</u>	7
<u>10 Uso previsto</u>	•	<u>Informazioni sul gas refrigerante</u>	9
<u>11 Descrizione del prodotto</u>	•		
<u>12 Pannello di controllo</u>	•		
<u>13 Utilizzo</u>	•	<u>Blocco e sblocco del pannello</u>	13
		<u>Regolazione della temperatura del frigorifero</u>	13
		<u>Regolazione della temperatura del congelatore</u>	13
		<u>Funzione di interconnessione</u>	14
		<u>Funzione ECO</u>	15
		<u>Funzione Holiday</u>	15
		<u>Funzione Super Cool</u>	15
		<u>Funzione Super Freeze</u>	16
		<u>Selezione della funzione My Zone</u>	17
<u>19 Dotazioni</u>	•		
<u>20 Suggerimenti per il risparmio energetico</u>	•		
<u>21 Cura e pulizia</u>	•		
<u>23 Risoluzione dei problemi</u>	•		
<u>27 Installazione</u>	•		
<u>33 Dati tecnici</u>	•		
<u>35 Assistenza clienti</u>	•		

## Grazie per aver acquistato un prodotto Haier.

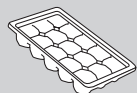
Leggere attentamente queste istruzioni prima di utilizzare l'elettrodomestico. Le istruzioni contengono informazioni importanti per ottimizzare l'uso dell'elettrodomestico e garantire l'installazione, l'uso e la manutenzione sicuri e corretti.

Conservare il presente manuale in un luogo comodo, in modo da poterlo sempre consultare per un uso sicuro e corretto dell'elettrodomestico.

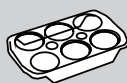
Se l'elettrodomestico viene venduto, ceduto o abbandonato in caso di trasloco, trasferire anche il presente manuale in modo che il nuovo proprietario possa comprendere l'uso dell'elettrodomestico e delle avvertenze di sicurezza.

## Accessori

Controllare gli accessori e la documentazione in base al seguente elenco:



Vassoio per cubetti di ghiaccio



Vassoio per uova



Etichetta energetica



Carta di garanzia



Manuale utente



x4

Vite



x2

Copertura



x2

Blocco di spugna



x4

Guida scorrevole

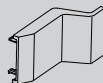


x4

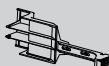
Montaggio scorrevole



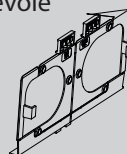
Piastra fissa



Coperchio della cerniera fissa



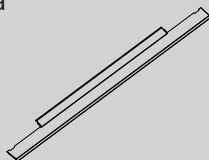
Piastra fissa II



Piastra fissa inferiore



Piastra fissa superiore



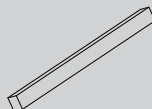
Copertura inferiore



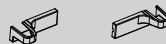
Copertura laterale inferiore



Nastro di tenuta



Spugna di tenuta



Coperchio della cerniera inferiore

**AVVERTENZA – Informazioni importanti per la sicurezza****AVVISO – Informazioni generali e consigli****Informazioni ambientali****Smaltimento**

Contribuire a proteggere l'ambiente e la salute umana. Collocare l'imballo in appositi contenitori affinché venga riciclato. Contribuire al riciclo dei rifiuti delle apparecchiature elettriche ed elettroniche. Non smaltire gli elettrodomestici contrassegnati con questo simbolo assieme ai rifiuti domestici. Conferire il prodotto presso la struttura di riciclo locale o rivolgersi all'ufficio comunale preposto.

**AVVERTENZA!**

Pericolo di lesioni o soffocamento!

I refrigeranti e i gas devono essere smaltiti in maniera professionale. Accertarsi che la tubazione del circuito del refrigerante non sia danneggiata prima di smaltirla correttamente. Scollegare l'elettrodomestico dalla rete elettrica. Tagliare il cavo di alimentazione e smaltirlo. Rimuovere vassoi e cassette, fermaporte e guarnizioni, per evitare che bambini e animali domestici rimangano chiusi nell'elettrodomestico.

## Prima di accendere l'elettrodomestico per la prima volta, leggere i seguenti consigli sulla sicurezza:



### AVVERTENZA!

#### Operazioni preliminari al primo utilizzo

- ▶ Accertarsi dell'assenza di danni dovuti al trasporto.
- ▶ Per garantire la totale efficienza del circuito del refrigerante, attendere almeno due ore prima di installare l'elettrodomestico.
- ▶ L'elettrodomestico deve essere maneggiato sempre da almeno due persone perché è pesante.
- ▶ Rimuovere tutti i materiali di imballo, tenerli fuori dalla portata dei bambini e smaltirli nel rispetto dell'ambiente.
- ▶ Pulire l'interno e l'esterno dell'elettrodomestico con acqua e un detersivo delicato prima di inserire gli alimenti.
- ▶ Dopo l'installazione a livello e la pulizia dell'elettrodomestico, attendere almeno 2-5 ore prima di collegarlo all'alimentazione elettrica. Vedere la sezione **INSTALLAZIONE**.
- ▶ Prima di caricare gli alimenti, preraffreddare i compartimenti con impostazioni elevate. La funzione Power-Freeze serve a raffreddare rapidamente i compartimenti.
- ▶ La temperatura del frigorifero e del congelatore viene impostata automaticamente a 5°C e -18°C rispettivamente. Queste impostazioni sono quelle consigliate. È possibile, tuttavia, cambiare manualmente queste temperature. Vedere **REGOLAZIONE DELLA TEMPERATURA**.

#### Installazione

- ▶ Installare l'elettrodomestico in un luogo asciutto e ben ventilato. Lasciare uno spazio libero di almeno 10 cm sopra e attorno all'elettrodomestico.
- ▶ Non collocare mai l'elettrodomestico in zone umide o soggette a schizzi d'acqua. Pulire e asciugare schizzi e macchie d'acqua con un panno morbido e pulito.
- ▶ Non installare l'elettrodomestico esposto alla luce diretta del sole o in prossimità di fonti di calore (ad es. stufe o radiatori).
- ▶ Installare l'elettrodomestico a livello in un'area adatta alle dimensioni e all'uso.
- ▶ Le aperture di ventilazione nell'elettrodomestico o nella struttura a incasso devono rimanere sempre libere.
- ▶ Accertarsi che i dati elettrici sulla targhetta siano conformi all'alimentazione elettrica. In caso contrario, rivolgersi a un elettricista.
- ▶ L'elettrodomestico funziona con corrente elettrica 220-240 Vca / 50 Hz. Oscillazioni anomale della tensione possono causare il mancato avvio dell'elettrodomestico, danni al controllo della temperatura o al compressore oppure rumori anomali durante il funzionamento. In tal caso, è opportuno montare un regolatore automatico.
- ▶ Non adoperare prese multiple o cavi di prolunga.
- ▶ Non collocare prese multiple o alimentatori portatili nella parte posteriore dell'elettrodomestico.
- ▶ Accertarsi che il cavo di alimentazione non sia intrappolato dal frigorifero. Non calpestare il cavo di alimentazione.



## AVVERTENZA!

- ▶ Per l'alimentazione elettrica utilizzare una presa separata collegata a terra e facilmente accessibile. L'elettrodomestico deve essere collegato a terra.  
Solo per il Regno Unito: il cavo di alimentazione dell'elettrodomestico è dotato di una spina a 3 conduttori (collegata a terra) adatta a una presa standard a 3 conduttori (collegata a terra). Non tagliare né smontare mai il terzo conduttore (collegamento a terra). Dopo l'installazione dell'elettrodomestico, la spina deve essere accessibile.
- ▶ Non danneggiare il circuito di refrigerazione.

### Utilizzo quotidiano

- ▶ Questo elettrodomestico può essere utilizzato da bambini di almeno 8 anni, da persone con ridotte capacità fisiche, sensoriali o mentali e da persone inesperte solo sotto stretta sorveglianza o se hanno appreso le modalità di utilizzo sicuro dell'elettrodomestico e sono consapevoli dei relativi pericoli.
- ▶ I bambini di età da 3 a 8 anni possono introdurre e prelevare alimenti dall'elettrodomestico, ma non devono pulirlo o installarlo.
- ▶ Tenere lontano dall'elettrodomestico i bambini di età inferiore a 3 anni, a meno che non siano costantemente sorvegliati.
- ▶ Impedire ai bambini di giocare con l'elettrodomestico.
- ▶ In caso di perdite di gas refrigerante o altri gas infiammabili in prossimità dell'elettrodomestico, chiudere la valvola del gas che fuoriesce, aprire porte e finestre e non staccare la spina del cavo di alimentazione del frigorifero o di altri elettrodomestici.
- ▶ Si noti che l'elettrodomestico è impostato per il funzionamento in un intervallo di temperatura ambiente specifico compreso tra 10 e 43°C. L'elettrodomestico potrebbe non funzionare correttamente se lasciato per un lungo periodo a una temperatura superiore o inferiore all'intervallo indicato.
- ▶ Non collocare elementi instabili (oggetti pesanti, contenitori pieni d'acqua) sopra il frigorifero, per evitare lesioni personali dovute a cadute o scosse elettriche causate dal contatto con l'acqua.
- ▶ Non caricare eccessivamente i balconcini dello sportello. Lo sportello potrebbe deformarsi, il portabottiglie potrebbe fuoriuscire o l'elettrodomestico potrebbe rovesciarsi.
- ▶ Aprire e chiudere gli sportelli solo adoperando le maniglie. La distanza tra gli sportelli e tra gli sportelli e il comparto è molto limitata. Non allungare le mani in queste zone per evitare di schiacciarsi le dita. Aprire o chiudere gli sportelli del frigorifero solo quando non ci sono bambini nel raggio di movimento degli sportelli.





## AVVERTENZA!

- ▶ Non conservare né utilizzare materiali esplosivi o corrosivi nell'elettrodomestico o nelle vicinanze.
- ▶ Non conservare medicinali, batteri o sostanze chimiche nell'elettrodomestico. Questo apparecchio è un elettrodomestico. Si sconsiglia di conservare materiali che richiedono temperature rigide.
- ▶ Non riporre liquidi in bottiglie o lattine (né alcolici ad elevata gradazione), specialmente bevande gassate, nel congelatore, perché durante il congelamento potrebbero scoppiare.
- ▶ Se la temperatura del congelatore è aumentata, controllare lo stato degli alimenti.
- ▶ Non impostare una temperatura inutilmente bassa nel vano frigorifero. Con impostazioni elevate possono crearsi temperature sotto zero. Attenzione: le bottiglie possono scoppiare
- ▶ Non toccare i prodotti congelati con le mani bagnate (indossare i guanti). In particolare, non mangiare i ghiaccioli subito dopo averli tolti dal vano congelatore. In caso contrario, potrebbe congelarsi la bocca e potrebbero formarsi vesciche da gelo. **PRONTO SOCCORSO:** collocare immediatamente la zona congelata sotto l'acqua fredda corrente. Non tirare via la zona congelata!
- ▶ Non toccare la superficie interna del comparto congelatore durante il funzionamento, soprattutto con le mani bagnate, poiché le mani potrebbero congelarsi sulla superficie.
- ▶ In caso di blackout o prima della pulizia, scollegare l'elettrodomestico. Attendere almeno 7 minuti prima di riavviare l'elettrodomestico, poiché un avvio frequente può danneggiare il compressore.
- ▶ Non adoperare dispositivi elettrici all'interno dei comparti dell'elettrodomestico destinati alla conservazione degli alimenti, a meno che non siano del tipo consigliato dal produttore. Manutenzione / pulizia
- ▶ Accertarsi che i bambini siano sorvegliati se effettuano la pulizia e la manutenzione.
- ▶ Scollegare l'elettrodomestico dalla rete elettrica prima di effettuare operazioni di manutenzione ordinaria. Attendere almeno 5 minuti prima di riavviare l'elettrodomestico, poiché un avvio frequente può danneggiare il compressore.



## AVVERTENZA!

- ▶ Scollegare l'elettrodomestico tenendo la spina e non il cavo.
- ▶ Non pulire l'elettrodomestico con spazzole rigide, spazzole metalliche, detersivi in polvere, benzina, acetato di pentile, acetone e soluzioni organiche simili, soluzioni acide o alcaline. Per la pulizia adoperare un detergente speciale per frigoriferi per evitare danni.
- ▶ Non raschiare via ghiaccio e brina con oggetti appuntiti. Non adoperare spray, riscaldatori elettrici (ad es. asciugacapelli) o altre fonti di calore per evitare danni ai componenti in plastica.
- ▶ Non usare oggetti meccanici o utensili diversi da quelli consigliati dal produttore per accelerare lo sbrinamento.
- ▶ Se il cavo di alimentazione è danneggiato, deve essere sostituito dal produttore, da un tecnico dell'assistenza o da una persona con analogha qualifica per evitare rischi.
- ▶ Non cercare di riparare, smontare o modificare personalmente l'elettrodomestico. Per le riparazioni rivolgersi all'assistenza clienti.
- ▶ Eliminare la polvere sul retro dell'unità almeno una volta all'anno per scongiurare il rischio di incendio e limitare i consumi energetici.
- ▶ Non spruzzare o schizzare liquidi sull'elettrodomestico durante la pulizia.
- ▶ Per pulire questo elettrodomestico non utilizzare apparecchi a vapore.
- ▶ Non pulire i ripiani di vetro freddi con acqua calda. Un'improvvisa variazione della temperatura può causare la rottura del vetro.

## Informazioni sul gas refrigerante



### AVVERTENZA!

L'elettrodomestico contiene il refrigerante infiammabile ISOBUTANO (R600a). Accertarsi che il circuito del refrigerante non abbia subito danni durante il trasporto o l'installazione. Eventuali perdite di refrigerante possono causare lesioni oculari o incendi. In caso di danni, tenere lontane fonti di fiamme libere, ventilare perfettamente l'ambiente e non collegare o scollegare i cavi di alimentazione dell'elettrodomestico o di altri elettrodomestici. Informare l'assistenza clienti.

In caso di contatto con gli occhi, sciacquare immediatamente con acqua corrente e rivolgersi tempestivamente a un oculista.

## Usò previsto

Questo elettrodomestico è destinato al raffreddamento e al congelamento di alimenti. È stato progettato esclusivamente per l'uso in applicazioni domestiche e simili, ad es. zone cucina del personale in negozi, uffici e altri ambienti di lavoro; in fattorie, da clienti in hotel, motel e altri ambienti di tipo residenziale, nonché in bed-and-breakfast e attività di ristorazione. Non è destinato ad usi commerciali o industriali.

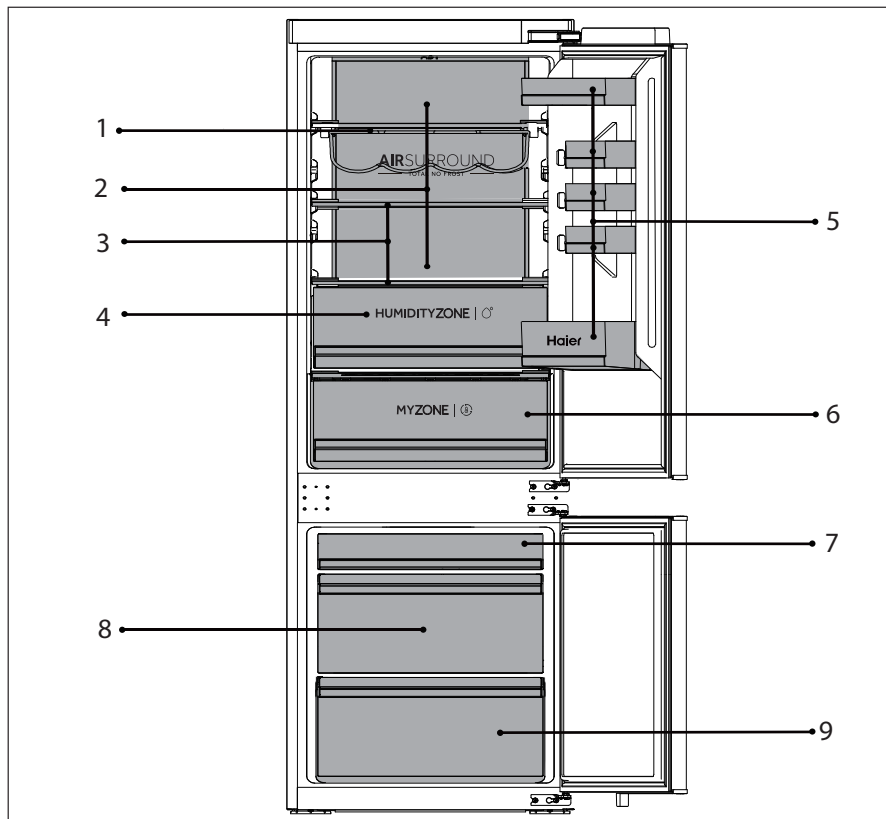
Non sono consentiti cambiamenti o modifiche all'elettrodomestico. Utilizzi errati possono causare pericoli e annullare la garanzia.

## Norme e direttive

Questo prodotto è conforme ai requisiti di tutte le direttive CE vigenti con le corrispondenti norme armonizzate che prevedono il marchio CE.

**i** **AVVISO**

A causa di modifiche tecniche e della varietà dei modelli, alcune illustrazioni riportate nel presente manuale possono essere diverse dall'aspetto reale del modello acquistato.



**HBW7518C/HBW7518DT**

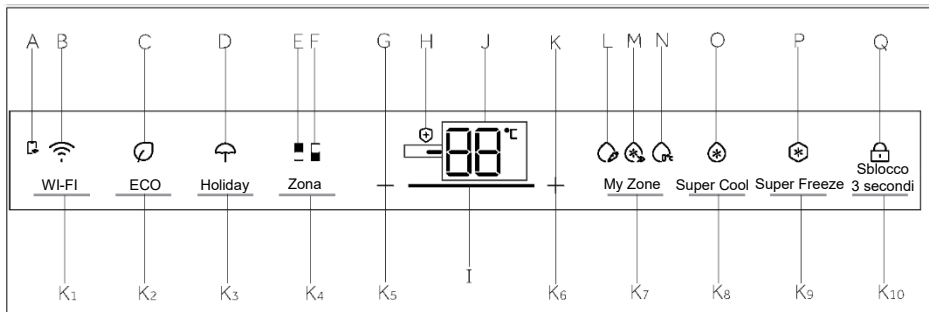
**A: Vano frigorifero**

- 1 Portavini
- 2 Condotto dell'aria di refrigerazione
- 3 Ripiani ordinari
- 4 Cassetto Humidity Zone
- 5 Portabottiglie
- 6 Cassetto MyZone

**B: Vano congelatore**

- 7 Cassetto superiore del congelatore
- 8 Cassetto centrale del congelatore
- 9 Cassetto inferiore del congelatore

## Pannello di controllo



### Indicatori:

- A Connessione all'APP mobile
- B Funzione Wi-Fi
- C Funzione ECO
- D Funzione Holiday
- E Indicatore frigorifero
- F Indicatore congelatore
- G Regolazione della temperatura "-"
- H Funzione battericida
- I Indicatore di potenza
- J Display della temperatura
- K Regolazione della temperatura "+"
- L Funzione Fruit&Veg
- M Funzione QuickCool
- N Funzione 0°C Fresh
- O Funzione Super Cool
- P Funzione Super Freeze
- Q Blocco e sblocco

### Tasti:

- K<sub>1</sub> Tasto di impostazione Wi-Fi
- K<sub>2</sub> Tasto funzione ECO
- K<sub>3</sub> Tasto funzione Holiday
- K<sub>4</sub> Tasto di selezione della zona
- K<sub>5</sub> Tasto di regolazione della temperatura "-"
- K<sub>6</sub> Tasto di regolazione della temperatura "+"
- K<sub>7</sub> Tasto di selezione della funzione My Zone
- K<sub>8</sub> Tasto di selezione Super Cool
- K<sub>9</sub> Tasto di selezione Super Freeze
- K<sub>10</sub> Tasto di blocco e sblocco

## Tasti a sensore

I tasti del pannello di controllo sono di tipo a sensore che rispondono toccandoli lievemente con un dito.

## Accensione e spegnimento dell'elettrodomestico

L'elettrodomestico entra in funzione non appena viene collegato all'alimentazione elettrica.

Alla prima accensione del frigorifero, si accende l'indicatore "J" (display della temperatura). La temperatura del frigorifero e del congelatore viene impostata automaticamente a 5°C e -18°C rispettivamente. L'indicatore "M" (display QuickCool) si illumina.

Le modalità My Zone sono impostate automaticamente sulla funzione QuickCool.

È possibile che sia attivo il blocco del pannello.



## AVVISO

Quando l'elettrodomestico viene acceso dopo averlo staccato dall'alimentazione elettrica, il raggiungimento delle temperature corrette potrebbe richiedere fino a 12 ore.

Svuotare l'elettrodomestico prima di spegnerlo. Per spegnere l'elettrodomestico, staccare il cavo di alimentazione dalla presa di corrente.

### Blocco e sblocco del pannello

**Blocco automatico:** quando lo sportello del frigorifero e lo sportello del congelatore sono chiusi e non viene eseguita alcuna operazione con i tasti entro 30 secondi, il display si spegne e si blocca automaticamente.

**Blocco manuale:** quando lo schermo del display è sbloccato, premere il tasto "K<sub>10</sub>" (Sblocco 3 secondi) e tenerlo premuto per 3 secondi, viene emesso un segnale acustico, l'indicatore "Q" (Blocco pannello) si accende e il display si blocca.

**Sblocco:** quando lo schermo del display è bloccato, premere il pulsante "K<sub>10</sub>" (Sblocco 3 secondi) e tenerlo premuto per 3 secondi, viene emesso un segnale acustico, l'indicatore "Q" (Blocco pannello) si spegne e il display si sblocca.

### Regolazione della temperatura

Le temperature interne dipendono dai seguenti fattori:

temperatura ambiente, frequenza di apertura dello sportello, quantità di alimenti conservati, installazione dell'elettrodomestico.

### Regolazione della temperatura del frigorifero

Quando lo schermo del display è sbloccato, premere il tasto "K<sub>4</sub>" (selettore zona). Viene emesso un segnale acustico, l'indicatore "E" (indicatore frigorifero) si illumina, quindi si arriva alla modalità di impostazione della temperatura del frigorifero.

Premere ogni volta il tasto "K<sub>5</sub>" (tasto di regolazione della temperatura "-"), viene emesso un segnale acustico, la temperatura impostata del frigorifero si riduce di 1. La temperatura del frigorifero verrà visualizzata nella sequenza "9°C -> 8°C -> 7°C -> 6°C -> 5°C -> 4°C -> 3°C -> 2°C -> 1°C".

Premere ogni volta il tasto "K<sub>6</sub>" (tasto di regolazione della temperatura "+"), viene emesso un segnale acustico, la temperatura impostata del frigorifero aumenta di 1. La temperatura del frigorifero verrà visualizzata nella sequenza "1°C -> 2°C -> 3°C -> 4°C -> 5°C -> 6°C -> 7°C -> 8°C -> 9°C".



## AVVISO

Dopo aver impostato la temperatura, se non viene eseguita alcuna operazione entro 5 secondi, il sistema viene determinato automaticamente e salva la temperatura impostata.

## Regolazione della temperatura del congelatore

Quando lo schermo del display è sbloccato, premere il tasto "K<sub>4</sub>" (selettore zona). Il segnalatore acustico suona una volta, l'indicatore "F" (indicatore congelatore) lampeggia, quindi si arriva alla modalità di impostazione della temperatura del congelatore.

Premere ogni volta il tasto "K<sub>5</sub>" (tasto di regolazione della temperatura "-"), viene emesso un segnale acustico, la temperatura impostata del congelatore si riduce di 1. La temperatura del congelatore verrà visualizzata nella sequenza "-14°C -> -15°C -> -16°C -> -17°C -> -18°C -> -19°C -> -20°C -> -21°C -> -22°C -> -23°C -> -24°C". Premere ogni volta il tasto "K<sub>6</sub>" (tasto di regolazione della temperatura "+"), viene emesso un segnale acustico, la temperatura impostata del congelatore aumenta di 1. La temperatura del congelatore verrà visualizzata nella sequenza "-24°C -> -23°C -> -22°C -> -21°C -> -20°C -> -19°C -> -18°C -> -17°C -> -16°C -> -15°C -> -14°C".



### AVVISO

Dopo aver impostato la temperatura, se non viene eseguita alcuna operazione entro 5 secondi, il sistema viene determinato automaticamente e salva la temperatura impostata.

## Funzione Wi-Fi

1. Quando lo schermo del display è sbloccato, premere il tasto "K<sub>1</sub>" (tasto funzione Wi-Fi); viene emesso un segnale acustico e l'indicatore "B" (funzione Wi-Fi) lampeggia fino a che non riesce a collegarsi. Una volta stabilita, mantenere la connessione per un lungo periodo; in questo modo si attiverà la funzione Wi-Fi.
2. Quando lo schermo del display è sbloccato, premere il tasto "K<sub>1</sub>" (tasto funzione Wi-Fi); viene emesso un segnale acustico, l'indicatore "B" (funzione di interconnessione) si spegne, e la funzione Wi-Fi viene disattivata.

## PROCEDURA DI ACCOPPIAMENTO DELL'APP

<p>Fase 1 • Scaricare l'applicazione hOn.</p>    	
<p>Passo 2 Creare un account nell'app hOn o accedere se esiste già un account.</p> 	<p>Passo 3 Seguire le istruzioni per l'accoppiamento nell'app hOn.</p> 

## Funzione ECO

1. Quando lo schermo del display è sbloccato, premere il tasto "K<sub>2</sub>" (tasto funzione ECO); viene emesso un segnale acustico, l'indicatore "C" (funzione ECO) si illumina e la funzione ECO viene attivata.
2. Quando lo schermo del display è sbloccato, premere il tasto "K<sub>2</sub>" (tasto funzione ECO); viene emesso un segnale acustico, l'indicatore "C" (funzione ECO) si spegne e la funzione ECO viene disattivata.

## Funzione Holiday

1. Quando lo schermo del display è sbloccato, premere il tasto "K<sub>3</sub>" (tasto funzione Holiday); viene emesso un segnale acustico, l'indicatore "D" (funzione Holiday) si accende e la funzione Holiday viene attivata.
2. Quando lo schermo del display è sbloccato, premere il tasto "K<sub>3</sub>" (tasto funzione Holiday), viene emesso un segnale acustico; l'indicatore "D" (funzione Holiday) si spegne, e la funzione Holiday viene disattivata.



## AVVISO

1. La funzione Holiday viene utilizzata principalmente per viaggi di breve durata e altre situazioni di vita quotidiana; pertanto il vano frigorifero deve essere svuotato quando si utilizza questa modalità.
2. Nella funzione Holiday, la temperatura del vano frigorifero sarà più alta (circa 17°C); pertanto prestare attenzione a rimuovere il cibo dal vano frigorifero per evitare il deterioramento degli alimenti.
3. Nella funzione Holiday, l'impostazione delle icone "Fruit&Veg, QuickCool 0°C Fresh" in Myzone è disattivata e non sarà possibile regolare la temperatura di Myzone. Una volta usciti dalla funzione Holiday, il vano frigorifero e My zone visualizzano l'impostazione precedente.

## Funzione Super Cool

1. Quando lo schermo del display è sbloccato, premere il tasto "K8" (selettore Super Cool); viene emesso un segnale acustico, l'indicatore "O" (funzione Super Cool) si accende e la funzione Super Cool viene attivata.
2. Quando l'indicatore "O" (funzione Super Cool) si accende, premere il tasto "K8" (selettore Super Cool); viene emesso un segnale acustico, l'indicatore "O" (funzione Super Cool) si spegne e la funzione Super Cool viene disattivata.
3. Dopo aver attivato la funzione Super Cool, il frigorifero la disattiverà automaticamente quando raggiunge la temperatura impostata. Se si desidera uscire dalla funzione manualmente, premere il tasto "K8" (selettore Super Cool) per disattivarla.



## AVVISO

1. Nello stato Super Cool, la temperatura del frigorifero non può essere regolata. Se si preme il tasto "K5" (tasto di regolazione della temperatura "-") o il tasto "K6" (tasto di regolazione della temperatura "+") per regolare la temperatura del frigorifero, l'indicatore "O" (indicatore Super Cool) lampeggia con un segnale acustico per indicare che questa operazione non può essere eseguita.
2. Nello stato della funzione Super Cool, la funzione Auto-set non può essere attivata contemporaneamente a causa delle diverse modalità di controllo. Quando si sceglie una funzione in conflitto con un'altra funzione, la funzione originale si disattiva automaticamente.
3. Questa funzione viene disattivata automaticamente dopo 4 ore.

## Funzione Super Freeze

1. Quando lo schermo del display è sbloccato, premere il tasto "K9" (selettore Super Freeze); viene emesso un segnale acustico, l'indicatore "P" (funzione Super Freeze) si accende e la funzione Super Freeze viene attivata.
2. Quando l'indicatore "P" (funzione Super Freeze) si accende, premere il tasto "K9" (selettore Super Freeze); viene emesso un segnale acustico, l'indicatore "P" (funzione Super Freeze) si spegne e la funzione Super Freeze viene disattivata.

3. Dopo aver attivato la funzione Super Freeze, il frigorifero la spegnerà automaticamente quando raggiunge la temperatura impostata. Se si desidera uscire dalla funzione manualmente, è possibile premere il pulsante "K<sub>9</sub>" (selettore Super Freeze) per disattivarla.



## AVVISO

1. Nello stato Super Freeze, la temperatura del congelatore non può essere regolata. Se si preme il tasto "K<sub>5</sub>" (tasto di regolazione della temperatura "-") o il tasto "K<sub>6</sub>" (tasto di regolazione della temperatura "+") per regolare la temperatura del frigorifero, l'indicatore "P" (indicatore Super Freeze) lampeggia con un segnale acustico per indicare che questa operazione non può essere eseguita.
2. La funzione Super Freeze è progettata per mantenere il valore nutritivo del cibo congelato perché i tempi di congelamento sono brevissimi e per congelare grandi quantità di cibo congelato in un'unica volta. Nel frattempo, la funzione Super Freeze deve essere impostata con 24 ore di anticipo per far sì che il congelatore raggiunga una temperatura relativamente bassa e mantenga il cibo. In questo momento, la velocità di congelamento del congelatore è migliorata, il cibo può essere congelato rapidamente, il valore nutrizionale del cibo viene mantenuto in modo efficace e la conservazione diventa piuttosto pratica.
3. La funzione Super Freeze si disattiva automaticamente dopo 50 ore. L'elettrodomestico viene quindi utilizzato alla temperatura precedentemente impostata.

## Selezione della funzione My Zone

Quando lo schermo del display è sbloccato, premere il tasto "K<sub>7</sub>" (tasto di selezione della funzione My Zone); viene emesso un segnale acustico, l'indicatore "L" (funzione Fruit&Veg) si illumina e la funzione Fruit&Veg viene attivata. Se si preme uno dei pulsanti "K<sub>7</sub>" per selezionare la funzione My Zone, viene emesso un secondo segnale acustico, l'indicatore "M" (funzione Quick Cool) si illumina e la funzione QuickCool viene attivata. Le opzioni della funzione My Zone sono rispettivamente "Fruit&Veg, QuickCool e 0°C Fresh".



## AVVISO

1. Quando il frigorifero viene acceso per la prima volta, l'indicatore "L" si illumina e la funzione My Zone viene automaticamente impostata alla funzione QuickCool. Uno dei tre indicatori My Zone deve essere acceso. Quando si seleziona nuovamente la funzione My Zone, l'indicatore My Zone precedentemente illuminato non può essere selezionato. È possibile configurare solo una delle tre funzioni. Le tre funzioni si escludono a vicenda.
2. Il numero di impostazione della temperatura di conservazione della funzione My Zone non può essere superiore al numero di impostazione della temperatura del frigorifero.
3. Per ridurre la temperatura del vano frigorifero utilizzare la funzione 0°C Fresh. Per aumentarla, utilizzare la funzione Fruit&Veg.

## Cassetto My Zone

Il vano frigorifero è dotato di un cassetto My Zone. In base alle esigenze di conservazione degli alimenti, è possibile selezionare la temperatura più adatta per preservare i valori nutrizionali ottimali degli alimenti. Sono disponibili le seguenti modalità.

### Funzione Fruit&Veg

Questa funzione è adatta alla conservazione di frutta e verdura, ad es. mele, carote, ecc.

### Funzione QuickCool

Questa funzione è adatta per conservare bevande come Coca Cola, birra, ecc..



### AVVISO: Fruit&Veg

I formaggi, la frutta e gli ortaggi sensibili al freddo (ad es. ananas, avocado, banane, pompelmi; patate, melanzane, fagioli, cetrioli, zucchine e pomodori) non devono essere conservati nel cassetto My Zone.

### Funzione 0°C Fresh

Questa funzione imposta la temperatura nel cassetto My Zone a 0°C. È adatta alla conservazione di alimenti freschi come carne o prodotti istantanei. La maggior parte degli alimenti rimane fresca a 0 °C, ma non congelata.



### AVVISO: 0°C Fresh

1. A causa del diverso contenuto di acqua della carne, alcune carni con più umidità devono essere congelate a temperature inferiori a 0°C. Quindi la carne "tagliata immediatamente" deve essere conservata nel cassetto My Zone, con temperature minime di 0°C.
2. Se è stata selezionata la funzione "0°C Fresh", impostare la temperatura del vano frigorifero al livello medio (inferiore a 5 °C) per proteggere gli alimenti in un ambiente di conservazione ottimale.

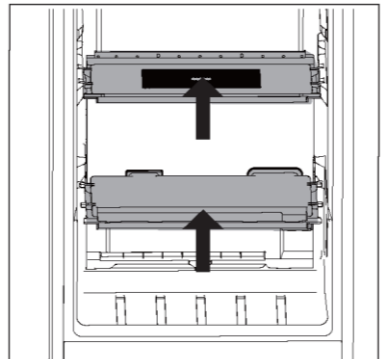
## Cassetto Humidity Zone

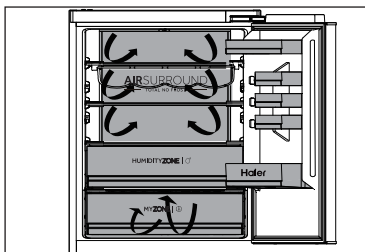
In questo comparto il livello di umidità è superiore al vano frigorifero. È controllato automaticamente dal sistema ed è adatto per conservare frutta, verdura, salse, ecc..



### AVVISO

1. Non rimuovere il coperchio di plastica all'interno delle due zone,
2. poiché mantengono l'umidità.
3. Si sconsiglia di conservare in questi due cassette frutta sensibile al freddo, come ananas, avocado, banane e pompelmi.



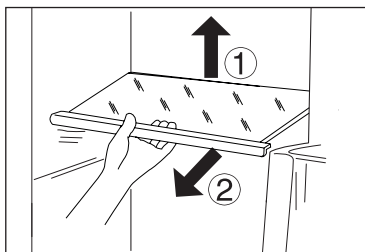


### Flusso d'aria multiple

1. Il frigorifero è dotato di un sistema con flusso d'aria multiple e i flussi di aria fresca investono tutti i ripiani. Ciò facilita il mantenimento di una temperatura uniforme per garantire la freschezza degli alimenti per un periodo maggiore.

### Ripiani regolabili

1. L'altezza dei ripiani può essere regolata in base alle esigenze.
2. Per spostare un ripiano, rimuoverlo sollevandone il bordo posteriore ① ed estrarlo ②.
3. Per reinstallarlo, collocarlo sulle alette su entrambi i lati e spingerlo dentro fino in fondo in modo che la parte posteriore del ripiano sia fissata all'interno delle feritoie laterali

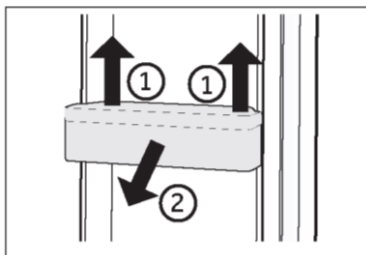


## **i** AVVISO

Accertarsi che tutte le estremità del ripiano siano a livello.

### Portabottiglie/cassetti incassati nello sportello rimovibili

1. I cassetti incassati nello sportello possono essere rimossi per essere puliti:
2. Tenere con le mani entrambi i lati del cassetto incassato, sollevarlo ① ed estrarlo ②.
3. Per inserire il cassetto incassato nello sportello, seguire la procedura inversa.



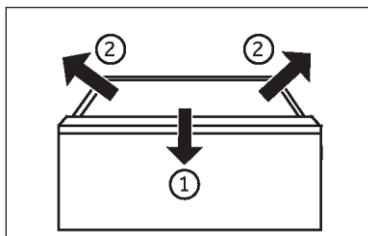
## **i** AVVISO

Quando l'elettrodomestico viene acceso, il raggiungimento delle temperature corrette potrebbe richiedere fino a 12 ore.

### Cassetto rimovibile

Per rimuovere il cassetto, estrarlo al massimo, ① sollevarlo e toglierlo ②.

Per inserire il cassetto, seguire la procedura inversa.



### Illuminazione

La luce interna a LED si accende quando si apre lo sportello. Le prestazioni dell'illuminazione non dipendono da altre impostazioni degli elettrodomestici.



## Suggerimenti per il risparmio energetico

- ▶ Accertarsi che l'elettrodomestico sia adeguatamente ventilato (v. INSTALLAZIONE).
- ▶ Non installare l'elettrodomestico esposto alla luce diretta del sole o in prossimità di fonti di calore (ad es. stufe o radiatori).
- ▶ Evitare che la temperatura dell'elettrodomestico sia inutilmente bassa. Riducendo la temperatura impostata nell'elettrodomestico, il consumo energetico aumenta.
- ▶ Funzioni come Super Freeze consumano più energia.
- ▶ Attendere che gli alimenti caldi si raffreddino prima di collocarli nell'elettrodomestico.
- ▶ Aprire lo sportello dell'elettrodomestico senza spalancarlo e per il più breve tempo possibile.
- ▶ Per evitare ostruzioni del flusso d'aria, non riempire eccessivamente l'elettrodomestico.
- ▶ Evitare l'ingresso di aria nelle confezioni di alimenti.
- ▶ Mantenere pulite le guarnizioni dello sportello in modo che si chiuda sempre perfettamente.
- ▶ Scongelare gli alimenti surgelati nel comparto frigorifero.
- ▶ Per ottimizzare il risparmio energetico, lasciare i cassetti, i contenitori per gli alimenti e i ripiani nelle posizioni di fabbrica e collocare gli alimenti il più possibile distanti tra loro senza ostruire l'uscita del condotto.



## AVVERTENZA!

Prima di effettuare la pulizia, staccare la spina di alimentazione dell'elettrodomestico.

### Pulizia

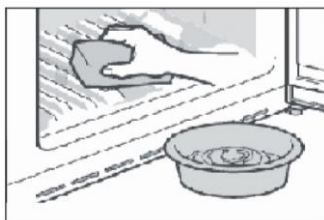
Pulire l'elettrodomestico quando è vuoto o contiene pochi alimenti.

Per una corretta manutenzione e per evitare cattivi odori degli alimenti conservati, pulire l'elettrodomestico ogni quattro settimane.



## AVVERTENZA!

- ▶ Non pulire l'elettrodomestico con spazzole rigide, spazzole metalliche, detersivi in polvere, benzina, acetato di pentile, acetone e soluzioni organiche simili, soluzioni acide o alcaline. Per la pulizia adoperare un detersivo speciale per frigoriferi per evitare danni.
- ▶ Non spruzzare o schizzare liquidi sull'elettrodomestico durante la pulizia.
- ▶ Per pulire questo elettrodomestico non utilizzare apparecchi a vapore.
- ▶ Non pulire i ripiani di vetro freddi con acqua calda. Un'improvvisa variazione della temperatura può causare la rottura del vetro.
- ▶ Non toccare la superficie interna del comparto congelatore, soprattutto con le mani bagnate, poiché le mani potrebbero congelarsi sulla superficie.
- ▶ Se la temperatura aumenta, controllare lo stato degli alimenti congelati.



- ▶ Tenere sempre pulita la guarnizione dello sportello.
- ▶ Pulire l'interno e l'alloggiamento dell'elettrodomestico con una spugna imbevuta di acqua calda e detersivo neutro.
- ▶ 1. Strofinare l'interno e l'esterno del frigorifero (compresi la guarnizione dello sportello, il cassetto incassato nello sportello, i ripiani di vetro, i comparti ecc.) con un panno morbido o una spugna imbevuta di acqua calda (è possibile aggiungere un detersivo neutro).
- ▶ 2. In presenza di liquidi versati, rimuovere tutte le parti contaminate, sciacquarle sotto l'acqua corrente, asciugarle e ricollocarle nel frigorifero.
- ▶ 3. In caso di versamenti di alimenti cremosi (ad es. panna o gelato sciolto), rimuovere tutte le parti contaminate, lasciarle un po' di tempo in acqua calda a circa 40 °C, poi sciacquarle sotto l'acqua corrente, asciugarle e ricollocarle nel frigorifero.
- ▶ 4. Nel caso in cui rimangano intrappolati piccoli oggetti all'interno del frigorifero (tra i ripiani o i cassette), toglierli con una spazzolina morbida. Se non si riesce a raggiungere l'oggetto, rivolgersi all'assistenza Haier.
- ▶ Sciacquare e asciugare con un panno morbido.
- ▶ Non lavare i componenti dell'elettrodomestico in lavastoviglie.
- ▶ Attendere almeno 5 minuti prima di riavviare l'elettrodomestico, poiché un avvio frequente può danneggiare il compressore.

### Sbrinamento

Lo sbrinamento dei vani frigorifero e congelatore avviene automaticamente e non richiede operazioni manuali.

## Sostituzione delle lampade a LED



### AVVERTENZA!

La lampada a LED deve essere sostituita solo dal produttore o da un tecnico dell'assistenza autorizzato.

La lampada utilizza una sorgente luminosa a LED che riduce i consumi energetici e garantisce una lunga durata. In caso di anomalie, rivolgersi all'assistenza clienti. V. ASSISTENZA CLIENTI.

Parametri delle lampade:

Scomparto frigorifero: 12 V, max 2 W

Scomparto congelatore: 12 V, max 2 W

### Inutilizzo per lunghi periodi

Se l'elettrodomestico non viene utilizzato per un lungo periodo di tempo e non viene impostata la funzione Holiday per il frigorifero:

Estrarre gli alimenti.

Scollegare il cavo di alimentazione.

Pulire l'elettrodomestico come descritto in precedenza.

Lasciare aperti gli sportelli per evitare la produzione di cattivi odori all'interno.



### AVVISO

Spegnere l'elettrodomestico solo se è strettamente necessario.

### Spostamento dell'elettrodomestico

1. Togliere tutti gli alimenti e staccare la spina dell'elettrodomestico.
2. Fissare con nastro adesivo i ripiani e gli altri componenti mobili presenti nel frigorifero e nel congelatore.
3. Non inclinare il frigorifero oltre 45°, altrimenti il sistema di refrigerazione potrebbe danneggiarsi.



### AVVERTENZA!

- ▶ Non sollevare l'elettrodomestico tenendolo per le maniglie dello sportello.
- ▶ Non collocare mai l'elettrodomestico orizzontalmente a terra.

Molti problemi possono essere risolti personalmente senza particolari competenze. In caso di problemi, consultare tutte le soluzioni possibili indicate e attenersi alle seguenti istruzioni prima di contattare l'assistenza post-vendita. V. ASSISTENZA CLIENTI.



## AVVERTENZA!

- ▶ Prima di effettuare la manutenzione dell'elettrodomestico, spegnerlo e staccare la spina dalla presa di corrente.
- ▶ La manutenzione delle apparecchiature elettriche deve essere effettuata solo da elettricisti qualificati, dal momento che eventuali riparazioni improprie possono causare danni notevoli.
- ▶ Se il cavo di alimentazione è danneggiato, deve essere sostituito unicamente dal produttore, da un tecnico dell'assistenza o da una persona con analogha qualifica per evitare rischi.

Problema	Causa possibile	Soluzione possibile
Il compressore non funziona.	<ul style="list-style-type: none"> <li>• La spina non è collegata alla presa di corrente.</li> <li>• L'elettrodomestico sta effettuando il ciclo di sbrinamento</li> </ul>	<ul style="list-style-type: none"> <li>• Collegare la spina alla presa di corrente.</li> <li>• Ciò è normale per lo sbrinamento automatico</li> </ul>
L'elettrodomestico si aziona frequentemente o per un periodo di tempo troppo lungo.	<ul style="list-style-type: none"> <li>• La temperatura interna o esterna è troppo elevata.</li> <li>• L'elettrodomestico è rimasto spento per un certo periodo di tempo.</li> <li>• Uno sportello dell'elettrodomestico non è chiuso ermeticamente.</li> <li>• Lo sportello è stato aperto troppo spesso o troppo a lungo.</li> <li>• L'impostazione della temperatura del comparto congelatore è troppo bassa.</li> <li>• La guarnizione dello sportello è sporca, usurata, danneggiata o inadeguata.</li> <li>• Non è garantita la circolazione dell'aria necessaria.</li> </ul>	<ul style="list-style-type: none"> <li>• In questo caso è normale che l'elettrodomestico rimanga in funzione più a lungo.</li> <li>• Il raffreddamento completo dell'elettrodomestico normalmente richiede 8-12 ore.</li> <li>• Chiudere lo sportello o il cassetto e accertarsi che l'elettrodomestico sia a livello e che gli alimenti o i contenitori non urtino lo sportello.</li> <li>• Non aprire lo sportello o il cassetto troppo spesso.</li> <li>• Scegliere un'impostazione della temperatura più alta fino a quando la temperatura del frigorifero è soddisfacente. Per stabilizzare la temperatura del frigorifero occorrono 24 ore.</li> <li>• Pulire la guarnizione dello sportello o del cassetto o farla sostituire dall'assistenza clienti.</li> <li>• Garantire un'adeguata ventilazione.</li> </ul>
L'interno del frigorifero è sporco e/o si sentono cattivi odori.	<ul style="list-style-type: none"> <li>• L'interno del frigorifero deve essere pulito.</li> <li>• In frigorifero vengono conservati alimenti che producono un odore intenso.</li> </ul>	<ul style="list-style-type: none"> <li>• Pulire la parte interna del frigorifero.</li> <li>• Avvolgere completamente gli alimenti.</li> </ul>



Problema	Causa possibile	Soluzione possibile
La temperatura nell'elettrodomestico non è sufficientemente bassa.	<ul style="list-style-type: none"> <li>• La temperatura impostata è troppo alta.</li> <li>• Sono stati collocati alimenti troppo caldi.</li> <li>• Sono stati collocati troppi alimenti contemporaneamente.</li> <li>• Gli alimenti sono troppo vicini tra loro.</li> <li>• Uno sportello o un cassetto dell'elettrodomestico non è chiuso bene.</li> <li>• Lo sportello o il cassetto è stato aperto troppo spesso o troppo a lungo.</li> </ul>	<ul style="list-style-type: none"> <li>• Reimpostare la temperatura.</li> <li>• Gli alimenti devono essere sempre raffreddati prima di conservarli.</li> <li>• Non conservare troppi alimenti.</li> <li>• Lasciare spazio tra i vari alimenti per consentire il passaggio del flusso d'aria.</li> <li>• Chiudere lo sportello o il cassetto.</li> <li>• Non aprire lo sportello o il cassetto troppo spesso.</li> </ul>
La temperatura nell'elettrodomestico è troppo bassa.	<ul style="list-style-type: none"> <li>• La temperatura impostata è troppo bassa.</li> <li>• La funzione Super Freeze/ Super Cool è attiva o rimane attiva troppo a lungo.</li> </ul>	<ul style="list-style-type: none"> <li>• Reimpostare la temperatura.</li> <li>• Disattivare la funzione Super Freeze/Super Cool</li> </ul>
Formazione di umidità all'interno del comparto frigorifero.	<ul style="list-style-type: none"> <li>• Il clima è troppo caldo e troppo umido.</li> <li>• Uno sportello o un cassetto dell'elettrodomestico non è chiuso bene.</li> <li>• Lo sportello o il cassetto è stato aperto troppo spesso o troppo a lungo.</li> <li>• Contenitori per alimenti o liquidi rimasti aperti.</li> </ul>	<ul style="list-style-type: none"> <li>• Aumentare la temperatura.</li> <li>• Chiudere lo sportello o il cassetto.</li> <li>• Non aprire lo sportello o il cassetto troppo spesso.</li> <li>• Lasciare raffreddare gli alimenti caldi a temperatura ambiente e coprire cibi e liquidi.</li> </ul>
Accumulo di umidità sul frigorifero sulla superficie esterna o tra gli sportelli e il cassetto.	<ul style="list-style-type: none"> <li>• Il clima è troppo caldo e troppo umido.</li> <li>• Lo sportello non è chiuso ermeticamente. L'aria fredda all'interno dell'elettrodomestico e l'aria calda all'esterno formano condensa.</li> </ul>	<ul style="list-style-type: none"> <li>• Ciò è normale in un clima umido; la situazione cambia quando l'umidità diminuisce.</li> <li>• Accertarsi che lo sportello o il cassetto sia chiuso bene.</li> </ul>
La luce del display funziona ma non è fredda.	È in modalità demo.	Si prega di notare in quali condizioni si trova, se è in modalità Demo, uscire. Esci: tieni premuto il pulsante "ECO" e fai clic sul tasto "Super Freeze" 5 volte in 5 secondi.

Problema	Causa possibile	Soluzione possibile
Presenza di molto ghiaccio e brina nel comparto congelatore.	<ul style="list-style-type: none"> <li>• Gli alimenti non sono stati confezionati adeguatamente.</li> <li>• Uno sportello o un cassetto dell'elettrodomestico non è chiuso bene.</li> <li>• Lo sportello o il cassetto è stato aperto troppo spesso o troppo a lungo.</li> <li>• Le guarnizioni dello sportello o del cassetto sono sporche, usurate, danneggiate o inadeguate.</li> <li>• Qualcosa all'interno impedisce la chiusura corretta dello sportello o del cassetto.</li> </ul>	<ul style="list-style-type: none"> <li>• Confezionare sempre gli alimenti.</li> <li>• Chiudere lo sportello o il cassetto.</li> <li>• Non aprire lo sportello o il cassetto troppo spesso.</li> <li>• Pulire la guarnizione dello sportello o del cassetto oppure sostituirla.</li> <li>• Risistemare i ripiani, i cassetti incassati nello sportello o i contenitori interni per consentire la chiusura dello sportello o del cassetto.</li> </ul>
I lati del comparto e la striscia dello sportello si riscaldano.	<ul style="list-style-type: none"> <li>• -</li> </ul>	<ul style="list-style-type: none"> <li>• È normale.</li> </ul>
L'elettrodomestico emette suoni anormali.	<ul style="list-style-type: none"> <li>• L'elettrodomestico non è a livello.</li> <li>• L'elettrodomestico urta qualche oggetto vicino.</li> </ul>	<ul style="list-style-type: none"> <li>• Regolare i piedini per collocare l'elettrodomestico a livello.</li> <li>• Rimuovere gli oggetti attorno all'elettrodomestico.</li> </ul>
Si sente un lieve rumore, simile a quello dell'acqua che scorre.	<ul style="list-style-type: none"> <li>• -</li> </ul>	<ul style="list-style-type: none"> <li>• È normale.</li> </ul>
Viene emesso un allarme acustico.	<ul style="list-style-type: none"> <li>• Lo sportello del comparto frigorifero è aperto.</li> </ul>	<ul style="list-style-type: none"> <li>• Chiudere lo sportello.</li> </ul>
Viene emesso un lieve sibilo.	<ul style="list-style-type: none"> <li>• È in funzione il sistema anticondensa</li> </ul>	<ul style="list-style-type: none"> <li>• Ciò evita la formazione di condensa ed è normale</li> </ul>
L'illuminazione interna o il sistema di raffreddamento non funziona.	<ul style="list-style-type: none"> <li>• La spina non è collegata alla presa di corrente.</li> <li>• Problema della fonte di alimentazione.</li> <li>• La lampada a LED è fuori uso.</li> </ul>	<ul style="list-style-type: none"> <li>• Collegare la spina alla presa di corrente.</li> <li>• Controllare l'alimentazione elettrica. Chiamare l'azienda elettrica locale.</li> <li>• Chiamare l'assistenza per la sostituzione.</li> </ul>

Per rivolgersi all'assistenza tecnica, visitare il nostro sito web: <https://corporate.haier-europe.com/en/>

Nella sezione "sito Web", scegliere la marca del proprio prodotto e il proprio paese. Si aprirà il sito Web specifico contenente il numero di telefono e il modulo per contattare l'assistenza tecnica.

### **Interruzione della corrente**

In caso di interruzione della corrente, gli alimenti dovrebbero rimanere freddi in maniera sicura per circa 5 ore. Attenersi ai seguenti suggerimenti durante un'interruzione prolungata della corrente, soprattutto in estate:

- ▶ Limitare al massimo l'apertura dello sportello o del cassetto.
- ▶ In caso di interruzione della corrente, non collocare altri alimenti nell'elettrodomestico.
- ▶ Se viene fornito un preavviso di interruzione della corrente di durata superiore a 5 ore, produrre un po' di ghiaccio e collocarlo nella parte superiore del comparto frigorifero.
- ▶ Dopo l'interruzione della corrente, è indispensabile controllare immediatamente gli alimenti.
- ▶ Siccome la temperatura nel frigorifero aumenta durante un'interruzione della corrente o in caso di altri guasti, il periodo di conservazione e la commestibilità degli alimenti si riducono. Per evitare rischi per la salute, gli alimenti che si scongelano devono essere immediatamente consumati oppure cotti e ricongelati (se possibile).

### **Funzione di memoria durante un'interruzione di corrente**

Al ripristino della corrente, l'elettrodomestico riprende il funzionamento in base alle impostazioni precedenti.

## Disimballo

**AVVERTENZA!**

- ▶ L'elettrodomestico è pesante/ deve essere maneggiato sempre da almeno sempre due persone.
- ▶ Tenere fuori dalla portata dei bambini tutti i materiali di imballaggio e smaltirli nel rispetto dell'ambiente.
- ▶ Estrarre l'elettrodomestico dall'imballo.
- ▶ Togliere tutti i materiali di imballo.

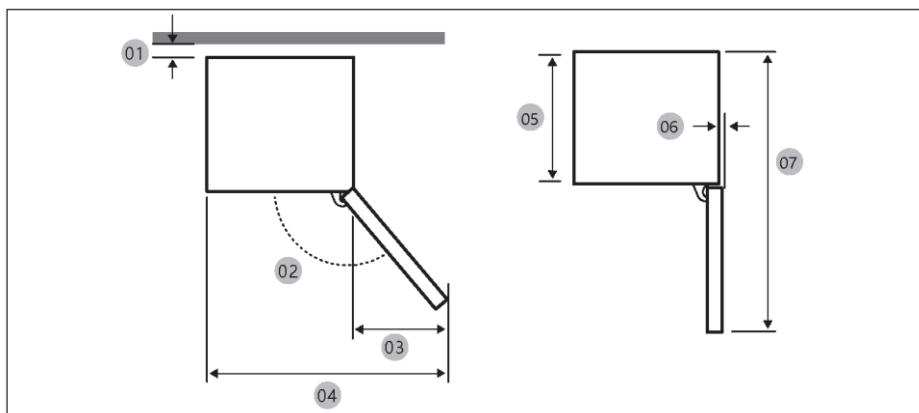
**Condizioni ambientali**

La temperatura ambiente deve essere sempre compresa tra 10 e 43 °C, poiché può influire sulla temperatura interna dell'elettrodomestico e sui consumi energetici.

Non installare l'elettrodomestico vicino ad altri elettrodomestici che emettono calore (forni, frigoriferi) senza isolamento.

**Spazio necessario**

Spazio richiesto quando lo sportello è aperto (senza pannello dello sportello del comparto)

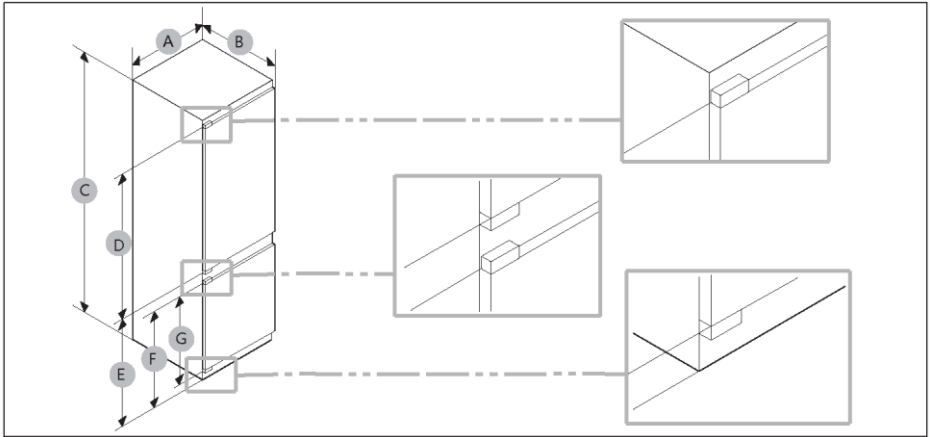


Modello	HBW7518C HBW7518DT
01 *	10 (min.) / 30 (consigliato)
02	95° (Consigliato)
03	43
04	583
05	515
06	-3
07	1060

(unità: mm)

\*01: Dal comparto al retro del prodotto.

**Dimensione del prodotto**



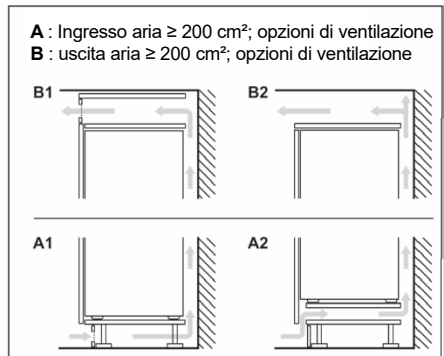
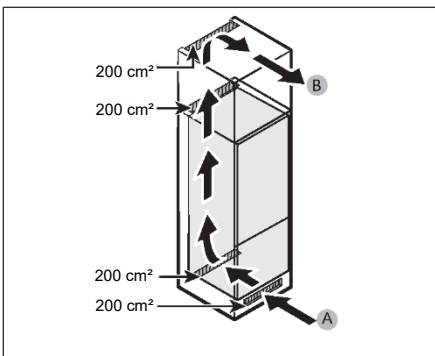
Modello	A(mm)	B(mm)	C(mm)	D(mm)	E(mm)	F(mm)	G(mm)
HBW7518C HBW7518DT	540±2	550±2	1772±2	970	745	662	618

**i AVVISO**

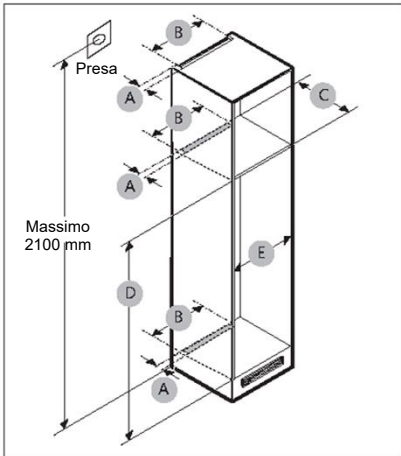
- Il consumo energetico specificato si basa sulla condizione di uno spazio di 10 mm tra il comparto e il retro del prodotto. Il prodotto funziona correttamente anche con uno spazio inferiore a 10 mm, anche se andrà a consumare leggermente più di energia.
- Si consiglia di utilizzare un comparto di spessore 18 mm con cerniere di spessore inferiore a 20 mm.
- Le misurazioni nella tabella sopra possono differire in base al metodo di misurazione.
- Per l'installazione integrata, consultare la Guida all'installazione.

**Sezione di ventilazione**

Per ottenere una ventilazione sufficiente dell'elettrodomestico per motivi di sicurezza, attenersi alle indicazioni sulle sezioni di ventilazione.



### Dimensioni del comparto



### ATTENZIONE!

Qualsiasi guasto del prodotto dovuto a quanto segue non è coperto dalla garanzia.

1. Condizioni improprie del sito o dimensioni errate del comparto.
2. Comparto difettoso.
3. Errori dell'installatore o dell'utente.

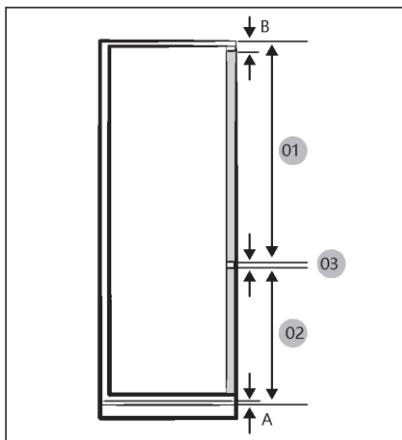
### Spazio libero

Vedere le immagini e le tabelle sottostanti per i requisiti di spazio per l'installazione.

Modello		A (mm)	B (mm)	C (mm)	D (mm)	E (mm)	Nota
HBW7518C HBW7518DT	Min.	50	400	560	1778	560	Cerniera: 17 mm
	Consigliato			580	1780	562	
	Max.			-	1782	568	

## **i** AVVISO

- Se la larghezza di un comparto è maggiore di 568 mm, la guarnizione (tra il frigorifero e il comparto) potrebbe allentarsi.
- Se il comparto è più alto della dimensione massima (1782 mm), è necessario utilizzare altri materiali di finitura per colmare lo spazio.



## **i** AVVISO

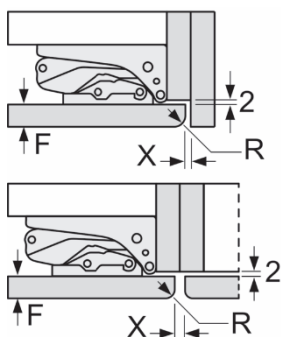
Per installare un comparto che richiede uno spazio di 4 mm (03), vedere la tabella di riferimento del comparto presentata di seguito.

- A. Bordo inferiore del pannello frontale sopra la ventilazione dell'aria
- B. Sporgenza del pannello frontale

(unità: mm)

Modello	HBW7518C HBW7518DT
01	Min. 1028+B Max. 1106+B
02	Min. 662+A Max. 740+A
03	4 mm (spazio tra il pannello dello sportello del comparto del frigorifero e del congelatore)

Dimensioni dello spazio consigliate per cerniere piatte (per tipo con cerniera fissa o morbida).

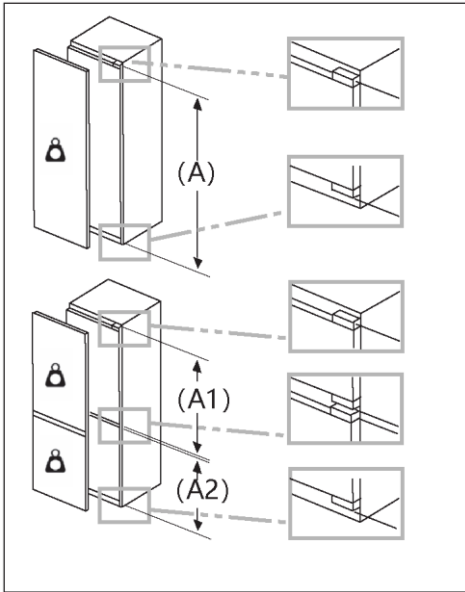


(unità: mm)

F	R	X
16-19	0-3	2,5
20	0-1	3
	2-3	2,5
21	0-1	3
	2-3	2,5
22	0	4
	1	3,5
	2-3	3

È necessario rispettare le dimensioni dello spazio consigliate nella tabella per garantire che gli sportelli degli elettrodomestici non urtino contro nulla durante l'apertura e per evitare danni ai mobili della cucina.

## Peso massimo ammissibile dei frontali dell'unità



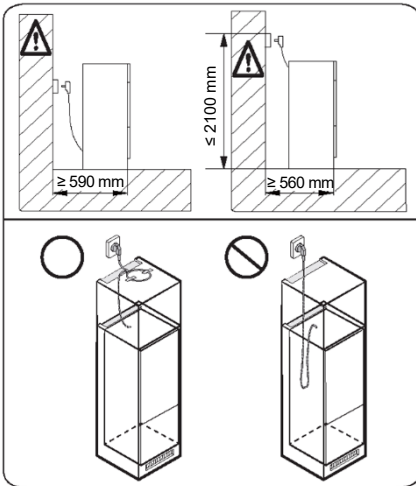
I frontali dei mobili montati che superano il peso consentito possono causare danni e compromettere la funzionalità delle cerniere.



**Peso**  
(kg)

1500-1750 mm	22
720-1400 mm	19
A1	15
A2	15

## Considerazione della posizione della presa e dello spazio richiesto



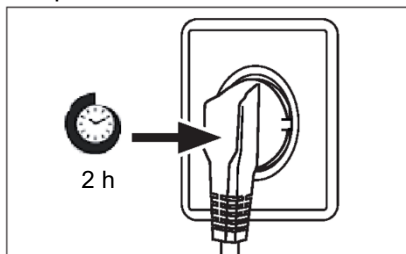
### AVVISO

Se si installa il frigorifero in un comparto con profondità 560 mm, assicurarsi che il cavo di alimentazione sia disposto su un lato del frigorifero prima di collegarlo a una presa di corrente.

Se il cavo di alimentazione si trova nella parte posteriore del frigorifero, potrebbe ridurre l'efficienza energetica.



### Tempo di attesa



L'olio di lubrificazione esente da manutenzione si trova nella capsula del compressore. Questo olio può percorrere il sistema di tubazioni chiuse durante il trasporto. Prima di collegare l'elettrodomestico all'alimentazione elettrica, attendere almeno 2 ore in modo che l'olio torni nella capsula.

### Collegamento elettrico

Prima di ogni collegamento, effettuare i seguenti controlli:

- ▶ La fonte di alimentazione, la presa e i fusibili sono conformi ai dati indicati nella targhetta.
- ▶ La presa di corrente è collegata a terra e non sono utilizzate prese multiple o prolunghe.
- ▶ La spina e la presa di corrente sono compatibili.

Collegare la spina a una presa domestica installata correttamente.



## AVVERTENZA!

Per evitare rischi, i cavi di alimentazione danneggiati devono essere sostituiti dall'assistenza clienti (v. scheda di garanzia).

## Specifiche del prodotto secondo il regolamento UE n. 2019/2016

<b>Marchio</b>	<b>Haier</b>	<b>Haier</b>	<b>Haier</b>
Nome / identificativo del modello	<b>18M</b>	<b>20M</b>	<b>20M70</b>
Categoria del modello	Frigorifero- Congelatore	Frigorifero- Congelatore	Frigorifero- Congelatore
Classe di efficienza energetica	B/C/D	C/D	C/D
Consumo energetico annuo (kWh/anno)(1)			
Volume totale (litri)	263 L		
Volume frigorifero (litri)	183 L		
Volume congelatore (litri)	80 L		
Volume sezione chiller (litri)	/	/	/
Macchina automatica per il ghiaccio (litri)	/	/	/
Prestazioni (stelle)	4	4	4
Temperatura degli altri comparti > 14 °C	Non applicabile	Non applicabile	Non applicabile
Sistema senza formazione di brina	Sì	Sì	Sì
Capacità di congelamento (kg/24 h)	8	8	8
Classe climatica (2)			
Classe di emissione di rumore ed emissioni acustiche aeree (db(A) re re1pW)			
Tempo di aumento della temperatura (h)	12	12	12
Capacità di produzione del ghiaccio			
Tipo di elettrodomestico	da incasso	da incasso	da incasso

Nome del modello	Classe di efficienza energetica
HBW7518C	C
HBW7518DT	D

Descrizioni:

• Sì

- (1) In base ai risultati del test di conformità agli standard per 24 ore. Il consumo effettivo dipende dall'uso e dalla posizione dell'elettrodomestico.
- (2) Classe climatica SN: questo elettrodomestico è destinato all'uso con temperature ambiente comprese tra +10 °C e +32 °C  
 Classe climatica N: questo elettrodomestico è destinato all'uso con temperature ambiente comprese tra +16 °C e +32 °C  
 Classe climatica ST: questo elettrodomestico è destinato all'uso con temperature ambiente comprese tra +16 °C e +38 °C  
 Classe climatica T: questo elettrodomestico è destinato all'uso con temperature ambiente comprese tra +16 °C e +43 °C

#### Dati tecnici supplementari

Tensione / Frequenza	220-240V ~/ 50Hz
Corrente di ingresso (A)	2
Fusibile principale (A)	16
Refrigerante	R600a
Dimensioni (A/L/P in mm)	1772/540/550

Si consiglia di rivolgersi all'Assistenza Clienti Haier e di utilizzare ricambi originali. In caso di problemi con l'elettrodomestico, consultare prima la sezione SOLUZIONE DEI PROBLEMI.

Se non si riesce a trovare una soluzione, contattare

- ▶ il rivenditore locale o
- ▶ lo European Call Service-Center (vedere i numeri di telefono elencati di seguito) o
- ▶ l'area Service & Support su [www.haier.com](http://www.haier.com) dove è possibile chiedere assistenza
- ▶ e trovare risposte a domande frequenti.

Per contattare l'assistenza, procurarsi i dati seguenti.  
Le informazioni si trovano sulla targhetta.

Modello \_\_\_\_\_

N. di serie \_\_\_\_\_

Controllare anche la scheda di garanzia fornita con il prodotto.

European Call Service-Center		
Paese*	Numero di telefono	Costi
Haier Italy (IT)	199 100 912	
Haier Spain (ES)	902 509 123	
Haier Germany (DE)	0180 5 39 39 99	<ul style="list-style-type: none"> <li>• 14 cent/min su linea fissa</li> <li>• max 42 cent/min su linea mobile</li> </ul>
Haier Austria (AT)	0820 001 205	<ul style="list-style-type: none"> <li>• 14,53 cent/min su linea fissa</li> <li>• max 20 cent/min su altre linee</li> </ul>
Haier United Kingdom (UK)	0333 003 8122	
Haier France (FR)	0980 406 409	

\* Per altri paesi. fare riferimento al sito [www.haier.com](http://www.haier.com)

Haier Europe Trading S.r.l

Filiale Regno Unito

Westgate House, Westgate, Ealing

London, W5 1YY

\*Durata della garanzia dell'elettrodomestico:

Garanzia minima: 2 anni per i paesi UE, 3 anni per la Turchia, 1 anno per il Regno Unito, 1 anno per la Russia, 3 anni per la Svezia, 2 anni per la Serbia, 5 anni per la Norvegia, 1 anno per il Marocco, 6 mesi per l'Algeria; per la Tunisia non è obbligatoria alcuna garanzia legale.

\*Periodo di disponibilità dei pezzi di ricambio per la riparazione dell'elettrodomestico:

Termostati, sensori di temperatura, circuiti stampati e lampade rimangono disponibili per almeno sette anni dopo l'immissione sul mercato dell'ultima unità del modello.

Maniglie e cerniere degli sportelli, vassoi e cestelli rimangono disponibili per almeno sette anni e le guarnizioni degli sportelli per almeno dieci anni dopo l'immissione sul mercato dell'ultima unità del modello.

\*Per ulteriori informazioni sul prodotto, consultare <https://eprel.ec.europa.eu/> o effettuare una scansione del codice QR apposto sull'etichetta fornita con l'elettrodomestico.

The Haier logo is displayed in a bold, black, sans-serif font. The background of the page features abstract geometric shapes in shades of gray and white, including a large dark gray shape on the left and a large light gray shape on the right, both with rounded corners and pointed ends.

专用号条码

0060536192  
2024 Version A

# Haier

## Gebruikershandleiding

Koelvriescombinatie  
HBW7518C  
HBW7518DT

EN

CZ

DE

EL

ES

FR

HU

IT

NL

PL

PT

RO

NL





**WARNING: Risk of fire/flammable material** **EN**  
The symbol indicates there is a risk of fire since flammable materials are used. Take care to avoid causing a fire by ingiting flammable material.

**VAROVÁNÍ: Nebezpečí Požáru/Hořlavého Materiálu** **CZ**

Symbol označuje riziko požáru, protože byly použity hořlavé materiály. Dbejte na to, aby nedošlo ke vzniku požáru zapálením hořlavého materiálu.

**WARNUNG: Brandgefahr/brennbares Material** **DE**

Das Symbol weist auf Brandgefahr hin, da brennbare Materialien verwendet werden. Verhindern Sie die Entstehung von Bränden, die durch entflammbare Materialien verursacht werden.

**ΠΡΟΣΟΧΗ: Κίνδυνος: φωτιάς/εύφλεκτο υλικό** **EL**

Το σύμβολο υποδεικνύει ότι υπάρχει κίνδυνος φωτιάς επειδή χρησιμοποιούνται εύφλεκτα υλικά. Προσέχετε να αποφεύγετε την πρόκληση φωτιάς από ανάφλεξη εύφλεκτου υλικού.

**ADVERTENCIA: Riesgo de incendio o material inflamable** **ES**

El símbolo indica que existe riesgo de incendio, dado que se utilizan materiales inflamables. Se debe procurar evitar incendios medí ante la combustión de materiales inflamables.

**ATTENTION: Risque d'incendie ou de matières inflammables** **FR**

Le symbole montre qu'il y'a le risque de matériaux inflammables sont utilisés. Prendre soin d'éviter de provoquer un incendie en ingérant des matières inflammables.

**FIGYELEM: Tűz / gyűlékony anyag veszélye** **HU**

A szimbólum azt jelzi, hogy tűzveszély áll fenn, mivel gyűlékony anyagokat használnak. Ügyeljen arra, hogy ne tegyen rá tűzveszélyes gyűlékony anyagot.

**ATTENZIONE: Rischio di incendio/materiale infiammabile** **IT**

Il simbolo indica il rischio di incendio nel caso di utilizzo di materiali infiammabili. Fare attenzione ed evitare l'insorgere di incendi a causa della combustione di materiali infiammabili.

**WAARSCHUWING: Brandrisico / brandbaar materiaal** **NL**

Het systeem geeft aan dat er een brandrisico bestaat aangezien brandbaar materiaal wordt gebruikt. Zorg ervoor dat er geen brand wordt veroorzaakt door brandbaar materiaal te ontsteken.

**OSTRZEŽENIE: Ryzyko pożaru/materiał łatwopalny** **PL**

Symbol wskazuje, że istnieje ryzyko pożaru, ponieważ używane są materiały łatwopalne. Dbaj o to, aby uniknąć pożaru poprzez zapale nie łatwopalnego materiału.

**AVISO: Risco de incêndio e material inflamável** **PT**

O símbolo indica que existe um risco de incêndio, uma vez que são utilizados materiais inflamáveis. Tenha cuidado para evitar provocar um incêndio acendendo material inflamável.

**AVERTISMENT: Risc de incendiu/material inflamabil** **RO**

Simbolul indică că există risc de incendiu deoarece sunt folosite materiale inflamabile. Aveți grijă și evitați incendiile aprinzând materiale inflamabile.



<u>5 Veiligheidsinformatie</u>	<u>Vóór het eerste gebruik</u>	6
	<u>Installatie</u>	6
	<u>Dagelijks gebruik</u>	7
	<u>Informatie over koelgas</u>	9
<u>10 Beoogd gebruik</u>		
<u>11 Productbeschrijving</u>		
<u>12 Bedieningspaneel</u>		
<u>13 Gebruik</u>	<u>Paneel vergrendelen/ ontgrendelen</u>	13
	<u>De koelkasttemperatuur aanpassen</u>	13
	<u>De vriezer temperatuur aanpassen</u>	13
	<u>Interconnectiefunctie</u>	13
	<u>ECO-functie</u>	15
	<u>Functie 'Holiday'</u>	15
	<u>Super Cool-functie</u>	15
	<u>Super Freeze-functie</u>	16
	<u>Functie My Zone selecteren</u>	17
<u>19 Uitrusting</u>		
<u>20 Tips voor energiebesparing</u>		
<u>21 Onderhoud en reiniging</u>		
<u>23 Problemen oplossen</u>		
<u>27 Installatie</u>		
<u>33 Technische gegevens</u>		
<u>35 Klantenservice</u>		

## Bedankt voor de aankoop van een Haier-product.

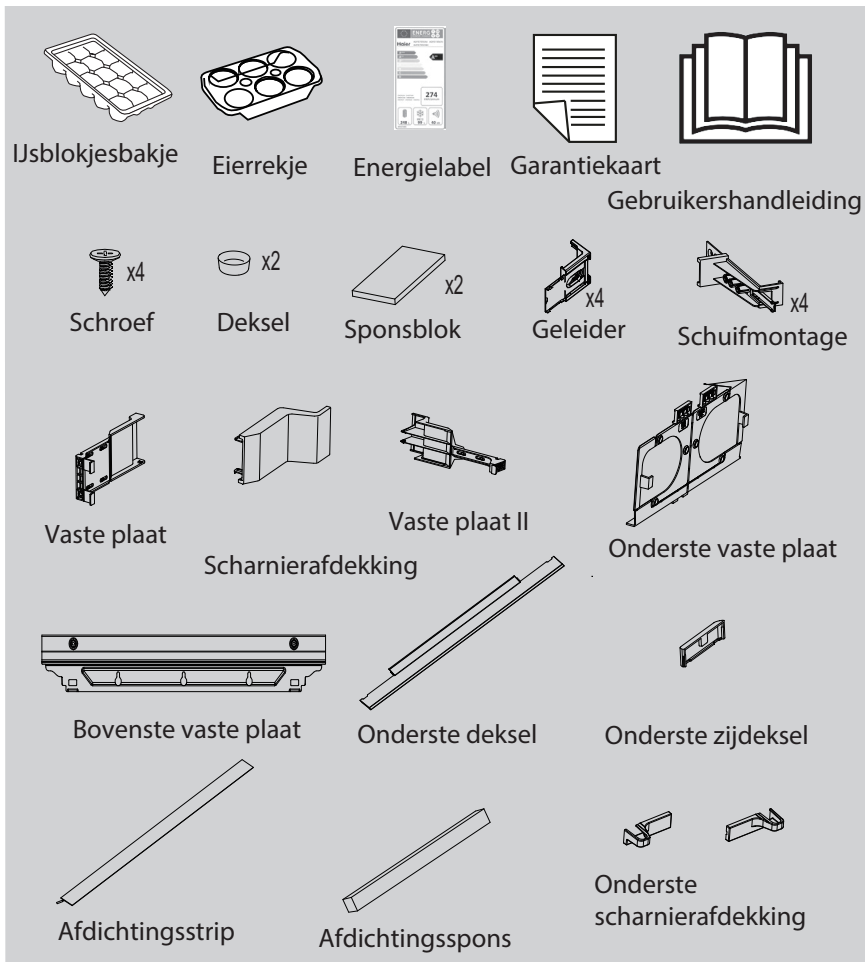
Lees deze instructies zorgvuldig door voordat u dit apparaat gebruikt. De instructies bevatten belangrijke informatie die u helpt het beste uit het apparaat te halen en veilige en correcte installatie, gebruik en onderhoud te waarborgen.

Bewaar deze handleiding op een handige plaats zodat u hem altijd kunt raadplegen voor een veilig en correct gebruik van het apparaat.

Als u het apparaat verkoopt, weggeeft of achterlaat wanneer u verhuist, zorg er dan voor dat u deze handleiding ook overdraagt, zodat de nieuwe eigenaar het apparaat en de veiligheidswaarschuwingen kan leren kennen.

## Accessoires

Controleer de accessoires en literatuur in overeenstemming met deze lijst:



**WAARSCHUWING – Belangrijke veiligheidsinformatie****LET OP – Algemene informatie en tips****Milieu-informatie****Verwijdering**

Help het milieu en de menselijke gezondheid te beschermen. Doe de verpakking in de daarvoor bestemde containers om deze te recyclen. Help het afval van elektrische en elektronische apparaten te recyclen. Gooi apparaten met dit symbool niet weg bij het huisvuil. Lever het product in bij uw plaatselijke recyclingfaciliteit of neem contact op met uw gemeentekantoor.

**WAARSCHUWING!**

Gevaar voor letsel of verstikking!

Koelmiddelen en gassen moeten professioneel worden verwijderd. Controleer of de leidingen van het koelmiddelcircuit niet zijn beschadigd voordat ze op de juiste manier worden afgevoerd. Koppel het apparaat los van de stroomvoorziening. Knip het netsnoer af en gooi het weg. Verwijder de bakken en laden en de deurvergrendeling en -afdichtingen, om te voorkomen dat kinderen en huisdieren in het apparaat worden opgesloten.

## Lees voordat u het apparaat voor het eerst inschakelt de volgende veiligheidstips:



### WAARSCHUWING!

#### Vóór het eerste gebruik

- ▶ Controleer of er geen transportschade is.
- ▶ Wacht ten minste twee uur voordat u het apparaat installeert, om er zeker van te zijn dat het koelmiddelcircuit volledig werkt.
- ▶ Verplaats het apparaat altijd met ten minste twee personen, het is namelijk zwaar.
- ▶ Verwijder alle verpakkingsmaterialen, houd ze buiten bereik van kinderen en gooi ze op een milieuvriendelijke manier weg.
- ▶ Reinig de binnen- en de buitenkant van het apparaat met water en een mild reinigingsmiddel voordat u er voedingsmiddelen in plaatst.
- ▶ Nadat het apparaat waterpas is gezet en is schoongemaakt, moet u minstens 2–5 uur wachten voordat u het aansluit op het elektriciteitsnet. Raadpleeg hoofdstuk INSTALLATIE.
- ▶ Koel de compartimenten op hoge instellingen voor voordat u het voedsel erin zet. De 'Power-Freeze'-functie helpt om de compartimenten snel af te koelen.
- ▶ De temperatuur van de koelkast en de vriezer worden automatisch ingesteld op respectievelijk 5°C en -18°C. Dit zijn de aanbevolen instellingen. Als u wilt, kunt u deze temperaturen handmatig veranderen. Raadpleeg DE TEMPERATUUR AANPASSEN.

#### Installatie

- ▶ Het apparaat moet op een goed geventileerde plaats worden geplaatst. Zorg voor een ruimte van ten minste 10 cm boven en rond het apparaat.
- ▶ Plaats het apparaat nooit in een vochtige ruimte of op een plaats waar het met water kan worden bespat. Reinig en droog waterspatten en vlekken met een zachte, schone doek.
- ▶ Installeer het apparaat niet in direct zonlicht of in de buurt van warmtebronnen (bijv. kachels, verwarmingstoestellen).
- ▶ Installeer het apparaat waterpas op een plaats die geschikt is voor de grootte en het gebruik ervan.
- ▶ Zorg ervoor dat de ventilatieopeningen in het apparaat of in de ingebouwde constructie open blijven.
- ▶ Controleer of de elektrische informatie op het typeplaatje overeenkomt met de stroomvoorziening. Als dat niet het geval is, neem dan contact op met een elektricien.
- ▶ Het apparaat wordt gebruikt met een voeding van 220–240 VAC/50 Hz. Abnormale spanningsschommelingen kunnen ertoe leiden dat het apparaat niet start of dat de temperatuurregeling of de compressor beschadigd raakt of dat er tijdens het gebruik een abnormaal geluid optreedt. In dat geval moet er een automatische regelaar worden gemonteerd.
- ▶ Gebruik geen stekkerdozen en verlengkabels.
- ▶ Plaats niet meerdere draagbare stopcontacten of draagbare voedingen op de achterkant van het apparaat.
- ▶ Zorg ervoor dat de stroomkabel niet bekneld zit door de koelkast. Ga niet op de stroomkabel staan.



## WAARSCHUWING!

- ▶ Gebruik een apart geaard stopcontact voor de stroomvoorziening, dat gemakkelijk toegankelijk is. Het apparaat moet geaard zijn.  
Alleen voor het Verenigd Koninkrijk: Het netsnoer van het apparaat is voorzien van een 3-aderige (geaarde) stekker die past op een standaard 3-aderig (geaard) stopcontact. De derde pin (aarding) mag nooit worden afgesneden of gedemonteerd. Nadat het apparaat is geïnstalleerd, moet de stekker bereikbaar zijn.
- ▶ Beschadig het koelcircuit niet.

### Dagelijks gebruik

- ▶ Dit apparaat mag worden gebruikt door kinderen vanaf 8 jaar en door personen met verminderde lichamelijke, zintuiglijke of geestelijke vermogens of met een gebrek aan kennis en ervaring, mits zij onder toezicht worden gehouden of instructies hebben gekregen om het apparaat veilig te kunnen gebruiken en de gevaren begrijpen die ermee gepaard gaan.
- ▶ Kinderen van 3 tot 8 jaar mogen wel inladen en uitladen, maar mogen koelapparatuur niet reinigen of installeren.
- ▶ Houd kinderen onder de 3 jaar uit de buurt van het apparaat, tenzij ze voortdurend onder toezicht staan.
- ▶ Kinderen mogen niet met het apparaat spelen.
- ▶ Als er koelgas of ander brandbaar gas in de buurt van het apparaat lekt, moet u het ventiel van het lekkende gas sluiten, de deuren en ramen openen en mag u de stekker van de koelkast of een ander apparaat niet uit het stopcontact halen of in een stopcontact steken.
- ▶ Let op, het apparaat is ingesteld om te werken bij een specifiek omgevingstemperatuurbereik van 10 tot 43°C. Het apparaat kan gedurende lange tijd bij een temperatuur boven of onder het aangegeven bereik niet goed werken.
- ▶ Plaats geen onstabiele voorwerpen (zware voorwerpen, containers gevuld met water) boven op de koelkast, om persoonlijk letsel door vallen of elektrische schokken door contact met water te voorkomen.
- ▶ Trek niet aan de deurschappen. De deur kan scheefgetrokken worden, het flessenrek kan eruit worden getrokken, of het apparaat kan omvallen.
- ▶ Open en sluit de deuren alleen met de handgrepen. De ruimte tussen de deuren en tussen de deuren en de kast is zeer smal. Steek uw handen niet in deze ruimtes, om te voorkomen dat uw vingers bekneld raken. Open of sluit de koelkastdeuren alleen als er geen kinderen zijn die zich binnen het bewegingsbereik van de deur bevinden.



## WAARSCHUWING!

- ▶ Bewaar of gebruik in het apparaat of in de buurt ervan geen brandbare, explosieve of corrosieve materialen.
- ▶ Bewaar geen geneesmiddelen, bacteriën of chemische middelen in het apparaat. Dit is een huishoudelijk apparaat. Het wordt niet aanbevolen om materialen op te slaan die strikte temperaturen vereisen.
- ▶ Bewaar vloeistoffen in flessen of blikjes (met uitzondering van sterke drank), met name koolzuurhoudende dranken, nooit in de vriezer, omdat deze tijdens het invriezen barsten.
- ▶ Controleer de staat van het voedsel als er sprake van opwarming is geweest in de vriezer.
- ▶ Stel de temperatuur in het koelkastgedeelte niet onnodig laag in. Bij een hoge instelling kunnen temperaturen onder nul optreden. Let op: Flessen kunnen barsten
- ▶ Raak geen bevroren producten aan met natte handen (draag handschoenen). Eet vooral ijsjes niet onmiddellijk na verwijdering uit het vriezergedeelte op. Er bestaat het risico op bevriezing of vriesblaren. Eerste hulp: houd onmiddellijk onder de koude kraan. Niet lostrekken!
- ▶ Raak het binnenoppervlak van het vriezergedeelte niet aan wanneer het in werking is, vooral niet met natte handen, omdat uw handen aan het oppervlak vast kunnen vriezen.
- ▶ Haal de stekker van het apparaat uit het stopcontact wanneer er een stroomonderbreking optreedt of voordat u het schoonmaakt. Laat het apparaat minstens 7 minuten rusten voordat u het opnieuw opstart, omdat vaak starten de compressor kan beschadigen.
- ▶ Gebruik geen elektrische toestellen in de bewaarruimten voor levensmiddelen van het apparaat, tenzij deze van het type zijn dat door de fabrikant wordt aanbevolen. Onderhoud/reiniging
- ▶ Zorg ervoor dat kinderen onder toezicht staan als ze schoonmaak en onderhoud uitvoeren.
- ▶ Haal de stekker van het apparaat uit het stopcontact voordat u routineonderhoud uitvoert. Laat het apparaat minstens 5 minuten rusten voordat u het opnieuw opstart, omdat vaak starten de compressor kan beschadigen.



## WAARSCHUWING!

- ▶ Houd de stekker vast, niet het snoer, wanneer u de stekker uit het stopcontact haalt.
- ▶ Reinig het apparaat niet met harde borstels, draadborstels, waspoeder, benzine, amylocetaat, aceton en soortgelijke organische oplossingen, zure of alkalische oplossingen. Reinig het apparaat met een speciaal reinigingsmiddel voor koelkasten om schade te voorkomen.
- ▶ Schraap vorst en ijs niet af met scherpe voorwerpen. Gebruik geen sprays, elektrische verwarmingstoestellen zoals haardrogers, stoomreinigers of andere warmtebronnen om schade aan de kunststof onderdelen te voorkomen.
- ▶ Gebruik geen mechanische apparaten of andere middelen om het ontdoeien te versnellen, behalve als deze door de fabrikant worden aanbevolen.
- ▶ Als het netsnoer beschadigd is, moet het worden vervangen door de fabrikant, diens servicevertegenwoordiger of vergelijkbaar gekwalificeerde personen om gevaar te voorkomen.
- ▶ Probeer het apparaat niet zelf te repareren, te demonteren of te wijzigen. In geval van reparatie kunt u contact opnemen met onze klantenservice.
- ▶ Verwijder het stof aan de achterkant van het toestel ten minste eenmaal per jaar om brandgevaar en een verhoogd energieverbruik te voorkomen.
- ▶ Spuit niet op het apparaat en spoel het niet af tijdens het reinigen.
- ▶ Gebruik geen waterstraal of stoom om het apparaat schoon te maken.
- ▶ Reinig de koude glazen planken niet met heet water. Door plotselinge temperatuurveranderingen kan het glas breken.

## Informatie over koelgas



## WAARSCHUWING!

Het apparaat bevat het brandbare koelmiddel ISOBUTAAN (R600a). Controleer of het koelcircuit tijdens transport of installatie niet is beschadigd. Lekkend koelmiddel kan oogletsel veroorzaken of ontbranden. Als er schade is opgetreden, weghouden van open vuurbronnen, de kamer grondig ventileren, de stekker van het apparaat of enig ander apparaat niet in het stopcontact steken of eruit halen. Informeer de klantenservice.

Als de ogen in contact komen met het koelmiddel, spoel het dan onmiddellijk onder stromend water af en bel onmiddellijk de oogspecialist.

## Beoogd gebruik

Dit apparaat is bedoeld voor het koelen en invriezen van voedsel. Het is uitsluitend ontworpen voor gebruik in huishoudelijke en soortgelijke toepassingen, zoals personeelskeukens in winkels, kantoren en andere werkomgevingen; op boerderijen en door gasten in hotels/motels en andere woonomgevingen, maar ook in bed and breakfasts en bij cateringbedrijven. Het is niet bedoeld voor commercieel of industrieel gebruik.

Wijzigingen of aanpassingen aan het apparaat zijn niet toegestaan. Onbedoeld gebruik kan risico's en verlies van garantieclaims veroorzaken.

## Normen en richtlijnen

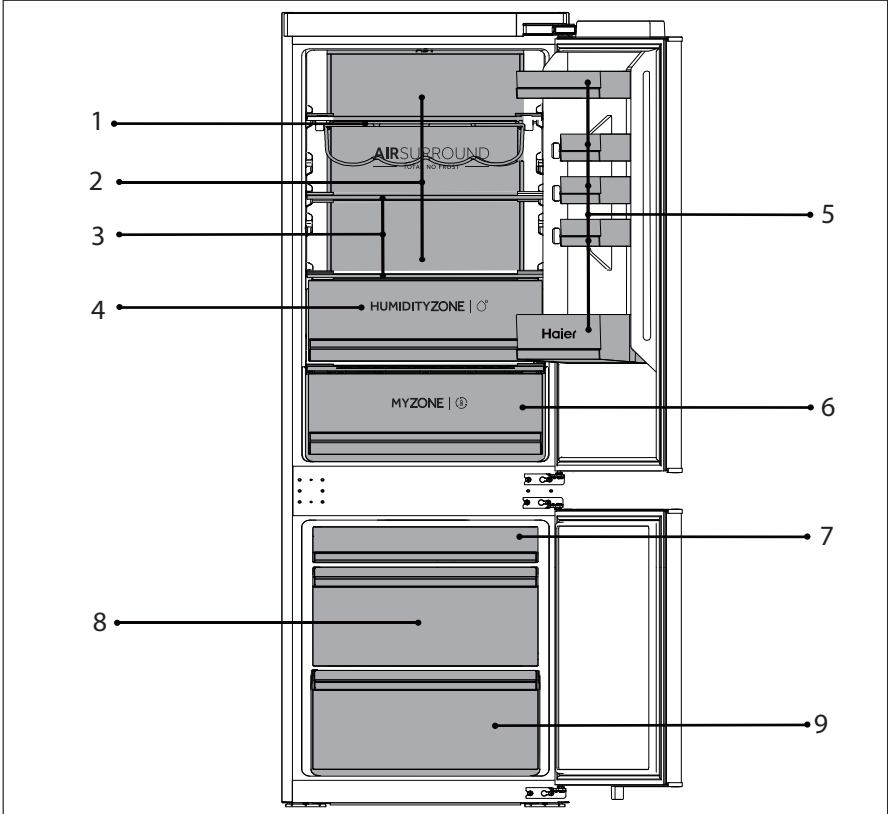


Dit product voldoet aan de eisen van alle toepasselijke EG-richtlijnen met de bijbehorende geharmoniseerde normen die voorzien in een CE-markering.



**LET OP**

Door technische wijzigingen en verschillende modellen kunnen sommige afbeeldingen in deze handleiding afwijken van uw model.

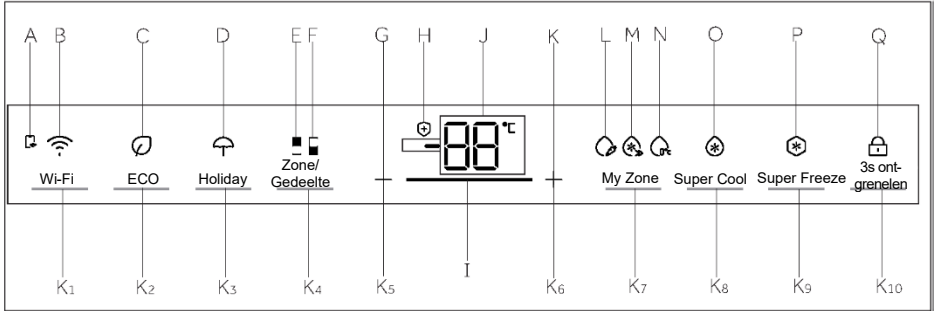
**HBW7518C/HBW7518DT****A: Koelruimte**

- 1 Wijnrek
- 2 Gekoeld luchtkanaal
- 3 Gewone planken
- 4 Humidity Zone-lade
- 5 Flessenhouder
- 6 MyZone-lade

**B: Vriezerruimte**

- 7 Bovenste vriezerlade
- 8 Middelste vriezerlade
- 9 Onderste vriezerlade

## Bedieningspaneel



### Indicatoren:

- A Mobiele APP-verbinding
- B Wififunctie
- C ECO-functie
- D Functie 'Holiday'
- E Koelkastindicator
- F Vriezerindicator
- G Temperatuurinstelling "-"
- H Bacteriedodende functie
- I Weergave sterkte vermogenseffect
- J Temperatuurweergave
- K Temperatuurinstelling "+"
- L Functie Fruit&Veg
- M QuickCool-functie
- N 0°C Fresh-functie
- O Super Cool-functie
- P Super Freeze-functie
- Q Vergrendelen en ontgrendelen

### Toetsen:

- K<sub>1</sub> Wifi-instelknop
- K<sub>2</sub> ECO-functieknop
- K<sub>3</sub> Holiday-functieknop
- K<sub>4</sub> Zoneselectieknop
- K<sub>5</sub> Temperatuurinsteltoets "-"
- K<sub>6</sub> Temperatuurinsteltoets "+"
- K<sub>7</sub> My Zone-functiekeuzeknop
- K<sub>8</sub> Super Cool selectieknop
- K<sub>9</sub> Super Freeze selectieknop
- K<sub>10</sub> Knop vergrendelen en ontgrendelen

## Sensortoetsen

De toetsen op het bedieningspaneel zijn sensortoetsen, die al reageren als ze licht met de vinger worden aangeraakt.

## Het apparaat in-/uitschakelen

Het apparaat werkt zodra het op de voeding is aangesloten.

Wanneer de koelkast voor het eerst wordt ingeschakeld, licht de indicator "J" (Temperatuurweergave) op. De temperatuur van de koelkast en de vriezer worden automatisch ingesteld op respectievelijk 5°C en -18°C. De indicator "M" (QuickCool-display) gaat branden.

De My zone wordt automatisch ingesteld op de QuickCool-functie.

Mogelijk is de paneelvergrendeling actief.



## LET OP

Wanneer het apparaat wordt ingeschakeld nadat de stekker uit het stopcontact is gehaald, kan het tot wel 12 uren duren voordat de juiste temperaturen zijn bereikt.

Leeg het apparaat voordat u het uitschakelt. Trek het netsnoer uit het stopcontact om het apparaat uit te schakelen.

### Paneel vergrendelen/ontgrendelen

Automatische vergrendeling: Wanneer de koelkastdeur en de vriezerdeur gesloten zijn en er binnen 30 seconden geen toetsbediening is, gaat het display automatisch uit en wordt het vergrendeld.

Handmatige vergrendeling: Wanneer het display is ontgrendeld, drukt u op de toets "K<sub>10</sub>" (3S ontgrendelen) en houdt u deze 3 seconden ingedrukt. De zoemer klinkt eenmaal, de indicator 'Q' (paneelvergrendeling) gaat branden en het display wordt vergrendeld.

Ontgrendelen: Wanneer het scherm vergrendeld is, druk dan op de knop "K<sub>10</sub>" (3S Unlock) en houd deze gedurende 3 seconden ingedrukt, de zoemer gaat één keer af, de indicator "Q" (Panel lock) gaat uit en het scherm wordt ontgrendeld.

### De temperatuur aanpassen

De binnentemperaturen worden beïnvloed door de volgende factoren:

Omgevingstemperatuur, Frequentie van openen van deur, Hoeveelheid opgeslagen voedsel Installatie van het apparaat.

### De koelkasttemperatuur aanpassen

Wanneer het scherm is ontgrendeld, drukt u op de toets "K<sub>4</sub>" (keuzetoets zone). De zoemer klinkt eenmaal, de indicator "E" (koelkastindicator) gaat branden en dan verschijnt de temperatuurinstelmodus van de koelkast.

Steeds wanneer u op de toets "K<sub>5</sub>" (temperatuurinsteltoets "-") drukt, klinkt de zoemer eenmaal en wordt de ingestelde temperatuur van de koelkast verlaagd met 1. De koelkasttemperatuur wordt weergegeven in de volgorde van "9°C -> 8°C -> 7°C -> 6°C -> 5°C -> 4°C -> 3°C -> 2°C -> 1°C".

Steeds wanneer u op de toets "K<sub>6</sub>" (temperatuurinsteltoets "+") drukt, klinkt de zoemer eenmaal en wordt de ingestelde temperatuur van de koelkast verhoogd met 1. De koelkasttemperatuur wordt weergegeven in de volgorde van "1°C -> 2°C -> 3°C -> 4°C -> 5°C -> 6°C -> 7°C -> 8°C -> 9°C".



## LET OP

Na het instellen van de temperatuur, als er binnen 5 seconden geen handeling plaatsvindt, wordt het systeem automatisch bepaald en de ingestelde temperatuur opgeslagen.

## De vriezer temperatuur aanpassen

Wanneer het scherm is ontgrendeld, drukt u op de toets "K<sub>4</sub>" (keuzetoets zone). De zoemer klinkt eenmaal, de indicator "F" (vriezerindicator) gaat branden en dan verschijnt de temperatuurinstelmodus van de vriezer.

Steeds wanneer u op de toets "K<sub>5</sub>" (temperatuurinsteltoets "-") drukt, klinkt de zoemer eenmaal en wordt de ingestelde temperatuur van de vriezer verlaagd met 1. De vriezer temperatuur wordt weergegeven in de volgorde van "-14°C -> -15°C -> -16°C -> -17°C -> -18°C -> -19°C -> -20°C -> -21°C -> -22°C -> -23°C -> -24°C". Steeds wanneer u op de toets "K<sub>6</sub>" (temperatuurinsteltoets "+") drukt, klinkt de zoemer eenmaal en wordt de ingestelde temperatuur van de vriezer verhoogd met 1. De vriezer temperatuur wordt weergegeven in de volgorde van "-24°C -> -23°C -> -22°C -> -21°C -> -20°C -> -19°C -> -18°C -> -17°C -> -16°C -> -15°C -> -14°C".







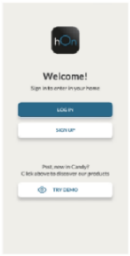

### LET OP

Na het instellen van de temperatuur, als er binnen 5 seconden geen handeling plaatsvindt, wordt het systeem automatisch bepaald en de ingestelde temperatuur opgeslagen.

## Wififunctie

1. Wanneer het display ontgrendeld is, drukt u op de knop "K<sub>1</sub>" (Wi-Fi-functieknop), de zoemer klinkt eenmaal, de indicator "B" (Wi-Fi-functie) blijft branden totdat er verbinding is gemaakt. Nadat de verbinding tot stand is gebracht, houdt u deze lange tijd aan, waarna de Wi-Fi-functie wordt ingeschakeld.
2. Wanneer het display ontgrendeld is, drukt u op de knop "K<sub>1</sub>" (Wi-Fi-functieknop), de zoemer klinkt eenmaal, de indicator "B" (Verbindingsfunctie) gaat uit en vervolgens wordt de Wi-Fi-functie uitgeschakeld.

## KOPPELINGSPROCEDURE IN DE APP

<p>Stap 1 • Download de hOn-app in de stores</p>    	
<p>Stap 2 Maak een account aan in de hOn-app of log in als u al een account heeft</p> 	<p>Stap 3 Volg de koppelinstructions in de hOn-app</p> 

## ECO-functie

1. Wanneer het display ontgrendeld is, drukt u op de knop "K<sub>2</sub>" (knop ECO-functie), de zoemer klinkt eenmaal, de indicator "C" (ECO-functie) gaat branden en vervolgens wordt de ECO-functie ingeschakeld.
2. Wanneer het display ontgrendeld is, drukt u op de knop "K<sub>2</sub>" (knop ECO-functie), de zoemer klinkt eenmaal, de indicator "C" (ECO-functie) gaat uit en vervolgens wordt de ECO-functie uitgeschakeld.

## Functie 'Holiday'

1. Wanneer het display ontgrendeld is, drukt u op de toets "K<sub>3</sub>" (knop Holiday-functie), de zoemer klinkt eenmaal, de indicator "D" (Holiday-functie) gaat branden en de Holiday-functie wordt ingeschakeld.
2. Wanneer het display ontgrendeld is, drukt u op de knop "K<sub>3</sub>" (knop Holiday-functie), de zoemer klinkt eenmaal, de indicator "D" (Holiday-functie) gaat uit en vervolgens wordt de Holiday-functie uitgeschakeld.

## LET OP

1. De Holiday-functie wordt voornamelijk gebruikt voor korte reizen en andere levensomstandigheden, en de koelkastruimte moet worden leeggemaakt wanneer de Holiday-functie wordt gebruikt.
2. In de Holiday-functie is de temperatuur van de koelkastruimte hoger (ongeveer 17°C). Let erop dat u het voedsel uit de koelkastruimte verwijdert om bederf van het voedsel te voorkomen.
3. Met de Holiday-functie wordt de instelling van de pictogrammen voor "Fruit&Veg, QuickCool en 0°C Fresh" in My Zone uitgeschakeld en kan de temperatuur van My Zone niet worden aangepast. Na het verlaten van de Holiday-functie zullen het koelkastgedeelte en My Zone de vorige instelling weergegeven.

## Super Cool-functie

1. Wanneer het display is ontgrendeld, drukt u op de toets "K<sub>8</sub>" (keuzetoets Super Cool). De zoemer klinkt eenmaal, de indicator "O" (Super Cool-functie) gaat branden en de Super Cool-functie wordt ingeschakeld.
2. Wanneer de indicator "O" (Super Cool-functie) brandt, drukt u op de toets "K<sub>8</sub>" (keuzetoets Super Cool). De zoemer klinkt eenmaal, de indicator "O" (Super Cool-functie) gaat uit en de Super Cool-functie wordt uitgeschakeld.
3. Nadat de Super Cool-functie is ingeschakeld, schakelt de koelkast de functie automatisch uit wanneer deze de ingestelde temperatuur bereikt. Als u handmatig wilt afsluiten, kunt u op de knop "K<sub>8</sub>" drukken (keuzetoets Super Cool) om de functie uit te schakelen.



## LET OP

1. In de Super Cool-toestand kan de koelkasttemperatuur niet worden aangepast. Als de toets "K<sub>5</sub>" (temperatuurinsteltoets "-") of toets "K<sub>6</sub>" (temperatuurinsteltoets "+") wordt ingedrukt om de temperatuur van de koelkast aan te passen, knippert de indicator "O" (Super Cool-indicator) met een waarschuwingsgeluid om aan te geven dat deze handeling niet kan worden uitgevoerd.
2. In de Super Cool-functie kan de functie Auto-Set niet tegelijkertijd worden ingeschakeld vanwege verschillende bedieningsmodi. Wanneer u een functie kiest die in strijd is met een andere functie, zal de oorspronkelijke functie automatisch worden verlaten.
3. Deze functie wordt na 4 uur automatisch uitgeschakeld.

## Super Freeze-functie

1. Wanneer het display ontgrendeld is, drukt u op de toets "K<sub>9</sub>" (keuzetoets Super Freeze), de zoemer klinkt eenmaal, de indicator "P" (Super Freeze-functie) gaat branden en de Super Freeze-functie wordt ingeschakeld.
2. Wanneer de indicator "P" (Super Freeze-functie) brandt, drukt u op de toets "K<sub>9</sub>" (keuzetoets Super Freeze). De zoemer klinkt eenmaal, de indicator "P" (Super Freeze-functie) gaat uit en de Super Freeze-functie wordt uitgeschakeld.

3. Nadat de Super Freeze-functie is ingeschakeld, schakelt de koelkast de functie automatisch uit wanneer deze de ingestelde temperatuur bereikt. Als u handmatig wilt afsluiten, kunt u op de knop "K<sub>9</sub>" drukken (keuzetoets Super Freeze) om de functie uit te schakelen.



## LET OP

1. In de Super Freeze-toestand kan de vriezertemperatuur niet worden aangepast. Als de toets "K<sub>5</sub>" (temperatuurinsteltoets "-") of toets "K<sub>6</sub>" (temperatuurinsteltoets "+") wordt ingedrukt om de temperatuur van de vriezer aan te passen, knippert de indicator "P" (Super Freeze-indicator) met een waarschuwingsgeluid om aan te geven dat deze handeling niet kan worden uitgevoerd.
2. De Super Freeze-functie is ontworpen om de voedingswaarden van bevroren voedsel te behouden; voedsel wordt in de kortste tijd ingevroren. Als er grote hoeveelheden diepvriesvoedsel in één keer moeten worden ingevroren. Ondertussen moet de Super Freeze-functie 24 uur van tevoren worden ingesteld, zodat de vriezer een relatief lage temperatuur heeft voordat er voedsel in kan worden geplaatst. Op dat moment is de vriessnelheid van de vriezer verbeterd, kan voedsel snel worden ingevroren, worden de voedingswaarden van het voedsel effectief behouden en wordt de opslag heel handig.
3. De Super Freeze-functie schakelt na 50 uur automatisch uit. Het apparaat werkt dan op de eerder ingestelde temperatuur.

## Functie My Zone selecteren

Wanneer het display ontgrendeld is, drukt u op de knop "K<sub>7</sub>" (selectieknop voor de My Zone-functie), de zoemer klinkt eenmaal, de indicator "L" (Fruit&Veg-functie) gaat branden en vervolgens wordt de Fruit&Veg-functie ingeschakeld. Als een van de knoppen "K<sub>7</sub>" wordt ingedrukt om de functie My Zone te selecteren, klinkt de zoemer nogmaals en gaat de indicator "M" (Quick Cool-functie) branden, waarna de QuickCool-functie wordt ingeschakeld. De functieopties van My Zone zijn achtereenvolgens "Fruit&Veg, QuickCool en 0°C Fresh".



## LET OP

1. Wanneer de koelkast voor het eerst wordt ingeschakeld, gaat de indicator "L" branden en wordt My Zone automatisch ingesteld op de QuickCool-functie. Een van de drie My Zone-indicatoren moet branden. Wanneer u de functie My Zone opnieuw selecteert, kan de My Zone-indicator die al brandt niet worden geselecteerd. Slechts één van de drie functies kan worden geconfigureerd. De drie functies sluiten elkaar uit.
2. De ingestelde My Zone opslagtemperatuur kan niet hoger zijn dan de ingestelde koelkasttemperatuur.
3. Gebruik de functie 0°C Fresh om de temperatuur van het koelkastgedeelte te verlagen. Gebruik de functie Fruit&Veg om de temperatuur te verhogen.

## My Zone-lade

Het koelkastgedeelte is voorzien van een My Zone-lade. In overeenstemming met de vereisten voor het bewaren van voedsel kan de meest geschikte temperatuur worden geselecteerd om de optimale voedingswaarde van de voeding te verkrijgen. De volgende modi zijn beschikbaar.

### Functie Fruit&Veg

Deze functie is geschikt voor het bewaren van fruit en groenten, zoals appels en wortels, enz.

### Functie QuickCool

Deze functie is geschikt voor het bewaren van dranken zoals cola en bier enz.



## LET OP: Fruit&Veg

Koudegevoelig fruit zoals ananas, avocado's, bananen, grapefruits en groenten zoals aardappelen, aubergines, bonen, komkommers, courgettes en tomaten en kaas mogen niet in de My Zone-lade worden bewaard.

### Functie 0°C Fresh

Deze functie zet de temperatuur in de My Zone-lade op 0°C. Geschikt voor het bewaren van vers voedsel zoals vlees of kant-en-klaar producten. De meeste voedingsmiddelen blijven vers bij 0°C, maar bevriezen niet.



## LET OP: 0°C Fresh

1. Door de verschillende vochtgehalten van vlees, zal vlees met meer vocht bevriezen bij temperaturen lager dan 0°C. "Vers gesneden" vlees moet dus worden bewaard in de My Zone-lade, met temperaturen min 0°C.
2. Als u voor 0°C Fresh kiest, stelt u de temperatuur van het koelkastgedeelte op het laagste niveau (lager dan 5°C) in om uw voedsel in de optimale bewaaromgeving te bewaren.

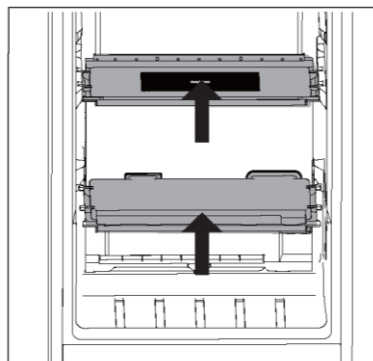
## Humidity Zone-lade

In dit gedeelte is de vochtigheidsgraad hoger dan in het koelkastgedeelte. Het wordt automatisch bestuurd door het systeem en is geschikt voor het bewaren van fruit, groenten, salades, enz.

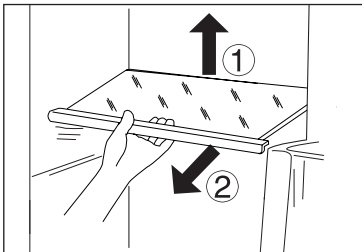
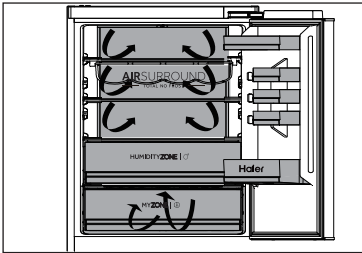


## LET OP

1. Verwijder de plastic deksels in de twee zones niet.
2. Ze houden de luchtvochtigheid in stand.
3. Het wordt niet aanbevolen om koudegevoelige vruchten zoals ananas, avocado, bananen en grapefruits in deze twee laden te bewaren.







### Meervoudige luchtstroom

1. De koelkast is uitgerust met een meervoudige-luchtstroomsysteem, waarmee er op elke plank koele luchtstromen zijn. Dit helpt om een gelijkmatige temperatuur te handhaven om ervoor te zorgen dat uw voedsel langer vers blijft.

### Verstelbare planken

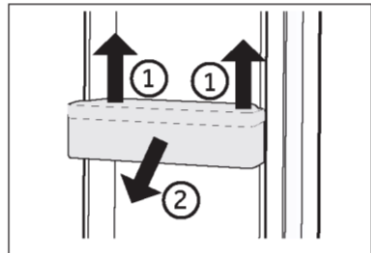
1. De hoogte van de planken kan worden aangepast aan uw opslagbehoeften.
2. Om een plank te verplaatsen, verwijdert u hem eerst door de achterrand ① op te tillen en de plank eruit ② te trekken.
3. Om hem weer te installeren, plaatst u hem op de nokjes aan beide kanten en duwt u hem helemaal naar achteren tot de achterkant van de plank vastzit in de gleuven in de zijkanten.

### **i** LET OP

Zorg ervoor dat alle kanten van een plank vlak zijn.

### Verwijderbare deurrekken/fleshouder

1. De deurrekken kunnen worden verwijderd om te worden schoongemaakt:
2. Plaats uw handen aan beide kanten van het rek, til het omhoog ① en trek het eruit ②.
3. Voer de bovenstaande stappen in omgekeerde volgorde uit om het deurrek weer terug te plaatsen.



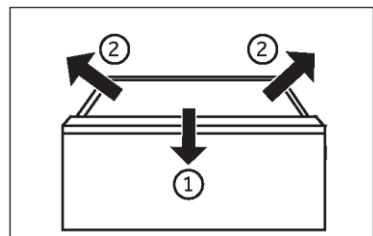
### **i** LET OP

Als het apparaat is ingeschakeld, kan het tot 12 uur duren voordat de juiste temperaturen worden bereikt.

### Verwijderbare lade

Om de lade te verwijderen, trekt u deze zo ver mogelijk naar buiten ①, daarna optillen en verwijderen ②

Voer de bovenstaande stappen in omgekeerde volgorde uit om lade weer terug te plaatsen.



### De verlichting

De led-binnenverlichting gaat branden als de deur wordt geopend. De werking van de verlichting wordt niet beïnvloed door een van de andere instellingen van het apparaat.



## Tips voor energiebesparing

- ▶ Zorg ervoor dat het apparaat goed wordt geventileerd (raadpleeg INSTALLATIE).
- ▶ Installeer het apparaat niet in direct zonlicht of in de buurt van warmtebronnen (bijv. kachels, verwarmingstoestellen).
- ▶ Vermijd onnodig lage temperaturen in het apparaat. Het energieverbruik neemt toe naarmate de temperatuur in het apparaat lager is ingesteld.
- ▶ Functies zoals Super Freeze verbruiken meer energie.
- ▶ Laat warm voedsel afkoelen voordat u het in de koelkast plaatst.
- ▶ Open de deur van het apparaat zo weinig en zo kort mogelijk.
- ▶ Vul het apparaat niet te vol om te voorkomen dat de luchtdoorstroming wordt geblokkeerd.
- ▶ Vermijd lucht in de verpakking van het voedsel.
- ▶ Houd de deurpakking schoon, zodat de deur altijd goed sluit.
- ▶ Ontdooi bevroren voedsel in het koelkastgedeelte.
- ▶ De meest energiebesparende configuratie vereist dat de lades, voedselbakken en planken in fabrieksstaat worden gehouden, en dat voedsel zo diep mogelijk wordt geplaatst zonder dat de openingen van het luchtkanaal worden geblokkeerd.



## WAARSCHUWING!

Haal de stekker van het apparaat uit het stopcontact voordat u het reinigt.

### Reinigen

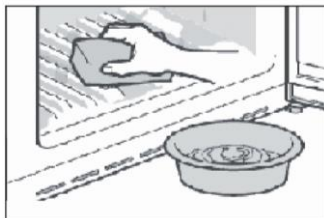
Reinig het apparaat als er weinig of geen voedsel in is opgeslagen.

Het apparaat moet om de vier weken worden schoongemaakt voor een goed onderhoud en om nare voedselgeuren te voorkomen.



## WAARSCHUWING!

- ▶ Reinig het apparaat niet met harde borstels, draadborstels, waspoeder, benzine, amylacetaat, aceton en soortgelijke organische oplossingen, zure of alkalische oplossingen. Reinig het apparaat met een speciaal reinigingsmiddel voor koelkasten om schade te voorkomen.
- ▶ Spuit niet op het apparaat en spoel het niet af tijdens het reinigen.
- ▶ Gebruik geen waterstraal of stoom om het apparaat schoon te maken.
- ▶ Reinig de koude glazen planken niet met heet water. Door plotselinge temperatuurveranderingen kan het glas breken.
- ▶ Raak het binnenoppervlak van het vriezergedeelte niet aan, vooral niet met natte handen, omdat uw handen aan het oppervlak vast kunnen vriezen.
- ▶ Controleer in geval van opwarming de toestand van de ingevroren producten.



- ▶ Houd de deuropakking altijd schoon.
- ▶ Reinig de binnenkant en behuizing van het apparaat met een spons die is bevochtigd in warm water en een neutraal reinigingsmiddel.
- ▶ 1. Was de binnenkant en buitenkant van de koelkast, waaronder deurrubbers, deurrek, glazen planken, bakken enzovoort, met een zachte handdoek of spons die in warm water is gedrenkt (u mag een neutraal schoonmaakmiddel toevoegen aan het warme water).
- ▶ 2. Als er vloeistof is gemorst, verwijder dan alle verontreinigde onderdelen en spoel ze direct af met het stromend water. Daarna afdrogen en terug in de koelkast plaatsen.
- ▶ 3. Als er room (zoals koffiemelk, smeltend ijs) wordt gemorst, moeten alle verontreinigde delen worden verwijderd. Zet ze een tijdje in warm water van ongeveer 40°C en spoel vervolgens af met stromend water. Daarna afdrogen en terug in de koelkast plaatsen.
- ▶ 4. Als een klein onderdeel vast komt te zitten aan de binnenkant van de koelkast (tussen schappen of laden), gebruik dan een kleine zachte borstel om het los te maken. Als u niet bij het onderdeel kunt komen, neem dan contact op met de klantenservice van Haier
- ▶ Spoel af en droog af met een zachte doek.
- ▶ Reinig de onderdelen van het apparaat niet in een vaatwasser.
- ▶ Laat het apparaat minstens 5 minuten rusten voordat u het opnieuw opstart, omdat vaak opstarten de compressor kan beschadigen.

### Ontdooien

Het ontdooien van de koelkast en het vriezergedeelte gebeurt automatisch; er is geen handmatige actie nodig.

## De ledlampjes vervangen



### WAARSCHUWING!

Vervang de ledlamp niet zelf, deze mag alleen worden vervangen door de fabrikant of door de erkende servicevertegenwoordiger.

De lamp heeft een led als lichtbron, met een laag energieverbruik en een lange levensduur. Als er sprake is van een afwijking, neem dan contact op met de klantenservice. Zie KLANTENSERVICE.

Parameters van de lampen:

Koelkastgedeelte: 12 V max. 2 W

Vriezergedeelte: 12 V max. 2 W

### Geen gebruik voor een langere periode

Als het apparaat gedurende langere tijd niet wordt gebruikt en u de functie Holiday voor de koelkast niet zult gebruiken:

Haal het voedsel eruit.

Haal de stekker van het netsnoer uit het stopcontact.

Reinig het apparaat zoals hierboven beschreven.

Houd de deuren open om de vorming van nare geuren binnenin te voorkomen.



### LET OP

Schakel het apparaat alleen uit als dat echt nodig is.

### Het apparaat verplaatsen

1. Verwijder alle etenswaren en haal de stekker van het apparaat uit het stopcontact.
2. Maak planken en andere beweegbare delen in de koelkast en vriezer vast met plakband.
3. Kantel de koelkast niet meer dan 45° om schade aan het koelsysteem te voorkomen.



### WAARSCHUWING!

- ▶ Til het apparaat niet op aan de grepen.
- ▶ Plaats het apparaat nooit horizontaal op de grond.

Veel problemen kunnen door uzelf worden opgelost zonder specifieke expertise. Raadpleeg in geval van een probleem alle getoonde mogelijkheden en volg de onderstaande instructies voordat u contact opneemt met de klantenservice. Zie **KLANTENSERVICE**.



## WAARSCHUWING!

- ▶ Schakel het apparaat uit voordat u onderhoud uitvoert en haal de stekker uit het stopcontact.
- ▶ Elektrische apparatuur mag alleen worden onderhouden door gekwalificeerde elektrische experts, omdat onjuiste reparaties aanzienlijke gevolgschade kunnen veroorzaken.
- ▶ Als de voeding beschadigd is, mag deze alleen worden vervangen door de fabrikant, diens servicevertegenwoordiger of vergelijkbaar gekwalificeerde personen om gevaar te voorkomen.

Probleem	Mogelijke oorzaak	Mogelijke oplossing
De compressor werkt niet.	<ul style="list-style-type: none"> <li>• De netstekker is niet aangesloten op het stopcontact.</li> <li>• Het apparaat is aan het ontdooien.</li> </ul>	<ul style="list-style-type: none"> <li>• Steek de stekker in het stopcontact.</li> <li>• Dit is normaal voor automatisch ontdooien.</li> </ul>
Het apparaat loopt vaak of te lang.	<ul style="list-style-type: none"> <li>• De binnen- of buitentemperatuur is te hoog.</li> <li>• Het apparaat is een tijd lang niet ingeschakeld geweest.</li> <li>• Een deur van het apparaat is niet goed gesloten.</li> <li>• De deur is te vaak of te lang geopend.</li> <li>• De temperatuurinstelling voor het vriezergedeelte is te laag.</li> <li>• De deurpakkingen zijn vuil, versleten, gebarsten of niet goed op elkaar afgestemd.</li> <li>• De vereiste luchtcirculatie is niet gegarandeerd.</li> </ul>	<ul style="list-style-type: none"> <li>• In dit geval is het normaal dat het apparaat langer werkt.</li> <li>• Normaal gesproken duurt het 8–12 uur voordat het apparaat volledig is afgekoeld.</li> <li>• Sluit de deur/lade en zorg ervoor dat het apparaat op een vlakke ondergrond staat en dat er geen etenswaren of voedselbakjes de deur blokkeren.</li> <li>• Open de deur/lade niet te vaak.</li> <li>• Stel de temperatuur hoger in totdat een toereikende koelkasttemperatuur is bereikt. Het duurt 24 uur voordat de koelkasttemperatuur stabiel is.</li> <li>• Reinig de deur-/ladepakkingen of laat ze vervangen door de klantenservice.</li> <li>• Zorg voor voldoende ventilatie.</li> </ul>
De binnenkant van de koelkast is vies en/of stinkt.	<ul style="list-style-type: none"> <li>• De binnenkant van de koelkast moet worden schoongemaakt.</li> <li>• Er wordt voedsel met een sterke geur bewaard in de koelkast.</li> </ul>	<ul style="list-style-type: none"> <li>• Reinig de binnenkant van de koelkast.</li> <li>• Verpak het voedsel goed.</li> </ul>

Probleem	Mogelijke oorzaak	Mogelijke oplossing
Het is niet koud genoeg in het apparaat	<ul style="list-style-type: none"> <li>• De temperatuur is te hoog ingesteld.</li> <li>• Er zijn te warme producten opgeslagen.</li> <li>• Er is te veel voedsel in één keer bewaard.</li> <li>• De producten zijn te dicht bij elkaar geplaatst.</li> <li>• Een deur/lade van het apparaat zit niet goed dicht.</li> <li>• De deur/lade is te vaak of te lang geopend.</li> </ul>	<ul style="list-style-type: none"> <li>• Stel de temperatuur opnieuw in.</li> <li>• Koel de producten altijd af voordat u ze opbergt.</li> <li>• Bewaar altijd kleine hoeveelheden voedsel.</li> <li>• Laat een gat tussen verschillende voedingsmiddelen waardoor lucht kan stromen.</li> <li>• Sluit de deur/lade.</li> <li>• Open de deur/lade niet te vaak.</li> </ul>
Het is te koud in het apparaat.	<ul style="list-style-type: none"> <li>• De temperatuur is te laag ingesteld.</li> <li>• De Super Freeze-/Super Cool-functie wordt geactiveerd of loopt te lang.</li> </ul>	<ul style="list-style-type: none"> <li>• Stel de temperatuur opnieuw in.</li> <li>• Schakel de functie Super Freeze/Super Cool uit.</li> </ul>
Vochtvorming aan de binnenkant van het koelkastgedeelte.	<ul style="list-style-type: none"> <li>• Het klimaat is te warm en te vochtig.</li> <li>• Een deur/lade van het apparaat zit niet goed dicht.</li> <li>• De deur/lade is te vaak of te lang geopend.</li> <li>• Voedselbakjes of vloeistoffen zijn open gelaten.</li> </ul>	<ul style="list-style-type: none"> <li>• Verhoog de temperatuur.</li> <li>• Sluit de deur/lade.</li> <li>• Open de deur/lade niet te vaak.</li> <li>• Laat warm voedsel afkoelen tot kamertemperatuur en dek voedsel en vloeistoffen af.</li> </ul>
Vocht hoopt zich op het oppervlak aan de buitenkant van de koelkast en tussen de deuren/deur en lade op.	<ul style="list-style-type: none"> <li>• Het klimaat is te warm en te vochtig.</li> <li>• De deur is niet goed gesloten. De koude lucht in het apparaat en de warme lucht daarbuiten condenseert.</li> </ul>	<ul style="list-style-type: none"> <li>• Dit is normaal in een vochtig klimaat en zal veranderen wanneer de luchtvochtigheid daalt.</li> <li>• Zorg dat de deur/lade goed dicht zit.</li> </ul>
De displayverlichting werkt maar voelt niet koel aan.	<ul style="list-style-type: none"> <li>• Het bevindt zich in de demomodus.</li> </ul>	<ul style="list-style-type: none"> <li>• Let op in welke staat het zich bevindt. Als het zich in de demomodus bevindt, verlaat u het. Afsluiten: Houd de "ECO"-knop ingedrukt en klik 5 keer in 5 seconden op de "Super Freeze"-toets.</li> </ul>

Probleem	Mogelijke oorzaak	Mogelijke oplossing
Veel ijs en rijp in het vriezergedeelte.	<ul style="list-style-type: none"> <li>• De etenswaren zijn niet goed verpakt.</li> <li>• Een deur/lade van het apparaat zit niet goed dicht.</li> <li>• De deur/lade is te vaak of te lang geopend.</li> <li>• De deur-/ladepakking is vuil, versleten, gebarsten of niet goed op elkaar afgestemd.</li> <li>• Iets aan de binnenkant voorkomt dat de deur/lade goed kan sluiten.</li> </ul>	<ul style="list-style-type: none"> <li>• Verpak de etenswaren altijd goed.</li> <li>• Sluit de deur/lade.</li> <li>• Open de deur/lade niet te vaak.</li> <li>• Reinig de deur-/ladepakkingen of vervang ze door nieuwe.</li> <li>• Verplaats de planken, deurrekken of interne containers zodat de deur/lade kan worden gesloten.</li> </ul>
De zijkanten van de kast en de deurstrip worden warm.	<ul style="list-style-type: none"> <li>• -</li> </ul>	<ul style="list-style-type: none"> <li>• Dit is normaal.</li> </ul>
Het apparaat maakt afwijkende geluiden.	<ul style="list-style-type: none"> <li>• Het apparaat staat niet op een vlakke ondergrond.</li> <li>• Het apparaat raakt voorwerpen rondom.</li> </ul>	<ul style="list-style-type: none"> <li>• Stel de pootjes af om het apparaat waterpas te zetten.</li> <li>• Verwijder voorwerpen rondom het apparaat.</li> </ul>
Er is een licht geluid te horen dat lijkt op dat van stromend water.	<ul style="list-style-type: none"> <li>• -</li> </ul>	<ul style="list-style-type: none"> <li>• Dit is normaal.</li> </ul>
U hoort een alarmpieptoon.	<ul style="list-style-type: none"> <li>• De deur van het koelkastgedeelte staat open.</li> </ul>	<ul style="list-style-type: none"> <li>• Sluit de deur.</li> </ul>
U hoort een zacht gebrom.	<ul style="list-style-type: none"> <li>• Het anticondensatiesysteem is aan het werk.</li> </ul>	<ul style="list-style-type: none"> <li>• Dit voorkomt condensatie en is normaal.</li> </ul>
De binnenverlichting of het koelsysteem werkt niet.	<ul style="list-style-type: none"> <li>• De netstekker is niet aangesloten op het stopcontact.</li> <li>• De voeding is niet intact.</li> <li>• Het ledlampje is buiten werking.</li> </ul>	<ul style="list-style-type: none"> <li>• Steek de stekker in het stopcontact.</li> <li>• Controleer de elektrische voeding naar de kamer. Bel het plaatselijke elektriciteitsbedrijf!</li> <li>• Bel de klantenservice om het lampje te laten vervangen.</li> </ul>

Ga naar onze website om contact op te nemen met de technische dienst:  
<https://corporate.haier-europe.com/en/>.

Kies onder de kop 'website' het merk van uw product en uw land.

U wordt doorgestuurd naar de specifieke website waar u het telefoonnummer en het formulier kunt vinden om contact op te nemen met de technische ondersteuning.

### **Stroomonderbreking**

In het geval van een stroomstoring, zou voedsel ongeveer 5 uur lang veilig koud moeten blijven. Volg

deze tips tijdens een langdurige stroomstoring, vooral in de zomer:

- ▶ Open de deur/lade zo weinig mogelijk.
- ▶ Plaats geen extra voedsel in het apparaat tijdens een stroomstoring.
- ▶ Als een stroomstoring vooraf wordt aangekondigd en de onderbrekingsduur langer is dan 5 uur, maak dan ijs en zet dit in een bak boven in het koelkastgedeelte.
- ▶ Onmiddellijk na de onderbreking is een controle van de producten vereist.
- ▶ Aangezien de temperatuur in de koelkast stijgt tijdens een stroomonderbreking of een andere storing, wordt de bewaarperiode en de eetbare kwaliteit van voedsel nadelig beïnvloed. Alle levensmiddelen die ontdooien moeten worden gegeten, of worden bereid en daarna zo snel mogelijk opnieuw worden ingevroren (indien van toepassing) om gezondheidsrisico's te voorkomen.

### **Geheugenfunctie tijdens de stroomonderbreking**

Na herstel van de stroom gaat het apparaat door met de instellingen die waren ingesteld vóór de stroomonderbreking.



## Uitpakken

**WAARSCHUWING!**

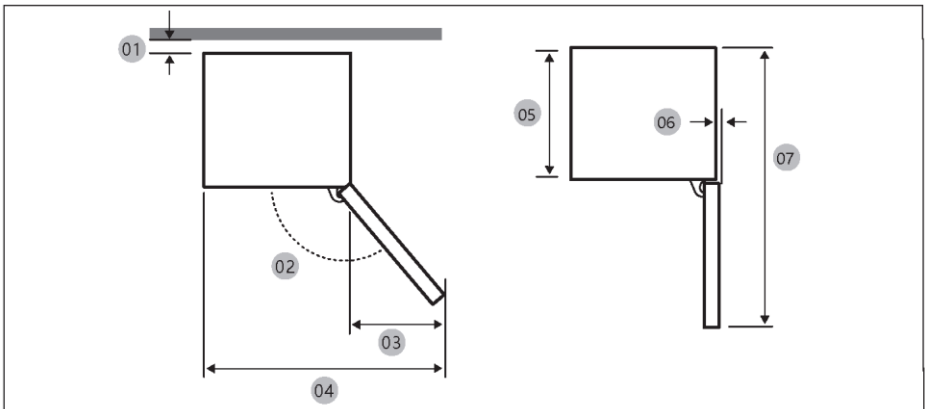
- ▶ Het apparaat is zwaar/ Altijd met minstens twee personen hanteren.
- ▶ Houd alle verpakkingsmaterialen buiten bereik van kinderen en gooi ze op een milieuvriendelijke manier weg.
- ▶ Haal het apparaat uit de verpakking.
- ▶ Verwijder al het verpakkingsmateriaal.

**Omgevingsomstandigheden**

De kamertemperatuur moet altijd tussen 10°C en 43°C liggen, aangezien het de temperatuur in het apparaat en het energieverbruik kan beïnvloeden. Installeer het apparaat niet in de buurt van andere warmtebronnen (ovens, koelkasten) zonder isolatie.

**Benodigde ruimte**

Benodigde ruimte bij geopende deur (Zonder kastdeurpaneel)

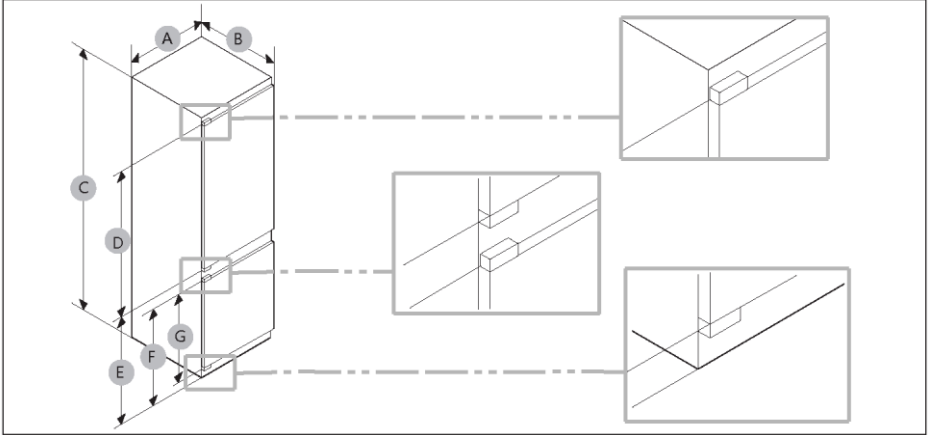


Model	HBW7518C HBW7518DT
01 *	10 (min.) / 30 (aanbevolen)
02	95° (Aanbevolen)
03	43
04	583
05	515
06	-3
07	1060

(eenheid : mm)

\* 01: Van kast tot achterkant product.

**Afmetingen product**



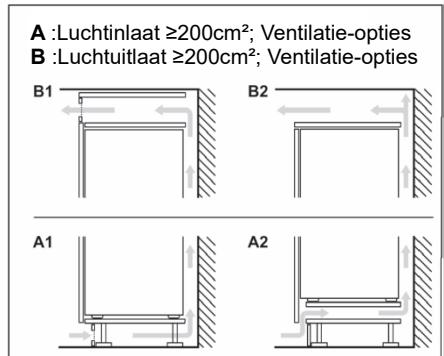
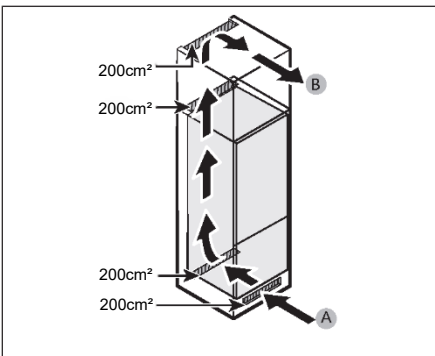
Model	A(mm)	B(mm)	C(mm)	D(mm)	E(mm)	F(mm)	G(mm)
HBW7518C HBW7518DT	540±2	550±2	1772±2	970	745	662	618

**i LET OP**

- Het opgegeven energieverbruik is gebaseerd op een afstand van 10 mm tussen de kast en de achterkant van het product. Het product werkt ook goed bij een afstand van minder dan 10 mm, maar verbruikt wel iets meer energie.
- We raden aan om een kast van 18 mm dik te gebruiken met scharnieren van minder dan 20 mm dik.
- De metingen in de bovenstaande tabel kunnen afwijken, afhankelijk van de meetmethode.
- Raadpleeg de Installatiehandleiding voor de ingebouwde installatie.

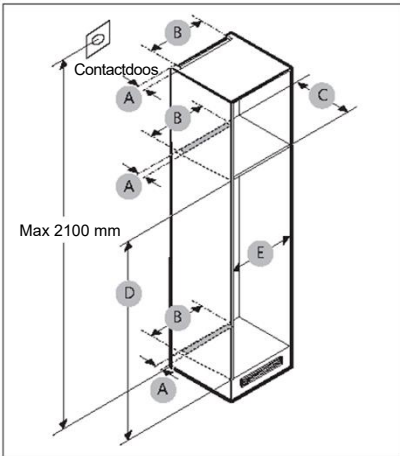
**Doorsnede van ventilatie**

Om voor de veiligheid voldoende ventilatie van het apparaat te bereiken, moet de informatie over de vereiste ventilatiedoorsneden in acht worden genomen.



**A** :Luchtinlaat ≥200cm<sup>2</sup>; Ventilatie-opties  
**B** :Luchtuitlaat ≥200cm<sup>2</sup>; Ventilatie-opties

### Afmetingen kast



### VOORZICHTIG!

Productstoringen als gevolg van het volgende worden niet gedekt door de Garantie.

1. Onjuiste locatieomstandigheden of onjuiste kastafmetingen.
2. Defecte kast.
3. Fouten door de installateur of de gebruiker.

### Vrije ruimte

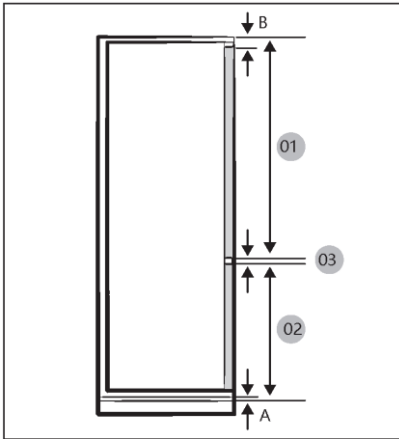
Zie de afbeeldingen en tabellen hieronder voor de benodigde ruimte voor installatie.

Model		A (mm)	B (mm)	C (mm)	D (mm)	E (mm)	Opmerking
HBW7518C HBW7518DT	Min.	50	400	560	1778	560	Scharnier: 17 mm
	Aanbevolen			580	1780	562	
	Max.			-	1782	568	



## LET OP

- Als de breedte van een kast meer is dan 568 mm, kan de pakking (tussen de koelkast en de kast) losraken.
- Als de kast hoger is dan de maximale afmeting (1782 mm), moet u andere afwerkingsmaterialen gebruiken om de tussenruimte op te vullen.



## LET OP

Raadpleeg de onderstaande kastreferentietabel om een kast te installeren die een opening van 4 mm (03) vereist.

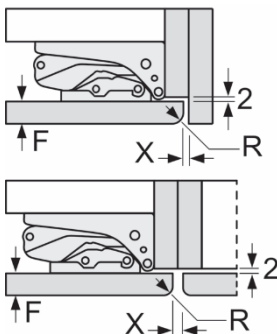
- A. Onderkant van het voorpaneel boven de luchtventilatie  
 B. Overhang voorpaneel

(eenheid: mm)

Model	HBW7518C HBW7518DT
01	Min. 1028+B Max. 1106+B
02	Min. 662+A Max. 740+A
03	4 mm (tussenruimte deurpaneel koelkast en vriezer)

## Aanbevolen tussenruimte-afmetingen voor vlakke scharnieren (voor vast of zacht scharniertype).

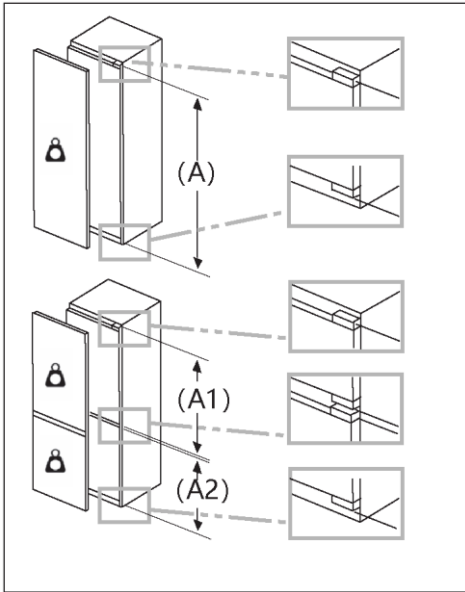
(eenheid: mm)




F	R	X
16-19	0-3	2,5
20	0-1	3
	2-3	2,5
21	0-1	3
	2-3	2,5
22	0	4
	1	3,5
	2-3	3

De in de tabel aanbevolen tussenruimte-afmetingen moeten worden aangehouden om ervoor te zorgen dat de deuren van de apparatuur nergens tegenaan stoten wanneer ze worden geopend en om schade aan keukenkasten te voorkomen.

## Maximaal toelaatbaar gewicht van de unitfronten

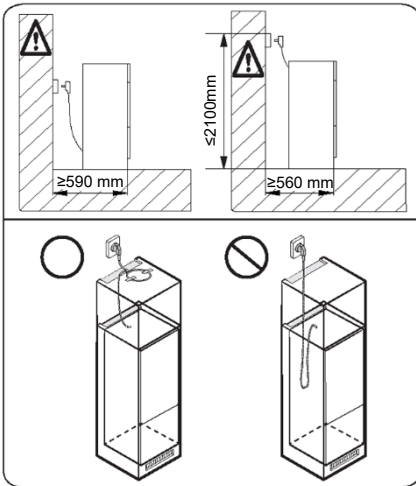


Gemonteerde unitfronten die het toegestane gewicht overschrijden, kunnen schade veroorzaken en de werking van de scharnieren belemmeren.

 **Gewicht**  
(kg)

1500-1750 mm	22
720-1400 mm	19
A1	15
A2	15

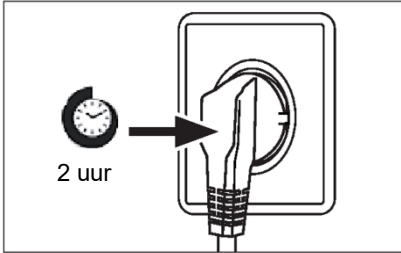
## Rekening houden met de locatie van stopcontacten en de benodigde ruimte



### **LET OP**

Als u de koelkast installeert in een kast met een diepte van 560 mm, zorg er dan voor dat het netsnoer aan een zijkant van de koelkast ligt voordat u de stekker in het stopcontact steekt. Als het netsnoer zich aan de achterkant van de koelkast bevindt, kan dit de energie-efficiëntie verminderen.

## Wachttijd



De onderhoudsvrije smeerolie bevindt zich in de behuizing van de compressor. Deze olie kan door het gesloten buissysteem komen bij liggend transport. Voordat u het apparaat op de voeding aansluit, moet u ten minste 2 uur wachten zodat de olie weer in de behuizing loopt.

## Elektrische aansluiting

Controleer vóór elke aansluiting of:

- ▶ voeding, stopcontact en zekering geschikt zijn volgens het typeplaatje;
- ▶ het stopcontact is geaard en er geen stekkerdoos of verlengsnoer is;
- ▶ de stekker en het stopcontact goed passen.

Sluit de stekker aan op een correct geïnstalleerd huishoudelijk stopcontact.



## WAARSCHUWING!

Om risico's te vermijden moet een beschadigd netsnoer worden vervangen door de klantenservice (zie garantiekaart).

## Productkaart volgens de verordening EU nr. 2019/2016

Merk	Haier	Haier
Modelnaam/identificatie	HBW7518C	HBW7518DT
Categorie van het model	Koelvries-combinatie	Koelvries-combinatie
Energie-efficiëntieklasse	C	D
Jaarlijks energieverbruik (kWh/jaar)(1)	146	180
Totaal volume (liter)	268	268
Volume koelkast (liter)	182	182
Volume vriezer (liter)	86	86
Volume koelersectie (liter)	/	/
Volume automatische ijsblokjesmachine (liter)	/	/
Steraanduiding	4	4
Temperatuur van andere compartimenten > 14°C	Niet van toepassing	Niet van toepassing
Vorstvrij systeem	Ja	Ja
Vriescapaciteit (kg/24 uur)	8	8
Klimaatklasse (2)	SN/N/ST/T	SN/N/ST/T
Geluidsemisieklasse en geluidsemisatie via de lucht (db(A) re1pW)	B 32	B 32
Temperatuurstijgingstijd (uur)	12	11
Ijsbereidingscapaciteit	/	/
Type apparaat	ingebouwd	ingebouwd

Naam model	Energie-efficiëntieklasse
HBW7518C	C
HBW7518DT	D

Uitleg:

• Ja, aanwezig

- (1) Op basis van de resultaten van de normenconformiteitstest gedurende 24 uur. Het werkelijke verbruik is afhankelijk van het gebruik en de locatie van het apparaat.
- (2) Klimaatklasse SN: Dit apparaat is bedoeld voor gebruik bij een omgevingstemperatuur tussen +10°C en +32°C  
 Klimaatklasse N: Dit apparaat is bedoeld voor gebruik bij een omgevingstemperatuur tussen +16°C en +32°C  
 Klimaatklasse ST: Dit apparaat is bedoeld voor gebruik bij een omgevingstemperatuur tussen +16°C en +38°C  
 Klimaatklasse T: Dit apparaat is bedoeld voor gebruik bij een omgevingstemperatuur tussen +16°C en +43°C

#### Aanvullende technische gegevens

Spanning/frequentie	220-240V ~ / 50Hz
Ingangsstroom (A)	2
Belangrijkste zekering (A)	16
Koelmiddel	R600a
Afmetingen (HxBxD in mm)	1772/540/550



Wij adviseren onze Haier-klantenservice en het gebruik van originele onderdelen. Als u een probleem hebt met uw apparaat, controleer dan eerst het hoofdstuk **PROBLEMEN OPLOSSEN**.

Als u daar geen oplossing kunt vinden, neem dan contact op met

- ▶ uw plaatselijke dealer; of
- ▶ ons Europese service-callcentrum (zie onderstaande telefoonnummers); of
- ▶ het gedeelte Service & Support op [www.haier.com](http://www.haier.com), waar u de serviceclaim kunt activeren
- ▶ en ook veelgestelde vragen kunt vinden.

Om contact op te nemen met onze klantenservice, moet u ervoor zorgen dat u over de volgende gegevens beschikt.

De informatie is te vinden op het typeplaatje.

Model \_\_\_\_\_

Serienummer \_\_\_\_\_

Controleer ook de garantiekaart die met het product is meegeleverd in geval van garantie.

Europees service-callcentrum		
Land*	Telefoonnummer	Kosten
Haier Italy (IT)	199 100 912	
Haier Spain (ES)	902 509 123	
Haier Germany (DE)	0180 5 39 39 99	<ul style="list-style-type: none"> <li>• 14 ct/min – vaste lijn</li> <li>• max. 42 ct/min – mobiel</li> </ul>
Haier Austria (AT)	0820 001 205	<ul style="list-style-type: none"> <li>• 14,53 ct/min – vaste lijn</li> <li>• max. 20 ct/min – alle andere</li> </ul>
Haier United Kingdom (UK)	0333 003 8122	
Haier France (FR)	0980 406 409	

\* Voor andere landen verwijzen wij u naar [www.haier.com](http://www.haier.com)

Haier Europe Trading S.r.l

Branch UK

Westgate House, Westgate, Ealing

London, W5 1YY, Verenigd Koninkrijk

\*Duur van de garantie van het koelapparaat:

De minimumgarantie is: 2 jaar voor EU-landen, 3 jaar voor Turkije, 1 jaar voor het Verenigd Koninkrijk, 1 jaar voor Rusland, 3 jaar voor Zweden, 2 jaar voor Servië, 5 jaar voor Noorwegen, 1 jaar voor Marokko, 6 maanden voor Algerije, Tunesië geen wettelijke garantie vereist.

\*De beschikbaarheidsperiode van reserveonderdelen voor reparatie van het apparaat:

Thermostaten, temperatuursensoren, printplaten en lichtbronnen zijn gedurende minimaal zeven jaar na het op de markt brengen van de laatste eenheid van het model beschikbaar.

Deurgrepen, deurscharnieren, bakken en manden zijn minimaal zeven jaar en deurrubbers minimaal tien jaar na het in de handel brengen van de laatste eenheid van het model beschikbaar.

\*Raadpleeg voor meer informatie over het product <https://eprel.ec.europa.eu/> of scan de QR-code op het energielabel dat met het apparaat wordt meegeleverd.

The Haier logo is displayed in a bold, black, sans-serif font. The background of the page features abstract geometric shapes in shades of gray and white, including a large dark gray shape on the left and a large light gray shape on the right, both with rounded corners and pointed ends.

专用号条码

0060536192  
2024 Version A

# Haier

## Instrukcja obsługi

Chłodziarko-zamrażarka  
HBW7518C  
HBW7518DT

EN

CZ

DE

EL

ES

FR

HU

IT

NL

PL

PT

RO

PL



**WARNING: Risk of fire/flammable material** **EN**  
The symbol indicates there is a risk of fire since flammable materials are used. Take care to avoid causing a fire by ingiting flammable material.

**VAROVÁNÍ: Nebezpečí Požáru/Hořlavého Materiálu** **CZ**

Symbol označuje riziko požáru, protože byly použity hořlavé materiály. Dbejte na to, aby nedošlo ke vzniku požáru zapálením hořlavého materiálu.

**WARNUNG: Brandgefahr/brennbares Material** **DE**

Das Symbol weist auf Brandgefahr hin, da brennbare Materialien verwendet werden. Verhindern Sie die Entstehung von Bränden, die durch entflammbare Materialien verursacht werden.

**ΠΡΟΣΟΧΗ: Κίνδυνος: φωτιάς/εύφλεκτο υλικό** **EL**

Το σύμβολο υποδεικνύει ότι υπάρχει κίνδυνος φωτιάς επειδή χρησιμοποιούνται εύφλεκτα υλικά. Προσέχετε να αποφεύγετε την πρόκληση φωτιάς από ανάφλεξη εύφλεκτου υλικού.

**ADVERTENCIA: Riesgo de incendio o material inflamable** **ES**

El símbolo indica que existe riesgo de incendio, dado que se utilizan materiales inflamables. Se debe procurar evitar incendios medí ante la combustión de materiales inflamables.

**ATTENTION: Risque d'incendie ou de mati ères inflammables** **FR**

Le symbole montre qu'il y'a le risque de maté riaux inflammables sont utilisés. Prendre soin d'éviter de provoquer un incendie en ingérant des matières inflammables.

**FIGYELEM: Tűz / gyúlékony anyag veszélye** **HU**

A szimbólum azt jelzi, hogy tűzveszély áll fenn, mivel gyúlékony anyagokat használnak. Ügyeljen arra, hogy ne tegyen rá tűzveszélyes gyúlékony anyagot.

**ATTENZIONE: Rischio di incendio/materiale infiammabile** **IT**

Il simbolo indica il rischio di incendio nel caso di utilizzo di materiali infiammabili. Fare attenzione ed evitare l'insorgere di incendi a causa della caombustione di materiali infiammabili.

**WAARSCHUWING: Brandrisico / brandbaar materiaal** **NL**

Het systeem geeft aan dat er een brandrisico bestaat aangezien brandbaar materiaal wordt gebruikt. Zorg ervoor dat er geen brand wordt veroorzaakt door brandbaar materiaal te ontsteken.

**OSTRZEŽENIE: Ryzyko pożaru/materiał łatwopalny** **PL**

Symbol wskazuje, że istnieje ryzyko pożaru, ponieważ używane są materiały łatwopalne. Dbaj o to, aby uniknąć pożaru poprzez zapale nie łatwopalnego materiału.

**AVISO: Risco de incêndio e material inflamável** **PT**

O símbolo indica que existe um risco de incêndio, uma vez que são utilizados materiais inflamáveis. Tenha cuidado para evitar provocar um incêndio acendendo material inflamável.

**AVERTISMENT: Risc de incendiu/material inflamabil** **RO**

Simbolul indică că există risc de incendiu deoarece sunt folosite materiale inflamabile. Aveți grijă și evitați incendiile aprinzând materiale inflamabile.

<u>5</u>	<u>Informacje dotyczące bezpieczeństwa</u>	•	<u>Przed pierwszym użyciem</u>	6
			<u>Instalacja</u>	6
			<u>Codzienne użytkowanie</u>	7
			<u>Informacje dotyczące czynnika chłodniczego</u>	9
<u>10</u>	<u>Przeznaczenie</u>	•		
<u>11</u>	<u>Opis produktu</u>	•		
<u>12</u>	<u>Panel sterowania</u>	•		
<u>13</u>	<u>Użytkowanie</u>	•		
			<u>Blokowanie/Odblokowanie panelu</u>	13
			<u>Regulacja temperatury chłodziarki</u>	13
			<u>Regulacja temperatury zamrażarki</u>	13
			<u>Funkcja połączenia</u>	14
			<u>Funkcja ECO</u>	15
			<u>Funkcja Holiday</u>	15
			<u>Funkcja Super Cool</u>	15
			<u>Funkcja Super Freeze</u>	16
			<u>Wybór funkcji My Zone</u>	17
<u>19</u>	<u>Wyposażenie</u>	•		
<u>20</u>	<u>Wskazówki dotyczące oszczędzania energii</u>	•		
<u>21</u>	<u>Pielęgnacja i czyszczenie</u>	•		
<u>23</u>	<u>Usuwanie usterek</u>	•		
<u>27</u>	<u>Instalacja</u>	•		
<u>33</u>	<u>Dane techniczne</u>	•		
<u>35</u>	<u>Obsługa klienta</u>	•		

## Dziękujemy za zakup produktu firmy Haier.

Przed użyciem urządzenia należy dokładnie przeczytać niniejsze instrukcje. Instrukcje zawierają ważne informacje, które pomogą możliwie najlepiej wykorzystać funkcje urządzenia, bezpiecznie i prawidłowo je zainstalować, eksploatować oraz konserwować.

Niniejszą instrukcję obsługi należy przechowywać w dostępnym miejscu, aby móc z niej zawsze skorzystać w celu bezpiecznego i właściwego użytkowania urządzenia.

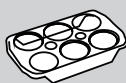
Przy sprzedaży urządzenia należy do niego dołączyć niniejszą instrukcję obsługi, a w przypadku przeprowadzki przekazać ją nowemu właścicielowi, aby mógł się zapoznać z urządzeniem i ostrzeżeniami dotyczącymi bezpieczeństwa.

## Akcesoria

Sprawdź akcesoria i materiały zgodnie z tą listą:



Pudełko na kostki lodu



Pudełko na jajka



Etykieta energetyczna



Karta gwarancyjna



Instrukcja obsługi



Śruba x4



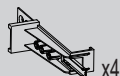
Pokrywa x2



Blok gąbki x2



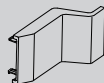
Przewodnik suwakowy x4



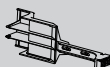
Zespół suwakowy x4



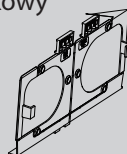
Stała płyta



Pokrywa zawiasu



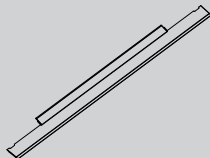
Stała płyta II



Dolna stała płyta



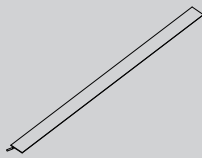
Górna stała płyta



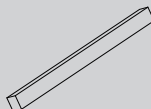
Dolna pokrywa



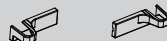
Dolna pokrywa boczna



Taśma uszczelniająca



Gąbka uszczelniająca



Dolna pokrywa zawiasu

**OSTRZEŻENIE – Ważne informacje dotyczące bezpieczeństwa****UWAGA – Ogólne informacje i wskazówki****Informacje dotyczące ochrony środowiska****Utylizacja**

Pomóż chronić środowisko i ludzkie zdrowie. Wyrzuć opakowanie do odpowiednich pojemników do recyklingu. Pomóż w recyklingu odpadów z urządzeń elektrycznych i elektronicznych. Nie wyrzucaj urządzeń oznaczonych tym symbolem razem z odpadami domowymi. Oddaj produkt do miejscowego zakładu recyklingu lub skontaktuj się z urzędem miejskim.

**OSTRZEŻENIE!**

Ryzyko obrażeń lub uduszenia!

Czynniki chłodnicze i gazy muszą być utylizowane w profesjonalny sposób. Przed utylizacją upewnij się, że przewody układu chłodniczego nie są uszkodzone. Odłącz urządzenie od zasilania sieciowego. Odetnij przewód zasilający i zutylizuj go. Usuń tace i szuflady oraz zamek drzwi i uszczelki, aby zapobiec zamknięciu się dzieci i zwierząt w urządzeniu.



## Przed włączeniem urządzenia po raz pierwszy, przeczytaj poniższe wskazówki dotyczące bezpieczeństwa:



### OSTRZEŻENIE!

#### Przed pierwszym użyciem

- ▶ Upewnij się, że nie ma uszkodzeń powstałych podczas transportu.
- ▶ Odczekaj co najmniej dwie godziny przed zainstalowaniem urządzenia, aby upewnić się, że obwód czynnika chłodniczego jest w pełni efektywny.
- ▶ Zawsze przenoś urządzenie z pomocą co najmniej dwóch osób, ponieważ jest ono ciężkie.
- ▶ Usuń wszelkie opakowania, trzymaj je w miejscu niedostępnym dla dzieci i zutylizuj w sposób przyjazny dla środowiska.
- ▶ Przed włożeniem żywności wyczyść wnętrze i obudowę urządzenia wodą z dodatkiem łagodnego detergentu.
- ▶ Po wypoziomowaniu i wyczyszczeniu urządzenia odczekaj co najmniej 2-5 godzin przed podłączeniem go do zasilania. Zob. rozdział INSTALACJA.
- ▶ Przed załadowaniem żywności należy wstępnie schłodzić komory z wysokimi ustawieniami. Funkcja Power-Freeze pomaga szybko schłodzić komory.
- ▶ Temperatury chłodziarki i zamrażarki są automatycznie ustawiane odpowiednio na 5°C oraz - 18°C. To są zalecane ustawienia. W razie potrzeby można ręcznie zmienić ustawioną temperaturę. Zob. rozdział REGULACJA TEMPERATURY.

#### Instalacja

- ▶ Urządzenie powinno być umieszczone w dobrze wentylowanym miejscu. Zapewnij przestrzeń co najmniej 10 cm nad urządzeniem i wokół niego.
- ▶ Nigdy nie umieszczaj urządzenia w wilgotnym miejscu lub w takim, w którym może być ochlapano wodą. Zetrzyj plamy i zachlapania do sucha miękką i czystą ściereczką.
- ▶ Nie instaluj urządzenia w miejscu, w którym będzie narażone na bezpośrednie działanie słońca lub w pobliżu źródeł ciepła (np. pieców, grzejników).
- ▶ Zainstaluj i wypoziomuj urządzenie w miejscu odpowiednim dla jego wielkości i przeznaczenia.
- ▶ Należy dbać o drożność otworów wentylacyjnych w obudowie urządzenia wolnostojącego lub w konstrukcji do zabudowy.
- ▶ Upewnij się, że informacje dotyczące elektryki na tabliczce znamionowej są zgodne z parametrami zasilania. Jeśli tak nie jest, skontaktuj się z elektrykiem.
- ▶ Urządzenie jest zasilane prądem 220–240 V AC/50 Hz. Odbiegające od normy wahania napięcia mogą spowodować niewłączenie się urządzenia albo uszkodzenie regulatora temperatury lub sprężarki. Mogą też być przyczyną nietypowego hałasu podczas pracy. W takim przypadku powinien zostać zamontowany automatyczny regulator.
- ▶ Nie używaj adapterów wtyczek i przedłużaczy.
- ▶ Za urządzeniem nie należy umieszczać kilku listew zasilających ani przenośnych zasilaczy.
- ▶ Upewnij się, że kabel zasilający nie jest przytrzaśnięty przez chłodziarkę. Nie stawaj na przewodzie zasilającym.



## OSTRZEŻENIE!

- ▶ Używaj oddzielnego, łatwo dostępnego i uziemionego gniazdka. Urządzenie musi być uziemione.

Dotyczy tylko Wielkiej Brytanii: Kabel zasilający urządzenie jest wyposażony we wtyczkę z 3 bolcami (z uziemieniem), która pasuje do standardowego gniazda z 3 przewodami (z uziemieniem). Nigdy nie odcinaj ani nie demontuj trzeciego bolca (z uziemieniem). Po zainstalowaniu urządzenia wtyczka powinna być łatwo dostępna.

- ▶ Uważaj, aby nie uszkodzić obwodu chłodniczego.

### Codzienne użytkowanie

- ▶ Urządzenie może być obsługiwane przez dzieci powyżej 8 roku życia i przez osoby o ograniczonych możliwościach fizycznych, sensorycznych lub umysłowych lub osoby nieposiadające doświadczenia ani wiedzy pod warunkiem, że są one pod odpowiednim nadzorem lub zostały poinstruowane, jak bezpiecznie obsługiwać urządzenie i rozumieją związane z nim zagrożenia.
- ▶ Dzieciom w wieku od 3 do 8 lat wolno ładować i rozładowywać, ale nie wolno czyścić ani instalować urządzeń chłodniczych.
- ▶ Trzymaj z dala od urządzenia dzieci poniżej 3 roku życia, chyba że są pod stałym nadzorem.
- ▶ Dzieci nie powinny bawić się urządzeniem.
- ▶ Jeśli czynnik chłodniczy lub inny łatwopalny gaz wycieka w pobliżu urządzenia, zamknij zawór wyciekającego gazu, otwórz drzwi oraz okna i nie odłączaj kabla zasilającego chłodziarki lub innego urządzenia.
- ▶ Zwróć uwagę, że urządzenie jest ustawione do pracy w określonym zakresie temperatur pomiędzy 10 a 43°C. Chłodziarka może nie pracować prawidłowo, jeśli pozostanie na dłuższy czas w temperaturze powyżej lub poniżej podanego zakresu.
- ▶ Na chłodziarce nie należy umieszczać niestabilnych przedmiotów (ciężkich przedmiotów, pojemników wypełnionych wodą), aby uniknąć obrażeń ciała spowodowanych upadkiem lub porażeniem prądem elektrycznym w wyniku kontaktu z wodą.
- ▶ Nie ciągnij za półki drzwiowe. Drzwi mogą być pochylone, stojak na butelki może zostać wyciągnięty lub urządzenie może się przewrócić.
- ▶ Otwieraj i zamykaj drzwi tylko za pomocą klamek. Szczelina między drzwiami a obudową jest bardzo wąska. Nie trzymaj rąk w tych obszarach, aby uniknąć przycięcia palców. Otwieraj i zamykaj drzwi chłodziarki tylko wtedy, gdy nie ma dzieci stojących w obrębie ruchu drzwi.



## OSTRZEŻENIE!

- ▶ Nie przechowuj ani nie używaj materiałów łatwopalnych, wybuchowych lub żrących w urządzeniu lub w jego sąsiedztwie.
- ▶ Nie należy przechowywać w urządzeniu leków, bakterii lub substancji chemicznych. To urządzenie jest urządzeniem gospodarstwa domowego. Nie zaleca się przechowywania materiałów, które wymagają ściśle określonej temperatury.
- ▶ Nigdy nie przechowuj płynów w butelkach lub puszkach (oprócz alkoholi wysokoprocentowych), zwłaszcza napojów gazowanych w zamrażarce, ponieważ mogą one pęknąć podczas zamrażania.
- ▶ Sprawdź stan żywności, jeśli w zamrażarce miało miejsce zwiększenie temperatury.
- ▶ Nie ustawiaj niepotrzebnie niskiej temperatury w komorze chłodziarki. Ujemne temperatury mogą wystąpić przy wysokich ustawieniach. Uwaga: Butelki mogą wybuchnąć
- ▶ Nie dotykaj zamrożonych towarów mokrymi rękami (załóż rękawiczki). Szczególnie nie należy jeść lizaków lodowych bezpośrednio po wyjęciu z komory zamrażarki. Istnieje ryzyko przymarznięcia naskórka lub powstania pęcherzy. PIERWSZA pomoc: Natychmiast polać miejsce przymarznięcia bieżącą zimną wodą. Nie odrywaj!
- ▶ Nie dotykaj wnętrza komory zamrażarki podczas pracy, zwłaszcza mokrymi rękami, ponieważ mogą one przymarznąć do jej powierzchni.
- ▶ Odłącz urządzenie w przypadku przerwy w zasilaniu lub przed czyszczeniem. Nie uruchamiaj ponownie urządzenia przez co najmniej 7 minut, ponieważ szybkie włączenie może doprowadzić do uszkodzenia sprężarki.
- ▶ Nie używaj urządzeń elektrycznych wewnątrz komór do przechowywania żywności, chyba że są to urządzenia typu zalecanego przez producenta. Konserwacja / czyszczenie
- ▶ Upewnij się, że dzieci są nadzorowane podczas czyszczenia i konserwacji urządzenia.
- ▶ Przed przystąpieniem do rutynowej konserwacji należy odłączyć urządzenie od zasilania elektrycznego. Odczekaj co najmniej 5 minut przed ponownym uruchomieniem urządzenia, ponieważ częste uruchamianie może uszkodzić sprężarkę.



## OSTRZEŻENIE!

- ▶ Podczas odłączania urządzenia trzymaj za wtyczkę, a nie za przewód.
- ▶ Nie czyść urządzenia za pomocą twardych szczotek, szczotek drucianych, detergentów proszkowych, benzyny, octanu amylu, acetonu i podobnych roztworów organicznych, kwasu lub roztworów alkalicznych. Do czyszczenia należy używać specjalnego detergentu do chłodziarek, aby uniknąć uszkodzenia.
- ▶ Nie zeszkrobuj szronu i lodu ostrymi przedmiotami. Nie używaj rozpylaczy, grzejników elektrycznych, takich jak suszarka do włosów, myjek parowych lub innych źródeł ciepła, aby uniknąć uszkodzenia plastikowych części.
- ▶ Nie używaj urządzeń mechanicznych ani innych środków do przyspieszania procesu rozmrażania, chyba że są one zalecane przez producenta.
- ▶ Jeśli kabel zasilający ulegnie uszkodzeniu, dla bezpieczeństwa należy zlecić jego wymianę producentowi, autoryzowanemu serwisowi lub osobom o podobnych kwalifikacjach.
- ▶ Nie należy próbować samodzielnie naprawiać, demontować ani modyfikować urządzenia. W przypadku konieczności naprawy prosimy o kontakt z naszym działem obsługi klienta.
- ▶ Usuń kurz z tyłu urządzenia co najmniej raz w roku, aby uniknąć zagrożenia ogniem, a także zwiększonego zużycia energii.
- ▶ Nie używaj aerozolu ani nie przepłukuj urządzenia podczas czyszczenia.
- ▶ Nie używaj wody lub pary do czyszczenia urządzenia.
- ▶ Nie czyść zimnych szklanych półek gorącą wodą. Nagła zmiana temperatury może spowodować pęknięcie szkła.

## Informacje dotyczące czynnika chłodniczego



## OSTRZEŻENIE!

Urządzenie zawiera łatwopalny czynnik chłodniczy IZOBUTAN (R600a). Upewnij się, że układ chłodniczy nie został uszkodzony podczas transportu lub instalacji. Wyciek czynnika może spowodować uszkodzenie wzroku lub zapalenie. Jeśli wystąpiło uszkodzenie, trzymaj urządzenie z dala od otwartych źródeł ognia, dokładnie przewietrz pomieszczenie, nie podłączaj ani nie odłączaj kabli zasilających tego lub innego urządzenia. Poinformuj obsługę klienta.

W przypadku kontaktu czynnika chłodniczego z oczami natychmiast przepłucz je pod bieżącą wodą i natychmiast skontaktuj się z okulistą.

## Przeznaczenie

To urządzenie jest przeznaczone do chłodzenia i zamrażania żywności. Zostało zaprojektowane wyłącznie do użytku w gospodarstwach domowych i do podobnych zastosowań, np. w pomieszczeniach kuchennych dla personelu w sklepach, biurach i innych środowiskach pracy; w gospodarstwach rolnych oraz dla klientów w hotelach, motelach i innych obiektach mieszkalnych, a także w pensjonatach i gastronomii. Nie jest przeznaczone do użytku komercyjnego ani przemysłowego.

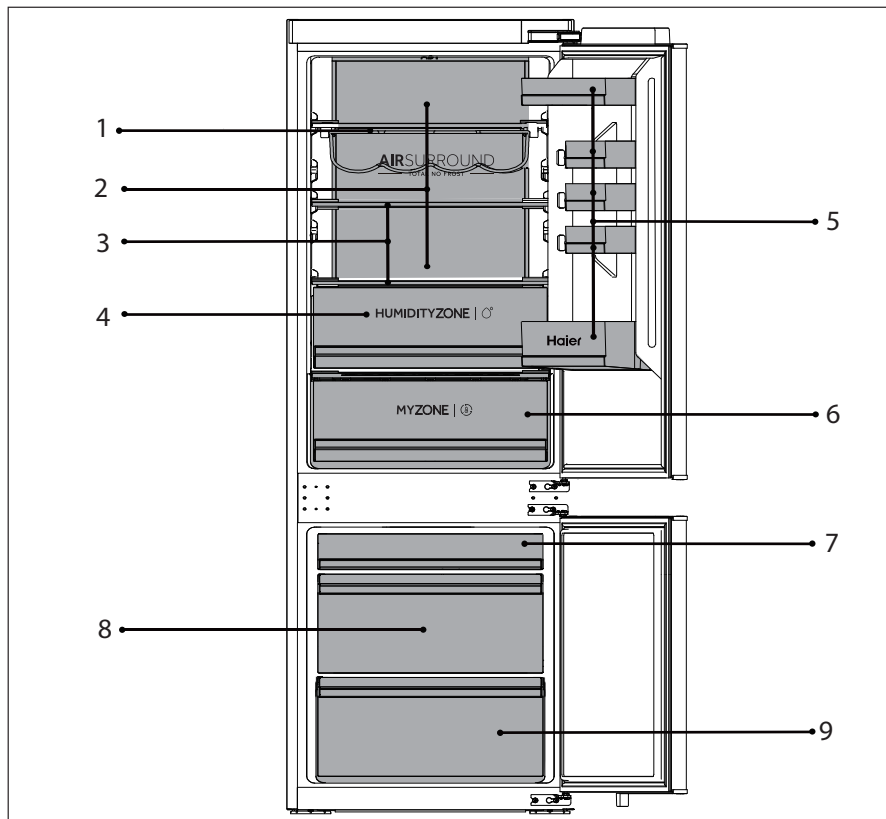
Zmiany lub modyfikacje urządzenia są niedozwolone. Użycie niezgodne z przeznaczeniem może spowodować zagrożenie i utratę roszczeń gwarancyjnych.

## Normy i dyrektywy

Produkt ten spełnia wymagania wszystkich obowiązujących dyrektyw UE z odpowiednimi normami zharmonizowanymi, które przewidują oznakowanie CE.

## **i** UWAGA

Z powodu zmian technicznych i różnych modeli, niektóre ilustracje w tej instrukcji mogą się różnić od Twojego modelu.



## **HBW7518C/HBW7518DT**

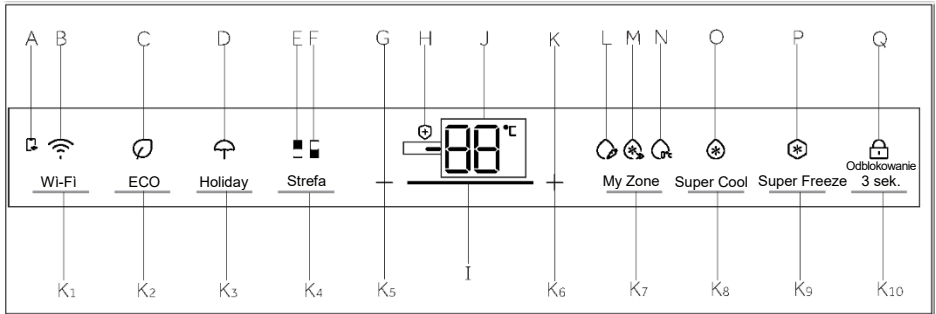
### **A: Komora chłodziarki**

- 1 Stojak na wino
- 2 Kanał powietrza chłodniczego
- 3 Zwykłe półki
- 4 Szuflada Humidity Zone
- 5 Uchwyt na butelki
- 6 Szuflada MyZone

### **B: Komora zamrażarki**

- 7 Górna szuflada zamrażarki
- 8 Środkowa szuflada zamrażarki
- 9 Dolna szuflada zamrażarki

## Panel sterowania



### Wskaźniki:

- A Połączenie z aplikacją mobilną
- B Funkcja Wi-Fi
- C Funkcja ECO
- D Funkcja Holiday
- E Wskaźnik chłodziarki
- F Wskaźnik zamrażarki
- G Regulacja temperatury „-”
- H Funkcja bakteriobójcza
- I Wyświetlanie efektu siły przekładni
- J Wyświetlacz temperatury
- K Regulacja temperatury „+”
- L Funkcja Fruit&Veg
- M Funkcja QuickCool
- N Funkcja 0°C Fresh
- O Funkcja Super Cool
- P Funkcja Super Freeze
- Q Zablokuj i odblokuj

### Przyciski:

- K<sub>1</sub> Przycisk ustawień Wi-Fi
- K<sub>2</sub> Przycisk funkcji ECO
- K<sub>3</sub> Przycisk funkcji Holiday
- K<sub>4</sub> Przycisk wyboru strefy
- K<sub>5</sub> Przycisk regulacji temperatury „-”
- K<sub>6</sub> Przycisk regulacji temperatury „+”
- K<sub>7</sub> Przycisk wyboru funkcji My Zone
- K<sub>8</sub> Przycisk wyboru Super Cool
- K<sub>9</sub> Przycisk wyboru Super Freeze
- K<sub>10</sub> Przycisk Zablokuj i Odblokuj

## Klawisze czujnika

Przyciski na panelu sterowania są klawiszami czujników, które reagują przy delikatnym dotknięciu palcem.

## Włącz/Wyłącz urządzenie

Urządzenie zacznie pracę jak tylko zostanie podłączone do źródła energii.

Gdy chłodziarka jest włączana po raz pierwszy, zapala się wskaźnik „J” (wyświetlacz temperatury). Temperatury chłodziarki i zamrażarki są automatycznie ustawiane odpowiednio na 5°C i -18°C. Zaświeci się wskaźnik „M” (wyświetlacz QuickCool).

Strefa My Zone jest automatycznie ustawiona na funkcję QuickCool.

Może być aktywna blokada panel.



## UWAGA

Gdy urządzenie zostanie włączone po uprzednim odłączeniu od głównego źródła zasilania, osiągnięcie prawidłowej temperatury może potrwać do 12 godzin.

Przed wyłączeniem należy opróżnić urządzenie. Aby wyłączyć urządzenie, wyciągnij przewód zasilający z gniazdka.

### Blokowanie/Odblokowanie panelu

**Automatyczne blokowanie:** Gdy drzwi chłodziarki i zamrażarki są zamknięte i w ciągu 30 sekund nie zostanie naciśnięty żaden klawisz, ekran wyświetlacza zostanie automatycznie zgaszony i zablokowany.

**Ręczne blokowanie:** Gdy ekran wyświetlacza jest odblokowany, naciśnij przycisk „K<sub>10</sub>” (odblokowanie 3 sek.) i przytrzymaj przez 3 sekundy; brzęczyk zadzwoni jeden raz, zaświeci się wskaźnik „Q” (blokada panelu) i wyświetlacz zostanie zablokowany.

**Odblokowanie:** Gdy ekran wyświetlacza jest zablokowany, naciśnij przycisk „K<sub>10</sub>” (odblokowanie 3 sek.) i przytrzymaj przez 3 sekundy, brzęczyk zadzwoni jeden raz, wskaźnik „Q” (blokada panelu) zgaśnie, a wyświetlacz zostanie odblokowany.

### Regulacja temperatury

Na temperaturę wewnątrz chłodziarki wpływają następujące czynniki:

temperatura otoczenia, częstotliwość otwierania drzwi, ilość przechowywanej żywności w urządzeniu.

### Regulacja temperatury chłodziarki

Gdy ekran wyświetlacza jest odblokowany, naciśnij przycisk „K<sub>4</sub>” (przełącznik strefy). Brzęczyk dzwoni raz, świeci kontrolka „E” (wskaźnik chłodziarki), a następnie pojawia się tryb ustawiania temperatury chłodziarki.

Naciśnij przycisk „K<sub>5</sub>” (przycisk regulacji temperatury „-”). Brzęczyk zadzwoni jeden raz, a ustawiona temperatura chłodziarki zostanie zmniejszona o 1. Temperatura chłodziarki będzie wyświetlana w następującej kolejności: „9°C -> 8°C -> 7°C -> 6°C -> 5°C -> 4°C -> 3°C -> 2°C -> 1°C”.

Naciśnij przycisk „K<sub>6</sub>” (przycisk regulacji temperatury „+”). Brzęczyk zadzwoni raz i ustawiona temperatura chłodziarki zostanie zwiększona o 1. Temperatura chłodziarki będzie wyświetlana w następującej kolejności: „1°C -> 2°C -> 3°C -> 4°C -> 5°C -> 6°C -> 7°C -> 8°C -> 9°C”.



## UWAGA

Po ustawieniu temperatury, jeśli w ciągu 5 sekund nie zostanie wykonana żadna operacja, system automatycznie zapisze ustawioną temperaturę.



## Regulacja temperatury zamrażarki

Gdy ekran wyświetlacza jest odblokowany, naciśnij przycisk „K<sub>4</sub>” (przełącznik strefy). Brzęczyk zadzwoni raz, wskaźnik „F” (wskaźnik zamrażarki) miga, a następnie uruchamia się tryb ustawiania temperatury w zamrażarce.

Naciśnij przycisk „K<sub>5</sub>” (przycisk regulacji temperatury „-”). Brzęczyk zadzwoni jeden raz, a ustawiona temperatura zamrażarki zostanie zmniejszona o 1. Temperatura zamrażarki będzie wyświetlana w następującej kolejności: „-14°C ->-15°C ->- 16°C ->-17°C ->- 18°C ->-19°C ->-20°C ->-21°C ->-22°C ->-23°C ->-24°C”.

Naciśnij przycisk „K<sub>6</sub>” (przycisk regulacji temperatury „+”). Brzęczyk zadzwoni raz, ustawiona temperatura zamrażarki zostanie zwiększona o 1. Temperatura zamrażarki będzie wyświetlana w następującej kolejności: „-24°C ->-23°C ->- 22°C ->-21°C ->- 20°C ->-19°C ->-18°C ->-17°C ->-16°C ->-15°C ->-14°C”.







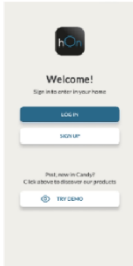

### UWAGA

Po ustawieniu temperatury, jeśli w ciągu 5 sekund nie zostanie wykonana żadna operacja, system automatycznie zapisze ustawioną temperaturę.

## Funkcja Wi-Fi

1. Gdy ekran wyświetlacza jest odblokowany, naciśnij przycisk „K<sub>1</sub>” (przycisk funkcji Wi-Fi). Brzęczyk zadzwoni jeden raz, wskaźnik „B” (funkcja Wi-Fi) zacznie świecić, aż do momentu połączenia. Po pomyślnym nawiązaniu połączenia pozostaw je włączone przez dłuższy czas, po czym funkcja Wi-Fi zostanie włączona.
2. Gdy ekran wyświetlacza jest odblokowany, naciśnij przycisk „K<sub>1</sub>” (przycisk funkcji Wi-Fi). Brzęczyk zadzwoni jeden raz, wskaźnik „B” (funkcja połączenia wewnętrznego) zgaśnie, a następnie funkcja Wi-Fi zostanie wyłączona.

## PROCEDURA PAROWANIA APLIKACJI

<p>Krok 1 • Pobierz aplikację hOn w sklepie</p>    	
<p>Krok 2 Załóż konto w aplikacji hOn lub zaloguj się, jeśli masz już konto</p> 	<p>Krok 3 Postępuj zgodnie z instrukcjami parowania w aplikacji hOn App</p> 

## Funkcja ECO

1. Gdy ekran wyświetlacza jest odblokowany, naciśnij przycisk „K<sub>2</sub>” (przycisk funkcji ECO). Rozlegnie się jeden sygnał dźwiękowy, zaświeci się kontrolka „C” (funkcja ECO) i wówczas funkcja ECO zostanie włączona.
2. Gdy ekran wyświetlacza jest odblokowany, naciśnij przycisk „K<sub>2</sub>” (przycisk funkcji ECO). Rozlegnie się jeden sygnał dźwiękowy, zgaśnie wskaźnik „C” (funkcja ECO) i następnie funkcja ECO się wyłączy.

## Funkcja Holiday

1. Gdy ekran wyświetlacza jest odblokowany, naciśnij przycisk „K<sub>3</sub>” (przycisk funkcji Holiday). Brzęczyk zadzwoni jeden raz, wskaźnik „D” (funkcja Holiday) zaświeci się, a następnie zostanie włączona funkcja Holiday.
2. Gdy ekran wyświetlacza jest odblokowany, naciśnij przycisk „K<sub>3</sub>” (przycisk funkcji Holiday). Rozlegnie się jeden sygnał dźwiękowy, zgaśnie wskaźnik „D” (funkcja Holiday) i następnie funkcja Holiday wyłączy się.

## UWAGA

1. Funkcja Holiday jest używana głównie w przypadku krótkotrwałych podróży i innych okoliczności. Przed skorzystaniem z funkcji Holiday należy opróżnić lodówkę.
2. W przypadku funkcji Holiday temperatura w chłodziarce będzie wyższa (około 17°C). Należy pamiętać o opróżnieniu lodówki, aby uniknąć zepsucia się żywności.
3. W przypadku funkcji Holiday ustawienia ikon „Fruit&Veg, QuickCool, 0°C Fresh” w My zone zostaną wyłączone i nie będzie można regulować temperatury w tej strefie. Po wyjściu z funkcji Holiday komora chłodziarki i My zone zostaną wyświetlone z poprzednim ustawieniem.

## Funkcja Super Cool

1. Gdy ekran wyświetlacza jest odblokowany, naciśnij przycisk „K<sub>8</sub>” (przełącznik Super Cool). Brzęczyk zadzwoni jeden raz, zaświeci się wskaźnik „O” (funkcja Super Cool), a następnie funkcja Super Cool zostanie włączona.
2. Gdy zaświeci się wskaźnik „O” (funkcja Super Cool), naciśnij przycisk „K<sub>8</sub>” (przełącznik funkcji Super Cool). Brzęczyk zadzwoni jeden raz, wskaźnik „O” (funkcja Super Cool) zgaśnie, a następnie funkcja Super Cool zostanie wyłączona.
3. Po włączeniu funkcji Super Cool lodówka automatycznie wyłączy tę funkcję po osiągnięciu ustawionej temperatury. Jeśli chcesz wyjść ręcznie, możesz nacisnąć przycisk „K<sub>8</sub>” (przełącznik Super Cool), aby ją wyłączyć.



## UWAGA

1. W trybie Super Cool nie można regulować temperatury chłodziarki. Jeśli przycisk „K<sub>5</sub>” (przycisk regulacji temperatury „-”) lub przycisk „K<sub>6</sub>” (przycisk regulacji temperatury „+”) zostanie naciśnięty w celu regulacji temperatury chłodziarki, wskaźnik „O” (wskaźnik Super Cool) będzie migać i rozlegnie się dźwięk wskazujący, że nie można wykonać tej operacji.
2. Po uruchomieniu funkcji Super Cool nie można jednocześnie włączyć funkcji Auto-Set ze względu na różne tryby sterowania. Gdy wybierzesz funkcję, która koliduje z inną funkcją, funkcja wybrana jako pierwsza zostanie automatycznie zamknięta.
3. Ta funkcja zostanie automatycznie wyłączona po 4 godzinach.

## Funkcja Super Freeze

1. Gdy ekran wyświetlacza jest odblokowany, naciśnij przycisk „K<sub>9</sub>” (przełącznik Super Freeze). Brzęczyk zadzwoni raz, wskaźnik „P” (funkcja Super Freeze) zapali się, a następnie funkcja Super Freeze zostanie włączona.
2. Gdy zaświeci się wskaźnik „P” (funkcja Super Freeze), naciśnij przycisk „K<sub>9</sub>” (przełącznik funkcji Super Freeze). Brzęczyk zadzwoni jeden raz, wskaźnik „P” (funkcja Super Freeze) zgaśnie, a następnie funkcja Super Freeze zostanie wyłączona.

- Po włączeniu funkcji Super Freeze lodówka automatycznie wyłączy tę funkcję po osiągnięciu ustawionej temperatury. Jeśli chcesz wyjść ręcznie, możesz nacisnąć przycisk „K<sub>9</sub>” (wyłącznik Super Freeze), aby ją wyłączyć.



## **i** UWAGA

- W stanie Super Freeze nie można regulować temperatury zamrażarki. Jeśli przycisk „K<sub>5</sub>” (przycisk regulacji temperatury „-”) lub przycisk „K<sub>6</sub>” (przycisk regulacji temperatury „+”) zostanie naciśnięty w celu regulacji temperatury zamrażarki, wskaźnik „P” (wskaźnik Super Freeze) będzie migać i rozlegnie się dźwięk wskazujący, że nie można wykonać tej operacji.
- Funkcja Super Freeze ma na celu zachowanie wartości odżywczych mrożonej żywności poprzez zamrożenie jej w bardzo krótkim czasie. Jest przeznaczona do jednoczesnego zamrażania dużej ilości mrożonej żywności. Funkcję Super Freeze należy ustawić z 24-godzinym wyprzedzeniem, aby zamrażarka miała odpowiednio niską temperaturę pozwalającą na umieszczenie w niej żywności. Przyspiesza to proces zamrażania w zamrażarce, co umożliwi skuteczne zachowanie wartości odżywczych żywności i ułatwia jej przechowywanie.
- Funkcja Super Freeze wyłączy się automatycznie po 50 godzinach. Następnie urządzenie będzie pracować z poprzednio ustawioną temperaturą.

## Wybór funkcji My Zone

Gdy ekran wyświetlacza jest odblokowany, naciśnij przycisk „K<sub>7</sub>” (przycisk wyboru funkcji My Zone). Rozlegnie się jeden sygnał dźwiękowy, zaświeci się wskaźnik „L” (funkcja Fruit&Veg) i włączy się funkcja Fruit&Veg. Jeśli zostanie naciśnięty którykolwiek przycisk „K<sub>7</sub>” w celu wybrania funkcji My Zone, brzęczyk zadzwoni ponownie i zaświeci się wskaźnik „M” (funkcja szybkiego chłodzenia Quick Cool), po czym funkcja QuickCool zostanie włączona. Opcje funkcji My Zone to kolejno „Fruit&Veg, QuickCool i 0°C Fresh”.

## **i** UWAGA

- Gdy lodówka zostanie włączona po raz pierwszy, zaświeci się wskaźnik „L”, a strefa My Zone zostanie automatycznie ustawiona na funkcję QuickCool. Jeden z trzech wskaźników „My Zone” musi się świecić. Po ponownym wybraniu funkcji My Zone nie będzie można wybrać wcześniej zapalonego wskaźnika My Zone. Można skonfigurować tylko jedną z trzech funkcji. Te trzy funkcje wzajemnie się wykluczają.
- Numer ustawienia temperatury przechowywania w My Zone nie może być wyższy niż numer ustawienia temperatury chłodziarki.
- Aby obniżyć temperaturę w komorze chłodziarki, użyj funkcji 0°C Fresh. Aby ją zwiększyć użyj funkcji Fruit&Veg.

## Szuflada My Zone

Chłodziarka jest wyposażona w szufladę My Zone. Zgodnie z wymaganiami dotyczącymi przechowywania żywności można wybrać najbardziej odpowiednią temperaturę, aby uzyskać optymalną wartość odżywczą żywności. Dostępne są następujące tryby.

### Funkcja Fruit&Veg

Funkcja ta jest odpowiednia do przechowywania owoców i warzyw, takich jak jabłka i marchew itp.

### Funkcja QuickCool

Ta funkcja jest odpowiednia do przechowywania napojów, takich jak cola, piwo itp.



### UWAGA : Fruit&Veg

Owoce wrażliwe na zimno, takie jak ananas, awokado, banany, grejpfruty i warzywa, takie jak ziemniaki, bakłażany, fasola, ogórki, cukinia i pomidory oraz ser nie powinny być przechowywane w szufladzie My Zone.

### Funkcja 0°C Fresh

Za pomocą tej funkcji jest ustawiana temperatura w szufladzie My Zone na 0°C. Nadaje się do przechowywania świeżej żywności, takiej jak mięso lub produkty błyskawiczne. Większość produktów spożywczych pozostaje świeża w temperaturze 0°C, ale nie jest mrożona.



### UWAGA : 0°C Fresh

1. Ze względu na różną zawartość wody w mięsie, niektóre mięsa o większej wilgotności będą zamrażane w temperaturach niższych niż 0°C. Dlatego „świeżo krojone” mięso należy przechowywać w szufladzie My Zone w temperaturze min. 0°C.
2. Po wybraniu opcji 0°C Fresh ustaw temperaturę komory chłodniczej na niski poziom (poniżej 5°C), aby zachować żywność w optymalnym środowisku przechowywania.

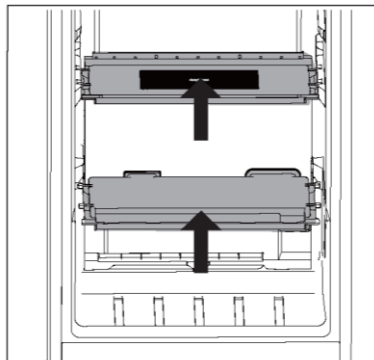
## Szuflada Humidity Zone

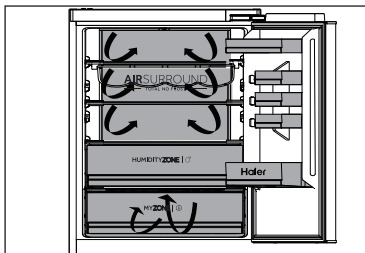
W tej komorze poziom wilgotności jest wyższy niż w komorze chłodziarki. Jest sterowany automatycznie przez system i nadaje się do przechowywania owoców, warzyw, sałat itp.



### UWAGA

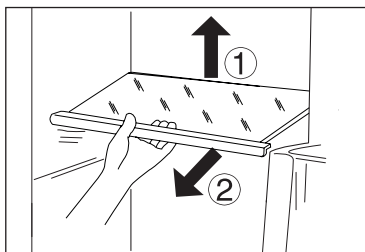
1. Nie zdejmuj plastikowych osłon wewnątrz dwóch stref.
2. Utrzymują one odpowiednią wilgotność.
3. W tych dwóch szufladach nie zaleca się przechowywania owoców wrażliwych na zimno, takich jak ananas, awokado, banany, grejpfruty.





### System obiegu powietrza

1. Chłodziarka jest wyposażona w system obiegu powietrza, dzięki któremu chłodne strumienie powietrza znajdują się na każdym poziomie półki. Pomaga to utrzymać jednolitą temperaturę, dzięki czemu żywność jest dłużej świeża.



### Regulowane półki

1. Wysokość półek można dostosować do potrzeb przechowywania.
2. Aby przenieść półkę, zdejmij ją najpierw, podnosząc tylną krawędź ① i wyciągając ②.
3. Aby ponownie zamontować półkę, należy nałożyć ją na uchwyty po obu stronach i przesunąć do pozycji najbardziej wysuniętej do tyłu, aż tylna część półki znajdzie się w szczelinach po bokach

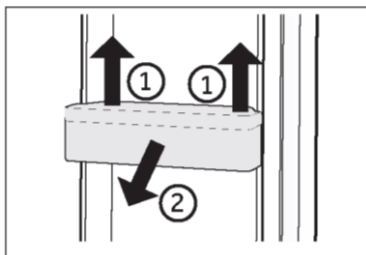


## UWAGA

Upewnij się, że wszystkie końce półki są wypoziomowane.

### Zdejmowane półki na drzwiach/uchwyt na butelki

1. Półki na drzwiach można zdemontować w celu czyszczenia:
2. Połóż dłonie po obu stronach półki, podnieś ją do góry ① i wyciągnij ②.
3. W celu ponownego zamontowania półek powyższe czynności wykonuje się w odwrotnej kolejności.



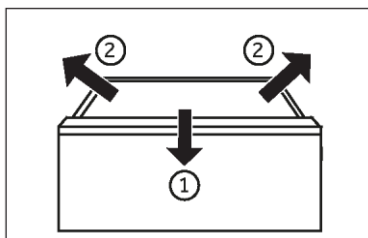
## UWAGA

Po włączeniu urządzenia osiągnięcie właściwej temperatury może potrwać do 12 godzin.

### Wyjmowana szuflada

Aby wyjąć szufladę, wyciągnij ją maksymalnie ①, , podnieś i wyjmij ②

W celu ponownego włożenia szuflady powyższe czynności wykonuje się w odwrotnej kolejności.



### Światło

Po otwarciu drzwi zapala się wewnętrzne oświetlenie LED. Na działanie światła nie ma wpływu żadne z pozostałych ustawień urządzenia.



## Wskazówki dotyczące oszczędzania energii

- ▶ Upewnij się, że urządzenie jest właściwie wentylowane (patrz MONTAŻ).
- ▶ Nie należy instalować urządzenia w bezpośrednim świetle słonecznym lub w pobliżu źródeł ciepła (np. pieców, grzejników).
- ▶ Unikaj niepotrzebnie niskiej temperatury w urządzeniu. Zużycie energii zwiększa się wraz z ustawieniem niższej temperatury w urządzeniu.
- ▶ Funkcje takie jak Super Freeze zwiększają zużycie energii.
- ▶ Przed włożeniem ciepłej żywności do urządzenia należy poczekać, aż ostygnie.
- ▶ Otwieraj drzwi możliwie rzadko i na krótko.
- ▶ Nie przepelniaj urządzenia, aby nie blokować przepływu powietrza.
- ▶ Unikaj powietrza w opakowaniu z żywnością.
- ▶ Utrzymuj w czystości uszczelki drzwi, aby zapewnić ich prawidłowe zamykanie.
- ▶ Rozmrażaj mrożoną żywność w komorze chłodziarki.
- ▶ Najbardziej energooszczędna konfiguracja wymaga, aby pojemniki i półki były umieszczone w urządzeniu jak w stanie fabrycznym, a żywność powinna być rozmieszczona w taki sposób, aby nie blokowała wylotu kanału wentylacyjnego.



## OSTRZEŻENIE!

Przed czyszczeniem odłącz urządzenie od zasilania sieciowego.

### Czyszczenie

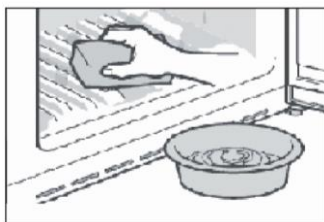
Urządzenie należy czyścić, gdy przechowywana jest niewielka ilość żywności lub nie ma jej wcale.

Urządzenie powinno być czyszczone co cztery tygodnie, aby zapewnić dobrą konserwację i zapobiec nieprzyjemnym zapachom przechowywanej żywności.



## OSTRZEŻENIE!

- ▶ Nie czyść urządzenia za pomocą twardych szczotek, szczotek drucianych, detergentów proszkowych, benzyny, octanu amylu, acetonu i podobnych roztworów organicznych, kwasu lub roztworów alkalicznych. Do czyszczenia należy używać specjalnego detergentu do chłodziarek, aby uniknąć uszkodzenia.
- ▶ Nie używaj aerozolu ani nie przepłukuj urządzenia podczas czyszczenia.
- ▶ Nie używaj wody lub pary do czyszczenia urządzenia.
- ▶ Nie myj zimnych szklanych półek gorącą wodą. Nagła zmiana temperatury może spowodować pęknięcie szkła.
- ▶ Nie dotykaj wnętrza komory, zwłaszcza mokrymi rękami, ponieważ mogą one przymarznąć do jej powierzchni.
- ▶ W przypadku zwiększenia temperatury sprawdzić stan zamrożonych produktów.



- ▶ Uszczelka drzwi powinna być zawsze utrzymywana w czystości.
- ▶ Czyść wnętrze i obudowę urządzenia gąbką zanurzoną w ciepłej wodzie i neutralnym detergentem.
- ▶ 1. Czyść wnętrze i zewnętrzną część chłodziarki, w tym uszczelnienie drzwi, stojak na drzwi, szklane półki, pudełka itd., miękkim ręcznikiem lub gąbką zanurzoną w ciepłej wodzie (można dodać neutralny detergent do ciepłej wody).
- ▶ 2. W przypadku rozlania płynu usuń wszystkie zanieczyszczone elementy, bezpośrednio spłucz bieżącą wodą, osusz i włóż z powrotem do chłodziarki.
- ▶ 3. W przypadku rozlanego kremu (np. śmietany, topniejących lodów), należy wyjąć wszystkie zanieczyszczone części, włożyć je na chwilę do ciepłej wody o temperaturze ok. 40°C, następnie spłukać bieżącą wodą, osuszyć i włożyć z powrotem do chłodziarki.
- ▶ 4. Jeżeli jakaś mała część lub element utknie wewnątrz lodówki (między półkami lub szufladami), użyj małej, miękkiej szczoteczki, aby ją wyjąć. Jeśli nie możesz osiągnąć tej części, skontaktuj się z serwisem Haier
- ▶ Spłucz i wysusz miękką ściereczką.
- ▶ Nie należy myć żadnych części urządzenia w zmywarce do naczyń.
- ▶ Odczekaj co najmniej 5 minut przed ponownym uruchomieniem urządzenia, ponieważ częste uruchamianie może uszkodzić sprężarkę.

### Rozmrażanie

Rozmrażanie komór chłodziarki i zamrażarki przebiega automatycznie; nie jest wymagana ręczna obsługa.



## Wymiana lampek LED



### OSTRZEŻENIE!

Nie wolno samodzielnie wymieniać lampy LED, może to zrobić tylko producent lub autoryzowany serwis.

Jako źródło światła lampy wykorzystują diody LED, charakteryzujące się niskim zużyciem energii i długą żywotnością. W przypadku wystąpienia jakichkolwiek nieprawidłowości prosimy o kontakt z działem obsługi klienta. Zob. OBSŁUGA KLIENTA.

Parametry lamp:

Komora chłodziarki: 12 V maks. 2 W

Komora zamrażarki: 12 V maks. 2 W

### Dłuższa przerwa w użytkowaniu

Jeśli urządzenie nie jest używane przez dłuższy czas i nie będzie włączana w chłodziarce funkcja Holiday:

Wymij żywność.

Odłącz przewód zasilający.

Wyczyść urządzenie jak opisano powyżej.

Zostaw drzwi otwarte, aby zapobiec tworzeniu się wewnątrz nieprzyjemnych zapachów.



### UWAGA

Włącz urządzenie tylko wtedy, gdy jest to absolutnie konieczne.

### Przenoszenie urządzenia

1. Wymij wszystkie produkty spożywcze i odłącz urządzenie od zasilania.
2. Zabezpiecz taśmą klejącą półki i inne ruchome części w zamrażarce.
3. Nie przechylaj chłodziarki pod kątem większym niż 45°, aby uniknąć uszkodzenia układu chłodniczego.



### OSTRZEŻENIE!

- ▶ Nie podnoś urządzenia za klamki.
- ▶ Nigdy nie należy ustawiać urządzenia poziomo na ziemi.

Wiele problemów można rozwiązać samodzielnie, bez specjalistycznej wiedzy. W przypadku problemów prosimy sprawdzić wszystkie pokazane możliwości i postępować zgodnie z poniższymi instrukcjami przed skontaktowaniem się z obsługą posprzedażową. Zob. OBSŁUGA KLIENTA.



## OSTRZEŻENIE!

- ▶ Przed przystąpieniem do konserwacji wyłącz urządzenie i wyjmij wtyczkę z gniazdka sieciowego.
- ▶ Urządzenie elektryczne powinno być serwisowane tylko przez wykwalifikowanych ekspertów, ponieważ niewłaściwe naprawy mogą spowodować znaczne szkody.
- ▶ Jeśli kabel zasilania jest uszkodzony, musi on zostać wymieniony przez producenta, serwisanta lub inną wykwalifikowaną osobę w celu uniknięcia niebezpieczeństwa.

Problem	Potencjalna przyczyna	Możliwe rozwiązanie
Sprężarka nie działa.	<ul style="list-style-type: none"> <li>• Wtyczka sieciowa nie jest podłączona do gniazdka.</li> <li>• Urządzenie znajduje się w cyklu rozmrażania</li> </ul>	<ul style="list-style-type: none"> <li>• Podłącz wtyczkę sieciową.</li> <li>• Jest to normalne w przypadku automatycznego odszraniania</li> </ul>
Urządzenie działa często lub przez zbyt długi okres czasu.	<ul style="list-style-type: none"> <li>• Temperatura wewnątrz i na zewnątrz urządzenia jest za wysoka.</li> <li>• Urządzenie było odłączone od zasilania przez określony czas.</li> <li>• Drzwi urządzenia nie są szczelnie zamknięte.</li> <li>• Drzwi były za często otwierane lub pozostawały długo otwarte.</li> <li>• Ustawienie temperatury w komorze zamrażarki jest zbyt niskie.</li> <li>• Uszczelki drzwi są zabrudzone, zużyte, pęknięte lub niedopasowane.</li> <li>• Wymagany przepływ powietrza nie jest gwarantowany.</li> </ul>	<ul style="list-style-type: none"> <li>• W tym przypadku to normalne, że urządzenie będzie pracować dłużej.</li> <li>• Całkowite schłodzenie urządzenia trwa zazwyczaj d 8 do 12 godzin.</li> <li>• Zamknij drzwi i upewnij się, że urządzenie jest ustawione na płaskiej powierzchni i jedzenie lub pojemniki nie blokują drzwi.</li> <li>• Nie otwieraj drzwi/szuflady zbyt często.</li> <li>• Ustaw wyższą temperaturę, aż do uzyskania zadowalającej temperatury w chłodziarce. Temperatura chodziarki ustabilizuje się po 24 godzinach.</li> <li>• Wyczyść uszczelki drzwi/szuflady lub wymień je z pomocą serwisu obsługi klienta.</li> <li>• Zapewnij odpowiednią wentylację.</li> </ul>
Wnętrze chłodziarki jest brudne i/lub nieprzyjemnie pachnie.	<ul style="list-style-type: none"> <li>• Wnętrze chłodziarki wymaga czyszczenia.</li> <li>• W chłodziarce przechowywana jest żywność o intensywnym zapachu.</li> </ul>	<ul style="list-style-type: none"> <li>• Wyczyść wnętrze chłodziarki.</li> <li>• Dokładnie owiń żywność.</li> </ul>

Problem	Potencjalna przyczyna	Możliwe rozwiązanie
Wewnątrz urządzenia nie jest wystarczająco zimno.	<ul style="list-style-type: none"> <li>• Ustawiona temperatura jest za wysoka.</li> <li>• Była przechowywana zbyt ciepła żywność.</li> <li>• W chłodziarce umieszczono zbyt dużą ilość żywności.</li> <li>• Żywność jest zbyt blisko siebie.</li> <li>• Drzwi/szuflada urządzenia nie są szczelnie zamknięte.</li> <li>• Drzwi/szuflad były za często otwierane lub pozostawały długo otwarte.</li> </ul>	<ul style="list-style-type: none"> <li>• Ponownie ustaw temperaturę.</li> <li>• Zawsze schładzaj żywność przed jej włożeniem do urządzenia.</li> <li>• Zawsze przechowuj małe ilości żywności.</li> <li>• Pozostaw przestrzeń między produktami spożywczymi, umożliwiając przepływ powietrza.</li> <li>• Zamknij drzwi/szufladę.</li> <li>• Nie otwieraj drzwi/szuflad zbyt często.</li> </ul>
Wnętrze urządzenia jest za zimne.	<ul style="list-style-type: none"> <li>• Temperatura jest za niska.</li> <li>• Funkcja Super Freeze/Super Cool jest włączona lub działa zbyt długo.</li> </ul>	<ul style="list-style-type: none"> <li>• Ponownie ustaw temperaturę.</li> <li>• Wyłącz funkcję Super Freeze/Super Cool</li> </ul>
Powstawanie wilgoci na wewnętrznych ściankach komory.	<ul style="list-style-type: none"> <li>• Klimat jest zbyt ciepły i wilgotny.</li> <li>• Drzwi/szuflada urządzenia nie są szczelnie zamknięte.</li> <li>• Drzwi/szuflad były za często otwierane lub pozostawały długo otwarte.</li> <li>• Pojemniki na żywność lub płyny są otwarte.</li> </ul>	<ul style="list-style-type: none"> <li>• Zwiększ temperaturę.</li> <li>• Zamknij drzwi/szufladę.</li> <li>• Nie otwieraj drzwi/szuflad zbyt często.</li> <li>• Pozostaw gorącą żywność do ostygnięcia do temperatury pokojowej i przykryj żywność oraz płyny.</li> </ul>
Wilgoć gromadzi się na zewnętrznej powierzchni chłodziarki lub między drzwiami a szufladą.	<ul style="list-style-type: none"> <li>• Klimat jest zbyt ciepły i wilgotny.</li> <li>• Drzwi nie są szczelnie zamknięte. Zimne powietrze skrapla się wewnątrz urządzenia, a ciepłe powietrze na zewnątrz.</li> </ul>	<ul style="list-style-type: none"> <li>• Jest to normalne zjawisko w wilgotnym klimacie i zmieni się, gdy wilgotność spadnie.</li> <li>• Upewnij się, że drzwi/szuflada są szczelnie zamknięte.</li> </ul>
Podświetlenie wyświetlacza działa, ale nie jest chłodne.	<ul style="list-style-type: none"> <li>• Jest w trybie demonstracyjnym.</li> </ul>	<ul style="list-style-type: none"> <li>• Zwróć uwagę, w jakim jest stanie, jeśli jest w trybie demonstracyjnym, wyjdź z niego. Wyjście: Przytrzymaj przycisk „ECO” i kliknij przycisk „Super Freeze” 5 razy w ciągu 5 sekund.</li> </ul>

Problem	Potencjalna przyczyna	Możliwe rozwiązanie
Nadmierny lód i szron w komorze zamrażarki.	<ul style="list-style-type: none"> <li>• Artykuły spożywcze nie zostały odpowiednio zapakowane.</li> <li>• Drzwi/szuflada urządzenia nie są szczelnie zamknięte.</li> <li>• Drzwi/szuflad były za często otwierane lub pozostawały długo otwarte.</li> <li>• Uszczelki drzwi/szuflady są brudne, zużyte, pęknięte lub niedopasowane.</li> <li>• Coś wewnątrz uniemożliwia prawidłowe zamknięcie drzwi/szuflady.</li> </ul>	<ul style="list-style-type: none"> <li>• Zawsze właściwie pakuj artykuły spożywcze.</li> <li>• Zamknij drzwi/szufladę.</li> <li>• Nie otwieraj drzwi/szuflad zbyt często.</li> <li>• Wyczyść uszczelki drzwi lub wymień je na nowe.</li> <li>• Ponownie umieść półki, półki na drzwi lub pojemniki wewnętrzne, aby umożliwić zamknięcie drzwi/szuflady.</li> </ul>
Boki obudowy i listwa drzewiowa nagrzewają się.	<ul style="list-style-type: none"> <li>• -</li> </ul>	<ul style="list-style-type: none"> <li>• To normalne.</li> </ul>
Urządzenie wydaje dziwne dźwięki.	<ul style="list-style-type: none"> <li>• Urządzenie nie znajduje się na wypoziomowanym podłożu.</li> <li>• Urządzenie dotyka jakiegoś przedmiotu.</li> </ul>	<ul style="list-style-type: none"> <li>• Wyreguluj nóżki, aby wypoziomować urządzenie.</li> <li>• Usuń obiekty znajdujące się w pobliżu urządzenia.</li> </ul>
Słychać delikatny szum podobny do płynącej wody.	<ul style="list-style-type: none"> <li>• -</li> </ul>	<ul style="list-style-type: none"> <li>• To normalne.</li> </ul>
Usłyszysz sygnał alarmowy.	<ul style="list-style-type: none"> <li>• Drzwi komory chłodziarki są otwarte.</li> </ul>	<ul style="list-style-type: none"> <li>• Zamknij drzwi.</li> </ul>
Usłyszysz słaby szum.	<ul style="list-style-type: none"> <li>• Układ antykondensacyjny działa</li> </ul>	<ul style="list-style-type: none"> <li>• Zapobiega to kondensacji i jest normalne</li> </ul>
Oświetlenie wnętrza lub układ chłodzenia nie działa.	<ul style="list-style-type: none"> <li>• Wtyczka sieciowa nie jest podłączona do gniazdka.</li> <li>• Zasilanie nie jest w dobrym stanie.</li> <li>• Lampa LED nie działa.</li> </ul>	<ul style="list-style-type: none"> <li>• Podłącz wtyczkę sieciową.</li> <li>• Sprawdź zasilanie elektryczne w pomieszczeniu. Skontaktuj się z lokalnym dostawcą energii elektrycznej!</li> <li>• Wezwij serwis w celu wymiany lampki.</li> </ul>

Aby skontaktować się z pomocą techniczną, odwiedź naszą stronę internetową:  
<https://corporate.haier-europe.com/en/>

W sekcji „Strona internetowa” wybierz markę swojego produktu i kraj.

Nastąpi przekierowanie na konkretną stronę internetową, na której znajdziesz numer telefonu i formularz do kontaktu z pomocą techniczną.

### **Przerwa w zasilaniu**

W przypadku przerwy w dostawie prądu żywność powinna zachować bezpieczną temperaturę przez około 5 godzin. Podczas

dłuższej przerwy w dostawie prądu, zwłaszcza latem, należy stosować się do poniższych wskazówek:

- ▶ Unikaj częstego otwierania drzwi/szuflady.
- ▶ Nie wkładaj do urządzenia dodatkowej żywności podczas przerwy w dostawie prądu.
- ▶ Jeśli przerwa w dostawie prądu została zgłoszona z wyprzedzeniem i trwa dłużej niż 5 godzin, należy przygotować trochę lodu i umieścić go w pojemniku w górnej części komory chłodziarki.
- ▶ Kontrola towaru jest wymagana niezwłocznie po przerwie.
- ▶ Ponieważ temperatura w chłodziarce wzrośnie podczas przerwy w zasilaniu lub innej awarii, okres przechowywania i jadalna jakość żywności ulegną skróceniu. Każda żywność, która się rozmraża, powinna zostać spożyta lub ugotowana i ponownie zamrożona (w stosownych przypadkach) wkrótce po tym, aby zapobiec zagrożeniom dla zdrowia.

### **Funkcja pamięci podczas przerwy w zasilaniu**

Po przywróceniu zasilania urządzenie będzie działać zgodnie z ustawieniami wprowadzonymi przed awarią zasilania.

## Rozpakowanie

**OSTRZEŻENIE!**

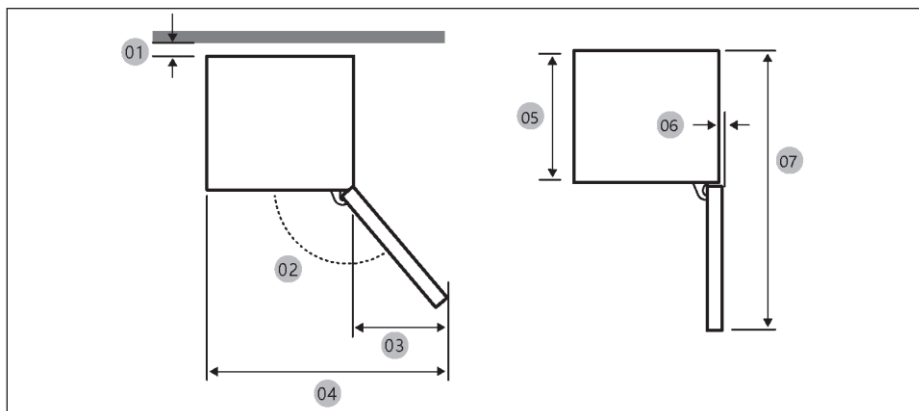
- ▶ Urządzenie jest ciężkie. Należy je obsługiwać zawsze w co najmniej dwie osoby.
- ▶ Wszystkie materiały opakowaniowe należy przechowywać poza zasięgiem dzieci i utylizować w sposób przyjazny dla środowiska.
- ▶ Wyjmij urządzenie z opakowania.
- ▶ Usuń całe opakowanie.

**Warunki środowiskowe**

Temperatura w pomieszczeniu powinna zawsze wynosić od 10°C do 43°C, ponieważ może wpływać na temperaturę wewnątrz urządzenia i zużycie energii. Nie ustawiaj urządzenia w pobliżu innych urządzeń bez izolacji emitujących ciepło (piekarniki, chłodziarki).

**Wymagana przestrzeń**

Wymagana przestrzeń po otwarciu drzwi (bez panelu drzwi szafki)

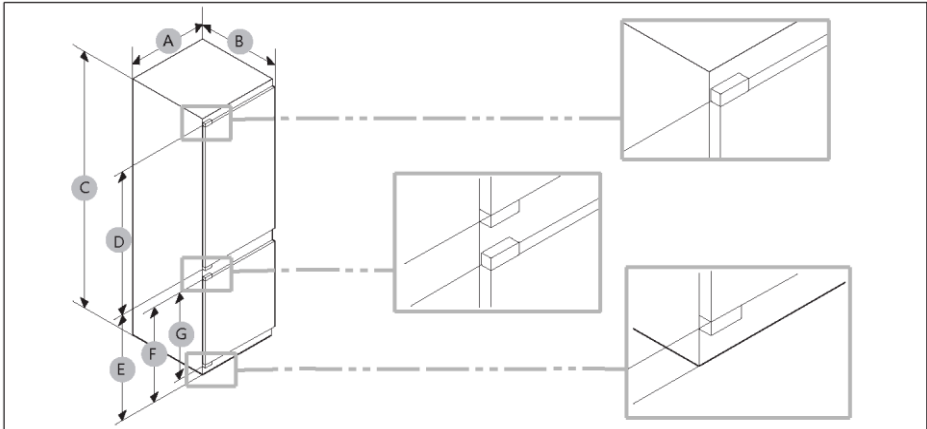


Model	HBW7518C HBW7518DT
01 *	10 (min.) / 30 (zalecane)
02	95° (Zalecane)
03	43
04	583
05	515
06	-3
07	1060

(jednostka: mm)

\* 01: Od szafki do tyłu produktu.

## Wymiar produktu



Model	A(mm)	B(mm)	C(mm)	D(mm)	E(mm)	F(mm)	G(mm)
HBW7518C HBW7518DT	540±2	550±2	1772±2	970	745	662	618

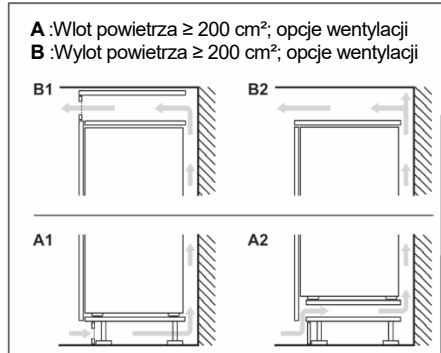
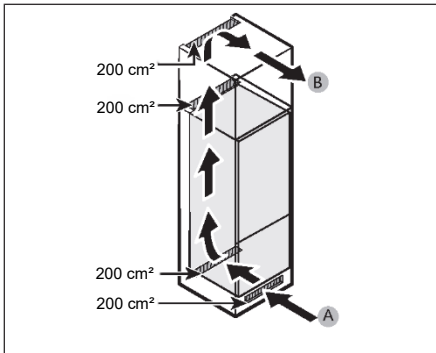


## UWAGA

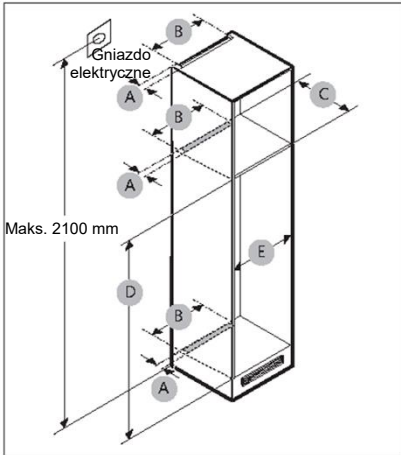
- Podane zużycie energii opiera się na warunku odstępu 10 mm między szafką a tyłem produktu. Produkt będzie działał poprawnie nawet przy szczelinie mniejszej niż 10 mm, jednak zużywa nieco więcej energii.
- Zalecamy użycie szafki o grubości 18 mm z zawiasami o grubości mniejszej niż 20 mm.
- Wymiary podane w powyższej tabeli mogą się różnić w zależności od metody pomiaru.
- Informacje na temat instalacji wbudowanej można znaleźć w Podręczniku instalacji.

## Przekrój wentylatora

Aby zapewnić wystarczającą wentylację urządzenia ze względów bezpieczeństwa, należy przestrzegać informacji o wymaganych przekrojach wentylacji.



## Wymiar szafki



## OSTROŻNIE!

Jakkolwiek awaria produktu spowodowana poniższymi czynnikami nie jest objęta gwarancją.

1. Niewłaściwe warunki w miejscu montażu lub nieprawidłowe wymiary szafek.
2. Wadliwa szafka.
3. Błędy instalatora lub użytkownika.

## Prześwit

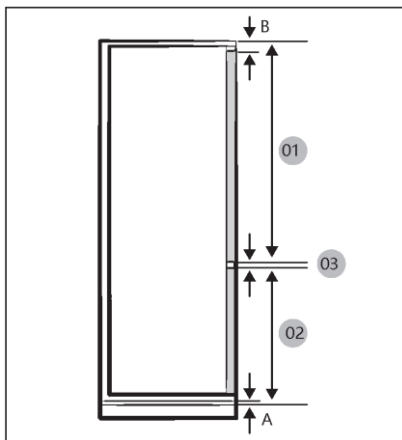
Poniższe zdjęcia i tabele przedstawiają wymagania przestrzenne dotyczące montażu.

Model		A (mm)	B (mm)	C (mm)	D (mm)	E (mm)	Uwaga
HBW7518C HBW7518DT	Min.	50	400	560	1778	560	Zawias: 17 mm
	Zalecane			580	1780	562	
	Max.			-	1782	568	



## **i** UWAGA

- Jeśli szerokość szafki jest większa niż 568 mm, uszczelka (między lodówką a szafką) może się poluzować.
- Jeżeli szafka jest wyższa niż maksymalny wymiar (1782 mm), należy zastosować inne materiały wykończeniowe w celu wypełnienia szczeliny.



## **i** UWAGA

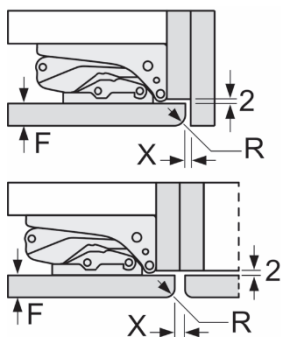
Aby zainstalować szafkę wymagającą odstępu 4 mm (03), zapoznaj się z poniższą tabelą referencyjną szafy.

- A. Dolna krawędź panelu przedniego nad kratką wentylacyjną
- B. Zwis panelu przedniego

(jednostka: mm)

Model	HBW7518C HBW7518DT
01	Min. 1028+B Max. 1106+B
02	Min. 662+A Max. 740+A
03	4 mm (szczelina w panelu drzwi lodówki i zamrażarki)

Zalecane wymiary szczeliny dla zawiasów płaskich (dla zawiasów stałych i miękkich).

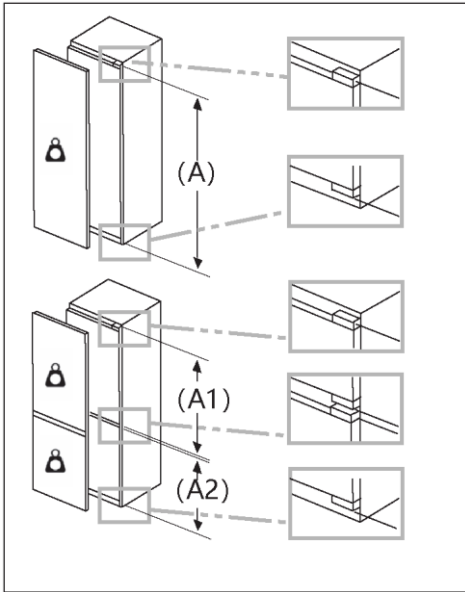


(jednostka: mm)

F	R	X
16-19	0-3	2,5
20	0-1	3
	2-3	2,5
21	0-1	3
	2-3	2,5
22	0	4
	1	3,5
	2-3	3

Należy przestrzegać wymiarów szczelin zalecanych w tabeli, aby drzwi urządzenia z niczym nie kolidowały podczas otwierania i aby uniknąć uszkodzenia mebli kuchennych.

## Maksymalna dopuszczalna waga frontów urządzenia



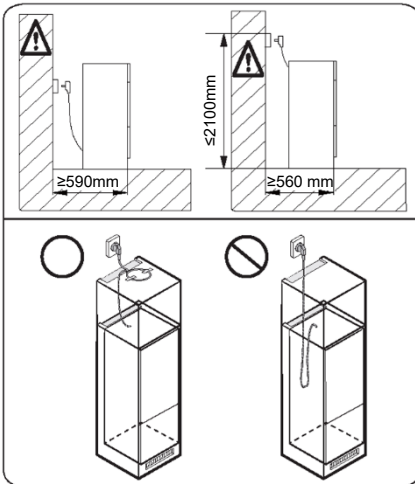
Zamontowane fronty mebli o wadze przekraczającej dopuszczalną masę mogą spowodować uszkodzenia i pogorszenie funkcjonalności zawiasów.



**Waga**  
(kg)

1500-1750 mm	22
720-1400 mm	19
A1	15
A2	15

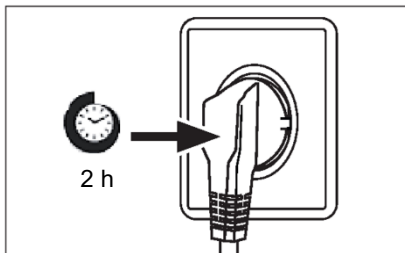
**Należy wziąć pod uwagę lokalizację gniazdka elektrycznego i wymaganą przestrzeń**



### UWAGA

Jeśli instalujesz lodówkę w szafce o głębokości 560 mm, przed podłączeniem do gniazdka elektrycznego upewnij się, że przewód zasilający jest ułożony z boku lodówki. Jeśli przewód zasilający znajduje się z tyłu lodówki, może to zmniejszyć efektywność energetyczną.

### Czas oczekiwania



W zbiorniku sprężarki znajduje się olej bezobsługowy. Olej ten może przedostać się poprzez zamknięty system rur podczas transportu w pozycji przechylonej. Przed podłączeniem urządzenia do zasilania trzeba odczekać co najmniej 2 godziny, aby olej spłynął z powrotem do zbiornika.

### Podłączenie do prądu

Przed każdym podłączeniem sprawdź, czy:

- ▶ zasilacz, gniazdo i bezpieczniki odpowiadają parametrom podanym na tabliczce znamionowej.
- ▶ gniazdko jest uziemione i nie zastosowano rozgałęźnika lub przedłużacza.
- ▶ wtyczka i gniazdko są ściśle zgodne.

Podłącz wtyczkę do prawidłowo zainstalowanego gniazdka domowego.



## **OSTRZEŻENIE!**

Aby uniknąć ryzyka, uszkodzony przewód zasilający musi być wymieniony przez serwis (zob. karta gwarancyjna).

## Karta produktu zgodnie z rozporządzeniem UE nr 2019/2016

Marka	Haier	Haier
Nazwa/identyfikator modelu	HBW7518C	HBW7518DT
Kategoria modelu	Chłodziarko-zamrażarka	Chłodziarko-zamrażarka
Klasa efektywności energetycznej	C	D
Roczne zużycie energii (kWh/rok)(1)	146	180
Całkowita pojemność (l)	268	268
Pojemność chłodziarki (l)	182	182
Pojemność zamrażarki (l)	86	86
Sekcja agregatu chłodniczego (l)	/	/
Objętość automatycznej kostkarki do lodu (l)	/	/
Oznakowanie gwiazdkami	4	4
Temperatura pozostałych komór >14°C	Nie dotyczy	Nie dotyczy
System bez szronu	Tak	Tak
Wydajność zamrażania (kg/24h)	8	8
Klasyfikacja klimatyczna (2)	SN/N/ST/T	SN/N/ST/T
Klasa emisji hałasu i emisja hałasu akustycznego w powietrzu (db(A) re1 pW)	B 32	B 32
Czas wzrostu temperatury (h)	12	11
Wydajność wytwarzania lodu	/	/
Rodzaj konstrukcji	Do zabudowy	Do zabudowy

Nazwa modelu	Klasa efektywności energetycznej
HBW7518C	C
HBW7518DT	D

Objaśnienie:

• Tak, wyróżnione

(1) Na podstawie wyników badania zgodności norm w ciągu 24 godzin. Rzeczywiste zużycie zależy od użytkownika i lokalizacji urządzenia.

(2) Klasa klimatyczna SN: To urządzenie jest przeznaczone do użytku w temperaturze otoczenia od +10°C do +32°C

Klasa klimatyczna N: To urządzenie jest przeznaczone do użytku w temperaturze otoczenia od +16°C do +32°C

Klasa klimatyczna ST: To urządzenie jest przeznaczone do użytku w temperaturze otoczenia od +16°C do +38°C

Klasa klimatyczna T: To urządzenie jest przeznaczone do użytku w temperaturze otoczenia od +16°C do +43°C

#### Dodatkowe dane techniczne

Napięcie / Częstotliwość	220-240V ~/ 50Hz
Natężenie wejściowe (A)	2
Bezpiecznik główny (A)	16
Płyn chłodzący	R600a
Wymiary (wys./szer./gł. w mm)	1772/540/550

Polecamy nasz system Obsługi Klienta Haier i stosowanie oryginalnych części zamiennych. Jeśli masz problem z urządzeniem, najpierw sprawdź sekcję ROZWIĄZYWANIE PROBLEMÓW.

Jeżeli nie możesz znaleźć rozwiązania, skontaktuj się

- ▶ z lokalnym sprzedawcą lub
- ▶ naszym Europejskim Centrum Obsługi Klienta (zob. poniżej wymienione numery telefonów) lub
- ▶ obszarem serwisu i wsparcia na stronie [www.haier.com](http://www.haier.com), gdzie można aktywować zgłoszenie
- ▶ serwisowe i znaleźć odpowiedzi na najczęściej zadawane pytania.

Zanim skontaktujesz się z naszym działem obsługi, upewnij się, że masz następujące dane. Informacje można znaleźć na tabliczce znamionowej.

Model \_\_\_\_\_

Nr seryjny \_\_\_\_\_

Sprawdź także kartę gwarancyjną dostarczoną z produktem.

Europejskie Centrum Obsługi Klienta		
Kraj*	Numer telefonu	Koszty
Haier Italy (IT)	199 100 912	
Haier Spain (ES)	902 509 123	
Haier Germany (DE)	0180 5 39 39 99	<ul style="list-style-type: none"> <li>• 14 centów/min. telefon stacjonarny</li> <li>• maks. 42 centów/min. telefon komórkowy</li> </ul>
Haier Austria (AT)	0820 001 205	<ul style="list-style-type: none"> <li>• 14,53 centów/min. telefon stacjonarny</li> <li>• maks. 20 centów/min. wszystkie pozostałe</li> </ul>
Haier United Kingdom (UK)	0333 003 8122	
Haier France (FR)	0980 406 409	

\* Numery innych krajów można znaleźć na stronie [www.haier.com](http://www.haier.com)

Haier Europe Trading S.r.l

Oddział Wielka Brytania

Westgate House, Westgate, Ealing

Londyn, W5 1YY

\*Okres gwarancji na urządzenie chłodnicze:

Minimalna gwarancja wynosi: 2 lata dla krajów UE, 3 lata dla Turcji, 1 rok dla Wielkiej Brytanii, 1 rok dla Rosji, 3 lata dla Szwecji, 2 lata dla Serbii, 5 lat dla Norwegii, 1 rok dla Maroka, 6 miesięcy dla Algierii, w Tunezji nie jest wymagana gwarancja prawna.

\*Okres dla części zamiennych do naprawy urządzenia:

Termostaty, czujniki temperatury, płytki drukowane i źródła światła są dostępne przez okres co najmniej siedmiu lat od wprowadzenia na rynek ostatniego egzemplarza modelu.

Klamki, zawiasy drzwi, tace i kosze są dostępne przez okres co najmniej siedem lat, a uszczelki drzwi przez okres co najmniej 10 lat od wprowadzenia na rynek ostatniego egzemplarza modelu.

Aby uzyskać więcej informacji o produkcie, odwiedź stronę internetową <https://eprel.ec.europe.eu/> lub zeskanuj kod QR na etykiecie wydajności energetycznej dołączonej do urządzenia.

The Haier logo is displayed in a bold, black, sans-serif font. The background of the page features a white background with several large, overlapping geometric shapes in shades of gray and dark gray, creating a modern, abstract design.

专用号条码

0060536192  
2024 Version A



# Haier

## Manual do Utilizador

Frigorífico-Congelador  
HBW7518C  
HBW7518DT

EN

CZ

DE

EL

ES

FR

HU

IT

NL

PL

PT

RO

PT





**WARNING: Risk of fire/flammable material** **EN**  
The symbol indicates there is a risk of fire since flammable materials are used. Take care to avoid causing a fire by ingiting flammable material.

**VAROVÁNÍ: Nebezpečí Požáru/Hořlavého Materiálu** **CZ**

Symbol označuje riziko požáru, protože byly použity hořlavé materiály. Dbejte na to, aby nedošlo ke vzniku požáru zapálením hořlavého materiálu.

**WARNUNG: Brandgefahr/brennbares Material** **DE**

Das Symbol weist auf Brandgefahr hin, da brennbare Materialien verwendet werden. Verhindern Sie die Entstehung von Bränden, die durch entflammbare Materialien verursacht werden.

**ΠΡΟΣΟΧΗ: Κίνδυνος: φωτιάς/εύφλεκτο υλικό** **EL**

Το σύμβολο υποδεικνύει ότι υπάρχει κίνδυνος φωτιάς επειδή χρησιμοποιούνται εύφλεκτα υλικά. Προσέχετε να αποφεύγετε την πρόκληση φωτιάς από ανάφλεξη εύφλεκτου υλικού.

**ADVERTENCIA: Riesgo de incendio o material inflamable** **ES**

El símbolo indica que existe riesgo de incendio, dado que se utilizan materiales inflamables. Se debe procurar evitar incendios medí ante la combustión de materiales inflamables.

**ATTENTION: Risque d'incendie ou de mati ères inflammables** **FR**

Le symbole montre qu'il y'a le risque de maté riaux inflammables sont utilisés. Prendre soin d'éviter de provoquer un incendie en ingérant des matières inflammables.

**FIGYELEM: Tűz / gyúlékony anyag veszélye** **HU**

A szimbólum azt jelzi, hogy tűzveszély áll fenn, mivel gyúlékony anyagokat használnak. Ügyeljen arra, hogy ne tegyen rá tűzveszélyes gyú lékony anyagot.

**ATTENZIONE: Rischio di incendio/materiale infiammabile** **IT**

Il simbolo indica il rischio di incendio nel caso di utilizzo di materiali infiammabili. Fare attenzione ed evitare l'insorgere di incendi a causa della caombustione di materiali infiammabili.

**WAARSCHUWING: Brandrisico / brandbaar materiaal** **NL**

Het systeem geeft aan dat er een brandrisico bestaat aangezien brandbaar materiaal wordt gebruikt. Zorg ervoor dat er geen brand wordt veroorzaakt door brandbaat materiaal te ont steken.

**OSTRZEŽENIE: Ryzyko pożaru/materiał łatwopalny** **PL**

Symbol wskazuje, że istnieje ryzyko pożaru, ponieważ używane są materiały łatwopalne. Dbaj o to, aby uniknąć pożaru poprzez zapale nie łatwopalnego materiału.

**AVISO: Risco de incêndio e material inflamável** **PT**

O símbolo indica que existe um risco de incêndio, uma vez que são utilizados materiais inflamáveis. Tenha cuidado para evitar provocar um incêndio acendendo material inflamável.

**AVERTISMENT: Risc de incendiu/material inflamabil** **RO**

Simbolul indică că există risc de incendiu deoarece sunt folosite materiale inflamabile. Aveți grijă și evitați incendiile aprinzând mate riale inflamabile.

<u>5</u>	<u>Informações de segurança</u>	•	<u>Antes da primeira utilização</u>	6
			<u>Instalação</u>	6
			<u>Utilização diária</u>	7
			<u>Informações sobre gases refrigerantes</u>	9
<u>10</u>	<u>Utilização prevista</u>	•		
<u>11</u>	<u>Descrição do produto</u>	•		
<u>12</u>	<u>Painel de controlo</u>	•		
<u>13</u>	<u>Utilização</u>	•	<u>Bloquear/desbloquear o painel</u>	13
			<u>Ajustar a temperatura do frigorífico</u>	13
			<u>Ajustar a temperatura do congelador</u>	13
			<u>Função de interconexão</u>	14
			<u>Função ECO</u>	15
			<u>Função Holiday</u>	15
			<u>Função Super Cool</u>	15
			<u>Função Super Freeze</u>	16
			<u>Seleção da função My Zone</u>	17
<u>19</u>	<u>Equipamento</u>	•		
<u>20</u>	<u>Dicas de poupança de energia</u>	•		
<u>21</u>	<u>Cuidados e limpeza</u>	•		
<u>23</u>	<u>Resolução de problemas</u>	•		
<u>27</u>	<u>Instalação</u>	•		
<u>33</u>	<u>Dados técnicos</u>	•		
<u>35</u>	<u>Assistência ao cliente</u>	•		

## Obrigado por comprar um produto Haier.

Leia atentamente estas instruções antes de utilizar este aparelho. As instruções contêm informações importantes que irão ajudá-lo a obter o melhor proveito do aparelho e garantir a instalação, o uso e a manutenção seguros e adequados.

Mantenha este manual num local conveniente para que o possa sempre consultar para uma utilização segura e adequada do aparelho.

Se vender, oferecer ou deixar o aparelho para trás, caso mude de casa, certifique-se de que entrega também este manual para que o novo proprietário se possa familiarizar com o aparelho e os avisos de segurança.

## Accessórios

Verifique os acessórios e a literatura de acordo com esta lista:



**AVISO – Informação importante de segurança****NOTA – Informações gerais e dicas****Informação ambiental****Eliminação**

Ajude a proteger o ambiente e a saúde humana. Coloque a embalagem em recipientes adequados para reciclagem. Ajude a reciclar resíduos de aparelhos elétricos e eletrônicos. Não elimine os aparelhos identificados com este símbolo com o lixo doméstico. Entregue o produto na sua unidade de reciclagem local ou entre em contacto com seu gabinete municipal.

**AVISO!**

Risco de lesão ou sufocação!

Os refrigerantes e os gases devem ser eliminados de forma profissional. Certifique-se de que os tubos do circuito refrigerante não estão danificados antes de serem devidamente eliminados. Desligue o aparelho da alimentação elétrica. Corte o cabo de alimentação de rede e elimine-o. Remova as bandejas e gavetas, bem como a pega e vedantes da porta, para evitar que crianças e animais de estimação se fechem no interior do aparelho.

## Antes de ligar o aparelho pela primeira vez, leia as seguintes dicas de segurança!:



### AVISO!

#### Antes da primeira utilização

- ▶ Certifique-se de que não há danos provocados pelo transporte.
- ▶ Aguarde no mínimo duas horas antes de instalar o aparelho, de forma a garantir que o circuito refrigerante está com eficiência total.
- ▶ Manuseie o aparelho sempre com pelo menos duas pessoas porque é pesado.
- ▶ Remova todos os materiais de embalagem e mantenha fora do alcance das crianças e elimine-os de forma ecológica.
- ▶ Limpe o interior e o exterior do aparelho com água e um detergente suave antes de colocar qualquer alimento no seu interior.
- ▶ Após o aparelho ter sido nivelado e limpo, aguarde pelo menos 2 a 5 horas antes de o ligar à rede elétrica. Consulte a secção INSTALAÇÃO.
- ▶ Pré-arrefeça os compartimentos em definições elevadas antes de carregar com alimentos. A função Power-Freeze ajuda a arrefecer rapidamente os compartimentos.
- ▶ A temperatura do frigorífico e a temperatura do congelador são automaticamente definidas para 5°C e -18 °C, respetivamente. Estas são as definições recomendadas. Se desejar, pode alterar estas temperaturas manualmente. Ver AJUSTAR A TEMPERATURA.

#### Instalação

- ▶ O aparelho deve ser colocado num local bem ventilado. Certifique-se de que existe um espaço de, pelo menos, 10 cm por cima e ao redor do aparelho.
- ▶ Nunca coloque o aparelho numa área húmida ou num local onde possa ser salpicado com água. Limpe e seque as salpicos de água e manchas com um pano macio limpo.
- ▶ Não instale o aparelho sob luz solar direta ou na proximidade de fontes de calor (por exemplo, fogões, aquecedores).
- ▶ Instale e nivele o aparelho numa área adequada para o seu tamanho e utilização.
- ▶ Mantenha as aberturas de ventilação no aparelho ou na estrutura embutida livres de obstruções.
- ▶ Certifique-se de que as informações elétricas na placa de classificação correspondem à rede elétrica. Se não, entre em contato com um electricista.
- ▶ O aparelho é operado por uma fonte de alimentação de 220-240 VAC/50 Hz. Uma flutuação da tensão anormal pode fazer com que o aparelho não ligue ou danifique o controlo da temperatura ou o compressor, ou pode haver um ruído anormal durante o funcionamento. Nesse caso, deve ser montado um regulador automático.
- ▶ Não use adaptadores de fichas múltiplas nem cabos de extensão.
- ▶ Não coloque tomadas triplas múltiplas portáteis ou fontes de alimentação portáteis na parte traseira do aparelho.
- ▶ Certifique-se de que o cabo de alimentação não fica preso pelo frigorífico. Não pise o cabo de alimentação.



## AVISO!

- ▶ Use uma tomada de terra separada para a rede elétrica que seja fácil de aceder. Este aparelho deve ser ligado à terra.  
Apenas para o Reino Unido: O cabo de alimentação do aparelho está equipado com uma ficha de 3 cabos (terra) que se encaixa numa tomada standard de 3 cabos (ligada à terra). Nunca corte ou desmonte o terceiro pino (terra). Após a instalação do aparelho, a tomada deve ficar acessível.
- ▶ Não danifique o circuito refrigerante.

## Utilização diária

- ▶ Este aparelho pode ser utilizado por crianças de idade igual ou superior a 8 anos e por pessoas com capacidades físicas, sensoriais ou mentais reduzidas ou falta de experiência e conhecimento, caso lhes tenha sido fornecida supervisão ou instruções relativas à utilização do aparelho de forma segura e desde que compreendam os perigos envolvidos.
- ▶ As crianças de 3 a 8 anos são autorizadas a carregar e descarregar, mas não podem limpar e instalar os aparelhos de refrigeração.
- ▶ Mantenha as crianças com menos de 3 anos de idade afastadas do aparelho, a menos que estejam constantemente sob supervisão.
- ▶ As crianças não devem brincar com o aparelho.
- ▶ Se o gás refrigerante ou outro gás inflamável verter perto do aparelho, desligue a válvula do gás de fuga, abra as portas e janelas e não desligue uma ficha no cabo de alimentação do frigorífico ou de qualquer outro aparelho.
- ▶ Notar que o aparelho está definido para funcionar num intervalo de temperatura ambiente específico entre 10 °C e 43 °C. O aparelho não pode funcionar corretamente se for deixado por um longo período a uma temperatura acima ou abaixo do intervalo indicado.
- ▶ Não coloque artigos instáveis (objetos pesados, recipientes cheios de água) em cima do frigorífico, para evitar lesões pessoais causadas por queda ou choque elétrico causado pelo contacto com a água.
- ▶ Não puxe pelas prateleiras da porta. A porta pode inclinar-se, o suporte de garrafas pode sair para fora ou o aparelho pode tombar.
- ▶ Abra e feche as portas apenas pelas pegas. O espaço entre as portas e entre as portas e o armário é muito estreito. Não ponha as mãos nessas áreas para evitar entalar os dedos. Abra ou feche as portas do frigorífico apenas quando não houver crianças dentro do alcance do movimento das portas.

**AVISO!**

- ▶ Não guarde nem use materiais inflamáveis, explosivos ou corrosivos no aparelho ou nas proximidades.
- ▶ Não guarde medicamentos, bactérias ou agentes químicos no aparelho. Este aparelho é um eletrodoméstico. Não é recomendado armazenar materiais que necessitem de temperaturas rigorosas.
- ▶ Nunca guarde líquidos em garrafas ou latas (exceto bebidas alcoólicas) especialmente bebidas gaseificadas no congelador, porque estas rebentam quando congeladas.
- ▶ Verifique o estado dos alimentos caso ocorra aquecimento no congelador.
- ▶ Não ajuste uma temperatura desnecessariamente baixa no frigorífico. Podem ocorrer temperaturas negativas com altas definições. Atenção: As garrafas podem rebentar
- ▶ Não toque em artigos congelados com as mãos húmidas (use luvas). Especialmente não coma gelados de gelo imediatamente depois de os retirar do congelador. Existe o risco de congelar ou de se formarem bolhas de queimadura por gelo. PRIMEIROS socorros: passar imediatamente por água fria corrente. Não puxe!
- ▶ Não toque na superfície interna do compartimento do congelador, quando em funcionamento, especialmente com as mãos molhadas, pois as mãos podem congelar na superfície.
- ▶ Desligue o aparelho em caso de interrupção da energia ou antes da limpeza. Deixe passar pelo menos 7 minutos antes de reiniciar o aparelho, pois o arranque frequente pode danificar o compressor.
- ▶ Não utilize dispositivos elétricos no interior dos compartimentos para armazenamento de comida do aparelho, a não ser que sejam do tipo recomendado pelo fabricante. Manutenção/limpeza
- ▶ Certifique-se de que as crianças estão vigiadas caso estejam a realizar a limpeza e manutenção.
- ▶ Desligue o aparelho da alimentação elétrica antes de realizar qualquer manutenção de rotina. Deixe passar pelo menos 5 minutos antes de voltar a ligar o aparelho pois o arranque frequente pode danificar o compressor.



**AVISO!**

- ▶ Segure a ficha, não o cabo, ao desligar o aparelho.
- ▶ Não limpe o aparelho com escovas duras, escovas de arame, detergente em pó, gasolina, acetato de amilo, acetona e soluções orgânicas semelhantes, soluções ácidas ou alcalinas. Limpe com detergente especial do frigorífico para evitar danos.
- ▶ Não raspe o gelo com objetos afiados. Não use sprays, aquecedores elétricos, como secadores de cabelo, dispositivos de limpeza a vapor ou outras fontes de calor, de forma a evitar danos às peças plásticas.
- ▶ Não utilize dispositivos mecânicos ou outros meios para acelerar o processo de descongelação, que não os recomendados pelo fabricante.
- ▶ Se o cabo de alimentação estiver danificado, tem de ser substituído pelo fabricante, pelo agente de serviço ou por pessoas igualmente qualificadas de forma a evitar o perigo.
- ▶ Não tente reparar, desmontar ou modificar o aparelho sozinho. Em caso de reparação, entre em contacto com a nossa assistência ao cliente.
- ▶ Elimine o pó na parte de trás da unidade pelo menos uma vez no ano para evitar perigo de incêndio, bem como o aumento do consumo de energia.
- ▶ Não pulverize ou lave o aparelho durante a limpeza.
- ▶ Não use spray de água ou vapor para limpar o aparelho.
- ▶ Não lave prateleiras de vidro frias com água quente. A mudança súbita de temperatura pode fazer com que o vidro se quebre.

**Informações sobre gases refrigerantes****AVISO!**

O aparelho contém o refrigerante inflamável ISOBUTANO (R600a). Certifique-se de que o circuito refrigerante não fica danificado durante o transporte ou instalação. A fuga de refrigerante pode causar lesões oculares ou inflamações. Se ocorrer um dano, mantenha afastadas fontes de chama aberta, ventile completamente a sala, não ligue ou desligue os cabos de alimentação do eletrodoméstico ou de qualquer outro aparelho. Informe a assistência ao cliente.

No caso de os olhos entrarem em contacto com o fluido refrigerante, lave-os imediatamente sob água corrente e contacte imediatamente um oftalmologista.

## **Utilização prevista**

Este aparelho destina-se a arrefecer e congelar alimentos. Foi desenhado exclusivamente para uso em aplicações domésticas e semelhantes, como áreas de cozinha para pessoal em lojas, escritórios e outros ambientes de trabalho; casas agrícolas e por clientes em hotéis, motéis e outros ambientes de tipo residencial, bem como em negócios de pousada e de catering. Não se destina a utilização comercial ou industrial.

Não são permitidas alterações ou modificações no aparelho. Uma utilização indevida pode causar riscos e perda de reivindicações de garantia.

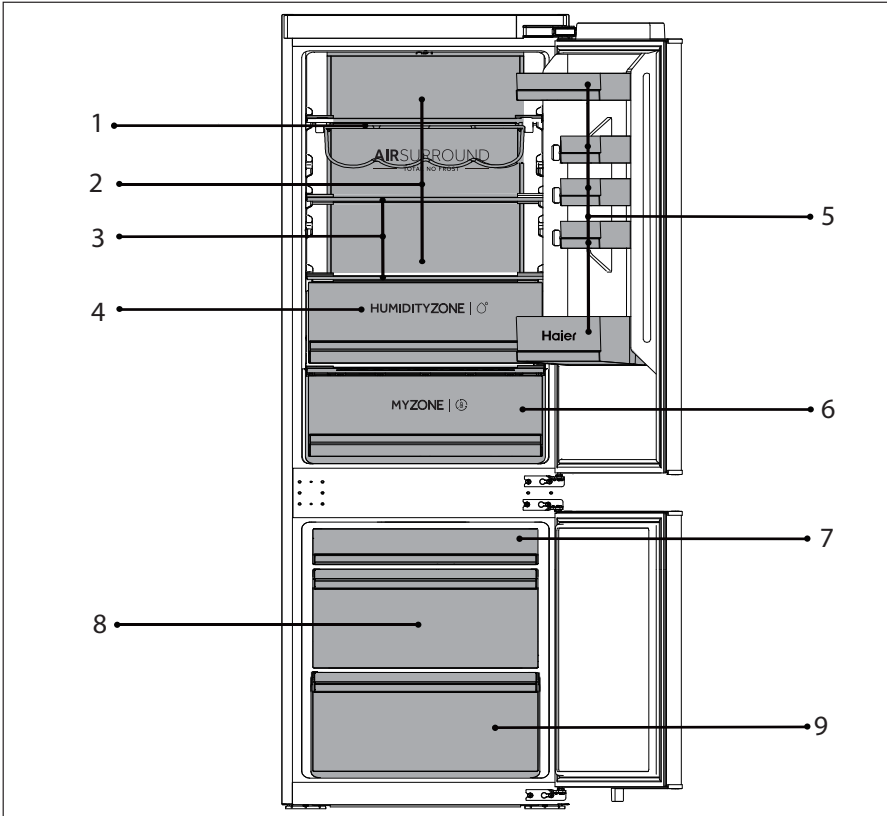
## **Normas e diretivas**

Este produto cumpre os requisitos de todas as diretivas CE aplicáveis com as normas harmonizadas correspondentes, que permitem a marcação CE.



## AVISO

Devido a alterações técnicas e a modelos diferentes, algumas das ilustrações neste manual podem ser diferentes do seu modelo.



### HBW7518C/HBW7518DT

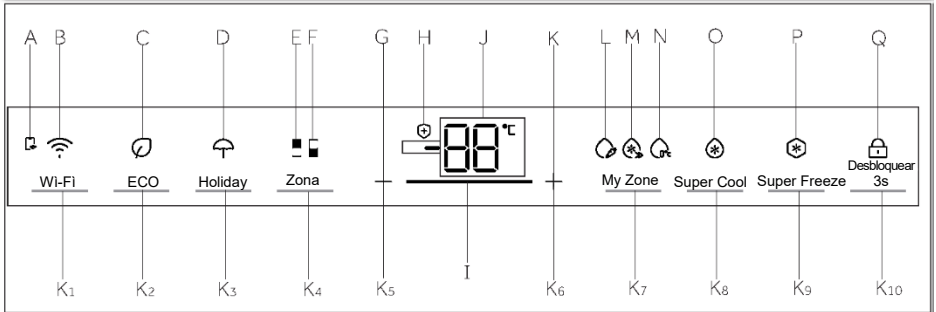
#### A: Câmara de refrigeração

- 1 Suporte para vinho
- 2 Conduta de ar refrigerado
- 3 Prateleiras normais
- 4 Gaveta Humidity Zone
- 5 Suporte para garrafas
- 6 Gaveta MyZone

#### B: Câmara de congelação

- 7 Gaveta do congelador superior
- 8 Gaveta do congelador intermédia
- 9 Gaveta do congelador inferior

## Painel de controlo



### Indicadores:

- A Ligação à APP móvel
- B Função Wi-Fi
- C Função ECO
- D Função Holiday
- E Indicador de frigorífico
- F Indicador do congelador
- G Ajuste de temperatura "-"
- H Função bactericida
- I Indicação do efeito da força da engrenagem
- J Indicação da temperatura
- K Regulação da temperatura "+"
- L Função Fruit&Veg
- M Função QuickCool
- N Função 0°C Fresh
- O Função Super Cool
- P Função Super Freeze
- Q Bloquear e desbloquear

### Botões:

- K<sub>1</sub> Botão de definição de Wi-Fi
- K<sub>2</sub> Botão de função ECO
- K<sub>3</sub> Botão de função Holiday
- K<sub>4</sub> Botão de seleção de zona
- K<sub>5</sub> Botão de regulação da temperatura "-"
- K<sub>6</sub> Botão Ajuste de Temperatura "+"
- K<sub>7</sub> Botão de seleção da função My Zone
- K<sub>8</sub> Botão de seleção Super Cool
- K<sub>9</sub> Botão de seleção Super Freeze
- K<sub>10</sub> Botão de bloqueio e desbloqueio

## Botões do sensor

Os botões no painel de controlo são teclas de sensor que respondem logo quando tocadas levemente com o dedo.

## Ligar/desligar o aparelho

O aparelho fica em funcionamento assim que for ligado à rede elétrica.

Quando o frigorífico é ligado pela primeira vez, o indicador "J" (visor de temperatura) acende-se. A temperatura do frigorífico e a temperatura do congelador são automaticamente regulados para 5 °C e -18 °C, respetivamente. O indicador "M" (ecrã QuickCool) acende-se.

A My Zone é automaticamente definida para a função QuickCool.

Provavelmente o bloqueio do painel está ativo.



## AVISO

Quando o aparelho é ligado após a desconexão da fonte de alimentação principal, pode levar até 12 horas para que as temperaturas corretas sejam alcançadas.

Esvazie o aparelho antes de desligar. Para desligar o aparelho, puxe o cabo de alimentação para fora da tomada de alimentação.

### Bloquear/desbloquear o painel

**Bloqueio automático:** Quando a porta do frigorífico e a porta do congelador estão fechadas e não há nenhuma operação de tecla dentro de 30 segundos, o ecrã do visor apaga-se e bloqueia automaticamente.

**Bloqueio manual:** Quando o ecrã do visor está desbloqueado, prima o botão "K<sub>10</sub>" (Desbloqueio 3S) e mantenha premido durante 3 segundos, o sinal sonoro toca uma vez, o indicador "Q" (bloqueio do painel) acende-se, e o visor fica bloqueado.

**Desbloquear:** Quando o ecrã do visor está bloqueado, prima o botão "K<sub>10</sub>" (Desbloqueio 3S) e mantenha premido durante 3 segundos, o sinal sonoro toca uma vez, o indicador "Q" (bloqueio do painel) apaga-se, e o visor fica desbloqueado.

### Ajustar a temperatura

As temperaturas interiores são influenciadas pelos seguintes fatores:

Temperatura ambiente, frequência de abertura da porta, quantidade de alimentos armazenados, instalação do aparelho.

### Ajustar a temperatura do frigorífico

Quando o ecrã do visor estiver desbloqueado, prima o botão "K<sub>4</sub>" (Seletor de Zona). O sinal sonoro toca uma vez, o indicador "E" (Indicador de Frigorífico) acende-se, e depois entra-se no modo de regulação da temperatura do frigorífico.

Prima o botão "K<sub>5</sub>" (Botão de ajuste de temperatura "-") sempre que, o sinal sonoro toca uma vez, a temperatura definida do frigorífico será reduzida em 1. A temperatura do frigorífico irá exibir na sequência de "9°C -> 8°C -> 7°C -> 6°C -> 5°C -> 4°C -> 3°C -> 2°C -> 1°C".

Prima o botão "K<sub>6</sub>" (botão de ajuste de temperatura "+") sempre que, o sinal sonoro toca uma vez, a temperatura definida do frigorífico será aumentada em 1. A temperatura do frigorífico irá ser exibida na sequência de "1°C -> 2°C -> 3°C -> 4°C -> 5°C -> 6°C -> 7°C -> 8°C -> 9°C".



## AVISO

Após a regulação da temperatura, se não houver operação dentro de 5 segundos, o sistema fica automaticamente determinado e memoriza a temperatura regulada.

## Ajustar a temperatura do congelador

Quando o ecrã do visor estiver desbloqueado, prima o botão "K<sub>4</sub>" (Seletor de Zona). O sinal sonoro toca uma vez, o indicador "F" (Indicador do Congelador) pisca, e depois entra-se no modo de regulação da temperatura do congelador.

Prima o botão "K<sub>5</sub>" (Botão de ajuste de temperatura "-") sempre que, o sinal sonoro toca uma vez, a temperatura definida do congelador será reduzida em 1.

A temperatura do congelador é exibida na sequência de "-14°C -> -15°C -> -16°C -> -17°C -> -18°C -> -19°C -> -20°C -> -21°C -> -22°C -> -23°C -> -24°C".

Prima o botão "K<sub>6</sub>" (botão de ajuste de temperatura "+") sempre que, o sinal sonoro toca uma vez, a temperatura definida do congelador será aumentada em 1.

A temperatura do congelador é exibida na sequência de "-24°C -> -23°C -> -22°C -> -21°C -> -20°C -> -19°C -> -18°C -> -17°C -> -16°C -> -15°C -> -14°C".



### AVISO

Após a regulação da temperatura, se não houver operação dentro de 5 segundos, o sistema fica automaticamente determinado e memoriza a temperatura regulada.

## Função Wi-Fi

- Quando o ecrã do visor estiver desbloqueado, prima o botão "K<sub>1</sub>" (botão de função Wi-Fi), o sinal sonoro toca uma vez, o indicador "B" (função Wi-Fi) fica no estado brilhante até estar ligado. Depois de a ligação ser bem sucedida, mantenha-a ligada durante algum tempo e, em seguida, a função Wi-Fi será ativada.
- Quando o ecrã do visor estiver desbloqueado, prima o botão "K<sub>1</sub>" (botão da função Wi-Fi), o sinal sonoro toca uma vez, o indicador "B" (função de interligação) apaga-se e, em seguida, a função Wi-Fi é desligada.

## PROCEDIMENTO DE EMPARELHAMENTO NA APLICAÇÃO

Passo 1	• Faça download da aplicação hOn nas lojas
Passo 2	Crie a sua conta na aplicação hOn ou faça login se já tiver uma conta
	Passo 3 Siga as instruções de emparelhamento na aplicação hOn

## Função ECO

1. Quando o ecrã do visor estiver desbloqueado, prima o botão "K<sub>2</sub>" (botão da função ECO), o sinal sonoro toca uma vez, o indicador "C" (função ECO) acende-se e, em seguida, a função ECO é ativada.
2. Quando o ecrã do visor estiver desbloqueado, prima o botão "K<sub>2</sub>" (botão da função ECO), o sinal sonoro toca uma vez, o indicador "C" (função ECO) apaga-se e, em seguida, a função ECO é desligada.

## Função Holiday

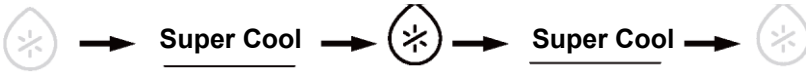
1. Quando o ecrã do visor estiver desbloqueado, prima o botão "K<sub>3</sub>" (botão da função Holiday), o sinal sonoro toca uma vez, o indicador "D" (função Holiday) acende, e depois a função Holiday será ligada.
2. Quando o ecrã do visor estiver desbloqueado, prima o botão "K<sub>3</sub>" (botão da função Holiday), o sinal sonoro toca uma vez, o indicador "D" (função Holiday) apaga-se e, em seguida, a função Holiday é desligada.

## AVISO

1. A função Holiday é utilizada principalmente para viagens de curta duração e outros cenários da vida, e o compartimento do frigorífico deve ser esvaziado quando se utiliza a função Holiday.
2. Na função Holiday, a temperatura do compartimento do frigorífico será mais elevada (cerca de 17°C). Tenha atenção ao esvaziar os alimentos no compartimento do frigorífico para evitar a deterioração dos alimentos.
3. Na função Holiday, a definição dos ícones "Fruit&Veg, QuickCool, 0°C Fresh" na My Zone será desativada e a temperatura da My Zone não pode ser ajustada. O compartimento do frigorífico e a My Zone serão exibidos na definição anterior assim que sair da função Holiday.

## Função Super Cool

1. Quando o ecrã do visor estiver desbloqueado, prima o botão "K<sub>8</sub>" (seletor Super Cool), o sinal sonoro toca uma vez, o indicador "O" (função Super Cool) acende-se, e depois a função Super Cool é ativada.
2. Quando o indicador "O" (função Super Cool) se acende, prima o botão "K<sub>8</sub>" (seletor Super Cool), o sinal sonoro toca uma vez, o indicador "O" (função Super Cool) apaga-se, e depois a função Super Cool desativa-se.
3. Depois da função Super Cool ser ativada, o frigorífico desliga automaticamente a função quando alcança a temperatura definida. Se pretender sair manualmente, pode premir o botão "K<sub>8</sub>" (seletor Super Cool) para desligar a função.



## AVISO

1. No estado Super Cool, a temperatura do frigorífico não pode ser ajustada. Se for premido um dos botões "K<sub>5</sub>" (Botão de ajuste de temperatura "-") ou "K<sub>6</sub>" (Botão de ajuste de temperatura "+") para ajustar a temperatura do frigorífico, o indicador "O" (Indicador Super Cool) piscará com um som rápido para indicar que esta operação não pode ser realizada.
2. No estado da função Super cool, a função Auto-set não pode ser ativada ao mesmo tempo devido a diferentes modos de controlo. Quando se escolhe uma função que entra em conflito com outra função, a função original é automaticamente desativada.
3. Esta função será desativada automaticamente após 4 horas.

## Função Super Freeze

1. Quando o ecrã do visor está desbloqueado, prima o botão "K<sub>9</sub>" (Seletor Super Freeze), o sinal sonoro toca uma vez, o indicador "P" (função Super Freeze) acende-se, e depois a função Super Freeze é ativada.
2. Quando o indicador "P" (função Super Freeze) acende, prima o botão "K<sub>9</sub>" (seletor Super Freeze), o sinal sonoro toca uma vez, o indicador "P" (função Super Freeze) apaga-se, e depois a função Super Freeze é desativada.



3. Depois da função Super Freeze ser ativada, o frigorífico desliga automaticamente a função quando alcança a temperatura definida. Se pretender sair manualmente, pode premir o botão "K<sub>9</sub>" (seletor Super Freeze) para desligar a função.



## **i** AVISO

1. No estado Super Freeze, a temperatura do congelador não pode ser ajustada. Se for premido um dos botões "K<sub>5</sub>" (Botão de ajuste de temperatura "-") ou "K<sub>6</sub>" (Botão de ajuste de temperatura "+") para ajustar a temperatura do congelador, o indicador "P" (Indicador Super Freeze) piscará com um som rápido para indicar que esta operação não pode ser realizada.
2. A função Super Freeze foi concebida para manter o valor nutricional dos alimentos congelados, pois congela os alimentos no mais curto espaço de tempo. Se se pretender congelar grandes quantidades de alimentos congelados de uma só vez. Entretanto, a função Super Freeze deve ser definida com 24h de antecedência, para que o congelador fique com uma temperatura relativamente baixa para se colocar os alimentos dentro. Neste momento, a velocidade de congelação do congelador é melhorada, os alimentos podem ser congelados rapidamente, a nutrição dos alimentos é efetivamente mantida, e o armazenamento torna-se bastante conveniente.
3. A função Super Freeze desliga-se automaticamente ao fim de 50 horas. O aparelho funciona então à temperatura previamente definida.

## Seleção da função My Zone

Quando o ecrã do visor estiver desbloqueado, prima o botão "K<sub>7</sub>" (botão de seleção da função My Zone), o sinal sonoro toca uma vez, o indicador "L" (função Fruit&Veg) acende-se e, em seguida, a função Fruit&Veg é ativada. Se qualquer um dos botões "K<sub>7</sub>" for premido para selecionar a função My Zone, o sinal sonoro toca novamente e o indicador "M" (função Quick Cool) acende-se, e depois a função QuickCool é ligada. As opções de função My Zone são, por sua vez, "Fruit&Veg, QuickCool e 0°C Fresh".

## **i** AVISO

1. Quando o frigorífico é ligado pela primeira vez, o indicador "L" acende-se, a My Zone são automaticamente definidas para a função QuickCool. Um dos três indicadores de My Zone deve estar aceso. Quando selecionar novamente a função My Zone, o indicador My Zone anteriormente aceso não pode ser selecionado. Apenas uma das três funções pode ser configurada. As três funções excluem-se mutuamente.
2. O número de regulação da temperatura de armazenamento da My Zone não pode ser superior ao número de definição da temperatura de frigorífico.
3. Para reduzir a temperatura do compartimento do frigorífico, utilize a função 0°C Fresh. Para o aumentar, utilize a função Fruit&Veg.

## Gaveta My Zone

O compartimento do frigorífico está equipado com uma gaveta My Zone. De acordo com as necessidades de armazenamento dos alimentos, a temperatura mais adequada pode ser selecionada para obter o valor nutricional ideal dos alimentos. Estão disponíveis os seguintes modos.

### Função Fruit&Veg

Esta função é adequada para armazenar frutas e legumes como maçãs e cenouras, etc.

### Função QuickCool

Esta função é adequada para armazenar bebidas como coca-cola e cerveja, etc.



### AVISO : Fruit&Veg

Frutas sensíveis ao frio como ananases, abacates, bananas, toranjas e legumes como batatas, beringelas, feijão, pepinos, abobrinhas e tomates e queijos não devem ser armazenados na gaveta My Zone.

### Função 0°C Fresh

Esta função regula a temperatura da gaveta My Zone para 0°C. Adequada para armazenar alimentos frescos, como carne ou produtos instantâneos. A maioria dos alimentos permanecem frescos a 0 °C, mas não congelados.



### AVISO : 0°C Fresh

1. Devido aos diferentes teores de água da carne, alguma carne com mais humidade será congelada a temperaturas inferiores a 0°C. Assim, a carne "imediatamente cortada" deve ser armazenada na gaveta My Zone, com temperaturas mínimas de 0°C.
2. Se escolher 0°C Fresh defina a temperatura do compartimento de refrigeração para o nível baixo (inferior a 5°C), a fim de preservar seus alimentos no ambiente de armazenamento ideal.

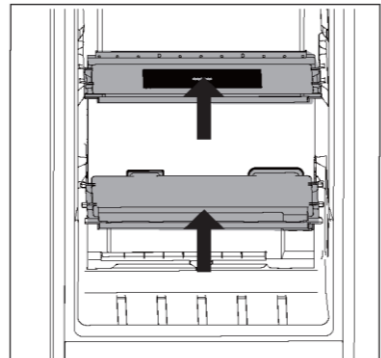
## Gaveta Humidity Zone

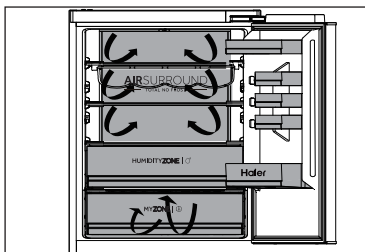
Neste compartimento o nível de humidade é maior do que no compartimento do frigorífico. É controlado automaticamente pelo sistema e é adequado para armazenar frutas, legumes, saladas, etc.



### AVISO

1. Não retire a cobertura plástica dentro das duas zonas.
2. Mantém a humidade.
3. Frutos sensíveis ao frio como ananás, abacate, bananas, toranjas não são recomendados para serem armazenados nestas duas gavetas.



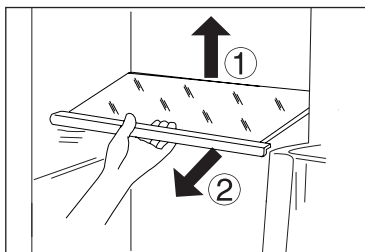


### Fluxo de ar múltiplo

1. O frigorífico está equipado com um sistema de fluxo de ar múltiplo que oferece fluxos de ar frio em cada nível de prateleira. Isso ajuda a manter uma temperatura uniforme para garantir que a sua comida é mantida mais fresca durante mais tempo.

### Prateleiras ajustáveis

1. A altura das prateleiras pode ser ajustada para se adaptar às suas necessidades de armazenamento.
2. Para transferir uma prateleira, remova-a primeiro levantando a sua extremidade traseira ① e puxando-a para fora ②.
3. Para a reinstalar, coloque-a sobre as patilhas dos dois lados e empurre-a para a posição mais para trás até que a parte traseira da prateleira fique fixa no interior das ranhuras nos lados.

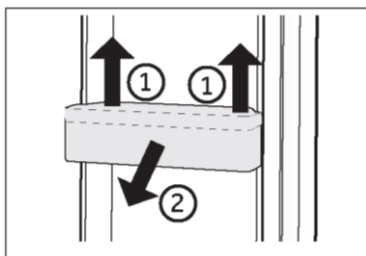


## **i** AVISO

Certifique-se de que todas as extremidades de uma prateleira estão niveladas.

### Prateleiras das portas/suporte de garrafas amovíveis

1. As prateleiras da porta podem ser removidas para limpeza:
2. Coloque as mãos de cada lado da prateleira, levante-a para cima ① e puxe-a para fora ②.
3. Para inserir a prateleira da porta, deve executar os passos acima na ordem inversa.



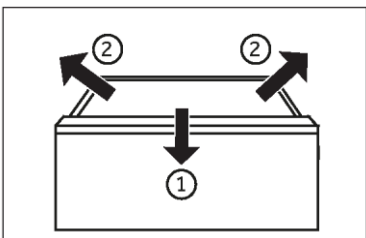
## **i** AVISO

Quando o aparelho é ligado, pode demorar até 12 horas para atingir as temperaturas corretas.

### Gaveta amovível

Para remover a gaveta, puxe até à extensão máxima ①, levante e remova ②

Para inserir a gaveta, os passos acima são executados em ordem inversa.



### A Luz

A luz interior LED acende-se quando a porta é aberta. O desempenho das luzes não é afetado por nenhuma das outras definições de aparelhos.



## Dicas de poupança de energia

- ▶ Certifique-se de que o aparelho está devidamente ventilado (ver INSTALAÇÃO).
- ▶ Não instale o aparelho sob luz solar direta ou na proximidade de fontes de calor (por exemplo, fogões, aquecedores).
- ▶ Evite temperaturas desnecessariamente baixas no aparelho. O consumo de energia aumenta quanto menor for a temperatura do aparelho.
- ▶ As funções como Super Freeze consomem mais energia.
- ▶ Deixe os alimentos arrefecer antes de os colocar no aparelho.
- ▶ Abra a porta do aparelho o mínimo e tão brevemente quanto possível.
- ▶ Não encha demasiado o aparelho para evitar obstruir o fluxo de ar.
- ▶ Evite ar dentro das embalagens de alimentos.
- ▶ Mantenha os vedantes da porta limpos para que a porta feche sempre corretamente.
- ▶ Descongele alimentos congelados no frigorífico.
- ▶ A configuração mais economizadora de energia requer que o aparelho mantenha as gavetas, caixa de comida e prateleiras em condições de frescura de fábrica, e os alimentos devem ser colocados tanto quanto possível, sem bloquear a saída de ar da conduta.



## AVISO!

Desligue o aparelho da rede elétrica antes de limpar.

### Limpeza

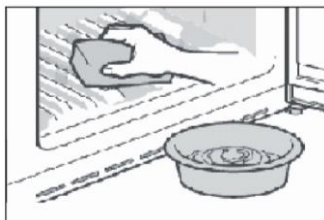
Limpe o aparelho quando apenas tiver armazenado pouca ou nenhuma comida.

O aparelho deve ser limpo a cada quatro semanas para uma boa manutenção e para evitar maus odores de alimentos armazenados.



## AVISO!

- ▶ Não limpe o aparelho com escovas duras, escovas de arame, detergente em pó, gasolina, acetato de amilo, acetona e soluções orgânicas semelhantes, soluções ácidas ou alcalinas. Limpe com detergente especial do frigorífico para evitar danos.
- ▶ Não pulverize ou lave o aparelho durante a limpeza.
- ▶ Não use spray de água ou vapor para limpar o aparelho.
- ▶ Não lave as prateleiras de vidro frias com água quente. A mudança súbita de temperatura pode fazer com que o vidro se quebre.
- ▶ Não toque na superfície interna do compartimento do congelador, especialmente com as mãos molhadas, pois as mãos podem congelar na superfície.
- ▶ No caso de aquecimento, verificar a condição das mercadorias congeladas.



- ▶ Mantenha a junta de vedação da porta sempre limpa.
- ▶ Limpe o interior e a caixa do aparelho com uma esponja molhada em água morna e detergente neutro.
- ▶ 1. Esfregue o interior e o exterior do frigorífico, incluindo junta do vedante da porta, prateleira da porta, prateleiras de vidro, caixas e assim por diante, com uma toalha macia ou esponja embebida em água morna (pode adicionar-se detergente neutro).
- ▶ 2. Se houver líquido derramado, remova todas as partes contaminadas, lave-as diretamente com água corrente, seque e coloque novamente no frigorífico.
- ▶ 3. Se houver derramamento de produtos cremosos (como natas, gelado derretido), remova todas as peças contaminadas, coloque-as em água morna a cerca de 40 °C durante algum tempo, passe por água corrente, seque e volte a colocar no frigorífico.
- ▶ 4. Caso alguma peça ou componente pequeno fique preso no interior do frigorífico (entre as prateleiras ou gavetas), utilize uma pequena escova macia para o libertar. Se não conseguir chegar à peça contacte a assistência Haier
- ▶ Enxague e seque com um pano macio.
- ▶ Não limpe nenhuma das peças do aparelho numa máquina de lavar loiça.
- ▶ Deixe passar pelo menos 5 minutos antes de voltar a ligar o aparelho pois o arranque frequente pode danificar o compressor.

### Descongelamento

O descongelamento do frigorífico e do congelador é feito automaticamente; sem necessidade de operação manual.

## Substituir as lâmpadas LED



### AVISO!

Não substitua a luz LED sozinho, esta apenas deve ser substituída pelo fabricante ou por um agente de serviço autorizado.

A lâmpada é do tipo LED com um baixo consumo de energia e longa vida útil. Se houver alguma anomalia, entre em contacto com a assistência ao cliente. Consultar a ASSISTÊNCIA AO CLIENTE.

Parâmetros das lâmpadas:

Compartimento do frigorífico: 12 V máx. 2 W

Compartimento do congelador: 12 V máx. 2 W

### Não utilizar durante um período prolongado

Se o aparelho não for utilizado durante um longo período de tempo e não for utilizar a função Holiday para o frigorífico:

Retire os alimentos.

Desligue o cabo de alimentação.

Limpe o aparelho conforme descrito acima.

Mantenha as portas abertas para evitar a criação de maus odores no interior.



### AVISO

Desligue o aparelho apenas se estritamente necessário.

### Mover o aparelho

1. Remova todos os alimentos e desligue o aparelho.
2. Fixe as prateleiras e outras peças móveis no frigorífico e no congelador com fita adesiva.
3. Não incline o frigorífico mais de 45° para evitar danificar o sistema de refrigeração.



### AVISO!

- ▶ Não levante o aparelho pelas suas pegas.
- ▶ Nunca coloque o aparelho na horizontal no chão.

Muitos problemas que ocorrem podem ser resolvidos por si mesmo sem experiência específica. Em caso de problema, por favor verifique todas as possibilidades apresentadas e siga as instruções abaixo antes de contactar um serviço pós-venda. Consultar a ASSISTÊNCIA AO CLIENTE.



## AVISO!

- ▶ Antes da manutenção, desative o aparelho e desligue a ficha da tomada.
- ▶ Os equipamentos elétricos devem ser reparados apenas por eletricitistas qualificados, uma vez que reparações inadequadas podem causar danos consequenciais consideráveis.
- ▶ Se o cabo de alimentação estiver danificado, este apenas pode ser substituído pelo fabricante, pelo agente de serviço ou por pessoas igualmente qualificadas de forma a evitar o perigo.

Problema	Causa possível	Possível solução
O compressor não funciona.	<ul style="list-style-type: none"> <li>• A ficha de alimentação não está ligada na tomada de alimentação.</li> <li>• O aparelho está no ciclo de descongelamento</li> </ul>	<ul style="list-style-type: none"> <li>• Ligue a ficha de alimentação.</li> <li>• Isto é normal para um descongelamento automático</li> </ul>
O aparelho funciona frequentemente ou funciona por um período de tempo demasiado longo.	<ul style="list-style-type: none"> <li>• A temperatura interior ou exterior é muito alta.</li> <li>• O aparelho foi desligado da alimentação por um período de tempo.</li> <li>• Uma porta do aparelho não está bem fechada.</li> <li>• A porta foi aberta com muita frequência ou por muito tempo.</li> <li>• A regulação da temperatura para o congelador é muito baixa.</li> <li>• A junta de vedação da porta está suja, gasta, partida ou desalinhada.</li> <li>• A circulação de ar necessária não é garantida.</li> </ul>	<ul style="list-style-type: none"> <li>• Neste caso, é normal que o aparelho funcione mais tempo.</li> <li>• Normalmente, demora 8 a 12 horas até o aparelho arrefecer completamente.</li> <li>• Feche a porta/gaveta e certifique-se de que o aparelho está localizado num piso plano e de que não existe qualquer alimento ou recipiente a obstruir a porta.</li> <li>• Não abra a porta/gaveta com muita frequência.</li> <li>• Ajuste uma temperatura mais elevada até obter uma temperatura satisfatória do frigorífico. Demora 24 horas até a temperatura do frigorífico se tornar estável.</li> <li>• Limpe a junta de vedação da porta/gaveta ou peça à assistência ao cliente que a substitua.</li> <li>• Assegure uma ventilação adequada.</li> </ul>
O interior do frigorífico está sujo e/ou com cheiros.	<ul style="list-style-type: none"> <li>• O interior do frigorífico precisa de ser limpo.</li> <li>• Alimentos com forte odor estão armazenados no frigorífico.</li> </ul>	<ul style="list-style-type: none"> <li>• Limpe o interior do frigorífico.</li> <li>• Embrulhe os alimentos completamente.</li> </ul>

Problema	Causa possível	Possível solução
Não está frio o suficiente dentro do aparelho	<ul style="list-style-type: none"> <li>• A temperatura definida é demasiado alta.</li> <li>• Foram guardados alimentos demasiado quentes.</li> <li>• Foram armazenados demasiados alimentos de uma vez.</li> <li>• Os produtos estão demasiado próximos uns dos outros.</li> <li>• Uma porta/gaveta do aparelho não está bem fechada.</li> <li>• A porta/gaveta foi aberta com muita frequência ou durante muito tempo.</li> </ul>	<ul style="list-style-type: none"> <li>• Repor a temperatura.</li> <li>• Arrefeça os alimentos antes de os guardar.</li> <li>• Guarde sempre pequenas quantidades de alimentos.</li> <li>• Deixe um intervalo entre os vários alimentos permitindo o fluxo de ar.</li> <li>• Feche a porta/gaveta.</li> <li>• Não abra a porta/gaveta com muita frequência.</li> </ul>
Está demasiado frio no interior do aparelho.	<ul style="list-style-type: none"> <li>• A temperatura é demasiado baixa.</li> <li>• A função Super Freeze/Super Cool está ativada ou está a funcionar há demasiado tempo.</li> </ul>	<ul style="list-style-type: none"> <li>• Repor a temperatura.</li> <li>• Desligue a função Super Freeze/Super Cool</li> </ul>
Formação de humidade no interior do compartimento do frigorífico.	<ul style="list-style-type: none"> <li>• O clima é demasiado quente e demasiado húmido.</li> <li>• Uma porta/gaveta do aparelho não está bem fechada.</li> <li>• A porta/gaveta foi aberta com muita frequência ou durante muito tempo.</li> <li>• Recipientes para alimentos ou líquidos foram deixados abertos.</li> </ul>	<ul style="list-style-type: none"> <li>• Aumente a temperatura.</li> <li>• Feche a porta/gaveta.</li> <li>• Não abra a porta/gaveta com muita frequência.</li> <li>• Deixe os alimentos quentes arrefecerem até à temperatura ambiente e cubra os alimentos e líquidos.</li> </ul>
A humidade acumula-se nos frigoríficos fora da superfície ou entre as portas/porta e gaveta.	<ul style="list-style-type: none"> <li>• O clima é demasiado quente e demasiado húmido.</li> <li>• A porta não está totalmente fechada. O ar frio no aparelho e o ar quente no exterior condensam.</li> </ul>	<ul style="list-style-type: none"> <li>• Isso é normal num clima húmido e mudará quando a humidade diminuir.</li> <li>• Certifique-se de que a porta/gaveta está bem fechada.</li> </ul>
A luz da tela funciona, mas não parece fria.	<ul style="list-style-type: none"> <li>• Está em modo de demonstração.</li> </ul>	<ul style="list-style-type: none"> <li>• Observe em que condições ele se encontra, se estiver no modo Demo, saia dele. Sair: Segure o botão "ECO" e clique na tecla "Super Freeze" 5 vezes em 5s.</li> </ul>



Problema	Causa possível	Possível solução
Gelo forte e geada no compartimento do congelador.	<ul style="list-style-type: none"> <li>Os alimentos não foram devidamente embalados.</li> <li>Uma porta/gaveta do aparelho não está bem fechada.</li> <li>A porta/gaveta foi aberta com muita frequência ou durante muito tempo.</li> <li>A junta de vedação da porta/gaveta está suja, gasta, fissurada ou não é adequada.</li> <li>Algo no interior está a impedir que a porta/gaveta feche corretamente.</li> </ul>	<ul style="list-style-type: none"> <li>Embale sempre bem os alimentos.</li> <li>Feche a porta/gaveta.</li> <li>Não abra a porta/gaveta com muita frequência.</li> <li>Limpe a junta de vedação da porta/gaveta ou substitua por novas.</li> <li>Reposicione as prateleiras, prateleiras das portas ou recipientes internos para permitir que a porta/gaveta feche.</li> </ul>
Os lados do armário e a tira da porta ficam quentes.	<ul style="list-style-type: none"> <li>-</li> </ul>	<ul style="list-style-type: none"> <li>Isto é normal.</li> </ul>
O aparelho faz ruídos fora do normal.	<ul style="list-style-type: none"> <li>O aparelho não está colocado sobre um piso nivelado.</li> <li>O aparelho toca em algum objeto em seu redor.</li> </ul>	<ul style="list-style-type: none"> <li>Ajuste os pés para nivelar o aparelho.</li> <li>Remova objetos em redor do aparelho.</li> </ul>
Deve ouvir-se um som leve semelhante ao de água a correr.	<ul style="list-style-type: none"> <li>-</li> </ul>	<ul style="list-style-type: none"> <li>Isto é normal.</li> </ul>
Irá ouvir um sinal sonoro de alarme.	<ul style="list-style-type: none"> <li>A porta do frigorífico está aberta.</li> </ul>	<ul style="list-style-type: none"> <li>Feche a porta.</li> </ul>
Irá ouvir um som abafado.	<ul style="list-style-type: none"> <li>O sistema anti condensação está a funcionar</li> </ul>	<ul style="list-style-type: none"> <li>Isto impede a condensação e é normal</li> </ul>
O sistema de iluminação interior ou de arrefecimento não funciona.	<ul style="list-style-type: none"> <li>A ficha de alimentação não está ligada na tomada de alimentação.</li> <li>A fonte de alimentação não está intacta.</li> <li>A lâmpada LED está avariada.</li> </ul>	<ul style="list-style-type: none"> <li>Ligue a ficha de alimentação.</li> <li>Verifique a alimentação elétrica da divisão. Ligue para a companhia de eletricidade local!</li> <li>Por favor, ligue para a assistência para substituir a lâmpada.</li> </ul>

Para contactar a assistência técnica, consulte o nosso website: <https://corporate.haier-europe.com/en/>

Na seção "website", escolha a marca do seu produto e o seu país.

Será redirecionado para o sítio Web específico onde poderá encontrar o número de telefone e o formulário para contactar a assistência técnica.

### **Falha de energia**

Em caso de falha de energia, os alimentos permanecem arrefecidos de forma segura durante cerca de 5 horas. Seguir

siga estas dicas durante uma falha de energia prolongada, especialmente no verão:

- ▶ Abra a porta/gaveta o mínimo de vezes possível.
- ▶ Não coloque mais alimentos no aparelho durante uma falha de energia.
- ▶ Se for dada uma notificação prévia de interrupção da energia e a duração da interrupção for superior a 5 horas, faça algum gelo e coloque-o num recipiente na parte superior do compartimento do frigorífico.
- ▶ É necessária uma inspeção dos alimentos imediatamente após a interrupção.
- ▶ Como a temperatura no frigorífico irá subir durante uma interrupção da energia ou outra falha, o período de armazenamento e a qualidade dos alimentos serão reduzidos. Qualquer alimento que descongele deve ser consumido, cozido e novamente congelado (se for caso disso) imediatamente, a fim de evitar riscos para a saúde.

### **Função de memória durante a falha de energia**

Depois de restabelecida a energia elétrica, o aparelho continua com as configurações definidas antes da falha de energia.

## Desembalar

**AVISO!**

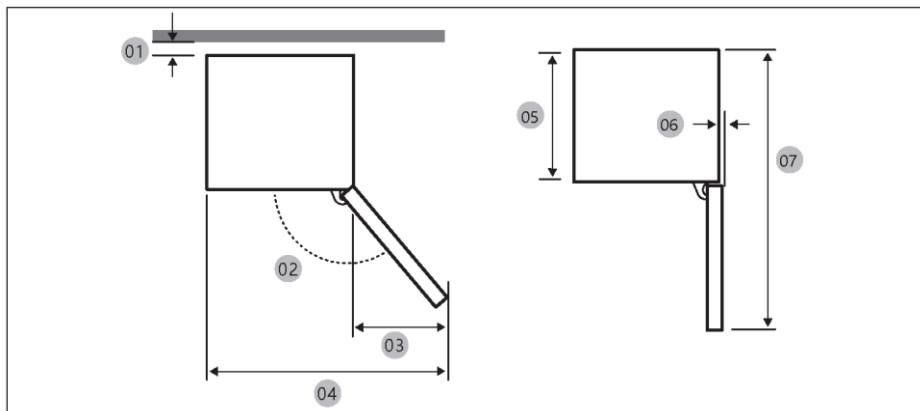
- ▶ O aparelho é pesado/ Manusear sempre com pelo menos duas pessoas.
- ▶ Mantenha todos os materiais de embalagem fora do alcance das crianças e elimine-os de forma ecológica.
- ▶ Retire o aparelho da embalagem.
- ▶ Remova todos os materiais de embalagem.

**Condições ambientais**

A temperatura ambiente deve estar sempre entre 10 °C e 43 °C, uma vez que pode influenciar a temperatura no interior do aparelho e o seu consumo de energia. Não instale o aparelho perto de outros aparelhos emissores de calor (fornos, frigoríficos) sem isolamento.

**Requisitos de espaço**

Espaço necessário quando a porta está aberta (sem painel da porta do armário)

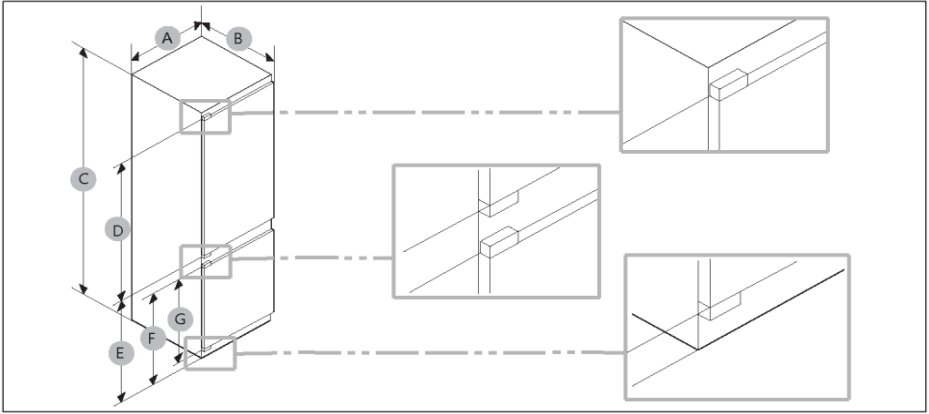


Modelo	HBW7518C HBW7518DT
01 *	10 (Mínimo) / 30 (Recomendado)
02	95° (Recomendado)
03	43
04	583
05	515
06	-3
07	1060

(unidade: mm)

\* 01 Do armário à traseira do produto.

**Dimensão do produto**



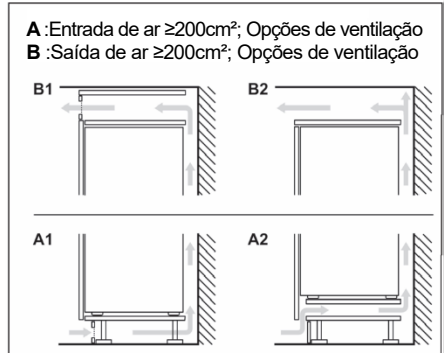
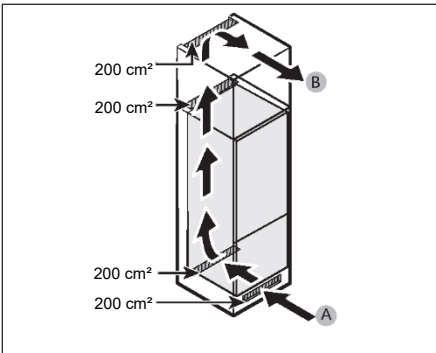
Modelo	A(mm)	B(mm)	C(mm)	D(mm)	E(mm)	F(mm)	G(mm)
HBW7518C HBW7518DT	540±2	550±2	1772±2	970	745	662	618

**i AVISO**

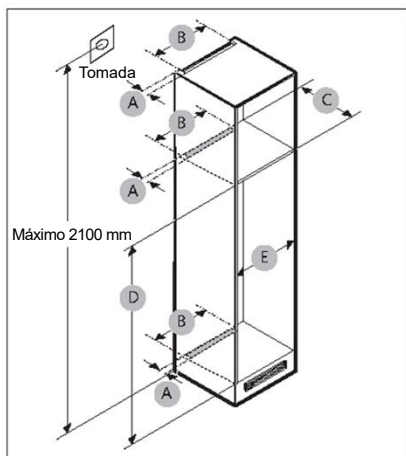
- O consumo de energia especificado baseia-se na condição de um espaço de 10 mm entre o armário e a parte de trás do produto. O produto funciona corretamente mesmo com uma folga inferior a 10 mm, mas consome um pouco mais de energia.
- Recomendamos a utilização de um armário com 18 mm de espessura e dobradiças com menos de 20 mm de espessura.
- As medições na tabela acima podem ser diferentes, dependendo do método de medição.
- Para a instalação integrada, consulte o Guia de Instalação.

**Ventilação transversal**

Para obter uma ventilação suficiente do aparelho por motivos de segurança, deve observar-se a informação das secções de ventilação transversal necessárias.



## Dimensões do armário



## CUIDADO!

Qualquer falha do produto devida aos seguintes fatores não está coberta pela garantia.

1. Condições inadequadas do local ou dimensões incorretas do armário.
2. Armário com defeito.
3. Erros do instalador ou do utilizador.

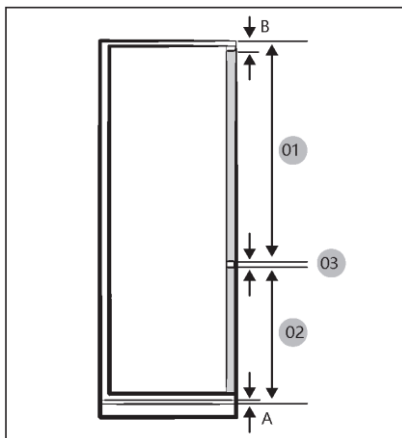
## Espaço

Consulte as imagens e as tabelas abaixo para conhecer os requisitos de espaço para a instalação.

Modelo		A (mm)	B (mm)	C (mm)	D (mm)	E (mm)	Observação
HBW7518C HBW7518DT	Mín.	50	400	560	1778	560	Dobradiça: 17 mm
	Recomendado			580	1780	562	
	Máx.			-	1782	568	

## **i** AVISO

- Se a largura de um armário for superior a 568 mm, a junta (entre o frigorífico e o armário) pode ficar solta.
- Se o armário for mais alto do que a dimensão máxima (1782 mm), é necessário utilizar outros materiais de acabamento para preencher o espaço.



## **i** AVISO

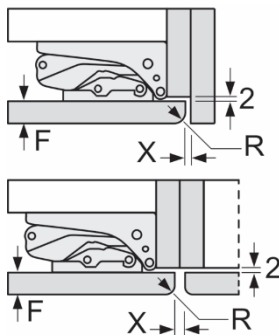
Para instalar um armário que necessite de um espaço de 4 mm (03), consulte a tabela de referência de armários abaixo.

- A. Aresta inferior do painel frontal acima da ventilação de ar  
B. Saliência do painel frontal

(unidade: mm)

Modelo	HBW7518C HBW7518DT
01	Min. 1028+B Max. 1106+B
02	Min. 662+A Max. 740+A
03	4 mm (folga do painel da porta do armário do frigorífico e do congelador)

Dimensões de folga recomendadas para dobradiças planas (para dobradiças de tipo fixo ou macio).

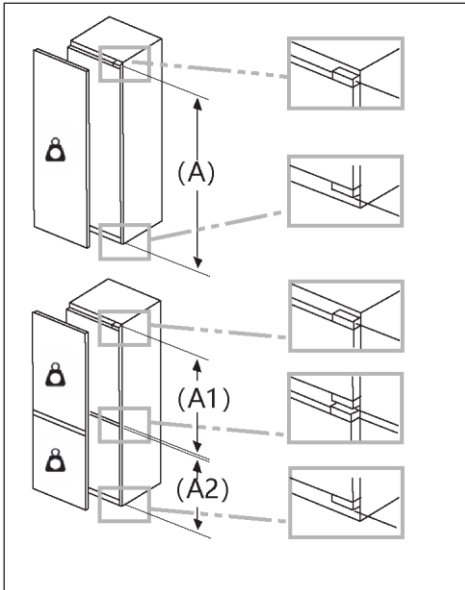


(unidade: mm)

F	R	X
16-19	0-3	2,5
20	0-1	3
	2-3	2,5
21	0-1	3
	2-3	2,5
22	0	4
	1	3,5
	2-3	3

As dimensões das folgas recomendadas na tabela devem ser respeitadas para garantir que as portas dos aparelhos não colidam com nada quando são abertas e para evitar danos nos móveis da cozinha.

## Peso máximo admissível das frentes da unidade



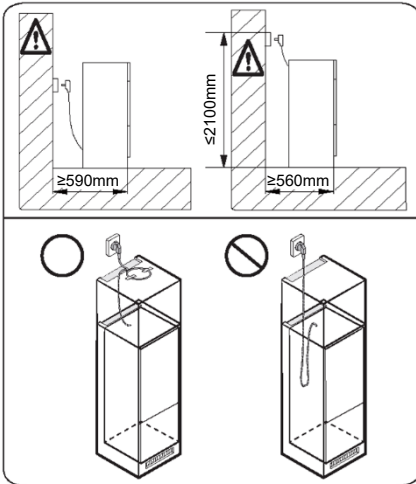
Frentes de móveis montadas que excedam o peso admissível podem causar danos e prejudicar o funcionamento das dobradiças.



**Peso**  
(kg)

1500-1750 mm	22
720-1400 mm	19
A1	15
A2	15

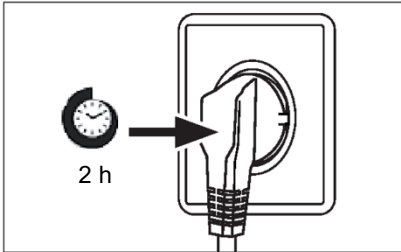
## Consideração da localização da tomada e do espaço necessário



### AVISO

Se instalar o frigorífico num armário com 560 mm de profundidade, certifique-se de que o cabo de alimentação está disposto num dos lados do frigorífico antes de o ligar a uma tomada elétrica. Se o cabo de alimentação estiver na parte de trás do frigorífico, pode diminuir a eficiência energética.

### Tempo de espera



O óleo de lubrificação sem manutenção está localizado na cápsula do compressor. Este óleo pode atravessar o sistema de tubagem fechada durante o transporte inclinado. Antes de ligar o aparelho à rede elétrica, tem de esperar pelo menos 2 horas para que o óleo volte à cápsula.

### Ligação elétrica

Antes de cada conexão verificar se:

- ▶ a rede elétrica, tomada e fusíveis são adequados à placa de classificação.
- ▶ a tomada de alimentação está ligada à terra sem fichas múltiplas nem extensão.
- ▶ a ficha de alimentação e a tomada estão de acordo com as especificações.

Ligue a ficha a uma tomada doméstica instalada corretamente.



### AVISO!

Para evitar riscos, um cabo de alimentação danificado deve ser substituído pela assistência ao cliente (ver cartão de garantia).



Ficha de produto de acordo com o Regulamento UE N.º 2019/2016

<b>Marca</b>	<b>Haier</b>	<b>Haier</b>
Nome/identificador do modelo	HBW7518C	HBW7518DT
Categoria do modelo	Frigorífico congelador	Frigorífico congelador
Classe de eficiência energética	C	D
Consumo anual de energia (kWh/year)(1)	146	180
Volume total(L)	268	268
Volume do frigorífico(L)	182	182
Volume do congelador(L)	86	86
Secção do refrigerador de volume (L)	/	/
Volume da máquina de fazer gelo automática (L)	/	/
Classificação em estrelas	4	4
Temperatura dos outros compartimentos > 14 °C	Não aplicável	Não aplicável
Sistema Frost-free	Sim	Sim
Capacidade de congelação(kg/24h)	8	8
Classificação climática(2)	SN/N/ST/T	SN/N/ST/T
Classe de emissão de ruído e emissões de ruído aéreo (db(A)re1pW)	B 32	B 32
Tempo de subida da temperatura (h)	12	11
Capacidade de fazer gelo	/	/
Tipo de aparelho	encastrado	encastrado

Nome do modelo	Classe de eficiência energética
HBW7518C	C
HBW7518DT	D

## Explicações:

## • Sim, existe

- (1) Com base nos resultados do teste de conformidade das normas ao longo de 24 horas. O consumo real depende da utilização e da localização do aparelho.
- (2) Classificação climática SN: Este aparelho destina-se a ser utilizado a uma temperatura ambiente compreendida entre + 10°C e +32°C  
 Classificação climática N: Este aparelho destina-se a ser utilizado a uma temperatura ambiente compreendida entre + 16°C e +32°C  
 Classificação climática ST: Este aparelho destina-se a ser utilizado a uma temperatura ambiente compreendida entre + 16°C e +38°C  
 Classificação climática T: Este aparelho destina-se a ser utilizado a uma temperatura ambiente compreendida entre + 16°C e +43°C

## Dados técnicos adicionais

Tensão/Frequência	220-240V ~/ 50Hz
Corrente de entrada (A)	2
Fusível principal (A)	16
Líquido de refrigeração	R600a
Dimensões (A/L/P em mm)	1772/540/550

Recomendamos o nosso Serviço de Assistência ao Cliente da Haier e a utilização de peça sobressalentes originais.

Se tiver algum problema com o seu aparelho, consulte primeiro a secção RESOLUÇÃO DE PROBLEMAS.

Se não conseguir encontrar uma solução nesta secção, entre em contacto

- ▶ com o seu revendedor local ou
- ▶ o nosso Serviço de Assistência Europeu (veja números de telefone listados abaixo) ou
- ▶ a área de Serviço e Suporte em [www.haier.com](http://www.haier.com) onde pode ativar a reclamação de serviço
- ▶ e também encontrar FAQs.

Para contactar a nossa Assistência, certifique-se de que tem os seguintes dados disponíveis. As informações encontram-se na placa de classificação.

Modelo \_\_\_\_\_

N.º de série \_\_\_\_\_

Verifique também o cartão de garantia fornecido com o produto em caso de garantia.

Centro de Assistência Europeu		
País*	Número de telefone	Custos
Haier Italy (IT)	199 100 912	
Haier Spain (ES)	902 509 123	
Haier Germany (DE)	0180 5 39 39 99	<ul style="list-style-type: none"> <li>• 14 CT/Min telefone fixo</li> <li>• Max 42 Ct/Min móvel</li> </ul>
Haier Austria (AT)	0820 001 205	<ul style="list-style-type: none"> <li>• 14,53 CT/Min telefone fixo</li> <li>• máx. 20 Ct/Min todos os outros</li> </ul>
Haier United Kingdom (UK)	0333 003 8122	
Haier France (FR)	0980 406 409	

\* Para outros países, consulte [www.haier.com](http://www.haier.com)

Haier Europe Trading S.r.l

Branch UK

Westgate House, Westgate, Ealing

London, W5 1YY

\*Duração da garantia do aparelho de refrigeração:

A garantia mínima é: 2 anos para os países da UE, 3 anos para a Turquia, 1 ano para o Reino Unido, 1 ano para a Rússia, 3 anos para a Suécia, 2 anos para a Sérvia, 5 anos para a Noruega, 1 ano para Marrocos, 6 meses para a Argélia, Tunísia nenhuma garantia legal necessária.

\*O período de peças sobressalentes para a reparação do aparelho:

Termostatos, sensores de temperatura, placas de circuitos impressos e fontes de luz estão disponíveis durante um período mínimo de sete anos após a colocação da última unidade do modelo no mercado.

Puxadores da porta, dobradiças da porta, bandejas e cestos durante um período mínimo de sete anos e juntas da porta durante um período mínimo de 10 anos, depois de colocada a última unidade do modelo no mercado.

\*Para mais informações sobre o produto, consulte <https://eprel.ec.europa.eu/> ou digitalize o código QR na etiqueta energética fornecida com o aparelho.

The Haier logo is displayed in a bold, black, sans-serif font. The background of the page features a white background with several large, overlapping geometric shapes in shades of gray and dark gray, creating a modern, abstract design.

专用号条码

0060536192  
2024 Version A

# Haier

## Manualul utilizatorului

Combină frigorifică  
HBW7518C  
HBW7518DT

EN

CZ

DE

EL

ES

FR

HU

IT

NL

PL

PT

RO

RO



**WARNING: Risk of fire/flammable material** **EN**  
The symbol indicates there is a risk of fire since flammable materials are used. Take care to avoid causing a fire by ingiting flammable material.

**VAROVÁNÍ: Nebezpečí Požáru/Hořlavého Materiálu** **CZ**

Symbol označuje riziko požáru, protože byly použity hořlavé materiály. Dbejte na to, aby nedošlo ke vzniku požáru zapálením hořlavého materiálu.

**WARNUNG: Brandgefahr/brennbares Material** **DE**

Das Symbol weist auf Brandgefahr hin, da brennbare Materialien verwendet werden. Verhindern Sie die Entstehung von Bränden, die durch entflammbare Materialien verursacht werden.

**ΠΡΟΣΟΧΗ: Κίνδυνος: φωτιάς/εύφλεκτο υλικό** **EL**

Το σύμβολο υποδεικνύει ότι υπάρχει κίνδυνος φωτιάς επειδή χρησιμοποιούνται εύφλεκτα υλικά. Προσέχετε να αποφεύγετε την πρόκληση φωτιάς από ανάφλεξη εύφλεκτου υλικού.

**ADVERTENCIA: Riesgo de incendio o material inflamable** **ES**

El símbolo indica que existe riesgo de incendio, dado que se utilizan materiales inflamables. Se debe procurar evitar incendios medí ante la combustión de materiales inflamables.

**ATTENTION: Risque d'incendie ou de matières inflammables** **FR**

Le symbole montre qu'il y'a le risque de matériaux inflammables sont utilisés. Prendre soin d'éviter de provoquer un incendie en ingérant des matières inflammables.

**FIGYELEM: Tűz / gyűlékony anyag veszélye** **HU**

A szimbólum azt jelzi, hogy tűzveszély áll fenn, mivel gyűlékony anyagokat használnak. Ügyeljen arra, hogy ne tegyen rá tűzveszélyes gyűlékony anyagot.

**ATTENZIONE: Rischio di incendio/materiale infiammabile** **IT**

Il simbolo indica il rischio di incendio nel caso di utilizzo di materiali infiammabili. Fare attenzione ed evitare l'insorgere di incendi a causa della combustione di materiali infiammabili.

**WAARSCHUWING: Brandrisico / brandbaar materiaal** **NL**

Het systeem geeft aan dat er een brandrisico bestaat aangezien brandbaar materiaal wordt gebruikt. Zorg ervoor dat er geen brand wordt veroorzaakt door brandbaar materiaal te ontsteken.

**OSTRZEŽENIE: Ryzyko pożaru/materiał łatwopalny** **PL**

Symbol wskazuje, że istnieje ryzyko pożaru, ponieważ używane są materiały łatwopalne. Dbaj o to, aby uniknąć pożaru poprzez zapale nie łatwopalnego materiału.

**AVISO: Risco de incêndio e material inflamável** **PT**

O símbolo indica que existe um risco de incêndio, uma vez que são utilizados materiais inflamáveis. Tenha cuidado para evitar provocar um incêndio acendendo material inflamável.

**AVERTISMENT: Risc de incendiu/material inflamabil** **RO**

Simbolul indică că există risc de incendiu deoarece sunt folosite materiale inflamabile. Aveți grijă și evitați incendiile aprinzând materiale inflamabile.

<u>5</u>	<u>Informații de siguranță</u>	•	<u>Înainte de prima utilizare</u>	6
			<u>Instalare</u>	6
			<u>Utilizarea cotidiană</u>	7
<u>10</u>	<u>Utilizarea prevăzută</u>	•	<u>Informații privind gazul refrigerant</u>	9
<u>11</u>	<u>Descrierea produsului</u>	•		
<u>12</u>	<u>Panou de comenzi</u>	•		
<u>13</u>	<u>Utilizare</u>	•	<u>Blocare/deblocare panou</u>	13
			<u>Ajustarea temperaturii frigiderului</u>	13
			<u>Ajustarea temperaturii congelatorului</u>	13
			<u>Funcția de interconectare</u>	14
			<u>Funcția ECO</u>	15
			<u>Funcția Holiday</u>	15
			<u>Funcția Super Cool</u>	15
			<u>Funcția Super Freeze</u>	16
			<u>Selectarea funcției My Zone</u>	17
<u>19</u>	<u>Echipament</u>	•		
<u>20</u>	<u>Sfaturi de economisire a energiei</u>	•		
<u>21</u>	<u>Îngrijire și curățare</u>	•		
<u>23</u>	<u>Depanare</u>	•		
<u>27</u>	<u>Instalare</u>	•		
<u>33</u>	<u>Date tehnice</u>	•		
<u>35</u>	<u>Serviciul pentru clienți</u>	•		



## Vă mulțumim că ați achiziționat un produs Haier.

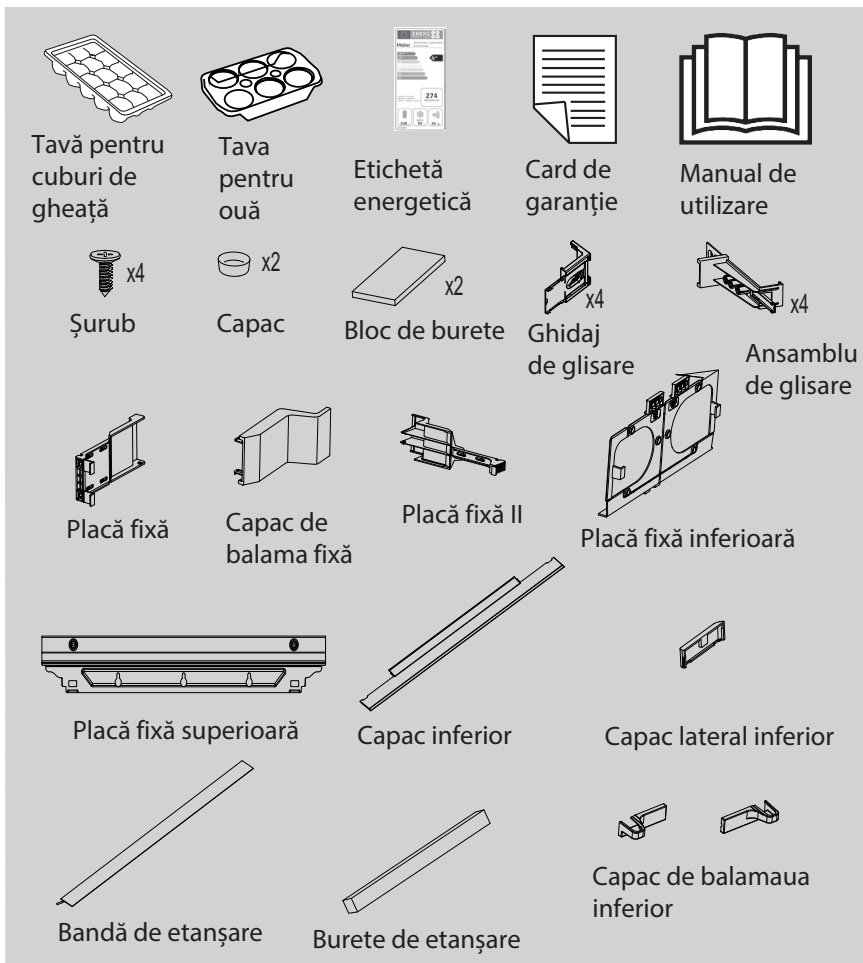
Citiți cu atenție aceste instrucțiuni înainte de a utiliza acest aparat. Instrucțiunile conțin informații importante care vă vor ajuta să folosiți aparatul la capacitate maximă și să asigurați instalarea, utilizarea și întreținerea sigure și corespunzătoare.

Păstrați manualul de față la îndemână astfel încât să îl puteți consulta pentru utilizarea sigură și corectă a aparatului.

Dacă vindeți, oferiți sau lăsați aparatul în vechea locuință când vă mutați, asigurați-vă că lăsați și manualul de utilizare, astfel încât noul proprietar să se poată familiariza cu aparatul și cu avertismentele de siguranță.

## Accesorii

Verificați accesoriile și documentația în conformitate cu această listă:



**AVERTISMENT – Informații importante legate de siguranță****OBSERVAȚIE – Informații și sfaturi generale****Informații legate de mediu****Eliminare**

Ajutați la protejarea mediului și sănătății omului. Puneți ambalajul în containerele corespunzătoare în vederea reciclării. Ajutați la reciclarea deșeurilor de aparate electrice și electronice. Nu aruncați electronicele marcate cu acest simbol în același loc cu deșeurile menajere. Returnați produsul la centrul local de reciclare sau contactați agenția municipală.

**AVERTISMENT!**

Risc de vătămare sau sufocare!

Agenții frigorifici și gazele trebuie eliminate profesionist. Asigurați-vă că tubulatura circuitului de agent frigorific nu este deteriorată înainte de eliminarea corespunzătoare a acesteia. Deconectați aparatul de la rețeaua de curent. Tăiați cablul de alimentare de la rețeaua de curent și eliminați-l. Scoateți tăvile și sertarele, dar și opritorul și garniturile ușii, pentru a preveni închiderea copiilor și a animalelor în aparat.

## Înainte de pornirea aparatului pentru prima dată, citiți următoarele sfaturi legate de siguranță:



### AVERTISMENT!

#### Înainte de prima utilizare

- ▶ Asigurați-vă că nu există deteriorări provocate de transport.
- ▶ Așteptați cel puțin două ore înainte de a instala aparatul pentru a lăsa timp circuitului frigorific să devină perfect eficient.
- ▶ Manevrați întotdeauna dispozitivul cu cel puțin încă două persoane, pentru că este greu.
- ▶ Scoateți toate materialele de ambalare, țineți-le departe de copii și eliminați-le într-un mod ecologic.
- ▶ Curățați interiorul și exteriorul aparatului cu apă și un detergent neutru înainte de a pune alimente în interior.
- ▶ După echilibrarea și curățarea aparatului, așteptați cel puțin 2-5 ore înainte de a-l conecta la rețeaua de alimentare. Consultați secțiunea INSTALARE.
- ▶ Răciți în prealabil compartimentele cu setări ridicate înainte de ale umple cu alimente. Funcția Power-Freeze ajută la răcirea rapidă a compartimentelor.
- ▶ Temperaturile frigiderului și congelatorului sunt setate automat la 5°C, respectiv -18 °C. Acestea sunt setările recomandate. Dacă doriți, puteți modifica manual aceste temperaturi. Consultați REGLARE TEMPERATURĂ.

#### Instalare

- ▶ Aparatul trebuie amplasat într-un loc bine ventilat. Asigurați un spațiu de cel puțin 10 cm deasupra aparatului și în jurul acestuia.
- ▶ Nu amplasați niciodată aparatul într-o zonă cu umezeală sau într-un loc în care acesta poate fi stropit cu apă. Curățați și uscați urmele de apă și petele cu o cârpă curată, moale.
- ▶ Nu instalați aparatul în lumina directă a soarelui sau în apropierea surselor de căldură (de ex., cuptoare, radiatoare).
- ▶ Instalați și poziționați dispozitivul într-o zonă potrivită dimensiunilor și destinației sale.
- ▶ Mențineți fantele de aerisire ale aparatului sau pe cele încorporate în structură fără obstrucții.
- ▶ Asigurați-vă că informațiile electrice de pe plăcuța cu date tehnice se potrivesc cu sursa de electricitate. Dacă nu se potrivesc, contactați un electrician.
- ▶ Dispozitivul este operat de o sursă de electricitate de 220-240 V c.a./50 Hz. Fluctuațiile anormale de tensiune pot face dispozitivul să nu pornească sau pot deteriora controlul temperaturii sau compresorul sau pot provoca un zgomot anormal în timpul utilizării. În acest caz, ar trebui să fie montat un regulator automat.
- ▶ Nu utilizați adaptoare cu ștecăre multiple și prelungitoare.
- ▶ Nu amplasați prizele portabile multiple sau alimentările portabile în spatele aparatului.
- ▶ Evitați prinderea cablului de alimentare în frigider. Nu călcați pe cablul de alimentare.



## AVERTIZARE!

- ▶ Folosiți o priză separată cu împământare pentru alimentarea cu energie electrică, care să fie ușor accesibilă. Aparatul trebuie legat la împământare.  
Doar pentru Regatul Unit: Cablul de alimentare al dispozitivului este prevăzut cu ștecăr cu 3 pini (împământare) care se potrivește cu o priză standard cu 3 găuri (împământată). Nu demontați și nu tăiați niciodată cel de-al treilea pin (împământarea). După instalarea dispozitivului, ștecărul ar trebui să fie accesibil.
- ▶ Nu deteriorați circuitul frigorific.

### Utilizarea cotidiană

- ▶ Acest aparat poate fi utilizat de către copiii cu vârste de minim 8 ani și de către persoanele cu abilități fizice, senzoriale sau mintale reduse sau cu lipsă de experiență sau cunoștințe, cu condiția să fie supravegheate sau instruite corespunzător privind modul de utilizare a acestui aparat în siguranță și să înțeleagă pericolele implicate.
- ▶ Copiii cu vârsta cuprinsă între 3 și 8 ani pot încărca și descărca aparate frigorifice, dar nu li se permite să curețe și să instaleze aparatele frigorifice.
- ▶ Țineți copiii mai mici de 3 ani la distanță de aparat, cu excepția cazului în care aceștia sunt supravegheați constant.
- ▶ Nu lăsați copiii să se joace cu aparatul.
- ▶ În cazul scurgerii gazului de răcire sau a altor gaze inflamabile în vecinătatea aparatului, închideți valva gazului care curge, deschideți ușile și ferestrele și nu deconectați niciun ștecăr al cablului de alimentare al frigiderului sau al oricărui alt aparat.
- ▶ Observați că aparatul este setat să funcționeze într-un interval de mediu specific, între 10 și 43 °C. Este posibil ca aparatul să nu funcționeze corect dacă este lăsat pentru o perioadă lungă de timp la o temperatură superioară sau inferioară intervalului indicat.
- ▶ Nu puneți articole instabile (obiecte grele, recipiente umplute cu apă) deasupra frigiderului, pentru a evita vătămarea cauzată de cădere sau de electrocutarea cauzată de contactul cu apa.
- ▶ Nu trageți de rafturile ușii. În caz contrar, ușa poate fi înclinată, raftul pentru sticle se poate desprinde sau aparatul se poate răsturna.
- ▶ Deschideți și închideți ușile numai cu ajutorul mânerelor. Spațiul liber dintre uși și dintre uși și dulap este foarte îngust. Nu întindeți mâinile în zonele respective, pentru a evita ciupirea degetelor. Deschideți sau închideți ușile frigiderului numai atunci când nu se află niciun copil în raza de deplasare a ușii.



## AVERTIZARE!

- ▶ Nu depozitați materiale inflamabile, explozive sau corozive în aparat sau în vecinătatea acestuia.
- ▶ Nu depozitați medicamente, bacterii sau agenți chimici în dispozitiv. Acest dispozitiv este un aparat electrocasnic. Nu este recomandat pentru depozitarea materialelor care necesită temperaturi stricte.
- ▶ Nu depozitați niciodată în congelator lichide în sticle sau doze (cu excepția băuturilor cu conținut ridicat de alcool), în special băuturi carbogazoase, deoarece acestea se vor sparge în timpul înghețării.
- ▶ Verificați starea alimentelor în cazul în care a avut loc încălzirea congelatorului.
- ▶ Nu setați o temperatură nenecesar de joasă în compartimentul frigiderului. În cazul setărilor ridicate, pot apărea temperaturi sub punctul de îngheț. Atenție: Sticlele se pot sparge
- ▶ Nu atingeți produsele înghețate cu mâinile ude (purtați mănuși). În special, nu consumați înghețată pe băț imediat după scoaterea din compartimentul congelatorului. Există riscul de îngheț sau de producere a leziunilor provocate de îngheț. PRIMUL ajutor: puneți imediat sub jet de apă rece. Nu trageți!
- ▶ Nu atingeți suprafața interioară a compartimentului de depozitare al congelatorului atunci când este în funcțiune, în special cu mâinile ude, deoarece mâinile pot îngheța pe suprafață.
- ▶ Deconectați aparatul de la energia electrică în cazul unei pene de curent sau înainte de curățare. Așteptați cel puțin 7 minute înainte de repornirea aparatului, deoarece pornirea frecventă poate deteriora compresorul.
- ▶ Nu utilizați dispozitive electrice în interiorul compartimentelor de depozitare a alimentelor ale aparatului decât dacă acestea sunt de tipul recomandat de către producător. Întreținere/curățare
- ▶ Asigurați-vă că supravegheați copiii dacă aceștia se ocupă de curățare și întreținere.
- ▶ Deconectați aparatul de la rețeaua de alimentare înainte de efectuarea întreținerii de rutină. Așteptați cel puțin 5 minute înainte de repornirea aparatului, deoarece pornirea frecventă poate deteriora compresorul.



## AVERTIZARE!

- ▶ Țineți de ștecăr, nu de cablu, atunci când deconectați aparatul.
- ▶ Nu curățați aparatul cu perii aspre, cu perii de sârmă, cu detergent pulbere, benzină, acetat de amil, acetonă sau soluții organice similare, soluții acide sau alcaline. Curățați cu detergent special pentru frigider pentru a evita deteriorările.
- ▶ Nu răzuți gheața cu obiecte ascuțite. Nu folosiți pulverizatoare, dispozitive electrice de încălzire precum radiatoare, uscătoare de păr, aparate de curățat cu abur sau alte surse de căldură, pentru a evita deteriorarea pieselor din plastic.
- ▶ Nu utilizați dispozitive mecanice sau alte mijloace de a accelera procesul de decongelare, în afara celor recomandate de producător.
- ▶ În cazul în care cablul de alimentare este deteriorat, acesta trebuie înlocuit de către producător, agentul său de service sau persoane calificate similare, pentru a evita orice pericol.
- ▶ Nu încercați să reparați, să dezasamblați sau să modificați dispozitivul pe cont propriu. În cazul în care este necesară o reparație, contactați serviciul de relații cu clienții.
- ▶ Eliminați praful din spatele unității cel puțin o dată pe an, pentru a evita riscul de incendiu, dar și consumul mărit de energie.
- ▶ Nu pulverizați și nu spălați aparatul în timpul curățării.
- ▶ Nu folosiți pulverizarea cu apă sau aburi de apă în timpul curățării aparatului.
- ▶ Nu curățați rafturile reci din sticlă cu apă fierbinte. Schimbarea bruscă de temperatură poate face ca sticla să se spargă.

## Informații privind gazul refrigerant



### AVERTIZARE!

Aparatul conține agentul frigorific inflamabil IZOBUTAN (R600a). Asigurați-vă că circuitul frigorific nu este deteriorat în timpul transportării sau instalării. Scurgerile de agent frigorific pot cauza vătămări ale ochilor sau se pot aprinde. Dacă s-a produs o deteriorare a aparatului, țineți la distanță de sursele de flăcări deschise, ventilați bine camera, nu conectați și nu deconectați cablurile de alimentare ale aparatului sau ale oricărui alt aparat. Informați serviciul de asistență pentru clienți.

În cazul în care agentul frigorific intră în contact cu ochii, spălați imediat în jet de apă și contactați imediat un specialist oftalmolog.

## Utilizarea prevăzută

Acest aparat este proiectat pentru răcirea și congelarea alimentelor. Acesta a fost conceput exclusiv pentru utilizarea în aplicații casnice și similare, precum în zona de bucătărie pentru personalul din magazine, în birouri și în alte medii de lucru; ferme și clienți din hoteluri, moteluri și alte tipuri de medii rezidențiale, precum și în pensiunile de tip bed-and-breakfast și de catering. Nu este destinat utilizării comerciale sau industriale.

Nu este permisă aducerea schimbărilor sau modificărilor dispozitivului. Utilizarea necorespunzătoare poate duce la apariția pericolelor și la pierderea garanției.

## Standarde și directive

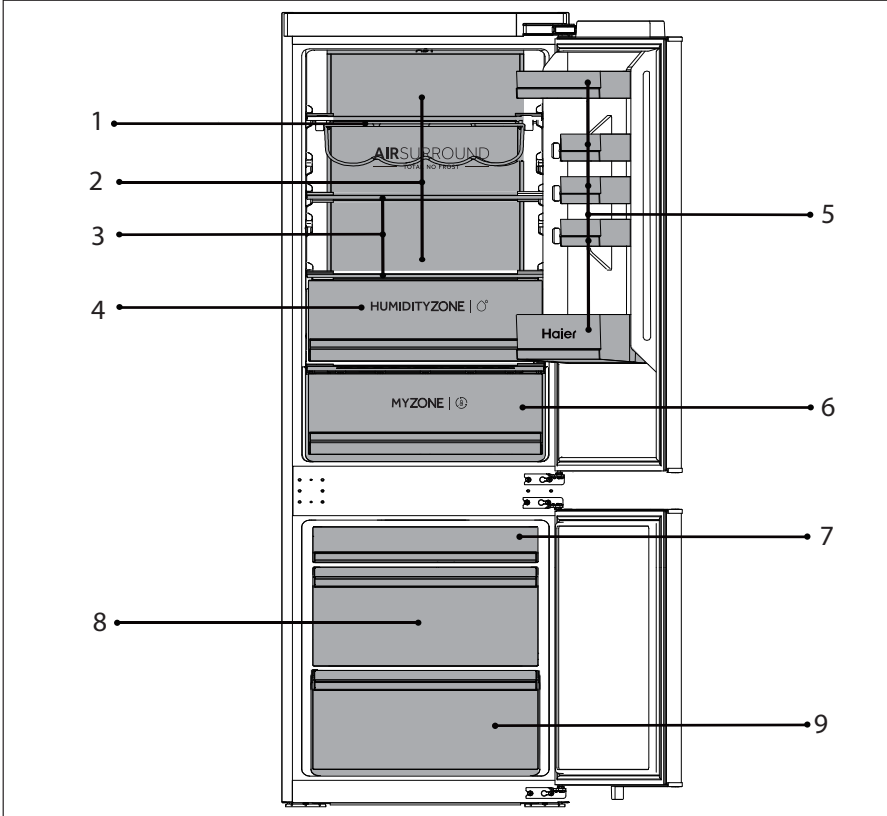


Acest produs respectă cerințele tuturor directivelor CE aplicabile, cu standardele corespunzătoare armonizate, care asigură marcajul CE.



## OBSERVAȚIE

Ca urmare a modificărilor tehnice și a diferitelor modele, unele ilustrații din acest manual pot diferi de modelul dvs.



## HBW7518C/HBW7518DT

A: Cameră de refrigerare

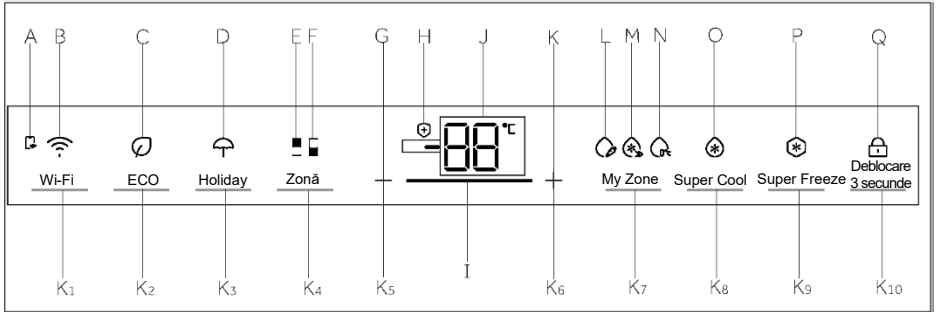
- 1 Suport pentru vinuri
- 2 Conducta de aer refrigerat
- 3 Rafturi obișnuite
- 4 Sertar Humidity Zone
- 5 Suport pentru sticle
- 6 Sertarul MyZone

B: Cameră de congelare

- 7 Sertar superior congelator
- 8 Sertar mijloc congelator
- 9 Sertar inferior congelator



## Panou de comenzi



### Indicatoare:

- A Conexiune la aplicația mobilă
- B Funcția Wi-Fi
- C Funcția ECO
- D Funcția Holiday
- E Indicator frigider
- F Indicator congelator
- G Reglarea temperaturii „-”
- H Funcția bactericidă
- I Afișarea efectului de rezistență a angrenajului
- J Afișaj temperatură
- K Reglarea temperaturii „+”
- L Funcția Fruit&Veg
- M Funcția QuickCool
- N Funcția 0°C Fresh
- O Funcția Super Cool
- P Funcția Super Freeze
- Q Blocare și deblocare

### Butoane:

- K<sub>1</sub> Butonul de setare Wi-Fi
- K<sub>2</sub> Butonul pentru funcția ECO
- K<sub>3</sub> Butonul pentru funcția Holiday
- K<sub>4</sub> Butonul de selectare a zonei
- K<sub>5</sub> Buton pentru reglarea temperaturii „+”
- K<sub>6</sub> Buton pentru reglarea temperaturii „+”
- K<sub>7</sub> Butonul de selectare a funcției My Zone
- K<sub>8</sub> Butonul de selectare Super Cool
- K<sub>9</sub> Butonul de selectare a funcției Super Freeze
- K<sub>10</sub> Butonul de blocare și deblocare

## Taste cu senzor

Butoanele de pe panoul de comenzi sunt taste cu senzori, care răspund imediat ce sunt apășate ușor cu degetul.

## Pornirea/ oprirea aparatului

Aparatul intră în funcțiune imediat ce este conectat la rețeaua de alimentare.

Când frigiderul este pornit pentru prima dată, indicatorul „J” (afișajul temperaturii) se aprinde. Temperaturile frigiderului și congelatorului sunt setate automat la 5 °C, respectiv -18 °C. Indicatorul „M” (afișajul QuickCool) se aprinde.

My Zone este setat automat pe funcția QuickCool.

Este posibil ca blocarea panoului să fie activă.



## OBSERVAȚIE

Atunci când aparatul este pornit după deconectarea de la rețeaua de alimentare, poate dura până la 12 ore pentru atingerea temperaturilor corecte.

Goliți aparatul înainte de oprire. Pentru oprirea aparatului, scoateți cablul de alimentare din priză.

### Blocare/deblocare panou

**Blocare automată:** Când ușa frigiderului și ușa congelatorului sunt închise și nu se efectuează nicio acțiune asupra tastei în decursul a 30 de secunde, ecranul de afișare va fi stins și blocat automat.

**Blocare manuală:** Când ecranul de afișare este deblocat, apăsați butonul „K<sub>10</sub>” (deblocare 3 secunde) și țineți-l apăsat timp de 3 secunde; soneria sună o dată, indicatorul „Q” (blocare panou) se aprinde, iar afișajul este blocat.

**Deblocare:** Când ecranul de afișare este blocat, apăsați butonul „K<sub>10</sub>” (deblocare 3 secunde) și mențineți-l apăsat timp de 3 secunde. Semnalul sonor sună o dată, indicatorul „Q” (blocare panou) se stinge, iar ecranul este deblocat.

### Reglarea temperaturii

Temperaturile din interior sunt influențate de următorii factori:

Temperatura ambientală, frecvența deschiderii ușii, cantitatea de alimente depozitate instalarea aparatului.

### Ajustarea temperaturii frigiderului

Când ecranul de afișare este deblocat, apăsați butonul „K<sub>4</sub>” (selector zonă). Soneria sună o dată, indicatorul „E” (indicatorul pentru frigider) luminează și apoi se intră în modul de setare a temperaturii frigiderului.

Apăsați o dată butonul „K<sub>5</sub>” (butonul de reglare a temperaturii „-”); soneria sună o dată, iar temperatura setată a frigiderului va fi redusă cu 1. Temperatura frigiderului se va afișa în secvența „9°C -> 8°C -> 7°C -> 6°C -> 5°C -> 4°C -> 3°C -> 2°C -> 1°C”.

Apăsați o dată butonul „K<sub>6</sub>” (butonul de reglare a temperaturii „+”); soneria sună o dată, iar temperatura setată a frigiderului va crește cu 1. Temperatura frigiderului se va afișa în secvența „1°C -> 2°C -> 3°C -> 4°C -> 5°C -> 6°C -> 7°C -> 8°C -> 9°C”.



## OBSERVAȚIE

După setarea temperaturii, dacă nu există nicio operațiune în 5 secunde, sistemul va salva temperatura setată.

## Ajustarea temperaturii congelatorului

Când ecranul de afișare este deblocat, apăsați butonul „K4” (selector zonă). Soneria sună o dată, indicatorul „F” (indicatorul congelatorului) luminează și apoi intră în modul de setare a temperaturii congelatorului.

Apăsați o dată butonul „K5” (butonul de reglare a temperaturii „-”); soneria sună o dată, iar temperatura setată a congelatorului va fi redusă cu 1. Temperatura congelatorului va fi afișată în secvența „-14°C -> -15°C -> -16°C->-17°C -> -18°C -> -19°C -> -20°C -> -21°C -> -22°C -> -23°C -> -24°C”.

Apăsați o dată butonul „K6” (butonul de reglare a temperaturii „+”); soneria sună o dată, iar temperatura setată a congelatorului va crește cu 1. Temperatura congelatorului va fi afișată în secvența „-24°C -> -23°C -> -22°C -> -21°C -> -20°C -> -19°C -> -18°C -> -17°C -> -16°C -> -15°C -> -14°C”.



### OBSERVAȚIE

După setarea temperaturii, dacă nu există nicio operațiune în 5 secunde, sistemul va salva temperatura setată.

## Funcția Wi-Fi

1. Când ecranul de afișare este deblocat, apăsați butonul „K1” (butonul funcției Wi-Fi). Soneria sună o dată, iar indicatorul „B” (funcția Wi-Fi) luminează până când Wi-Fi este conectat. După ce conexiunea reușește, mențineți-o pornită pentru o perioadă lungă, iar funcția Wi-Fi va fi activată.
2. Când ecranul de afișare este deblocat, apăsați butonul „K1” (butonul funcției Wi-Fi). Soneria sună o dată, indicatorul „B” (funcția de interconectare) se stinge, iar funcția Wi-Fi va fi dezactivată.

## PROCEDURA DE ASOCIERE ÎN APLICAȚIE

<p>Pasul 1 • Descărcați aplicația hOn din magazinele digitale</p> 	
<p>Pasul 2 Creați-vă contul în aplicația hOn sau conectați-vă dacă aveți deja un cont</p> 	<p>Pasul 3 Urmați instrucțiunile de asociere în aplicația hOn</p> 

## Funcția ECO

1. Când ecranul de afișare este deblocat, apăsați butonul „K<sub>2</sub>” (butonul funcției ECO). Soneria sună o dată, indicatorul „C” (funcția ECO) se aprinde, iar funcția ECO va fi activată.
2. Când ecranul de afișare este deblocat, apăsați butonul „K<sub>2</sub>” (butonul funcției ECO). Soneria sună o dată, indicatorul „C” (funcția ECO) se stinge, iar funcția ECO va fi dezactivată.

## Funcția Holiday

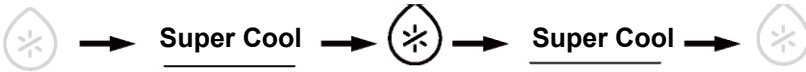
1. Când ecranul de afișare este deblocat, apăsați butonul „K<sub>3</sub>” (butonul funcției Holiday); soneria sună o dată, indicatorul „D” (funcția Holiday) se aprinde și funcția Holiday va fi activată.
2. Când ecranul de afișare este deblocat, apăsați butonul „K<sub>3</sub>” (butonul funcției Holiday). Soneria sună o dată, indicatorul „D” (funcția Holiday) se stinge, iar funcția Holiday va fi dezactivată.

## OBSERVAȚIE

1. Funcția Holiday este utilizată în principal pentru călătorii pe termen scurt și alte situații, iar camera frigiderului trebuie goliată atunci când se utilizează această funcție.
2. Atunci când este activată funcția Holiday, temperatura din camera frigorifică va fi mai mare (aproximativ 17°C). Aveți în vedere scoaterea alimentelor din camera frigorifică pentru a evita deteriorarea acestora.
3. Atunci când este activată funcția Holiday, setarea pentru pictogramele „Fruit&Veg, QuickCool, 0 °C Fresh” din My zone sunt oprite, iar temperatura din My zone nu poate fi ajustată. Compartimentul frigiderului și My zone vor afișa setarea anterioară după ieșirea din funcția Holiday.

## Funcția Super Cool

1. Când ecranul de afișare este deblocat, apăsați butonul „K8” (selector Super Cool); soneria sună o dată, indicatorul „O (funcția Super Cool) se aprinde, iar funcția Super Cool se activează.
2. Când indicatorul „O” (funcția Super Cool) se aprinde, apăsați butonul „K8” (selector Super Cool); soneria sună o dată, indicatorul „O” (funcția Super Cool) se stinge, iar funcția Super Cool se dezactivează.
3. După ce funcția Super Cool este activată, frigiderul va opri automat funcția atunci când se atinge temperatura setată. Dacă doriți să ieșiți manual din această funcție, puteți apăsa butonul „K8” (selector Super Cool) pentru a o opri.



## OBSERVAȚIE

1. În starea Super Cool, temperatura frigiderului nu poate fi reglată. Dacă apăsați fie butonul „K5” (butonul de reglare a temperaturii „-”), fie butonul „K6” (butonul de reglare a temperaturii „+”) pentru a regla temperatura frigiderului, indicatorul „O” (indicatorul Super Cool) va lumina intermitent și se va auzi un semnal sonor pentru a indica faptul că această operațiune nu poate fi efectuată.
2. În starea funcției Super Cool, funcția Auto-set nu poate fi activată în același timp, din cauza diferitelor moduri de control. Când alegeți o funcție care intră în conflict cu o altă funcție, funcția inițială va fi abandonată automat.
3. Această funcție se va dezactiva automat după 4 ore.

## Funcția Super Freeze

1. Când ecranul de afișare este deblocat, apăsați butonul „K9” (selectorul Super Freeze). Soneria sună o dată, indicatorul „P” (funcția Super Freeze) se aprinde, iar funcția Super Freeze se activează.
2. Când indicatorul „P” (funcția Super Freeze) luminează, apăsați butonul „K9” (selectorul Super Freeze); soneria sună o dată, indicatorul „P” (funcția Super Freeze) se stinge, iar funcția Super Freeze se va dezactiva.

3. După ce funcția Super Freeze este activată, frigiderul va opri automat funcția atunci când se atinge temperatura setată. Dacă doriți să ieșiți manual din această funcție, puteți apăsa butonul „K<sub>9</sub>” (selector Super Freeze) pentru a o opri.



## **i** OBSERVAȚIE

- În starea Super Freeze, temperatura congelatorului nu poate fi reglată. Dacă apăsați fie butonul „K<sub>5</sub>” (butonul de reglare a temperaturii „-”), fie butonul „K<sub>6</sub>” (butonul de reglare a temperaturii „+”) pentru a regla temperatura congelatorului, indicatorul „P” (indicatorul Super Freeze) va lumina intermitent și se va auzi un semnal sonor pentru a indica faptul că această operațiune nu poate fi efectuată.
- Funcția Super Freeze este concepută pentru a păstra valoarea nutritivă a alimentelor congelate; acestea vor fi congelate în cel mai scurt timp. În cazul în care trebuie congelate cantități mari de alimente congelate în același timp, funcția Super Freeze trebuie setată cu 24 de ore înainte, pentru a permite atingerea unei temperaturi relativ scăzute în congelator, pentru a introduce alimentele. În acest moment, viteza de congelare a congelatorului este îmbunătățită, alimentele pot fi congelate rapid, valorile nutriționale sunt păstrate eficient, iar depozitarea devine destul de convenabilă.
- Funcția Super Freeze se oprește automat după 50 de ore, iar aparatul funcționează apoi la temperatura setată anterior.

## Selectarea funcției My Zone

Când ecranul de afișare este deblocat, apăsați butonul „K<sub>7</sub>” (butonul de selectare a funcției My Zone). Soneria sună o dată, indicatorul „L” (funcția Fruit&Veg) se aprinde și funcția Fruit&Veg se activează. Dacă este apăsat butonul „K<sub>7</sub>” pentru a selecta funcția My Zone, soneria sună din nou, indicatorul „M” (funcția Quick Cool) se aprinde și funcția QuickCool se activează. Opțiunile funcției My Zone sunt, pe rând, „Fruit&Veg, QuickCool și 0°C Fresh”.

## **i** OBSERVAȚIE

- Când frigiderul este pornit pentru prima dată, indicatorul „L” se aprinde, iar My Zone este setat automat pe funcția QuickCool. Unul dintre cele trei indicatoare My Zone trebuie să fie aprins. Când selectați din nou funcția My Zone, indicatorul My Zone aprins anterior nu mai poate fi selectat. Se poate configura doar una dintre cele trei funcții. Cele trei funcții se exclud reciproc.
- Valoarea de setare a temperaturii de stocare în My Zone nu poate fi mai mare decât valoarea de setare a temperaturii frigiderului.
- Pentru a reduce temperatura compartimentului frigiderului, folosiți funcția 0°C Fresh. Pentru a crește temperatura, folosiți funcția Fruit & Veg.

## Sertarul My Zone

Compartimentul frigiderului este prevăzut cu un sertar My Zone. În conformitate cu cerințele de depozitare a alimentelor, poate fi selectată temperatura cea mai potrivită pentru a obține valoarea nutritivă optimă a alimentelor. Sunt disponibile următoarele moduri.

### Funcția Fruit&Veg

Această funcție este potrivită pentru a depozita fructe și legume, precum mere și morcovi etc.

### Funcția QuickCool

Această funcție este potrivită pentru a depozita băuturi precum Coca-Cola și bere etc.



### OBSERVAȚIE : Fruit&Veg

Fructele sensibile la temperaturile joase, precum ananasul, avocado, bananele, greșfruturile și legumele precum cartofii, vinetele, fasolea, castraveții, dovleceii și roșiile, dar și brânza, nu trebui depozitate în sertarul My Zone.

### Funcția 0°C Fresh

Această funcție setează temperatura din sertarul My Zone la 0°C. Potrivită pentru depozitarea alimentelor proaspete, cum ar fi carnea sau produsele instant. Cele mai multe alimente rămân proaspete la 0 °C, dar nu înghețate.



### OBSERVAȚIE : 0°C Fresh

1. Datorită conținutului diferit de apă al cărnii, unele tipuri de carne cu mai multă umiditate vor fi congelate la temperaturi mai mici de 0 °C. Așadar, carnea „care tocmai a fost tăiată” trebuie depozitată în sertarul My Zone, la temperaturi de minimum 0°C.
2. Când ați ales funcția 0°C Fresh setați temperatura compartimentului frigorific la nivelul scăzut (sub 5 °C), pentru a vă păstra alimentele într-un mediu optim de depozitare.

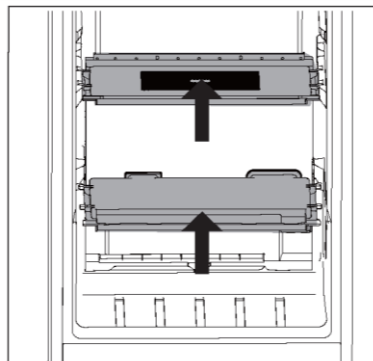
## Sertar Humidity Zone

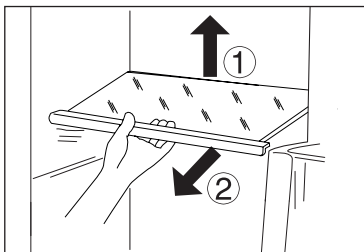
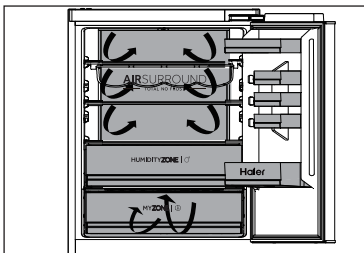
În acest compartiment nivelul de umiditate este mai mare decât cel al frigiderului. Este controlat automat de către sistem și este potrivit pentru a depozita fructe, legume, salate etc.



### OBSERVAȚIE

1. Nu îndepărtați capacul de plastic din interiorul celor două zone.
2. Acesta menține umiditatea.
3. Nu se recomandă ca fructele sensibile la frig, cum ar fi ananasul, avocado, bananele, greșfrutul, să fie depozitate în aceste două sertare.





### Flux de aer multiplu

1. Frigiderul este prevăzut cu un sistem cu flux de aer multiplu, prin care fluxurile de aer rece sunt asigurate la nivelul fiecărui raft. Acest lucru ajută la păstrarea unei temperaturi uniforme pentru a asigura faptul că alimentele dvs. sunt menținute proaspete pentru mai mult timp.

### Rafturi ajustabile

1. Înălțimea rafturilor poate fi ajustată pentru a se potrivi nevoilor dvs. de depozitare.
2. Pentru re poziționarea unui raft, scoateți-l mai întâi ridicând marginea din spate ① și trăgându-l afară ②.
3. Pentru montarea la loc, așezați-l pe canalele de pe ambele părți și împingeți-l în cea mai din spate poziție, până când partea din spate a raftului este fixată în interiorul fantelor laterale.

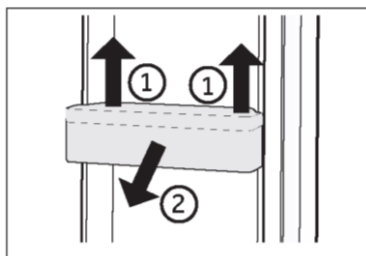


### OBSERVAȚIE

Asigurați-vă că toate capetele unui raft sunt drepte.

### Rafturi de ușă detașabile/suport pentru sticle

1. Rafturile de ușă pot fi demontate pentru curățare:
2. Puneți mâinile pe lateralele raftului, ridicați-l ① și trageți-l în afară ②.
3. Pentru introducerea raftului de ușă urmați pașii de mai sus în ordine inversă.



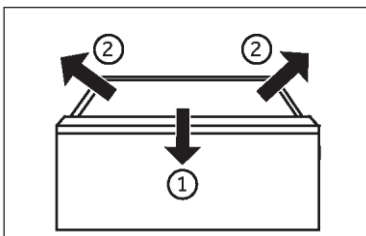
### OBSERVAȚIE

Atunci când aparatul este pornit, poate dura până la 12 ore pentru a ajunge la temperaturile corecte.

### Sertar demontabil

Pentru a scoate sertarul, trageți în afară până la maximum ①, ridicați și scoateți-l ②.

Pentru introducerea sertarului urmați pașii de mai sus în ordine inversă.



### Becul

Becul interior cu LED se aprinde la deschiderea ușii. Performanța luminilor nu este afectată de nicio altă setare a aparatului.





## Sfaturi de economisire a energiei

- ▶ Asigurați-vă că aparatul este ventilat corespunzător (consultați secțiunea INSTALARE).
- ▶ Nu instalați aparatul în lumina directă a soarelui sau în apropierea surselor de căldură (de ex., cuptoare, radiatoare).
- ▶ Evitați setarea temperaturilor nenecesare de scăzute în aparat. Consumul de energie crește odată cu scăderea temperaturii setate în aparat.
- ▶ Funcții precum Super Freeze consumă mai multă energie.
- ▶ Lăsați alimentele calde să se răcească înainte de a le amplasa în aparat.
- ▶ Deschideți ușa aparatului cât mai puțin și pentru o perioadă cât mai scurtă posibil.
- ▶ Nu umpleți excesiv aparatul, pentru a evita obstrucționarea fluxului de aer.
- ▶ Evitați prezența aerului în ambalajul alimentelor.
- ▶ Mențineți garniturile ușii curate astfel încât ușa să se închidă corect întotdeauna.
- ▶ Decongelați alimentele congelate în compartimentul de depozitare al frigiderului.
- ▶ Configurația pentru economisirea cea mai mare de energie necesită păstrarea sertarelor, cutiilor de alimente și rafturilor etc. în starea lor din fabrică, iar alimentele trebuie plasate cât mai departe posibil, fără a bloca orificiile de ieșire a aerului de pe conducta de aer.



## AVERTIZARE!

Deconectați aparatul de la rețeaua de alimentare înainte de curățare.

### Curățare

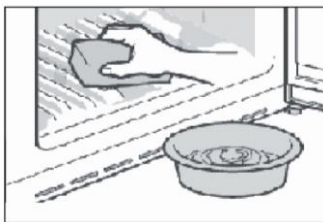
Curățați aparatul atunci când sunt depozitate puține alimente sau când acesta este gol.

Aparatul trebuie curățat o dată la patru săptămâni pentru o întreținere corectă și pentru a preveni mirosurile neplăcute cauzate de mîncarea depozitată.



## AVERTIZARE!

- ▶ Nu curățați aparatul cu perii aspre, cu perii de sîrmă, cu detergent pulbere, benzină, acetat de amil, acetonă sau soluții organice similare, soluții acide sau alcaline. Curățați cu detergent special pentru frigider pentru a evita deteriorările.
- ▶ Nu pulverizați și nu spălați aparatul în timpul curățării.
- ▶ Nu folosiți pulverizarea cu apă sau aburi de apă în timpul curățării aparatului.
- ▶ Nu curățați rafturile reci din sticlă cu apă fierbinte. Schimbarea bruscă de temperatură poate face ca sticla să se spargă.
- ▶ Nu atingeți suprafața interioară a compartimentului de depozitare al congelatorului, în special cu mâinile ude, deoarece mâinile pot îngheța pe suprafață.
- ▶ În cazul încălzirii, verificați starea produselor congelate.



- ▶ Asigurați întotdeauna curățenia garniturii ușii.
- ▶ Curățați interiorul și carcasa aparatului cu un burete înmuiat în apă caldă și detergent neutru.
- ▶ 1. Este indicat să ștergeți interiorul și exteriorul frigiderului, inclusiv garniturile ușilor, raftul de pe ușă, rafturile din sticlă, cutiile și celelalte elemente, cu un prosop moale sau cu un burete înmuiat în apă caldă (puteți adăuga detergent neutru în apa caldă).
- ▶ 2. Dacă se varsă lichid, îndepărtați toate părțile contaminate, clătiți direct cu jet de apă, uscați-le și puneți-le înapoi în frigider.
- ▶ 3. Dacă se varsă alimente cu consistență cremoasă (cum ar fi smântîna, înghețata topită), vă rugăm să îndepărtați toate părțile contaminate, puneți-le în apă caldă la aproximativ 40 °C pentru o perioadă de timp, apoi clătiți-le cu jet de apă, uscați-le și puneți-le înapoi în frigider.
- ▶ 4. În cazul în care o piesă sau o componentă mică rămîne blocată în interiorul frigiderului (între rafturi sau sertare), folosiți o perie moale mică pentru a o elibera. Dacă nu ați putut ajunge la piesă, contactați service-ul Haier.
- ▶ Clătiți și uscați c.u o cârpă moale.
- ▶ Nu curățați nicio parte a aparatului în mașina de spălat vase.
- ▶ Așteptați cel puțin 5 minute înainte de repornirea aparatului, deoarece pornirea frecventă poate deteriora compresorul.

### Decongelarea

Decongelarea compartimentului frigiderului și congelatorului au loc automat, nefiind necesară intervenția manuală.

## Înlocuirea becului LED



### AVERTIZARE!

Nu înlocuiți becul LED de unul singur. Acesta trebuie înlocuit de producător sau de un agent de service autorizat

Becul are un LED ca sursă de lumină a acestuia au un consum redus de energie și o durată mare de viață. În cazul în care există anormalități, contactați serviciul pentru clienți. Consultați secțiunea **SERVICIU PENTRU CLIEŢI**.

Parametrii becurilor:

Compartiment frigider: 12 V max 2 W

Compartiment congelator: 12 V max 2 W

### Neutilizare pentru o perioadă lungă

În cazul în care aparatul nu este utilizat pentru o perioadă mai lungă de timp și nu veți utiliza funcția Holiday pentru frigider:

Scoateți alimentele.

Deconectați cablul de alimentare.

Curățați aparatul conform descrierii de mai sus.

Țineți ușile congelatorului deschise pentru a preveni apariția mirosurilor neplăcute în interior.



### OBSERVAȚIE

Opriți aparatul numai dacă este strict necesar.

### Mutarea aparatului

1. Scoateți toate alimentele și deconectați aparatul.
2. Securizați rafturile și restul părților mobile din frigider și congelator cu bandă adezivă.
3. Nu înclinați frigiderul la mai mult de 45°, pentru a evita deteriorarea sistemului frigorific.



### AVERTIZARE!

- ▶ Nu ridicați aparatul de mână.
- ▶ Nu poziționați niciodată aparatul orizontal pe sol.

Multe probleme care pot apărea pot fi rezolvate de dvs., fără a fi necesare cunoștințe specifice. În cazul unei probleme verificați toate posibilitățile afișate și urmați instrucțiunile de mai jos înainte de a apela la un serviciu post-vânzare. Consultați secțiunea **SERVICIU PENTRU CLIENȚI**.



## AVERTIZARE!

- ▶ Înainte de întreținere, dezactivați aparatul și deconectați ștecărul de la rețeaua de alimentare.
- ▶ Echipamentele electrice trebuie depanate numai de către specialiști calificați în domeniul electric, deoarece reparațiile necorespunzătoare pot provoca daune indirecte considerabile.
- ▶ Un articol furnizat deteriorat trebuie înlocuit numai de către producător, agentul său de service sau persoane calificate similare, pentru a evita orice pericol.

Problemă	Cauză posibilă	Soluție posibilă
Compresorul nu funcționează.	<ul style="list-style-type: none"> <li>• Ștecărul de alimentare nu este conectat la priza de alimentare.</li> <li>• Aparatul este în ciclul de decongelare</li> </ul>	<ul style="list-style-type: none"> <li>• Conectați ștecărul de alimentare.</li> <li>• Acest lucru este normal în cazul unei decongelări automate</li> </ul>
Aparatul pornește frecvent sau pentru o perioadă prea mare de timp.	<ul style="list-style-type: none"> <li>• Temperatura interioară sau exterioară este prea ridicată.</li> <li>• Aparatul a fost deconectat de la energia electrică pentru o perioadă de timp.</li> <li>• O ușă a aparatului nu este închisă etanș.</li> <li>• Ușa a fost deschisă prea des sau pentru o perioadă prea lungă de timp.</li> <li>• Setarea temperaturii pentru compartimentul congelatorului este prea joasă.</li> <li>• Garnitura ușii este murdară, uzată, crăpată sau așezată incorect.</li> <li>• Circulația necesară a aerului nu este garantată.</li> </ul>	<ul style="list-style-type: none"> <li>• În acest caz, este normal ca aparatul să funcționeze mai mult timp.</li> <li>• În mod normal, durează între 8 și 12 ore ca aparatul să se răcească complet.</li> <li>• Închideți ușa/șterarul și asigurați-vă că aparatul este amplasat pe o suprafață dreaptă și că nu există vreun aliment sau recipient care să deranjeze ușa.</li> <li>• Nu deschideți ușa/șterarul prea des.</li> <li>• Setati temperatura la un valoare mai ridicată până când este obținută o temperatură satisfăcătoare a frigiderului. Durează 24 de ore ca temperatura frigiderului să se stabilizeze.</li> <li>• Curățați garnitura ușii/șterarului sau înlocuiți-o prin serviciul pentru clienți.</li> <li>• Asigurați o ventilație adecvată.</li> </ul>
Interiorul frigiderului este murdar și/sau miroase.	<ul style="list-style-type: none"> <li>• Interiorul frigiderului necesită curățare.</li> <li>• Sunt depozitate alimente cu miros puternic în frigider.</li> </ul>	<ul style="list-style-type: none"> <li>• Curățați interiorul frigiderului.</li> <li>• Ambalați bine alimentele.</li> </ul>

Problemă	Cauză posibilă	Soluție posibilă
În interiorul aparatului nu este suficient de rece.	<ul style="list-style-type: none"> <li>• Temperatura setată este prea ridicată.</li> <li>• Au fost depozitate alimente prea calde.</li> <li>• Au fost depozitate prea multe alimente în același timp.</li> <li>• Produsele sunt prea apropiate între ele.</li> <li>• O ușă/un sertar al aparatului nu este închis etanș.</li> <li>• Ușa/sertarul a fost deschis prea des sau pentru o perioadă prea mare de timp.</li> </ul>	<ul style="list-style-type: none"> <li>• Resetați temperatura.</li> <li>• Răciți întotdeauna produsele înainte de a le depozita.</li> <li>• Depozitați întotdeauna cantități mici de alimente.</li> <li>• Lăsați un spațiu liber între mai multe alimente pentru a permite trecerea aerului.</li> <li>• Închideți ușa/sertarul.</li> <li>• Nu deschideți ușa/sertarul prea des.</li> </ul>
În interiorul aparatului este prea rece.	<ul style="list-style-type: none"> <li>• Temperatura setată este prea joasă.</li> <li>• Funcția Super Freeze/Super Cool este activată sau este activă de prea mult timp.</li> </ul>	<ul style="list-style-type: none"> <li>• Resetați temperatura.</li> <li>• Opriti funcția Super Freeze/Super Cool.</li> </ul>
Se formează umezeală în interiorul compartimentului frigiderului.	<ul style="list-style-type: none"> <li>• Climatul este prea călduros și prea umed.</li> <li>• O ușă/un sertar al aparatului nu este închis etanș.</li> <li>• Ușa/sertarul a fost deschis prea des sau pentru o perioadă prea mare de timp.</li> <li>• Recipientele cu alimente sau lichide sunt lăsate deschise.</li> </ul>	<ul style="list-style-type: none"> <li>• Creșteți temperatura.</li> <li>• Închideți ușa/sertarul.</li> <li>• Nu deschideți ușa/sertarul prea des.</li> <li>• Lăsați alimentele fierbinți să se răcească la temperatura camerei și acoperiți alimentele și lichidele.</li> </ul>
Umezeala se acumulează pe suprafața exterioară a frigiderului sau între uși/ușă și sertar.	<ul style="list-style-type: none"> <li>• Climatul este prea călduros și prea umed.</li> <li>• Ușa nu este închisă etanș. Aerul rece din aparat și aerul cald din exterior formează condens.</li> </ul>	<ul style="list-style-type: none"> <li>• Acest lucru este normal într-un climat umed și se va modifica atunci când umiditatea va scădea.</li> <li>• Asigurați-vă că ușa/sertarul este închis etanș.</li> </ul>
Lumina afișajului funcționează, dar nu se simte rece.	<ul style="list-style-type: none"> <li>• Este în modul demo.</li> </ul>	<ul style="list-style-type: none"> <li>• Vă rugăm să rețineți în ce stare se află, dacă este în modul Demo, părsați-l. leșire: țineți apăsat butonul „ECO” și faceți clic pe tasta „Super Freeze” de 5 ori în 5s.</li> </ul>

Problemă	Cauză posibilă	Soluție posibilă
Gheață solidă în compartimentul congelatorului.	<ul style="list-style-type: none"> <li>• Produsele nu au fost ambalate corespunzător.</li> <li>• O ușă/un sertar al aparatului nu este închis etanș.</li> <li>• Ușa/sertarul a fost deschis prea des sau pentru o perioadă prea mare de timp.</li> <li>• Garnitura ușii/sertarului este murdară, uzată, crăpată sau așezată incorect.</li> <li>• Ceva din interior împiedică închiderea corespunzătoare a ușii/sertarului.</li> </ul>	<ul style="list-style-type: none"> <li>• Ambalați întotdeauna bine produsele.</li> <li>• Închideți ușa/sertarul.</li> <li>• Nu deschideți ușa/sertarul prea des.</li> <li>• Curățați garnitura ușii/sertarului sau înlocuiți-o cu una nouă.</li> <li>• Repoziționați rafturile, rafturile de ușă sau recipientele interne pentru a permite închiderea ușii/sertarului.</li> </ul>
Lateralele dulapului și garnitura ușii se încălzesc.	<ul style="list-style-type: none"> <li>• -</li> </ul>	<ul style="list-style-type: none"> <li>• Acest lucru este normal.</li> </ul>
Aparatul emite sunete anormale.	<ul style="list-style-type: none"> <li>• Aparatul nu se află pe o suprafață dreaptă.</li> <li>• Aparatul atinge unele obiecte din jurul acestuia.</li> </ul>	<ul style="list-style-type: none"> <li>• Reglați suportul pentru a aduce aparatul la același nivel.</li> <li>• Îndepărtați obiectele din jurul aparatului.</li> </ul>
Se aude un sunet similar cu cel al apei care curge.	<ul style="list-style-type: none"> <li>• -</li> </ul>	<ul style="list-style-type: none"> <li>• Acest lucru este normal.</li> </ul>
Veți auzi o alarmă sonoră.	<ul style="list-style-type: none"> <li>• Ușa compartimentului de depozitare al frigiderului este deschisă.</li> </ul>	<ul style="list-style-type: none"> <li>• Închideți ușa.</li> </ul>
Veți auzi un zumzet slab.	<ul style="list-style-type: none"> <li>• Sistemul anti-condens este în funcțiune</li> </ul>	<ul style="list-style-type: none"> <li>• Acesta împiedică formarea condensului și este normal</li> </ul>
Iluminarea interioară sau sistemul de răcire nu funcționează.	<ul style="list-style-type: none"> <li>• Ștecărul de alimentare nu este conectat la priza de alimentare.</li> <li>• Sursa de alimentare nu este intactă.</li> <li>• Becul cu LED este defect.</li> </ul>	<ul style="list-style-type: none"> <li>• Conectați ștecărul de alimentare.</li> <li>• Verificați sursa de alimentare cu energie electrică din cameră. Contactați compania locală de electricitate!</li> <li>• Contactați serviciul de depanare pentru înlocuirea becului.</li> </ul>

Pentru contactarea asistenței tehnice, vizitați site-ul nostru web: <https://corporate.haier-europe.com/en/>

La secțiunea „website” alegeți marca produsului dvs. și țara dvs.

Veți fi redirecționat către site-ul specific unde puteți găsi numărul de telefon și formularul pentru a contacta asistența tehnică.

### **Pană de curent**

În cazul unei pene de curent, alimentele ar trebui să rămână reci timp de aproximativ 5 ore. Urmați aceste sfaturi în cazul unei pene de curent prelungite, în special pe timpul verii:

- ▶ Deschideți ușa/sertarul de cât mai puține ori posibil.
- ▶ Nu puneți alimente adiționale în aparat în timpul unei pene de curent.
- ▶ În cazul în care știți că se va produce o pană de curent, iar durata acesteia va fi mai mare de 5 ore, faceți cuburi de gheață și puneți-le într-un recipient în partea de sus a compartimentului frigiderului.
- ▶ Imediat după întreruperea energiei electrice este necesară inspectarea produselor.
- ▶ Dat fiind faptul că temperatura din frigider va crește în timpul unei pene de curent sau în cazul altei defecțiuni, perioada de depozitare și calitatea alimentelor comestibile vor fi reduse. Alimentele care se decongelează trebuie consumate sau gătitе și recongelate (unde este cazul) cât mai curând după aceea, pentru a preveni apariția riscurilor pentru sănătate.

### **Funcția de memorare în timpul penei de curent**

După restabilirea alimentării cu energie electrică, aparatul continuă să funcționeze cu setările stabilite înainte de producerea penei de curent.

## Despachetare

**AVERTIZARE!**

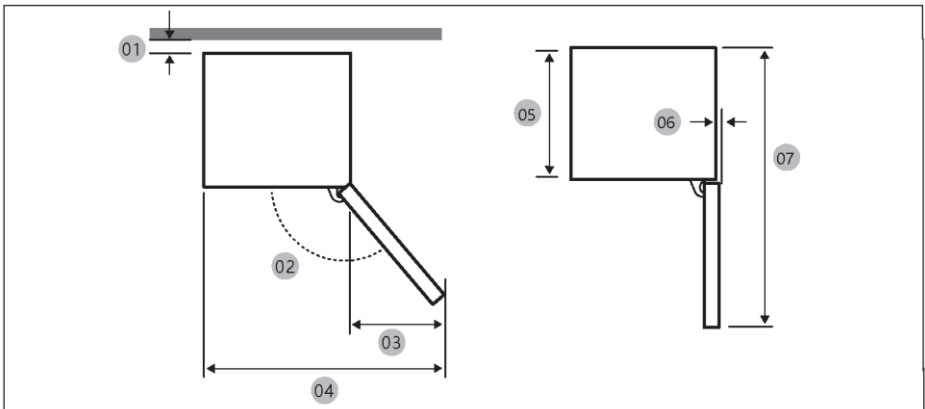
- ▶ Aparatul este greu/Manevrați întotdeauna aparatul cu cel puțin două persoane.
- ▶ Țineți toate materialele de ambalare la distanță de copii și eliminați-le într-un mod ecologic.
- ▶ Scoateți aparatul din ambalaj.
- ▶ Îndepărtați toate materialele de ambalare.

**Condiții ambientale**

Temperatura camerei trebuie să fie cuprinsă întotdeauna între 10 °C și 43 °C, deoarece poate influența temperatura din interiorul aparatului și consumul de energie al acestuia. Nu instalați aparatul în apropierea altor aparate care emit căldură (cuptoare, frigider) fără izolare.

**Cerințe legate de spațiu**

Spațiul necesar la deschiderea ușii (fără panoul ușii dulapului)



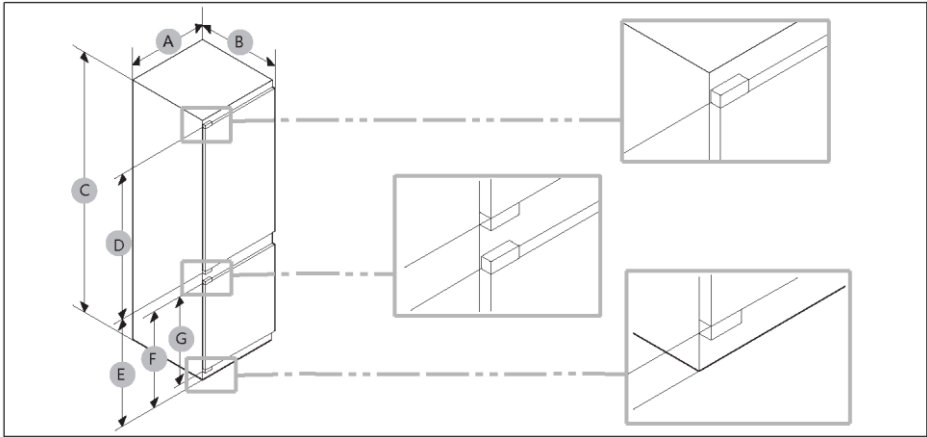
Model	HBW7518C HBW7518DT
01 *	10 (min.) / 30 (recomandat)
02	95° (Recomandat)
03	43
04	583
05	515
06	-3
07	1060

(unitate : mm)

\* 01: De la dulap la partea din spate a produsului.



## Dimensiunea produsului



Model	A(mm)	B(mm)	C(mm)	D(mm)	E(mm)	F(mm)	G(mm)
HBW7518C HBW7518DT	540±2	550±2	1772±2	970	745	662	618

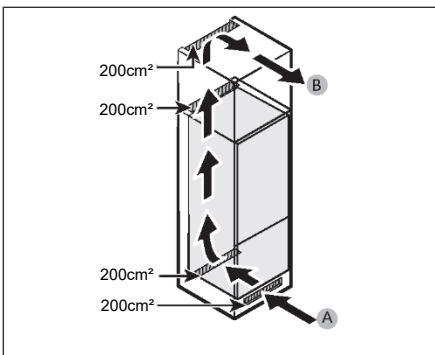


## OBSERVAȚIE

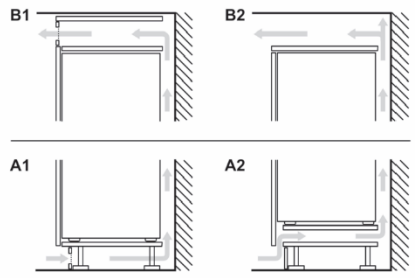
- Consumul de energie specificat se bazează pe condiția unui spațiu de 10 mm între dulap și partea din spate a produsului. Produsul va funcționa corect chiar și în cazul unui spațiu mai mic de 10 mm, însă consumă ceva mai multă energie.
- Vă recomandăm să folosiți un dulap cu o grosime de 18 mm și balamale cu o grosime mai mică de 20 mm.
- Măsurătorile din tabelul de mai sus pot fi diferite, în funcție de metoda de măsurare.
- Pentru instalarea ca produs încorporat, consultați ghidul de instalare.

## Secțiune transversală ventilare

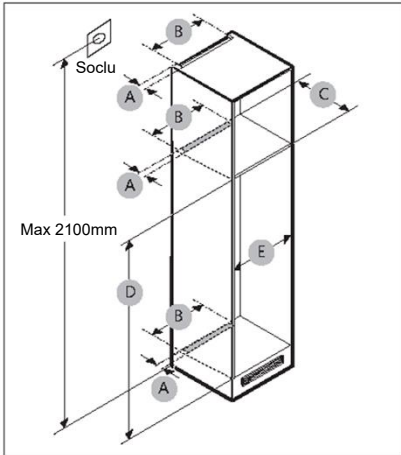
Pentru a obține o ventilare suficientă a aparatului, din motive de siguranță, trebuie respectate informațiile legate de secțiunile transversale ale ventilării necesare.



**A:** Intrarea aerului  $\geq 200\text{cm}^2$ ; Opțiuni de ventilație  
**B:** Ieșirea aerului  $\geq 200\text{cm}^2$ ; Opțiuni de ventilație



## Dimensiunea dulapului



## ATENȚIE!

Orice defecțiune a produsului cauzată de următoarele nu este acoperită de garanție.

1. Condiții de amplasare necorespunzătoare sau dimensiuni incorecte ale dulapului.
2. Dulap defect.
3. Greșeli ale instalatorului sau ale utilizatorului.

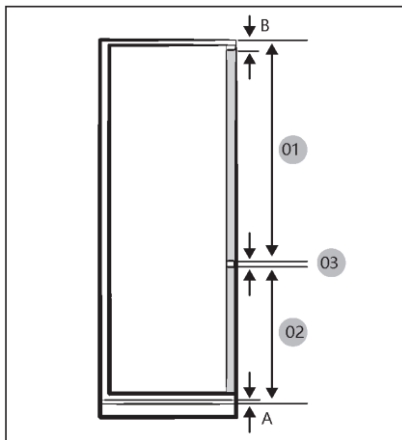
## Spațiu

Consultați imaginile și tabelele de mai jos pentru a vedea spațiul necesar pentru instalare.

Model		A (mm)	B (mm)	C (mm)	D (mm)	E (mm)	Observație
HBW7518C HBW7518DT	Min.	50	400	560	1778	560	Balama: 17mm
	Recomandat			580	1780	562	
	Zonă de max.			-	1782	568	

## **i** OBSERVAȚIE

- Dacă lățimea unui dulap este mai mare de 568 mm, garnitura (dintre frigider și dulap) se poate slăbi.
- În cazul în care dulapul este mai înalt decât dimensiunea maximă (1782 mm), trebuie să folosiți alte materiale de finisare pentru a umple golul.



## **i** OBSERVAȚIE

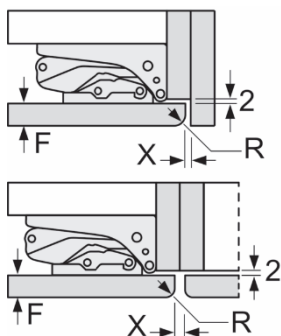
Pentru a instala un dulap care necesită un spațiu de 4 mm (03), consultați tabelul cu referințele dulapului de mai jos.

- A. Marginea inferioară a panoului frontal deasupra ventilației de aerisire
- B. Panoul frontal dispus suspendat

(unitate: mm)

Model	HBW7518C HBW7518DT
01	Min. 1028+B Max. 1106+B
02	Min. 662+A Max. 740+A
03	4 mm (spațiul față de panoul ușii dulapului pentru frigider și congelator)

Dimensiunile recomandate pentru balamale plate (pentru balamale fixe sau moi).

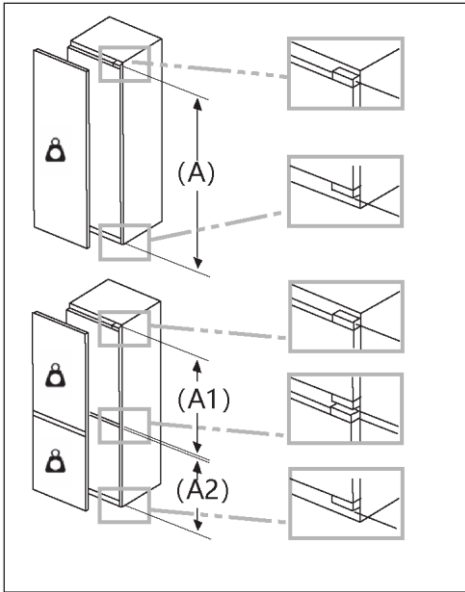


(unitate: mm)


F	R	X
16-19	0-3	2,5
20	0-1	3
	2-3	2,5
21	0-1	3
	2-3	2,5
22	0	4
	1	3,5
	2-3	3

Dimensiunile de spațiu recomandate în tabel trebuie respectate pentru a vă asigura că ușile aparatelor nu se ciocnesc atunci când sunt deschise și pentru a evita deteriorarea dulapurilor de bucătărie.

## Greutatea maximă admisibilă a părților frontale ale unității

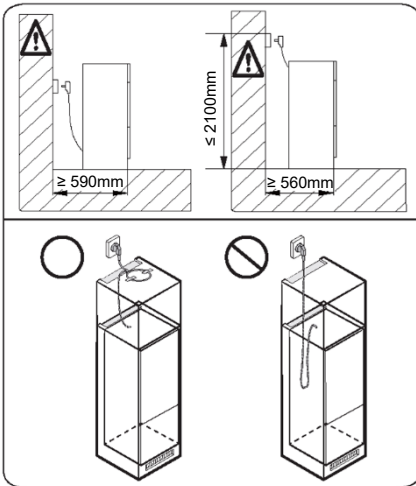


Părțile frontale ale unităților montate care depășesc greutatea admisă pot cauza deteriorări și pot afecta funcționalitatea balamalelor.

 **Greutate**  
(kg)

1500-1750 mm	22
720-1400 mm	19
A1	15
A2	15

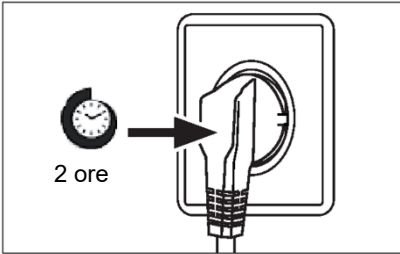
## Luarea în calcul a locației prizei și a spațiului necesar



## OBSERVAȚIE

Dacă instalați frigiderul într-un dulap cu o adâncime de 560 mm, cablul de alimentare trebuie dispus pe o parte a frigiderului înainte de a-l conecta la o priză. În cazul în care cablul de alimentare se află în partea din spate a frigiderului, aceasta ar putea reduce eficiența energetică.

### Timpul de așteptare



Uleiul de ungere fără întreținere este amplasat în capsula compresorului. Uleiul respectiv poate trece prin sistemul cu țevi închis în timpul transportării înclinată. Înainte de conectarea aparatului la sursa de alimentare, trebuie să așteptați cel puțin 2 ore pentru ca uleiul să curgă înapoi în capsulă.

### Conexiunea electrică

Înainte de fiecare conexiune verificați dacă:

- ▶ sursa de alimentare, priza și siguranța sunt conforme cu plăcuța cu date tehnice.
- ▶ priza de alimentare este legată la împământare și nu este de tip prize multiple sau prelungitor.
- ▶ ștecărul și priza de alimentare sunt strict conforme.

Conectați ștecărul la o priză de la domiciliu instalată corespunzător.



## **AVERTIZARE!**

Pentru evitarea riscurilor, cablul de alimentare deteriorat trebuie înlocuit prin serviciul pentru clienți (consultați fișa de garanție).

## Fișa de produs conform reglementării UE nr. 2019/2016

Marca	Haier	Haier
Numele/identificatorul modelului	HBW7518C	HBW7518DT
Categoria modelului	Combină frigorifică	Combină frigorifică
Clasa de eficiență energetică	C	D
Consumul anual de energie (kWh/an)(1)	146	180
Volumul total (l)	268	268
Volum frigider (l)	182	182
Volum congelator (l)	86	86
Volumul secțiunii de răcire (l)	/	/
Volumul dispozitivului automat pentru cuburi de gheață (l)	/	/
Clasificarea prin stele	4	4
Temperatura altor compartimente > 14 °C	Nu se aplică	Nu se aplică
Sistem fără îngheț	Da	Da
Capacitatea de congelare (kg/24 h)	8	8
Evaluare temperatură (2)	SN/N/ST/T	SN/N/ST/T
Clasa de emisii sonore și emisii de zgomote acustice aeropurtate (db(A) re 1pW)	B 32	B 32
Timpu necesar creșterii temperaturii (h)	12	11
Capacitate de producere a gheții	/	/
Tipul aparatului	încorporat	încorporat

Numele modelului	Clasa de eficiență energetică
HBW7518C	C
HBW7518DT	D

Explicații:

• Da, prezentate

(1) Pe baza rezultatelor testului de conformitate cu standardele, cu o durată de peste 24 de ore. Consumul real depinde de utilizarea și locația aparatului.

(2) Evaluare temperatură SN: Acest aparat este destinat utilizării la o temperatură ambientală cuprinsă între + 10 °C și +32 °C

Evaluare temperatură N: Acest aparat este destinat utilizării la o temperatură ambientală cuprinsă între + 16 °C și +32 °C

Evaluare temperatură ST: Acest aparat este destinat utilizării la o temperatură ambientală cuprinsă între + 16 °C și +38 °C

Evaluare temperatură T: Acest aparat este destinat utilizării la o temperatură ambientală cuprinsă între + 16 °C și +43 °C

#### Date tehnice suplimentare

Tensiune/Frecvență	220-240V ~/ 50Hz
Curentul de intrare (A)	2
Siguranța principală (A)	16
Răcire	R600a
Dimensiuni (Î/L/A în mm)	1772/540/550

Vă recomandăm să apelați la serviciul pentru clienți Haier și să utilizați piese de schimb originale.

Dacă aveți o problemă cu aparatul, consultați mai întâi secțiunea DEPANARE.

Dacă nu găsiți nicio soluție acolo, contactați

- ▶ distribuitorul local sau
- ▶ Centrul nostru european de servicii telefonice (vedeți numerele de telefon enumerate mai jos) sau
- ▶ zona Service și Asistență pe [www.haier.com](http://www.haier.com), unde puteți activa cererea de service
- ▶ și găsi, de asemenea, întrebări frecvente.

Pentru contactarea serviciului nostru, asigurați-vă că aveți următoarele date.

Informațiile pot fi găsite pe plăcuța cu date tehnice.

Model \_\_\_\_\_

Nr. serie \_\_\_\_\_

De asemenea, verificați și fișa de garanție furnizată cu produsul, în cazul garanției.

Centrul european de servicii telefonice		
Țara*	Număr de telefon	Costuri
Haier Italy (IT)	199 100 912	
Haier Spain (ES)	902 509 123	
Haier Germany (DE)	0180 5 39 39 99	<ul style="list-style-type: none"> <li>• 14 Ct/min de pe telefon fix</li> <li>• max 42 Ct/Min de pe mobil</li> </ul>
Haier Austria (AT)	0820 001 205	<ul style="list-style-type: none"> <li>• 14,53 Ct/min de pe telefon fix</li> <li>• max 20 Ct/Min de pe toate celelalte</li> </ul>
Haier United Kingdom (UK)	0333 003 8122	
Haier France (FR)	0980 406 409	



\* Pentru alte țări, consultați [www.haier.com](http://www.haier.com)

Haier Europe Trading S.r.l

Filiala Marea Britanie

Westgate House, Westgate, Ealing

Londra, W5 1YY

\*Durata garanției aparatului frigorific:

Garanția minimă este de: 2 ani pentru țările din UE, 3 ani pentru Turcia, 1 an pentru Marea Britanie, 1 an pentru Rusia, 3 ani pentru Suedia, 2 ani pentru Serbia, 5 ani pentru Norvegia, 1 an pentru Maroc, 6 luni pentru Algeria, Tunisia nu necesită nicio garanție legală.

\* Perioada de piese de schimb pentru repararea aparatului:

Termostatele, senzorii de temperatură, plăcile cu circuite imprimate și sursele de lumină sunt disponibile timp de o perioadă minimă de șapte ani de la punerea ultimei unități a modelului pe piață.

Mânerile de uși, balamalele de uși, tăvile și coșurile, timp de o perioadă minimă de șapte ani, iar garniturile de uși timp de o perioadă minimă de 10 ani de la punerea pe piață a ultimei unități a modelului.

\*Pentru mai multe informații despre produs, vă rugăm consultați

<https://eprel.ec.europa.eu/> sau scanați codul QR de pe eticheta energetică furnizată cu aparatul.

The Haier logo is displayed in a bold, black, sans-serif font. The background of the page features abstract geometric shapes in shades of gray and white, including a large dark gray shape on the left and a large light gray shape on the right, both with rounded corners and pointed ends.

专用号条码

0060536192  
2024 Version A