

Owner's Manual
Instrukcja obsługi
Návod k použití
Navodila za uporabo
Használati útmutató
Upute za upotrebu
Lietošanas instrukcija

Instrucțiune de deservire
Инструкция за употреба
Οδηγίες χρήσης
Kasutusjuhend
Naudojimo instrukcijos
Užívateľská príručka



Enjoy it.

Bluetooth micro system with HDMI(ARC)

Important Safety Instructions


CAUTION


RISK OF ELECTRIC SHOCK DO NOT OPEN

Caution:

To reduce the risk of electric shock, do not remove cover (or back). No user serviceable parts inside. Refer servicing to qualified service personnel.

Explanation of Graphical Symbols:



The lightning flash within an equilateral triangle is intended to alert you to the presence of uninsulated dangerous voltage within the product's enclosure that may be of sufficient magnitude to constitute an electric shock to a person or persons.



The exclamation point within an equilateral triangle is intended to alert you to the presence of important operating and maintenance (servicing) instructions in the literature accompanying the product.

To achieve the utmost in enjoyment and performance, and in order to become familiar with its features, please read this manual carefully before attempting to operate this product. This will assure you years of trouble free performance and listening pleasure.

Important Notes

- This safety and operating instruction should be retained for future reference.
- The apparatus should not be exposed to dripping or splashing or placed in a humid atmosphere such as a bathroom.
- Do not install the product in the following areas:
- Places exposed to direct sunlight or close to radiators.
- On top of other stereo equipment that radiate too much heat.
- Blocking ventilation or in a dusty area.
- Areas where there is constant vibration.
- Humid or moist places.
- Do not place near candles or other naked flames.
- Operate the product only as instructed in this manual.
- Before turning on the power for the first time, make sure the power adaptor is properly connected.
- Plug-in the USB stick directly or use a USB-extension cable which is not longer than 25 cm.

For safety reasons, do not remove any covers or attempt to gain access to the inside of the product. Refer any servicing to qualified personnel.

Do not attempt to remove any screws, or open the casing of the unit; there are no user serviceable parts inside. Refer all servicing to qualified service personnel.

SAFETY INSTRUCTIONS

1. Read Instructions - All the safety and operating instructions must be read before the product is operated.
2. Retain Instructions - The safety and operating instructions should be kept with the product for future reference.
3. Heed warnings - All warnings on the product and in the operating instructions should be adhered to.
4. Follow instructions - All operating and users' instructions should be followed.
5. Installation - Install in accordance with the manufacturer's instructions.
6. Power sources - This product should be operated only from the type of power source indicated by the marking adjacent to the power cord entry. If you are not sure of the type of power supply to your home, consult your product dealer or local power company.
7. Grounding or polarization - the product is not required to be grounded. Ensure that the plug is fully inserted into the wall outlet or extension cord receptacle to prevent blade or pin exposure. Some versions of the product are equipped with a power cord fitted with a polarized alternating line plug (a plug having one blade wider than the other). This plug will fit onto the power outlet only one way. This is a safety feature. If you are unable to insert the plug fully into the outlet, try reversing the plug. If the plug should still fail to fit, contact your electrician to replace your obsolete outlet. Do not defeat the safety purpose of the polarized plug. When using an extension power-supply cord or a power-supply cord other than that supplied with the appliance, it should be fitted with the appropriate molded plugs and carry safety approval appropriate to the country of use.
8. Power cord protection - Power-supply cords should be routed so that they are not likely to be walked on, kinked or pinched by items placed on or against them, paying particular attention to cords from plugs, receptacles and the point where they exit from the product.
9. Overloading - Do not overload wall outlets, extension cords, or multiple sockets, as this can result in a risk of fire or electric shock.
10. Ventilation - The product must be properly ventilated. Do not place the product on a bed, sofa, or other similar surface. Do not cover the product with any items such as tablecloths, newspapers, etc.
11. Heat - The product should be situated away from heat sources such as radiators, heat registers, stoves, or other products, including amplifiers that produce heat. No naked flame sources, such as lighted candles, should be placed on the apparatus.
12. Water and moisture - To reduce the risk of fire or electric shock, do not expose the product to rain, dripping, splashing or excessive moisture such as in a sauna or bathroom. Do not use this product near water, for example, near a bathtub, washbowl, kitchen sink, laundry tub, in a wet basement or near a swimming pool (or similar).

13. Object and Liquid Entry - Never push objects of any kind into this product through openings, as they may touch dangerous voltage points or short-circuit parts that could result in a fire or electric shock. Never spill liquid of any kind on the product. Do not place any object containing liquid on top of the product.
14. Cleaning - Unplug the product from the wall outlet before cleaning. Dust in the woofer may be cleaned with a dry cloth. If you wish to use an aerosol cleaning spray, do not spray directly on the cabinet; spray onto the cloth. Be careful not to damage the drive units.
15. Attachments - Do not use attachments not recommended by the product manufacturer, as they may cause hazards.
16. Accessories - Do not place this product on an unstable cart, stand, tripod, bracket or table. The product may fall, causing serious injury to a child or adult, and serious damage to the product. Use only with a cart, stand, tripod, bracket or table recommended by the manufacturer or sold with the product. Any mounting of the product should follow the manufacturer's instructions and should use a mounting accessory recommended by the manufacturer.
17. Moving the product - A product and cart combination should be moved with care. Quick stops, excessive force and uneven surfaces may cause the product and cart combination to overturn.
18. Unused periods - The power cord of the appliance should be unplugged from the outlet during lightning storms or when the apparatus is left unused for a long period of time.
19. Servicing - Do not attempt to service this product yourself, as opening or removing covers may expose you to dangerous voltage or other hazards. Refer all servicing to qualified service personnel.
20. Please remove the power plug from the main power source or wall power source when not in use. When plugged in to a power source, the system is in standby mode, so the power is not entirely cut off.
21. Replacement parts - When replacement parts are required, ensure that the service technician has used replacement parts specified by the manufacturer or have the same characteristics as the original part. Unauthorized substitutions may result in fire, electric shock or other hazards.
22. Mains fuses - For continued protection against fire hazard, use fuses only of the correct type and rating. The correct fuse specification for each voltage range is marked on the product.
23. Do not turn up the volume while listening to a section with very low level inputs or no audio signals. If you do, the speaker may be damaged when a peak level section is suddenly played.
24. The only means of completely disconnecting the product from the power supply is by removing the power cord from the wall outlet or the product. The wall outlet or the power cord entry to the product must remain freely accessible at all times while the product is in use.
25. Try to install the product near a wall socket or extension cord and shall be easily accessible.
26. The highest environmental temperature suitable for this product is 35°C.
27. ESD hints - If the product maybe reset or not reset to operation of control due to electrostatic discharge, just switch off and reconnect again, or move the product to another location.
28. Battery
 - a. The batteries must not be exposed to excessive heat such as sunshine, fire or the like.
 - b. The batteries should be drawn to the environmental aspects of battery disposal.
 - c. Battery usage CAUTION- to prevent battery leakage which may result in body injuries, property damage, or damage to the apparatus:
 - . Install all batteries correctly, + and – as marked on the apparatus.
 - . Do not mix batteries (old and new or carbon and alkaline, etc.)
 - . Remove batteries when the unit is not used for a long time.

ERP2 (Energy Related Products) note

This product with ecodesign complies with the stage 2 requirements of Commission Regulation (EC) NO. 1275/2008 implementing Directive 2009/125/EC regard to standby and off mode electric power consumption of electronic household and office equipment. After 30 minutes without any audio input, the device will automatically switch into standby mode. Follow up the instruction manual to resume the operation.

Important note:

This device is equipped with an energy saving mode: if no signal is given during 30 minutes the device will switch automatically into standby mode in order to save energy (ERP 2 standard). Please note that low volume setting in the audio source may be recognized as "no audio signal": this will affect the capability of signal detection from the device and can also originate an automatic switch into standby mode. If this happens please reactivate the audio signal transmission or increase the volume setting on the audio source player (MP3 player, etc.), in order to resume playback. Please contact the local service center if the problem remains.

WARNING

This appliance is not intended for use by persons (including children) with reduced physical sensory or mental capabilities, or lack of experience and knowledge, unless they have been given supervision or instruction concerning use of the appliance by a person responsible for their safety. Children should be supervised to ensure that they do not play with the appliance.

1. Never use the device unsupervised! Switch off the device whenever you are not using it, even if this only for a short while.
2. The appliance is not intended to be operated by means of an external timer or separate remote control system.
3. If the supply cord is damaged, it must be replaced by the manufacturer, its service agent or similarly qualified persons in order to avoid a hazard.
4. Before operating this system, check the voltage of this system to see if it is identical to the voltage of your local power supply.

5. The unit should not be impeded by covering the ventilation opening with items such as newspaper, table-cloths, curtains etc. Make sure that there are at least 20 cm of space above and at least 5 cm of space on each side of the unit.
6. The apparatus must not be exposed to dripping or splashing and that objects filled with liquids, such as vases, must not be placed on the apparatus.
7. To prevent fire or shock hazard, do not expose this equipment to hot places, rain, moisture or dust.
8. Do not locate this unit near any water sources e.g. taps, bathtubs, washing machines or swimming pools. Ensure that you place the unit on a dry, stable surface.
9. Do not place this unit close to a strong magnetic field.
10. Do not place the unit on an amplifier or receiver.
11. Do not place this unit in a damp area as the moisture will affect the life of electric components.
12. If the system is brought directly from a cold to a warm location, or is placed in a very damp room, moisture may condense on the lens inside the player. If this occurs, the system will not operate properly. Please leave the system turned on for about an hour until the moisture evaporates.
13. Do not attempt to clean the unit with chemical solvents as this might damage the finish. Wipe with a clean, dry or slightly damp cloth.
14. When removing the power plug from the wall outlet, always pull directly on the plug, never pull on the cord.
15. Depending on the electromagnetic waves used by a television broadcast, if a TV is turned on near this unit while it is also on, lines might appear on the TV screen. Neither this unit nor the TV is malfunctioning. If you see such lines, keep this unit well away from the TV set.
16. The mains plug is used as the disconnect device, the disconnect device must remain readily operable.
17. To keep the laser pickup clean, do not touch it, and always close the disc tray.
18. During playback, the disc rotates at high speed. DO NOT lift or move the unit during playback, doing so may damage the disc or the unit.
19. When changing places of installation or packing the unit for moving, be sure to remove the disc and return the disc tray to its closed position in the player. Then, press switch to turn the power off and disconnect the power cord. Moving this unit with the disc loaded may result in damage to this unit.
20. Put discs back in their case after playing them. Never expose discs to direct sunlight or heat sources. Never leave discs inside a car parked in full sunlight.
21. Do not touch the playback side of disks. Hold discs by the edges to avoid leaving fingerprints on the surface. Any dust, fingerprints or scratches may cause a malfunction. Never attach a label or sticky tape to the disc.
22. Use a clean soft lint-free cloth to clean the disc, working from the center outwards in a straight line, thinners, commercially available cleaners or anti static sprays for vinyl discs.
23. To prevent possible hearing damage, do not listen at high volume levels for long periods.



WARNING: DANGER OF RADIATION

CLASS 1 LASER PRODUCT
LUOKAN 1 LASERLAITE
KLASS 1 LASERAPPARAT

This label means that this unit contains a laser component. Opening the CD compartment lid and defeating the safety interlocks will expose the user to radiation from the laser beam. Do not stare into the laser while it is operating.

BEFORE OPERATION

Notes: Concerning compact discs.



- Since dirty, damaged or warped discs may damage the appliance, care should be taken of the followings items:
- a. Usable compact discs. Use only compact disc with the mark shown below.
 - b. CD compact disc only with digital audio signals.

NOTICE



Hereby, Blaupunkt Competence Center 2N-Everpol Sp. z o.o., declares that this equipment is in compliance with the essential requirement and other relevant provisions of Directive 2014/53/EU. Declaration of conformity can be obtained from the product page at www.blaupunkt.com.

Responsible party: 2N-Everpol Sp. z o.o., Puławska 403A, 02-801 Warsaw, Poland, Phone: +48 22 688 08 00, E-mail: info@everpol.pl



Your products is designed a manufactured with high quality materials and components, which can be recycled and reused.



If there is a crossed-out bin symbol on your device, it means that the product is covered by the provisions of European Directive 2012/19/EU. Based on this, please follow local regulations and familiarize yourself with the requirements for your local electrical and electronic waste collection system and, in the case of this product, comply with them.

**DO NOT DISPOSAL THIS PRODUCT WITH YOUR HOUSEHOLD WASTE!
THIS PRODUCT CONTAINS HAZARDOUS SUBSTANCES, MIXTURES AND COMPONENTS WHICH, IF UNAUTHORIZED, CAN BE A SOURCE OF POTENTIAL EFFECTS ON THE NATURAL ENVIRONMENT AND HUMAN HEALTH!**

Correct disposal of the used product will prevent negative effects on the environment and human health.



Your product contains batteries covered by the European Directive 2006/66/EC, which cannot be disposed with normal household waste. Please inform yourself about the local rules on separate collection of batteries because correct disposal helps to prevent negative consequences for the environmental and human health.

Environmental information

All unnecessary packaging has been omitted. We have tried to make the packaging easy to separate into three materials: cardboard (box), polystyrene foam (buffer) and poly ethylene (bags, protective foam sheet). Your system consists of material which can be recycled and reused if disassembled by a specialized company. Please observe the local regulations regarding the disposal of packaging materials, exhausted batteries and old equipment.

Recording and playback of material might require consent. See Copyright Act 1956 and The Performer's Protection Acts 1958 to 1972.



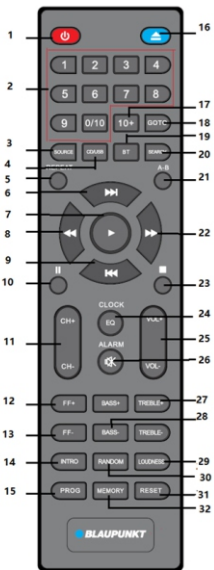
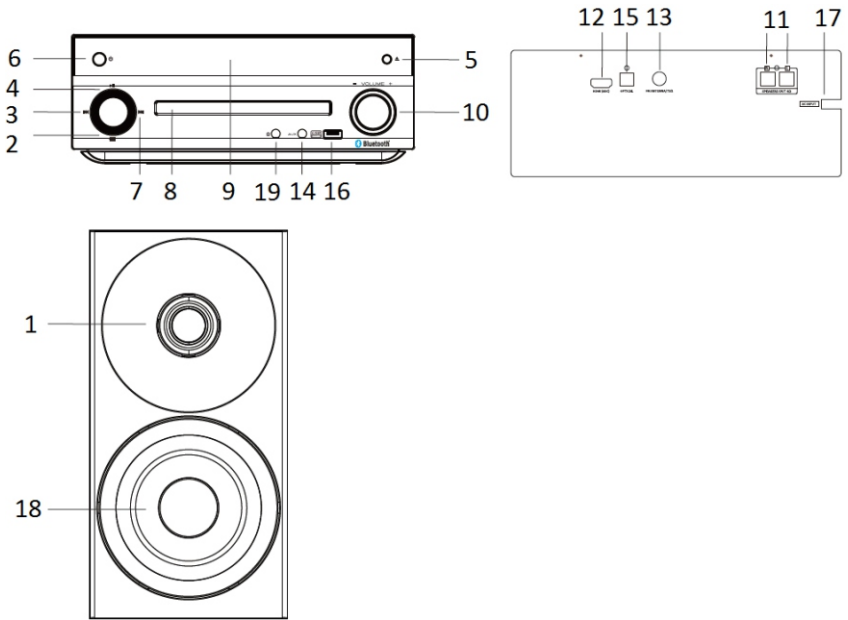
The Bluetooth® wordmark and logos are registered trademarks owned by Bluetooth SIG, Inc. and any use of such marks by us is under license. Other trademarks and trade names are those of their respective owners.

MS30.2BT/MS30.2BT EDITION



Many thanks to purchase our model, please read and reference this manual carefully before operate the unit. Please keep the manual for future operation reference.

Control locations



- 1—tweeter; 2—mode button; 3—previous button;
- 4—play/pause button; 5—eject button; 6—standby button;
- 7—next button; 8—CD door; 9—display; 10—volume knob;
- 11—speaker out terminal for speaker box connection(4 ohm);
- 12—HDM-ARC input port; 13—75ohm FM antenna socket;
- 14—AUX IN jack; 15—Optical input port; 16—USB port;
- 17—AC power input; 18—woofer; 19—headphone jack;

Remote control

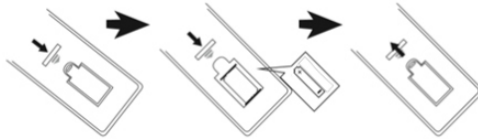
- 1—power on/off; 2—Digits button; 3—Source; 4—CD/USB;
- 5—Repeat(Repeat all, repeat one, repeat folder, repeat off); 6—Next;
- 7—Play; 8—Fast-rewind; 9—Previous; 10—Pause;
- 11—Channel +/-; 12—FM frequency +; 13—FM frequency -;
- 14—Introduce; 15—Program; 16—Eject; 17—10 +;
- 18—Goto; 19—Bluetooth; 20—Search for FM scanning;
- 21—A-B repeat; 22—Fast-forward; 23—Stop;
- 24—Clock/EQ((Music-Game-News-Movie)
- 25—Volume +/-; 26—Alarm/mute; 27—Treble +/-;
- 28—Bass +/-; 29—Loudness; 30—Random on / off;
- 31—Reset; 32—Memory;

Power and system setting

1. Insert the attached audio connector of speaker box into the speaker out terminal on back panel of main unit, and do the same for another speaker box connection.
2. Please check if the power source corresponds to the rating voltage spec which locates on the back panel of main unit. If it does not match, please consult to your dealer or service center.
3. Insert the attached AC power plug of main unit into the wall-mount socket, the display will light up and show clock time format after power available.
4. Remove the power plug can cut off the power completely for no using in long time.

Remote control battery installation

Open up the battery door and insert 2 x AAA battery(included) into the compartment; please make sure the polarity of battery will aim and correspond to the positive and negative engraved symbol in the compartment. Then close the battery door.



Notes:

- a. The best working distance of remote control is within 7 meters without any obstacle in between. Please aim to the remote control sensor locates on the left corner of display during operation.
- b. The sensitivity of remote control will become weak when the battery power exhausted. Please replace it with fresh one for operation.
- c. Please take out the battery in case of none-operation in a long time.
- d. Please dispose the battery in an environment friendly way. Please reference the local government requirement for the detail.

General operation

- 1. Power on/off and standby:** The display will light up when you connect it with AC power successfully; please remove the AC plug for complete power off. Press the power button on front panel or remote control for standby on and off switching.
- 2. Mute:** press the MUTE button on remote control to silence the sound output; press it again to resume the playing. You can also resume the playing by press the volume +/- button.
- 3. Play mode selection:** press the SOURCE button repeatedly to switch the play mode between CD/USB /FM radio/AUX IN/Bluetooth/HDMI/Optical. Press the CD/USB button from remote control to switch the CD and USB playback mode. Press mode button on front panel can achieve the same function.
- 4. Volume adjustment:** press the VOL +/- button from remote control or turn the volume knob on the front panel to increase or decrease the output volume.
- 5. Sound equalizer:** press the EQ button to switch the playing equalizer mode between Music-Game-News-Movie.
- 6. Treble & bass adjustment:** short press the treble +/- or bass +/- button repeatedly from remote control to adjust the treble and bass setting for output sound.
- 7. Digits 0 ~9 and 10+ button:** Key-in the relative digits and wait a while,, then the unit will skip up the relative track from current one. Press 10+ button can skip the playing track by increase 10 in case of over 10 tracks inside and get fast selection; The function is available in CD and USB playback mode.
- 8. Play, pause and stop:** In CD/USB/Bluetooth mode, press the play and pause button to pause or resume the playback; In CD and USB mode, press the stop button to stop the playback, and press play button for music playback resuming.
- 9. Previous and next, Fast-forward and fast-rewind:** short press previous/next button skip to last or next track for playing; Press and hold fast-forward / fast-rewind button from remote controller to fast-forward or fast-rewind current playing track, and resume to normal playing after release the button.
- 10. Repeat playback:** In CD and USB mode, press repeat button repeatedly for repeat one, repeat all, repeat folder and repeat off selection;
- 11. Random playback:** press random button for random and random off playback.
- 12. CD disc loading:** Press the eject button to open the CD door, and load a CD disc. Press it again to close the CD door.
- 13. Loudness:** short press the button to enhance the bass for sound output.
- 14. Headphone:** connect the earphone with earphone jack on front panel can mute the sound output from speaker box, but headphone side; adjust the volume properly to enjoy the music.
- 15. Repeat playback a specific track:** in CD/USB mode, short press the A-B button from remote control to select the start point of your expected repeat playback track, press it to select the end point; then the unit will repeat playback the specific track till you press the A-B button again to cancel and resume normal playing.
- 16. System reset:** in CD mode, open up the CD door(without close), long press the reset button 3 seconds to show "reset" on display, and the system will be reset.

CD playback operation

This product includes CD playback function which can play with CD disc under CD/CD-R-RW/MP3/WMA audio format (DVD not included). Before start the CD playback, please check if there have any dirty dot or scratch on the CD disc, otherwise the CD may cannot read out or create noise sound.

1. Press the source button repeatedly or CD/USB button to enter the CD mode.
2. Press the eject button to open the CD door, and load the CD disc ; press the eject button again to close the CD door. The unit will start to read and play the CD automatically.
3. Create your own playlist (max programmed 20 track for CD and MP3 disc, and up to 99 tracks for WMA/MP3 disc)
 - a. In CD playback mode, press the stop button first, then press program button to start the program operation.
 - b. The display will show "XXX PXX", press the previous/next button to select the track that you want to be programmed, and press the program button again to confirm.
 - c. Then the display will show the programmed track and skip to next program track setting. For example, "006 P01" means the number 6 track was programmed as the number 01 track.
 - d. Repeat the above step b and C to set up rest track till the display show " FULL".
 - e. Then press the play button to start the playing of programmed track.
 - f. To cancel and remove the programmed playlist, press the stop button twice, or eject the CD disc.
4. You can also achieve the play and pause, stop, mute, repeat and random, track selection, EQ, fast-forward and fast-rewind function, introduce etc. during CD playback. Please reference the general operation part on this manual.

FM radio operation

Before start the FM radio listening, please plug on the supplied FM antenna to the FM socket on rear panel or move the unit next to the window in order to get better FM reception.

1. **Auto scan and preset radio station:** Press the source button repeatedly to enter the FM radio mode; short press the search button from remote control or play/pause button (2 seconds) on front panel to scan and save the available radio station automatically. The unit can save up to 40 (max) preset stations. Short press the previous and next button from front panel of main unit, or press channel +/- or digits button from remote control to pick up the preset station.
2. **Manual tune or auto scan:** short press the FF +/- button to increase or decrease 0.1MHz frequency per step base on the current station; press and hold the FF +/- button, or previous/next button on front panel 2 seconds to auto scan the available FM station in upward or downward frequency, and will stop and play the available station automatically.
3. **Station memory manually:** when you tuned a favorite station by manual tune or auto scan which you desire to save; press the memory button from remote control first, then the preset station digits will flare on display, press the channel +/- button to switch the preset station location that you desire to save; Then press the memory button to confirm it; and the current FM station will be saved. Please repeat the operation to save other station.
4. **Go to a specific frequency station:** press the GOTO button from remote control first, then key-in the specific FM station frequency like 1-0-4-3 by digits button, then the unit skip to the frequency station and play.

Notes: the unit will show the available preset station only.

USB operation

The product includes USB playback function which can decode and play the music from a USB storage device. Before start the operation, please copy the MP3/WMA format music into a USB stick. The max supported USB stick device is up to 32 GB.

1. Before start the USB playback, please make sure the USB stick was plugged properly into the USB port. Then switch to USB playback mode by press the source or CD/USB button. Then the unit will decode and start to play the music automatically after few seconds.
2. In USB mode, you can achieve the play and pause, stop, mute, repeat, track selection, EQ, fast-forward and fast-rewind function etc. Please reference the operation from the general operation part on this manual.

Notes:

- a. Connect the USB stick by a USB extension cable for playback is not recommended which may produce noise or intermittent sound due to audio data loss during transfer.
- b. Decode and playback all MP3/WMA format music is not guaranteed.
- c. The max supported USB device is 32GB.
- d. Some USB sticks may take a little long time to playback; please kindly note this is not malfunction.

Bluetooth operation

This product includes Bluetooth function which can wireless playback the music from other Bluetooth device.

1. Press the source button repeatedly enter to Bluetooth mode, the display will show " BLUE-T" in Bluetooth mode. Enable the Bluetooth function and start to search available device on your Bluetooth device (please reference the device manual for operation), then check the available Bluetooth device list on your device.
2. Select " BP MS30.2BT" for pairing; the BLUE-T text will become stable on display after connect with Bluetooth device successful.
3. Select and play the music from your Bluetooth device, then the music will output from the micro system.
4. Press the previous/next button can select last and next track during playing.
5. In Bluetooth mode, you can achieve play/pause, mute, EQ etc. function. Please reference the operation from the general operation part on this manual.
6. Long press(3 seconds) play/pause button on front panel can disconnect the pairing with current Bluetooth device.

Notices:

- a. All Bluetooth devices are not guaranteed for pairing successfully due to different design and brand.
- b. The best working distance of Bluetooth is within 10 meters without any obstacle in between.
- c. The unit only can pair and work with one Bluetooth device in one time.

d. Please quit the current Bluetooth pairing before pair with other device, otherwise the "BP MS30.2BT" will not show on the device list.

Digital input operation

The unit includes optical and HDMI(ARC) digital input, which allows you to digital connect it with TV or other devices for audio playing.

Optical input: Using an optical cable(not include) connect the optical output port from TV or other device, and another terminal connect with micro system. Short press the mode button repeatedly to switch and enter to optical input mode. Check and adjust the volume level both on micro system and your TV device, select and play your desired enjoyable content, then you will get sound output from micro system.

HDMI(ARC): The micro system supports HDMI with ARC(audio return channel); if your TV is HDMI ARC compliant(please check your TV spec for detail), then you can enjoy the TV audio from micro system. Using a HDMI cable(not include) connect micro system and your TV, short press the mode button repeatedly to enter HDMI mode, or there will switch to HDMI mode automatically once your TV is turn on and connection successfully. Check and select the volume level, select and play the content from your TV, then you will get the sound output from micro system.

Important notes

- a. In digital input(optical and HDMI ARC) play mode, please set up audio output mode as "PCM stereo" or "stereo 2.0" on your TV(detail reference your TV's manual), otherwise, they probably no sound output
- b. Please make sure your TV includes and supports HDMI ARC. The TV may have several HDMI port, but please check and connect HDMI ARC output port properly, normally there will include HDMI ARC text next to the port (please check your TV manual or spec).
- c. When you select and buy HDMI cable for connection, please make sure the HDMI cable can support HDIM V1.3 and above, and it is 19-cores matching cable.
- d. In case of no sound or intermittent output, please double check above notes, and make sure there will have correct and proper connection between micro system and other device.
- e. In digital input play mode, you can achieve volume adjustment/EQ setting/mute function etc. from remote controller.

AUX IN/line in/MP3 link operation

In order to wire connection and playback the music from other player or source, please follow up below operation.

1. Using the supplied audio cable((3.5mm to 3.5mm stereo)) connect the AUX IN jack(3.5mm stereo type) on front panel of main unit, and the another 3.5mm stereo connector connect with line-out or headphone jack of outsourcing player. Then switch to AUX IN mode by pressing the source button.
2. Select the music and play on your player, then the sound will output from the micro system.
3. In AUX IN playback mode, the main control is on the outsourcing player side. But you also can control the volume, EQ and mute the sound on the micro system side.

Clock time and alarm (playback wake up and auto play) setting

The unit includes clock time and alarm setting which allows you to enjoy the entertainment base on a personal wake up time, and the music will start to play automatically when the setting time is coming on.

- 1. Clock setting:** in standby mode, press and hold the clock button few seconds from remote control to start the setting, and 24 hours time format will flare on display; press channel + / - button to select the 12/24 time format, and press the clock button again to confirm your selection; then the hour digits will flare on display; press channel + / -button to adjust the hour, and press the clock button again to confirm; then the minute digits will flare on display, press channel + / - button to adjust minute, then press clock button again to confirm and finish the clock setting.
- 2. Playback wake up (alarm) time setting:** in clock time interface, press and hold alarm button from remote control few seconds to start the setting, then the alarm time will show on display; press channel + / - button to adjust the desired alarm hours, and press the clock button again to confirm; then skip to do the rest setting for minute/alarm source(FM/CD/USB)/waking up volume, which is similar setting operation to alarm hours, press alarm button again to confirm and finish the selection.

Notes:

- a. The clock and alarm time setting is only available when the main power is remained. Please re-set up the setting in case of power interrupted.
- b. The "alarm icon" will show on display after the alarm time setting successfully. Short press the alarm button in standby mode can turn off the alarm setting, short press it again can review the alarm setting.
- c. When the alarm time is on, the unit will playback (CD/FM radio/USB) automatically, you can press the standby button to turn off the playback.

Trouble shooting**1. Cannot power on the unit**

- a. Please check if the AC power cord was connected wall outlet properly.
- b. Please contact with service center in case of the problem remains.

2.No sound output.

- a. Please try to adjust the volume.
- b. Please check if you selected the correct play mode.
- c. Please contact with service center in case of problem remains.

3.The CD disc cannot read out, or intermittent sound during playback.

- a. Please try to replace and play another one CD disc with CD/CD-R-RW/MP3/WMA format music.
- b. Please try to clean up the CD disc due to dirty dot or scratches.
- c. Please contact with service center in case of problem remains.

4.Background noise during FM playing.

- a. Please full extent the FM antenna, try to adjust the antenna direction.
- b. Please move the unit to next the window.
- c. Please switch to other station for listening.

5. Intermittent sound during Bluetooth playing.

- a. Please try to move your Bluetooth device more close to the unit.
- b. Please try turn off the Bluetooth function and repair it again.

6. The remote control does not work well.

- a. Please close and direct to the remote control sensor for operation.
- b. Please replace the battery with fresh one due to weakness battery power.

Specification

Power source: AC 110-240V, 50/60 Hz.

CD compatible: CD/CD-R-RW/MP3/WMA.

FM frequency: 87.5-108.0 MHz.

USB rating: 5V, 500mA, 2.0 versions, supported up to 32GB storage device.

Bluetooth: V5.0, within 10 meters for operation.

HDMI ARC V2.0 input , 1 x optical input.

RMS output power: 2 x 25W(subwoofer).

Power consumption: 60W total.

Standby power consumption: < 0.5W.

(Note: the above specification may revise without prior notice.)

Ważne instrukcje dotyczące bezpieczeństwa


PRZESTROGA

**ZAGROŻENIE PORAZENIEM ELEKTRYCZNYM
NIE OTWIERAĆ**

Przeostroga:

Aby zmniejszyć ryzyko porażenia prądem, nie wolno demontować pokrywy ani tylnej części urządzenia. Wewnątrz urządzenia nie znajdują się elementy przeznaczone do samodzielnej naprawy przez użytkownika. Konserwacją i naprawą sprzętu zajmują się wyłącznie wykwalifikowani pracownicy serwisu.

Objaśnienie symboli graficznych:



Symbol błyskawicy zakończonej strzałką umieszczonej w trójkącie równobocznym ostrzega użytkownika przed nieizolowanym, „niebezpiecznym napięciem” w obrębie obudowy urządzenia, które może osiągnąć wielkość grożąca porażeniem prądem elektrycznym.



Znak wykrzyknika w trójkącie równobocznym ostrzega użytkownika, że w tym momencie przedstawione są ważne informacje dotyczące obsługi i konserwacji sprzętu w dokumentacji, dołączonej do urządzenia.

Prosimy o przeczytanie tej instrukcji przed przystąpieniem do obsługi urządzenia, aby zapoznać się z jego funkcjami i wykorzystać je zgodnie z przeznaczeniem. Zapewni to długotrwałą, bezawaryjną obsługę urządzenia i przyjemność z użytkowania.

Ważne informacje

- Należy zachować instrukcję obsługi oraz informacje dotyczące bezpieczeństwa w celu wykorzystania ich w przyszłości.
- Nie należy dopuszczać do tego, aby na urządzenie kapala lub wylewała się ciecz. Nie wolno też używać go w wilgotnych miejscach, jak np. łazienka.
- Nie wolno instalować tego urządzenia w następujących miejscach:
 - Wystawionych na bezpośrednie działanie promieni słonecznych lub w pobliżu grzejników.
 - Kłaść go na wierzchu innego sprzętu stereofonicznego który wydziela ciepło.
 - Blokując wentylację lub w zapyłonym miejscu.
 - W miejscach narażonych na ciągłe drgania.
 - W miejscach o wysokiej wilgotności.
- Nie wolno stawiać urządzenia w pobliżu świec lub otwartego ognia.
- Urządzenia można używać wyłącznie w sposób opisany w niniejszej instrukcji.
- Przed pierwszym włączeniem zasilania należy upewnić się, że zasilacz został prawidłowo podłączony.
- Pamięć USB podłącza się bezpośrednio lub przy użyciu przedłużacza USB o długości do 25 cm

Ze względów bezpieczeństwa nie należy demontować obudów ani uzyskiwać dostępu do wnętrza urządzenia. Urządzenie powinno być naprawiane przez wykwalifikowany personel serwisu.

Nie wolno rozkręcać urządzenia ani otwierać jego obudowy, gdyż wewnątrz nie ma żadnych części, które mogłyby być naprawiane przez użytkownika. Konserwacją i naprawą sprzętu zajmują się wyłącznie wykwalifikowani pracownicy serwisu.

INSTRUKCJE DOTYCZĄCE BEZPIECZEŃSTWA

- Przeczytać instrukcję — przed korzystaniem z urządzenia należy przeczytać całość instrukcji obsługi oraz informacje o bezpieczeństwie.
- Zachować instrukcje — należy zachować instrukcje użytkowania i obsługi w celu wykorzystania ich w przyszłości.
- Przestrzegać ostrzeżeń — należy postępować zgodnie z wszystkimi ostrzeżeniami zamieszczonymi na urządzeniu oraz zgodnie z instrukcją obsługi.
- Przestrzegać instrukcji — należy postępować zgodnie z instrukcją obsługi oraz wskazówkami dla użytkownika.
- Instalacja — należy ustawić urządzenie zgodnie z instrukcjami producenta.
- Źródła zasilania – urządzenie powinno być zasilane wyłącznie ze źródeł o parametrach podanych na oznaczeniach na kablu zasilania. Jeżeli użytkownik nie jest pewien, jakiego rodzaju zasilaniem dysponuje w domu, powinien skontaktować się ze sprzedawcą urządzenia lub lokalnym dostawcą energii elektrycznej.
- Uziemienie lub polaryzacja zasilania — urządzenie nie musi być uziemione. Należy upewnić się, że wtyczka jest do końca włożona do gniazdka sieciowego lub przedłużacza, aby nie dopuścić do odślonienia bolców lub styków. Niektóre wersje urządzenia mogą być wyposażone w spolaryzowaną wtyczkę prądu przemiennego (z jednym bolcem szerszym). Tę wtyczkę można włożyć do gniazdka sieciowego tylko w jeden sposób. Jest to funkcja zabezpieczająca. Jeśli nie można włożyć wtyczki do gniazdka, należy spróbować ją odwrócić. Jeśli wtyczka nadal nie pasuje do gniazdka, należy zlecić elektrykowi jego wymianę. Nie wolno zdejmować z zabezpieczeń z wtyczki spolaryzowanej. Gdy korzysta się z przedłużacza lub kabla zasilania innego niż dostarczony razem z urządzeniem, powinny mieć właściwe wtyczki oraz atest bezpieczeństwa wymagany w danym kraju.
- Zabezpieczenie kabla zasilania — kable zasilania należy poprowadzić w taki sposób, aby nie można było po nich chodzić, przycisnąć lub przyciąć postawionymi przedmiotami. Zwrócić szczególną uwagę na wtyczki, gniazdka sieciowe i miejsca, w którym kable są wyprowadzone z urządzenia.
- Przeciążanie — nie wolno przeciążać gniazdek ściennych, przedłużaczy i rozdzielaczy elektrycznych, ponieważ grozi to wybuchem pożaru lub porażeniem prądem elektrycznym.
- Wentylacja — urządzenie musi być poprawnie wentylowane. Nie wolno ustawiać urządzenia na łóżku, sofie lub podobnych powierzchniach. Nie wolno przykrywać urządzenia obrusami, serwetkami, gazetami itd.

11. Ciepło — nie ustawiać urządzenia w pobliżu źródeł ciepła, takich jak grzejniki, promienniki, piece lub innych urządzeń (również wzmacniacze) wytwarzających ciepło. Nie stawiać na urządzeniu zapalonych świecy i innych źródeł otwartego ognia.
12. Woda i wilgoć — aby zmniejszyć zagrożenie pożarem lub porażeniem elektrycznym, nie wolno narażać urządzenia na bezpośrednie działanie deszczu, wody i wilgoci, jak np. w saunie czy w łazience. Nie używać niniejszego urządzenia w pobliżu wody, na przykład obok wanny, umywalki, zlewu kuchennego lub balii, w wilgotnej piwnicy lub w pobliżu basenu (lub w podobnych miejscach).
13. Przedmioty i ciecz w urządzeniu — nie należy wciskać jakichkolwiek przedmiotów przez otwory urządzenia, ponieważ mogą one zetknąć się z punktami niebezpiecznego napięcia i podziąć pożar lub porażenie prądem. Pod żadnym pozorem nie należy rozlewać jakichkolwiek cieczy na powierzchni urządzenia. Nie wolno kłaść na wierzchu urządzenia przedmiotów zawierających ciecz.
14. Czyszczenie — należy zawsze odłączyć urządzenie od gniazdka sieciowego przed czyszczeniem. Kurz dookoła głośnika można usunąć suchą szmatką. Jeśli do czyszczenia ma być użyty aerosol, nie należy kierować rozpylanego strumienia bezpośrednio na urządzenie, ale na szmatkę. Należy uważać, aby nie uszkodzić jednostek napędowych.
15. Wyposażenie dodatkowe — nie wolno używać akcesoriów, które nie są dopuszczone przez producenta, gdyż mogą stwarzać zagrożenie.
16. Akcesoria — nie wolno ustawiać urządzenia na niestabilnym wózku, stojaku, statywie, wsporniku czy stole. Urządzenie może ulec przewróceniu i uszkodzeniu oraz spowodować poważne obrażenia u dziecka lub osoby dorosłej. Należy używać wyłącznie wózków, stojaków, statywów, wsporników i stołów określonych przez producenta albo sprzedawanych wraz z urządzeniem. Montaż urządzenia należy przeprowadzać zgodnie z instrukcjami producenta, przy użyciu zestawu montażowego zalecanego przez producenta.
17. Przenoszenie urządzenia — urządzenie umieszczone na wózku należy przesuwać bardzo ostrożnie. Gwałtowne zatrzymanie, zbyt duża siła lub nierówne powierzchnie mogą spowodować przewrócenie wózka wraz z urządzeniem.
18. Okres nieużywania urządzenia — kabel zasilania urządzenia należy odłączyć od gniazdka sieciowego w trakcie burz z wyładowaniami atmosferycznymi lub gdy urządzenie nie będzie używane przez dłuższy czas.
19. Serwisowanie — nie należy próbować własnoręcznego przeglądania urządzenia. Otwieranie pokrywy może spowodować kontakt z niebezpiecznym napięciem i narazić użytkownika na inne niebezpieczeństwa. Konserwacją i naprawą sprzętu zajmują się wyłącznie wykwalifikowani pracownicy serwisu.
20. Gdy urządzenie nie jest używane, należy odłączyć jego wtyczkę zasilania od gniazdka sieciowego. Gdy urządzenie jest podłączone do źródła zasilania, znajduje się w trybie czuwania i nie jest całkowicie wyłączone.
21. Części zamienne — przy wymianie części należy sprawdzić, czy pracownik serwisu użył części zamiennych zalecanych przez producenta lub też czy części są identyczne jak część oryginalna. Dokonywanie wymiany na niezatwierdzone części grozi wybuchem pożaru, porażeniem prądem elektrycznym lub innymi niebezpieczeństwami.
22. Główne bezpieczniki — aby zabezpieczyć w sposób ciągły urządzenie przed pożarem, należy używać bezpieczników właściwego typu i parametrów. Parametry bezpieczników w danym zakresie napięcia są zaznaczone na urządzeniu.
23. Nie wolno zwiększać głośności przy słuchaniu części utworu o małej głośności lub przy braku wejściowego sygnału audio. W innym wypadku może dojść do uszkodzenia głośnika przy gwałtownym wzroście natężenia sygnału.
24. Jedynym sposobem całkowitego odłączenia urządzenia od źródła zasilania jest odłączenie kabla zasilania z gniazdka zasilania lub z urządzenia. Gniazdko sieciowe lub wejście kabla zasilania do urządzenia muszą być zawsze dostępne w trakcie używania produktu.
25. Urządzenie powinno się ustawić w pobliżu gniazdka sieciowego lub przedłużacza i w taki sposób, aby zawsze było dostępne.
26. Maksymalna temperatura otoczenia urządzenia wynosi 35°C.
27. Wskazówki dotyczące wyładowań elektrostatycznych — jeśli działanie urządzenia jest zakłócone wyładowaniami elektrostatycznymi, należy go wyłączyć i ponownie włączyć lub przenieść urządzenie w inne miejsce.
28. Bateria
 - a. Baterie nie mogą być narażone na działanie nadmiernego ciepła, jak np. promieni słonecznych, ognia itp. Podczas utylizacji baterii należy zwrócić uwagę na aspekty ochrony środowiska.
 - b. Przewaga dotycząca używania baterii: aby nie dopuścić do rozszczelnienia baterii, które może spowodować obrażenia ciała bądź uszkodzenie urządzenia:
 - Podczas wkładania baterii zwrócić uwagę na jej polaryzację (+ i -).
 - Nie wolno jednocześnie używać różnych baterii — starych i nowych baterii standardowych i alkalicznych itd.
 - Należy wyjąć baterie z urządzenia, gdy nie będzie ono używane przez dłuższy czas.

Uwaga dotycząca ERP2 (urządzeń związanych z energią)

Niniejsze urządzenie z ekoprojektem spełnia wymagania etapu 2 Rozporządzenia Komisji (WE) nr 1275/2008 wprowadzającego dyrektywę 2009/125/WE dotyczącą poboru energii przez wyłączone i znajdujące się w trybie czuwania urządzenia elektroniczne do zastosowań biurowych i domowych.

Po upłygnięciu 30 minut bez wejściowego sygnału audio urządzenie automatycznie przejdzie w tryb czuwania. Informacje na temat przywrócenia normalnego działania można znaleźć w instrukcji obsługi.

Ważne informacje:

Niniejsze urządzenie jest wyposażone w funkcję trybu oszczędzania energii: jeśli w ciągu 30 minut nie jest podawany do niego żaden sygnał wejściowy, urządzenie automatycznie przejdzie w tryb czuwania w celu oszczędzania energii (norma ERP 2). Należy zauważyć, że ustawienie niskiego poziomu głośności w źródle sygnału audio może zostać rozpoznane jako stan „braku sygnału audio”: może to mieć wpływ na zdolność wykrywania sygnału z urządzenia oraz spowodować automatycznie przejście w tryb czuwania. W takim wypadku należy przywrócić transmisję sygnału audio lub zwiększyć poziom głośności w źródle sygnału audio (odtwarzaczu MP3 itp.) w celu wznowienia odtwarzania. Jeśli problem nie ustąpi, prosimy o kontakt z lokalnym serwisem.

OSTRZEŻENIE

Urządzenie nie powinno być używane przez osoby (w tym dzieci) o obniżonej sprawności fizycznej, sensorycznej lub umysłowej oraz osoby z niewystarczającą wiedzą i doświadczeniem, jeśli nie znajdują się one pod nadzorem osoby odpowiedzialnej za ich bezpieczeństwo i nie zostały poinstruowane jak bezpiecznie używać urządzenia. Obecność osób dorosłych jest wymagana, jeśli urządzenie obsługują dzieci; pozwoli to zapewnić bezpieczne korzystanie z urządzenia.

1. Nie wolno pozostawić pracującego urządzenia bez nadzoru! Należy wyłączyć urządzenie, gdy nie jest ono używane, nawet przez krótką chwilę.
2. Urządzenia nie wolno obsługiwać za pośrednictwem zewnętrznego zegara z układem czasowym ani za pomocą oddzielnego układu ze zdalnym sterowaniem.
3. Aby uniknąć zagrożenia w przypadku uszkodzenia przewodu zasilania, wymianę powinien wykonać producent, autoryzowany punkt serwisowy lub inna osoba posiadająca odpowiednie kwalifikacje.
4. Przed przystąpieniem do obsługi urządzenia należy sprawdzić, czy jego napięcie odpowiada napięciu występującemu w lokalnej sieci zasilającej.
5. Nie wolno zakrywać otworów wentylacyjnych urządzenia np. gazetami, obrusem, zasłonami itp. Należy upewnić się, że nad urządzeniem jest co najmniej 20 cm wolnego miejsca, a z każdej jego strony — co najmniej 5 cm.
6. Nie należy dopuszczać do tego, aby na urządzenie kapąca lub wylewała się ciecz, ani nie należy stawiać na nim przedmiotów wypełnionych cieczami, takich jak wazony.
7. Aby uniknąć pożaru lub porażenia prądem elektrycznym, należy chronić urządzenie przed gorącymi miejscami, działaniami deszczu, wilgoci i pyłu.
8. Nie wolno ustawiać urządzenia w pobliżu jakichkolwiek źródeł wody, np. kranów, wanien, pralek lub basenów pływackich. Urządzenie należy ustawić na równym i stabilnym podłożu.
9. Nie wolno narażać urządzenia na silne pole magnetyczne.
10. Nie wolno stawiać urządzenia bezpośrednio na wzmacniaczu lub amplitunerze.
11. Nie wolno stawiać urządzenia w wilgotnym miejscu, gdyż wilgoć ma szkodliwy wpływ na podzespoły elektryczne.
12. Po wniesieniu urządzenia z zimnego do ciepłego miejsca lub do wilgotnego miejsca może dojść do kondensacji wilgoci na soczewce wewnątrz odtwarzacza. W takiej sytuacji urządzenie nie będzie działać prawidłowo. Należy pozostawić włączone urządzenie na około jedną godzinę, aby umożliwić odparowanie wilgoci.
13. Nie wolno czyścić urządzenia rozpuszczalnikami chemicznymi, gdyż mogą one zniszczyć lakier obudowy. Urządzenie wyciera się czystą, suchą lub nieznacznie zwilżoną ściereczką.
14. Podczas wyciągania wtyczki z gniazdka ściennego należy zawsze ciągnąć za wtyczkę, nigdy za kabel zasilania.
15. Gdy włączone urządzenie jest używane w pobliżu włączonego telewizora, może to być źródłem zakłóceń obrazu w postaci linii na ekranie. Należy to od pasma fal transmisji TV. Nie oznacza to nieprawidłowego działania urządzenia ani telewizora. Jeśli są widoczne takie linie, należy odsunąć urządzenie od telewizora.
16. Wtyczka sieciowa jest używana do odłączania napięcia zasilającego i powinna być zawsze dostępna.
17. Aby zachować głowicę laserową do odczytu płyt CD w czystości, nie wolno jej dotykać i zawsze zamykać kieszeń na płycie.
18. W trakcie odtwarzania płyta obraca się z dużą prędkością. NIE WOLNO podnosić ani przesuwac urządzenia podczas odtwarzania, gdyż może to być przyczyną uszkodzenia płyty lub samego urządzenia.
19. Przed przeniesieniem urządzenia w inne miejsce lub na czas przeprowadzki należy wyjąć płytę i zamknąć kieszeń na płycie. Następnie należy wyłączyć zasilanie i odłączyć kabel zasilania. Przenoszenie urządzenia z płytą w kieszeni może być przyczyną jego uszkodzenia.
20. Po odtworzeniu płyty należy umieścić w opakowaniu. Nie wolno wystawiać płyt na bezpośrednie działanie promieni słonecznych i źródła ciepła. Nie wolno zostawiać płyt wewnątrz samochodu zaparkowanego w pełnym słońcu.
21. Nie wolno dotykać strony płyt bez etykiety. Trzymać płyty za krawędź, aby nie pozostawić odcisków palców. Pył, odciski palców lub zadrapania płyt mogą być przyczyną niepoprawnego działania odtwarzacza. Nie wolno naklejać karteczek lub taśmy samoprzylepnej na płytę.
22. Do czyszczenia płyty używa się czystej, niepozostawiającej kłaczków ściereczki. Zaczyna się czyszczenie ruchem prostoliniowym od środka płyty do jej krawędzi, używając do tego celu powszechnie dostępnych środków czyszczących lub środków antystatycznych do płyt winylowych.
23. Aby nie doznać do ewentualnej utraty słuchu, nie wolno słuchać głośno muzyki przez dłuższy czas.



OSTRZEŻENIE: ŹRÓDŁO PROMIENIOWANIA

CLASS 1 LASER PRODUCT
LUOKAN 1 LASERLÄITE
KLASS 1 LASERAPPARAT

Ta etykieta oznacza, że wewnątrz urządzenia znajdują się podzespoły laserowe. Otwarcie pokrywy kieszeni na płyty CD i pominięcie blokad zabezpieczających naraża użytkownika na działanie promieniowania laserowego. Nie wolno patrzeć się na wiązkę lasera podczas pracy urządzenia.

PRZED ROZPOCZĘCIEM PRACY

Uwagi: dotyczące płyt kompaktowych.



Ponieważ zabrudzone, uszkodzone lub odkształcone płyty mogą być przyczyną uszkodzenia urządzenia, należy zwrócić uwagę na następujące elementy:

- Płyty kompaktowe, których można używać. Można używać tylko wskazanych poniżej płyt.
- Płyty CD wyłącznie z cyfrowym dźwiękiem audio.

UWAGA

Deklaracja



Niniejszym Blaupunkt Competence Center 2N-Everpol Sp. z o.o. oświadcza, że to urządzenie jest zgodne z wymogami i innymi odpowiednimi postanowieniami dyrektywy 2014/53 / UE. Pełną deklarację zgodności można uzyskać na stronie www.blaupunkt.com w zakładce produktu.

Podmiot odpowiedzialny: 2N-Everpol Sp. z o.o., Puławska 403A, 02-801 Warszawa, Polska, Telefon: +48 22 688 08 00, e-mail:

info@everpol.pl



Produkt został wwnrodukowany z wysokiej jakości materiałów i podzespołów, które można poddać recyklingowi i ponownie użyć.



Jeśli na urządzeniu znajduje się znak przekreślonego kosza na śmieci, oznacza to, że produkt jest objęty postanowieniami dyrektywy europejskiej 2012/19/EU. Na jej podstawie należy postępować zgodnie z lokalnymi przepisami i zapoznać się z wymaganiami dotyczącymi lokalnego systemu zbiórki odpadów elektrycznych i elektronicznych i w przypadku tego produktu, zastosować się do nich.

NIE WOLNO WYRZUCAĆ TEGO PRODUKTU RAZEM ZE ZWYKŁYMI ODPADAMI DOMOWYMI!

NINIEJSZY PRODUKT ZAWIERA NIEBEZPIECZNE: SUBSTANCJE, MIESZANINY I CZĘŚCI SKŁADOWE, KTÓRE ZUTYLIZOWANE W NIEDOZWOLONY SPOSÓB, MOGĄ BYĆ ŹRÓDŁEM POTENCJALNYCH SKUTKÓW DLA ŚRODOWISKA NATURALNEGO ORAZ ZDROWIA LUDZKIEGO!

Prawidłowe usunięcie zużytego produktu, zapobiegnie negatywnym skutkom dla środowiska naturalnego i zdrowia ludzkiego.



Urządzenie jest wyposażone w baterie objęte dyrektywą europejską 2006/66/EU. Baterii nie wolno wyrzucać razem z odpadami gospodarstwa domowego. Należy zapoznać się z lokalnymi przepisami dotyczącymi oddzielnej zbiórki baterii, ponieważ prawidłowa utylizacja zapobiegnie potencjalnym negatywnym skutkom dla środowiska naturalnego i zdrowia ludzkiego.

Informacje o ochronie środowiska naturalnego

Opakowanie zawiera tylko niezbędne elementy. Določono wszelkich starań, aby trzy materiały składowe opakowania były łatwe do oddzielenia: karton (pudełko), pianka polistyrenowa (zabezpieczenia wewnątrz) i polietylen (torebki, arkusz ochronny). Urządzenie wyprodukowano z materiałów, które można poddać recyklingowi i użyć ponownie po ich demontażu przez wyspecjalizowaną firmę. Należy przestrzegać lokalnych przepisów dotyczących utylizacji materiałów opakowaniowych, zużytych baterii i niepotrzebnych urządzeń.

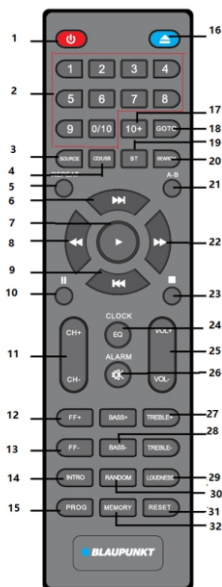
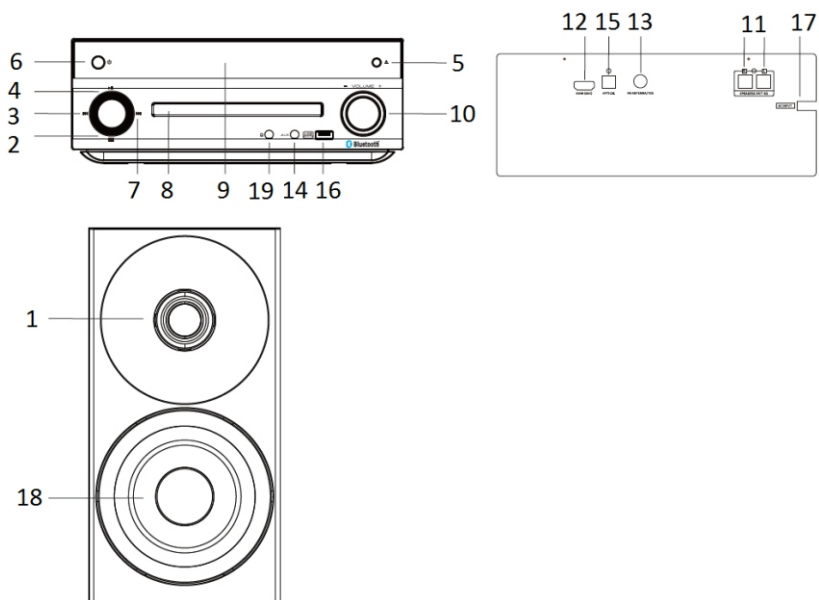
Nagrywanie i odtwarzanie materiałów może wymagać uzyskania zgody. Patrz ustawa o prawach autorskich i prawach wykonawców/artystów.



Właścicielem znaków towarowych i logo Bluetooth® jest firma Bluetooth SIG, Inc. USA. Użycie tych znaków i logo podlega licencji. Inne znaki i nazwy handlowe należą do odpowiednich właścicieli.

Dziękujemy za zakup naszego produktu, prosimy o uważne przeczytanie niniejszej instrukcji i zapoznanie się z nią przed rozpoczęciem użytkowania urządzenia. Zachowaj instrukcję do wykorzystania jej w przyszłości.

Lokalizacja elementów sterowania



- 1 - głośnik wysokotonowy; 2 - Wybór źródła; 3 - Przycisk „poprzedni”;
 4 - Przycisk odtwarzania/pauzy; 5 - Przycisk wysuwania tacki CD;
 6 - Przycisk zasilania; 7 - Przycisk „następny”; 8 - Tacka CD;
 9 - Wyświetlacz; 10 - Pokrętko głośności;
 11 - Gniazdo do podłączenia głośników (4 ohm); 12 - Wejście HDMI(ARC);
 13 - Gniazdo anteny FM 75 omów; 14 - Gniazdo AUX IN; 15 - Wejście optyczne;
 16 - Port USB; 17 - Wejście zasilania AC; 18---głośnik średnio-niskotonowy;
 19---wyjście słuchawkowe;

Pilot zdalnego sterowania

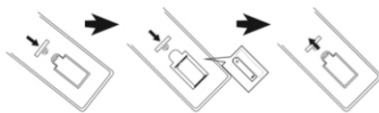
- 1—Włączanie/wyłączanie zasilania; 2—Przyciski numeryczne;
 3—Źródło; 4—Przycisk CD/USB;
 5—Powtarzanie (Powtarzanie całości, powtarzanie jednego utworu, powtarzanie folderu, powtarzanie wyłączone);
 6—Następny; 7—Odtwarzanie; 8—Szybkie przewijanie do tyłu;
 9—Poprzedni; 10—Pauza; 11—Kanał +/-;
 12—Częstotliwość FM +; 13—Częstotliwość FM -; 14—Przycisk funkcji intro;
 15—Programowanie; 16—Wysuwanie tacki CD; 17—10 +;
 18—Przycisk GOTO; 19—Bluetooth;
 20—Wyszukiwanie częstotliwości FM; 21—Powtarzanie fragment utworu A-B;
 22—Szybkie przewijanie do przodu; 23—Stop;
 24—Zegar/EQ (Music-Game-News-Movie) 25—Głośność +/-;
 26—Alarm/wyciszenie; 27—Regulacja sopranu +/-; 28—Regulacja basu +/-;
 29—Loudness; 30—Odtwarzanie losowe włączone / wyłączone;
 31—Reset; 32—Pamięć;

Podłączenie głośników i zasilania

1. Aby podłączyć głośniki do jednostki głównej, umieść wtyczkę, którą zakończony jest przewód głośnikowy, w gnieździe głośnikowym, dostępnym na tylnej ściance obudowy jednostki głównej. Podłącz lewy głośnik do gniazda oznaczonego literą L oraz prawy głośnik do gniazda oznaczonego literą R.
2. Sprawdź, czy źródło zasilania odpowiada specyfikacjom napięcia znamionowego, które znajdują się odpowiednio na tylnym panelu jednostki głównej. Jeśli nie pasuje, skontaktuj się ze sprzedawcą lub centrum serwisowym.
3. Podłącz przewód zasilający jednostki głównej do gniazda ściennego, po uzyskaniu zasilania wyświetlacz zaświeci się i wyświetli format czasu.
4. Gdy system nie jest używany przez dłuższy czas - odłącz przewody zasilające, aby całkowicie odciąć zasilanie.

Instalacja baterii pilota zdalnego sterowania

Otwórz drzwiczki komory baterii i włóż 2 baterie AAA (w zestawie); upewnij się, że polaryzacja baterii będzie odpowiadać dodatniemu i ujemnemu symbolowi wygrawerowanemu w komorze. Następnie zamknij drzwiczki komory baterii.



Uwagi:

- a. Odległość robocza pilota wynosi 7 metrów bez przeszkód pomiędzy pilotem a jednostką główną. Podczas pracy pilota należy kierować w czujnik znajdujący się w lewym rogu wyświetlacza.
- b. Czulość pilota zdalnego sterowania będzie słabła wraz z wyładowywaniem się baterii. Wymień je na nowe, aby pilot działał poprawnie.
- c. Proszę wyjąć baterie na wypadek braku używania pilota przez długi czas.
- d. Baterie należy zutylizować w sposób przyjazny dla środowiska. Proszę zapoznać się z wymaganiami władz lokalnych dotyczącymi utylizacji.

Obsługa ogólna

- 1. Włączanie / wyłączanie zasilania i tryb gotowości:** Wyświetlacz zaświeci się po pomyślnym podłączeniu urządzenia do źródła zasilania prądem zmiennym; proszę wyjąć wtyczkę AC, aby całkowicie wyłączyć zasilanie. Naciśnij przycisk zasilania na panelu przednim lub pilocie, aby włączyć i wyłączyć tryb gotowości.
- 2. Wyciszenie:** naciśnij przycisk MUTE na pilocie, aby wyciszyć dźwięk; naciśnij go ponownie, aby wznowić odtwarzanie. Możesz również wznowić odtwarzanie, naciskając przycisk głośności +/-.
- 3. Wybór trybu odtwarzania:** naciśnij kilkakrotnie przycisk SOURCE, aby przełączyć tryb odtwarzania między CD / USB/FM / AUX IN / Bluetooth/HDMI/Wejście optyczne. Naciśnij przycisk CD / USB na pilocie, aby przełączyć tryb odtwarzania CD i USB. Naciśnij przycisk wyboru źródła na panelu przednim, aby uzyskać te same funkcje.
- 4. Regulacja głośności:** naciśnij przycisk VOL +/- na pilocie lub obróć pokrętko głośności na przednim panelu, aby zwiększyć lub zmniejszyć głośność wyjściową.
- 5. Korektor dźwięku:** naciśnij przycisk EQ, aby przełączyć tryb equalizera grania pomiędzy Music-Game-News-Movie.
- 6. Regulacja tonów niskich i wysokich:** krótko naciśnij przycisk regulacji sopranu +/- lub basu +/- z pilota, aby wyregulować ustawienie tonów wysokich i niskich dla dźwięku wyjściowego.
- 7. Przyciski numeryczne 0 ~ 9 i przycisk 10+:** Wprowadź odpowiednie cyfry i poczekaj chwilę, a następnie urządzenie otworzy wybrany numer ścieżki. Naciśnięcie przycisku 10 + pozwala pomijać kolejne utwory o 10 ścieżek w przypadku nośnika, na którym nagranych jest więcej niż 10 utworów; Ta funkcja jest dostępna w trybie odtwarzania CD i USB.
- 8. Odtwarzanie, pauza i zatrzymanie:** W trybie CD / USB / Bluetooth naciśnij przycisk odtwarzania i pauzy, aby wstrzymać lub wznowić odtwarzanie; W trybie CD i USB naciśnij przycisk zatrzymania, aby zatrzymać odtwarzanie, naciśnij przycisk odtwarzania, aby wznowić odtwarzanie muzyki.
- 9. Poprzedni i następny, przewijanie do przodu i do tyłu:** krótkie naciśnięcie przycisku poprzedni / następny powoduje przejście do odtwarzania ostatniego lub następnego utworu; Naciśnij i przytrzymaj przycisk przewijania do przodu / do tyłu z pilota, aby szybko przewinąć do przodu lub do tyłu bieżący utwór i powrócić do normalnego odtwarzania po zwolnieniu przycisku.
- 10. Powtarzanie odtwarzania:** W trybie CD i USB wielokrotnie naciskaj przycisk powtarzania, aby powtórzyć jeden utwór, powtarzaj folder, powtórz całą zawartość nośnika lub wyłączyć powtarzanie;
- 11. Odtwarzanie losowe:** naciśnij przycisk odtwarzania losowego, aby włączyć lub wyłączyć odtworzyć losowe.
- 12. Wkładanie płyty CD:** Naciśnij przycisk wysuwania tacki CD, aby ją wysunąć. Połóż płytę CD i wsuń tackę.
- 13. Loudness:** naciśnij krótko przycisk, aby wzmocnić barwę dźwięku.
- 14. Słuchawki:** podłącz słuchawki do gniazda słuchawkowego znajdującego się na panelu przednim, po podłączeniu słuchawek, dźwięk w głośnikach zostanie wyciszony i będzie dostępny tylko w słuchawkach. Wyreguluj poziom głośności.
- 15. Powtórz odtwarzanie określonego fragmentu utworu:** w trybie CD / USB krótko naciśnij przycisk A-B na pilocie, aby wybrać punkt początkowy wybranego fragmentu utworu, naciśnij go ponownie, aby wybrać punkt końcowy; wtedy urządzenie

powtórzy odtwarzanie określonego fragment utworu do momentu ponownego naciśnięcia przycisku A-B, aby anulować i wznowić normalne odtwarzanie.

16. Reset systemu: w trybie CD wysuń tackę CD (bez zamykania), naciśnij i przytrzymaj przycisk resetowania przez 3 sekundy, aby wyświetlić „reset” na wyświetlaczu, a system zostanie zresetowany.

Odtwarzanie płyty CD

Ten model posiada funkcję odtwarzania płyt CD / CD-R-RW oraz plików muzycznych zapisanych w formatach audio MP3 / WMA (Płyty DVD nie są odtwarzane). Przed rozpoczęciem odtwarzania dysku CD, należy sprawdzić, czy nie ma żadnych brudnych kropek lub zadrapań na płycie CD, w przeciwnym razie urządzenie może nie odczytać płyty CD lub odtwarzaniu będą towarzyszyły nieporządane dźwięki.

1. Naciśnij kilkakrotnie przycisk wyboru źródła lub przycisk CD / USB na pilocie, aby przejść do odtwarzania CD.

2. Naciśnij przycisk wysuwania tacki CD, aby ją wysunąć. Połóż płytę CD i wsuń tackę. Urządzenie rozpocznie automatyczne odczytywanie i odtwarzanie płyty CD.

3. Utwórz własną listę odtwarzania (możliwość zaprogramowania maksymalnie 20 ścieżek dla płyt CD i do 99 ścieżek dla płyt WMA / MP3)

a. W trybie odtwarzania CD naciśnij najpierw przycisk stop, a następnie naciśnij przycisk programowania, aby rozpocząć tworzenie listy.

b. Na wyświetlaczu pojawi się napis, „XXX PXX”, naciśnij przycisk poprzedni / przycisk numeryczny, aby wybrać utwor, który chcesz zaprogramować, a następnie naciśnij przycisk programowania, aby potwierdzić.

c. Następnie wyświetlacz pokaże zaprogramowaną ścieżkę i przejdzie do ustwienia kolejnej ścieżki. Na przykład „006 P01” oznacza, że ścieżka numer 6 została zaprogramowana jako ścieżka numer 01.

d. Powtórz powyższe kroki b i c, aby ustawić pozostałe ścieżki, do momentu aż na wyświetlaczu pojawi się komunikat „FULL”.

e. Następnie naciśnij przycisk odtwarzania, aby rozpocząć odtwarzanie zaprogramowanej listy.

f. Aby anulować i usunąć zaprogramowaną listę odtwarzania, naciśnij przycisk zatrzymania dwukrotnie lub wyjmij płytę CD.

4. Podczas odtwarzania CD dostępne są funkcje: powtarzanie i pauza, stop, wyciszenie, powtarzanie losowe, wybór utworu, funkcja EQ, przewijanie do przodu i do tyłu, szybkie wybieranie za pomocą przycisków numerycznych itd.. Proszę zapoznać się z częścią dotyczącą obsługi ogólnej zawartej w niniejszej instrukcji.

Obsługa radia FM

Przed rozpoczęciem słuchania radia FM, proszę podłączyć dostarczoną antenę FM do gniazda FM na tylnym panelu lub przenieść urządzenie obok okna, aby uzyskać lepszy odbiór FM.

1. Automatyczne skanowanie i programowanie stacji radiowych: Naciśnij kilkakrotnie przycisk źródła, aby przejść do trybu radia FM; krótko naciśnij przycisk skanowania częstotliwości FM lub przycisk odtwarzania / pauzy (2 sekundy) na przednim panelu, aby automatycznie skanować i zapisywać dostępne stacje radiowe. Urządzenie może zapisać do (maks.) 40 stacji. Krótko naciśnij przycisk poprzedni/następny panelu przednim jednostki głównej,, lub naciśnij przycisk kanał +/- lub przycisk numeryczny na pilocie aby wybrać zaprogramowaną stację.

2. Ręczne dostrajanie lub automatyczne skanowanie: naciśnij krótko przycisk FF +/-, aby zwiększyć lub zmniejszyć częstotliwość o 0,1 MHz; naciśnij i przytrzymaj 2 sekundy przycisk FF +/- lub poprzedni / następny na przednim panelu, aby automatycznie zeskanować dostępną stację FM w górę lub w dół pasma, a następnie skanowanie zatrzyma się i automatycznie odtworzy dostępną stację.

3. Ręczne programowanie stacji: po ustawieniu ulubionej stacji przez ręczne dostrajanie lub automatyczne skanowanie, najpierw naciśnij przycisk pamięci na pilocie, a cyfry numeru pamięci stacji zaczną migać na wyświetlaczu, naciśnij przycisk przycisk kanał + / - , aby zmienić numer, pod którym chcesz zapisać wybraną stację. Następnie naciśnij przycisk pamięci, aby potwierdzić wybór; a aktualna stacja FM zostanie zapisana. Powtórz operację, aby zapisać inną stację.

4. Przejdź do konkretnej częstotliwości: najpierw naciśnij przycisk GOTO na pilocie, następnie wprowadź konkretną częstotliwość stacji FM jak 1-0-4-3 za pomocą przycisków numerycznych, a następnie przejdź do jej odtwarzania.

Obsługa USB

Produkt zawiera funkcję odtwarzania USB, która może dekodować i odtwarzać muzykę z wymiennych nośników USB. Przed rozpoczęciem operacji należy skopiować muzykę w formacie MP3 / WMA na pamięć USB. Maksymalna obsługiwana pamięć USB może mieć pojemność do 32 GB.

1. Przed uruchomieniem odtwarzania z USB upewnij się, że pamięć USB została prawidłowo podłączona do portu USB.

Następnie przejdź do trybu odtwarzania USB, naciskając przycisk wyboru źródła lub CD / USB na pilocie. Następnie urządzenie będzie dekodować i zaczyna odtwarzać muzykę automatycznie po kilku sekundach.

2. W trybie USB dostępne są następujące funkcje: odtwarzanie i pauza, zatrzymanie, wyciszenie, powtarzanie, korektor dźwięku, przewijanie do przodu i do tyłu itp. Proszę zapoznać się z częścią dotyczącą obsługi ogólnej zawartej w niniejszej instrukcji.

Uwagi:

a. Podłączanie pamięci USB za pomocą przedłużacza USB nie jest zalecane, ponieważ może powodować hałas lub przerywany dźwięk z powodu utraty danych audio podczas przesyłania.

b. Nie gwarantuje się dekodowanie i odtwarzania wszystkich plików MP3 / WMA.

c. Maksymalna pojemność nośników USB to 32 GB.

d. Dekodowanie i odtworzenie niektórych nośników USB może potrwać trochę dłużej; należy zwrócić uwagę, że nie jest to usterka.

Obsługa Bluetooth

Ten produkt posiada funkcję Bluetooth, dzięki której można bezprzewodowo odtwarzać muzykę z innego urządzenia Bluetooth.

1. Naciśnij kilkakrotnie przycisk wyboru źródła, aby przejść do trybu Bluetooth, na wyświetlaczu pojawi się komunikat „BLUE-T”.

Włącz funkcję Bluetooth w urządzeniu zewnętrznym i rozpocznij wyszukiwanie dostępnych urządzeń Bluetooth (zapoznaj się z instrukcją obsługi urządzenia zewnętrznego), a następnie sprawdź listę gotowych do sparowania urządzeń Bluetooth.

- Wybierz „BP MS30.2BT” do sparowania; po pomyślnym połączeniu z urządzeniem Bluetooth komunikat BLUE-T na wyświetlaczu przestanie migać.
- W zewnętrznym urządzeniu Bluetooth wybierz i odtwarzaj muzykę, a następnie dźwięk będzie odtwarzany za pomocą głośników niniejszego urządzenia
- Naciśnij przycisk poprzedni / następny, aby wybrać ostatnią lub następną ścieżkę podczas odtwarzania.
- W trybie Bluetooth dostępne są następujące funkcje: odtwarzanie / pauza, wyciszenie, korekcja dźwięku itp. Proszę zapoznać się z częścią dotyczącą obsługi ogólnej zawartej w niniejszej instrukcji.
- Długie naciśnięcie (3 sekundy) przycisku odtwarzania/pauzy na panelu przednim może rozłączyć parowanie z bieżącym urządzeniem Bluetooth.

Uwaga:

- Nie gwarantujemy się poprawnego sparowania ze wszystkimi urządzeniami Bluetooth ze względu na różne konstrukcje oraz producentów.
- Zakres działania Bluetooth wynosi 10 metrów bez przeszkód pomiędzy urządzeniami.
- Urządzenie może być sparowane i działać tylko z jednym urządzeniem Bluetooth.
- Rozłącz bieżące parowanie Bluetooth przed parowaniem z innym urządzeniem, w przeciwnym razie „BP MS30.2BT” nie pojawi się na liście urządzeń gotowych do sparowania.

Obsługa wejść cyfrowych

Niniejszy model posiada cyfrowe wejście optyczne i HDMI (ARC), które umożliwiają połączenie go z telewizorem lub innymi kompatybilnymi urządzeniami zewnętrznymi w celu odtwarzania dźwięku.

Wejście optyczne: Za pomocą przewodu optycznego (brak w zestawie) połącz port wyjściowy telewizora lub innego urządzenia, z wejściem optycznym wbudowanym w niniejszym modelu. Kilkakrotnie naciśnij przycisk wyboru źródła, aby przejść do trybu wejścia optycznego. Sprawdź i wyreguluj poziom głośności zarówno w niniejszym urządzeniu, jak i w telewizorze lub innym urządzeniu zewnętrznym, wybierz i odtwórz żądaną zawartość, a następnie dźwięk zostanie odtworzony za pomocą głośników niniejszego modelu.

Wejście HDMI (ARC): Niniejszy model obsługuje złącze HDMI z ARC (kanał zwrotny audio); Jeśli telewizor jest zgodny ze standardem HDMI ARC (proszę sprawdzić specyfikację telewizora, aby uzyskać szczegółowe informacje), możliwe jest odtwarzanie dźwięku z telewizora za pomocą głośników niniejszego modelu. Za pomocą przewodu HDMI (brak w zestawie) podłącz niniejsze urządzenie do telewizora, naciśnij kilkakrotnie przycisk wyboru źródła w niniejszym modelu, aby przejść do trybu HDMI, lub po pomyślnym połączeniu i włączeniu telewizora źródło automatycznie przełączy się na tryb HDMI. Wyreguluj poziom głośności, wybierz i odtwórz zawartość w telewizorze, a następnie dźwięk wybranego programu zostanie odtworzony za pomocą głośników niniejszego urządzenia.

Uwaga!

- W trybie odtwarzania sygnału z wejścia cyfrowego (optycznego i HDMI ARC), w telewizorze lub urządzeniu zewnętrznym należy ustawić wyjście sygnału audio jako „PCM stereo” lub „stereo 2.0” (szczegóły w instrukcji obsługi telewizora lub urządzenia zewnętrznego), w przeciwnym razie niniejsze urządzenie nie odtworzy dźwięku.
- Upewnij się, że Twój telewizor obsługuje złącze HDMI ARC. Telewizor może mieć kilka portów HDMI, dlatego sprawdź i podłącz prawidłowo port wyjściowy HDMI ARC, zwykle obok portu dostępną jest informacja, który port obsługuje HDMI ARC (proszę sprawdzić instrukcję obsługi telewizora lub jego specyfikację).
- Wybierając i kupując przewód HDMI do połączenia, upewnij się, że przewód ten obsługuje standard HDMI V1.3 i nowszy oraz jest to przewód 19-żyłowy.
- W przypadku braku dźwięku lub przerywanego sygnału wyjściowego, sprawdź dokładnie powyższe uwagi i upewnij się, że połączenie między mikroewieżą a innym urządzeniem jest prawidłowe.
- W trybie odtwarzania sygnału z wejścia cyfrowego dostępna jest regulacja głośności/ustawienie korektora/funkcja wyciszenia itp. za pomocą pilota zdalnego sterowania.

Obsługa trybu LINE IN (AUX IN)

Aby połączyć i odtwarzać muzykę z innego odtwarzacza lub źródła, wykonaj poniższe kroki:

- Za pomocą dostarczonego kabla audio (3.5mm do 3.5mm stereo) podłącz gniazdo AUX IN (typ 3.5mm stereo) na przednim panelu urządzenia głównego, a drugie złącze stereo 3,5 mm podłącz do wejścia liniowego lub gniazda słuchawkowego odtwarzacza zewnętrznego. Wybierz tryb AUX IN, naciskając przycisk źródła.
- Odtwórz muzykę na odtwarzaczu zewnętrznym, a dźwięk będzie odtwarzany za pomocą głośników niniejszego urządzenia.
- W trybie odtwarzania AUX IN główna kontrola znajduje się po stronie odtwarzacza zewnętrznego. W niniejszym urządzeniu można kontrolować głośność, korektor EQ i wyciszać dźwięk.

Ustawienia zegara i alarmu (budzenie odtwarzaniem i autoodtwarzanie)

Urządzenie posiada zegar oraz alarm, który pozwala na wykorzystanie mikroewież jako budzika, urządzenie zacznie odtwarzać muzykę automatycznie o ustawionej wcześniej godzinie.

- Ustawienie zegara:** w trybie uśpienia, Naciśnij i przytrzymaj kilka sekund przycisk „CLOCK” na pilocie, aby rozpocząć ustawianie zegara, wskazanie czasu zacznie migać na wyświetlaczu; naciśnij przycisk kanał + / -, aby wybrać format czasu 12/24 godziny, naciśnij przycisk „CLOCK” na pilocie, aby potwierdzić wybór; następnie cyfry godzin zaczynają migać na wyświetlaczu, naciśnij przycisk kanał + / -, aby ustawić prawidłową godzinę i naciśnij ponownie przycisk „CLOCK” w celu potwierdzenia wyboru; następnie cyfry minut zaczynają migać na wyświetlaczu, naciśnij przycisk kanał + / -, aby ustawić minuty i naciśnij przycisk „CLOCK” na pilocie w celu potwierdzenia wyboru i zakończenia ustawiania czasu.
- Ustawianie alarmu:** w trybie zegara naciśnij i przytrzymaj kilka sekund przycisk „ALARM” na pilocie zdalnego sterowania, aby rozpocząć ustawianie alarmu, następnie na wyświetlaczu pojawi się czas alarmu; naciśnij przycisk zmiany kanału + / -, aby ustawić żądaną godzinę alarmu a następnie naciśnij przycisk zegara, aby potwierdzić wybór; teraz przejdź do ustawiania

pozostałych parametrów: minut/źródła alarmu (FM/CD/USB)/głośności budzenia, co jest operacją podobną do ustawiania godzin alarmu. Naciśnij ponownie przycisk alarmu, aby potwierdzić i zakończyć wybór..

Uwaga:

- a. Ustawienia zegara i alarmu są dostępne tylko wtedy, gdy urządzenie jest podłączone do zasilania. Należy ponownie ustawić zegar i alarm po każdorazowym zaniku napięcia.
- b. Po poprawnym ustawieniu alarmu na wyświetlaczu pojawi się ikona alarmu. Krótkie naciśnięcie przycisku „ALARM” w trybie czuwania może wyłączyć ustawienie alarmu.
- c. Gdy alarm zostanie uruchomiony, urządzenie włączy odtwarzanie (CD/FM radio/USB) automatycznie, naciśnij przycisk zasilania, aby wyłączyć alarm.

Rozwiązywanie problemów

1. Nie można włączyć urządzenia

- a. Sprawdź, czy przewód zasilania sieciowego jest prawidłowo podłączony do gniazdka ściennego.
- b. Skontaktuj się z centrum serwisowym w przypadku wystąpienia problemu.

2. Brak dźwięku.

- a. Spróbuj wyregulować głośność.
- b. Sprawdź, czy wybrałeś prawidłowy tryb odtwarzania.
- c. W razie problemów należy skontaktować się z centrum serwisowym.

3. Nie można odtworzyć dysku CD.

- a. Spróbuj zastąpić i odtwarzać inną płytę CD z muzyką w formacie CD / CD-R-RW / MP3 / WMA.
- b. Spróbuj wyczyścić dysk CD.
- c. W razie problemów należy skontaktować się z centrum serwisowym.

4. Szum w trybie FM.

- a. Całkowicie rozwiń antenę FM, spróbuj dostosować kierunek anteny.
- b. Przenieś jednostkę blisko okna.
- c. Wybierz inną częstotliwość.

5. Przerwany dźwięk podczas odtwarzania Bluetooth.

- a. Spróbuj przenieść urządzenie Bluetooth bliżej niniejszego urządzenia.
- b. Spróbuj wyłączyć funkcję Bluetooth w urządzeniu zewnętrznym i włączyć ją ponownie.

6. Pilot zdalnego sterowania nie działa dobrze.

- a. Skieruj pilot na czujnik umieszczony po lewej stronie wyświetlacza.
- b. Wymień baterię na nową ze względu na niski poziom naładowania.

Specyfikacja

Źródło zasilania: AC 110-240 V, 50/60 Hz

Kompatybilny z CD: CD / CD-R-RW / MP3 / WMA

Częstotliwość FM: 87,5-108,0 MHz

Parametry USB: 5 V, 500 mA, wersja 2.0, obsługiwane urządzenia do 32 GB

Bluetooth: 5.0, odległość robocza do 10 metrów.

Wejście HDMI ARC V2.0, 1 x wejście optyczne.

Moc wyjściowa RMS: 2 x 25W

Zużycie energii: 60W total

Pobór mocy w trybie gotowości: <0,5W

(Uwaga: powyższa specyfikacja może ulec zmianie bez wcześniejszego powiadomienia.)

DŮLEŽITÉ BEZPEČNOSTNÍ POKYNY

**Upozornění:**

Chcete-li snížit riziko úrazu elektrickým proudem, neodstraňujte kryt nebo zadní část zařízení. Uvnitř nejsou žádné prvky určené pro opravu uživatelem. Údržbou a opravami zařízení se zabývá kvalifikovaný servisní personál.

Vysvětlení grafických symbolů:

Symbol blesku se šipkou umístěn v trojúhelníku upozorňuje uživatele na přítomnost neizolovaného "nebezpečného napětí" v prostoru krytu zařízení, které může dosáhnout velikost hrozcí nebezpečí úrazu elektrickým proudem.



Symbol vykřičníku uvnitř rovnostranného trojúhelníku upozorňuje uživatele, že v této části jsou popsány důležité informace týkající se provozu a údržby zařízení v dokumentaci dodané se zařízením.

Před použitím přístroje si přečtěte tento návod, abyste se seznámili s jeho funkcemi a využili je, jak bylo zamýšleno pro zajištění dlouhé životnosti, bezporuchového provozu zařízení a radosti s používáním.

Důležité informace

- Uchovejte tento návod a bezpečnostní informace pro jejich použití v budoucnu.
- Nedovolte, aby na přístroj kapala nebo se lila tekutina.
- Nepoužívejte ve vlhkých místech, jako např. koupelny.
- Neumísťujte tento přístroj na následujících místech:
- Vystavených přímému slunečnímu záření nebo blízko radiátorů.
- Na jiná stereofonní zařízení, která generují teplo.
- Blokovat větrání nebo umísťovat v prašném prostředí.
- V prostorech vystavených otřesům.
- V prostorech s vysokou vlhkostí.
- Neumísťujte zařízení v blízkosti otevřeného ohně nebo svíčky.
- Zařízení lze použít pouze tak, jak je popsáno v tomto návodu.
- Před prvním zapnutím se ujistěte, že napájení bylo řádně připojeno.
- USB paměť se připojuje přímo nebo přes prodlužovací USB kabel s délkou do 25 cm.

Z bezpečnostních důvodů neodstraňujte kryty a nesažte se dostat dovnitř zařízení. Přístroj by měl být opravován pouze kvalifikovaným servisním personálem. Nerozebírejte zařízení ani neotevírejte kryt, protože uvnitř nejsou žádné díly, které mohou být opraveny vlastními silami. Údržbou a opravami zařízení se zabývá výhradně kvalifikovaný servisní personál.

BEZPEČNOSTNÍ POKYNY

1. Přečtěte si pokyny - před použitím zařízení si přečtěte celý návod a bezpečnostní informace.
2. Tyto pokyny uschovejte - uschovejte návod k použití pro použití v budoucnu.
3. Dodržujte varování - dodržujte veškerá varování umístěná na zařízení a v souladu s pokyny.
4. Dodržujte pokyny - postupujte podle pokynů a návodů pro uživatele.
5. Instalace - nastavte zařízení podle pokynů výrobce.
6. Napájecí zdroj - tento produkt by měl být napájen pouze ze zdrojů uvedených na označení na napájecím kabelu. Pokud si nejste jisti, jaký typ napájení máte doma, měli byste se obrátit na svého prodejce nebo místního dodavatele elektrické energie.
7. Uzemnění nebo polarizace napájení - zařízení nemusí být uzemněno. Ujistěte se, že je zástrčka zcela zasunuta do zásuvky ve zdi nebo do prodlužovacího kabelu, aby se zabránilo odhalení kolíků a kontaktů. Některé verze zařízení mohou být vybaveny polarizovanou zástrčkou AC (s kolíkem). Tuto zástrčku lze zasunout do síťové zásuvky pouze jedním způsobem. Toto je bezpečnostní funkce. Pokud nelze vložit zástrčku do zásuvky, zkuste ji otočit. Pokud zástrčka stále nepasuje do zásuvky, požádejte elektrikáře, aby ji vyměnil. Neodstraňujte zabezpečení polarizované zástrčky. Pokud používáte prodlužovací kabel nebo kabel jiný než dodávaný s zařízením, měl/a byste mít odpovídající zástrčky a bezpečnostní osvědčení požadované ve vaší zemi.
8. Zajištění napájecího kabelu - napájecí kabely by měly být vedeny tak, aby nikdo po nich nešlapal, nestiskal a aby nedošlo k odřiznutí části zařízení předmety umístěnými vedle. Věnujte zvláštní pozornost zástrčkám, zásuvkám a místům vyznačujícím se tím, že kabely jsou vyvedeny ven ze zařízení.
9. Přetížení - Nepřetěžujte zásuvky ve zdi, prodlužovací šňůry a elektrické rozvaděče, může to mít za následek poruchu nebo úraz elektrickým proudem.
10. Větrání - Přístroj musí být řádně větran. Nepokládejte výrobek na postel, pohovku, nebo podobný povrch. Nezakrývejte zařízení ubrusy, ubrusky, novinami, atd.
11. Teplo - Neumísťujte zařízení blízko zdrojů tepla jako jsou radiátory, kamna nebo jiné přístroje (včetně zesilovačů), které produkují teplo. Nepokládejte na zařízení zapálené svíčky a jiné otevřené zdroje ohně.
12. Voda a vlhkost - aby se snížilo riziko poruchy nebo úrazu elektrickým proudem, nevystavujte přístroj působení deště, vody a vlhkosti, jako například v sauně, nebo v koupelně. Nepoužívejte toto zařízení v blízkosti vody, například u vany, umyvadla, kuchyňského dřezu nebo prádelní vany, ve vlhkém sklepě nebo v blízkosti bazénu (nebo na podobných místech).
13. Objekty a kapaliny v zařízení - Nevkládejte objekty přes otvory, protože mohou přijít do styku s body nebezpečného napětí a komponenty, které mohou způsobit poruchu nebo úraz elektrickým proudem. Tekutiny by za žádných okolností neměly vniknout na povrch přístroje. Nepokládejte žádné předměty obsahující kapaliny na horní část zařízení.

14. Čištění – před čištěním vždy odpojte přístroj od elektrické zásuvky. Prach kolem reproduktoru lze odstranit jen suchým hadříkem. Pokud je třeba použít čisticí sprej, nesměřujte postřik ne přímo na přístroj, ale na hadřík. Dávejte pozor, aby nedošlo k poškození pohonné jednotky
15. Přídavná zařízení - nepoužívejte příslušenství, která nejsou schválena výrobcem, protože mohou představovat hrozbu.
16. Příslušenství - neumísťujte přístroj na nestabilní vozík, stojan, stativ, držák nebo stůl. Přístroj může spadnout, poškodit se a způsobit vážné zranění dětem nebo dospělým. Použití pouze s vozíkem, stojanem, trojnožkou, držákem nebo stolem, stanoveným výrobcí nebo prodáváním se zařízením. Instalace zařízení by měla být provedena v souladu s pokyny výrobce, za použití montážních sad doporučených výrobcem.
17. Stěhování zařízení - zařízení umístěné na vozíku pohybujte velmi pečlivě. Rychlé zastavení, nadměrné použití síly a nerovné povrchy mohou způsobit převrácení vozíku se zařízením.
18. Období mimo provoz - napájecí šňůra musí být odpojena od zásuvky během bouřky nebo kdy přístroj není používán po dlouhou dobu.
19. Servis - Nepokoušejte se o vlastnoruční prohlídky zařízení. Otevření krytu může způsobit nebezpečné napětí a vystavit uživatele na nebezpečí. Údržbu a opravy zařízení se zabývá výhradně kvalifikovaný servisní personál.
20. Pokud nepoužíváte zařízení, odpojte napájecí kabel od zásuvky ve zdi. Pokud je zařízení připojeno ke zdroji napájení, je v pohotovostním režimu a není zcela vyloučeno.
21. Náhradní díly - při výměně dílů, zkontrolujte, zda zaměstnanec servisu použil náhradní díly specifikované výrobcem, nebo díly stejné jako původní. Výměna za neschválené díly hrozí poruchou, úrazem elektrickým proudem nebo jiným nebezpečím.
22. Hlavní pojistky - pro kontinuální zabezpečení zařízení před ohněm, použijte pojistky správného typu a parametrů. Parametry pojistky v rozsahu napětí jsou vyznačeny na přístroji.
23. Nezvyšujte hlasitost při poslechu skladby malé hlasitosti nebo v nepřítomnosti vstupního zvukového signálu. V opačném případě může dojít k poškození reproduktoru při rychlém zvýšení síly signálu.
24. Jediným způsobem, odpojení zařízení od zdroje elektrické energie je odpojení napájecího kabelu od elektrické zásuvky nebo od zařízení. Zásuvka nebo vstupní napájecí kabel k zařízení musí být vždy k dispozici při používání výrobku.
25. Zařízení by mělo být instalováno v blízkosti elektrické zásuvky nebo prodlužovačky a to takovým způsobem, aby bylo vždy k dispozici.
26. Maximální okolní teplota zařízení je 35 °C
27. Pokyny týkající se elektrostatických výbojů - v případě, že činnost zařízení je narušena elektrostatickými výboji, vypněte jej a opětovně zapnete nebo přemístíte přístroj do jiného místa.
28. Baterie
 - A. Baterie nesmí být vystaveny nadměrnému teplu, jako je sluneční záření, oheň atd.
 - B. Při likvidaci baterie, věnujte pozornost environmentálním aspektům.
 - C. Upozornění týkající se používání baterií: aby se zabránilo úniku baterie, což může mít za následek zranění nebo poškození zařízení:
 - Při vkládání baterií dbejte na správnou polaritu (+ a -).
 - Nepoužívejte různé baterie najednou - staré a nové baterie, standardní a alkalické apod.
 - Vyjměte baterie z přístroje, když není používán po delší dobu

Poznámka o ERP2 (zařízení související se spotřebou energie)

Toto zařízení s ekodesignem je v souladu s požadavky části 2 nařízení Komise (ES) 1275/2008 ke směrnici 2009/125/ES o spotřebě energie kterým se provádí směrnice Evropského parlamentu a Rady 2005/32/ES, pokud jde o požadavky na ekodesign z hlediska spotřeby elektrické energie elektrických a elektronických zařízení určených pro domácnosti a kanceláře v pohotovostním režimu a ve vypnutém stavu. Po uplynutí 15 minut bez vstupního audio signálu zařízení se automaticky přepne do pohotovostního režimu. Informace o obnovení normálního provozu lze nalézt v příručce.

Důležité informace:

Tento přístroj je vybaven režimem pro úsporu energie: pokud v rámci 15 minut nebude automaticky podán žádný vstupní signál, přístroj přejde do pohotovostního režimu, aby šetřil energii (ERP standard 2). Je třeba poznamenat, že nízké nastavení hlasitosti ve zdroji audio signálu může být rozpoznáno jako stav "bez zvuku", což může ovlivnit vaši schopnost detekování signálu ze zařízení a způsobit automaticky posun do pohotovostního režimu. V tomto případě, obnovte přenos zvuku a zvýšete hlasitost zdroje zvuku (MP3 přehrávač atd.), pro obnovení přehrávání. Pokud problém přetrvává, obraťte se na místní servisní středisko.

VAROVÁNÍ

Přístroj by neměl být používán osobami (včetně dětí) s fyzickým, smyslovým nebo mentálním postižením a osobami s nedostatečnými znalostmi a zkušenostmi, pokud nejsou pod dohledem osoby odpovědné za jejich bezpečnost a nebyly poučeny, jak bezpečně používat zařízení. Přítomnost dospělých je nutná v případě, že zařízení obsluhuje děti; to umožní zajištění bezpečného provozu zařízení.

1. Nikdy nenechávejte zařízení běžet bez dozoru! Vypněte zařízení, pokud jej nepoužíváte, a to i na krátkou dobu.
2. Neprovodujte přístroj přes externí časovač nebo samostatný systém dálkového ovládání.
3. Aby se zabránilo nebezpečí, v případě poškození napájecího kabelu výměnu by měl dělat výrobce, autorizovaný poskytovatel služeb nebo jiná osoba, mající příslušné kvalifikace.
4. Před použitím zařízení zkontrolujte, zda napětí odpovídá napětí vyskytujícímu se v místní síti.
5. Nezakrývejte větrací otvory novinami, ubrusy, záclonami, atd. Ujistěte se, že nad přístrojem je alespoň 20 cm volného prostoru, a z každé strany - nejméně 5 cm.
6. Nedovolte, aby na přístroj kapaly nebo se lily tekutiny a nepokládejte na něj předměty naplněné kapalinami, jako například vazy.

7. Aby nedošlo k poruše nebo k úrazu elektrickým proudem, nevystavujte zařízení na horká místa, na déšť, vlhkost a prach.
8. Nepokládejte zařízení do blízkosti zdrojů vody, jako jsou kouchoutky, vany, pračky nebo bazény. Umístěte zařízení na plochy stabilní povrch.
9. Nevystavujte silnému magnetickému poli.
10. Nepokládejte zařízení přímo na zesilovači nebo přijímači.
11. Nepokládejte přístroj na vlhká místa, protože vlhkost poškozuje elektrické součásti.
12. Přenos zařízení z chladného do teplého prostředí nebo do vlhkého prostoru může vést ke kondenzaci vlhkosti na čočce uvnitř přehrávače. V takové situaci, přístroj nebude pracovat správně. Nechte součásti v přístroji po dobu jedné hodiny pro odpařování vlhkosti.
13. Nečistěte zařízení chemickými rozpouštědly, protože mohou zničit lak skříně. Přístroj se čistí čistým, suchým nebo mírně vlhkým hadříkem.
14. Při odpojování ze zásuvky vždy tahejte za zástrčku, ne za kabel.
15. Když se zapnutý přístroj používá v blízkosti zapnutého televizoru, může být zdrojem narušení obrazu v podobě čar na obrazovce. Kvalita obrazu závisí na vlnovém pásmu TV vysílání. Tento jev neznamená poruchu zařízení nebo televizoru. Vidíte-li tyto čáry, umístěte přístroj do větší vzdálenosti od televizoru.
16. Síťová zástrčka se používá k odpojení napájení a měla by být vždy k dispozici.
17. Chcete-li zachovat laserovou hlavu pro čtení CD v čistotě, nedotýkejte ji a vždy zavřete zásuvku disku.
18. Během přehrávání se disk otáčí vysokou rychlostí. NEZVEDEJTE a nepohybujte zařízením během přehrávání, protože může to způsobit poškození disku nebo samotného zařízení.
19. Před přesunem přístroje na jiné místo nebo během stěhování vyjměte disk a zavřete zásuvku disku. Potom vypněte napájení a odpojte napájecí kabel. Stěhování zařízení s diskem v kapse může být příčinou poruchy.
20. Po přehrávání disk musí být umístěn v obalu. Nevystavujte disk přímému slunečnímu záření a zdrojům tepla. Nenechávejte desky uvnitř automobilu zaparkovaného na přímém slunci.
21. Nedotýkejte strany disku bez štítku. Držte disk za jeho okraje, nenechtejte otisky prstů. Prach, otisky prstů nebo škrábance na disku mohou způsobit poruchy přehrávače. Nepřipojujte poznámky nebo pásku na disk.
22. Pro čištění disku použijte čistý hadřík, který nepouští vlákna. Začněte čištění lineárně od centra na okraj disku, s použitím běžně dostupných čistících prostředků nebo antistatických prostředků na gramofonové desky.
23. Chcete-li zabránit možné ztrátě sluchu, neposlouchejte hudbu delší dobu nahlas.



VAROVÁNÍ: ZDROJ ZÁŘENÍ

CLASS 1 LASER PRODUCT
LUOKAN 1 LASERLAITE
KLASS 1 LASERAPPARAT

Toto označení znamená, že uvnitř zařízení jsou laserové komponenty. Otevření krytu kapsy CD a opomenutí bezpečnostních pojistek vystavuje na laserové záření. Nedívejte se do laserového paprsku během provozu.

PŘED UVEDENÍM DO PROVOZU

Poznámky: tykající se desek CD.

Špinavé, poškozené nebo deformované disky mohou způsobit poškození zařízení, dbejte na následující:

- A. Kompaktní disky, které můžete použít. Můžete použít pouze desky určené níže:
- B. CD pouze s digitálním audio zvukem



POZOR

Prohlášení o shodě

Blaupunkt Competence Center 2N-Everpol Sp. z o.o. tímto prohlašuje, že je toto zařízení v souladu se základními požadavky a dalšími příslušnými ustanoveními směrnice 2014/53/EU. Prohlášení o shodě lze získat ze stránky produktu na www.blaupunkt.com.

Odpovědná strana: 2N-Everpol Sp. z o.o., Puławska 403A, 02-801 Varšava, Polsko, Tel: +48 22 688 08 00, E-mail: info@everpol.pl.



Naše produkty jsou navrženy a vyrobeny z vysoce kvalitních materiálů a komponent, které jsou recyklovatelné a znovu použitelné.



Pokud je na vašem zařízení symbol přeškrtnutého kontejneru, znamená to, že se na produkt vztahují ustanovení evropské směrnice 2012/19/EU. Na základě toho prosím dodržujte místní předpisy a seznamte se s požadavky na místní systém sběru elektrického a elektronického odpadu a v případě tohoto produktu je dodržujte.

NEVYHAZUJTE TENTO VÝROBEK S DOMÁCÍM ODPADEM!

TENTO PRODUKT OBSAHUJE NEBEZPEČNÉ LÁTKY, SMĚSI A SLOŽKY, KTERÉ V PŘÍPADĚ NEAUTORIZACE MOHOU BÝT ZDROJEM POTENCIÁLNÍCH VLIVŮ NA PŘÍRODNÍ PROSTŘEDÍ A LIDSKÉ ZDRAVÍ!

Správnou likvidací použitého výrobku zabráníte negativním dopadům na životní prostředí a lidské zdraví.



Výrobek obsahuje baterie podléhající směrnici EU 2006/66/EC, které nelze vyhazovat do běžného domovního odpadu. Informujte se prosím o místních pravidlech o sběru baterií, neboť správnou likvidací pomůžete předcházet negativním důsledkům pro životní prostředí a lidské zdraví.

Informace týkající se životního prostředí

Výrobek je zabalen pouze v nezbytném obalu pro jeho ochranu. Snahou naší firmy je, aby byl obalový materiál snadno rozdělitelný na tři materiály: lepenku (krabice), polystyrén (ochranné balení) a polyethylen (sáčky, ochranné fólie z lehčeného plastu). Výrobek se skládá z materiálů, které lze recyklovat a znovu použít v případě demontáže odbornou firmou. Dodržujte prosím místní předpisy týkající se likvidace obalových materiálů, vybitých baterií a starého zařízení.

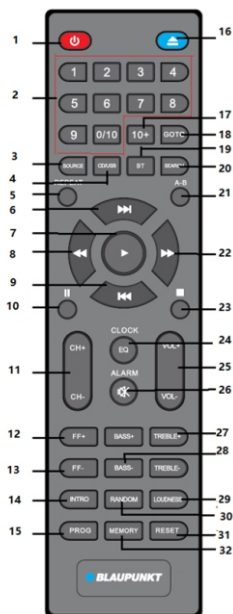
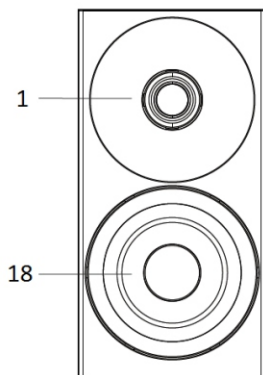
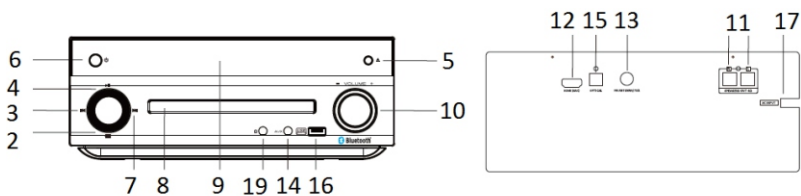
Na nahrávání a přehrávání materiálů může být vyžadován souhlas. Viz Zákon o Copyrightu Act 1956 a Zákon na ochranu umělců Sk 1958-1972.



Bluetooth® název i logo jsou registrované obchodní známky společnosti Bluetooth SIG, Inc. a její použití je zatížené licencí. Ostatní obchodní známky a jména jsou vlastněny jejich vlastníky.

Děkujeme, že jste si zakoupili náš výrobek. Před použitím přístroje si pečlivě přečtěte tuto příručku. Uchovejte si jí pro budoucí použití.

Umístění ovládacích prvků



- 1 - Výškový reproduktor; 2 - Výběr zdroje; 3 - Tlačítko „předchozí“;
- 4 - Tlačítko přehrávání/pauza; 5 - Tlačítko pro vysunutí jednotky CD;
- 6 - Tlačítko pohotovostního režimu; 7 - Tlačítko „další“; 8 - Jednotka CD;
- 9 - Displej; 10 - Otočný knoflík pro regulaci hlasitosti;
- 11 - zásuvka pro připojení reproduktorů (4 ohmy) ; 12 - Vstup HDMI(ARC);
- 13 - Konektor FM antény 75 Ω; 14 - Konektor AUX IN; 15 - Optický vstup;
- 16 - USB Port; 17 - Vstup napájení AC; 18---středobasový reproduktor;
- 19---sluchátkový výstup;

Dálkové ovládání

- 1—Zapnutí/vypnutí napájení; 2—Číselná tlačítka; 3—Zdroj;
- 4—Tlačítko CD/USB;
- 5—Opakování (Opakovat vše, opakovat jednu stopu, opakovat složku, opakování vypnuto); 6—Další; 7—Přehrávání;
- 8—Rychlé přetočení dozadu; 9—Předcházející; 10—Pause;
- 11—Kanál +/-; 12—Frekvence FM +; 13—Frekvence FM -;
- 14—Tlačítko funkce intro; 15—Programování;
- 16—Vysunutí CD mechaniky; 17—10 +; 18—Tlačítko GOTO;
- 19—Bluetooth; 20—Vyhledávání frekvence FM;
- 21—Opakování úseku stopy A-B; 22—Rychlé přetočení dopředu;
- 23—Stop; 24—Hodinky/EQ(Hudba-Hra-Zprávy-Film)
- 25—Hlasitost +/-; 26—Budík/ztišení;
- 27—Nastavení sopránu +/-; 28—Nastavení basu +/-;
- 29—Hlasitost; 30—Náhodné přehrávání zapnuto/vypnuto;
- 31—Reset; 32—Paměť;

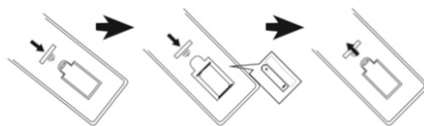
CZECH

Připojení reproduktorů a napájení

1. Pro připojení reproduktorů k hlavní jednotce zasuňte zástrčku, kterou je zakončen kabel reproduktoru, do zásuvky reproduktoru na zadním panelu krytu hlavní jednotky. Zapojte levý reproduktor do zásuvky označené L a pravý reproduktor do zásuvky označené R.
2. Zkontrolujte, zda zdroj napájení odpovídá specifikacím jmenovitého napětí, které jsou uvedeny na zadním panelu hlavní jednotky. Pokud údaj nesouhlasí, obraťte se na prodejce nebo servisní středisko.
3. Zapojte napájecí kabel hlavní jednotky do zásuvky ve zdi, po připojení napájení se displej rozsvítí a zobrazí se formát času.
4. Pokud systém delší dobu nepoužíváte, odpojte napájecí kabely a zcela napájení odpojte.

Instalace baterie do dálkového ovladače

Otevřete dvířka prostoru pro baterie a vložte 2 baterie AAA (je součástí balení); ujistěte se, že polarita baterie odpovídá kladným a záporným symbolům vyřtým pod ní. Potom zavřete dvířka prostoru pro baterie.



POZOR:

- a. Pracovní vzdálenost dálkového ovladače je 7 metrů bez překážek mezi dálkovým ovládáním a hlavní jednotkou. Při ovládání dálkový ovladač zaměřte na snímač umístěný v levém rohu displeje.
- b. Citlivost dálkového ovládání se snižuje při vybití baterie. Vyměňte ji za novou tak, aby dálkové ovládání fungovalo správně.
- c. Vyměňte baterii, pokud dálkový ovladač delší dobu nepoužíváte.
- d. Baterii zlikvidujte ekologickým způsobem. Přečtěte si prosím požadavky na likvidaci místních úřadů.

Obecná manipulace

1. **Zapnutí / vypnutí a pohotovostní režim:** Displej se rozsvítí, jakmile je zařízení připojeno ke zdroji střídavého proudu; prosím, vyjměte konektor AC pro úplné vypnutí napájení. Stisknutím tlačítka napájení na předním panelu nebo na dálkovém ovladači zapnete nebo vypnete pohotovostní režim.
2. **Ztlumění:** stisknutím tlačítka MUTE na dálkovém ovladači ztlumíte zvuk; znovu stiskněte tlačítko pro obnovení přehrávání. Přehrávání můžete také obnovit stisknutím tlačítka +/- na hlasitosti.
3. **Výběr režimu přehrávání:** opakovaným stisknutím tlačítka SOURCE přepnete režim přehrávání mezi CD / USB/FM / AUX IN / Bluetooth/HDMI/Optický vstup. Stisknutím tlačítka CD / USB na dálkovém ovladači přepnete režim přehrávání disků CD nebo USB. Pro stejné funkce stiskněte tlačítka volby zdroje na předním panelu.
4. **Ovládání hlasitosti:** Stiskněte tlačítko VOL +/- na dálkovém ovladači nebo otočte ovladačem hlasitosti na předním panelu pro zvýšení nebo snížení výstupní hlasitosti.
5. **Ekvalizér:** stisknutím tlačítka EQ přepnete režim přehrávání ekvalizéru mezi režimy (Hudba-Hra-Zprávy-Film).
6. **Nastavení basů a výšek:** pro seřízení vysokých a nízkých tónů zvuku na výstupu krátce stiskněte tlačítko nastavení sopránů +/- nebo basů +/- na ovladači.
7. **Číselná tlačítka 0 - 9 a tlačítko 10+:** Zadejte příslušná čísla a chvíli vyčkejte a poté přístroj přehraje vybrané číslo skladby. Stisknutím tlačítka 10 + můžete přeskočit stopy o 10 skladeb v případě média, kde je zaznamenáno více než 10 skladeb. Tato funkce je k dispozici v režimu přehrávání disků CD a USB.
8. **Přehrávání, pauza a zastavení:** V režimu CD / USB / Bluetooth stiskněte tlačítko přehrávání a pozastavení pro pozastavení nebo obnovení přehrávání; V režimu CD a USB stisknutím tlačítka stop zastavíte přehrávání a stisknutím tlačítka přehrávání obnovíte přehrávání hudby.
9. **Předchozí a následující, rychlé přetáčení dopředu a dozadu:** krátkým stisknutím tlačítka předchozí / následující přejedete na poslední nebo další přehrávání skladby; Stiskněte a přidržte tlačítko rychlého přetáčení dopředu / dozadu pro dálkového ovladače rychlé přetáčení dopředu nebo dozadu aktuální skladby a návrat k normálnímu přehrávání po uvolnění tlačítka.
10. **Opakované přehrávání:** V režimu CD a USB stiskněte tlačítko pro opakování jedné skladby, opakování všech skladeb, opakovat složku nebo vypnutí opakování;
11. **Náhodné přehrávání:** stisknutím tlačítka náhodného přehrávání zapnete nebo vypnete náhodné přehrávání skladeb.
12. **Vložení CD:** Stiskněte tlačítko pro otevření krytu disku CD, otevřete jej a vložte disk CD. Opětovným stisknutím zavřete kryt disku CD.
13. **Loudness:** krátkým stisknutím tlačítka zvýšíte úroveň zvuku.
14. **Sluchátka:** Sluchátka zapojte do sluchátkového konektoru umístěného na předním panelu, po připojení sluchátek se zvuk z reproduktorů ztlumí a bude dostupný pouze ze sluchátek. Upravte hlasitost.
15. **Opakované přehrávání vybraného úseku stopy:** v režimu CD/USB krátce stiskněte tlačítko A-B na ovladači pro výběr počátečního bodu přehrávání, dalším stisknutím tlačítka vyberete závěrečný bod úseku, jehož přehrávání chcete opakovat. Přehrávač zahájí opakované přehrávání vybraného úseku. Opakování ukončíte dalším stisknutím tlačítka A-B, přehrávač přejde do režimu normálního přehrávání.

16. Reset systému: v režimu CD vsuňte jednotku CD (bez zavírání), stiskněte a přidržte tlačítko reset po dobu 3 sekund, než se na displeji zobrazí „reset“, a systém se resetuje.

Přehrávání disku CD

Tento model má funkci přehrávání disků CD / CD-R-RW a hudebních souborů uložených ve formátech MP3 / WMA (disky DVD se nepřehrávají). Než začnete přehrávat disk CD, ujistěte se, že na disku CD nejsou žádné špinavé tečky nebo škrábance, jinak zařízení nebude schopno přečíst disk CD nebo bude přehrávání doprovázeno nežádoucími zvuky.

1. Stiskněte několikrát tlačítko výběru zdroje nebo stisknutím tlačítka CD / USB na dálkovém ovladači přepněte na přehrávání CD.
2. Stisknutím tlačítka otevření otevřete kryt disku CD a vložte disk CD; zavřete kryt CD. Přístroj automaticky přečte a přehraje CD.
3. Vytvořte vlastní seznam skladeb (můžete naprogramovat až 20 skladeb pro disky CD a až 99 skladeb pro disky WMA / Mp3)
 - a. V režimu přehrávání disků CD nejdříve stiskněte tlačítko zastavení a poté stiskněte programovací tlačítko a začnete vytvářet seznam.
 - b. Na displeji se zobrazí „XXX PXX“, stisknutím tlačítka předchozí / následující nebo číselné tlačítko, kterou chcete naprogramovat, a poté potvrďte stiskem programovacího tlačítka.
 - c. Dále se na displeji zobrazí přehrávaná cesta a pokračujte k nastavení další skladby. Například "006 P01" znamená, že číslo stopy 6 bylo naprogramováno jako číslo cesty 01.
 - d. Opakujte kroky b a c výše a nastavte zbývající skladby, dokud se na displeji neobjeví "FULL".
 - e. Poté stisknutím tlačítka přehrávání spustíte přehrávání naprogramované seznamu.
4. Pro zrušení a odstranění naprogramované seznamu skladeb znovu stiskněte tlačítko zastavení vyjměte disk CD.
5. V průběhu funkce přehrávání CD jsou k dispozici: opakování a pauza, stop, mute (ztlumení), opakování, náhodný výběr sklady, funkce EQ (ekvalizér), rychlý posun vpřed a vzad, rychlé vytáčení pomocí číselných tlačítek apod. Další informace naleznete v části o obecné manipulaci v této příručce.

Používání rádia FM

Před poslechem rádia FM rozšiřte přiloženou FM anténu připojte do konektoru FM antény na zadním panelu nebo přemístěte zařízení k blízkosti okna pro lepší příjem FM signálu.

1. **Automatické skenování a programování rozhlasových stanic:** Několikrát stiskněte zdrojové tlačítko pro vstup do režimu FM rádia; krátce stiskněte tlačítko skenování FM nebo tlačítko přehrávání / pauzy (2 vteřiny) na předním panelu pro automatické skenování a uložení dostupných rozhlasových stanic. Zařízení může uložit až (max.) 40 stanic. Krátkým stisknutím tlačítka předchozí / následující na dálkovém ovladači nebo stiskněte tlačítko kanál +/- nebo číselné tlačítko na ovladači na předním panelu hlavní jednotky vyberte přednastavenou stanicí.
2. **Manuální ladění:** krátkým stisknutím tlačítka FF +/- zvýšíte nebo snížíte frekvenci o 0,1 MHz; stisknutím a podržením tlačítka FF +/- nebo předchozí / další na předním panelu po dobu 2 sekund, začne automaticky vyhledávat dostupné stanice FM nahoru nebo dolů v pásmu, pak se skenování zastaví a automaticky přehraje dostupnou stanicí.
3. **Ruční programování stanic:** pokud nastavíte svou oblíbenou stanicí pomocí manuálního ladění nebo automatického skenování, nejdříve stiskněte tlačítko na paměti dálkového ovládání a jednotlivé čísla stanic se začnou objevovat na displeji, stiskněte tlačítko tlačítko kanál +/- a změňte číslo, vyberte číslo, na které chcete uložit stanicí, potom potvrďte volbu stisknutím paměťového tlačítka; a aktuální stanice FM bude uložena. Opakujte operaci, chcete-li uložit jinou stanicí.
4. **Přepnutí na konkrétní frekvenci:** nejprve stiskněte tlačítko GOTO na ovladači, poté pomocí číselných tlačítek zadejte požadovanou frekvenci FM stanice, např. 1-0-4-3 a přejděte k jejímu přehrávání.

Používání USB

Produkt obsahuje funkce pro přehrávání USB, kterými lze dekodovat a přehrávat hudbu z USB vyměnitelného média. Než začnete, budete muset kopírovat hudbu ve formátu MP3 / WMA na USB paměť. Maximální podporovaná paměťová karta může mít kapacitu až 32 GB.

1. Před spuštěním přehrávání z USB, ujistěte se, že USB flash disk byl správně připojen k portu USB. Poté přejděte do režimu přehrávání USB, stisknutím tlačítka pro výběr zdroje nebo CD / USB na dálkovém ovladači. Poté se po několika vteřinách automaticky spustí přehrávání jednotlivých skladeb.
2. V režimu USB, následující funkce: přehrávání a pauza, stop, mute, opakování, ekvalizér, rychlý posun vpřed a vzad, atd. naleznete v sekci pro všeobecné použití obsažených v tomto návodu k obsluze.

Poznámky:

- a. K připojení USB disku nepoužívejte prodlužovací kabel, protože to může způsobit šum nebo přerušovaný zvuk ze ztráty zvukových dat během přenosu.
- b. Nezaručujeme přehrávání všech skladeb MP3 / WMA z důvodu chybného dekodování jednotlivých skladeb.
- c. Maximální úložná kapacita USB je 32 GB.
- d. Dekodování a obnovování některých USB zařízení může trvat trochu déle; je třeba mít na paměti, že se nejedná o závadu.

Používání bluetooth

Tento produkt má funkci bluetooth, která vám umožňuje bezdrátově přehrávat hudbu z jiného zařízení bluetooth.

1. Stiskněte několikrát tlačítko výběru zdroje pro vstup do režimu bluetooth, na displeji se zobrazí "BLUE-T". Zapněte funkci bluetooth na externím zařízení a spusťte vyhledávání dostupných zařízení bluetooth (viz příručka externího zařízení) a zkontrolujte seznam připravených zařízení bluetooth.
2. Pro spárování zvolte „BP MS30.2BT“; po připojení k zařízení Bluetooth přestane komunikát BLUE-T na displeji blikat.
3. Na externím zařízení bluetooth vyberte a přehrajte hudbu a pak se zvuk přehraje prostřednictvím reproduktorů tohoto zařízení

4. Stisknutím tlačítka předchozí / následující vyberte během přehrávání poslední nebo následující skladbu.
 5. V režimu bluetooth jsou k dispozici následující funkce: přehrávání / pauza, ztlumení zvuku, korekce zvuku atd. Vž část všeobecné služby v této příručce.
 6. Dlouhým stisknutím (3 sekundy) tlačítka přehrávání/pozastavení na předním panelu můžete odpojit párování s aktuálním zařízením Bluetooth.
- POZOR:**
- a. Není zaručeno správné spárování se všemi zařízeními bluetooth kvůli různým návrhům a výrobcům.
 - b. Provozní dosah bluetooth je 10 metrů bez jakýchkoliv překážek mezi zařízeními.
 - c. Zařízení lze spárovat a pracovat pouze s jedním zařízením bluetooth.
 - d. Před spárováním s jiným zařízením odpojte současné párování bluetooth, jinak se "BP MS30.2BT" nezobrazí v seznamu zařízení připravených k párování.

Podpora digitálních vstupů

Tento model má digitální optický vstup a vstup HDMI(ARC), uvedené vstupy umožňují připojení k televizoru nebo jiným kompatibilním externím zařízením pro přehrávání zvuku.

Optický vstup: Optickým kabelem (není součástí dodávky) připojte výstupní port televizoru nebo jiného zařízení k optickému vstupu zabudovanému v tomto modelu. Pro přepnutí do režimu optického vstupu stiskněte několikrát tlačítko volby zdroje. Zkontrolujte a nastavte hlasitost na tomto přístroji, na televizoru nebo na jiném externím zařízení, zvolte a přehrajte požadovaný obsah, zvuk bude přehráván prostřednictvím tohoto modelu.

Vstup HDMI(ARC): Tento model podporuje HDMI s ARC (zpětný zvukový kanál); Pokud je Váš televizor kompatibilní se standardem HDMI ARC (potřebné informace naleznete ve specifikaci televizoru), je možné přehrávat zvuk z televizoru přes reproduktory tohoto modelu. Kabelem HDMI (není součástí dodávky) připojte tento přístroj k televizoru, opakovaným stisknutím tlačítka výběru zdroje na tomto modelu přepněte do režimu HDMI, nebo se zdroj po úspěšném připojení a zapnutí televizoru automaticky přepne do režimu HDMI. Nastavte hlasitost, zvolte a přehrajte obsah na televizoru, potom se zvuk zvoleného programu přehraje přes reproduktory tohoto zařízení.

Pozor!

- a. V režimu přehrávání digitálního vstupu (optický a HDMI ARC) musí být zvukový výstup na televizoru nebo externím zařízení nastaven na „PCM stereo“ nebo „stereo 2.0“ (detaily naleznete v uživatelské příručce televizoru nebo externího zařízení), v opačném případě tento přístroj zvuk nebude přehrávat.
- b. Zkontrolujte, zda Váš televizor podporuje vstup HDMI ARC. Váš televizor může mít několik portů HDMI, proto zkontrolujte, zda máte výstupní port HDMI ARC správně připojený, vedle portu jsou obvykle k dispozici informace o tom, který port podporuje HDMI ARC (podívejte se do příručky nebo specifikace televizoru).
- c. Při výběru a nákupu kabelu HDMI pro připojení zkontrolujte, zda kabel podporuje standard HDMI V1.3 a vyšší a že se jedná o 19žilový kabel.
- d. Pokud neslyšíte žádný zvuk nebo je zvuk přerušovaný, pečlivě zkontrolujte výše uvedené poznámky a zkontrolujte, zda je spojení mezi mikrofonem a jiným zařízením správné.
- e. V režimu přehrávání digitálního vstupu je přes dálkový ovladač k dispozici ovládání hlasitosti/nastavení ekvalizéru/funkce ztlumení atd.

Práce s režimem LINE IN(AUX IN)

Chcete-li připojit a přehrávat hudbu z jiného přehrávače nebo zdroje, postupujte takto:

1. Pomocí dodaného audio kabelu (3.5mm až 3.5mm stereo) připojte konektor AUX IN (typ 3.5mm stereo) na přední panelu hlavní jednotky a druhý 3,5 mm stereo konektor připojte ke konektoru vstupu zdířky nebo sluchátka externího přehrávače. Zvolte režim AUX IN stisknutím tlačítka zdroje.
2. Přehrajte hudbu na externím přehrávači a zvuk se bude přehrávat prostřednictvím reproduktorů tohoto přístroje.
3. V režimu přehrávání AUX IN se hlavní ovládací prvek nachází na boční straně externího přehrávače. Můžete nastavit hlasitost, ekvalizér EQ a ztlumit hlasitost na tomto přístroji.

Nastavení hodin a budíku (nastavení buzení hudbou a automatického přehrávání)

Přístroj je vybaven hodinami a budíkem, které je možné nastavit tak, abyste byli vzbuzeni v nastavenou dobu prostřednictvím automatického přehrávání hudby.

- 1. Nastavení hodin:** V pohotovostním režimu, postup nastavení zahájíte stisknutím a přidržením tlačítka Clock (Hodiny) na několik sekund na dálkovém ovladači. Na displeji začne blikat 24hodinový formát nastavení času. Pomocí tlačítka kanál + / - vyberte 12/24hodinový formát času a výběr potvrďte opětovným stisknutím tlačítka Clock (Hodiny). Na displeji začne blikat nastavení hodin. Pomocí tlačítka kanál + / - nastavte hodinu a potvrďte ji stisknutím tlačítka Clock (Hodiny). Poté na displeji začne blikat nastavení minut. Pomocí tlačítka kanál + / - nastavte minuty a potvrďte je stisknutím tlačítka Clock (Hodiny). Dalším stisknutím tlačítka Clock (Hodiny) nastavení času uložíte.
- 2. Nastavení budíku při buzení přehráváním hudby:** V rozhraní času stiskněte a na několik sekund přidržte tlačítko Alarm (Budík) na dálkovém ovladači. potom se na displeji zobrazí čas budíku; stisknutím tlačítka pro změnu kanálu + / - nastavte požadovaný čas buzení a potom stisknutím tlačítka hodin výběr potvrďte; nyní přejděte k nastavení zbyvajících parametrů: minuty/zdroj budíku (FM/CD/USB)/hlasitost buzení, což je operace podobná nastavení časů budíku. Opětovným stisknutím tlačítka budíku volbu potvrďte a dokončíte výběr.

Poznámky:

- a. Nastavení hodin a budíku je možné provádět pouze tehdy, když je k dispozici napájení ze sítě. Dojde-li k výpadku síťového napájení, nastavení budíku zopakuje.
- b. Po novém nastavení budíku se na displeji zobrazí ikona budíku. Krátkým stisknutím tlačítka „ALARM“ v pohotovostním režimu můžete nastavení alarmu vypnout.
- c. Když nastane čas buzení, přístroj začne automaticky přehrávat (CD/FM/rádio/USB) budíku vlynete stisknutím tlačítka napájení.

Odstraňování problémů**1. Zařízení nelze zapnout**

- Zkontrolujte, zda je napájecí šňůra správně připojena do elektrické zásuvky.
- V případě problému se obraťte na servisní středisko.

2. Žádný zvuk.

- Zkuste nastavit hlasitost.
- Zkontrolujte, zda jste zvolili správný režim přehrávání.
- V případě problémů se obraťte na servisní středisko.

3. CD nelze přehrát.

- Zkuste vyměnit a přehrát další hudební disk CD ve formátu CD / CD-R-RW / MP3 / WMA.
- Pokuste se vyčistit disk CD.
- V případě problémů se obraťte na servisní středisko.

4. Hluk v režimu FM.

- Zcela rozšířte anténu FM, zkuste nastavit směr antény.
- Přesuňte jednotku poblíž okna.
- Vyberte jinou frekvenci.

5. Nevhodný zvuk během přehrávání bluetooth.

- Pokuste se přesunout zařízení bluetooth blíže k tomuto zařízení.
- Pokuste se vypnout funkci bluetooth na externím zařízení a znovu jej zapnout.

6. Dálkový ovladač nefunguje správně.

- Nasměrujte dálkový ovladač na čidlo umístěné na levé straně displeje.
- Vyměňte baterii za novou baterii kvůli vybití.

Specifikace

Zdroj napájení: AC 110-240 V, 50/60 Hz

Kompatibilní s disky CD: CD / CD-R-RW / MP3 / WMA

FM frekvence: 87,5-108,0 MHz

Parametry rozhraní USB: 5 V, 500 mA, verze 2.0, podporovaná zařízení až do 32 GB

Bluetooth: 5,0, pracovní vzdálenost do 10 metrů.

Vstup HDMI ARC V2.0, 1 x optický vstup.

Výstupní výkon RMS: 2 x 25W

Spotřeba energie: celkem 60 W

Spotřeba energie v pohotovostním režimu: <0,5W

(Poznámka: výše uvedené technické údaje mohou být změněny bez upozornění.)

DŮLEŽITÉ BEZPEČNOSTNÉ POKYNY**UPOZORNENIE**

Nebezpečenstvo úrazu elektrickým prúdom
NEOTVÁRAŤ

Upozornenie:

Ak chcete znížiť riziko úrazu elektrickým prúdom, neodstraňujte kryt alebo zadnú časť zariadenia. Vnútri nie sú žiadne prvky určené na opravu používateľom. Údržbou a opravami zariadení sa zaoberá len kvalifikovaný servisný personál.

Vysvetlenie grafických symbolov:

Symbol blesku so šípkou umiestnený v trojuholníku upozorňuje užívateľa na prítomnosť neizolovaného "nebezpečného napätia" v priestore krytu zariadenia, ktoré môže dosiahnuť veľkosť hrozivcu nebezpečenstvo úrazu elektrickým prúdom.



Výkričník vo vnútri rovnostranného trojuholníka upozorňuje užívateľa, že v tejto časti sú popísané dôležité informácie týkajúce sa prevádzky a údržby zariadení v dokumentácii dodanej so zariadením.

Pred použitím prístroja si prečítajte tento návod, aby ste sa oboznámili s jeho funkciami a využili je, ako bolo zamýšľané pri zaistení dlhjej životnosťou, bezporuchovej prevádzky zariadenia a radosti s použitia.

Dôležité informácie

- Uschovajte tento návod a bezpečnostné informácie pre ich použitie v budúcnosti.
- Nedovoľte, aby na prístroj kvapkala alebo sa lila tekutina.
- Nepoužívajte vo vlhkých miestach, ako napr kúpeľne.
- Neumiestňujte tento prístroj na nasledujúcich miestach:
- Vystavených priamemu slnečnému žiareniu alebo blízko radiátorov.
- Na iné stereofónne zariadenie, ktoré generujú teplo.
- Blokovať vetranie alebo umiestňovať v prašnom prostredí.
- V priestoroch vystavených otrasom.
- V priestoroch s vysokou vlhkosťou.
- Neumiestňujte zariadenie v blízkosti otvoreného ohňa alebo sviečky.
- Zariadenie je možné použiť iba tak, ako je popísané v tomto návode.
- Pred prvým zapnutím sa uistite, že napájanie bolo správne pripojené.
- USB pamäť sa pripája priamo alebo cez predĺžovací USB kábel s dĺžkou do 25 cm.

Z bezpečnostných dôvodov neodstraňujte kryty a nesnažte sa dostať dovnútra zariadenia. Prístroj by mal byť opravovaný iba kvalifikovaným servisným personálom. Nerozoberajte zariadenie ani neotvárajte kryt, pretože vo vnútri nie sú žiadne diely, ktoré môžu byť opravené vlastnými silami. Údržbou a opravami zariadení sa zaoberá výhradne kvalifikovaný servisný personál.

BEZPEČNOSTNÉ POKYNY

1. Prečítajte si pokyny - pred použitím zariadenia si prečítajte celý návod a bezpečnostné informácie.
2. Tieto pokyny uschovajte - uschovajte návod na použitie pre použitie v budúcnosti.
3. Dodržiavajte varovanie - dodržujte všetky varovania umiestnené na zariadení a v súlade s pokynmi.
4. Dodržiavajte pokyny - postupujte podľa pokynov a návodu pre užívateľa.
5. Inštalácia - nastavte zariadenie podľa pokynov výrobcu.
6. Napájacie zdroje - tento produkt by mal byť napájaný iba zo zdrojov uvedených na označenie na napájacom kábli. Ak si nie ste istí, aký typ napájania máte doma, mali by ste sa obrátiť na svojho predajcu alebo miestneho dodávateľa elektrickej energie.
7. Uzemnenie alebo polarizácia napájania - zariadenie nemusí byť uzemnené. Uistite sa, že je zástrčka úplne zasunutá do zásuvky v stene alebo do predĺžovacieho kábla, aby sa zabránilo odhaleniu kolíkov a kontaktov. Niektoré verzie zariadenia môžu byť vybavené polarizovanou zástrčkou AC (s kolíkom). Túto zástrčku je možné zasunúť do sieťovej zásuvky iba jedným spôsobom. Toto je bezpečnostná funkcia. Ak nie je možné vložiť zástrčku do zásuvky, skúste ju otočiť. Ak zástrčka stále nepasuje do zásuvky, požiadajte elektrikára, aby ju vymenil. Neodstraňujte zabezpečenia polarizovanej zástrčky. Ak používate predĺžovací kábel alebo kábel iný ako dodávaný s zariadením, mal / a by ste mať zodpovedajúce zástrčky a bezpečnostné osvedčenie požadované vo vašej krajine.
8. Zaistenie napájacieho kábla - napájacie káble by mali byť vedené tak, aby nikto po po nich nešliapal, nestiskal a aby nedošlo k odrezaniu časti zariadenia predmetami umiestnenými vedľa. Venujte zvláštnu pozornosť zástrčkám, zásuvkám a miestam vyznačujúcim sa tým, že káble sú vyvedené von zo zariadenia.
9. Preťaženie - nepreťažujte zásuvky, predĺžovacie šnúry a elektrické rozvážače, môže to mať za následok poruchu alebo úraz elektrickým prúdom.
10. Vetranie - Prístroj musí byť riadne vetranie. Nekladte výrobok na posteľ, pohovku, alebo podobný povrch. Nezakrývajte zariadenie obrusy, obrúsky, novinami, atď
11. Teplo - Neumiestňujte zariadenie blízko zdrojov tepla ako sú radiátory, kachle alebo iné prístroje (vrátane zosilňovačov), ktoré produkujú teplo. Nekladte na zariadenie zapálené sviečky a iné otvorené zdroje ohňa.
12. Voda a vlhkosť - aby sa znížilo riziko poruchy alebo úrazu elektrickým prúdom, nevystavujte prístroj pôsobeniu dažďa, vody a vlhkosti, ako napríklad v saune, alebo v kúpeľni. Nepoužívajte toto zariadenie v blízkosti vody, napríklad pri vani, umývadle, kuchynského drezu alebo vane, vo vlhkej pivnici alebo v blízkosti bazéna (alebo na podobných miestach).
13. Objekty a kvapaliny v zariadení - Nevkladajte objekty cez otvory, pretože môžu prísť do styku s bodmi nebezpečného napätia a komponenty, ktoré môžu spôsobiť poruchu alebo úraz elektrickým prúdom. Tekutiny by za žiadnych okolností nemali vniknúť na povrch prístroja. Nekladte žiadne predmety obsahujúce kvapaliny na hornú časť zariadenia.

14. Čistenie - pred čistením vždy odpojte prístroj od elektrickej zásuvky. Prach okolo reproduktora možno odstrániť len suchou handričkou. Ak je potrebné použiť čistiaci sprej, nesmerujte postrek nie priamo na prístroj, ale na handričku. Dávajte pozor, aby nedošlo k poškodeniu pohonnej jednotky
15. Prídavné zariadenia - nepoužívajte príslušenstvo, ktoré nie sú schválené výrobcom, pretože môžu predstavovať hrozbu.
16. Príslušenstvo - neumiestňujte prístroj na nestabilný vozík, stojan, statív, držiak alebo stôl. Prístroj môže spadnúť, poškodiť sa a spôsobiť vážne zranenie deťom alebo dospelým. Použitie iba s vozíkom, stojanom, trojnožkou, držiakom alebo stolom, stanoveným výrobcovia alebo predávajú sa so zariadením. Inštalácia zariadenia by mala byť vykonaná v súlade s pokynmi výrobcu, za použitia montážnych súd odporúčaných výrobcom.
17. Sťahovanie zariadenia - zariadenie umiestnené na vozíku pohybuje veľmi starostlivo. Rýchle zastavenie, použitie nadmernej sily a nerovné povrchy môžu spôsobiť prevrátenie vozíka so zariadením.
18. Obdobie mimo prevádzky - napájací šnúra musí byť odpojená od zásuvky počas búrky alebo keď prístroj nie je používaný po dlhú dobu.
19. Servis - Nepokúšajte sa o vlastnoručný prehľadky zariadení. Otvorenie krytu môže spôsobiť nebezpečné napätie a vystaviť užívateľa na nebezpečenstvo. Údržba a opravy zariadení sa zaoberá výhradne kvalifikovaný servisný personál.
20. Ak nepoužívate zariadenie, odpojte napájací kábel od zásuvky v stene. Ak je zariadenie pripojené k zdroju napájania, je v pohotovostnom režime a nie je úplne vylúčené.
21. Náhradné diely - pri výmene dielov, skontrolujte, či zamestnanec servisu použil náhradné diely špecifikované výrobcom, alebo diely rovnaké ako pôvodné. Výmena za neschválené diely hrozí poruchou, úrazom elektrickým prúdom alebo iným nebezpečenstvom.
22. Hlavné poistky - pre kontinuálne zabezpečení zariadenia pred ohňom, použite poistky správneho typu a parametrov. Parametre poistky v rozsahu napätia sú vyznačené na prístroji.
23. Nezvyšujte hlasitosť pri počúvaní skladby malej hlasitosti alebo v neprítomnosti vstupného zvukového signálu. V opačnom prípade môže dôjsť k poškodeniu reproduktora pri rýchlom zvýšení sily signálu.
24. Jediným spôsobom odpojenia zariadenia od zdroja elektrickej energie je odpojenie napájacieho kábla od elektrickej zásuvky alebo od zariadenia. Zásuvka alebo vstupný napájací kábel k zariadeniu musí byť vždy k dispozícii pri používaní výrobku.
25. Zariadenie by malo byť inštalované v blízkosti elektrickej zásuvky alebo predlžovačky a to takým spôsobom, aby bolo vždy k dispozícii.
26. Maximálna okolitá teplota zariadenia je 35 ° C
27. Pokyny týkajúce sa elektrostatických výbojov - v prípade, že činnosť zariadenia je narušená elektrostatickými výbojmi, vypnite ho a opätovne zapnete alebo premiestnite prístroj do iného miesta.
28. Batérie
 - A. Batérie nesmú byť vystavené nadmernému teplu, ako je snečné žiarenie, oheň atď
 - B. Pri likvidácii batérie, venujte pozornosť environmentálnym aspektom.
 - C. Upozornenia týkajúce sa používania batérií: aby sa zabránilo úniku batérie, čo môže mať za následok zranenie alebo poškodenie zariadenia:
 1. Pri vkladaní batérií dbajte na správnu polaritu (+ a -).
 2. Nepoužívajte rôzne batérie naraz - staré a nové batérie, štandardné a alkalické atď
 3. Vyberte batérie z prístroja, keď nie je používaný po dlhšiu dobu

Poznámka o ERP2 (zariadenia súvisiace so spotrebou energie)

Toto zariadenie s ekodizajnom je v súlade s požiadavkami časti 2 nariadenia Komisie (ES) 1275/2008 k smernici 2009/125/ES o spotrebe energie ktorými sa vykonáva smernica Európskeho parlamentu a Rady 2005/32/ES, pokiaľ ide o požiadavky na ekodizajn z hľadiska potreby elektrickej energie elektrických a elektronických zariadení v domácnosti a kancelárii v pohotovostnom režime a vo vypnutom stave. Po uplynutí 15 minút bez vstupného audio signálu zariadenie sa automaticky prepne do pohotovostného režimu. Informácie o obnovení normálnej prevádzky možno nájsť v príručke.

Dôležité informácie:

Tento prístroj je vybavený režimom pre úsporu energie: ak v rámci 15 minút nebude automaticky podaný žiadny vstupný signál, prístroj prejde do pohotovostného režimu, aby šetril energiu (ERP štandard 2). Je potrebné poznamenať, že nízke nastavenie hlasitosti v zdroji audio signálu môže byť rozpoznané ako stav "bez zvuku", čo môže ovplyvniť vašu schopnosť detekovania signálu zo zariadenia a spôsobiť automaticky posun do pohotovostného režimu. V tomto prípade, obnovte prenos zvuku a zvýšte hlasitosť zdroja zvuku (MP3 prehrávač atď), pre obnovenie prehrávania. Ak problém pretrváva, obráťte sa na miestne servisné stredisko.

VAROVANIE

Prístroj by nemal byť používaný osobami (vrátane detí) s fyzickým, zmyslovým alebo mentálnym postihnutím a osobami s nedostatocnými znalosťami a skúsenosťami, pokiaľ nie sú pod dohľadom osoby zodpovednej za ich bezpečnosť a neboli poučené, ako bezpečne používať zariadenie. Prítomnosť dospelých je nutná v prípade, že zariadenie obsluhujú deti; to umožní zabezpečenie bezpečnej prevádzky zariadenia.

1. Nikdy nenechávajte zariadenie bežať bez dozoru! Vypnite zariadenie, ak ho nepoužívate, a to aj na krátku dobu.
2. Nepoužívajte prístroj cez externý časovač alebo samostatný systém diaľkového ovládania.
3. Aby sa zabránilo nebezpečenstvu, v prípade poškodenia napájacieho kábla výmenu by mal robiť výrobca, autorizovaný poskytovateľ služieb alebo iná osoba, majúca príslušné kvalifikácie.
4. Pred použitím zariadenia skontrolujte, či napätie zodpovedá napätiu vyskytujúcu sa v miestnej sieti.
5. Nezakrývajte vetracie otvory novinami, obrusmi, záclonami, atď Uistite sa, že nad prístrojom je aspoň 20 cm voľného priestoru, az každé strany - najmenej 5 cm.
6. Nedovoľte, aby na prístroj kvapkali alebo sa lily tekutiny a nekladte naň predmety naplnené kvapalinami, ako napríklad vazy.

7. Aby nedošlo k poruche alebo k úrazu elektrickým prúdom, nevystavujte zariadenie na horúčavy miesta, na dážď, vlhkosť a prach.
8. Nepokladajte zariadenie do blízkosti zdrojov vody, ako sú kohútiky, vane, práčky alebo bazény. Umiestnite zariadenie na rovný stabilný povrch.
9. Nevystavujte silnému magnetickému poľu.
10. Nekladte zariadenie priamo na zosilňovači alebo prijímači.
11. Nekladte prístroj na vlhka miesta, pretože vlhkosť poškodzuje elektrické súčasti.
12. Prenos zariadení z chladného do teplého prostredia alebo do vlhkého priestoru môže viesť ku kondenzácii vlhkosti na šošovke vo vnútri prehrávača. V takejto situácii, prístroj nebude pracovať správne. Nechajte súčasťou v prístroji po dobu jednej hodiny pre odparovanie vlhkosti.
13. Nečistite zariadenie chemickými rozpúšťadlami, pretože môžu zničiť lak skříně. Prístroj sa čistí čistým suchým alebo mierne vlhkou handričkou.
14. Pri odpájaní zo zásuvky vždy tahajte za zástrčku, nie za kábel.
15. Keď sa zapnutý prístroj používa v blízkosti zapnutého televízora, môže byť zdrojom narušenia obrazu v podobe čiar na obrazovke. Kvalita obrazu záleží na vlnovom pásme TV vysielania. Tento jav neznamená poruchu zariadenia alebo televízora. Vidíte-li tieto čiary, umiestnite prístroj do väčšej vzdialenosti od televízora.
16. Sieťová zástrčka sa používa na odpojenie napájania a mala by byť vždy k dispozícii.
17. Ak chcete zachovať laserovú hlavu pre čítanie CD v čistote, nedotýkajte ju a vždy zatvorte zásuvku disku.
18. Počas prehrávania sa disk otáča vysokou rýchlosťou. NEDVÍHAJTE a nepohybujte zariadením počas prehrávania, pretože môže to spôsobiť poškodenie disku alebo samotného zariadenia.
19. Pred presunom prístroja na iné miesto alebo počas sťahovania vyberte disk a zatvorte zásuvku disku. Potom vypnite napájanie a odpojte napájací kábel. Sťahovanie zariadenia s diskom vo vrecku môže byť príčinou poruchy.
20. Po prehraní disk musí byť umiestnený v obale. Nevystavujte disk priamemu slnečnému žiareniu a zdrojom tepla. Nenechávajte dosky vnútri automobilu zaparkovaného na priamom slnku.
21. Nedotýkajte strany disku bez štitku. Držte disk za jeho okraje, nenechajte odtlačky prstov. Prach, odtlačky prstov alebo škrabance na disku môžu spôsobiť poruchy prehrávača. Nepripájajte poznámky alebo pásku na disk.
22. Na čistenie disku použite čistú handričku, ktorá nepúšťa vlákna. Začnite čistenie lineárne od centra na okraj disku, s použitím bežne dostupných čistiacich prostriedkov alebo antistatických prostriedku na gramofónové platne.
23. Ak chcete zabrániť nožnej strate sluchu, nepočúvajte hudbu dlhšiu dobu nahlas.



VAROVANIE: ZDROJ ŽIARENIA

CLASS 1 LASER PRODUCT
LUOKAN 1 LASERLAITE
KLASS 1 LASERAPPARAT

Toto označenie znamená, že vo vnútri zariadenia sú laserové komponenty. Otvorenie krytu vrecká CD a opomenutie bezpečnostných poistiek vystavuje na laserové žiarenia. Nepozerajte sa do laserového lúča.

Pred uvedením do prevádzky

Poznámky: týkajúce sa dosiek CD.

Špinavé, poškodené alebo zdeformované disky môžu spôsobiť poškodenie zariadenia, dbajte na nasledujúce:

A. Kompaktné disky, ktoré môžete použiť. Môžete použiť len disky určené nižšie:

B. CD len s digitálnym audio zvukom

COMPACT
disc
DIGITAL AUDIO



POZNÁMKA

Prehlásenie o zhode

Blaupunkt Competence Center 2N-Everpol Sp. z o.o. týmto prehlasuje, že je toto zariadenie v súlade so základnými požiadavkami a ďalšími príslušnými ustanoveniami smernice 2014/53 / EU. Prehlásenie o zhode je možné získať zo stránky produktu na www.blaupunkt.com. Zodpovedná strana: 2N-Everpol Sp. z o.o., Puławska 403A, 02-801 Varšava, Poľsko, Tel: +48 22688 08 00, E-mail: info@everpol.pl.



Naše produkty sú navrhnuté a vyrobené z vysoko kvalitných materiálov a komponentov, ktoré sú recyklovateľné a znovu použiteľné.



Ak sa na vašom zariadení nachádza symbol prečiarknutého odpadkového koša s kolieskami, znamená to, že sa na produkt vzťahujú ustanovenia európskej smernice 2012/19/EÚ. Na základe toho sa prosím riadte miestnymi predpismi a oboznámte sa so požiadavkami na miestny systém zberu elektrického a elektronického odpadu a v prípade tohto produktu ich dodržujte.

NEVYHADZUJTE TENTO VÝROBOK S DOMÁCIMI ODPADMI!

TENTO VÝROBOK OBSAHUJE NEBEZPEČNÉ LÁTKY, ZMESI A KOMPONENTY, KTORÉ V PRÍPADE BEZ AUTORIZÁCIE MÔŽU BYŤ ZDROJOM POTENCIÁLNYCH VPLYVOV NA PRÍRODNÉ PROSTREDIE A ĽUDSKÉ ZDRAVIE!

Správna likvidácia použitého výrobku zabráni negatívnym vplyvom na životné prostredie a ľudské zdravie.



Výrobok obsahuje batérie, ktoré smernicu EÚ 2006/66 / EC nemožno vyhadzovať do bežného domového odpadu. Informujte sa prosím o miestnych pravidlách separovaného zberu batérií, pretože správnu likvidáciu pomôžete predchádzať negatívnym dôsledkom pre životné prostredie a ľudské zdravie.

INFORMÁCIE TÝKAJÚCE SA ŽIVOTNÉHO PROSTREDIA

Výrobok je zabalený len v nevyhnutnom obale pre jeho ochranu. Snahou našej firmy je, aby bol obalový materiál ľahko rozdeliteľný na tri materiály: kartón (krabica), polystyrénová pena (vypodloženie) a polyetylén (vrecká, ochranná penová pokrývka). Výrobok sa skladá z materiálov, ktoré je možné recyklovať a znovu použiť v prípade demontáže odbornou firmou.

Dodržujte prosím miestne predpisy týkajúce sa likvidácie obalových materiálov, vybitých batérií a starého zariadenia.

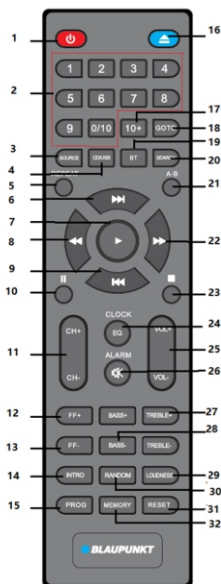
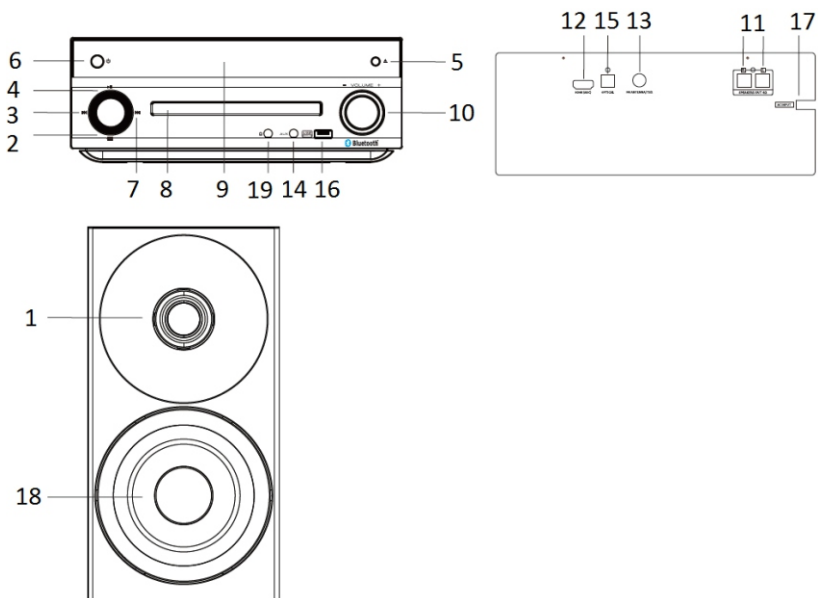
Na nahrávanie a prehrávanie materiálov môže byť vyžadovaný súhlas. Pozri Zákon o copyrightu Act 1956 a Zákon na ochranu umelcov Sk 1958-1972.



Bluetooth® názov i logo sú registrované obchodné známky spoločnosti Bluetooth SIG, Inc. a jej použitie je zaťažené licenciou. Ostatné obchodné známky a mená sú vlastnené ich vlastníckmi.

Ďakujeme, že ste si kúpili náš výrobok. Predtým, než začnete zariadenie používať, dôkladne si prečítajte a oboznámte sa s touto užívateľskou príručkou. Užívateľskú príručku uchovajte, pre prípadnú potrebu v budúcnosti.

Umiestnenie ovládacích prvkov



- | | |
|--|---------------------------------------|
| 1 - Vysokotónový reproduktor; | 2 - Výber zdroja; |
| 3 - Tlačidlo „predchádzajúce“; | 4 - Tlačidlo prehrávanie/pauza; |
| 5 - Tlačidlo vysunutia CD podávača; | 6 - Tlačidlo pohotovostného režimu; |
| 7 - Tlačidlo „nasledujúce“; | 8 - CD podávač; |
| 9 - Displej; | 10 - Tlačidlo hlasitosti; |
| 11 - konektor na pripojenie reproduktorov (4 Ω); | 12 - Vstup HDMI(ARC); |
| 13 - Zásuvka FM antény 75 ohmov; | 14 - Zásuvka AUX IN; |
| 15 - Optický vstup; | 16 - USB port; |
| 17 - Zásuvka napájania AC; | 18 - stredne-nízkotónový reproduktor; |
| 19 - výstup pre slúchadlá; | |

Dialkový ovládač

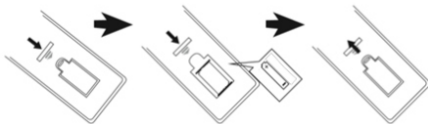
- | | |
|---|---|
| 1—Zapínanie/vypínanie napájania; | 2—Číselné tlačidlá; |
| 3—Zdroj; | 4—Tlačidlo CD/USB; |
| 5—Opakovanie (opakovať všetko, opakovať jednu skladbu, opakovať priečinok, opakovanie vypnuté); | 6—Nasledujúce; |
| 7—Prehrávanie; | 8—Rýchle presúvanie dozadu; |
| 9—Predchádzajúce; | 10—Pauza; |
| 11—Kanál +/-; | 12—Frekvencia FM +; |
| 13—Frekvencia FM -; | 14—Tlačidlo funkcie intra; |
| 15—Programovanie; | 16—Vysunúť táčku CD; |
| 17—10 +; | 18—Tlačidlo GOTO (ísť na); |
| 19—Bluetooth; | 20—Vyhľadávanie frekvencie FM; |
| 21—Opakovanie časti skladby A-B; | 22—Rýchle presúvanie dopredu; |
| 23—Stop; | 24—Hodiny/EQ (Hudba-Hry-Novinky-Filmy) |
| 25—Hlasitosť +/-; | 26—Budík/stlmenie zvuku; |
| 27—Nastavenie vysokých tónov +/-; | 28—Nastavenie nízkych tónov +/-; |
| 29—Hlasitosť; | 30—Náhodné prehrávanie zapnuté / vypnuté; |
| 31—Reset; | 32—Pamäť; |

Pripojenie reproduktorov a napájania

1. Keď chcete pripojiť reproduktory k hlavnej jednotke, vložte konektor na konci kábla reproduktora do konektora reproduktora, ktorý je na zadnom paneli plášte hlavnej jednotky. Pripojte ľavý reproduktor do konektora, ktorý je označený písmenom L, a pravý reproduktor do konektora, ktorý je označený písmenom R.
2. Skontrolujte, či zdroj napájania sa zhoduje s menovitými parametrami, ktoré sú uvedené na zadnom paneli hlavnej jednotky. Ak sa parametre nezhodujú, obráťte sa na predajcu alebo servis.
3. Zastrčte zástrčku napájacieho kábla hlavnej jednotky do el. zásuvky, keď je zariadenie pripojené k el. napätiu, svieti displej a zobrazuje sa formát času.
4. Keď nebudete systém dlhšie používať, odpojte napájacie káble, aby ste zariadenie úplne odpojili od el. napätia.

Vloženie batérií do diaľkového ovládača

Otvorte veko komory batérií a vložte 1 batériu typu AAA (v súprave); uistite sa, či je batéria vložená správne, tzn. či sú zachované póly, podľa symbolov, ktoré sú uvedené v komore. Následne zatvorte veko komory batérií.



Pozor:

- a. Pracovný dosah diaľkového ovládača je cca 7 metrov bez prekážok medzi ovládačom a hlavnou jednotkou. Pri používaní ovládač smerujte na snímač, ktorý sa nachádza v ľavom rohu displeja.
- b. Sila diaľkového ovládača bude slabnúť adekvátne k vybitiu batérie. Keď diaľkový ovládač prestane fungovať správne, vymeňte batériu na nabitú.
- c. Ak diaľkový ovládač nebudete dlhší čas používať, vyberte z neho batériu.
- d. Batériu likvidujte spôsobom šetrným k životnému prostrediu. Oboznámte sa so zásadami separácie odpadu, ktoré platia na danom mieste.

Všeobecná obsluha

- 1. Zapínanie/vypínanie napájania a pohotovostný režim:** Po úspešnom pripojení zariadenia k zdroju striedavého napätia sa displej rozsvieti; keď chcete zariadenie úplne vypnúť, tzn. odpojiť od el. napätia, vytiahnite zástrčku z el. zásuvky. Keď chcete zariadenie zapnúť a vypnúť pohotovostný režim, stlačte tlačidlo napájania na prednom paneli alebo na diaľkovom ovládači.
- 2. Stlmenie:** stlačením tlačidla MUTE na diaľkovom ovládači stlmíte zvuk; opätovným stlačením obnovíte prehrávanie. Prehrávanie tiež môžete obnoviť stlačením tlačidla hlasitosti +/-.
- 3. Výber režimu prehrávania:** stlačením tlačidla SOURCE môžete vybrať požadovaný režim prehrávania: CD / USB/FM / AUX IN / Bluetooth/HDMI/Optický vstup. Stlačením tlačidla CD / USB/Bluetooth na diaľkovom ovládači prepnete režim prehrávania CD a USB a bluetooth. Stlačením tlačidla výberu zdroja na prednom paneli získate rovnaké funkcie.
- 4. Nastavenie hlasitosti:** stlačením tlačidla VOL +/- na diaľkovom ovládači alebo otáčaním kolieska regulácie hlasitosti na prednom paneli zvýšite alebo znížite výstupnú hlasitosť.
- 5. Ekvalizér:** stlačením tlačidla EQ vyberte požadovaný typ hudby: Hudba-Hry-Novinky-Filmý.
- 6. Nastavenie nízkych a vysokých tónov:** krátko stlačte tlačidlo nastavenia vysokých +/- alebo nízkych +/- tónov na ovládači, aby ste nastavili vysoké a nízke tóny výstupného zvuku..
- 7. Numerické tlačidlá 0 ~ 9 a tlačidlo 10+:** Zadajte požadované číslice a stlačte tlačidlo prehrávanie / pauza počkajte chvíľku,, zariadenie následne začne prehrávať zadanú stopu. Stlačením tlačidla 10+ môžete preskočiť 10 nasledujúcich stôp, ak je na danom nosiči viac než 10 skladieb; Táto funkcia je dostupná v režime prehrávania CD a USB.
- 8. Prehrávanie, pauza a zastavenie:** V režime CD / USB / Bluetooth stlačením tlačidla prehrávania a pauzy zastavíte alebo obnovíte prehrávanie; V režime CD a USB stlačením tlačidla zastavenia zastavíte prehrávanie, a stlačením tlačidla prehrávania obnovíte prehrávanie hudby.
- 9. Predchádzajúce a nasledujúce, presúvanie dopredu a dozadu:** krátkym stlačením tlačidla predchádzajúce/nasledujúce sa spustí diaľkového ovládača prehrávanie poslednej alebo nasledujúcej stopy; Stlačením a podržaním tlačidla sa spustí prevíjanie dopredu / dozadu aktuálne prehrávanej skladby, keď tlačidlo pustíte, obnoví sa normálny spôsob prehrávania.
- 10. Opakované prehrávanie:** V režime CD a USB stlačením tlačidla opakovania môžete nastaviť: prehrávanie danej skladby, prehrávanie celého obsahu nosiča, opakovať priečinok alebo vypnúť opakovanie;
- 11. Náhodné prehrávanie:** stlačením tlačidla náhodného prehrávania zapnete alebo vypnete náhodné prehrávanie.
- 12. Vkládanie CD disku:** Stlačte tlačidlo otvárania veka CD prehrávača, otvoríte a vložte CD. Opätovným stlačením zatvorte veko CD prehrávača.
- 13. Loudness:** krátkym stlačením tlačidla aktivujete funkciu zosilnenia farby zvuku.
- 14. Slúchadlá:** Slúchadlá pripojte do konektora pre slúchadlá umiestneného na prednom paneli, po pripojení slúchadiel sa zvuk z reproduktorov stlmí a bude dostupný len zo slúchadiel. Upravte hlasitosť.
- 15. Opakovať prehrávanie vybranej časti skladby:** v režime CD / USB krátko stlačte tlačidlo A-B na ovládači, aby ste vybrali začiatkové miesto vybranej skladby, opätovne ho stlačte, aby ste vybrali konečné miesto vybranej skladby; zariadenie bude opakovať zadanú časť skladby, až kým opäť nestlačíte tlačidlo A-B, čím túto funkciu zrušíte a spustíte normálne prehrávanie.

16. Reset systému: v režime CD vysunutím CD podávača (bez zatvorenia), stlačte a na 3 sekundy podržte tlačidlo Reset, na displeji zobrazí „Reset“ a systém sa zresetuje.

Prehrávanie CD

Tento model má funkciu prehrávania CD / CD-R-RW, ako aj súborov uložených vo formátoch MP3 / WMA (DVD nie je podporované). Pred prehrávaním CD disku skontrolujte, či je záznamová plocha čistá a nepoškriabaná, v opačnom prípade zariadenie môže mať problémy s načítaním CD disku alebo pri prehrávaní budú znieť rušivé zvuky.

1. Stláčaním tlačidla výberu zdroja alebo tlačidla CD / USB na ovládači spustíte prehrávanie CD.
2. Stláčením tlačidla otvárania otvorte veko CD prehrávača, vložte disk; zatvorte veko CD prehrávača. Zariadenie začne automaticky načítavať vložený CD disk a spustí prehrávanie.
3. Môžete si vytvoriť vlastný zoznam prehrávania (môžete naprogramovať maximálne 20 stôp pre CD disky a 99 stôp pre disky so súbormi WMA / Mp3)
 - a. V režime prehrávania CD stlačte najprv tlačidlo stop, a následne stlačte tlačidlo programovania, spustí sa funkcia vytvárania zoznamu.
 - b. Na displeji sa zobrazí nápis "XXX PXX"; stláčaním tlačidla predchádzajúce/nasledujúce alebo číselné tlačidlo skladbu, ktorú chcete naprogramovať, a následne stláčením tlačidla programovania potvrdíte toto nastavenie.
 - c. Následne sa na displeji zobrazí naprogramovaná stopa a otvorí sa nastavenie ďalšej stopy. Napríklad 006 P01" znamená, že stopa č. 6 bola naprogramovaná ako stopa číslo 01.
 - d. Zopakujte predchádzajúce kroky b. a c., nastavte ostatné stopy až kým sa na displeji nezobrazí správa „FULL“.
 - e. Stláčením tlačidla prehrávania spustíte prehrávanie naprogramovaného zoznamu.
4. Keď chcete zrušiť a odstrániť naprogramovaný zoznam prehrávania, opätovne dvakrát stlačte tlačidlo zastavenia alebo vyberte CD.
4. Počas prehrávania CD sú dostupné nasledovné funkcie: opakovanie a pauza, zastavenie, stlmenie zvuku, náhodné prehrávanie, výber skladby, ekvalizér, presúvanie dopredu a dozadu, rýchla voľba pomocou numerických tlačidiel ap. Oboznámte sa s kapitolou o všeobecnej obsluhu, ktorá je uvedená v tejto príručke.

Používanie FM rádia

Predtým, než začnete počúvať FM rádio, prosím, pripojte pripojenú FM anténu do portu FM antény na zadnom paneli, aby ste získali lepší príjem FM signálu.

1. **Automatické vyhľadávanie a programovanie rozhlasových staníc:** Stláčaním tlačidla zdroja prehrávania vyberte režim FM rádia; krátko stlačte tlačidlo vyhľadávania FM frekvencií alebo tlačidlo prehrávania/pauzy (2 sekundy) na prednom paneli, následne sa spustí vyhľadávanie a ukladanie dostupných rozhlasových staníc. Zariadenie môže v svojej pamäti uložiť max. 40 staníc. Krátkym stláčením tlačidla predchádzajúce/nasledujúce na alebo stlačte tlačidlo kanál +/- alebo číselné tlačidlo na ovládači hlavnej jednotky vyberte nastavenú stanicu.
2. **Ručné doladenie alebo automatické vyhľadávanie:** krátkym stláčením tlačidla FF +/- zvýšite alebo znížite frekvenciu o 0,1 MHz; stláčením a na 2 sekundy podržaním tlačidla FF +/- alebo predchádzajúce / nasledujúce na prednom paneli spustíte automatické vyhľadávanie (ladenie) dostupných FM rozhlasových staníc, príslušne hore alebo dole (s vyššou alebo nižšou frekvenciou), následne sa vyhľadávanie zastaví a automaticky spustí sa prvá nájdená stanica.
3. **Ručné nastavovanie rozhlasových staníc:** keď nastavíte (naladíte) obľúbený rozhlas ručným doladením alebo automatickým vyhľadávaním, najprv na ovládači stlačte tlačidlo pamäte, číslice čísla pamäte rozhlasu začnú na displeji blikať, stláčaním tlačidla tlačidlo kanál +/- nastavte číslo, na akom chcete daný rozhlas uložiť. Následne stlačte tlačidlo pamäte, čím potvrdíte nastavenie; aktuálna FM rozhlasová stanica sa uloží. Ak chcete uložiť inú stanicu, postup zopakujte.
4. **Nastavte konkrétnu frekvenciu:** Najprv stlačte tlačidlo GOTO na ovládači, následne nastavte konkrétnu FM frekvenciu, napríklad 1-0-4-3 pomocou číselných tlačidiel, spustí sa nastavená rozhlasová stanica.

Používanie USB

Zariadenie má funkciu prehrávania USB, ktorá umožňuje dekódovať a prehrať súbory uložené na USB kľúčoch Predtým, než začnete prehrať hudbu, skopírujte potrebné súbory vo formáte MP3 / WMA na USB kľúč. Maximálna podporovaná kapacita USB kľúča je 32 GB.

1. Pred spustením prehrávania z USB kľúča sa uistite, či je USB kľúč správne zastrčený do USB portu. Následne stláčením tlačidla zdroja alebo na ovládači tlačidla CD / USB aktivujete režim USB prehrávania. Zariadenie po niekoľkých sekundách začne automaticky dekódovať a prehrať hudbu.
2. V režime USB sú dostupné nasledovné funkcie: prehrávanie a pauza, zastavenie, stlmenie zvuku, opakovanie, ekvalizér, presúvanie dopredu a dozadu. Oboznámte sa s kapitolou o všeobecnej obsluhu uvedenou v tejto príručke.

Pozor:

- a. Neodporúčame USB kľúče pripájať prostredníctvom predlžovacích USB káblov, pretože to môže spôsobovať šum, alebo prerušenie prehrávania následkom straty dát počas ich zasielania.
- b. Nemôžeme zaručiť, že zariadenie dokáže dekódovať a prehrať všetky súbory vo formáte MP3 / WMA.
- c. Maximálna podporovaná kapacita USB kľúčov je 32 GB.
- d. Dekódovanie a prehrávanie niektorých USB nosičov môže trvať trochu dlhšie; pripomíname, že to nie je porucha.

Používanie Bluetooth

Tento výrobok má funkciu Bluetooth, ktorá umožňuje bezdrôtovo prehrávať súbory z iného zariadenia pripojeného prostredníctvom Bluetooth.

1. Niekoľkokrát stlačte tlačidlo výberu zdroja, kým nevyberiete režim Bluetooth, na displeji sa zobrazí, "BLUE-T™". V externom zariadení aktivujte funkciu Bluetooth a spustíte vyhľadávanie dostupných zariadení Bluetooth (postupujte podľa pokynov uvedených v príručke daného zariadenia), a následne prejdite na zoznam dostupných zariadení Bluetooth.
2. Vyberte „BP MS30.2BT“ a spárujte. po úspešnom pripojení k zariadeniu Bluetooth prestane na displeji blikať správa BLUE-T .
3. V externom zariadení Bluetooth vyberte a spustíte prehrávanie, a zvuk sa bude prehrať na reproduktore tohto zariadenia.

4. Keď chcete počas prehrávania vybrať poslednú alebo nasledujúcu stopu, stlačte tlačidlo predchádzajúce/nasledujúce. Keď chcete odpojiť spárované zariadenia Bluetooth, stlačte a na 2 sekundy podržte tlačidlo prehrávanie / pauza.

5. V režime Bluetooth sú dostupné nasledovné funkcie: prehrávanie / pauza, stlmenie zvuku, ekvalizér ap. Oznámte sa s kapitolou o všeobecnej obsluhu uvedenou v tejto príručke.

6. Dlhým stlačením (3 sekundy) tlačidla prehrávania/pauzy na prednom paneli môžete zrušiť párovanie s aktuálnym zariadením Bluetooth.

Pozor:

a. Nedá sa zaručiť, že sa zariadenie bude dať spárovať so všetkými zariadeniami Bluetooth, vzhľadom na rôzne konštrukcie (štandardy) a rôznych výrobcov.

b. Pracovný dosah Bluetooth je cca 10 metrov, bez prekážok medzi zariadeniam.

c. Zariadenie môže byť v jednej chvíli spárované iba s jedným zariadením Bluetooth.

d. Predtým, než spárujete toto zariadenie s iným, odpojte aktuálne párovanie Bluetooth, v opačnom prípade sa zariadenie „BP MS30.2BT“ nezobrazí na zozname dostupných zariadení Bluetooth.

Podpora digitálnych vstupov

Tento model má digitálny optický vstup a HDMI(ARC), prostredníctvom ktorých sa dá pripojiť k televízoru alebo k iným kompatibilným externým zariadeniam na prehrávanie zvuku.

Optický vstup: S použitím optického kábla (nie je v súprave) spojte výstupný port televízora alebo iného zariadenia, so vstupným optickým portom tohto zariadenia. Stlačením tlačidla voľby zdroja vyberte optický režim. Skontrolujte a opravte hlasitosť, tak tohto zariadenia ako aj televízora alebo iného externého zariadenia, vyberte a spustite prehrávanie požadovaného obsahu, následne zariadenie začne prehrávať zvuk.

Vstup HDMI(ARC): Tento model podporuje konektor HDMI s ARC (spätný audio kanál); Ak je váš televízor kompatibilný, tzn. podporuje HDMI ARC (bližšie informácie nájdete v špecifikácii televízora), môžete prehrávať zvuk z televízora reproduktormi tohto zariadenia. S použitím kábla HDMI (nie je v súprave) pripojte toto zariadenie k televízoru, stlačením tlačidla výberu zdroja tohto zariadenia nastavte režim HDMI, alebo sa zdroj automaticky prepne do režimu HDMI po úspešnom pripojení a zapnutí televízora. Upravte úroveň hlasitosti, vyberte a spustite prehrávanie obsahu na televízore, zvuk sa následne bude prehrávať reproduktormi tohto zariadenia.

Pozor!

a. V režime prehrávania signálu z digitálneho vstupu (optického a HDMI ARC), v televízore alebo externom zariadení nastavte výstup audio signálu na „PCM stereo“ alebo „stereo 2.0“ (bližšie informácie nájdete v príručke televízora alebo externého zariadenia), v opačnom prípade zariadenie nebude zvuk prehrávať.

b. Uistite sa, či váš televízor podporuje HDMI ARC. Televízor môže mať niekoľko portov HDMI, preto skontrolujte a správne pripojte výstupný port HDMI ARC, väčšinou je vedľa portu uvedená informácia o tom, ktorý port podporuje HDMI ARC (bližšie informácie nájdete v príručke televízora alebo v jeho špecifikácii).

c. Pri výbere a kúpe HDMI kábla, ktorý chcete použiť na pripojenie, uistite sa, či daný kábel podporuje štandard HDMI V1.3 a vyšší, a či je to 19-vodičový kábel.

d. Ak nie je k dispozícii žiadny zvuk alebo je prerušovaný, dôkladne skontrolujte vyššie uvedené poznámky, a uistite sa, či je spojenie medzi mikrovezou a iným zariadením správne.

e. V režime prehrávania signálu z digitálneho vstupu, nastavenie hlasitosti/ekvalizéra/stlmenie ap. je dostupné prostredníctvom diaľkového ovládača.

Používanie režimu LINE IN (AUX IN)

Keď chcete pripojiť a prehrávať hudbu z iného prehrávača alebo zdroja, postupujte nasledovne:

1. Pomocou pripojeného audio kábla (3,5 mm do 3,5 mm stereo) pripojte zásuvku AUX IN (typ 3,5 mm stereo) na predný panel hlavného zariadenia, a druhý konektor 3,5 mm stereo do priameho výstupu alebo slúchadlového výstupu externého prehrávača. Stlačením tlačidla režimu vyberte režim AUX IN.

2. Na externom prehrávači spustite prehrávanie, a zvuk sa bude prehrávať na reproduktorch tohto zariadenia.

3. V režime prehrávania AUX IN hlavné parametre sa nastavujú na externom prehrávači. V tomto zariadení sa dá nastaviť hlasitosť, ekvalizér a stlmiť zvuk.

Nastavenie času a budíka (budenie pomocou prehrávania a automatické prehrávanie)

Súčasťou zariadenia sú aj hodiny a budík, čo vám umožňuje nastaviť budenie pomocou piesne, keď sa dosiahne určený čas.

1. Nastavenie hodín: V pohotovostnom režime sa po krátkom stlačení tlačidla hodín na diaľkovom ovládači zobrazí na displeji formát času „_ _ : _ _“ Pre začatie nastavovania stlačte a na niekoľko sekúnd podržte tlačidlo hodín. Na displeji sa zobrazí 24 hodinový formát času. Pomocou tlačidla kanál +/- vyberte formát času 12/24 a znova potvrdte stlačením tlačidla hodín. Následne sa na displeji rozblíkajú číslice. Pomocou kanál +/- nastavte hodinu a znova potvrdte tlačidlom hodín. Rozblíkajú sa číslice pre minútu, opäť ju nastavte pomocou tlačidlo kanál +/- a potvrdte. Týmto ste ukončili nastavenie hodín.

2. Nastavenie času budenia (budíka) prehrávaním: v rozhraní času stlačte a podržte tlačidlo budíka na diaľkovom ovládaní na niekoľko sekúnd. následne sa na displeji zobrazí čas budíka; stlačte tlačidlo zmeny kanála +/- a nastavte požadovanú hodinu budíka, následne stlačte tlačidlo hodín, čím potvrdíte nastavenie; teraz prejdite na nastavenie zostávajúcich parametrov: minút/zdroja budíka (FM/CD/USB)/hlasitosť budenia, čo sa vykonáva podobne ako nastavenie hodiny budíka. Opätovne stlačte tlačidlo budíka, čím potvrdíte a dokončíte nastavenia.

Poznámky:

a. Nastavenie času hodín a budíka je zachované len vtedy, keď je zachované hlavné napájanie. V prípade prerušenia napájania je potrebné ich znova nastaviť.

b. Po správnom nastavení budíka sa na displeji zobrazí symbol budíka. Krátkym stlačením tlačidla budíka v pohotovostnom režime môžete vypnúť nastavenie budíka, a jeho opätovným stlačením si môžete pozrieť nastavenie.

c. Keď nastane čas budenia, jednotka automaticky spustí prehrávanie (CD/rádio FM/USB) budík vypnete stlačením tlačidla napájania.

Riešenie problémov

1. Zariadenie sa nedá zapnúť

- a. Skontrolujte, či zástrčka napájacieho kábla je správne zastrčená do el. zásuvky.
- b. V prípade, ak sa vyskytne problém, kontaktujte servisné centrum.

2. Žiadny zvuk.

- a. Skúste nastaviť hlasitosť.
- b. Skontrolujte, či ste zvolili správny režim prehrávania.
- c. V prípade, ak sa vyskytnú problémy, kontaktujte servisné centrum.

3. CD sa nedá prehrať.

- a. Skúste CD vymeniť a prehrať iný s hudbou uloženou vo formáte CD / CD-R-RW / MP3 / WMA.
- b. Skúste vyčistiť CD disk.
- c. V prípade, ak sa vyskytnú problémy, kontaktujte servisné centrum.

4. Šum v režime FM.

- a. Úplne rozviňte FM anténu, skúste prispôsobiť smer antény.
- b. Preneste prijímač bližšie k oknu.
- c. Vyberte inú frekvenciu.

5. Prerušovaný zvuk pri prehrávaní Bluetooth.

- a. Skúste Bluetooth zariadenie premiestniť bližšie k tomuto zariadeniu.
- b. Skúste vypnúť funkciu Bluetooth v externom zariadení a opäť ju zapnite.

6. Diaľkový ovládač nefunguje dobre.

- a. Nasmerujte ovládač na snímač, ktorý je umiestnený na ľavej strane displeja.
- b. Vymeňte batériu na novú, pravdepodobne je už skoro vybitá.

Špecifikácia

Zdroj napätia: AC 110-240 V, 50/60 Hz

Kompatibilné s CD: CD / CD-R-RW / MP3 / WMA

Frekvencia FM: 87,5-108,0 MHz

Parametre USB: 5 V, 500 mA, verzia 2.0, podporované zariadenia do 32 GB

Bluetooth: V5.0, pracovný dosah do 10 metrov.

Vstup HDMI ARC V2.0, 1 x optický vstup.

Výstupný výkon RMS: 2 x 25 W

Spotreba energie: celkovo 60 W

Spotreba energie v pohotovostnom režime: <0,5W

(Pozor: vyššie uvedené špecifikácia sa môže zmeniť bez predchádzajúceho upozornenia.)

FONTOS BIZTONSÁGI UTASÍTÁSOK



FIGYELEM!
ÁRAMÜTÉS VESZÉLYE
NE NYISSA KI!

**Figyelem:**

Az áramütés kockázatának csökkentése érdekében, ne távolítsa el a fedelet vagy hátra alkatrészeket. A készülékben nincs felhasználó által javítható alkatrészek. Forduljon képzett szakemberhez

A szimbólumok magyarázata:

Villám szimbólum elhelyezett egyenlő oldalú háromszögben figyelmezteti a felhasználót a szigetetlen "veszélyes feszültségre" a készülékben, amely elérheti a fenyegető áramütés méretét.ü



Felkiáltójel szimbólum elhelyezett egyenlő oldalú háromszögben figyelmezteti a felhasználót, hogy most az üzemeltetés és karbantartásról információk megjelennek a dokumentációban, a készülékhez hozzáadott.

Kérjük, figyelmesen olvassa el az alábbi biztonsági utasításokat, és ezeket a későbbiekben felmerülő kérdések esetére is tartsa meg. Vegye figyelembe a használati utasításban és a készülék hátoldalán található figyelmeztetéseket és utasításokat.

Fontos információk

- Tartsa meg a használati útmutatók későbbi kérdések esetében
- Kerülje a készülék vízzel vagy nedvességgel történő érintkezését
- Ne telepítse a készüléket az alábbi helyeken:
- Kerülje a berendezés közvetlen napfényvel vagy szokatlanul sok porral történő érintkezését.
- Ne helyezzen semmilyen más melegítő készülékek a berendezés mellett.
- A készülék helye ne legyen folyamatosan rezgő helyeken.
- A készülék helye ne legyen magas páratartalmú helyiségben.
- Ne helyezzen nyílt láng vagy gyertyák mellett.
- Berendezések csak kézikönyv szerint használható.
- A berendezés bekapcsolása előtt, győződjön meg róla, hogy az áramellátás megfelelően csatlakozik.
- USB memóriát közvetlenül bekapcsolható, 25 cm-es kábellel.

A hátoldalon és a készülék oldalán található légnyelások maradjanak szabadon. Soha ne próbálja meg a hibás készüléket megjavítani, minden esetben forduljon ügyfélszolgálatához. Ne nyissa fel a készüléket - ezt csak szakember teheti meg.

BIZTONSÁGI UTASÍTÁSOK

1. Olvassa el az utasításokat - figyelmesen olvassa el a biztonsági utasításokat.
2. Tartsa meg az útmutatót - későbbiekben felmerülő kérdések esetére tartsa meg a biztonsági utasításokat.
3. Vegye figyelembe a figyelmeztetéseket - Vegye figyelembe a használati figyelmeztetéseket és utasításokat.
4. Vegye figyelembe az utasításokat - Vegye figyelembe a használati figyelmeztetéseket és utasításokat.
5. Üzembevétel - Utasítások szerint ügyeljen.
6. Áramforrás - A készüléket csatlakoztassa csak a normál hálózati feszültséghez. Ha a felhasználó nem biztos abban, milyen típusú tápegysége van a házban, akkor forduljon a forgalmazóhoz vagy a helyi áramszolgáltatóhoz.
7. Földelés vagy teljesítmény polarizációja – a földelésre nincs szükség. Győződjön meg arról, hogy a csatlakozó teljesen be van helyezve a fali csatlakozóba vagy kiterjesztésbe. A berendezés egyes verziói egy polarizált csatlakozója van (az egyik pólus szélesebb). Ez a dugó lehet illeszteni a fali aljzatba csak egyféleképpen. Ez egy biztonsági funkció. Ha nem lehet bedugni a dugót a konnectorba, próbálja fordítani őt. Ha a dugó még mindig nem illeszkedik az aljzatba, forduljon villanyszerelőhöz, hogy cseréltesse ki. Ne távolítsa el a biztonságot a polarizált dugóról. Amikor használ hosszabbítót vagy a hálózati kábel ami nem mellékelte a készülékhez, megfelelő dugaszolhatóra és az adott országban biztonsági ellenőrzésre szüksége van.
8. Tápkábel biztosítása - Úgy helyezze el a hálózati kábelt, hogy abban senki ne botoljon meg. Fordítson különös figyelmet a dugaszolhatóra, a hálózati csatlakozóra és ezekre a helyekre ahol a kábelek vezetnek ki a készüléket.
9. Túlterhelés - ne terhelje túl a konnectorokat, hosszabbítót, és elektromos elosztók, mivel ez tüzet vagy áramütést áramütést okozhat.
10. Szellőzés - A készüléket szellőztetni kell. Ne tegye a készüléket puha felületre, pl. takaróra, szőnyegre vagy függönyök, falikárpit közelébe, mert a szellőzés nyílások takarásba kerülhetnek, ezáltal a szükséges levegőcsere nem valósul meg.
11. Hőség - Ne helyezze a készüléket fűtőtestek vagy más hőt sugárzó források közelébe. Kerülje a berendezés közvetlen napfényvel. Nyílt láng, például gyertyák ne kerüljenek a készülékre.
12. Víz és nedvesség - Tűzveszély és egy esetleges áramütés elkerülése végett, a készüléket ne tegye ki esőnek vagy nedvességnek. A berendezést ne használja fürdőkádak, úszómedencék vagy fröcskölő vízforrás közelében.
13. Tárgyak és folyadékok a készülék - Idegen tárgyak ne tegyen be a készülékbe mert feszültség alatt lévő pontokat és alkatrészeket érinthetnek, ami tüzet vagy áramütést okozhat. Ne helyezzen folyadékkal telt tárolóedényeket a készülékbe.
14. Tisztítás - A tisztítás előtt mindig húzza ki a készüléket a fali csatlakozóból. Port száraz ruhával távolítsa el. Ha a tisztításhoz aeroszolt használ, ne irányítsa közvetlenül a készülékre, de a ruhára. Ügyeljen arra, hogy ne sértse meg a meghajtó egységeket.
15. Kiegészítő berendezések - Ne használjon olyan tartozékokat, amelyek nem a gyártó által jóváhagyott, mivel azok veszélyt jelentenek.
16. Tartozékok - Ne helyezze a készüléket instabil kocsira, állványra, konzolra vagy asztalra. A készüléket megsérülheti és súlyos sérülést okozhat egy gyermek vagy egy felnőtt számára. Csak a gyártó által jóváhagyott vagy készülékkel eladott kocsit, állványt, konzolt vagy használható. A készüléket gyártói útmutató szerint felszerelhető.

17. A berendezés áthelyezése - a kocsin levő készüléket nagyon óvatosan mozdulni kell. Gyors fékezés, túlzott erőltetés és az egyenetlen felületek miatt felborulhat a készülék.
18. A berendezés nem használata - Ha a berendezést hosszabb ideig nem használja, áramtalanítsa azt.
19. Szerviz - Soha ne próbálja meg a hibás készüléket megjavítani, minden esetben forduljon ügyfélszolgálatához. Ne nyissa fel a készüléket - ez csak szakember teheti meg. A karbantartási munkákat hagyja szakképzett személyzetre. Egyéb esetekben magát és másokat is veszélyeztet.
20. Ha a berendezést hosszabb ideig nem használja, áramtalanítsa azt. Ha a készülék csatlakoztatva van egy áramforráshoz, ez készenléti üzemmódban, és nem teljesen kizár.
21. Pótalkatrészek - Alkatrészek cseréjekor ellenőrizze, hogy a szolgálati munkavállaló használt pótalkatrészeket a gyártó által meghatározott, vagy ugyanilyenek, mint az eredeti rész. Nem engedélyezett részek esetében tűz, áramütés vagy egyéb veszély veszélyeztet.
22. Főbiztosítékok - Állandó készülék biztosításához megfelelő típusú és paraméterű biztosítókat használni kell. Biztosítékok paraméterei a készüléken vannak.
23. Ne növelje a hangerőt a kis hangerőjű dal vagy a bemenő audiojel hiányában mellett. Ellenkező esetben maradandó halláskárosodáshoz vezethet.
24. A hálózattal történő kicsatlakoztatáshoz a villásdugót teljesen nyomja ki a konnektorból. A aljzat vagy kábel bemeneti teljesítmény a készülék mindig elérhetőnek kell lenni a használat során a termék.
25. A készüléket a konnektor vagy hosszabbító közelében el kell helyezni, oly módon, hogy mindig rendelkezésre áll.
26. A készülék maximális környezeti hőmérséklete 35 °C.
27. Irányelvek az elektrosztatikus kizűlésről - ha a készülék működése zavarban van az elektrosztatikus kizűlés miatt, ki kell kapcsolni és újrapcsolni vagy más helyre mozdulni.
28. Elem
 - a. Ne helyezze a készüléket fűtőtestek vagy más hőt sugárzó források közelébe. Kerülje a berendezés közvetlen napfényvel.
 - b. Az akkumulátor kidobása alatt, fordítson figyelmet a környezetvédelemre.
 - c. Vigyázat elemek használatára vonatkozó: annak érdekében, hogy megakadályozza az elem szivárgását amely sérülést vagy kárt okozhat:
 - az elemek elhelyezése alatt, fordítson figyelmet a polaritásra (+ és -)
 - ne használjon különböző elemeket egyszerre - régi és új normál és alkalikus stb.
 - Vegye ki az elemeket a készülékből, ha nem használja hosszabb időre.

ERP2-ről megjegyzések (energiával kapcsolatos eszközök)

Ez a készülék ökojellel megfelel a 2. szakasz bizottsági rendelet (EC) No 1275/2008 irányelvet átültető 2009/125/EK energiafogyasztásról a fogyasztással élő és működő készenléti üzemmódban elektronikus eszközökről iródban és házban. 15 perc a bevételi jel nélkül után, a készülék automatikusan készenléti üzemmódba átkapcsol.

Információk a normál működésbe helyreállításáról az útmutatóban megtalálható.

Fontos információk

Ez a készülék fel van szerelve egy energiatakarékos üzemmóddal: 15 perc a bevételi jel nélkül után, a készülék automatikusan készenléti üzemmódba átkapcsol (ERP2 szabvány). Meg kell jegyezni, hogy az alacsony hangerő az lehet ismerni "nincs hangként": ez befolyásolhatja a jel elismerésére és automatikusan készenléti üzemmódba kapcsolására. Ebben az esetben vissza kell állítani az audiojel adása vagy növelni a hangerőt a hangforrásban (MP3-lejátszó, stb). Ha a probléma továbbra is fennáll, lépjen kapcsolatba a helyi márkaszervizzel.

FIGYELEM

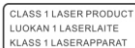
A készüléket nem használhatják olyan személyek (beleértve a gyerekeket), akik testi, érzékszervi vagy szellemi fogyatékoságtól szenvednek és az elégtelen tudású és tapasztalatu is, ha a felelős személy nem felügyeli és nem kapta meg elég információ a készülékről. Felnőttek jelenlétére szüksége van ha a gyerekek használják a készüléket. Ez biztosítja a biztonságos használatát.

1. Soha ne hagyja a gépet felügyelet nélkül! Kapcsolja ki készüléket, ha nem használ, bár egy rövid ideig.
2. Ne használja a készüléket egy külső órajel időzítővel, vagy egy külön távvezérlő rendszerrel.
3. Kockázatának elkerülése érdekében a tápkábel megsérülése esetében, a cserét gyártónak kell végezni, meghatalmazott szolgáltató, vagy más személy aki rendelkezik megfelelő képesítéssel.
4. Mielőtt használatba venné a készüléket, ellenőrizze, hogy a hálózati feszültség megegyezik a feszültséggel előforduló helyi hálózatban.
5. Ne tegye a készüléket puha felületre, pl. takaróra, szőnyegre vagy függönyök, falikárpit közelébe, mert a szellőző nyílások takarásba kerülhetnek, ezáltal a szükséges levegőcsere nem valósul meg. Győződjön meg arról, hogy a készüléktől legalább 20 cm szabad hely, és a két oldalán - legalább 5 cm-t.
6. Amennyiben a készülékbe idegen anyag, test vagy folyadék kerül, ne helyezzen folyadékkal telt tárolóedényeket, pl. virágvázát a készülékre.
7. Tűzveszély és egy esetleges áramütés elkerülése végett, a készüléket ne tegye ki esőnek vagy nedvességnek.
8. A berendezést ne használja fürdőakádak, úszómedencék vagy fröcskölő vízforrás közelében. Tartsa meg stabil helyeken.
9. Ne tegye ki erős mágneses mezőre.
10. Ne helyezze a készüléket közvetlenül az erősítőn vagy vevőn.
11. Ne helyezze a készüléket páras helyen, mert a nedvességnek hátrányos hatása van az elektromos alkatrészekre.
12. A készülék hozása a hideg helyről meleg vagy nedves helyre páralecsapódás a lencsén a lejátszó belsejében történhet. Ebben az esetben a készülék nem helyesen működhet. Hagyja a gépet bekapcsolva körülbelül egy óráig, hogy lehetővé tegye a nedvesség párolgást.
13. Ne tisztítsa a készüléket kémiai oldószerekkel, a készülék lakk megsemmisítése miatt. Az eszköz tiszta, száraz vagy enyhén nedves ruhával tisztítható.

14. A konnektorból történő kihúzás esetén ne a kábelt, hanem a villásdugót húzza ki.
15. A készülék működik a bekapcsolt tévé mellett, ez a zaj a képernyőn forrása lehet. A TV adás hullámaintól függő. Azt nem jelenti hibás se tévé se rádió működését. Ebben az esetben távolítsa a készüléket a tévétől.
16. A hálózati csatlakozó a hálózatról kihúzásához használható. Fontos, hogy mindig elérhető.
17. Annak érdekében, hogy a lézerfej tiszta legyen, nem szabad érinteni és mindig be kell zárni a lejátszószózbát.
18. Lejátszás közben a lemez nagy sebességgel forog. NEM SZABAD felemelni vagy mozdulni a készüléket a lejátszás alatt. Ez károsíthatja a lemezt, vagy az eszközt.
19. A készülék mozgatása előtt ki kell venni a lemezt és bezárni a lejátszószózbát. Ezután kapcsolja ki a készüléket, és húzza ki a tápkábelt. A készüléket, a lemezzel bent, károsíthatja a lemezt és a készüléket.
20. A lemez lejátszása után helyezze el a csomagban. Ne tegye ki a lemezt közvetlen napfényre és hőforrásra. Ne hagyja lemezeket egy parkolt autó belsejében.
21. Ne érintse meg a címke nélküli lemez oldalát. A lemezt a szélénél fogja, hogy ne hagyja ujjlenyomatokat. Por, ujjlenyomatok, karcolások üzemzavart okozhatnak. Ne szereljen cetliket vagy szalagot a lemezen.
22. Az lemez tiszta, száraz ruhával tisztítható. Úgy kezdődik tisztítás lineárisan a városközponttól.
23. Hogy megakadályozzák az esetleges halláskárosodást, ne hallgass hangosan zenét egy hosszú ideig.



FIGYELEM: SUGÁRZÁS FORRÁSA



Ez a címke azt jelenti, hogy a készülék belsejét a lézer alkatrészek vannak. A fedelet megnyitása a biztonsági blokkolók mulasztásával, sugárzó veszélyt okozhat. Ne nézd meg a lézersugárra működés közben.

KÉSZÜLÉK BEKAPCSOLÁSA ELŐTT

Megjegyzések: kompaktlemezről

Mivel a piszkos, sérült vagy deformálódott lemezeket károsíthatják a készüléket, fordítson figyelmet az alábbiakra:

- a. Kompaktlemez amelyeket használni lehet. Csak lent említett lemezek használhatóak.
- b. Csak digitális audióval lemezek.

COMPACT
disc
DIGITAL AUDIO



FIGYELEM

Megfelelőség

A Blaupunkt Competence Center 2N-Everpol Sp. z o.o. kijelenti, hogy ez a készülék megfelel a 2014/53/EU irányelv alapvető követelményeinek és más vonatkozó rendelkezéseinek. A megfelelőségi nyilatkozat a termék honlapjáról szerezhető be: www.blaupunkt.com.

Felelős fél: 2N-Everpol Sp. z o.o., Puławska 403A, 02-801 Varsó, Lengyelország, telefon: +48 22 688 08 00, e-mail: info@everpol.pl



A termék kiváló minőségű anyagokból és alkatrészekből áll, újrahasznosíthatók és újra felhasználhatók.



Ha a készüléken áthúzott kerek kuka szimbólum látható, az azt jelenti, hogy a termékre a 2012/19/EU európai irányelv rendelkezései vonatkoznak. Ennek alapján kérjük, kövesse a helyi előírásokat, ismerkedjen meg a helyi elektromos és elektronikus hulladékgyűjtő rendszer követelményeivel, és e termék esetében tartsa be azokat.

EZT A TERMÉKET NE SZENVEDJE A HÁZTARTÁSI HULLADÉKOKHOZ!

EZ A TERMÉK VESZÉLYES ANYAGOT, KEVERÉKET ÉS ÖSSZETEVŐKET TARTALMAZ, AMELY ENGEDÉLYMENTESSÉGÉN A TERMÉSZETES KÖRNYEZETRE ÉS AZ EMBERI EGÉSZSÉGRE VONATKOZÓ POTENCIÁLIS HATÁSOK FORRÁSA LEHET!

A használt termék megfelelő ártalmatlanítása megakadályozza a környezetre és az emberi egészségre gyakorolt negatív hatásokat.



A készülék fel van szerelve akkumulátorral ami megfelel a 2006/66/EK európai irányelv követelményeinek. Ne dobja az elemet a normál háztartási szeméttel. Kérjük, olvassa el a követelmények a helyi rendszerről a hulladék elektromossal és elektronikus berendezésekkel kapcsolatos. Helyi követelmények szerint csinálni kell. Ne dobja a terméket a normál háztartási szeméttel.

Információ a környezetvédelemről

A csomag csak a szükséges elemeket tartalmaz. Minden erőfeszítést tettek, hogy a csomagolóanyag három összetevője könnyen elkülönített legyen: karton (doboz), polisztirol (belső biztonság) és polietilén (zacskó, védő lap). A készülék olyan anyagból készült, melyek újrahasznosíthatók és szétszerelhetőek. Kérjük, olvassa el a követelmények a helyi rendszerről a hulladék elektromossal és elektronikus berendezésekkel kapcsolatos.

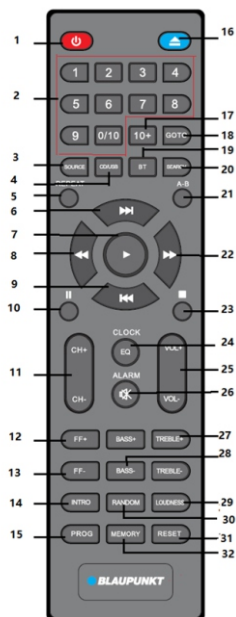
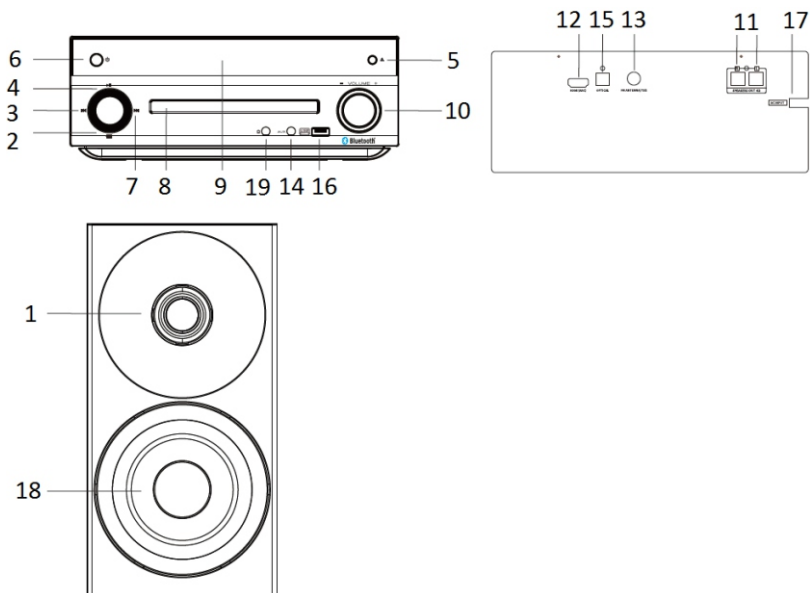
Felvételhez és lejátszáshoz engedélyre van szükség. Lásd a szerzői jogi törvényt, valamint az előadók / művészek jogairól.



A Bluetooth® szó márkajelzés és logó a Bluetooth SIG, Inc. bejegyzett védjegyei, és ezen márkajelzéseket engedéllyel használjuk. Más védjegyek és márkanevek a vonatkozó tulajdonoshoz tartoznak.

Köszönjük, hogy megvásárolta termékünket. Kérjük, a készülék használata előtt figyelmesen olvassa el a jelen használati útmutatót. A használati útmutatót későbbi igénybevétel céljából őrizze meg.

Vezérlőelemek elhelyezése



- 1 - Magassúgárzó; 2 - Hangforrás kiválasztó; 3 - „Előző” gomb;
 4 - „Lejátszás/szünet” gomb; 5 - CD-rekesz kiadás gomb; 6 - Készenlét gomb;
 7 - „Következő” gomb; 8 - CD rekesz; 9 - Kijelző;
 10 - hangerő gomb; 11 - csatlakozó hangszórókhoz (4 ohm);
 12 - HDMI (ARC) bemenet; 13 - FM antenna aljzat 75 ohm;
 14 - AUX IN aljzat; 15 - Optikai bemenet; 16 - USB aljzat;
 17 - AC tápcsatlakozó; 18 - Közép- és mélysugárzó;
 19- fejhallgató kimenet;

Távírányító

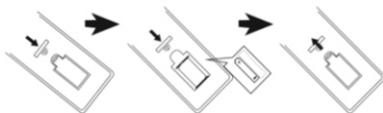
- 1—Bekapcsolás/kikapcsolás; 2—Numerikus gombok; 3—Forrás;
 4—CD/USB gomb
 5—Ismétlés (Minden zeneszám, egy zeneszám, mappa ismétlése, kikapcsolt ismétlés);
 6—Következő; 7—Lejátszás;
 8—Gyors hátratekerés; 9—Előző; 10—Szünet;
 11—Csatorna +/-; 12—FM sávzsélesség +; 13—FM sávzsélesség -;
 14—Intro mód gomb; 15—Programozás; 16—CD-rekesz kinyitása;
 17—10 +; 18—GOTO gomb; 19—Bluetooth;
 20—FM rádióállomás keresés; 21—Zeneszám A-B szakaszának ismétlése;
 22—Gyors előretekérés; 23—Stop;
 24—Óra/EQ (Music-Game-News-Movie) 25—Hangerő +/-;
 26—Ébresztő/némítás; 27—Magas hangok beállítása +/-;
 28—Mély hangok beállítása +/-; 29—Hangerő;
 30—Véletlenszerű lejátszás bekapcsolva/kikapcsolva;
 31—Reset; 32—Memória;

A hangszórók és a tápegység csatlakoztatása

1. A hangszóróknak a főegységhez való csatlakoztatásához helyezze a hangszórókábel csatlakozóját a főegység házának hátlapján található hangszóróaljzatba. Csatlakoztassa a bal oldali hangszórót az L jelöléssel ellátott aljzathoz, a jobb oldali hangszórót pedig az R jelöléssel ellátott aljzathoz.
2. Ellenőrizze, hogy az áramforrás megfelel-e a főegység és a vezeték nélküli mélyugárzó hátlapján található feszültségre. Ha nem egyezik meg, kérjük, forduljon a forgalmazóhoz vagy a szervizhez.
3. Csatlakoztassa a főegység tápkábelét konnektorhoz, a tápellátás bekapcsolása után a kijelző világitani fog, és megjeleníti az idő formátumát.
4. Ha a rendszert hosszabb ideig nem használja - húzza ki a tápkábeleket, hogy teljesen megszüntesse az áramellátást.

Távírányító elemének behelyezése

Nyissa ki az elemtartó fedelét és helyezzen be 2 db. AAA elemet (a készlet tartalmazza); ügyeljen arra, hogy az elemek pólusai megfeleljenek az elemtartóban dombornyomott szimbólumoknak. Ezt követően zárja be az elemtartó fedelét.



Megjegyzések:

- a. A távírányító működési távolsága 7 méter (készülékek közötti akadály nélkül). A távírányítót használat közben irányítsa a váltóáramú áramforráshoz; A tápellátás teljes kikapcsolásához húzza ki az AC dugót. A készenléti állapot be- és kikapcsolásához nyomja meg a bekapcsológombot az előlő panelen vagy a távírányítón.
- b. A távírányító érzékenysége az elem merülésevel arányosan fog csökkenni. A távírányító helyes működésének helyreállításához helyezzen be egy új elemet.
- c. Ha a távírányító hosszabb ideig használaton kívül marad, vegye ki belőle az elemet.
- d. Az elemet környezetudatos módon hasznosítsa újra. Tájékozódjon a helyi, újrahasznosításra vonatkozó előírásokról.

Általános kezelés

- 1. Tápellátás bekapcsolása / kikapcsolása és készenléti állapot:** A kijelző kigyullad, amikor a készülék sikeresen csatlakozik a váltóáramú áramforráshoz; A tápellátás teljes kikapcsolásához húzza ki az AC dugót. A készenléti állapot be- és kikapcsolásához nyomja meg a bekapcsológombot az előlő panelen vagy a távírányítón.
- 2. Némítás:** A hang elnémítéséhez nyomja meg a távírányítón a MUTE gombot; a lejátszás folytatásához ismét nyomja meg a gombot. A lejátszás a hangerő +/- gomb megnyomásával is folytatható.
- 3. Lejátszási mód kiválasztása:** a CD / USB / FM / AUX IN / Bluetooth / HDMI / optikai bemenet hangforrások közötti átkapcsoláshoz nyomja meg néhányszor a SOURCE gombot. A CD és USB módok közötti váltáshoz nyomja meg a távírányítón a CD / USB gombot. A funkciók előhívásához nyomja meg a hangforrás kiválasztása gombot az előlő panelen.
- 4. Hangerő beállítása:** a hangerő növeléséhez vagy csökkentéséhez nyomja meg a VOL +/- gombot a távírányítón vagy forgassa el az előlő panelen található gombot.
- 5. Hangszínszabályozás:** a Music-Game-News-Movie equalizer módok közötti átváltáshoz nyomja meg az EQ gombot.
- 6. Magas és mély hangok szabályozása:** A kimeneti zenelejátszás magas és mély hangjainak beállításához röviden nyomja meg a távírányítón a magas +/- vagy mély +/- gombot.
- 7. 0 ~ 9 numerikus gombok és 10+ gomb:** Adja meg a megfelelő számokat és várjon egy keveset. A készülék ezt követően a kiválasztott zeneszámot fogja lejátszani. A 10 + gomb megnyomása lehetővé teszi 10 zeneszám átugrását, ha az adattároló több mint 10 zeneszámot tartalmaz; Ez a funkció CD és USB lejátszás esetén érhető el.
- 8. Lejátszás, szünet és leállítás:** A lejátszás szüneteltetéséhez vagy folytatásához CD / USB / Bluetooth módban nyomja meg a lejátszás/szünet gombot; A lejátszás leállításához CD és USB módban nyomja meg a stop gombot, a zenelejátszás folytatásához pedig a lejátszás gombot.
- 9. Előző és következő, előretekerés és hátratekerés:** az előző/következő gomb rövid megnyomása az előző vagy következő zeneszám lejátszását eredményezi; az adott zeneszám előre vagy hátratekeréséhez tartsa lenyomva az előző/következő gombot távírányítóról dajljnksngg upravljača. A gomb felengedése után a zenelejátszás normál módban folytatódik.
- 10. Lejátszás ismétlése:** Egy zeneszám ismétléséhez, mappa ismétlése, az adathordozón található összes zeneszám ismétléséhez vagy az ismétlés kikapcsolásához CD és USB módban nyomogassa az ismétlés gombot;
- 11. Véletlenszerű lejátszás:** a véletlenszerű lejátszás bekapcsolásához vagy kikapcsolásához nyomja meg az ismétlés gombot.
- 12. CD-lemez behelyezése:** A CD tároló fedelének kinyitásához nyomja meg a CD fedélynitő gombot, majd helyezze be a lemezt. A CD fedelének bezárásához ismét nyomja meg a gombot.
- 13. Loudness:** nyomja meg ezt a gombot a hangszín felerősítéséhez.
- 14. Fejhallgató:** Csatlakoztassa a fejhallgatót az előlő panelen található fejhallgató-csatlakozóhoz, a fejhallgató csatlakoztatása után a hangszórók hangja elnémül és csak a fejhallgatóból lesz hallható. Állítsa be a hangerőt.
- 15. A zeneszám egy kiválasztott szakaszának ismétlése:** a szakasz kezdetének meghatározásához röviden nyomja meg CD / USB módban a távírányító A-B gombját. A szakasz végének meghatározásához ismét nyomja meg ugyanezt a gombot; a

készülék ezt követően megismétli a zeneszám meghatározott szakaszának lejátszását. A normál lejátszás folytatásához ismét nyomja meg az A-B gombot.

16. Rendszer alaphelyzetbe állítása: CD módban nyissa ki a CD rekeszt (bezárás nélkül), nyomja meg és tartsa lenyomva 3 másodpercig a visszaállító gombot a „reset” (visszaállítás) felirat megjelenítéséig a kijelzőn. A rendszer ekkor visszaáll.

CD-lemez lejátszása

Ez a modell CD / CD-R-R lemezt (a készülék DVD lemez olvasására nem képes), valamint MP3 / WMA audió formátumú zenefájlokat képes lejátszani. CD-lemez lejátszása előtt ellenőrizzé, hogy a lemez szennyeződés és karcmentes, ellenkező esetben a CD-lemez nem megfelelően, vagy nem kívánatos hangok kíséretében kerül lejátszásra.

1. CD mód bekapcsolásához nyomja meg néhányszor a hangforrás kiválasztó gombot, vagy a távirányítón található CD/USB gombot.
2. A CD fedél kinyitásához nyomja meg a fedélnyitó gombot, helyezze be a lemezt, majd zárja le a fedelet. A készülék automatikusan leolvassa és lejátszza a CD-lemez tartalmát.
3. Hozzon létre saját lejátszási listát (CD-lemez esetében maximum 20 zeneszám, WMA / MP3 lemezek esetében 99 zeneszám programozható be)
 - a. Lejátszási lista létrehozásához CD-lemez lejátszásakor nyomja meg először a stop gombot, majd a programozás gombot.
 - b. A kijelzőn „XXX PXX” felirat jelenik meg. A beprogramozni kívánt zeneszám kiválasztásához nyomja meg az előző / következő, vagy a 10+ gombot, majd a jóváhagyáshoz nyomja meg a programozás gombot.
 - c. Ezt követően a kijelzőn megjelenik a beprogramozott zeneszám, majd lehetővé válik a következő zeneszám beállítás. Példaképpen a „006 P01” azt jelzi, hogy a 6-os számú zeneszám a 01-es memóriahelyen került elmentésre.
 - d. A többi zeneszám beállításához ismételje meg a „b” és „c” lépést, amíg a kijelzőn meg nem jelenik a „FULL” felirat.
 - e. Ezt követően a beprogramozott lista lejátszásához nyomja meg a lejátszás gombot. A beprogramozott lejátszási lista törléséhez nyomja meg a duplut nyomja meg kétszer a leállítás gombot, vagy vegye ki a CD-lemezt.
4. CD lejátszásakor az alábbi funkciók választhatók: ismétlés és szünet, stop, némítás, véletlenszerű ismétlés, zeneszám kiválasztása, EQ funkció, előre- és hátratekerés, gyors kiválasztás a numerikus gombok segítségével, stb. Olvassa el a jelen útmutatóban található, általános használatra vonatkozó utasításokat.

FM rádió használata

FM rádió hallgatása előtt a jobb vétel érdekében csatlakoztassa a mellékelt FM antennát a hátsó panelen található FM antenna bemenethez vagy helyezze a készüléket ablak közelébe.

1. Rádióállomások automatikus keresése és elmentése: Az FM rádió mód bekapcsolásához nyomja meg néhányszor a hangforrás gombot; az elérhető rádióállomások automatikus kikereséséhez és elmentéséhez röviden nyomja meg az elülső panelen található FM rádióállomás keresés gombot, vagy a lejátszás/szünet gombot (2 másodperc). A készülék maximum 40 rádióállomás elmentésére képes. Az elmentett rádióállomás kiválasztásához röviden nyomja meg a távirányítón vagy nyomja meg a távirányítón a csatorna +/- gombot vagy egy numerikus gombot.

2. Kézi hangolás vagy automatikus keresés: A frekvencia 0,1 MHz-el való növeléséhez vagy csökkentéséhez nyomja meg röviden az FF +/- gombot; az elérhető FM rádiócsatorna felfelé vagy lefelé történő kikereséséhez tartsa lenyomva 2 másodpercig az FF +/- vagy a „következő” / „előző” gombokat az elülső panelen. A keresés leáll és automatikusan lejátszásra kerül az elérhető rádiócsatorna.

3. Rádióállomások kézi mentése: a kedvenc rádióállomás kézi hangolással vagy automatikus kereséssel való beállítás után a memóriahely számának megváltoztatásához először nyomja meg a memória gombot a távirányítón. A kijelzőn a memóriahely száma villogni fog. A szám megváltoztatásához használja az csatorna +/- gombokat. A szám jóváhagyásához nyomja meg a memória gombot. Az éppen lejátszott FM rádióállomás elmentésre kerül. További rádióállomás elmentéséhez járjon el ugyanígy.

4. Konkrét frekvencia beállítás: először nyomja meg a távirányítón a GOTO gombot, majd a numerikus gombok segítségével adja meg a konkrét FM rádióállomás frekvenciáját (pl. 1-0-4-3), majd indítsa el a lejátszást.

USB funkció használata

A készülék USB-lejátszási funkcióval rendelkezik, amely képes hordozható USB-tárhelyről zenét dekódolni és lejátszani. A művelet megkezdése előtt másolja át az MP3 / WMA formátumú zenefájlokat egy USB adathordozóra. A készülék maximum 32 GB tárhellyel rendelkező adathordozó leolvasására képes.

1. Az USB-ről történő lejátszás előtt ellenőrizze le, hogy az adathordozó megfelelően lett-e csatlakoztatva az USB aljzathoz. A hangforrás kiválasztó gombbal vagy a távirányító CD / USB gombjával kapcsolja át a készüléket USB módba. A készülék néhány másodperc elteltével automatikusan elkezd a zeneszámok dekódolását és lejátszását.

2. USB módban az alábbi funkciók vehetők igénybe: lejátszás és szünet, stop, némítás, ismétlés, hangszínszabályozás, előre- és hátratekerés, stb. Olvassa el a jelen útmutatóban található, általános használatra vonatkozó utasításokat.

Megjegyzések:

- a. USB adattároló USB hosszabbítóval való csatlakoztatása nem ajánlott, mivel az a hangjel küldések aradvesztéséget okozhat, ami miatt a lejátszás zajosabb vagy szaggatottá válhat.
- b. Nem garantált mindegyik MP3 / WMA fájl dekódolása.
- c. Az USB tárhely maximális kapacitása 32 GB lehet.
- d. Némelyik USB adathordozó dekódolása és lejátszása több időt vehet igénybe; tartsa szem előtt, hogy ez nem jelent meghibásodást.

Bluetooth funkció használata

Ez a termék Bluetooth funkcióval rendelkezik, amely lehetővé teszi a vezeték nélküli zenelejátszást egy másik, Bluetooth funkcióval rendelkező készülékről.

1. A Bluetooth mód bekapcsolásához nyomja meg néhányszor a hangforrás kiválasztó gombot. A kijelzőn a „BLUE-T” felirat jelenik meg. Aktiválja a Bluetooth funkciót a külső eszközön és keresse ki az elérhető készülékeket (lásd külső eszköz használati útmutatója), majd tekintse meg a találati listát.
2. A párosításhoz válassza a „BP MS30.2BT” lehetőséget. A Bluetooth-eszközhöz való sikeres csatlakozás után abbamarad a BLUE-T üzenet villogása a kijelzőn.
3. Indítsa el a zenelejátszást a külső Bluetooth készüléken. A hang a termék hangszórójából fog szólni.

4. Az előző vagy következő zeneszám lejátszásához nyomja meg a következő / előző gombot.
5. Bluetooth módban az alábbi funkciók vehetők igénybe: lejátszás / szünet, némítás, hangszínszabályozás, stb. Olvassa el a jelen útmutatóban található, általános használatra vonatkozó utasításokat.
6. Az előlapon lévő lejátszás/szünet gomb hosszá (3 másodperc) megnyomásával megszakíthatja a párosítást az aktuális Bluetooth-eszközzel.

Megjegyzés:

- a. Az eltérő szerkezetekre és gyártókra való tekintettel nem garantált mindegyik Bluetooth készülék megfelelő párosítása.
- b. A Bluetooth működési távolsága akadályok nélkül max. 10 méter.
- c. A készüléket egyszerre egy Bluetooth készülékkel lehet párosítani.
- d. Egy másik készülékkel való csatlakozás előtt szüntesse meg az aktuális Bluetooth kapcsolatot. Ellenkező esetben a „BP MS30.2BT” nem fog megjelenni a csatlakoztatható készülékek listáján.

Digitális bemenetek

Ez a modell digitális optikai és HDMI (ARC) bemenettel rendelkezik, amely lehetővé teszi a TV-hez vagy más kompatibilis külső eszközhöz való csatlakoztatást hanglejátszás végett.

Optikai bemenet: A TV vagy más eszköz kimeneti portját optikai kábellel (a készlet nem tartalmazza) csatlakoztassa a modellbe épített optikai aljzathoz. Az optikai beviteli mód bekapcsolásához nyomja meg többször a forrás-kiválasztó gombot. Ellenőrizze és állítsa be mind a készülék, mind a TV vagy egyéb külső eszköz hangerejét, válassza ki és játssza le a kívánt tartalmat, majd a hang ezen a készüléken kerül lejátszásra.

HDMI (ARC) bemenet: Ez a modell támogatja az ARC HDMI csatlakozást (audió visszacsatolás); Ha a TV HDMI-kompatibilis (a részleteket lásd a TV specifikációjában), akkor a TV-ből érkező hang a jelen készülék hangszóróin játszható le. Csatlakoztassa az eszközt TV-hez a HDMI-kábel (a készlet nem tartalmazza) segítségével, nyomja meg többször a modell forrás-kiválasztó gombját a HDMI-üzemmódba való belépéshez, vagy a forrás a TV sikeres csatlakoztatásakor és bekapcsolásakor automatikusan HDMI-üzemmódba kapcsol. Állítsa be a hangerőt, válassza ki és játssza le a tartalmat a TV-n, majd a kiválasztott program hangja a jelen készülék hangszóróiból fog szólni.

Figyelem!

- a. Digitális bemenet (optikai és HDMI ARC) üzemmódban állítsa a TV vagy külső eszköz hangkimenetét „PCM stereo”-ra vagy „stereo 2.0”-ra (részletek a TV vagy külső eszköz útmutatójában), ellenkező esetben a készülék nem játssza le a hangot.
- b. Győződjön meg arról, hogy a TV támogatja a HDMI ARC használatát. Előfordulhat, hogy a TV több HDMI-porttal is rendelkezik, ezért ellenőrizze és megfelelően csatlakoztassa a HDMI-ARC kimeneti portot. Általában az HDMI ARC-ot támogató port mellett megtalálható az erre utaló információ (ellenőrizze a TV útmutatójában vagy specifikációjában).
- c. HDMI-kábel kiválasztásakor és vásárlásakor győződjön meg arról, hogy az támogatja a HDMI V1.3 vagy újabb szabványt, és 19 eres.
- d. Ha nincs hang vagy a kimeneti jel szaggat, ellenőrizze a fenti utasítások teljesülését és győződjön meg, hogy a mikrotorony és a külső eszköz közötti kapcsolat megfelelő.
- e. Digitális bemeneti jellegűzés üzemmódban a távirányítón keresztül elérhető a hangerőszabályzó/hangszínszabályzó beállítása/némítás funkció stb.

LINE IN funkció használata (AUX IN)

Egyéb lejátszóról történő zenelejátszásához az alábbi lépéseket hajtsa végre:

1. A készlet részét képező audió kábel (3,5mm – 3,5mm stereo) egyik végét csatlakoztassa a készülék található AUX IN (3,5mm sztereó típusú) a elől panelén csatlakoztassa a külső készülék vezetékes kimenetéhez vagy fejhallgató aljzatához. A hangforrás gomb segítségével válassza ki a AUX IN módot.
2. Indítsa el a zenelejátszást a külső készüléken. A hang a termék hangszórójából fog szólni.
3. AUX IN módban a vezérlésért a külső zenelejátszó készülék felel. A termékek csak a hangerő beállítás, hangszínszabályozás és némítás funkció vehető igénybe.

Idő és ébresztés (ébresztés lejátszása és automatikus lejátszás) beállítása

A készülék idő- és ébresztésbeállításával gondatlanul élvezheti a személyre szabott ébresztési időt, mivel a beállított időpontban automatikusan kedvenc zenéje szólalhat meg.

- 1. Óra beállítása:** Készenléti üzemmódban, tartsa lenyomva a távvezérlő óra gombját néhány másodpercig a beállítás megnyitásához, ekkor a 24 órás időformátum villogni kezd a kijelzőn. Az előző és következő gombbal válasszon a 12/24 órás időformátumok között, majd nyomja meg csatorna + / - a kiválasztás megerősítéséhez. Az óra számjegyei villogni kezdenek a kijelzőn, csatorna + / - ismételt meg gombbal állítsa be az órát nyomásával erősítse meg a kiválasztást. Ekkor a perc számjegyei kezdenek villogni a kijelzőn, meg csatorna + / - gombbal állítsa be a percet, majd az óra gomb
- 2. Ébresztési idő beállítása:** az időbeállítási felületen tartsa lenyomva a távvezérlő ébresztés gombját néhány másodpercig a beállítás elindításához, ezt követően a kijelzőn megjelenik az ébresztési idő; nyomja meg a + / - csatornaváltó gombot a kívánt ébresztési idő beállításához, majd nyomja meg az óra gombot a választás megerősítéséhez; most lépjen tovább a többi paraméter beállításához: percek/ébresztő hangforrás (FM/CD/USB)/ébresztési hangerő, ami hasonló művet, mint az ébresztő idejének beállítása. Nyomja meg ismét a riasztás gombot a kiválasztás megerősítéséhez és befejezéséhez.

Megjegyzések:

- a. Az idő- és ébresztésbeállítás csak akkor elérhető, ha a készülék hálózati áramról üzemel. Áramkimaradás esetén a beállításokat újra meg kell adni.
- b. Az ébresztő megfelelő beállítása után az ébresztő ikon jelenik meg a kijelzőn. Az „ALARM” gomb készenléti állapotban való rövid megnyomása kikapcsolja az ébresztőt.
- c. Az ébresztési időpont elérkezésekor a készülék automatikusan lejátsza a kiválasztott forrást (CD/FM-rádió/USB), az ébresztő kikapcsolásához nyomja meg a bekapcsológombot.

Problémák elhárítása

1. A készüléket nem lehet bekapcsolni.
 - a. Ellenőrizze, hogy a tápkábel megfelelően van csatlakoztatva a fali aljzathoz.
 - b. Probléma esetén forduljon a szervizközponthoz.
2. Nincs hang.
 - a. Próbálja meg beállítani a hangerőt.
 - b. Ellenőrizze, hogy a megfelelő lejátszási mód van kiválasztva.
 - c. Probléma esetén forduljon a szervizközponthoz.
3. Nem lehet CD-lemezt lejátszani.
 - a. Próbáljon meg lejátszani egy másik CD / CD-R-RW / MP3 / WMA formátumú CD-lemezt.
 - b. Próbálja megtisztítani a CD-lemezt.
 - c. Probléma esetén forduljon a szervizközponthoz.
4. Háttérzaj FM módban.
 - a. Húzza ki teljesen az FM antennát és próbálja meg más irányban beállítani.
 - b. Helyezze a készüléket ablak közelébe.
 - c. Válasszon ki másik frekvenciát.
5. Szaggatott lejátszás Bluetooth módban.
 - a. Próbálja meg a Bluetooth készüléket közelebb helyezni a termékhez.
 - b. Próbálja meg ki- és bekapcsolni a Bluetooth funkciót a külső készüléken.
6. A távirányító nem megfelelően működik.
 - a. Irányítsa a távirányítót a kijelző bal oldalán található érzékelő felé.
 - b. Az alacsony töltöttségre való tekintettel cserélje ki az elemet.

Műszaki adatok

Tápellátás: AC 110-240 V, 50/60 Hz
Az alábbi CD-lemezekkel kompatibilis: CD / CD-R-RW / MP3 / WMA
FM sávzélesség: 87,5-108,0 MHz
USB paraméterek: 5 V, 500 mA, 2,0 verzió, max. 32 GB kapacitású adattároló kezelése
Bluetooth: 5,0, működési távolság: 10 méter
HDMI ARC V2.0 bemenet, 1 x optikai bemenet.
RMS kimeneti teljesítmény: 2 x 25 W
Energiafogyasztás: 60W összesen
Áramfogyasztás készenléti állapotban: <0,5W;
(Figyelem: a fenti adatok előzetes értesítés nélkül módosulhatnak)

VAŽNE SIGURNOSNE UPUTE



UGROŽENJE OD ELEKTRIČNOG
UDARA NEMOJTE OTVARATI

Oprez:

Kako bi se smanjila opasnost od električnog udara, nemojte skidati poklopac niti stražnji dio uređaja. Unutar uređaja ne postoje komponente za popravak od strane korisnika. Održavanje i popravak opreme izvršava isključivo kvalificirano servisno osoblje.

Objašnjenje grafičkih simbola:

Simbol munje sa sa strelicom koji se nalazi u jednakostraničnom trokutu upozorava na prisutnost neizoliranog, opasnog napona unutar kućišta uređaja koja može postići veličinu uzrokujuću strujni udar.



Uskličnik unutar jednakostraničnog trokuta upozorava korisnika da ovdje su prezentirane važne poruke za rad i održavanje opreme u dokumentaciji priloženoj uređaju.

Pročitajte ovaj priručnik prije uporabe uređaja da se upoznate sa značajkama i kako koristiti uređaj sukladno namjeni. Ovo će osigurati dugotrajan, besprijekoran rad uređaja i zadovoljstvo uz korištenje.

Važne informacije

- Sačuvajte operativne upute i sigurnosne informacije kako bi se ih moglo koristiti u budućnosti.
- Nemojte dopustiti da na uređaj kapa ili proliva se bilo koja tekućina.
- Ne smijete se također koristiti na vlažnim mjestima, kao što su npr. kupaoonica.
- Ne postavljajte uređaj na sljedećim mjestima:
- Izložen suncu ili blizu grijalica.
- Na vrh druge stereo opreme koja generira toplinu.
- Tako da blokira ventilaciju ili u prašnojavi mjestu.
- U okruženju izloženom neprekidnim vibracijama.
- U područjima visoke vlage.
- Ne postavljajte uređaj blizu otvorenog plamena ili otvorene vatre.
- Uređaj se može koristiti samo na način opisan u ovim uputama.
- Prije prvog uključivanja napajanja, pobrinete se da je napajanje ispravno pripojeno.
- USB memoriju se pripaja neposredno ili preko produžnog USB kabela s dužinom do 25 cm.

Iz sigurnosnih razloga, nemojte skidati poklopce ili pristupiti unutrašnjosti uređaja. Uređaj smije popravljati samo kvalificirano servisno osoblje.

Nemojte rastavljati uređaj ili otvarati njegovo kućište, jer unutra nema dijelova koje bi se moglo popraviti od strane korisnika. ržavanje i popravak opreme izvrši isključivo kvalificirano servisno osoblje.

Sigurnosne upute

1. Pročitajte upute - prije uporabe stroja, pročitajte sve upute i informacije o sigurnosti.
2. Sačuvajte ove upute - zadržite upute za upotrebu i održavanje kako bi se ih moglo koristiti u budućnosti.
3. Poštujte upozorenja - slijedite sva upozorenja objavljena na uređaju te koje se nalaze u uputama.
4. Slijedite upute - slijedite upute i preporuke za korisnike.
5. Montaža - montirajte uređaj prema uputama proizvođača.
6. Izvori energije - uređaj treba napajati samo iz izvora koji je naveden na naljepnicama na kabelu napajanja. Ako niste igurni koju vrstu napajanja ima vaša kuća, obratite se prodavatelju ili lokalnoj energetskoj tvrtki.
7. Uzemljenje ili polarizacija napajanja - uređaj ne mora biti uzemljen. Provjerite je li utikač potpuno umetnut u utičnicu ili u produžni kabel, kako bi se spriječilo otkriće igle ili kontakata. Neke verzije stroja mogu biti opremljene polariziranim utikačem izmjenične struje (jedna lopatica je šira). Ovaj utikač se može umetnuti u utičnicu samo na jedan način. Ovo je sigurnosna značajka. Ako ne možete staviti utikač u utičnicu, pokušajte ga okrenuti. Ako utikač i dalje ne odgovara utičnici, pozovite električara da to promijeni. Ne skidajte zaštitu polariziranog utikača. Kada koristite produžni kabel ili kabel za napajanje osim isporučenog s uređajem morate imati odgovarajuće čepove i potvrdu o sigurnosti potrebnu za određenu zemlju upotrebe.
8. Osiguranje kabela za napajanje - energetski kabeli moraju biti preusmjereni na takav način kako ne bi se moglo kroz njih hoditi, pritiskivati ili obrezivati bilo kojim postavljanim objektima. Obratite posebnu pozornost na utikače, utičnice i mreže, gdje kabeli izlaze iz uređaja.
9. Preopterećenja - nemojte preopteretiti zidne utičnice, produžne kabele i električne distributere, jer ovo baš može dovesti do požara ili strujnog udara.
10. Ventilacija - uređaj mora biti pravilno provjetran. Ne postavljajte uređaj na krevet, kauč ili drugu sličnu površinu. Nemojte prekrivati stroj stolnjakom, salvetom, novinama i sl.
11. Vrućina - nemojte postavljati uređaj u blizini izvora topline kao što su grijači, radijatori, peći i ostali uređaji (pojačala) koji stvaraju toplinu. Ne stavljajte na uređaj upaljenih svijeća i drugog otvorenog plamena.
12. Voda i vlaga - kako bi se smanjio rizik od požara ili električnog udara, nemojte izlagati uređaj kiši, vlazi i vodi, na primjer u sauni ili u kupaonici. Ne koristite ovaj proizvod u blizini vode, primjerice blizu kade, umivaonika, sudopera ili kade za pranje rublja, u vlažnom podrumu ili blizu bazena (ili u drugim sličnim mjestima).

14. Čišćenje - uvijek prije čišćenja isključite uređaj iz zidne utičnice. Prašinu oko zvučnika se može ukloniti suhom krpom. Ako za čišćenje će se koristiti sredstvo u obliku aerosola, sprej ne bi se smjelo da bude usmjeren izravno na stroj, ali tkaninu. Budite oprezni da ne oštetiti pogonske jedinice.
15. Dodatna oprema - nemojte koristiti pribore koji nisu odobreni od strane proizvođača, jer mogu predstavljati prijetnju za rad uređaja i za samog korisnika.
16. Pribori - nemojte postavljati uređaj na nestabilne kolicke, stalku, tronožcu, nosaču ili stolu. Uređaj se može kotrljati i oštetiti se ili uzrokovati ozbiljne ozljede djece ili odraslim osobama. Koristite samo kolicke, stalke, tronožce, nosače ili stolove kojih preporučuje proizvođač ili se ih prodaje zajedno s uređajem. Montažu uređaja se mora provesti u skladu s uputama proizvođača, koristite pribore za ugradnju oobrene od strane proizvođača.
17. Premještanje stroj - uređaj postavljen na kolicama mora se premješati vrlo pažljivo. Naglo zaustavljanje, previša sila i neravne površine mogu uzrokovati da kolica s uređajem prevrne.
18. Vrijeme bez korištenja uređaja – kabel napajanja mora biti isključen iz zidne utičnice tijekom grmljavinskog nevremena ili ako se ga ne koristi duže vrijeme.
19. Servisiranje - ne pokušavajte pogledati unutrašnjost uređaja sami. Otvaranje poklopca može uzrokovati opasne napone i izložiti vas drugim opasnostima. Održavanje i popravak opreme vrši isključivo kvalificirano servisno osoblje.
20. Kada stroj nije u uporabi, izvucite mrežni utikač iz zidne utičnice. Kad je uređaj pripojen na izvor napajanja, uređaj je u stanju čekanja i nije u potpunosti isključen.
21. Rezervni dijelovi – tijekom zamjene dijelova, treba provjeriti dla li serviser je koristio rezervne dijelove koje preporučuje proizvođač ili dijelove koje su identične originalnim dijelom. Izrada zamjene neodobrenih rezervnih dijelova ugrožava od požara, strujnog udara ili drugih opasnosti.
22. Glavni osigurači – da bi se konstantno osiguralo uređaj od požara, koristite osigurače samo odgovarajuće vrstu i određenih parametara. Parametri osigurača u rasponu napona su označeni na uređaju.
23. Ne smije se da se poveća glasnoću dijela kad se sluša dio s niskom glasnoćom ili u slučaju odsutnosti ulaznog audio signala. Inače, s naglim porastom snage signala možete oštetiti zvučnik.
24. Jedini način da isključite uređaj iz izvora napajanja je takav da odspojite mrežni kabel iz zidne utičnice ili uređaja. Električna utičnica ili kabel ulazne snaga na uređaju mora biti uvijek na raspolaganju kada koristite proizvod.
25. Uređaj bi trebao biti instaliran u blizini utičnice napajanja ili produžnog kabela na takav način su oni uvijek na raspolaganju.
26. Maksimalna temperatura okoline uređaja je 35°C
27. Savjeti za elektrostatička pražnjenja - ako se rad prekine zbog elektrostatičkog pražnjenja, isključite uređaj ponovno ili premjestiti ga na drugo mjesto.
28. Baterija
 - a. Baterije se ne smije izlagati pretjeranoj toplini, npr. suncu, vatri i sličnim uvjetima.
 - b. Kod zbrinjavanja baterije, obratite pažnju na aspekte okoliša.
 - c. Ponašajte se oprezno tijekom korištenjem baterija: kako bi se spriječila curenje baterije, koje može uzrokovati ozljede ili oštećenja na uređaju:
 - , Pri umetanju baterija obratite pažnju na polaritet (+ i -).
 - , Nemojte koristiti različite baterije u isto vrijeme - stare i nove, alkalne baterije, standardne itd.
 - , Izvadite baterije iz uređaja kad se ga neće koristiti duže vrijeme.

UPOZORENJE

Uređaj ne smije biti korišten od strane osoba (uključujući djecu) sa smanjenim fizičkim, osjetljivim ili mentalnim sposobnostima te osoba s nedovoljnim znanjem i iskustvom, ako nisu one pod nadzorom osobe odgovorne za njihovu sigurnost i nisu obučeni o tome kako sigurno koristiti uređaj. Prisutnost odraslih je potrebna ako uređaj koriste djeca; ovo će osigurati sigurnu uporabu uređaja.

1. Nikada ne ostavljajte stroj da radi bez nadzora! Isključite uređaj kada nije u uporabi, čak i za kratko vrijeme.
2. Uređaj se ne može upravljati putem vanjskog sata s timerom, ili posebnim sustavom daljinskog upravljanja.
3. Da bi se izbjegla opasnost u slučaju štete za zamjenu kabela napajanja treba se obratiti proizvođaču, ovlaštenom servisu ili drugim stručnim osobama.
4. Prije uporabe uređaja, provjerite je li napon odgovara naponu koji je nastao u mrežnom naponu.
5. Nemojte prekrivati ventilacijske otvore uređaja, npr. papirom, tkaninama, zavjesama, itd. Uvjerite se da uređaj ima najmanje 20 cm slobodnog prostora, a na svakoj strani - najmanje 5 cm.
6. Nemojte dopustiti da na uređaj kapaju ili prolijavu tekućine, te nemojte stavljati posude sa tekućinom, poput vaza.
7. Kako biste spriječili požar ili strujni udar, uređaj mora biti zaštićen od žarišta, kiše, vlage i prašine.
8. Ne postavljajte uređaj blizu izvora vode, npr. slavine, kade, bazena ili perlice rublja. Staviti uređaj na ravnu i stabilnu površinu.
9. Nemojte da uređaj izlažite jakim magnetskim poljima.
10. Nemojte da uređaj stavljajte izravno na pojačalu ili prijammiku.
11. Ne postavljajte uređaj na vlažnom mjestu, jer vlaga ima štetan učinak na električne komponente.
12. Dovođenje uređaja iz hladnog u toplo vlažnom mjestu može uzrokovati kondenzaciju na leći unutar playera. U ovom slučaju, uređaj neće raditi ispravno. Uređaj se mora ostaviti uključen oko jedan sat kako bi se omogućilo isparavanje vlage.
13. Izbjegavajte korištenje kemijskih otapala, jer mogu oštetiti boju kućišta. Uređaj se obriše čistom, suhom ili vlažnom krpom.
14. Prilikom uklanjanja utikača iz zidne utičnice, uvijek povucite utikač, a ne kabel.
15. Kada uređaj se koristi u blizini uključenog televizora, ovo može biti izvor buke ili slike u obliku linije na zaslonu uređaja. Ovo ovisi o propusnosti emitiranja valova. To ne označava kvar uređaja ili televizora, ako vidite takve linije, pomaknite uređaj dalje od TV prijemnika.
16. Mrežni utikač se upotrebljava za isključivanje napajanja zato mora biti uvijek na raspolaganju.
17. Da bi ostala laserska glavu za čitanje CD-ploča čista, ne dirajte nju i uvijek zatvorite ulagač diska.
18. Tijekom reprodukcije, disk rotira velikom brzinom. NEMOJTE dizati ili pomicati uređaj tijekom reprodukcije, jer to može dovesti do oštećenja diska ili samog uređaja.
19. Prije premještanja uređaja na drugo mjesto ili za vrijeme za prelazak, izvadite disk i zatvorite ulagač diska. Zatim isključite napajanje i izvucite naponski kabel. Premještanje uređaja s diskom u ulagaču može uzrokovati štetu.

20. Nakon reproduciranja disk treba da bude smješten u paketu. Ne izlažite diskove izravnom sunčevom svjetlu i izvorima topline. Ne ostavljajte ploče u automobilu parkirano na izravnom suncu.
21. Nikad ne dirajte disk sa strane bez naljepnice. Držite rub ploče, da ne ostavite otiske prstiju. Prašina, otisci prstiju ili ogrebotine diskova mogu uzrokovati pogrešan rad uređaja. Ne liježite ljepljivu traku na disk.
22. Za čišćenje diska koristite čistu krpu bez dlačica. Počnite s čišćenjem o linearnom kretanju od središta prema rubu ploče, koristeći sredstva za čišćenje ili antistatička sredstva za vinilne ploče.
23. Da biste spriječili mogući gubitak sluha, ne slušajte glasno glazbu kroz duže vrijeme.



UPOZORENJE: IZVOR ZRAČENJA

CLASS 1 LASER PRODUCT
LUOKAN 1 LASERLAITE
KLASS 1 LASERAPPARAT

COMPACT
disc
DIGITAL AUDIO

Ova oznaka ukazuje na to da unutar uređaja se nalaze laserski komponenti. Otvaranje poklopca CD pretinca i izostavljanje bravi može uzrokovati izlaganje korisnika laserskom zračenju. Ne gledajte u lasersku zraku za vrijeme rada.

PRIJE POSLA

Napomene o diskovima.

Prljavi, oštećeni ili deformirani diskovi mogu uzrokovati oštećenja na uređaju, obratite pozornost na sljedeće:

- a. CD koji možete koristiti. Možete koristiti samo diskove navedene u nastavku.
- b. CD isključivo s digitalnim audio zvukom.

NAPOMENA



Izjava

Niže navedenim Blaupunkt Competence Center 2N-Everpol Sp. z o.o. izjavljuje da je ovaj proizvod u skladu sa zahtjevima i drugim relevantnim odredbama Direktive 2014/53/EU. Za potpunu Izjavu o sukladnosti posjetite stranicu www.blaupunkt.com na kartici proizvoda.

Odgovorni subjekt: 2N-Everpol Sp. Z o.o.

Puławska 403A, 02-801 Varšava, Poljska

Telefon: +48 22 688 08 00, e-mail: info@everpol.pl



Proizvod je izrađen od visokokvalitetnih materijala i dijelova koji se mogu reciklirati i ponovo upotrijebiti.



Ako vaš uređaj ima znak prekržiene kante za otpatke, ovo označava da je proizvod pokriven odredbama Europske direktive 2012/19/EU. Molimo poštujte zahtjeve lokalnog sustava za prikupljanje električnog otpada i elektroničke opreme. Radite u skladu s lokalnim propisima. Ne bacajte ovaj proizvod zajedno s kućnim otpadom. Ispravnim odlaganjem starog proizvoda spriječit ćete potencijalne negativne posljedice na okoliš i zdravlje ljudi.



Ako se na vašem uređaju nalazi simbol prekržiene kante za smeće, to znači da je proizvod pokriven odredbama Europske direktive 2012/19/EU. Na temelju toga, slijedite lokalne propise i upoznajete se sa zahtjevima za vaš lokalni sustav prikupljanja električnog i elektroničkog otpada i, u slučaju ovog proizvoda, pridržavajte ih se.

NE ODLAGAJTE OVAJ PROIZVOD SA KUĆNIM OTPADOM!

OVAJ PROIZVOD SADRŽI OPASNE TVARI, SMJESE I KOMPONENTE KOJE, AKO SU NEDOVLAŠTENE, MOGU BITI IZVOR POTENCIJALNIH EFEKATA NA PRIRODNI OKOLIŠ I ZDRAVLJE LJUDI!

Ispravno zbrinjavanje iskorisćenog proizvoda spriječit će negativne učinke na okoliš i ljudsko zdravlje.

Informacije o zaštiti okoliša

Paket uključuje samo nužne komponente. Svaki napor je napravljen da bit tri sastavni komponenti paketa lako odvojili: karton (kutija), polistirenska pjena (zaštita unutra) i polietilen (vrećica, zaštitna folija). Uređaj je izrađen od materijala koje se može reciklirati i ponovo upotrijebiti nakon demontaže od strane specijalizirane tvrtke. Poštujte lokalne propise o raspolaganju iskorišćenih ambalažnih materijala, baterija i nepotrebne opreme.

Snimanje i reprodukcija materijala može zahtijevati pristanak. Vidi Zakon o autorskim pravima i prava izvođača/umjetnika.

Napomena o ERP2 (oprema koja se odnosi na energiju)

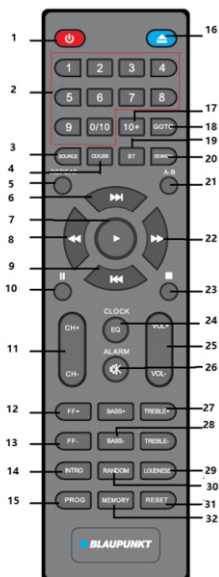
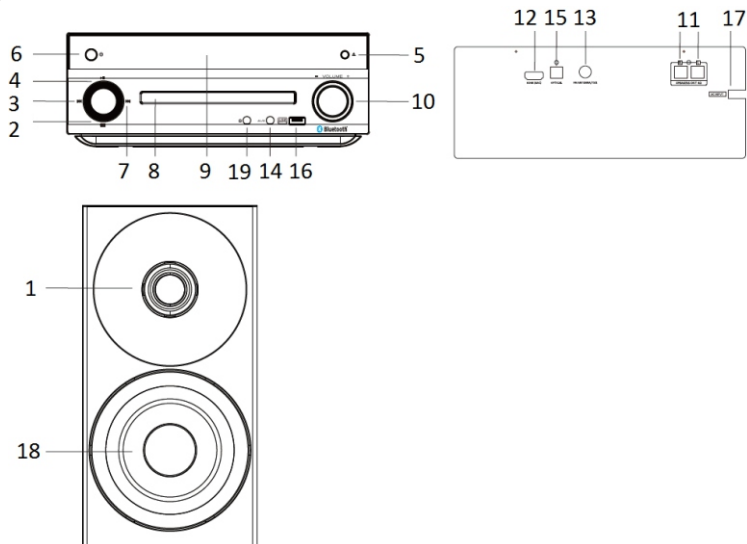
Ovaj ekodizajnirani uređaj zadovoljava zahtjeve 2. faze Uredbe Komisije (EZ) br. 1275/2008 kojom se provodi Direktivu 2009/125/EZ o potrošnji energije od strane isključenih i elektroničkih uređaja ili uređaja u modu čekanja za uredsku i kućnu uporabu.



Vlasnik zaštitnog znaka i logotipa Bluetooth® je tvrtka Bluetooth SIG, Inc. USA. Upotreba tih znakova i logotipa podliježe licenciji. Ostali zaštitni znakovi i trgovački nazivi su u vlasništvu određenih vlasnika.

Zahvaljujemo na kupnji našeg proizvoda, molimo Vas da pažljivo pročitate i upoznate se s ovim uputama prije nego počnete s korištenjem uređaja. Ove upute zadržite da biste ih koristili u budućnosti

Položaj upravljačkih elemenata



- | | | |
|----------------------------------|-------------------------------------|---|
| 1 - zvučnik visoki tonovi; | 2 - Izbor izvora; | 3 - Gumb "prethodni"; |
| 4 - Gumb za reprodukciju/pauzu; | 5 - Gumb za izbacivanje CD-ladice; | |
| 6 - Gumb za stanje pripravnosti; | 7 - Gumb "sljedeći"; | 8 - CD-ladica; |
| 9 - Zaslom; | 10 - Gumb glasnoće; | 11 - Utičnica za spajanje zvučnika (4 ohm); |
| 12 - HDMI(ARC) ulaz; | 13 - 75 ohm FM antenski priključak; | 14 - Utičnica AUX IN; |
| 15 - Optički ulaz; | 16 - USB priključak; | 17 - Ulaz izmjenične struje; |
| 18 ---zvučnik srednji tonovi; | 19---izlaz za slušalice; | |

Daljinski upravljač

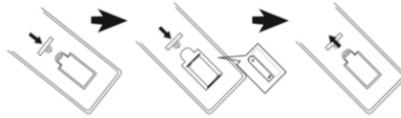
- | | |
|--|---|
| 1—Uključivanje/isključivanje napajanja | 2—Numeričke tipke; |
| 3—Izvor; | 4—Tipka CD/USB; |
| 5—Ponavljanje (Ponavljanje svega, ponavljanje jedne pjesme, ponavljanje mape, ponavljanje isključeno); | 6—Sljedeća; |
| 7—Reprodukcija; | 8—Brzo premotavanje unazad; |
| 9—Prethodna; | 10—Pauza; |
| 11—Kanal +/-; | 12—Frekvencija FM +; |
| 13—Frekvencija FM -; | 14—Tipka za funkciju intro; |
| 15—Programiranje; | 16—Vađenje CD-a; |
| 17—10+; | 18—Tipka GOTO; |
| 19—Bluetooth; | 20—Pretraga FM frekvencije; |
| 21—Ponavljanje dijela pjesme A-B; | 22—Brzo premotavanje naprijed; |
| 23—Stop; | 24—Sat/EQ(Music-Game-News-Movie) |
| 25—Glasnoća zvuka +/-; | 26—Alarm/stišavanje zvuka; |
| 27—Podešavanje visokih tonova +/-; | 28—Podešavanje basova +/-; |
| 29—Glasnoća; | 30—Nasumična reprodukcija uključena / isključena; |
| 31—Reset; | 32—Memorija; |

Povezivanje zvučnika i napajanja

1. Za spajanje zvučnika na glavnu jedinicu postavite utikač koji spaja kabel zvučnika u utičnicu zvučnika dostupnu na stražnjoj stijenci kućišta glavne jedinice. Spojite lijevi zvučnik u L utičnicu, a desni zvučnik u R utičnicu.
2. Provjerite je li napajanje u skladu sa specifikacijama nazivnog napona koje se nalaze na stražnjoj ploči glavne jedinice. Ako se ne podudara, obratite se svom prodavaču ili servisnom centru.
3. Spojite kabel za napajanje glavne jedinice u zidnu utičnicu. Kada se napaja, zaslon će zasvijetliti i prikazati format vremena.
4. Kada sustav nije u uporabi dulje vrijeme, odspojite kabele za napajanje kako biste u potpunosti prekinuli napajanje.

Umetanje baterije u daljinski upravljač

Otvorite poklopac pretinca za bateriju i umetnite 2 AAA bateriju (w kompletu); provjerite poklapa li se polaritet baterije s dodatnim i negativnim simbolom otisnutim na pretincu. Zatim zatvorite poklopac pretinca za baterije.



Napomene:

- a. Radna udaljenost daljinskog upravljača iznosi 7 metara bez prepreka između upravljača i glavne jedinice. Daljinski upravljač uperite u senzor koji se nalazi u lijevom kutu zaslona.
- b. Osjetljivost daljinskog upravljača bit će slaba, ako je baterija ispražnjena. Zamijenite je novom da bi daljinski upravljač ispravno radio.
- c. Ako se daljinski upravljač dulje vrijeme ne koristi, izvadite iz njega bateriju.
- d. Baterija se mora zbrinjavati na način koji je pogodan za okoliš. Upoznajte se sa zahtjevima lokalnih vlasti u svezi sa zbrinjavanjem otpada.

Opće upute

- 1. Uključivanje / isključivanje i režim pripravnosti:** Zaslon će zasvijetliti kada je uređaj uspješno pripojen na izvor izmjenične struje; izvadite AC utikač da biste u potpunosti isključili napajanje. Pritisnite tipku za napajanje na prednjem panelu ili daljinskom upravljaču da biste uključili i isključili režim pripravnosti.
- 2. Stišavanje zvuka:** pritisnite tipku MUTE na daljinskom upravljaču da stišate zvuk; pritisnite ju ponovno da uključite reprodukciju. Reprodukciju možete pokrenuti i pritiskom na tipku za glasnoću zvuka +/-.
- 3. Izvor režima reprodukcije:** nekoliko puta pritisnite tipku SOURCE da biste se prebacivali između režima CD / USB / FM / AUX IN / Bluetooth/ HDMI/ optički ulaz. Pritisnite tipku CD / USB na daljinskom upravljaču da biste prešli u režim CD i USB. Za iste funkcije pritisnite gumb za odabir izvora na prednjoj ploči.
- 4. Postavljanje glasnoće zvuka:** pritisnite tipku VOL +/- na daljinskom upravljaču ili okrenite gumb za glasnoću zvuka na prednjem panelu da smanjite ili pojačate izlaznu glasnoću.
- 5. Ekvilizator:** pritisnite tipku EQ da biste izabrali režim ekvilizatora: Glazba-Igra-Novosti-Film.
- 6. Postavljanje niskih i visokih tonova:** na daljinskom upravljaču kratko pritisnite tipku za podešavanje visokih tonova +/- ili basova +/- da biste regulirali postavke visokih i niskih tonova izlaznog zvuka.
- 7. Numeričke tipke 0 ~ 9 i tipka 10+:** unesite odgovarajuće brojeke i pričekajte trenutak da potvrdite izbor – uređaj će reproducirati izabrani broj pjesme. Pritiskom na tipku 10 + možete preskočiti sljedećih 10 pjesama, ako je na nosaču spremjeno više od 10 pjesama. Ova je funkcija dostupna u režimu CD-a i USB-a.
- 8. Reprodukcija, pauza i zaustavljanje:** u CD / USB / Bluetooth režimu pritisnite tipku za reprodukciju i pauzu da privremeno zaustavite ili ponovno pokrenete reprodukciju. U CD i USB režimu pritisnite tipku za zaustavljanje da zaustavite reprodukciju; pritisnite tipku za reprodukciju da ponovno uključite reprodukciju glazbe.
- 9. Prethodna i sljedeća, premotavanje naprijed i nazad:** kratkim pritiskom na tipku prethodna / sljedeća možete prijeći na reprodukciju posljednje ili sljedeće pjesme. Pritisnite i zadržite tipku za premotavanje naprijed / nazad daljinskog upravljača da brzo premotate aktualnu pjesmu naprijed ili nazad, a puštanjem tipke vratite se na normalnu reprodukciju.
- 10. Ponavljanje reprodukcije:** u CD i USB režimu više puta pritisnite tipku za ponavljanje da ponovite jednu pjesmu, ponavljanje mapu, čitav sadržaj nosača ili da isključite ponavljanje.
- 11. Nasumična reprodukcija:** tipkom za nasumičnu reprodukciju uključite ili isključite nasumičnu reprodukciju.
- 12. Umetanje CD-a:** Pritisnite tipku za otvaranje poklopca CD-a da ga otvorite i umetnete CD. Ponovo ju pritisnite da zatvorite poklopac CD-a.
- 13. Loudness:** kratko pritisnite tipku da pojačate boju zvuka.
- 14. Slušalice:** Spojite slušalice na utičnicu za slušalice koja se nalazi na prednjoj ploči, nakon spajanja slušalica, zvuk iz zvučnika će biti utišan i bit će dostupan samo iz slušalica. Podesite glasnoću.
- 15. Ponavljanje određenog dijela pjesme:** u CD / USB režimu kratko na daljinskom upravljaču pritisnite tipku A-B da biste odabrali početak dijela pjesme, pritisnite je ponovo da biste izabrali završetak; uređaj će ponavljati izabrani dio pjesme sve do

ponovnog pritisnjanja tipke A-B za poništavanje postavki i vraćanje na normalnu reprodukciju.

16. Reset sistema: u CD modu izbacite CD-ladicu (bez zatvaranja), pritisnite i držite tipku za resetiranje 3 sekunde kako bi se na zaslonu prikazala poruka "reset", a sustav će se resetirati.

Reprodukcija CD-a

Ovaj model ima funkciju reprodukcije CD / CD-R-RW i svih glazbenih datoteka spremjenih u audio formatima MP3 / WMA (ne reproduciraju se DVD diskovi). Prije reprodukcije CD-a, provjerite ima li na njemu mrlja ili ogrebotina – ako ima, uređaj ne može čitati CD ili će reprodukciju pratiti neželjeni zvukovi.

1. Nekoliko puta pritisnite tipku za izbor izvora ili tipku CD / USB na daljinskom upravljaču da biste prešli u reprodukciju CD-a.
2. Pritisnite tipku za otvaranje da otvorite poklopac CD-a i umetnete CD; zatvorite poklopac CD-a. Uređaj će automatski učitati i reproducirati CD.
3. Stvorite svoju listu pjesama (mogućnost programiranja maksimalno 20 pjesama za CD i do 99 pjesama za format WMA / MP3)
 - a. U režimu reprodukcije CD-a pritisnite prvo tipku stop, a zatim pritisnite tipku za programiranje da biste započeli kreiranje liste.
 - b. Kad se na zaslonu pokaže natpis „XXX PXX” pritisnite tipku prethodna/sljedeća ili 10 + da biste odabrali pjesmu koju želite programirati, a zatim pritisnite tipku za programiranje da biste potvrdili odabir.
 - c. Zatim će se na zaslonu prikazati programirana pjesma i bit će moguće programiranje sljedeće pjesme. Na primjer "006 P01" označava da je pjesma broj 6 programirana kao pjesma broj 01.
 - d. Ponovite gore navedene korake b i c da postavite ostale pjesme sve dok se na zaslonu ne pokaže informacija „FULL”.
 - e. Zatim pritisnite tipku za reprodukciju da biste pokrenuli reprodukciju programirane liste.
 - f. Da biste poništili i obrisali programiranu listu pjesama, dvaput pritisnite gumb za zaustavljanje za zaustavljanje ili izvadite CD.
4. Tijekom reprodukcije CD-a dostupne su funkcije: ponavljanje i pauza, stop, stišavanje zvuka, nasumično ponavljanje, izbor pjesme, EQ, premotavanje naprijed i nazad, brz izbor pomoću numeričkih tipki itd. Upoznajte se s općim uputama koje su dio ovih uputa za upotrebu.

Rukovanje FM radijem

Prije slušanja FM radija priključite priloženu FM antenu na FM utičnicu na stražnjem panelu ili premjestite uređaj blizu prozora za bolji prijem FM radija.

1. **Automatsko skeniranje i programiranje radio stanica:** Nekoliko puta pritisnite tipku za izbor izvora da prijedete u režim FM radija; kratko pritisnite tipku za skeniranje FM frekvencije ili tipku za reprodukciju / pauzu (2 sekunde) na prednjem panelu da biste automatski skenirali i spremali dostupne radio stanice. Uređaj može spremati do (maks.) 40 stanica. Kratko pritisnite tipku prethodna/sljedeća na prednjem panelu, ili numeričku tipku na daljinskom upravljaču na daljinskom upravljaču ili glavne jedinice da biste odabrali programiranu radio stanicu.
2. **Ručno postavljanje ili automatsko skeniranje:** kratko pritisnite tipku FF +/- da biste povećali ili smanjili frekvenciju za 0,1 MHz; pritisnite i 2 sekunde zadržite tipku FF +/- ili prethodna / sljedeća na prednjem panelu da biste automatski skenirali dostupne FM stanice prema gore ili prema dolje – zatim će se skeniranje zaustaviti, a dostupna stanica će se automatski reproducirati.
3. **Ručno postavljanje stanica:** nakon ručnog postavljanja omiljene stanice ili automatskog skeniranja prvo pritisnite tipku memorije na daljinskom upravljaču, a brojeke za broj memorije stanice počnu treperiti na zaslonu, zatim pritisnite tipku kanal + / - da promijenite broj pod kojim želite spremiti izabranu stanicu. Zatim pritisnite tipku memorije da biste potvrdili odabir – aktualna FM stanica će se spremati. Ponovite postupak da spremite drugu stanicu.
4. **Prijedite na konkretnu frekvenciju:** prvo pritisnite tipku GOTO na daljinskom upravljaču, zatim pomoću numeričkih tipki unesite konkretnu frekvenciju FM stanice kao 1-0-4-3, a zatim prijedite na njenu reprodukciju.

Korištenje USB-a

Uređaj ima funkciju reprodukcije USB-a koja omogućuje dekodiranje i reprodukciju glazbe s USB nosača. Prije početka operacije kopirajte glazbu u MP3 / WMA formatu u USB memoriju. USB memorija može imati maksimalni kapacitet do 32 GB.

1. Prije nego što s USB-a pokrenete reprodukciju, provjerite je li USB memorija pravilno priključena na USB port. Zatim prijedite na reprodukciju USB-a pritiskom na tipku za izbor izvora ili CD / USB na daljinskom upravljaču. Potom će uređaj nakon nekoliko sekundi automatski dekodirati i reproducirati glazbu.
2. U USB režimu dostupne su sljedeće funkcije: reprodukcija i pauza, zaustavljanje, stišavanje zvuka, ponavljanje, ekvilizator, premotavanje naprijed i nazad i sl. Molimo da se upoznate s općim uputama koje su dio ovih uputa za upotrebu.

Napomene:

 - a. Ne preporučuje se priključivanje USB memorije preko produžnog USB kabela jer to može izazvati buku ili isprekidan zvuk zbog gubitka audio podataka tijekom slanja datoteka.
 - b. Ne garantira se dekodiranje i reprodukcija svih MP3 / WMA datoteka.
 - c. Maksimalni kapacitet USB nosača je 32 GB.
 - d. Dekodiranje i reprodukcija nekih USB nosača može trajati malo duže – to nije kvar.

Korištenje Bluetootha

Ovaj uređaj ima funkciju Bluetootha zahvaljujući kojoj možete bežično reproducirati glazbu s drugog Bluetooth uređaja.

1. Nekoliko puta pritisnite tipku za izbor izvora da biste prešli u Bluetooth režim; na zaslonu će se pojaviti informacija „BLUE-T”. Uključite funkciju Bluetooth na vanjskom uređaju i potražite dostupne Bluetooth uređaje (upoznajte se s uputama za upotrebu vanjskog uređaja), a zatim na popisu pronađite Bluetooth uređaje dostupne za povezivanje.
2. Odaberite "BP MS30.2BT" za uparivanje; nakon uspješne veze s Bluetooth uređajem, BLUE-T na zaslonu će prestati treperiti.
3. Na vanjskom Bluetooth uređaju izaberite i reproducirajte glazbu, a zvuk će se reproducirati na zvučnicima ovog uređaja.
4. Pritisnite tipku prethodna / sljedeća da biste izabrali posljednju i sljedeću pjesmu za reprodukciju.
5. U USB režimu dostupne su sljedeće funkcije: reprodukcija / pauza, stišavanje zvuka, ekvilizator i sl. Molimo da se upoznate s općim uputama koje su dio ovih uputa za upotrebu.
6. Dugi pritisak (3 sekunde) gumba za reprodukciju/pauzu na prednjoj ploči može prekinuti uparivanje s trenutnim Bluetooth uređajem.

Napomena:

- Na garantira se pravilno povezivanje sa svim Bluetooth uređajima zbog različitih konstrukcija i proizvođača.
- Do met Bluetootha iznosi 10 metara bez prepreka između uređaja.
- Uređaj se može povezivati i raditi samo s jednim Bluetooth uređajem.
- Prekinite trenutnu Bluetooth vezu prije povezivanja s drugim uređajem, u suprotnom se „BP MS30.2BT“ neće pojaviti na spisku uređaja spremnih za povezivanje.

Podrška za digitalne ulaze

Ovaj model ima digitalni optički i HDMI(ARC) ulaz koji vam omogućuje spajanje na TV ili druge kompatibilne vanjske uređaje za reprodukciju zvuka.

Optički ulaz: Koristite optički kabel (nije u opsegu isporuke) za povezivanje izlaznog priključka TV-a ili drugog uređaja s optičkim ulazom ugrađenim u ovaj model. Više puta pritisnite tipku za odabir izvora za ulazak u mod optičkog ulaza. Provjerite i prilagodite razinu glasnoće na ovoj jedinici i TV-u ili drugom vanjskom uređaju, odaberite i reproducirajte željeni sadržaj, zatim će se zvuk reproducirati putem ovog modela.

HDMI(ARC) ulaz: Ovaj model podržava HDMI s ARC (audio povratni kanal); Ako je vaš TV kompatibilan s HDMI ARC (detalje provjerite u specifikaciji vašeg TV-a), moguće je slušati TV zvuk preko zvučnika ovog modela. Upotrijebite HDMI kabel (nije u opsegu isporuke) za povezivanje ove jedinice s TV-om, više puta pritisnite gumb za odabir izvora na ovom modelu za ulazak u HDMI način rada ili se izvor automatski prebacuje u HDMI način rada nakon uspješnog povezivanja i uključivanja TV-a. Podesite razinu glasnoće, odaberite i reproducirajte sadržaj na TV-u, zatim će se zvuk odabranog programa reproducirati kroz zvučnike ove jedinice.

Pažnja!

- U načinu reprodukcije signala s digitalnog ulaza (optički i HDMI ARC), na TV-u ili vanjskom uređaju, postavite izlaz audio signala kao "PCM stereo" ili "stereo 2.0" (pojednosti u uputama za uporabu TV ili vanjski uređaj), inače ovaj uređaj neće reproducirati zvuk.
- Provjerite podržava li vaš TV HDMI ARC. Televizor može imati nekoliko HDMI priključaka, pa provjerite i pravilno povežite HDMI ARC izlazni priključak, obično postoji informacija pored priključka koji HDMI ARC podržava (molimo provjerite korisnički priručnik ili specifikaciju vašeg TV-a).
- Prilikom odabira i kupnje HDMI kabela za povezivanje, provjerite podržava li kabel HDMI V1.3 i novije te je li 19-žilni.
- U slučaju da nema zvuka ili je izlazni signal isprekidan, pažljivo provjerite gornje napomene i provjerite je li veza između mikrosustava i drugog uređaja ispravna.
- U načinu reprodukcije digitalnog ulaznog signala, kontrola glasnoće / postavka ekvilizatora / funkcija isključivanja zvuka itd. dostupna je daljinskim upravljačem.

Korištenje LINE IN režima (AUX IN)

Da biste priključili i reproducirali glazbu na vanjskom playeru ili izvoru, postupajte prema sljedećim uputama:

- Pomoću priloženog audio kabla (3.5 mm za 3.5 mm stereo) priključite AUX IN utičnicu (tip 3.5 mm stereo) na prednji ploči glavnog uređaja, a drugi 3,5 mm stereo utikač umetnite u linijski ulaz ili utikač za slušalice na vanjskom playeru. Pritiskom na tipku za izvor izaberite AUX IN režim.
- Reproducirajte glazbu na vanjskom uređaju, a zvuk će se reproducirati na zvučnicima ovog uređaja.
- U AUX IN režimu upravljanje je moguće na vanjskom uređaju. Na ovom uređaju možete upravljati glasnoćom i ekvilizatorom te stišavati zvuk.

Podešavanje sata i alarma (buđenje reprodukcijom glazbe i auto reprodukcija)

Uređaj ima funkciju sata i alarma i zato se linija može koristiti kao budilica – uređaj će automatski reproducirati glazbu u prethodno podešeno vrijeme.

1. Podešavanja sata: za podešavanje sata u režimu pripravnosti pritisnite i zadržite nekoliko sekundi tipku „CLOCK“ na daljinskom upravljaču; prikaz vremena će treperiti na zaslonu; pritisnite tipku tipka kanal + / - da biste izabrali format 12/24 sata, pritisnite tipku „CLOCK“ na daljinskom upravljaču da potvrdite izbor; zatim brojke sati počnu treperiti na zaslonu – pritisnite tipku tipka kanal + / - da biste podesili sate i ponovno pritisnite tipku „CLOCK“ da potvrdite izbor; zatim brojke minuta počnu treperiti na zaslonu pritisnite tipku tipka kanal + / - da biste podesili minute i pritisnite tipku „CLOCK“ na daljinskom upravljaču da potvrdite izbor i završite s podešavanjem vremena.

2. Podešavanje alarma: u režimu sata pritisnite i zadržite nekoliko sekundi tipku „ALARM“ na daljinskom upravljaču da biste pokrenuli podešavanje alarma, zatim će se na zaslonu prikazati vrijeme alarma; pritisnite tipku + / - za promjenu kanala za podešavanje željenog vremena alarma, a zatim pritisnite tipku sata za potvrdu odabira; sada idite na podešavanje preostalih parametara: minute/izvor alarma (FM/CD/USB)/glasnoća buđenja, što je postupak sličan podešavanju sati alarma. Ponovno pritisnite tipku alarma kako biste potvrdili i dovršili odabir.

Napomena:

- Podešavanje sata i alarma moguće je samo kada je uređaj priključen na napajanje. Sat i alarm moraju se podesiti nakon svakog nestanka napajanja.
- Kad je alarm ispravno postavljen, na zaslonu će se pojaviti njegova ikona. Kratkim pritisakom na tipku „ALARM“ u režimu pripravnosti isključuje se alarm; ponovno pritisanje tipke „ALARM“ opet uključuje alarm.
- Kada je alarm podešen, uređaj će automatski reproducirati glazbu (CD/FM radio/USB), pritisnite gumb za uključivanje da biste zaustavili alarm.

Rješavanje problema**1. Uređaj se ne može uključiti.**

- Provjerite je li kabel za napajanje pravilno priključen na zidnu utičnicu.
- U slučaju problema kontaktirajte servisni centar.

2. Nema zvuka.

- Probajte regulirati glasnoću.
- Provjerite je li izabran pravilni režim reprodukcije.
- U slučaju problema kontaktirajte servisni centar.

3. CD se ne može reproducirati.

- Probajte reproducirati drugi CD s glazbom u CD / CD-R-RW / MP3 / WMA formatu. Probajte očistiti CD.
- U slučaju problema kontaktirajte servisni centar.

4. Šumovi u režimu FM radija.

- U potpunosti razvucite FM antenu, pokušajte prilagoditi smjer antene.
- Premjestite uređaj blizu prozora.
- Izaberite drugu frekvenciju.

5. Isprekidani zvuk tijekom reprodukcije u režimu Bluetootha.

- Stavite Bluetooth uređaj bliže ovom uređaju.
- Isključite funkciju Bluetootha na vanjskom uređaju i ponovno je uključite.

6. Daljinski upravljač ne radi pravilno.

- Uperite daljinski upravljač u senzor koji se nalazi u lijevom kutu zaslona.
- Zamijenite bateriju novom zbog niske razine napunjenosti.

Specifikacija

Izvor napajanja: AC 110-240 V, 50/60 Hz

Kompatibilan s CD: CD / CD-R-RW / MP3 / WMA

FM frekvencija: 87,5-108,0 MHz

USB parametri: 5 V, 500 mA, inačica 2.0, podržava uređaje do 32 GB

Bluetooth: 5,0, radna udaljenost do 10 metara.

HDMI ARC V2.0 ulaz, 1 x optički ulaz.

Izlazna snaga RMS: 2 x 25 W

Potrošnja energije: Ukupno 60 W

Potrošnja snage u režimu pripravnosti: <0,5W

(Napomena: gore navedena specifikacija može se promijeniti bez prethodne obavijesti.)

INSTRUCȚIUNI IMPORTANTE REFERITOARE LA SIGURANȚĂ**Avvertiment:**

Pentru a diminua riscul de electrocutare, nu demontați capacul sau partea din spate a dispozitivului. În interiorul dispozitivului nu există elemente care să poată fi reparate de utilizator. De mentenanța și repararea echipamentului se ocupă exclusiv angajații calificați ai service-ului.

Explicarea simbolurilor grafice:

Simbolul fulgerului terminat cu o săgeată, plasat într-un triunghi echilateral, avertizează utilizatorul împotriva unei „tensiuni periculoase” neizolate în carcasa dispozitivului, care poate atinge dimensiunea pericolului de electrocutare.



Semnul exclamării într-un triunghi echilateral avertizează utilizatorul că în acest moment sunt prezentate informații importante referitoare la operarea și mentenanța echipamentului în documentația anexată la dispozitiv.

Rugăm să citiți aceste instrucțiuni înainte de a trece la operarea dispozitivului, să vă familiarizați cu funcțiile acestuia și să le folosiți conform destinației. Acest lucru va asigura o operare de lungă durată și fără avarii a dispozitivului, precum și plăcerea de a-l utiliza.

Informații importante

- Instrucțiunile de operare și informațiile referitoare la siguranță trebuie păstrate în scopul folosirii lor în viitor.
- Nu permiteți ca pe dispozitiv să picure sau să se verse vreun lichid.
- Nu îl folosiți în locuri umede, cum ar fi de ex. sala de baie.
- Dispozitivul nu poate fi montat în următoarele locuri:
- Expus la lumina directă a soarelui sau în apropierea caloriferelor.
- Plasat deasupra unui alt dispozitiv stereofonic care emite căldură.
- Blocând ventilația sau într-un loc prăfuit.
- În locuri expuse la vibrații constante.
- În locuri cu umiditate ridicată.
- Nu așezați dispozitivul în apropierea lumânărilor sau a focului deschis.
- Dispozitivul poate fi folosit exclusiv în modul descris în instrucțiunile de mai jos.
- Înainte de prima pornire, asigurați-vă că sursa de alimentare este conectată în mod corespunzător.
- Stick-urile USB se conectează direct sau folosind un prelungitor USB cu lungime de până la 25 cm.

Din motive de securitate, nu demontați carcasa și nu încercați să accesați interiorul dispozitivului. Dispozitivul trebuie reparat de personalul calificat din service.

Nu demontați și nu deschideți carcasa, deoarece în interior nu există elemente ce ar putea fi reparate de utilizator. De mentenanța și repararea echipamentului se ocupă exclusiv angajații calificați ai service-ului.

INSTRUCȚIUNI REFERITOARE LA SIGURANȚĂ

1. Citiți instrucțiunile – înainte de utilizarea dispozitivului, citiți în întregime instrucțiunile de utilizare, precum și informațiile referitoare la siguranță.
2. Urmați instrucțiunile – păstrați instrucțiunile de utilizare și operare în scopul folosirii lor în viitor.
3. Respectați avertismentele – procedați conform tuturor avertismentelor plasate pe dispozitiv, precum și conform instrucțiunilor de utilizare.
4. Urmați instrucțiunile – procedați conform instrucțiunilor de operare și indicațiilor pentru utilizator.
5. Instalare – setați dispozitivul conform instrucțiunilor producătorului.
6. Surse de alimentare – dispozitivul trebuie alimentat exclusiv de la surse cu parametrii indicați în marjele de pe cablul de alimentare. Dacă utilizatorul nu este sigur de tipul de alimentare de care dispune acasă, trebuie să contacteze vânzătorul dispozitivului sau furnizorul local de energie electrică.
7. Împământarea sau polarizarea alimentării – dispozitivul nu trebuie să fie împământat. Trebuie să vă asigurați că ștecherul este introdus complet în priză sau în prelungitor pentru a nu permite expunerea bolțurilor sau a contactelor. Unele versiuni ale dispozitivului pot fi echipate cu ștecher polarizat de curent alternativ (cu un singur bolț mai larg). Acest ștecher poate fi introdus în priză de rețea doar într-un singur mod. Aceasta este o funcție de protecție. Dacă ștecherul nu poate fi introdus în priză, trebuie încercată rotirea acestuia. Dacă ștecherul în continuare nu se potrivește la priză, trebuie solicitată înlocuirea acestui ștecher de către un electrician. Nu scoateți elementele de protecție din ștecherul polarizat. Când utilizați un prelungitor sau un cablu de alimentare altul decât cel furnizat împreună cu dispozitivul, acestea trebuie să aibă ștecherele corespunzătoare, precum și atestatul de securitate necesar în țara dată.
8. Protecția cablului de alimentare – cablurile de alimentare trebuie plasate astfel încât să nu poată fi călcate, presate sau tăiate de obiectele din jur. Acordați o atenție deosebită ștecherelor, prizelor de rețea și locurilor în care cablurile sunt direcționate de la dispozitiv.
9. Supraîncărcare – Nu supraîncărcați prizele de perete, prelungitoarele și repartitoarele electrice, deoarece acest lucru poate provoca incendii sau electrocutări.
10. Ventilație – dispozitivul trebuie să fie corect ventilat. Dispozitivul nu poate fi pus pe pat, sofa sau suprafețe similare. Nu acoperiți dispozitivul cu fețe de masă, șervețele, ziare, ș.a..
11. Căldură – nu plasați dispozitivul în apropierea unor surse de căldură, precum calorifere, radiatoare, sobe sau alte dispozitive (de asemenea amplificatoare) care generează căldură. Nu puneți pe dispozitiv lumânări aprinse și alte surse de foc deschis.

12. Apă și umezeală – pentru a reduce riscul de incendiu sau electrocutare, nu expuneți dispozitivul la ploaie, apă și umiditate directă, ca de ex. în saună sau baie. Nu folosiți dispozitivul în apropierea apei, de exemplu lângă cadă, lavoar, chiuveta de bucătărie, într-o pivniță umedă sau în apropierea unei piscine (sau în locuri similare).
13. Obiecte și lichide în dispozitiv – nu trebuie forțate niciun fel de obiecte prin deschiderile dispozitivului, deoarece acestea pot să intre în contact cu punctele de tensiune periculoasă și cu componentele, ceea ce poate provoca incendiu sau electrocutare. În niciun caz nu vărsați niciun fel de lichide pe suprafața dispozitivului. Nu puneți pe suprafața dispozitivului obiecte ce conțin lichide.
14. Curățarea – scoateți întotdeauna dispozitivul din priză înaintea de curățare. Praful din jurul difuzorului poate fi îndepărtat cu o cârpă uscată. Dacă se utilizează un aerosol pentru curățare, nu îndreptați jetul de pulverizare direct spre dispozitiv, ci spre cârpă. Aveți grijă să nu deteriorați unitățile de comandă.
15. Echipare suplimentară – nu folosiți accesorii care nu sunt aprobate de producător, deoarece pot constitui un pericol.
16. Accesorii – nu așezați dispozitivul pe un cărucior, postament, stativ, suport sau masă instabile. Dispozitivul se poate răsturna sau deteriora și poate provoca vătămări grave copiilor sau persoanelor adulte. Folosiți numai cărucioare, postamente, stativ, suporturi și mese specificate de producător sau vândute împreună cu dispozitivul. Montarea dispozitivului trebuie efectuată în conformitate cu instrucțiunile producătorului, folosind setul de montaj recomandat de producător.
17. Mutarea dispozitivului – dispozitivul plasat pe cărucior trebuie deplasat cu multă grijă. Oprirea bruscă, forța prea mare sau suprafețele neuniforme pot provoca răsturnarea căruciorului împreună cu dispozitivul.
18. Perioada de nefolosire a dispozitivului – cablul de alimentare al dispozitivului trebuie deconectat de la priza de rețea în timpul furtunilor cu descărcări atmosferice sau când dispozitivul nu va fi folosit pentru o perioadă mai lungă de timp.
19. Servisare – nu încercați să serviți singur dispozitivul. Deschiderea capacului poate duce la contactul cu o tensiune periculoasă și poate expune utilizatorul la alte pericole. De mentenanță și repararea echipamentului se ocupă exclusiv angajații calificați ai service-ului.
20. Când dispozitivul nu este utilizat, ștecherul de alimentare trebuie deconectat de la priza de rețea. Când dispozitivul este conectat la sursa de alimentare, se află în regim de stand by și nu este complet închis.
21. Piese de schimb – la înlocuirea pieselor, trebuie verificat dacă angajatul service-ului a folosit piesele de schimb recomandate de producător sau dacă aceste piese sunt identice cu cele originale. Înlocuirea cu piese neaprobate poate duce la incendii, electrocutare sau alte pericole.
22. Siguranțele principale – pentru a proteja în mod continuu dispozitivul împotriva incendiului, trebuie folosite siguranțe de tip și parametri corecți. Parametrii siguranțelor în acest interval sunt marcați pe dispozitiv.
23. Nu măriți volumul când ascultați o parte dintr-un cântec înregistrat cu volum redus sau în cazul lipsei semnalului audio de început. În caz contrar se poate ajunge la deteriorarea difuzorului în momentul creșterii rapide a intensității semnalului.
24. Singurul mod de a deconecta complet dispozitivul de la sursa de alimentare este deconectarea cablului de alimentare din priza de alimentare sau din dispozitiv. Priza de rețea sau intrarea cablului de alimentare în dispozitiv trebuie să fie mereu accesibile în timpul utilizării produsului.
25. Dispozitivul trebuie amplasat în apropierea unei prize de perete sau a unui cablu prelungitor și astfel încât să fie mereu accesibil.
26. Temperatura maximă ambiantă pentru dispozitiv este de 35°C.
27. Instrucțiuni referitoare la descărcările electrostatice – dacă funcționarea dispozitivului este perturbată de descărcări electrostatice, acesta trebuie oprit și repornit sau mutat în alt loc.
28. Bateria
 - a. Bateriile nu pot fi expuse la căldură excesivă, cum ar fi razele de soare, foc, ș.a.
 - b. Când aruncați bateriile, acordați atenție aspectelor legate de protecția mediului.
 - c. Avertisment referitor la folosirea bateriei: pentru a nu permite pierderea etanșeității bateriei, ceea ce poate provoca vătămări corporale sau deteriorarea a dispozitivului:
 - În timpul introducerii bateriei, respectați polaritatea acesteia (+ și -).
 - Nu folosiți în același timp baterii diferite — vechi și noi, baterii standard și alcaline, ș.a.
 - Scoateți bateriile din dispozitiv, atunci când acesta nu este folosit pentru o perioadă mai lungă.

ATENȚIE

Dispozitivul nu trebuie folosit de persoanele (inclusiv copiii) cu capacități fizice, senzoriale sau mentale reduse, precum și de persoanele cu cunoștințe și experiență insuficiente, în cazul în care nu se află sub supravegherea unei persoane responsabile pentru siguranța lor și nu au fost instruite cum să folosească dispozitivul în condiții de siguranță. Prezența persoanelor adulte este necesară, dacă dispozitivul este folosit de copii; aceasta va permite o folosire în condiții de siguranță a dispozitivului.

1. Nu lăsați dispozitivul nesupravegheat în timpul funcționării! Dispozitivul trebuie închis când nu este folosit, chiar și pentru o perioadă scurtă de timp.
2. Dispozitivul nu poate fi folosit prin intermediul unui temporizator extern și nici cu ajutorul unui sistem separat cu comandă de la distanță.
3. Pentru evitarea pericolului în cazul deteriorării cablului de alimentare, înlocuirea trebuie efectuată de producător, de punctul autorizat de service sau de o altă persoană calificată în acest sens.
4. Înainte de a începe deservirea dispozitivului, trebuie verificat dacă tensiunea acestuia corespunde tensiunii din rețeaua locală de alimentare.
5. Nu acoperiți orificiile de ventilație ale dispozitivului cu ziare, fețe de masă, draperii, ș.a. Trebuie să vă asigurați că deasupra dispozitivului există cel puțin 20 cm de spațiu liber, iar pe fiecare parte a acestuia – cel puțin 5 cm.
6. Nu permiteți ca pe dispozitiv să picure sau să se verse vreun lichid, nu plasați pe acesta obiecte pline cu lichid, cum ar fi vasele.
7. Pentru a evita incendiile sau electrocutarea, dispozitivul trebuie protejat împotriva locurilor fierbinți, ploii, umezelii și prafului.
8. Nu așezați dispozitivul în apropierea oricărei surse de apă, de ex. robinete, căzi, mașini de spălat sau piscine. Dispozitivul trebuie plasat pe o suprafață dreaptă și stabilă.
9. Nu expuneți dispozitivul la câmpuri magnetice puternice.

10. Nu așezați dispozitivul direct pe amplificator sau amplituner.
11. Nu așezați dispozitivul într-un loc umed, deoarece umiditatea are efect dăunător asupra componentelor electrice.
12. După mutarea dispozitivului dintr-un loc rece către un loc cald sau un loc umed, se poate forma condens pe lentila din interiorul playerului. În această situație dispozitivul nu va funcționa corect. Lăsați dispozitivul să funcționeze aproximativ o oră pentru a permite evaporarea umidității.
13. Nu curățați dispozitivul cu solvenți chimici, deoarece aceștia pot distruge lacul carcasi. Dispozitivul se curăță cu o cârpă curată, uscată sau ușor umezită.
14. Când scoateți ștecherul din priză, trageți întotdeauna de ștecher, niciodată de cablul de alimentare.
15. Când dispozitivul pornit este folosit în apropierea televizorului care funcționează, acesta poate fi o sursă de interferență în imagine, sub forma de linii pe ecran. Aceasta depinde de benzile de unde ale transmisiei tv. Aceasta nu înseamnă o funcționare defectuoasă a dispozitivului sau televizorului. Dacă astfel de linii sunt vizibile, dispozitivul trebuie îndepărtat de televizor.
16. Ștecherul de rețea este folosit pentru deconectarea de la tensiunea de alimentare și trebuie să fie mereu accesibil.
17. Pentru a menține capul laserului de citire CD-uri în stare de curățenie, acesta nu trebuie atins și trebuie întotdeauna închis compartimentul de discuri.
18. În timpul folosirii, discul se rotește cu viteză mare. **NU ESTE VOIE să ridicați sau să mutați dispozitivul în timpul funcționării**, deoarece acest lucru poate duce la deteriorarea discului sau a dispozitivului în sine.
19. Înainte de a muta dispozitivul în alt loc sau pe perioada mutării trebuie scos discul și închis compartimentul de discuri. Apoi trebuie oprită alimentarea și deconectat cablul de alimentare. Mutarea dispozitivului cu discul aflat în compartiment poate provoca deteriorarea acestuia.
21. După redarea discului, acesta trebuie plasat în ambalaj. Nu expuneți discurile la acțiunea directă a razelor solare și a sursei de căldură. Nu lăsați discurile în interiorul automobilului parcat în plin soare.
23. Nu atingeți partea fără etichetă a discului. Țineți discul de margine, pentru a nu lăsa amprente. Praful, amprentele sau zgârieturile discurilor pot fi motivul unei funcționări incorecte a player-ului. Nu lipiți hârtiute sau benzi autocolante pe disc.
22. Pentru curățarea discului folosiți o cârpă curată, care nu lasă scame. Începeți curățarea printr-o mișcare rectilinie de la mijlocul discului spre margine, folosind în acest scop agenți de curățare general disponibili sau agenți antistatici pentru discurile de vinil.
23. Pentru a preveni eventuala pierdere de auz, nu ascultați muzică la volum ridicat pentru perioade lungi de timp.



AVERTISMENT: SURSĂ DE RADIAȚIE

CLASS 1 LASER PRODUCT
LUOKAN 1 LASERLAITE
KLASS 1 LASERAPPARAT

COMPACT
disc
DIGITAL AUDIO

Această etichetă înseamnă că în interiorul dispozitivului se află componente laser. Deschiderea capacului compartimentului de discuri CD și oclirea dispozitivului de blocare va expune utilizatorul la acțiunea radiațiilor laserului. Nu priviți fasciculul de laser în timpul funcționării dispozitivului.

ÎNAINTE DE ÎNCEPEREA FUNCȚIONĂRII

Remarci: referitoare la discurile compacte.

Deoarece discurile murdare, deteriorate sau deformată pot provoca deteriorarea dispozitivului, trebuie acordată atenție următoarelor elemente:

- a. Discurile compacte care pot fi utilizate. Pot fi utilizate numai discurile indicate mai jos.
- b. Discuri CD exclusiv cu sunet audio digital.

ATENȚIE



Declarație

Prin prezenta Blaupunkt Competence Center 2N-Everpol Sp. z o.o. [SRL] declară că acest dispozitiv este în conformitate cu cerințele și alte dispoziții corespunzătoare ale directivei 2014/53 / UE. Declarația completă de conformitate poate fi obținută pe pagina www.blaupunkt.com în secția produsului.

Entitate responsabilă: 2N-Everpol Sp. z o.o.
Puławska 403A, 02-801 Varșovia, Polonia
Telefon: +48 22 688 08 00, e-mail: info@everpol.pl



Produsul a fost realizat din materiale și componente de înaltă calitate, ce pot fi reciclate și reutilizate.



Dacă pe dispozitiv există un semn de gunoi tăiat cu roți, înseamnă că produsul este acoperit de prevederile Directivei Europene 2012/19/UE. Pe baza acestui lucru, vă rugăm să respectați reglementările locale și să vă familiarizați cu cerințele pentru sistemul dvs. local de colectare a deșeurilor electrice și electronice și, în cazul acestui produs, să le respectați.

NU ARUNCAȚI ACEST PRODUS CU DEȘEURUL MENAJER!
ACEST PRODUS CONȚINE SUBSTANȚE, AMESTECURI ȘI COMPONENTE PERICULOASE CARE, DACĂ NEAUTORIZATE, POT FI O SURSA DE EFECȚE POTENȚIALE ASUPRA MEDIULUI NATURAL ȘI A SĂNĂTĂȚII UMANE!

Eliminarea corectă a produsului folosit va preveni efectele negative asupra mediului și sănătății umane.



Dispozitivul este echipat cu baterii care fac obiectul directivei europene 2006/66/EU. Bateriile nu pot fi aruncate împreună cu deșeurile menajere. Consultați reglementările locale privind colectarea separată a bateriilor, deoarece eliminarea corectă va împiedica potențialele consecințe negative pentru mediul natural și sănătatea umană.

Informații privind protecția mediului înconjurător

Ambalajul conține doar elementele necesare. S-au făcut toate eforturile ca cele trei materiale componente ale ambalajului să fie ușor de separat: cutia de carton (cutia), spuma de polistiren (protecție interioară) și polietilena (pungi, folie protectoare). Dispozitivul a fost produs din materiale ce pot fi reciclate și reutilizate după demontarea lor de către o firmă specializată. Trebuie respectate reglementările locale referitoare la eliminarea materialelor de ambalare, bateriilor folosite și a echipamentelor inutile.

Înregistrarea și redarea materialelor poate necesita obținerea unei autorizații. Consultați legea referitoare la drepturile de autor și drepturile executanților / artiștilor.

Remarcă referitoare la ERP2 (dispozitive legate de energie)

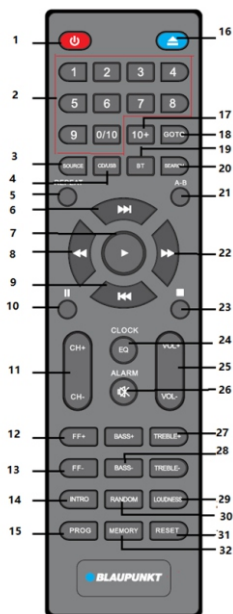
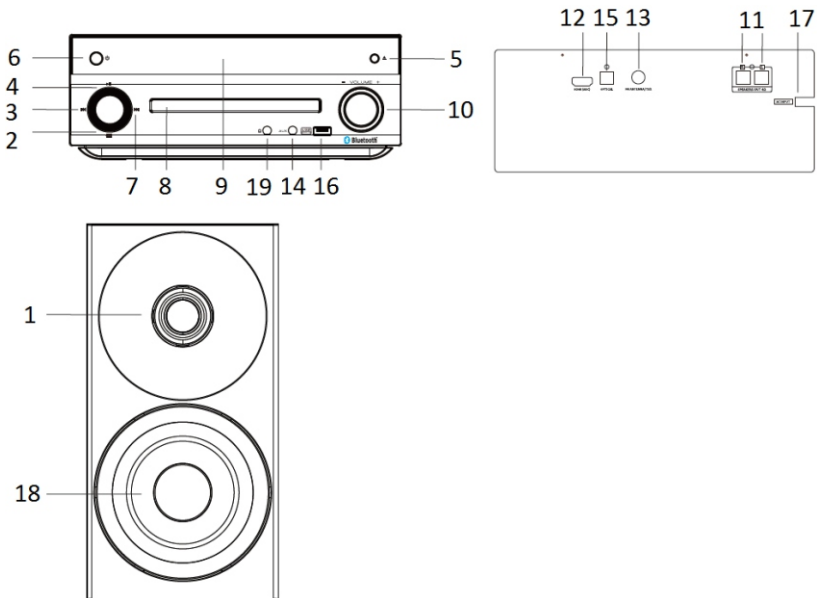
Prezentul dispozitiv cu ecoproiect îndeplinește cerințele etapei 2 din Regulamentul Comisiei (CE) nr 1275/2008 care introduce directiva 2009/125/CE referitoare la consumul de energie al dispozitivelor electronice de birou și de uz casnic, închise sau aflate în regim de stand by.



Proprietarul mărcilor comerciale și sigle Bluetooth® este compania Bluetooth SIG, Inc. USA. Folosirea acestor mărci și sigle este supusă unei licențe. Alte mărci și denumiri comerciale aparțin respectivilor proprietari.

Vă mulțumim că ați achiziționat produsul nostru, citiți cu atenție acest manual înainte de a utiliza dispozitivul. Păstrați instrucțiunile pentru referințe ulterioare.

Localizarea elementelor de control



- 1 - difuzor pentru sunete inalte; 2 - Selectarea sursei; 3 -Tasta „anterior”;
- 4 - Tasta redare/pauză; 5 - Tasta extragerea tăvii CD; 6 - Tasta standby;
- 7 - Tasta „următoare”; 8 - Tavă CD; 9 - Afișaj;
- 10 - Buton rotativ de reglare a volumului de sunet;
- 11 - Priză pentru difuzoare (4 ohm); 12 - Intrare HDMI(ARC);
- 13 - Priză pentru antena FM 75 de ohmi; 14 - Priză AUX IN; 15 - Intrare optică;
- 16 - Port USB; 17 - Priză de alimentare AC;
- 18---difuzor pentru sunete medii-joase;
- 19---ieșișire pentru căști;

Telecomandă

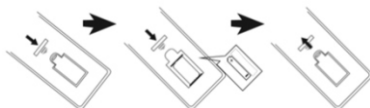
- 1—Pornirea/oprirea alimentării; 2—Butoane numerice; 3—Sursă;
- 4—Buton CD/USB;
- 5—Reluare (reluare tot, reluarea unei piese, reluarea dosarului, reluare oprită);
- 6—Următor; 7—Redare; 8—Derulare rapidă înapoi; 9—Anterior;
- 10—Pauză; 11—Canal +/-; 12—Frecvență FM +; 13—Frecvență FM -;
- 14—Butoanele funcției intro; 15—Programare; 16—Extragerea tăvii pentru CD;
- 17—10+; 18—Buton GOTO; 19—Bluetooth; 20—Căutarea frecvenței FM;
- 21—Repetarea fragmentului melodiei A-B; 22—Derulare rapidă înainte;
- 23—Stop; 24—Ceas/EQ((Music-Game-News-Movie) 25—Volum sonor +/-;
- 26—Alarma/fără sunet; 27—Reglare sopran +/-; 28—Reglare bas +/-;
- 29—Intensitate sonoră; 30—Redare aleatorie pornit /oprit; 31—Reset;
- 32—Memorie;

Conectarea difuzoarelor și a sursei de alimentare

1. Pentru a conecta difuzoarele la unitatea principală, introduceți ștecherul de la cablul de difuzoare în priză pentru difuzoare, accesibilă pe panoul din spate al carcasei unității principale. Conectați difuzorul stâng la priză marcată cu litera L și difuzorul drept la priză marcată cu litera R.
2. Verificați dacă sursa de alimentare corespunde specificațiilor de tensiune nominală, care se află pe panoul din spate al unității principale. Dacă nu se potrivește, contactați vânzătorul sau centrul de service.
3. Conectați cablul de alimentare al unității principale la priză electrică de perete, ecranul se va aprinde și va afișa formatul orei.
4. În cazul în care sistemul nu este utilizat pentru o perioadă lungă de timp - deconectați cablurile de alimentare pentru a întrerupe complet curentul electric.

Instalarea bateriei telecomenzii

Deschideți capacul compartimentului pentru baterie și introduceți 2 baterii AAA (inclusă în set); asigurăți-vă că polaritatea bateriei va corespunde simbolurilor pozitive și negative gravate în compartiment. Apoi, închideți capacul compartimentului pentru baterii.



Note:

- a. Distanța de lucru a telecomenzii este de 7 metri fără obstacole între telecomandă și unitatea principală. Când acționați telecomanda, vizați senzorul situat în colțul din stânga al ecranului de afișare.
- b. Sensibilitatea telecomenzii va scădea pe măsură ce bateria se va descărca. Înlocuiți-o cu una nouă, astfel încât telecomanda să funcționeze corect.
- c. Scoateți bateria în cazul în care nu folosiți telecomanda pentru o perioadă lungă de timp.
- d. Bateria se va elimina în mod ecologic. Consultați cerințele de eliminare ale autorităților locale.

Utilizare generală

1. **Pornire / oprire și mod de așteptare:** Afișajul se va aprinde după ce dispozitivul este conectat corect la sursa de curent alternativ; scoateți fișa AC pentru a opri complet alimentarea. Apăsăți butonul de alimentare de pe panoul frontal sau de pe telecomandă pentru a porni și a opri modul de așteptare.
2. **Mut:** apăsați butonul MUTE de pe telecomandă pentru a opri sunetul; reapăsați-l pentru a relua redarea. De asemenea, puteți relua redarea prin apăsarea butonului de volum +/-.
3. **Selectarea modului de redare:** apăsați de mai multe ori butonul SOURCE, pentru a comuta modul de redare între CD / USB/FM / AUX IN / Bluetooth/HDMI/Intrare /optică. Apăsăți butonul CD / USB de pe telecomandă pentru a comuta modul de redare CD și USB. Apăsăți tasta de selectare a sursei de pe panoul frontal pentru a obține aceleași funcții.
4. **Reglarea volumului:** apăsați butonul VOL +/- de pe telecomandă sau rotiți butonul de volum de pe panoul frontal pentru a crește sau a reduce volumul de ieșire.
5. **Egalizator de sunet:** apăsați scurt butoanele de reglare a sopranelui +/- sau bass-ului +/- de pe telecomandă pentru a regla setarea pentru bass și tonalitățile înalte sau joase pentru ieșirea audio.
7. **Butoane numerice 0 ~ 9 și butonul 10+:** Introduceți cifrele corespunzătoare și apăsați butonul așteaptă un moment, și apoi aparatul va reda numărul selectat al piesei. Apăsarea butonului 10 + vă permite să săriți peste 10 piese în cazul suportului pe care sunt înregistrate mai mult de 10 piese; Această funcție este disponibilă în modul de redare CD și USB.
8. **Redare, pauză și oprire:** În modul CD / USB / Bluetooth apăsați butonul de redare și pauză pentru a relua redarea; În modul CD și USB apăsați butonul de oprire pentru a opri redarea, apăsați butonul de redare pentru a relua redarea muzicii.
9. **Precedent și următor, navigare înainte și înapoi:** apăsați scurt butonul înainte /înapoi pentru a trece la redarea ultimei sau a următoarei piese; Apăsăți și țineți apăsat butonul de navigare înainte /înapoi pentru de la telecomandă a naviga înainte sau înapoi piesa curentă și pentru a reveni la redarea normală după eliberarea butonului.
10. **Redarea repetată:** în modul CD și USB apăsați de mai multe ori butonul de redare pentru a repeta o singură piesă, reluare dosar, pentru a repeta întregul conținut al suportului sau pentru a opri repetarea;
11. **Redare aleatorie:** apăsați butonul de redare aleatorie pentru a porni sau a opri redarea aleatorie.
12. **Introducerea discului CD:** Apăsăți butonul de deschidere a capacului CD pentru a-l deschide și, apoi, introduceți discul CD. Reapăsați butonul pentru a închide capacul CD.
13. **Intensitate sonoră (Loudness):** apăsați scurt butonul pentru a accentua timbrul sunetului.
14. **Cășți:** Conectați căștile la mufa pentru căști situată pe panoul frontal, după conectarea căștilor, sunetul de la difuzoare va fi dezactivat și va fi disponibil doar de la căști. Reglați volumul.
15. **Reluați redarea unui anumit fragment al melodiei:** în modul CD / USB, apăsați scurt butonul A-B de pe telecomandă pentru a selecta punctul de pornire al fragmentului selectat al melodiei, apăsați din nou pentru a selecta punctul final; atunci aparatul va repeta partea specificată a melodiei până când apăsați din nou A-B pentru a anula și relua redarea normală.

16. Resetare sistem: în modul CD, extrageți tava CD (fără a închide), țineți apăsată tasta de resetare timp de 3 secunde pentru a afișa „resetare” pe ecran, iar sistemul va fi resetat.

Redarea discului CD

Acest model are funcția de a reda discurile CD / CD-R-RW și fișierele cu muzică înregistrate în formate audio MP3 / WMA (Discurile DVD nu sunt redade). Înainte de a începe redarea discului CD, verificați dacă pe CD nu există puncte murdare sau zgărieturi, în caz contrar aparatul nu va putea citi discul CD sau redarea va fi însoțită de sunete nedorite.

1. Apăsați de mai multe ori butonul de selecție a sursei sau butonul CD / USB de pe telecomandă pentru a trece la redarea CD.
2. Apăsați butonul de deschidere pentru a deschide capacul CD și introduceți discul CD; închideți capacul CD. Aparatul va începe în mod automat citirea și redarea discului CD.
3. Creaază-ți propria listă de redare (posibilitatea de programare a maxim 20 de piese pentru discurile CD și de până la 99 de piese pentru discurile WMA / MP3)
 - a. În modul de redare CD, apăsați mai întâi butonul stop și, apoi, apăsați butonul de programare pentru a începe crearea listei.
 - b. Pe ecranul se va afișa inscripția „XXX PXX”, apăsați butonul înapoi/înainte sau 10+ pentru a selecta piesa pe care doriți s-o programați și, apoi, apăsați butonul de programare pentru a confirma.
 - c. Apoi, ecranul va afișa piesa programată și va trece la setarea următoarei piese. De exemplu, „006 P01” înseamnă că piesa numărul 6 a fost programată ca piesa numărul 01.
 - d. Repetați pașii de mai sus b și c pentru a seta următoarele piese până la momentul când pe ecranul de afișare va apărea mesajul "FULL".
 - e. Apoi, apăsați butonul de redare pentru a începe redarea listei programate.
 - f. Pentru a anula și șterge lista programată de redare, apăsați tasta de oprire de două ori de oprire sau scoateți discul CD.
4. În timpul redării CD-ului sunt disponibile următoarele funcții: repetare și pauză, stop, mut, repetare aleatorie, selecție de piese, funcția EQ, navigare înainte și înapoi, selecția rapidă cu ajutorul butoanelor numerice, etc. Vă rugăm să consultați secțiunea referitoare la utilizarea generală din prezentul manual.

Utilizarea radio-ului FM

Înainte de a începe ascultarea radioului FM, conectați antena FM furnizată la mufa FM de pe panoul din spate sau mutați aparatul lângă fereastră pentru a obține o recepție FM mai bună.

1. **Scanarea automată și programarea posturilor de radio:** Apăsați de mai multe ori butonul de sursă pentru a trece la modul radio FM; apăsați scurt butonul de scanare a frecvenței FM sau butonul de redare / pauză (2 secunde) de pe panoul frontal pentru a scana în mod automat și a salva posturile radio disponibile. Aparatul poate salva până la (max.) 40 de posturi. Apăsați scurt butonul înapoi/înainte sau apăsați butonul canal +/- sau butonul numeric de pe telecomandă a selecta postul programat.
2. **Reglarea manuală sau scanarea automată:** apăsați scurt butonul FF +/- pentru a mări sau micșora frecvența cu 0,01 MHz; apăsați și țineți apăsat timp de 2 secunde butonul FF +/- sau înapoi / înainte de pe panoul frontal pentru a scana automat posturile FM disponibile în partea de jos sau de sus a benzii și, apoi, scanarea se va opri și aparatul va reda în mod automat postul disponibil.
3. **Programarea automată a postului:** după setarea postului preferat prin reglarea manuală sau scanarea automată, apăsați mai întâi butonul de memorie de pe telecomandă, iar cifrele numărului postului vor lumina intermitent pe ecranul de afișare, apăsați butonul canal +/- pentru a schimba numărul sub care doriți să salvați postul respectiv. Apoi, apăsați butonul de memorie pentru a confirma alegerea; iar postul FM actual va fi salvat. Repetați operațiunea pentru a salva un alt post.
4. **Mergeți la o anumită frecvență:** apăsați mai întâi butonul GOTO de pe telecomandă, apoi introduceți frecvența specifică a postului FM de ex. 1-0-4-3 folosind butoanele numerice și apoi treceți la redarea acesteia.

Utilizarea USB

Produsul are funcția de redare USB care poate decoda și reda muzica de pe dispozitive USB. Înainte de a începe operațiunea , copiați muzica în formatul MP3 / WMA pe memoria USB. Memoria USB maximă acceptată poate avea o capacitate de până la 32 GB.

1. Înainte de porni redarea de pe USB, asigurați-vă că memoria USB a fost conectată corect la portul USB. Apoi, treceți la modul de redare USB prin apăsarea butonului de selecție a sursei sau a butonului CD / USB de pe telecomandă. Aparatul va decoda și va începe să redea muzica în mod automat, după câteva secunde.
2. În modul USB sunt disponibile funcțiile: redare și pauză, oprire, mut, repetare, egalizator, navigare înainte și înapoi, etc. Vă rugăm să consultați secțiunea referitoare la utilizarea generală din prezentul manual.

Note:

- a. Nu se recomandă conectarea memoriei USB prin intermediul unui cablu prelungitor USB, deoarece acest lucru poate cauza zgomot sau întrerupere sunetului din cauza pierderii datelor audio în timpul transmisiei.
- b. Nu este garantată decodarea și redarea tuturor fișierelor MP3 / WMA.
- c. Capacitatea maximă a suportului USB este de 32 GB.
- d. Decodarea și redarea anumitor suporturi USB poate dura mai mult; Rețineți că nu este vorba despre o funcționare defectuoasă.

Utilizarea Bluetooth

Acest produs are funcția Bluetooth care vă permite să redați fără fir muzică de la un alt dispozitiv Bluetooth.

1. Apăsați de mai multe ori butonul de selecție a sursei pentru a trece la modul Bluetooth, pe ecranul de afișare va apărea mesajul "BLUE+T". Porniți funcția Bluetooth în dispozitivul extern și începeți căutarea dispozitivelor Bluetooth disponibile (citiți instrucțiunile de utilizare a dispozitivului extern) și, apoi, verificați lista dispozitivelor Bluetooth gata de cuplat.
2. Selectați „BP MS30.2BT” pentru asociere; după o conectare reușită la dispozitivul Bluetooth, mesajul BLUE-T de pe afișaj va înceta să clipească.
3. În dispozitivul Bluetooth extern selectați și redați muzica, și apoi sunetul va fi redat prin difuzoarele acestui aparat.
4. Apăsați butonul înapoi/înainte pentru a selecta ultima sau următoarea piesă în timpul redării.
5. În modul Bluetooth sunt disponibile următoarele funcții: redare / pauză, mut, egalizator, etc. Vă rugăm să consultați

secțiunea referitoare la utilizare generală din prezentul manual.

6. Apăsarea lungă (3 secunde) a butonului de redare/pauză de pe panoul frontal poate deconecta asocierea cu dispozitivul Bluetooth actual.

Nota:

- Nu este garantată cuplarea corectă cu toate dispozitivele Bluetooth din cauza diferitelor modele și producători.
- Raza de acoperire Bluetooth este de 10 metri fără obstacole între dispozitive.
- Aparatul poate și cuplat și poate funcționa doar cu un singur dispozitiv Bluetooth.
- Opriiți cuplarea Bluetooth curentă înainte de cuplarea cu un alt dispozitiv, în caz contrar "BP MS30.2BT" nu va fi afișat pe lista dispozitivelor gata de cuplat.

Utilizarea intrărilor digitale

Acest model are o intrare optică digitală și una HDMI (ARC) care îi permit să fie conectat la un televizor sau la alte dispozitive externe compatibile pentru redarea sunetului.

Intrare optică: Folosind un cablu optic (nu este inclus), conectați portul de ieșire al televizorului sau al altui dispozitiv la intrarea optică încorporată în acest model. Apăsăți ide câteva ori tasta de selectare a sursei pentru a intra în modul de intrare optică. Verificați și reglați nivelul volumului atât al acestui dispozitiv, cât și al televizorului sau al altui dispozitiv extern, selectați și redați conținutul dorit, apoi sunetul va fi redat cu ajutorul acestui model.

Intrare HDMI (ARC): Acest model acceptă conectorul HDMI cu ARC (canal de întoarcere audio); Dacă televizorul este compatibil cu standardul HDMI ARC (vă rugăm să verificați specificațiile televizorului pentru a afla detaliile), puteți reda sunet de la televizor utilizând difuzoarele acestui model. Folosind cablul HDMI (nu este inclus), conectați acest dispozitiv la televizor, apăsați de câteva ori tasta de selectare a sursei de pe acest model pentru a intra în modul HDMI, sau sursa va trece automat în modul HDMI după ce televizorul este conectat și pornit cu succes. Reglați nivelul volumului, selectați și redați conținutul de pe televizor, apoi sunetul programului selectat va fi redat cu difuzoarele acestui dispozitiv.

Notă!

- În modul de redare a semnalului din intrarea digitală (optică și HDMI ARC), setați ieșirea semnalului audio a televizorului sau a dispozitivului extern la „PCM stereo” sau „stereo 2.0” (detalii în manualul de utilizare al televizorului sau al dispozitivului extern), în caz contrar, acest dispozitiv nu va reda sunetul.
- Asigurați-vă că televizorul dvs. acceptă conectorul ARC HDMI. Televizorul poate avea mai multe porturi HDMI, așa că verificați și conectați corect portul de ieșire HDMI ARC, informația despre portul care acceptă HDMI ARC se află de obicei lângă port (vă rugăm să verificați manualul de utilizare al televizorului sau specificația acestuia).
- Când alegeți și cumpărați un cablu HDMI pentru conectare, asigurați-vă că acesta acceptă standardul HDMI V1.3 și versiuni mai noi și că acesta este un cablu cu 19 fire.
- Dacă sunetul sau semnalul intermitent de ieșire lipsesc, verificați cu atenție mențiunile de mai sus și asigurați-vă că conexiunea dintre micro coloana de boxe și celălalt dispozitiv este corectă.
- În modul de redare a semnalului din intrarea digitală, ajustarea nivelului de volum/setarea egalizatorului/funcția de amortizare a sunetului etc. sunt disponibile cu ajutorul telecomenzii.

Utilizarea modului LINE IN (AUX IN)

Pentru a conecta și reda muzica de la un alt player sau sursă, realizați următorii pași:

- Cu ajutorul cablului audio (3.5mm din 3.5mm stereo) furnizat conectați mufa AUX IN (tip 3.5mm stereo) frontal panoul spate al unității principale, iar celălalt port stereo 3,5 mm conectați-l la ieșirea liniară sau mufa pentru căști a playerului extern. Selectați modul AUX IN prin apăsarea butonului de sursă.
- Redați muzica pe playerul extern iar sunetul va fi redat cu ajutorul difuzoarelor acestui aparat.
- În modul de redare AUX IN, controlul principal se realizează prin playerul extern. În acest aparat puteți controla volumul, egalizatorul EQ și puteți opri sonorul.

Setare ceas și alarmă (trezire cu redarea melodiilor și redare automată)

Dispozitivul este echipat cu un ceas și cu o alarmă, care vă permite să utilizați setul HIFI ca alarmă. Dispozitivul va începe redarea muzicii în mod automat la ora setată anterior.

1. Setarea ceasului: pentru a începe setarea ceasului, în stare de repaus apăsați butonul „CLOCK” de pe telecomandă și țineți-l timp de câteva secunde. Ora afișată va începe să clipească pe afișaj; apăsați butonul butonul canal +/- pentru a selecta formatul de afișare a timpului de 12/24 ore. Pentru a confirma selecția formatului apăsați butonul „CLOCK” de pe telecomandă. Când cifrele orei vor începe să clipească pe afișajul apăsați butonul butonul canal +/- pentru a seta ora corectă, iar apoi apăsați din nou butonul „CLOCK” pentru a confirma alegerea dvs. După ce cifrele minutelor vor începe să clipească pe afișajul apăsați butonul butonul canal +/- pentru a seta minute, iar apoi apăsați din nou butonul „CLOCK” pentru a confirma alegerea dvs. și pentru a finaliza setarea orei.

2. Setarea alarmei: pentru a începe setarea alarmei, în modul ceas apăsați butonul „ALARM” de pe telecomandă și țineți-l timp de câteva secunde. apoi pe afișaj va apărea ora alarmei; apăsați tasta de schimbare a canalului +/- pentru a seta ora de alarmă dorită, și apoi apăsați tasta ceasului pentru a confirma alegerea; acum treceți la setarea celorlalți parametri: minute/sursă de alarmă (FM/CD/USB)/volumul sunetului de trezire, ceea ce este operațiunea similară cu setarea orelor de alarmă. Apăsați din nou tasta de alarmă pentru a confirma și finaliza alegerea.

Notă:

- Setările ceasului și alarmei sunt disponibile numai dacă dispozitivul este conectat la o sursă de alimentare. Ceasul și alarma trebuie setate din nou după fiecare pană de curent.
- După ce alarma a fost setată corect, pe afișaj va apărea pictograma de alarmă. O apăsare scurtă a butonului „ALARM” în modul standby dezactivează alarma, iar o apăsare scurtă repetată a butonului „ALARM” va activa alarma.
- După activarea alarmei dispozitivul va activa funcția redării (CD/FM radio/USB) în mod automat, apăsați tasta de alimentare pentru a dezactiva alarma.

Remedierea problemelor**1. Aparatul nu poate fi pornit**

- a. Verificați dacă cablul de alimentare este conectat corect la priza de perete.
- b. Contactați centrul service în caz dacă apare problema.

2. Lipsă de sonor.

- a. Încercați se reglați volumul.
- b. Verificați dacă ați ales modul corect de redare.
- c. În caz de probleme, vă rugăm să contactați centrul de service.

3. CD-ul nu poate fi redat.

- a. Înlocuiți și redați un alt CD cu muzica în formatul CD / CD-R-RW / MP3 / WMA.
- b. Încercați să curățați CD-ul.
- c. În caz de probleme, vă rugăm să contactați centrul de service

4. Zgomot în modul FM.

- a. Desfaceți total antena FM, ajustați direcția antenei.
- b. Mutați unitatea lângă fereastră.
- c. Selectați altă frecvență.

5. Sonorul întrerupt în timpul redării Bluetooth.

- a. Mutați dispozitivul Bluetooth mai aproape de acest aparat.
- b. Oprii funcția Bluetooth din dispozitivul extern și reporniți-o.

6. Telecomanda nu funcționează corect.

- a. Îndreptați telecomanda către senzorul situat pe partea stângă a ecranului de afișare.
- b. Înlocuiți bateria cu una nouă din cauza nivelului scăzut de încărcare.

Specificații

Sursa de alimentare: AC 110-240 V, 50/60 Hz

Compatibil cu CD: CD / CD-R-RW / MP3 / WMA

Frecvență FM: 87,5-108,0 MHz

Parametrii USB: 5 V, 500 mA, versiunea 2.0, dispozitive compatibile de până la 32 GB

Bluetooth:5,0, distanța de lucru de până la 10 metri.

Intrare HDMI ARC V2.0, 1 x intrare optică.

Puterea de ieșire RMS: 2 x25 W

Consum de energie: 60W total

Consum de energie în modul de așteptare: <0,5W

(Nota: specificațiile de mai sus pot fi modificate fără o notificare prealabilă.)

ВАЖНИ ИНСТРУКЦИИ ЗА БЕЗОПАСНОСТ

ОПАСНОСТ ОТ ТОКОВ

**УДАР
НЕ ОТВАРЯЙ**
Внимание:

За да се намали рискът от токов удар, не се разрешава демонтиране на капака, дори и на задната част на устройството. В самото устройство няма елементи, предназначени за самостоятелно ремонтване от потребителите. С обслужване и ремонтване на оборудването се занимават единствено квалифицирани служители на сервиса.

Обяснение на графичните символи:


Светкавица, завършваща със стрелка, в равностранен триъгълник предупреждава потребителя за неизоллирано, „опасно“ напрежение около устройството, което напрежение може да има размери, заплашващи с токов удар.



Удивителният знак в равностранен триъгълник предупреждава потребителя, че в този момент в документацията, прикачена към устройството, се предоставя важна информация за обслужването и запазването на оборудването.

Моля, прочетете тази инструкция, преди да пристъпите към обслужване на устройството, за да се запознаете с неговите функции и да го използвате съгласно неговото предназначение. Това ще Ви осигури дълготрайно, безаварийно обслужване на устройството и удоволствие от използването му.

Важна информация

- Запазете инструкцията за ползване, както и информацията за безопасност, с цел използване в бъдеще.
- Да не се допуска прокапване или протичане на течност върху устройството.
- Също да не се използва на влажни места като например в баня.
- Да не се инсталира това устройство на следните места:
- Изложени на непосредствено действие на слънчеви лъчи или близо до радиатори.
- Да не се поставя на повърхността на друго стереофично оборудване, което отделя топлина.
- Ако ще блокира вентилация или в прашно помещение.
- На места, изложени на постоянна вибрация.
- На места с висока влажност.
- Да не се поставя устройството близо до свещи или открит огън.
- Устройството може да се използва единствено по начина, описан в настоящата инструкция.
- Преди първото включване на захранването трябва да се уверите, че зарядното устройство е включено правилно.
- USB паметта се свързва непосредствено или с помощта на USB кабел с дължина до 25 см.

От съображения за сигурност да не се демонтират конструкциите, както и да не се осигурява достъп до вътрешността на устройството. Забранено е отварянето на устройството, както и отварянето на неговата конструкция, тъй като вътре няма части, които биха могли да бъдат поправени от потребителя. С обслужването и поправката на оборудването се занимават единствено квалифицирани служители на сервиса.

ИНСТРУКЦИИ ЗА БЕЗОПАСНОСТ

1. Прочетете инструкцията – преди употреба прочетете цялата инструкция за обслужване, както и информацията за безопасност.
2. Запазете инструкцията – запазете инструкцията за употреба и обслужване с цел по-нататъшно използване.
3. Спазвайте предупрежденията – постъпвайте съгласно с всички предупреждения, поместени на устройството и съгласно с инструкцията за употреба.
4. Спазвайте инструкциите – постъпвайте съгласно с инструкцията за употреба и насоките за потребителя.
5. Инсталация - настройвайте устройството в съответствие с инструкциите на производителя.
6. Източници на захранване - захранвайте устройството само от източници с параметри, посочени на захранващия кабел. Ако не сте сигурни каква енергия имате въкъси, трябва да се свържете с продавача на устройството или местния доставчик на електрическа енергия.
7. Заземяване или поляризация на захранването – устройството не трябва да бъде заземявано. Уверете се, че щепселът е изцяло пъхнат в електрическата мрежа или удължителния кабел, за да не се откриват щифтовете или контактите. Някои версии на устройството могат да бъдат оборудвани с поляризиран адаптер за променлив ток (с по-широк щифт). Този щепсел може да бъде вкаран в гнездото само по един начин. Това е функция за обезопасяване. Ако не можете да поставите щепсела в гнездото, опитайте да го обърнете. Ако щепселът все още не се побира в гнездото, поискайте от електротехник да го смените. Не изваждайте предизпителите от поляризиращ щепсел. Ако използвате удължителен кабел или захранващ кабел, различен от тези, предоставени с устройството, той трябва да има съответните щепсели и одобрения за безопасност, изисквани в дадената страна.
8. Обезопасяване на захранващия кабел - Захранващите кабели трябва да бъдат насочвани така, че да не може да се стъпва по тях, да не бъдат притискани или прерязани от поставени върху тях предмети. Обърнете специално внимание на щепселите, контактите и мястото, където кабелите се извеждат от устройството.
9. Претоварване - Не претоварвайте стенните контакти, удължителите и електро-разпределителите, тъй като това може да доведе до пожар или токов удар.
10. Вентилация - устройството трябва да бъде охлаждаемо правилно. Не поставяйте устройството на легло, диван или подобни повърхности. Не покривайте уреда с покривки, салфетки, вестници и др.
11. Топлина - не поставяйте устройството в близост до източници на топлина като радиатори, лъчеви нагреватели, печки или други уреди (включително топлинни генератори), които произвеждат топлина. Не поставяйте запалени свещи или друг открит огън върху устройството.

12. Вода и влага - За да намалите риска от пожар или токов удар, не излагайте устройството на пряк дъжд, вода или влага, например в сауната или в банята. Не използвайте това устройство близо до вода като вана, мивка, кухненска мивка или вана, в мокро помещение или в близост до плувен басейн (или на подобни места).
13. Предмети и течности в устройството - не вкарвайте предмети през отворите на устройството, тъй като могат да влязат в контакт с опасни точки и компоненти на напрежение, което може да доведе до пожар или токов удар. При никакви обстоятелства не трябва да разливате течности по повърхността на устройството. Не поставяйте върху устройството предмети, съдържащи течности.
14. Почистяване - Преди почистяване винаги изключвайте устройството от контакта. Прахът около високоговорителя може да премахнете с помощта на суха кърпа. Ако за почистяването ще използвате аерозол, не насочвайте пръскачката директно към устройството, а към кърпата. Внимавайте да не повредите задвижващите устройства.
15. Допълнително оборудване - Не използвайте аксесоари, които не са одобрени от производителя, тъй като те могат да представляват риск.
16. Аксесоари - Не поставяйте устройството върху нестабилна количка, стойка, статив, конзола или маса. Устройството може да се преобръне и повреди, както и може да причини сериозни наранявания у деца или възрастни. Използвайте само колички, стойки, стативи, конзоли и маси, определени от производителя или продавани заедно с устройството. Сглобете уреда съгласно инструкциите на производителя, като използвате монтажния комплект, препоръчани от производителя.
17. Преместване на устройството - устройството, поставено на количката, трябва да се премества много внимателно. Внезапно спиране, твърде голяма сила или неравна повърхност може да доведе до преобръщане на количката заедно с устройството.
18. Период на неизползване на устройството - Изключете захранващия кабел от контакта по време на гръмотевищни бури, или когато не използвате уреда за по-дълъг период от време.
19. Обслужване - не се опитвайте самостоятелно да правите преглед на устройството. Отварянето на капака може да доведе до опасно напрежение и да изложи потребителя на други опасности. С консервация и ремонтниране на оборудването се занимават единствено квалифицирани служители на сервиза.
20. Когато устройството не е в употреба, извадете захранващия кабел от контакта. Когато устройството е свързано към източник на захранване, то е в режим на готовност и не е напълно изключено.
21. Резервни части - при подмяна на части се уверете, че техникът е използвал препоръчаните от производителя резервни части или също, че частите са идентични с оригиналните. Подмяната с неодобрени части може да доведе до пожар, токов удар или други опасности.
22. Главни предпазители - за да предпазите устройството за постоянно от пожар, използвайте предпазители от съответния тип и параметри. Параметрите на предпазителите в даден обхват на напрежение са обозначени на устройството.
23. Не увеличавайте силата на звука, когато слушате част от песен с ниска сила на звука или при липсата на входен аудио сигнал. В противен случай при бързо увеличаване на силата на сигнала може да се стигне до повреда на високоговорителя.
24. Единственият начин за напълно изключване на устройството от източника на захранване е да изключите захранващия кабел от контакта или от устройството. Винаги, когато използвате устройството, трябва да има достъпен захранващ контакт или захранващ кабел.
25. Устройството трябва да се постави близо до контакт или удължителен кабел и така, че да е винаги достъпно.
26. Максималната температура на околната среда на устройството е 35 ° C.
27. Инструкции за електростатично разреждане - ако работата на устройството е прекъсната от електростатичен разряд, изключете уреда и повторно включете устройството или го преместете на друго място.
28. Батерия
 - a. Не излагайте батериите на прекомерна топлина като например слънчеви лъчи, огън и др.
 - b. Когато използвате батериите, обърнете внимание на изискванията за опазване на околната среда.
- в. Предупреждение за използване на батерията: За да не се стигне до изтичане на батерията, което може да доведе до нараняване или повреда на устройството:
 - , При поставяне на батерията, обърнете внимание на нейните полюси (+ и -).
 - , Не използвайте едновременно различни батерии - стари и нови, стандартни и алкални и др.
 - , Извадете батериите от устройството, ако няма да го използвате за по-дълъг период от време.

ВНИМАНИЕ

- Устройството не трябва да се използва от хора (включително деца) с намалени физически, сензорни или психически способности и лица с недостатъчни познания и опит, освен ако не са под наблюдението на лице, отговорно за тяхната безопасност и не са инструктирани как безопасно да използват устройството. Необходимо е присъствие на възрастни, ако устройството се използва от деца; това ще осигури безопасно използване на устройството.
1. Не оставяйте устройството без надзор! Изключвайте устройството, когато не го използвате, дори и за кратко време.
 2. Не включвайте устройството чрез възнен часовник, нито чрез отделна система за дистанционно управление.
 3. За да избегнете опасност при повреда на захранващия кабел, подмяната трябва да се извърши от производителя, от упълномощен сервизен център или от друго квалифицирано лице.
 4. Преди да използвате уреда се уверете, че напрежението му съответства на напрежението на местното захранване.
 5. Не покривайте вентилационните изходи, например с вестници, покривки, завеси и др. Уверете се, че над устройството има най-малко 20 см свободно пространство и от всяка страна на уреда - най-малко 5 см.
 6. Не допускайте да капят или да се разливат течности или не поставяйте предмети, съдържащи течности като например вази.
 7. За да избегнете пожар или токов удар, предпазвайте устройството от горещи места, дъжд, влага и прах.
 8. Не поставяйте устройството близо до водоизточници като кранове, вани, перални машини или плувни басейни. Поставете устройството на равна и стабилна повърхност.
 9. Не излагайте устройството на силни магнитни полета.
 10. Не поставяйте устройството директно върху усилвателя или приемника.
 11. Не поставяйте устройството на влажно място, тъй като влагата има вреден ефект върху електрическите компоненти.
 12. При внасяне на устройството от студено на топло или на влажно място, може да се образува конденз върху обектива въртре в плъфера. В този случай устройството няма да работи правилно. Оставете включения уред в продължение на около един час, за да може влагата да се изпари.

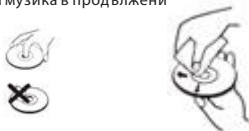
13. Не почиствайте устройството с химически разтворители, тъй като те могат да повредят лаковото покритие на конструкцията. Избършете устройството с чиста, суха или леко влажна кърпа.
14. Когато изваждате щепсела от контакта, винаги издърпвайте щепсела, а не захранващия кабел.
15. Когато устройството е включено в близост до телевизор, то може да е източник на смущения под формата на линии на екрана. Това зависи от дължината на телевизионната вълна. Не означава неизправност на устройството или телевизора. Ако видите такива линии, преместете устройството далеч от телевизора.
16. Захранващият щепсел се използва за изключване на захранващото напрежение и трябва да е винаги на разположение.
17. За да запазите лазерната глава за четене на CD чиста, не я докосвайте и винаги затваряйте гнездото за дискове.
18. По време на възпроизвеждане дискът се върти при висока скорост. НЕ повдигайте и не премествайте устройството, когато е в режим на работа, тъй като това може да повреди диска или самото устройство.
19. Преди да преместите устройството на друго място или по време на преместването, извадете диска и затворете гнездото за дискове. След това изключете захранването и извадете захранващия кабел. Преместването на устройството с диск в гнездото за дискове може да повреди устройството.
20. След използване на диска, го поставете в опаковката. Не излагайте диска на пряка слънчева светлина и топлина. Не оставяйте дисковете в кола, паркирана на слънце.
21. Не докосвайте страната на диска без етикет. Хващайте дисковете за техния край, за да не оставите отпечатъци. Прахът, отпечатъците от пръсти или драскотините по диска могат да причинят неизправност на плейъра. Не летете лепелки или самозалепващо тиксо по диска.
22. Почиствайте диска с чиста кърпа, която не оставя влакна. Започвайте с праволинейно движение от средата на диска до неговия край, като за целта използвайте обичайните почистващи препарати или антистатични средства за винилови дискове.
23. За да предотвратите евентуална загуба на слух, не слушайте силна музика в продължителни периоди от време.



ВНИМАНИЕ: ИЗТОЧНИК НА РАДИАЦИЯ

CLASS 1 LASER PRODUCT
LUOKAN 1 LASERLAITE
KLASS 1 LASERAPPARAT

COMPACT
disc
DIGITAL AUDIO



Този етикет означава, че вътре в устройството има лазерни компоненти. Отварянето на капака на гнездото за дискове и заобикалянето на защитните блокади ще изложи потребителя на лазерно лъчение. Не гледайте лазерния лъч, докато устройството работи.

ПРЕДИ ДА ЗАПОЧНЕТЕ РАБОТА

Забележки: относно компактни дискове.

Тъй като мръсните, повредени или деформирани дискове могат да доведат до повреда в устройството, обърнете внимание на следното:

- a. Компактни дискове, които можете да използвате. Може да използвате само долупосочените компактни дискове.
- b. Само CD с цифров аудио звук.

ВНИМАНИЕ



Декларация

С настоящото Blaupunkt Competence Center 2N-Everpol Sp. z o.o. декларира, че това устройство отговаря на изискванията и други приложими разпоредби на Директива 2014/53 / на ЕС. Пълната декларация за съответствие може да бъде намерена на www.blaupunkt.com в раздела за продукти.

Отговорно лице: 2N-Everpol Sp. Z o.o.

Puławska 403A, 02-801 Warszawa, Polska

Телефон: +48 22 688 08 00, e-mail: info@everpol.pl



Продуктът е произведен от висококачествени материали и компоненти, които могат да бъдат рециклирани и повторно използвани.



Ако на вашето устройство има символ със зачеркнат контейнер за боклук, това означава, че продуктът е обхванат от разпоредбите на Европейска директива 2012/19/ЕС. Въз основа на това, моля, следвайте местните разпоредби и се запознайте с изискванията за вашата

местна система за събиране на електрически и електронни отпадъци и, в случай на този продукт, спазвайте ги.
НЕ ИЗХВЪРЛЯЙТЕ ТОЗИ ПРОДУКТ С ВАШИТЕ ДОМАКИНСКИ ОТПАДЪЦИ!
ТОЗИ ПРОДУКТ СЪДЪРЖА ОПАСНИ ВЕЩЕСТВА, СМЕСИ И КОМПОНЕНТИ, КОИТО, АКО СА НЕРАЗРЕШЕНИ, МОГАТ ДА БЪДАТ ИЗТОЧНИК НА ПОТЕНЦИАЛНИ ЕФЕКТИ ВЪРХУ ПРИРОДНАТА ОКОЛНА СРЕДА И ЧОВЕШКОТО ЗДРАВЕ!

Правилното изхвърляне на използвания продукт ще предотврати отрицателните ефекти върху околната среда и човешкото здраве.



Устройството е оборудвано с с батерии, които са част от европейска директива 2006/66/EC. Не изхвърляйте батериите заедно с битови отпадъци. Запознайте се с изискванията на местната система за събиране на батерии, тъй като правилната употреба на стария продукт ще предотврати потенциални негативни последици за околната среда и човешкото здраве.

Информация за опазване на околната среда

Пакетът съдържа само необходимите елементи. Положени са всички усилия, за да се гарантира, че трите компонента на опаковката са лесни за разделяне: картонена кутия, полистиролова пяна (вътрешна защита) и полиетилен (торбички, защитен лист). Устройството е изработено от материали, които могат да бъдат рециклирани и повторно използвани, след като се демонтират от специализирана фирма. Спазвайте местните разпоредби за изхвърляне на опаковъчни материали, отпадъчни батерии и ненужно оборудване.

Записването и възпроизвеждането на материали може да изисква съгласие. Вижте Закона за авторските права и правата на изпълнителите/ артистите.

Забележка относно ERP2 (на устройства, свързани с енергопотребление)

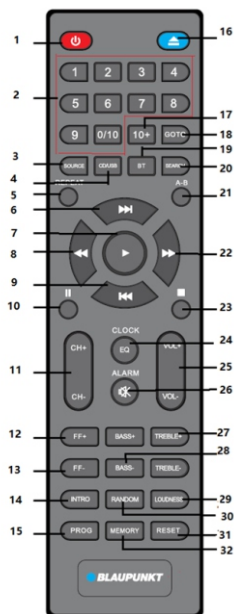
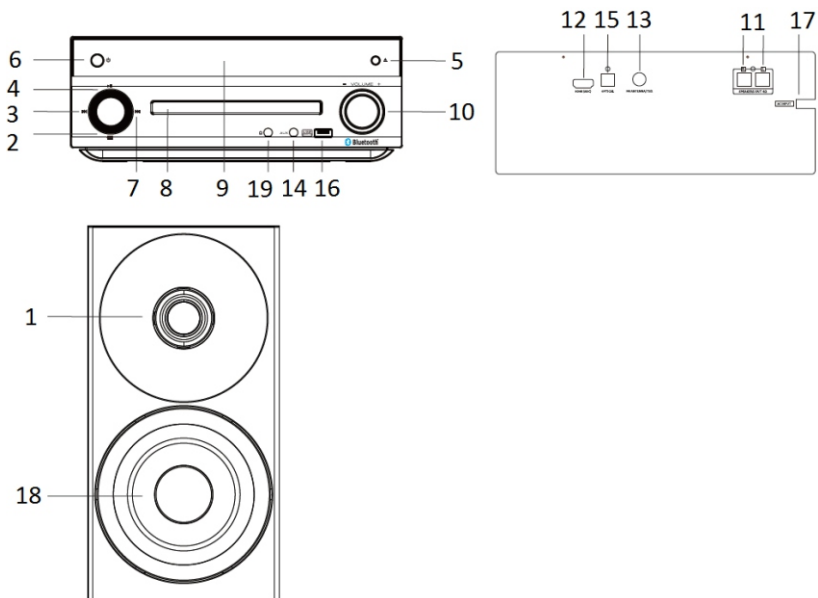
Настоящото устройство с екопроекта отговаря на изискванията на етап 2 от Регламента на Комисията (ЕО) № 1275/2008 за прилагане на Директива 2009/125 / ЕО относно консумацията на енергия от електроуреди за офиса и дома.



Собственик на търговските знаци и логото Bluetooth® е фирма Bluetooth SIG, Inc. USA. Използването на тези знаци и логото подлежи на лицензиране. Другите знаци и търговски названия принадлежат на съответните собственици.

Благодарим Ви, че закупихте нашия продукт. Моля, прочетете внимателно тази инструкция и се запознайте със съдържанието ѝ, преди да използвате устройството. Съхранявайте инструкцията за бъдещи справки.

Разположение на елементите за управление



1 - високоговорител за високи тонове; 2 - Избор на източник;
 3 - Бутон „предишно произведение“; 4 - Бутон „възпроизвеждане/пауза“;
 5 - Бутон за изваждане на поставката за CD; 6 - Бутон готовност;
 7 - Бутон „следващо произведение“; 8 - Поставка за CD; 9 - Дисплей;
 10 - Копче за сила на звука;
 11 - Гнездо за свързване на високоговорители (4 ohm); 12 - Вход HDMI(ARC);
 13 - Гнездо за антена FM 75 Ома; 14 - Гнездо AUX IN; 15 - Оптичен вход;
 16 - USB порт; 17 - Гнездо за захранване AC; 18 - високоговорител за средно-ниски тонове;
 19 - изход за слушалки;

Дистанционно управление

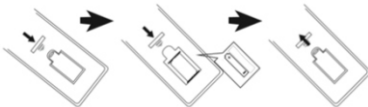
1—Включване/изключване на захранването; 2—Бутони с цифри;
 3—Източник; 4—Бутон CD/USB;
 5—Повтаряне (Повтаряне на всичко, повтаряне на една песен, повтаряне на папка, повтаряне изключено); 6—Следващо; 7—Възпроизвеждане;
 8—Бързо превъртане назад; 9—Предишно; 10—Пауза;
 11—Канал +/-; 12—Честота FM +; 13—Честота FM -;
 14—Бутон на функция интро; 15—Програмиране;
 16—Изтегляне на гнездото за CD диска; 17—10 +; 18—Бутон GOTO;
 19—Bluetooth; 20—Търсене на честота FM;
 21—Повтаряне на част от песен A-B; 22—Бързо превъртане напред;
 23—Stop; 24—Часовник/EQ(Music-Game-News-Movie)
 25—Сила на звука +/-; 26—Аларма/изключване на звука;
 27—Настройка на soprаните +/-; 28—Настройка на басите +/-;
 29—Сила на звука;
 30—Включване/изключване на произволно възпроизвеждане;
 31—Reset; 32—Памет;

Свързване на високоговорители и захранване

1. За да свържете високоговорителите към основното устройство, поставете щепсела, с който е завършен кабелът на високоговорителя, в гнездото за високоговорител, намиращо се на задния панел на корпуса на основното устройство. Свържете левия високоговорител към гнездото, обозначено с буква L, а десния високоговорител - към гнездото, обозначено с R.
2. Проверете дали източникът на захранване съответства на спецификациите за номинално напрежение, които се намират съответно на задния панел на основното устройство. Ако не е подходящ, моля, свържете се с продавача или със сервизен център.
3. Включете захранващия кабел на основното устройство в стенен контакт. След като захранването бъде подадено, дисплеят ще светне и ще покаже формата на времето.
4. Когато системата не се използва за продължителен период от време - изключете захранващите кабели, за да разедините напълно захранването.

Инсталиране на батерията на дистанционното управление

Отворете капака на отделението за батерията и поставете 2 батерия от тип AAA (включена в комплекта); уверете се, че полярността на батерията съответства на положителните и отрицателните символи, гравирани в камерата. След това затворете капака на отделението за батерията.



Забележки:

- a. Работното разстояние на дистанционното управление е 7 метра без никакви препятствия между дистанционното управление и основното устройство. Когато използвате дистанционното управление, насочете го към датчика, намиращ се в левия ъгъл на дисплея.
- б. Чувствителността на дистанционното управление намалява с изтощаването на батерията. Сменете я с нова, така че дистанционното управление да работи правилно.
- в. Моля, извадете батерията, ако няма да използвате дистанционното управление дълго време.
- г. Батерията трябва да се обезвреди по екологосъобразен начин. Моля, обърнете внимание на изискванията на местните власти относно обезвреждането.

Общи принципи на обслужване

- 1. Включване / изключване на захранването и режим готовност:** Дисплеят ще светне, когато устройството е успешно свързано към източник на захранване за променлив ток; моля, извадете щепсела за захранване, за да изключите напълно захранването. Натиснете бутона на захранването върху предния панел или върху дистанционното управление, за да включите или изключите режим готовност.
- 2. Активирани на тих режим:** натиснете бутона MUTE на дистанционното управление, за да изключите звука; натиснете отново, за да възобновите възпроизвеждането. Можете също така да възобновите възпроизвеждането, като натиснете бутон +/-.
- 3. Избор на режим на възпроизвеждане:** натиснете няколкократно бутон SOURCE, за да превключите режима на възпроизвеждане между CD / USB / FM / AUX IN / Bluetooth. Натиснете бутон CD / USB на дистанционното управление, за да превключите режима на възпроизвеждане на CD и USB. Натиснете бутона за избор на източник на предния панел, за да получите същите функции.
- 4. Настройка на силата на звука:** натиснете бутон VOL +/- на дистанционното управление или завъртете копчето за сила на звука на предния панел, за да увеличите или намалите силата на звука.
- 5. Еквалайзер на звука:** натиснете бутона EQ, за да превключите режима на еквалайзера между Music-Game-News-Movie.
- 6. Настройка на високи и ниски тонове:** натиснете за кратко бутона за настройка на сопраните +/- или на басите +/- на дистанционното управление, за да регулирате високите и ниските честоти на изходния аудио сигнал.
- 7. Цифрови бутони 0 ~ 9 и бутон 10+:** Въведете съответните цифри и натиснете - изчакайте малко, и след това устройството ще възпроизведе произведението с избрания номер. Натискането на бутона 10 + Ви позволява да пропускате по-ранните 10 произведения в случай на носител, в който са записани повече от 10 песни. Тази функция е достъпна в режим на възпроизвеждане от CD и USB.
- 8. Възпроизвеждане, пауза и спиране:** В режим CD / USB / Bluetooth натиснете бутона за възпроизвеждане и пауза, за да спрете или да възобновите възпроизвеждането. В режим CD и USB натиснете бутона за спиране, за да спрете възпроизвеждането, натиснете бутона за възпроизвеждане, за да възобновите възпроизвеждането на музика.
- 9. Предишно и следващо произведение, бързо превъртане напред и назад:** Кратко натискане на бутона предишно/следващо води до преминаване към последно възпроизвежданата или следващата песен; натиснете и задръжте бутона за бързо превъртане напред / назад от дистанционното управление, за да превъртите бързо напред или назад текущата песен и се върнете към нормалното възпроизвеждане след освобождаването на бутона.
- 10. Повтаряне на възпроизвеждане:** В режим CD и USB многократно натискайте бутона за повторение, за да повторите

една песен, повтаряйте папката, да повторите цялото съдържание на носителя или да изключите повтарянето.

11. Произволно възпроизвеждане: натиснете бутона за произволно възпроизвеждане, за да включите или изключите произволното възпроизвеждане.

12. Поставяне на CD: Натиснете бутона за отваряне на CD устройството, за да го отворите, след което поставете CD диска. Натиснете повторно бутона, за да затворите CD устройството.

13. Сила на звука: натиснете кратко бутона, за да увеличите силата на звука.

14. Слушалки: Свържете слушалките към жака за слушалки, разположен на предния панел, след като свържете слушалките, звукът от високоговорителите ще бъде заглушен и ще бъде достъпен само от слушалките. Регулирайте силата на звука.

15. Повторете избраната част от песента: в режим CD / USB натиснете кратко бутон A-B на дистанционното управление, за да изберете началната точка на избраната част от песента, натиснете отново, за да изберете крайната точка; тогава устройството ще повтори определената част от песента, докато не натиснете отново бутон A-B, за да отмените и възобновите нормалното възпроизвеждане.

16. Рестартиране на системата: в режим CD, изтеглете поставката за CD (без затваряне), натиснете и задръжте бутона за нулиране за 3 секунди, за да се покаже съобщение „reset“ на дисплея и системата ще се ресетне.

Възпроизвеждане на CD диск

Този модел е оборудван с функция за възпроизвеждане на CD / CD-R-RW дискове и музикални файлове, записани във формати MP3 / WMA (DVD дискове не се възпроизвеждат). Преди да възпроизведете CD диска, уверете се, че няма мръсни петна или драскотини върху CD диска; в противен случай устройството може да не чете CD диска или възпроизвеждането му ще бъде придружено от нежелани звуци.

1. Натиснете няколкократно бутона за избор на източник или бутона CD / USB на дистанционното управление, за да активирате възпроизвеждането на CD диска.

2. Натиснете бутона за отваряне, за да отворите капака на CD устройството и поставете CD; затворете капака. Устройството автоматично ще започне четене и възпроизвеждане на CD диска.

3. Създайте Ваш собствен списък на произведения (можете да програмирате до 20 песни за CD дискове и до 99 песни за WMA / MP3).

а. В режим на възпроизвеждане на CD първо натиснете бутон стоп и след това натиснете бутона за програмиране, за да започнете да създавате списъка.

б. Върху дисплея ще се появи надпис „XXX PXX“, натиснете бутон предишно / следващо или бутон 10+, за да изберете песента, която искате да програмирате, след това натиснете бутона за програмиране, за да потвърдите.

в. След това дисплеят ще покаже програмираното произведение и ще премине към следващата песен. Например, "006 P01" означава, че песен № 6 е програмирана като произведение № 01.

г. Повтаряйте горните стъпки (б) и (в), за да изберете други произведения, докато върху дисплея се появи надпис „FULL“.

д. След това натиснете бутона за възпроизвеждане, за да започнете възпроизвеждането на програмирания списък.

д. За да анулирате и изтриете програмирания списък за възпроизвеждане, трябва да натиснете двукратно бутон стоп или да извадите CD диска.

4. По време на възпроизвеждане на CD са достъпни следните функции: повтаряне и пауза, стоп, тих режим, произволно повтаряне, избор на песен, функция EQ, превъртане напред и назад, бърз избор посредством цифрови бутони и др. Моля запознайте се с раздела в тази инструкция, съдържащ общи информации за обслужване.

Обслужване на FM радио

Преди да започнете да слушате FM радио, моля, свържете приложената FM антена към гнездото FM на задния панел или преместете устройството близо до прозорца за по-добро приемане на FM сигнала.

1. Автоматично сканиране и програмиране на радиостанции: Натиснете няколкократно бутона за избор на източник, за да преминете в режим FM радио; натиснете краткотрайно бутона за FM сканиране или бутона за възпроизвеждане / пауза (2 секунди) на предния панел, за да сканирате автоматично и да запомните достъпните радиостанции. В устройството можете да запишете до (макс.) 40 станции. Натиснете краткотрайно бутона предишно/следващо върху или върху предния панел на устройството, или натиснете бутон канал +/- или цифровия бутон на дистанционното управление за да изберете програмираната радиостанция.

2. Ръчно настройване или автоматично сканиране: натиснете краткотрайно бутона за настройка FF +/-, за да увеличите или да намалите честотата с 0,1 MHz; натиснете и задръжте за 2 секунди бутон FF +/- или следващо / предишно върху предния панел, за да сканирате автоматично достъпната радиостанция FM нагоре или надолу в честотната лента, сканирането ще спре автоматично и ще възпроизведе достъпната станция.

3. Ръчно програмиране на станцията: след като настроите любимата си станция чрез ръчно настройване или автоматично сканиране, първо натиснете бутона за запомняване върху дистанционното управление, тогава цифрите на номера на станцията ще започнат да мигат върху дисплея, натиснете бутон канал +/-, за да промените номера, под който искате да запишете избраната станция. След това натиснете бутона за запомняване, за да потвърдите избора и настоящата FM станция ще бъде запомнена. Повторете операцията, за да запишете друга станция.

4. Преминете към избраната честота: първо натиснете бутон GOTO на дистанционното управление, след това въведете избраната честота на FM станцията като например 1-0-4-3 с помощта на бутоните с цифри и след това преминете към възпроизвеждането.

Обслужване на USB

Продуктът е оборудван с функция за възпроизвеждане от USB, която може да декодира и да възпроизвежда музика от преносими USB памет. Преди да започнете операцията, копирайте музиката във формат MP3 / WMA върху USB памет. Максималният капацитет на обслужваната USB памет може да бъде до 32 GB.

1. Преди да започнете възпроизвеждане от USB, трябва да се уверите, че USB паметта е правилно свързана към USB порта. След това преминете в режим възпроизвеждане от USB като натиснете бутона за избор на източник или CD / USB на дистанционното управление. След това устройството ще декодира и след няколко секунди автоматично ще започне да възпроизвежда музика.

2. В режим USB са достъпни следните функции: възпроизвеждане и пауза, стоп, тих режим, повтаряне, еквалайзер, превъртане напред и назад и др. Моля запознайте се с раздела в тази инструкция, съдържащ общи информации за обслужване.

Забележки:

- а. Не се препоръчва свързването на USB памет с USB удължителен кабел, тъй като това може да бъде причина за шум или прекъсване на звука поради загуба на аудио данни по време на трансмисия.
- б. Не се гарантира декодирането и възпроизвеждането на всички MP3 / WMA файлове.
- в. Максималният капацитет на USB паметите е 32 GB.
- г. Декодирането и възпроизвеждането на някои USB паметни може да отнеме малко повече време. Моля, имайте предвид, че това не е неизправност.

Обслужване в режим Bluetooth

Този продукт е оборудван с функция Bluetooth, която позволява безжично възпроизвеждане на музика от друго Bluetooth устройство.

1. Натиснете няколкократно бутона за избор на източник, за да преминете в режим Bluetooth, върху дисплея ще се покаже „BLUE-T“. Включете функция Bluetooth във външното устройство и намерете достъпните устройства Bluetooth (запознайте се с инструкцията за обслужване на външното устройство), след което проверете списъка с готовите за двояване устройства Bluetooth.
2. Изберете „BP MS30.2BT“ за двояване. След успешно свързване с Bluetooth устройство съобщението BLUE-T на дисплея ще спре да мига.
3. Във външното Bluetooth устройство изберете и възпроизведете музика и звукът ще бъде възпроизведен от високоговорителите на това устройство.
4. Натиснете бутон предишно / следващо произведение, за да изберете последното възпроизвеждано или следващото произведение.
5. В режим Bluetooth са достъпни следните функции: възпроизвеждане / пауза, тих режим, еквалайзер и др. Моля запознайте се с раздела в тази инструкция, съдържащ общи информации за обслужване.
6. Продължителното натискане (3 секунди) на бутона за възпроизвеждане/пауза на предния панел може да прекрати двояването с текущото Bluetooth устройство. Забележка:
 - а. Правилното двояване на всички Bluetooth устройства не може да се гарантира поради различни дизайни и производители.
 - б. Работният диапазон на Bluetooth е 10 метра без препятствия между устройствата.
 - в. Устройството може да бъде двояно и да работи само с едно Bluetooth устройство.
 - г. Разединете текущата Bluetooth връзка преди двояване с друго устройство, в противен случай „BP MS30.2BT“ няма да се появи в списъка на устройствата, готови за двояване.

Обслужване на цифрови входове

Този модел има цифрови оптични входове и порт HDMI (ARC), които му позволяват да бъде свързан към телевизор или други съвместими външни устройства за възпроизвеждане на звук.

Оптичен вход: Използвайте оптичен кабел (не е включен в комплекта), за да свържете изходния порт на телевизора или друго устройство към оптичния вход, вграден в този модел. Натиснете няколкократно бутона за избор на източник, за да преминете в режим на оптичен вход. Проверете и регулирайте силата на звука както в това устройство, така и в телевизора или друго външно устройство, изберете и възпроизведете желаното съдържание и след това звукът ще бъде възпроизведен, като използвате този модел.

Вход HDMI (ARC): Този модел има също така вход HDMI с ARC (Audio Feedback); Ако Вашият телевизор съответства на HDMI ARC (моля, проверете спецификациите на телевизора си за подробности), можете да възпроизведете звук от телевизора си, като използвате високоговорителите на този модел. Използвайте HDMI кабел (не е включен в комплекта), за да свържете устройството към телевизора си, натиснете няколко пъти бутона за избор на източник на този модел, за да влезете в режим HDMI, или източникът автоматично ще премине в режим HDMI, когато телевизорът е свързан и включен успешно. Регулирайте нивото на силата на звука, изберете и възпроизведете съдържанието в телевизора и след това звукът на избраната програма ще бъде възпроизведен с помощта на високоговорителите на това устройство.

Внимание!

- а. В режим възпроизвеждане на сигнал от цифров вход (оптичен и HDMI ARC), настройте аудио изхода на телевизора или външно устройство на "PCM stereo" или "stereo 2.0" (подробности в инструкцията на телевизора или външното устройство), в противен случай това устройство няма да възпроизвежда звук.
- б. Уверете се, че телевизорът обслужва HDMI ARC. Телевизорът може да има няколко порта HDMI, така че моля, проверете и свържете правилно изходния HDMI ARC, обикновено до порта има информация за това кой порт обслужва HDMI ARC (моля, проверете инструкцията на телевизора или неговата спецификация).
- в. Когато избирате и закупите HDMI кабел, се уверете, че той обслужва стандарт HDMI V1.3 и по-нов и е 19-жичен кабел.
- г. Ако няма звук или входният сигнал е прекъсван, проверете внимателно горните указания и се уверете, че връзката между плейъра и другото устройство е правилна.

Обслужване в режим LINE IN (AUX IN)

За да свържете и възпроизведете музика от друг плейър или източник, изпълнете следното:

1. С помощта на приложния аудио кабел (3,5mm до 3,5mm stereo) свържете гнездо AUX IN (тип 3,5mm stereo) на преден панел на основното устройство, а втория конектор stereo 3,5 mm свържете към изход от тип LINE OUT или към порта за слушалки на външния плейър. Изберете режим AUX IN чрез натискане на бутона за избор на източник.
2. Пуснете музика във външния плейър и звукът ще се възпроизвежда от високоговорителите на това устройство.
3. В режим AUX IN, главното управление се извършва във външния плейър. В настоящето устройство можете да регулирате силата на звука, еквалайзера и да изключите звука.

Настройка на часовника и алармата (събуждане с възпроизвеждане и автоматично възпроизвеждане)

Устройството е оборудвано с часовник и аларма, която позволява използване на плейъра като часовник. Устройството автоматично ще започне да възпроизвежда музика в предварително зададеното време.

1. **Настройка на часовника:** в режим заспиване натиснете и задръжте за няколко секунди бутон "CLOCK" върху дистанционното управление, за да започнете настройка на часовника, показанието на часа ще започне да мига върху дисплея; натиснете бутон канал + / - произведение, за да изберете формата на времето 12/24 часа, натиснете бутон "CLOCK" върху дистанционното управление, за да потвърдите избора; след това цифрите на часа ще започнат да мигат върху дисплея, натиснете бутон канал + / - произведение, за да зададете правилния час и отново натиснете бутон

“CLOCK”, за да потвърдите избора; след това цифрите на минутите ще започнат да мигат върху дисплея, натиснете бутон бутон канал + / - произведение, за да зададете правилните минути и отново натиснете бутон “CLOCK” върху дистанционното управление, за да потвърдите избора и да завършите настройката на времето.

2. Настройка на алармата: в режим часовник натиснете и задръжте за няколко секунди бутон “ALARM” върху дистанционното управление, след което на дисплея ще се появи времето на алармата; натиснете бутона за смяна на канала + / -, за да зададете желаня час на алармата, след което натиснете бутона за часовника, за да потвърдите избора; сега преминете към задаване на останалите параметри: минути/източник на алармата (FM/CD/USB)/сила на звука на събуждане - това е операция, подобна на задаването на времето на алармата. Натиснете отново бутона за алармата, за да потвърдите и завършите избора.

Забележка:

- a. Настройката на часовника и алармата е достъпна само, когато устройството е свързано към захранване. След всяко изключване на напрежението трябва отново да настроите часовника и алармата.
- б. След правилната настройка на алармата върху дисплея ще се появи иконата на алармата. С кратко натискане на бутон “ALARM” в режим готовност ще изключите алармата. Повторно кратко натискане на бутон “ALARM” ще включи алармата.
- в. Когато алармата бъде включена, устройството автоматично ще включи възпроизвеждане (CD/FM радио/USB), Натиснете бутона на захранването, за да изключите алармата.

Решаване на проблеми

1. Устройството не може да се включи.

- a. Уверете се, че захранващият кабел е правилно свързан към контакта.
- б. В случай на проблеми, моля, свържете се със сервизен център.

2. Липса на звук.

- a. Опитайте да регулирате силата на звука.
- б. Уверете се, че сте избрали правилния режим на възпроизвеждане.
- в. В случай на проблеми, моля, свържете се със сервизен център.

3. CD дискът не може да бъде възпроизведен.

- a. Опитайте да възпроизведете друг CD диск с музика във формат CD / CD-R-RW / MP3 / WMA.б. Опитайте да почистите CD диска.
- в. В случай на проблеми, моля, свържете се със сервизен център.

4. Шум в режим FM.

- a. Изгледете изцяло FM антената, опитайте се да регулирате посоката на антената.
- б. Преместете устройството близо до прозореца.
- в. Изберете друга честота.

5. Прекъснат звук по време на възпроизвеждане Bluetooth.

- a. Опитайте да преместите Bluetooth устройството по-близо до това устройство.
- б. Опитайте се да изключите Bluetooth функцията във външното устройство и да я включите отново.

6. Дистанционното управление не действа правилно.

- a. Насочете дистанционното управление към датчика, разположен от лявата страна на дисплея.
- б. Сменете батерията с нова поради ниското ниво на зареждане.

Спецификация

Източник на захранване: AC 110-240 V, 50/60 Hz

Съвместим с CD: CD / CD-R-RW / MP3 / WMA

Честота FM: 87,5-108,0 MHz

Параметри USB: 5 V, 500 mA, версия 2.0, обслужвани устройства до 32 GB

Bluetooth: 5.0, работно разстояние до 10 метра

Вход HDMI (ARC) V2.0, 1 x оптичен вход.

Изходна мощност RMS: 2 x 25 W

Разход на електрическа енергия: 60W общо

Консумация на мощност в режим готовност: <0,5W

(Внимание: настоящата спецификация може да бъде променена без предизвестие.)

ΣΗΜΑΝΤΙΚΕΣ ΠΛΗΡΟΦΟΡΙΕΣ ΣΧΕΤΙΚΑ ΜΕ ΤΗΝ ΑΣΦΑΛΕΙΑ

ΠΡΟΕΙΔΟΠΟΙΗΣΗ

**ΚΙΝΔΥΝΟΣ ΗΛΕΚΤΡΟΠΛΗΞΙΑΣ
ΜΗΝ ΑΝΟΙΓΕΤΕ**
Προειδοποίηση:

Για να μειώσετε τον κίνδυνο ηλεκτροπληξίας, δεν επιτρέπεται να αποσυναρμολογήσετε το κάλυμμα ούτε το οπίσθιο μέρος της συσκευής. Μέσα στη συσκευή δεν υπάρχουν εξαρτήματα προορισμένα για επισκευή από τον χρήστη. Η συντήρηση και η επισκευή του εξοπλισμού εκτελείται αποκλειστικά από τους εξουσιοδοτημένους υπάλληλους σέρβις.

Εξήγηση γραφικών συμβόλων


Το σύμβολο αστραπής με το βέλος στην άκρη της μέσα στο ισόπλευρο τρίγωνο προειδοποιεί τον χρήστη από μη μονωμένη, "επικίνδυνη ηλεκτρική τάση" στο περίβλημα της συσκευής που μπορεί να έχει την τιμή η οποία προκαλεί ηλεκτροπληξία.



Το σύμβολο θαυμαστικού στο ισόπλευρο τρίγωνο προειδοποιεί τον χρήστη ότι σε αυτό τον τόπο των τεκμηρίωσης που συνάπτεται στη συσκευή, παρουσιάζονται σημαντικές πληροφορίες σχετικά με τον χειρισμό και τη συντήρηση της συσκευής.

Παρακαλούμε να διαβάσετε αυτές τις οδηγίες χρήσης πριν αρχίσετε να χειρίζεστε τη συσκευή, για να γνωρίσετε τις λειτουργίες της και για τη χρησιμοποίησή της σύμφωνα με τον προορισμό της. Έτσι διασφαλίζετε τον διαρκή χειρισμό της συσκευής χωρίς βλάβες και απόλαυση από τη χρήση της συσκευής.

Σημαντικές πληροφορίες

- Πρέπει να κρατήσετε τις οδηγίες χρήσης και τις πληροφορίες σχετικά με την ασφάλεια με σκοπό τη μελλοντική χρήση τους.
- Μην επιτρέψετε κανένα υγρό να στάξει ή να χυθεί στη συσκευή.
- Δεν επιτρέπεται να χρησιμοποιήσετε τη συσκευή σε μέρη με υγρασία όπως π.χ. μπάνιο.
- Δεν επιτρέπεται να εγκαταστήσετε αυτή τη συσκευή στα ακόλουθα μέρη:
 - Μέρη εκτεθειμένα στην άμεση ακτινοβολία ή κοντά σε θερμάστρες.
 - Μην τοποθετείτε πάνω στη συσκευή άλλο εξοπλισμό στερεό που εκπέμπει θερμότητα.
- Όπου μπλοκάρεται ο εξαερισμός ή σε μέρος με σκόνη.
- Σε μέρη εκτεθειμένα σε συνεχείς δονήσεις.
- Σε μέρη με μεγάλη υγρασία.
- Δεν επιτρέπεται να τοποθετήσετε τη συσκευή δίπλα σε κερία και ανοιχτή φλόγα.
- Μπορείτε να χρησιμοποιήσετε τη συσκευή με τον τρόπο που περιγράφεται στις παρούσες οδηγίες χρήσης.
- Πριν από την πρώτη ενεργοποίηση, πρέπει να βεβαιωθείτε ότι το τροφοδοτικό είναι κατάλληλα συνδεδεμένο.
- Η μνήμη USB συνδεδεμένη άμεσα ή με επέκταση USB μήκους έως 25 cm.

Για λόγους ασφαλείας δεν επιτρέπεται να αποσυναρμολογήσετε το περίβλημα ούτε να έχετε πρόσβαση στο μέσο της συσκευής. Η συσκευή πρέπει να επισκευαστεί από το εξειδικευμένο προσωπικό του σέρβις.

Δεν επιτρέπεται να ξεβιδώσετε τη συσκευή ούτε να ανοίξετε το περίβλημά της, γιατί μέσα δεν υπάρχουν εξαρτήματα που μπορεί να επισκευαστούν από τον χρήστη. Η συντήρηση και η επισκευή του εξοπλισμού εκτελείται αποκλειστικά από τους εξουσιοδοτημένους υπάλληλους σέρβις.

ΣΗΜΑΝΤΙΚΕΣ ΠΛΗΡΟΦΟΡΙΕΣ ΣΧΕΤΙΚΑ ΜΕ ΤΗΝ ΑΣΦΑΛΕΙΑ

1. Διαβάστε τις οδηγίες χρήσης – πριν χρησιμοποιήσετε τη συσκευή πρέπει να διαβάσετε όλες τις οδηγίες χρήσης και τις πληροφορίες για την ασφάλεια.
2. Φυλάξτε τις οδηγίες χρήσης – πρέπει να φυλάξετε τις οδηγίες χρήσης και χειρισμού με σκοπό να τις χρησιμοποιήσετε στο μέλλον.
3. κολουθήστε τις προειδοποιήσεις – πρέπει να ακολουθήσετε όλες τις προειδοποιήσεις που είναι τοποθετημένες πάνω στη συσκευή και να ακολουθήσετε τις οδηγίες χρήσης.
4. Ακολουθήστε τις οδηγίες χρήσης – πρέπει να ακολουθήσετε τις οδηγίες χρήσης και τις συμβουλές για τον χρήστη.
5. Εγκατάσταση – πρέπει να τοποθετήσετε τη συσκευή σύμφωνα με τις οδηγίες του κατασκευαστή.
6. Πηγή τροφοδοσίας – η συσκευή πρέπει να τροφοδοτηθεί αποκλειστικά από τις πηγές με τις παραμέτρους που αναφέρονται στις επισημανσεις του καλωδίου τροφοδοσίας. Αν ο χρήστης δεν είναι σίγουρος ποιαου τύπου τροφοδοσία έχει στο σπίτι του, πρέπει να επικοινωνήσει με τον πωλητή της συσκευής ή τον τοπικό προμηθευτή ηλεκτρικής ενέργειας.
7. Γείωση και πόλωση της συσκευής – η συσκευή πρέπει να έχει γείωση. Πρέπει να βεβαιωθείτε ότι το φως είναι τελικά τοποθετημένο στην πρίζα ηλεκτρικού δικτύου ή της επέκτασης, για να μην αφήσετε τους πείρους ή τους επαφές το φως χωρίς κάλυμμα. Κάποιες εκδόγές της συσκευής μπορεί να είναι εξοπλισμένες με πολωμένο φως εναλασσόμενο ρεύματος (με έναν πείρο πλατύτερο). Μπορείτε να βάλετε αυτό το φως στην πρίζα μόνο με έναν τρόπο. Αυτό είναι η λειτουργία προστασίας. Αν δεν μπορείτε να βάλετε το φως στην πρίζα, πρέπει να το περιστρέψετε. Αν το φως εξακολουθεί να μην ταιριάζει στην πρίζα, πρέπει να δώσετε εντολή στον ηλεκτρολόγο να αντικαταστήσει την πρίζα. Δεν επιτρέπεται να βγάλετε τα προστατευτικά του πολωμένου φως. Όταν χρησιμοποιείτε επέκταση ή καλώδιο τροφοδοσίας διαφορετικό από αυτό που παραδίδεται μαζί με τη συσκευή, αυτά πρέπει να έχουν κατάλληλα φως και το πιστοποιητικό ασφαλείας.
8. Προστασία του καλωδίου τροφοδοσίας – τα καλώδια τροφοδοσίας πρέπει να δρομολογούνται έτσι, ώστε να μην τα πατάτε, να μην τα πιέζετε και μην τα κόβετε με τοποθετημένα πάνω τους αντικείμενα. Δώστε ειδική σημασία στα φως, τις πρίζες ηλεκτρικού δικτύου και του τόπου όπου τα καλώδια είναι τοποθετημένα μέσα στη συσκευή.
9. Υπερφόρτωση – Δεν επιτρέπεται να υπερφορτώσετε τις ηλεκτρικές πρίζες τοίχου, τις επεκτάσεις και τους διαχωριστές, γιατί αυτό προκαλεί κίνδυνο πυρκαγιάς ή ηλεκτροπληξίας.
10. Εξαερισμός – η συσκευή πρέπει να έχει κατάλληλο εξαερισμό. Δεν επιτρέπεται να τοποθετήσετε τη συσκευή πάνω σε ένα κρεβάτι, έναν καναπέ ή σε παρόμοιες επιφάνειες. Δεν επιτρέπεται να καλύψετε τη συσκευή με τραπέζιματλητα, πετσέτες, εφημερίδες κλπ.

12. Νερό και υγρασία – για να μειώσετε τον κίνδυνο πυρκαγιάς ή ηλεκτροπληξίας, δεν επιτρέπεται να εκθέτετε τη συσκευή στην άμεση επίδραση βροχής, νερού και υγρασίας όπως π.χ. στη σάουνα ή το μπάνιο. Μην χρησιμοποιείτε την παρούσα συσκευή δίπλα σε νερό, π.χ. δίπλα σε μια μπανιέρα, νιπτήρα, νεροχύτη κουζίνας ή σκάφη, σε ένα υπόγειο με υγρασία ή δίπλα σε πισίνα (ή σε παρόμοιους τόπους).
13. Αντικείμενα και υγρά μέσα στη συσκευή – δεν επιτρέπεται να πιέσετε οποιοδήποτε αντικείμενο μέσα από τα ανοίγματα της συσκευής, γιατί αυτά μπορεί να έχουν επαφή με τα σημεία της επικίνδυνης ηλεκτρικής τάσης και τα υποστήματα και αυτό μπορεί να προκαλέσει πυρκαγιά. Σε καμία περίπτωση μη χύσετε οποιοδήποτε υγρό δίπλα στη συσκευή. Δεν επιτρέπεται να βάζετε πάνω στη συσκευή τα αντικείμενα που περιέχουν υγρά.
14. Καθαρισμός – πάντα πρέπει να αποσυνδέετε τη συσκευή από την πρίζα ηλεκτρικού δικτύου πριν από καθαρισμό. Η σκόνη γύρω από το ηχείο μπορεί να αφαιρεθεί με ένα ύφασμα. Αν χρησιμοποιήσετε ένα αερόλυμα για καθαρισμό, μην κατευθύνετε τη ροή ψεκασμού άμεσα στη συσκευή, αλλά σε ένα πανί. Πρέπει να προσέξετε να μη χαλάσετε τις μονάδες μετάδοσης κίνησης.
15. Πρόσθετος εξοπλισμός – μη χρησιμοποιήσετε αξεσουάρ που δεν επιτρέπονται από τον κατασκευαστή, γιατί αυτά μπορούν να προκαλέσουν κίνδυνο.
16. Αξεσουάρ – μην τοποθετείτε τη συσκευή σε ασταθές καροτσάκι, υποστήριγμα, τρίποδο, βάση ή τραπέζι. Η συσκευή μπορεί να ανατραπεί και να χαλάσει καθώς και να προκαλέσει σοβαρά τραύματα σε παιδιά και σε ηλικιωμένα πρόσωπα. Πρέπει να χρησιμοποιήσετε αποκλειστικά καροτσάκια, υποστήριγματα, τρίποδα, βάσεις ή τραπέζια που ορίζονται από τον κατασκευαστή ή που πωλούνται μαζί με τη συσκευή. Εκτελέστε τη συναρμολόγηση της συσκευής σύμφωνα με τις οδηγίες του κατασκευαστή ή χρήση του σετ συναρμολόγησης που προτείνεται από τον κατασκευαστή.
17. Μεταφορά της συσκευής – πρέπει να μεταφέρετε τη συσκευή τοποθετημένη σε καροτσάκι πολύ προσεκτικά. Ξαφνικό σταμάτημα, υπερβολική δύναμη ή ανώμαλες επιφάνειες μπορεί να προκαλέσουν ανατροπή του καροτσάκι μαζί με τη συσκευή.
18. Περίοδος όταν η συσκευή δεν χρησιμοποιείται – πρέπει να αποσυνδέσετε το καλώδιο τροφοδοσίας από την πρίζα ηλεκτρικού δικτύου κατά τις καταιγίδες με κεραυνούς ή όταν δεν χρησιμοποιείτε τη συσκευή πολλή ώρα.
19. Σέρβις – μην δοκιμάσετε να εκτελέσετε επιθεωρήσεις της συσκευής μόνοι σας. Το να ανοίξετε το κάλυμμα μπορεί να προκαλέσει επαφή με επικίνδυνη ηλεκτρική τάση και να εκτεθεί ο χρήστης σε άλλου κινδύνους. Η συντήρηση και η επισκευή του εξοπλισμού εκτελείται αποκλειστικά από τους εξουσιοδοτημένους υπάλληλους σέρβις.
20. Όταν δεν χρησιμοποιείτε τη συσκευή, πρέπει να αποσυνδέσετε το φως της από την πρίζα ηλεκτρικού δικτύου. Όταν η συσκευή είναι συνδεδεμένη στην πηγή ηλεκτρικής ενέργειας, είναι στον τρόπο λειτουργίας αναμονής και δεν είναι απολύτως απενεργοποιημένη.
21. Ανταλλακτικά – όταν αντικαθιστάτε εξαρτήματα πρέπει να ελέγχετε αν ο υπάλληλος του σέρβις έχει χρησιμοποιήσει τα ανταλλακτικά που προτείνονται από τον κατασκευαστή ή τα εξαρτήματα είναι ίδια όπως τα γνήσια εξαρτήματα. Η αντικατάσταση εξαρτημάτων με μην εγκεκριμένα προκαλεί κίνδυνο πυρκαγιάς και άλλους κινδύνους.
22. Κύριες ηλεκτρικές ασφάλειες – για να προστατέψετε με συνεχή τρόπο τη συσκευή από πιθανή πυρκαγιά, πρέπει να χρησιμοποιήσετε τις ασφάλειες κατάλληλου τύπου και παραμέτρων. Οι παράμετροι των ασφαλειών του ορισμένου φάσματος της ηλεκτρικής τάσης επισημαίνονται πάνω στη συσκευή.
23. Δεν επιτρέπεται να αυξήσετε την ένταση ήχου όταν ακούτε ένα κομμάτι το οποίο έχει χαμηλή ένταση ήχου ή όταν δεν υπάρχει σήμα ήχου εισόδου. Σε αντίθετη περίπτωση, ενδέχεται να χαλάσετε το ηχείο με την ξαφνική αύξηση της έντασης του σήματος.
24. Η μοναδική λύση να αποσυνδέσετε πλήρως τη συσκευή από την πηγή ηλεκτρικής ενέργειας είναι η αποσύνδεση του καλωδίου τροφοδοσίας από την πρίζα ηλεκτρικής ενέργειας ή από τη συσκευή. Η πρίζα ηλεκτρικού δικτύου ή η υποδοχή του καλωδίου τροφοδοσίας στη συσκευή πάντα πρέπει να είναι διαθίσιμες κατά τη χρήση της συσκευής.
25. Η συσκευή πρέπει να τοποθετηθεί δίπλα σε πρίζα ηλεκτρικού δικτύου ή επέκταση έτσι ώστε να είναι πάντα διαθέσιμες.
26. Η μέγιστη θερμοκρασία περιβάλλοντος πρέπει είναι 35°C.
27. Οδηγίες σχετικά με τις ηλεκτροστατικές εκκινήσεις – αν η λειτουργία της συσκευής διαταράσσεται με τις ηλεκτροστατικές εκκινήσεις, πρέπει να την απενεργοποιήσετε και να την ενεργοποιήσετε ξανά ή να μεταφέρετε τη συσκευή σε άλλο τόπο.
28. Μπαταρία
- Δεν επιτρέπεται να εκθέτετε τις μπαταρίες στη δράση υπερβολικής ζέστης όπως π.χ. ηλιακή ακτινοβολία.
 - Κατά τη διάθεση των μπαταριών, πρέπει να δώσετε σημασία στις παραμέτρους της προστασίας του περιβάλλοντος.
 - Προειδοποίηση σχετικά με χρήση των μπαταριών: για να μην επιρρέψετε απροσφράγιστη των μπαταριών που μπορεί να προκαλέσει τραύματα ή να χαλάσει τη συσκευή:
 - Όταν βάζετε τη μπαταρία δώστε σημασία στην πόλωση της (+ και -).
 - Δεν επιτρέπεται να χρησιμοποιήσετε ταυτόχρονα διαφορετικές μπαταρίες - καινούργιες και μεταχειρισμένες, τις μπαταρίες στάνταρ και αλκαλικές κλπ.
 - Πρέπει να βγάλετε τις μπαταρίες από τη συσκευή δεν τη χρησιμοποιείτε πολλή ώρα.

ΠΡΟΕΙΔΟΠΟΙΗΣΗ

Η συσκευή δεν επιτρέπεται να χρησιμοποιηθεί από πρόσωπα (συμπεριλαμβανόμενων των παιδιών) με μειωμένη φυσική και αισθητηριακή ικανότητα και τα πρόσωπα με ανεπαρκή γνώση και εμπειρία, αν δεν είναι υπό την εποπτεία του προσώπου που είναι υποχρεωμένο για την ασφάλειά τους και δεν έχουν εκπαιδευθεί πως να χρησιμοποιούν τη συσκευή με ασφαλή τρόπο. Η παρουσία των ενηλίκων απαιτείται όταν τα παιδιά χειρίζονται τη συσκευή· έτσι θα διασφαλιστεί την ασφαλή χρήση της συσκευής.

- Δεν επιτρέπεται να αφήνετε τη συσκευή όταν λειτουργεί χωρίς καμία εποπτεία! Πρέπει να απενεργοποιείτε τη συσκευή όταν δεν τη χρησιμοποιείτε, ακόμη για ένα σύντομο διάστημα.
- Δεν επιτρέπεται να μεταχειρίζεστε τη συσκευή μέσα από ένα εξωτερικό ρολόι με χρονικό σύστημα ούτε με ξεχωριστό σύστημα τηλεχειρισμού.
- Για να αποφύγετε κίνδυνο σε περίπτωση βλάβης του καλωδίου τροφοδοσίας, η αντικατάστασή του πρέπει να εκτελείτε από τον κατασκευαστή, την εξουσιοδοτημένη υπηρεσία σέρβις ή άλλο πρόσωπο που διαθέτει τα κατάλληλα προσόντα.
- Πριν αρχίσετε να χειρίζεστε τη συσκευή, πρέπει να ελέγξετε αν η τάση της είναι συμβατή με την τάση του τοπικού ηλεκτρικού δικτύου.
- Δεν επιτρέπεται να καλύψετε τα ανοίγματα εξαερισμού π.χ. με εφημερίδες, τραπέζομάντηλα, κουρτίνες κλπ.. Πρέπει να βεβαιωθείτε ότι πάνω από τη συσκευή υπάρχει ένας ελεύθερο χώρος τουλάχιστον 20 cm και από κάθε πλευρά της - τουλάχιστον 5 cm.
- Δεν επιτρέπεται να στάζει ή να χυθεί κανένα υγρό στη συσκευή και δεν επιτρέπεται να βάζετε πάνω στη συσκευή κανένα αντικείμενο γεμάτο με υγρό όπως π.χ. ένα βάζο.
- Για να αποφύγετε πυρκαγιά ή ηλεκτροπληξία, πρέπει να προστατεύετε τη συσκευή από ζεστούς τόπους, τη δράση της βροχής, της υγρασίας και της σκόνης.
- Δεν επιτρέπεται να τοποθετείτε τη συσκευή κοντά σε οποιαδήποτε πηγή νερού όπως π.χ. βρύσες, μπανιέρες, πλυντήρια ή πισίνες κολύμβησης. Η συσκευή πρέπει να τοποθετηθεί σε μια ίσια και σταθερή βάση.

9. Δεν επιτρέπεται να εκθέτετε τη συσκευή σε ισχυρό μαγνητικό πεδίο.
10. Δεν επιτρέπεται να βάζετε τη συσκευή αμέσως στον ενισχυτή, δέκτη ή διακόπτη.
11. Δεν επιτρέπεται να βάζετε τη συσκευή σε ένα μέρος με υγρασία, γιατί η υγρασία έχει αρνητική επίδραση στα ηλεκτρικά συστήματα.
12. Μετά από μεταφορά της συσκευής από κρύο σε ζεστό τόπο ή σε τόπο με υγρασία, μπορεί να προκληθεί υγραποίηση της υγρασίας πάνω στον φακό μέσα στη συσκευή αναπαραγωγής. Σε μια τέτοια περίπτωση η συσκευή δεν θα λειτουργήσει σωστά. Πρέπει να αφήσετε τη συσκευή απενεργοποιημένη για περίπου μια ώρα, για να επιτρέψετε την εξάτμιση της υγρασίας.
13. Δεν επιτρέπεται να καθαρίζετε τη συσκευή με χημικούς διαλύτες, γιατί μπορεί να χαλάσουν το βερνίκι του περιβλήματος. Σκουπίζετε τη συσκευή με ένα καθαρό, στεγνό ή λίγο μουσκεμένο πανί.
14. Όταν βγάξετε το φικ από την πρίζα τοίχου, πάντα πρέπει να τραβάτε το φικ και όχι το καλώδιο.
15. Όταν η ενεργοποιημένη συσκευή χρησιμοποιείται δίπλα σε ενεργοποιημένη τηλεόραση, μπορεί να είναι πηγή διαταραχών όρασης με τη μορφή γραμμών στην οθόνη. Αυτό εξαρτάται από τη ζώνη κυμάτων μετάδοσης της TV. Αυτό δεν σημαίνει ότι η συσκευή ή η τηλεόραση δεν λειτουργούν κατάλληλα. Αν αυτές γραμμές είναι ορατές, πρέπει να απομακρύνετε τη συσκευή από την τηλεόραση.
16. Το φικ ηλεκτρικού δικτύου χρησιμοποιείται για αποσύνδεση της ηλεκτρική τάσης τροφοδοσίας και πάντα πρέπει να είναι διαθέσιμο.
17. Για να διατηρήσετε την κεφαλή λέιζερ καθαρή για την ανάγνωση των δίσκων CD, μην την αγγίζετε και πάντα κλείνετε τη θήκη δίσκων.
18. Κατά την αναπαραγωγή, ο δίσκος περιστρέφεται με μεγάλη ταχύτητα. ΔΕΝ ΕΠΙΤΡΕΠΕΤΑΙ να ανυψώνετε ούτε να μεταφέρετε τη συσκευή όταν αναπαράγει, γιατί έτσι μπορείτε να χαλάσετε τον δίσκο ή τη συσκευή.
19. Πριν μεταφέρετε τη συσκευή σε άλλο τόπο ή κατά τη διάρκεια μιας μετακόμισης, πρέπει να βγάλετε τον δίσκο και να κλείσετε τη θήκη δίσκου. Στη συνέχεια πρέπει να απενεργοποιήσετε την τροφοδοσία και να αποσυνδέσετε το καλώδιο τροφοδοσίας. Μεταφορά της συσκευής με τον δίσκο μέσα στη θήκη μπορεί να αποτελέσει αιτία βλάβης τους.
20. Μετά την αναπαραγωγή του δίσκου, πρέπει να τον τοποθετήσετε στη συσκευασία του. Δεν επιτρέπεται να εκθέτετε δίσκους στην επίδραση άμεση ηλιακής ακτινοβολίας και πηγής θερμότητας. Δεν επιτρέπεται να αφήνετε δίσκους μέσα σε ένα αυτοκίνητο που σταθμεύει σε πλήρη ήλιο.
21. Μην αγγίζετε την πλευρά του δίσκου όπου δεν υπάρχει ετικέτα. Κρατάτε τον πιάνοντας τις άκρες του για να μην αφήσετε δακτυλικά αποτυπώματα. Η σκόνη, τα δακτυλικά αποτυπώματα ή οι ρωγμές των δίσκων μπορούν να είναι αιτία ακατάλληλης λειτουργίας της συσκευής αναπαραγωγής. Δεν επιτρέπεται να επικολλάτε χαρτάκια ή αυτοκόλλητη ταινία πάνω στον δίσκο.
22. Για να καθαρίσετε τον δίσκο, χρησιμοποιήστε ένα πανί που δεν αφήνει κλωστές. Αρχίστε τον καθαρισμό με ευθύγραμμες κινήσεις από το κέντρο του δίσκου προς τις άκρες του, χρησιμοποιώντας για αυτό τον σκοπό γενικά διαθέσιμα καθαριστικά μέσα ή αντιστατικά μέσα για δίσκους βινυλλίου.
23. Για να μην επιτρέψετε πιθανή απώλεια ακοής, δεν επιτρέπεται να ακούτε μουσική πολύ δυνατά για πολλή ώρα.



ΠΡΟΕΙΔΟΠΟΙΗΣΗ: ΠΗΓΗ ΑΚΤΙΝΟΒΟΛΙΑΣ

CLASS 1 LASER PRODUCT
LUOKAN 1 LASERLAITE
KLASS 1 LASERAPPARAT

COMPACT
disc
DIGITAL AUDIO



Αυτή η ετικέτα σημαίνει ότι μέσα στη συσκευή υπάρχουν συστήματα λέιζερ. Το να ανοίξετε τη θήκη των δίσκων CD και η παράλειψη μπλοκαρισμάτων προστασίας, εκθέτει τον χρήστη στην επίδραση της ακτινοβολίας λέιζερ. Δεν επιτρέπεται να βλέπετε τη δέσμη λέιζερ κατά τη λειτουργία της συσκευής.

ΠΡΙΝ ΑΠΟ ΤΗ ΛΕΙΤΟΥΡΓΙΑ

Παρατηρήσεις: για τους συμπαγείς δίσκους

Καθώς βρώμικοι, χαλασμένοι ή παραμορφωμένοι δίσκοι μπορούν να αποτελέσουν αιτία βλάβης της συσκευής, πρέπει να δώσετε σημασία στα εξής στοιχεία:

- a. Οι συμπαγείς δίσκοι που μπορείτε να χρησιμοποιήσετε. Μπορείτε να χρησιμοποιείτε μόνο τους παρακάτω αναφερόμενου δίσκους.
- b. Δίσκους CD αποκλειστικά με ψηφιακό σήμα ήχου.

ΠΡΟΣΟΧΗ



Δήλωση

Δια του παρόντος η εταιρεία Blaupunkt Competence Center 2N-Everpol Sp. z o.o. δηλώνει ότι η παρούσα συσκευή είναι συμβατή με τις προϋποθέσεις και τις λοιπές σχετικές προβλέψεις της οδηγίας 2014/53 / ΕΕ. Μπορείτε να λάβετε την πλήρη δήλωση συμβατότητας από την ιστοσελίδα www.blaupunkt.com στην καρτέλα του προϊόντος.

Κατόχος άδειας κυκλοφορίας: 2N-Everpol Sp. z o.o.
Puławska 403A, 02-801 Warszawa, Πολωνία
Τηλέφωνο: +48 22 688 08 00, e-mail: info@everpol.pl



Το προϊόν κατασκευάστηκε από υλικά υψηλής ποιότητας και τα συστήματα, τα οποία μπορούν να ανακυκλωθούν και να χρησιμοποιηθούν ξανά.



Εάν υπάρχει σύμβολο διαγραμμένου κάδου απορριμμάτων στη συσκευή σας, σημαίνει ότι το προϊόν καλύπτεται από τις διατάξεις της Ευρωπαϊκής Οδηγίας 2012/19/ΕΕ. Με βάση αυτό, ακολουθήστε τους τοπικούς κανονισμούς και εξοικειωθείτε με τις απαιτήσεις για το τοπικό ηλεκτρικό και ηλεκτρονικό σύστημα συλλογής απορριμμάτων και, στην περίπτωση αυτού του προϊόντος, συμμορφωθείτε με αυτές.

ΜΗΝ ΑΠΟΡΡΙΠΤΕ ΑΥΤΟ ΤΟ ΠΡΟΪΟΝ ΜΕ ΤΑ ΟΙΚΙΑΚΑ ΣΑΣ ΑΠΟΒΛΗΤΑ!

ΑΥΤΟ ΤΟ ΠΡΟΪΟΝ ΠΕΡΙΧΕΙ ΕΠΙΚΙΝΔΥΝΕΣ ΟΥΣΙΕΣ, ΜΙΓΜΑΤΑ ΚΑΙ ΣΥΣΤΑΤΙΚΑ ΤΑ ΟΠΟΙΑ, ΕΑΝ ΜΗ ΕΓΚΕΚΡΙΜΕΝΟ, ΜΠΟΡΕΙ ΝΑ ΕΙΝΑΙ ΠΗΓΗ ΠΙΘΑΝΩΝ ΕΠΙΔΡΑΣΕΩΝ ΣΤΟ ΦΥΣΙΚΟ ΠΕΡΙΒΑΛΛΟΝ ΚΑΙ ΣΤΗΝ ΥΓΕΙΑ ΤΟΥ ΑΝΘΡΩΠΟΥ!

Η σωστή απόρριψη του χρησιμοποιημένου προϊόντος θα αποτρέψει αρνητικές επιπτώσεις στο περιβάλλον και την ανθρώπινη υγεία.



Η συσκευή είναι εξοπλισμένη με μπαταρίες οι οποίες ορίζονται με την ευρωπαϊκή οδηγία 2006/66/ΕΕ. Δεν επιτρέπεται να απορρίπτετε τις μπαταρίες μαζί με τα οικιακά απορρίμματα. Πρέπει να εξοικειωθείτε με τους τοπικούς κανονισμούς για την ξεχωριστή συγκέντρωση των μπαταριών, διότι η κατάλληλη διάθεση προστατεύει από πιθανά αρνητικά αποτελέσματα της για το φυσικό περιβάλλον και την ανθρώπινη ζωή.

Πληροφορίες για την προστασία του περιβάλλοντος

Η συσκευασία περιέχει μόνο τα απαραίτητα στοιχεία. Έχει καταβληθεί κάθε δυνατή προσπάθεια ώστε τα τρία συστατικά της συσκευασίας να διαχωριστούν εύκολα: χαρτί (κουτί), αφρός πολυστερίνης (προστατευτικά μέσα στη συσκευασία) και πολυαιθυλένιο (σασκούλες, προστατευτικό φύλλο). Η συσκευή κατασκευάστηκε από υλικά τα οποία μπορούν να ανακυκλωθούν και να χρησιμοποιηθούν ξανά μετά την αποσυρμολόγησή τους. Πρέπει να ακολουθήσετε τους τοπικούς κανονισμούς σχετικά με τη διάθεση των υλικών συσκευασίας, των μεταχειρισμένων μπαταριών και των περιττών συσκευών.

Η εγγραφή και αναπαραγωγή υλικού μπορεί να απαιτήσει σχετική άδεια. Βλέπε το περί πνευματικών δικαιωμάτων και των δικαιωμάτων/δημιουργών/καλλιτεχνών νόμο.

Παρατήρηση σχετικά με τις ERP2 (Συσκευές σχετικά με την ενέργεια)

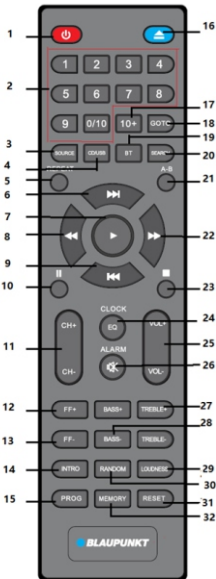
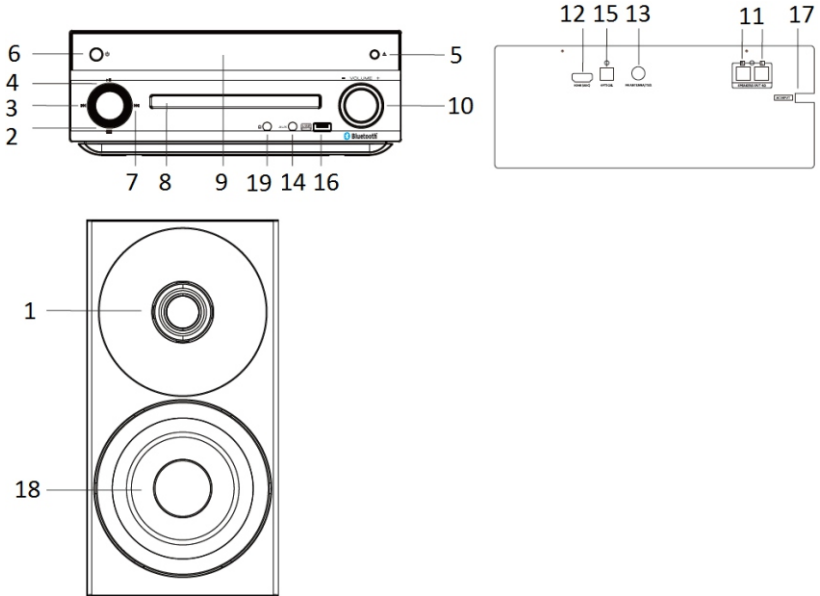
Η παρούσα συσκευή είναι οικολογικού σχεδιασμού και πληροί τις απαιτήσεις της φάσης 2 του Κανονισμού (ΕΚ) αριθ. 1275/2008 της Επιτροπής περί εφαρμογής της οδηγίας 2009/125/ΕΚ σχετικά με την κατανάλωση ενέργειας σε κατάσταση απενεργοποίησης και αναμονής του ηλεκτρικού και ηλεκτρονικού εξοπλισμού γραφείου και οικιακού εξοπλισμού.



Ο κάτοχος των εμπορικών σημάτων και του λογότυπου Bluetooth® είναι η εταιρεία Bluetooth SIG, Inc. USA. Η εκμετάλλευση αυτών των σημάτων και του λογότυπου καλύπτεται από την άδεια χρήσεως. Άλλα σήματα και εμπορικές ονομασίες αποτελούν κυριότητα σχετικών ιδιοκτητών.

Ευχαριστούμε για αγορά του προϊόντος μας, παρακαλούμε να διαβάσετε προσεκτικά τις παρούσες οδηγίες χρήσης πριν να αρχίσετε να τη χρησιμοποιείτε. Διατηρήστε τις οδηγίες χρήσης για πιθανή μελλοντική χρήση.

Τοποθεσία εξαρτημάτων ελέγχου



- 1 - Ηχείο υψηλών συχνοτήτων.
- 2 - Επιλογή πηγής ήχου.
- 3 - Κουμπί «προηγούμενο».
- 4 - Κουμπί αναπαραγωγής/παύσης.
- 5 - Κουμπί εξαγωγής δίσκου CD.
- 6 - Κουμπί αναμονής.
- 7 - Κουμπί «επόμενο».
- 8 - Θύρα CD.
- 9 - Οθόνη.
- 10 - Κουμπί ελέγχου έντασης ήχου.
- 11 - Υποδοχή για ηχεία (4 ohm).
- 12 - Κουμπί ελέγχου HDMI (ARC).
- 13 - Υποδοχή κεραίας FM 75 ohm.
- 14 - Υποδοχή AUX IN.
- 15 - Οπτική είσοδος.
- 16 - Θύρα USB.
- 17 - Είσοδος τροφοδοσίας AC.
- 18 - Ηχείο μεσαίων και χαμηλών συχνοτήτων.
- 19 - έξοδο ακουστικών.

Τηλεχειριστήριο

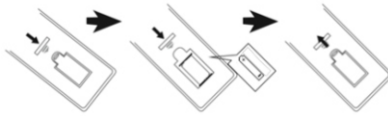
- 1—Ενεργοποίηση/απενεργοποίηση τροφοδοσίας.
- 2—Αριθμητικά κουμπιά.
- 3—Πηγή.
- 4—Κουμπί CD/USB.
- 5—Επανάληψη (Επανάληψη εν όλω, επανάληψη ενός κομματιού, επανάληψη φακέλου, επανάληψη απενεργοποιημένη).
- 6—Επόμενο.
- 7—Αναπαραγωγή.
- 8—Γρήγορη κύλιση προς τα πίσω.
- 9—Προηγούμενο.
- 10—Παύση.
- 11—Κανάλι +/-.
- 12—Συχνότητα FM +.
- 13—Συχνότητα FM -.
- 14—Κουμπί λειτουργίας intro.
- 15—Προγραμματισμός.
- 16—Εξαγωγή δίσκου για CD.
- 17—10 +.
- 18—Κουμπί GOTO.
- 19—Bluetooth.
- 20—Αναζήτηση συχνοτήτων FM.
- 21—Επανάληψη κομματιού ενός ορισμένου έργου A-B.
- 22—Γρήγορη κύλιση προς τα εμπρός.
- 23—Stop.
- 24—Ρολόι /EQ(Music-Game-News-Movie)
- 25—Ένταση ήχου +/-.
- 26—Συναγερμός/Σίγαση.
- 27—Ρύθμιση σοπράνου +/-.
- 28—Ρύθμιση μπάσου +/-.
- 29—Ένταση ήχου.
- 30—Τυχαία αναπαραγωγή ενεργοποιημένη / απενεργοποιημένη.
- 31—Reset.
- 32—Μνήμη.

Σύνδεση ηχείων και παροχής ρεύματος

1. Για να συνδέσετε τα ηχεία στην κύρια μονάδα, τοποθετήστε το βύσμα με το οποίο ολοκληρώνεται το καλώδιο των ηχείων στην υποδοχή ηχείου που υπάρχει στην πίσω πλευρά του περιβλήματος της κύριας μονάδας. Συνδέστε το αριστερό ηχείο στην υποδοχή με τη σήμανση L και το δεξί ηχείο στην υποδοχή με την Σήμανση R.
2. Ελέγξτε εάν η πηγή παροχής ρεύματος αντιστοιχεί στις προδιαγραφές ονομαστικής τάσης που αναγράφονται στην πίσω πλευρά της κύριας μονάδας. Εάν δεν ταιριάζει, συμβουλευτείτε τον αντιπρόσωπο ή το κέντρο τεχνικής υποστήριξης.
3. Συνδέστε το καλώδιο παροχής ρεύματος της κύριας μονάδας σε μια πρίζα τοίχου· μόλις συνδεθεί με το ρεύμα, η οθόνη θα ανάψει και θα εμφανίσει τη μορφή της ώρας.
4. Όταν το σύστημα δεν χρησιμοποιείται για μεγάλο χρονικό διάστημα - αποσυνδέετε τα καλώδια παροχής ρεύματος για να διακόψετε εντελώς την παροχή ρεύματος.

Συναρμολόγηση της μπαταρία του τηλεχειριστηρίου

Ανοίξτε το κάλυμμα της θήκης για μπαταρίες και βάλτε α μπαταρίες τύπου AAA (στο σετ)· επιβεβαιωθείτε ότι η διάταξη των μπαταριών είναι συμβατή με τα σύμβολα θετικής και αρνητικής πόλωσης που είναι επιγεγραμμένα μέσα στη θήκη. Στη συνέχεια κλείστε το κάλυμμα της θήκης για μπαταρίες.



Παρατηρήσεις:

- α. Η λειτουργική απόσταση του τηλεχειριστηρίου είναι 7 μέτρα χωρίς εμπόδια μεταξύ του τηλεχειριστηρίου και της κεντρικής μονάδας. Όταν το τηλεχειριστήριο λειτουργεί πρέπει να έχει την κατεύθυνση στον αισθητήρα που βρίσκεται στην αριστερή γωνία της οθόνης.
- β. Η ευαισθησία του τηλεχειριστηρίου μειώνει μαζί με αποφόρτιση της μπαταρίας. Ανταλλάξτε τη με μια καινούρια για να λειτουργήσει το τηλεχειριστήριο σωστά.
- γ. Βγάλτε τη μπαταρία σε περίπτωση που δεν θα χρησιμοποιήσετε το τηλεχειριστήριο πολύ καιρό.
- δ. Πρέπει να διαθέτετε τις μπαταρίες με τον τρόπο φιλικό για το περιβάλλον. Μάθετε τις απαιτήσεις των τοπικών αρχών σχετικά με τη διάθεση.

Γενικός χειρισμός

- 1. Ενεργοποίηση/απενεργοποίηση τροφοδοσίας και τρόπος λειτουργίας ετοιμότητας** Η οθόνη θα ανάψει όταν η συσκευή συνδεθεί επιτυχώς σε πηγή εναλλασσόμενου ρεύματος· παρακαλώ βγάλτε το φως AC για να απενεργοποιήσετε πλήρως την τροφοδοσία. Πατήστε το κουμπί τροφοδοσίας στο εμπρόσθιο πάνελ για να ενεργοποιηθεί και να απενεργοποιηθεί τον τρόπο λειτουργίας ετοιμότητας.
- 2. Σίγαση:** πατήστε το κουμπί MUTE στο τηλεχειριστήριο για να σιγάσετε τον ήχο, πατήστε το ξανά για να ανανεώσετε την αναπαραγωγή. Μπορείτε ακόμη να ανανεώσετε την αναπαραγωγή πατώντας το κουμπί έντασης ήχου +/-.
- 3. Επιλογή τρόπο αναπαραγωγής:** πατήστε μερικές φορές το κουμπί SOURCE, για να εναλλάξετε τον τρόπο αναπαραγωγής μεταξύ CD / USB/FM / AUX IN / Bluetooth. Πατήστε το κουμπί CD / USB στο τηλεχειριστήριο για να εναλλάξετε τον τρόπο αναπαραγωγής CD ή USB. Πατήστε το κουμπί επιλογής πηγής στο μπροστινό πάνελ για να αποκτήσετε τις ίδιες λειτουργίες.
- 4. Ρύθμιση έντασης ήχου:** πατήστε το κουμπί VOL +/- στο τηλεχειριστήριο ή περιστρέψτε το διακόπτη έντασης ήχου στο εμπρόσθιο πάνελ για να αυξήσετε ή να μειώσετε την αρχική ένταση ήχου.
- 5. Εκουαλάιζερ:** πατήστε το κουμπί EQ, για να εναλλάξετε τον τρόπο λειτουργία του εκουαλιζέρ μεταξύ Music-Game-News-Movie.
- 6. Ρύθμιση χαμηλών και υψηλών ντόν:** πατήστε σύντομα το κουμπί ρύθμισης σοπράνου +/- ή πάσου +/- από το τηλεχειριστήριο για να προγραμματίσετε τη ρύθμιση υψηλών και χαμηλών τόνων για τον ήχο εξόδου.
- 7. Αριθμητικά πλήκτρα 0 ~ 9 και το πλήκτρο 10-:** Γράψτε κατάλληλους ψήφους και πατήστε το περιμένετε μια στιγμή με σκοπό την επιβεβαίωση και στη συνέχεια η συσκευή θα αναπαραγάγει το επιλεγμένο αριθμό του κομματιού. Πατώντας το κουμπί 10+ επιτρέπεται να παραλείψετε επόμενα κομμάτια κατά 10 κομμάτια σε περίπτωση που φορέα όπου έχει πάνω από 10 κομμάτια. Αυτή η λειτουργία είναι διαθέσιμη στον τρόπο αναπαραγωγής CD και USB.
- 8. Αναπαραγωγή, παύση και σταμάτημα** Στο τρόπο CD / USB / Bluetooth πατήστε το κουμπί αναπαραγωγής και παύσης για να αναστείλει ή να ανανεώσετε την αναπαραγωγή. Στον τρόπο CD και USB πατήστε το κουμπί σταματήματος για να σταματήσει την αναπαραγωγή, πατήστε το κουμπί αναπαραγωγής για να ανανεώσετε την αναπαραγωγή.
- 9. Προηγούμενο/επόμενο, κύλιση προς τα εμπρός και προς τα πίσω:** σύντομο πάτημα του κουμπιού προηγούμενο/επόμενο προκαλεί μεταβίβαση στην αναπαραγωγή τελευταίου ή επόμενου κομματιού. Πατήστε και κρατήστε το κουμπί κύλισης προς τα εμπρός/ προς από το τηλεχειριστήριο τα πίσω για να κυλίσετε γρήγορα προς τα εμπρός ή προς τα πίσω το τρέχον κομμάτι και να επιστρέψετε στον κανονικό τρόπο αναπαραγωγής αφού απελευθερώσετε το κουμπί.
- 10. Επανάληψη αναπαραγωγής:** Στον τρόπο CD ή USB πατήστε μερικές φορές το κουμπί αναπαραγωγής για να επαναλάβετε ένα κομμάτι, επαναλάβετε το φάκελο, να επαναλάβετε όλο το περιεχόμενο του φορέα ή να απενεργοποιηθεί την επανάληψη.

- 11. Τυχαία αναπαραγωγή:** πατήστε και κρατήστε το κουμπι τυχαίας αναπαραγωγής για να ενεργοποιησετε ή να απενεργοποιήσετε την τυχαία αναπαραγωγή.
- 12. Εισαγωγή δίσκου CD:** Πατήστε το κουμπι ανοίγματος του καλύμματος CD για να το ανοίξετε και στη συνέχεια βάλτε το CD. Πατήστε το ξανά για να κλείσετε το κάλυμμα CD.
- 13. Loudness:** πατήστε σύντομα το κουμπι για να ενισχύσετε το χρωματισμό του ήχου.
- 14. Ακουστικά:** Συνδέστε τα ακουστικά στην υποδοχή ακουστικών που βρίσκεται στον μπροστινό πίνακα, αφού συνδέσετε τα ακουστικά, ο ήχος από τα ηχεία θα απενεργοποιηθεί και θα είναι διαθέσιμος μόνο από τα ακουστικά. Ρυθμίστε την ένταση.
- 15. Επαναλάβετε αναπαραγωγή ορισμένου κομματιού του έργου:** στον τρόπο CD / USB, πατήστε σύντομα το κουμπι A-B στο τηλεχειριστήριο για να επιλέξετε το σημείο ξεκινήματος του επιλεγμένου κομματιού του έργου, πατήστε το ξανά για να επιλέξετε το σημείο τέλους, τότε η συσκευή να επαναλάβει αναπαραγωγή του ορισμένου κομματιού του έργου έως να πατήσετε ξανά το κουμπι A-B για να το ακυρώσετε και να ανανεώσετε κανονική αναπαραγωγή.
- 16. Επαναφορά συστήματος:** στη λειτουργία CD, σύρετε προς τα έξω τη μονάδα εισαγωγής δίσκων CD (χωρίς να κλείσετε), πατήστε και κρατήστε πατημένο το κουμπι επαναφοράς για 3 δευτερόλεπτα για να εμφανιστεί η ένδειξη «reset» στην οθόνη και το σύστημα θα κάνει την επαναφορά.

Αναπαραγωγή του δίσκου CD

Αυτό το μοντέλο έχει τη λειτουργία αναπαραγωγής των δίσκων CD / CD-R-RW και των αρχείων μουσικής καταγραμμένων σε μορφές ήχου MP3 / WMA (οι δίσκοι DVD δεν αναπαράγονται). Πριν να CD πρέπει να ελέγξετε αν δεν υπάρχουν ακαθαρσίες ή ξύσιμο στο δίσκο CD, αντίθετα η συσκευή δεν θα αναπαράγει το CD ή κατά την αναπαραγωγή θα ακουστούν και άλλοι μη ζητούμενοι ήχοι.

1. Πατήστε πολλές φορές το κουμπι επιλογής της πηγής ή το κουμπι CD / USB στο τηλεχειριστήριο για να περάσετε στη αναπαραγωγή CD.
2. Πατήστε το κουμπι ανοίγματος για να ανοίξετε το κάλυμμα CD και βάλτε το δίσκο CD, κλείστε το κάλυμμα CD. Η συσκευή θα αρχίσει αυτόματη αναγνώριση και αναπαραγωγή του δίσκου CD.
3. Δημιουργήστε το δικό σας κατάλογο αναπαραγωγής (δυνατότητα προγραμματισμού το μέγιστο 20 κομματιών για τους δίσκους CD και έως 99 κομμάτια για τους δίσκους WMA / MP3)
 - α. Στον τρόπο αναπαραγωγής πατήστε πρώτα το κουμπι stop και στη συνέχεια πατήστε το κουμπι προγραμματισμού για να αρχίσετε να δημιουργείτε τη λίστα σας.
 - β. Στην οθόνη εμφανίζεται η επιγραφή "XXX PXX", πατήστε το κουμπι επόμενο/προηγούμενο ή αριθμητικό κουμπι για να επιλέξετε το κομμάτι που θέλετε να προγραμματίσετε και στη συνέχεια πατήστε το κουμπι προγραμματισμού για την επιβεβαίωση.
 - γ. Στη συνέχεια προβάλλεται το προγραμματισμένο κομμάτι και η συσκευή αρχίζει προγραμματισμό επόμενου κομματιού. Παραδείγματος χάριν "006 P01" σημαίνει ότι το κομμάτι 6 προγραμματίστηκε ως κομμάτι 01.
 - δ. Επαναλάβετε τα βήματα Β και C για να προγραμματίσετε τα επόμενα κομμάτια ευστότου στην οθόνη θα προβληθεί το "FULL". Στη συνέχεια να πατήσετε το κουμπι αναπαραγωγής για να αρχίσετε την αναπαραγωγή της προγραμματισμένης λίστας. Για να ακυρώσετε και να διαγράψετε τον προγραμματισμένο κατάλογο αναπαραγωγής, πατήστε το κουμπι διακοπής δύο φορές ή βγάλτε το δίσκο CD.
4. Κατά αναπαραγωγή CD διαθέσιμες είναι οι εξής λειτουργίες: επανάληψη και παύση, σταμάτημα, σίγαση, τυχαία επανάληψη, επιλογή 1ου, λειτουργία EQ, κύλιση προς τα εμπρός/προς τα πίσω, τυχαία επιλογή με χρήση των αριθμητικών πλήκτρων κλπ. Παρακαλούμε να μάθετε το μέρος γενικού χειρισμού στις παρούσες οδηγίες χρήσης.

Χειρισμός ραδιοφώνου FM

Πριν να αρχίσετε να ακούτε το ραδιόφωνο FM, παρακαλούμε να συνδέσετε την προμηθευμένη κεραία FM στην υποδοχή FM του οπίσθιου πάνελ τη συσκευή δίπλα σε παράθυρο για να έχετε καλύτερη αποδοχή του σήματος FM.

- 1. Αυτόματη σάρωση και προγραμματισμός ραδιοφωνικών σταθμών:** Πατήστε πολλές φορές το κουμπι επιλογής πηγής για να διαπεράσετε στον τρόπο λειτουργίας ραδιοφώνου FM: πατήστε και κρατήστε το κουμπι σάρωσης της συχνότητας FM ή το κουμπι αναπαραγωγής / παύσης (2 δευτερόλεπτα) στο εμπρόσθιο πάνελ για να ενεργοποιήσετε τη σάρωση και την αυτόματη καταγραφή διαθέσιμων ραδιοφωνικών σταθμών. Η συσκευή μπορεί να αποθηκεύσει έως (μέγ.) 40 σταθμούς. Πατήστε το εμπρόσθιο κουμπι "προηγούμενο ή επόμενο" εμπρόσθιο πάνελ της κεντρικής μονάδας, ή πατήστε το κουμπι κανάλι +/- ή το αριθμητικό κουμπι στο τηλεχειριστήριο για να επιλέξετε τον προγραμματισμένο ραδιοφωνικό σταθμό.
- 2. Χειροκίνητος συντονισμός ή αυτόματη σάρωση:** Πατήστε σύντομα το κουμπι συντονισμού FF +/-, για να αυξήσετε τη συχνότητα κατά 0,1 MHz; πατήστε και κρατήστε για 2 δευτερόλεπτα το κουμπι FF +/- ή "προηγούμενο/επόμενο" στο εμπρόσθιο πάνελ για να σαρώσετε αυτόματα το διαθέσιμο σταθμό FM προς τα πάνω ή προς τα κάτω της ζώνης και στη συνέχεια η σάρωση θα σταματήσει και αυτόματα θα αναπαράγει το διαθέσιμο σταθμό.
- 3. Χειροκίνητος προγραμματισμός σταθμών:** αφού προγραμματίσετε το αγαπημένο σας σταθμό με χειροκίνητο συντονισμό ή αυτόματη σάρωση, πρώτα πατήστε το κουμπι μνήμης στο τηλεχειριστήριο και οι ψηφοί θα αρχίσουν να αναβοσβήνουν στην οθόνη, τότε πατήστε το κουμπι κουμπι κανάλι +/- για να αλλάξετε τον αριθμό στον οποίο θέλετε να αποθηκεύσετε τον επιλεγμένο σταθμό. Στη συνέχεια πατήστε το κουμπι μνήμης για την επιβεβαίωση της επιλογής και ο τρέχων σταθμός FM θα αποθηκευθεί. Επαναλάβετε την ενέργεια για να αποθηκεύσετε άλλο σταθμό.
- 4. Πέρασε στην ορισμένη συχνότητα:** πρώτα πατήστε το κουμπι GOTO στο τηλεχειριστήριο και στη συνέχεια εγγραψτε την ορισμένη συχνότητα του σταθμού FM όπως 1-0-4-3 χρησιμοποιώντας τα αριθμητικά κουμπιά και στη συνέχεια περάστε στην αναπαραγωγή του.

Χειρισμός USB

Το προϊόν έχει τη λειτουργία αναπαραγωγής USB πο μπορεί να αποκωδικοποιήσει και να αναπαράγει μουσική από τους εναλλασσόμενους φορείς USB. Πριν να αρχίσετε την διαδικασία πρέπει να αναγράψετε μουσική σε μορφή MP3 / WMA στη μνήμη USB Μέγιστη χωρητικότητα της μνήμης USB μπορεί να έχει έως 32 GB.

1. Πριν να αρχίσετε την αναπαραγωγή USB επιβεβαιωθείτε ότι η μνήμη USB έχει συνδεθεί κατάλληλα στην υποδοχή USB. Στη συνέχεια περάστε στον τρόπο αναπαραγωγής USB πατώντας το κουμπι επιλογής της πηγής ή CD / USB στο τηλεχειριστήριο. Στη συνέχεια η συσκευή θα κωδικοποιησει και θα αρχίσει να αναπαράγει μουσική αυτόματα μετά από κάποια δευτερόλεπτα.
2. Στον τρόπο USB διαθέσιμες είναι οι εξής λειτουργίες ελέγχου: αναπαραγωγή και παύση, εξασθένιση ήχου, διόρθωση ήχου κύλιση προς τα εμπρός και προς τα πίσω κλπ. Οι πληροφορίες για αυτό το θέμα αναφέρονται στο κεφάλαιο για το γενικό

χειρισμό στις παρούσες οδηγίες χρήσης.

Παρατήρησης:

- α. Δεν προτείνεται να συνδέσετε τη μνήμη USB μέσα από τις προεκτάσεις USB, γιατί αυτό μπορεί να επηρεάσει αρνητικά την ποιότητα αναπαραγωγής και να δημιουργήσει θόρυβο ή διακομμένο ήχο λόγω απώλειας δεδομένων ήχου κατά μεταφορά των αρχείων.
 - β. Δεν εγγυάμαστε τη δυνατότητα αποκωδικοποίησης όλων των αρχείων MP3/WMA.
 - γ. Η μέγιστη χωρητικότητα των φορέων USB έως 32 GB.
 - δ. Το προϊόν μπορεί να αποκωδικοποιήσει και να αναπαραγάγει μουσική από τους εναλλασσόμενους φορείς USB και αυτό μπορεί να διαρκέσει πολλή ώρα. Πρέπει να δώσετε σημασία ότι αυτό δεν είναι βλάβη.
- Χειρισμός Bluetooth
Το προϊόν αυτό έχει τη λειτουργία Bluetooth που επιτρέπει την ασύρματη αναπαραγωγή του ήχου σε άλλες τις συσκευές

Bluetooth .

1. Πατήστε πολλές φορές το κουμπί επιλογής της πηγής και στη θόνη προβάλεται η προειδοποίηση "BLUE-T". Ενεργοποιήστε τη λειτουργία Bluetooth στην εξωτερική συσκευή και αναζητήστε τις διαθέσιμες συσκευές Bluetooth (εξοικειωθείτε με τις οδηγίες χρήσης της εξωτερικής συσκευής) και στη συνέχεια ελέγξτε τις διαθέσιμες συσκευές Bluetooth στον κατάλογο.
2. Επιλέξτε το «BP MS30.2BT» για ζευξη- όταν συνδεθεί με επιτυχία στη συσκευή Bluetooth, το μήνυμα BLUE-T στην οθόνη θα σταματήσει να αναβοσβήνει.
3. Επιλέξτε και αναπαραγάγετε τη μουσική ξανά από την εξωτερική συσκευή Bluetooth και στη συνέχεια ο ήχος θα αναπαραχθεί με χρήση το μεγάφωνο αυτής της συσκευής.
4. Πατήστε το κουμπί προηγούμενο / επόμενο για να επιλέξετε το τελευταία και το επόμενο κομμάτι κατά την αναπαραγωγή.
5. Στον τρόπο USB διαθέσιμες είναι οι εξής λειτουργίες ελέγχου: αναπαραγωγή / παύση, εξασθένηση ήχου, διόρθωση ήχου κλπ. Οι πληροφορίες για αυτό το θέμα αναφέρονται στο κεφάλαιο για το γενικό χειρισμό στις παρούσες οδηγίες χρήσης.
6. Παρεταταμένο πάτημα (3 δευτερόλεπτα) του κουμπιού αναπαραγωγής/παύσης στον μπροστινό πίνακα μπορεί να απουσυνδέσει τη σύνδεση με την τρέχουσα συσκευή Bluetooth.

Παρατήρηση:

- α. Δεν εγγυάμαστε την κατάλληλη ζεύξη με όλες τις συσκευές Bluetooth λόγω διαφορετικών κατασκευών και κατασκευαστών.
- β. Το φάσμα λειτουργίας Bluetooth είναι 10 μέτρα χωρίς εμπόδια μεταξύ των συσκευών.
- γ. Η συσκευή μπορεί να συνδεθεί και να συνεργαστεί με μια συσκευή Bluetooth ταυτόχρονα.
- δ. Αποσυνδέστε τη σύνδεση Bluetooth πριν από σύνδεση με άλλη συσκευή, αντίθετα η συσκευή "BP MS30.2BT" μην εμφανιστεί στην λίστα συνδέσεων.

Υποστήριξη ψηφιακών εισόδων

Αυτό το μοντέλο διαθέτει ψηφιακή οπτική και είσοδο HDMI (ARC) που σας επιτρέπει να το συνδέσετε σε τηλεόραση ή άλλες συμβατές εξωτερικές συσκευές για αναπαραγωγή ήχου.

Οπτική είσοδος: Χρησιμοποιήστε ένα οπτικό καλώδιο (δεν παρέχεται) για να συνδέσετε τη θύρα εξόδου της τηλεόρασης ή άλλη συσκευή στην οπτική είσοδο που είναι ενσωματωμένη σε αυτό το μοντέλο. Πατήστε επανειλημμένα το κουμπί επιλογής πηγής για να μεταβείτε στη λειτουργία οπτικής εισόδου. Ελέγξτε και ρυθμίστε το επίπεδο έντασης τόσο σε αυτήν τη μονάδα όσο και στην τηλεόραση ή σε άλλη εξωτερική συσκευή, επιλέξτε και παίξτε το επιθυμητό περιεχόμενο και, στη συνέχεια, ο ήχος θα αναπαραχθεί μέσω αυτού του μοντέλου.

Είσοδος HDMI(ARC): Αυτό το μοντέλο υποστηρίζει την είσοδο HDMI με ARC (κανάλι επιστροφής ήχου). Εάν η τηλεόρασή σας είναι συμβατή με το πρότυπο HDMI ARC (ελέγξτε τις προδιαγραφές της τηλεόρασης σας για λεπτομέρειες), μπορείτε να ακούσετε τον ήχο της τηλεόρασης μέσω των ηχείων αυτού του μοντέλου. Χρησιμοποιήστε ένα καλώδιο HDMI (δεν παρέχεται) για να συνδέσετε αυτήν τη μονάδα στην τηλεόραση, πατήστε επανειλημμένα το κουμπί επιλογής πηγής σε αυτό το μοντέλο για να μεταβείτε στη λειτουργία HDMI ή πηγή θα μεταβεί αυτόματα σε λειτουργία HDMI όταν η τηλεόραση συνδεθεί με επιτυχία και ενεργοποιηθεί. Ρυθμίστε το επίπεδο έντασης, επιλέξτε και παίξτε περιεχόμενο στην τηλεόραση και, στη συνέχεια, ο ήχος του επιλεγμένου προγράμματος θα αναπαραχθεί από τα ηχεία αυτής της μονάδας.

Προσοχή!

α. Στη λειτουργία ψηφιακής εισόδου (οπτικής και HDMI ARC), η έξοδος σήματος ήχου πρέπει να ρυθμιστεί σε «PCM stereo» ή «stereo 2.0» στην τηλεόραση ή την εξωτερική συσκευή (λεπτομέρειες στις οδηγίες λειτουργίας της τηλεόρασης ή της εξωτερικής συσκευής), διαφορετικά αυτή η μονάδα δεν θα παίξει τον ήχο.

β. Βεβαιωθείτε ότι η τηλεόρασή σας υποστηρίζει τη σύνδεση HDMI ARC. Η τηλεόραση ενδέχεται να διαθέτει αρκετές θύρες HDMI, επομένως ελέγξτε και συνδέστε σωστά τη θύρα εξόδου HDMI ARC, συνήθως δίπλα στη θύρα εισόδου πληροφοριες σχετικά με το ποια θύρα υποστηρίζει το HDMI ARC (ελέγξτε τις οδηγίες χρήσης της τηλεόρασης ή τις προδιαγραφές της).

γ. Κατά την επιλογή και την αγορά ενός καλωδίου HDMI για σύνδεση, βεβαιωθείτε ότι υποστηρίζει HDMI V1.3 και νεότερη έκδοση και ότι είναι καλώδιο 19 στρωμάτων.

δ. Εάν δεν υπάρχει ηχητικό σήμα ή σήμα διαίπυουσα εξόδου, ελέγξτε προσεκτικά τις παραπάνω σημειώσεις και βεβαιωθείτε ότι η σύνδεση μεταξύ του μικρού πύργου και της άλλης συσκευής είναι σωστή.

ε. Στη λειτουργία αναπαραγωγής ψηφιακού σήματος εισόδου, η ρύθμιση ελέγχου έντασης/εξισορρόπησης/σίγησης κ.λπ. είναι διαθέσιμη μέσω του τηλεχειριστηρίου.

Χειρισμό τρόπου LINE IN (AUX IN)

Για να συνδέσετε και να αναπαραγάγετε μουσική από άλλη διάταξη αναπαραγωγής ή πηγή, εκτελέστε τα παρακάτω βήματα:
1. Χρησιμοποιώντας το παραδεδομένο (3.5mm έως 3.5mm stereo) συνδέστε την υποδοχή AUX IN (τύπος 3.5mm stereo) στον μπροστινό πίνακα πάνω τη κεντρικής συσκευής και τη δεύτερη σύνδεση στέρεο 3,5 mm συνδέστε στη γραμμική υποδοχή ή στην υποδοχή ακουστικών εξωτερικής αναπαραγωγής. Επιλέξτε τον τρόπο AUX IN πατώντας το κουμπί πηγής.

2. Αναπαραγάγετε μουσική στην εξωτερική συσκευή και ο ήχος θα αναπαραχθεί μέσα από τα μεγάφωνα της παρούσας συσκευής.

3. Στον τρόπο αναπαραγωγής AUX IN κεντρικός έλεγχος βρίσκεται από την πλευρά της εξωτερικής συσκευής. Στη παρούσα συσκευή μπορείτε να ελέγξετε την ένταση ήχου, το εκουαλίζερ EQ και να σιγάσετε ήχο.

Προγραμματισμός ρολογιού και συναγερμού (ζύπνημα με αναπαραγωγή και αυτοαναπαγωγή).

Η συσκευή έχει ρολόι και συναγερμό που επιτρέπουν να χρησιμοποιήσετε τη μονάδα ως ζυπνητήρι. Η συσκευή θα αρχίσει να αναπαραγάγει μουσική αυτόματα στην προγραμματισμένη από πριν ώρα.

1. Προγραμματισμός ρολογιού: στον τρόπο λειτουργίας αναμονής, πατήστε και κρατήστε για κάποια δευτερόλεπτα το κουμπί "CLOCK" του τηλεχειριστηρίου για να αρχίσετε να προγραμματίζετε το ρολόι, η ένδειξη ώρας θα αρχίσει να αναβοσβήνει.

Πατήστε το κουμπί κουμπί κανάλι+ / για να επιλέξετε τη μορφή ώρας 12/24, πατήστε το κουμπί "CLOCK" στο τηλεχειριστήριο για να επιβεβαιώσετε την επιλογή σας. Στη συνέχεια τα ψηφία των ωρών θα αρχίσουν να αναβοσβήνουν στην οθόνη, πατήστε το κουμπί κουμπί κανάλι+ / για να προγραμματίσετε τη σωστή ώρα και πατήστε ξανά το κουμπί "CLOCK" με σκοπό να επιβεβαιώσετε την επιλογή σας. Στη συνέχεια τα ψηφία λεπτών θα αρχίσουν να αναβοσβήνουν στην οθόνη, πατήστε το κουμπί κουμπί κανάλι+ / για να προγραμματίσετε τα σωστά λεπτά και πατήστε ξανά το κουμπί "CLOCK" στο τηλεχειριστήριο, με σκοπό να επιβεβαιώσετε την επιλογή σας και να ολοκληρώσετε τον προγραμματισμό ώρας.

2. Προγραμματισμός συναγερμού: στον τρόπο λειτουργίας ρολογιού, πατήστε και κρατήστε για κάποια δευτερόλεπτα το κουμπί "ALARM" στο τηλεχειριστήριο για να αρχίσετε να προγραμματίζετε τον συναγερμό, τότε θα εμφανιστεί στην οθόνη η ώρα του συναγερμού· πατήστε το κουμπί αλλαγής καναλιού + / - για να ρυθμίσετε την επιθυμητή ώρα συναγερμού και, στη συνέχεια, πατήστε το κουμπί ρολογιού για να επιβεβαιώσετε την επιλογή· τώρα προχωρήστε στη ρύθμιση των υπόλοιπων παραμέτρων: λεπτά/ημέρη συναγερμού (FM/CD/USB)/ένταση αφύπνισης, που είναι μια λειτουργία παρόμοια με τη ρύθμιση του χρόνου συναγερμού. Πατήστε ξανά το κουμπί συναγερμού για να επιβεβαιώσετε και να ολοκληρώσετε την επιλογή.

Παρατήρηση:

- Ο προγραμματισμός του ρολογιού και του συναγερμού είναι διαθέσιμοι μόνο όταν η συσκευή είναι συνδεδεμένη στην τροφοδοσία. Πρέπει να προγραμματίσετε ξανά το ρολόι και τον συναγερμό μετά από κάθε απώλεια της τάσης.
- Μόλις ο συναγερμός ρυθμιστεί σωστά, το εικονίδιο συναγερμού θα εμφανιστεί στην οθόνη. Το σύμβολο πάτημα του κουμπιού "ALARM" στον τρόπο αναμονής ενεργοποιεί τον συναγερμό, ενώ το επόμενο σύμβολο πάτημα του κουμπιού "ALARM" προκαλεί απενεργοποίηση του συναγερμού.
- Όταν ο συναγερμός ενεργοποιηθεί, η συσκευή θα ενεργοποιήσει την αναπαραγωγή (CD/FM ραδιόφωνο/USB) αυτόματα. Πατήστε το κουμπί λειτουργίας για να σταματήσετε τον συναγερμό.

Επίλυση προβλημάτων

1. Δεν μπορώ να ενεργοποιήσω τη συσκευή.

α. Ελέγξτε αν το καλώδιο τροφοδοσίας είναι κατάλληλα συνδεδεμένο στην πρίζα τοίχου.

2. Δεν υπάρχει ήχος.

α. Δοκιμάστε να ρυθμίσετε την ένταση ήχου.

β. Ελέγξτε αν επιλέξατε κατάλληλο τρόπο αναπαραγωγής.

γ. Σε περίπτωση που έχετε προβλήματα επικοινωνήστε με το κέντρο σέρβις.

3. Δεν υπάρχει δυνατότητα αναπαραγωγής του δίσκου CD.

α. Δοκιμάστε να ανταλλάξετε το δίσκο CD με μουσική σε μορφή CD / CD-R-RW / MP3 / WMA.

β. Καθαρίστε το δίσκο CD.

γ. Σε περίπτωση που έχετε προβλήματα επικοινωνήστε με το κέντρο σέρβις.

4. Θόρυβος στον τρόπο λειτουργίας FM.

α. Εκτείνετε πλήρως την κεραία FM, δοκιμάστε να προσδιορίσετε την κατεύθυνση της κεραίας

β. Μεταφέρτε τη μονάδα δίπλα σε ένα παράθυρο.

γ. Επιλέξτε άλλη συχνότητα.

5. Κομμένος ήχος κατά αναπαραγωγή Bluetooth.

α. Δοκιμάστε να μεταφέρετε τη συσκευή Bluetooth πιο κοντά στην παρούσα συσκευή

β. Δοκιμάστε να ενεργοποιήσετε τη λειτουργία Bluetooth στην εξωτερική συσκευή και ενεργοποιήστε τη.

6. Τηλεχειριστήριο δεν λειτουργεί σωστά.

α. κατευθύνετε το τηλεχειριστήριο στον ανιχνευτήρα που βρίσκεται από αριστερά της οθόνης.

β. Ανταλλάξτε τη μπαταρία λόγω χαμηλούπέπεδο φόρτισης της.

Προδιαγραφή

Πηγή τροφοδοσίας: AC 110-240 V, 50/60 Hz

Συμβατό με το CD: CD / CD-R-RW / MP3 / WMA

Συχνότητα FM: 87,5-108,0 MHz

Παράμετροι USB: 5 V, 500 mA, εκδοχή 2.0, εξυπηρετούμενες συσκευές έως 32 GB

Bluetooth: 5.0, απόσταση λειτουργίας έως 10 μέτρα

Είσοδος HDMI ARC V2.0, 1 x οπτική είσοδος.

Ισχύς εξόδου RMS: 2 x 25 W (subwoofer)

Κατανάλωση ενέργειας: 60W total

Λήψη ισχύος στον τρόπο λειτουργίας ετοιμότητας: <0,5W

(Προσοχή: η παραπάνω προδιαγραφή μπορεί να μεταβληθεί χωρίς προγενέστερη κοινοποίηση)

HOIATUS**HOIATUS**ELEKTRILÖÖGIOHT
MITTE AVADA**Hoiatus:**

Elektrilöögi ohu vähendamiseks ei tohi seadme katet ega tagumist osa lahti monteerida. Seadmes ei ole kasutajapoolseks iseseisvaks parandamiseks ette nähtud elemente. Seadme hoolduse ja parandamisega tegelevad ainult teeninduse kvalifitseeritud töötajad.

Graafiliste sümbolite selgitus:

Välgunoole sümbol võrdkülgses kolmnurgas hoiatab kasutajat seadme sees esinevast isoleerimata „ohtlikust pingest“, mis võib saavutada elektrilöögi ohuga ähvardava tugevuse.



Hüüumärk võrdkülgses kolmnurgas hoiatab kasutajat sellest, et antud hetkel edastatakse seadmega kaasas olevas dokumendis seadme teenindust ja hooldust käsitlevat olulist teavet.

Enne seadme teenindamise alustamist palume käesolev juhend, selle funktsioonidega tutvumiseks ja sihtotstarbeliseks kasutamiseks, läbi lugeda. See tagab seadme kauakestva, raketeta teeninduse ja kasutusrõõmu.

Oluline informatsioon.

- Teenindusjuhend ja ohutus käsitlev teave tuleb edaspidiseks kasutuseks säilitada.
- Ei tohi lasta tekkida olukorral, kui seadmele või selle sisemusse tilgub vesi.
- Samuti ei tohi seadet kasutada niisketes kohtades, nagu nt vannituba.
- Antud seadet ei tohi paigaldada järgnevatesse kohtadesse:
- Mis on avatud päikesekiirguse vahetule toimele või radiaatorite läheduses.
- Asetada muu, soojust eraldava, stereofoonilise varustuse peale.
- Blokeerides ventilatsiooni või tolmusesse kohta.
- Pidevale vibratsioonile allutatud kohtadesse.
- Kõrge niiskustasemega kohtadesse.
- Seadet ei tohi asetada küünalde või avatud tule lähedusse.
- Seadet võib kasutada ainult käesolevas juhendis kirjeldatud viisil.
- Enne toite esimest sisselülitamist tuleb veenduda, et toide oleks õigesti ühendatud.
- USB mälu ühendatakse vahetult või kuni 25 cm pikkuse USB pikendusjuhtmega.

Ohutuse seisukohalt ei tohi korpusi lahti võtta ega üritada seadme sisemusse tungida. Seadet võivad parandada ainult teeninduse kvalifitseeritud töötajad.

Seadet ei tohi lahti keerata ega selle korpusi avada, sest selles ei ole kasutaja poolt parandatavaid osi. Seadme hoolduse ja parandamisega tegelevad ainult teeninduse kvalifitseeritud töötajad.

OHUTUST KÄSITLEV OLULINE TEAVE

1. Lugeda juhend läbi – enne seadme kasutamist alustamist tuleb kogu teenindusjuhend ja ohutus käsitlev teave läbi lugeda.
2. Säilitada juhend – kasutus- ja teenindusjuhend tuleb edaspidiseks kasutuseks säilitada.
3. Järgida hoiatusi – toimida kooskõlas kõikide seadmel paiknevate hoiatuste ja teenindusjuhendiga.
4. Järgida juhiseid – toimida kooskõlas teenindusjuhendi ja kasutajale mõeldud juhistega.
5. Paigaldus – paigaldada seade kooskõlas tootja juhistega.
6. Toiteallikad – seadme toiteks peab kasutama ainult toitekaabli märgistustel antud parameetritega allikaid. Juhul kui kasutaja ei ole kindel kodus oleva toite liigis, peab ta ühendust võtma seadme müüja või kohaliku elektrienenergia tarnijaga.
7. Toite maandus ja polaarsus – seade ei pea olema maandatud. Vältimaks tihvtide või klemmide paljastumist veenduda, et pistik oleks võrgupessa või pikendusese sisestatud lõpuni. Mõned seadme versioonid võivad olla varustatud vahelduvvoolu polaarse pistikuga (üks tihvt laiem). Selliseid pistikuid võib sisestada võrgupessa ainult ühel viisil. See on kaitsefunktsioon. Kui pistikut ei saa pesa sisestada tuleb proovida seda pöörata. Kui pistik ei sobi ka siis pesaga tuleb elektrikul tellida selle väljavahetamine. Polaarselt pistikut ei tohi kaitseid eemaldada. Kasutades muud pikendusjuhet või toitekaablit, kui seadmega koos tarnitavat, peavad neil olema asjakohased pistikute, võrgupesadele ja kohtadele, kus kaabel läbi veetakse.
8. Toitekaabli kaitse – toitekaabel tuleb vedada nii, et selle peal ei oleks võimalik kõndida, seda suruda või asetatud esemetega vigastada. Pöörata erilist tähelepanu pistikutele, võrgupesadele ja kohtadele, kus kaabel läbi veetakse.
9. Ülekormamine – seinakontakte, pikendusjuhtmeid ja vargapesasid ei tohi üle koormata, sest see ohustab tulekahju puhkemise või elektrilöögi.
10. Ventilatsioon – seadet tuleb korralikult ventileerida. Seadet ei tohi asetada voodile, diivanile või muudele sarnastele pindadele. Seadet ei tohi katta laulainade, salvrätikute, ajalehtede jms.
11. Soojus – mitte asetada seadet soojusallikate, nagu radiaatorid, kiirgurid, ahjud või muud soojust eritavad seadmed (ka võimendid), lähedale. Mitte asetada seadmele põlevaid künnlaid ja muid avatud tule allikaid.
12. Vesi ja niiskus – tulekahju või elektrilöögi ohu vähendamiseks ei tohi seadet vihma, vee ja niiskuse vahetule toimele, nagu nt saunas või vannitoas, allutada. Mitte kasutada käesolevat seadet vee, näiteks vanni, kraanikausi, köögivalamu või pesupali, läheduses, niiskes keldris või basseini juures (või sarnastes kohtades).
13. Esemed ja vedelikud seadmes – läbi seadme avade ei tohi sisse suruda mingeid esemeid, sest need võivad kokku puutuda ohtliku pinge punktidega, mis omakorda võib põhjustada tulekahju või elektrilöögi. Mitte mingil juhul ei tohi seadme pindadele mingeid vedelikke kallata. Seadmele ei tohi asetada vedelikke sisaldavaid esemeid.
14. Puhastamine – enne puhastamist tuleb seade alati võrgupesast lahti ühendada. Köleri ümbruses võib tolmu eemaldada kuiva lapiga. Kasutades puhastamiseks aerosooli ei tohi pritsimisvoogu suunata vahetult seadmele vaid lapile. Tuleb jälgida, et ajamiüksused kahjustusi ei saaks.
15. Täiendav varustus – keelatud on kasutada tarvikuid, mis ei ole tootja poolt lubatud, sest võivad osutada ohuallikateks.

16. Tarvikud – seadet ei tohi asetada ebastabiilsele kärele, alusraamile, statiivile, tugialusele või lauale. Seade võib ümber kukkuda ja saada kahjustusi ning vigastada tõsiselt last või täiskasvanut. Kasutada ainult tootja poolt määratletud või koos seadmega müüdavaid käreid, alusraame, statiive, tugialuseid või laudu. Seadme paigaldust tuleb teostada kooskõlas tootja juhistega, kasutades tootja poolt soovitatud paigalduskomplekti.
17. Seadme teistsaldamine – kärele paigutatud seadet tuleb sõidutada väga ettevaatlikult. Äkiline pidurdamine, ülemäärane jõud või ebatasane pind võivad põhjustada käre ja seadme ümbermineku.
18. Seadme mittekasutamise periood – toitekaabel tuleb äikesetormide ajal või kui seadet pikema aja jooksul ei kasutata võrgupesast lahti ühendada.
19. Teenindus – keelatud on seadme ülevaltast omakäeliselt läbi viia. Avatud katted võivad põhjustada kokkupuudet ohtliku pingega ja osutada ohtlikuks. Seadme hoolduse ja parandamisega tegelevad ainult teeninduse kvalifitseeritud töötajad.
20. Kui seadet ei kasutata, tuleb selle pistik võrgupesast lahti ühendada. Toiteallikaga ühendatuna on seade ooterežiimis ja ei ole täielikult välja lülitatud.
21. Varuosad – osade väljavahetamisel tuleb kontrollida kas teeninduse töötaja on kasutanud tootja poolt soovitatud varuosid või kas osad on originaalosaladega identsed. Väljavahetamine kinnitamata osade vastu ohustab tulekahju puhkemise, elektrilöögi ja muude turvariskidega.
22. Peakaitsemed – seadme alaliseks tulekahjuvastaseks kaitseks tuleb kasutada õiget tüüpi ja asjakohaste parameetritega kaitsmeid. Antud pingela kaitsete parameetrid on märgitud seadmele.
23. Helitegevust ei tohi muusikapala valitse osa kuulamisel või audio sisendsignaali puudumisel tõsta. Vastasel juhul võib signaali äkiline tugevnemine kõlarit kahjustada.
24. Seadme toiteallikast täieliku lahtiühendamise ainsaks viisiks on toitekaabli toitepesast või seadme eemaldamine. Võrgupesava või toitekaabli seadme sisend peavad toote kasutamise käigus alati juurdepääsetavad olema.
25. Seade tuleb paigutada võrgupesava või pikendusjuhtme lähedusse nii, et need oleks alati juurdepääsetavad.
26. Seadme keskkonna maksimaalne temperatuur võib olla kuni 35°C.
27. Elektrostaatilisest laadusest puudutavad juhised – kui seadme töö on häiritud elektrostaatilisest laadusest tuleb see välja lülitada ja seejärel uuesti sisse lülitada või teise kohta ümber tõsta.
28. Patareid
 - a. Patareid ei tohi allutada ülemäärase soojuse, nagu nt päikesekiired, tuli jms, toimele.
 - b. Patareide utiliseerimisel tuleb pöörata tähelepanu keskkonnakaitse aspektidele.
- c. Patareide kasutamist puudutav hoiatus: patareidel ei tohi lasta kuluda kuni lekkimiseni, mis võib põhjustada kahvigestust ja seadme kahjustusi:
 - Patareide sisestamisel pöörata tähelepanu nende polaarusele (+ ja -).
 - Ei tohi kasutada samaaegselt erinevaid patareid — vanu ja uusi, standardseid ja alkaalipatareid, jne.
 - Kui seadet pikema aja jooksul ei kasutata, tuleb patareid välja võtta.

HOIATUS

Seadet ei tohi kasutada piiratud füüsiliste, sensoorsete ja psüühiliste võimetega või seadmega töötamise kogemusi või teadmisi mitte omavad inimesed (sealhulgas lapsed), kui nad ei viibi nende ohtuse eest vastutavate isikute järelevalve all või kui neid ei ole seadme ohutu kasutamise teemal instrueeritud. Kui seadet teenindavad lapsed, on nõutav täiskasvanute kohaolek; see võimaldab tagada seadme ohutu kasutuse.

1. Keelatud on töötavate seadet järelevalveta jätta! Kui seadet isegi lühikese aja jooksul ei kasutata, tuleb see välja lülitada.
2. Seadet ei tohi teenindada taimeriga välise kella vahendusel ega eraldi asetseva kaugjuhtimisega süsteemi abil.
3. Toitejuhtme kahjustuste korral ohtude vältimiseks peab väljavahetamist teostama tootja, autoriseeritud teeninduspunkt või muu, asjakohast kvalifikatsiooni omav isik.
4. Enne seadme teenindamise juurde asumist tuleb veenduda, et selle pinge vastab kohalikus toitevõrgus esinevale pingele.
5. Seadme ventilatsioonivälvad ei tohi kinni katta, nt ajalehtede, laualina, kardinatega, jms. Tuleb veenduda, et seadme kohal on vähemalt 20 cm vaba ruumi ja sellel igal küljel — vähemalt 5 cm.
6. Ei tohi lasta tekkida olukorral kui seadmele või selle sisemusse tilgub või voolab vedelik ega tohi sellele asetada vedelikega täidetud esemeid, selliseid nagu vaasid.
7. Tulekahju või elektrilöögi vältimiseks tuleb seadet kaitsta kuumade kohtade, vihma, niiskuse ja tolmu toime eest.
8. Seadet ei tohi paigutada mingite veeallikate, nt kraanide, vannide, pesumasinate või ujumisbasseinide lähedusse. Seade tuleb asetada tasasele ja stabiilsele aluspinnale.
9. Seadet ei tohi allutada tugevate magnetväljade toimele.
10. Vahetult võimendile või vastuvõtjale seadet asetada ei tohi.
11. Seadet ei tohi viia niiskesse kohta, sest niiskusel on elektrilistele allüksustele kahjulik mõju.
12. Peale seadme külmast sooja või niiskesse kohta toomist võib mängija sees olevale läätsele tekkida niiskuse kondensatsioon. Sellises olukorras seade korralikult tööle ei hakka. Niiskuse aurumise võimaldamiseks tuleb sisselülitatud seade jätta umbes tunniks ajaks seisma.
13. Seadet ei tohi puhastada keemiliste lahustitega, sest need võivad kahjustada korpuse lakikihti. Seadet pühitakse puhta, kuiva või vähesel määral niisutatud lapiga.
14. Pistiku seinakontaktist eemaldamisel tuleb alati tõmmata pistikut, mitte aga toitekaablit.
15. Kui sisselülitatud seadet kasutatakse sisselülitatud teleri läheduses võib see osutada ekraanil joontena nähtavate häirete allikaks. Sõltub TV ülekande laineribast. See ei tähenda aga ei seadme ega teleri väärat töötamist. Selliste joonte ilmlemisel tuleb seade telerist eemale nihutada.
16. Võrgupistikut kasutatakse toitepinge lahti ühendamiseks ja see peab alati juurdepääsetav olema.
17. CD plaatide esitamise laserpea puhtana hoidmiseks ei tohi seda puutuda ja plaadisalv tuleb alati suletuna hoida.
18. Mängimise ajal pöörleb plaat suure kiirusega. Muusika esitamise ajal EI TOHI seadet tõsta ega liigutada, sest selline tegevus võib põhjustada plaadi või seadme kahjustusi.
19. Enne seadme teise kohta viimist või kolimise ajaks tuleb plaat välja võtta ja plaadisalv sulgeda. Seejärel tuleb välja lülitada toide ja ühendada lahti toitekaabel. Seadme teistsaldamine plaadiga salves võib põhjustada selle kahjustusi.
20. Peale plaadi mängimist tuleb see panna oma pakendisse. Plaat ei tohi jätta päikesekiirte ja soojusallikate vahetusse mõjuvalda. Plaat ei tohi jätta lauspäikse alla pargitud autosse.

21. Ei tohi puutada plaatide etiketita pooli. Sõrmejälgede vältimiseks hoida plaati servast. Tolm, sõrmejäljed või kriimustused võivad põhjustada mängija väärat töötamist. Plaadile ei tohi kleepida silte või isekleepuvat teipi.
22. Plaadid puhastamiseks kasutatakse puhast, ebemeid mitte jätvat lappi. Plaadid puhastamist alustatakse selle keskosast äärte suunas kulgevate sirgjooneliste liigutustega, kasutades selleks üldjuurdepääsetavaid vinüülplaatide puhastusvahendeid.
23. Võimalike kuulmiskahjustuste vältimiseks ei tohi muusikat pikemat aega valjult kuulata.



HOIATUS: KIIRGUSE ALLIKAS

CLASS 1 LASER PRODUCT
LUOKAN 1 LASERLAITE
KLASS 1 LASERAPPARAT

COMPACT
disc
DIGITAL AUDIO

ENNE TÖÖ ALUSTAMIST

Märkused: kompaktplaate puudutavad.

Kuna määratud, kahjustatud või deformeerunud plaadid võivad põhjustada seadme kahjustusi, tuleb tähelepanu pöörata järgnevale elementidele:

- Kasutamiskõlblikud kompaktplaadid. Kasutada võib ainult allpool märgitud plaate.
- CD plaadid ainult digitaalse audioheliga.

TÄHELEPANU



Deklaratsioon

Blaupunkt Competence Center 2N-Everpol Sp. z o.o. teavitab käesolevaga, et seade vastab direktiivi 2014/53 / EL nõuetele ja selle muudele asjakohastele sätetele. Täielik vastavusdeklaratsioon asub leheküljel www.blaupunkt.com toote järjehoidjas.

Vastutav ettevõtte: 2N-Everpol Sp. Z O.O.

Puławska 403A, 02-801 Varssavi, Poola

Telefon: +48 22 688 08 00, e-mail: info@everpol.pl



Toode on toodetud kõrgkvaliteetsetest taastootmisesse suunatavatest ja taaskasutatavatest materjalidest ning allüksustest.



Kui teie seadmel on läbikriipsutatud prügikasti silt, tähendab see, et toode on hõlmatud Euroopa direktiivi 2012/19/EL sätetega. Sellest lähtuvalt järgige kohalike eeskirju ja tutvuge kohaliku elektri- ja elektroonikajäätmete kogumissüsteemi nõuetega ning järgige neid selle toote puhul.

ÄRGE KASUTAGE SEDA TOODET KOOS OLMEJÄÄTMETEGA!

SEE TOODE SISALDAB OHTLIKKE AINEID, SEGUSID JA KOOSTISAINEID, MIS VÕIB LOATAMATA OLLA VÕIMALIKUTE MÕJUTE ALLIKAKS LOODUSKESKKONNALE JA INIMESE TERVISELE!

Kasutatud toote õige utiliseerimine hoiab ära negatiivseid mõjud keskkonnale ja inimeste tervisele.



Seade on varustatud Euroopa direktiiviga 2006/66/EU hõlmatud patareidega. Patareide äraviskamine koos kodumajapidamisjäätmetega on keelatud. Tutvuda patareide eraldiasetsevalt kogumist käsitlevate kohalike eeskirjadega, sest õige utiliseerimine väldib potentsiaalseid looduskeskkonnale ja inimeste tervisele kahju tekitavaid tagajärgi.

Looduskeskkonna kaitset käsitlev teave

Pakend sisaldab ainult vajalikke elemente. Tehtud on kõik endast olenev, et kolm koostismaterjali oleks hõlpsasti eraldatavad: papp (kast), polüstüreenvaht (seesmine kaitse) ja polüetüleen (kotid, kaitsepoogen). Toode on toodetud materjalidest, mida saab suunata taastootmisesse ja peale nende eriotstarbelise ettevõtte poolt demonteerimist, uuesti kasutada. Järgida pakendmaterjalide, patareide ja kasutatud seadmete utiliseerimist käsitlevaid kohalikke ettekirjutusi. Materjalide salvestamiseks ja esitamiseks võib vaja minna nõusolekut. Tutvuge autoriõiguse ja esinejate/kunstnike õiguste seadusega.

ERP2 (elektrienergia seotud seadmed) puudutav märkus

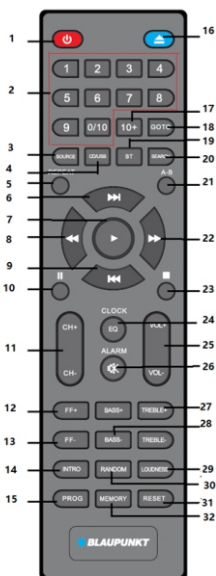
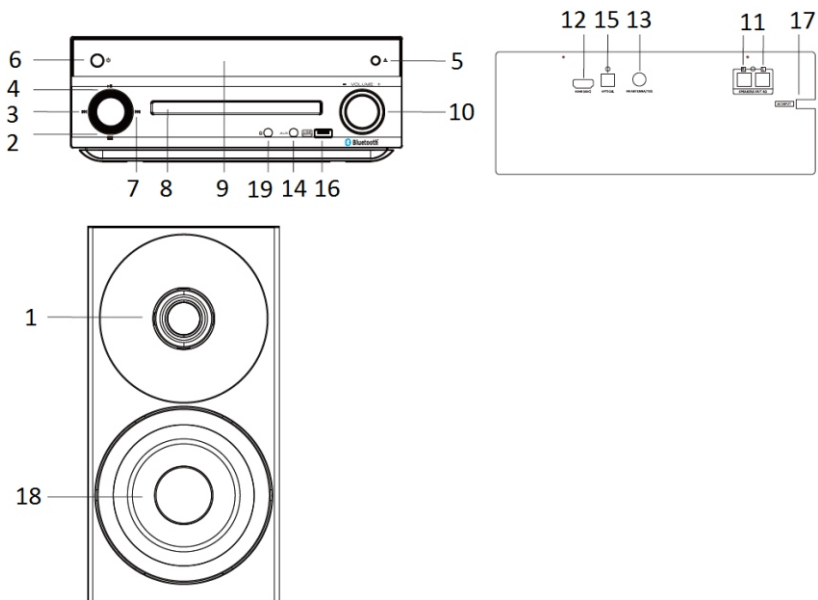
Käeolev ökoprojektiga seade vastab ökoprojektide nõudeid käsitleva KOMISJONI (EÜ) MÄÄRUSE nr 1275/2008 kontori- ja kodukasutuseks mõeldud seadmete väljalülitatuna ja ooterežiimis energiatarbimist puudutava direktiivi 2009/125/WE iõustava 2. etapi nõuetele.



Kaubamärgi ja logo Bluetooth® omanik on ettevõtte Bluetooth SIG, Inc. USA. Asjaomaste kaubamärkide ja logo kasutamine on litsentseeritud. Muud märgid ja kaubanimed kuuluvad asjakohastele omanikele.

Täname meie toote ostmise eest, palume enne seadme kasutamise alustamist käesolev juhend hoolikalt läbi lugeda ja sellega tutvuda. Säilitage juhend tulevikus kasutamiseks.

Juhtelementide asetus



- 1 - Kõrgete toonide kõlar; 2 - Allika valimine; 3 - Nupp „eelmine“;
- 4 - Esituse/pausi nupp; 5 - CD salve väljutamise nupp; 6 - Ooterežiimi nupp;
- 7 - Nupp „järgmine“; 8 - CD salv; 9 - Kuvar; 10 - Helitugevuse pöördnupp;
- 11 - Kõlarite ühendamise pesa (4 Oomi); 12 - HDMI(ARC) sisend;
- 13 - FM antenni pesa 75 ohmi; 14 - AUX IN pesa; 15 - Optiline sisend;
- 16 - USB port; 17 - Vahelduvvoolu toite pesa;
- 18 - Keskmiste-madalate toonide kõlar;
- 19 - Kõrvaklappide väljund;

Kaugjuhtimisipult

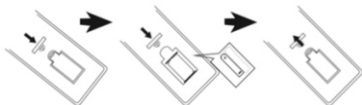
- 1—Toite sisse/välja lülitamine; 2—Numbrilised nupud; 3—Allikas;
- 4—Nupp CD/USB;
- 5—Kordamine (Kõige kordus, ühe muusikapala kordus, kausta kordus, kordus väljalülitatud); 6—Järgmine; 7—Esitamine; 8—Kiire tagasikerimine;
- 9—Eelmine; 10—Paus; 11—Kanal +/-; 12—FM sagedus +;
- 13—FM sagedus -; 14—Intro funktsiooni nupp; 15—Programmeerimine;
- 16—CD salve väljutamine; 17—10 +; 18—Nupp GOTO; 19—Bluetooth;
- 20—FM sageduste otsing; 21—Muusikapala A-B osa kordamine;
- 22—Kiire edasikerimine; 23—Stop;
- 24—Kell/EQ(Music-Game-News-Movie) 25—Helitugevus +/-;
- 26—Alarm/vaigistamine; 27—Sopranite reguleerimine +/-;
- 28—Basside reguleerimine +/-; 29—Helitugevus;
- 30—Juhuesitus sisse / väljalülitatud;
- 31—Reset; 32—Mälu;

Kõlarite ja toite ühendamine

1. Kõlarite ühendamiseks peaüksusega sisestage kõlarijuhtme otsas olev pistik peaüksuse korpuse tagapaneelil asuvasse kõlaripessa. Ühendage vasakpoolne kõlar L tähega ja parempoolne kõlar R tähega märgistatud pessa.
2. Kontrollige, et toiteallikas vastaks vastavalt peaüksuse tagaküljel olevatele nimipinge spetsifikatsioonidele. Kui ei vasta, võtke ühendust müüja või teeninduskeskusega.
3. Ühendage peaüksuse toitejuhe seinakontakti, pärast toite sisselülitamist süttib ekraan ja kuvab ajaformaadi.
4. Kui süsteemi pikema aja jooksul ei kasutata - ühendage voolu täielikult katkestamiseks toitejuhtmed lahti.

Kaugjuhtimispuldi patarei paigaldamine

Avage patareikambri kate ja sisestage 2 AAA patarei (komplektis); veenduge, et patarei polaarsus oleks kambris graveeritud pluss ja miinus sümbolitega kooskõlas. Seejärel sulgege patareikambri kate.



Märkused:

- a. Kaugjuhtimispuldi tööulatus on puldi ja peaüksuse vaheliste tõkete puudumisel 7 meetrit. Töötamise ajal tuleb pult suunata kuvari vasakus nurgas paikneva anduri suunas.
- b. Kaugjuhtimispuldi tundlikkus hakkab patarei tühjaks laadimisega vähenema. Puldi õigesti töötamiseks vahetage see uue vastu välja.
- c. Puldi pikemat aega mitte kasutamise korral palun patarei välja võtta.
- d. Patarei tuleb ära visata keskkonnasõbralikul viisi. Palun tutvuda utiliseerimist puudutavate kohalike võimude nõuetega.

Üldine teenindamine

1. **Toite sisse / välja lülitamine ja valmisoleku režiim:** Kuvar süttib pärast seadme edukat ühendamist vahelduvvoolu toite allikaga; toite täielikuks väljalülitamiseks võtke AC pistik välja. Valmisoleku sisse- ja väljalülitamiseks vajutage esipaneelil või puldil paiknevat toitenuppu.
2. **Vaigistamine:** heli vaigistamiseks vajutage puldil nuppu MUTE; esitamise taastamiseks vajutage nuppu uuesti. Mängimise võite taastada ka helitugevuse nuppu +/- vajutades.
3. **Esitamise režiim:** esitamise režiimi CD / USB / FM / AUX IN / Bluetooth / HDMI / Optiline sisendvahel ümberlülitamiseks vajutage korduvalt nuppu SOURCE. CD ja USB esitamise režiimi ümberlülitamiseks vajutage puldil nuppu CD / USB. Nende samade funktsioonide saavutamiseks vajutage esipaneelil allika valiku nuppu.
4. **Helitugevuse reguleerimine:** väljundheli tugevuse suurendamiseks või vähendamiseks vajutage puldil nuppu VOL +/- või keerake esipaneelil pöörnuppu.
5. **Heli korrektor:** ekvalaiser režiimi ümberlülitamiseks Music-Game-News-Movie vahel, vajutage nuppu EQ.
6. **Madalate ja kõrgete toonide reguleerimine:** Väljundheli kõrgete ja madalate toonide määramiseks vajuta kaugjuhtimispuldil lühidalt soprani +/- või bassi +/- reguleerimise nuppu..
7. **Numbrilised nupud 0 ~ 9 ja nupp 10+:** Sisestage asjakohased numbrid ja vajutage kinnitamiseks oota veidi ja seejärel esitab seade valitud numbriga heliraja. Juhul kui on tegemist helikandjaga, millele on salvestatud enam kui 10 muusikapala, võimaldab nupu 10+ vajutamine järgmised 10 vahele jätta; See funktsioon on saadaval CD ja USB mängimise režiimis.
8. **Mängimine, paus ja peatamine:** Mängimise peatamiseks ja taaskäivitamiseks vajutage CD / USB / Bluetooth režiimis nuppu esitamise / paus; CD ja USB režiimis vajutage mängimise peatamiseks peatamise nuppu ja muusika taaskäivitamiseks mängimise nuppu.
9. **Eelmine ja järgmine, edasi- ja tagasikerimine:** nupu eelmine / järgmine lühike vajutus põhjustab ülemineku eelmise või järgmise muusikapala esitamisele; Jooksva muusikapala kiireks edasi- või tagasikerimiseks vajutage ja hoidke nuppu edasi / tagasi kaugjuhtimispuldil, normaalse esitamise taastamiseks vabastage nuppu.
10. **Esituse kordus:** Ühe muusikapala, korda kausta, terve helikandja sisu kordamiseks või korduse väljalülitamiseks vajutage CD ja USB režiimis korduvalt kordamise nuppu;
11. **Juhesitus:** juhesisituse sisse- või väljalülitamiseks vajutage juhesisituse nuppu.
12. **CD plaadi sisestamine:** Vajutage CD salve avamiseks selle katte avamise nuppu ja sisestage seejärel CD plaat. CD katte sulgemiseks vajutage nuppu uuesti.
13. **Valjus:** helivärvi võimendamiseks vajutage nuppu lühidalt.
14. **Kõrvklapid:** Ühendage kõrvklapid esipaneelil asuvasse kõrvklappide pesaga, pärast kõrvklappide ühendamist vaigistatakse kõlaritest kostev heli ja see on saadaval ainult kõrvklappidest. Reguleerige helitugevust.
15. **Korda muusikapala määratletud osa esitust:** vajuta CD / USB režiimis muusikapala osa alguspunkti valimiseks kaugjuhtimispuldil lühidalt nuppu A-B, vajuta lõpp-punkti valimiseks nuppu uuesti; siis kordab seade muusikapala määratletud osa kuni tühistamiseks ja normaalsele mängimisele tagasipöördumiseks nupu A-B uuesti vajutamiseni.

16. Süsteemi lähtestamine: tõmmake CD režiimis välja CD salv (ilma sulgemiseta), vajutage ja hoidke kuvaril „reset” kuvamiseks lähtestamise nuppu 3 sekundit ning süsteem lähtestatakse.

CD plaadi mängimine

Käesoleval mudelil on CD / CD-R-RW plaatide ja MP3 / WMA (DVD plaate ei esitata) audioformaadides salvestatud muusikafailide mängimise funktsioon. Enne CD plaadi mängimise alustamist tuleb kontrollida, et CD plaadil ei oleks mingeid mustusetäpikesi või kriimustusi, vastasel juhul võib seade CD plaati mitte lugeda või esitusega kaasnevad soovimatud helid.

1. CD mängimiseks vajutage korduvalt allika valiku nuppu või puldil paiknevat nuppu CD / USB.
2. CD salve katte avamiseks vajutage katte avamise nuppu ja sisestage CD plaat; sulgege CD salve kaas. Seade hakkab automaatselt CD plaati lugema ja mängima.
3. Looge oma isiklik esitusloend (CD plaatidele 20 heliraja ja WMA / MP3 plaatidele kuni 99 heliraja programmeerimise võimalus)
 - a. Loendi koostamise alustamiseks vajutage CD mängimise režiimis kõigepealt nuppu stopp ja seejärel programmeerimise nuppu.
 - b. Kuvarile ilmub kiri, „XXX PXX”, programmeerimiseks soovitud muusikapala valimiseks vajutage nuppu eelmine / järgmine või numbrilist nuppu ja seejärel kinnitamiseks programmeerimise nuppu.
 - c. Seejärel näitab kuvar programmeeritud helirada ja liigub järgmise heliraja seadistamisele. Näiteks "006 P01" tähendab, et helirada 6 on programmeeritud helirajana number 01.
 - d. Ülejäanud heliradade määramiseks korrake ülaltoodud samme b ja c kuni kuvarile ilmub teade "FULL".
 - e. Seejärel vajutage programmeeritud loendi mängimiseks esitamise nuppu.
 - f. Programmeeritud esitusloendi tühistamiseks ja kustutamiseks vajutage peatamise nuppu kaks korda uuesti või võtke CD plaat välja.
4. CD mängimise käigus on saadaval funktsioonid: kordamine ja paus, stopp, vaigistamine, juhukordus, muusikapala valik, EQ funktsioon, edasi- ja tagasikerimine, kiire valimine numbriliste nuppude abil jne. Palume tutvuda käesolevas juhendis sisalduva üldteeninduse osaga.

FM raadio teenindamine

Enne FM raadio kuulamise alustamist tuleb palun ühendada kaasasolev FM antenn tagapaneelil paikneva FM pesaga, parema vastuvõtu saavutamiseks, akna läheduses.

1. **Raadiojaamade automaatne skaneerimine ja programmeerimine:** FM raadio režiimi üleminekuks vajutage korduvalt allika nuppu; saadaolevate raadiojaamade skaneerimiseks ja salvestamiseks vajutage lühidalt FM sageduste skaneerimise või esitamise / paus nuppu (2 sekundit). Seade võib salvestada (maks) 40 jaama. Programmeeritud jaama valimiseks vajutage puldil lühidalt või vajuta nuppu kanal +/- või kaugjuhtimispuldil numbrilist nuppu.
2. **Käitsi häälestamine või automaatne skaneerimine:** sageduse suurendamiseks või vähendamiseks 0,1 MHz võrra vajutage lühidalt nuppu FF +/-; riba pidi üles või alla saadaoleva FM jaama automaatseks skaneerimiseks vajutage ja hoidke 2 sekundit FF +/- või esipaneelil eelmine / järgmine nuppu, seejärel skaneerimine peatub ja saadaolevat jaama mängitakse automaatselt.
3. **Jaamade käitsi programmeerimine:** peale käitsi häälestatud või automaatselt skaneeritud lemmikjaama seadistust vajutage kõigepealt puldil mälu nuppu, jaama mälu numbrilise arvud hakkavad kuvaril vilkuma, numbrilise mälu alalidutud jaama salvestada. Muu jaama salvestamiseks korrake toimingut.
4. **Liigu konkreetsele sagedusele:** kõigepealt vajuta kaugjuhtimispuldil nuppu GOTO, seejärel sisesta numbriliste nuppude abil FM jaama konkreetne sagedus nagu 1-0-4-3 ja liigu selle esitamisele.

USB teenindamine

Tootel on USB esitamise funktsioon, mis võimaldab dekodeerida ja mängida eemaldatavalt USB kandjatelt muusikat. Enne toimingute alustamist tuleb MP3 / WMA formaadis muusika kopeerida USB mällu. USB mälu maksimaalne teenindatav maht võib olla kuni 32 GB.

1. Enne USB-lt mängimise käivitamist veenduge, et USB mälu oleks USB pordiga õigesti ühendatud. Vajutades allika valiku või puldil CD / USB nuppu minge järgnevalt üle USB mängimise režiimi. Seejärel hakkab seade dekodeerima ja käivitab mõne sekundi möödudes muusika mängimise.
 2. USB režiimis on saadaval järgnevad funktsioonid: esitamine ja paus, peatamine, vaigistamine, kordus, heli korrektor, edasi- ja tagasikerimine jne. Palume tutvuda käesolevas juhendis sisalduva üldteeninduse osaga.
- Märkused:
- a. USB mälu ühendamine USB pikendusjuhtme abil ei ole soovitatav, sest seoses andmekauga ülekande käigus võib see põhjustada müra või katkendlikku heli.
 - b. Kõikide MP3 / WMA failide dekodeerimine ja esitamine ei ole garanteeritud.
 - c. USB andmekandjate maksimaalne maht on 32 GB.
 - d. Mõningate USB kandjate dekodeerimine ja esitamine võib kesta veidi kauem; Tuleb juhtida tähelepanu, et see ei ole viga.

Bluetooth teenindus

Antud tootel on Bluetooth funktsioon, tänu millele võib teisel Bluetooth seadmelt juhtmevabalt muusikat esitada.

1. Bluetooth režiimi üleminekuks vajutage korduvalt allika valiku nuppu, kuvarile ilmub teade "BLUE-T". Lülitage välisel seadmelt sisse Bluetooth funktsioon ja alustage saadaolevate Bluetooth seadmete otsingut (tuvutuge välise seadme teenindusjuhendiga) ning kontrollige seejärel paarimiseks valmis Bluetooth seadmete loendit.
2. Valige paarimiseks „BP MS30.2BT”; pärast Bluetooth seadmega edukat ühendamist lõpetab teade BLUE-T kuvaril vilkumise.
3. Valige ja mängige muusika välisest Bluetooth seadmest ja järgnevalt esitatakse heli käesoleva seadme kõlarite abil.
4. Esitamise ajal eelneva või järgneva heliraja valimiseks vajutage nuppu eelmine / järgmine.
5. Bluetooth režiimis on saadaval järgnevad funktsioonid: esitamine / paus, vaigistamine, heli korrektor jne. Palume tutvuda käesolevas juhendis sisalduva üldteeninduse osaga.
6. Esipaneelil oleva taasesituse/pausi nupu pikaajaline (3 sekundit) vajutus võib katkestada sidumise praeguse Bluetooth-seadmega.

Märkus:

- a. Seoses erinevate konstruktsioonide ja tootjatega, kõikide Bluetooth seadmetega korraldada paarmist ei tagata.
- b. Bluetooth toimekaugus on seadmete vahel tõkete puudumise korral 10 meetrit.
- c. Seadme võib paardida ja töötab ainult ühe Bluetooth seadmega.
- d. Enne teise seadmega paarmist katkestage jooksev Bluetooth paarmine, vastasel juhul "BP MS30.2BT" paarmiseks valmis seadmete loendis ei ilmu.

Digitaalsisendite tugi

Käesoleval mudelil on digitaalsed optilised ja HDMI(ARC) sisendid, mis võimaldavad seda heli esitamiseks teleri või muude ühilduvate väliste seadmetega ühendada.

Optiline sisend: Ühendage teleri või muu seadme väljundport optilise kaabliga (ei ole kaasas) käesoleva mudeli sisseehitatud optilise sisendiga. Optilise sisendi režiimi minemiseks vajutage mitu korda allika valimise nuppu. Kontrollige ja reguleerige nii käesoleva seadme kui teleri või muu välise seadme helitugevus, valige ning avage soovitud sisu ja seejärel esitatakse heli käesoleva abil.

HDMI(ARC) sisend: See mudel toetab HDMI ARC (audio tagasikanal) liidest; Teleri HDMI ARC standardile vastamisel (üksikasjaliku teabe saamiseks tutvuge teleri tehniliste andmetega) on käesoleva mudeli kõlarite abil võimalik esitada teleri heli. Ühendage käesolev seade HDMI kaabli (ei ole kaasas) abil teleriga, vajutage HDMI-režiimi minemiseks käesoleval mudelil mitu korda allika valimise nuppu, või lülitub allikas pärast edukat ühendamist ja teleri sisselülitamist automaatselt HDMI-režiimi. Reguleerige helitugevus, valige ja avage teleris sisu, seejärel esitatakse valitud programmi heli käesoleva seadme kõlarite abil.

Tähelepanu!

- a. Digitaalse sisendi režiimis (optiline ja HDMI ARC) signaali esitamisel tuleb teleri või välise seadme heliväljund seadistada kui „PCM stereo“ või „stereo 2.0“ (üksikasjad teleri või välise seadme kasutusjuhendis), vastasel juhul see seade heli ei esita.
- b. Veenduge, et teie teler toetab HDMI ARC ühendust. Teleril võib olla mitu HDMI-porti, seega kontrollige ja ühendage HDMI ARC väljundport õigesti, tavaliselt on pordi kõrval teave, milline port HDMI ARC toetab (palun vaadake teleri kasutusjuhendit või selle spetsifikatsioone).
- c. HDMI-kaabli valimisel ja ostmisel veenduge, et kaabel toetab HDMI V1.3 ning kõrgemat standardit ja on 19-sooneline.
- d. Heli puudumisel või kui väljundsignaal on katkendlik, kontrollige hoolikalt ülaltoodud märkusi ning veenduge, et mikrofoni ja teise seadme vaheline ühendus oleks õige.
- e. Digitaalselt sisendi heli esitamise režiimis on helitugevuse reguleerimine/ekvalaiser seadistamine/vaigistamise funktsioon jne saadaval kaugjuhtimispuldil kasutusel.

Režiimi LINE IN teenindamine (AUX IN)

Teiselt mängijalt või muust allikast muusika ühendamiseks ja esitamiseks sooritage alltoodud sammud:

1. Ühendage kaasasolev audiokaabel (3,5mm 3,5mm stereo) peaseadme tagapaneelil paikneva AUX IN (tüüp 3,5mm stereo) eesmine paneelil ja teine stereoühendus 3,5 mm välise mängija liiniväljundi või kuularipesaga. Vajutades allika nuppu valige AUX IN režiim.
2. Mängige muusika välisel mängijal ja heli hakatakse esitama käesoleva seadme kõlarite abil.
3. AUX IN esitamise režiimis asub peamine reguleerimine välisel seadmel. Käesolevas seadmes võib reguleerida tugevust, EQ korrektorit ja vaigistada heli.

Kella ja alarmi seadistused (äratuse taasesitamise ja autoesitamise)

Seadmel on kell ja helin, mis võimaldab seadme kasutamist äratuskellana, seade alustab muusika mängimist automaatselt eelnevalt seadistatud kellaajal.

1. Kella seadistamine: kella seadistamiseks vajuta seadme puhkeolekul ja hoiu paar sekundit all kaugjuhtimispuldil olevat nuppu "LOCK", kella näidik hakkab displeil vilkuma; kellaaja 12/24 kuvamise vormingu valikuks vajuta nupp kanal + / - , valiku kinnitamiseks vajuta kaugjuhtimispuldil olevat nuppu "CLOCK"; seejärel hakkavad displeil vilkuma tundide numbrid, tundide valikuks vajuta nupp kanal + / - , valiku kinnitamiseks vajuta uuesti kaugjuhtimispuldil olevat nuppu "CLOCK"; seejärel hakkavad vilkuma displeil minuti numbrid, minutite valikuks vajuta nupp kanal + / - , valiku kinnitamiseks ja kella seadistamise lõpetamiseks vajuta kaugjuhtimispuldil olevat nuppu "CLOCK".

2. Äratuse seadistamine: kella töörežiimil vajuta ja hoiu heline seadistamiseks paar sekundit kaugjuhtimispuldil all nuppu "ALARM", tundide numbrid hakkavad displeil vilkuma; seejärel ilmub ekraanile alarmi kellaaeg; vajutage soovitud alarmi aja seadistamiseks kanalivahetuse nuppu + / - ja vajutage seejärel valiku kinnitamiseks kellanuppu; nüüd liikuge ülejäänud parameetrite seadistamise juurde: minutid/alarmi allikas (FM/CD/USB)/alarmi helitugevus, mis on alarmi aja seadistamisega sarnane toiming. Valiku kinnitamiseks ja lõpetamiseks vajutage uuesti alarmi nuppu.

Märkus:

- a. Kella ja äratuse seadistused on võimalikud ainult siis, kui seade on ühendatud toitevõrku. Pärast igakordset voolukatkestust tuleb kell ja äratuse uuesti seadistada.
- b. Pärast alarmi aja õiget määramist ilmub kuvarile alarmi ikoon. Lühike "ALARM" nupule vajutamine ooterežiimil lülitab äratuse välja, uus nupule "ALARM" vajutamine põhjustab äratuse sisse lülitamist.
- c. Kui äratuse käivitub, lülitab seade automaatselt sisse taasesituse (CD/FM raadio/USB), alarmi väljalülitamiseks vajutage toitenuppu.

Probleemide lahendamine

1. Seadet ei saa sisse lülitada.

- a. Kontrollige, kas võrgutoite juhe on seinakontaktiga korralikult ühendatud.
- b. Probleemi esinemise korral võtke ühendust teeninduskeskusega.

2. Puudub heli.

- a. Proovige reguleerida helitugevust.
- b. Kontrollige, kas valitud esitamise režiim on õige.
- c. Probleemide korral tuleb ühendust võtta teeninduskeskusega.

3. CD plaati ei saa mängida.

- a. Proovi plaat asendada ja mängida muud CD / CD-R-RW / MP3 / WMA formaadis muusikaga CD plaati.
- b. Proovige CD plaat puhastada.
- c. Probleemide korral tuleb ühendust võtta teeninduskeskusega.

4. Müra FM režiimis.

- a. Tõmmake FM antenn täies ulatuses välja, proovige antenni suunda kohandada.
- b. Viige üksus akna lähedale.
- c. Valige muu sagedus.

5. Katkendlik heli Bluetooth mängimise ajal.

- a. Proovige viia Bluetooth seade käesolevale seadmele lähemale.
- b. Proovige Bluetooth funktsioon välises seadmes välja lülitada ja lülitage see uuesti sisse.

6. Kaugjuhtimispult ei tööta korralikult.

- a. Suunake pult kuvarist vasakul pool paiknevale andurile.
- b. Vahetage patarei, seoses madala laetuse tasemega, välja.

Spetsifikatsioon

Toiteallikas: AC 110-240 V, 50/60 Hz

Ühilduvus CD-ga: CD / CD-R-RW / MP3 / WMA

FM sagedus: 87,5-108,0 MHz

USB parameetrid: 5 V, 500 mA, versioon 2.0, teenindatavad seadmed kuni 32 GB

Bluetooth: 5.0, töökaugus kuni 10 meetrit.

HDMI ARC V2.0 sisend, 1 x optiline sisend.

RMS väljundvõimsus: 2 x 25 W

Energiakulu: 60W total

Võimsustarbimine tööks valmisoleku režiimis: <0,5W

(Tähelepanu: ülaltoodud spetsifikatsioon võib ilma eelneva hoiatamiseta muudatustele alluda.)

SVARBIOS SAUGOS INSTRUKCIJOS



ELEKTROS SMŪGIO GRĖSMĖ
DRAUDŽIAMA ATIDARYTI

Įspėjimas:

Kad sumažintumėte elektros smūgio riziką, draudžiama išmontuoti įrenginio dangtelį ar galinę dalį. Įrenginyje nėra komponentų skirtų vartotojui savarankiškai taisyti. Techninė priežiūra ir remontas aptarnaujami tik kvalifikuoto techninio personalo.

Grafinių simbolių paaiškinimas:

Zaibo simbolis užbaigtas rodykle lygiakraščiame trikampyje įspėja vartotoją apie neizoliuotą "pavojingą įtampą" esančią įrenginio korpusė, kuri gali pasiekti dydį sukeltantį elektros smūgio pavojų.



Šauktuko ženklas lygiakraščiame trikampyje įspėja vartotoją, kad šiame punkte pateikiama svarbi informacija apie įrangos veikimą ir techninę priežiūrą dokumentuose pateikiamuose su įrenginiu.

Prašome perskaityti šias instrukcijas prieš pradėdami įrenginio naudojimą, kad susipažinti su jo funkcijomis ir naudoti jį taip, kaip numatyta. Tai užtikrins ilgalaikį įrenginio veikimą be gedimų ir jo naudojimo malonumą.

Svarbi informacija

- Privaloma išsaugoti šias naudojimo instrukcijas ir saugos informaciją būsimam naudojimui.
- Neleiskite skysčiams lašėti ar išsilieti ant įrenginio.
- Draudžiama taip pat naudoti jį drėgnose vietose, pvz. vonios kambaryje.
- Draudžiama įrengti šį įrenginį tokiose vietose:
- Vietos neapsaugotos nuo tiesioginių saulės spindulių ar šalia radiatorių.
- Dėti jį ant viršaus kitos stereofoninės įrangos, kuri išleidžia šilumą.
- Blokuojant ventiliaciją arba dulkėtoje vietoje.
- Vietose, kuriose vyksta nuolatinė vibracija.
- Vietose, kur yra didelė drėgmė.
- Draudžiama dėti įrenginį arti žvakių ar atviros liepsnos.
- Įrenginys gali būti naudojamas tik šiame vadove aprašytu būdu.
- Prieš įjungdami maitinimą pirmą kartą, įsitikinkite, kad srovės adapteris yra tinkamai prijungtas.
- USB atmintinė jungiami tiesiogiai arba su USB pratęsimo laidu iki 25 cm ilgio.

Dėl saugumo priežasčių, draudžiamas gaubūtų išmontavimas bei įrenginio vidaus atskleidimas. Įrenginio remontas turėtų būti aptarnaujamas kvalifikuoto techninio personalo.

Draudžiama ardyti įrenginį bei atidarinėti jo korpusą, nes jo viduje nėra jokių dalių, kurias galėtų naudotojas pataisyti. Techninė priežiūra ir remontas aptarnaujami tik kvalifikuoto techninio personalo.

SAUGOS INSTRUKCIJOS

1. Perskaitykite instrukcijas – prieš naudodami įrenginį perskaitykite visą naudojimo instrukciją ir saugos informaciją.
2. Išsaugokite instrukcijas – privaloma išsaugoti naudojimo ir valdymo instrukcijas būsimam naudojimui.
3. Laikykitės įspėjimų – privaloma laikytis visų prietaiso įspėjimų pateiktų ant įrenginio ir vadovautis naudojimo instrukcijomis.
4. Laikykitės instrukcijų – privaloma vadovautis naudojimo instrukcijomis bei nurodymais vartotojų.
5. Diegimas – nustatykite įrenginį pagal gamintojo instrukcijas.
6. Maitinimo šaltiniai – įrenginys turi būti maitinamas tik iš šaltinių, kurių parametrai nurodyti maitinimo laido žymenyse. Jei vartotojas nėra tikras, kokios energijos tipą turi namuose, turėtų susisiekti su savo įrenginio platintoju arba vietiniu elektros energijos tiekėju.
7. Maitinimo šaltinio įžeminimas arba polarizacija – įrenginys neturi būti įžemintas. Privaloma įsitikinti, kad kištukas yra visiškai įdėtas į elektros tinklo lizdą arba pratęsimo laidą, kad išvengtų kaiščių ar kontaktų ekspozicijos. Kai kuriose įrenginio versijose gali būti polarizuotas kintamosios srovės maitinimo kaiščių (su vienu platesniu kaiščiu). Šis kištukas gali būti įjungtas į elektros tinklo lizdą tik vienu būdu. Tai apsaugos funkcija. Jei negalite įkišti kištuko į lizdą, pabandykite jį apsukti. Jei kištukas vis dar netelpa į lizdą, elektrikas turėtų jį pakeisti. Draudžiama nuimti apsaugos priemonės nuo polarizuoto kištuko. Jeigu naudojamas pratęsimo laidas ar maitinimo laidas kitokie nei pateikti kartu su įrenginiu, jie turėtų turėti tinkamus kištukus ir saugos sertifikatus reikalaujamus tam tikroje šalyje.
8. Maitinimo laido apsaugos priemonės – maitinimo kabeliai turi būti nuvesti taip, kad po juos negalėtų vaikščioti, jų prispausti ar prikirsti padėtais objektais. Atkreipkite ypatingą dėmesį į kištukus, maitinimo lizdus ir vietas, kuriose laidai išvesti iš įrenginio.
9. Perkrovimas – draudžiama perkrauti sieninius lizdus, pratęsimo laidus ir elektros skirstytuvus, nes tai gali sukelti gaisrą arba elektros smūgį.
10. Vėdinimas – įrenginys turi būti tinkamai vėdinamas. Draudžiama dėti įrenginį ant lovos, sofos ar ant panašių paviršių. Draudžiama pridengti įrenginį staltiesėmis, servetėlėmis, laikraščiais ir pan.
11. Šiluma – nedėkite įrenginio arti šilumos šaltinių, tokių kaip šildytuvai, radiatoriai, krosnys ar kiti prietaisai (įskaitant stipriklus), kurie gamina šilumą. Nedėkite ant įrenginio uždegtų žvakių ar kitokių atviros ugnies šaltinių.
12. Vanduo ir drėgmė – norėdami sumažinti gaisro ar elektros smūgio pavojų, saugokite įrenginį nuo tiesioginio lietaus, vandens ir drėgmės poveikio, tokio kaip pvz. saunoje ar vonioje. Nenaudokite šio įrenginio šalia vandens, pavyzdžiui, prie vonios, kriauklės, virtuvės ar kubelio, šlapiame rūsyje arba prie baseino (ar panašiose vietose).
13. Objektai ir skysčiai įrenginyje – draudžiama kišti bet kokius daiktus per įrenginio angas, nes jie gali liestis su pavojingomis įtampomis taškais ir komponentais, dėl ko gali kilti gaisras arba įvykti elektros smūgis. Griežtai draudžiama išpilti bet kokius skysčius ant įrenginio paviršiaus. Draudžiama dėti ant įrenginio viršaus objektus, kuriuose yra skysčių.

14. Valymas – prieš valydami visada išjunkite įrenginį iš elektros tinklo lizdo. Dulkes aplink garsiakalbį galima nuvalyti sausu skudurėliu. Jei valymui naudojamas aerosolis, nepartartina kreipti purškimo srauto tiesiai į prietaisą, bet ant skudurėlio. Būkite atsargūs, kad nesugadintumėte pavaro šaltinį.
15. Papildoma įranga – draudžiama naudoti priedus, kurie nėra patvirtinti gamintojo, nes jie gali kelti pavojų.
16. Priedai – draudžiama statyti įrenginį ant nestabilius vežimėlio, stovo, trikojo, atramos ar stalo. Prietaisas gali apsversti ir susigadinti, bei sunkiai sužeisti vaiką ar suaugusį asmenį. Privaloma naudoti tik gamintojo nurodytus vežimėlius, stovus, trikojus, atramas ar stalus arba paruošdamos kartu su įrenginiu. Įrenginio surinkimą privaloma atlikti pagal gamintojo instrukcijas naudodami gamintojo rekomenduojamą surinkimo komplektą.
17. Prietaiso perkėlimas – ant vežimėlio padėti įrenginį būtina stumti labai atsargiai. Staigus stabdymas, per didelė jėga arba netolygūs paviršiai gali sukelti vežimėlio išsivertimą kartu su įrenginiu.
18. Įrenginio nenaudojimo laikas – atjunkite maitinimo laidą nuo elektros lizdo audros su žaibais metu arba jeigu įrenginys nebus naudojamas ilgą laiką.
19. Techninis aptarnavimas – draudžiama savarankiškai bandyti asmeniškai naršyti įrenginį. Dangčio atidarymas gali sukelti kontaktą su pavojinga įtampa ir sukelti vartotojui kitus pavojus. Techninė priežiūra ir remontas aptarnaujami tik kvalifikuoto techninio personalo.
20. Kai įrenginys nenaudojamas, atjunkite jo maitinimo kištuką nuo elektros lizdo. Kai prietaisas prijungtas prie maitinimo šaltinio, jis veikia budėjimo režime ir nėra visiškai išjungtas.
21. Atsarginės dalys – keičiant dalis, įsitikinkite, kad techninės priežiūros darbuotojas panaudojo gamintojo rekomenduotas atsargines dalis arba kad dalys yra identiškos originalioms dalims. Nepatvirtintų dalių panaudojimas sukelia gaisro, elektros smūgio pavojų ar kitus pavojus.
22. Pagrindiniai saugikliai – kad prietaisas būtų nuolat apsaugotas nuo gaisro, naudokite tinkamo tipo ir parametrų saugiklius. Saugiklių parametrai tam tikrame įtamos diapazone yra pažymėti ant įrenginio.
23. Draudžiama didinti garsumą klausydami nedidelio garsumo kūrinių dalies arba nesant įvesties audio signalui. Kitaip garsiakalbis gali sugesti jei signalo stiprumas sparčiai padidėja.
24. Vienintelis būdas visiškai atjungti įrenginį nuo maitinimo šaltinio tai ištraukti maitinimo laidą iš elektros srovės lizdo arba iš įrenginio. Naudojant įrenginį, visada turi būti prieinamas elektros tinklo lizdas arba maitinimo laido įėjimas į įrenginį.
25. Įrenginys turi būti dedamas šalia maitinimo tinklo lizdo arba pratęsimo laido taip, kad jis visada būtų prieinamas.
26. Didžiausia įrenginio aplinkos temperatūra tai 35°C.
27. Patarimai dėl elektrostatinių iškrovų - jei prietaiso veiksmingumas yra veikiamas elektrostatinių iškrovimų, išjunkite jį ir vėl įjunkite arba perkelkite įrenginį į kitą vietą.
28. Baterija
 - a. Baterijos negali būti veikiamos per didelės temperatūros, pavyzdžiui, saulės spindulių, ugnies ir t.
 - b. Išmesdami baterijas, atkreipkite dėmesį į aplinkosaugos aspektus.
 - c. Įspėjimas dėl baterijų naudojimo: norėdami išvengti baterijų nutekėjimo, dėl kurio galite sužaloti savo kūną ar sugadinti įrenginį:
 - Įdėdami bateriją atkreipkite dėmesį į jos poliarizaciją (+ ir -).
 - Nenaudokite skirtingų baterijų tuo pačiu laiku - senų ir naujų, standartinių ir šarminių baterijų ir kt.
 - Ilgesnį laiką nesinaudojant įrenginiu, išimkite iš jo baterijas.

ĮSPĖJIMAS

Įrenginiu neturėtų naudotis asmenys (įskaitant vaikus), turintys mažesnes fizines, juslines ar psichines galimybes, ir asmenys, neturintys pakankamai žinių ir patirties, jei jie nėra prižiūrimi asmenų atsakingų už jų saugą, ir nebuvo jiems nurodyta, kaip saugiai naudoti įrenginį. Suaugusių asmenų buvimas reikalingas, jei vaikai naudoja prietaisą; tai užtikrins saugų įrenginio naudojimą.

1. Niekada nepalikite veikiančio įrenginio be priežiūros. Išjunkite prietaisą, kai jis nenaudojamas, net trumpą laiką.
2. Prietaiso negalima valdyti per išorinį laikrodį su sinchronizavimo grandinėmis arba per atskirą nuotolinio valdymo sistemą.
3. Norėdami išvengti pavojaus maitinimo laido sužalojimo atveju, jį pakeisti turėtų gamintojas, įgaliotas aptarnavimo centras ar kitas kvalifikuotas asmuo.
4. Prieš pradėdami įrenginio naudojimą patikrinkite, ar jo įtampa atitinka vietos maitinimo įtampą.
5. Draudžiama uždengti prietaiso ventiliacijos angas, pvz. laikraščiais, staltiese, užuolaidomis ir pan. Įsitikinkite, kad virš įrenginio yra ne mažiau kaip 20 cm laisvos vietos ir bent 5 cm iš kiekvienos jo pusės.
6. Neleiskite, kad ant įrenginio nutekėtų ar išsilietų skystis, be to, nedėkite ant jo pripildytų skysčiais objektų, tokių kaip vazos.
7. Norėdami išvengti gaisro ar elektros smūgio, apsaugokite prietaisą nuo karštų vietų, lietaus, drėgmės ir dulkių poveikio.
8. Draudžiama statyti įrenginį arti bent kokių vandens šaltinių, pvz. čiupų, vonių, skalbimo mašinų ar plaukiojimo baseinų. Įrenginį dėkite ant lygaus ir stabilaus paviršiaus.
9. Saugokite įrenginį nuo stipraus magnetinio lauko.
10. Draudžiama statyti įrenginį tiesiai ant stiptintuvo ar AV imtuvo.
11. Draudžiama statyti įrenginį drėgnoje vietoje, nes drėgmė neigiamai veikia elektrinius komponentus.
12. Kai įrenginys atnešamas iš šaltos į šiltą vietą arba į drėgną vietą, ant objektyvo, esančio grotuvo viduje, gali įvykti drėgmės kondensacija. Tokiu atveju įrenginys dirbs netinkamai. Palikite įrenginį maždaug vienai valandai, kad drėgmė išgaruotų.
13. Draudžiama valyti įrenginį cheminiais tirpikliais, nes jie gali pažeisti dengiamąjį laką. Prietaisą valykite švariu, sausu arba šiek tiek drėgnu skudurėliu.
14. Ištraukdami kištuką iš sieninio lizdo, visada traukite už kištuko, niekadus už maitinimo laido.
15. Jeigu įjungtas įrenginys naudojamas šalia įjungto televizoriaus, jis gali sukelti vaizdo iškraipymą linijos ekrane pavidalu. Tai priklauso nuo TV transliacijos bangų juostos. Tai nereiškia, kad įrenginys arba televizorius yra sutrikę. Jei matote tokias linijas, atitolinkite įrenginį nuo televizoriaus.
16. Maitinimo kištukas naudojamas maitinimo įtampai atjungimui ir visada turėtų būti prieinamas.
17. Nirendami skirtą kompaktinį diską išimkite iš lazerio galvutę išlaikyti švarioje, draudžiama ją liesti ir būtina visada uždarinėti diskų dėklą.
18. Atkarū metu, diskas sukasi dideliu greičiu. DRAUDŽIAMA kelti ir stumdyti įrenginį atkūrimo metu, nes tai gali sugadinti diską arba patį įrenginį.
19. Prieš perkeldami įrenginį į kitą vietą arba perkėlimo laikui, išimkite diską ir uždarykite diskų dėklą. Po to išjunkite maitinimą ir atjunkite maitinimo kabelį. Įrenginio perkėlimas su disku dėkle gali sugadinti įrenginį.

20. Atkūrus diską įdėkite jį į pakuotę. Saugokite diskus nuo tiesioginių saulės spindulių ir šilumos šaltinių poveikio. Draudžiama palikti diskus automobilio stoviniči saulėje viduje.

21. Draudžiama liesti disko pusę be etiketės. Laikykite diskus už kraštų, kad nepaliktų pirštų atspaudų. Dulkės, pirštų atspaudai ar įbrėžimai diskuose gali būti netinkamo grotovo veikimo priežastis. Draudžiama lipdyti lapelius ar lipniąją juostą ant disko.

22. Disko valymui naudokite švarią šluostę be pūkelių. Pradėkite valymą tiesioginiu judėsiu nuo disko centro ties jo krašto, naudojant įprastas valymo priemones arba antistatinės priemonės skirtas vinilinėms plokštelėms.

23. Noredami išvengti galimo klausos praradimo, ilgai neklusykite garsios muzikos.



ĮSPĖJIMAS: SPINDULIAVIMO ŠALTINIS

CLASS 1 LASER PRODUCT
LUOKAN 1 LASERLAITE
KLASS 1 LASERAPPARAT

COMPACT
disc
DIGITAL AUDIO

Ši etiketė reiškia, kad įrenginys yra lazerio elementų. Atidarant CD plokštelės dėklo dangtelį ir aplenkiant apsauginį užraktą, vartotojui atsiras lazerio spinduliuojimas. Draudžiama žiūrėti į lazerio spindulį, kai įrenginys veikia.

PRIEŠ PRADEDANT DARBA

Pastabos: apie kompaktinius diskus.

Kadangi nešvarūs, pažeisti ar deformuoti diskai gali sugadinti įrenginį, atkreipkite dėmesį į šiuos elementus:

- Kompaktiniai diskai, kuriuos galite naudoti. Gali būti naudojami tik žemiau nurodytus diskus.
- CD diskai tikslai su skaitmeniniu audio garso įrašu.

DĖMESIO



Deklaracija

Šiuo Blaupunkt Competence Center 2N-Everpol Sp. z o.o. deklaruojama, kad šis įrenginys atitinka Direktyvos 2014/53 / ES reikalavimus ir kitas atitinkamas nuostatas. Visą atitiktą deklaraciją galite rasti interneto svetainėje www.blaupunkt.com gaminio skyriuje.

Atsakingas subjektas 2N-Everpol Sp. Z o.o.
Puławska 403A, 02-801 Warszawa, Polska
Telefonas: +48 22 688 08 00, e. paštas: info@everpol.pl



Produktas pagamintas iš aukštos kokybės medžiagų ir komponentų, kuriuos galima perdirbti ir pakartotinai naudoti.



Jei ant jūsų įrenginio yra perbrauktas šiukšlių dėžės ženklas su ratukais, tai reiškia, kad gaminiui taikomos Europos direktyvos 2012/19/ES nuostatos. Remdamiesi tuo, laikykitės vietinių taisyklių ir susipažinkite su vietinės elektros ir elektroninės atliekų surinkimo sistemos reikalavimais, o šio gaminio atveju jų laikykitės.

NEIŠMESTI ŠIO GAMINIO SU BUITINIŲ ATLIEKŪMIS!

ŠIAME GAMINĖJE YRA PAVOJINGŲ MEDŽIAGŲ, MIŠINIŲ IR KOMPONENTŲ, KURIE NETEISUS GALI BŪTI GALIMO POVEIKIO GAMTINAI APLINKAI IR ŽMONIŲ SVEIKATAI ŠALTINIS!

Tinkamai išmesdami panaudotą gaminį išvengsite neigiamo poveikio aplinkai ir žmonių sveikatai.



Šiame įrenginyje yra baterijos, kurioms taikoma Europos direktyva 2006/66/ES. Baterijas draudžiama išmesti kartu su buitinėmis atliekomis. Privaloma susipažinti su vietos atskirų medžiagų rinkimo reglamentus, nes dėl teisingo šalinimo bus išvengta galimų neigiamų pasekmių aplinkai ir žmonių sveikatai.

Informacija apie aplinkos apsaugą

Pakuotėje yra tik būtini elementai. Buvo imtasi visų pastangų, kad būtų galima lengvai atsikirti tris pakuotės sudedamąsias dalis: kartoną (dėžę), polistirolo putplastį (apsauginė dangą) ir polietileno (krepšelį, apsauginis lakštą). Prietaisas pagamintas iš medžiagų, kurios gali būti perdirbamos ir pakartotinai panaudotos, kai jas išmontoja specializuota įmonė. Privaloma laikytis vietinių pakavimo medžiagų, sunaudotų baterijų ir nereikalingų įrenginių šalinimo taisyklių. Medžiagų įrašymui ir atkūrimui gali reikėti sutikimo. Žr. autorių teisių ir atliekų/artistų teisių įstatymą.

Pastaba apie ERP2 (su energija susijusią įrangą)

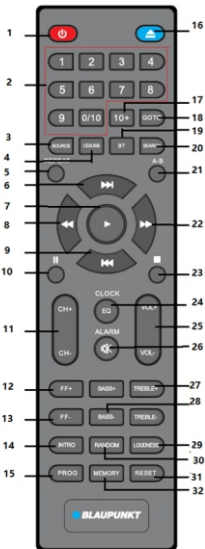
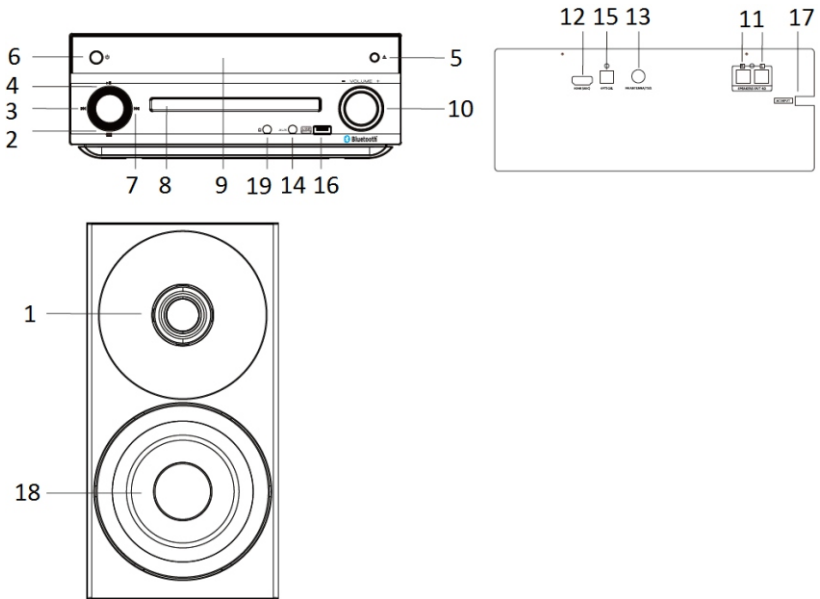
Šis ekologinio projektavimo įrenginys atitinka Komisijos reglamento (EB) Nr. 1275/2008, kuriuo įgyvendinama Direktyva 2009/125/EB dėl nenaudojamų ir budėjimo režimo elektroninių prietaisų energijos vartojimo biure ir buities reikmėms, 2 etapui.



Bluetooth® prekės ženklai ir logotipai priklauso įmonei Bluetooth SIG, Inc. JAV. Šių ženklų ir logotipų naudojimas pagal licenciją. Kiti prekių ženklai ir prekių pavadinimai priklauso atitinkamiems savininkams.

Dėkojame, kad įsigijote mūsų produktą, atidžiai perskaitykite šią instrukciją ir susipažinkite su ja prieš pradėdami naudoti įrenginį. Išsaugokite instrukciją ateičiai.

Valdymo elementų įrengimas



- 1 - aukštų dažnių kolonėlė; 2 - Šaltinio parinkimas; 3 - Mygtukas „ankstesnis“;
- 4 - „Atkūrimo/pauzės“ mygtukas; 5 - CD dėklo išstūmimo mygtukas;
- 6 - Budėjimo mygtukas; 7 - Mygtukas „sekantis“; 8 - CD dėklas;
- 9 - Ekranas; 10 - Garsumo reguliatorius; 11 - kolonėlių prijungimo lizdas (4 omų) ;
- 12 - HDMI(ARC) įvestis; 13 - FM 75 omų antenos lizdas;
- 14 - AUX IN lizdas; 15 - Optinė įvestis; 16- USB prievadas;
- 17- AC maitinimo lizdas; 18 — vidutinių žemų dažnių kolonėlė;
- 19 — ausinių išvestis;

Nuotolinio valdymo pultelis

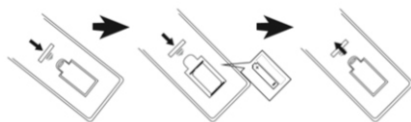
- 1—Maitinimo įjungimas/išjungimas; 2—Skaičių mygtukai; 3—Šaltinis;
- 4—CD/USB mygtukas;
- 5—Kartojimas (pakartoti visą, pakartoti vieną dainą, pakartoti aplanką, kartojimas išjungtas); 6—Sekantis; 7—Atkūrimas; 8—Greitas pasukimas atgal;
- 9—Ankstesnis; 10—Pristabdymas; 11—Kanalas +/-; 12—FM + dažnis;
- 13—FM - dažnis; 14—Intro funkcijos mygtukas; 15—Programavimas;
- 16—CD dėklo išstūmimas; 17—10+; 18—GOTO mygtukas;
- 19—Bluetooth; 20—FM dažnio paieška; 21—A-B kūrinių fragmento kartojimas;
- 22—Greitas pasukimas į priekį; 23—Stop;
- 24—Laikrodis/EQ(Music-Game-News-Movie) 25—Garsumas +/-;
- 26—Signalizacija/nutildymas; 27—Soprano koregavimas +/-;
- 28—Boso koregavimas +/-; 29—Garsumas;
- 30—Atsitiktinis atkūrimas įjungtas / išjungtas;
- 31—Reset; 32—Atmintis;

Kolonėlių ir maitinimo šaltinio prijungimas

1. Norėdami prijungti kolonėles prie pagrindinio įrenginio, įkiškite kištuką, kuriuo baigtas kolonėles kabelis, į kolonėles lizdą, esantį pagrindinio įrenginio korpuso galiniame skydelyje. Kairiąją kolonėlę prijunkite prie lizdo, pažymėto L, o dešiniąją - prie lizdo, pažymėto R.
2. Patikrinkite, ar maitinimo šaltinis atitinka vardinės įtampos specifikacijas, kurios yra atitinkamai ant pagrindinio įrenginio. Jei netinka, kreipkitės į savo pardavėją arba aptarnavimo centrą.
3. Pagrindinio įrenginio maitinimo laidą įjunkite į sieninį elektros lizdą; įjungus maitinimą, ekranas užsidegs ir rodydys laiko formatą.
4. Kai sistema nenaudojama ilgesnį laiką, atjunkite maitinimo laidus, kad visiškai nutrauktumėte maitinimą.

Nuotolinio valdymo pultelio baterijos įdėjimas

Atidarykite baterijos kameros dangtelį ir įdėkite 2 AAA bateriją (esančią komplekte); įsitinkinkite, kad baterijos poliškumas atitinka kameroje išgraviruotą teigiamą ir neigiamą simbolį. Po to uždarykite baterijos kameros dangtelį.



Pastabos:

- a. Nuotolinio valdymo pultelio darbinis atstumas tai 7 metrai be jokių kliūčių tarp nuotolinio valdymo pultelio ir pagrindinio įrenginio. Valdydami nuotolinio valdymo pultelį, nukreipkite jį į kairiajame displejaus kampe esantį jutiklį.
- b. Nuotolinio valdymo pultelio jautrumas sumažėja baterijai išsikraunant. Pakeiskite ją nauja, kad nuotolinio valdymo pultelis veiktų tinkamai.
- c. Išimkite bateriją, jei nenaudojate nuotolinio valdymo pultelio ilgą laiką.
- d. Baterijas utilizuokite aplinkai nekenksmingu būdu. Prašome susipažinti su vietos valdžios institucijų reikalavimais dėl utilizavimo.

Įrenginio naudojimas

- 1. Maitinimo įjungimas / išjungimas ir budėjimo režimas:** Ekranas užsidegs, kai prietaisas bus sėkmingai prijungtas prie kintamosios srovės maitinimo šaltinio; išimkite AC kištuką norėdami visiškai išjungti maitinimą. Paspauskite maitinimo mygtuką priekiniame skydelyje arba nuotolinio valdymo pultelyje norėdami įjungti ir išjungti budėjimo režimą.
- 2. Pritildymas:** paspauskite MUTE mygtuką nuotolinio valdymo pultelyje norėdami pritildyti garsą; norėdami tęsti atkūrimą, paspauskite jį dar kartą. Taip pat galite tęsti atkūrimą paspausdami +/- garsumo mygtuką.
- 3. Atkūrimo režimo pasirinkimas:** kelis kartus paspauskite SOURCE mygtuką norėdami perjungti atkūrimo režimą tarp CD / USB/FM / AUX IN / Bluetooth/HDMI/Optinė įvestis. Norėdami perjungti CD ir USB atkūrimo režimą paspauskite nuotolinio valdymo pultelyje CD / USB mygtuką. Paspauskite šaltinio pasirinkimo mygtuką priekiniame skyde, kad gautumėte tas pačias funkcijas.
- 4. Garsumo valdymas:** paspauskite nuotolinio valdymo pultelyje VOL +/- mygtuką arba pasukite garso reguliatorių priekiniame skydelyje norėdami padidinti arba sumažinti pradinį garsumą.
- 5. Garso ekvalaizeris:** paspauskite EQ mygtuką norėdami perjungti grojimo ekvalaizerio režimą tarp Music-Game-News-Movie.
- 6. Žemų ir aukštų tonų reguliavimas:** trumpai paspauskite soprano +/- arba boso +/- mygtuką nuotolinio valdymo pulte, norėdami nustatyti išvesties garso aukštus ir žemus tonus.
- 7. Skaitmeniniai mygtukai 0 ~ 9 ir mygtukas 10 +:** Įveskite reikiamus numerius ir paspauskite palaukite, kad patvirtintumėte, tada įrenginys atkurs pasirinktą takelio numerį. Paspaudus mygtuką 10 +, galite praleisti 10 sekantių takelių, kai laikmenoje yra įrašyta daugiau nei 10 kūrinių; ši funkcija prieinama CD ir USB atkūrimo režime.
- 8. Atkūrimas, pauzė ir sustabdymas:** CD / USB / Bluetooth režime paspauskite atkūrimo ir pauzės mygtuką, kad pristabdytumėte arba atnaujintumėte atkūrimą; CD ir USB režime paspauskite sustabdymo mygtuką, kad sustabdytumėte atkūrimą, paspauskite atkūrimo mygtuką, norėdami vėl atnaujinti muzikos atkūrimą.
- 9. Ankstesnis ir sekantis, pasukimas pirmyn ir atgal:** trumpai paspauskite mygtuką ankstesnis / sekantis, kad pereitumėte prie paskutinio arba sekančio kūrinių atkūrimo; paspauskite ir laikykite nuspauštą persukimo mygtuką pirmyn / atgal nuotolinio valdymo pulto, norėdami greitai persukti einamąjį kūrinių pirmyn arba atgal ir sugrįžti įprastą atkūrimą atleidus mygtuką.
- 10. Atkūrimo pakartojimas:** CD ir USB režime pakartotinai paspauskite pakartojimo mygtuką, kad pakartotumėte vieną kūrinių, kartokite aplanką, pakartotumėte visą laikmenos turinį arba išjungtumėte pakartojimą;
- 11. Atsitiktinis atkūrimas:** paspauskite atsitiktinio atkūrimo mygtuką, kad įjungtumėte arba išjungtumėte atsitiktinį atkūrimą.
- 12. CD plokštelės įdėjimas:** Paspauskite CD dangtelio atidarymo mygtuką, kad jį atidarytumėte ir tada įdėkite CD diską. Paspauskite jį dar kartą, kad uždarytumėte CD dangtelį.

13. Garsumas: trumpai paspauskite mygtuką, kad sustiprintumėte garso spalvą.

14. Ausinės: Prijunkite ausines prie ausinių lizdo, esančio priekiniame skydelyje, prijungus ausines garsas iš garsiakalbių bus nutildytas ir bus girdimas tik iš ausinių. Sureguliuokite garsumą.

15. Kartokite konkrečią dainos dalį: CD/USB režime trumpai paspauskite nuotolinio valdymo pultelio A-B mygtuką, kad pasirinktumėte pasirinktos dainos sekos pradžios tašką, dar kartą paspauskite jį, kad pasirinktumėte pabaigos tašką; tada prietaisas pakartos nurodytą dainos dalį, kol vėl paspauskite A-B mygtuką, kad atšauktumėte ir atnaujintumėte normalų atkūrimą.

16. Sistemos paleidimas iš naujo: CD režimu išstumkite CD dėklą (neuždarydami), paspauskite ir palaikykite 3 sekundes, kad ekrane būtų rodoma „Reset“ ir sistema bus atstatyta.

CD plokštelės atkūrimas

Šis modelis turi CD / CD-R-RW diskų ir MP3 / WMA garso formatuose išsaugotų muzikos failų atkūrimo funkciją (DVD diskai neatkuriami). Prieš pradėdami CD disko atkūrimą, įsitinkinkite, kad ant CD diske nėra užterštų taškų ar įbrėžimų, kitaip įrenginys gali neskaityti CD disko arba atkūrimą lydės nepageidaujami garsai.

1. Pakartotinai paspauskite šaltinio pasirinkimo mygtuką arba CD / USB mygtuką nuotolinio valdymo pultelyje, kad pereitumėte prie CD atkūrimo.
2. Paspauskite atidarymo mygtuką, kad atidarytumėte CD dangtelį ir įdėkite CD diską; uždarykite CD dangtelį. Įrenginys automatiškai pradės CD disko nuskaitymą ir atkūrimą.
3. Sukurkite savo grojaraštį (galimybė užprogramuoti iki 20 takelių CD diskams ir iki 99 takelių WMA / MP3 diskams).
 - a. CD atkūrimo režime pirmiausia paspauskite mygtuką stop, ir tada paspauskite programavimo mygtuką, kad pradėtumėte kurti sąrašą.
 - b. Displėjuje pasirodys užrašas "XXX PXX", paspauskite mygtuką ankstesnis / sekantis arba skaičiaus mygtukas, kad pasirinktumėte kūrinį, kurį norite užprogramuoti, ir tada paspauskite programavimo mygtuką, kad patvirtintumėte.
 - c. Tada displėjus parodys užprogramuotą takelį ir pereinį kito takelio nustatymą. Pavyzdžiui, "006 P01" reiškia, kad takelis numeris 6 buvo užprogramuotas kaip takelis numeris 01.
 - d. Pakartokite minėtus b ir c žingsnius, kad nustatytumėte likusius takelius, kol displėjus parodys "FULL" komunikatą.
 - e. Tada paspauskite atkūrimo mygtuką, kad pradėtumėte užprogramuoto sąrašo atkūrimą.
4. Norėdami atšaukti ir išrinti užprogramuotą grojaraštį, du kartus paspauskite sustabdymo mygtuką arba išimkite CD diską.
5. CD atkūrimo metu prieinamos šios funkcijos: kartojimas ir pauzė, sustabdymas, pritydymas, atsitiktinis kartojimas, kūrinio pasirinkimas, EQ funkcija, persukimas pirmyn ir atgal, greitas pasirinkimas su skaitmeniniais mygtukais ir t.t. Susipažinkite su šios instrukcijos bendrą įrenginio naudojimą aprašančia dalimi.

FM radijo naudojimas

Prieš pradėdami klausytis FM radijo, prijunkite galiniame skyde pridėtą FM anteną prie FM lizdo arba perkelkite įrenginį prie lango, kad gautumėte geresnį FM radijo signalą.

1. **Automatinis skenavimas ir radijo stočių programavimas:** keletą kartų paspauskite šaltinio mygtuką, kad pereitumėte į FM radijo režimą; trumpai paspauskite FM dažnio skenavimo mygtuką arba atkūrimo / pauzės mygtuką (2 sekundės) priekiniame skydelyje, kad automatiškai nuskaitytumėte ir išsaugotumėte prieinamas radijo stotis. Įrenginys gali išsaugoti iki (maks.) 40 stočių. Trumpai paspauskite mygtuką ankstesnis/sekantis pagrindinio įrenginio priekiniame skydelyje, arba paspauskite mygtuką +/- arba nuotolinio valdymo pulto skaičiaus mygtukas kad pasirinktumėte užprogramuotą stotį.
2. **Rankinis koregavimas arba automatinis skenavimas:** trumpai paspauskite FF +/- mygtuką, kad 0,1 MHz verte padidintumėte arba sumažintumėte dažnį; 2 sekundes paspauskite ir palaikykite mygtuką FF +/- arba ankstesnis / sekantis priekiniame skydelyje, kad automatiškai nuskenuotų prieinamą FM stotį aukštesnį arba žemyn juostas, tada skenavimas sustos ir automatiškai atkurs prieinamą stotį.
3. **Rankinis stočių programavimas:** nustatę savo mėgstamą stotį pakoregavus rankiniu būdu arba automatiškai skenuodami, pirmiausia paspauskite atminties mygtuką nuotolinio valdymo pultelyje, o displėjuje pradės mirkčioti stoties atminties numerio skaičiai, paspauskite mygtukas kanalas +/- , norėdami pakeisti numerį, pagal kurį norite išsaugoti pasirinktą stotį. Tada paspauskite atminties mygtuką, kad patvirtintumėte pasirinkimą; ir aktuali FM stotis bus išsaugota. Pakartokite veiksmą, kad išsaugotumėte kitą stotį.
4. **Eikite į tam tikrą dažnį:** pirmiausia paspauskite GOTO mygtuką nuotolinio valdymo pulte, tada naudodamiesi skaičių mygtukais įveskite konkretų FM stoties dažnį tokį kaip 1-0-4-3, tada eikite į jo atkūrimą.

USB naudojimas

Produktas turi USB atkūrimo funkciją, kuri gali dekoduoti ir atkurti muziką iš išimamų USB laikmenų. Prieš pradėdami operaciją, nukopijuokite muziką MP3 / WMA formatu į USB atmintinę. Maksimali palaikoma USB atmintis gali būti iki 32 GB talpos.

1. Prieš paleisdami USB atkūrimą įsitinkinkite, kad USB atminties įrenginys teisingai prijungtas prie USB lizdo. Tada pereikite į USB atkūrimo režimą paspausdami šaltinio pasirinkimo arba CD / USB mygtuką nuotolinio valdymo pultelyje. Tada prietaisas dekoduos ir po kelių sekundžių pradės automatiškai groti muziką.
2. USB režime galima naudotis šiomis funkcijomis: atkūrimas ir pauzė, sustabdymas, pritydymas, kartojimas, garso ekvalaizeris, persukimas pirmyn ir atgal ir t.t. Susipažinkite su šios instrukcijos bendrą įrenginio naudojimą aprašančia dalimi.
Pastabos:
 - a. Nerekomenduojamas USB atmintinės prijungimas naudojant USB ilgakio kabelį, nes tai gali sukelti triukšmą ar pertraukiamą garsą dėl garso duomenų praradimo perduodant. Nekarantuojama visų MP3 / WMA failų dekodavimo ir atkūrimo.
 - c. Didžiausia USB atmintinės talpa tai 32 GB.d. Kai kurių USB atmintinių dekodavimas ir atkūrimas gali užtrukti truputį ilgiau; atkreipkite dėmesį, kad tai nėra trūkumas.

Bluetooth naudojimas

Šis produktas turi Bluetooth funkciją, leidžiančią belaidžiu būdu atkurti muziką iš kito Bluetooth įrenginio.

1. Keletą kartų paspauskite šaltinio pasirinkimo mygtuką, kad įjungtumėte Bluetooth režimą, displėjuje pasirodys komunikatas "BLUE-T". Įjunkite Bluetooth funkciją išoriniame įrenginyje ir pradėkite ieškoti prieinamų Bluetooth prietaisų (susipažinkite su išorinio įrenginio naudojimo instrukcija), ir tada patikrinkite paruoštų suporavimui Bluetooth įrenginių sąrašą.
2. Pasirinkite „BP MS30,2BT“ susiejimui; sėkmingai prijungus prie „Bluetooth“ prietaiso, ekrane nustos mirksėti BLUE-T pranešimas.

3. Išoriniame Bluetooth įrenginyje pasirinkite ir atkurkite muziką ir tada garsas bus atkuriamas per šio įrenginio garsiakalbius
4. Paspauskite mygtuką ankstesnis / sekantis, kad atkūrimo metu pasirinktumėte paskutinį arba sekantį takelį.
5. Bluetooth režime prieinamos šios funkcijos: atkūrimas / pauzė, pritildymas, garso koregavimas ir t.t. Susipažinkite su šios instrukcijos bendrą įrenginio naudojimą aprašančia dalimi.
6. Ilgai (3 sekundes) paspaudus paleidimo/pauzės mygtuką priekiniame skydelyje, galima atjungti susiejimą su esamu Bluetooth įrenginiu. Dėmesio:
 - a. Dėl skirtingų konstrukcijų ir gamintojų negarantuojamas tinkamas suporavimas su visais Bluetooth įrenginiais.
 - b. Bluetooth veikimo diapazonas - 10 metrų be kliūčių tarp įrenginių.
 - c. Įrenginys gali būti suporuotas ir gali veikti tik su vienu Bluetooth įrenginiu.
 - d. Prieš poruodami su kitu įrenginiu, atjunkite esamą Bluetooth poravimą, kitaip "BP MS30,2BT" nebus rodomas paruoštų suporavimų įrenginių sąrašas.

Skaitmeninių įvesčių palaikymas

Šis modelis turi skaitmeninę optinę ir HDMI(ARC) įvestis, kurios leidžia jį prijungti prie televizoriaus ar kitų suderinamų išorinių įrenginių garsui atkurti.

Optinė įvestis: Su optiniu kabeliu (nėra komplekte) prijunkite televizoriaus arba kito prietaiso išvesties prievadą prie šiamo modelyje integruotos optinės įvesties. Kelis kartus paspauskite šaltinio pasirinkimo mygtuką, kad pereitumėte į optines įvesties režimą. Patikrinkite ir sureguliuokite šio įrenginio ir televizoriaus ar kito išorinio įrenginio garsumą, pasirinkite ir atkurkite norimą turinį, tada garsas bus atkurtas naudojant šį modelį.

HDMI(ARC) įvestis: Šis modelis palaiko HDMI jungtį su ARC (garso gražinimo kanalas); Jei televizoriaus suderinamas su HDMI ARC standartu (Informacijos ieškokite televizoriaus specifikacijose), galite leisti televizoriaus garsą naudodami šio modelio garsiakalbius. Naudokite HDMI kabelį (nėra komplekte), kad prijungtumėte šį įrenginį prie televizoriaus, kelis kartus paspauskite šio modelio šaltinio pasirinkimo mygtuką, kad įjungtumėte HDMI režimą, arba sėkmingai prijungus ir įjungus televizorių, šaltinis automatiškai persijungs į HDMI režimą. Sureguliuokite garsumo lygį, pasirinkite ir paleiskite turinį televizoriuje, o tada pasirinktos programos garsas bus atkuriamas naudojant šio įrenginio garsiakalbius.

Dėmesio!

- a. Skaitmeninės įvesties (optinio ir HDMI ARC) režimu nustatykite televizoriaus arba išorinio įrenginio garso išvestį į „PCM stereo“ arba „stereo 2.0“ (išsamesnė informacija pateikiama televizoriaus arba išorinio įrenginio instrukcijoje), kitaip šis įrenginys neatkurs garso.
- b. Įsitikinkite, kad Jūsų televizorius palaiko HDMI ARC. Televizorius gali turėti kelis HDMI prievadus, todėl patikrinkite ir tinkamai prijunkite HDMI ARC išvesties prievadą, paprastai šalia prievado yra informacija apie tai, kuris prievadas palaiko HDMI ARC (žr. televizoriaus instrukciją arba jo specifikaciją).
- c. Pasirinkdami ir įsigydami HDMI kabelį, įsitikinkite, kad jis palaiko HD1M V1.3 ir naujesnes versijas ir yra 19 gyslų kabelis.
- d. Jei nėra garso arba pertraukiamo išvesties signalo, atidžiai patikrinkite aukščiau pateiktas pastabas ir įsitikinkite, kad ryšys tarp muzikinio centro ir kito prietaiso yra tinkamas.
- e. Skaitmeninio įvesties signalo atkūrimo režimu garsumo valdymo/ekvalaizerio nustatymo/nutildymo funkcijos ir t. t. galima valdyti naudojant nuotolinio valdymo pultą.

LINE IN režimo naudojimas (AUX IN)

Norėdami prisijungti ir atkurti muziką iš kito grotuvo ar šaltinio, atlikite šiuos žingsnius:

1. Naudodami komplektuojamą garso kabelį (3.5mm į 3.5mm stereo)galiniame skyde įrenginio galiniame skydelyje esantį AUX IN (3.5mm stereo tipas) priekyje skyde o kitą 3,5 mm stereo jungtį prijunkite prie išorinio grotuvo linijinės išvesties arba ausinių lizdo. Pasirinkite AUX IN režimą paspausdami šaltinio mygtuką.
2. Atkurkite muziką išoriniame grotuve, o garsas bus atkuriamas per šio įrenginio garsiakalbius.
3. AUX IN atkūrimo režime pagrindinis valdiklis yra išorinio grotuvo pusėje. Šiame įrenginyje galima valdyti garsumą, garso ekvalaizerį EQ ir pritildyti garsą.

Laikrodžio ir aliarmo nustatymai (žadinimas muzika ir auto-atkūrimas)

Įrenginyje yra laikrodis ir žadintuvas leidžiantys naudoti muzikinį centrą kaip žadintuvą. Prietaisas, nustatytu laiku automatiškai pradės groti muziką.

1. Laikrodžio nustatymas: budėjimo režime paspausti ir kelias sekundes palaikyti mygtuką.

„CLOCK“ nuotolinio valdymo pulte laikrodžio nustatymo pradėjimui, ekrane mirksės laikas; paspausti mygtuką mygtukas kanalas +/- 12/24 valandų formato pasirinkimui, paspausti nuotolinio valdymo pulto mygtuką „CLOCK“ pasirinkimo patvirtinimui; ekrane mirksis valandiniai skaičiai, paspausti mygtuką mygtukas kanalas +/- teisingos valandos nustatymui ir vėl paspausti mygtuką „CLOCK“ pasirinkimo patvirtinimui; tada ekrane mirksis minučių skaičiai, paspausti mygtuką mygtukas kanalas +/- teisingų minučių nustatymui ir vėl paspausti mygtuką „CLOCK“ pasirinkimo patvirtinimui ir kauko nustatymo užbaigimui.

2. Žadintuvo nustatymas: laikrodžio režime žadintuvo nustatymui paspausti ir kelias sekundes laikyti nuspaudus nuotolinio valdymo pultelio mygtuką „ALARM“, tada ekrane pasirodys žadintuvo laikas; paspauskite +/- kanalo keitimo mygtuką, kad nustatytumėte norimą žadintuvo laiką, tada paspauskite laikrodžio mygtuką, kad patvirtintumėte pasirinkimą; dabar pereikite prie likusių parametrų: minutės / žadintuvo šaltinio (FM/CD/USB) / žadintuvo garsumo, nustatymo - tai panašus veiksmas kaip ir nustatant žadintuvo laiką. Norėdami patvirtinti ir užbaigti pasirinkimą, dar kartą paspauskite žadintuvo mygtuką.

Dėmesio:

- a. Laikrodžio ir žadintuvo nustatymai gali būti tik tada, kai prietaisas prijungtas prie maitinimo šaltinio. Po kiekvieno elektros įtampos išsijungimo būtina iš naujo nustatyti laikrodį ir žadintuvą.
- b. Tinkamai nustatčius žadintuvą, ekrane pasirodys žadintuvo piktograma. Trumpas „ALARM“ mygtuko paspaudimas budėjimo režime išjunga žadintuvą, dar kartą paspaudus „ALARM“ mygtuką įjungiamas žadintuvas.
- c. Kai žadinimas suaktyvintas, įrenginys (CD/FM radijas/USB) pradės groti automatiškai. Norint išjungti aliarmą paspauskite maitinimo mygtuką.

Trikčių šalinimas

1. Negalima įjungti įrenginio.
 - a. Patikrinkite, ar srovės maitinimo laidas tinkamai prijungtas prie sieninio lizdo.
 - b. Kilus problemai kreipkitės į aptarnavimo centrą.
2. Nėra garso.
 - a. Pabandykite sureguliuoti garsumą.
 - b. Patikrinkite, ar pasirinkote teisingą atkūrimo režimą.
 - c. Kilus problemoms kreipkitės į aptarnavimo centrą.
3. Negalima atkurti CD plokštelės.
 - a. Pabandykite pakeisti ir atkurti kitą CD diską su CD / CD-R-RW / MP3 / WMA formato muzika.
 - b. Pabandykite išvalyti diską CD.
 - c. Kilus problemoms kreipkitės į aptarnavimo centrą.
4. Triukšmas FM režime.
 - a. Visiškai išplėskite FM anteną, pabandykite sureguliuoti antenos kryptį.
 - b. Perkelkite įrenginį prie lango.
 - c. Pasirinkite kitą dažnį.
5. Pertraukiamas garsas Bluetooth atkūrimo metu.
 - a. Pabandykite perkelti Bluetooth įrenginį arčiau šio įrenginio.
 - b. Pabandykite išjungti Bluetooth funkciją išoriniame įrenginyje ir vėl ją įjunkite.
6. Nuotolinio valdymo pultelis veikia netinkamai.
 - a. Nukreipkite nuotolinio valdymo pultelį kairėje displejaus pusėje esančio jutiklio kryptimi.
 - b. Dėl žemo įkrovimo lygio pakeiskite bateriją nauja.

Specifikacija

Maitinimo šaltinis: AC 110-240 V, 50/60 Hz
Suderinamumas su CD: CD / CD-R-RW / MP3 / WMA
FM dažnis: 87,5-108,0 MHz
USB parametrai: 5 V, 500 mA, 2.0 versija, palaikomi iki 32 GB įrenginiai
Bluetooth: 5.0/ darbinis atstumas iki 10 metrų.
HDMI ARC V2.0, 1 įvestis x optinė įvestis.
RMS išėjimo galia: 2 x 25W
Energijos suvartojimas: 60W total
Galios sąnaudos parengties režime: <0,5W
(Dėmesio: nurodyta specifikacija gali būti keičiama be išankstinio įspėjimo.)

POMEMBNA POROČILA O VARNOSTI


NEVARNOST ELEKTRIČNEGA
UDARA NE ODPIRATI

Pozor:

Da bi zmanjšali nevarnost električnega udara, ne razstavljajte pokrova in zadnjega dela naprave. Znotraj naprave ni elementov, ki bi jih lahko uporabnik samostojno popravil. Vzdrževalna dela in popravila lahko opravljajo le usposobljeni servisjeri.

Razlaga grafičnih simbolov:


Simbol strele s puščico na koncu, v enakostraničnem trikotniku opozarja uporabnika na neizolirano »nevarno napetost« v ohišju naprave. Napetost lahko doseže vrednost, ki predstavlja tveganje električnega udara.



Klicaj v enakostraničnem trikotniku opozarja uporabnika na pomembne informacije o uporabi in vzdrževanju naprave, ki jih vsebuje dokumentacija, priložena napravi.

Prosimo, da pred uporabo naprave preberete ta navodila, da bi se seznanili s funkcijami naprave in jo uporabljali skladno z namenom. S tem lahko zagotovite dolgotrajno, nemoteno in prijetno uporabo naprave.

Pomembni podatki

- Shranite ta navodila za uporabo in poročila o varnosti, ker jih boste lahko potrebovali v prihodnosti.
- Ne dovolite, da se na napravo razlije oziroma nanjo kaplja tekočina.
- Naprave ne uporabljajte v vlažnih prostorih, kot je na primer kopalnica.
- Naprave ne smete namestiti na naslednji način:
- Naprava ne sme biti izpostavljena neposrednemu vplivu sončnih žarkov oz. se ne sme nahajati v bližini grelcev.
- Naprava se ne sme postaviti na drugo stereoofonsko napravo, ki oddaja toploto.
- Naprava ne sme ovirati prezračevanja oz. se ne sme nahajati v zaprašenem prostoru.
- Naprava ne sme biti izpostavljena stalnim vibracijam.
- Naprava se ne sme nahajati v prostorih z visoko vlažnostjo.
- Naprava se ne sme nahajati v bližini sveč ali odprtega ognja.
- Napravo uporabljajte le na način, opisan v teh navodilih.
- Pred prvim vklopom napajanja se je treba prepričati, da je napajalnik pravilno prikljopljeno.
- USB-spomin se priklopi neposredno oz. s pomočjo USB-podaljška dolžino do 25 cm.

Zaradi varnosti ni dovoljeno razstavljanje ohišja oz. pronicanje v notranjost naprave. Napravo lahko popravi le usposobljeno servisno osebje.

Ne razstavljajte in ne odpirajte ohišja naprave, kajti noter ni delov, ki bi jih lahko popravil uporabnik. Vzdrževalna dela in popravila lahko opravljajo le usposobljeni servisjeri.

POROČILA O VARNOSTI

1. Preberite navodila za uporabo – pred uporabo naprave je treba prebrati vsa navodila za uporabo in poročila o varnosti.
2. Shranite navodila za uporabo – navodila za uporabo je treba shraniti za primer kasnejše uporabe.
3. Upošteвайте opozorila – ukrepajte skladno z vsemi opozorili, ki jih vidite na napravi ter z opozorili, omenjenimi v navodilih za uporabo.
4. Sledite navodilom – ukrepajte skladno z navodili za uporabo in navseti za uporabnika.
5. Namestitev – napravo postavite skladno s proizvajalčevimi navodili.
6. Viri napajanja – napravo napajajte izključno iz virov, ki odgovarjajo parametrom, navedenim na napajalnem kablu. Če niste prepričani, kakšno napajanje imate doma, obrnite se na prodajalca naprave oz. lokalnega dobavitelja električne energije.
7. Ozemljitev in polarizacija napajanja – napravo lahko uporabljate brez ozemljitve. Prepričajte se, da je vtič v celoti nameščen v omrežni vtičnici oz. podaljšku, tako da se stiki ne vidijo. Nekatere različice naprave so lahko opremljene s polariziranim vtičem za izmenični tok (en stik je debelejši). Takšen vtič lahko vklopite v omrežno vtičnico le na en način. To je zavarovalna funkcija. Če vtiča ne morete vklopiti v vtičnico, ga poskusite obrniti. Če se vtič še vedno ne ujema z vtičnico, naj vam jo električar zamenja. Zavarovanje iz polariziranega vtiča ne smete odstranjevati. Če uporabljate podaljšek ali napajalni kabel, ki nista priložena napravi, se prepričajte, da imata ustrezne vtiče in potrdilo o varnosti, ki se zahteva v določeni državi.
8. Zavarovanje napajalnega kabla – napajalni kabel je treba namestiti na način, ki omejuje nevarnost potepanja, pritiskanja oz. naključnega razrezanja. Bodite posebej pozorni na vtiče, omrežne vtičnice in mesta, kjer kabli izhajajo iz naprave.
9. Preobremenitev – preobremenitev zidnih vtičnic, podaljškov in električnih razdelilnikov ni dovoljena, saj lahko to privede do požara ali električnega udara.
10. Prezračevanje – napravo je treba pravilno prezračevati. Ne postavite je na posteljo, kavč ali podobne površine. Ne prekrivajte je s prti, robci, revijami idr.
11. Toplota – naprave ne postavite v bližino virov toplote, kot so grelci, sevalniki, peči in druge naprave (tudi ojačevalniki), ki oddajajo toploto. Na napravo ne postavite gorečih svečk in drugih virov odprtega ognja.
12. Voda in vlaga – da bi zmanjšali tveganje požara ali električnega udara, naprave ne izpostavite neposrednemu vplivu dežja, vode in vlage, na primer ne postavite je v savni ali kopalnici. Te naprave ne smete uporabljati v bližini vode, na primer zavrni kadi, umivalnika, korita oz. škafo, v vlažni kleti oz. v bližini bazena (in podobnih mest).
13. Predmeti in tekočine v napravi – skozni odprtine v napravi ne potiskajte nobenih predmetov, saj se tisti predmeti lahko dotaknejo točk z nevarno napetostjo in s komponentami, kar lahko privede do požara oz. električnega udara. Nikakor ne razlize nobenih tekočin na površino naprave. Na napravo ne smete postaviti predmetov, ki vsebujejo tekočine.

14. Čiščenje – preden začnete s čiščenjem, napravo vedno odklopite iz omrežne vtičnice. Prah, ki je okoli zvočnika, lahko obrišete s suho krpo. Če za čiščenje uporabljate aerosol, razpršilo usmerite na krpo, ne pa neposredno na napravo. Pazite, da se ne poškodujejo pogonske enote.
15. Dodatna oprema – ne uporabljajte pripomočkov, ki jih proizvajalec ne potrdi, ker lahko predstavljajo nevarnost.
16. Pripomočki – naprave ne postavite na nestabilen voziček, stojalo, stavivo, konzolo ali mizo. Naprava se lahko prevrne in poškoduje, lahko tudi hudo poškoduje otroka ali odraslo osebo. Uporabite le vozičke, stojala, stavive, konzole in mize, ki jih priporoča proizvajalec oz. ki se prodajajo skupaj z napravo. Namestitvev naprave mora potekati skladno z navodili proizvajalca, ob uporabi montažnega seta, ki ga priporoča proizvajalec.
17. Prestavljanje naprave – napravo postavite na voziček in zelo previdno prestavite. Nenadna ustavitve vozička, prevelika moč oz. neravne površine lahko pripeljejo do prevrnitve vozička z napravo.
18. Obdobje mirovanja naprave – napajalni kabel je treba odklopiti iz omrežne vtičnice v primeru neviht s strelami oz. ko naprave ne boste dlje časa uporabljali.
19. Servisiranje - naprave ne smete servisirati samostojno. Po odpiranju ohišja je uporabnik izpostavljen visoki napetosti in drugi nevarnosti. Vzdrževalna dela in popravila lahko opravljajo le usposobljeni serviserji.
20. Ko naprave ne uporabljate, odklopite njen vtič iz omrežne vtičnice. Ko je naprava priključena na vir napajanja, ni nikoli popolnoma izklopljena, vendar je v stanju pripravljenosti.
21. Nadomestni deli – ob zamenjavi delov je treba preveriti, ali je serviser uporabil nadomestne dele proizvajalca oz. ali nadomestni deli ustrezajo originalnim delom. Uporaba nepotrjenih delov lahko privede do požara, električnega udara oz. drugih nevarnih razmer.
22. Glavne varovalke – da bi napravo trajno zavarovali pred požarom, uporabite varovalke ustrezne vrste in parametrov. Parametri varovalk glede napetosti so označeni na napravi.
23. Ne povečajte glasnosti ob poslušanju tihega posnetka oz. ko ni vhodnega zvočnega signala. Z nenadnim povečanjem intenzitete signala lahko poškodujete zvočnik.
24. Edini način popolnega odklopa naprave iz vira napajanja je odklop napajalnega kabla iz omrežne vtičnice oz. iz naprave. Omrežna vtičnica oz. vhod za napajalni kabel morata biti vedno dostopna med uporabo naprave.
25. Napravo je treba postaviti v bližini omrežne vtičnice oz. podaljška, na tak način, da je vtičnica vedno dostopna.
26. Maksimalna temperatura v prostoru, kje je naprava, je 35 °C.
27. Nasveti glede električnih razelektritev – če delovanje naprave motijo električne razelektritve, je treba napravo izklopiti in ponovno vklopiti oz. jo prestaviti na drugo mesto.
28. Baterija
 - a. Baterije ne smejo biti izpostavljene vplivu prekomerne toplote, npr. sončnih žarkov, ognja idr.
 - b. Pri odstranjevanju baterij je treba biti posebno pozoren na okoljevarstvena vprašanja.
 - c. Opozorilo glede uporabe baterije: da se prepreči puščanje baterije, ki lahko privede do poškodb telesa oz. naprave:
 - Ob namestitvi baterij pazite na polarizacijo (+ in -).
 - Skupaj ne smete uporabljati novih in starih baterij, standardnih in alkalnih idr.
 - Če naprave več časa ne uporabljate, odstranite baterije.

OPOZORILO

Naprave ne smejo uporabljati osebe (vključno z otroki) z zmanjšano fizično, senzorično ali mentalno sposobnostjo ali brez izkušenj oz. znanja, razen če so pod nadzorom osebe, ki je odgovorna za njihovo varnost, oz. če so se poučile z navodili o varni uporabi naprave. Prisotnost odraslih je obvezna, če napravo uporabljajo otroci. S tem se lahko zagotovi varna uporaba naprave.

1. Vključene naprave ne smete pustiti brez nadzora! Napravo izklopite, tudi če naprava le nekaj časa počiva.
2. Naprave ne smete uporabljati preko zunanje ure s časovnim sistemom oz. preko ločenega sistema z daljinskimi upravljanjem.
3. Da bi se izognili nevarnosti v primeru poškodovanja napajalnega kabla, zamenjave lahko opravi le proizvajalec, pooblaščen servisno podjetje oz. ustrezno usposobljen strokovnjak.
4. Pred začetkom uporabe naprave je treba preveriti, ali napetost naprave ustreza napetosti lokalnega električnega omrežja.
5. Prezačevalnih odprtin ne prekrivajte, npr. z revijami, prti, zavesami idr. Prepričajte se, da je nad napravo ohranjenega najmanj 20 cm prostega prostora, na straneh pa vsaj 5 cm.
6. Ne dovolite, da na napravo kaplja oz. da se nanjo razlije tekočina, na napravo ne postavite predmetov s tekočino, npr. vaz.
7. Da se prepreči nastajanje požara ali nevarnost električnega udara, napravo zaščitite pred vročino, vplivom dežja, vlage in praha.
8. Naprave ne postavite v bližini katerih koli virov vode, npr. umivalnikov, kadi, pralnih strojev oz. bazenov. Napravo postavite na ravno in stabilno podlago.
9. Naprave ne izpostavite močnemu magnetnemu polju.
10. Naprave ne postavite neposredno na ojačevalnik ali spjemnik.
11. Naprave ne postavite na vlažno mesto, ker ima vlagla negativni vpliv na električne komponente.
12. Ko napravo prestavite iz hladnega prostora v tople oz. vlažen prostor, lahko pride do kondenzacije vlage na leči znotraj predvajalnika. To lahko povzroči nepravilno delovanje naprave. Napravo pustite vklopljeno vsaj na eno uro, da vlaga izpari.
13. Naprave ne čistite s kemijskimi topili, ker se lahko na ta način poškoduje lakirana površina ohišja. Napravo obrišite s čisto, suho oz. rahlo navlaženo krpicco.
14. Med odklopom vtiča iz omrežne vtičnice je treba vedno vleči za vtič, nikoli za napajalni kabel.
15. Ko se vklopljena naprava uporablja v bližini vklopljenega TV-ja, lahko pride do motenj slike v obliki črt na zaslonu. To je odvisno od valov TV-prenosa. To ne pomeni, da naprava oz. TV ne delujeta pravilno. Če se vidijo črte, premaknite napravo stran od TV-ja.
16. Omrežni vtič se uporablja za odklop napajanja in zato mora biti vedno dostopen.
17. Da bi laserska glavnica za odčitavanje CD-zgoščenk ostala čista, se je ne dotikajte in vedno zapirajte prostor za CD-je.
18. Med predvajanjem se zgoščenka vrti z veliko hitrostjo. Naprave med predvajanjem NE SMETE dvigati oz. premikati, saj lahko na ta način poškodujete zgoščenko oz. napravo.
19. Preden napravo prestavite na drugo mesto, odstranite zgoščenko in zaprite prostor za CD-je. Nato izklopite napajanje in odklopite napajalni kabel. Prestavljanje naprave z vstavljenjo zgoščenko je lahko razlog za poškodovanje naprave.
20. Po predvajanju zgoščenko pospravite v škatlo. Zgoščenk ne izpostavite neposrednemu vplivu sončnih žarkov ter virov toplote in jih ne pustite v vozilu, ki je parkirano na soncu.
21. Ne dotikajte se strani zgoščenke, na kateri ni etikete. Zgoščenko primite za robove, da ne pustite prstnih odtisov. Prah, prstni odtisi oz. praske so lahko razlog za nepravilno delovanje predvajalnika. Na zgoščenko ne prilepite kartic ali samolepilnega traka.

22. Za čiščenje zgoščen uporabite čisto krpo, ki ne pušča kosmičev. Čiščenje začnite od sredine zgoščenke proti robu, za to uporabite splošno dostopna čistilna sredstva oz. antistatična sredstva za vinilne plošče.
23. Da bi preprečili nevarnost izgube sluha, glasne glasbe ne poslušajte dlje časa.



OPOZORILO: VIR SEVANJA

CLASS 1 LASER PRODUCT
LUOKAN 1 LASERLAITE
KLASS 1 LASERAPPARAT

COMPACT
disc
DIGITAL AUDIO

PRED ZAČETKOM DELA

Opombe: glede zgoščenk.

Ker so lahko umazane, poškodovane oz. izkrivljene zgoščenke razlog za poškodovanje naprave, treba je biti posebno pozoren na:

- a. Zgoščenke, ki se lahko uporabijo. Lahko uporabite le spodaj navedene zgoščenke.
- b. CD-zgoščenke le z digitalnim zvočnim signalom.

POZOR



Izjava

S tem Blaupunkt Competence Center 2N-Everpol Sp. z o.o. izjavlja, da je ta naprava v skladu z zahtevami in drugimi ustreznimi določili uredbe 2014/53/EU. Celotno izjavo o skladnosti si lahko ogledate na spletni strani www.blaupunkt.com v zavihku izdelka.

Odgovorni subjekt: 2N-Everpol Sp. Z o.o.

Puławska 403A, 02-801 Warszawa, Polska

Telefon: +48 22 688 08 00, e-naslov: info@everpol.pl



Naprava je izdelana iz visokokakovostnih materialov ter komponent, ki se lahko reciklirajo in ponovno uporabijo.



Če je na vaši napravi simbol prečrtanega smetnjaka, to pomeni, da je izdelek zajet v določbah evropske direktive 2012/19/EU. Na podlagi tega upoštevajte lokalne predpise in se seznanite z zahtevami za vaš lokalni sistem zbiranja električnih in elektronskih odpadkov ter jih, v primeru tega izdelka, upoštevajte.

TEGA IZDELKA NE ODVRŽITE Z GOSPODINJSKIMI ODPADKI!

TA IZDELEK VSEBUJE NEVARNE SNOVI, ZMESI IN KOMPONENTE, KI SO LAHKO V ČE NISO DOVOLJENE VIR POTENCIALNIH UČINKOV NA NARAVNO OKOLJE IN ZDRAVJE LJUDI!

Pravilno odlaganje uporabljenega izdelka bo preprečilo negativne vplive na okolje in zdravje ljudi.



Naprava je opremljena z baterijo, ki jo določa evropska smernica 2006/66/EU. Baterija se ne sme odstranjevati skupaj z gospodinjstvi odpadki. Treba se je seznaniti z lokalnimi predpisi za ločeno zbiranje odpadnih baterij, ker le ustrezna odstranitev preprečuje morebitne negativne učinke za okolje in človekovo zdravje.

Podatki za varovanje okolja

Komplet vsebuje samo potrebne elemente. Prizadevali smo si, da bodo vsi trije elementi embalaže lahko odstranljivi: karton (škafka), polistirenska pena (zunanja zaščita) in polietilen (vreče, zaščitna plast). Naprava je izvedena iz materialov, ki se lahko reciklirajo, ter jih lahko po demontaži s strani strokovnega podjetja ponovno uporabljamo. Upoštevati je treba lokalne predpise za odstranjevanje embalaž, porabljenih baterij ter nepotrebnih naprav. Za zapisovanje in predvajanje je treba obvezno pridobiti soglasje. Glej Zakon o avtorskih pravicah in pravicah izvajalcev/umetnikov.

Opomba glede ERP2 (naprav, povezanih z energijo)

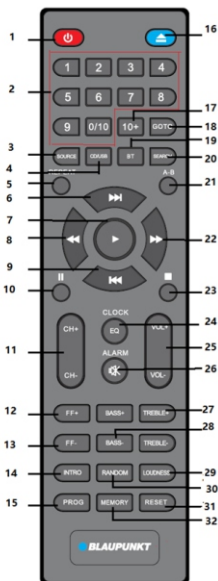
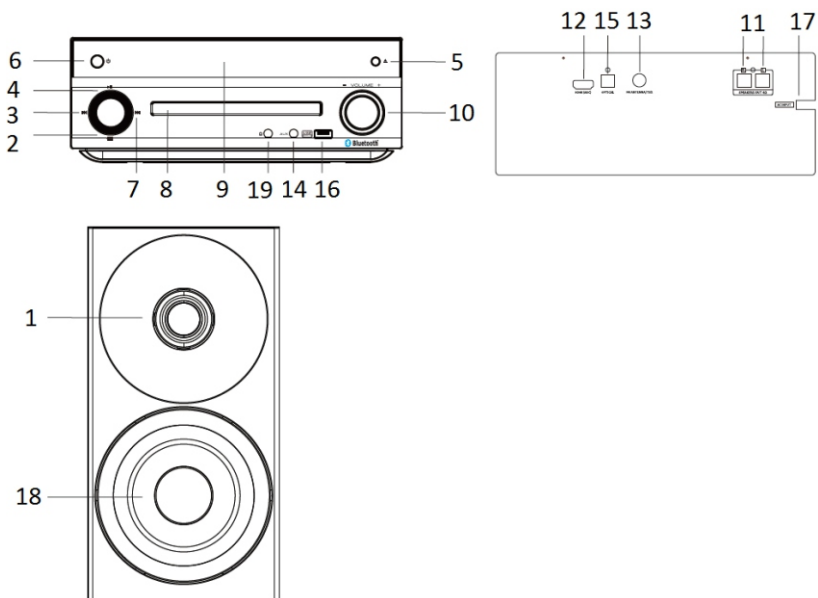
Ta naprava z ekonačrtom izpolnjuje zahteve 2. etape Uredbe Komisije (ES) št. 1275/2008 o izvajanju Uredbe 2009/125/ES glede porabe energije o vzpostavitvi okvira za določanje zahtev za primerno okoljsko zasnovane izdelke, povezane z energijo.



Podjetje Bluetooth SIG, Inc. USA je lastnik blagovnih znamk in logotipa Bluetooth®. Za uporabo teh znamk in logotipa se zahteva licenca. Druge znamke in trgovska imena so v lasti ustreznih lastnikov.

Hvala za nakup našega izdelka. Prosimo, da pozorno preberete ta navodila in se z njimi seznanite pred začetkom uporabe naprave. Shranite navodila za primer poznejše uporabe.

Razporeditev elementov za upravljanje



- 1 - Visokotonski zvočnik; 2 - Izbira vira; 3 - Tipka »prejšnja«;
 4 - Tipka za predvajanje/ustavitev; 5 - Tipka za odpiranje pladnja CD;
 6 - Tipka za stanje pripravljenosti; 7 - Tipka »naslednja«; 8 - Pladenj CD;
 9 - Zaslon; 10 - Gumb za glasnost; 11 - Vtičnica za priključitev zvočnikov (4 ohm);
 12 - Vhod HDMI(ARC); 13 - Vtičnica za anteno FM 75 omov; 14 - Vtičnica AUX IN;
 15 - Optični vhod; 16 - Vhod USB; 17 - Vhod za napajanje AC;
 18---srednje nizkotonski zvočnik;
 19--- izhod za slušalke;

Kaugjuhtimisipult

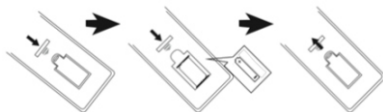
- 1.Vklop/Izklop napajanja 2.Številčne tipke 3.Vir 4.Tipka CD/USB
 5.Ponavljanje (ponavljanje vsega, ponavljanje enega posnetka, ponavljanje mape, izklop ponavljanja) 6.Naslednji 7.Predvajanje
 8.Hitro premikanje nazaj 9.Prejšnji 10.Pavza 11.Kanal +/-
 12.Frekvenca FM+ 13.Frekvenca FM- 14.Tipka funkcije intro
 15.Programiranje 16.Izmet pladnja za CD 17.10+ 18.Tipka GOTO
 19.Bluetooth 20.Iskanje frekvenc FM
 21.Ponavljanje fragmenta posnetka A-B 22.Hitro premikanje naprej
 23.Stop 24.Ura/EQ (Music-Game-News-Movie)
 25.Glasnost +/- 26.Alarm/Utišanje 27.Nastavitev soprana +/-
 28.Nastavitev basa +/- 29.Glasnost
 30.Naključno predvajanje vklopljeno/izklopljeno 31.Reset 32.Spomin

Priklop zvočnikov in napajanja

1. Za priklop zvočnikov na glavno enoto vstavite vtič, s katerim je končan kabel zvočnika, v vtičnico za zvočnik na hrbtni steni ohišja glavne enote. Priklopite levi zvočnik na vtičnico, označeno s črko L, ter desni zvočnik na vtičnico, označeno s črko R.
2. Preverite, ali vir napajanja ustreza specifikacijam nazivne napetosti, ki se nahajata na hrbtni strani glavne enote. Če se vira ne ujemata, obrnite se na prodajalca oz. servisni center.
3. Napajalni kabel glavne enote priključite na stensko vtičnico, po priklopu napajanja se zaslon prižge in prikaže časovni format.
4. Ko sistema dalj časa ne uporabljate – odklopite napajalne kable, da popolnoma prekinete napajanje.

Namestitev baterije v daljinskem upravljalniku

Odpriete poklopec komore baterije in namestite 1 baterijo AAA (v kompletu); prepričajte se, da polarizacija baterije ustreza oznakam v komori. Nato zaprite pokrov komore baterije.



Opombe:

- a) Delovna razdalja daljinskega upravljalnika je 7 metrov, če ni ovir med upravljalnikom in glavno enoto. Upravljalnik je treba usmeriti proti senzorju, ki se nahaja v levem kotu prikazovalnika.
- b) Občutljivost upravljalnika se postopoma zmanjša. Zamenjajte baterijo, da bi upravljalnik deloval pravilno.
- c) Prosimo, odstranite baterijo, če upravljalnika dlje časa ne uporabljate.
- č) Baterijo je treba odstranjevati na način, ki je varen za okolje. Prosimo, seznanite se z lokalnimi predpisi glede odstranjevanja.

Splošna uporaba

- 1. Vkllop/izkllop napajanja in stanje pripravljenosti:** Zaslon se vklopi po uspešnem priklopu naprave na izmenični tok; Pritisnite tipko za napajanje na sprednjem panelu oz. daljinskem upravljalniku, da bi vklopili in izklopili stanje pripravljenosti.
- 2. Utišanje:** Pritisnite tipko MUTE na upravljalniku, da bi utišali zvok; pritisnite ga ponovno, da bi vzpostavili predvajanje. Lahko tudi vzpostavite predvajanje s pritiskom na tipko za glasnost +/-.
- 3. Izbira načina predvajanja:** Nekajkrat pritisnite tipko SOURCE, da bi prekllopili med CD/USB/FM/LINE IN/Bluetooth/HDMI/Optični vhod. Pritisnite tipko CD/USB na upravljalniku, da bi prekllopili med načini predvajanja D in USB. Če želite imeti izbrane enake funkcije, pritisnite tipko za izbiro vira na sprednjem delu naprave.
- 4. Nastavljanje glasnosti:** Pritisnite tipko VOL +/- na upravljalniku oz. obrnite gumb za glasnost na sprednjem panelu, da bi povečali oz. zmanjšali izhodno glasnost.
- 5. Korekcija zvoka:** Pritisnite tipko EQ, da bi prekllopili način izenačevalnika med Music-Game-News-Movie.
- 6. Nastavljanje nizkih in visokih tonov:** Kratko pritisnite tipko nastavitve soprana +/- ali basa +/- na daljinskem upravljalniku, da bi nastavili visoke in nizke tone izhodnega zvoka.
- 7. Številčne tipke 0–9 in tipka 10+:** Vtipkajte ustrezne številke in pritisnite tipko za predvajanje/pavzo za potrditev. Počakajte trenutek, nato naprava začne predvajati izbran posnetek. Pritisk na tipko 10+ omogoča preskočiti 10 posnetkov v primeru nosilca, na katerem je zapisano več kot 10 posnetkov. Ta funkcija je na voljo v načinih predvajanja CD in USB.
- 8. Predvajanje, pavza in ustavev:** V načinu CD/USB/Bluetooth pritisnite tipko za predvajanje ali pavzo, da bi ustavili oz. vzpostavili predvajanje. V načinu CD in USB pritisnite tipko za ustavev, da bi ustavili predvajanje. Pritisnite tipko za predvajanje, da bi vzpostavili predvajanje glasbe.
- 9. Prejšnji in naslednji, premikanje naprej in nazaj:** Kratki pritisk na tipko prejšnji/naslednji Omogoča prehod na predvajanje daljinskega upravljalnika prejšnjega ali naslednjega posnetka. Pritisnite in pridržite tipko za premikanje naprej/nazaj, da bi hitro premikali trenutni posnetek naprej ali nazaj. Sprostite tipko, da bi vzpostavili navadno hitrost predvajanja.
- 10. Ponavljanje predvajanja:** V načinu CD in USB večkrat pritisnite tipko za ponavljanje, da bi ponovili en posnetek, celotno vsebino nosilca, ponavljalj mapo oz. izklopili ponavljanje.
- 11. Naključno predvajanje:** Pritisnite tipko za naključno predvajanje, da bi vklopili ali izklopili funkcijo naključnega predvajanja.
- 12. Namestitev zgoščenke CD:** Pritisnite tipko za odpiranje pokrova CD. Ko se pokrov odpre, namestite zgoščenko CD. Ponovno pritisnite tipko, da bi zaprli pokrov CD.
- 13. Loudness:** Kratko pritisnite tipko, če želite ojačati barvo zvoka.
- 14. Slušalke:** Slušalke priključite na priključek za slušalke, ki se nahaja na sprednji plošči, po priključitvi slušalk bo zvok iz zvočnikov utišán in bo na voljo samo iz slušalk. Prilagodite glasnost.
- 15. Ponovi predvajanje določenega fragmenta posnetka:** v načinu CD/USB kratko pritisnite tipko A–B na daljinskem upravljalniku, da bi izbrali izhodno točko izbranega fragmenta posnetka. Ponovno pritisnite tipko, da bi izbrali končno točko. Naprava ponovi predvajanje določenega fragmenta posnetka, dokler ne pritisnete tipke A–B, da bi preklicali predvajanje fragmenta in vzpostavili navadno predvajanje.

16. Ponastavitev sistema: v načinu CD odprite pladenj CD (ne zapirajte), pritisnite in 3 sekunde pridržite tipko za ponastavitev, da se na zaslonu pojavi »reset« in se sistem ponastavi.

Predvajanje zgoščenke CD

Ta model podpira predvajanje zgoščenk CD/CD-RW in zvokovnih datotek v obliki MP3/WMA (ne podpira zgoščenk DVD). Pred začetkom predvajanja zgoščenke CD preverite, ali na zgoščenci ni madežev ali prask. V tem primeru naprava ne more odčitati zgoščenke CD oz. se zvok predvaja moteno.

1. Nekajkrat pritisnite tipko za izbiro vira oz. tipko CD/USB na upravljalniku, da bi prešli na predvajanje CD.
2. Pritisnite tipko za odpiranje, da bi odprli pokrov CD. Namestite zgoščenko CD in zaprite pokrov CD. Naprava začne samodejno odčitavanje in predvajanje te zgoščenke CD.

3. Sestavite seznam predvajanja (lahko programirate do 20 posnetkov na zgoščenci CD in do 99 posnetkov na zgoščenci WMA/MP3). V načinu predvajanja CD najprej pritisnite tipko stop, nato tipko za programiranje, da bi začeli sestavljanje seznama.

a) V režime prehrávanja CD stlačite najprv tlačidlo stop, a následne stlačite tlačidlo programovanja, spusti sa funkcija vytvárania zoznamu.

b) Na prikazovalniku se prikaže "XXX PXX". Pritisnite tipko prejšnji/naslednji oz. številčna tipka izbiro posnetka, ki ga hočete programirati, nato pritisnite tipko za programiranje, da bi potrdili izbiro.

c) Nato se na prikazovalniku prikaže programiran posnetek in naprava začne programirati naslednji posnetek. Na primer 006 P01 pomeni, da je posnetek št. 6 programiran kot posnetek št. 01 na vašem seznamu.

d) Ponovite zgornja koraka b in c, da bi določili ostale posnetke. Ko končate, se na prikazovalniku prikaže sporočilo »FULL«.

e) Nato pritisnite tipko za predvajanje, da se začne predvajanje programiranih posnetkov.

f) Za preklic in izbris programiranega seznama predvajanja ponovno dvakrat pritisnite tipko za ustavitev ustavitev oz. odstranite zgoščenko CD.

4. Ob predvajanju CD so na voljo naslednje funkcije: ponavljanje in pavza, stop, utišanje, naključno predvajanje, izbira posnetka, funkcija izenačevalnika EQ, premikanje naprej in nazaj, hitro izbiranje s pomočjo številčnih tipk idr. Prosimo, seznanite se z navodili za splošno uporabo naprave.

Uporaba radia FM

Pred začetkom poslušanja radia FM je treba razviti FM-anteno oz. prosimo, priklopite priloženo anteno FM na vtičnico FM na zadnjem panelu, postaviti napravo bližje k oknu, da se doseže boljši signal.

1. Samodejno skeniranje in programiranje radijskih postaj: Nekajkrat pritisnite tipko za vir, da bi prešli na način radia FM. Kratko pritisnite tipko za skeniranje frekvenc FM oz. tipko za predvajanje/pavzo (2 sekundi) na sprednjem panelu, da bi samodejno skenirali in shranjevali razpoložljive radijske postaje. Naprava lahko shrani do (maks.) 40 postaj. Kratko pritisnite tipko prejšnji oz. naslednji na daljinskem upravljalniku oz. na sprednjem panelu glavne enote, oziroma pritisnite tipko kanala +/- ali številčno tipko na daljinskem upravljalniku da bi izbrali programirano postajo.

2. Ročno uglaševanje oz. samodejno skeniranje: Kratko pritisnite tipko FF +/-, da bi povečali oz. zmanjšali frekvenco za 0,1 MHz; pritisnite in 2 sekundi pridržite tipko FF +/- oz. prejšnji/naslednji na sprednjem panelu, da bi samodejno skenirali razpoložljivo FM-postajo gor in dol po valu; skeniranje se ustavi in naprava samodejno začne predvajati najdeno postajo.

3. Ročno programiranje postaj: Po nastavitvi priljubljene postaje z ročnim uglaševanjem oz. samodejno skeniranje, najprej pritisnite tipko spomina na upravljalniku, številke začnejo utripati na prikazovalniku. Pritisnite tipka kanala +/-, da bi spremenili številko, pod katero hočete shraniti izbrano postajo. Nato pritisnite tipko spomina, da bi potrdili izbiro. Trenutna postaja FM začne utripati. Ponovite korake, da bi shranili drugo postajo.

4. Pojdite na zeleno frekvenco: najprej pritisnite tipko GOTO na daljinskem upravljalniku, nato vtipkajte zeleno frekvenco FM, kot na primer 1-0-4-3, s pomočjo številčnih tipk. Nato začnite predvajati postajo.

Uporaba USB

Naprava je opremljena s funkcijo predvajanja USB, s katero lahko dekodira in predvaja glasbo z izmenljivih nosilcev USB. Pred začetkom uporabe kopirajte glasbo v obliki MP3/WMA v spomin USB. Maksimalni volumen podprtega spomina USB je 32 GB.

1. Pred začetkom predvajanja USB se prepričajte, da je spomin USB ustrezno priključen na vtičnico USB. Nato s pritiskom na tipko izbere vira oz. tipko CD/USB na upravljalniku pojdite na način predvajanja USB. Nato bo naprava samodejno dekodirala in predvajala glasbo.

2. V načinu USB so na voljo naslednje funkcije: predvajanje in pavza, ustavitev, utišanje, ponavljanje, korekcija zvoka, premikanje naprej in nazaj in drugo. Prosimo, seznanite se z navodili za splošno uporabo naprave.

Opombe:

a) Priklp spomina USB s pomočjo podaljška USB ni priporočen, ker tak način priklpa lahko povzroča hrup oz. motnje zvoka zaradi izguba podatkov ob pošiljanju.

b) Dekodiranje in predvajanje vseh datotek MP3/WMA ni zajamčeno.

c) Maksimalni volumen nosilcev USB je 32 GB.

d) Dekodiranje in predvajanje nekaterih nosilcev USB lahko traja dlje. To ni okvara.

Uporaba Bluetooth

Ta naprava je opremljena s funkcijo Bluetooth, s katero lahko brezžično predvaja glasbo iz druge naprave Bluetooth.

1. Nekajkrat pritisnite tipko za izbiro vira, da bi prešli na način Bluetooth. Na prikazovalniku se prikaže »BLUE-T«. Vključite funkcijo Bluetooth na zunanji napravi in začnite iskati razpoložljive naprave (seznanite se z navodili za uporabo zunanje naprave), nato preverite seznam razpoložljivih naprav Bluetooth.

2. Izberite »BP MS30.2BT« za seznanitev; po uspešni vzpostavitvi povezave z napravo Bluetooth sporočilo BLUE-T na zaslonu preneha utripati.

3. V zunanji napravi Bluetooth izberite in predvajajte glasbo. Zvok bo predvajan skozi zvočnike te naprave.
4. Pritisnite tipko prejšnji/naslednji, da bi lahko ob predvajanju izbrali prejšnji in naslednji posnetek. Pritisnite in 2 sekundi pridržite tipko za predvajanje/pavzo, da bi prekinili povezavo med napravama Bluetooth.
5. V načinu Bluetooth so na voljo naslednje funkcije: predvajanje in pavza, utišanje, korekcija zvoka in drugo. Prosimo, seznanite se z navodili za splošno uporabo naprave.
6. Dolg pritisk (3 sekunde) gumba za predvajanje/pavzo na sprednji plošči lahko prekine seznanjanje s trenutno napravo Bluetooth.

Pozor:

- a) Uspešno povezovanje z vsemi napravami Bluetooth ni zajamčeno zaradi različnih konstrukcij naprav in različnih proizvajalcev.
- b) Delovna razdalja Bluetooth znaša 10 metrov, če ni ovir.
- c) Naprava je lahko povezana in lahko deluje z eno napravo Bluetooth v istem času.
- č) Pred povezovanjem z drugo napravo prekinite trenutno povezavo Bluetooth. V nasprotnem primeru se »MS30.2BT« ne prikaže na seznamu naprav.

Uporaba digitalnih vhodov

Ta model je opremljen z digitalnim optičnim vhodom in vhodom HDMI/ARC), ki omogočata povezavo s televizijskim sprejemnikom in drugimi združljivimi zunanji napravami za predvajanje zvoka.

Optični vhod: S pomočjo optičnega kabla (ni priložen) povežite izhodno točko na televizijskem sprejemniku ali drugi napravi s optičnim vhodom na tej napravi. Nekajkrat pritisnite tipko za izbiro vhoda, da preklopite na način optičnega vhoda. Preverite in prilagodite nivo glasnosti tako na tej napravi kot na televizijskem sprejemniku ali drugi zunanji napravi, izberite in predvajajte želeno vsebino - zvok bo prihajal iz te naprave.

Vhod HDMI(ARC): Ta model podpira adapter HDMI z ARC (povratni kabel avdio); če televizijski sprejemnik ustreza standardu HDMI ARC (prosimo, preverite specifikacijo televizijskega sprejemnika, da dobite podobne informacije), možno je tudi predvajanje zvoka iz televizijskega sprejemnika preko zvočnikov te naprave. S pomočjo kabla HDMI (ni priložen) priklopite to napravo na televizijski sprejemnik, nekajkrat pritisnite tipko za izbiro vira na tej napravi, da preklopite na način HDMI oz. počakajte, da se vir po uspešnem priklopu in vklopu televizijskega sprejemnika preklopi na način HDMI. Prilagodite glasnost, izberite in predvajajte vsebino na televizijskem sprejemniku - zvok izbranega programa bo prihajal preko zvočnikov te naprave.

Pozor!

- a. V načinu predvajanja signala skozi digitalni vhod (optični in HDMI ARC) je treba na televizijskem sprejemniku ali zunanji napravi nastaviti izhod signala avdio »PCM stereo« oz. »stereo 2.0« (podrobnosti najdete v navodilih za uporabo televizijskega sprejemnika ali zunanje naprave), drugače ta naprava ne bo predvajala zvoka.
- b. Prepričajte se, da vaš televizijski sprejemnik podpira adapter HDMI ARC. Televizijski sprejemnik lahko ima več rež HDMI, zato preverite in pravilno priklopite izhodno točko HDMI ARC. Zraven vtičnice se običajno nahajajo informacije o tem, katera vtičnica podpira HDMI ARC (prosimo, preverite navodila za uporabo televizijskega sprejemnika ali njegovo specifikacijo).
- c. Ko kupujete kabel HDMI za povezavo, pazite, da izberete kabel, ki podpira standard HDMI V1.3 ali novejši, ter da izberete 19-žični kabel.
- d. V primeru pomanjkanja ali motenj izhodiščnega signala preverite zgornje nasvete in se prepričajte, da je povezava med mikro glasbenim stolpom in napravo pravilna.
- e. V načinu predvajanja signala preko digitalnega vhoda so na voljo funkcija prilagajanja glasnosti/nastavljanje korektorja/funkcija utišanja in podobne funkcije, ki se upravljajo s pomočjo daljinskega upravljalnika.

Uporaba načina LINE IN (AUX IN)

Da bi povezali in predvajali glasbo iz drugega predvajalnika oz. vira, sledite spodnjim korakom.

1. S pomočjo priloženega kabla avdio (od 3,5 mm do 3,5 mm stereo) priklopite vtičnico AUX IN (k(tip 3,5 mm stereo) na sprednjem strani glavne naprave, drugi priključek stereo 3,5 mm priklopite na linijski izhod oz. vtičnico za slušalke na zunanji napravi. S pritiskom na tipko vira izberite način AUX IN.
2. Predvajajte glasbo na zunanjem predvajalniku, zvok bo predvajan skozi zvočnike te naprave.
3. V načinu AUX IN se glavno upravljanje opravlja na zunanjem predvajalniku. Na svoji napravi lahko upravljate z glasnostjo, korekcijo EQ in utišate zvok.

Nastavitev ure in alarma (prebujanje s predvajanjem in samodejnim predvajanjem)

Naprava ima uro in alarm, ki omogoča uporabo mikro stolpa v funkciji budilke, naprava začne samodejno predvajati glasbo ob vnaprej nastavljenem času.

1. **Nastavitev časa na uri:** V načinu mirovanja pritisnite in držite nekaj sekund pritisnjeno tipko "CLOCK" na daljinskem upravljalniku, da začnete z nastavitvijo časa na uri, na zaslonu začne utripati čas; s pritiskom na tipka kanala +/- izberete 12/24 urno obliko časa, pritisnite tipko "CLOCK" na daljinskem upravljalniku za potrditev izbora; potem začnejo na zaslonu utripati številke za uro, pritisnite tipko kanala +/- za nastavitev pravilne ure in ponovno potrdite izbor; nato začnejo na zaslonu utripati minutne številke, pritisnite tipka kanala +/- za nastavitev minut ter na daljinskem upravljalniku pritisnite tipko "CLOCK", da potrdite izbiro in dokončate nastavitev časa.
2. **Nastavitev alarma:** v načinu ure pritisnite in držite nekaj sekund pritisnjeno tipko „ALARM“ na daljinskem upravljalniku, nato se na zaslonu prikaže ura alarma; pritisnite gumb za spremembo kanala + / -, da nastavite želeno uro alarma, nato pa pritisnite gumb za uro, da potrdite izbiro; zdaj nadaljujte z nastavitvijo preostalih parametrov: minute / vir alarma (FM/CD/USB)/glasnost budilke, kar je podobno nastavitvi ur alarma. Ponovno pritisnite gumb alarma, da potrdite in končate izbiro.

Opozorila:

- a. Nastavitve ure in alarma so na voljo samo, če je naprava priključena na vir napajanja. Po vsakem izpadu napajanja je treba ponovno nastaviti čas na uri uro in čas bujenja.
- b. Po uspešni nastavitvi časa alarma se na zaslonu prikaže napis "ALARM". S kratkim pritiskom tipke „ALARM“ v stanju pripravljenosti lahko izklopite nastavitve alarma.
- c. Ko se alarm sproži, začne naprava samodejno predvajati (CD/radio FM/USB). Za vklop alarma pritisnite tipko za napajanje.

Reševanje težav

1. Ni mogoče vklopiti naprave.
 - a) Preverite, ali je kabel za omrežno napajanje pravilno priključen na stensko vtičnico.
 - b) Ob težavah se obrnite na servisni center.
2. Ni zvoka.
 - a) Poskusite prilagoditi glasnost.
 - b) Preverite, ali ste izbrali ustrezen način predvajanja.
 - c) Ob težavah se obrnite na servisni center.
3. Ni mogoče predvajati zgoščenke CD:
 - a) Poskusite zamenjati in predvajati drugo zgoščenko CD z glasbo v obliki CD/CD-R-RW/MP3/WMA.
 - b) Poskusite očistiti zgoščenko CD.
 - c) Ob težavah se obrnite na servisni center.
4. Motnje v načinu FM.
 - a) Popolnoma razvijte anteno FM, poskusite prilagoditi usmerjenost antene.
 - b) Postavite napravo bližje k oknu.
 - c) Izberite drugo frekvenco.
5. Ob predvajanju Bluetooth se zvok prekinja.
 - a) Poskusite postavite napravo Bluetooth bližje k vaši napravi.
 - b) Izklopite in ponovno vklopite funkcijo Bluetooth na zunanji napravi.
6. Daljinski upravljalnik ne deluje pravilno.
 - a) Usmerite daljinski upravljalnik proti senzorju v levem kotu prikazovalnika.
 - b) Zamenjajte baterijo na novo.

Specifikacija

Vir napajanja: AC 110–240 V, 50/60 Hz
Kompatibilno s CD: CD/CD-R-RW/MP3/WMA
Frekvenca FM: 87,5–108,0 MHz
Parametri USB: 5 V, 500 mA, različica 2.0, podpirane naprave do 32 GB
Bluetooth: V5.0, delovna razdalja do 10 metrov
Vhod HDMI ARC V2.0, 1 x optični vhod.
Izhodna moč RMS: 2 x 25 W
Poraba energije: 60W total
Poraba moči v stanju pripravljenosti: < 0,5W
(Pozor: ta specifikacija se lahko spreminja brez predhodne najave)

Svarīgas drošības instrukcijas



Brīdinājums:

Lai samazinātu elektrošoka risku, nedrīkst demontēt ierīces vāku un tās aizmugurējo daļu. Ierīces iekšā nav elementu, ko lietotājs var patstāvīgi remontēt. Ierīces tehnisko apkopi un remontu var veikt tikai kvalificēti servisa centra darbinieki.

Grafisko simbolu paskaidrojums:



Zibens simbols ar bultīņu galā vienādmalu trijstūrī brīdina lietotāju par neizolētu "bīstamu spriegumu" ierīces korpusa iekšā, kas var sasniegt līmeni, radot elektrošoka risku.



Izsaukuma zīme vienādmalu trijstūrī brīdina lietotāju, ka šajā brīdī tiek sniegta svarīga informācija par ierīces lietošanu un tehnisko apkopi, kas ietverta ierīcei pievienotajā dokumentācijā.

Izlasiet šo instrukciju pirms ierīces lietošanas sākšanas, lai iepazītos ar ierīces funkcijām un izmantotu tās atbilstoši paredzētajam mērķim. Tas nodrošinās ilglaicīgu un nevainojamu ierīces darbību un patikamu lietošanu.

Svarīga informācija

- Saglabājiet lietošanas instrukciju un informāciju par drošību turpmākai izmantošanai.
- Nepieļaujiet šķidruma pilēšanu vai izliešanu uz ierīces. Ierīci nedrīkst arī lietot mitrās vietās, piemēram, vannas istabā.
- Šo ierīci nedrīkst uzstādīt šādās vietās:
 - vietās, kas pakļautas tiešai saules staru iedarbībai, vai radiatoru tuvumā;
 - novietojot to uz cita stereoaprikojuma, kas rada siltumu;
 - bloķējot ventilāciju vai putekljainā vietā;
 - vietās, kas pakļautas nepārtrauktām vibrācijām;
 - vietās ar augstu mitruma līmeni.
- Ierīci nedrīkst uzstādīt sveču vai atklātas uguns tuvumā.
- Ierīci var lietot tikai šajā instrukcijā aprakstītajā veidā.
- Pirms ierīces pirmās ieslēgšanas reizes pārliecinieties, ka barošanas bloks ir pareizi pievienots.
- Pievienojiet USB atmiņu tiešā veidā vai izmantojot 25 cm garu USB pagarinātāju.

Drošības apsvērumu nedrīkst demontēt korpusus un iekļūt ierīces iekšpusē. Ierīces remonts jāveic kvalificētam servisa centra personālam.

Neizjauciet ierīci un neatveriet tās korpusu, jo tas iekšā nav nekādu elementu, ko lietotājs var remontēt patstāvīgi. Ierīces tehnisko apkopi un remontu var veikt tikai kvalificēti servisa centra darbinieki.

DROŠĪBAS INSTRUKCIJAS

- 1. Izlasiet instrukcijas** — pirms ierīces lietošanas sākšanas izlasiet visu lietošanas instrukciju un informāciju par drošību.
- 2. Saglabājiet instrukcijas** — saglabājiet lietošanas instrukcijas turpmākai izmantošanai.
- 3. Ievērojiet brīdinājumus** — ievērojiet visus brīdinājumus, kas sniegti uz ierīces, un lietošanas instrukcijas.
- 4. Ievērojiet instrukciju** — ievērojiet lietošanas instrukciju un norādījumus lietotājam.
- 5. Uzstādīšana** — uzstādiet ierīci atbilstoši ražotāja instrukcijām.
- 6. Barošanas avoti** — ierīcei ir jābūt barotai tikai no avotiem ar parametriem, kas norādīti marķējumā uz barošanas kabeļa. Ja lietotājs nav pārliecināts, kāda veida barošanas avots ir viņa mājās, viņam ir jāsazinās ar ierīces pārdevēju vai vietējo elektroenerģijas piegādātāju.
- 7. Barošanas avota izemēšana vai polarizācija** — ierīcei nav jābūt izemētai. Pārliecinieties, ka kontaktdakša ir pilnībā ievietota elektrotīkla kontaktligzdā vai pagarinātājā, lai nepieļautu kontakttapu vai kontaktu atklāšanu. Dažas ierīces versijas var būt aprīkotas ar polarizētu mainstrāvas kontaktdakšu (ar vienu platāku kontakttapu). Šo kontaktdakšu var pievienot elektrotīkla kontaktligzdai tikai vienā veidā. Tā ir aizsardzības funkcija. Ja kontaktdakšu nav iespējams ievietot kontaktligzdā, mēģiniet to apgriezt otrādi. Ja kontaktdakša joprojām neatbilst kontaktligzdai, uzdodiet tās nomainīt elektrīķim. Nenovietojiet aizsargus no polarizētās kontaktdakšas. Izmantojot pagarinātāju vai citu barošanas vadu, kas neietilpst ierīces komplektā, tiem ir jābūt atbilstošām kontaktdakšām un drošības sertifikātam, kas nepieciešams noteiktā valstī.
- 8. Barošanas kabeļa aizsargs** — novietojiet barošanas kabeļus tā, lai nebūtu iespējams staigāt pa tiem, saspiest vai sagriezt tos ar citiem priekšmetiem. Pievērsiet īpašu uzmanību kontaktdakšām, elektrotīkla kontaktligzdām un vietām, kur kabeļi tiek izvadīti no ierīces.
- 9. Pārslodze** — nepārslogojiet sienas kontaktligzdas, pagarinātājus un elektriskos sadalītājus, jo tas var izraisīt ugunsgrēku vai elektrošoku.
- 10. Ventilācija** — ierīcei jābūt atbilstoši vēdinātai. Ierīci nedrīkst uzstādīt uz gultas, dīvāna vai līdzīgām virsmām. Ierīci nedrīkst aizseg ar galdautiem, salvetēm, avizēm utt.
- 11. Siltums** — neuzstādiet ierīci siltuma avotu, piemēram, radiatoru, sildītāju, krāšņu vai citu ierīci (tostarp pastiprinātāju), kas rada siltumu, tuvumā. Neuzstādiet aizdegta sveces un citus atklātas uguns avotus uz ierīces.
- 12. Ūdens un mitrums** — lai samazinātu ugunsgrēka vai elektrošoka risku, nepakļaujiet ierīci tiešai lietus, ūdens un mitruma iedarbībai, piemēram, pirti vai vannas istabā. Nelietojiet šo ierīci ūdens tuvumā, piemēram, vannas, izlietnes, virtuves izlietnes vai veļas tovera tuvumā, mitrā pagrabā vai pelnbāseina tuvumā (vai līdzīgās vietās).
- 13. Priekšmeti un šķidrums ierīcē** — neievietojiet nekādus priekšmetus cauri ierīces atverēm, jo tie var saskarties ar vietām zem bīstamā sprieguma un detaļām, kas var izraisīt ugunsgrēku vai elektrošoku. Nekādā gadījumā nedrīkst izliet nekādus šķidrumus uz ierīces virsmas. Uz ierīces augšpusē nedrīkst novietot priekšmetus, kas satur šķidrumus.

14. Tīrīšana — pirms ierices tīrīšanas vienmēr atvienojiet to no elektrotīkla kontaktligzdas. Putekļus ap skaļruni var ņemt ar sausu lupatīņu. Ja tīrīšanai ir jāizmanto aerosols, nevērsiet izsmidzināmo strūklu tieši pret ierīci, bet gan uz lupatīņu. Pievērsiet uzmanību tam, lai nesabojātu piedziņas vienības.

15. Papildaprīkojums — nedrīkst lietot piederumus, ko ražotājs nav apstiprinājis, jo tie var radīt risku.

16. Piederumi — ierīci nedrīkst uzstādīt uz nestabiliem ratiņiem, statīva, balsta vai galdā. Ierīce var apgāzties, sabojāties un radīt nopietnas traumas bērnam vai pieaugušajam. Izmantojiet tikai ratiņus, statīvus, balstus un galdus, ko norādījis ražotājs vai kas tiek pārdoti kopā ar ierīci. Ierices salikšana ir jāveic atbilstoši ražotāja instrukcijām, izmantojot ražotāja ieteikto montāžas komplektu.

17. Ierices pārvietošana — pārvietojiet ierīci, kas novietota uz ratiņiem, ļoti piesardzīgi. Pēkšņa apstāšanās, pārmērīgs spēks vai nelīdzsvarotība var izraisīt ratiņu ar ierices apgāšanos.

18. Ierices nelietošanas laiks — atvienojiet barošanas kabeli no elektrotīkla kontaktligzdas pērkona negaisa laikā vai ja ierīce netiks lietota ilgāku laiku.

19. Tehniskā apkope un remonts — nemēģiniet patstāvīgi veikt ierices apskati. Vāka atvēršana var izraisīt saskari ar bīstamu spriegumu un citā veidā apdraudēt lietotāju. Ierices tehnisko apkopi un remontu var veikt tikai kvalificēti servisa centra darbinieki.

20. Ja ierīce netiek lietota, atvienojiet tās kontaktakšņus no elektrotīkla kontaktligzdas. Ja ierīce ir pievienota barošanas avotam, tā ir gaidstāves režīmā un nav pilnīgi izslēgta.

21. Rezerves daļas — nomainiet ierices daļas pret jaunām, pārliecinieties, ka servisa centra darbinieks ir izmantojis ražotāja ieteiktās rezerves daļas vai ka tās ir identiskas oriģinālajām daļām. Daļas nomaina pareizi veikt, izmantojot neapstiprinātas daļas, var izraisīt ugunsgrēku, elektrošoku vai citus riskus.

22. Galvenie drošinātāji — lai nodrošinātu nepārtrauktu ierices aizsardzību pret uguni, izmantojiet drošinātājus ar atbilstošu tipu un parametriem. Drošinātāju parametri noteiktā sprieguma diapazonā ir norādīti uz ierices.

23. Nepaaugstiniet skaļumu, klausoties dziesmas fragmentu ar zemu skaļumu vai ja nav ieejas audio signāla. Pretējā gadījumā signāla intensitātes straujā paaugstināšanās var izraisīt skaļruņa bojājumu.

24. Vienīgais veids, kā pilnībā atvienot ierīci no barošanas avota, ir atvienot barošanas kabeli no barošanas kontaktligzdas vai ierices. Elektrotīkla kontaktligzdai vai barošanas kabeļa ieejai ierīcē ir vienmēr jābūt pieejamām ierices lietošanas laikā.

25. Ierīce ir jānovieto elektrotīkla kontaktligzdas vai pagarinātāja tuvumā tā, lai tie vienmēr būtu pieejami.

26. Maksimālā temperatūra ierices apkārtņē ir 35 °C.

27. Norādījumi par elektrostatiskajām izlādēm — ja ierices darbību traucē elektrostatiskās izlādes, izslēdziet ierīci un atkārtoti ieslēdziet to vai pārvietojiet ierīci citā vietā.

28. Baterija

a. Baterijas nedrīkst pakļaut pārmērīga siltuma, piemēram, saules staru, uguns un tml. iedarbībai.

b. Utilizējot baterijas, pievērsiet uzmanību apkārtējās vides aizsardzības aspektiem.

c. Bīdīnājus par bateriju lietošanu: lai novērstu baterijas noplūdi, kas var izraisīt traumas vai ierices bojājumus:

- ievietojot bateriju, ņemiet vērā tā polaritāti (+ un -);
- nedrīkst vienlaicīgi lietot dažāda veida baterijas — vecās un jaunās, standart un sārma baterijas utt.;
- izņemiet baterijas no ierices, kad tā netiek lietota ilgāku laiku.

Piezīme par ERP2 (ar enerģiju saistītām iekārtām)

Šī ekodizaina ierīce atbilst Komisijas Regulas (EK) Nr. 1275/2008, ar ko īsteno Eiropas Parlamenta un Padomes Direktīvu 2005/32/EK iestrādātās ekodizaina prasības attiecībā uz elektrisko, elektronisko mājaisaimniecības un biroja iekārtu elektroenerģijas patēriņu gatavības un izslēgtā režīmā, 2. posma prasībām.

Pēc 30 minūtēm bez ieejas audio signāla ierīce automātiski pāriet gaidstāves režīmā. Informāciju par normālas darbības atjaunošanu var atrast lietošanas instrukcijā.

Svarīga informācija

Šī ierīce ir aprīkota ar enerģijas taupīšanas režīma funkciju: ja 15 minūšu laikā tai netiek nosūtīts ieejas signāls, ierīce automātiski pāriet gaidstāves režīmā, lai taupītu enerģiju (ERP 2 standarts). Ņemiet vērā, ka zema skaļuma līmeņa iestāšana audio signāla avotā var tikt atzīta par stāvokli "nav audio signāla": tas var ietekmēt ierices spēju uztvert signālu no ierices un izraisīt automātisku pāreju gaidstāves režīmā. Šādā gadījumā ir jāatjauno audio signāla avotā vai jāpaaugstina skaļuma līmenis audio signāla avotā (MP3 atskaņotājā u. tml.), lai atsāktu atskaņošanu. Ja problēma joprojām pastāv, sazinieties ar vietējo servisa centru.

BRĪDINĀJUMS Ierīci nedrīkst lietot personas (tostarp bērni) ar samazinātām fiziskām, maņu vai garīgām spējām un personas ar nepietiekamām zināšanām un pieredzi, ja vien viņas neatrodas personas, kas atbilst par viņu drošību, uzraudzību un nav apmācītas, kā droši lietot ierīci. Pieaugušo klātbūtnē ir nepieciešama, ja ierīci lieto bērni, lai nodrošinātu drošu ierices lietošanu.

1. Neatstājiet ierīci darbības laikā bez uzraudzības! Izslēdziet ierīci, ja tā netiek lietota, pat īsu brīdi.

2. Ierīci nedrīkst apkalpot, izmantojot ārējo taimeri vai atsevišķu sistēmu ar tālvadību.

3. Lai izvairītos no riska, kas rodas barošanas kabeļa bojājuma gadījumā, tās nomaina ir jāveic ražotājam, pilnvarotam servisa centram vai citai personai ar atbilstošu kvalifikāciju.

4. Pirms ierices lietošanas sākšanas pārliecinieties, ka tās spriegums atbilst spriegumam vietējā barošanas tīklā.

5. Neaizsedziet ierices ventilācijas atveres, piemēram, ar avīzēm, galdautu, aizkariem u. tml. Pārliecinieties, ka virs ierices ir vismaz 20 cm brīvas vietas un vismaz 5 cm katrā tās pusē.

6. Nepieļaujiet šķidruma pilēšanu vai izliešanu uz ierices un nenovietojiet uz tās priekšmetus, kas piepildīti ar šķidrumiem, piemēram, vāzes.

7. Lai izvairītos no ugunsgrēka vai elektrošoka, aizsargājiet ierīci no karstām vietām, lietus, mitruma un putekļu iedarbības.

8. Novietojiet ierīci nekādā ūdens avotā, piemēram, krānu, vannu, veļas mazgājamo mašīnu vai peldbaseinu tuvumā.

Uzstādiet ierīci uz līdzsvarot un stabilas pamatnes.

9. Nepakļaujiet ierīci spēcīga magnētiskā lauka iedarbībai.

10. Nenovietojiet ierīci tieši uz pastiprinātāja vai resivera.
11. Nenovietojiet ierīci mitrā vietā, jo mitrums negatīvi ietekmē elektriskās detaļas.
12. Pēc ierīces pārvietošanas no aukstas siltā vietā vai mitrā vietā mitrums var kondensēties uz atskaņotāja lēcas. Šādā gadījumā ierīce nedarbosies pareizi. Atstājiet ierīci ieslēgtu uz aptuveni vienu stundu, lai mitrums iztvaikotu.
13. Ierīci nedrīkst tīrīt ar ķīmiskiem šķīdinātājiem, jo tie var sabojāt korpusa lakas pārklājumu. Noslaukiet ierīci ar tīru, sausu vai nedaudz samitrinātu lupatīņu.
14. Izvelkot kontaktdakšu no sienas kontaktligzdas, vienmēr velciet aiz kontaktdakšas, nevis aiz barošanas kabeļa.
15. Ja ieslēgtā ierīce tiek lietota ieslēgta televizora tuvumā, tas var radīt attēla traucējumus liniju uz ekrāna veidā. Tas ir atkarīgs no TV pārraides viļņu joslas. Tas nenozīmē, ka ierīce vai televizors darbojas nepareizi. Ja ir redzamas šādas linijas, attāliniet ierīci no televizora.
16. Elektrotīkla kontaktdakša ir paredzēta atvienošanai no barošanas sprieguma, un tai ir vienmēr jābūt pieejamai.
17. Lai izvairītos no iespējamās dzirdes zaudēšanas, neklausieties mūziku skaļi pārāk ilgi.



PIEZĪME
Deklarācija



Ar šo uzņēmums Blaupunkt Competence Center 2N-Everpol Sp. z o.o. apliecina, ka šī ierīce atbilst Direktīvas 2014/53/ES prasībām un citiem attiecīgajiem noteikumiem. Pilnu atbilstības deklarāciju var iegūt produkta cilnē tīmekļa vietnē www.blaupunkt.com.

Reģistrācijas apliecības īpašnieks: 2N-Everpol Sp. z o.o., Puławska 403A, 02-801 Warszawa, Polija, tālrunis: +48 22 688 08 00, e-pasts: info@everpol.pl



Produkts ir izgatavots no augstas kvalitātes materiāliem un sastāvdaļām, ko var nodot otrreizējai pārstrādei un izmantot atkārtoti.



Ja uz jūsu ierīces ir pārsvītrotas atkritumu tvērtnes simbols, tas nozīmē, ka uz produktu attiecas Eiropas Direktīvas 2012/19/ES noteikumi. Pamatojoties uz to, lūdzu, ievērojiet vietējos noteikumus un iepazīstieties ar prasībām, kas attiecas uz vietējo elektrisko un elektronisko atkritumu savākšanas sistēmu, un attiecībā uz šo izstrādājumu ievērojiet tās.

NEIZMETIET ŠO PRODUKTU KOPĀ SADZĪVES ATKRITUMIEM!

ŠIS PRODUKTS SATUR BĪSTAMAS VIELAS, MAISIJUMUS UN SASTĀVDAĻAS, KAS NEATĻAUTAS GADĪJUMĀ VAR BŪT IESPĒJAMĀS IETEKMES UZ DABĪGO VIDI UN CILVĒKU VESELĪBU AVOTS!

Pareiza izlietotā produkta utilizācija novērsīs negatīvu ietekmi uz vidi un cilvēku veselību.



Ierīce ir aprīkota ar baterijām, kurām piemēro Eiropas direktīvu 2006/66/EK. Baterijas nedrīkst izmest kopā ar mājāsaimniecības atkritumiem. Iepazīstieties ar vietējo tiesību aktu noteikumiem par bateriju atsevišķu savākšanu, jo to pareiza utilizācija novērs iespējamās negatīvas sekas apkārtējai videi un cilvēku veselībai.

Informācija par apkārtējās vides aizsardzību

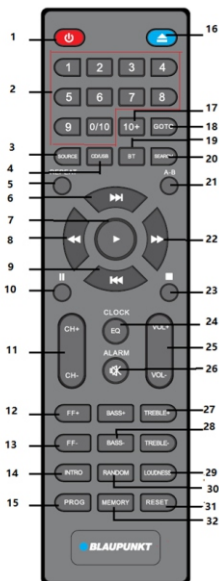
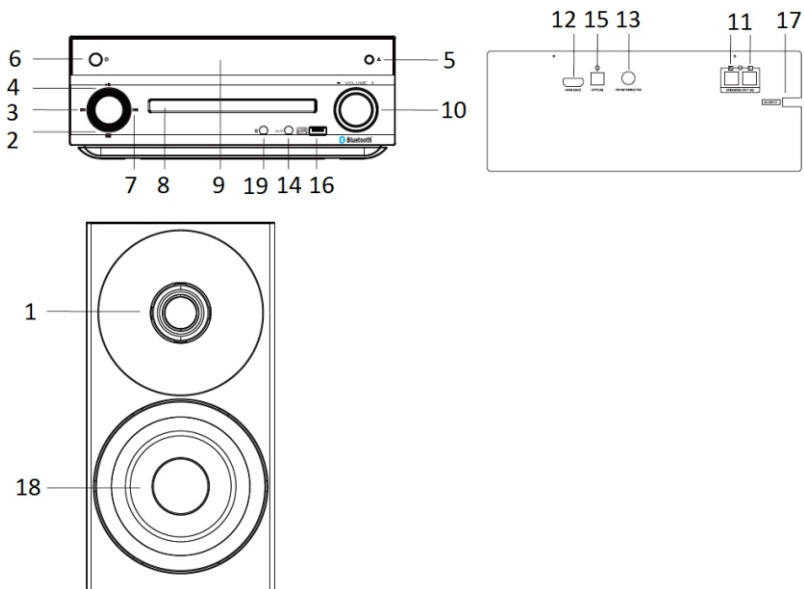
Iepakojums ietver tikai nepieciešamus elementus. Ir izdarīts viss iespējams, lai trīs materiāli, no kuriem izgatavots iepakojums, būtu viegli atdalāmi: kartons (kastīte); polistirola putas (iekšējie aizsargelementi) un polietilēns (maisiņi, aizsargplēve). Ierīce ir izgatavota no materiāliem, ko var nodot otrreizējai pārstrādei un izmantot atkārtoti pēc to demontāžas specializētā uzņēmumā. Ievērojiet vietējo tiesību aktu noteikumus par iepakojuma materiālu, nolietoto bateriju un nevajadzīgu ierīču utilizāciju. Materiālu ierakstīšanai un atskaņošanai var būt nepieciešama atļaujas iegūšana. Skatīt likumu par autortiesībām un izpildītāju/mākslinieku tiesībām.



Preču zīmju un logotipa Bluetooth® īpašnieks ir uzņēmums Bluetooth SIG, Inc. USA. Šo preču zīmju un logotipu izmantošanai ir vajadzīga licence. Citas preču zīmes un tirdzniecības nosaukumi pieder to attiecīgajiem īpašniekiem.

Paldies, ka iegādājāties mūsu izstrādājumu. Pirms sākat lietot ierīci, uzmanīgi izlasiet šo instrukciju un iepazīstieties ar to. Saglabājiet instrukciju turpmākai izmantošanai.

Vadības ierīču izvietojums



1. - Augsto frekvenču skaļrunis; 2. - Avota izvēle; 3. - Poga "Atpakaļ";
4. - Atskaņošanas/pauzes poga; 5. - CD diska atskaņotāja atvēršanas;
6. - Gatavības režīma poga; 7. - Poga "Uz priekšu";
8. - CD diska atskaņotājs; 9. - Displejs; 10. - Skaļuma regulēšanas poga;
11. - Ligzda skaļruņu pievienošanai (4 Ω); 12. - HDMI (ARC) ieeja;
13. - FM antenas ligzda, 75 omi; 14. - AUX IN ligzda; 15. - optiskā ieeja;
16. - USB pieslēgvietā; 17. - AC barošanas ieeja.
- 18 — vidējo un zemo frekvenču skaļrunis;
- 19 — austiņu izeja;

Tālvadības pults

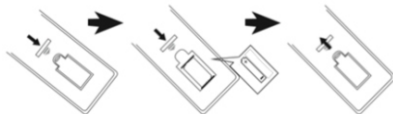
1. - Ieslēgšana/izslēgšana; 2. - Ciparu taustiņi; 3. - Avota izvēle;
4. - Poga "CD/USB";
5. - Atkārtošana (Visu dziesmu atkārtošana, vienas dziesmas atkārtošana, mapes atkārtošana, atkārtošana izslēgta); 6. - Poga "Uz priekšu"; 7. - Atskaņošana;
8. - Ātrā pārtišana atpakaļ; 9. - Poga "Atpakaļ"; 10. - Pauze; 11. - Kanāls +/-;
12. - FM+ frekvence; 13. - FM- frekvence; 14. - Funkcijas intro poga;
15. - Programmēšana; 16. - CD diska atskaņotāja atvēršana; 17. - 10+;
18. - Poga GOTO; 19. - Bluetooth; 20. - FM frekvenču meklēšana;
21. - Dziesmas A-B fragmenta atkārtošana; 22. - Ātrā pārtišana uz priekšu;
23. - Stop; 24. - Pulkstenis/EQ (Music-Game-News-Movie);
25. - Skaļums +/-; 26. - Modinātājs/skaņas izslēgšana;
27. - Soprana +/- regulēšana; 28. - Basa +/- regulēšana; 29. - Loudness;
30. - Nejaušā atskaņošana ieslēgta/izslēgta; 31. - Atiestatīšana; 32. - Atmiņa;

Skajruņu un barošanas avota pievienošana

1. Lai pievienotu skajruņus ar galvenajai vienībai, ievietojiet skajruņa kabeļa spraudni skajruņa ligzdā uz galvenās vienības korpusa aizmugurējā panelī. Pievienojiet kreiso skajruņi ligzdai, kas apzīmēta ar "L", un labo skajruņi ligzdai, kas apzīmēta ar norādi "R".
2. Pārliedzieties, ka barošanas avots atbilst nominālā sprieguma specifikācijai, kas norādīta attiecīgi uz galvenās vienības un bezvadu zemfrekvenču. Ja tas neatbilst, sazinieties ar pārdevēju vai servisa centru.
3. Pievienojiet galvenās vienības barošanas avotu kontaktligzdai. Pēc strāvas padeves iegūšanas ieslēdzas displejs un tiek parādīts laika formāts.
4. Ja sistēma netiek lietota ilgāku laiku, atvienojiet barošanas kabelus, lai pilnībā atslēgtu strāvas padevi.

Tālvadības pults bateriju uzstādīšana

Atveriet bateriju nodalījuma vāku un ievietojiet tajā divas AAA baterijas (ietilpst komplektā); pārliedzieties, ka bateriju polaritāte atbilst pozitīvajam un negatīvajam simbolam, kas iegravēts nodalījumā. Pēc tam aizveriet bateriju nodalījuma vāku.



Piezīmes:

- a. Tālvadības pults darba attālumš ir 7 metri bez šķēršļiem starp tālvadības pulti un galveno vienību. Tālvadības pults darbības laikā vēršiet to pret sensoru displeja kreisajā stūrī.
- b. Baterijām izlādējoties, tālvadības pults jutība samazinās. Nomainiet baterijas pret jaunām, lai tālvadības pults darbotos atbilstoši.
- c. Izņemiet baterijas, ja tālvadības pults netiek izmantota ilgāku laiku.
- d. Utilizējiet baterijas videi draudzīgā veidā. Iepazīstieties ar vietējo valsts iestāžu prasībām attiecībā uz utilizāciju.

Vispārīga apkalpošana

1. **Ieslēgšana/izslēgšana un gatavības režīms:** displejs iedegas pēc ierīces veiksmīgas pievienošanas maīnstrāvas barošanas avotam. Izņemiet maīnstrāvas kontaktakšus, lai pilnībā izslēgtu barošanu. Nospiediet ieslēgšanas pogu uz priekšējā panelī vai tālvadības pults, lai ieslēgtu/izslēgtu gatavības režīmu.
2. **Skaņas izslēgšana:** nospiediet pogu MUTE uz tālvadības pults, lai izslēgtu skaņu. Nospiediet to atkārtoti, lai atsāktu atskaņošanu. Atskaņošanu var arī atsākt, nospiežot skaļuma +/- pogu.
3. **Atskaņošanas režīma izvēle:** nospiediet pogu SOURCE vairākas reizes, lai pārlēgtu atskaņošanas režīmu starp CD/USB /FM/ AUX IN/Bluetooth/HDMI/optiskā ieeja. Nospiediet pogu CD/USB uz tālvadības pults, lai pārlēgtu CD un USB atskaņošanas režīmu. Nospiediet avota izvēles pogu uz priekšējā panelī, lai iegūtu tās pašas funkcijas.
4. **Skaļuma regulēšana:** nospiediet pogu VOL +/- uz tālvadības pults vai pagrieziet skaļuma grozāmo pogu uz priekšējā panelī, lai paaugstinātu vai samazinātu skaļumu.
5. **Skaņas ekvalaizers:** nospiediet pogu "EQ"; lai pārlēgtu ekvalaizera režīmu starp "Music-Game-News-Movief".
6. **Zemo un augsto frekvenču regulēšana:** nospiediet atļaidiet soprāna +/- vai basa +/- regulēšanas pogu uz tālvadības pults, lai noregulētu augsto un zemo skaņas frekvenču iestatījumu..
7. **Ciparu taustiņš 0~9 un taustiņš 10+:** ievadiet atbilstošus ciparus un pagaidiet brīdi, pēc tam ierīce atskaņo izvēlēto celiņa numuru. Nospiežot pogu 10+, var izlaist secīgas dziesmas par 10 celiņiem nesēja gadījumā, kurā ir saglabātas vairāk nekā 10 dziesmas. Šī funkcija ir pieejama CD un USB atskaņošanas režīmā.
8. **Atskaņošana, pauze un apturēšana:** nospiediet atskaņošanas un pauzes pogu CD/USB/Bluetooth režīmā, lai apturētu vai atsāktu atskaņošanu. Nospiediet apturēšanas pogu CD un USB režīmā, lai apturētu atskaņošanu, nospiediet atskaņošanas pogu, lai atsāktu mūzikas atskaņošanu.
9. **Iepriekšējā un nākamā, pārtīšana uz priekšu un atpakaļ:** nospiediet un atļaidiet pogu "Uz priekšu"/"Atpakaļ", lai pārietu uz iepriekšējās vai nākamās dziesmas atskaņošanu. Nospiediet pārtīšanas "Uz priekšu" pogu/"Atpakaļ" pogu" no tālvadības pults un turiet to nospiestu, lai ātri pārtītu pašreizējo dziesmu uz priekšu vai atpakaļ un pēc pogas atļaišanas atgrieztos pie parastās atskaņošanas
10. **Atskaņošanas atkārtošana:** vairākas reizes nospiediet atkārtošanas pogu CD un USB režīmā, lai atkārtotu vienu dziesmu, visu mapi, visa datu nesēja saturu vai izslēgtu atkārtošānu.
11. **Nejausa atskaņošana:** nospiediet nejausās atskaņošanas pogu, lai ieslēgtu vai izslēgtu nejauso atskaņošanu.
12. **CD diska ievietošana:** nospiediet CD diska atvēršanas pogu, lai to atvērtu. Ievietojiet tajā CD disku un iebīdiat atpakaļ.
13. **Loudness:** īslaicīgi nospiediet pogu, lai pastiprinātu skaņas toni.
14. **Austiņas:** pievienojiet austiņas austiņu ligzdai, kas atrodas uz priekšējā panelī, pēc austiņu pievienošanas skaņa no skajruņiem tiks izslēgta un būs pieejama tikai no austiņām. Pielāgojiet skaļumu.
15. **Atkārtot konkrētas dziesmas fragmenta atskaņošanu:** nospiediet un atļaidiet pogu "A-B" uz tālvadības pults CD/USB režīmā, lai izvēlētos izvēlētas dziesmas fragmenta sākumu, pēc tam nospiediet to atkārtoti, lai izvēlētos dziesmas fragmenta

beigas. Ierīce atkārtro noteikta dziesmas fragmenta atskaņošanu līdz brīdim, kad poga "A-B" tiek nospiesta atkārtoti, lai atceltu un atsāktu parasto atskaņošanu.

16. Sistēmas atiestatīšana: atveriet CD atskaņošanas disku CD režīmā (neaizverot to), nospiediet atiestatīšanas pogu un turiet to nospiegtu trīs sekundes, līdz uz displeja parādās "Reset", un sistēma tiek atiestatīta.

CD diska atskaņošana

Šis modelis ir aprīkots ar CD/CD-R-RW un mūzikas failiem, kas saglabāti MP3/WMA audio formātā, atskaņošanas funkciju (DVD diski netiek atskaņoti). Pirms sākat atskaņot CD disku, pārliecinieties, ka uz tā nav nekādu netirumu vai skrāpējumu, pretējā gadījumā ierīce var nenolasiēt CD disku vai atskaņošana notikt ar nevēlamām blakus skaņām.

1. Vairākas reizes nospiediet pogu "Avota izvēle" vai pogu "CD/USB" uz tālvadības pults, lai pārietu uz CD atskaņošanu.

2. Nospiediet CD diska atvēršanas pogu, lai to atvērtu. Ievietojiet tajā CD disku un iebīdīet atpakaļ. Ierīce automātiski sāk nolasīt un atskaņot CD disku.

3. Izveidojiet savu atskaņošanas sarakstu (CD diskkiem var ieprogramēt līdz 20 celiņiem un līdz 99 celiņiem diskkiem (WMA/MP3).

a. Vispirms nospiediet pogu "stop" CD atskaņošanas režīmā, pēc tam nospiediet programmēšanas pogu, lai sāktu veidot sarakstu.

b. Uz displeja parādās uzraksts "XXX PXX", nospiediet pogu "Atpakaļ"/ciparu taustiņu, lai izvēlētos dziesmu, ko vēlaties ieprogramēt, un pēc tam nospiediet programmēšanas pogu, lai apstiprinātu izvēli.

c. Pēc tam uz displeja parādās ieprogramētais celiņš un ierīce pāriet uz nākamā celiņa iestatīšanu. Piemēram, "006 P01" nozīmē, ka celiņš Nr. 6 ir ieprogramēts kā celiņš Nr. 01.

d. Atkārtotiet iepriekš aprakstītās b) un c) darbības, lai iestatītu atlikušos celiņus, līdz uz displejā parādās FULL.

e. Pēc tam nospiediet atskaņošanas pogu, lai sāktu atskaņot ieprogramēto sarakstu.

f. Lai atceltu un dzēstu ieprogramēto atskaņošanas sarakstu, divas reizes nospiediet apturēšanas pogu vai izņemiet CD disku.

4. CD diska atskaņošanas laikā ir pieejamas šādas funkcijas: atkārtošana un pauze, apturēšana, skaņas izslēgšana, nejausā atkārtošana, dziesmas izvēle, funkcija EQ, pārtīšana uz priekšu un atpakaļ, ātrā izvēle ar ciparu taustiņiem utt. Iepazīstieties ar šīs lietošanas instrukcijas daļu, kas attiecas uz vispārīgo ierīces apkalpošanu.

FM radio funkcija

Pirms sākat klausīties FM radio, pievienojiet komplektā ietilpstošo FM antenu FM ligzdai aizmugurējā panelī un pārvietojiet ierīci loga tuvumā, lai iegūtu pēc iespējas labāku FM uztveršanu.

1. Automātiskā radiostacijas skenēšana un programmēšana: vairākas reizes nospiediet avota izvēles pogu, lai atvērtu FM radio režīmu; nospiediet un atlaidiet FM frekvenču meklēšanas pogu (20 uz tālvadības pults) vai atskaņošanas/pauzes pogu (2 sekundes) uz priekšējā paneļa, lai automātiski meklētu un saglabātu pieejamās radiostacijas. Ierīce var saglabāt līdz (maks.) 40 radiostacijām. Nospiediet un atlaidiet pogu "Atpakaļ"/"Uz priekšu" uz priekšējā paneļa vai nospiediet pogu "Kanāls +/-" vai ciparu taustiņu uz tālvadības pults, lai izvēlētos ieprogramēto radiostaciju.

2. Manuālā regulēšana vai automātiskā skenēšana: nospiediet un atlaidiet pogu "FF +/-", lai paaugstinātu vai samazinātu frekvenci par 0,1 MHz; divas sekundes turiet nospiegtu pogu "FF +/-" vai pogu "Atpakaļ"/"Uz priekšu" uz priekšējā paneļa, lai automātiski ieskenētu pieejamo FM radiostaciju augšup vai lejup joslā, pēc tam skenēšana tiek apturēta un automātiski tiek atvērta pieejamā radiostacija.

3. Manuālā radiostacijas programmēšana: pēc iecienītākās radiostacijas iestatīšanas, manuāli noregulējot vai automātiski skenējot, vispirms nospiediet atmiņas pogu uz tālvadības pults, un displejā sāks mirgot radiostacijas atmiņas numura cipari, pēc tam nospiediet pogu "Kanāls +/-", lai mainītu numuru, kurā vēlaties saglabāt izvēlēto radiostaciju. Pēc tam nospiediet atmiņas pogu, lai apstiprinātu izvēli; konkrētā FM radiostacija tiek saglabāta. Atkārtotiet šo darbību, lai saglabātu nākamās radiostacijas.

4. Pāriet uz konkrēto frekvenci: vispirms nospiediet pogu GOTO uz tālvadības pults, pēc tam ievadiet noteiktu FM radiostacijas frekvenci, piemēram, 1-0-4-3, izmantojot tālvadības pults ciparu taustiņus, un pēc tam ierīce pāriet uz tās atskaņošanu.

Piezīmes: ierīce parādā tikai pieejamo ieprogramēto staciju.

USB funkcija

Ierīce ir aprīkota ar USB atskaņošanas funkciju, kas ļauj dekodēt un atskaņot mūziku no nomaināmiem USB datu nesējiem.

Pirms darbības sākšanas iekopējiet mūziku MP3/WMA formātā USB zibatmiņā. Maksimālā USB zibatmiņas ietilpība var būt līdz 32 GB.

1. Pirms sākat atskaņošanu no USB, pārliecinieties, ka USB zibatmiņa ir pareizi pievienota USB pieslēgvietai. Pēc tam pāreijiet uz USB atskaņošanas režīmu, nospiežot avota izvēles pogu vai pogu "CD/USB" uz tālvadības pults. Pēc tam ierīce veic dekodēšanu un pēc dažām sekundēm automātiski sāk atskaņot mūziku.

2. USB režīmā ir pieejamas šādas funkcijas: atskaņošana un pauze, apturēšana, skaņas izslēgšana, atkārtošana, skaņas izlīdzinātājs, pārtīšana uz priekšu un atpakaļ utt. Iepazīstieties ar šīs lietošanas instrukcijas daļu, kas attiecas uz vispārīgo ierīces apkalpošanu.

Piezīmes:

a. Nav ieteicams pievienot USB zibatmiņu, izmantojot USB pagarinājuma kabeli., jo pārsūtīšanas laikā audio datu zuduma dēļ var rasties troksņi vai skaņa var tikt pārtraukta..

b. Nav garantēta visu MP3/WMA failu dekodēšana un atskaņošana.

c. Maksimālā USB datu nesēju ietilpība ir 32 GB.

d. Dažu USB zibatmiņu dekodēšana un atskaņošana var aizņemt ilgāku laiku; ņemiet vērā, ka tas nav defekts.

Bluetooth funkcija

Šī ierīce ir aprīkota ar Bluetooth funkciju, kas ļauj atskaņot mūziku no ārējās Bluetooth ierīces bezvadu režīmā.

1. Vairākas reizes nospiediet avota izvēles pogu, lai pārietu uz Bluetooth režīmu, uz displeja parādās mirgojošs ziņojums "BLUE-T". Ieslēdziet Bluetooth funkciju ārējā ierīcē un sāciet meklēt pieejamās Bluetooth ierīces (iepažīstieties ar ārējās ierīces lietošanas instrukciju), pēc tam pārbaudiet Bluetooth ierīču, kas ir gatavas savienošanai pāri, sarakstu.
2. Izvēlieties "BP MS30.2BT" savienošanai pāri; pēc veiksmīgas savienošanas ar Bluetooth ierīci ziņojums "BLUE-T" uz displeja parstāj mirgot.
3. Izvēlieties un atskaņojiet mūziku ārējā Bluetooth ierīcē, pēc tam skaņa tiek atskaņota ar šīs ierīces skaļruņiem.
4. Nospiediet pogu "Atpakaļ"/"Uz priekšu", lai izvēlēties iepriekšējo vai nākamo celiņu atskaņošanas laikā.
5. Bluetooth režīmā ir pieejamas šādas funkcijas: atskaņošana/pauze, skaņas izslēgšana, skaņas izlīdzināšana utt. Iepažīstieties ar šīs lietošanas instrukcijas daļu, kas attiecas uz vispārīgo ierīces apkalpošanu.
6. Ilgi (3 sekundes) nospiežot atskaņošanas/pauzes pogu uz priekšējā panela, var atvienot savienošanu pāri ar pašreizējo Bluetooth ierīci.

Piezīmes:

- a. Atšķirīgu modeļu un ražotāju dēļ netiek garantēta visu Bluetooth ierīču savienošana pāri.
- b. Labākais Bluetooth darbības tālums ir 10 metri bez nekādiem šķēršļiem starp ierīcēm.
- c. Ierīce var tikt savienota pāri un darboties kopā tikai ar vienu Bluetooth ierīci.
- d. Atceliet pašreizējo Bluetooth savienojumu pirms atkārtotas savienošanas pāri ar citu ierīci, pretējā gadījumā "BP MS30.2BT" neparādās ierīces, kas ir iespējamas savienošanai pāri, sarakstā.

Ciparu ieeju apkalpošana

Šis modelis ir aprīkots ar ciparu optisko un HDMI (ARC) ieeju, kas ļauj to pievienot televizoram vai citām saderīgām ārējām ierīcēm, lai atskaņotu skaņu.

Optiskā ieeja: izmantojot optisko kabeli (neietilpst komplektā), savienojiet televizora vai citas ierīces izejas pieslēgvietu ar šī modeļa optisko ieeju. Vairākkārt nospiediet avota izvēles pogu, lai pārietu uz optiskās ieejas režīmu. Pārbaudiet un noregulējiet skaļuma līmeni gan šajā ierīcē, gan televizorā vai citā ārējā ierīcē, izvēlieties un atskaņojiet vēlamu saturu, pēc tam skaņa tiek atskaņota ar šo modeli.

HDMI (ARC) ieeja: šis modelis atbalsta HDMI savienojumu ar ARC (audio atpakaļkanāls). Ja Jūsu televizors ir saderīgs ar HDMI ARC standartu (sk. televizora specifikāciju, lai iegūtu sīkāku informāciju), var atskaņot skaņu no Jūsu televizora, izmantojot šī modeļa skaļruņus. Izmantojot HDMI kabeli (neietilpst komplektā), pievienojiet šo ierīci televizoram, vairākkārt nospiediet avota izvēles pogu šajā modelī, lai pārietu uz HDMI režīmu, vai pēc veiksmīgas savienošanas un televizora ieslēgšanas avots automātiski pārslēgsies HDMI režīmā. Noregulējiet skaļuma līmeni, izvēlieties un atskaņojiet saturu televizorā, pēc tam izvēlētā raidījuma skaņa tiek atskaņota, izmantojot šīs ierīces skaļruņus.

Uzmanību!

- a. Signāla no ciparu ieejas (optiskās un HDMI ARC) atskaņošanas režīmā iestatiet audio signāla ieeju televizorā vai ārējā ierīcē kā "PCM stereo" vai "stereo 2.0" (sīkāka informācija ir pieejama televizora vai ārējās ierīces lietošanas instrukcijā), pretējā gadījumā šīs ierīces skaņu neatskaņos.
- b. Pārliedzinieties, ka Jūsu televizors atbalsta HDMI ARC savienojumu. Televizors var būt aprīkots ar dažām HDMI pieslēgvietām. Pārbaudiet un pareizi pievienojiet HDMI ARC izejas pieslēgvietu. Parasti blakus pieslēgvietai ir informācija par to, kura pieslēgvietā atbalsta HDMI ARC standartu (sk. televizora lietošanas instrukciju vai specifikāciju).
- c. Izvēlieties un nopērciet HDMI kabeli savienojumam, pārliedzinieties, ka šis kabelis atbalsta HDMI V1.3 vai jaunāku standartu un ka tas ir 19 dzislu kabelis.
- d. Skaņas neesamības vai pārtraukta izejas signāla gadījumā rūpīgi pārbaudiet iepriekš sniegtās piezīmes un pārliedzinieties, ka savienojums starp mikro mūzikas centru un citu ierīci ir pareizs.
- e. Signāla atskaņošanas no ciparu ieejas režīmā ir iespējama skaļuma regulēšana/skaņas izlīdzinātāja iestatīšana/izslēgšana u. tml. ar vadības pultī.

LINE IN (AUX IN) režīma funkcija

Lai savienotu un atskaņotu mūziku no cita atskaņotāja vai avota, veiciet šādas darbības.

1. Izmantojot komplektā ietilpstošo audio kabeli (no 3,5 mm līdz 3,5 mm stereo), pievienojiet AUX IN ligzdu (3,5 mm stereo) uz priekšējā ierīces aizmugurējā panela, un otru 3,5 mm stereo savienotāju pievienojiet ārējā atskaņotāja lineārajai izejai vai austiņu ligzdai. Izvēlieties AUX IN režīmu, nospiežot avota izvēles pogu.
2. Atskaņojiet mūziku ārējā atskaņotājā, un skaņa tiek atskaņota ar šīs ierīces skaļruņiem.
3. Atskaņojot mūziku AUX IN režīmā galvenā kontrole tiek veikta ārējā atskaņotājā. Šajā ierīcē var kontrolēt skaļumu, skaņas izlīdzinātāju un izslēgt skaņu.

Pulksteņa un modinātāja iestatījumi (modināšana ar atskaņošanu un automātiskā atskaņošana)

Ierīce ir aprīkota ar pulksteni un signālu, kas ļauj izmantot mūzikas centru kā modinātāju. Ierīce automātiski sāk atskaņot mūziku iepriekš iestatītājā laikā.

1. Pulksteņa iestatīšana: gaidstāves režīmā nospiediet pogu "CLOCK" uz tālvadības pults un turiet to nospiestu dažas sekundes, lai sāktu iestatīt pulksteni. Uz displeja displejā sāk mirgot laika rādījums. Nospiediet pogu "Kanāls +/-", lai izvēlētos 12/24 stundu laika formātu. Nospiediet pogu CLOCK uz tālvadības pults, lai apstiprinātu izvēli, pēc tam uz ekrāna sāk mirgot stundas cipari. Nospiediet pogu "Kanāls +/-", lai iestatītu pareizo stundu, un atkārtoti nospiediet pogu CLOCK, lai apstiprinātu izvēli. Pēc tam uz ekrāna sāk mirgot minūšu cipari, nospiediet pogu "Kanāls +/-", lai iestatītu minūtes, un nospiediet pogu CLOCK uz tālvadības pults, lai apstiprinātu izvēli un pabeigtu laika iestatīšanu.

2. Modinātāja iestatīšana: pulksteņa režīmā nospiediet pogu ALARM uz tālvadības pults un turiet to nospiestu dažas sekundes, lai sāktu iestatīt modinātāju. pēc tam uz displeja parādīsies modinātāja laiks; nospiediet kanāla maiņas pogu "+/-", lai iestatītu vēlamo modinātāja laiku, un pēc tam nospiediet pulksteņa pogu, lai apstiprinātu izvēli; tagad pārejiet uz pārējo parametru iestatīšanu: minūtes/modinātāja avots (FM/CD/USB)/modināšanas skaļums, kas tiek veikts līdzīgi kā modinātāja stundu iestatīšana. Atkārtoti nospiediet modinātāja pogu, lai apstiprinātu un pabeigtu izvēli.

Piezīmes:

- a. Pulksteņa un modinātāja iestatījumi ir pieejami tikai tad, kad ierīce ir pievienota barošanas avotam. Pēc sprieguma zuduma ir atkārtoti jāiestata pulkstenis un modinātājs.
- b. Pēc pareizas modinātāja iestatīšanas uz displeja parādās signāla ikona. Nospiediet un atlaidiet pogu ALARM gaidstāves režīmā, lai izslēgtu modinātāju, atkārtoti nospiediet pogu ALARM, lai ieslēgtu modinātāju.
- c. Kad tiek aktivizēts modināšanas signāls, ierīce automātiski sāks atskaņošanu (CD/FM radio/USB). Nospiediet barošanas pogu, lai izslēgtu modinātāju.

Traucējumu novēršana

1. Ierīci nevar ieslēgt.
 - a. Pārliedzieties, ka tikla barošanas kabelis ir pareizi pievienots sienas kontaktligzdai.
 - b. Problēmu gadījumā, sazinieties ar servisa centru.
2. Nav skaņas.
 - a. Mēģiniet noregulēt skaļumu.
 - b. Pārliedzieties, ka esat izvēlējušies pareizu atskaņošanas režīmu.
 - c. Problēmu gadījumā sazinieties ar servisa centru.
3. Nevar atskaņot CD disku.
 - a. Samainiet un atskaņojiet citu CD disku CD/CD-R-RW/MP3/WMA formātā.
 - b. Mēģiniet notīrīt CD disku.
 - c. Problēmu gadījumā sazinieties ar servisa centru.
4. Troksnis FM režīmā.
 - a. Pilnībā noņemiet FM antenu un atkārtoti mēģiniet pielāgot antenas virzienu.
 - b. Pārvietojiet ierīci loga tuvumā.
 - c. Izvēlieties citu frekvenci.
5. Pārtraukta skaņa atskaņošanas Bluetooth režīmā laikā.
 - a. Mēģiniet pārvietot Bluetooth ierīci tuvāk šai ierīcei.
 - b. Mēģiniet izslēgt Bluetooth funkciju ārējā ierīcē un ieslēdziet to atkārtoti.
6. Tālvadības pults nedarbojas atbilstoši.
 - a. Pavērsiet tālvadības pulti pret sensoru displeja kreisajā pusē.
 - b. Zemas baterijas uzlādes līmeņa dēļ nomainiet to pret jaunu.

Specifikācija

Barošanas avots: AC 110–240 V, 50/60 Hz.
Saderīgs ar CD: CD/CD-R-RW/MP3/WMA
FM frekvences: 87,5–108,0 MHz
USB parametri: 5 V, 500 mA, versija 2.0, atbalstītas ierīce līdz 32 GB.
Bluetooth: V5.0, darbības attālums līdz 10 metriem.
RMS izejas jauda: 2 × 25 W
Energijas patēriņš: 60 W total
Jaudas patēriņš gatavības režīmā: < 0,5 W
(Piezīme: šī specifikācija var tikt izmainīta bez iepriekšēja paziņojuma.)

Competence Center

2N-Everpol Sp. z o.o.
ul. Puławska 403A
02-801 Warsaw, Poland
phone: +48 22 688 08 00
e-mail: info@everpol.pl
www.blaupunkt.com

W przypadku pytań lub problemów
prosimy o kontakt z naszym serwisem.
In case of questions or problems
please contact our service.
Tel. 00 48 22 688 08 33
E-mail: info@blaupunkt-audio.pl

Wszelkie prawa zastrzeżone. Wszystkie nazwy marek są zarejestrowanymi
znakami towarowymi należącymi do odpowiednich podmiotów.
Dane i parametry techniczne mogą ulec zmianie bez wcześniejszego uprzedzenia.

All rights reserved. All brand names are registered trademarks of their
respective owners. Specifications are subject to change without prior notice.

Enjoy it.