

HIKVISION
HiWatch Series



Network/Digital Video Recorder

Quick Start Guide

Legal Information

©2020 Hangzhou Hikvision Digital Technology Co., Ltd. All rights reserved.

Trademarks Acknowledgement

HIKVISION and other Hikvision's trademarks and logos are the properties of Hikvision in various jurisdictions. Other trademarks and logos mentioned below are the properties of their respective owners.

HDMI: The terms HDMI and HDMI High-Definition Multimedia Interface, and the HDMI Logo are trademarks or registered trademarks of HDMI Licensing Administrator, Inc. in the United States and other countries.

Legal Disclaimer

TO THE MAXIMUM EXTENT PERMITTED BY APPLICABLE LAW, THIS MANUAL AND THE PRODUCT DESCRIBED, WITH ITS HARDWARE, SOFTWARE AND FIRMWARE, ARE PROVIDED "AS IS" AND "WITH ALL FAULTS AND ERRORS". HIKVISION MAKES NO WARRANTIES, EXPRESS OR IMPLIED, INCLUDING WITHOUT LIMITATION, MERCHANTABILITY, SATISFACTORY QUALITY, OR FITNESS FOR A PARTICULAR PURPOSE. THE USE OF THE PRODUCT BY YOU IS AT YOUR OWN RISK. IN NO EVENT WILL HIKVISION BE LIABLE TO YOU FOR ANY SPECIAL, CONSEQUENTIAL, INCIDENTAL, OR INDIRECT DAMAGES, INCLUDING, AMONG OTHERS, DAMAGES FOR LOSS OF BUSINESS PROFITS, BUSINESS INTERRUPTION, OR LOSS OF DATA, CORRUPTION OF SYSTEMS, OR LOSS OF DOCUMENTATION, WHETHER BASED ON BREACH OF CONTRACT, TORT (INCLUDING NEGLIGENCE), PRODUCT LIABILITY, OR OTHERWISE, IN CONNECTION WITH THE USE OF THE PRODUCT, EVEN IF HIKVISION HAS BEEN ADVISED OF THE POSSIBILITY OF SUCH DAMAGES OR LOSS.

YOU ACKNOWLEDGE THAT THE NATURE OF THE INTERNET PROVIDES FOR INHERENT SECURITY RISKS, AND HIKVISION SHALL NOT TAKE ANY RESPONSIBILITIES FOR ABNORMAL OPERATION, PRIVACY LEAKAGE OR OTHER DAMAGES RESULTING FROM CYBER-ATTACK, HACKER ATTACK, VIRUS INFECTION, OR OTHER INTERNET SECURITY RISKS; HOWEVER, HIKVISION WILL PROVIDE TIMELY TECHNICAL SUPPORT IF REQUIRED.

YOU AGREE TO USE THIS PRODUCT IN COMPLIANCE WITH ALL APPLICABLE LAWS, AND YOU ARE SOLELY RESPONSIBLE FOR ENSURING THAT YOUR USE CONFORMS TO THE APPLICABLE LAW. ESPECIALLY, YOU ARE RESPONSIBLE, FOR USING THIS PRODUCT IN A MANNER THAT DOES NOT INFRINGE ON THE RIGHTS OF THIRD PARTIES, INCLUDING WITHOUT LIMITATION, RIGHTS OF PUBLICITY, INTELLECTUAL PROPERTY RIGHTS, OR DATA PROTECTION AND OTHER PRIVACY RIGHTS. YOU SHALL NOT USE THIS PRODUCT FOR ANY PROHIBITED END-USES, INCLUDING THE DEVELOPMENT OR PRODUCTION OF WEAPONS OF MASS DESTRUCTION, THE DEVELOPMENT OR PRODUCTION OF CHEMICAL OR BIOLOGICAL WEAPONS, ANY ACTIVITIES IN THE CONTEXT RELATED TO ANY NUCLEAR EXPLOSIVE OR UNSAFE NUCLEAR FUEL-CYCLE, OR IN SUPPORT OF HUMAN RIGHTS ABUSES.

IN THE EVENT OF ANY CONFLICTS BETWEEN THIS MANUAL AND THE APPLICABLE LAW, THE LATER PREVAILS.

Regulatory Information

FCC Information

Please take attention that changes or modification not expressly approved by the party responsible for compliance could void the user's authority to operate the equipment.

FCC compliance: This equipment has been tested and found to comply with the limits for a Class A digital device, pursuant to part 15 of the FCC Rules. These limits are designed to provide reasonable protection against harmful interference when the equipment is operated in a commercial environment. This equipment generates, uses, and can radiate radio frequency energy and, if not installed and used in accordance with the instruction manual, may cause harmful interference to radio communications. Operation of this equipment in a residential area is likely to cause harmful interference in which case the user will be required to correct the interference at his own expense.

FCC Conditions

This device complies with part 15 of the FCC Rules. Operation is subject to the following two conditions:

1. This device may not cause harmful interference.
2. This device must accept any interference received, including interference that may cause undesired operation.

EU Conformity Statement



This product and - if applicable - the supplied accessories too are marked with "CE" and comply therefore with the applicable harmonized European standards listed under the RED-Directive 2014/53/EU, the EMC Directive 2014/30/EU, the LVD Directive 2014/35/EU, the RoHS Directive 2011/65/EU.



2012/19/EU (WEEE directive): Products marked with this symbol cannot be disposed of as unsorted municipal waste in the European Union. For proper recycling, return this product to your local supplier upon the purchase of equivalent new equipment, or dispose of it at designated collection points. For more information see: www.recyclethis.info



2006/66/EC (battery directive): This product contains a battery that cannot be disposed of as unsorted municipal waste in the European Union. See the product documentation for specific battery information. The battery is marked with this symbol, which may include lettering to indicate cadmium (Cd), lead (Pb), or mercury (Hg). For proper recycling, return the battery to your supplier or to a designated collection point. For more information see: www.recyclethis.info

For RED-Directive 2014/53/EU, the band, power transmission (EIRP) and frequency range in EU are listed below:

Wi-Fi devices:

| Band | Power Transmission (EIRP) | Frequency Range |
|---------------|--|------------------------|
| Wi-Fi 2.4 GHz | 802.11b: 17 dBm 802.11g: 15 dBm 802.11n: 14dBm | 2.402 GHz to 2.483 GHz |

2G/3G/4G devices:

| Band | Power Transmission (EIRP) | Tx Frequency Range | Rx Frequency Range |
|--------------------|--------------------------------|--------------------------------|--------------------------------|
| 2G: GSM900/DCS1800 | GSM900: 33 dBm ± 2 dBm | GSM900: 880 to 915 MHz | GSM900: 925 to 960 MHz |
| 3G: WCDMA B1/B5/B8 | DCS1800: 30 dBm ± 2 dBm | DCS1800: 1710 to 1785 MHz | DCS1800: 1805 to 1880 MHz |
| 4G: FDD-LTE | WCDMA Band 1: 24 dBm +1/-3 dBm | WCDMA Band 1: 1920 to 1980 MHz | WCDMA Band 1: 2110 to 2170 MHz |
| B1/3/5/7/8/20 | WCDMA Band 5: 24 dBm +1/-3 dBm | WCDMA Band 5: 824 to 849 MHz | WCDMA Band 5: 869 to 894 MHz |
| TDD-LTE B38/40/41 | WCDMA Band 8: 24 dBm +1/-3 dBm | WCDMA Band 8: 880 to 915 MHz | WCDMA Band 8: 925 to 960 MHz |
| | LTE FDD Band: 23 dBm ± 2 dBm | LTE Band 1: 1920 to 1980 MHz | LTE Band 1: 2110 to 2170 MHz |
| | LTE TDD Band: 23 dBm ± 2 dBm | LTE Band 3: 1710 to 1785 MHz | LTE Band 3: 1805 to 1880 MHz |
| | | LTE Band 5: 824 to 849 MHz | LTE Band 5: 869 to 894 MHz |
| | | LTE Band 7: 2500 to 2570 MHz | LTE Band 7: 2620 to 2690 MHz |
| | | LTE Band 8: 880 to 915 MHz | LTE Band 8: 925 to 960 MHz |
| | | LTE Band 20: 832 to 862 MHz | LTE Band 20: 791 to 821 MHz |
| | | LTE Band 38: 2570 to 2620 MHz | LTE Band 38: 2570 to 2620 MHz |
| | | LTE Band 40: 2300 to 2400 MHz | LTE Band 40: 2300 to 2400 MHz |
| | | LTE Band 41: 2496 to 2690 MHz | LTE Band 41: 2496 to 2690 MHz |

Industry Canada ICES-003 Compliance

This device meets the CAN ICES-3 (B)/NMB-3(B) standards requirements.

This device complies with Industry Canada licence-exempt RSS standard(s). Operation is subject to the following two conditions:

- (1) this device may not cause interference, and
- (2) this device must accept any interference, including interference that may cause undesired operation of the device.

Le présent appareil est conforme aux CNR d'Industrie Canada applicables aux appareils radioexemptés de licence. L'exploitation est autorisée aux deux conditions suivantes :

- (1) l'appareil ne doit pas produire de brouillage, et
- (2) l'utilisateur de l'appareil doit accepter tout brouillage radioélectrique subi, même si le brouillage est susceptible d'en compromettre le fonctionnement.

Under Industry Canada regulations, this radio transmitter may only operate using an antenna of a type and maximum (or lesser) gain approved for the transmitter by Industry Canada. To reduce potential radio interference to other users, the antenna type and its gain should be so chosen that the equivalent isotropically radiated power (e.i.r.p.) is not more than that necessary for successful communication.

Conformément à la réglementation d'Industrie Canada, le présent émetteur radio peut fonctionner avec une antenne d'un type et d'un gain maximal (ou inférieur) approuvé pour l'émetteur par Industrie Canada. Dans le but de réduire les risques de brouillage radioélectrique à l'intention des autres utilisateurs, il faut choisir le type d'antenne et son gain de sorte que la

puissance isotrope rayonnée équivalente (p.i.r.e.) ne dépasse pas l'intensité nécessaire à l'établissement d'une communication satisfaisante.

This equipment should be installed and operated with a minimum distance 20cm between the radiator and your body.

Cet équipement doit être installé et utilisé à une distance minimale de 20 cm entre le radiateur et votre corps.

Safety Instructions

- Proper configuration of all passwords and other security settings is the responsibility of the installer and/or end-user.
- Firmly connect the plug to the power socket. Do not connect several devices to one power adapter. Power off the device before connecting and disconnecting accessories and peripherals.
- Shock hazard! Disconnect all power sources before maintenance.
- The equipment must be connected to an earthed mains socket-outlet.
- The socket-outlet shall be installed near the equipment and shall be easily accessible.
- ⚡ indicates hazardous live and the external wiring connected to the terminals requires installation by an instructed person.
- Never place the equipment in an unstable location. The equipment may fall, causing serious personal injury or death.
- Input voltage should meet the SELV (Safety Extra Low Voltage) and the LPS (Limited Power Source) according to the IEC62368.
- High touch current! Connect to earth before connecting to the power supply.
- If smoke, odor or noise rise from the device, turn off the power at once and unplug the power cable, and then please contact the service center.
- Use the device in conjunction with an UPS, and use factory recommended HDD if possible.
- This product contains a coin/button cell battery. If the battery is swallowed, it can cause severe internal burns in just 2 hours and can lead to death.
- This equipment is not suitable for use in locations where children are likely to be present.
- CAUTION: Risk of explosion if the battery is replaced by an incorrect type.
- Improper replacement of the battery with an incorrect type may defeat a safeguard (for example, in the case of some lithium battery types).
- Do not dispose of the battery into fire or a hot oven, or mechanically crush or cut the battery, which may result in an explosion.
- Do not leave the battery in an extremely high temperature surrounding environment, which may result in an explosion or the leakage of flammable liquid or gas.
- Do not subject the battery to extremely low air pressure, which may result in an explosion or the leakage of flammable liquid or gas.
- Dispose of used batteries according to the instructions
- Keep body parts away from fan blades and motors. Disconnect the power source during servicing.

Preventive and Cautionary Tips

Before connecting and operating your device, please be advised of the following tips:

- The device is designed for indoor use only. Install it in a well-ventilated, dust-free environment without liquids.
- Ensure recorder is properly secured to a rack or shelf. Major shocks or jolts to the recorder as a result of dropping it may cause damage to the sensitive electronics within the recorder.
- The equipment shall not be exposed to dripping or splashing and that no objects filled with liquids shall be placed on the equipment, such as vases.
- No naked flame sources, such as lighted candles, should be placed on the equipment.

- The ventilation should not be impeded by covering the ventilation openings with items, such as newspapers, table-cloths, curtains, etc. The openings shall never be blocked by placing the equipment on a bed, sofa, rug or other similar surface.
- For certain models, ensure correct wiring of the terminals for connection to an AC mains supply.
- For certain models, the equipment has been designed, when required, modified for connection to an IT power distribution system.
- Use only power supplies listed in the user manual or user instruction.
- The USB port of the equipment is used for connecting to a mouse, keyboard, USB flash drive, or Wi-Fi dongle only. The electric current of the connected equipment cannot exceed 0.1 A.
- Under high working temperature (45 °C (113 °F) to 55 °C (131 °F)), the power supply of some power adaptors may decrease.

Power Supply Instructions

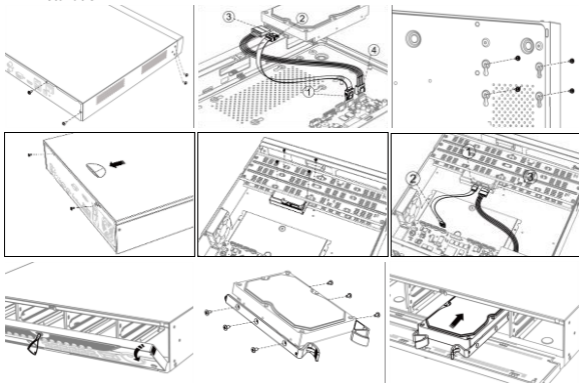
For Wi-Fi devices, use only power supplies listed in the user instructions.

| Standard | Power Supply Models | Manufacturer |
|----------|------------------------|--------------------------------------|
| European | MSA-C2000IC12.0-24P-DE | MOSO POWER SUPPLY TECHNOLOGY CO.,LTD |
| | ADS-26FSG-12 12024EPG | SHENZHEN HONOR ELECTRONIC CO.,LTD |
| British | MSA-C2000IC12.0-24P-GB | MOSO POWER SUPPLY TECHNOLOGY CO.,LTD |
| | ADS-26FSG-12 12024EPB | SHENZHEN HONOR ELECTRONIC CO.,LTD |

Note:

- The power supplies list above is for EU countries only.
- The power supplies list is subject to change without prior notice.

HDD Installation



Startup

Proper startup is crucial to expand the life of NVR/DVR.

Step 1 Plug power supply into an electrical outlet.

Step 2 Press the power button (certain models may have power button on the front or rear panel). The device begins to start.

Activate Your Device

No operation is allowed before activation. For the first-time access, it requires to set an admin password for device activation. You can also activate the device via web browser, SADP or client software.

Step 1 Enter the same password in **Create New Password** and **Confirm New Password**.

Step 2 Optionally, set reserved email, Hik-Connect, security questions, or export GUID for password resetting in the future.

Step 3 Set the password to activate the network camera(s) connected to the device.

Step 4 Click **OK** to save the password and activate the device.

Informations légales

© 2020 Hangzhou Hikvision Digital Technology Co., Ltd. Tous droits réservés.

Reconnaissance des marques de commerce

HIKVISION et d'autres marques de commerce et logos de Hikvision appartiennent à Hikvision dans divers pays. Toutes les autres marques et tous les logos mentionnés ci-après appartiennent à leurs propriétaires respectifs.

HDMI : Les termes HDMI et HDMI High-Definition Multimedia Interface, et le logo HDMI sont des marques commerciales ou des marques déposées de HDMI Licensing Administrator, Inc. aux États-Unis et dans d'autres pays.

Mentions légales

DANS LES LIMITES PRÉVUES PAR LA LOI EN VIGUEUR, LE PRODUIT DÉCRIT, AVEC SON MATÉRIEL, LOGICIEL ET MICROLOGICIEL, EST FOURNI « EN L'ÉTAT », AVEC CES FAIBLESSES ET ERREURS, ET HIKVISION N'OFFRE AUCUNE GARANTIE, EXPRESSE OU IMPLICITE, Y COMPRIS, ENTRE AUTRES, LES GARANTIES TACITES DE VALEUR MARCHANDE ET D'ADÉQUATION À UN USAGE SPÉCIFIQUE ET DE NON-VIOLATION DES DROITS DE TIERS. HIKVISION, SES DIRIGEANTS, SES CADRES, SES EMPLOYÉS OU SES AGENTS NE PEUVENT EN AUCUN CAS ÊTRE TENUS POUR RESPONSABLES DES DOMMAGES IMMATÉRIELS, ACCESSOIRES, CONSÉCUTIFS OU INDIRECTS, Y COMPRIS LE MANQUE À GAGNER, LES INTERRUPTIONS D'ACTIVITÉ, LES PERTES D'INFORMATIONS COMMERCIALES, DÉCOULANT DE L'UTILISATION DE CE PRODUIT, MÊME SI HIKVISION EST INFORMÉE DE L'ÉVENTUALITÉ DE TELS PRÉJUDICES.

VOUS RECONNAISSEZ QUE LA NATURE D'INTERNET EST SOURCE DE RISQUES DE SÉCURITÉ INHÉRENTS, ET HIKVISION SE DÉGAGE DE TOUTE RESPONSABILITÉ EN CAS DE FONCTIONNEMENT ANORMAL, DIVULGATION D'INFORMATIONS CONFIDENTIELLES OU AUTRES DOMMAGES DÉCOULANT D'UNE CYBERATTAQUE, D'UN PIRATAGE INFORMATIQUE, D'UNE INFECTION PAR DES VIRUS, OU AUTRES RISQUES DE SÉCURITÉ LIÉS À INTERNET ; TOUTEFOIS, HIKVISION FOURNIRA UNE ASSISTANCE TECHNIQUE DANS LES DÉLAIS, LE CAS ÉCHÉANT.

LES LOIS SUR LA SURVEILLANCE VARIENT EN FONCTION DE VOTRE PAYS. VEUILLEZ APPLIQUER TOUTES LES LOIS DE VOTRE PAYS AVANT D'UTILISER CE PRODUIT AFIN DE GARANTIR UN USAGE CONFORME AU REGARD DE LA LOI. HIKVISION NE SERA PAS TENUE RESPONSABLE EN CAS D'UTILISATION DE CE PRODUIT À DES FINS ILLÉGALES.

EN CAS DE CONFLIT ENTRE CE MANUEL ET LES LOIS EN VIGUEUR, CES DERNIÈRES PRÉVALENT.

Réglementation

Déclaration de conformité UE



Ce produit et, le cas échéant, les accessoires fournis portent la marque « CE » attestant leur conformité aux normes européennes harmonisées en vigueur regroupées sous la directive 2014/53/UE sur les équipements radioélectriques, la directive 2014/30/EU sur les émissions électromagnétiques, la directive 2014/35/EU sur les basses tensions et la directive RoHS 2011/65/EU.



2012/19/UE (directive DEEE) : Dans l'Union européenne, les produits portant ce pictogramme ne doivent pas être déposés dans une déchèterie municipale où le tri des déchets n'est pas pratiqué. Pour un recyclage adéquat, remettez ce produit à votre revendeur lors de l'achat d'un nouvel équipement équivalent, ou déposez-le dans un lieu de collecte prévu à cet effet. Pour plus de précisions, rendez-vous sur : www.recyclethis.info



2006/66/CE (directive sur les batteries) : Ce produit renferme une batterie qui ne doit pas être déposée dans une déchèterie municipale où le tri des déchets n'est pas pratiqué, dans l'Union européenne. Pour plus de précisions sur la batterie, reportez-vous à sa documentation. La batterie porte le pictogramme ci-contre, qui peut inclure la mention Cd (cadmium), Pb (plomb) ou Hg (mercure). Pour la recycler correctement, renvoyez la batterie à votre revendeur ou déposez-la dans un point de collecte prévu à cet effet. Pour plus de précisions, rendez-vous sur : www.recyclethis.info

Conformément à la directive 2014/53/UE sur les équipements radioélectriques, la puissance transmise (PIRE) et la gamme de fréquences dans l'EU sont énumérées ci-après :

Équipements Wi-Fi :

| Bande | Puissance transmise (PIRE) | Plage de fréquence |
|---------------|--|-----------------------|
| Wi-Fi 2,4 GHz | 802.11b : 17 dBm 802.11g : 15 dBm 802.11n : 14 dBm | 2,402 GHz à 2,483 GHz |

Équipements 2G/3G/4G :

| Bande | Puissance transmise (PIRE) | Plage de fréquence en émission | Plage de fréquence en réception |
|---|--|---|---|
| 2G : GSM900/DCS1800 | GSM900 : 33 dBm ±2 dBm DCS1800 : 30 dBm ±2 dBm | GSM900 : 880 à 915 MHz DCS1800 : 1 710 à 1 785 MHz | GSM900 : 925 à 960 MHz DCS1800 : 1 805 à 1 880 MHz |
| 3G : WCDMA B1/B5/B8 | Bande 1 WCDMA : 24 dBm +1/-3 dBm Bande 5 WCDMA : 24 dBm +1/-3 dBm Bande 8 WCDMA : 24 dBm +1/-3 dBm | Bande 1 WCDMA : 1 920 à 1 980 MHz Bande 5 WCDMA : 824 à 849 MHz Bande 8 WCDMA : 880 à 915 MHz | Bande 1 WCDMA : 2 110 à 2 170 MHz Bande 5 WCDMA : 869 à 894 MHz Bande 8 WCDMA : 925 à 960 MHz |
| 4G : FDD LTE B1/3/5/7/8/20 TDD-LTE B38/40/41 | Bande LTE FDD : 23 dBm ±2 dBm Bande LTE TDD : 23 dBm ±2 dBm | Bande 1 LTE : 1 920 à 1 980 MHz Bande 3 LTE : 1 710 à 1 785 MHz Bande 5 LTE : 824 à 849 MHz Bande 7 LTE : 2 500 à 2 570 MHz Bande 8 LTE : 880 à 915 MHz Bande 20 LTE : 832 à 862 MHz Bande 38 LTE : 2 570 à 2 620 MHz Bande 40 LTE : 2 300 à 2 400 MHz Bande 41 LTE : 2 496 à 2 690 MHz | Bande 1 LTE : 2 110 à 2 170 MHz Bande 3 LTE : 1 805 à 1 880 MHz Bande 5 LTE : 869 à 894 MHz Bande 7 LTE : 2 620 à 2 690 MHz Bande 8 LTE : 925 à 960 MHz Bande 20 LTE : 791 à 821 MHz Bande 38 LTE : 2 570 à 2 620 MHz Bande 40 LTE : 2 300 à 2 400 MHz Bande 41 LTE : 2 496 à 2 690 MHz |

Précautions d'emploi

- La responsabilité de la configuration correcte de tous les mots de passe ainsi que des autres paramètres de sécurité incombe à l'installateur ou à l'utilisateur final.
- Branchez fermement la fiche à la prise de courant. Ne branchez pas plusieurs appareils sur un même adaptateur d'alimentation. Mettez hors tension l'appareil avant de connecter et de déconnecter des accessoires et des périphériques.
- Risque de choc électrique ! Débranchez toutes les sources d'alimentation avant de procéder à l'entretien.
- L'équipement doit être branché à une prise secteur mise à la terre.
- La prise de courant doit être installée près de l'équipement et doit être facilement accessible.
- ⚡ indique une tension dangereuse. De ce fait, le câblage externe connecté aux bornes nécessite d'être installé par une personne qualifiée.
- Ne placez jamais l'équipement sur un support instable. L'équipement pourrait tomber, entraînant des blessures graves voire la mort.
- La tension d'entrée doit respecter la très basse tension de sécurité (TBTS) et la source d'alimentation limitée conformément à la norme IEC62368.
- Haut voltage ! Effectuez une mise à la terre avant de brancher l'alimentation.

- Si de la fumée, des odeurs ou du bruit sortent de l'appareil, mettez immédiatement l'appareil hors tension et débranchez le câble d'alimentation, puis veuillez contacter un centre de réparation.
- Utilisez, si possible, l'appareil conjointement à une alimentation sans coupure (onduleur), et utilisez si possible le disque dur recommandé par l'usine.
- Ce produit contient une pile bouton. Si la pile est avalée, celle-ci peut provoquer de graves brûlures internes en seulement 2 heures et entraîner la mort.
- Cet équipement n'est pas adapté à un usage dans les endroits où des enfants sont susceptibles d'être présents.
- ATTENTION : Il y a un risque d'explosion lorsque la pile est remplacée par une pile de type incorrect.
- Remplacer une pile par une pile du mauvais type peut conduire à l'annulation d'une protection (par exemple, dans le cas de certains types de batterie au lithium).
- Ne jetez pas une batterie au feu ou dans un four chaud, ni ne broyez mécaniquement ou découpez une batterie, car cela pourrait engendrer une explosion.
- Ne laissez pas une batterie dans un environnement extrêmement chaud, car vous encourez un risque d'explosion ou une fuite de liquide ou de gaz inflammable.
- N'exposez pas une batterie à des pressions atmosphériques extrêmement basses, car vous encourez un risque d'explosion ou une fuite de liquide ou de gaz inflammable.
- Éliminez les batteries usagées conformément aux instructions.
- Gardez toutes les parties du corps à bonne distance des pales du ventilateur et des moteurs. Débranchez la source d'alimentation pendant l'opération d'entretien.

Mises en garde et précautions

Avant de brancher ou d'utiliser votre appareil, veuillez considérer les mesures suivantes :

- L'appareil est exclusivement conçu pour un usage en intérieur. Installez-le dans un environnement bien ventilé, exempt de poussières et de liquides.
- Vérifiez que l'enregistreur est solidement fixé dans une baie ou sur un plateau. En cas de chocs importants ou de secousses résultant d'une chute, les composants électroniques sensibles internes de l'enregistreur peuvent être endommagés.
- L'équipement ne doit pas être exposé aux gouttes ou aux éclaboussures et aucun objet rempli de liquide, comme un vase, ne doit être placé sur l'équipement.
- Aucune source de flamme nue, telle que des bougies allumées, ne doit être placée sur l'équipement.
- La ventilation ne doit pas être entravée en couvrant les ouvertures de ventilation avec des articles tels que des journaux, des nappes, des rideaux, etc. Les ouvertures ne doivent jamais être bloquées en plaçant l'équipement sur un lit, un canapé, un tapis ou toute autre surface similaire.
- Pour certains modèles, assurez-vous d'effectuer un câblage approprié des bornes pour un branchement à une alimentation secteur.
- Pour certains modèles, l'équipement a été conçu, lorsque nécessaire, et modifié pour être connecté à un système à neutre impédant.
- Utilisez seulement les alimentations indiquées dans le manuel de l'utilisateur ou dans les instructions d'utilisation.
- Sous des températures de fonctionnement élevées (45 °C à 55 °C), la tension de l'alimentation électrique de certains adaptateurs secteur baisse.

Démarrage

L'exécution adéquate des procédures de démarrage est cruciale pour prolonger la durée de vie du NVR/DVR.

Étape 1 Branchez l'alimentation à une prise électrique.

Étape 2 Appuyez sur le bouton de mise sous tension (en fonction du modèle, le bouton de mise sous tension peut se trouver sur le panneau avant ou sur le panneau arrière). L'appareil commence à démarrer.

Activez votre appareil

Aucune opération n'est autorisée sans l'activation. Pour le premier accès, il faut définir un mot de passe administrateur pour l'activation de l'appareil. Vous pouvez également activer l'appareil via un navigateur Web, le protocole SADP ou le logiciel client.

Étape 1 Entrez le même mot de passe dans **Créer un mot de passe** et **Confirmer MDP**.

Étape 2 En option, vous pouvez également définir les courriels réservés, Hik-Connect, les questions de sécurité ou exporter le GUID pour une future réinitialisation du mot de passe.

Étape 3 Définissez le mot de passe pour activer la ou les caméras réseau connectées à l'appareil.

Étape 4 Cliquez sur **OK** pour enregistrer le mot de passe et activer l'appareil.

Rechtliche Informationen

© 2020 Hangzhou Hikvision Digital Technology Co., Ltd. Alle Rechte vorbehalten.

Marken

HIKVISION und andere Marken und Logos von Hikvision sind das Eigentum von Hikvision in verschiedenen Ländern. Andere nachstehend erwähnte Marken und Logos stehen im Besitz der entsprechenden Eigentümer.

HDMI : Die Begriffe HDMI und HDMI High-Definition Multimedia Interface sowie das HDMI-Logo sind Handelsnamen oder eingetragene Markenzeichen der HDMI Licensing Administrator, Inc. in den Vereinigten Staaten und anderen Ländern.

Haftungsausschluss

SOWEIT GESETZLICH ZULÄSSIG WIRD DAS BESCHRIEBENE PRODUKT MIT SEINER HARDWARE, SOFTWARE UND FIRMWARE OHNE MÄNGELGEWÄHR, MIT ALLEN FEHLERN UND FEHLFUNKTIONEN DELIEFERT, UND HIKVISION GIBT KEINE AUSDRÜCKLICHEN ODER IMPLIZIERTEN GARANTIE, EINSCHLIEßLICH UND OHNE EINSCHRÄNKUNG, DER MARKTFÄHIGKEIT, ZUFRIEDENSTELLENDE QUALITÄT, EIGNUNG FÜR EINEN BESTIMMTEN ZWECK UND NICHTVERLETZUNG DER RECHTE DRITTER. AUF KEINEN FALL HAFTEN HIKVISION, SEINE GESCHÄFTSFÜHRER, ANGESTELLTEN, MITARBEITER ODER PARTNER FÜR BESONDERE, ZUFÄLLIGE, DIREKTE ODER INDIREKTE SCHÄDEN, EINSCHLIEßLICH, JEDOCH NICHT DARAUf BESCHRÄNKT, VERLUST VON GESCHÄFTSGEWINNEN, GESCHÄFTSUNTERBRECHUNG ODER VERLUST VON DATEN ODER DOKUMENTATIONEN IN VERBINDUNG MIT DER VERWENDUNG DIESES PRODUKTS, SELBST WENN HIKVISION ÜBER DIE MÖGLICHKEIT DERARTIGER SCHÄDEN INFORMIERT WAR.

SIE ERKENNEN AN, DASS DIE NATUR DES INTERNETS DAMIT VERBUNDENE SICHERHEITSRISIKEN BEINHALTET. HIKVISION ÜBERNIMMT KEINE VERANTWORTUNG FÜR ANORMALEN BETRIEB, DATENVERLUST ODER ANDERE SCHÄDEN, DIE SICH AUS CYBERANGRIFFEN, HACKERANGRIFFEN, VIRUSINFESTION ODER ANDEREN SICHERHEITSRISIKEN IM INTERNET ERGEBEN. HIKVISION WIRD JEDOCH BEI BEDARF ZEITNAH TECHNISCHEN SUPPORT LEISTEN.

GESETZE ZUR ÜBERWACHUNG UNTERSCHIEDEN SICH JE NACH GERICHTSBARKEIT. ÜBERPRÜFEN SIE ALLE RELEVANTEN GESETZE IN IHRER GERICHTSBARKEIT, BEVOR SIE DIESES PRODUKT VERWENDEN, DAMIT SIE GEGEN KEINE GELTENDEN GESETZE VERSTOßEN. HIKVISION HAFTET NICHT, FALLS DIESES PRODUKT FÜR UNGESETZLICHE ZWECKE VERWENDET WIRD.

IM FALL VON WIDERSPRÜCHEN ZWISCHEN DIESER BEDIENUNGSANLEITUNG UND GELTENDEM RECHT IST LETZTERES MASSGEBLICH.

Behördliche Informationen

EU-Konformitätserklärung



Dieses Produkt und – sofern zutreffend – auch das mitgelieferte Zubehör sind mit „CE“ gekennzeichnet und entsprechen somit den geltenden harmonisierten europäischen Normen, die unter der Funkanlagenrichtlinie 2014/53/EU, der EMV-Richtlinie 2014/30/EU, der Niederspannungsrichtlinie 2014/35/EU und der RoHS-Richtlinie 2011/65/EU aufgeführt sind.



2012/19/EU (Elektroaltgeräte-Richtlinie): Produkte, die mit diesem Symbol gekennzeichnet sind, dürfen innerhalb der Europäischen Union nicht mit dem Hausmüll entsorgt werden. Für korrektes Recycling geben Sie dieses Produkt an Ihren örtlichen Fachhändler zurück oder entsorgen Sie es an einer der Sammelstellen. Für weitere Informationen siehe: www.recyclethis.info



2006/66/EC (Batterierichtlinie): Dieses Produkt enthält eine Batterie, die innerhalb der Europäischen Union nicht mit dem Hausmüll entsorgt werden darf. Siehe Produktdokumentation für spezifische Hinweise zu Batterien. Die Batterie ist mit diesem Symbol gekennzeichnet, das zusätzlich die Buchstaben Cd für Cadmium, Pb für Blei oder Hg für Quecksilber enthalten kann. Für korrektes Recycling geben Sie die Batterie an Ihren örtlichen Fachhändler zurück oder entsorgen Sie sie an einer der Sammelstellen. Für weitere Informationen siehe: www.recyclethis.info

Für die Funkanlagenrichtlinie 2014/53/EU sind nachstehend Band, Sendeleistung (EIRP) und Frequenzbereich in der EU aufgelistet:

WLAN-Geräte:

| Frequenzband | Sendeleistung (EIRP) | Frequenzbereich |
|--------------|---|-------------------------|
| WLAN 2,4 GHz | 802.11b: 17 dBm 802.11g: 15 dBm 802.11n: 14 dBm | 2,402 GHz bis 2,483 GHz |

2G/3G/4G-Geräte:

| Frequenzband | Sendeleistung (EIRP) | Tx-Frequenzbereich | Rx-Frequenzbereich |
|---------------------------|--------------------------------|---------------------------------|---------------------------------|
| 2G: GSM900/DCS1800 | GSM900: 33 dBm ± 2 dBm | GSM900: 880 bis 915 MHz | GSM900: 925 bis 960 MHz |
| 3G: WCDMA B1/B5/B8 | DCS1800: 30 dBm ± 2 dBm | DCS1800: 1710 bis 1785 MHz | DCS1800: 1805 bis 1880 MHz |
| 4G: FDD-LTE B1/3/5/7/8/20 | WCDMA Band 1: 24 dBm +1/-3 dBm | WCDMA Band 1: 1920 bis 1980 MHz | WCDMA Band 1: 2110 bis 2170 MHz |
| TDD-LTE B38/40/41 | WCDMA Band 5: 24 dBm +1/-3 dBm | WCDMA Band 5: 824 bis 849 MHz | WCDMA Band 5: 869 bis 894 MHz |
| | WCDMA Band 8: 24 dBm +1/-3 dBm | WCDMA Band 8: 880 bis 915 MHz | WCDMA Band 8: 925 bis 960 MHz |
| | LTE FDD Band: 23 dBm ± 2 dBm | LTE Band 1: 1920 bis 1980 MHz | LTE Band 1: 2110 bis 2170 MHz |
| | LTE TDD Band: 23 dBm ± 2 dBm | LTE Band 3: 1710 bis 1785 MHz | LTE Band 3: 1805 bis 1880 MHz |
| | | LTE Band 5: 824 bis 849 MHz | LTE Band 5: 869 bis 894 MHz |
| | | LTE Band 7: 2500 bis 2570 MHz | LTE Band 7: 2620 bis 2690 MHz |
| | | LTE Band 8: 880 bis 915 MHz | LTE Band 8: 925 bis 960 MHz |
| | | LTE Band 20: 832 bis 862 MHz | LTE Band 20: 791 bis 821 MHz |
| | | LTE Band 38: 2570 bis 2620 MHz | LTE Band 38: 2570 bis 2620 MHz |
| | | LTE Band 40: 2300 bis 2400 MHz | LTE Band 40: 2300 bis 2400 MHz |
| | | LTE Band 41: 2496 bis 2690 MHz | LTE Band 41: 2496 bis 2690 MHz |

Sicherheitshinweise

- Die korrekte Konfiguration aller Passwörter und anderer Sicherheitseinstellungen liegen in der Verantwortung des Installateurs und/oder Endbenutzers.
- Schließen Sie den Stecker fest an einer geeigneten Steckdose an. Schließen Sie nicht mehrere Geräte an ein Netzteil an. Schalten Sie das Gerät aus, bevor Sie Zubehörteile und Peripheriegeräte anschließen oder trennen.
- Stromschlaggefahr! Trennen Sie vor Wartungsarbeiten alle Stromquellen.
- Das Gerät muss an eine geerdete Steckdose angeschlossen werden.
- Die Steckdose sollte sich in der Nähe des Geräts befinden und muss einfach zugänglich sein.
- ⚡ weist auf eine gefährliche Spannung hin, die externe Verkabelung muss von einer Fachkraft vorgenommen werden.
- Stellen Sie das Gerät keinesfalls an einem unsicheren Ort auf. Es könnte umfallen und schwere oder sogar tödliche Verletzungen verursachen.
- Die Eingangsspannung muss SELV (Schutzkleinspannung) und LPS (Stromquelle mit begrenzter Leistung) nach IEC62368 entsprechen.

- Hoher Berührungsstrom! Vor Anschluss an die Stromversorgung erden.
- Sollten sich Rauch, Gerüche oder Geräusche in dem Gerät entwickeln, so schalten Sie es unverzüglich aus und ziehen Sie den Netzstecker; dann wenden Sie sich an den Kundendienst.
- Verwenden Sie das Gerät möglichst in Verbindung mit einer unterbrechungsfreien Stromversorgung (USV) und verwenden Sie eine vom Hersteller empfohlene Festplatte.
- Dieses Produkt enthält eine Knopfzelle. Falls die Batterie verschluckt wird, kann sie in nur 2 Stunden schwere interne Verbrennungen verursachen und zum Tod führen.
- Das Gerät ist nicht für den Einsatz an Orten geeignet, an denen sich wahrscheinlich Kinder aufhalten.
- VORSICHT: Bei Austausch der Batterie durch einen falschen Typ besteht Explosionsgefahr.
- Unsachgemäßer Austausch einer Batterie durch einen falschen Typ kann eine Schutzvorrichtung umgehen (z. B. bei einigen Lithium-Batterietypen).
- Batterien nicht durch Verbrennen, in einem heißen Ofen oder Zerkleinern oder Zerschneiden entsorgen. Das kann zu einer Explosion führen.
- Bewahren Sie Batterien nicht in einer Umgebung mit extrem hoher Temperatur auf. Das kann zu einer Explosion oder zum Auslaufen von entflammbarer Flüssigkeit oder Gas führen.
- Setzen Sie Batterien keinem extrem niedrigen Luftdruck aus. Das kann zu einer Explosion oder zum Auslaufen von entflammbarer Flüssigkeit oder Gas führen.
- Entsorgen Sie Altbatterien gemäß den Anleitungen.
- Halten Sie Körperteile von Lüfterflügeln und Motoren fern. Unterbrechen Sie die Stromversorgung während der Wartung.

Sicherheits- und Warnhinweise

Bevor Sie Ihr Gerät anschließen und in Betrieb nehmen, beachten Sie bitte die folgenden Hinweise:

- Das Gerät ist nur für die Verwendung in Innenräumen vorgesehen. Installieren Sie es in einer gut belüfteten, staubfreien und trockenen Umgebung.
- Achten Sie darauf, dass der Rekorder ordnungsgemäß in einem Baugruppenträger oder Regal montiert ist. Größere Stöße oder Erschütterungen des Rekorders durch Herunterfallen können zu Schäden an der empfindlichen Elektronik im Rekorder führen.
- Das Gerät darf nicht Tropf- oder Spritzwasser ausgesetzt werden und es dürfen keine mit Flüssigkeiten gefüllten Gegenstände, wie Vasen, auf das Gerät gestellt werden.
- Stellen Sie keine offenen Flammen (wie brennende Kerzen) auf dem Gerät ab.
- Die Belüftung darf nicht durch Abdecken der Lüftungsöffnungen mit Gegenständen behindert werden, wie z. B. Zeitungen, Tischdecken, Vorhänge usw. Die Öffnungen dürfen niemals dadurch blockiert werden, indem das Gerät auf ein Bett, Sofa, einen Teppich oder eine ähnliche Oberfläche gestellt wird.
- Bei bestimmten Modellen ist die korrekte Anschlussverdrahtung der Klemmen für den Anschluss an ein Stromnetz zu gewährleisten.
- Bei bestimmten Modellen wurden die Geräte für den Anschluss an ein IT-Stromverteilungssystem ausgelegt und bei Bedarf modifiziert.
- Verwenden Sie nur Stromversorgungen, die im Benutzerhandbuch oder in der Bedienungsanleitung aufgeführt sind.
- Bei hohen Betriebstemperaturen (45 °C bis 55 °C) kann sich die Stromversorgung einiger Netzteile verringern.

Hochfahren

Die ordnungsgemäße Inbetriebnahme ist entscheidend für die lange Lebensdauer von NVR/DVRs.

Schritt 1 Schließen Sie das Netzteil an einer Steckdose an.

Schritt 2 Drücken Sie die Ein/Aus-Taste (bei bestimmten Modellen kann sich die Ein/Aus-Taste auf der Vorder- oder Rückseite befinden). Das Gerät fährt hoch.

Gerät aktivieren

Vor der Aktivierung ist kein Betrieb möglich. Für den erstmaligen Gebrauch ist es erforderlich, ein Administrator-Passwort für die Geräteaktivierung einzurichten. Sie können das Gerät auch über einen Webbrowser, SADP oder Client-Software aktivieren.

Schritt 1 Geben Sie dasselbe Passwort in **Neues Kennwort erstellen** und **Kennwort bestätigen** ein.

Schritt 2 Richten Sie optional reservierte E-Mail, Hik-Connect und Sicherheitsfragen ein oder exportieren Sie die GUID für eine zukünftige Passwortrücksetzung.

Schritt 3 Richten Sie das Passwort ein, um die an das Gerät angeschlossene(n) Netzwerkkamera(s) zu aktivieren.

Schritt 4 Klicken Sie auf **OK**, um das Passwort zu speichern und das Gerät zu aktivieren.

Español

Información legal

© 2020 Hangzhou Hikvision Digital Technology Co., Ltd. Todos los derechos reservados.

Reconocimiento de marcas comerciales

HIKVISION y otras marcas comerciales y logotipos de Hikvision son propiedad de Hikvision en diferentes jurisdicciones. Otras marcas comerciales y logotipos mencionados a continuación son propiedad de sus respectivos propietarios.

HDMI™ : Los términos HDMI y HDMI High-Definition Multimedia Interface, y el logo HDMI son marcas comerciales o marcas registradas de HDMI Licensing Administrator, Inc. en Estados Unidos y en otros países.

Avisos legales

HASTA DONDE LO PERMITA LA LEY VIGENTE, EL PRODUCTO DESCRITO, CON SU HARDWARE, SOFTWARE Y FIRMWARE, SE ENTREGA "TAL CUAL", CON TODOS SUS FALLOS Y ERRORES, Y HIKVISION NO OFRECE GARANTÍA, NI EXPRESA NI IMPLÍCITA, INCLUYENDO, ENTRE OTRAS, LA COMERCIALIZACIÓN, CALIDAD SATISFACTORIA, IDONEIDAD PARA UN PROPÓSITO PARTICULAR Y NO INFRACCIÓN DE LOS DERECHOS DE TERCERAS PARTES. EN NINGÚN CASO HIKVISION, SUS DIRECTORES, ADMINISTRADORES, EMPLEADOS O AGENTES, SE RESPONSABILIZARÁN ANTE USTED DE CUALQUIER DAÑO ESPECIAL, CONSECUENCIAL, INCIDENTAL O INDIRECTO, INCLUYENDO, ENTRE OTROS, LOS DAÑOS POR PÉRDIDAS DE BENEFICIOS DE NEGOCIOS, INTERRUPCIÓN DE NEGOCIOS O PÉRDIDAS DE DATOS O DOCUMENTACIÓN, EN RELACIÓN CON EL USO DE ESTE PRODUCTO, INCLUSO AUNQUE HIKVISION HAYA ADVERTIDO DE LA POSIBILIDAD DE TALES DAÑOS.

USTED RECONOCE QUE LA NATURALEZA DE INTERNET IMPLICA RIESGOS DE SEGURIDAD INHERENTES Y HIKVISION NO TENDRÁ NINGUNA RESPONSABILIDAD POR EL FUNCIONAMIENTO ANORMAL, FILTRACIONES DE PRIVACIDAD U OTROS DAÑOS RESULTANTES DE ATAQUES CIBERNÉTICOS, ATAQUES DE HACKERS, INFECCIONES DE VIRUS U OTROS RIESGOS DE SEGURIDAD DE INTERNET; SIN EMBARGO, HIKVISION PROPORCIONARÁ APOYO TÉCNICO OPORTUNO DE SER NECESARIO.

LAS LEYES DE VIGILANCIA VARÍAN SEGRUN LA JURISDICCION. INFORMESE SOBRE LA LEGISLACION PERTINENTE EN SU JURISDICCION ANTES DE UTILIZAR ESTE PRODUCTO PARA ASEGURARSE DE UTILIZARLO CONFORME A LA LEGISLACION VIGENTE. HIKVISION NO SE HARÁ RESPONSABLE EN CASO DE QUE ESTE PRODUCTO SE UTILICE CON PROPÓSITOS ILEGÍTIMOS.

EN CASO DE HABER CONFLICTO ENTRE ESTE MANUAL Y LA LEGISLACION VIGENTE, ESTA ÚLTIMA PREVALECE.

Información normativa

Declaración de conformidad de la UE

Este producto y, cuando corresponda, también los accesorios suministrados tienen la marca «CE» y, por tanto, cumplen con las normas europeas armonizadas aplicables que se recogen en la Directiva 2014/53/UE sobre la comercialización de equipos radioeléctricos, la Directiva 2014/30/UE en materia de compatibilidad electromagnética, la Directiva 2014/35/UE en materia de comercialización de material eléctrico destinado a utilizarse con determinados límites de tensión y la Directiva 2011/65/UE sobre las restricciones a la utilización de determinadas sustancias peligrosas en aparatos eléctricos y electrónicos (también conocida como RoHS).

2012/19/UE (directiva RAEE, residuos de aparatos eléctricos y electromagnéticos): En la Unión Europea, los productos marcados con este símbolo no pueden ser desechados en el sistema de basura municipal sin recogida selectiva. Para un reciclaje adecuado, entregue este producto en el lugar de compra del equipo nuevo equivalente o deshágase de él en el punto de recogida designado a tal efecto. Para más información vea la página web: www.recyclethis.info

2006/66/CE (directiva sobre baterías): Este producto lleva una batería que no puede ser desechada en el sistema municipal de basuras sin recogida selectiva dentro de la Unión Europea. Consulte la documentación del producto para ver la información específica de la batería. La batería lleva marcado este símbolo, que incluye unas letras indicando si contiene cadmio (Cd), plomo (Pb), o mercurio (Hg). Para un reciclaje adecuado, entregue la batería a su vendedor o llévela al punto de recogida de basuras designado a tal efecto. Para más información vea la página web: www.recyclethis.info



Según la Directiva 2014/53/UE sobre la comercialización de equipos radioeléctricos, a continuación, se indican la transmisión de potencia (p.i.r.e.) y la gama de frecuencias en la UE:

Dispositivos wifi:

| Banda | Transmisión de potencia (p.i.r.e.) | Intervalo de frecuencias |
|-----------------|---|--------------------------|
| Wifi de 2,4 GHz | 802.11b: 17 dBm 802.11g: 15 dBm 802.11n: 14 dBm | 2,402 GHz a 2,483 GHz |

Dispositivos 2G, 3G y 4G:

| Banda | Transmisión de potencia (p.i.r.e.) | Gama de frecuencias Tx | Gama de frecuencias Rx |
|---------------------------|------------------------------------|--------------------------------|--------------------------------|
| 2G: GSM900/DCS1800 | GSM900: 33 dBm ± 2 dBm | GSM900: 880 a 915 MHz | GSM900: 925 a 960 MHz |
| 3G: WCDMA B1/B5/B8 | DCS1800: 30 dBm ± 2 dBm | DCS1800: 1710 a 1785 MHz | DCS1800: 1805 a 1880 MHz |
| 4G: FDD-LTE B1/3/5/7/8/20 | Banda WCDMA 1: 24 dBm +1/-3 dBm | Banda WCDMA 1: 1920 a 1980 MHz | Banda WCDMA 1: 2110 a 2170 MHz |
| TDD-LTE B38/40/41 | Banda WCDMA 5: 24 dBm +1/-3 dBm | Banda WCDMA 5: 824 a 849 MHz | Banda WCDMA 5: 869 a 894 MHz |
| | Banda FDD LTE: 23 dBm ± 2 dBm | Banda WCDMA 8: 880 a 915 MHz | Banda WCDMA 8: 925 a 960 MHz |
| | Banda TDD LTE: 23 dBm ± 2 dBm | Banda LTE 1: 1920 a 1980 MHz | Banda LTE 1: 2110 a 2170 MHz |
| | | Banda LTE 3: 1710 a 1785 MHz | Banda LTE 3: 1805 a 1880 MHz |
| | | Banda LTE 5: 824 a 849 MHz | Banda LTE 5: 869 a 894 MHz |
| | | Banda LTE 7: 2500 a 2570 MHz | Banda LTE 7: 2620 a 2690 MHz |
| | | Banda LTE 8: 880 a 915 MHz | Banda LTE 8: 925 a 960 MHz |
| | | Banda LTE 20: 832 a 862 MHz | Banda LTE 20: 791 a 821 MHz |
| | | Banda LTE 38: 2570 a 2620 MHz | Banda LTE 38: 2570 a 2620 MHz |
| | | Banda LTE 40: 2300 a 2400 MHz | Banda LTE 40: 2300 a 2400 MHz |
| | | Banda LTE 41: 2496 a 2690 MHz | Banda LTE 41: 2496 a 2690 MHz |

Instrucciones de seguridad

- La correcta configuración de todas las contraseñas y otros ajustes de seguridad es responsabilidad del instalador y/o del usuario final.
- Conecte con firmeza el enchufe a la toma eléctrica. No conecte varios dispositivos en un mismo adaptador de corriente. Apague el dispositivo antes de conectar y desconectar accesorios y periféricos.
- ¡Existe riesgo de descarga eléctrica! Desconecte todas las fuentes de alimentación durante el mantenimiento.
- Se debe conectar el equipo a una toma de corriente con conexión a tierra.
- La toma de corriente tiene que estar cerca del equipo y ser de fácil acceso.
- ⚡ indica la presencia de electricidad peligrosa y cables externos conectados a los terminales cuya instalación debe realizar una persona capacitada.
- Nunca coloque el equipo en un lugar inestable. El equipo podría caer y provocar graves lesiones o la muerte.
- La tensión de entrada debe cumplir tanto con las disposiciones SELV (Muy baja tensión de Seguridad) y LPS (Fuente de Alimentación Limitada) según la norma IEC62368.

- ¡Contiene alta corriente! Realice la conexión a tierra antes de conectarlo a la fuente de alimentación.
- Si hay presencia de humo, olores o ruidos procedentes del dispositivo, apague la alimentación inmediatamente y desenchufe el cable de alimentación. A continuación, contacte con el servicio técnico.
- Utilice el dispositivo con una fuente ininterrumpida de energía (SAI) y con discos duros recomendados siempre que sea posible.
- Este producto contiene una pila de botón. En caso de ingesta de la pila, podría provocar quemaduras internas graves en solo 2 horas y producir la muerte.
- Este equipo no es adecuado para utilizarlo en lugares donde pueda haber niños.
- PRECAUCIÓN: Riesgo de explosión si se reemplaza la batería por otra de tipo incorrecto.
- Una sustitución inadecuada de la batería por otra de tipo incorrecto podría inhabilitar alguna medida de protección (por ejemplo, en el caso de algunas baterías de litio).
- No arroje la batería al fuego ni la meta en un horno caliente, ni intente aplastar o cortar mecánicamente la batería, ya que podría explotar.
- No deje la batería en lugares con temperaturas extremadamente altas, ya que podría explotar o tener fugas de líquido electrolítico o gas inflamable.
- No permita que la batería quede expuesta a una presión de aire extremadamente baja, ya que podría explotar o tener fugas de líquido electrolítico o gas inflamable.
- Elimine las pilas usadas siguiendo las instrucciones.
- Mantenga las extremidades alejadas de las aspas y los motores del ventilador. Desconecte la fuente de alimentación durante los mantenimientos y reparaciones.

Consejos preventivos y cautelares

Antes de conectar y utilizar su dispositivo, tenga en cuenta los consejos siguientes:

- El dispositivo está diseñado para usar únicamente en interiores. Instálelo en un entorno bien ventilado, sin polvo ni líquidos.
- Compruebe que la grabadora esté fijada de forma segura a un bastidor o estantería. Los golpes o sacudidas fuertes sobre la grabadora como resultado de una caída podrían provocar daños en los componentes electrónicos sensibles que contiene.
- No exponga el equipo a gotas o salpicaduras ni coloque encima objetos llenos de líquido, como jarrones.
- No coloque llamas abiertas, como velas encendidas, sobre el equipo.
- No cubra las ranuras de ventilación con objetos como periódicos, manteles, cortinas, etc. que impidan la ventilación. Dichas aberturas no deben quedar bloqueadas colocando el equipo sobre una cama, sofá, alfombra u otra superficie similar.
- En ciertos modelos debe comprobar que el cableado de los terminales para la conexión con la red eléctrica CA se haya realizado correctamente.
- En ciertos modelos, el equipo ha sido diseñado, en caso necesario, con modificaciones para conectarlo a un sistema de distribución eléctrica TI.
- Utilice únicamente las fuentes de alimentación descritas en el manual del usuario o en las instrucciones.
- Sometidos a elevadas temperaturas de trabajo (de 45 °C [113 °F] a 55 °C [131 °F]), la alimentación eléctrica de algunos adaptadores de corriente puede verse reducida.

Arranque

Un arranque adecuado es fundamental para alargar la vida útil de la grabadora.

Paso 1: enchufe la fuente de alimentación a una toma eléctrica.

Paso 2: pulse el botón de encendido (algunos modelos podrían tener el botón de encendido en el panel frontal o trasero). El dispositivo empieza a encenderse.

Active el dispositivo

No es posible utilizar el dispositivo antes de activarlo. Para acceder por primera vez, es necesario establecer una contraseña de administrador para activar el dispositivo. También puede activar el dispositivo a través del navegador web, SADP o el software cliente.

Paso 1: introduzca la misma contraseña en **Crear nueva contraseña** y **Confirmar contraseña**.

Paso 2: también puede establecer el correo electrónico reservado, Hik-Connect, las preguntas de seguridad o exportar GUID para restablecer la contraseña en el futuro.

Paso 3: establezca la contraseña para activar las cámaras de red conectadas al dispositivo.

Paso 4: haga clic en **Aceptar** para guardar la contraseña y activar el dispositivo.

Informazioni legali

©2020 Hangzhou Hikvision Digital Technology Co., Ltd. - Tutti i diritti riservati.

Titolarità dei marchi

HIKVISION e gli altri marchi e loghi di Hikvision sono di proprietà di Hikvision in varie giurisdizioni. Gli altri marchi registrati e loghi menzionati di seguito appartengono ai rispettivi proprietari.

HDMI : I termini HDMI e HDMI High-Definition Multimedia Interface e il logo HDMI sono marchi o marchi registrati di HDMI Licensing Administrator, Inc. negli Stati Uniti e in altri Paesi.

Esclusione di responsabilità

NELLA MISURA CONSENTITA DALLA LEGGE VIGENTE, IL PRODOTTO DESCRITTO E I RELATIVI HARDWARE, SOFTWARE E FIRMWARE, SONO FORNITI NELLO STATO IN CUI SI TROVANO, CON TUTTI GLI EVENTUALI DIFETTI ED ERRORI, E HIKVISION NON FORNISCE ALCUNA GARANZIA, ESPLICITA O IMPLICITA, INCLUSA, IN VIA ESEMPLIFICATIVA, QUALUNQUE GARANZIA SOTTINTESA DI COMMERCIALIZZABILITÀ, QUALITÀ SODDISFACENTE O IDONEITÀ AD UNO SCOPO PARTICOLARE E DI NON VIOLAZIONE DEI DIRITTI DI TERZE PARTI. IN NESSUN CASO HIKVISION, I SUOI AMMINISTRATORI, FUNZIONARI, DIPENDENTI O AGENTI SARANNO RITENUTI RESPONSABILI DI QUALSIVOGLIA DANNO SPECIALE, CONSEGUENZIALE, ACCIDENTALE O INDIRECTO, INCLUSI, TRA GLI ALTRI, DANNI PER PERDITA O MANCATO GUADAGNO, INTERRUZIONE DELL'ATTIVITÀ, PERDITA DI DATI O DOCUMENTAZIONE, COLLEGATI ALL'USO DEL PRESENTE PRODOTTO, ANCHE QUALORA HIKVISION SIA STATA INFORMATA DELLA POSSIBILITÀ DI TALI DANNI.

L'UTENTE RICONOSCE CHE LA NATURA DI INTERNET PREVEDE RISCHI DI SICUREZZA INTRINSECHI E CHE HIKVISION DECLINA QUALSIASI RESPONSABILITÀ IN RELAZIONE A FUNZIONAMENTI ANOMALI, VIOLAZIONE DELLA RISERVATEZZA O ALTRI DANNI RISULTANTI DA ATTACCHI INFORMATICI, INFEZIONE DA VIRUS O ALTRI RISCHI LEGATI ALLA SICUREZZA SU INTERNET; TUTTAVIA, HIKVISION FORNIRÀ TEMPESTIVO SUPPORTO TECNICO, SE NECESSARIO.

LE NORMATIVE CONCERNENTI LA SORVEGLIANZA VARIANO DA UNA GIURISDIZIONE ALL'ALTRA. VERIFICARE TUTTE LE NORMATIVE APPLICABILI NELLA PROPRIA GIURISDIZIONE PRIMA DI UTILIZZARE IL PRESENTE PRODOTTO IN MODO DA GARANTIRE CHE L'USO SIA CONFORME ALLA LEGGE VIGENTE. HIKVISION NON SARÀ RESPONSABILE NEL CASO IN CUI IL PRESENTE PRODOTTO SIA UTILIZZATO PER FINI ILLECITI.

IN CASO DI CONFLITTO TRA IL PRESENTE MANUALE E LA LEGGE VIGENTE, PREVARRÀ QUEST'ULTIMA.

Informazioni sulle norme

Dichiarazione di conformità UE

Questo prodotto e gli eventuali accessori in dotazione sono contrassegnati con il marchio "CE" e sono quindi conformi alle norme europee armonizzate vigenti di cui alla Direttiva sulle apparecchiature radio RED 2014/53/UE, alla Direttiva sulla compatibilità elettromagnetica EMC 2014/30/UE, alla Direttiva sulla bassa tensione LVD 2014/35/UE e alla Direttiva sulla restrizione all'uso di sostanze pericolose RoHS 2011/65/UE.

2012/19/UE (direttiva RAEE): i prodotti contrassegnati con il presente simbolo non possono essere smaltiti come rifiuti domestici indifferenziati nell'Unione europea. Per lo smaltimento corretto, restituire il prodotto al rivenditore in occasione dell'acquisto di una nuova apparecchiatura o smaltirlo nei punti di raccolta autorizzati. Per ulteriori informazioni, visitare: www.recyclethis.info

2006/66/CE (direttiva batterie): questo prodotto contiene una batteria e non è possibile smaltirlo con i rifiuti domestici indifferenziati nell'Unione europea. Fare riferimento alla documentazione del prodotto per le informazioni specifiche sulla batteria. La batteria è contrassegnata con il presente simbolo, che potrebbe includere le sigle di cadmio (Cd), piombo (Pb) o mercurio (Hg). Per lo smaltimento corretto, restituire la batteria al rivenditore locale o smaltirla nei punti di raccolta autorizzati. Per ulteriori informazioni, visitare: www.recyclethis.info

In base alla Direttiva sulle apparecchiature radio RED 2014/53/UE, la banda, la trasmissione di potenza (EIRP) e la gamma di frequenza nell'UE sono elencate di seguito:

Dispositivi Wi-Fi:

| Banda | Trasmissione di potenza (EIRP) | Gamma di frequenza |
|-----------------|---|--------------------------|
| Wi-Fi a 2,4 GHz | 802.11b: 17 dBm 802.11g: 15 dBm 802.11n: 14 dBm | Da 2,402 GHz a 2,483 GHz |

Dispositivi 2G/3G/4G:

| Banda | Trasmissione di potenza (EIRP) | Gamma di frequenza Tx | Gamma di frequenza Rx |
|---------------------------|---------------------------------|-----------------------------------|-----------------------------------|
| 2G: GSM900/DCS1800 | GSM900: 33 dBm ± 2 dBm | GSM900: Da 880 a 915 MHz | GSM900: Da 925 a 960 MHz |
| 3G: WCDMA B1/B5/B8 | DCS1800: 30 dBm ± 2 dBm | DCS1800: Da 1710 a 1785 MHz | DCS1800: Da 1805 a 1880 MHz |
| 4G: FDD-LTE B1/3/5/7/8/20 | Banda 1 WCDMA: 24 dBm +1/-3 dBm | Banda 1 WCDMA: Da 1920 a 1980 MHz | Banda 1 WCDMA: Da 2110 a 2170 MHz |
| TDD-LTE B38/40/41 | Banda 5 WCDMA: 24 dBm +1/-3 dBm | Banda 5 WCDMA: Da 824 a 849 MHz | Banda 5 WCDMA: Da 869 a 894 MHz |
| | Banda 8 WCDMA: 24 dBm +1/-3 dBm | Banda 8 WCDMA: Da 880 a 915 MHz | Banda 8 WCDMA: Da 925 a 960 MHz |
| | Banda LTE FDD: 23 dBm ± 2 dBm | Banda 1 LTE: Da 1920 a 1980 MHz | Banda 1 LTE: Da 2110 a 2170 MHz |
| | Banda LTE TDD: 23 dBm ± 2 dBm | Banda 3 LTE: Da 1710 a 1785 MHz | Banda 3 LTE: Da 1805 a 1880 MHz |
| | | Banda 5 LTE: Da 824 a 849 MHz | Banda 5 LTE: Da 869 a 894 MHz |
| | | Banda 7 LTE: Da 2500 a 2570 MHz | Banda 7 LTE: Da 2620 a 2690 MHz |
| | | Banda 8 LTE: Da 880 a 915 MHz | Banda 8 LTE: Da 925 a 960 MHz |
| | | Banda 20 LTE: Da 832 a 862 MHz | Banda 20 LTE: Da 791 a 821 MHz |
| | | Banda 38 LTE: Da 2570 a 2620 MHz | Banda 38 LTE: Da 2570 a 2620 MHz |
| | | Banda 40 LTE: Da 2300 a 2400 MHz | Banda 40 LTE: Da 2300 a 2400 MHz |
| | | Banda 41 LTE: Da 2496 a 2690 MHz | Banda 41 LTE: Da 2496 a 2690 MHz |

Istruzioni per la sicurezza

- Rientra nella responsabilità dell'installatore e/o dell'utente finale configurare correttamente le password e tutti i parametri di sicurezza.
- Collegare correttamente la spina alla presa di corrente. Non collegare più dispositivi allo stesso alimentatore. Prima di collegare e scollegare accessori e periferiche, spegnere il dispositivo.
- Pericolo di scosse elettriche! Prima della manutenzione, scollegare le alimentazioni elettriche.
- L'attrezzatura deve essere collegata a una presa di corrente dotata di messa a terra.
- La presa elettrica deve essere installata vicino all'attrezzatura ed essere facilmente accessibile.
- ⚡ indica il rischio di scosse elettriche e che il cablaggio esterno connesso ai terminali deve essere installato da personale competente.
- Non collocare mai l'attrezzatura in una posizione instabile. L'attrezzatura potrebbe cadere, causando lesioni personali gravi e anche mortali.
- La tensione in ingresso deve essere conforme ai requisiti SELV (bassissima tensione di sicurezza) e LPS (alimentazione limitata) ai sensi della norma IEC62368.
- Elevata corrente di contatto! Prima di collegare l'alimentazione, dotare il dispositivo di messa a terra.

- Se il dispositivo emana fumo, odori o rumori, spegnere l'alimentazione e scollegare il cavo di alimentazione, quindi rivolgersi al centro assistenza.
- Utilizzare il dispositivo insieme a un gruppo di continuità (UPS) e, se possibile, usare l'HDD consigliato dal produttore.
- Questo prodotto contiene una batteria a bottone. Se ingerita, la batteria può causare gravi ustioni interne in sole 2 ore e portare alla morte.
- Si sconsiglia l'utilizzo dell'attrezzatura in ambienti in cui possono essere presenti bambini.
- **ATTENZIONE:** Rischio di esplosione se la batteria viene sostituita con una di tipo non corretto.
- La sostituzione della batteria con una di tipo non idoneo può impedire il corretto funzionamento dei sistemi di sicurezza (ad esempio con alcuni tipi di batterie al litio).
- Non gettare le batterie nel fuoco o in un forno caldo ed evitare di schiacciarle o tagliarle, per prevenire il rischio di esplosioni.
- Le batterie esposte a temperature ambientali eccessive possono esplodere o subire perdite di liquidi o gas infiammabili.
- Le batterie sottoposte a una pressione atmosferica estremamente bassa possono esplodere o subire perdite di liquidi o gas infiammabili.
- Smaltire le batterie usate nel rispetto delle istruzioni.
- Tenere il proprio corpo lontano dalle pale e dai motori delle ventole. Scollegare l'alimentazione elettrica durante la manutenzione.

Suggerimenti preventivi e precauzionali

Prima di collegare ed utilizzare il dispositivo, tenere presenti i seguenti suggerimenti:

- Il dispositivo è progettato per essere utilizzato solo all'interno. Installarlo in un ambiente ben ventilato, privo di polvere e lontano dai liquidi.
- Accertarsi che il registratore sia saldamente assicurato a uno scaffale o una mensola. Urti o impatti gravi sul registratore possono provocarne la caduta, causando danni ai componenti elettronici sensibili all'interno del registratore.
- L'attrezzatura non deve essere esposta a schizzi o gocciolamenti di liquidi; allo stesso modo, non si devono poggiare sull'attrezzatura oggetti contenenti liquidi, ad esempio vasi.
- Non collocare sull'attrezzatura sorgenti di fiamme libere, quali candele accese.
- Non ostacolare la ventilazione ostruendo le feritoie con oggetti quali giornali, tovaglie, tende ecc. Le feritoie di ventilazione non devono mai essere bloccate, neanche appoggiando l'attrezzatura su letti, divani, tappeti o altre superfici simili.
- Per alcuni modelli, verificare il corretto cablaggio dei terminali prima di effettuare la connessione all'alimentazione CA.
- Per alcuni modelli, l'attrezzatura è stata progettata per poter essere modificata, in caso di necessità, per il collegamento a un sistema di alimentazione elettrica IT.
- Utilizzare solo l'alimentazione indicata nel manuale o nelle istruzioni per l'uso.
- A temperature di lavoro elevate (da 45 °C a 55 °C), l'alimentazione di alcuni adattatori potrebbe diminuire.

Avvio

È fondamentale eseguire correttamente l'avvio, per garantire una lunga durata del NVR/DVR.

Passo 1: Collegare l'alimentazione alla presa elettrica.

Passo 2: Premere l'interruttore di alimentazione (su alcuni modelli potrebbe essere posizionato sul pannello anteriore o posteriore). Il dispositivo comincia ad avviarsi.

Attivazione del dispositivo

Non è possibile eseguire alcuna operazione prima dell'attivazione. Per il primo accesso, occorre attivare il dispositivo impostando una password per l'amministratore. È possibile attivare il dispositivo anche tramite browser web, SADP o software client.

Passo 1: Inserir a mesma password nei campi **Crea nuova password** e **Conf.Password**.

Passo 2: (Facoltativo) Impostare una e-mail privata, Hik-Connect, domande di sicurezza, o esportare il GUID per la reimpostazione della password in un momento successivo.

Passo 3: Impostare la password per attivare le telecamere di rete collegate al dispositivo.

Passo 4: Fare clic su **OK** per salvare la password e attivare il dispositivo.

Informação legal

©2020 Hangzhou Hikvision Digital Technology Co., Ltd. Todos os direitos reservados.

Reconhecimento de marcas comerciais

HIKVISION e outros logótipos e marcas comerciais da Hikvision são propriedade da Hikvision em vários territórios. Outras marcas comerciais e logótipos abaixo mencionados são propriedade dos respetivos proprietários.

HDMI : Os termos HDMI e HDMI High-Definition Multimedia Interface, e o logotipo HDMI são marcas comerciais ou marcas registadas da HDMI Licensing Administrator, Inc. nos Estados Unidos da América e noutros países.

Exclusão de responsabilidade legal

NA EXTENSÃO MÁXIMA PERMITIDA PELA LEI APLICÁVEL, O PRODUTO DESCRITO, COM SEU HARDWARE, SOFTWARE E FIRMWARE, É FORNECIDO "TAL COMO ESTÁ", COM TODOS OS DEFEITOS E ERROS, E A HIKVISION NÃO OFERECE QUAISQUER GARANTIAS, IMPLÍCITAS OU EXPLÍCITAS, INCLUINDO, SEM LIMITAÇÃO, A COMERCIALIZAÇÃO, A QUALIDADE SATISFATORIA, A ADEQUAÇÃO A UM DETERMINADO PROPÓSITO E A NÃO VIOLAÇÃO DE TERCEIROS. EM CASO ALGUM A HIKVISION, OS SEUS DIRETORES, ADMINISTRADORES, FUNCIONÁRIOS OU AGENTES SERÃO RESPONSABILIZADOS POR PARTE DO UTILIZADOR EM RELAÇÃO A QUAISQUER DANOS ESPECIAIS, SUBSEQUENTES, ACIDENTAIS OU INDIRETOS, INCLUINDO, ENTRE OUTROS, DANOS POR PERDA DE RENDIMENTOS DE NEGÓCIOS, INTERRUPÇÃO DE NEGÓCIOS OU PERDA DE DADOS OU DOCUMENTOS RELACIONADOS COM A UTILIZAÇÃO DESTES PRODUTOS, AINDA QUE A HIKVISION TENHA SIDO NOTIFICADA DA POSSIBILIDADE DE TAIS DANOS.

O UTILIZADOR RECONHECE QUE A NATUREZA DA INTERNET OFERECE RISCOS DE SEGURANÇA INERENTES E QUE A HIKVISION NÃO SERÁ RESPONSABILIZADA POR UM FUNCIONAMENTO ANORMAL, PERDA DE PRIVACIDADE OU OUTROS DANOS RESULTANTES DE ATAQUES INFORMÁTICOS, ATAQUES DE PIRATARIA, INFECÇÃO POR VÍRUS OU OUTROS RISCOS ASSOCIADOS À SEGURANÇA DA INTERNET. NO ENTANTO, A HIKVISION PRESTARÁ APOIO TÉCNICO ATEMPADO, SE SOLICITADO.

A LEGISLAÇÃO RELATIVA À VIGILÂNCIA VARIA CONSOANTE O TERRITÓRIO EM QUESTÃO. CONSULTE TODAS AS LEIS RELEVANTES NO SEU TERRITÓRIO ANTES DE UTILIZAR ESTE PRODUTO DE FORMA A GARANTIR QUE O UTILIZA DE ACORDO COM A LEGISLAÇÃO APLICÁVEL. A HIKVISION NÃO SERÁ RESPONSABILIZADA CASO ESTE PRODUTO SEJA UTILIZADO DE FORMA ILEGAL.

NA EVENTUALIDADE DA OCORRÊNCIA DE ALGUM CONFLITO ENTRE ESTE MANUAL E A LEGISLAÇÃO APLICÁVEL, ESTA ÚLTIMA PREVALECE.

Informações sobre as normas reguladoras

Declaração de conformidade da UE



Este produto e, se aplicável, os acessórios fornecidos com o mesmo, têm a marcação "CE" e estão, por isso, em conformidade com os padrões europeus aplicáveis, indicados na diretiva 2014/53/UE, na diretiva 2014/30/UE, na diretiva 2014/35/UE e na diretiva 2011/65/UE.



2012/19/UE (Diretiva REEE): Os produtos com este símbolo não podem ser eliminados como resíduos urbanos indiferenciados na União Europeia. Para uma reciclagem adequada, devolva este produto ao seu fornecedor local quando adquirir um novo equipamento equivalente ou elimine-o através dos pontos de recolha adequados. Para obter mais informações consulte: www.recyclethis.info



2006/66/CE (diretiva relativa a baterias): Este produto contém uma bateria que não pode ser eliminada como resíduo urbano indiferenciado na União Europeia. Consulte a documentação do produto para obter informações específicas acerca da bateria. A bateria está marcada com este símbolo, que poderá incluir inscrições para indicar a presença de cádmio (Cd), chumbo (Pb), ou mercúrio (Hg). Para reciclar o produto de forma adequada, devolva a bateria ao seu fornecedor ou coloque-a num ponto de recolha apropriado. Para obter mais informações consulte: www.recyclethis.info

Nos termos da Diretiva 2014/53/UE, relativa à harmonização da legislação dos Estados-Membros respeitante à disponibilização de equipamentos de rádio no mercado, a banda, potência transmitida e frequência na UE são indicados abaixo:

Dispositivos Wi-Fi:

| Banda | Potência equivalente radiada isotropicamente (EIRP) | Amplitude de frequência |
|------------------|--|-------------------------|
| Wi-Fi de 2,4 GHz | 802.11b: 17 dBm 802.11 g: 15 dBm 802.11n: 14 dBm | 2,402 GHz a 2,483 GHz |

| Banda | Potência equivalente radiada isotropicamente (EIRP) | Amplitude de frequência Tx | Amplitude de frequência Rx |
|--|--|---|---|
| 2G: GSM900/DCS1800 3G: WCDMA B1/B5/B8 4G: FDD-LTE B1/3/5/7/8/20 TDD-LTE B38/40/41 | GSM900: 33 dBm ± 2 dBm DCS1800: 30 dBm ± 2 dBm Banda WCDMA 1: 24 dBm +1/-3 dBm Banda WCDMA 5: 24 dBm +1/-3 dBm Banda WCDMA 8: 24 dBm +1/-3 dBm Banda LTE FDD: 23 dBm ± 2 dBm Banda LTE TDD: 23 dBm ± 2 dBm | GSM900: 880 a 915 MHz DCS1800: 1710 a 1785 MHz Banda WCDMA 1: 1920 a 1980 MHz Banda WCDMA 5: 824 a 849 MHz Banda WCDMA 8: 880 a 915 MHz Banda LTE 1: 1920 a 1980 MHz Banda LTE 3: 1710 a 1785 MHz Banda LTE 5: 824 a 849 MHz Banda LTE 7: 2500 a 2570 MHz Banda LTE 8: 880 a 915 MHz Banda LTE 20: 832 a 862 MHz Banda LTE 38: 2570 a 2620 MHz Banda LTE 40: 2300 a 2400 MHz Banda LTE 41: 2496 a 2690 MHz | GSM900: 925 a 960 MHz DCS1800: 1805 a 1880 MHz Banda WCDMA 1: 2110 a 2170 MHz Banda WCDMA 5: 869 a 894 MHz Banda WCDMA 8: 925 a 960 MHz Banda LTE 1: 2110 a 2170 MHz Banda LTE 3: 1805 a 1880 MHz Banda LTE 5: 869 a 894 MHz Banda LTE 7: 2620 a 2690 MHz Banda LTE 8: 925 a 960 MHz Banda LTE 20: 791 a 821 MHz Banda LTE 38: 2570 a 2620 MHz Banda LTE 40: 2300 a 2400 MHz Banda LTE 41: 2496 a 2690 MHz |

Instruções de segurança

- A configuração adequada de todas as palavras-passe e outras definições de segurança é da responsabilidade do instalador e/ou utilizador final.
- Ligue firmemente a ficha à tomada elétrica. Não ligue vários dispositivos a um adaptador de alimentação. Desligue o dispositivo antes de ligar e desligar os acessórios e periféricos.
- Cuidado, perigo de choque! Desligue todas as fontes de alimentação antes da manutenção.
- O equipamento deve ser ligado a uma tomada de alimentação com ligação à terra.
- A tomada deverá estar instalada perto do equipamento e ser facilmente acessível.
- ⚡ indica partes perigosas e sob tensão e que a cablagem externa ligada aos terminais necessita de ser instalada por uma pessoa com formação nessa área.
- Não coloque o equipamento num local instável. O equipamento pode cair e causar lesões corporais graves ou morte.
- A tensão de entrada deve estar em conformidade com a SELV (Muito baixa tensão de segurança) e com a LPS (Fonte de energia limitada) de acordo com a norma IEC62368.
- Corrente de fuga alta! Ligue à terra antes de ligar à fonte de alimentação.
- Se o dispositivo deitar fumo ou emitir odores ou ruídos, desligue-o de imediato, retire o cabo de alimentação e contacte o centro de assistência.
- Utilize o dispositivo juntamente com uma UPS e, se possível, utilize um HDD recomendado pelo fabricante.
- Este produto inclui uma pilha-moeda/pilha-botão. Se a pilha for engolida, pode provocar queimaduras internas graves em apenas duas horas e levar à morte.

- Este equipamento não se adequa a utilização em locais onde a presença de crianças seja provável.
- **ADVERTÊNCIA:** Existe risco de explosão se a bateria for substituída por outra de tipo incorreto.
- A substituição incorreta da bateria por outra de tipo incorreto pode destruir uma proteção (por exemplo, no caso de alguns tipos de bateria de lítio);
- Não proceda à eliminação da bateria numa fogueira ou forno quente, ou mediante esmagamento ou corte mecânico da mesma pois tal pode resultar numa explosão.
- Não deixe a bateria num ambiente com temperaturas extremamente elevadas pois tal pode resultar numa explosão ou na fuga de líquido inflamável ou gás.
- Não sujeite a bateria a pressão de ar extremamente baixa pois tal poderá resultar numa explosão de líquido inflamável ou gás.
- Deite as pilhas fora de acordo com as instruções.
- Mantenha o corpo longe das pás dos ventiladores e dos motores. Desligue a fonte de alimentação durante as operações de manutenção.

Medidas preventivas e de precaução

Antes de ligar e operar o seu dispositivo tenha em conta as seguintes medidas:

- O dispositivo é indicado apenas para uso em espaços interiores. Instale-o num ambiente bem ventilado, sem poeiras e sem líquidos.
- Certifique-se de que o gravador fica devidamente apoiado numa prateleira ou estante. Se o gravador sofrer choques ou sacudidas fortes como resultado de uma queda, as partes eletrónicas sensíveis do interior do mesmo podem ficar danificadas.
- O equipamento não deve ficar exposto a líquidos, seja em forma de gotas ou de salpicos. Como tal, não coloque objetos que contenham líquidos, como vasos, em cima do equipamento.
- Não deverão ser colocadas fontes de chama livre, como velas acesas, sobre o equipamento.
- A ventilação não deve ser dificultada pela obstrução das aberturas de ventilação com materiais como jornais, toalhas de mesa, cortinados, etc. As aberturas nunca devem ser obstruídas ao colocar o equipamento em cima de uma cama, sofá, tapete ou outra superfície semelhante.
- Para certos modelos, garanta a ligação correta dos terminais a uma fonte de alimentação de corrente alternada.
- Para certos modelos, o equipamento foi construído, quando necessário, de modo a que possa ser ligado a um sistema de distribuição de energia dirigido a dispositivos informáticos.
- Utilize apenas fontes de alimentação enumeradas no manual ou nas instruções.
- Sob temperaturas de funcionamento elevadas (45 °C a 55 °C), a alimentação elétrica de alguns adaptadores de alimentação poderá ser reduzida.

Arranque

O arranque adequado do gravador digital de vídeo é crucial para que este dure tanto quanto possível.

1º passo - Ligue a ficha a uma tomada.

2º passo - Pressione o botão de ligar e desligar (certos modelos podem apresentar esse botão no painel da frente ou no de trás). O dispositivo começará a arrancar.

Ative o Dispositivo

Não será permitida qualquer operação antes de proceder à ativação. Antes do primeiro acesso, e para que o dispositivo seja ativado, é necessário configurar uma palavra-passe de administrador. Pode ativar o dispositivo através de um *browser*, *SADP* ou de um *software* de cliente.

1º passo - Introduza a mesma palavra-passe em **Criar nova palavra-passe** e **Confirmar palavra-passe**.

2º passo - Também poderá configurar o email reservado, o Hik-Connect e as perguntas de segurança ou exportar o ID único, para que possa vir a redefinir a palavra-passe futuramente.

3º passo - Configure a palavra-passe para ativar a(s) câmara(s) da rede ligada(s) ao dispositivo.

4º passo - Clique em **OK** para guardar a palavra-passe e ativar o dispositivo.

Нормативно-правовая информация

© Hangzhou Hikvision Digital Technology Co., Ltd., 2020 г. Все права защищены.

Признание торговых марок

HIKVISION и все другие торговые марки и логотипы Hikvision являются собственностью компании Hikvision в различных юрисдикциях. Другие торговые марки и логотипы, упоминаемые в настоящем руководстве, являются собственностью соответствующих владельцев.



Термины HDMI и HDMI High-Definition Multimedia Interface, а также логотип HDMI являются торговыми марками или зарегистрированными торговыми марками HDMI Licensing Administrator, Inc. на территории США и других стран.

Заявление об ограничении ответственности

В СТЕПЕНИ, МАКСИМАЛЬНО ДОПУСТИМОЙ ДЕЙСТВУЮЩИМ ЗАКОНОДАТЕЛЬСТВОМ, ОПИСЫВАЕМОЕ ЗДЕСЬ ИЗДЕЛИЕ, А ТАКЖЕ ПРИЛАГАЕМОЕ ПРОГРАММНОЕ И АППАРАТНОЕ ОБЕСПЕЧЕНИЕ ПРЕДОСТАВЛЯЮТСЯ «КАК ЕСТЬ», С ВОЗМОЖНЫМИ ОШИБКАМИ И НЕТОЧНОСТЯМИ. КОМПАНИЯ HIKVISION НЕ ПРЕДОСТАВЛЯЕТ ЯВНЫХ ИЛИ ПОДРАЗУМЕВАЕМЫХ ГАРАНТИЙ В ОТНОШЕНИИ КАЧЕСТВА, СООТВЕТСТВИЯ УКАЗАННЫМ ЦЕЛЯМ И ОТСУТСТВИЯ НАРУШЕНИЙ ПРАВ ТРЕТЬИХ СТОРОН. КОМПАНИЯ HIKVISION, А ТАКЖЕ ЕЕ ДИРЕКТОРА, СОТРУДНИКИ И ПРЕДСТАВИТЕЛИ НЕ НЕСУТ ОТВЕТСТВЕННОСТИ ПЕРЕД ПОТРЕБИТЕЛЕМ ЗА КАКОЙ-ЛИБО СЛУЧАЙНЫЙ ИЛИ КОСВЕННЫЙ УЩЕРБ (ВКЛЮЧАЯ УБЫТКИ ИЗ-ЗА ПОТЕРИ ПРИБЫЛИ, ПЕРЕРЫВОВ В ДЕЯТЕЛЬНОСТИ, ПОТЕРИ ДАННЫХ ИЛИ ДОКУМЕНТАЦИИ) В СВЯЗИ С ИСПОЛЬЗОВАНИЕМ ДАННОГО ИЗДЕЛИЯ, ДАЖЕ ЕСЛИ КОМПАНИЯ HIKVISION БЫЛО ИЗВЕСТНО О ВОЗМОЖНОСТИ ТАКОГО УЩЕРБА.

ПОТРЕБИТЕЛЬ ОСОЗНАЕТ, ЧТО ИНТЕРНЕТ ПО СВОЕЙ ПРИРОДЕ ЯВЛЯЕТСЯ ИСТОЧНИКОМ ПОВЫШЕННОГО РИСКА БЕЗОПАСНОСТИ И КОМПАНИЯ HIKVISION НЕ НЕСЕТ ОТВЕТСТВЕННОСТИ ЗА СВОИ В РАБОТЕ ОБОРУДОВАНИЯ, УТЕЧКУ ИНФОРМАЦИИ И ДРУГОЙ УЩЕРБ, ВЫЗВАННЫЙ КИБЕРАТАКАМИ, ХАКЕРАМИ, ВИРУСАМИ ИЛИ СЕТЕВЫМИ УГРОЗАМИ; ОДНАКО НАША КОМПАНИЯ ОБЕСПЕЧИВАЕТ СВОЕВРЕМЕННОЮ ТЕХНИЧЕСКУЮ ПОДДЕРЖКУ, ЕСЛИ ЭТО НЕОБХОДИМО.

ЗАКОНЫ, РЕГУЛИРУЮЩИЕ ВИДЕОНАБЛЮДЕНИЕ, ОТЛИЧАЮТСЯ В ЗАВИСИМОСТИ ОТ ЮРИСДИКЦИИ. ПЕРЕД ИСПОЛЬЗОВАНИЕМ ОБОРУДОВАНИЯ УДОСТОВЕРЬТЕСЬ, ЧТО ВСЕ ПРИМЕНИМЫЕ ЗАКОНЫ ВАШЕЙ ЮРИСДИКЦИИ СОБЛЮДАЮТСЯ. КОМПАНИЯ HIKVISION НЕ НЕСЕТ ОТВЕТСТВЕННОСТИ ЗА ИСПОЛЬЗОВАНИЕ ОБОРУДОВАНИЯ В НЕЗАКОННЫХ ЦЕЛЯХ.

В СЛУЧАЕ РАЗНОЧТИЙ МЕЖДУ НАСТОЯЩИМ РУКОВОДСТВОМ И ДЕЙСТВУЮЩИМ ЗАКОНОДАТЕЛЬСТВОМ, ПОСЛЕДНЕЕ ИМЕЕТ ПРИОРИТЕТ.

Нормативно-правовая информация

Инструкции по безопасности

- Надлежащая настройка всех паролей и других параметров безопасности является обязанностью монтажника и/или конечного пользователя.
- Надежно подключайте вилку к розетке электропитания. Не подключайте несколько устройств к одному адаптеру питания. Отключайте устройство перед подключением или отключением аксессуаров и периферийных устройств.
- Опасность поражения электрическим током! Отключайте устройство от всех источников электропитания перед техническим обслуживанием.
- Устройство должно быть подключено к заземленной розетке.
- Розетка должна быть установлена рядом с устройством и быть легко доступна.
- ⚡ означает опасность поражения электрическим током. Подключение внешней проводки к клеммам должно осуществляться квалифицированным специалистом.
- Никогда не ставьте устройство на неустойчивую поверхность. Падение устройства на человека может стать причиной серьезных травм или смерти.
- Электропитание должно соответствовать требованиям стандарта IEC62368 для безопасного сверхнизкого напряжения (SELV) и ограниченного напряжения питания (LPS).
- Высокий электрический ток при касании! Заземлите устройство перед подключением к источнику электропитания.
- Если устройство издает дым или шум, немедленно отключите питание, извлеките вилку кабеля из розетки и свяжитесь с сервисным центром.
- Используйте источник бесперебойного электропитания и рекомендованный изготовителем жесткий диск, если это возможно.

- Устройство содержит плоскую круглую батарею. Проглатывание батареи через 2 часа может вызвать серьезные ожоги внутренних органов и даже привести к летальному исходу.
- Устройство не предназначено для использования в тех местах, где могут находиться дети.
- **ВНИМАНИЕ!** При установке батареи недопустимого типа существует риск взрыва.
- Установка батареи недопустимого типа может создать угрозу для безопасности (например, в случае некоторых типов литиевых батарей).
- Не бросайте батарею в огонь или горячую печь, не сдавливайте и не разрезайте батарею, поскольку это может привести к взрыву.
- Не оставляйте батарею в условиях чрезвычайно высокой температуры внешней среды, поскольку это может привести к взрыву или утечке горючей жидкости или газа.
- Не подвергайте батарею чрезвычайно низкому давлению воздуха, поскольку это может привести к взрыву или утечке горючей жидкости или газа.
- Утилизируйте использованные батареи в соответствии с инструкциями.
- Не прикасайтесь к лопасти вентилятора и моторам. Отключайте источник электропитания перед техническим обслуживанием устройства.

Меры предосторожности

Перед подключением и эксплуатацией устройства ознакомьтесь с приведенной ниже информацией.

- Устройство разработано для использования только внутри помещений. Устанавливайте устройство в проветриваемом помещении, где оно будет защищено от попадания пыли и влаги.
- Устройство должно быть надежно закреплено в стойке. Сильные удары, полученные в результате падения, могут привести к повреждению электронных компонентов устройства.
- Устройство не должно подвергаться воздействию жидкостей (капель или брызг). Не ставьте емкости с жидкостями, например вазы, на устройство.
- Не ставьте на устройство источники открытого огня, например горящие свечи.
- Следует обеспечить надлежащую вентиляцию устройства. Не закрывайте вентиляционные отверстия посторонними предметами, например газетами, скатертями или шторами. Не ставьте устройство на кровати, диваны, ковры и другие подобные поверхности, поскольку они могут закрыть вентиляционные отверстия.
- Проверьте правильность подключения клемм при подключении к сети переменного тока (для некоторых моделей).
- Устройство было разработано и при необходимости модифицировано для подключения к системе распределения электропитания для ИТ-оборудования (некоторые модели).
- Используйте только то оборудование для подключения электропитания, которое описано в руководстве пользователя или других инструкциях.
- При высокой рабочей температуре (от 45 до 55 °C) мощность некоторых адаптеров питания может снижаться.

Запуск

Срок службы цифрового видеорежистратора зависит от правильности запуска устройства.

Шаг 1. Подключите шнур питания к розетке.

Шаг 2. Нажмите на кнопку питания (располагается на передней или задней панели в зависимости от модели). Начнется запуск устройства.

Активация устройства

Перед использованием устройства его необходимо активировать. Для этого необходимо задать пароль администратора. Устройство можно активировать с помощью браузера, инструмента SADP или программного обеспечения клиента.

Шаг 1. В полях **Создайте новый пароль** и **Повторите новый пароль** введите пароль.

Stap 2. Geef het reserve-elektronische adres, controleer de vragen, instel de Hik-Connect en exporteer het GUID-bestand voor het resetten van het wachtwoord (niet verplicht).

Stap 3. Geef het wachtwoord voor de activering van de netwerkcamera's, die zijn aangesloten op het apparaat.

Stap 4. Druk op **OK**, om het wachtwoord te bewaren en het apparaat te activeren.

Juridische informatie

© 2020 Hangzhou Hikvision Digital Technology Co., Ltd. Alle rechten voorbehouden.

Erkenning handelsmerken

HIKVISION en andere handelsmerken en logo's van Hikvision zijn eigendom van Hikvision in verschillende jurisdicties. Andere hierna genoemde handelsmerken en logo's zijn eigendom van hun respectievelijke eigenaars.

HDMI: De termen HDMI en HDMI High-Definition Multimedia Interface en het HDMI-logo zijn handelsmerken of geregistreerde handelsmerken van HDMI Licensing Administrator, Inc. in de Verenigde Staten en andere landen.

Juridische disclaimer

HET BESCHREVEN PRODUCT, MET DE HARDWARE, SOFTWARE EN FIRMWARE, WORDT VOOR ZOVER TOEGESTAAN DOOR VAN TOEPASSING ZIJNDE WETGEVING VERSCHAFT "ZOALS HET IS", MET ALLE STORINGEN EN FOUTEN, EN HIKVISION GEEFT GEEN WAARBORGEN, EXPLICIET OF IMPLICIET, INCLUSIEF EN ZONDER BEPERKINGEN, VOOR VERHANDELSBAARHEID, BEVREDIGENDE KWALITEIT, GESCHIKTHEID VOOR EEN BEPAALD DOEL EN NIET-INBREUK DOOR EEN DERDE PARTIJ. HIKVISION, HAAR DIRECTEUREN, FUNCTIONARISSEN, WERKNEMERS OF AGENTEN ZIJN IN GEEN GEVAL AANSPRAKELIJK NAAR U VOOR ENIGE SPECIALE, GEVOLG-, BIJKOMENDE OF INDIRECTE SCHADE, INCLUSIEF, ONDER ANDERE, SCHADE VOOR VERLIES VAN BEDRIJFSWINSTEN, BEDRIJFSONDERBREKING OF VERLIES VAN GEGEVENS OF DOCUMENTATIE IN VERBAND MET HET GEBRUIK VAN DIT PRODUCT, ZELS ALS HIKVISION IS GEÏNFORMEERD OVER DE MOGELIJKHEID VAN ZULKE SCHADE.

U ERKENT DAT DE AARD VAN INTERNET INHERENTE VEILIGHEIDSRISICO'S MET ZICH MEE BRENGT, EN HIKVISION GEEN ENKELE VERANTWOORDELIJKHEID NEEMT VOOR ABNORMALE WERKING, PRIVACYLEKKEN OF ANDERE SCHADE DIE VOORTVLOEIT UIT CYBERAANVAL, HACKERAANVAL, VIRUSINFECTIE, OF ANDERE INTERNETVEILIGHEIDSRISICO'S; HIKVISION BIJDT INDIEN NODIG ECHTER TIJDELIJK TECHNISCHE ONDERSTEUNING.

DE WETGEVING BETREFFENDE BEWAKING VARIËREN PER JURISDICTIE. CONTROLEER ALLE RELEVANTE WETTEN IN UW JURISDICTIE VOORDAT U DIT PRODUCT GEBRUIKT OM TE VERZEKEREN DAT UW GEBRUIK VOLDOET AAN DE TOEPASSELIJKE WETGEVING. HIKVISION IS NIET AANSPRAKELIJK IN HET GEVAL DAT DIT PRODUCT WORDT GEBRUIKT VOOR ILLEGALE DOELEINDEN. IN HET GEVAL VAN ENIGE CONFLICTEN TUSSEN DEZE HANDLEIDING EN DE TOEPASSELIJKE WETGEVING, PREVALEERT DE LAATSTE.

Informatie met betrekking tot regelgeving

EU-conformiteitsverklaring



Dit product en - indien van toepassing - de meegeleverde accessoires dragen het merkteken "CE" en voldoen derhalve aan de toepasselijke geharmoniseerde Europese normen onder de richtlijn radioapparatuur 2014/53/EU, de EMC-richtlijn 2014/30/EU, de LVD-richtlijn 2014/35/EU en RoHS-richtlijn 2011/65/EU.



2012/19/EU (WEEE-richtlijn): Producten die met dit symbool zijn gemarkeerd mogen binnen de Europese Unie niet worden weggegooid als ongesorteerd huishoudelijk afval. Lever dit product voor een juiste recycling in bij uw plaatselijke leverancier bij aankoop van soortgelijke nieuwe apparatuur, of breng het naar daarvoor aangewezen inzamelpunten. Zie voor meer informatie: www.recyclethis.info



2006/66/EG (Batterijrichtlijn): Dit product bevat een batterij die binnen de Europese Unie niet mag worden weggegooid als ongesorteerd huishoudelijk afval. Zie de productdocumentatie voor specifieke informatie over de batterij. De batterij is gemarkeerd met dit symbool, dat letters kan bevatten die cadmium (Cd), lood (Pb) of kwik (Hg) aanduiden. Lever de batterij voor een juiste recycling in bij uw leverancier of bij een daarvoor aangewezen inzamelpunt. Zie voor meer informatie: www.recyclethis.info

Met betrekking tot de richtlijn radioapparatuur 2014/53/EU, staan de band, de vermogensoverdracht (EIRP) en het frequentiebereik in de EU hieronder vermeld.

Wifi-apparaten:

| Band | Vermogensoverdracht (EIRP) | Frequentiebereik |
|--------------|---|-------------------------|
| Wifi 2,4 GHz | 802.11b: 17 dBm 802.11g: 15 dBm 802.11n: 14 dBm | 2,402 GHz tot 2,483 GHz |

2G-/3G-/4G-apparaten:

| Band | Vermogenoverdracht (EIRP) | Tx frequentiebereik | Rx frequentiebereik |
|---------------------------|--------------------------------|--------------------------------|-----------------------|
| 2G: GSM900/DCS1800 | GSM900: 33 dBm ± 2 dBm | GSM900: 880 tot 915 MHz | GSM900: 925 tot |
| 3G: WCDMA B1/B5/B8 | DCS1800: 30 dBm ± 2 dBm | DCS1800: 1710 tot 1785 MHz | 960 MHz |
| 4G: FDD-LTE B1/3/5/7/8/20 | WCDMA-band 1: 24 dBm +1/-3 dBm | WCDMA-band 1: 1920 tot | DCS1800: 1805 tot |
| TDD-LTE B38/40/41 | WCDMA-band 5: 24 dBm +1/-3 dBm | 1980 MHz | 1880 MHz |
| | WCDMA-band 8: 24 dBm +1/-3 dBm | WCDMA-band 5: 824 tot | WCDMA-band 1: 2110 |
| | LTE FDD-band: 23 dBm ± 2 dBm | 849 MHz | tot 2170 MHz |
| | LTE TDD-band: 23 dBm ± 2 dBm | WCDMA-band 8: 880 tot | WCDMA-band 5: 869 tot |
| | | 915 MHz | 894 MHz |
| | | LTE-band 1: 1920 tot 1980 MHz | WCDMA-band 8: 925 tot |
| | | LTE-band 3: 1710 tot 1785 MHz | 960 MHz |
| | | LTE-band 5: 824 tot 849 MHz | LTE-band 1: 2110 tot |
| | | LTE-band 7: 2500 tot 2570 MHz | 2170 MHz |
| | | LTE-band 8: 880 tot 915 MHz | LTE-band 3: 1805 tot |
| | | LTE-band 20: 832 tot 862 MHz | 1880 MHz |
| | | LTE-band 38: 2570 tot 2620 MHz | LTE-band 5: 869 tot |
| | | LTE-band 40: 2300 tot 2400 | 894 MHz |
| | | MHz | LTE-band 7: 2620 tot |
| | | LTE-band 41: 2496 tot 2690 MHz | 2690 MHz |
| | | | LTE-band 8: 925 tot |
| | | | 960 MHz |
| | | | LTE-band 20: 791 tot |
| | | | 821 MHz |
| | | | LTE-band 38: 2570 tot |
| | | | 2620 MHz |
| | | | LTE-band 40: 2300 tot |
| | | | 2400 MHz |
| | | | LTE-band 41: 2496 tot |
| | | | 2690 MHz |

Veiligheidsinstructies

- Juiste configuratie van alle wachtwoorden en andere beveiligingsinstellingen is de verantwoordelijkheid van de installateur en/of de eindgebruiker.
- Steek de stekker goed in het stopcontact. Sluit niet meerdere apparaten aan op één voedingsadapter. Schakel het apparaat uit voordat u accessoires en randapparatuur aansluit en loskoppelt.
- Schokgevaar! Sluit alle voedingsbronnen af voor onderhoud.
- Het apparaat moet aangesloten zijn op een geaard stopcontact.
- Het stopcontact moet in de buurt van de apparatuur worden geïnstalleerd en eenvoudig toegankelijk zijn.
- ⚡ geeft aan dat de spanningvoerende kabels en de externe bedrading die zijn aangesloten op de klemmen moeten worden geïnstalleerd door een geïnstrueerd persoon.
- Plaats het apparaat nooit op een onstabiele plek. De apparatuur kan dan vallen, wat ernstig letsel of de dood tot gevolg kan hebben.
- De ingangsspanning moet voldoen aan de SELV (Safety Extra Low Voltage) en de LPS (Limited Power Source) overeenkomstig IEC62368.
- Hoge contactstroom! Sluit aan op aarding voor u het aansluit op de stroomtoevoer.
- Als er rook, geur of geluid uit het apparaat komt, schakel het dan direct uit, haal de stekker van het netsnoer uit het stopcontact, en neem contact op met het servicecentrum.
- Gebruik het apparaat in combinatie met een UPS en gebruik, indien mogelijk, de door de fabriek aanbevolen harde schijf.

- Dit product bevat een knooppelbatterij. Als de batterij wordt doorgeslikt, kan het binnen 2 uur ernstige interne brandwonden veroorzaken en zelfs de dood tot gevolg hebben.
- Deze apparatuur is niet geschikt voor gebruik op locaties waar waarschijnlijk kinderen aanwezig zijn.
- LET OP: Er bestaat explosiegevaar wanneer de batterij door een onjuist type wordt vervangen.
- Onjuiste vervanging van de batterij door een onjuist type kan een beveiliging omzeilen (bijvoorbeeld in het geval van sommige typen lithiumbatterijen).
- Gooi de batterij niet in vuur of een hete oven en plet of snij de batterij niet op mechanische wijze, want dat kan een explosie veroorzaken.
- Laat de batterij niet in een omgeving met een extreem hoge temperatuur liggen, want dat kan een explosie of het lekken van brandbare vloeistof of gas tot gevolg hebben.
- Stel de batterij niet bloot aan extreem lage luchtdruk, want dat kan een explosie of het lekken van brandbare vloeistof of gas tot gevolg hebben.
- Gooi gebruikte batterijen weg volgens de instructies
- Houd lichaamsdelen uit de buurt van de ventilatorbladen en de motoren. Ontkoppel de voeding tijdens onderhoud.

Preventieve en waarschuwende tips

Neem de volgende tips in acht voordat u het apparaat aansluit en bedient:

- Het apparaat is alleen bedoeld voor binnenshuis gebruik. Installeer in een goed geventileerde, stofvrije omgeving, uit de buurt van vloeistoffen.
- Zorg dat de recorder goed bevestigd is aan een rek of plank. Heftige schokken of stoten aan de recorder kunnen ervoor zorgen dat hij valt wat schade aan de gevoelige elektronica in de recorder kan veroorzaken.
- Het apparaat mag niet worden blootgesteld aan druppelend of spetterend water en er mogen geen objecten met vloeistoffen, zoals vazen, op het apparaat worden geplaatst.
- Plaats geen bronnen met open vuur, zoals brandende kaarsen, op het apparaat.
- De ventilatie mag niet worden belemmerd door afdekken van de ventilatieopeningen met voorwerpen zoals kranten, tafelkleden, gordijnen, enz. De ventilatieopeningen mogen nooit worden geblokkeerd door de apparatuur op een bed, bank, tapijt of een ander soortgelijk oppervlak te plaatsen.
- Voor sommige modellen moet u controleren of de bekabeling van de klemmen voor verbinding is aangesloten op een AC-voedingsbron.
- Voor sommige modellen is het apparaat ontworpen, indien nodig, voor een verbinding met een IT-voedingsdistributiesysteem.
- Gebruik alleen voedingsbronnen die vermeld staan in de gebruikershandleiding of gebruikersinstructies.
- Bij een hoge bedrijfstemperatuur (45°C (113°F) tot 55°C (131°F)) kan de voeding van sommige voedingsadapters afnemen.

Opstarten

De juiste opstartprocedure is cruciaal voor een langere levensduur van de NVR/DVR.

Stap 1: Sluit het netsnoer aan op een stopcontact.

Stap 2: Druk op de aan-/uitknop (sommige modellen hebben een aan-/uitknop op het voor- of achterpaneel). Het apparaat wordt opgestart.

Uw apparaat activeren

Het apparaat kan niet worden bediend voor de activering. Voor het eerste gebruik, moet u een beheerderswachtwoord instellen voor de apparaatactivatie. U kunt het apparaat ook activeren via de webbrowser, SADP of clientsoftware.

Stap 1: Voer hetzelfde wachtwoord in bij **Nieuw wachtwoord maken** en **Bevestig wachtwoord**.

Stap 2: Optioneel, stel een e-mailadres, Hik-Connect of beveiligingsvraag in of exporteer GUID om het wachtwoord in de toekomst opnieuw in te stellen.

Stap 3: Stel het wachtwoord in om de netwerkcamera(s) die zijn verbonden met het apparaat te activeren.

Stap 4: Klik op **OK** om het wachtwoord op te slaan en het apparaat te activeren.

Yasal Bilgi

©2020 Hangzhou Hikvision Digital Technology Co., Ltd. Tüm hakları saklıdır.

Ticari Markalar Onayı

HIKVISION ve diğer Hikvision ticari markaları ve logoları Hikvision'in çeşitli yargı mercilerindeki mülkleridir. Aşağıda bahsedilen diğer ticari markalar ve logolar kendi ilgili sahiplerinin mülkiyetindedir.

HDMI : HDMI ve HDMI Yüksek Çözünürlüklü Multimedya Arayüzü ve HDMI Logosu, Amerika Birleşik Devletleri ve diğer ülkelerde HDMI Licensing Administrator, Inc. şirketinin ticari markaları veya tescilli ticari markalarıdır.

Yasal Uyarı

YÜRÜRLÜKTE OLAN YASALARCA İZİN VERİLEN AZAMI ÖLÇÜDE DONANIMI, YAZILIMI VE AYGIT YAZILIMI İLE BİRLİKTE AÇIKLANAN ÜRÜN TÜM HATALAR VE ARIZALARLA BİRLİKTE "OLDUĞU GİBİ" SUNULMUŞTUR VE HIKVISION PAZARLANABİLİRLİK, TATMİN EDİCİ KALİTE, BELİRLİ BİR AMACA UYGUNLUK VE ÜÇÜNCÜ ŞAHIS HAKLARINI İHLAL ETMEME DAHİL OLMAK ÜZERE DOĞRUDAN VEYA DOLAYLI HERHANGİ BİR GARANTİDE BULUNMAMAKTADIR. HIÇBİR SURETTE HIKVISION, YÖNETİCİLERİ, MEMURLARI, ÇALIŞANLARI VEYA TEMSİLCİLERİ, SİZE KARŞI BU ÜRÜNÜN KULLANILMASI İLE BAĞLANTILI OLARAK ORTAYA ÇIKAN İŞ KÂRLARININ KAYBEDİLMESİ, İŞ KESİNTİSİ VEYA VERİ VEYA BELGELERİN KAYBEDİLMESİ DAHİL OLMAK ÜZERE HERHANGİ BİR ÖZEL, ARIZI, TESADÜFİ VEYA DOLAYLI ZARAR İÇİN HIKVISION SÖZ KONUSU ZARARLARIN OLASILIĞI HAKKINDA BİLGİLENDİRİLMİŞ OLSA DAHI SORUMLU OLMAYACAKTIR.

İNTERNETİN DOĞASININ DOĞAL GÜVENLİK RİSKLERİ BARINDIRDIĞINI KABUL EDİYORSUNUZ VE HIKVISION, SİBER SALDIRI, HACKER SALDIRISI, VİRÜS BULAŞMASI VEYA DİĞER İNTERNET GÜVENLİK RİSKLERİNDEN KAYNAKLANAN ANORMAL KULLANIM, GİZLİLİK SİZİNTİSİ VEYA DİĞER ZARARLAR İÇİN HERHANGİ BİR SORUMLULUK KABUL ETMEZ; ANCAK, HIKVISION GEREKİRSE ZAMANINDA TEKNİK DESTEK SAĞLAYACAKTIR.

GÖZETİM YASALARI ÜLKEDEN ÜLKEYE FARKLILIK GÖSTERİR. KULLANIMINIZIN YÜRÜRLÜKTE OLAN YASALARA UYGUN OLDUĞUNDAN EMİN OLMAK İÇİN LÜTFEN BU ÜRÜNÜ KULLANMADAN ÖNCE ÜLKENİZDEKİ İLGİLİ TÜM YASALARI KONTROL EDİN. HIKVISION BU ÜRÜNÜN YASADIŞI AMAÇLARLA KULLANILMASI HALİNDE HIÇBİR SURETTE SORUMLU OLMAYACAKTIR.

BU KILAVUZ İLE İLGİLİ YASA ARASINDA HERHANGİ BİR ÇELİŞKİ OLMASI DURUMUNDA, YENİ OLAN GEÇERLİDİR.

Mevzuat Bilgisi

AB Uygunluk Beyanı



Bu ürün ve birlikte verilen aksesuarlar (varsa) "CE" ile işaretlenmiştir ve bu nedenle RED Direktifi 2014/53/EU, EMC Direktifi 2014/30/EU, LVD Direktifi 2014/35/EU ve RoHS Direktifi 2011/65/EU altında listelenen geçerli uyumlaştırmış Avrupa standartlarına uygundur.



2012/19 / EU (WEEE direktifi): Bu simgeyle işaretlenen ürünler, Avrupa Birliği'nde ayrıştırılmamış belediye atığı olarak yok edilemez. Doğru geri dönüşüm için, eşdeğer yeni ekipman satın aldıktan sonra bu ürünü yerel tedarikçinize iade edin veya belirtilen toplama noktalarında imha edin. Daha fazla bilgi için bkz: www.recyclethis.info



2006/66/EC (pil direktifi): Bu ürün, Avrupa Birliği'nde ayrıştırılmamış belediye atığı olarak imha edilemeyen bir pil içerir. Özel pil bilgileri için ürün belgelerine bakın. Pil, kadmiyum (Cd), kurşun (Pb) veya civa (Hg) içerebildiğini belirtmek bu simgeyle işaretlenmiştir. Doğru geri dönüşüm için pil tedarikçinize veya belirlenmiş bir toplama noktasına iade edin. Daha fazla bilgi için bkz: www.recyclethis.info

RED Direktifi 2014/53/EU için AB'deki bant, güç aktarımı (EIRP) ve frekans aralığı aşağıda listelenmektedir:

Wi-Fi cihazları:

| Bant | Güç Aktarımı (EIRP) | Frekans Aralığı |
|---------------|---|-------------------------|
| Wi-Fi 2.4 GHz | 802.11b: 17 dBm 802.11g: 15 dBm 802.11n: 14 dBm | 2.402 GHz ila 2.483 GHz |

2G/3G/4G cihazları:

| Bant | Güç Aktarımı (EIRP) | Tx Frekans Aralığı | Rx Frekans Aralığı |
|---------------------------|--------------------------------|----------------------------|------------------------|
| 2G: GSM900/DCS1800 | GSM900: 33 dBm ± 2 dBm | GSM900: 880 ila 915 MHz | GSM900: 925 ila |
| 3G: WCDMA B1/B5/B8 | DCS1800: 30 dBm ± 2 dBm | DCS1800: 1710 ila 1785 MHz | 960 MHz |
| 4G: FDD-LTE B1/3/5/7/8/20 | WCDMA Bant 1: 24 dBm +1/-3 dBm | WCDMA Bant 1: 1920 ila | DCS1800: 1805 ila 1880 |

| | | | |
|-------------------|---|--|--|
| TDD-LTE B38/40/41 | <p>WCDMA Bant 5: 24 dBm +1/-3 dBm</p> <p>WCDMA Bant 8: 24 dBm +1/-3 dBm</p> <p>LTE FDD Bant: 23 dBm ± 2 dBm</p> <p>LTE TDD Bant: 23 dBm ± 2 dBm</p> | <p>1980 MHz</p> <p>WCDMA Bant 5: 824 ila 849 MHz</p> <p>WCDMA Bant 8: 880 ila 915 MHz</p> <p>LTE Bant 1: 1920 ila 1980 MHz</p> <p>LTE Bant 3: 1710 ila 1785 MHz</p> <p>LTE Bant 5: 824 ila 849 MHz</p> <p>LTE Bant 7: 2500 ila 2570 MHz</p> <p>LTE Bant 8: 880 ila 915 MHz</p> <p>LTE Bant 20: 832 ila 862 MHz</p> <p>LTE Bant 38: 2570 ila 2620 MHz</p> <p>LTE Bant 40: 2300 ila 2400 MHz</p> <p>LTE Bant 41: 2496 ila 2690 MHz</p> | <p>MHz</p> <p>WCDMA Bant 1: 2110 ila 2170 MHz</p> <p>WCDMA Bant 5: 869 ila 894 MHz</p> <p>WCDMA Bant 8: 925 ila 960 MHz</p> <p>LTE Bant 1: 2110 ila 2170 MHz</p> <p>LTE Bant 3: 1805 ila 1880 MHz</p> <p>LTE Bant 5: 869 ila 894 MHz</p> <p>LTE Bant 7: 2620 ila 2690 MHz</p> <p>LTE Bant 8: 925 ila 960 MHz</p> <p>LTE Bant 20: 791 ila 821 MHz</p> <p>LTE Bant 38: 2570 ila 2620 MHz</p> <p>LTE Bant 40: 2300 ila 2400 MHz</p> <p>LTE Bant 41: 2496 ila 2690 MHz</p> |
|-------------------|---|--|--|

Güvenlik Talimatları

- Tüm parolaların ve diğer güvenlik ayarlarının doğru yapılandırılması, yükleyicinin ve/veya son kullanıcının sorumluluğundadır.
- Fişi prize sıkıca takın. Bir güç adaptörüne birden fazla cihaz bağlamayın. Aksesuar ve çevre birimlerini bağlamadan ve bağlantısını kesmeden önce cihazı kapatın.
- Elektrik çarpma tehlikesi! Bakımdan önce tüm güç kaynaklarının bağlantısını kesin.
- Ekipman topraklı bir elektrik prizine takılmalıdır.
- Priz, ekipmanın yakınına kurulmalı ve kolayca erişilebilir olmalıdır.
- ⚡ tehlikeli akım olduğunu gösterir ve terminallere bağlı harici kablo tesisatı eğitimli bir kişi tarafından kurulmalıdır.
- Ekipmanı asla sağlam olmayan bir yere yerleştirmeyin. Ekipmanın düşmesi ciddi kişisel yaralanmalara veya ölüme neden olabilir.
- Giriş voltajı, IEC62368'e göre SELV (Güvenlik Ekstra Düşük Voltaj) ve LPS (Sınırlı Güç Kaynağı) değerlerini karşılamalıdır.
- Yüksek dokunma akımı! Güç kaynağına bağlamadan önce toprağa bağlayın.
- Cihazdan duman, koku veya ses geliyorsa hemen gücü kapatarak güç kablosunun bağlantısını kesin ve ardından lütfen servis merkeziyle iletişime geçin.
- Cihazı UPS ile birlikte kullanın ve mümkünse fabrika tarafından önerilen HDD'yi kullanın.
- Bu ürün düğme hücre pil içerir. Pil yutulursa, yalnızca 2 saat içinde ciddi iç yanıklara ve ölüme neden olabilir.
- Bu ekipman çocukların sıklıkla bulunduğu yerlerde kullanım için uygun değildir.
- DİKKAT: Pil yanlış bir türle değiştirildiğinde patlama riski.
- Pilin yanlış türde bir pille uygun olmayan şekilde değiştirilmesi korumayı geçersiz hale getirebilir (örneğin, bazı lityum pil türleri).
- Pili ateşe veya sıcak fırına atmayın veya pili mekanik olarak patlayabilecek şekilde ezmeyin veya kesmeyin.

- Pili, patlamaya veya yanıcı sıvı veya gaz sızıntısına neden olabilecek aşırı yüksek sıcaklıktaki bir ortamda bırakmayın.
- Pili, patlamaya veya yanıcı sıvı veya gaz sızıntısına neden olabilecek aşırı düşük hava basıncına maruz bırakmayın.
- Bitmiş pilleri talimatlara göre atın
- Gövde parçalarını fan kanatlarından ve motorlardan uzak tutun. Bakım sırasında güç kaynağının bağlantısını kesin.

Önleyici ve Uyarıcı Tavsiyeler

Cihazınızı bağlamadan ve çalıştırmadan önce lütfen aşağıdaki tavsiyeleri dikkate alın:

- Cihaz sadece iç mekanda kullanım için tasarlanmıştır. Sıvı bulunmayan, iyi havalandırılmış, tozsuz bir ortama kurun.
- Kayıt cihazının rafa düzgün bir şekilde sabitlendiğinden emin olun. Kayıt cihazının düşürülmesinden kaynaklanan ciddi sarsıntı veya çarpmalar, kayıt cihazı içindeki hassas elektronik parçalara zarar verebilir.
- Ekipman, damlayan veya sıçrayan sıvılara maruz bırakılmamalı ve ekipmanın üzerine vazo gibi içi sıvı dolu nesnelere konulmamalıdır.
- Ekipmanın üzerine yanan mum gibi açık alev kaynakları konulmamalıdır.
- Havalandırma açıklıkları gazete, masa örtüsü, perde vb. malzemelerle engellenmemelidir. Açıklıklar ekipmanın yatak, kanepeler, halı veya benzeri bir yüzeye yerleştirilmesiyle kapatılmamalıdır.
- Belli modellerde, AC şebeke kaynağına bağlantı için terminallerin doğru kablo tesisatına sahip olduğundan emin olun.
- Belli modellerde, ekipman gerektiğinde BT güç dağıtım sistemine bağlanmak üzere değiştirilmiştir.
- Sadece kullanım kılavuzunda veya kullanıcı talimatlarında listelenen güç kaynaklarını kullanın.
- Yüksek çalışma sıcaklığında (45 °C (113 °F) ila 55 °C (131 °F)), bazı güç adaptörlerinin güç kaynağı azalabilir.

Başlatın

NVR/DVR'nin kullanım ömrünü uzatmak için doğru başlatma çok önemlidir.

Adım 1 Güç kaynağını elektrik prizine takın.

Adım 2 Güç düğmesine basın (belli modellerde güç düğmesi ön veya arka panelde olabilir). Cihaz çalışmaya başlar.

Cihazınızı Etkinleştirin

Etkinleştirmeden önce hiçbir işleme izin verilmez. İlk kez erişim sağlarken cihazın etkinleştirilmesi için yönetici şifresinin ayarlanması gerekir. Cihazı web tarayıcısı, SADP veya istemci yazılımı aracılığıyla da etkinleştirebilirsiniz.

Adım 1 **Yeni Şifre Oluştur** ve **Yeni Şifreyi Onayla** kısmına aynı şifreyi girin.

Adım 2 İsteğe bağlı olarak, gelecekte şifre sıfırlama işlemi için yedek e-posta, Hik-Connect, güvenlik soruları belirleyin veya GUID'yi dışa aktarın.

Adım 3 Cihaza bağlı ağ kameralarını etkinleştirmek için şifre belirleyin.

Adım 4 Şifreyi kaydetmek ve cihazı etkinleştirmek için **Tamam'a** tıklayın.

Čeština

Právní informace

© 2020 Hangzhou Hikvision Digital Technology Co., Ltd. Všechna práva vyhrazena.

Prohlášení o ochranných známkách

HIKVISION a ostatní ochranné známky a loga společnosti Hikvision jsou vlastnictvím společnosti Hikvision v různých jurisdikcích. Ostatní níže uvedené ochranné známky a loga jsou vlastnictvím příslušných vlastníků.

HDMI : Termíny HDMI a HDMI High-Definition Multimedia Interface a logo HDMI jsou ochrannými známkami nebo registrovanými ochrannými známkami společnosti HDMI Licensing Administrator, Inc. v USA a dalších zemích.

Prohlášení o vyloučení odpovědnosti

POPIŠOVANÝ VÝROBEK JE DO MAXIMÁLNÍHO ROZSAHU POVOLENÉHO PŘÍSLUŠNÝMI ZÁKONY SPOLU SE SVÝM HARDWAREM, SOFTWAREM A FIRMWAREM POSKYTOVÁN „TAK, JAK JE“ SE VŠEMI SVÝMI ZÁVADAMI A CHYBAMI A SPOLEČNOST HIKVISION NEPOSKYTLUJE ŽÁDNÉ ZÁRUKY, VÝSLOVNĚ VYJÁDRĚNÉ ANI VYPLYVAJÍCÍ, VČETNĚ, ALE NIKOLI VÝHRADNĚ, PRODEJNOSTI, USPOKOJIVÉ KVALITY, VHDNOSTI PRO URČITÝ ÚČEL A BEZ NEOPRÁVNĚNÉHO ZÁSAHU DO PRÁV TŘETÍ STRANY. V ŽÁDNÉM PŘÍPADĚ NEBUDE SPOLEČNOST HIKVISION, JEJÍ ŘEDITELÉ, MANAŽEŘI, ZAMĚŠTANCI ANI ZÁSTUPCI ZODPOVĚDNÍ ZA JAKÉKOLI ZVLÁŠTNÍ, NÁSLEDNĚ, NÁHODNĚ NEBO NEPŘÍMÉ ŠKODY, VČETNĚ, MIMO JINÉ, ŠKOD ZE ZTRÁTY OBCHODNÍHO ZISKU, PŘERUŠENÍ OBCHODNÍ ČINNOSTI NEBO ZE ZTRÁTY DAT NEBO DOKUMENTACE VE SPOJENÍ S POUŽÍVÁNÍM TOHOTO VÝROBKU, A TO ANI V PŘÍPADĚ, ŽE SPOLEČNOST HIKVISION BYLA NA MOŽNOST TAKOVÝCHTO ŠKOD UPOZORNĚNÁ.

BERETE NA VĚDOMÍ, ŽE INTERNET SVOU PODSTATOU PŘEDSTAVUJE SKRYTÁ BEZPEČNOSTNÍ RIZIKA A SPOLEČNOST HIKVISION PROTO NEPŘEBÍRÁ ŽÁDNOU ODPOVĚDNOST ZA NESTANDARDNÍ PROVOZNÍ CHOVÁNÍ, ÚNIK OSOBNÍCH ÚDAJŮ NEBO JINÉ ŠKODY VYPLYVAJÍCÍ Z KYBERNETICKÉHO ČI HACKERSKÉHO ÚTOKU, NAPADENÍ VIREM NEBO ŠKODY ZPŮSOBENÉ JINÝMI INTERNETOVÝMI BEZPEČNOSTNÍMI RIZIKY; SPOLEČNOST HIKVISION VŠAK V PŘÍPADĚ POTŘEBY POSKYTNE VČASNOU TECHNIKOVU PODPORU.

PRÁVO VZTAHUJÍCÍ SE KE SLEDOVÁNÍ SE LIŠÍ DLE JURISDIKCE. PŘED POUŽÍVÁNÍM TOHOTO VÝROBKU SI PŘEČTĚTE VŠECHNY PŘÍSLUŠNÉ ZÁKONY VAŠÍ JURISDIKCE, ABYSTE ZAJISTILI, ŽE POUŽÍVÁNÍ JE V SOULADU S PŘÍSLUŠNÝMI ZÁKONY. SPOLEČNOST HIKVISION NEPONESE ŽÁDNOU ZODPOVĚDNOST V PŘÍPADĚ, ŽE SE TENTO VÝROBEK POUŽÍVÁ K NELEGÁLNÍM ÚČELŮM.

V PŘÍPADĚ JAKÉHOKOLI ROZPORU MEZI TÍMTO NÁVODEM A PŘÍSLUŠNÝMI ZÁKONY PLATÍ DRUHÉ ZMÍNĚNÉ.

Právní informace

EU prohlášení o shodě



Tento výrobek, a případně i dodané příslušenství, jsou označeny štítkem „CE“, což znamená, že vyhovují příslušným harmonizovaným evropským normám uvedeným ve směrnici RED 2014/53/EU, směrnici EMC 2014/30/EU, směrnici LVD 2014/35/EU a směrnici RoHS 2011/65/EU.



Směrnice 2012/19/ES (WEEE): Výrobky označené tímto symbolem nelze v Evropské unii likvidovat společně s netříděným domovním odpadem. Při zakoupení nového ekvivalentního výrobku tento výrobek řádně zrecykluje vrácením svému místnímu dodavateli, nebo jej zlikvidujte odevzdáním v určených sběrných místech. Více informací naleznete na webu: www.recyclethis.info



Směrnice 2006/66/ES (týkající se baterií): Tento výrobek obsahuje baterii, kterou nelze v Evropské unii likvidovat společně s netříděným domovním odpadem. Konkrétní informace o baterii naleznete v dokumentaci výrobku. Baterie je označena tímto symbolem, který může obsahovat písmena značící kadmium (Cd), olovo (Pb) nebo rtuť (Hg). Baterii řádně zlikvidujte odevzdáním svému dodavateli nebo na určeném sběrném místě. Více informací naleznete na webu: www.recyclethis.info

Ve vztahu ke směrnici RED 2014/53/EU jsou pro EU níže uvedeny pásmo, vyzářený výkon (EIRP) a frekvenční rozsah:

Zařízení Wi-Fi:

| Pásmo | Vyzářený výkon (EIRP) | Kmitočtové pásmo |
|-------------------|---|------------------------|
| Síť Wi-Fi 2,4 GHz | 802.11b: 17 dBm 802.11g: 15 dBm 802.11n: 14 dBm | 2,402 GHz až 2,483 GHz |

Zařízení 2G/3G/4G:

| Pásmo | Vyzářený výkon (EIRP) | Frekvenční rozsah Tx | Frekvenční rozsah Rx |
|---------------------------|---------------------------------|-----------------------------------|-----------------------------------|
| 2G: GSM900/DCS1800 | GSM900: 33 dBm ± 2 dBm | GSM900: 880 až 915 MHz | GSM900: 925 až 960 MHz |
| 3G: WCDMA B1/B5/B8 | DCS1800: 30 dBm ± 2 dBm | DCS1800: 1 710 až 1 785 MHz | DCS1800: 1 805 až 1 880 MHz |
| 4G: FDD-LTE B1/3/5/7/8/20 | Pásmo WCDMA 1: 24 dBm +1/-3 dBm | Pásmo WCDMA 1: 1 920 až 1 980 MHz | Pásmo WCDMA 1: 2 110 až 2 170 MHz |
| TDD-LTE B38/40/41 | Pásmo WCDMA 5: 24 dBm +1/-3 dBm | Pásmo WCDMA 5: 824 až 849 MHz | Pásmo WCDMA 5: 869 až 894 MHz |
| | Pásmo WCDMA 8: 24 dBm +1/-3 dBm | Pásmo WCDMA 8: 880 až 915 MHz | Pásmo WCDMA 8: 925 až 960 MHz |
| | Pásmo LTE FDD: 23 dBm ± 2 dBm | Pásmo LTE 1: 1 920 až 1 980 MHz | Pásmo LTE 1: 2 110 až 2 170 MHz |
| | Pásmo LTE TDD: 23 dBm ± 2 dBm | Pásmo LTE 3: 1 710 až 1 785 MHz | Pásmo LTE 3: 1 805 až 1 880 MHz |
| | | Pásmo LTE 5: 824 až 849 MHz | Pásmo LTE 5: 869 až 894 MHz |
| | | Pásmo LTE 7: 2 500 až 2 570 MHz | Pásmo LTE 7: 2 620 až 2 690 MHz |
| | | Pásmo LTE 8: 880 až 915 MHz | Pásmo LTE 8: 925 až 960 MHz |
| | | Pásmo LTE 20: 832 až 862 MHz | |
| | | Pásmo LTE 38: 2 570 až 2 620 MHz | |

| | | | |
|--|--|--|---|
| | | Pásmo LTE 40: 2 300 až 2 400 MHz Pásmo LTE 41: 2 496 až 2 690 MHz | 960 MHz Pásmo LTE 20: 791 až 821 MHz Pásmo LTE 38: 2 570 až 2 620 MHz Pásmo LTE 40: 2 300 až 2 400 MHz Pásmo LTE 41: 2 496 až 2 690 MHz |
|--|--|--|---|

Bezpečnostní pokyny

- Zodpovědnost za správnou konfiguraci všech hesel a ostatních bezpečnostních opatření nese montážní pracovník nebo koncový uživatel.
- Zástrčku pevně připojte do síťové zásuvky. Nepřipojujte k jedinému napájecímu adaptéru více zařízení. Odpojte zařízení dříve, než přikročíte k připojení nebo odpojení příslušenství a periferních zařízení.
- Nebezpečí úrazu! Před údržbou odpojte všechny zdroje napájení.
- Zařízení musí být připojeno k uzemněné síťové zásuvce.
- Síťová zásuvka musí být namontována v blízkosti zařízení a musí být snadno přístupná.
- ⚡ označuje nebezpečné kabely pod napětím nebo pod proudem. Připojení externí kabeláže ke svorkám proto musí provádět vyškolená osoba.
- Zařízení nikdy neumísťujte na nestabilní místo. Zařízení může spadnout a způsobit vážné zranění nebo smrt.
- Vstupní napětí musí splňovat standard ochrany SELV („Safety Extra Low Voltage“, velmi nízké bezpečnostní napětí) a LPS („Limited Power Source“, omezený zdroj napájení) podle normy IEC62368.
- Vysoký dotykový proud! Před připojením k napájení proveďte uzemnění.
- Pokud ze zařízení vychází kouř, zápach nebo hluk, zařízení okamžitě vypněte a odpojte napájecí kabel. Poté se obraťte na servisní středisko.
- Zařízení používejte se záložním napájecím zdrojem (UPS), a pokud je to možné, používejte pevný disk doporučený výrobcem.
- Tento výrobek obsahuje knoflíkovou baterii. Spolknutá baterie může již za 2 hodiny způsobit závažné vnitřní popáleniny a může vést i k smrti.
- Toto zařízení není vhodné pro použití v místech, na kterých se mohou vyskytovat děti.
- UPOZORNĚNÍ: Při výměně baterie za nesprávný typ hrozí nebezpečí výbuchu.
- Vyměníte-li baterii za nesprávný typ, může dojít k poškození pojistky (například v případě některých typů lithiových baterií).
- Baterii nevzhazujte do ohně, nekládejte do horké trouby, mechanicky ji nedrťte ani neřezejte. Mohlo by dojít k výbuchu.
- Neponechávejte baterii v prostředí s extrémně vysokou teplotou, protože by mohlo dojít k výbuchu nebo úniku hořlavé kapaliny nebo plynu.
- Nevystavujte baterii extrémně nízkému tlaku vzduchu, protože by mohlo dojít k výbuchu nebo úniku hořlavé kapaliny nebo plynu.
- Použité baterie zlikvidujte podle pokynů.
- Udržujte části těla stranou od lopatek ventilátoru a motorů. Při provádění servisu musí být zdroj napájení odpojen.

Tipy k zajištění ochrany a předcházení nebezpečí

Než zařízení připojíte k napájení a uvedete do provozu, přečtěte si následující tipy:

- Zařízení je určeno k používání pouze ve vnitřních prostorech. Instalujte jej v době větraných bezprašných prostředích bez přítomnosti kapalin.
- Zajistěte, aby byl rekordér k racku nebo polici pevně připevněn. Silnější nárazy nebo otřesy rekordéru, ke kterým by došlo při pádu, by mohly poškodit citlivou elektroniku uvnitř zařízení.
- Zařízení nesmí být vystaveno kapající ani stříkající vodě. Nesmí na něj být ani pokládány předměty naplněné vodou, například vázy.
- Na zařízení se nesmí pokládat zdroje otevřeného ohně jako například hořící svíčky.
- Odvětrávání nesmí být nikdy omezeno zakrytím ventilačních otvorů předměty, jako jsou noviny, ubrusy, záclony apod. Nikdy nesmí dojít k zablokování otvorů tím, že je zařízení umístěno na posteli, pohovce, koberci nebo jiném podobném povrchu.
- Zajistěte u určitých modelů při připojení ke zdroji střídavého proudu správné zapojení svorek.
- Určité modely tohoto zařízení byly navrženy tak, aby byly v případě potřeby upraveny k připojení do rozvodného systému IT.
- Používejte pouze napájecí zdroje uvedené v návodu k obsluze nebo v příručce pro uživatele.
- Při vysokých provozních teplotách (45 °C až 55 °C) může dojít ke snížení napájení některých napájecích adaptérů.

Spuštění

Správné spuštění je rozhodující pro prodloužení životnosti zařízení NVR/DVR.

Krok 1: Připojte napájení k elektrické zásuvce.

Krok 2: Stiskněte vypínač (některé modely mohou mít vypínač na přední straně, některé na zadní straně). Zařízení se začne spouštět.

Aktivace zařízení

Než zařízení aktivujete, nebude povolena žádná akce. Při prvním přístupu je nutné nastavit heslo správce k aktivaci zařízení. Zařízení lze také aktivovat prostřednictvím webového prohlížeče, nástroje SADP nebo klientského softwaru.

Krok 1: Zadejte totožné heslo do pole **Vytvořit nové heslo a Potvrdit heslo**.

Krok 2: Volitelně nastavte vyhrazený e-mail, službu Hik-Connect, bezpečnostní otázky nebo exportujte identifikátor GUID pro resetování hesla v budoucnosti.

Krok 3: Nastavte heslo k aktivaci síťových kamer připojených k zařízení.

Krok 4: Kliknutím na tlačítko **OK** heslo uložíte a aktivujete zařízení.

Dansk

Juridisk information

©2020 Hangzhou Hikvision Digital Technology Co., Ltd. Alle rettigheder forbeholdes.

Anerkendelse af varemærker

HIKVISION og andre af Hikvisions varemærker og logoer tilhører Hikvision i forskellige jurisdiktioner. Andre varemærker og logoer nævnt nedenfor tilhører deres respektive ejere.

HDMI : Termerne HDMI og HDMI High-Definition Multimedia Interface samt HDMI-logoet er varemærker eller registrerede varemærker tilhørende HDMI Licensing Administrator, Inc. i USA og andre lande.

Juridisk ansvarsfraskrivelse

I STØRST MULIGT OMFANG, SOM TILLADT VED GÆLDENDE LOV, LEVERES DET BESKREVNE PRODUKT MED TILHØRENDE HARDWARE, SOFTWARE OG FIRMWARE "SOM DET ER OG FOREFINDES" MED ALLE DEFEKTER OG FEJL, OG HIKVISION UDSLEDER INGEN GARANTIER, HVERKEN UDTRYKKELIGE ELLER UNDERFORSTÅEDE, INKL UDEN BEGRÆNSNING, VEDRØRENDE SALGBARHED, TILFREDSTILLENDE KVALITET, EGNETHED TIL BESTEMTE FORMÅL OG IKKE-KRÆNKELSE AF TREDJEPART. UNDER INGEN OMSTÆNDIGHEDER ER HIKVISION, DETS BESTYRELSESMEDLEMMER, DETS DIREKTION, ANSATTE ELLER AGENTER ANSVARLIG OVER FOR DIG FOR SÆRLIGE, HÆNDELIGE ELLER FØLGENDE SKADER, INKL. BL.A. SKADER SOM FØLGE AF DRIFTSTAB, DRIFTSFORSTYRELSE ELLER TAB AF DATA ELLER DOKUMENTATION I FORBINDELSE MED BRUGEN AF DETTE PRODUKT, SELVOM HIKVISION ER BLEVET UNDERRETET OM MULIGHEDEN FOR SÅDANNE SKADER. DU ANERKENDER, AT INTERNETTET INDEHOLDER INDBYGGEDE SIKKERHEDSRISICI. HIKVISION PÅTAGER SIG INTET ANSVAR FOR UNORMAL DRIFT, LÆKAGE AF PERSONLIGE OPLYSNINGER ELLER ANDRE SKADER SOM FØLGE AF CYBERANGREB, HACKERANGREB, VIRUSANGREB ELLER ANDRE INTERNETSikkerhedsrisici. HIKVISION VIL DOG YDE EVENTUEL NØDVENDIG OG RETTIDIG TEKNISK BISTAND.

OVERVÅGNINGSLOVGIVNINGEN VARIERER FRA JURISDIKTION TIL JURISDIKTION. KONTROLLER AL RELEVANT LOVGIVNING I DIN JURISDIKTION, FØR DU BRUGER DETTE PRODUKT, FOR AT SIKRE, AT ANVENDELSEN HERAF ER I OVERENSSTEMMELSE MED GÆLDENDE

LOVGIVNING. HIKVISION PÅTAGER SIG INTET ANSVAR, SÅFREMT PRODUKTET BRUGES TIL ULOVLIGE FORMÅL.
I TILFÆLDE AF UOVERENSTEMMELSE MELLER VEJLEDNINGEN OG GÆLDENDE LOVGIVNING GÆLDER SIDSTNEVNTE.

Lovgivningsmæssige oplysninger

EU-overensstemmelseserklæring



Dette produkt og eventuelt medfølgende tilbehør er mærket "CE" og overholder derfor gældende harmoniserede europæiske standarder, der er anført i RED-direktivet 2014/53/EU, EMC-direktivet 2014/30/EU, lavspændingsdirektivet 2014/35/EU og RoHS-direktivet 2011/65/EU.



2012/19/EU (WEEE-direktivet): Produkter, der er mærket med dette symbol, kan ikke bortskaffes som almindeligt husholdningsaffald i EU. Med henblik på korrekt genbrug skal du aflevere produktet til din lokale leverandør ved køb af tilsvarende nyt udstyr eller aflevere det på et dertil indrettet indleveringssted. Du kan få flere oplysninger her: www.recyclethis.info



2006/66/EF (batteridirektivet): Dette produkt indeholder et batteri, som ikke kan bortskaffes sammen med almindeligt husholdningsaffald i EU. Find specifikke oplysninger om batteriet i produktokumentationen. Batteriet er mærket med dette symbol, som kan indeholde bogstaver, der indikerer indhold af kadmium (Cd), bly (Pb) eller kviksølv (Hg). Med henblik på korrekt genbrug skal du aflevere batteriet til din leverandør eller til et dertil indrettet indleveringssted. Du kan få flere oplysninger her: www.recyclethis.info

For RED-direktivet 2014/53/EU gælder, at bånd, udstrålende effekt (EIRP) og frekvensområde indenfor EU er listet herunder:
Wi-fi-enheder:

| Bånd | Udstrålende effekt (EIRP) | Frekvensområde |
|------------------|---|-------------------------|
| Wi-fi på 2,4 GHz | 802.11b: 17 dBm 802.11g: 15 dBm 802.11n: 14 dBm | 2,402 GHz til 2,483 GHz |

2G/3G/4G-enheder:

| Bånd | Udstrålende effekt (EIRP) | Tx frekvensområde | Rx frekvensområde |
|---------------------------|--------------------------------|---------------------------------|---------------------------------|
| 2G: GSM900/DCS1800 | GSM900: 33 dBm ± 2 dBm | GSM900: 880 til 915 MHz | GSM900: 925 til 960 MHz |
| 3G: WCDMA B1/B5/B8 | DCS1800: 30 dBm ± 2 dBm | DCS1800: 1710 til 1785 MHz | DCS1800: 1805 til 1880 MHz |
| 4G: FDD-LTE B1/3/5/7/8/20 | WCDMA-bånd 1: 24 dBm +1/-3 dBm | WCDMA-bånd 1: 1920 til 1980 MHz | WCDMA-bånd 1: 2110 til 2170 MHz |
| TDD-LTE B38/40/41 | WCDMA-bånd 5: 24 dBm +1/-3 dBm | WCDMA-bånd 5: 824 til 849 MHz | WCDMA-bånd 5: 869 til 894 MHz |
| | WCDMA-bånd 8: 24 dBm +1/-3 dBm | WCDMA-bånd 8: 880 til 915 MHz | WCDMA-bånd 8: 925 til 960 MHz |
| | LTE FDD-bånd: 23 dBm ± 2 dBm | LTE-bånd 1: 1920 til 1980 MHz | LTE-bånd 1: 2110 til 2170 MHz |
| | LTE TDD-bånd: 23 dBm ± 2 dBm | LTE-bånd 3: 1710 til 1785 MHz | LTE-bånd 3: 1805 til 1880 MHz |
| | | LTE-bånd 5: 824 til 849 MHz | LTE-bånd 5: 869 til 894 MHz |
| | | LTE-bånd 7: 2500 til 2570 MHz | LTE-bånd 7: 2620 til 2690 MHz |
| | | LTE-bånd 8: 880 til 915 MHz | LTE-bånd 8: 925 til 960 MHz |
| | | LTE-bånd 20: 832 til 862 MHz | LTE-bånd 20: 791 til 821 MHz |
| | | LTE-bånd 38: 2570 til 2620 MHz | LTE-bånd 38: 2570 til 2620 MHz |
| | | LTE-bånd 40: 2300 til 2400 MHz | LTE-bånd 40: 2300 til 2400 MHz |
| | | LTE-bånd 41: 2496 til 2690 MHz | LTE-bånd 41: 2496 til 2690 MHz |

Sikkerhedsanvisninger

- Installatøren og/eller slutbrugeren er ansvarlig for korrekt konfiguration af alle adgangskoder og andre sikkerhedsindstillinger.
- Tryk stikket godt fast i stikkontakten. Slut ikke flere enheder til samme strømadapter. Sluk enheden, før du tilslutter eller frakobler tilbehør og eksterne enheder.
- Fare for elektrisk stød! Afbryd alle strømkilder før udførelse af vedligeholdelse.
- Udstyret skal sluttes til en stikkontakt på elnettet med jordforbindelse.
- Stikkontakten skal være installeret i nærheden af udstyret og være nemt tilgængelig.
- ⚡ angiver farlig strømførende ledning. Den eksterne kabelføring af terminalerne skal installeres af en kvalificeret person.
- Placér aldrig udstyret på et usikkert underlag. Udstyret kan vælte og forårsage alvorlig personskade eller død.
- Indgangsspændingen skal overholde SELV (beskyttelse ved ekstra lav spænding) og LPS (begrænset strømkilde) iht. IEC62368.
- Høj berøringsstrøm! Slut til jord, inden du slutter til strømforsyningen.
- Hvis enheden afgiver røg, lugt eller støj, skal du straks slukke for strømmen og trække netledningen ud. Derefter skal du kontakte servicecentret.
- Brug enheden sammen med en UPS, og brug om muligt en harddisk af en type, der er anbefalet af producenten.
- Produktet indeholder et mønt-/knapcellebatteri. Hvis batteriet sluges, kan det forårsage alvorlige indvendige forbrændinger på blot 2 timer, og det kan føre til dødsfald.
- Udstyret er ikke egnet til brug på steder, hvor det er sandsynligt, at børn er til stede.
- FORSIGTIG: Der er eksplosionsfare, hvis batteriet udskiftes med en ukorrekt type.
- Udskiftning af batteriet med et batteri af forkert type kan sætte en sikkerhedsforanstaltning ud af kraft (gælder fx for visse litium-batterityper).
- Bortskaf ikke batteriet i åben ild eller en varm ovn. Knus ikke og skær ikke i batteriet, da dette kan forårsage en eksplosion.
- Opbevar ikke batteriet i omgivelser med ekstremt høje temperaturer, da det kan medføre en eksplosion eller lækage af brandfarlig væske eller luftart.
- Opbevar ikke batteriet i omgivelser med ekstremt lavt lufttryk, da det kan medføre en eksplosion eller lækage af brandfarlig væske eller luftart.
- Bortskaf brugte batterier i henhold til anvisningerne
- Hold kropsdele væk fra ventilatorvinger og motorer. Afbryd strømkilden under udførelse af service.

Forebyggende og advarende råd

Inden du tilslutter og betjener enheden, skal du følge følgende råd:

- Enheden er udelukkende designet til indendørs brug. Placér enheden i et støvfrit, velventileret miljø, hvor den ikke udsættes for væske.
- Sørg for, at optageren er fastgjort behørigt til et rack eller en hyld. Optagerens følsomme elektronik kan beskadiges, hvis den tabes på gulvet eller udsættes for alvorlige stød eller rystelser.
- Udsæt ikke udstyret for dryp eller sprøjt, og placér ikke genstande med væske, såsom vaser, oven på udstyret.
- Placér ikke kilder med åben ild, såsom et tændt stearinlys, oven på udstyret.
- Ventilationen må ikke blokeres ved at dække ventilationsåbningerne med genstande, såsom aviser, duge, gardiner osv. Åbningerne må aldrig blokeres ved at placere udstyret på en seng, et sofa, et tæppe eller en lignende overflade.

- For visse modeller skal du sørge for korrekt kabelføring af terminalerne for tilslutning til en strømforsyning med vekselstrøm.
- For visse modeller kan udstyret efter behov ændres til tilslutning til et strømfordelingssystem med klassifikation IT.
- Brug kun strømforsyninger, der er angivet i brugervejledningen.
- Strømforsyningen fra visse strømadaptere formindskes muligvis ved høje driftstemperaturer (45-55 °C).

Opstart

Korrekt opstart er væsentlig for at forlænge NVR/DVR-enhedens levetid.

Trin 1: Sæt strømforsyningen i en stikkontakt.

Trin 2: Tryk på afbryderen (afbryderen på visse modeller sidder muligvis på front- eller bagpanelet).

Enheden starter.

Aktivér enheden

Enheden kan ikke bruges, før aktivering er foretaget. Ved første adgang kræver den, at du indstiller en administratoradgangskode til aktivering af enheden. Du kan også aktivere enheden via en webbrowser, SADP eller klientsoftware.

Trin 1: Indtast den samme adgangskode i felterne **Opret ny adgangskode** og **Bekræft ny adgangskode**.

Trin 2: Du kan alternativt indstille en reserveret e-mailadresse, Hik-Connect, sikkerhedsspørgsmål eller eksportere GUID til nulstilling af adgangskode i fremtiden.

Trin 3: Indstil adgangskoden for at aktivere de netværkskameraer, der er sluttede til enheden.

Trin 4: Klik på **OK** for at gemme adgangskoden og aktivere enheden.

Magyar

Jogi információk

© 2020 Hangzhou Hikvision Digital Technology Co., Ltd. Minden jog fenntartva.

Védjegynyilatkozat

HIKVISION valamint a Hikvision egyéb védjegyei és logói a Hikvision tulajdonát képezik különböző joghatóságokban. Az alább említett más védjegyek és logók a megfelelő tulajdonosok tulajdonát képezik.

HDMI : A HDMI és a HDMI High-Definition Multimedia Interface kifejezés, valamint a HDMI logó a HDMI Licensing

Administrator, Inc. védjegye vagy bejegyzett védjegye az Egyesült Államokban és más országokban.

Jogi nyilatkozat

AZ ITT ISMERTETETT TERMÉK, VALAMINT ANNAK HARDVERE, SZOFTVERE ÉS FIRMWARE-E A TÖRVÉNY ÁLTAL MEGENGEDETT LEGTELJESEBB MÉRTÉKIG „AZ ADOTT ÁLLAPOTBAN”, MINDEN ESETLEGES HIBÁJÁVAL EGYÜTT ÁLL RENDELKEZÉSRE, ÉS A HIKVISION EZEKRE SEM KIFEJEZETT, SEM A TÖRVÉNY ÁLTAL VÉLEMELTEZETT JÓTÁLLÁST NEM VÁLLAL, BELEÉRTVE AZ ELADHATÓSÁGRA, A KIELÉGÍTŐ MINŐSÉGRE, AZ ADOTT CÉLRA VALÓ ALKALMASSÁGRA, TOVÁBBÁ A HARMADIK FELEK JOGAINAK MEGSÉRTÉSÉRE VONATKOZÓ JÓTÁLLÁST. A HIKVISION, ANNAK IGAZGATÓI, TISZTÉGVISELŐI, ALKALMAZOTTAI VAGY ÜGYNÖKEI SEMMILYEN ESETBEN SEM FELELŐSEK ÖN FELÉ SEMMILYEN KÜLÖNLEGES, KÖVETKEZMÉNYES, JÁRULÉKOS VAGY KÖZVETETT KÁRÉRT, BELEÉRTVE TÖBBEK KÖZÖTT A TERMÉK HASZNÁLATÁVAL ÖSSZEFÜGGÉSBEN AZ ÜZLETI HASZON ELVESZTÉSÉBŐL, AZ ÜZLETMENET MEGSZAKADÁSÁBÓL, ILLETVE AZ ADATOK VAGY DOKUMENTUMOK ELVESZTÉSÉBŐL EREDŐ KÁROKAT, MÉG AKKOR SEM, HA A HIKVISION VÁLLALATOT TÁJÉKOZTATTÁK AZ ILYEN KÁROK BEKÖVETKEZÉSÉNEK LEHETŐSÉGÉRŐL.

ÖN TUDOMÁSUL VESZI, HOGY AZ INTERNET TERMÉSZETÉBŐL FAKADÓAN REJT KOCKÁZATOKAT, ÉS A HIKVISION SEMMILYEN FELELŐSÉGET NEM VÁLLAL A RENDELLENES MŰKÖDÉSÉRT, A SZEMÉLYES ADATOK KISZÁRGÁSÁÉRT VAGY MÁS OLYAN KÁROKÉRT, AMELYEKET KIBERTÁMADÁSOK, HACKERTÁMADÁSOK, VÍRUSFERTŐZÉSEK VAGY MÁS INTERNETES BIZTONSÁGI VESZÉLYEK OKOZTAK; A HIKVISION AZONBAN KÉRÉSRE IDŐBEN MŰSZAKI TÁMOGATÁST NYÚJT.

A MEGFIGYELÉSRE VONATKOZÓ TÖRVÉNYEK JOGHATÓSÁGONKÉNT ELTÉRŐEK. MIELŐTT A TERMÉKET HASZNÁLATBA VENNÉ, TANULMÁNYOZZON ÁT A JOGHATÓSÁGÁBAN HATÁLYOS MINDEN VONATKOZÓ TÖRVÉNYT ANNAK ÉRDEKÉBEN, HOGY A TERMÉK HASZNÁLATA MEGFELELJEN EZEKNEK A TÖRVÉNYNEK. A HIKVISION NEM FELELŐS AZÉRT, HA A TERMÉK TÖRVÉNYTELEN CÉLOKRA HASZNÁLJÁK.

HA A JELEN KÉZIKÖNYV ÉS A HATÁLYOS TÖRVÉNY KÖZÖTT ELLENTMONDÁS TAPASZTALHATÓ, AKKOR AZ UTÓBBI A MÉRVADÓ.

Szabályozással kapcsolatos információk

EU megfeleléségi nyilatkozat



Ezt a terméket - ha alkalmazható - a mellékelt tartozékokat is "CE" -jelöléssel látták el, ezért azok megfelelnek a 2014/53/EU RED-irányelvben, a 2014/30/EU EMC-irányelvben, a 2014/35/EU LVD-irányelvben és a 2011/65/EU RoHS-irányelvben felsorolt alkalmazandó harmonizált európai szabványok követelményeinek.



2012/19/EU (WEEE-irányelv): Az ezzel a jelzéssel ellátott termékeket nem lehet szelektálatlan kommunális hulladékként elhelyezni az Európai Unióban. A megfelelő újrahasznosítás érdekében vigye vissza ezt a terméket helyi beszállítójához, amikor új, egyenértékű berendezést vásárol, vagy adja le a kijelölt gyűjtőhelyeken. További információk: www.recyclethis.info



2006/66/EC (akkumulátorokról szóló irányelv): Ez a termék olyan akkumulátort tartalmaz, amelyet nem lehet szelektálatlan kommunális hulladékként elhelyezni az Európai Unióban. A termékdokumentációban további információkat talál az akkumulátorról. Az akkumulátor ezzel a jelzéssel van ellátva. A jelzést megtalálhatók lehetnek a kadmiumot (Cd), ólmot (Pb) vagy higanyt (Hg) jelző betűjelek. A megfelelő újrahasznosítás érdekében vigye vissza ezt a terméket a beszállítójához, vagy vigye egy kijelölt gyűjtőhelyre. További információk: www.recyclethis.info

A 2014/53/EU RED-irányelv értelmében az alábbiakban felsoroljuk az EU-ban használt sávot, az energiaátvitelt (EIRP) és a frekvenciatartományt:

Wi-Fi eszközök:


| Sáv | Átviteli teljesítmény (EIRP) | Frekvenciatartomány |
|---------------|--|-----------------------|
| Wi-Fi 2,4 GHz | 802.11b: 17 dBm 802.11g: 15 dBm 802.11n: 14dBm | 2,402 GHz – 2,483 GHz |

2G/3G/4G eszközök:

| Sáv | Átviteli teljesítmény (EIRP) | Tx frekvenciatartomány | Rx frekvenciatartomány |
|--|--|--|---|
| 2G: GSM900/DCS1800 | GSM900: 33 dBm ± 2 dBm DCS1800: 30 dBm ± 2 dBm | GSM900: 880 – 915 MHz DCS1800: 1710 – 1785 MHz | GSM900: 925 – 960 MHz DCS1800: 1805 – 1880 MHz |
| 3G: WCDMA B1/B5/B8 | WCDMA 1-es sáv: 24 dBm +1/-3 dBm WCDMA 5-ös sáv: 24 dBm +1/-3 dBm WCDMA 8-as sáv: 24 dBm +1/-3 dBm | WCDMA 1-es sáv: 1920 – 1980 MHz WCDMA 5-ös sáv: 824 – 849 MHz WCDMA 8-as sáv: 880 – 915 MHz | WCDMA 1-es sáv: 2110 – 2170 MHz WCDMA 5-ös sáv: 869 – 894 MHz WCDMA 8-as sáv: 925 – 960 MHz |
| 4G: FDD-LTE B1/3/5/7/8/20 TDD-LTE B38/40/41 | LTE FDD sáv: 23 dBm ± 2 dBm LTE TDD sáv: 23 dBm ± 2 dBm | LTE 3-as sáv: 1710 – 1785 MHz LTE 5-ös sáv: 824 – 849 MHz LTE 7-es sáv: 2500 – 2570 MHz LTE 8-as sáv: 880 – 915 MHz LTE 20-as sáv: 832 – 862 MHz LTE 38-as sáv: 2570 – 2620 MHz LTE 40-es sáv: 2300 – 2400 MHz LTE 41-es sáv: 2496 – 2690 MHz | LTE 1-es sáv: 2110 – 2170 MHz LTE 3-as sáv: 1805 – 1880 MHz LTE 5-ös sáv: 869 – 894 MHz LTE 7-es sáv: 2620 – 2690 MHz LTE 8-as sáv: 925 – 960 MHz LTE 20-as sáv: 791 – 821 MHz LTE 38-as sáv: 2570 – 2620 MHz LTE 40-es sáv: 2300 – 2400 MHz LTE 41-es sáv: 2496 – 2690 MHz |

Biztonsági utasítások

- Az összes jelszó és más biztonsági beállítás megfelelő konfigurálása a telepítő és/vagy a végfelhasználó feladata.

- A tápcsatlakozót stabilan kell csatlakoztatni az elektromos aljzathoz. Egy hálózati adapterre ne csatlakoztasson több eszközt. A tartozékok és perifériák csatlakoztatása vagy leválasztása előtt áramtalanítsa az eszközt.
- Áramütésveszély! Karbantartás előtt minden tápellátást le kell választani.
- A berendezést földelt hálózati aljzatra kell csatlakoztatni.
- A hálózati aljzatot a készülék közelében kell felszerelni, és az aljzatnak könnyen hozzáférhetőnek kell lennie.
- A  jel veszélyes feszültség jelenlétére utal, ezért a kapcsokhoz csatlakozó külső vezetékek bekötését csak megfelelően képzett személy végezheti.
- Soha ne helyezze a berendezést instabil helyre. A berendezés leeshet, ami súlyos vagy akár halálos sérülést okozhat.
- A bemeneti feszültségnek meg kell felelnie a SELV-re (Safety Extra Low Voltage – biztonságos extraalacsony feszültség) és az LPS-re (Limited Power Source – korlátozott áramforrás) vonatkozó követelményeknek, az IEC62368 szerint.
- Magas érintézfeszültség! A tápfeszültség csatlakoztatása előtt gondoskodjon a megfelelő földelésről.
- Ha az eszköz füstöt, furcsa szagot vagy zajt bocsát ki, azonnal áramtalanítsa, húzza ki a tápkábelt, majd forduljon a szervizközpontozhoz.
- Használja az eszközt szünetmentes áramforrással (UPS), és ha lehet, használjon a gyár által ajánlott HDD-t.
- Ez a termék gombelemet tartalmaz. Az elem lenyelése mindössze 2 órán belül súlyos belső égéseket és akár halált is okozhat.
- Ez a készülék nem használható olyan helyen, ahol gyermekek lehetnek jelen.
- VIGYÁZAT: Az akkumulátor nem megfelelő típusúra cserélése robbanásveszélyt idézhet elő.
- Az akkumulátor nem megfelelő típusúal történő helyettesítése hatástalanná tehet egy biztonsági berendezést (például bizonyos típusú lítiumion-akkumulátorok esetében).
- Tilos az akkumulátort tűzbe vagy forró sütőbe tenni, illetve az akkumulátort összezni, vagy felvágni, mert ez robbanást okozhat.
- Tilos az akkumulátort rendkívül magas környezeti hőmérsékletnek kitenni, mert ez robbanást, illetve gyúlékony folyadék vagy gáz szivárgását idézheti elő.
- Tilos az akkumulátort rendkívül alacsony légnyomásnak kitenni, mert ez robbanást, illetve gyúlékony folyadék vagy gáz szivárgását okozhatja.
- A használt akkumulátorok hulladékkezelésekor kövesse az utasításokat
- Tartsa testrészeit a ventilátorlapátoktól és motoroktól távol. Szervizelés alatt válassza le a tápellátást.

Baleset-megelőzési tanácsok és figyelmeztetések

Mielőtt az eszközt csatlakoztatná és használatba venné, vegye figyelembe az alábbiakat:

- Az eszköz csak beltéri használatra alkalmas. Csak jól szellőző, por- és folyadékmentes környezetbe telepítse.
- Gondoskodjon arról, hogy a felvevő megfelelően legyen egy konzolhoz vagy polchoz rögzítve. A felvevőt ért, leesés miatti nagyobb ütések és rázkódások károsíthatják a felvevő érzékeny elektronikáját.
- A készüléket védeni kell csöpögő vagy fröccsenő víz és folyadékok ellen. Ne helyezzen vizet tartalmazó edényt, tárgyat, pl. vázát a tetejére.
- Tilos a készüléken nyílt lángforrást, pl. gyertyát elhelyezni.

- A készülék szellőzőnyílásait nem szabad pl. újság, függöny vagy terítő ráhelyezésével eltakarni. A készüléket soha nem szabad ágyra, kanapéra, szőnyegre vagy hasonló felületre helyezni, mert ezzel eltakarja annak szellőzőnyílásait.
- Egyes modellek esetén ügyelni kell a váltakozóáramú hálózati feszültségforráshoz csatlakozó érintkezők megfelelő bekötésére.
- Egyes modellek esetén a készülék úgy van kialakítva, vagy szükség esetén módosítva, hogy informatikai tápfeszültség-elosztó rendszerhez csatlakoztatható.
- Csak a felhasználói kézikönyvben vagy használati útmutatóban felsorolt tápegységeket használja.
- Magas üzemelési hőmérséklet esetén (45 °C (113 °F) - 55 °C (131 °F)) bizonyos áramátalakítók tápteljesítménye csökken.

Üzembe helyezés

A megfelelő üzembe helyezés elengedhetetlen a NVR/DVR hosszú élettartamának biztosítása szempontjából.

1. lépés: csatlakoztassa a tápegységet egy hálózati csatlakozóaljzathoz.

2. lépés: nyomja meg a bekapcsoló gombot (a bekapcsoló gomb egyes modelleken az előlapon, míg másoknál a hátoldalon található). Az eszköz megkezd az üzembe helyezési műveletet.

Aktiválja eszközt

Az aktiválás előtt semmilyen művelet nem végezhető. Az eszköz aktiválásához az első hozzáféréskor be kell állítania a rendszergazda jelszavát. Az eszköz webböngészőn, SADP-n, vagy a kliensszoftveren keresztül is aktiválható.

1. lépés: írja be ugyanazt a jelszót az **Új jelszó létrehozása** és **Jelszó megint:** mezőkbe.

2. lépés: opcionális beállításaként megadhat egy fenntartott e-mail címet, Hik-Connect-azonosítót, biztonsági kérdéseket, vagy exportálhatja a GUID-azonosítót a jelszó későbbi visszaállítás érdekében.

3. lépés: állítsa be a jelszót az eszközhöz csatlakoztatott hálózati kamerák aktiválásához.

4. lépés: kattintson az **OK** gombra a jelszó mentéséhez és az eszköz aktiválásához.

Informacje prawne

© 2020 Hangzhou Hikvision Digital Technology Co., Ltd. Wszelkie prawa zastrzeżone.

Znaki towarowe

HIKVISION oraz inne znaki towarowe i logo Hikvision są własnością firmy Hikvision w różnych jurysdykcjach. Inne znaki towarowe i logo, użyte w tej publikacji, należą do odpowiednich właścicieli.

HDMI : HDMI i HDMI High-Definition Multimedia Interface oraz logo HDMI są znakami towarowymi lub zastrzeżonymi znakami towarowymi firmy HDMI Licensing Administrator, Inc. w Stanach Zjednoczonych i innych krajach.

Zastrzeżenie prawne

W PEŁNYM ZAKRESIE DOZWOLONYM PRZEZ OBOWIĄZUJĄCE PRAWO OPISANY PRODUKT ORAZ ZWIĄZANE Z NIM WYPOSAŻENIE, OPROGRAMOWANIE APLIKACYJNE I OPROGRAMOWANIE UKŁADOWE SĄ UDOSTĘPNIANE BEZ GWARANCJI, ZE WSZYSTKIMI USTERKAMI I BŁĘDAMI, A FIRMA HIKVISION NIE UDZIELA ŻADNYCH GWARANCJI, WYRAŹNYCH ANI DOROZUMIANYCH, TAKICH JAK GWARANCJA PRZYDATNOŚCI HANDLOWEJ, DOSTATECZNEJ JAKOŚCI, PRZYDATNOŚCI DO OKREŚLONEGO CELU I OCHRONY PRAW STRON TRZECICH. NIEZALEŻNIE OD OKOLICZNOŚCI FIRMA HIKVISION, JEJ CZŁONKOWIE ZARZĄDU, KIEROWNICTWO, PRACOWNICY I AGENCJI NIE PONOSZĄ ODPOWIEDZIALNOŚCI ZA STRATY SPECJALNE, WYNIKOWE, PRZYPADKOWE LUB POŚREDNIE, TAKIE JAK STRATA OCZEKIWANYCH ZYSKÓW Z DZIAŁALNOŚCI BIZNESOWEJ, PRZERWY W DZIAŁALNOŚCI BIZNESOWEJ ALBO STRATA DANYCH LUB DOKUMENTACJI, ZWIĄZANE Z UŻYCIEM TEGO PRODUKTU, NAWET JEŻELI FIRMA HIKVISION ZOSTAŁA POINFORMOWANA O MOŻLIWOŚCI WYSTĄPIENIA STRAT TEGO TYPU.

UŻYTKOWNIK PRZYJMUJE DO WIADOMOŚCI, ŻE KORZYSTANIE Z INTERNETU JEST ZWIĄZANE Z ZAGROŻENIAMI DLA BEZPIECZEŃSTWA, A FIRMA HIKVISION NIE PONOSI ODPOWIEDZIALNOŚCI ZA NIEPRAWIDŁOWE FUNKCJONOWANIE, WYCIĘK POUFNYCH INFORMACJI LUB INNE SZKODY WYNIKAJĄCE Z ATAKU CYBERNETYCZNEGO, ATAKU HAKERA, DZIAŁANIA WIRUSÓW LUB INNYCH ZAGROŻEŃ DLA BEZPIECZEŃSTWA W INTERNECIE. FIRMA HIKVISION ZAPEWNI JEDNAK TERMINOWĄ POMOC TECHNICZNĄ, JEŻELI BĘDZIE TO WYMAGANE.

PRZEPISY DOTYCZĄCE MONITORINGU SĄ ZALEŻNE OD JURYSDYKCJI. PRZED UŻYCIEM TEGO PRODUKTU NALEŻY ZAPOZNAĆ SIĘ ZE WSZYSTKIMI ODPOWIEDNIAMI PRZEPISAMI WPROWADZONYMI W DANĄ JURYSDYKCJĘ, ABY UPEWNIĆ SIĘ, ŻE PRODUKT JEST UŻYWANY ZGODNIE Z OBOWIĄZUJĄCYM PRAWEM. FIRMA HIKVISION NIE PONOSI ODPOWIEDZIALNOŚCI ZA UŻYCIĘ TEGO PRODUKTU DO CELÓW NIEZGODNYCH Z PRAWEM.

Informacje dotyczące przepisów

Deklaracja zgodności z dyrektywami Unii Europejskiej



Ten produkt i ewentualnie dostarczone z nim akcesoria oznaczono symbolem „CE” potwierdzającym zgodność z odpowiednimi ujednoliconymi normami europejskimi, uwzględnionymi w dyrektywie radiowej (RED) 2014/53/UE, dyrektywie 2014/30/UE dotyczącej kompatybilności elektromagnetycznej (EMC), dyrektywie 2014/35/UE dotyczącej sprzętu elektrycznego przewidzianego do stosowania w określonych granicach napięcia (LVD) oraz dyrektywie 2011/65/UE w sprawie ograniczenia stosowania niektórych niebezpiecznych substancji w sprzęcie elektrycznym i elektronicznym (RoHS).

Dyrektywa 2012/19/UE w sprawie zużytego sprzętu elektrycznego i elektronicznego (WEEE): Produktów oznaczonych tym symbolem nie wolno utylizować na obszarze Unii Europejskiej jako niesegregowane odpady komunalne. Aby zapewnić prawidłowy recykling, należy zwrócić ten produkt do lokalnego dostawcy przy zakupie równoważnego nowego urządzenia lub utylizować go w wyznaczonym punkcie zbiórki. Więcej informacji zamieszczono w następującej witrynie internetowej: www.recyclethis.info

Dyrektywa 2006/66/WE w sprawie baterii i akumulatorów: Ten produkt zawiera baterię, której nie wolno utylizować na obszarze Unii Europejskiej jako niesegregowane odpady komunalne. Szczegółowe informacje dotyczące baterii zamieszczono w dokumentacji produktu. Bateria jest oznaczona tym symbolem, który może także zawierać litery wskazujące na zawartość kadmu (Cd), ołowiu (Pb) lub rtęci (Hg). Aby zapewnić prawidłowy recykling, należy zwrócić baterię do dostawcy lub przekazać ją do wyznaczonego punktu zbiórki. Więcej informacji zamieszczono w następującej witrynie internetowej: www.recyclethis.info

Poniżej podano pasmo, moc promieniowaną (EIRP) i zakres częstotliwości, obowiązujące w UE, zgodnie z dyrektywą radiową (RED) 2014/53/UE.

Urządzenia Wi-Fi:

| Pasmo | Moc promieniowana (EIRP) | Zakres częstotliwości |
|---------------|---|-----------------------|
| Wi-Fi 2,4 GHz | 802.11b: 17 dBm 802.11g: 15 dBm 802.11n: 14 dBm | 2,402–2,483 GHz |

Urządzenia 2G/3G/4G:

| Pasmo | Moc promieniowana (EIRP) | Zakres częstotliwości nadawczych | Zakres częstotliwości odbiorczych |
|--|--|--|--|
| 2G: GSM900/DCS1800 3G: WCDMA B1/B5/B8 4G: FDD-LTE B1/3/5/7/8/20 TDD-LTE B38/40/41 | GSM900: 33 dBm ±2 dBm DCS1800: 30 dBm ±2 dBm Pasmo 1 WCDMA: 24 dBm +1/-3 dBm Pasmo 5 WCDMA: 24 dBm +1/-3 dBm Pasmo 8 WCDMA: 24 dBm +1/-3 dBm Pasmo FDD LTE: 23 dBm ±2 dBm Pasmo TDD LTE: 23 dBm ±2 dBm | GSM900: 880–915 MHz DCS1800: 1710–1785 MHz Pasmo 1 WCDMA: 1920–1980 MHz Pasmo 5 WCDMA: 824–849 MHz Pasmo 8 WCDMA: 880–915 MHz Pasmo 1 LTE: 1920–1980 MHz Pasmo 3 LTE: 1710–1785 MHz Pasmo 5 LTE: 824–849 MHz Pasmo 7 LTE: 2500–2570 MHz Pasmo 8 LTE: 880–915 MHz Pasmo 20 LTE: 832–862 MHz Pasmo 38 LTE: 2570–2620 MHz Pasmo 40 LTE: 2300–2400 MHz Pasmo 41 LTE: 2496–2690 MHz | GSM900: 925–960 MHz DCS1800: 1805–1880 MHz Pasmo 1 WCDMA: 869–894 MHz 2110–2170 MHz Pasmo 5 WCDMA: 869–894 MHz Pasmo 8 WCDMA: 925–960 MHz Pasmo 1 LTE: 2110–2170 MHz Pasmo 3 LTE: 1805–1880 MHz Pasmo 5 LTE: 869–894 MHz Pasmo 7 LTE: 2620–2690 MHz Pasmo 8 LTE: 925–960 MHz Pasmo 20 LTE: 791–821 MHz Pasmo 38 LTE: 2570–2620 MHz Pasmo 40 LTE: |

Zalecenia dotyczące bezpieczeństwa

- Instalator i/lub użytkownik końcowy są zobowiązani do prawidłowego skonfigurowania wszystkich haseł i innych ustawień zabezpieczeń.
- Upewnij się, że wtyczka jest prawidłowo podłączona do gniazda sieci elektrycznej. Nie podłączaj równocześnie kilku urządzeń do zasilacza. Wyłącz zasilanie urządzenia przed podłączaniem lub odłączaniem akcesoriów i urządzeń zewnętrznych.
- Zagrożenie porażeniem prądem elektrycznym! Przed wykonaniem prac konserwacyjnych należy odłączyć wszystkie źródła zasilania.
- Urządzenie musi być podłączone do uziemionego gniazda sieci elektrycznej (dotyczy tylko wyposażenia klasy I).
- Gniazdo sieci elektrycznej powinno być zainstalowane w łatwo dostępnym miejscu w pobliżu urządzenia.
- ⚡ oznacza niebezpieczne napięcie i konieczność podłączania przewodów zewnętrznych do złączy przez wykwalifikowaną osobę.
- Nie wolno instalować urządzenia na niestabilnym podłożu. Urządzenie może upaść i spowodować poważne zranienie lub zgon.
- Napięcie wejściowe musi spełniać normy SELV (Safety Extra Low Voltage) i LPS (Limited Power Source) zgodnie z IEC62368.
- Wysoki prąd dotykowy! Przed podłączeniem do zasilania należy podłączyć uziemienie.
- Jeżeli urządzenie wydziela dym lub intensywny zapach albo emituje hałas, należy niezwłocznie wyłączyć zasilanie i odłączyć przewód zasilający, a następnie skontaktować się z centrum serwisowym.
- Urządzenie należy używać z modułem UPS oraz, o ile to możliwe, stosować zalecane dyski twarde.
- W tym produkcie wykorzystywana jest bateria pastylkowa. Połknięcie baterii może w ciągu zaledwie dwóch godzin spowodować poważne wewnętrzne oparzenia, które mogą prowadzić do zgonu.
- Urządzenie nie powinno być używane w lokalizacjach, w których mogą przebywać dzieci.
- PRZESTROGA: Zainstalowanie nieodpowiedniej baterii może spowodować wybuch.
- Zainstalowanie nieodpowiedniej baterii może spowodować zagrożenie (dotyczy to na przykład niektórych baterii litowych).
- Wrzucenie baterii do ognia lub rozgrzanego pieca albo zgniecenie lub przecięcie baterii może spowodować wybuch.
- Wysoka temperatura w otoczeniu może spowodować wybuch baterii albo wyciek palnej cieczy lub gazu.
- Ekstremalnie niskie ciśnienie powietrza w otoczeniu może spowodować wybuch baterii albo wyciek palnej cieczy lub gazu.
- Zużyte baterie należy utylizować zgodnie z instrukcjami.
- Należy zachować bezpieczną odległość od wentylatora i silników. Podczas wykonania prac serwisowych zasilanie musi być odłączone.

Działania prewencyjne i środki ostrożności

Przed podłączeniem i uruchomieniem urządzenia należy uwzględnić następujące zalecenia:

- Urządzenie jest przeznaczone wyłącznie do użytku w budynkach. Należy zainstalować je w dobrze wietrzonym miejscu zabezpieczonym przed kurzem i zalaniem.

- Rejestrator powinien być prawidłowo przymocowany do wspornika lub półki. Silne udary mechaniczne lub wstrząsy na skutek upadku rejestratora mogą spowodować uszkodzenie jego wrażliwych podzespołów elektronicznych.
- Nie wolno dopuścić do rozlania cieczy na urządzeniu. Nie wolno ustawiać na urządzeniu naczyń napełnionych cieczą, takich jak wazony.
- Nie wolno umieszczać na urządzeniu źródeł nieosłoniętego płomienia, takich jak zapalone świece.
- Nie wolno przykrywać otworów wentylacyjnych przedmiotami takimi jak gazety, obrusy lub zastony, ponieważ powoduje to ograniczenie wentylacji. Nie wolno umieszczać urządzenia na łóżku, sofie lub dywanie w sposób powodujący blokadowanie otworów w obudowie urządzenia.
- W przypadku niektórych modeli należy upewnić się, że przewody są prawidłowo podłączone do złączy sieci elektrycznej.
- Niektóre modele urządzenia zostały zaprojektowane w sposób umożliwiający przystosowanie do zasilania z sieci elektrycznej w konfiguracji IT.
- Korzystaj wyłącznie z zasilaczy wymienionych w podręczniku użytkownika lub instrukcji obsługi.
- Użytkowanie w wysokiej temperaturze (45 °C do 55 °C) może prowadzić do obniżenia mocy niektórych zasilaczy.

Uruchom

Prawidłowe uruchamianie rejestratora NVR/DVR zapewnia jego wieloletnie bezawaryjne funkcjonowanie.

Krok 1: Podłącz zasilacz do gniazda sieci elektrycznej.

Krok 2: Naciśnij przycisk zasilania (w niektórych modelach urządzenia ten przycisk znajduje się na panelu przednim lub tylnym). Rozpocznie się uruchamianie urządzenia.

Aktywacja urządzenia

Nie można wykonać żadnych operacji przed aktywacją. Podczas uzyskiwania dostępu do urządzenia po raz pierwszy należy je aktywować, konfigurując hasło administratora. Urządzenie można też aktywować przy użyciu przeglądarki internetowej, protokołu SADP lub oprogramowania klienckiego.

Krok 1: Wprowadź to samo hasło w polach **Utwórz nowe hasło** i **Potwierdź hasło**.

Krok 2: Opcjonalnie można skonfigurować rezerwowy adres e-mail, usługę Hik-Connect lub pytania zabezpieczające albo eksportować identyfikator GUID umożliwiający resetowanie hasła.

Krok 3: Skonfiguruj hasło umożliwiający aktywację kamer sieciowych podłączonych do urządzenia.

Krok 4: Kliknij przycisk **OK**, aby zapisać hasło i aktywować urządzenie.

Română

Informații legale

©2020 Hangzhou Hikvision Digital Technology Co., Ltd. Toate drepturile rezervate.

Informațiile despre mărcile comerciale

HIKVISION și alte mărci comerciale și sigle ale Hikvision reprezintă proprietatea Hikvision în diferite jurisdicții. Alte mărci comerciale și sigle menționate mai jos reprezintă proprietatea respectivelor deținători.

HDMI™ : Termenii HDMI și HDMI Interfață multimedia de înaltă definiție și Logo-ul HDMI sunt mărci comerciale sau mărci comerciale înregistrate ale administratorului de licențe HDMI, Inc. în Statele Unite și în alte țări.

Declinarea răspunderii legale

ÎN MĂSURA MAXIMĂ PERMISĂ DE LEGISLAȚIA APLICABILĂ, PRODUSUL DESCRIS, ÎMPREUNĂ CU COMPONENTELE HARDWARE, SOFTWARE și FIRMWARE ALE ACESTUIA, ESTE FURNIZAT „AȘA CUM ESTE”, CU TOATE DEFECTELE și ERORILE, IAR HIKVISION NU GARANTEAZĂ NICI ÎN MOD EXPRÉS, NICI SUBÎNȚELES, INCLUSIV, DAR FĂRĂ A SE LIMITA LA, VANDABILITATEA, CALITATEA SATISFĂCĂTOARE, ADECVAREA PENTRU UN ANUMIT SCOP și NEATINGEREA TERȚILOR. ÎN NICIO SITUAȚIE HIKVISION, DIRECTORII, FUNCȚIONARI, ANGAJAȚII SAU AGENȚII SĂI NU VOR RĂSPUNDE PENTRU NICIUN FEL DE DAUNE CONSECUTIVE, ACCIDENTALE SAU INDIRECTE, INCLUSIV, PRINȚRE ALTELE, DAUNE PENTRU PIERDEREA PROFITULUI ACTIVITĂȚII, ÎNȚRRUPEREA ACTIVITĂȚII, SAU PIERDEREA DE DATE SAU DOCUMENTE ÎN LEGĂTURĂ CU UTILIZAREA ACESTUI PRODUS, CHIAR DACĂ HIKVISION A FOST AVERTIZAT DE POSIBILITATEA UNOR ASTFEL DE DAUNE. SUNTEȚI DE ACORD CĂ INTERNETUL, PRIN NATURA SA, PRESUPUNE RISCURI INERENTE CU PRIVIRE LA SECURITATE, IAR HIKVISION NU ÎȘI ASUMĂ NICIO RESPONSABILITATE PENTRU OPERARE NESATISFĂCĂTOARE, ABATERI PRIVIND CONFIDENȚIALITATEA SAU ALTE DAUNE REZULTATE ÎN URMA UNUI ATAC CIBERNETIC, ATAC AL HACKERILOR, INFECȚII CU VIRUȘI SAU ALTOR RISCURI PRIVIND SECURITATEA PE INTERNET; CU TOATE ACESTE, HIKVISION VA OFERI SUPTORT TEHNIC ÎN TIMP UTIL, DACĂ ESTE NECESAR.

LEGISLAȚIA PRIVIND SUPRAVEGHEREA POATE VARIA ÎN FUNCȚIE DE JURISDICȚIE. VĂ RUGĂM SĂ VERIFICAȚI TOATE LEGILE RELEVANTE DIN JURISDICȚIA DVS. ÎNAINTE DE A UTILIZA ACEST PRODUS PENTRU A ASIGURA CĂ UTILIZAREA RESPECTĂ LEGEA APLICABILĂ. HIKVISION NU VA FI RĂSPUNZĂTOR ÎN EVENTUALITATEA ÎN CARE ACEST PRODUS ESTE UTILIZAT ÎN SCOPURI NELEGITIME.

ÎN EVENTUALITATEA UNUI CONFLICT ÎNTRE ACEST MANUAL ȘI LEGISLAȚIA APLICABILĂ, VA AVEA PRIORITATE ULTIMA DINTRE ACESTE.

Informații de reglementare

Declarația de conformitate UE



Acest produs și - dacă este cazul - accesoriile sunt marcate cu "CE" și, prin urmare, respectă standardele europene armonizate aplicabile menționate în Directiva RED-2014/53/EU, Directiva EMC 2014/30/EU, Directiva LVD 2014/35/EU, Directiva RoHS 2011/65/EU.



2012/19/UE (Directiva WEEE): Produsele marcate cu acest simbol nu pot fi eliminate ca deșeu municipal nesortat în Uniunea Europeană. Pentru o reciclare adecvată, returnați acest produs furnizorului dvs. local la achiziționarea unui nou echipament echivalent sau eliminați-l în punctele de colectare indicate. Pentru mai multe informații, consultați: www.recyclethis.info



2006/66/CE (Directiva pentru baterii): Acest produs conține o baterie care nu poate fi eliminată ca deșeu municipal nesortat în Uniunea Europeană. Consultați documentația produsului pentru informații specifice cu privire la baterie. Bateria este marcată cu acest simbol, care poate include litere pentru a indica substanțele cadmiu (Cd), plumb (Pb) sau mercur (Hg). Pentru o reciclare adecvată, returnați bateria furnizorului dvs. sau la un punct de colectare adecvat. Pentru mai multe informații, consultați: www.recyclethis.info

Pentru Directiva RED 2014/53/EU, banda, puterea la transmisie (EIRP) și gama de frecvențe în EU sunt listate mai jos:

Dispozitive Wi-Fi:

| Banda | Puterea la transmisie (EIRP) | Gama de frecvențe |
|---------------|--|-----------------------------|
| Wi-Fi 2,4 GHz | 802.11b: 17 dBm 802.11g: 15 dBm 802.11n: 14dBm | 2,402 GHz până la 2,483 GHz |

Dispozitive 2G/3G/4G:

| Banda | Puterea la transmisie (EIRP) | Gama de frecvențe Tx | Gama de frecvențe Rx |
|---------------------------|---------------------------------|------------------------------|--------------------------|
| 2G: GSM900/DCS1800 | GSM900: 33 dBm ± 2 dBm | GSM900: 880 până la 915 MHz | GSM900: 925 până la |
| 3G: WCDMA B1/B5/B8 | DCS1800: 30 dBm ± 2 dBm | DCS1800: 1710 până la | 960 MHz |
| 4G: FDD-LTE B1/3/5/7/8/20 | Banda WCDMA 1: 24 dBm +1/-3 dBm | 1785 MHz | DCS1800: 1805 până la |
| TDD-LTE B38/40/41 | Banda WCDMA 5: 24 dBm +1/-3 dBm | Banda WCDMA 1: 1920 până la | 1880 MHz |
| | Banda WCDMA 8: 24 dBm +1/-3 dBm | 1980 MHz | Banda WCDMA 1: 2110 |
| | Banda LTE FDD: 23 dBm ± 2 dBm | Banda WCDMA 5: 824 până la | până la 2170 MHz |
| | Banda LTE TDD: 23 dBm ± 2 dBm | 849 MHz | Banda WCDMA 5: 869 |
| | | Banda WCDMA 8: 880 până la | până la 894 MHz |
| | | 915 MHz | Banda WCDMA 8: 925 |
| | | Banda LTE 1: 1920 până la | până la 960 MHz |
| | | 1980 MHz | Banda LTE 1: 2110 până |
| | | Banda LTE 3: 1710 până la | la 2170 MHz |
| | | 1785 MHz | Banda LTE 3: 1805 până |
| | | Banda LTE 5: 824 până la 849 | la 1880 MHz |
| | | MHz | Banda LTE 5: 869 până la |
| | | Banda LTE 7: 2500 până la | 894 MHz |
| | | 2570 MHz | Banda LTE 7: 2620 până |
| | | Banda LTE 8: 880 până la | la 2690 MHz |
| | | 915 MHz | Banda LTE 8: 925 până la |
| | | Banda LTE 20: 832 până la | 960 MHz |
| | | 862 MHz | Banda LTE 20: 791 până |
| | | Banda LTE 38: 2570 până la | la 821 MHz |
| | | 2620 MHz | Banda LTE 38: 2570 până |
| | | Banda LTE 40: 2300 până la | la 2620 MHz |
| | | 2400 MHz | Banda LTE 40: 2300 până |
| | | Banda LTE 41: 2496 până la | la 2400 MHz |
| | | 2690 MHz | Banda LTE 41: 2496 până |
| | | | la 2690 MHz |

Instrucțiuni privind siguranța

- Configurarea corectă a tuturor parolelor și a altor setări de securitate este responsabilitatea persoanei care efectuează instalarea și/sau a utilizatorului final.
- Conectați ferm fișa la mufa de alimentare. Nu conectați mai multe dispozitive la un adaptor de alimentare. Oprțiți dispozitivul înainte de a conecta și deconecta accesorii și periferice.
- Pericol de electrocutare! Deconectați toate sursele de alimentare înainte de întreținere.
- Echipamentul trebuie să fie conectat la o ieșire a unei prize cu împământare.
- Priza electrică va fi instalată în apropierea echipamentului, fiind ușor accesibilă.
- ⚡ indică piese sub tensiune, periculoase, de aceea firele externe conectate la terminal necesită instalarea de către o persoană instruită.
- Nu plasați niciodată echipamentul într-un loc instabil. Echipamentul poate cădea și poate cauza astfel vătămări corporale sau decesul.
- Tensiunea de intrare trebuie să respecte SELV (Tensiune de Siguranța Foarte Joasă) și LPS (Sursa de alimentare limitată) conform IEC62368.
- Curent de înaltă tensiune! Împământați înainte să conectați la o sursă de alimentare.
- Dacă aparatul emite fum, miros sau zgomot, decuplați imediat curentul electric și scoateți cablul de alimentare, iar apoi contactați centrul de service.
- Utilizați dispozitivul împreună cu un UPS și utilizați HDD-ul recomandat din fabrică, dacă este posibil.
- Acest produs conține o baterie cu celulele primare tip buton sau monedă. Dacă bateria este înghițită, poate provoca arsuri interne grave în doar 2 ore și poate duce la deces.
- Acest echipament nu este potrivit pentru utilizarea în locuri unde este posibil să fie prezenți copii.
- ATENȚIE: Există risc de explozie dacă bateria este înlocuită cu una de un tip incorect.
- Înlocuirea bateriei cu una de un tip incorect poate cauza anularea protecției (de exemplu, anumite baterii de tip litiu).
- Nu aruncați bateria în foc sau într-un cuptor fierbinte și nu zdrobiți mecanic sau tăiați bateria. Aceasta poate exploda.
- Nu lăsați bateria într-un mediu cu o temperatură extrem de ridicată, deoarece acest lucru poate duce la explozie sau la scurgerea de lichid sau gaze inflamabile.
- Nu expuneți bateria la presiune atmosferică extrem de joasă, care poate duce la explozie sau la scurgerea de lichid sau gaze inflamabile.
- Eliminați bateriile folosite conform instrucțiunilor
- Nu vă atingeți cu nicio parte a corpului de lamele ventilatorului și motoare. Deconectați sursa de alimentare înainte de a efectua operațiuni de service.

Sfaturi preventive și de atenționare

Înainte de a conecta și utiliza dispozitivul, rețineți de următoarele sfaturi:

- Dispozitivul este destinat numai pentru utilizare în interior. Instalați-l într-un mediu bine ventilat, fără praf, fără lichide.
- Asigurați-vă că înregistratorul este bine fixat pe stativ sau raft. Șocurile sau trepidațiile majore suferite de înregistrator ca urmare a căderii pot cauza deteriorarea componentelor electronice sensibile din înregistrator.
- Echipamentul nu trebuie să fie expus la picurare sau la stropire, astfel că niciun obiect umplut cu lichide, cum ar fi vasele, nu trebuie să fie așezat pe echipament.
- Nu plasați pe echipament surse de flacără deschisă, cum ar fi lumânări aprinse.
- Ventilația nu va fi împiedicată prin acoperirea orificiilor de ventilație cu articole, cum ar fi ziare, fețe de masă, perdele etc. Deschiderile nu vor fi niciodată blocate, prin plasarea echipamentului pe un pat, o canapea, un covor sau o altă suprafață asemănătoare.

- Pentru anumite modele, asigurați conectarea corectă a terminalelor pentru conectarea la o rețea de curent alternativ.
- Pentru anumite modele, echipamentul a fost proiectat și modificat, în caz de necesitate, pentru conectarea la un sistem de distribuție a energiei electrice IT.
- Utilizați numai sursele de alimentare enumerate în instrucțiunile de utilizare sau manualul de utilizare.
- La temperaturi ridicate de lucru [45 °C (113 °F) până la 55 °C (131 °F)], sursa de alimentare a unor adaptoare de alimentare poate scădea.

Pornire

Procedurile corecte de pornire sunt cruciale pentru mărirea duratei de funcționare a NVR/DVR-ului. Pasul 1 Conectați sursa de alimentare la o priza electrică.

Pasul 2 Apăsați butonul de pornire (anumite modele pot avea butonul de pornire pe panoul frontal sau posterior). Dispozitivul pornește.

Activarea dispozitivului dvs.

Nicio operațiune nu este permisă înainte de activare. Când este accesat pentru prima dată, pentru activarea dispozitivului acesta solicită stabilirea unei parole de administrator. De asemenea, puteți activa dispozitivul prin browser web, SADP sau software client.

Pasul 1 Introduceți aceeași parolă în câmpul de text pentru **Creare parolă** și **Confirmare parolă nouă**.

Pasul 2 Opțional, setați emailul rezervat, Hik-Connect, întrebări de securitate sau exportați GUID pentru viitoarea resetare a parolei.

Pasul 3 Setați parola pentru a activa rețeaua camerei (camerelor) conectate la dispozitiv.

Pasul 4 Faceți clic pe **OK** pentru a salva parola și a activa dispozitivul.

Slovenčina

Právne informácie

© 2020 Hangzhou Hikvision Digital Technology Co., Ltd. Všetky práva vyhradené.

Potvrdenia o ochranných známkach

HIKVISION a iné ochranné známky a logá spoločnosti Hikvision sú vlastníctvom spoločnosti Hikvision v rôznych jurisdikciách. Iné nižšie uvedené ochranné známky a logá sú vlastníctvom príslušných majiteľov.

HDMI : Výrazy HDMI a HDMI High-Definition Multimedia Interface a logo HDMI sú ochranné známky alebo registrované ochranné známky spoločnosti HDMI Licensing Administrator, Inc. v USA a ďalších krajinách.

Právne vyhlásenie o odmietnutí zodpovednosti

V MAXIMÁLNO M ŽOŽNOM ROZSAHU, KTORÝ POVOUJÚ PRÍSLUŠNÉ PRÁVNE PREDPISY, SA OPÍŠANÝ PRODUKT, SPOLU S JEHO HARDVÉROM, SOFTVÉROM A FIRMVÉROM, DODÁVA V STAVE „AKO JE“ SO VŠETKÝMI PORUCHAMI A CHYBAMI A SPOLOČNOSŤ HIKVISION NEPOSKYTUJE ŽIADNE VÝSLOVNE ANI IMPLICITNÉ ZÁRUKY OKREM INÉHO VRÁTANE ZÁRUKY PREDAJNOSTI, USPOKOJIVEJ KVALITY, VHODNOSTI NA KONKRÉTNY ÚČEL A NEPORUŠENIA PRÁV TRETEJ STRANY. SPOLOČNOSŤ HIKVISION ANI JEJ RIADIACI PRACOVNÍCI, ZÁSTUPCOVIA, ZAMESTNANCI ALEBO AGENTI V ŽIADNOM PRÍPADE NENESÚ ŽIADNU ZODPOVEDNOSŤ ZA AKÉKOLIEK OSOBITNÉ, NÁSLEDNÉ, NÁHODNÉ ALEBO NEPRIAME ŠKODY, OKREM INÉHO VRÁTANE ŠKÔD Z UŠLÉHO PODNIKATELSKÉHO ZISKU, PRERUŠENIA PODNIKANIA, STRATY ÚDAJOV ALEBO DOKUMENTÁCIE V SÚVISLOSTI S POUŽÍVANÍM TOHTO PRODUKTU, A TO ANI V PRÍPADE, AK BOLA SPOLOČNOSŤ HIKVISION UPOZORNENÁ NA MOŽNOSŤ TAKÝCHTO ŠKÔD.

UZŇAVATE, ŽE POVAHA INTERNETU UMOŽŇUJE INHERENTNÉ BEZPEČNOSTNÉ RIZIKÁ A SPOLOČNOSŤ HIKVISION NENESIE ŽIADNU ZODPOVEDNOSŤ ZA NEŠTANDARDNÚ PREVÁDZKU, ÚNIK OSOBNÝCH ÚDAJOV ANI ZA INÉ ŠKODY V DÔSLEDKU KYBERNETICKÉHO ÚTOKU, HAKERSKÉHO ÚTOKU, VÍRUSOVEJ INFEKČIE ALEBO INÝCH BEZPEČNOSTNÝCH RIZÍK SIETI INTERNET; V PRÍPADE POTREBY VŠAK SPOLOČNOSŤ HIKVISION POSKYTNE VČASNÚ TECHNICKÚ PODPORU.

PRÁVNE PREDPISY TÝKAJÚCE SA BEZPEČNOSTNÉHO MONITOROVANIA SA V JEDNOTLIVÝCH JURISDIKCIÁCH LÍŠIA. PRED POUŽÍVANÍM TOHTO PRODUKTU SI OVERTE VŠETKY PRÍSLUŠNÉ PRÁVNE PREDPISY VO VAŠEJ JURISDIKCIÍ, ABY BOLO VAŠE POUŽÍVANIE PRODUKTU V SÚLADE S PRÍSLUŠNÝMI PRÁVNÝMI PREDPISMI. SPOLOČNOSŤ HIKVISION NENESIE ŽIADNU ZODPOVEDNOSŤ V PRÍPADE POUŽÍVANIA PRODUKTU NA NEZÁKONNÉ ÚČELY.

V PRÍPADE AKÉHOKOLIEK NESÚLADE MEDZI TOUTO PRÍRUČKOU A PRÍSLUŠNÝMI PRÁVNÝMI PREDPISMI MAJÚ PREDNOSŤ PRÍSLUŠNÉ PRÁVNE PREDPISY.

Regulačné informácie

Vyhlasenie o súlade s predpismi EÚ



Tento výrobok a rovnako aj príslušenstvo, ak k nemu bolo dodané, sú označené značkou „CE“, takže sú v súlade s príslušnými harmonizovanými európskymi normami uvedenými v smernici o rádiových zariadeniach (RED) 2014/53/EÚ, smernici o elektromagnetickej kompatibilite (EMC) 2014/30/EÚ, smernici o nízkom napätí (LVD) 2014/35/EU a smernici o obmedzení používania určitých nebezpečných látok v elektrických a elektronických zariadeniach (RoHS) 2011/65/EÚ.



2012/19/EÚ (smernica o odpade z elektrických a elektronických zariadení): Produkty označené týmto symbolom sa v rámci Európskej únie nesmú likvidovať spolu s netriedeným komunálnym odpadom. Po zakúpení ekvivalentného nového zariadenia zrecyklujte produkt tým, že ho odovzdáte miestnemu dodávateľovi alebo ho zlikvidujete na určených zberných miestach. Ďalšie informácie nájdete na lokalite: www.recyclethis.info



2006/66/ES (smernica o batériách): Tento produkt obsahuje batériu, ktorá sa v rámci Európskej únie nesmie likvidovať spolu s netriedeným komunálnym odpadom. Konkrétne informácie o batérii nájdete v dokumentácii produktu. Batéria je označená týmto symbolom, ktorý môže obsahovať písmená označujúce obsah kadmia (Cd), olova (Pb) alebo ortuti (Hg). Zrecyklujte batériu tým, že ju odovzdáte dodávateľovi alebo ju zlikvidujete na určenom zbernom mieste. Ďalšie informácie nájdete na lokalite: www.recyclethis.info

Podľa smernice RED 2014/53/EÚ, pásmo, vysielací výkon (EIRP) a frekvenčný rozsah v EÚ sú uvedené nižšie:

Zariadenia Wi-Fi:

| Pásmo | Vysielací výkon (EIRP) | Frekvenčný rozsah |
|---------------|---|------------------------|
| Wi-Fi 2,4 GHz | 802.11b: 17 dBm 802.11g: 15 dBm 802.11n: 14 dBm | 2,402 GHz až 2,483 GHz |

Zariadenia 2G/3G/4G:

| Pásmo | Vysielací výkon (EIRP) | Vysielací frekvenčný rozsah | Príjímací frekvenčný rozsah |
|---------------------------|---------------------------------|-------------------------------|-----------------------------|
| 2G: GSM900/DCS1800 | GSM900: 33 dBm ±2 dBm | GSM900: 880 až 915 MHz | GSM900: 925 až |
| 3G: WCDMA B1/B5/B8 | DCS1800: 30 dBm ±2 dBm | DCS1800: 1710 až 1785 MHz | 960 MHz |
| 4G: FDD-LTE B1/3/5/7/8/20 | Pásmo WCDMA 1: 24 dBm +1/-3 dBm | Pásmo WCDMA 1: 1920 až | DCS1800: 1805 až |
| TDD-LTE B38/40/41 | Pásmo WCDMA 5: 24 dBm +1/-3 dBm | 1980 MHz | 1880 MHz |
| | Pásmo WCDMA 8: 24 dBm +1/-3 dBm | Pásmo WCDMA 5: 824 až | Pásmo WCDMA 1: 2110 |
| | Pásmo LTE FDD: 23 dBm ±2 dBm | 849 MHz | až 2170 MHz |
| | Pásmo LTE TDD: 23 dBm ±2 dBm | Pásmo WCDMA 8: 880 až | Pásmo WCDMA 5: 869 až |
| | | 915 MHz | 894 MHz |
| | | Pásmo LTE 1: 1920 až 1980 MHz | Pásmo WCDMA 8: 925 až |
| | | Pásmo LTE 3: 1710 až 1785 MHz | 960 MHz |
| | | Pásmo LTE 5: 824 až 849 MHz | Pásmo LTE 1: 2110 až |
| | | Pásmo LTE 7: 2500 až 2570 MHz | 2170 MHz |
| | | Pásmo LTE 8: 880 až 915 MHz | Pásmo LTE 3: 1805 až |
| | | Pásmo LTE 20: 832 až 862 MHz | 1880 MHz |
| | | Pásmo LTE 38: 2570 až | Pásmo LTE 5: 869 až 894 |
| | | 2620 MHz | MHz |
| | | Pásmo LTE 40: 2300 až | Pásmo LTE 7: 2620 až |
| | | 2400 MHz | 2690 MHz |
| | | Pásmo LTE 41: 2496 až | Pásmo LTE 8: 925 až 960 |
| | | 2690 MHz | MHz |
| | | | Pásmo LTE 20: 791 až |
| | | | 821 MHz |
| | | | Pásmo LTE 38: 2570 až |
| | | | 2620 MHz |
| | | | Pásmo LTE 40: 2300 až |
| | | | 2400 MHz |
| | | | Pásmo LTE 41: 2496 až |
| | | | 2690 MHz |

Bezpečnostné pokyny

- Za správnu konfiguráciu všetkých hesiel a iných nastavení zabezpečenia zodpovedá inštalujúca osoba a/alebo koncový používateľ.
- Pevne pripojte zástrčku do elektrickej zásuvky. Nepripájajte viacero zariadení k jednému napájacímu adaptéru. Pred pripájaním a odpájaním príslušenstva a periférnych zariadení vypnite napájanie zariadenia.
- Nebezpečenstvo úrazu elektrickým prúdom! Pred údržbou odpojte všetky zdroje napájania.
- Zariadenie musí byť pripojené k uzemnenej sieťovej zásuvke.
- Zásuvka by mala byť nainštalovaná v blízkosti zariadenia a byť ľahko prístupná.
- ⚡ označuje, že nebezpečné napätie a externé elektrické vedenie pripojené ku koncovkám vyžaduje inštaláciu poučenou osobou.
- Zariadenie nikdy neumiestňujte na nestabilné miesto. Zariadenie môže spadnúť, v dôsledku čoho môže dôjsť k vážnemu zraneniu alebo usmrteniu.
- Vstupné napätie by malo spĺňať štandard SELV (Bezpečnosť pre veľmi nízke napätie) a štandard LPS (Obmedzený zdroj napájania) podľa normy IEC 62368.
- Vysoký dotykový prúd! Zariadenie pred pripojením ku zdroju napájania pripojte k zemi.
- Ak zo zariadenia vychádza dym, zápach alebo hluk, ihneď vypnite napájanie a odpojte napájací kábel a potom sa obráťte na servisné stredisko.
- Zariadenie používajte spolu so záložným napájacím zdrojom, a ak je to možné, používajte výrobcom odporúčaný pevný disk.
- Tento produkt obsahuje gombíkovú batériu. V prípade prehĺtnutia batérie môže v priebehu iba 2 hodín dôjsť k vážnym vnútorným popáleninám, ktoré môžu spôsobiť smrť.
- Toto zariadenie nie je vhodné na používanie na miestach, kde je pravdepodobný výskyt detí.
- VÝSTRAHA: Riziko výbuchu v prípade výmeny batérie za nesprávny typ.
- Nevhodná výmena batérie za nesprávny typ môže deaktivovať bezpečnostný prvok (napríklad v prípade niektorých typov lítiových batérií).
- Batériu nedávajte do ohňa ani do horúcej rúry, ani ju mechanicky nedrvtite ani nerezte, pretože to môže viesť k výbuchu.
- Batériu nenechávajte v prostredí s mimoriadne vysokou teplotou, pretože to môže viesť k výbuchu alebo úniku horľavých kvapalín alebo plynov.
- Batériu nevystavujte mimoriadne nízkemu tlaku vzduchu, pretože to môže viesť k výbuchu alebo úniku horľavých kvapalín alebo plynov.
- Použité batérie zlikvidujte podľa pokynov.
- Časť tela nepribližujte k lopatkám ventilátora a motorom. Počas servisu odpojte zdroj napájania.

Preventívne a výstražné tipy

Pred pripojením a prevádzkou zariadenia si odporúčame nasledujúce tipy:

- Zariadenie je navrhnuté iba na používanie v interiéri. Nainštalujte ho v dobre vetranom prostredí bez prítomnosti prachu a kvapalín.
- Skontrolujte, či je záznamové zariadenie správne pripevnené k stojanu alebo polici. Silné nárazy alebo otrasy záznamového zariadenia, napríklad v dôsledku jeho zhodenia, môžu poškodiť citlivú elektroniku v záznamovom zariadení.
- Zariadenie nesmie byť vystavené kvapkajúcej ani striekajúcej kvapaline a na zariadenie sa nesmú umiestňovať žiadne predmety naplnené kvapalinami, ako napríklad vázy.
- Na zariadenie sa nesmú umiestňovať zdroje otvoreného ohňa, ako napríklad zapálené sviečky.
- Ventilácii by sa nemalo brániť zakrytím vetracích otvorov predmetmi, ako sú noviny, obrusy, záclony atď. Otvory nesmú byť nikdy blokované umiestnením zariadenia na posteľ, pohovku, koberec alebo iný podobný povrch.

- В разі деяких моделей забезпечте правильне підключення кабелів до мережевого живлення змінною напругою.
- В разі деяких моделей пристрій в разі потреби повинен бути налаштований так, щоб його можна було підключити до системи розподілу живлення IT.
- Використовуйте тільки живильні джерела, наведені в інструкції або в посібнику з експлуатації.
- При високій температурі (45 °C (113 °F) до 55 °C (131 °F)) може бути знижена продуктивність деяких адаптерів.

Включення

Правильне включення є необхідним для продовження роботи цифрового відеореєстратора.

Крок 1. Підключіть джерело живлення до електричної розетки.

Крок 2. Натисніть кнопку (деякі моделі можуть мати кнопку на передній або задній панелі).

Пристрій починає роботу.

Активізація пристрою

Перед активізацією не можна виконувати операції. При першому доступі потрібно встановити пароль для адміністратора пристрою. Пристрій можна активувати також за допомогою веб-інтерфейсу, SADP або клієнтського програмного забезпечення.

Крок 1. Для створення **нового пароля** та **підтвердження пароля** введіть однаковий пароль.

Крок 2. Добровільно встановіть зареєстрований e-mail, Hik-Connect, безпечні запитання або експортуйте ідентифікатор GUID для відновлення пароля в майбутньому.

Крок 3. Встановіть пароль для активізації мережевих кабелів, підключених до пристрою.

Крок 4. Натисніть на кнопку **ОК**, щоб зберегти пароль та активувати пристрій.

Українська

Юридична інформація

© 2020 Hangzhou Hikvision Digital Technology Co., Ltd. Усі права захищені.

Торгові марки визнані

HIKVISION та інші торгові марки компанії Hikvision і логотипи є власністю компанії Hikvision у різних юрисдикціях. Інші торгові марки та логотипи, наведені нижче, є власністю їх відповідних власників.

HDMI: Терміни HDMI та HDMI High-Definition Multimedia Interface, а також логотип HDMI є торговими марками або зареєстрованими торговими марками компанії HDMI Licensing Administrator, Inc. у Сполучених Штатах та інших країнах.

Заява про відмову від відповідальності

НАСКОЛЬКИ ЦЕ ДОЗВОЛЕНО ДІЮЧИМ ЗАКОНОДАВСТВОМ, ОПИСАНИЙ ВИБІР З ЙОГО АПАРАТНИМ, ПРОГРАМНИМ ТА МІКРОПРОГРАМНИМ ЗАБЕЗПЕЧЕННЯМ НАДАЄТЬСЯ «ЯК Є», ЗІ ВСІМА НЕСПРАВНОСТЯМИ ТА ПОМИЛКАМИ, І КОМПАНІЯ HIKVISION НЕ НАДАЄ ЖОДНИХ ГАРАНТІЙ, ВИРАЖЕНИХ АБО ОЧІКУВАНИХ, ВКЛЮЧАЮЧИ, БЕЗ ОБМЕЖЕНЬ, ПРИДАТІСЬ ДО ПРОДАЖУ, ЗАДОВІЛЬНУ ЯКІСТЬ, ПРИДАТІСЬ ДЛЯ КОНКРЕТНОЇ ЦІЛІ ТА ВІДСУТНІСТЬ ПОРУШЕННЯ ПРАВ ТРЕТІХ СТОРІН. КОМПАНІЯ HIKVISION, ЇЇ ДИРЕКТОРИ, ПОСАДОВІ ОСОБИ, СПІВРОБІТНИКИ ЧИ АГЕНТИ НІ В ЯКОМУ РАЗІ НЕ НЕСУТЬ ВІДПОВІДАЛЬНОСТІ ПЕРЕД ВАМИ ЗА БУДЬ-ЯКІ СПЕЦІАЛЬНІ, НЕПРЯМІ, ВИПАДКОВІ АБО НЕПРЯМІ ЗБИТКИ, ВКЛЮЧАЮЧИ, КРИМ ІНШОГО, ПОШКОДЖЕННЯ, ЩО ВЕДУТЬ ДО ВТРАТИ КОМЕРЦІЙНОГО ПРИБУТКУ, ПЕРЕРИВАННЯ ДІЛОВОЇ АКТИВНОСТІ ЧИ ВТРАТИ ДАНИХ ЧИ ДОКУМЕНТАЦІЇ, НАВІТЬ ЯКЩО КОМПАНІЯ HIKVISION БУЛА ПОВІДОМЛЕНА ПРО МОЖЛИВІСТЬ ТАКИХ ЗБИТКІВ.

ВИ УСВІДОМЛЮЄТЕ, ЩО ПРИРОДА ІНТЕРНЕТУ НЕСЕ ПРИТАМАННІ РИЗИКИ ДЛЯ БЕЗПЕКИ, І КОМПАНІЯ HIKVISION НЕ БЕРЕ НА СЕБЕ НІЯКОЇ ВІДПОВІДАЛЬНОСТІ ЗА НЕНОРМАЛЬНУ РОБОТУ, ВТРАТУ КОНФІДЕНЦІЙНОСТІ АБО ІНШІ ЗБИТКИ В РЕЗУЛЬТАТІ КІБЕР-АТАК, ХАКЕРСЬКИХ АТАК, ЗАРАЖЕНЬ ВІРУСАМИ АБО ІНШИХ РИЗИКІВ ДЛЯ БЕЗПЕКИ В ІНТЕРНЕТІ, ОДНАК, КОМПАНІЯ HIKVISION В РАЗІ НЕОБХІДНОСТІ НАДАЄТЬ СВОЄЧАСНУ ТЕХНІЧНУ ПІДТРИМКУ.

ЗАКОНИ ЩОДО СТЕЖЕННЯ ВІДРІЗНЯЮТЬСЯ ВІДПОВІДНО ДО ЮРИСДИКЦІЇ. ПЕРЕД ТИМ ЯК ВИКОРИСТОВУВАТИ ВИБІР, ПЕРЕВІРТЕ ВСІ ВІДПОВІДНІ ЗАКОНИ У ВАШІЙ ЮРИСДИКЦІЇ, ЩОБ ПЕРЕКОНАТИСЯ, ЩО ЦЕ ВИКОРИСТАННЯ ВІДПОВІДАТИМЕ ВІДПОВІДНИМ ЗАКОНОМ. КОМПАНІЯ HIKVISION НЕ НЕСЕ ВІДПОВІДАЛЬНОСТІ У ВИПАДКУ, КОЛИ ЦЕЙ ВИБІР ВИКОРИСТОВУЄТЬСЯ ДЛЯ НЕЗАКОННИХ ЦІЛЕЙ.

У РАЗІ БУДЬ-ЯКИХ ПРОТИРІЧЬ МІЖ ЦИМ КЕРІВНИЦТВОМ ТА ЗАСТОСОВУВАННЯМ ЗАКОНОМ, ОСТАННІЙ МАЄ ПЕРЕВАГУ.

Нормативна інформація

Декларація відповідності нормативним вимогам ЄС



Цей виріб і аксесуари до нього (якщо застосовується) мають маркування «CE», а тому відповідають чинним гармонізованим європейським стандартам, переліченим у Директиві щодо радіообладнання (RED) 2014/53/ЄС, Директиві з електромагнітної сумісності (EMC) 2014/30/ЄС,

Директиві з низьковольтного електрообладнання (LVD) 2014/35/ЄС, Директиві щодо обмеження використання шкідливих речовин (RoHS) 2011/65/ЄС.

2012/19/EU (директива щодо утилізації електричного та електронного обладнання, яке було у використанні): Вироби, помічені цим символом, не можна утилізувати у Європейському Союзі як несортовані побутові відходи. Щоб забезпечити правильну переробку цього виробу, поверніть його місцевому постачальнику під час придбання аналогічного нового обладнання, або здайте його до спеціально призначеного пункту збирання відходів. Більше інформації див. на сайті: www.recyclethis.info



2006/66/ЄС (директива щодо акумуляторів/батарейок): Цей виріб містить батарейку, яку не можна утилізувати у Європейському Союзі як несортовані побутові відходи. Інформацію щодо батарейки див. у документації до виробу. Батарейка помічена цим символом, який може включати букви, які вказують на наявність кадмію (Cd), свинцю (Pb) або ртуті (Hg). Щоб забезпечити правильну переробку батарейки, поверніть її постачальнику або здайте до спеціально призначеного пункту збирання відходів. Більше інформації див. на сайті: www.recyclethis.info



Для Директиви щодо радіообладнання 2014/53/ЄС, смуга пропускання, передача потужності (EIRP) та діапазон частоти в ЄС наведені нижче:

Пристрої Wi-Fi:

| Смуга пропускання | Передача потужності (EIRP) | Діапазон частоти |
|-------------------|---|-----------------------|
| Wi-Fi 2,4 ГГц | 802.11b: 17 дБм 802.11g: 15 дБм 802.11n: 14 дБм | 2,402 ГГц - 2,483 ГГц |

Пристрої 2G/3G/4G:

| Смуга пропускання | Передача потужності (EIRP) | Діапазон частоти для передачі | Діапазон частоти для прийому |
|--|---|---|---|
| 2G: GSM900/DCS1800 3G: WCDMA B1/B5/B8 4G: FDD-LTE B1/3/5/7/8/20 TDD-LTE B38/40/41 | GSM900: 33 дБм ± 2 дБм DCS1800: 30 дБм ± 2 дБм WCDMA Band 1: 24 дБм +1/-3 дБм WCDMA Band 5: 24 дБм +1/-3 дБм WCDMA Band 8: 24 дБм +1/-3 дБм Смуга пропускання LTE FDD: 23 дБм ± 2 дБм Смуга пропускання LTE TDD: 23 дБм ± 2 дБм | GSM900: 880 - 915 МГц DCS1800: 1710 - 1785 МГц WCDMA Band 1: 1920 - 1980 МГц WCDMA Band 5: 824 - 849 МГц WCDMA Band 8: 880 - 915 МГц LTE Band 1: 1920 - 1980 МГц LTE Band 3: 1710 - 1785 МГц LTE Band 5: 824 - 849 МГц LTE Band 7: 2500 - 2570 МГц LTE Band 8: 880 - 915 МГц LTE Band 20: 832 - 862 МГц LTE Band 38: 2570 - 2620 МГц LTE Band 40: 2300 - 2400 МГц LTE Band 41: 2496 - 2690 МГц | GSM900: 925 - 960 МГц DCS1800: 1805 - 1880 МГц WCDMA Band 1: 2110 - 2170 МГц WCDMA Band 5: 869 - 894 МГц WCDMA Band 8: 925 - 960 МГц LTE Band 1: 2110 - 2170 МГц LTE Band 3: 1805 - 1880 МГц LTE Band 5: 869 - 894 МГц LTE Band 7: 2620 - 2690 МГц LTE Band 8: 925 - 960 МГц LTE Band 20: 791 - 821 МГц LTE Band 38: 2570 - 2620 МГц LTE Band 40: 2300 - 2400 МГц LTE Band 41: 2496 - 2690 МГц |

Інструкції щодо безпеки

- Належне встановлення всіх паролів та інших налаштувань безпеки є обов'язком установника та/або кінцевого користувача.

- Надійно під'єднайте вилку до електричної розетки. Не підключайте декілька пристроїв до одного електричного перехідника. Перед підключенням або відключенням аксесуарів і периферійних пристроїв відключайте живлення пристрою.
- Небезпека ураження електричним струмом! Перед проведенням технічного обслуговування відключайте всі джерела живлення.
- Обладнання слід підключати до електричної розетки із заземленням.
- Електрична розетка має бути встановлена біля обладнання і до неї повинен бути вільний доступ.
- ⚡ вказує на наявність небезпечної електричної енергії. Зовнішні дроти повинні підключатися до клем проінструктованою особою.
- Ніколи не розміщуйте обладнання на хиткій поверхні. Обладнання може впасти, що може призвести до серйозної травми або смерті.
- Вхідна напруга повинна відповідати вимогам до БЗНН (безпечна наднизька напруга) та ДОП (джерело обмеженої потужності) згідно зі стандартом IEC62368.
- Високий струм доторкання! Перед підключенням до електроживлення під'єднайте заземлення.
- Якщо із пристрою виділяється дим, запах чи він шумить, спочатку вимкніть живлення, від'єднайте кабель живлення, а потім зверніться до сервісного центру.
- Використовуйте пристрій разом із ДБЖ та, якщо це можливо, використовуйте рекомендований виробником жорсткий диск.
- У цьому пристрої встановлена батарейка-таблетка. Якщо проковтнути батарейку, це може викликати серйозні внутрішні опіки всього за 2 години й навіть призвести до смерті.
- Це обладнання не підходить для використання у місцях, де можуть перебувати діти.
- **ОБЕРЕЖНО:** Якщо замінити батарейку на батарейку неправильного типу, виникає ризик вибуху.
- Заміна батарейки на батарейку неправильного типу може зашкодити охороні (наприклад, у разі деяких літєвих батарейок).
- Не кидайте батарейку у вогонь або у гарячу піч і не розбивайте та не розрізуйте батарейку. Це може призвести до вибуху.
- Не залишайте батарейку у місцях з дуже високою температурою. Це може призвести до вибуху або витоку вогнєнебезпечної рідини або газу.
- Не залишайте батарейку у місцях з дуже низьким атмосферним тиском. Це може призвести до вибуху або витоку вогнєнебезпечної рідини або газу.
- Утилізуйте використані батарейки згідно з інструкціями.
- Тримайте кінцівки подалі від лопатей вентилятора та двигунів. Під час технічного обслуговування вимикайте джерело живлення.

Попереджувальні та застережні поради

Перед підключенням та експлуатацією пристрою прочитайте такі поради:

- Пристрій призначений для використання лише у приміщенні. Встановлюйте його у середовищі з доброю вентиляцією, де немає пилу та рідин.
- Переконайтеся, що записуючий пристрій надійно закріплений на стійці або полиці. Сильні удари по записуючому пристрою або його струшування в результаті падіння можуть призвести до пошкодження чутливої електроніки всередині пристрою.
- Обладнання не повинне піддаватися дії крапель чи бризок. Не ставте на обладнання предмети, наповнені рідиною, як-от вази.
- Забороняється розміщувати на обладнанні джерела відкритого вогню, як-от свічки, які горять.

- Не можна перешкоджати вентиляції шляхом накривання вентиляційних отворів різними предметами, як-от газетами, скатертинами, шторами тощо. Забороняється блокувати отвори шляхом розміщення пристрою на ліжку, софі, килими або іншій аналогічній поверхні.
- Для певних моделей виконайте правильне підключення дротів від клем пристрою до розетки живлення змінним струмом.
- Певні моделі обладнання спроектовані, а коли це необхідно, змінені для підключення до комп'ютерної системи розподілення живлення.
- Використовуйте лише ті джерела живлення, які перелічені у посібнику користувача або інструкції з експлуатації.
- За високої робочої температури (від 45 °C (113 °F) до 55 °C (131 °F)) потужність деяких блоків живлення може знижуватися.

Запуск

Правильний запуск є ключовим моментом для подовження строку служби пристрою цифрового відеозапису.

Крок 1. Вставте вилку живлення в електричну розетку.

Крок 2. Натисніть кнопку живлення (у деяких моделях кнопку живлення може знаходитися на передній або задній панелі). Починається запуск пристрою.

Активация пристрою

До моменту активації експлуатація пристрою не дозволяється. Під час першого використання потрібно задати пароль адміністратора для виконання активації пристрою. Пристрій також можна активувати за допомогою вебпереглядача, програми SADP або клієнтського програмного забезпечення.

Крок 1. Введіть однаковий пароль у поля **Створити новий пароль** та **Підтвердити новий пароль**.

Крок 2. Можна також ввести резервну ел. адресу, обліковий запис Hik-Connect, секретні питання чи експортувати ідентифікатор GUID для скидання пароля у майбутньому.

Крок 3. Задайте пароль для активації підключених до пристрою мережевих камер.

Крок 4. Натисніть кнопку **Ок**, щоб зберегти пароль та активувати пристрій.

Bahasa Indonesia

Informasi Hukum

©2020 Hangzhou Hikvision Digital Technology Co., Ltd. Hak cipta dilindungi.

Pengakuan Merek Dagang

HIKVISION dan merek dagang serta logo Hikvision lainnya adalah milik Hikvision di berbagai wilayah hukum. Merek dagang dan logo lain yang disebutkan di bawah adalah milik pemilik yang bersangkutan.

HDMI : Istilah HDMI dan HDMI High-Definition Multimedia Interface, serta Logo HDMI adalah merek dagang atau merek dagang terdaftar dari HDMI Licensing Administrator, Inc. di Amerika Serikat dan negara lain.

Penafian Hukum

SEJAUH DIIZINKAN OLEH HUKUM YANG BERLAKU, PRODUK YANG DIJELASKAN, BERSERTA PERANGKAT KERAS, PERANGKAT LUNAK, DAN FIRMWARE, DISEDIAKAN "APA ADANYA", DENGAN SEMUA KEGAGALAN DAN KESALAHANNYA, DAN HIKVISION TIDAK MEMBUAT JAMINAN APA PUN, BAIK TERSURAT MAUPUN TERSIRAT, TERMASUK TANPA BATASAN, JAMINAN KELAYAKAN JUAL, KUALITAS YANG MEMUASKAN, KESESUAIAN UNTUK TUJUAN TERTENTU, DAN KETIDAAAN PELANGGARAN OLEH PIHAK KETIGA. DALAM SEGALA HAL, HIKVISION, DIREKTUR, PEJABAT, KARYAWAN, ATAU AGENNYA TIDAK BERTANGGUNG JAWAB KEPADA ANDA ATAS KERUGIAN KHUSUS, KONSEKUENSIAL, INSIDENTAL, ATAU TIDAK LANGSUNG, TERMASUK, ANTARA LAIN, KERUGIAN AKIBAT HILANGNYA LABA USAHA, TERGANGGUNYA KEGIATAN USAHA, ATAU HILANGNYA DATA ATAU DOKUMENTASI, SEHUBUNGAN DENGAN PENGGUNAAN PRODUK INI, MESKIPUN KETIKA HIKVISION SUDAH DIBERI TAHU ADANYA KEMUNGKINAN KERUGIAN SEMACAM ITU.

ANDA MENGAKUI BAHWA SIFAT INTERNET MENGHADIRKAN RISIKO KEAMANAN TIDAK TERLIHAT, DAN HIKVISION TIDAK BERTANGGUNG JAWAB ATAS ABNORMALITAS PENGOPERASIAN, KEBOCORAN PRIVASI, ATAU KERUSAKAN LAIN AKIBAT SERANGAN SIBER, SERANGAN PERETAS, INFEKSI VIRUS, DAN RISIKO KEAMANAN INTERNET LAINNYA; AKAN TETAPI, KAMI AKAN MENYEDIAKAN DUKUNGAN TEKNIS SECARA BERKALA JIKA DIBUTUHKAN.

HUKUM TENGANG VIDEO PENGAWASAN BERBEDA-BEDA MENURUT WILAYAH HUKUM. HARAP PERIKSA SEMUA HUKUM TERKAIT DI WILAYAH HUKUM ANDA SEBELUM MENGGUNAKAN PRODUK INI UNTUK MEMASTIKAN BAHWA PENGGUNAANNYA SESUAI DENGAN HUKUM YANG BERLAKU. HIKVISION TIDAK BERTANGGUNG JAWAB ATAS PENGGUNAAN PRODUK INI UNTUK TUJUAN YANG TIDAK

Informasi Terkait Peraturan

Pernyataan Kepatuhan Terhadap UE



Produk ini - dan jika ada - aksesoris yang disertakan bertanda "CE" dan oleh karena itu memenuhi standar kompatibel Eropa yang disebutkan dalam RED Directive 2014/53/EU, EMC Directive 2014/30/EU, LVD Directive 2014/35/EU, RoHS Directive 2011/65/EU.



2012/19/EU (WEEE directive): Produk yang bertanda simbol ini tidak boleh dibuang sebagai sampah umum yang tidak disortir di wilayah Uni Eropa. Agar dapat didaur ulang sesuai ketentuan, kembalikan produk ini ke toko terdekat saat Anda membeli peralatan pengganti yang baru, atau buang pada titik pengumpulan yang ditentukan. Untuk informasi lebih lanjut, kunjungi: www.recyclethis.info



2006/66/EC (ketentuan baterai): Produk ini berisi baterai yang tidak boleh dibuang sebagai sampah umum yang tidak disortir di wilayah Uni Eropa. Lihat dokumentasi produk untuk informasi spesifik tentang baterai. Baterai ini ditandai dengan simbol ini, yang mungkin disertai huruf untuk menandakan kadmium (Cd), timbal (Pb), atau merkuri (Hg). Agar dapat didaur ulang sesuai ketentuan, kembalikan baterai ke toko atau titik pengumpulan yang ditentukan. Untuk informasi lebih lanjut, kunjungi: www.recyclethis.info

Untuk RED-Directive 2014/53/EU, pita, transmisi daya (EIRP), dan rentang frekuensi dalam EU disebutkan di bawah:

Perangkat Wi-Fi:

| Pita | Transmisi Daya (EIRP) | Jangkauan Frekuensi |
|---------------|---|----------------------------|
| Wi-Fi 2.4 GHz | 802.11b: 17 dBm 802.11g: 15 dBm 802.11n: 14 dBm | 2.402 GHz hingga 2.483 GHz |

Perangkat 2G/3G/4G:

| Pita | Transmisi Daya (EIRP) | Rentang Frekuensi Tx | Rentang Frekuensi Rx |
|---------------------------|--------------------------------|------------------------------------|------------------------------------|
| 2G: GSM900/DCS1800 | GSM900: 33 dBm ± 2 dBm | GSM900: 880 hingga 915 MHz | GSM900: 925 hingga 960 MHz |
| 3G: WCDMA B1/B5/B8 | DCS1800: 30 dBm ± 2 dBm | DCS1800: 1710 hingga 1785 MHz | DCS1800: 1805 hingga 1880 MHz |
| 4G: FDD-LTE B1/3/5/7/8/20 | WCDMA Band 1: 24 dBm +1/-3 dBm | WCDMA Band 1: 1920 hingga 1980 MHz | WCDMA Band 1: 2110 hingga 2170 MHz |
| TDD-LTE B38/40/41 | WCDMA Band 5: 24 dBm +1/-3 dBm | WCDMA Band 5: 824 hingga 849 MHz | WCDMA Band 5: 869 hingga 894 MHz |
| | WCDMA Band 8: 24 dBm +1/-3 dBm | WCDMA Band 8: 880 hingga 915 MHz | WCDMA Band 8: 925 hingga 960 MHz |
| | LTE FDD Band: 23 dBm ± 2 dBm | LTE Band 1: 1920 hingga 1980 MHz | LTE Band 1: 2110 hingga 2170 MHz |
| | LTE TDD Band: 23 dBm ± 2 dBm | LTE Band 3: 1710 hingga 1785 MHz | LTE Band 3: 1805 hingga 1880 MHz |
| | | LTE Band 5: 824 hingga 849 MHz | LTE Band 5: 869 hingga 894 MHz |
| | | LTE Band 7: 2500 hingga 2570 MHz | LTE Band 7: 2620 hingga 2690 MHz |
| | | LTE Band 8: 880 hingga 915 MHz | LTE Band 8: 925 hingga 960 MHz |
| | | LTE Band 20: 832 hingga 862 MHz | LTE Band 20: 791 hingga 821 MHz |
| | | LTE Band 38: 2570 hingga 2620 MHz | LTE Band 38: 2570 hingga 2620 MHz |
| | | LTE Band 40: 2300 hingga 2400 MHz | LTE Band 40: 2300 hingga 2400 MHz |
| | | LTE Band 41: 2496 hingga 2690 MHz | LTE Band 41: 2496 hingga 2690 MHz |

Petunjuk Keselamatan

- Ketepatan konfigurasi semua kata sandi dan pengaturan keamanan lainnya menjadi tanggung jawab penginstal dan/atau pengguna akhir.
- Masukkan steker sepenuhnya ke stopkontak. Hindari penggunaan satu adaptor listrik untuk beberapa perangkat. Matikan perangkat sebelum menghubungkan dan melepas sambungan listrik ke aksesori dan perangkat tambahan.
- Bahaya sengatan listrik! Lepaskan sambungan dengan semua sumber listrik sebelum melakukan pemeliharaan.
- Peralatan harus terhubung ke stopkontak yang dibumikan.
- Stopkontak harus dipasang di dekat peralatan dan mudah diakses.
- ⚡ menunjukkan bahaya tegangan listrik, dan pemasangan kabel eksternal ke terminal harus dilakukan oleh ahlinya.
- Jangan meletakkan peralatan di tempat yang tidak kokoh. Peralatan bisa jatuh dan menyebabkan cedera serius hingga kematian.
- Tegangan input harus memenuhi persyaratan SELV (Safety Extra Low Voltage) dan LPS (Limited Power Source) sesuai dengan IEC62368.
- Tegangan sentuh tinggi! Hubungkan ke arde sebelum menghubungkan ke catu daya.
- Jika muncul asap, bau, atau derau dari perangkat, segera matikan perangkat dan cabut kabel daya, lalu hubungi pusat servis.
- Gunakan perangkat dengan UPS, dan gunakan HDD yang direkomendasikan pabrik jika memungkinkan.
- Produk ini dilengkapi dengan baterai sel berbentuk koin/kancing. Baterai yang tertelan dapat menyebabkan luka bakar internal yang parah hanya dalam 2 jam dan dapat mengakibatkan kematian.
- Peralatan ini harus digunakan di lokasi yang jauh dari jangkauan anak-anak.
- PERHATIAN: Risiko ledakan jika baterai diganti dengan jenis yang salah.
- Penggantian baterai yang tidak tepat dengan baterai dari jenis yang salah dapat memengaruhi keamanan (misalnya, untuk beberapa jenis baterai lithium).
- Jangan membuang baterai ke dalam api atau oven panas, atau menghancurkan atau memotongnya secara mekanis, karena dapat menyebabkan ledakan.
- Jangan meletakkan baterai di lingkungan yang bersuhu sangat tinggi, karena dapat menyebabkan ledakan atau kebocoran cairan atau gas yang mudah terbakar.
- Jangan membiarkan baterai terpapar tekanan udara yang sangat rendah, karena dapat menyebabkan ledakan atau kebocoran cairan atau gas yang mudah terbakar.
- Buang baterai bekas sesuai petunjuk
- Jauhkan tubuh Anda dari bilah dan motor kipas. Lepaskan sambungan listrik saat melakukan servis.

Kiat Pencegahan dan Peringatan

Sebelum menghidupkan dan mengoperasikan perangkat, perhatikan kiat-kiat berikut:

- Perangkat ini dirancang hanya untuk penggunaan dalam ruangan. Pasang di lingkungan yang kering, berventilasi baik, dan bebas debu.
- Pastikan perekam terpasang dengan benar pada rak atau kerangka. Benturan atau guncangan besar pada perekam akibat terjatuh dapat menyebabkan kerusakan pada komponen elektronik yang sensitif di dalamnya.
- Peralatan tidak boleh terkena tetesan atau percikan air, dan jangan meletakkan benda yang berisi cairan, seperti vas bunga di atas peralatan.
- Jangan meletakkan sumber nyala api terbuka, seperti lilin yang menyala, di atas peralatan.

- Jangan menghalangi ventilasi dengan menutup lubang ventilasi menggunakan barang-barang, seperti koran, taplak meja, gordena, dll. Jangan menempatkan tempat tidur, sofa, permadani, atau permukaan serupa lainnya di posisi yang dapat menghalangi lubang ventilasi.
- Untuk model tertentu, pastikan pemasangan kabel terminal yang tepat untuk penyambungan ke pasokan listrik AC utama.
- Untuk model tertentu, peralatan dirancang dan, bila perlu, dimodifikasi untuk penyambungan ke sistem distribusi daya TI.
- Hanya gunakan catu daya yang tercantum dalam manual atau petunjuk pengguna.
- Di bawah suhu kerja tinggi (45 °C (113 °F)) hingga 55 °C (131 °F)), catu daya beberapa adaptor daya dapat berkurang.

Memulai

Memulai dengan cara yang tepat sangat penting untuk memperpanjang masa pakai NVR/DVR.

Langkah 1 Hubungkan catu daya ke stopkontak.

Langkah 2 Tekan tombol daya (model tertentu mungkin memiliki tombol daya di panel depan atau belakang). Perangkat mulai menyala.

Mengaktifkan Perangkat

Pengoperasian tidak dapat dilakukan sebelum aktivasi. Diharuskan untuk mengatur kata sandi admin untuk aktivasi perangkat saat pertama kali akses. Perangkat juga dapat diaktivasi melalui peramban web, SADP, atau perangkat lunak klien.

Langkah 1 Masukkan kata sandi yang sama di **Buat Kata Sandi Baru** dan **Konfirmasikan Kata Sandi Baru**.

Langkah 2 Secara opsional, atur email khusus, Hik-Connect, dan pertanyaan keamanan, atau ekspor GUID untuk pengaturan ulang kata sandi di lain waktu.

Langkah 3 Atur kata sandi untuk mengaktifkan kamera jaringan yang terhubung ke perangkat.

Langkah 4 Klik **OK** untuk menyimpan kata sandi dan mengaktifkan perangkat.



ဥပဒေဆိုင်ရာ အချက်အလက်များ

©2020 Hangzhou Hikvision Digital Technology Co., Ltd. မှတ်ပုံတင်ခွင့် အားလုံးကို ရယူထားသည်။

ကုန်ပစ္စည်း အမှတ်တံဆိပ်များအား အသိအမှတ်ပြုခြင်း

HIKVISION နှင့် အခြား Hikvision ၏ ကုန်ပစ္စည်း အမှတ်တံဆိပ်များနှင့် လိုဂိုများသည် တရားစီရင်မှု အမျိုးမျိုးတွင် Hikvision ၏ ပိုင်ဆိုင်မှုများ ဖြစ်သည်။ အောက်တွင် ဖော်ပြထားသည့် အခြား ကုန်ပစ္စည်း အမှတ်တံဆိပ်များနှင့် လိုဂိုများသည် ၎င်းတို့၏ သက်ဆိုင်ရာ ပိုင်ရှင်အသီးသီး၏ ပိုင်ဆိုင်မှုများ ဖြစ်ကြသည်။

HDMI : HDMI နှင့် HDMI High-Definition Multimedia Interface (ကြည်လင်ပြတ်သားမှု မြှင့်မားသည့် မာတီမီဒီယာ အင်တာဖေ့စ်) ဟူသော ဝေါဟာရများနှင့် HDMI လိုဂိုတို့သည် အမေရိကန် ပြည်ထောင်စုနှင့် အခြားနိုင်ငံများသည် HDMI Licensing Administrator, Inc. ၏ မှတ်ပုံတင် အမှတ်တံဆိပ် သို့မဟုတ် မှတ်ပုံတင်ပြီး အမှတ်တံဆိပ်များ ဖြစ်သည်။

ဥပဒေကြောင်းဆိုင်ရာ ဖော်ထုတ်ချက်

သက်ဆိုင်ရာ ဥပဒေက အမြင့်ဆုံး ခွင့်ပြုသည်အထိ ဟာဒ်ဝဲ၊ ဆော့ဖ်ဝဲနှင့် ဖမ်းဝဲတို့နှင့် အတူ ဖော်ပြထားသော ကုန်ပစ္စည်းကို ဖော်ပြထား "သည်အတိုင်း"၊ ကန့်သတ်မှု၊ ကုန်သွယ်နိုင်စွမ်း၊ ကျေနပ်လောက်ဖွယ် အရည်အသွေး၊ သီးခြား ရည်ရွယ်ချက် တစ်စုံတစ်ခုအတွက် ကြိုခိုင်းမှုနှင့် အပြင်အပမူ လူပုဂ္ဂိုလ်များ၏ ချိုးဖောက်မှုများ မရှိဘဲ အတိအလင်းဖြစ်စေ၊ သွယ်ဝိုက်၍ ဖြစ်စေ ပေးမထားပဲ အမှားအယွင်းများ ချို့ယွင်းမှုများ အားလုံးအတွက် HIKVISION က မည်သည့် အာမခံချက်ကိုမျှ ပေးမထားပါ။ မည်သည့်အခြေအနေတွင်မဆို ထုတ်ကုန်ပစ္စည်း ပြဿနာကြောင့်ဖြစ်စေ၊

သို့မဟုတ်ပါက ဤထုတ်ကုန်ပစ္စည်းအား အသုံးပြုမှုကြောင့် ဖြစ်စေ စီးပွားရေးလုပ်ငန်း အကျိုးအမြတ် ဆုံးရှုံးမှု သို့မဟုတ် အချက်အလက် ဆုံးရှုံးမှု၊ စနစ်များ ယိုယွင်းပျက်စီးမှု သို့မဟုတ် စာရွက်စာတမ်း ပျက်စီး ပျောက်ဆုံးမှုကြောင့် ထိခိုက်မှုများ အပါအဝင် အထူးတလည်၊ အကျိုးဆက်စပ်၍ မတော်တဆ သို့မဟုတ် တိုက်ရိုက် ထိခိုက်မှုများအတွက် HIKVISION အား အကြံပြု အသိပေးပြီး ဖြစ်စေကာမူ HIKVISION ၎င်း၏ ဒါရိုက်တာများ၊ အရာရှိများ၊ ဝန်ထမ်းများနှင့် အေးချင့်များမှ တာဝန်ယူမည် မဟုတ်ပါ။

အင်တာနက် သဘောသဘာဝအရ တည်ရှိဆဲ လုံခြုံရေး ဘေးအန္တရာယ်များ ပေးနိုင်သည်ကို သင် အသိအမှတ်ပြုပြီး ပုံမှန်မဟုတ်သော လုပ်ငန်းလည်ပတ်မှု၊ ပုဂ္ဂိုလ်ရေးဆိုင်ရာ အချက်အလက် ပေါက်ကြားမှု သို့မဟုတ် ဆိုင်ဘာ တိုက်ခိုက်မှုများ၊ ဟက်ကာ တိုက်ခိုက်မှုများ၊ ဝိုင်းရစ်စ် ကူးစက်မှု သို့မဟုတ် အခြား အင်တာနက် လုံခြုံရေး အန္တရာယ်များ၏ ရလဒ်အဖြစ် ဖြစ်ပေါ်လာသော အခြားပျက်စီးမှုများ၊ အပေါ် HIKVISION သည် တာဝန်ယူလိမ့်မည်မဟုတ်ပါ။ သို့ရာတွင် HIKVISION သည် လိုအပ်ပါက နည်းပညာပံ့ပိုးမှုကို အချိန်နှင့် တစ်ပြေးညီပေးသွားမည်။

စောင့်ကြပ်မှုဆိုင်ရာ ဥပဒေများသည် တရားစီရင်မှုအလိုက် ကွဲပြားခြားနားသည်။ သင်၏ အသုံးပြုမှုသည် သက်ဆိုင်ရာ ဥပဒေနှင့် အကျိုးစပ်မှု ရှိမရှိ သေချာစေရန် အတွက် ဤကုန်ပစ္စည်း အသုံးမပြုမီတွင် ကျေးဇူးပြု၍ သင်၏ တရားစီရင်မှု အဝန်းအဝိုင်းတွင်းရှိ သက်ဆိုင်ရာ ဥပဒေများကို စိစစ်ပါ။ ဤကုန်ပစ္စည်းကို သတ်မှတ်ထားသော ရည်ရွယ်ချက်အတွက် မဟုတ်ဘဲ အသုံးပြုမှု ဖြစ်ရပ်အပေါ် HIKVISION က တာဝန်ခံခြင်း ရှိမည်မဟုတ်ပါ။

ဤလမ်းညွှန်နှင့် သက်ဆိုင်ရာ ဥပဒေတို့အကြား ကွဲလွဲမှုများ ရှိခဲ့ပါက ဥပဒေပါ ပြဌာန်းချက်ကိုသာ အတည်ယူရမည်။

စည်းကမ်းချက်ဆိုင်ရာ အချက်အလက်များ **EU စည်းကမ်းချက် ကိုက်ညီမှုဆိုင်ရာ ကြေငြာချက်**



ဤထုတ်ကုန်ပစ္စည်း နှင့် (သက်ဆိုင်ပါက) ထည့်သွင်းပါရှိသော အပိုပစ္စည်းများသည်လည်း "CE" ဟု မှတ်သားထားသောကြောင့် RED-လမ်းညွှန်ချက် 2014/53/EU၊ EMC လမ်းညွှန်ချက် 2014/30/EU၊ LVD လမ်းညွှန်ချက် 2014/35/EU၊ RoHS လမ်းညွှန်ချက် 2011/65/EU တို့အောက်တွင် ဖော်ပြထားသော သက်ဆိုင်ရာ ဥပဒေပ ဟန်ချက်ညီမှု စံချိန်စံညွှန်းများနှင့် ကိုက်ညီသည်။



2012/19/EU (WEEE ညွှန်ကြားချက်)- ဤသင်္ကေတ ကပ်ထားသည့် ထုတ်ကုန်များကို ဥပဒေပသမဂ္ဂအတွင်း ရောနှောစည်ပင် အမှိုက်အနေဖြင့် စွန့်ပစ်နိုင်ခြင်း မရှိပါ။ သေချာစွာ ရီဆိုင်ကယ်လုပ်ရန်အတွက် ဤထုတ်ကုန်ပစ္စည်းကို အလားတူ ပစ္စည်းအသစ် တစ်ခု ဝယ်ယူချိန်တွင် သင့်နှယ်ခံ ပစ္စည်းရောင်းချသူထံ ပြန်ပေးပါ သို့မဟုတ် သတ်မှတ်ထားသည့် ပစ္စည်းစုဆောင်းသော နေရာများ၌ စွန့်ပစ်ပါ။ ထပ်မံသိလိုသည်များ ရှိပါက- www.recyclethis.info



2006/66/EC (ဘက်ထရီဆိုင်ရာ ညွှန်ကြားချက်)- ဤထုတ်ကုန်ပစ္စည်းတွင် ဥပဒေပသမဂ္ဂအတွင်း ရောနှောစည်ပင်အမှိုက်အနေဖြင့် စွန့်ပစ်နိုင်ခြင်း မရှိသည့် ဘက်ထရီတစ်လုံး ပါဝင်နေပါသည်။ ဘက်ထရီအတွက် သီးသန့်အချက်အလက်များကို ထုတ်ကုန်ပစ္စည်းပါ စာရွက်စာတမ်းများ၌ ကြည့်ပါ။ ဤဘက်ထရီကို ကတ်ဒီယမ် (Cd)၊ ခဲ (Pb) သို့မဟုတ် ပြဒါး (Hg) ဟု ညွှန်ပြမည့် စွန့်ပစ်ခြင်း ပါဝင်နိုင်ကြောင်း ဤသင်္ကေတဖြင့် မှတ်သားထားပါသည်။ သေချာစွာ ရီဆိုင်ကယ်လုပ်ရန်အတွက် ဤဘက်ထရီကို သင့်နှယ်ခံ ပစ္စည်းရောင်းချသူထံ ပြန်ပေးပါ သို့မဟုတ် သတ်မှတ်ထားသည့် စုဆောင်းသော နေရာ၌ စွန့်ပစ်ပါ။ ထပ်မံသိလိုသည်များ ရှိပါက- www.recyclethis.info

RED-လမ်းညွှန်ချက် 2014/53/EU အတွက် EU အတွင်း ဇီတာလိုင်၊ ထုတ်လွှတ်မှု ပါဝါ (EIRP) နှင့် ကြိမ်နှုန်း အတိုင်းအတာတို့မှာ အောက်တွင်ဖော်ပြထားသည့် အတိုင်း ဖြစ်သည်။
Wi-Fi ကိရိယာများ။

| စိတာလှိုင်း | ထုတ်လွှင့်မှု ပါဝါ (EIRP) | ကြိမ်နှုန်း အတိုင်းအတာ |
|---------------|--|------------------------|
| Wi-Fi 2.4 GHz | 802.11b: 17 dBm 802.11g: 15 dBm 802.11n: 14dBm | 2.402 GHz မှ 2.483 GHz |

2G/3G/4G ကိရိယာများ။

| စိတာလှိုင်း | ထုတ်လွှင့်မှု ပါဝါ (EIRP) | Tx ကြိမ်နှုန်း အတိုင်းအတာ | Rx ကြိမ်နှုန်း အတိုင်းအတာ |
|--|---|---|---|
| 2G: GSM900/DCS1800 3G: WCDMA B1/B5/B8 4G: FDD-LTE B1/3/5/7/8/20 TDD-LTE B38/40/41 | GSM900: 33 dBm ± 2 dBm DCS1800: 30 dBm ± 2 dBm WCDMA စိတာလှိုင်း 1: 24 dBm +1/-3 dBm WCDMA စိတာလှိုင်း 5: 24 dBm +1/-3 dBm WCDMA စိတာလှိုင်း 8: 24 dBm +1/-3 dBm LTE FDD စိတာလှိုင်း: 23 dBm ± 2 dBm LTE TDD စိတာလှိုင်း: 23 dBm ± 2 dBm | GSM900: 880 မှ 915 MHz DCS1800: 1710 မှ 1785 MHz WCDMA စိတာလှိုင်း 1: 1920 မှ 1980 MHz WCDMA စိတာလှိုင်း 5: 824 မှ 849 MHz WCDMA စိတာလှိုင်း 8: 880 မှ 915 MHz LTE စိတာလှိုင်း 1: 1920 မှ 1980 MHz LTE စိတာလှိုင်း 3: 1710 မှ 1785 MHz LTE စိတာလှိုင်း 5: 824 မှ 849 MHz LTE စိတာလှိုင်း 7: 2500 မှ 2570 MHz LTE စိတာလှိုင်း 8: 880 မှ 915 MHz LTE စိတာလှိုင်း 20: 832 မှ 862 MHz LTE စိတာလှိုင်း 38: 2570 မှ 2620 MHz LTE စိတာလှိုင်း 40: 2300 မှ 2400 MHz LTE စိတာလှိုင်း 41: 2496 မှ 2690 MHz | GSM900: 925 မှ 960 MHz DCS1800: 1805 မှ 1880 MHz WCDMA စိတာလှိုင်း 1: 2110 မှ 2170 MHz WCDMA စိတာလှိုင်း 5: 869 မှ 894 MHz WCDMA စိတာလှိုင်း 8: 925 မှ 960 MHz LTE စိတာလှိုင်း 1: 2110 မှ 2170 MHz LTE စိတာလှိုင်း 3: 1805 မှ 1880 MHz LTE စိတာလှိုင်း 5: 869 မှ 894 MHz LTE စိတာလှိုင်း 7: 2620 မှ 2690 MHz LTE စိတာလှိုင်း 8: 925 မှ 960 MHz LTE စိတာလှိုင်း 20: 791 မှ 821 MHz LTE စိတာလှိုင်း 38: 2570 မှ 2620 MHz LTE စိတာလှိုင်း 40: 2300 မှ 2400 MHz LTE စိတာလှိုင်း 41: 2496 မှ 2690 MHz |

သေးကင်းလုံခြုံရေး ညွှန်ကြားချက်များ

- စကားစုကပ်များအားလုံး၏ ခိုင်မာသော တည်ဆောက်ပုံနှင့် အခြား လုံခြုံရေး ဆက်တင်များသည် တပ်ဆင်သူနှင့်/သို့မဟုတ် နောက်ဆုံး အသုံးပြုသူ၏ တာဝန်သာ ဖြစ်သည်။
- မီးပလပ်ခေါင်းကို ပါဝါ ပလပ်ခေါက်တွင် ခိုင်ခိုင်မာမာ ဆက်သွယ်ပါ။ ပါဝါအဒက်ပတာ တစ်ခုထဲတွင် ကိရိယာအများအပြားကို တပ်ဆင်ခြင်း မပြုပါနှင့်။ အပိုပစ္စည်းများ၊ တိုးချဲ့ပစ္စည်းများ တပ်ဆင်ခြင်း၊ ဖြုတ်ခြင်း မပြုမီတွင် ကိရိယာကို ပါဝါ ဖြုတ်ထားပါ။

- ရှေးခန့်အန္တရာယ်ရှိသည်။ ပြုပြင်ထိန်းသိမ်းခြင်း မပြုမီ ပါဝါ ရင်းမြစ်များအားလုံးကို ဖြုတ်ထားပါ။
- ကိရိယာကို မြေစိုက်အပ်ကြိုးတပ်ဆင်ထားသော ပင်မပလပ်မေက်နှင့် ဆက်သွယ်ထားရမည်။
- ပလပ်မေက်ကို ကိရိယာအနီးတွင် တပ်ဆင်ထားရမည်ဖြစ်ပြီး အလွယ်တကူ ထိုးချိတ်နိုင်ရမည် ဖြစ်သည်။
- ၎င်းက ရည်ညွှန်းသည်မှာ ဘေးအန္တရာယ်ရှိပြီး တာမီနယ်နှင့် ပြင်ပ ဝါယာကြိုး ဆက်သွယ်မှုများကို ညွှန်ကြားထားသော ပုဂ္ဂိုလ်ကသာ တပ်ဆင်ရန် လိုအပ်သည်။
- တည်ငြိမ်မှု မရှိသော နေရာတွင် ကိရိယာကို မည်သည့်အခါမျှ မထားပါနှင့်။ ဤကိရိယာ ပြုတ်ကျ၍ အနာတရ ပြင်းထန်စွာဖြစ်စေ၊ အသက်ဆုံးရှုံးသည်အထိ ဖြစ်စေ အန္တရာယ် ဖြစ်စေနိုင်သည်။
- အဝင် ဗို့အားသည် IEC62368 နှင့် အညီ SELV (ဘေးကင်းသော အပိုဆောင်း ဗို့အားနိမ့်) နှင့် LPS (ကန့်သတ် ပါဝါ ရင်းမြစ်) နှင့် ကိုက်ညီရမည်။
- အဝင်လျှပ်စီးအားမြင့်မားသည်။ ပါဝါ ဖြန့်ဝေမှုနှင့် မဆက်သွယ်မီ မြေစိုက်အပ်ကြိုးကို ဆက်သွယ်ပါ။
- ကိရိယာမှ မီးခိုး၊ အနံ့ သို့မဟုတ် ဆူညံသံများ ထွက်ပေါ်လာပါက ပါဝါကို ချက်ခြင်းပိတ်ပြီး ပါဝါကြိုးကို ဖြုတ်ပါ။ ထို့နောက် ကျေးဇူးပြု၍ ပြုပြင်ထိန်းသိမ်းရေး စင်တာကို ဆက်သွယ်ပါ။
- ကိရိယာကို UPS နှင့် သုံးသုံးပြီး ဖြစ်နိုင်ပါက စက်ရုံက အကြံပြုထားသော HDD ကို အသုံးပြုပါ။
- ဤကုန်ပစ္စည်းတွင် အကြွေစေ့/ကြယ်သီးအရွယ်ဆီလ် ဘက်ထရီ ပါဝင်သည်။ ဘက်ထရီကို ခြုံချပါက ၂ နာရီအတွင်း ပြင်းထန်သော ကိုယ်တွင်း လောင်ကျွမ်းမှု ဖြစ်နိုင်ပြီး သေဆုံးသည်အထိ ဖြစ်စေနိုင်သည်။
- ဤကိရိယာကို ကလေးများရှိနိုင်သည့် နေရာမျိုးတွင် အသုံးပြုရန် မသင့်လျော်ပါ။
- သတိ - မှန်ကန်မှုမရှိသော ဘက်ထရီအမျိုးအစားဖြင့် လဲမိပါက ပေါက်ကွဲမှုဖြစ်နိုင်သည်။
- ဘက်ထရီကို ပုံစံမမှန်ဘဲ မှားယွင်းသော အမျိုးအစားတစ်ခုဖြင့် အသစ်လဲခဲ့ပါက safeguard ပျက်စီးနိုင်သည် (ဥပမာအားဖြင့် အချို့သော လစ်သီယမ် ဘက်ထရီအမျိုးအစားများတွင်)။
- ဘက်ထရီကို ပေါက်ကွဲမှု ဖြစ်ပေါ်စေနိုင်သည့် မီးအတွင်းသို့၊ သို့မဟုတ် မီးဖိုအတွင်း၊ သို့မဟုတ် စက်ပစ္စည်းသုံး ထုခြင်း၊ သို့မဟုတ် ဖြုတ်တောက်ခြင်း ဖြင့် မစွန့်ပစ်ပါနှင့်။
- ဘက်ထရီကို အလွန်အမင်း မြင့်မားသည့် အပူချိန်ရှိသည့် ပတ်ဝန်းကျင်တွင် မထားပါနှင့်။ ပေါက်ကွဲမှု ဖြစ်နိုင်သည် သို့မဟုတ် မီးလောင်လွယ်သည့် အရည် သို့မဟုတ် ဓာတ်ငွေ့များ ထွက်လာနိုင်သည်။
- ဤဘက်ထရီကို အလွန်နိမ့်သည့် လေဖိအားနှင့် ထိတွေ့ခြင်း မရှိစေရ။ ပေါက်ကွဲမှု ဖြစ်နိုင်သည် သို့မဟုတ် မီးလောင်လွယ်သည့် အရည် သို့မဟုတ် ဓာတ်ငွေ့များ ထွက်လာနိုင်သည်။
- သုံးစွဲပြီး ဘက်ထရီများကို ညွှန်ကြားထားသည့်အတိုင်း စွန့်ပစ်ပါ။
- ကိုယ်ထည် အစိတ်အပိုင်းများကို ပန်ကာရွက်နှင့် မော်တာများမှ ဝေးဝေးတွင် ရှိပါစေ။ ကြံ့ခိုင်မှုစစ်ဆေး ပြင်ဆင်ချိန်တွင် ပါဝါရင်းမြစ်ကို ဖြုတ်ထားပါ။

ကာကွယ်မှုနှင့် သတိပြုရန် အကြံပေးချက်များ

သင့်ကိရိယာကို မချိတ်ဆက်မီနှင့် အသုံးမပြုမီ ကျေးဇူးပြု၍ အောက်ပါ အကြံပြုချက်များကို လက်ခံပါ။

- ကိရိယာကို အဆောက်အဦတွင်း အသုံးပြုရန်အတွက်သာ ဒီဇိုင်း လုပ်ထားသည်။ ယင်းကို အရည်များ မရှိသော ဖုန်ကင်းစင်သည့် လေဝင်လေထွက် ကောင်းသော နေရာတွင် တပ်ဆင်ပါ။
- ရီကော်ဒါ စင်တစ်ခုခုတွင် အသေအချာ ခိုင်မြဲစွာ တပ်ဆင်ထားပါ။ အောက်သို့ပြုတ်ကျခြင်းကြောင့် ဖြစ်သော ကြီးမားသည့် ရိုက်ခတ်မှု၊ သို့မဟုတ် တုန်လှုပ်မှုများသည် ရီကော်ဒါအတွင်းရှိ ထိရှလွယ်သော အီလက်ထရွန်နစ် အစိတ်အပိုင်းများကို ပျက်စီးစေနိုင်သည်။
- ကိရိယာကို ရေစက်ကျခြင်းများ သို့မဟုတ် ရေဖြန်းပက်ခြင်းများနှင့် မထိတွေ့စေရဘဲ ပန်းအိုးကဲ့သို့သော အရည်ဖြည့်ထားသော မည်သည့်အရာကိုမျှ ပစ္စည်းပေါ်တွင် မတင်ရပါ။
- မီးထွန်းထားသည့် ဖလောင်းတိုင်များ ကဲ့သို့သော အကာအကွယ်မရှိသည့် မီးအရင်းအမြစ်များကို ကိရိယာအပေါ်တွင် မထားရပါ။

- လေဝင်လေထွက် အတားအဆီး မဖြစ်စေရန်အတွက် လေဝင်လေထွက် အပေါက်များကို သတင်းစာများ၊ စားပွဲခင်းများ၊ ကန်လန်ကာများ စသည်တို့နှင့် ပိတ်ကာထားခြင်း မပြုရပါ။ ကိရိယာကို အိပ်ယာ၊ ဆိုဖာ၊ ဖျာ သို့မဟုတ် အခြားသော အလားတူမျက်နှာပြင်များပေါ် တင်ထားခြင်းဖြင့် ၎င်းလေဝင်လေထွက် အပေါက်များကို မပိတ်စေရပါ။
- အချို့သော မော်ဒယ်များအတွက် မိန်း AC ပါဝါ နှင့် ဆက်သွယ်ရန်အတွက် တာမီနယ်များတွင် ဝါယာကြိုး တပ်ဆင်မှု မှန်ကန်အောင် သတိပြုပါ။
- အချို့သော မော်ဒယ်များအတွက် ကိရိယာကို လိုအပ်ပါက IT ပါဝါ ဖြန့်ဝေမှု စနစ်နှင့် ဆက်သွယ်ရန်အတွက် ပြင်ဆင်ထားရှိအောင် ဒီဇိုင်း လုပ်ထားသည်။
- သုံးစွဲသူ လက်စွဲတွင် သို့မဟုတ် သုံးစွဲသူ လမ်းညွှန်ချက်များ တွင် ဖော်ပြထားသော ပါဝါ ရင်းမြစ်များကိုသာ အသုံးပြုပါ။
- မြင့်မားသည့် အပူချိန်အောက် (45 °C (113 °F) မှ 55 °C (131 °F))တွင် လုပ်ဆောင်ပါက၊ အချို့သော ပါဝါအဒက်ပတ်၏ ပါဝါထောက်ပံ့မှုသည် လျော့နည်းသွားလိမ့်မည်။

စတင်ခြင်း

NVR/DVR ၏ သက်တမ်း ရှည်ကြာစေရန် မှန်ကန်သောစတင်မှုလုပ်ရန် အရေးကြီးသည်။

အဆင့် ၁ လျှပ်စစ်မီးခေါင်းတွင် ပါဝါခေါင်းကို တပ်ဆင်ပါ။

အဆင့် ၂ ပါဝါ ခလုတ်ကို နှိပ်ပါ။ (အချို့သော မော်ဒယ်များတွင် ပါဝါ ခလုတ်သည် အရှေ့ သို့မဟုတ် အနောက် မျက်နှာပြင်တွင် ရှိသည်။) ကိရိယာသည် စတင်လိမ့်မည်။

သင်၏ ကိရိယာကို စတင်သက်ဝင်စေပါ။

စတင်သက်ဝင်ခြင်းမပြုမီ မည်သည့် လုပ်ငန်းကိုမျှ စွင့်မပြုပါ။ ပထမဆုံး အသုံးပြုရာတွင် ယင်းသည် ကိရိယာကို စတင် သက်ဝင်ရန်အတွက် အက်ဒမင် စကားဝှက် ထည့်သွင်းရန် လိုအပ်သည်။ သင်သည် ဝက်ဘ်ရောက်ဖာ၊ SADP သို့မဟုတ် သုံးစွဲသူ ဆော့ဖ်ဝဲကို အသုံးပြုပြီးလည်း ကိရိယာကို စတင်သက်ဝင်စေနိုင်သည်။

အဆင့် ၁ တူညီသောစကားဝှက်ကို စကားဝှက်အသစ် ဖန်တီးပါ နှင့် စကားဝှက်အသစ်ကို အတည်ပြုပါတွင် ထည့်သွင်းပါ။

အဆင့် ၂ မလုပ်လိုက ကျော်သွားနိုင်ပါသည်။ အရံအီးမေးလ်၊ Hik-Connect ၊ လုံခြုံရေးမေးခွန်းများ သတ်မှတ်ခြင်း လုပ်ဆောင်ပါ သို့မဟုတ် နောင်အသုံးပြုရန် စကားဝှက် ပြန်လည်သတ်မှတ်ခြင်း အတွက် GUID ကို ထုတ်ယူပါ။

အဆင့် ၃ ကိရိယာတွင် ချိတ်ဆက်ထားသော ကွန်ရက် ကင်မရာ (များ) ကို စတင်စဉ်ကို စကားဝှက်ကို ထည့်သွင်းပါ။

အဆင့် ၄ အိုကော ကို နှိပ်ပြီး စကားဝှက်ကို သိမ်းဆည်းကာ ကိရိယာကို စတင်စေပါ။

