



USER MANUAL FOR 8,5" E-SCOOTER

NASA-MERCURY85-10W

Page 3-24	EN	USER MANUAL
Page 25-46	CZ	UŽIVATELSKÝ MANUÁL
Page 47-68	SK	POUŽÍVATEĽSKÁ PRÍRUČKA

NASA-MERCURY85-10W E-SCOOTER

EN

WARNING FOR ELECTRIC KICKSCOOTER

Read and follow all the instruction in the user manual before using the e-scooter.

Collisions, falls, and loss of control can damage people and objects around you.

Owners of the e-scooter must check and obey any local laws applicable to e-scooter usage concerning helmet use, speed limits, and accessible areas.

This e-scooter conforms to the decree of electric mobility.

This electric kick scooter is not a toy and is not suitable for children under the age of 14 (check your local laws).

Adult supervision is required for riders under the age of 18.

This product can not transport more than one person at time.

This appliance can be used by persons with reduced physical, sensory or mental capabilities or lack of experience and knowledge if they have been given supervision or instructions concerning use of the appliance in a safe way and understand the hazards involved.

Children shall not play with the appliance. Keep the battery out of the reach of small children.

Cleaning and user maintenance shall not be made by children without supervision.

WARNING FOR BATTERY CHARGER

This appliance is not a toy.

Children shall not play with the appliance.

Adult supervision is required for minors.

This appliance can be used by persons with reduced physical, sensory, or mental capabilities or lack of experience and knowledge if they have been given supervision or instructions concerning use of the

appliance in a safe way and understand the hazards involved.

Cleaning and user maintenance shall not be made by children without supervision.

Do not recharge non-rechargeable batteries.

The battery is to be disposed of safely.

Introduction

For your better use experience, please read this product manual carefully. Keep this user manual for future references.

In order to avoid damage, carefully read and follow the instructions of this user manual.

The user is responsible of all consequences from the incorrect use of the electric kick scooter.

The Retailer and the Distributor are not responsible of damages to objects and/or people caused by the incorrect use of the device.

This e-scooter can be used by one user at one time only.

Please use the product if in good condition only. Please check whether the tires are damaged. If anything abnormal, please provide for maintenance.

If you lose control during driving, you may cause damage to you or to other people.

For private use only. Forbid to use the electric kick scooter on vehicle roads (check the local laws).

Before riding the electric kick scooter, the battery must be fully charged. Follow the instructions on this user manual to avoid technical problems.

ATTENTION

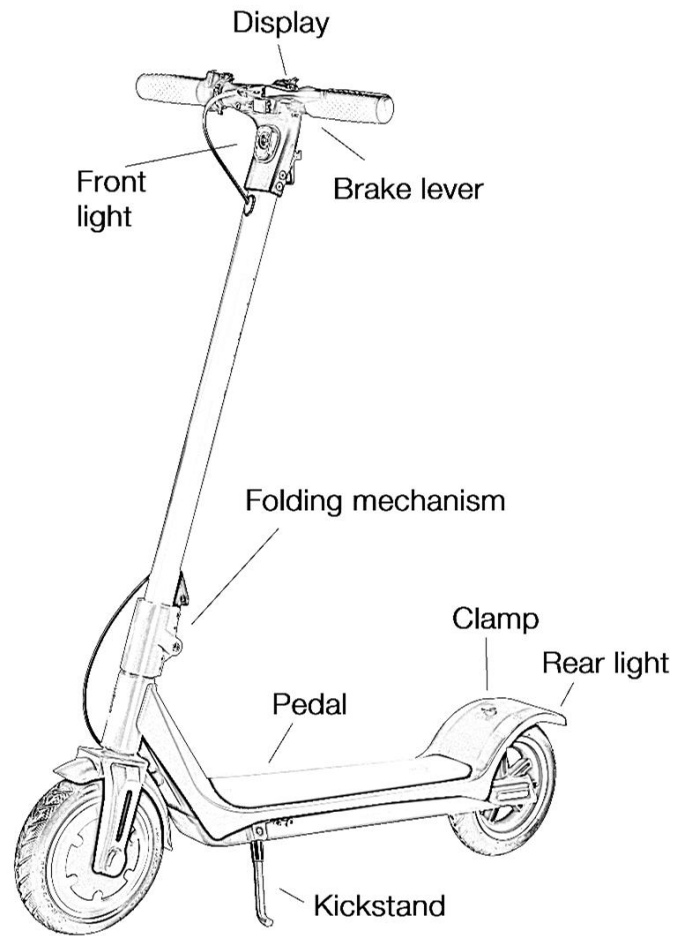
The battery is the heart of the main energy resources of the device, pay attention to its habit when using the battery.

The battery cannot be discharged and should be fully powered before each use.

Avoid deep current discharge, recharge the battery in time when the level is very low.

Fully charge the battery every 2 months for 6-8H, even when the electric kick scooter is not used.

The product



Folding/Unfolding steps

How to unfold

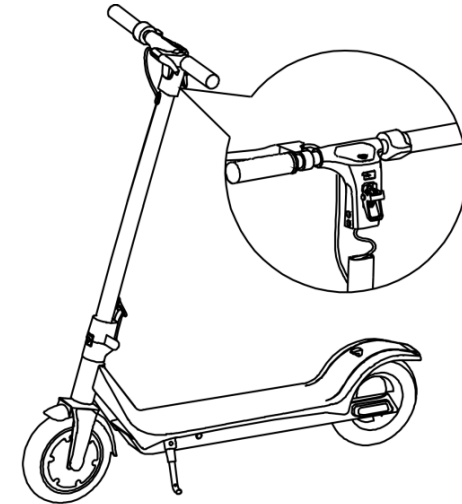
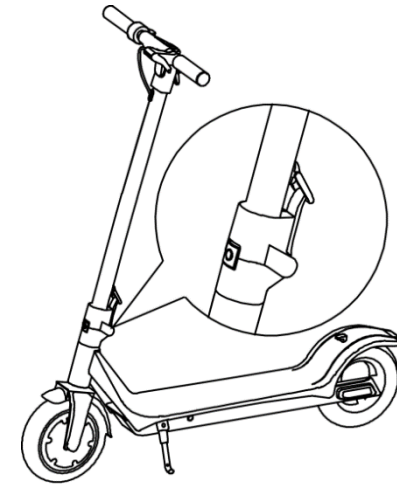
The kickscooter is folded inside its box.

Hand pull the handlebar from the rear wheel.

Upward the handlebar.

Close the lever of the handlebar.

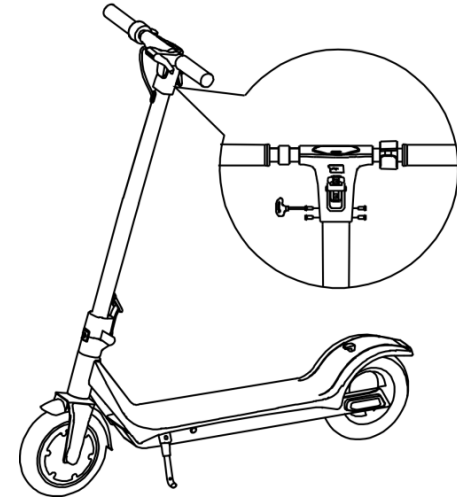
Note: after installation is completed, please double check to make sure the interlock button is reset.



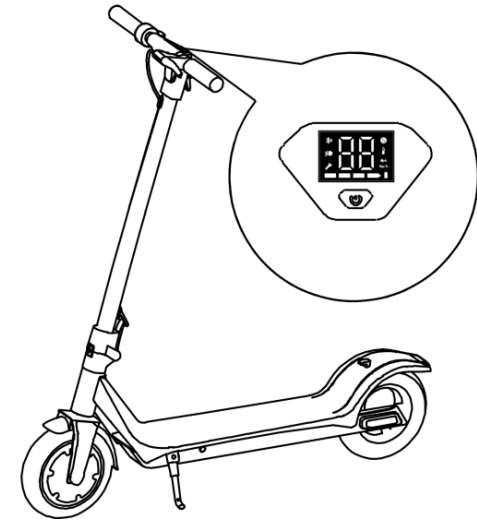
For the very first use, please assemble the vertical handlebar.

See below “Handlebar assembling” for more details.

Use a screwdriver to tighten the 4 screws on the handlebar.



When the installation is done, please test the power switch of the display.
If the display turns-on, the installation is well done.
You can use the easel to keep the kick scooter standing alone.



How to fold

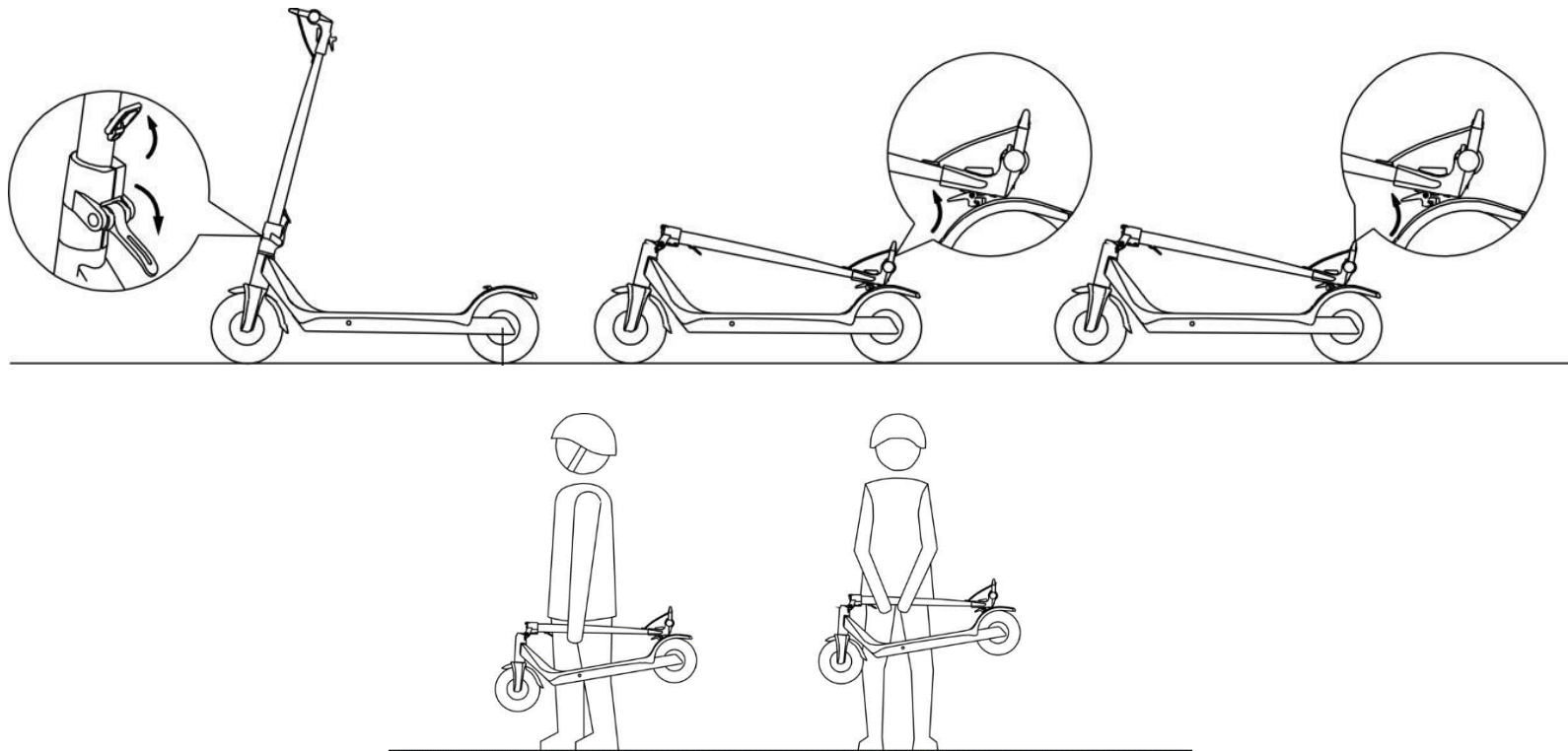
Be sure the display is off.

Open the interlock button and pull out the clamp of the handlebar at the same time.

Fold the handlebar. Hook the handlebar to the rear wheel.

The folding procedure is now completed.

The product can be easily carried.



Handlebar assembling



1. To insert the handlebar correctly, without damaging the cables inside it, gently pull the 3 cables in the lower part of the handlebar stem.
2. Assemble the handlebar to the stem.
3. When the handlebar has been correctly fixed with the screws, push the three cables towards the inside of the handlebar shaft so that they are not in the way when using the scooter.
4. Finally, use the rubber spiral provided: wrap it around the three cables.

LED Display

The LED display is on top of the handlebar, in front of the user.

Long press the power button to turn on/off the e-scooter.

Short press the power button one time to switch from Gear 1 to Gear 2. Short press again to switch from Gear 2 to Gear 3.

Quickly press the power button two times to turn on/off the front LED light. Quickly press the power button three times to switch from Km/h to MPH.

The unit will automatically turn off when not in use for 10 minutes.

This is how the display looks:

Current speed

The speed is showed in Km/h. It will change along with the current speed.

Bluetooth symbol

The function is not available for this product. This indicator will never turn-on.

Temperature indicator

The function is not available for this product. This symbol will never turn-on.

Light indicator

This symbol will turn-on when the front light is powered.

Quickly press the power button two times to turn on/off the front and rear LED light.

Battery capacity

The battery capacity of the e-scooter is displayed by four bars, from 100% (full battery) to 0% (empty battery). The display will light on four bars when the battery is full and one bar only for very low battery. During use the power of the battery gradually decreases. When the energy of the battery is very low (one bar on only), please stop riding for your safety and charge the battery for further use.

Speed mode

Gear 1 is for low speed (**6km/h max**), gear 2 for mid speed (**15km/h max**) and gear 3 is for high speed (**25km/h max**).



Short press the power button one time to switch from Gear 1 to Gear 2. Short press again to switch from Gear 2 to Gear 3. For safety reason, it is suggested to change the gear the kick scooter is stopped only. Memory function when power-off: the gear will be the one used during last use.

Cruise indicator

The function is not available for this product. This symbol will never turn-on.

Instructions for use

Before riding the electric kick scooter for the first time, the battery must be fully charged.

Follow the instructions on this user manual to avoid technical problems.

Try to recharge after each ride, which can greatly extend the service life of the battery.

First put the electric kick scooter on a flat surface.

The electric kick scooter is developed for flat grounds. Take care of uneven and bumpy grounds.

Press the power button on the display, to turn-on the display and the unit.

Verify the level of the battery power on the display.

Select the desired gear.

Turn on the lights when driving at night or dark places. Wear a reflective vest, if required by the local laws.

Put one foot on the pedal. Stand on the pedal with one leg only. Keep the two hands on the handlebar.

This e-scooter has a “kick-and-go” function for your safety: this will avoid a standing start.

Just push with the foot your e-scooter forward and the motor will be activated when you reach 3km/h.

Gently press the lever on the right handle: the device will accelerate.

Step on with the other foot whilst the electric kick scooter is moving.

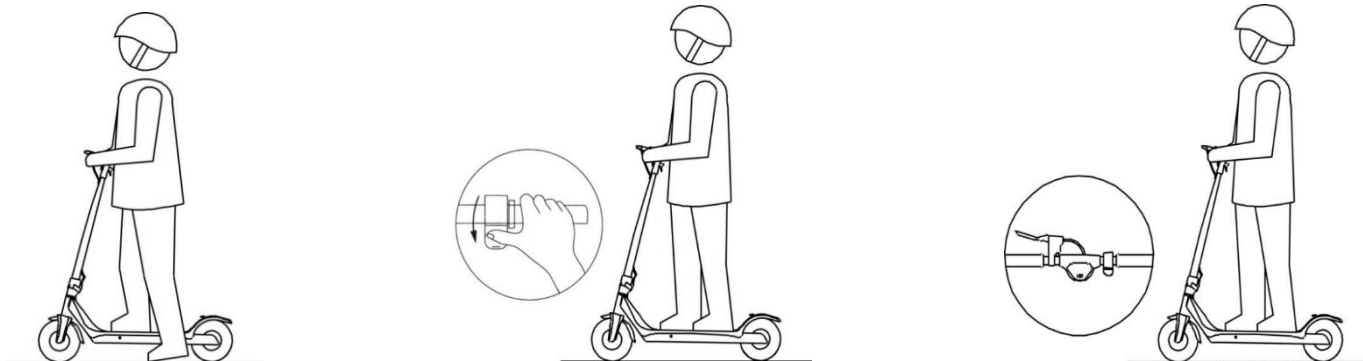
Release the acceleration lever to slow-down. Pull the brake lever on the left handle: the electric kick scooter will brake.

Stop the electric kick scooter and remove the feet, one by one.

Turn off the display.

Use the easel to keep the electric kick scooter standing alone, when not in use.

The scooter is designed for flat terrain. Beware of uneven and/or bumpy terrain.



Distance

The maximum range of the scooter is 25-30 km approx.

This maximum range is affected by the road type (flat and smooth ground will increase the distance, otherwise the distance will be reduced), by the ambient temperature, by the maintenance (tyres, battery), by the weight of the user (the heavier the user is, the shorter the range is), the riding style (a lower speed extends the range).

Loading

Driver's maximum weight should be of 100 Kg and minimum weight should be 30 Kg.

These limits ensure the driver's safety and reduce damages to the scooter.

Battery

The battery charge (and therefore the maximum distance) is affected by some factors like:

1. Ground (when ground is not flat, the discharge is increased).
2. Weight of the user.
3. Ambient temperature.

4. Drive style and speed will affect the life of the battery charge: a constant and moderate speed, positively affect the charge of the battery; a high and inconsistent speed, will reduce the life of the battery charge.
5. Maintenance (battery must be kept in good condition by the user and must be charged in the correct way).

WARNING

Charge the battery before first use. Fully charge the battery every 2 months (6-8H), even when the kick scooter is not used.

Battery Charging

Charge the battery before using the electric kick scooter for the first time.

When you find the power-indicator shows very low energy, please stop riding for your safety.

Try to recharge after each ride, which can greatly extend the service life of the battery.

Charging should be in a safe, dry, and clean environment.

The kick scooter must be powered-off before proceeding with charging.

Do not use the kick scooter when charging the battery.

WARNING/ATTENTION

The battery contains dangerous substances.

Do not charge the battery if the temperature is lower than 0°C.

Do not attempt to open the battery and do not insert objects inside it.

Do not charge overnight or when you are not able to observe the e-scooter.

Charge and store in an open dry area, away from combustibles (meaning items that can catch fire).

Do not charge directly after riding. Let the device cool for an hour before charging.

If giving to someone for the holidays, leave it in its partially charged state. Do not take it out of the package to bring it to a full charge and then wrap it back up. Often, the product comes partially charged. Leave it in that state until it is ready to be used.

Correctly dispose and recycle the batteries according to local recycling and environmental regulation.

Never treat the batteries as common domestic waste, to prevent explosion and pollution.

Never throw the batteries into fire.

The battery must be removed from the kick scooter before it is scrapped.

Only the original charger must be used. Please refer to your retailer in case replacement is required.

CAUTIONS

Do not use the e-scooter if the battery is low.

Do not use the e-scooter in case of burning smell.

Do not use the e-scooter if anything leaks out from the battery.

Do not touch anything leaking out from the battery.

Do not let children or animals touch the battery.

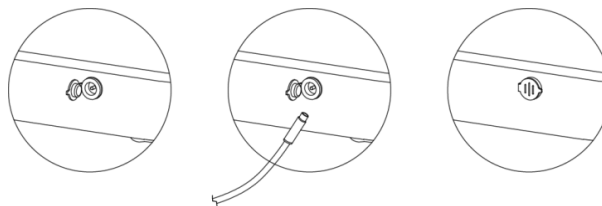
Unplug the charger before riding the e-scooter.

Only use the supplied battery and the supplied charger.

Only professionals can disassemble and maintain the battery. Please refer to your Retailer.

INSTRUCTIONS FOR CHARGING

1. Ensure the charging port is dry. Open the protective cover and insert the charger into the e-scooter charging port. The other end of the charger must be connected to the mains to activate the charger.
2. First connect the cable of the battery charger to the e-scooter. Then, connect the cable of the battery charger to the mains.



3. The indicator light on the charger will be red: this grants that the charge is proceeding. Charging should be in a safe, dry, and clean environment.
4. When the indicator light is turned to green colour, the battery is fully charged.

Please stop charging or the battery life will be reduced.

Charging time is around 6-8 hours. Too long charging time will affect the battery life.

5. Remove the cable of the battery charger. Put the cover back to position.

Keep the product and the battery at the recommended temperature to keep the highest efficiency of the e-scooter and of the battery. If used in an extreme cold or hot environment, the charging time will be lengthened too. Working temperature: 0°C ~ 40°C. Please check the temperature of the battery during the charging process. Charging temperature must be: 0°C ~ 40°C. Humidity level during charge must be: 5%-95%.

If the temperature is higher than 40°C, the scooter functioning might be damaged and battery life might be reduced.

Transport of the battery

Lithium batteries are considered dangerous goods.

Please check the local law about transportation.

Speed Limit

The maximum speed is 25 Km/h.

When the driver reaches the maximum speed, the e-scooter will keep the speed even if the driver accelerates.

Safety drive

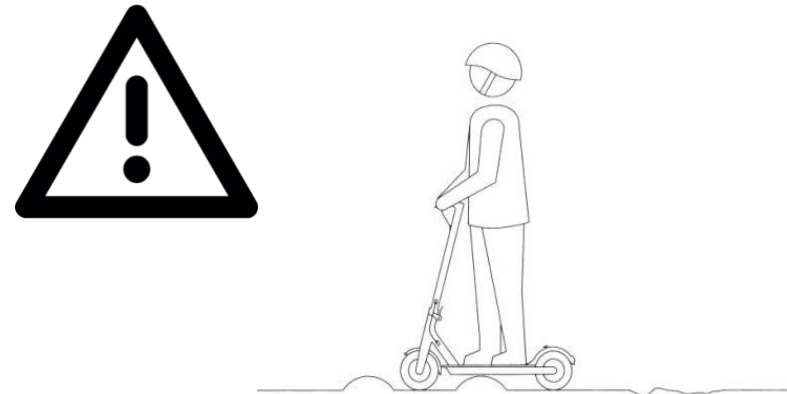
1. Please carefully read this user manual before first use.
2. Please always wear helmet, knee protections, elbow pads, when riding (check your local laws).
3. Wear comfortable flat shoes.
4. Please always verify that the use of the electric kick scooter is allowed (check your local laws).
5. Always check the level of the battery. If too low, the e-scooter might suddenly stop and cause the fall of the driver.

6. This product is not suitable for children under the age of 14 (check your local laws).
7. Adult supervision is required for minors of 18.
8. The e-scooter is for personal entertainment only. It is prohibited to use it as public transportation (check your local laws).
9. It is forbidden to use the e-scooter on vehicle roads (check your local laws).
10. It is forbidden to carry goods whilst driving the e-scooter.
11. Pay attention to objects and people around.
12. Do not start or stop driving suddenly. Sudden movements will make the e-scooter out of control.
13. Do not use it on streets, in traffic and by night (check your local laws).
14. Do not drive in dark places.
15. Pay attention to the ground. The kick scooter is made for smooth and flat grounds.
16. Ride at a controlled and slow speed while you ride through uneven surfaces. Slightly bend your knees to absorb the bumpy impacts.
17. Do not ride up or down from stairs or escalators.
18. Do not drive after drinking or taking drugs.
19. DO NOT press the accelerator when you are walking alongside the scooter.
20. The e-scooter can be used by one person at one time only, even if the maximum weight is not reached.
21. Overweight is prohibited. Functions of the kick scooter might be damaged.
22. Underweight is prohibited. The e-scooter might not be under control anymore.
23. The speed of the e-scooter is affected by the road type, the ambient temperature, the maintenance of the battery.
24. Always keep safety distance between you and other vehicles, people, obstacles, to avoid any collision.
25. Do not drive when raining. Avoid wet floors and puddles. Avoid puddles deeper than 2cm.
The control of the e-scooter will be reduced. The user might fall. The electrical system of the e-scooter might be damaged.
26. Avoid driving the e-scooter on grounds with snow or ice or mud. The e-scooter would not be under control.

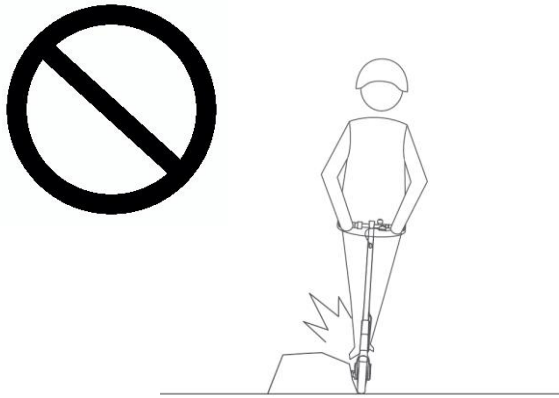
27. Do not use the electric kick scooter in unsafe circumstances or dangerous places.
28. Keep away from fire.
29. Do not touch the disc-brake: it might be hot.
30. Do not hang bags or other heavy accessories on the handlebar.
31. Do not try to ride up or down stairs, or jump over the obstacles.



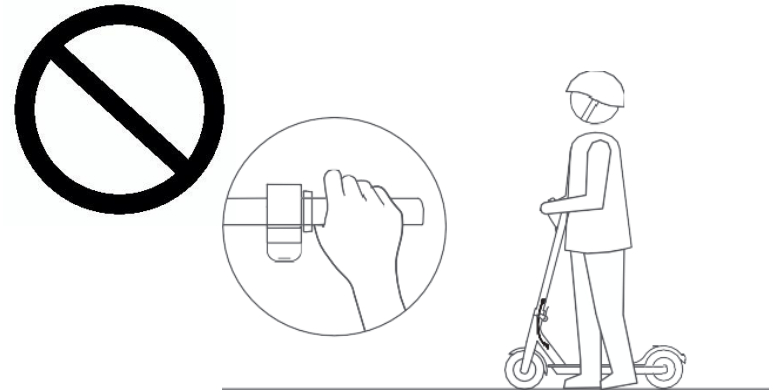
DO NOT ride during rainy / wet weather.



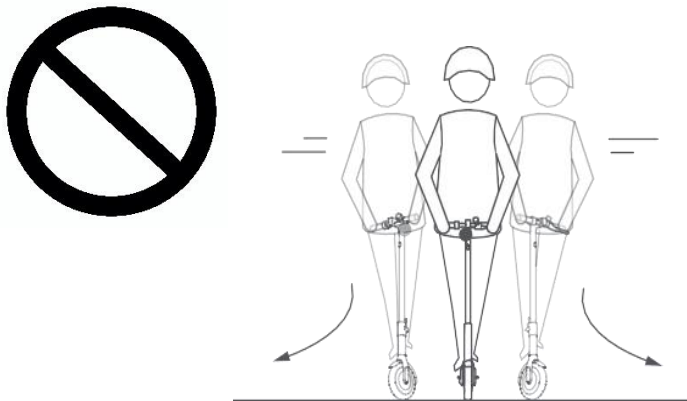
Ride at a controlled and slow speed while you ride through uneven surfaces. Slightly bend your knees to absorb the bumpy impacts.



Always steer clear of obstacles.



DO NOT press the accelerator when you are walking alongside the scooter.



DO NOT turn the handlebar violently during high-speed riding.

Maintenance of the electric kick scooter

The e-scooter requires routine cleaning and maintenance.

First, make sure the charging cable is not connected. Fasten the rubber cover of the charging port on the deck. Second, the e-scooter must be powered off. Now you can wipe the case of the e-scooter with a soft damp cloth.

Do not use alcohol, gasoline, kerosene or other corrosive, volatile chemical solvents for cleaning or the surface and the internal structure may be severely damaged.

Do not use a water canon to clean the e-scooter.

Avoid water or other liquids seep into the e-scooter. The internal electronics would be permanently damaged.

CAUTIONS

1. Please refer to your local retailer if you want to replace any component.
Replacement of any component should be done by the Retailer or by authorized after-sale offices.
2. A note specifying that the self-tightening nuts as well as the other self-tightening fastenings may lose their efficiency and that they may need to be retightened. Please periodically check that all screws are correctly tighten.

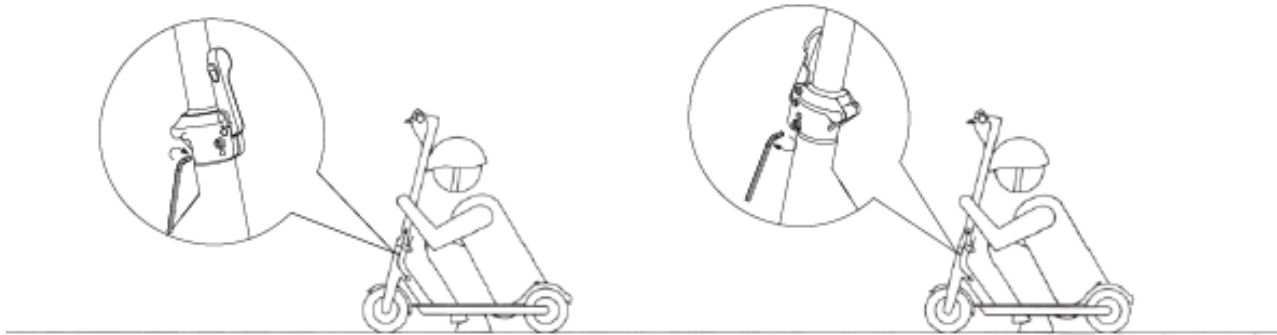
Adjust the brake disc

If a brake is very tight: use a hex wrench and scroll counterclockwise screws of brake disc tensioner pulley, slightly increase a length of a tail brake cable, then tighten a tensioner pulley. If you think that brake is too loose, loosen a tension pulley, pull a brake cable to slightly shorten a length of its tail. Tighten a tension pulley.



Adjust the handlebar

Staggering of steering rack: use a hex wrench, tighten two screws near the folding mechanism.



WARNING

As with any mechanical component, a PLEV is subject to high stresses and wear. The various materials and components may react differently to wear or fatigue. If the expected service life for a component has been exceeded, it may break suddenly, therefore risking causing injuries to the user. Cracks, scratches, and discoloration in the areas subject to high stresses indicate that the component has exceeded its service life and should be replaced.

WARNING

Recommendation to not make any modifications that are not noted in the manufacturer's instructions.

WARNING

Do not open the e-scooter for any reason. The user is responsible of any after-effect. Non-professionals shall not dismantle the battery pack without permission, or severe accidents may be caused due to electric shock or short circuit.

Storage of the electric kick scooter

Please make sure your e-scooter is fully charged before storing it.

If the e-scooter is stored for long time, ensure a full charge every 2 month for 6-8H.

The battery may be damaged due to over discharge if it is not recharged one time every 2 month. Such damage is irrecoverable. Battery damages due to over discharge will not be recharged anymore and shall not be covered by the warranty service. Do not store the e-scooter at less than 0°C. Store the e-scooter in a dry and cool indoor place when not in use. Keep the e-scooter inside its own packaging or cover it to prevent dust. Long-time sunlight exposure / over-heating / over- cooling outdoor environments will accelerate the aging of the product, the wheels, and the battery.

WARNING

Do not open the e-scooter for any reason. The user is responsible of any after-effect. Non-professionals shall not dismantle the battery pack without permission, or severe accidents may be caused due to electric shock or short circuit.

Parameters

Suitable age of the user	14 years old (<u>check with your local laws</u>)
Maximum loading	100 kg
Minimum loading	30 kg
Maximum speed	25 km/h
Motor power	350 W
Endurance mileage	up to 30 km
Climbing gradient	11 degree
Power supply for charger	AC 100-240V, 50/60Hz
Battery	10.000mAh Lithium rechargeable
Battery power	360 Wh
Battery voltage	36V d.c.
Charging temperature	0°C-40°C
Storage relative Humidity	5%-95%
Working temperature	0°C-40°C
Charging time	6-8 hours approx.
Body dimensions	105 x 43 x 114 cm approx.
Folded body dimensions	105 x 43 x 47 cm approx.
Net unit weight	14 kg approx.
Wheel diameter	8.5 inches

After-sale Service

Please contact your Retailer for any technical problem.

Warranty

Carefully read all instructions before using the electric kickscooter. Do not use the electric kickscooter if use is forbidden. Do not use the kickscooter if this might cause danger for the user and people/things around.

This product is warranted to be free from defects in materials, workmanship, and functionality (aesthetic parts are excluded) for a period of 2 years starting from the date of purchase in case of receipt, for a period of 1 year starting from the date of purchase in case of invoice. This warranty shall not apply to any products that have been subjected to misuse, negligence, accidental or abnormal conditions of operation, and does not cover the natural capacity fadeout. Please refer to qualified and authorized people for the repair of the electric kickscooter. A non-professional repair may cause malfunction and risks and void your warranty rights.

Warranty for the battery: 6 months.

Correct disposal of the battery



According to the European Directive 2006/66/CE This marking on battery indicates that the batteries in this product should not be disposed of with other household waste at the end of their working life. If batteries are not properly disposed of, these substances can cause harm to human health or the environment. To protect natural resources and to promote material reuse, please separate batteries from other types of waste and recycle them through your local, free battery return system. When needed, please ask your local free battery return system to remove the battery from the case.

Correct disposal of the product



According to the Directive 2012/19/UE This marking on the product, accessories or literature indicates that the product and its electronic accessories should not be disposed of with other household waste at the end of their working life. To prevent possible harm to the environment of human health from uncontrolled waste disposal, please separated these items from other types of waste and recycle them responsibly to promote the sustainable reuse of material resources. Household users should contact either the retailer where they purchased this product, or their local government office, for details of where and how they can take these items for environmentally safe recycling.

Images inside this user manual are for illustrative purposes only. Our Company is not responsible for improper use of the product. Our Company reserves the right to modify the product and the content of this manual without prior notice.

MADE IN CHINA  

MANUFACTURED BY
Asia Kingston (HK) Ltd.
26/F, 77 Connaught Road, Central,
Hong Kong

IMPORTED AND DISTRIBUTED BY
Tauer Group a.s.
Milady Horakove 357/4, 56802 Svitavy,
Czech Republic

tauer[®]
■group

CE Declaration of Conformity

Manufacturer:
Asia Kingston (HK) Limited
Address: 26/F., 77 Connaught Road Central, Hong Kong

Importer and authorized representative of the manufacturer:
Tauer Group a.s.
Address: Milady Horákové 357/4, 568 02 Svitavy, Česká republika

Product:
Description: electric kick scooter
Brand Name: ISA NASA
Model name: NASA-MERCURY85-10W
Production date: April 2023

We declare that the product mentioned above to which this declaration relates is in conformity with the relevant EU harmonized laws requirements:
Directive 2014/30/EU of the European Parliament and of the Council (EMC)

The following European harmonized standards are applied:

EN 17128:2020
EN 60335-1:2012
EN 55014

Place and address where this declaration and relative files are kept:
Tauer Group a.s., Milady Horákové 357/4, 568 02 Svitavy, Česká republika

Place of declaration: Svitavy, Czech Republic
Date: April 2023
Signed on behalf of Asia Kingston (HK) Limited and Tauer Group a.s.


Ivan Tauer
Member of the board
Tauer Group a.s.

tauer group
Tauer Group a.s.
Milady Horákové 357/4
568 02 Svitavy
DIČ: CZ25921100
tel.: +51 540 131

NOTE: This declaration of conformity applies only to electric scooters sold in countries that comply CE marking directive.

NASA-MERCURY85-10W

E-koloběžka

UPOZORNĚNÍ PRO ELEKTRICKOU KOLOBĚŽKU

Před použitím e-koloběžky si přečtěte a dodržujte všechny pokyny uvedené v návodu k použití.

Kolize, pády a ztráta kontroly mohou poškodit osoby a předměty ve vašem okolí.

Majitelé e-koloběžky musí zkontrolovat a dodržovat veškeré místní zákony platné pro užívání e-koloběžky týkající se používání přileb, rychlostních limitů a přístupných oblastí.

Tato e-koloběžka odpovídá vyhlášce o elektromobilitě.

Tato e-koloběžka není hračka a není vhodná pro děti mladší 14 let.

U jezdců mladších 18 let je nutný dohled dospělé osoby.

Tento výrobek nemůže přepravovat více než jednu osobu najednou.

Tento dopravní prostředek smí používat osoby bez patřičných zkušeností a osoby se sníženými fyzickými, smyslovými nebo duševními schopnostmi pouze tehdy, pokud tak činí pod dozorem nebo vedením, které zohledňují bezpečný provoz prostředku, a pokud rozumí rizikům spojeným s provozem dopravního prostředku.

Děti si s dopravním prostředkem nesmí hrát. Baterii uchovávejte mimo dosah malých dětí.

Čištění a uživatelská údržba nesmí být prováděny dětmi, pokud nejsou pod dozorem nebo vedením.

UPOZORNĚNÍ PRO NABÍJEČKU BATERÍ

Tato e-koloběžka není hračka.

Děti si s e-koloběžkou nesmí hrát.

U nezletilých osob je nutný dohled dospělé osoby.

Tento dopravní prostředek smí používat osoby bez patřičných zkušeností a osoby se sníženými fyzickými, smyslovými nebo duševními schopnostmi pouze tehdy, pokud tak činí pod dozorem nebo vedením, které zohledňuje bezpečný provoz prostředku, a pokud rozumí rizikům spojeným s provozem dopravního prostředku.

Čištění a užitelská údržba nesmí být prováděny dětmi, pokud nejsou pod dozorem nebo vedením.

Nenabíjejte nenabíjecí baterie.

Baterie musí být bezpečně zlikvidována.

Úvod

Pro lepší používání si prosím pečlivě přečtete tento návod k obsluze. Tento návod k použití si uschovejte pro budoucí použití.

Abyste předešli škodám, pečlivě si přečtete tento návod k použití a dodržujte jeho pokyny.

Uživatel je zodpovědný za všechny následky plynoucí z nesprávného používání e-koloběžky.

Prodejce ani distributor nenesou odpovědnost za škody na věcech a/nebo osobách způsobené nesprávným používáním zařízení.

Tuto e-koloběžku může v jednom okamžiku používat pouze jeden uživatel.

Výrobek používejte pouze v případě, že je v dobrém stavu. Zkontrolujte, zda nejsou poškozeny pneumatiky. Pokud je něco neobvyklého, zajistěte prosím údržbu.

Pokud během jízdy ztratíte kontrolu, můžete způsobit škodu sobě nebo jiným osobám.

Pouze pro soukromé použití. Je zakázáno používat e-koloběžku na silnicích pro vozidla.

Před jízdou na e-koloběžce musí být baterie plně nabita. Dodržujte pokyny uvedené v tomto návodu k použití, abyste se vyhnuli technickým problémům.

POZOR

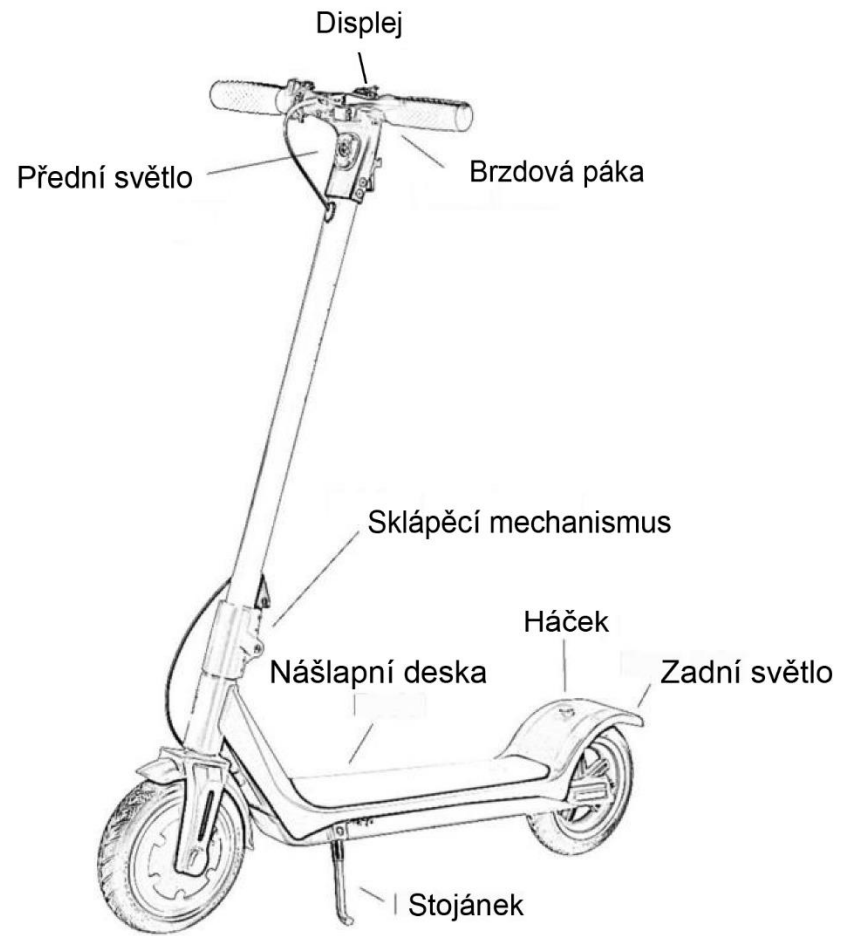
Baterie je srdcem hlavních energetických zdrojů zařízení, při používání baterie dbejte na její vlastnosti.

Baterie nemůže být vybita, před každým použitím by měla být plně nabita.

Vyhnete se hlubokému proudovému vybití, baterii dobíjejte včas, když je její úroveň velmi nízká.

Každé 2 měsíce (po dobu 6-8 hodin) baterii plně nabijte, a to i v případě, že e-koloběžku nepoužíváte.

Produkt



Montáž

Jak složit

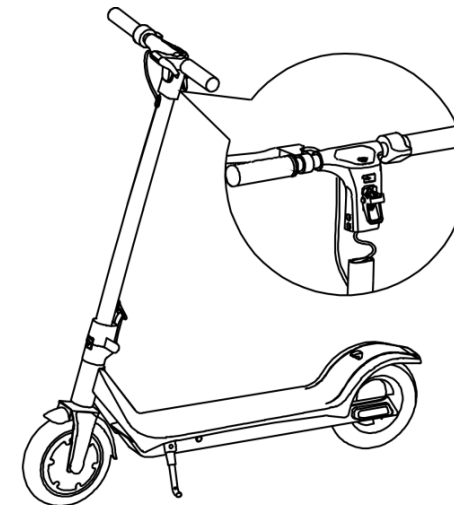
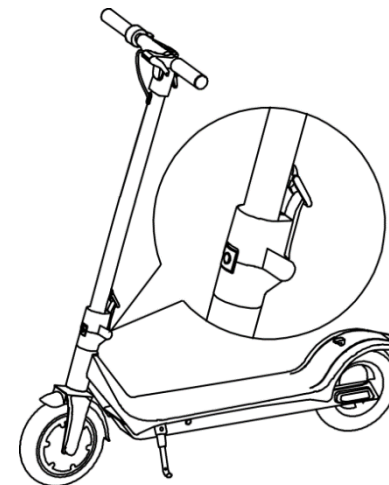
Koloběžka je složená uvnitř krabice.

Rukou vytáhněte řídítka ze zadního kola.

Nahoru za řídítka.

Zavřete páčku řídítek.

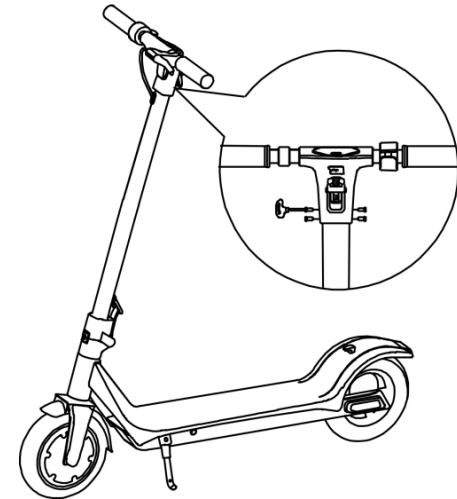
Poznámka: Po dokončení instalace se ujistěte, zda je jistící páčka zajištěna.



Při prvním použití namontujte vertikální řídítka.

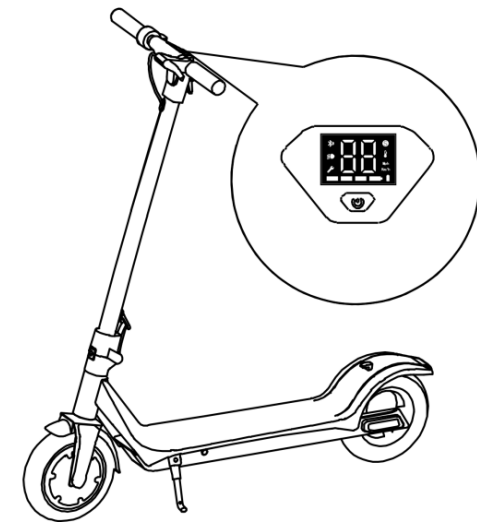
Další podrobnosti naleznete níže v části „Montáž řídítek“.

Pomocí šroubováku utáhněte 4 šrouby na řídítkách.



Po dokončení montáže vyzkoušejte vypínač displeje. Pokud se displej rozsvítí, je instalace dobře provedena.

Stojánek můžete použít k tomu, aby e-koloběžka stála samostatně.



Postup při skládání koloběžky

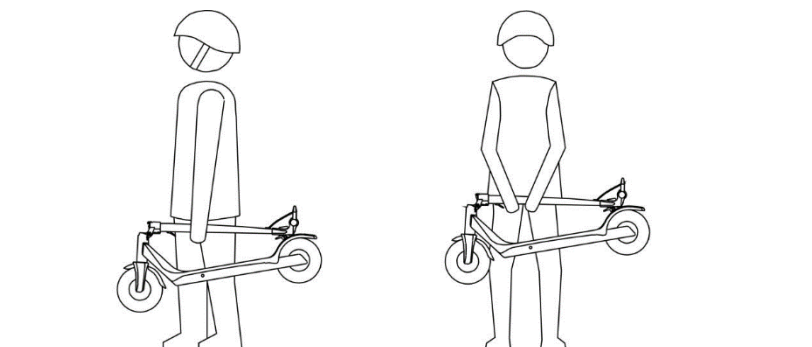
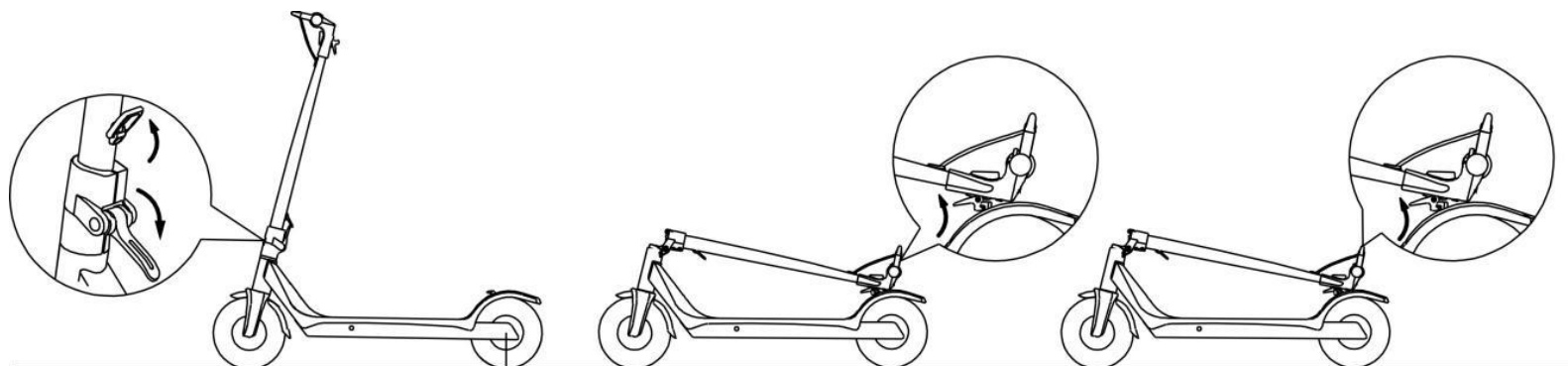
Zkontrolujte, zda je e-koloběžka vypnutá.

Přidržte řídicí tyč rukou, otevřete bezpečnostní pojistku a vytáhněte bezpečnostní svorku řídítěk.

Sklopte řídítka. Připevněte řídítka k zadnímu kolu.

Postup skládání je nyní dokončen.

Výrobek lze snadno přenášet.



Montáž řídicíků



1. Pro správné vložení řídicíků bez poškození kabelů uvnitř jemně zatáhněte za 3 kabely ve spodní části představce řídicíků.
2. Namontujte řídicíka k představci.
3. Po správném upevnění řídicíků pomocí šroubů zatlačte tři lanka směrem dovnitř hřídele řídicíků tak, aby při používání koloběžky nepřekážely.
4. Nakonec použijte dodanou pryžovou spirálu: obtočte ji kolem tří kabelů.

LED displej

Displej LED je umístěn na horní straně řídítek před uživatelem.

Dlouhým stisknutím tlačítka napájení zapnete/vypnete e-koloběžku.

Jedním krátkým stisknutím tlačítka napájení přepnete z režimu 1 na režimu 2. Dalším krátkým stisknutím přepnete z režimu 2 na režimu 3. Dvakrát rychle stiskněte tlačítka napájení pro zapnutí/vypnutí předního LED světla. Pro přepnutí z Km/h na MPH třikrát rychle stiskněte tlačítka napájení

Pokud se e-koloběžka nepoužívá po dobu 10 minut, automaticky se vypne.

Takto vypadá displej:

Aktuální rychlost

Rychlost se zobrazuje v Km/h. Mění se spolu s aktuální rychlostí.

Symbol Bluetooth

Funkce není pro tento produkt dostupná. Tento indikátor se nikdy nerozsvítí.

Ukazatel teploty

Funkce není pro tento produkt dostupná. Tento indikátor se nikdy nerozsvítí.

Světelný indikátor

Tento symbol se rozsvítí, když svítí přední světlo. Stiskněte dvakrát rychle tlačítka napájení pro zapnutí/vypnutí předního a zadního LED světla.

Kapacita baterie

Kapacita baterie e-koloběžky se zobrazuje pomocí sloupců od 100 % (plná baterie) do 0 % (prázdna baterie).

Pokud je baterie plná, svítí na displeji všechny proužky a při velmi nízkém stavu baterie pouze jeden proužek. Během používání se kapacita baterie postupně snižuje. Pokud je kapacita baterie velmi nízká (svítí pouze jeden proužek), přestaňte v zájmu své bezpečnosti jezdit a nabijte baterii pro další použití.



Režimy

Rychlostní stupeň 1 je určen pro nízkou rychlost (**max. 6 km/h**); rychlostní stupeň 2 je určen pro střední rychlost (**max. 15 km/h**); rychlostní stupeň 3, je určen pro vysokou rychlost (**max. 25 km/h**). Jedním krátkým stisknutím tlačítka napájení přepnete z rychlostního stupně 1 na rychlost 2. Opětovným krátkým stisknutím přepnete z rychlostního stupně 2 na rychlost 3. Z bezpečnostních důvodů se doporučuje změnit rychlostní stupeň, pouze pokud je koloběžka zastavena. Paměťová funkce při vypnutí: rychlost bude ta, která byla použita při posledním použití.

Indikátor tempomatu

Funkce není pro tento produkt dostupná. Tento symbol se nikdy nerozsvítí.

Návod k obsluze

Před první jízdou na e-koloběžce musí být baterie plně nabita.

Dodržujte pokyny uvedené v tomto návodu k použití, abyste se vyhnuli technickým problémům.

Po každé jízdě se snažte baterii dobít, což může výrazně prodloužit její životnost.

Nejprve položte e-koloběžku na rovný povrch.

E-koloběžka je vyvinuta pro jízdu na rovném povrchu. Buďte opatrný při jízdě na nerovném a hrbolatém podkladu.

Stiskněte tlačítko napájení na displeji, abyste zapnuli displej a koloběžku.

Zkontrolujte úroveň nabití baterie na displeji.

Zvolte požadovaný rychlostní stupeň.

Položte jednu nohu na nášlapní desku. Stoupněte si na nášlapní desku pouze jednou nohou. Obě ruce držte na řídítkách.

Tato e-koloběžka má pro vaši bezpečnost funkci "kick-and-go".

Stačí nohou tlačít e-koloběžku dopředu a motor se aktivuje, jakmile dosáhnete rychlosti 3 km/h.

Jemně stiskněte páčku na pravé rukojeti: e-koloběžka zrychlí.

Šlápněte druhou nohou na nášlapní desku, zatímco se e-koloběžka pohybuje.

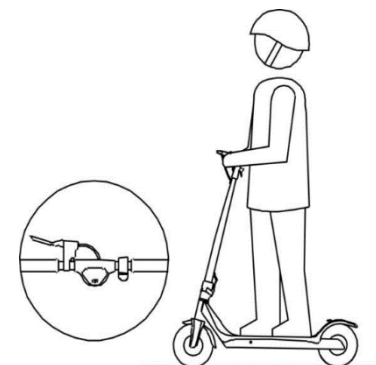
Uvolněte páčku zrychlení, abyste zpomalili.

Zatáhněte za brzdovou páku na levé rukojeti: e-koloběžka zabrzdí.

Zastavte e-koloběžku a vystupte.

Vypněte displej.

Když e-koloběžku nepoužíváte, můžete ji odstavit pomocí stojanu.



Vzdálenost

Maximální dojezd je přibližně 25-30 km.

Tento maximální dojezd je ovlivněn typem silnice (rovný a hladký povrch dojezdovou vzdálenost zvýší, v opačném případě se vzdálenost sníží), okolní teplotou, údržbou (pneumatiky, stav baterie).

Zatížení

Maximální hmotnost řidiče by měla být 100 kg, minimální hmotnost 30 kg.

Tyto limity zajišťují bezpečnost řidiče a snižují poškození e-koloběžky.

Baterie

Nabití baterie (a tedy i maximální dojezd) ovlivňují některé faktory, jako např.:

1. Povrch (pokud povrch není rovný, rychlost vybití se zvyšuje).
2. Hmotnost uživatele.
3. Okolní teplota.
4. Styl jízdy a rychlost ovlivňují životnost nabité baterie: konstantní a mírná rychlost pozitivně ovlivňuje nabitou baterii; vysoká a nestálá rychlost snižuje životnost nabité baterie.
5. Údržba (uživatel musí udržovat baterii v dobrém stavu a musí ji správně nabíjet).

VAROVÁNÍ

Před první jízdou nabijte baterii. Každé 2 měsíce (po dobu 6-8 hodin) baterii plně nabijte, a to i v případě, že e-koloběžku nepoužíváte.

Nabíjení baterie

Před prvním rozložením elektrické koloběžky si přečtěte návod k použití.

Pokud zjistíte, že indikátor napájení ukazuje velmi nízkou energii, přestaňte v zájmu své bezpečnosti jezdit.

Po každé jízdě se snažte baterii dobít, což může výrazně prodloužit její životnost.

Nabíjení by mělo probíhat v bezpečném, suchém a čistém prostředí.

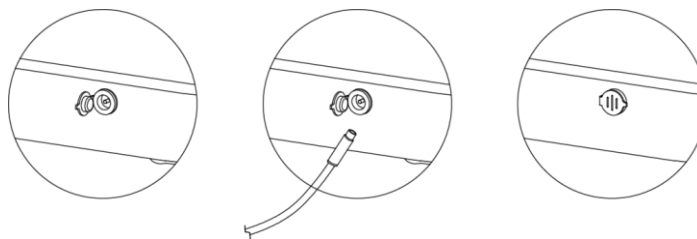
Před zahájením nabíjení musí být koloběžka vypnutá.

Při nabíjení baterie nepoužívejte e-koloběžku

POKYNY PRO NABÍJENÍ

1. Ujistěte se, že je nabíjecí port suchý. Otevřete ochranný kryt a vložte nabíječku do nabíjecího portu e-koloběžky. Druhý konec nabíječky musí být připojen k elektrické síti, aby se nabíječka aktivovala.
2. Nejprve připojte kabel nabíječky k e-koloběžce. Poté připojte kabel nabíječky akumulátorů k elektrické síti.

3. Kontrolka na nabíječce bude svítit červeně: to znamená, že nabíjení probíhá. Nabíjení by mělo probíhat v bezpečném, suchém a čistém prostředí.
4. Když se kontrolka rozsvítí zeleně, je baterie plně nabitá. Přestaňte nabíjet, jinak se zkrátí životnost baterie. Doba nabíjení je přibližně 6-8 hodin. Příliš dlouhá doba nabíjení ovlivní životnost baterie.
5. Odpojte kabel nabíječky baterie. Vraťte kryt zpět do požadované polohy.



Udržujte výrobek a baterii při doporučené teplotě, aby byla zachována co nejvyšší účinnost e-koloběžky a baterie. Pokud se používá v extrémně chladném nebo horkém prostředí, prodlouží se i doba nabíjení. Provozní teplota: 0°C - 40°C. Během nabíjení kontrolujte teplotu baterie. Teplota při nabíjení musí být: 0°C - 40 °C. Úroveň vlhkosti během nabíjení musí být: 5% - 95%. Pokud je teplota vyšší než 40°C, může dojít k poškození funkčnosti koloběžky a ke zkrácení životnosti baterie.

VAROVÁNÍ / UPOZORNĚNÍ

Baterie obsahuje nebezpečné látky.

Nenabíjejte baterii, pokud je teplota nižší než 0°C.

Nepokoušejte se baterii otevřít a nekládejte do ní žádné předměty.

Nenabíjejte baterii přes noc nebo v době, kdy nemáte možnost e-koloběžku pozorovat.

Nabíjejte a skladujte e-koloběžku na otevřeném suchém místě, mimo dosah hořlavin (tj. předmětů, které se mohou vznítit).

Nenabíjejte e-koloběžku bezprostředně po jízdě. Před nabíjením nechte koloběžku hodinu vychladnout.

Pokud ji někomu půjčujete, nechte ji v částečně nabitém stavu. Nevyjímejte ji z obalu, abyste ji uvedli do plného stavu nabití, a poté ji opět zabalili.

E-koloběžka se často dodává částečně nabitá. Ponechte ji v tomto stavu, dokud nebude připravena k použití.
Baterii správně zlikvidujte a recyklujte v souladu s místními předpisy o recyklaci a ochraně životního prostředí.
Nikdy s baterií nezacházejte jako s běžným domácím odpadem, aby nedošlo k výbuchu a znečištění.
Baterii nikdy nevhazujte do ohně.
Před likvidací musí být baterie z koloběžky vyjmuta.
Musí se používat pouze originální nabíječka. V případě potřeby výměny se obraťte na svého prodejce.

UPOZORNĚNÍ

Nepoužívejte e-koloběžku, pokud je baterie vybitá.
Nepoužívejte e-koloběžku v případě zápachu spáleniny.
Nepoužívejte e-koloběžku, pokud z baterie něco vytéká.
Nedotýkejte se ničeho, co vytéká z baterie.
Nedovoďte, aby se baterie dotýkaly děti nebo zvířata.
Před jízdou na e-koloběžce odpojte nabíječku od sítě.
Používejte pouze dodanou baterii a dodanou nabíječku.
Demontáž a údržbu baterie smí provádět pouze odborníci. Obratťte se na svého prodejce.

Přeprava baterie

Lithiové baterie jsou považovány za nebezpečné zboží.
Ověřte si místní zákony týkající se přepravy.

Rychlostní omezení

Maximální rychlost je 25 km/h.
Když řidič dosáhne maximální rychlosti, e-koloběžka si ji udrží, i když řidič bude chtít zrychlit.

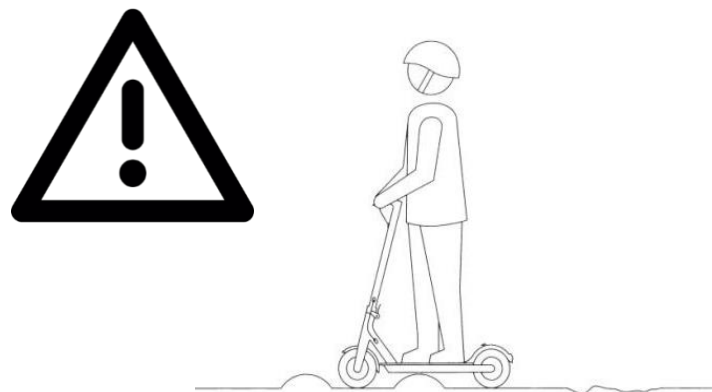
Bezpečná jízda

1. Před prvním použitím si pečlivě přečtěte tento návod k použití.
2. Při jízdě vždy používejte helmu, chrániče kolen a loktů.
3. Noste pohodlnou plochou obuv.
4. Vždy si prosím ověřte, zda je používání e-koloběžky povoleno (místní zákony).
5. Vždy zkontrolujte stav nabití baterie. Pokud je kapacita baterie příliš nízká, může se e-koloběžka náhle zastavit a způsobit pád řidiče.
6. Tento výrobek není vhodný pro děti mladší 14 let.
7. U jezdců mladších 18 let je nutný dohled dospělé osoby.
8. E-koloběžka je určena pouze pro osobní zábavu. Je zakázáno ji používat jako veřejný dopravní prostředek.
9. Je zakázáno používat e-koloběžku na silnicích pro vozidla.
10. Je zakázáno přepravovat zboží během jízdy na e-koloběžce.
11. Dávejte pozor na předměty a osoby v okolí.
12. Nerozjíždějte se a nezastavujte náhle. Náhlé pohyby způsobí neovladatelnost e-koloběžky.
13. Nepoužívejte ji na ulicích, v silniční dopravě a v noci.
14. Nejezděte na tmavých místech.
15. Dávejte pozor na vozovku. E-koloběžka je vyrobena pro hladké a rovné povrchy.
16. Při jízdě po nerovném povrchu jezděte kontrolovanou a pomalou rychlostí. Mírně pokrčte kolena, abyste tlumili nerovnosti.
17. Nejezděte nahoru ani dolů ze schodů nebo eskalátorů.
18. Nejezděte po požití alkoholu nebo drog.
19. NETLAČTE na plynovou páčku, když jdete vedle e-koloběžky.
20. E-koloběžku může používat pouze jedna osoba najednou, a to i v případě, že tato osoba nedosahuje maximální hmotnosti.
21. Nadměrná hmotnost je zakázána. Překračováním nosnosti by mohlo dojít k poškození funkcí koloběžky.
22. Podváha je zakázána. E-koloběžka již nemusí být pod kontrolou.

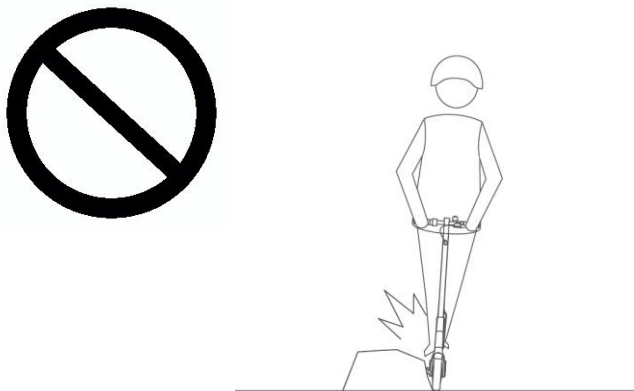
23. Rychlost e-koloběžky je ovlivněna typem silnice, okolní teplotou a údržbou baterie.
24. Vždy dodržujte bezpečnou vzdálenost mezi vámi a ostatními vozidly, lidmi, překážkami, aby nedošlo ke kolizi.
25. Nejezděte za deště. Vyhýbejte se mokrým podlahám a kalužím. Vyhýbejte se kalužím hlubším než 2 cm.
Ovládání e-koloběžky bude sníženo. Uživatel by mohl spadnout. Mohlo by dojít k poškození elektrického systému e-koloběžky.
26. Vyhněte se jízdě na e-koloběžce po povrchu pokrytém sněhem, ledem či blátem. E-koloběžka by nebyla pod kontrolou.
27. Nepoužívejte e-koloběžku v nebezpečných podmínkách nebo na nebezpečných místech.
28. Chraňte e-koloběžku před ohněm.
29. Nedotýkejte se kotoučové brzdy: může být horká.
30. Nezavěšujte na řídítka tašky nebo jiné těžké příslušenství.
31. Nepokoušejte se jezdit po schodech nahoru nebo dolů nebo skákat přes překážky.



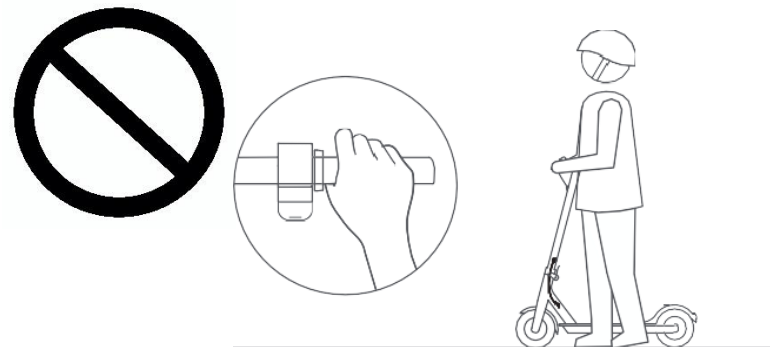
NEJEZDĚTE za deštivého / vlhkého počasí.



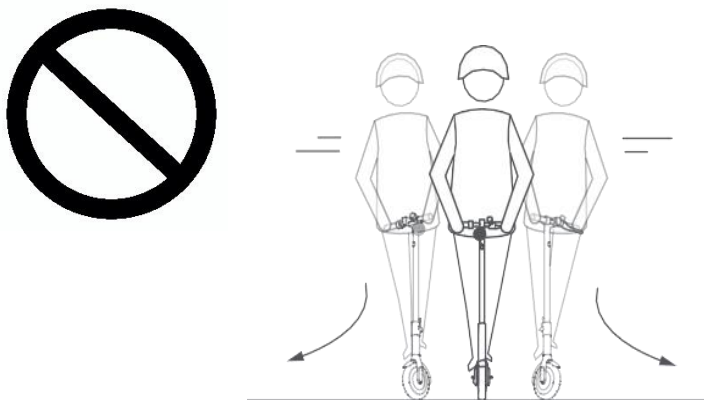
Jezděte kontrolovanou a pomalou rychlostí při jízdě po nerovném povrchu. Mírně pokrčte kolena, abyste absorbovali hrbolaté nárazy.



Vždy se vyhněte překážkám.



NEMAČKAJTE plynovou páčku, když jdete vedle skútru.



NEOTÁČEJTE prudce řídítky při jízdě vysokou rychlostí.

Údržba elektrické koloběžky

E-koloběžka vyžaduje běžné čištění a údržbu.

Nejprve se ujistěte, že není připojen nabíjecí kabel. Upevněte gumový kryt nabíjecího portu na nášlapní desce. Za druhé, e-koloběžka musí být vypnutá. Nyní můžete e-koloběžku otřít měkkým vlhkým hadříkem.

K čištění nepoužívejte alkohol, benzín, petrolej ani jiná korozivní, těkavá chemická rozpouštědla, jinak může dojít k vážnému poškození povrchu a vnitřní struktury. K čištění e-koloběžky nepoužívejte vodní trysku.

Zabraňte vniknutí vody nebo jiných kapalin do e-koloběžky. Došlo by k trvalému poškození vnitřní elektroniky.

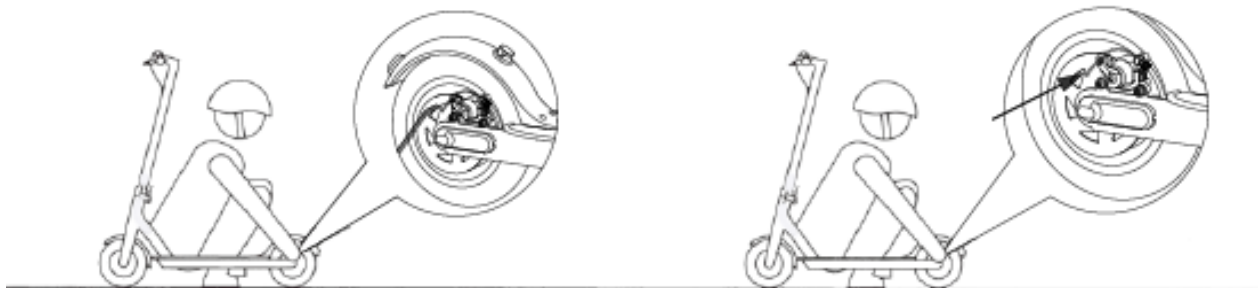
UPOZORNĚNÍ

1. Pokud chcete vyměnit některou součást, obraťte se na místního prodejce. Výměnu jakékoli součásti by měl provést prodejce nebo autorizované servisní středisko.
2. Upřesňující upozornění: samojistné matice i ostatní samojistné upevňovací prvky mohou ztratit svou účinnost a může být nutné je po čase znovu utáhnout. Pravidelně kontrolujte, zda jsou všechny šrouby správně dotaženy.

Seřídte brzdu

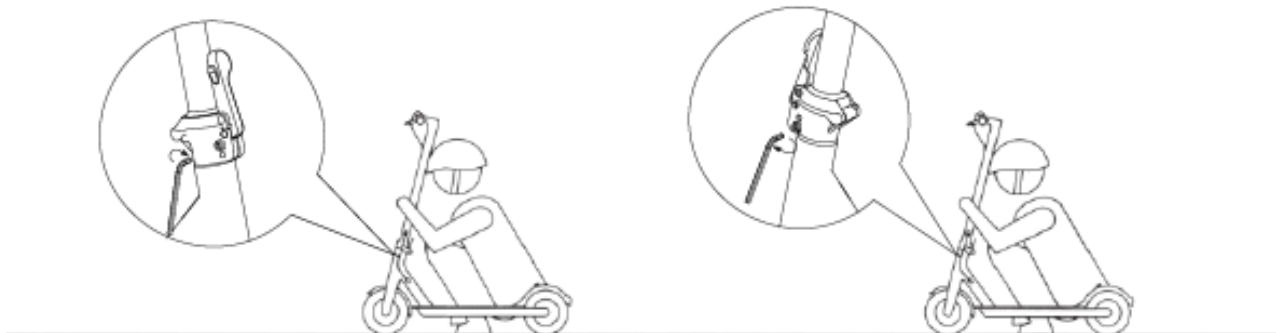
Pokud je brzda velmi utažená: použijte šestihranný klíč a uvolněte šrouby napínací kladky brzdového kotouče proti směru hodinových ručiček, mírně zvětšete délku lanka zadní brzdy, a poté napněte napínací kladku.

Pokud se vám zdá, že je brzda příliš volná, povolte napínací kladku, zatáhněte za brzdové lanko a mírně zkratíte délku jeho koncovky. Utáhněte napínací kladku.



Nastavte řídítka

Rozložení hřebenu řízení: použijte šestihranný klíč a utáhněte dva šrouby poblíž skládacího mechanismu.



VAROVÁNÍ

Stejně jako každá mechanická součást je i PLEV vystaven vysokému namáhání a opotřebení. Různé materiály a součásti mohou na opotřebení nebo únavu reagovat různě. Pokud je očekávaná životnost součásti překročena, může dojít k jejímu náhlému zlomení, a tím i k riziku zranění uživatele. Praskliny, škrábance a změna barvy v oblastech vystavených vysokému namáhání naznačují, že součást překročila svou životnost a měla by být vyměněna.

VAROVÁNÍ

Doporučujeme neprovádět žádné úpravy, které nejsou uvedeny v návodu výrobce.

VAROVÁNÍ

E-koloběžku ze žádného důvodu neotevírejte. Za případné následky je zodpovědný uživatel. Neodborníci nesmí bez povolení rozebírat akumulátor, jinak může dojít k vážným nehodám v důsledku úrazu elektrickým proudem nebo zkratu.

Uskladnění elektrické koloběžky

Před uskladněním e-koloběžky se ujistěte, že je plně nabitá.

Pokud je e-koloběžka dlouhodobě skladována, zajistěte každé 2 měsíce její plné nabití po dobu 6-8 hodin.

je nenapravitelné. Poškozená baterie v důsledku nadměrného vybití již nemůže být dobíjena a nevztahují se na ni záruční

podmínky.

E-koloběžku neskladujte při teplotě nižší než 0°C. Pokud e-koloběžku nepoužíváte, skladujte ji na suchém a chladném místě.

E-koloběžku uchovávejte ve vlastním obalu nebo ji zakryjte, aby se na ni neprášilo.

Dlouhodobé vystavení slunečnímu záření / přehřátí / přechlazení ve venkovním prostředí urychlí stárnutí výrobku, kol a baterie.

VAROVÁNÍ

E-koloběžku ze žádného důvodu neotevírejte. Za případné následky je zodpovědný uživatel. Neodborníci nesmí bez povolení rozebírat akumulátor, jinak může dojít k vážným nehodám v důsledku úrazu elektrickým proudem nebo zkratu.

Parametry

Vhodný věk uživatele	od 14 let
Maximální zatížení	100 kg
Minimální zatížení	30 kg
Maximální rychlost	25 km/h
Výkon motoru	350 W
Výdrž	až 30 km (v závislosti na terénu, sklonu, rychlosti, stylu jízdy)
Napájení nabíječky	AC 100-240 V, 50/60 Hz
Baterie	10000mAh Lithiová dobíjecí baterie
Výkon baterie	360 Wh
Napětí baterie	36 V stejnosměrný proud
Relativní vlhkost při skladování	5% - 95%
Pracovní teplota	0°C - 40°C
Doba nabíjení	cca 6-8 hodin
Rozměry v rozloženém stavu	105 x 43 x 114 cm
Rozměry ve složeném stavu	105 x 43 x 47 cm
Čistá hmotnost jednotky	přibližně 14 kg
Průměr kol	8,5 palců

Pozáruční servis

V případě technických problémů se obraťte na svého prodejce.

Záruka

Před použitím e-koloběžky si pečlivě přečtěte všechny pokyny. Nepoužívejte e-koloběžku, pokud je její používání zakázáno. Nepoužívejte e-koloběžku, pokud by to mohlo způsobit nebezpečí pro uživatele a osoby / věci v okolí.

Na tento výrobek se vztahuje záruka na bezvadnost materiálu, zpracování a funkčnost (estetické díly jsou vyloučeny) po dobu 2 let od data nákupu. Tato záruka se nevztahuje na výrobky, které byly vystaveny nesprávnému použití, nedbalosti, náhodným nebo nestandardním provozním podmínkám, a nevztahuje se na přirozené slábnutí materiálů. Opravy e-koloběžky svěřte kvalifikovaným a autorizovaným osobám. Neodborná oprava může způsobit poruchy a rizika a zrušit vaše záruční práva.

Záruka na baterii: 6 měsíců.

Správná likvidace baterie



Podle evropské směrnice 2006/66/ES Toto označení na baterii znamená, že baterie v tomto výrobku by se po skončení životnosti neměly likvidovat společně s ostatním domovním odpadem. Pokud nejsou baterie správně zlikvidovány, mohou tyto látky poškodit lidské zdraví nebo životní prostředí. V zájmu ochrany přírodních zdrojů a podpory opětovného použití materiálů oddělujte baterie od ostatních druhů odpadu a recyklujte je prostřednictvím místního bezplatného systému zpětného odběru baterií. V případě potřeby požádejte místní bezplatný systém zpětného odběru baterií o vyjmutí baterie z obalu.

Správná likvidace produktu



Podle směrnice 2012/19/ES Toto označení na produktu, příslušenství nebo v literatuře uvádí, že výrobek a jeho elektronické příslušenství by se po skončení životnosti neměly likvidovat společně s ostatním domovním odpadem. ■ Abyste předešli možnému poškození životního prostředí a lidského zdraví v důsledku nekontrolované likvidace odpadu, oddělte tyto předměty od ostatních druhů odpadu a zodpovědně je recyklujte, abyste podpořili udržitelné opětovné využívání materiálových zdrojů. Uživatelé v domácnostech by se měli obrátit buď na prodejce, u kterého tento výrobek zakoupili, nebo na místní úřad, kde získají podrobnosti o tom, kam a jak mohou tyto předměty odnést k ekologicky bezpečné recyklaci.

MADE IN CHINA



Obrázky uvnitř tohoto návodu k použití jsou pouze ilustrativní. Naše společnost nenese odpovědnost za nesprávné použití výrobku. Naše společnost si vyhrazuje právo na změnu výrobku a obsahu této příručky bez předchozího upozornění.

VYROBENO SPOLEČNOSTÍ
Asia Kingston (HK) Ltd.
26/F, 77 Connaught Road, Central,
Hong Kong

DOVÁŽENÉ A DISTRIBUOVANÉ SPOLEČNOSTÍ
Tauer Group a.s.
Milady Horakove 357/4, 56802 Svitavy,
Česká republika

tauer[®]
■group

CE Prohlášení o shodě

Výrobce:
Asia Kingston (HK) Limited
Adresa: 26/F., 77 Connaught Road Central, Hong Kong

Dovozce a autorizovaný zástupce výrobce:
Tauer Group a.s.
Adresa: Milady Horákové 357/4, 568 02 Svitavy, Česká republika

Výrobek:
Popis: elektrická koloběžka
Značka výrobku: ISA NASA
Modelové označení: NASA-MERCURY85-10W
Datum výroby: Duben 2023

Prohlašujeme, že výše uvedený výrobek, kterého se toto prohlášení týká, je v souladu s příslušnými požadavky harmonizovaných zákonů EU:

Směrnice 2014/30/EU Rady Evropského parlamentu (EMC)

Uplatněny jsou následující evropské harmonizované normy:

EN 17128:2020
EN 60335-1:2012
EN 55014

Místo a adresa, kde se prohlášení a související soubory uchovávají:
Tauer Group a.s., Milady Horákové 357/4, 568 02 Svitavy, Česká republika

Místo prohlášení: Svitavy, Česká republika
Datum: Duben 2023

Podepsán jménem Asia Kingston (HK) Limited a Tauer Group a.s.

Ivan Tauer
Člen představenstva
Tauer Group a.s.



Tauer Group a.s.
Milady Horákové 357/4
568 02 Svitavy
DIČ: CZ25921100
tel.: +420 540 131

POZNÁMKA: Toto prohlášení o shodě se vztahuje jen na elektrické koloběžky prodávané v zemích, které dodržují směrnice označování CE.

NASA-MERCURY85-10W

E-kolobežka

UPOZORNENIE PRE ELEKTRICKÚ KOLOBEŽKU

Pred použitím e-kolobežky si prečítajte a dodržiavajte všetky pokyny uvedené v používateľskej príručke.

Kolízie, pády a strata kontroly môžu poškodiť osoby a predmety vo vašom okolí.

Majitelia e-kolobežiek musia skontrolovať a dodržiavať všetky miestne zákony platné pre používanie e-kolobežiek týkajúce sa používania prilby, rýchlostných obmedzení a prístupných oblastí.

Táto e-kolobežka zodpovedá vyhláske o elektromobilite.

Táto e-kolobežka nie je hračka a nie je vhodná pre deti mladšie ako 14 rokov.

V prípade jazdcov mladších ako 18 rokov je potrebný dozor dospeléj osoby.

Tento výrobok nemôže prepravovať viac ako jednu osobu naraz.

Tento dopravný prostriedok môžu používať osoby bez patričných skúseností, osoby so zníženými fyzickými, zmyslovými alebo duševnými schopnosťami len vtedy, ak tak robia pod dozorom alebo vedením, ktoré zohľadňuje bezpečnú prevádzku prostriedku, a ak rozumejú rizikám spojeným s prevádzkou prostriedku.

Deti sa nesmú hrať s e-kolobežkou. Batériu uchovávajte mimo dosahu malých detí.

Čistenie a používateľská údržba nesmie byť vykonávaná deťmi, pokiaľ nie sú pod dozorom alebo vedením.

UPOZORNENIE PRE NABÍJAČKU BATÉRIÍ

Táto e-kolobežka nie je hračka.

Deti sa nesmú hrať s e-kolobežkou.

U nepľnoletých osôb je nutný dohľad dospeléj osoby.

Tento dopravný prostriedok môžu používať osoby bez patričných skúseností, osoby so zníženými fyzickými,

zmyslovými alebo duševnými schopnosťami len vtedy, ak tak robia pod dozorom alebo vedením, ktoré zohľadňuje bezpečnú prevádzku prostriedku, a ak rozumejú rizikám spojeným s prevádzkou prostriedku.

Čistenie a používateľská údržba nesmie byť vykonávaná deťmi, pokiaľ nie sú pod dozorom alebo vedením.

Nenabíjajte nedobíjacie batérie.

Batéria musí byť bezpečne zlikvidovaná.

Úvod

Pre lepšie používanie si pozorne prečítajte túto príručku. Uchovajte si túto príručku pre budúce použitie.

Aby ste predišli poškodeniu, pozorne si prečítajte túto príručku a dodržiavajte jej pokyny.

Používateľ je zodpovedný za všetky dôsledky vyplývajúce z nesprávneho používania e-kolobežky.

Predajca ani distribútor nenesú zodpovednosť za škody na majetku a/alebo osobách spôsobené nesprávnym používaním zariadenia.

Túto e-kolobežku môže naraz používať len jeden používateľ.

Výrobok používajte len vtedy, ak je v dobrom stave. Skontrolujte, či nie sú poškodené pneumatiky. Ak je na nich niečo neobvyklé, zabezpečte prosím údržbu.

Ak počas jazdy stratíte kontrolu, môžete spôsobiť škodu sebe alebo iným osobám.

Len na súkromné použitie. Používanie e-kolobežky na cestách pre vozidlá je zakázané.

Pred jazdou na e-kolobežke musí byť batéria úplne nabitá. Dodržiavajte pokyny uvedené v tomto návode, aby ste sa vyhli technickým problémom.

POZOR

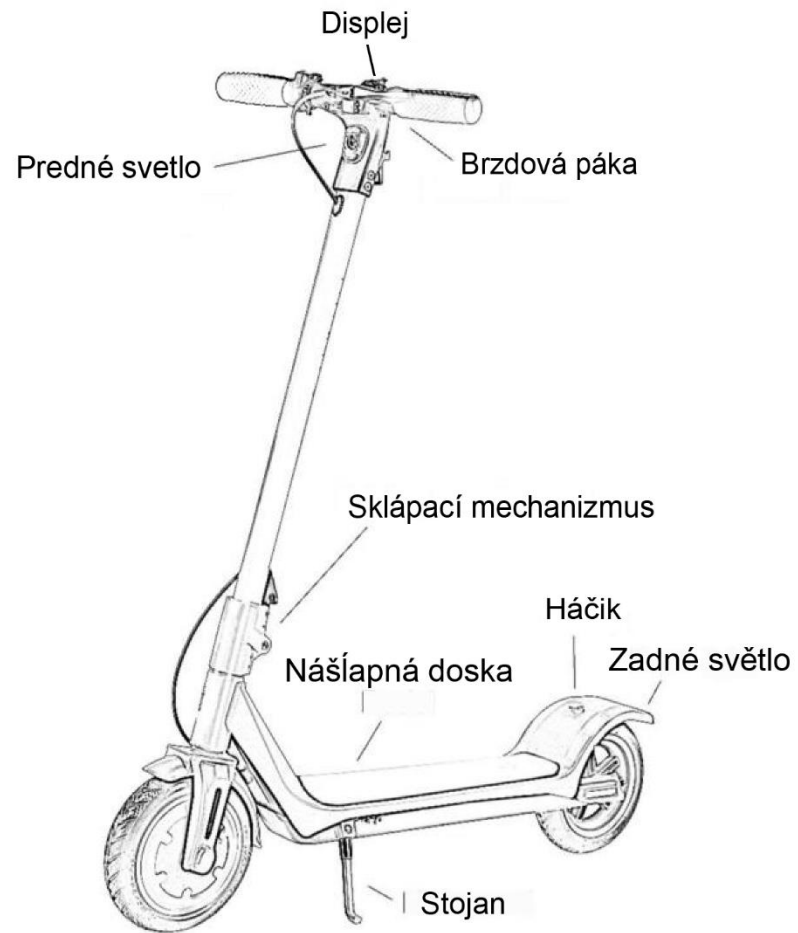
Batéria je srdcom hlavného zdroja energie zariadenia, preto pri jej používaní dbajte na jej vlastnosti.

Batéria nemôže byť vybitá, pred každým použitím by sa mala úplne nabiť.

Vyhňte sa hlbokému prúdovému vybitiu, batériu dobíjajte včas, keď je úroveň jej nabitia veľmi nízka.

Batériu plne nabite každé 2 mesiace (počas 6-8 hodín), aj keď e-kolobežku nepoužívate.

Produkt



Montáž

Ako zložiť

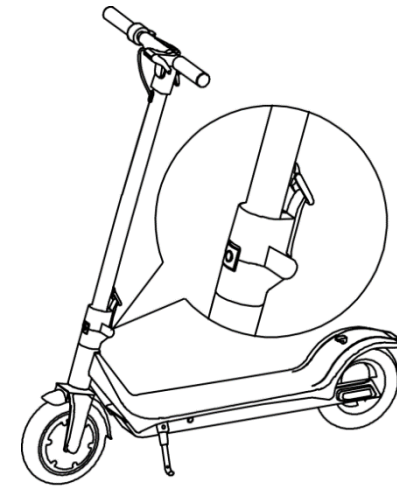
E-kolobežka je zložená v krabici.

Rukou potiahnite riadidlá zo zadného kolesa.

Smerom hore.

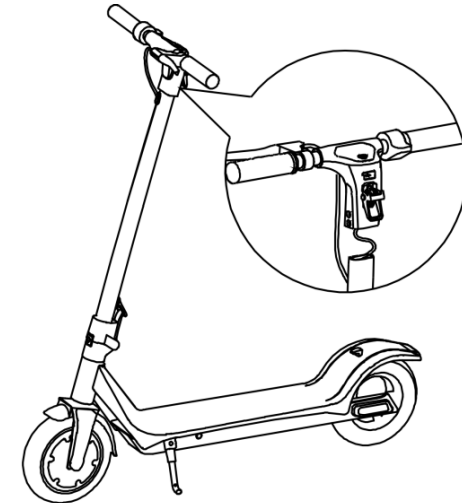
Zatvorte sklopnú páčku na riadidlách.

Poznámka: Po dokončení inštalácie sa uistite, či je istiaci páčka zaistená.

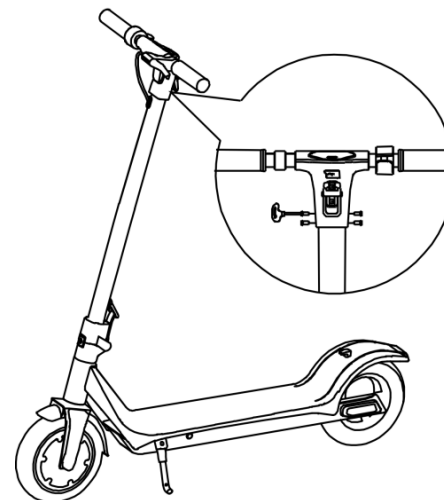


Pri prvom použití namontujte zvislé riadidlá.

Ďalšie podrobnosti nájdete nižšie v časti „Zostavenie riadidiel“.

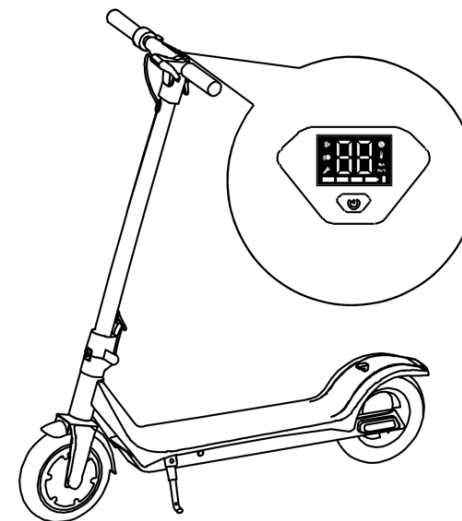


Pomocou skrutkovača utiahnite 4 skrutky na riadidlách.



Po dokončení montáže otestujte spínač displeja. Ak sa displej rozsvieti, montáž je dobre vykonaná.

Môžete použiť stojan, aby e-kolobežka mohla stáť samostatne.



Postup pri skladaní kolobežky

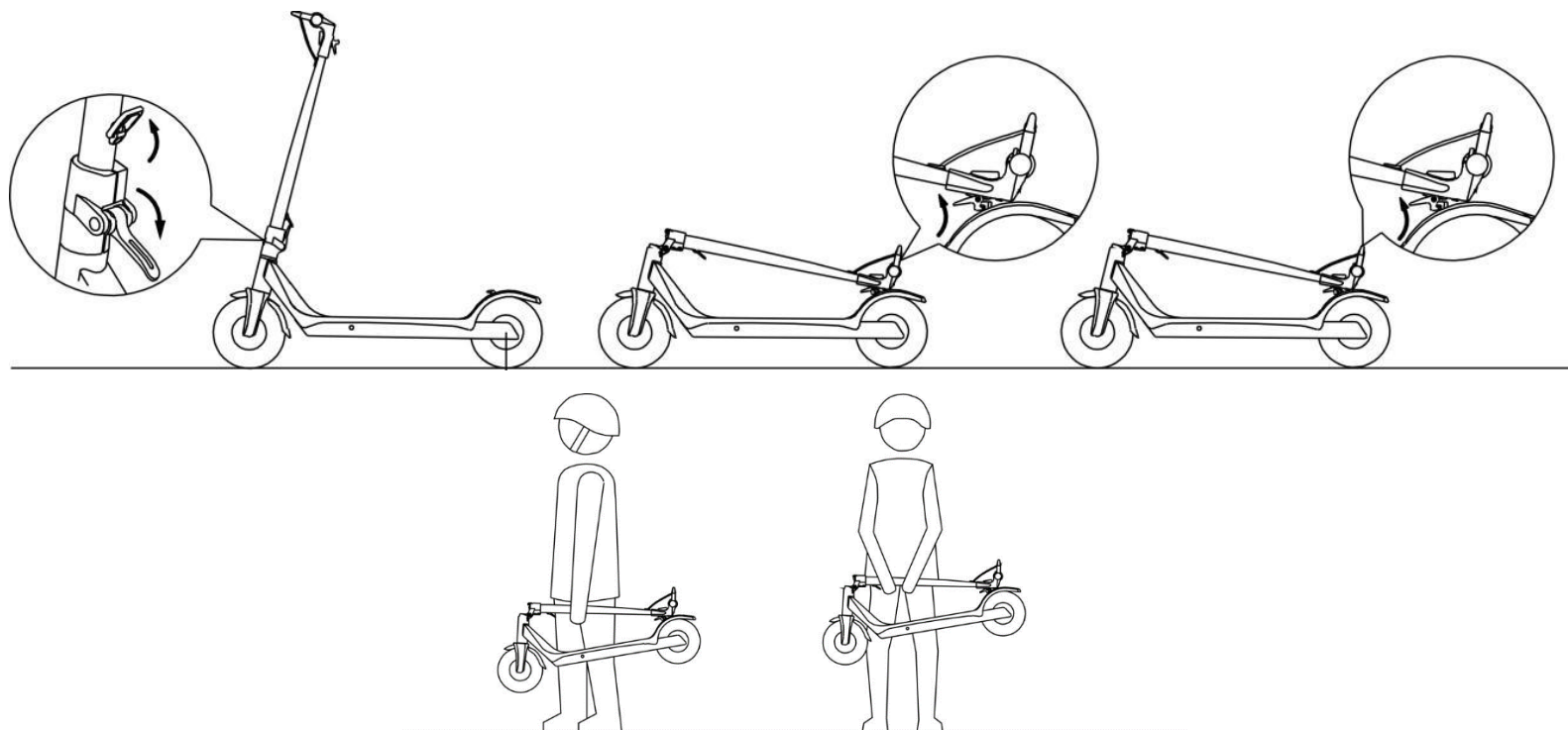
Skontrolujte, či je e-kolobežka vypnutá.

Pridržte rukou riadiacu tyč, otvorte bezpečnostnú poistku a vytiahnite bezpečnostnú svorku riadidiel.

Zložte riadidlá. Pripevnite riadidlá k zadnému kolesu.

Postup skladania je teraz dokončený.

Výrobok sa dá ľahko prenášať.



Montáž riadidiel



1. Aby ste správne vložili riadidlá, bez poškodenia káblov vnútri, jemne potiahnite 3 káble v spodnej časti predstavca riadidiel.
2. Namontujte riadidlá na predstavec.
3. Keď sú riadidlá správne upevnené skrutkami, zatlačte tri lanká smerom dovnútra hriadeľa riadidiel tak, aby pri používaní kolobežky neprekážali.
4. Nakoniec použite dodanú gumenú špirálu: omotajte ju okolo troch káblov.

LED displej

LED displej je umiestnený na hornej časti riadidiel pred používateľom.

Dlhým stlačením vypínača zapnete/vypnete e-kolobežku. Jedným krátkym stlačením tlačidla napájania prepnete z Gear 1 na Gear 2. Opätovným krátkym stlačením prepnete z Gear 2 na Gear 3. Dvakrát rýchlo stlačte tlačidlo napájania, aby ste zapli/vypli predné LED svetlo. Trikrát rýchlo stlačte tlačidlo napájania, aby ste prepli z km/h na MPH.

Ak sa e-kolobežka nepoužíva 10 minút, automaticky sa vypne.

Takto vypadá displej:

Aktuálna rýchlosť

Rýchlosť sa zobrazuje v km/h. Mení sa spolu s aktuálnou rýchlosťou.

Symbol Bluetooth

Funkcia nie je pre tento produkt dostupná. Tento indikátor sa nikdy nezapne.

Indikátor teploty

Funkcia nie je pre tento produkt dostupná. Tento indikátor sa nikdy nezapne.

Svetelný indikátor

Tento symbol sa rozsvieti, keď je zapnuté predné svetlo. Dvakrát rýchlo stlačte tlačidlo napájania, aby ste zapli/vypli predné a zadné LED svetlo.

Kapacita batérie

Kapacita batérie e-kolobežky sa zobrazuje pomocou pásov od 100 % (plná batéria) po 0 % (prázdna batéria).

Ak je batéria plne nabitá, na displeji svietia všetky pásiky a ak je batéria veľmi vybitá, svieti len jeden pásik. Počas používania sa kapacita batérie postupne znižuje. Ak je kapacita batérie veľmi nízka (svieti len jeden pásik), pre svoju bezpečnosť prestaňte jazdiť a nabite batériu pre ďalšie používanie.

Režimy

Rýchlostný stupeň 1 je určený pre nízke rýchlosti (**max. 6 km/h**); rýchlostný stupeň 2 je určený pre strednú rýchlosť (**max. 15**



km/h); rýchlostný stupeň 3 je určený pre vysokú rýchlosť (**max. 25 km/h**).

Jedným krátkym stlačením tlačidla napájania prepnete z rýchlostného stupňa 1 na rýchlostný stupeň 2. Opätovným krátkym stlačením prepnete z rýchlostného stupňa 2 na rýchlostný stupeň 3. Z bezpečnostných dôvodov sa odporúča zaradiť rýchlostný stupeň, iba ak sa e-kolobežka zastaví. Funkcia pamäte pri vypnutí: rýchlostný stupeň bude použitý pri poslednom použití.

Indikátor tempomatu

Funkcia nie je pre tento produkt dostupná. Tento indikátor sa nikdy nezapne.

Návod na obsluhu

Pred prvou jazdou na e-kolobežke musí byť batéria úplne nabitá.

Dodržiavajte pokyny uvedené v tomto návode, aby ste sa vyhli technickým problémom.

Po každej jazde sa snažte batériu dobiť, čo môže výrazne predĺžiť jej životnosť.

Najprv umiestnite e-kolobežku na rovný povrch.

E-kolobežka je určená na jazdu na rovnom povrchu. Pri jazde na nerovnom a hrbolatom povrchu buďte opatrní.

Stlačte tlačidlo napájania na displeji aby ste zapli displej a kolobežku.

Skontrolujte úroveň nabitia batérie na displeji.

Zvoľte požadovaný prevodový stupeň.

Položte jednu nohu na nášlapnú dosku. Šliapte na nášlapnú dosku len jednou nohou. Obe ruky držte na riadidlách.

Táto e-kolobežka má pre vašu bezpečnosť funkciu "kick-and-go".

Stačí nohou tlačiť e-kolobežku dopredu a motor sa aktivuje, keď dosiahnete rýchlosť 3 km/h.

Jemne stlačte páčku na pravej rukoväti: e-kolobežka zrýchli.

Šliapnite druhou nohou na nášlapnú dosku, kým sa e-kolobežka pohybuje.

Ak chcete spomaliť, uvoľnite páčku zrýchľovania.

Stlačte brzдовú páku na ľavej rukoväti: e-kolobežka začne brzdiť.

Zastavte e-kolobežku a vystúpte. Vypnite displej.

Keď e-kolobežku nepoužívate, môžete ju oprieť o stojan.



Vzdialenosť

Maximálny dojazd je približne 25-30 km. Tento maximálny dojazd je ovplyvnený typom cesty (rovný a hladký povrch vzdialenosť zvýši, v opačnom prípade sa vzdialenosť zníži), okolitou teplotou, údržbou (pneumatiky, batérie).

Zaťaženie

Maximálna hmotnosť vodiča by mala byť 100 kg a minimálna hmotnosť 30 kg. Tieto limity zabezpečujú bezpečnosť vodiča a znižujú poškodenie e-kolobežky.

Batéria

Nabitie batérie (a tým aj maximálny dojazd) ovplyvňujú niektoré faktory, ako napr:

1. Povrch (ak povrch nie je rovný, vybijanie sa zvyšuje).
2. Hmotnosť používateľa.
3. Okolité teplota.

4. Štýl jazdy a rýchlosť ovplyvňujú životnosť nabitej batérie: konštantná a mierna rýchlosť pozitívne ovplyvňuje nabitú batériu; vysoká a nepravidelná rýchlosť znižuje životnosť nabitej batérie.
5. Údržba (používateľ musí udržiavať batériu v dobrom stave a správne ju nabíjať).

VAROVANIE

Pred prvou jazdou nabite batériu.

Batériu plne nabite každé 2 mesiace (počas 6-8 hodín), aj keď e-kolobežku nepoužívate.

Nabíjanie batérie

Pred prvým rozložením elektrickej kolobežky si prečítajte návod na obsluhu.

Ak zistíte, že indikátor napájania ukazuje veľmi nízky výkon, pre svoju bezpečnosť zastavte jazdu.

Po každej jazde sa snažte batériu dobiť, čo môže výrazne predĺžiť jej životnosť.

Nabíjanie by malo prebiehať v bezpečnom, suchom a čistom prostredí.

Kolobežka musí byť pred nabíjaním vypnutá.

Počas nabíjania batérie e-kolobežku nepoužívajte.

VÝSTRAHA / UPOZORNENIE

Batéria obsahuje nebezpečné látky.

Ak je teplota nižšia ako 0 °C, batériu nenabíjajte.

Nepokúšajte sa batériu otvoriť a nekladajte do nej žiadne predmety.

Nenabíjajte batériu cez noc alebo v čase, keď nemôžete e-kolobežku pozorovať.

Nabíjajte a skladujte na otvorenom, suchom mieste, mimo horľavých predmetov (t. j. predmetov, ktoré sa môžu vznietiť).

Nenabíjajte bezprostredne po jazde. Pred nabíjaním nechajte kolobežku hodinu vychladnúť.

Ak ju niekomu požičiavate, nechajte ju v čiastočne nabitom stave. Nevyberajte ju z obalu, aby ste ju uviedli do stavu úplného nabitia a potom ju znovu zabalili.

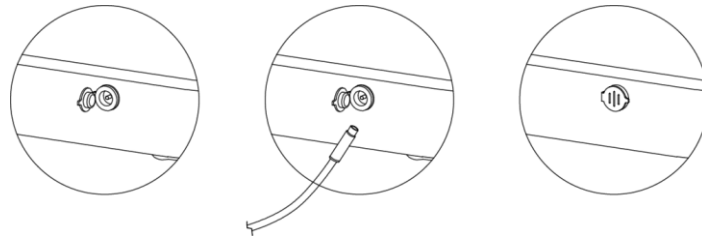
E-kolobežka je často z výroby čiastočne nabitá. Ponechajte ju v tomto stave, pokiaľ nebude pripravená na použitie. Batériu správne zlikvidujte a recyklujte v súlade s miestnymi predpismi o recyklácii a ochrane životného prostredia. S batériou nikdy nezaobchádzajte ako s bežným domovým odpadom, aby ste zabránili výbuchu a kontaminácii. Batériu nikdy nevhadzujte do ohňa. Pred likvidáciou je potrebné batériu z kolobežky vybrať. Musí sa používať iba originálna nabíjačka. Ak je potrebná výmena, obráťte sa na svojho predajcu.

UPOZORNENIE

Nepoužívajte e-kolobežku, ak je batéria vybitá.
Nepoužívajte e-kolobežku, ak je cítiť zápach horenia.
Nepoužívajte e-kolobežku, ak batéria vytečie.
Nedotýkajte sa ničoho, čo vyteká z batérie.
Nedovoľte deťom ani zvieratám dotýkať sa batérie.
Pred jazdou na e-kolobežke odpojte nabíjačku od elektrickej siete.
Používajte iba dodanú batériu a dodanú nabíjačku.
Demontáž a údržbu batérie smú vykonávať len odborníci. Obráťte sa na svojho predajcu.

POKYNY NA NABÍJANIE

1. Skontrolujte, či je nabíjací port suchý. Otvorte ochranný kryt a vložte nabíjačku do nabíjacieho portu e-kolobežky. Druhý koniec nabíjačky musí byť pripojený k elektrickej sieti, aby sa nabíjačka aktivovala.
2. Najprv pripojte kábel nabíjačky k e-kolobežke. Potom pripojte kábel nabíjačky k elektrickej sieti.
3. Kontrolka na nabíjačke bude svietiť na červeno: to znamená, že prebieha nabíjanie. Nabíjanie by malo prebiehať v bezpečnom, suchom a čistom prostredí.
4. Keď sa kontrolka rozsvieti na zeleno, batéria je úplne nabitá. Prestaňte nabíjať, inak sa skrátí životnosť batérie. Čas nabíjania je približne 6-8 hodín. Príliš dlhý čas nabíjania ovplyvní životnosť batérie.
5. Odpojte kábel nabíjačky batérie. Vráťte kryt späť do požadovanej polohy.



Výrobok a batériu udržiavajte pri odporúčanej teplote, aby sa zachovala najvyššia účinnosť e-kolobežky a batérie. Ak sa používa v extrémne chladnom alebo horúcom prostredí, čas nabíjania sa predĺži. Prevádzková teplota: 0°C ~ 40°C. Počas nabíjania skontrolujte teplotu batérie. Teplota počas nabíjania musí byť: 0 °C ~ 40 °C. Úroveň vlhkosti počas nabíjania musí byť: 5%- 95%. Ak je teplota vyššia ako 40 °C, môže dôjsť k poškodeniu funkčnosti kolobežky a k skráteniu životnosti batérie.

Preprava batérie

Lítiové batérie sa považujú za nebezpečný tovar. Overte si miestne zákony týkajúce sa prepravy.

Rýchlostné obmedzenia

Maximálna rýchlosť je 25 km/h. Keď vodič dosiahne maximálnu rýchlosť, e-kolobežka ju udrží, aj keď vodič chce zrýchliť.

Bezpečná jazda

1. Pred prvým použitím si pozorne prečítajte tento návod na použitie.
2. Pri jazde vždy používajte prilbu, chrániče kolien a laktov.

3. Noste pohodlnú plochú obuv.
4. Vždy skontrolujte, či je používanie e-kolobežky povolené (miestne zákony).
5. Vždy skontrolujte úroveň nabitia batérie. Ak je kapacita batérie príliš nízka, e-kolobežka sa môže náhle zastaviť a spôsobiť pád jazdca.
6. Tento výrobok nie je vhodný pre deti mladšie ako 14 rokov
7. V prípade jazdcov mladších ako 18 rokov je potrebný dozor dospelšej osoby.
8. Kolobežka je určená len pre osobnú zábavu. Je zakázané ju používať ako prostriedok verejnej dopravy.
9. Je zakázané používanie e-kolobežku na cestách pre vozidlá.
10. Je zakázané prepravovať tovar počas jazdy na e-kolobežke.
11. Dávajte pozor na predmety a osoby v blízkosti.
12. Náhle sa nerozbíhajte a ani nezastavujte. Náhle pohyby spôsobia, že e-kolobežka sa stane neovládateľnou.
13. Nepoužívajte ju na uliciach, v dopravnej premávke alebo v noci.
14. Nejazdite na tmavých miestach.
15. Dávajte pozor na cestu. E-kolobežka je určená na hladké a rovné povrchy.
16. Pri jazde na nerovnom povrchu jazdite kontrolovanou a pomalou rýchlosťou. Mierne pokrčte kolená, aby ste zmiernili nerovnosti.
17. Nejazdite po schodoch ani eskalátoroch.
18. Nejazdite po požití alkoholu alebo drog.
19. NESTLAČTE na plynovú páku, keď idete vedľa e-kolobežky.
20. E-kolobežku môže naraz používať len jedna osoba, aj keď táto osoba nedosahuje maximálnu hmotnosť.
21. Nadmerná hmotnosť je zakázaná. Prekročením hmotnosti by mohlo dôjsť k poškodeniu funkcií e-kolobežky.
22. Podváha je zakázaná. E-kolobežka už nemusí byť pod kontrolou.
23. Rýchlosť e-kolobežky je ovplyvnená typom cesty, okolitou teplotou a údržbou batérie.

24. Vždy dodržiavajte bezpečnú vzdialenosť medzi vami a inými vozidlami, osobami, prekážkami, aby ste zabránili kolízii.
25. Nejazdite v daždi. Vyhnite sa mokrým podlahám a kalužiam. Vyhnite sa kalužiam hlbším ako 2 cm.
Ovládanie e-kolobežky sa tým zníži. Používateľ by mohol spadnúť. Mohlo by dôjsť k poškodeniu elektrického systému e-kolobežky.
26. Vyhnite sa jazde na e-kolobežke na pozemku so snehom alebo ľadom alebo blatom. E-kolobežka by nebola pod kontrolou.
27. Nepoužívajte e-kolobežku v nebezpečných podmienkach alebo na nebezpečných miestach.
28. Chráňte ju pred požiarom.
29. Nedotýkajte sa kotúčovej brzdy: môže byť horúca.
30. Na riadidlá nevesajte tašky alebo iné ťažké príslušenstvo.
31. Nepokúšajte sa jazdiť hore alebo dole po schodoch, ani skákať cez prekážky.



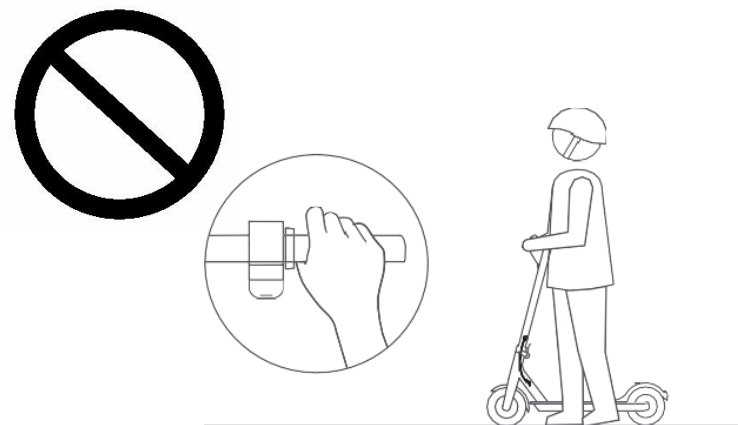
NEJAZDITE v daždivom / vlhkom počasí.



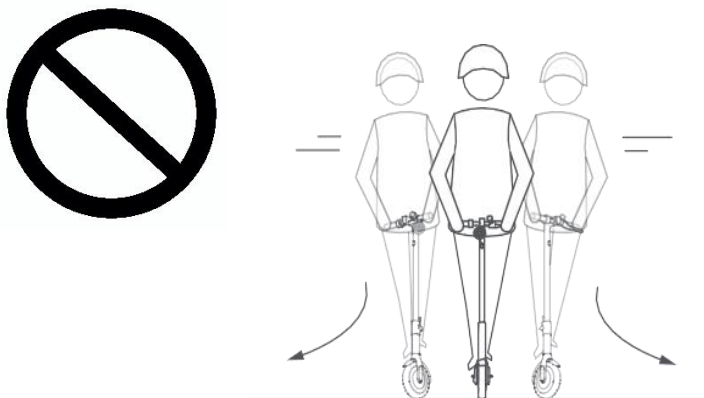
Jazdite kontrolovanou a pomalou rýchlosťou pri jazde po nerovnom povrchu. Mierne pokrčte kolená, aby ste absorbovali hrboľaté nárazy.



Vždy sa vyhýbajte prekážkam.



NEStláčajte plynovú páku, keď kráčate vedľa skútra.



NEOTÁČAJTE prudko riadidlami pri jazde vysokou rýchlosťou.

Údržba elektrickej kolobežky

E-kolobežka si vyžaduje bežné čistenie a údržbu.

Najprv sa uistite, že nabíjací kábel nie je pripojený. Pripevnite gumový kryt nabíjacieho portu na nášľapnej doske. Po druhé, e-kolobežka musí byť vypnutá. Teraz môžete e-kolobežku utrieť mäkkou vlhkou handričkou.

Na čistenie nepoužívajte alkohol, benzín, petrolej ani iné korozívne, prchavé chemické rozpúšťadlá, inak môže dôjsť k vážnemu poškodeniu povrchu a vnútornej štruktúry.

Na čistenie e-kolobežky nepoužívajte prúd vody.

Zabráňte vniknutiu vody alebo iných kvapalín do e-kolobežky. Mohlo by dôjsť k trvalému poškodeniu vnútornej elektroniky.

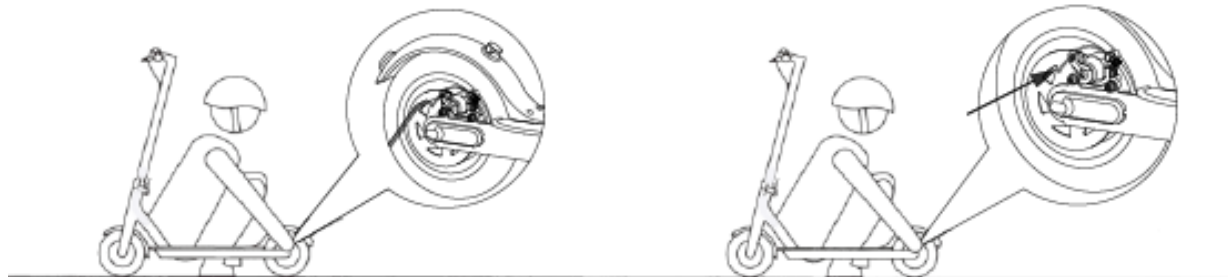
UPOZORNENIE

1. Ak chcete vymeniť niektorý diel, obráťte sa na miestneho predajcu. Výmenu akéhokoľvek dielu by mal vykonať predajca alebo autorizované servisné stredisko.
2. Upozornenie na vysvetlenie, že samosvorné matice a iné samosvorné upevňovacie prvky môžu stratiť svoju účinnosť a môže byť potrebné ich opätovne utiahnuť. Pravidelne kontrolujte, či sú všetky skrutky správne dotiahnuté.

Nastavte brzdu

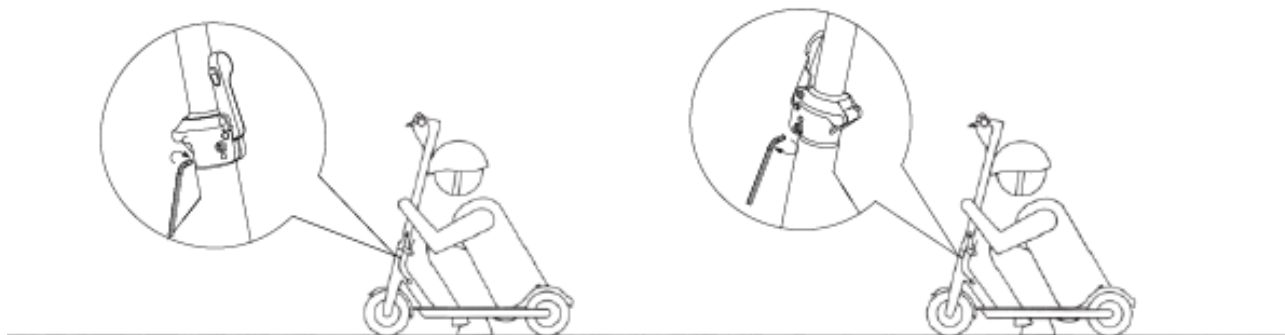
Ak je brzda veľmi napnutá: pomocou šesťhranného kľúča uvoľnite skrutky napínacej kladky brzdového kotúča proti smeru hodinových ručičiek, mierne zväčšite dĺžku lanka zadnej brzdy a potom napínaciu kladku dotiahnite.

Ak sa brzda zdá byť príliš voľná, uvoľnite napínaciu kladku, potiahnite brzdové lanko a mierne skráťte dĺžku brzdového lanka. Utiahnite napínaciu kladku.



Nastavte riadidlá

Rozloženie hrebeňa riadenia: použite šesťhranný kľúč, utiahnite dve skrutky v blízkosti skladacieho mechanizmu.



VAROVANIE

Ako každý mechanický komponent, aj PLEV podlieha vysokému namáhaniu a opotrebovaniu. Rôzne materiály a komponenty môžu na opotrebovanie alebo únavu reagovať rôzne. Ak sa prekročí očakávaná životnosť komponentu, môže dôjsť k jeho náhlemu poškodeniu, a tým k riziku zranenia používateľa. Praskliny, škrabance a zmena farby v oblastiach vystavených vysokému namáhaniu naznačujú, že komponent prekročil svoju životnosť a mal by sa vymeniť.

VAROVANIE

Odporúčania, nevykonávajte žiadne úpravy, ktoré nie sú uvedené v pokynoch výrobcu.

VAROVANIE

Neotvárajte e-kolobežku z akéhokoľvek dôvodu. Používateľ je zodpovedný za akékoľvek následky. Neodborníci nesmú bez povolenia rozoberať batériu, inak môže dôjsť k vážnym nehodám v dôsledku úrazu elektrickým prúdom alebo k skratu.

Skladovanie elektrickej kolobežky

Pred uskladnením e-kolobežky sa uistite, že je plne nabitá.

Ak sa e-kolobežka skladuje dlhší čas, každé 2 mesiace zabezpečte jej úplné nabitie po dobu 6-8 hodín.

Ak sa batéria nenabije raz za 2 mesiace, môže sa poškodiť v dôsledku nadmerného vybitia. Takéto poškodenie je neopraviteľné.

Poškodenú batériu z dôvodu nadmerného vybitia už nie je možné opätovne nabiť a nevzťahuje sa na ňu záručný servis.

E-kolobežku neskladujte pri teplotách nižších ako 0 °C. Ak e-kolobežku nepoužívate, skladujte ju na chladnom a suchom mieste.

E-kolobežku uchovávajte vo vlastnom obale alebo ju zakryte, aby na ňu nepadal prach.

Dlhodobé vystavenie slnečnému žiareniu / prehriatiu / prechladeniu vonkajšieho prostredia urýchli starnutie výrobku, kolies a batérie.

VAROVANIE

Neotvárajte e-kolobežku z akéhokoľvek dôvodu. Používateľ je zodpovedný za akékoľvek následky. Neodborníci nesmú bez povolenia rozoberať batériu, inak môže dôjsť k vážnym nehodám v dôsledku úrazu elektrickým prúdom alebo k skratu.

Parametre

Vhodný vek používateľa	od 14 rokov
Minimálne-Maximálne zaťaženie	30 kg - 100 kg
Maximálna rýchlosť	25 km/h
Výkon motora	350W
Výdrž	až 30 km (v závislosti na terénu, sklonu, rýchlosti, štýlu jazdy)
Napájanie	AC 100-240 V, 50/60 Hz
Batéria	10.000 mAh Lítiová nabíjateľná batéria
Kapacita batérie	360 Wh
Napätie batérie	36 V DC
Relatívna vlhkosť počas skladovania	5%-95%
Prevádzková teplota	0 °C-40 °C
Čas nabíjania	približne 6-8 hodín
Rozmery v rozloženom stave	105 x 43 x 114 cm
Rozmery v zloženom stave	105 x 43 x 47 cm
Čistá hmotnosť jednotky	približne 14 kg
Priemer kolies	8,5 palcov

Pozáručný servis

V prípade technických problémov sa obráťte na svojho predajcu.

Záruka

Pred použitím e-kolobežky si pozorne prečítajte tieto pokyny. Nepoužívajte e-kolobežku, ak je jej používanie zakázané. Nepoužívajte e-kolobežku, ak by mohla spôsobiť nebezpečenstvo pre používateľa a osoby / veci v okolí.

Na tento výrobok sa vzťahuje záruka na bezchybnosť materiálu, spracovania a funkčnosti (s výnimkou estetických dielov) po dobu 2 rokov od dátumu zakúpenia. Táto záruka sa nevzťahuje na výrobky, ktoré boli vystavené nesprávnemu používaniu, zanedbaniu, náhodným alebo neštandardným prevádzkovým podmienkam, a nevzťahuje sa na prirodzené vyblednutie materiálov. Opravu e-kolobežky zverte kvalifikovaným a autorizovaným osobám. Neodborné opravy môžu spôsobiť poruchy a riziká a zrušiť vaše práva na záruku.

Záruka na batérie: 6 mesiacov.

Správna likvidácia batérie



Podľa európskej smernice 2006/66/ES. Toto označenie na batérii znamená, že batérie v tomto výrobku by sa po skončení ich životnosti nemali likvidovať spolu s iným domovým odpadom. Ak sa batérie správne nelikvidujú, tieto látky môžu poškodiť ľudské zdravie alebo životné prostredie. V záujme ochrany prírodných zdrojov a podpory opätovného používania materiálov oddel'te batérie od ostatného odpadu a recyklujte ich prostredníctvom miestneho bezplatného systému spätného odberu batérií. V prípade potreby požiadajte miestny bezplatný systém spätného odberu batérií, aby batériu vybrali z obalu.

Správna likvidácia produktu



Podľa smernice 2012/19/ES. Toto označenie na výrobku, príslušenstve alebo literatúra uvádza, že výrobok a jeho elektronické príslušenstvo by sa po skončení životnosti nemali likvidovať spolu s iným domovým odpadom. Aby ste predišli možnému poškodeniu životného prostredia a ľudského zdravia v dôsledku nekontrolovanej likvidácie odpadu, oddel'te tieto predmety od iných druhov odpadu a zodpovedne ich recyklujte, aby ste podporili udržateľné opätovné využívanie materiálových zdrojov. Používatelia v domácnostiach by sa mali obrátiť buď na predajcu, u ktorého výrobok zakúpili, alebo na svoj miestny úrad, aby získali podrobné informácie o tom, kde a ako môžu tieto predmety odovzdať na ekologicky bezpečnú recykláciu.

CE Vyhlásenie o zhode

Výrobca:

Asia Kingston (HK) Limited

Adresa: 26/F., 77 Connaught Road Central, Hong Kong

Dovozca a autorizovaný zástupca výrobcu:

Tauer Group a.s.

Adresa: Mlády Horákové 357/4, 568 02 Svitavy, Česká republika

Výrobok:

Opis: elektrická kolobežka

Značka výrobcu: ISA NASA

Modelové označenie: NASA-MERCURY85-10W

Dátum výroby: Apríl 2023

Vyhlasujeme, že vyššie uvedený výrobok, ktorého sa toto vyhlásenie týka, je v súlade s príslušnými požiadavkami harmonizovaných zákonov EÚ:

Smernica 2014/30/EU Rady Európskeho parlamentu (EMC)

Uplatnené sú nasledujúce európske harmonizované normy:

EN 17128:2020

EN 60335-1:2012

EN 55014

67

Miesto a adresa, kde sa vyhlásenia a súvisiace súbory uchovávajú:

Tauer Group a.s., Mlády Horákové 357/4, 568 02 Svitavy, Česká republika

Miesto vyhlásenia: Svitavy, Česká republika

Dátum: Apríl 2023

Podpísaný menom Asia Kingston (HK) Limited a Tauer Group a.s.


Ivan Tauer
Člen predstavenstva
Tauer Group a.s.


Tauer Group a.s.
Mlády Horákové 357/4
568 02 Svitavy
DIČ: CZ25921100
tel.: +461 540 131

POZNÁMKA: Toto vyhlásenie o zhode sa vzťahuje len na elektrické skútre predávané v krajinách, ktoré dodržiavajú smernice o označovaní CE.

MADE IN CHINA



Obrázky v tomto návode na použitie slúžia len na ilustračné účely. Naša spoločnosť nenesie zodpovednosť za nesprávne používanie výrobku. Naša spoločnosť si vyhradzuje právo na zmenu výrobku a obsahu tohto návodu bez predchádzajúceho upozornenia.

VYROBENÉ SPOLOČNOSŤOU
Asia Kingston (HK) Ltd.
26/F, 77 Connaught Road, Central,
Hong Kong

DOVÁŽANÉ A DISTRIBUOVANÉ SPOLOČNOSŤOU
Tauer Group a.s.
Milady Horakove 357/4, 56802 Svitavy,
Česká republika

tauer[®]
■group



NASA photo, Source:
International Space Archives LLC
NASA graphic, Source:
International Space Archives LLC
International Space Archives logo ©
International Space Archives LLC

International Space Archives logo
used under license by Asia Kingston (HK) Ltd