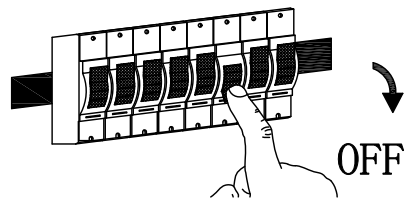
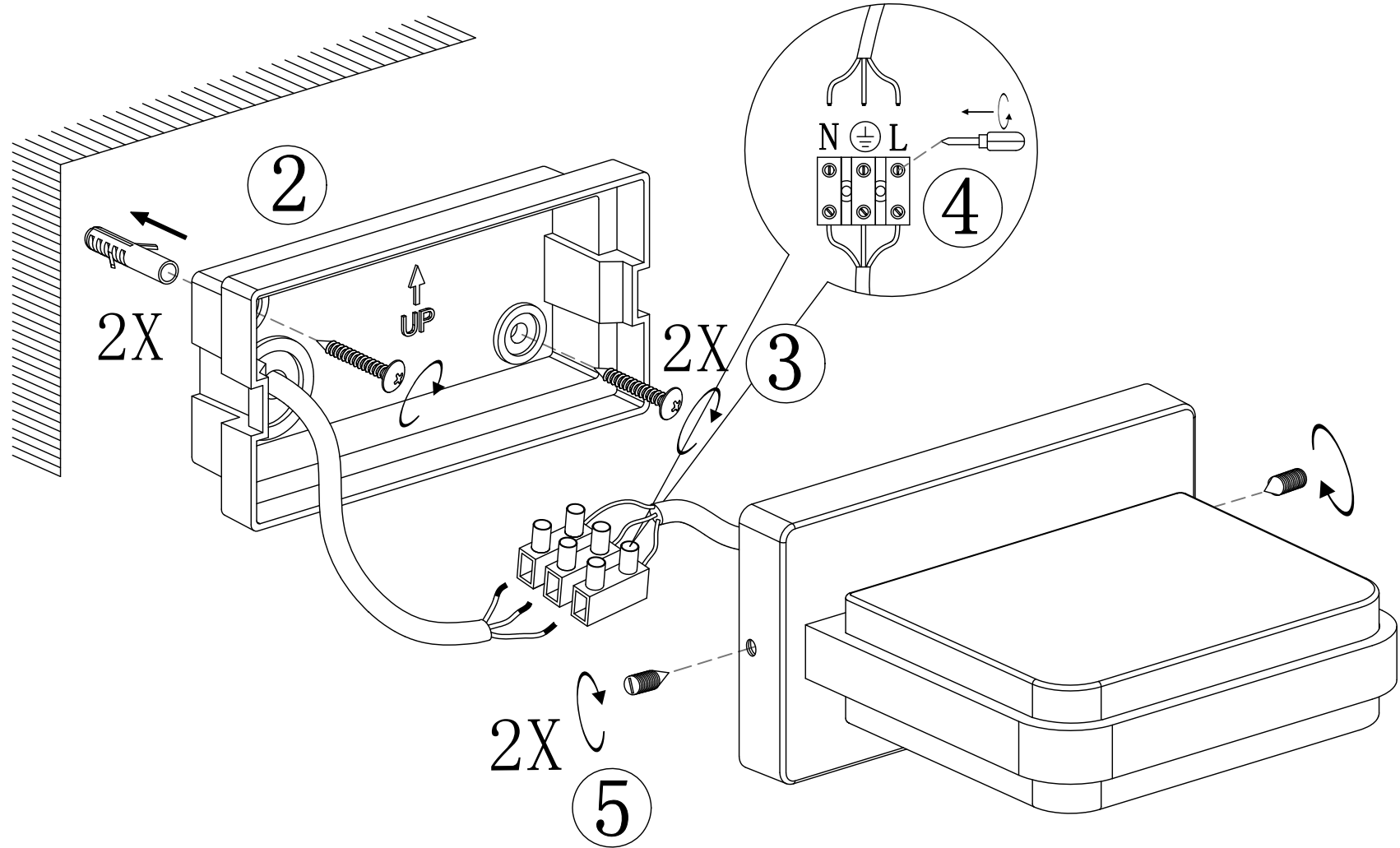


1



rabalux[®] 77061



2

2X

UP

2X

3

N ⊕ L

4

2X

5

6

ON