

Wall-Mount Bracket

Installation Information	EN
Informations d'installation	FR
Información de instalación	ES
Installationsinformationen	DE
Installatie-informatie	NL
Informazioni sull'installazione	IT
Installationsinformation	SE
Informacje dotyczące instalacji	PL
Informações de instalação	PT
Oplysninger om montering	DK
Asennustiedot	FI
Installasjonsveiledning	NO
Πληροφορίες εγκατάστασης	GR
Montaj Bilgileri	TR
Szerelési információk	HU
Instalační informace	CZ
Informácie týkajúce sa montáže	SK
Informații de instalare	RO

Информация за монтаж	BG
Информация по установке	RU
Інформація про встановлення	UA
Paigaldusteave	EE
Uzstādīšanas informācija	LV
Montavimo informacija	LT
Navodila za uporabo	SI
Informacije za instalaciju	HR
Орнату ақпаратты	KZ
Informacije za montažu	SR
安裝信息	CS
安裝資訊	CT
Thông tin Lắp đặt	VN
ข้อมูลการติดตั้ง	TH
Informasi Pemasangan	ID
הוראות התקנה	HE
معلومات التركيب	AR
اطلاعات نصب	PR

Installation Information for Using Sony Wall-Mount Bracket (SU-WL850)

Supported models*1:

*1 In the actual model names, the "x"/"xx" indicates numbers and/or characters specific to each model.

K-77XR8x / 65XR8x / 55XR8x

To Customers

For product protection and safety reasons, Sony strongly recommends that installation of your TV be performed by Sony dealers or licensed contractors. Do not attempt to install it yourself.

To Sony Dealers and Contractors

Provide full attention to safety during the installation, periodic maintenance and examination of this product.

Sufficient expertise is required for installing this product, especially to determine the strength of the wall for withstanding the TV's weight. Be sure to entrust the attachment of this product to the wall to Sony dealers or licensed contractors and pay adequate attention to safety during the installation. Sony is not liable for any damage or injury caused by mishandling or improper installation.

For Safety and proper installation, follow the Wall-Mount Bracket Operation Instructions, TV Setup Guide and the directions in this manual.

Wall-Mount Bracket

On Safety

Thank you for purchasing this product.

To Customers

Installing the TV to the Wall



PROFESSIONAL INSTALLATION REQUIRED

This product should only be installed by a professional installer who is trained to determine the strength of the wall for withstanding the TV's weight. If it is not properly secured during installation, the TV may fall and cause serious injury. Sony is not liable for any damage or injury caused by mishandling or improper installation, or installing any other than the specified product. Your Statutory Rights (if any) are not affected.

To Sony Dealers

Sufficient expertise is required for installing this product. Be sure to read this instruction manual thoroughly to do the installation work safely. Sony is not liable for any damages or injury caused by mishandling or improper installation. Please give this manual to the customer after installation.

This instruction manual shows the correct handling of the product and important precautions necessary to prevent accidents. It is your responsibility to read, thoroughly understand, and follow all instructions in this instruction manual. Failure to do so may result in serious personal injury or property damage, and may void the warranty. Keep this manual available for future reference.

Products by Sony are designed with safety in mind. If the products are used incorrectly, however, it may result in a serious injury through fire, electric shock, the product toppling over, or the product dropping. Be sure to observe the precautions for safety to prevent such accidents.

CAUTION

Specified products

This Wall-Mount Bracket is designed for use with the products specified TVs. For TVs, refer to their Reference Guide to verify that the Wall-Mount Bracket can be used.

To Customers

WARNING

If the following precautions are not observed, serious injury or death through fire, electric shock, or the product dropping can result.

Be sure to subcontract the installation to licensed contractors and keep small children away during the installation.

If the Wall-Mount Bracket or the TV is not installed correctly, the following accidents may occur. Be sure licensed contractors carry out installation.

- The TV may fall and cause a serious injury such as a bruise or a fracture.
- If the wall on which the Wall-Mount Bracket is installed is unstable, uneven, or not perpendicular to the floor, the unit may fall and cause injury or property damage. The wall should be capable of supporting a weight of at least six times the TV weight. (Refer to your TV's Reference Guide for its weight.)
- If the installation of the Wall-Mount Bracket on the wall is not sufficiently sturdy, the unit may fall and cause injury or property damage.

Be sure to subcontract moving or dismantling of the TV to licensed contractors.

If persons other than licensed contractors transport or dismount the TV, it may fall and cause injury or property damage. Two or more persons (three or more persons for 189.3 cm (75 inches) and above TV) are needed to transport a large TV set (except Egypt).

Two or more persons (three or more persons for 75 inches (189.3 cm) and above TV) are needed to transport a large TV set (Egypt only).

Do not remove screws, etc., after mounting the TV.

If you do so, the TV may fall and cause injury or property damage.

Do not make alterations to the parts of the Wall-Mount Bracket.

If you do so, the Wall-Mount Bracket may fall and cause injury or property damage.

Do not mount any equipment other than the specified product.

This Wall-Mount Bracket is designed for use with the specified product only. If you mount equipment other than specified, it may fall or break, and cause injury or property damage.

Do not apply any load other than the TV on the Wall-Mount Bracket. Do not shake the TV left/right, up/down.

If you do so, the TV may fall and cause injury or property damage.

Do not lean on or hang from the TV.

Do not lean on or hang from the TV as it may fall on you and cause serious injury.

CAUTION

If the following precautions are not observed, injury or property damage may occur.

- Be careful to not pinch your fingers while handling the Wall-Mount Bracket or swiveling the TV set.
- While swiveling the TV set, handle it with caution and take care not to hit any people nearby.
- Be sure to store the unused parts in a safe place for future use. Keep them away from children.

Do not handle the product with excessive force during cleaning or maintenance.

Do not apply excessive force on the top side of the TV. If you do so, the TV may fall and cause injury or property damage.

Do not place this product close to medical devices.

This product (including accessories) has magnet(s) which may interfere with pacemakers, programmable shunt valves for hydrocephalus treatment, or other medical devices. Do not place this product close to persons who use such medical devices. Consult your doctor before using this product if you use any such medical device.

Keep out of the reach of children or the supervised individuals.

This product (including accessories) has magnet(s). Swallowing magnet(s) could cause serious harm, such as choking hazard or intestinal injuries. If magnets (or a magnet) were swallowed, consult a doctor immediately.

Precautions

- If you use the TV installed on the Wall-Mount Bracket for a long time, the wall behind or above the TV may become discolored or the wallpaper may come unstuck, depending on the material of the wall.
- If the Wall-Mount Bracket is removed after installing it on the wall, the screw holes are left.
- Do not use the Wall-Mount Bracket in a place where it is subjected to mechanical vibrations.

Installing the Wall-Mount Bracket

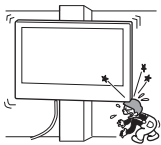
To Sony Dealers

WARNING

The following instructions are for Sony dealers only. Be sure to read safety precautions described above and pay special attention to safety during the installation, maintenance and checking of this product.

Do not install the Wall-Mount Bracket on wall surfaces where the corners or the sides of the TV protrude away from the wall surface.

Do not install the Wall-Mount Bracket on wall surfaces such as a pillar, where the corners or the sides of the TV protrude away from the wall surface. If a person or object happens to hit the protruded corner or side of the TV, it may cause injury or property damage.

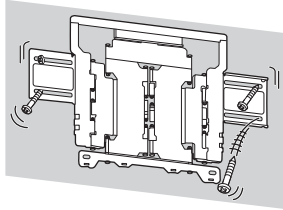


Do not install the TV over or under an air-conditioner.

If the TV is exposed to water leaks or air current from an air conditioner for a long time, it may cause a fire, an electric shock or a malfunction of the TV.

Be sure to install the Wall-Mount Bracket securely to the wall following the instructions in this instruction manual.

If any of the screws are loose or fall out, the Wall-Mount Bracket may fall and cause injury or property damage. Be sure to use the appropriate screws for the material of the wall and install the unit securely using four screws of 8 mm diameter (or equivalent).



Be sure to use the supplied screws and attachment parts properly following the instructions given in this instruction manual. If you use substitute items, the TV may fall and cause bodily injury to someone or damage to the TV.

Be sure to assemble the bracket properly following the instructed procedure explained in this instruction manual.

If any of the screws are loose or fall out, the TV may fall and cause bodily injury to someone or damage to the TV.

Be sure to tighten the screws securely in the designated position.

If you fail to do so, the TV may fall and cause bodily injury to someone or damage to the TV.

Be careful not to subject the TV to shock during installation.

If the TV is exposed to shock, it may fall or break apart. This may cause injury.

Be sure to install the TV on a wall that is both perpendicular and flat.

If you fail to do so, the TV may fall and cause injury.

After proper installation of the TV, secure the cables properly.

If people or objects get tangled with cables, this may result in injury or damage to the TV.

Do not allow the AC power cord (mains lead) or the connecting cable to be pinched.

If the AC power cord (mains lead) or the connecting cable is pinched between the unit and the wall or is bent or twisted by force, the internal conductors may become exposed and cause a short circuit or an electrical break. This may cause a fire or an electric shock.



The screws needed to secure the Wall-Mount Bracket to the wall are not supplied.

Use the appropriate screws for the wall material and structure when mounting the Wall-Mount Bracket.

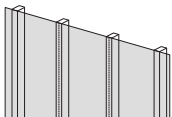
Before Getting Started

- The TV illustrations shown in this manual are examples used to provide clear explanations of the operations. For this reason, the illustrations may appear different from your actual TV.

What Is Your Wall Made Of?

Firstly, check the type of the wall to install the TV.

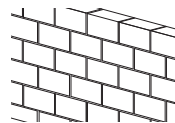
Dry wall with studs



Precautions

- Maximum dry wall thickness: 16 mm.
- Ensure that the inner wood stud size is at least 51 mm × 102 mm for common or 38 mm × 89 mm for nominal.
- Keep minimum 406 mm horizontal space between fasteners.

Solid concrete or concrete block



Precautions

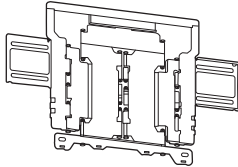



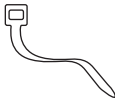
- Mount the Wall-Mount Bracket directly onto the solid concrete wall.
- Ensure that the thickness of solid concrete wall is at least 203 mm.
- Ensure that the size of each concrete block is at least 203 mm × 203 mm × 406 mm.

EN

Checking the Parts



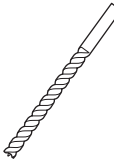
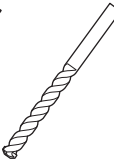
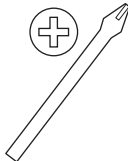
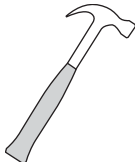
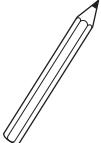
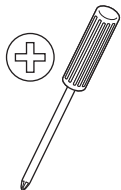
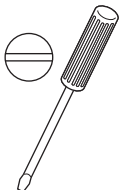




Supplied with SU-WL850

- Verify that all the parts are included.

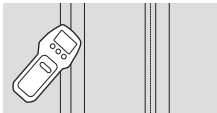
WM1 (x1) 	WM2 (x1) 	WM3 (x4) 
M6 (x4) 	WT1 (x6) 	

Preparing for Installation

- Have the TV's Reference Guide and Setup Guide at hand before installation.
- Confirm the installing position of your TV.
- Prepare four screws of 8 mm diameter and four proper washers (not supplied). Select screws suitable for the material of the wall.
- Prepare the following tools:

*1 		 5.5 mm	 10 mm	
*2 		 1.5 N·m {15 kgf·cm}	*3  1.5 N·m {15 kgf·cm}	
	*2  (x4)	*4  (x4) 8 mm × 60 mm	*4  (x4)	

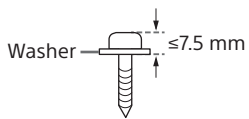
*1 Only for dry wall with studs



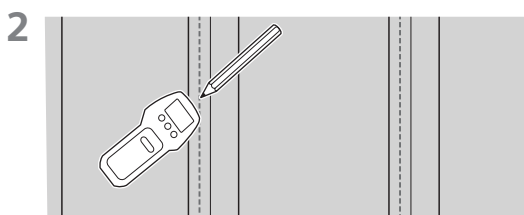
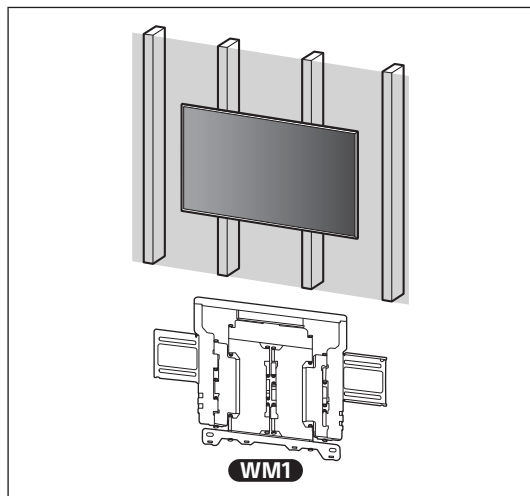
*2 Only for solid concrete or concrete block

*3 Depending on models

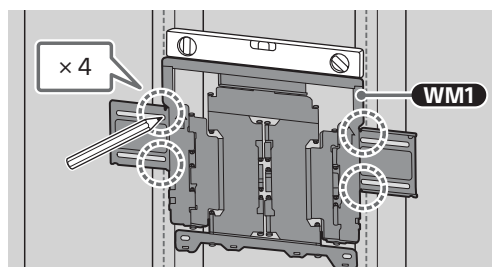
*4 Be careful when selecting screws and washers



A Attaching the Wall-Mount Bracket to the Dry Wall with Studs



3 Align **WM1** to the wall and make four marks aligned with the studs.



Installing the Wall-Mount Bracket to the Wall

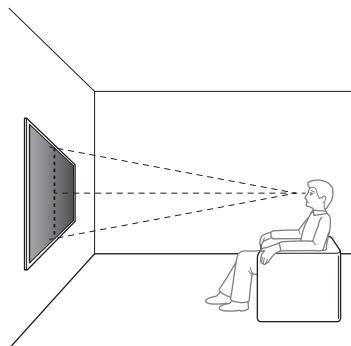
1 Decide on the installation location.

Make sure that the wall has enough space for the TV and is capable of supporting a weight of at least six times that of the TV.

- Refer "Measurement for Wall-Mount Bracket installation on the wall" on page 17.
- Refer to your TV's Reference Guide for the TV's weight.

Note

- When your TV is installed on the wall, the upper side of the TV slightly leans forward.
- We recommend you to check the position of TV in the viewing environment.

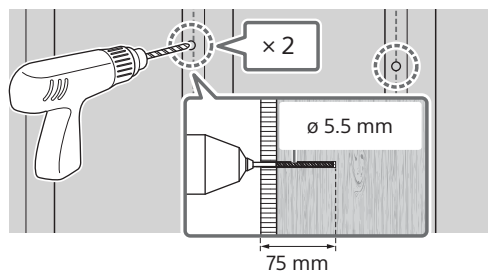


Note

- Use a level to check whether **WM1** is level.

4 Drill upper pilot holes on the marks.

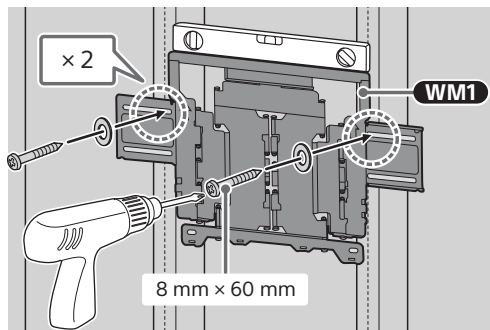
Make sure the location on the wall to drill the holes are strong enough to support a weight of at least six times that of the TV.



Note

- Pilot holes must be drilled to a depth of 75 mm, using a 5.5 mm diameter drill bit.

- 5 Install **WM1** on the wall using suitable screws (not supplied) and washers (not supplied).



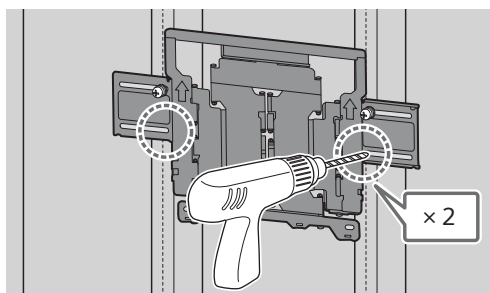
Note

- Use a level to check whether **WM1** is level.

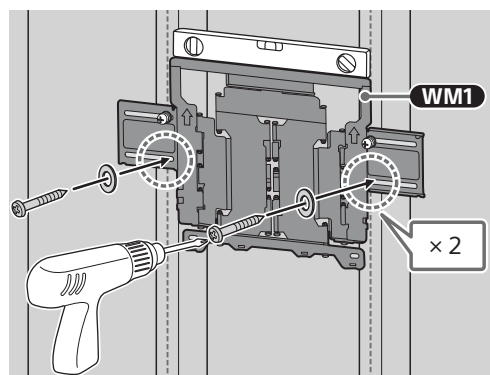
Precaution

- Do not over-tighten wooden screw 8 mm x 60 mm. Improper tightening could reduce the holding power of wooden screw 8 mm x 60 mm.

- 6 Drill lower pilot holes on the marks. (Refer step 4 for the drill instruction.)



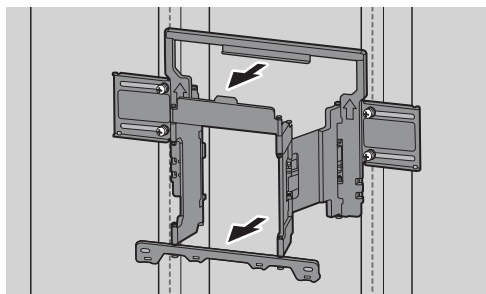
- 7 Fit the suitable screws and washers to the holes.



Note

- Use a level to check whether **WM1** is level.

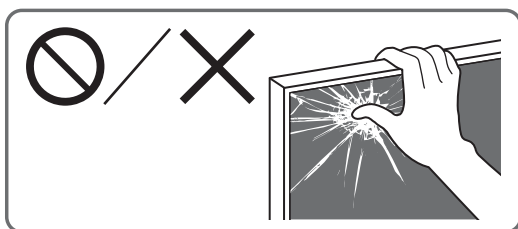
- 8 Pull out the arm of the bracket to the end.



Preparing for the Installation of the TV

Note

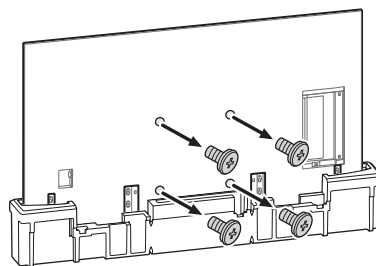
- Be sure to store the removed screws and unused parts in a safe place, keeping them away from children.



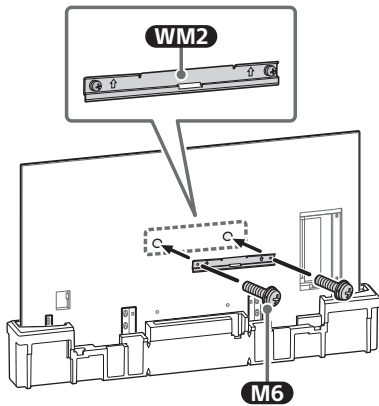
Installing the TV to the Wall from Carton*1

*1 Only for limited region/country/model.

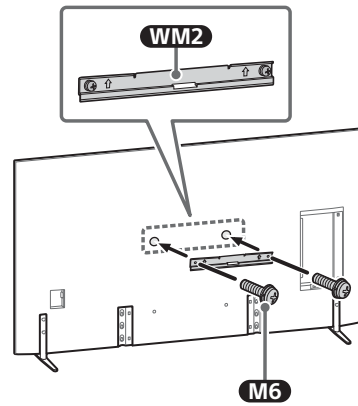
- 1 Remove the screws from the rear of the TV.



2 Attach the **WM2** to the TV using **M6**.

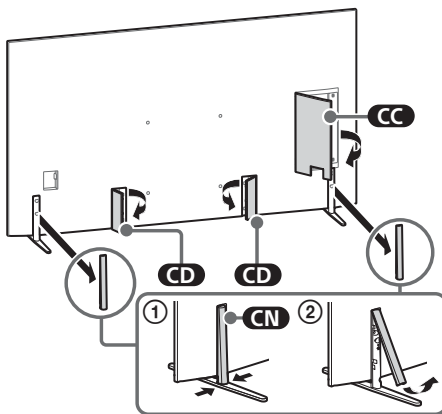


3 Attach the **WM2** to the TV using **M6**.

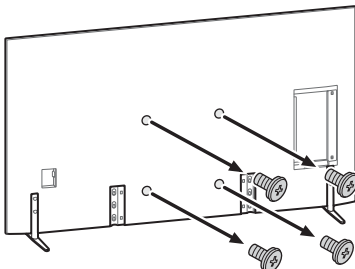


Installing the TV to the Wall from Table-Top Stand

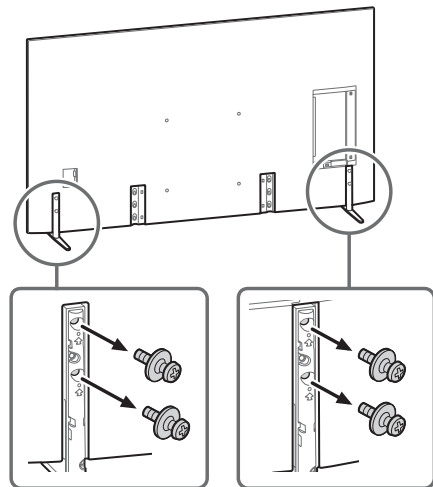
1 Remove the stand covers and terminal covers.



2 Remove the screws from the rear of the TV.



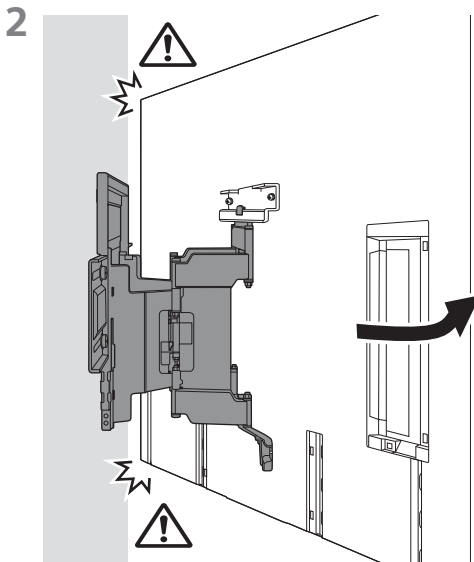
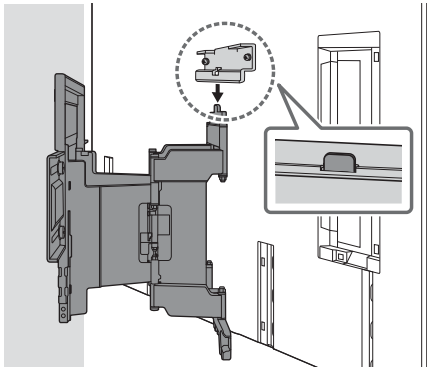
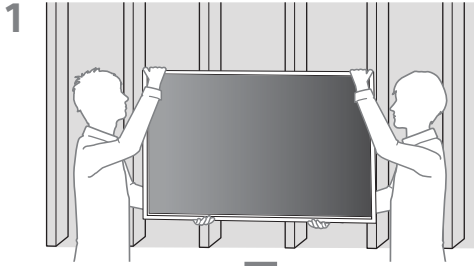
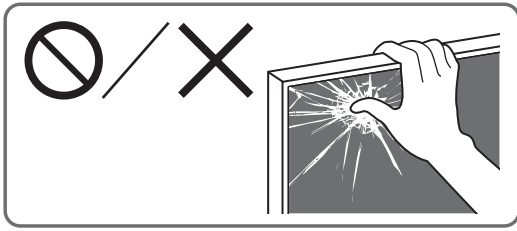
4 Detach the Table-Top Stand from the TV.



Note

- Be careful when lifting the TV as the Table-Top Stand is detached, the Table-Top Stand may topple over and cause personal injury.
- Take care when removing the Table-Top Stand from the TV to prevent it from falling over and damaging the surface that the TV is sitting on.

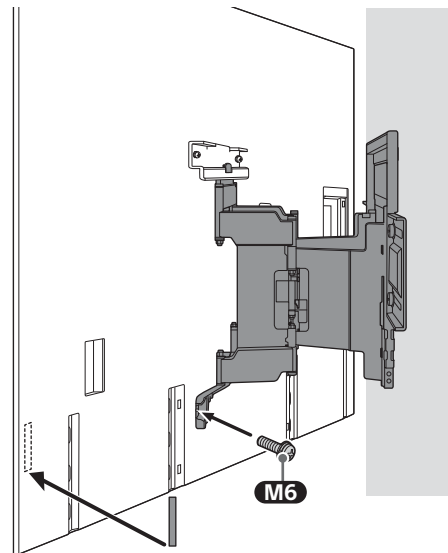
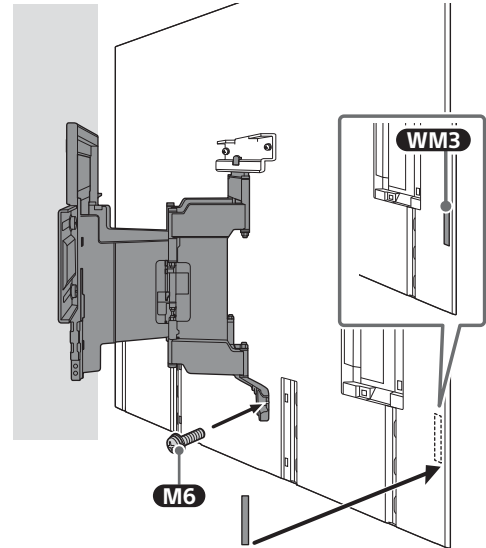
Installing the TV on the Wall

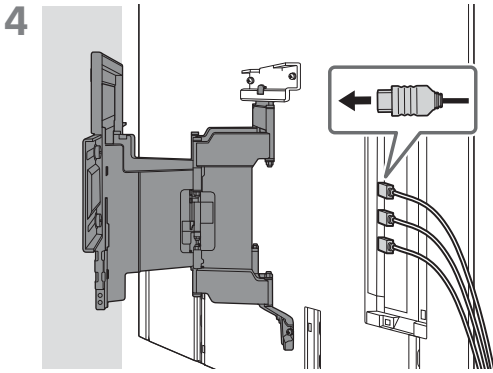


- 3 Screw the left and right side of the Wall-Mount Bracket using **M6** and attach **WM3**.

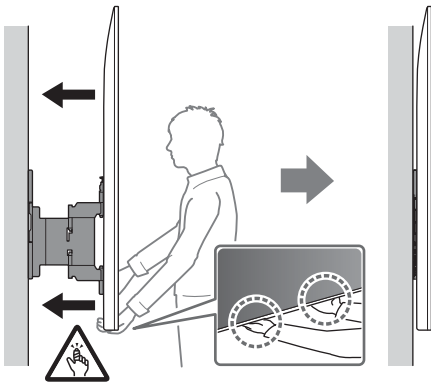
Note

- Do not attach **WM3** on the labels.



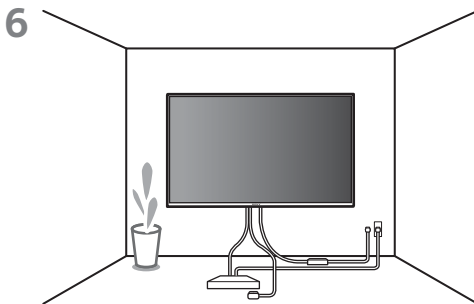


5 When moving the TV, hold it firmly from the bottom.



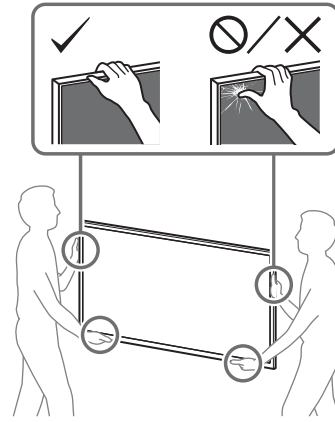
Note

- The TV may not move near close to the wall depending on the type and number of cables attached. This is not a malfunction.



WARNING

- Two or more persons (three or more persons for 189.3 cm (75 inches) and above TV) are needed to transport a large TV set (except Egypt).
Two or more persons (three or more persons for 75 inches (189.3 cm) and above TV) are needed to transport a large TV set (Egypt only).



Confirming the Completion of the Installation

Check the following points.

- The cord and the cable are not twisted or pinched.

WARNING

- Improper placement of the AC power cord (mains lead), etc. may cause fire or electric shock through a short circuit. Be sure to confirm the completion of the installation for safety.

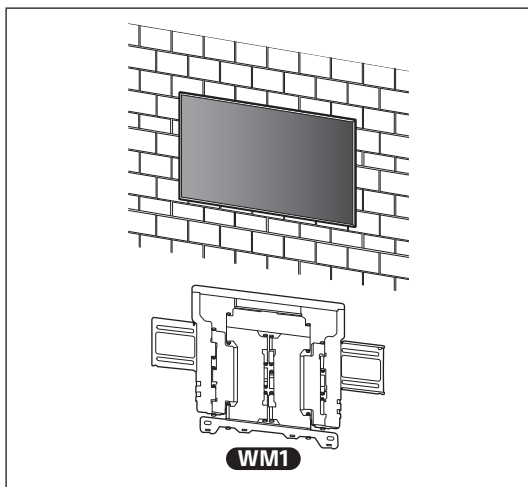
Other Information

When removing the TV, reverse the previous installation procedure.

WARNING

- Two or more persons (three or more persons for 189.3 cm (75 inches) and above TV) are needed to transport a large TV set (except Egypt).
Two or more persons (three or more persons for 75 inches (189.3 cm) and above TV) are needed to transport a large TV set (Egypt only).

B Attaching the Wall-Mount Bracket to the Solid Concrete or Concrete Block



Installing the Wall-Mount Bracket to the Wall

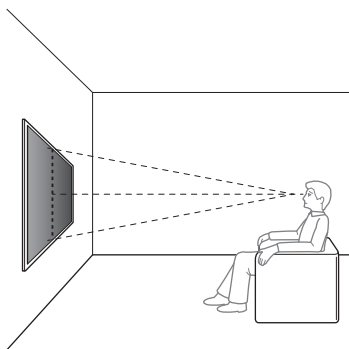
1 Decide on the installation location.

Make sure that the wall has enough space for the TV and is capable of supporting a weight of at least six times that of the TV.

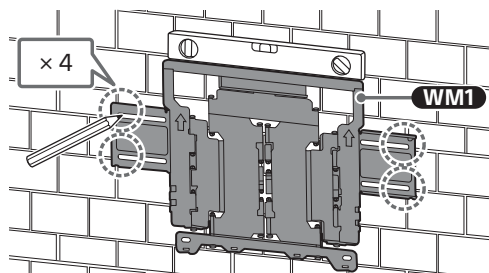
- Refer "Measurement for Wall-Mount Bracket installation on the wall" on page 17.
- Refer to your TV's Reference Guide for the TV's weight.

Note

- When your TV is installed on the wall, the upper side of the TV slightly leans forward.
- We recommend you to check the position of TV in the viewing environment.



2 Align WM1 to the wall and make four marks.

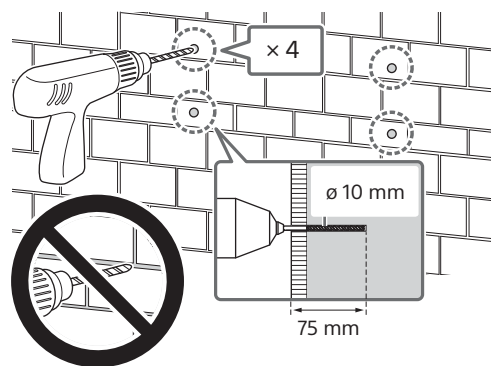


Note

- Use a level to check whether WM1 is level.

3 Drill pilot holes on the marks.

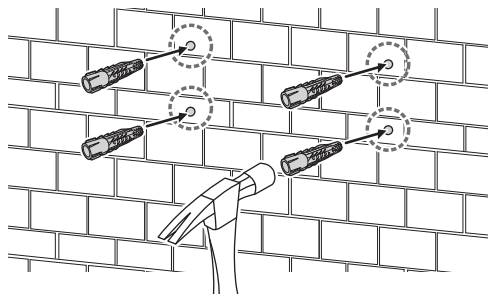
Make sure the location on the wall to drill the holes are strong enough to support a weight of at least six times that of the TV.



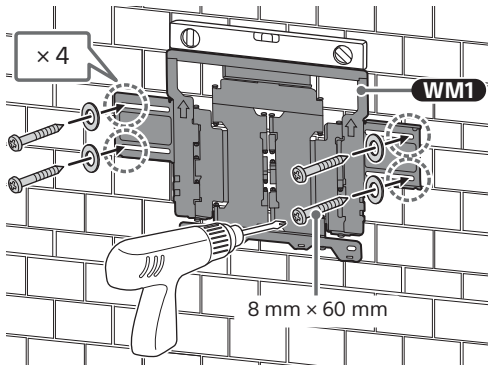
Note

- Pilot holes must be drilled to a depth of 75 mm, using a 10 mm diameter drill bit.

4



- 5 Install **WM1** on the wall using suitable screws (not supplied) and washers (not supplied).



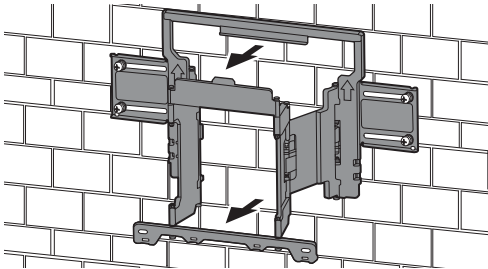
Note

- Use a level to check whether **WM1** is level.

Precaution

- Do not over-tighten wooden screw 8 mm x 60 mm. Improper tightening could reduce the holding power of wooden screw 8 mm x 60 mm.

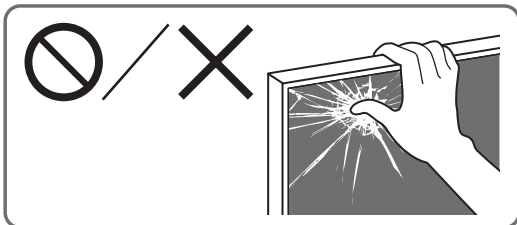
- 6 Pull out the arm of the bracket to the end.



Preparing for the Installation of the TV

Note

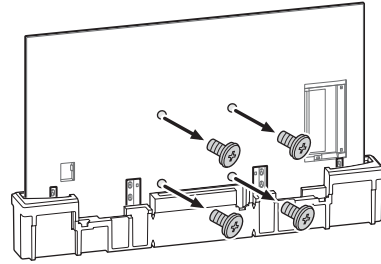
- Be sure to store the removed screws and unused parts in a safe place, keeping them away from children.



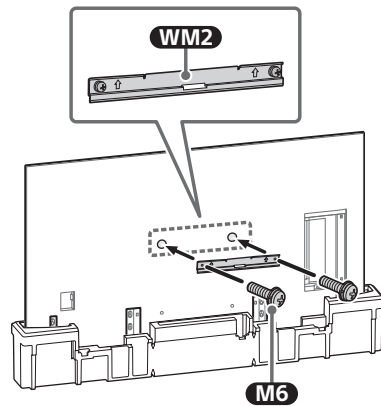
Installing the TV to the Wall from Carton*1

*1 Only for limited region/country/model.

- 1 Remove the screws from the rear of the TV.

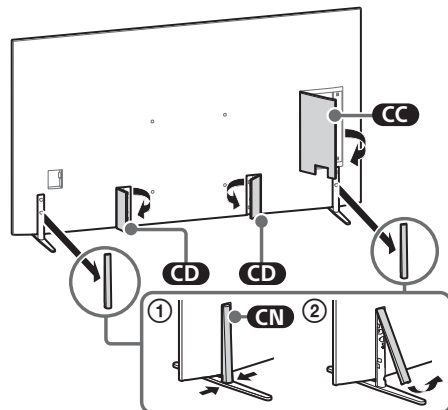


- 2 Attach the **WM2** to the TV using **M6**.

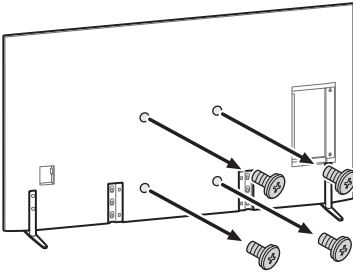


Installing the TV to the Wall from Table-Top Stand

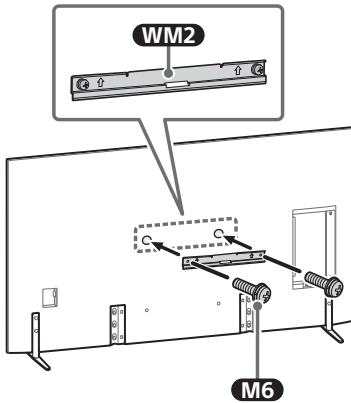
- 1 Remove the stand covers and terminal covers.



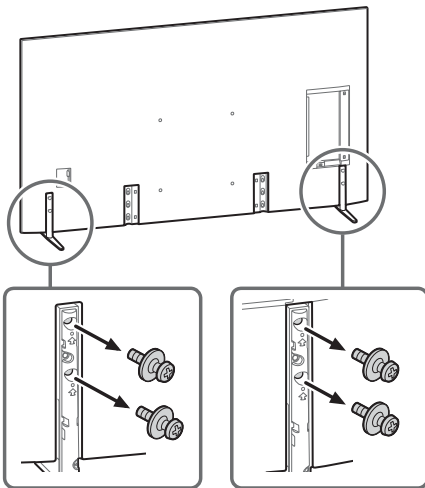
- 2 Remove the screws from the rear of the TV.



- 3 Attach the **WM2** to the TV using **M6**.



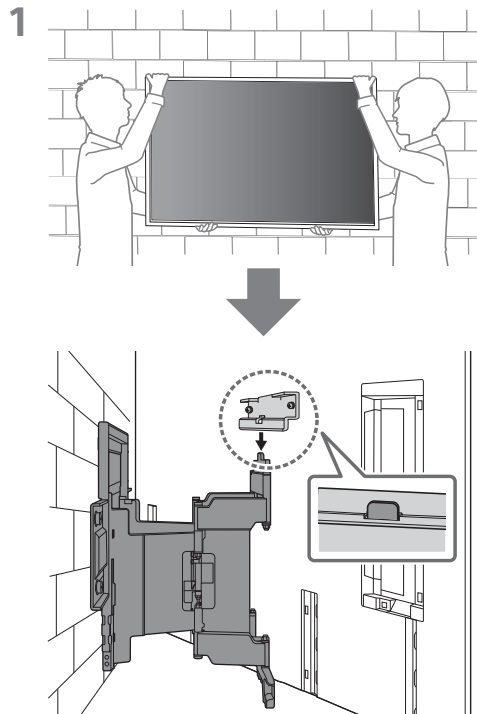
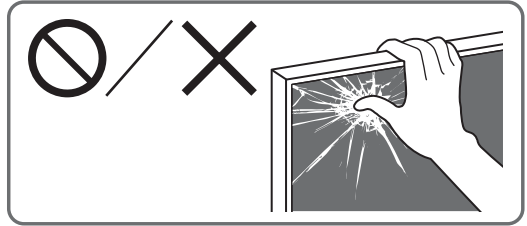
- 4 Detach the Table-Top Stand from the TV.

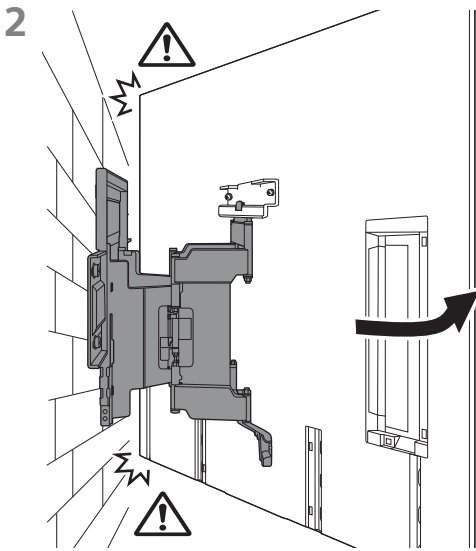


Note

- Be careful when lifting the TV as the Table-Top Stand is detached, the Table-Top Stand may topple over and cause personal injury.
- Take care when removing the Table-Top Stand from the TV to prevent it from falling over and damaging the surface that the TV is sitting on.

Installing the TV on the Wall

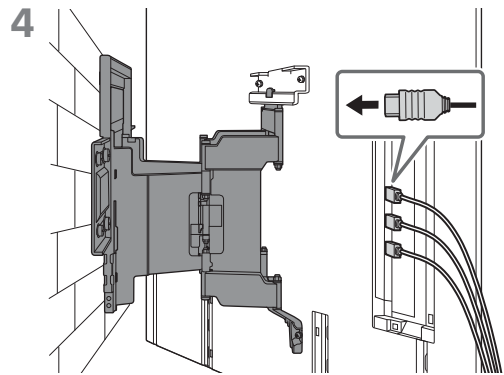
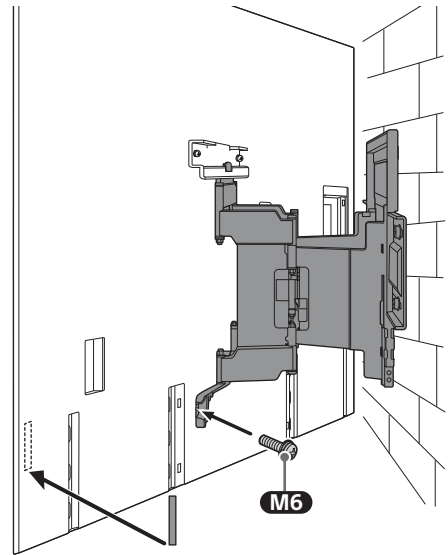
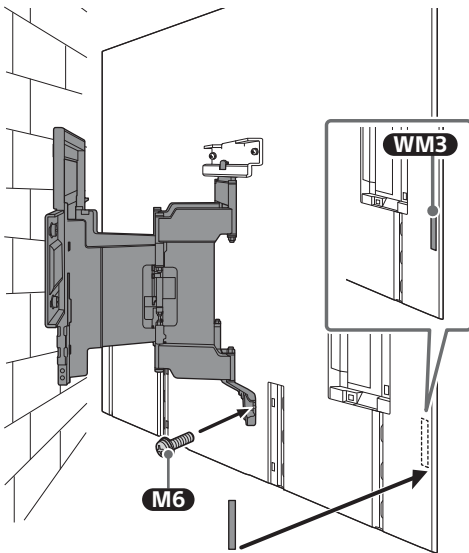




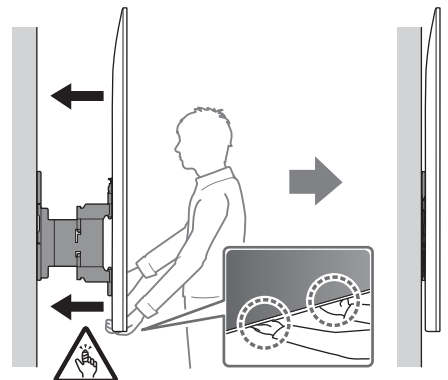
3 Screw the left and right side of the Wall-Mount Bracket using **M6** and attach **WM3**.

Note

- Do not attach **WM3** on the labels.

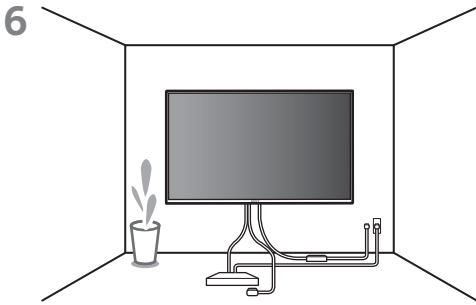


5 When moving the TV, hold it firmly from the bottom.



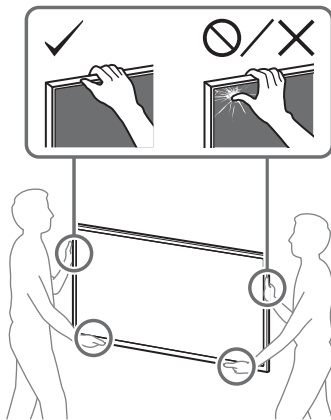
Note

- The TV may not move near close to the wall depending on the type and number of cables attached. This is not a malfunction.



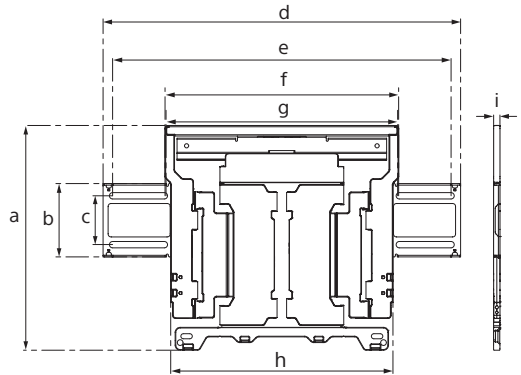
WARNING

- Two or more persons (three or more persons for 189.3 cm (75 inches) and above TV) are needed to transport a large TV set (except Egypt).
Two or more persons (three or more persons for 75 inches (189.3 cm) and above TV) are needed to transport a large TV set (Egypt only).



Specifications

WM1



Dimensions: (Approx.) [mm]

- a : 354
- b : 116
- c : 77
- d : 563
- e : 533
- f : 370
- g : 368
- h : 350
- i : 11

Mass (base only): (Approx.) [kg]
3.0

Design and specifications are subject to change without notice.

Confirming the Completion of the Installation

Check the following points.

- The cord and the cable are not twisted or pinched.

WARNING

- Improper placement of the AC power cord (mains lead), etc. may cause fire or electric shock through a short circuit. Be sure to confirm the completion of the installation for safety.

Other Information

When removing the TV, reverse the previous installation procedure.

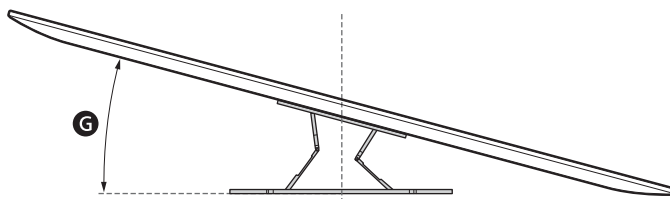
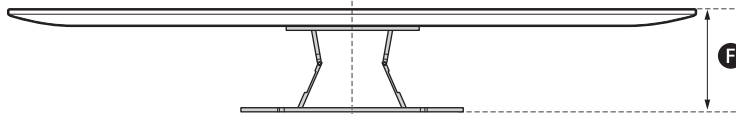
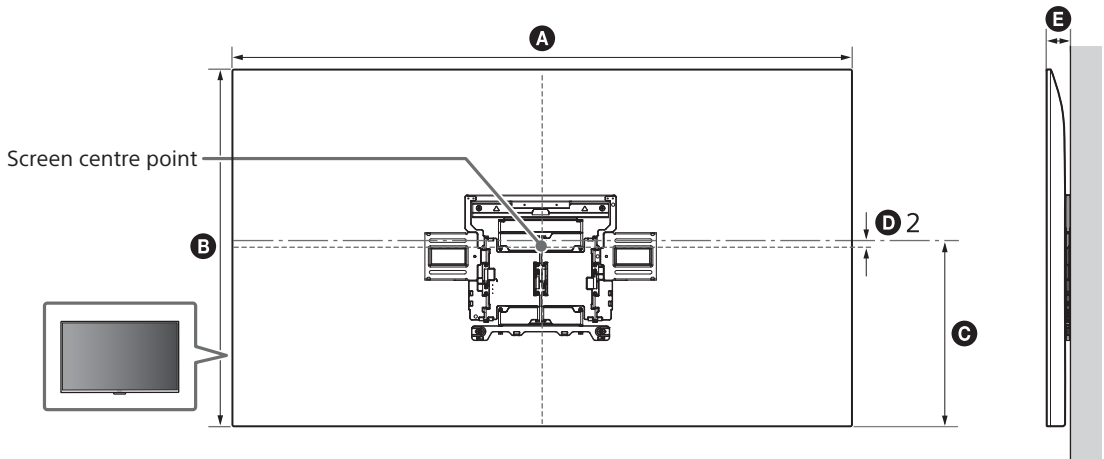
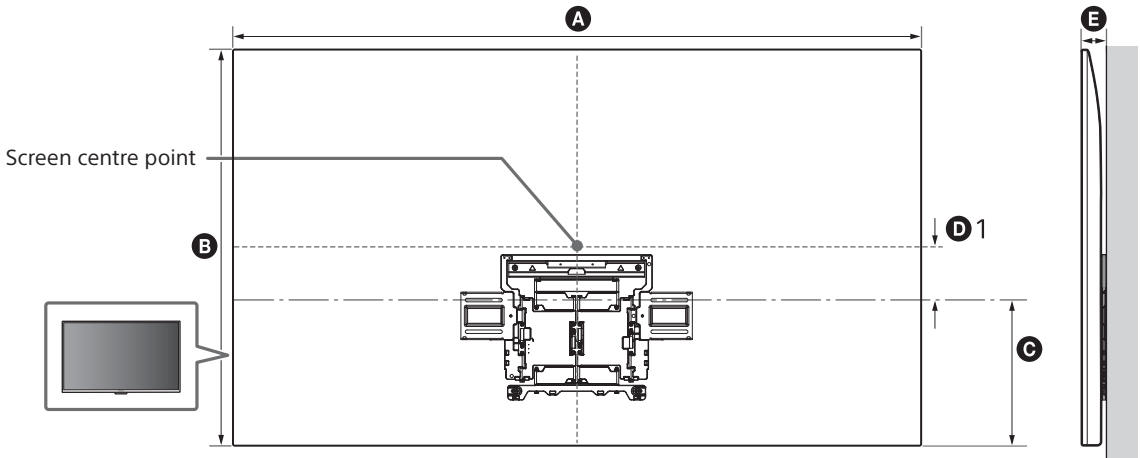
WARNING

- Two or more persons (three or more persons for 189.3 cm (75 inches) and above TV) are needed to transport a large TV set (except Egypt).
Two or more persons (three or more persons for 75 inches (189.3 cm) and above TV) are needed to transport a large TV set (Egypt only).

References

Measurement for Wall-Mount Bracket installation on the wall

Figures in the table may differ slightly depending on the installation.



(mm)

Model Name	A	B	C	D 1	D 2	E	F ^{*1}	G ^{*1} (°)
K-77XR8x	1 713	984	362	139	–	48	251.4	12
K-65XR8x	1 442	829	362	57	–	48	250.8	17
K-55XR8x	1 223	706	362	–	3	48	250.8	19

*1 (Approx.)

Informations d'installation pour l'utilisation du support de fixation murale Sony (SU-WL850)

Modèles pris en charge*1 :

*1 Dans les noms de modèles réels, le « x »/« xx » indique des numéros et/ou des caractères spécifiques à chaque modèle.

K-77XR8x / 65XR8x / 55XR8x

À l'attention des clients

Pour des raisons de protection du produit et de sécurité, Sony recommande vivement que l'installation de votre téléviseur soit effectuée par un revendeur Sony ou un installateur agréé. N'essayez pas de l'installer vous-même.

A l'attention des revendeurs et installateurs Sony

Soyez particulièrement attentif à la sécurité pendant l'installation, l'entretien périodique et l'examen du produit.

Une certaine expérience est requise pour installer ce produit, en particulier pour déterminer la résistance du mur qui devra supporter le poids du téléviseur. Veillez à confier la fixation de ce produit au mur à un revendeur Sony ou un installateur agréé et apportez une attention suffisante à la sécurité pendant l'installation. Sony n'est responsable d'aucun dégât ou blessure provoqué par une erreur de manipulation ou installation incorrecte.

Pour la sécurité et une installation correcte, suivez le Mode d'emploi du Support de fixation murale, le Guide d'installation du téléviseur et les consignes de ce manuel.

Support de fixation murale

Sécurité

Nous vous remercions d'avoir fait l'acquisition de ce produit.

À l'attention des clients

Installation du téléviseur au mur



AVERTISSEMENT

INSTALLATION PAR UN PROFESSIONNEL REQUISE

Ce produit doit être installé exclusivement par un installateur professionnel ayant été formé pour déterminer la résistance du mur qui devra soutenir le poids du téléviseur. S'il est mal fixé lors de son installation, le téléviseur peut tomber et provoquer des blessures graves. Sony ne saurait être tenue responsable de tout dommage ou de toute blessure découlant d'une mauvaise utilisation ou d'une installation incorrecte, ou encore de l'installation d'un produit autre que celui spécifié. Vos droits légaux (éventuels) ne sont pas affectés.

À l'attention des détaillants Sony

L'installation de ce produit exige un certain savoir-faire. Lisez ce mode d'emploi attentivement afin de procéder à l'installation en toute sécurité. Sony ne saurait être tenue responsable de tout dommage ou de toute blessure découlant d'une mauvaise utilisation ou d'une installation incorrecte. Une fois l'installation terminée, veuillez remettre ce manuel d'installation au client.

Ce mode d'emploi indique comment manipuler le produit correctement et contient des précautions essentielles à prendre pour éviter tout accident. Il vous incombe de lire, bien comprendre et suivre toutes les instructions de ce mode d'emploi. Ne pas respecter cette consigne peut entraîner des blessures ou des dommages matériels, et peut invalider la garantie. Conservez ce mode d'emploi pour toute référence ultérieure.

Les produits Sony sont conçus pour vous offrir le maximum de sécurité. Toutefois, si les produits sont utilisés de façon incorrecte, ils peuvent entraîner des blessures graves en provoquant un incendie ou l'électrocution, ou encore la chute de l'appareil hors de son support. Veillez à observer les consignes de sécurité préconisées pour éviter de tels accidents.

ATTENTION

Produits spécifiés

Ce support de fixation murale est conçu pour être utilisé avec les téléviseurs spécifiés. Pour plus d'informations sur les téléviseurs, reportez-vous à leur Guide de référence pour vous assurer que vous pouvez bien utiliser le support de fixation murale.

À l'attention des clients

AVERTISSEMENT

Le non-respect des consignes suivantes peut être fatal ou entraîner des blessures graves en provoquant un incendie, l'électrocution ou la chute de l'appareil.

Veillez à confier l'installation à du personnel agréé en tenant les petits enfants à l'écart pendant l'installation.

Si le support de fixation murale ou le téléviseur n'est pas installé correctement, les accidents suivants peuvent se produire. Veillez à confier l'installation à des installateurs agréés.

- Le téléviseur peut tomber et causer des blessures graves comme des hématomes ou des fractures.
- Si le mur sur lequel le support de fixation murale est fixé est instable, inégal ou non perpendiculaire au sol, l'appareil risque de tomber et de provoquer des blessures ou des dommages matériels. Le mur doit pouvoir supporter un poids d'au moins six fois celui du téléviseur. (Pour connaître le poids du téléviseur, reportez-vous à son Guide de référence.)
- Si l'installation du support de fixation murale n'est pas assez solide, l'appareil risque de tomber et de provoquer des blessures ou des dommages matériels.

Veillez à confier le déplacement ou le démontage du téléviseur à des installateurs agréés.

Si des personnes autres que des installateurs agréés transportent ou démontent le téléviseur, celui-ci peut tomber et provoquer des blessures ou des dommages matériels. La présence de deux personnes ou plus (trois personnes ou plus pour les téléviseurs de 189,3 cm (75 pouces) et plus) est nécessaire pour le transport des téléviseurs de grande taille (sauf l'Égypte). La présence de deux personnes ou plus (trois personnes ou plus pour les téléviseurs de 75 pouces (189,3 cm) et plus) est nécessaire pour le transport des téléviseurs de grande taille (Égypte uniquement).

Ne retirez pas les vis, etc. après l'installation du téléviseur.

Dans ce cas, le téléviseur pourrait tomber et provoquer des blessures ou des dommages matériels.

Ne modifiez pas les pièces du support de fixation murale.

Dans ce cas, le support de fixation murale pourrait tomber et provoquer des blessures ou des dommages matériels.

N'installez aucun appareil autre que ceux spécifiés.

Ce support de fixation murale est conçu pour être utilisé avec les produits spécifiés uniquement. Si vous installez un appareil autre que ceux qui sont spécifiés, il pourrait tomber ou se briser et provoquer des blessures ou des dommages matériels.

N'installez aucune charge autre que le téléviseur sur le support de fixation murale.

Ne secouez pas le téléviseur vers la gauche/droite, le haut/bas.

Dans ce cas, le téléviseur pourrait tomber et provoquer des blessures ou des dommages matériels.

Ne vous appuyez pas sur le téléviseur et ne vous y suspendez pas.

Ne vous appuyez pas sur le téléviseur et ne vous y suspendez pas, car il risque de tomber et de causer des blessures graves.

ATTENTION

Le non-respect des consignes suivantes peut entraîner des blessures ou des dommages matériels.

- Veillez à ne pas vous coincer les doigts lorsque vous manipulez le support de fixation murale ou faites pivoter le téléviseur.
- Lorsque vous faites pivoter le téléviseur, manipulez-le avec précaution et faites attention de ne heurter personne à proximité.
- Veillez à stocker les pièces inutilisées en lieu sûr en vue d'une utilisation ultérieure. Tenez-les hors de portée des enfants.

N'appliquez aucune force excessive sur le produit au cours de l'entretien ou du nettoyage de l'appareil.

N'exercez aucune pression excessive sur le dessus du téléviseur. Dans ce cas, le téléviseur pourrait tomber et provoquer des blessures ou des dommages matériels.

FR

Ne placez pas ce produit près d'appareils médicaux.

Ce produit (y compris les accessoires) comporte un ou des aimants qui peuvent perturber les stimulateurs cardiaques, les valves de dérivation programmables pour le traitement de l'hydrocéphalie ou d'autres appareils médicaux. Ne placez pas ce produit près de personnes utilisant ce type d'appareil médical. Consultez votre médecin avant d'utiliser ce produit si vous utilisez ce type d'appareil médical.

Conservez-le hors de la portée des enfants ou des personnes encadrées.

Ce produit (y compris les accessoires) comporte un ou des aimants. L'ingestion d'aimant(s) peut présenter un grave danger comme un risque d'étouffement ou des lésions intestinales. En cas d'ingestion d'aimant(s), consultez immédiatement un médecin.

Précautions

- Si vous utilisez le téléviseur fixé au support de fixation murale pendant une longue période, le mur situé derrière le téléviseur ou au-dessus de celui-ci peut se décolorer, ou encore le papier peint peut se décoller, selon le matériau du mur.
- Les trous des vis restent apparents si vous démontez le support de fixation murale après son installation.
- N'utilisez pas le support de fixation murale dans un endroit soumis à des vibrations mécaniques.

Installation du support de fixation murale

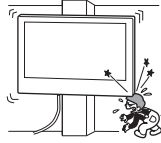
À l'attention des détaillants Sony

AVERTISSEMENT

Les instructions suivantes concernent les détaillants Sony uniquement. Lisez attentivement les consignes de sécurité ci-dessus et accordez une attention particulière à la sécurité lors de l'installation, de l'entretien et de la vérification de ce produit.

N'installez pas le support de fixation murale sur une surface où les coins ou les côtés du téléviseur dépasseraient.

N'installez pas le support de fixation murale sur une surface verticale telle qu'une colonne, où les coins ou les côtés du téléviseur dépasseraient de la surface murale. Si une personne ou un objet venait à heurter le coin ou les côtés du téléviseur, ceci risquerait de provoquer des blessures ou des dommages matériels.

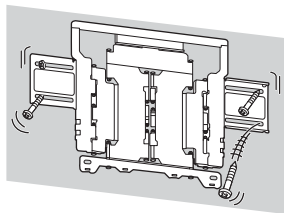


N'installez pas le téléviseur sur ou sous un climatiseur.

L'exposition prolongée du téléviseur à des fuites d'eau ou à des courants d'air provenant du climatiseur pourrait provoquer un incendie, l'électrocution ou des problèmes de fonctionnement du téléviseur.

Veillez à installer le support de fixation murale solidement en suivant les instructions de ce mode d'emploi.

S'il manque des vis ou si elles sont desserrées, le support de fixation murale pourrait tomber et provoquer des blessures ou des dommages matériels. Assurez-vous d'utiliser les vis appropriées au matériau du mur et installez l'unité de façon sécurisée en utilisant quatre vis de 8 mm de diamètre (ou équivalentes).



Veillez à utiliser correctement les vis et les pièces de fixation fournies conformément aux instructions du mode d'emploi. Si vous utilisez d'autres éléments de fixation, le téléviseur pourrait tomber et causer des blessures corporelles, ou le téléviseur pourrait être endommagé.

Veillez à monter le support correctement en suivant la procédure décrite dans ce mode d'emploi.

S'il manque des vis ou si elles sont desserrées, le téléviseur pourrait tomber et causer des blessures corporelles, ou le téléviseur pourrait être endommagé.

Veillez à serrer les vis solidement dans la position indiquée.

Si vous ne le faites pas, le téléviseur pourrait tomber et causer des blessures corporelles, ou le téléviseur pourrait être endommagé.

Veillez à ne pas soumettre le téléviseur à des chocs pendant l'installation.

Si le téléviseur subit des chocs, il pourrait tomber ou se briser. Ceci pourrait causer des blessures.

Veillez à installer le téléviseur sur un mur parfaitement vertical et plat.

Dans le cas contraire, le téléviseur pourrait tomber et provoquer des blessures.

Une fois le téléviseur installé correctement, fixez solidement les câbles.

Si des personnes ou des objets s'accrochent aux câbles, ceci risque de provoquer des blessures ou d'endommager le téléviseur.

Veillez à ce que le cordon d'alimentation CA ou le câble de raccordement ne soit pas coincé ni écrasé.

Si le cordon d'alimentation CA ou le câble de raccordement est coincé entre l'appareil et le mur, ou s'il est plié ou tordu, les conducteurs internes peuvent être exposés et provoquer un court-circuit ou une coupure électrique. Un incendie ou l'électrocution pourrait en résulter.



Les vis nécessaires à l'installation du support de fixation murale au mur ne sont pas fournies.

Utilisez les vis appropriées selon le matériau et la structure du mur lors du montage du support de fixation murale.

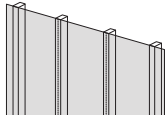
Avant de commencer

- Les illustrations du téléviseur montrées dans ce mode d'emploi sont des exemples utilisés pour fournir des explications claires sur les opérations. Pour cette raison, les illustrations peuvent sembler différentes de votre téléviseur réel.

De quoi est faite votre cloison ?

Vérifiez d'abord le type de cloison où vous allez installer le téléviseur.

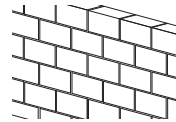
Cloison sèche avec montants



Précautions

- Épaisseur maximale du mur sec : 16 mm.
- Assurez-vous que la taille du montant en bois intérieur est d'au moins 51 mm × 102 mm pour commun ou 38 mm × 89 mm pour nominal.
- Gardez un espace minimal de 406 mm entre les attaches.

Béton plein ou bloc de béton



Précautions

- Montez le support de fixation murale directement dans le mur en béton plein.
- Assurez-vous que l'épaisseur du mur en béton plein est d'au moins 203 mm.
- Assurez-vous que la taille de chaque bloc de béton est au moins de 203 mm × 203 mm × 406 mm.

FR

Vérification des pièces



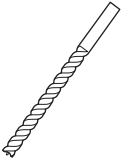
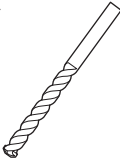
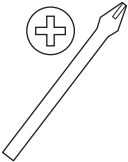
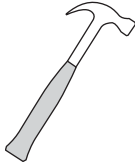
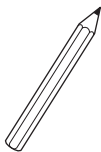

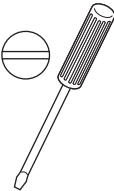




Fournies avec le SU-WL850

- Vérifiez que vous disposez de toutes les pièces.

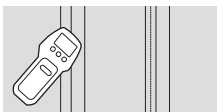
WM1 (x1) 	WM2 (x1) 	WM3 (x4)
M6 (x4) 	WT1 (x6) 	

Préparation de l'installation

- Gardez le Guide de référence du téléviseur et le Guide d'installation à portée de main avant l'installation.
- Vérifiez la position d'installation de votre téléviseur.
- Préparez quatre vis de 8 mm de diamètre et quatre rondelles appropriées (non fournies). Choisissez des vis adaptées au matériau et au mur.
- Préparez les outils suivants :

*1 		 5,5 mm	 10 mm	
*2 		 1,5 N·m {15 kgf·cm}	*3  1,5 N·m {15 kgf·cm}	
	*2  (x4)	*4  (x4) 8 mm × 60 mm	*4  (x4)	

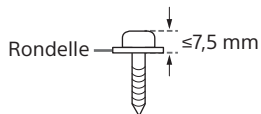
*1 Uniquement pour une cloison sèche avec montants



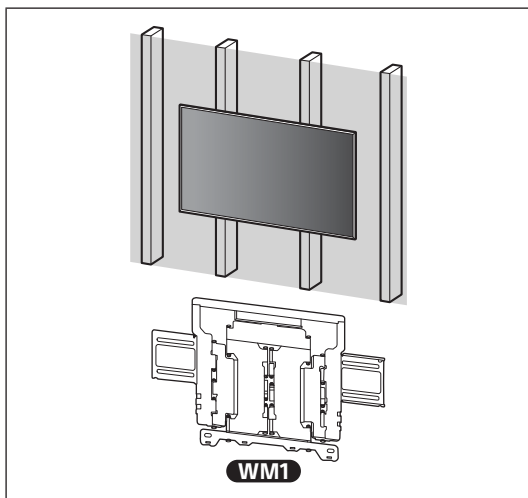
*2 Uniquement pour du béton plein ou un bloc de béton

*3 Selon les modèles

*4 Attention au choix des vis et des rondelles



A Fixation du support de fixation murale sur une cloison sèche avec montants



Installation du support de fixation murale au mur

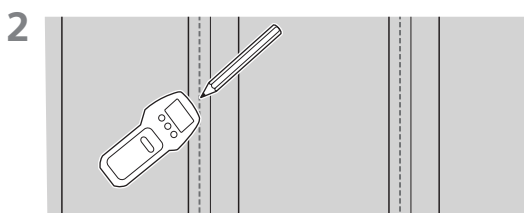
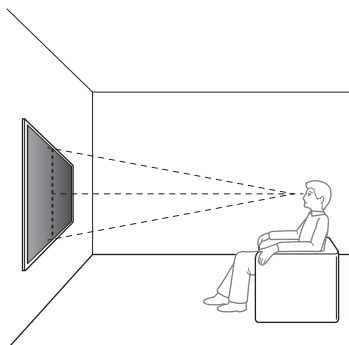
1 Choisissez l'emplacement d'installation.

Assurez-vous que le mur dispose d'un espace suffisant pour le téléviseur et qu'il peut supporter un poids équivalent à au moins six fois celui du téléviseur.

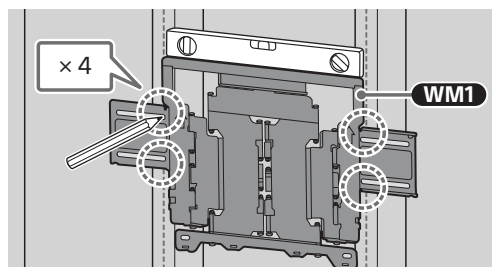
- Reportez-vous à « Mesures pour l'installation d'un support de fixation murale sur le mur » à la page 18.
- Pour connaître le poids du téléviseur, reportez-vous au Guide de référence du téléviseur.

Remarque

- Lorsque votre téléviseur est installé au mur, la partie supérieure du téléviseur penche légèrement vers l'avant.
- Nous vous recommandons de vérifier la position du téléviseur dans l'environnement visuel.



3 Alignez le WM1 à la cloison et faites quatre repères alignés aux montants.

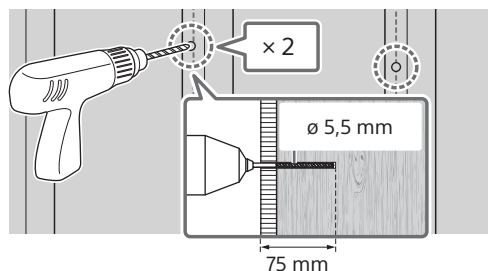


Remarque

- Utilisez un niveau pour vérifier si WM1 est de niveau.

4 Percez des trous de guidage supérieurs sur les repères.

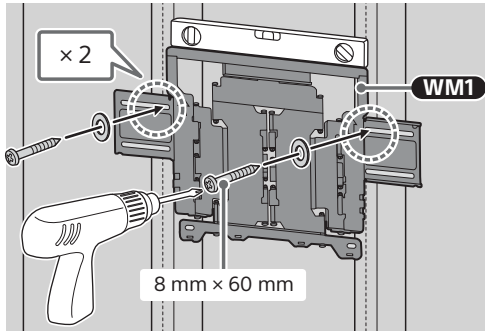
Assurez-vous que l'emplacement sur le mur où vous souhaitez percer les trous est suffisamment solide pour supporter un poids équivalent à au moins six fois celui du téléviseur.



Remarque

- Les trous de guidage doivent être percés à une profondeur de 75 mm, à l'aide d'une mèche de 5,5 mm.

- 5 Installez le **WM1** sur la cloison à l'aide des vis (non fournies) et des rondelles adaptées (non fournies).



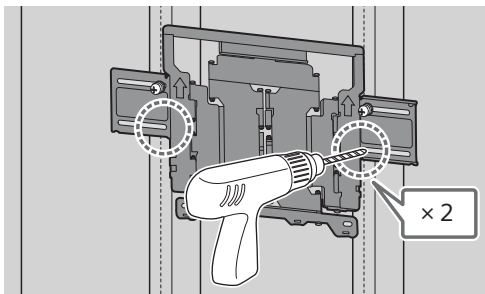
Remarque

- Utilisez un niveau pour vérifier si **WM1** est de niveau.

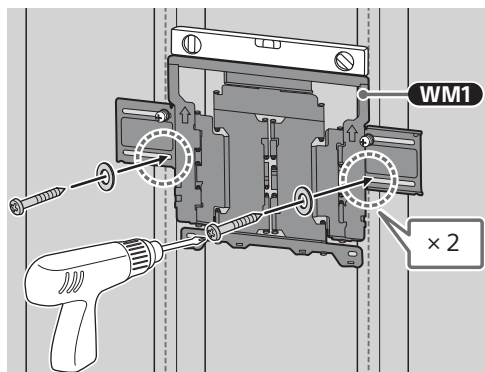
Précautions

- Ne serrez pas trop la vis à bois 8 mm x 60 mm. Un serrage inapproprié peut réduire le pouvoir de maintien de la vis à bois 8 mm x 60 mm.

- 6 Percez des trous de guidage inférieurs sur les repères. (Pour connaître les instructions de perçage, reportez-vous à l'étape 4.)



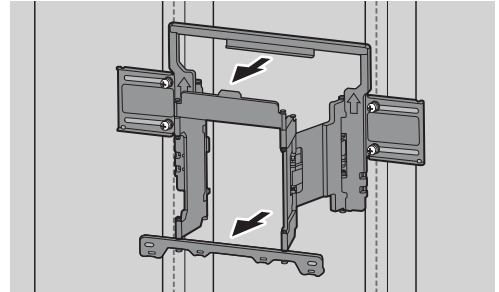
- 7 Montez les vis et les rondelles adaptées dans les trous.



Remarque

- Utilisez un niveau pour vérifier si **WM1** est de niveau.

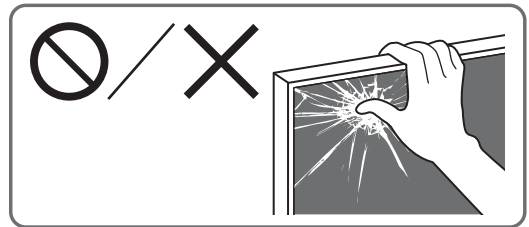
- 8 Retirez le bras du support jusqu'au bout.



Préparation à l'installation du téléviseur

Remarque

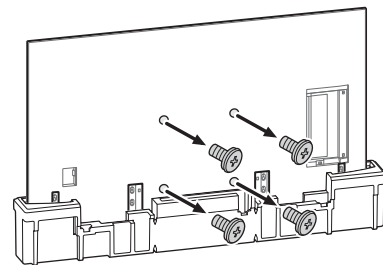
- Les vis que vous retirez et les pièces inutilisées doivent être rangées en lieu sûr, hors de portée des enfants.



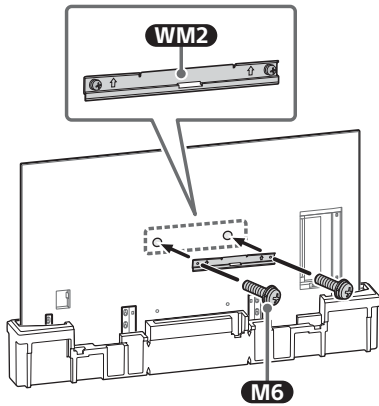
Installation du téléviseur au mur à partir du carton*1

- *1 Uniquement pour certaines régions, certains pays ou certains modèles.

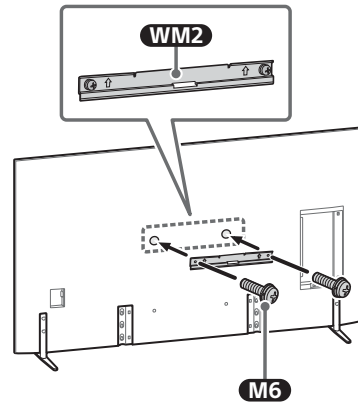
- 1 Retirez les vis à l'arrière du téléviseur.



2 Fixez le **WM2** au téléviseur à l'aide du **M6**.

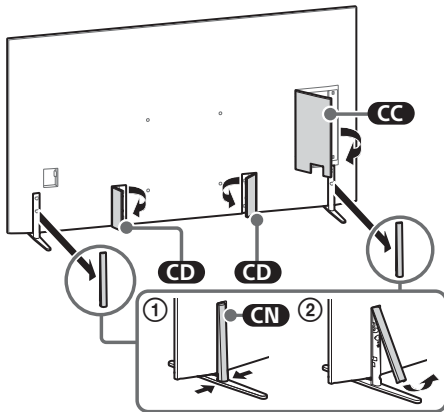


3 Fixez le **WM2** au téléviseur à l'aide du **M6**.

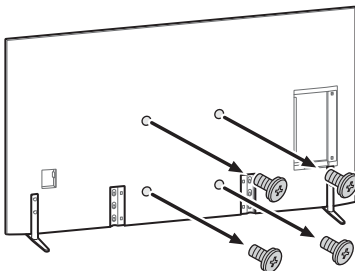


Installation du téléviseur au mur à partir du support de table

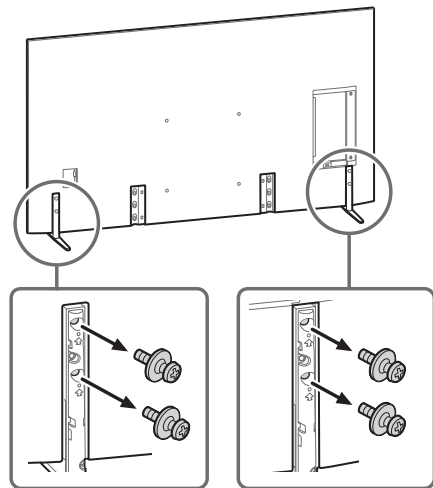
1 Retirez les couvercles du support et les couvercles de bornes.



2 Retirez les vis à l'arrière du téléviseur.



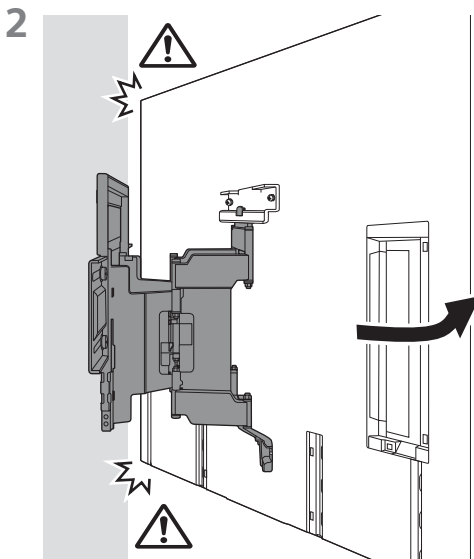
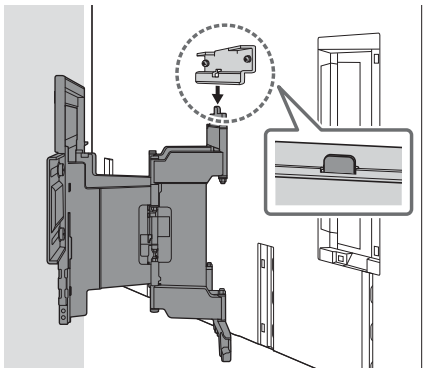
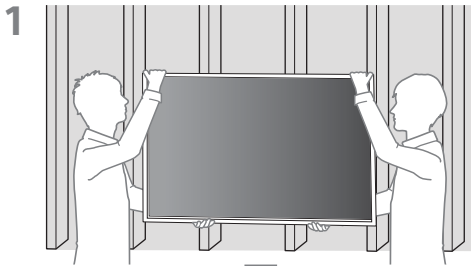
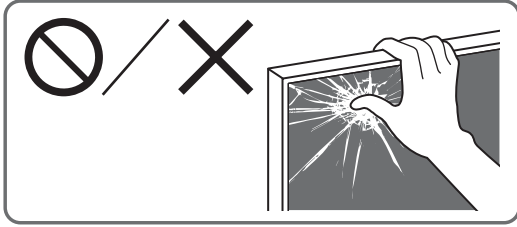
4 Détachez le support de table du téléviseur.



Remarque

- Faites preuve de prudence lorsque vous soulevez le téléviseur alors que le support de table est détaché, car le support de table pourrait se renverser et provoquer des blessures.
- Faites attention lorsque vous retirez le support de table du téléviseur afin d'éviter qu'il ne tombe et endommage la surface sur laquelle repose le téléviseur.

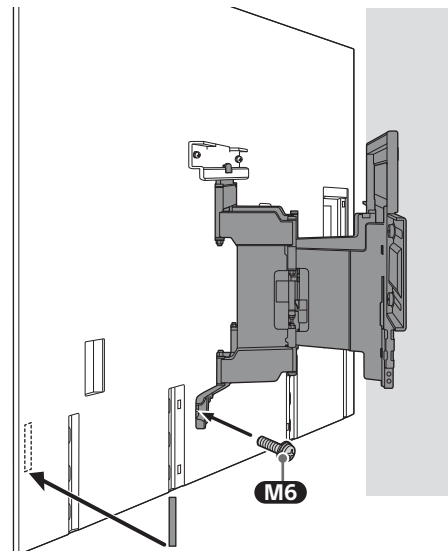
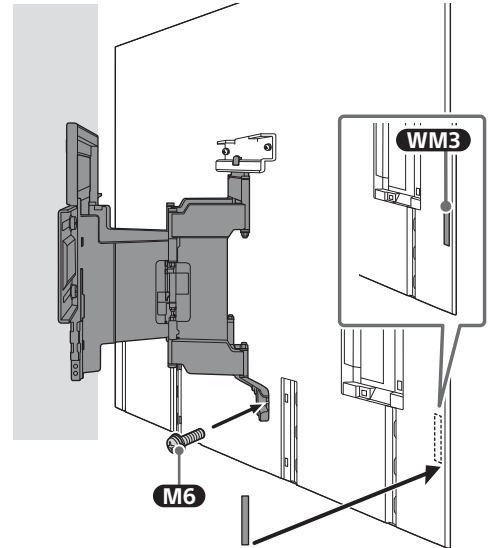
Installation du téléviseur au mur

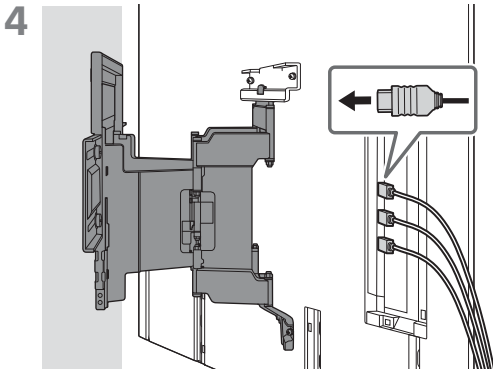


- 3 Vissez les côtés gauche et droit du support de fixation murale à l'aide de **M6** et fixez **WM3**.

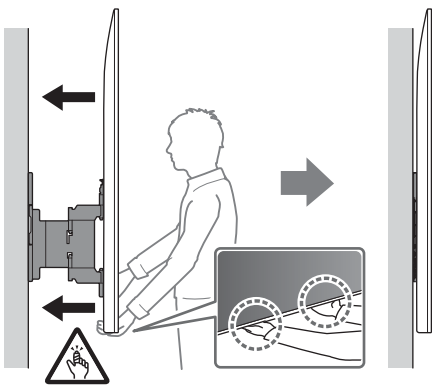
Remarque

- Ne collez pas **WM3** sur les étiquettes.



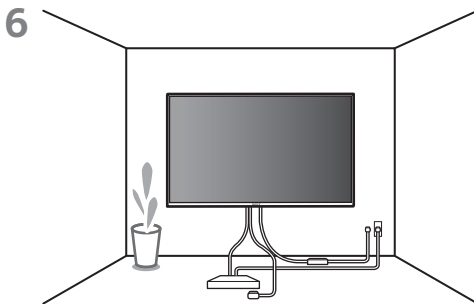


5 Pour déplacer le téléviseur, saisissez-le fermement par sa base.



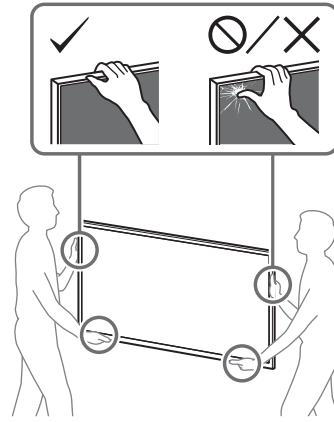
Remarque

- Le téléviseur peut ne pas être rapproché du mur selon le type et le nombre de câbles qui y sont fixés. Ce n'est pas un mauvais fonctionnement.



AVERTISSEMENT

- La présence de deux personnes ou plus (trois personnes ou plus pour les téléviseurs de 189,3 cm (75 pouces) et plus) est nécessaire pour le transport des téléviseurs de grande taille (sauf l'Égypte). La présence de deux personnes ou plus (trois personnes ou plus pour les téléviseurs de 75 pouces (189,3 cm) et plus) est nécessaire pour le transport des téléviseurs de grande taille (Égypte uniquement).



Vérification de l'achèvement de l'installation

Vérifiez les points suivants.

- Le cordon et le câble ne sont pas tordus ou coincés.

AVERTISSEMENT

- Si le cordon d'alimentation CA ou autre n'est pas correctement installé, un court-circuit pourrait survenir et provoquer un incendie ou l'électrocution. Pour votre sécurité, vérifiez que l'installation est effectuée complètement.

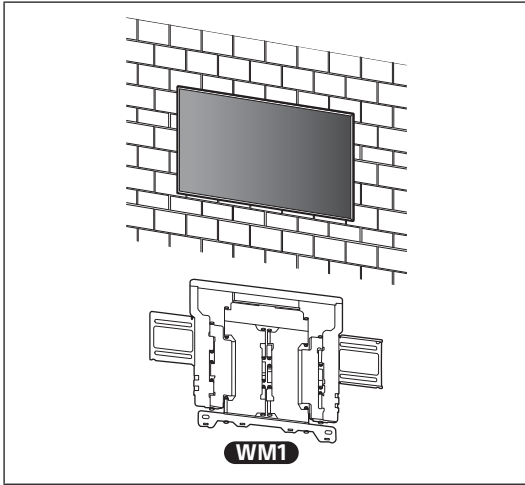
Informations complémentaires

Lors du retrait du téléviseur, inversez la procédure d'installation décrite précédemment.

AVERTISSEMENT

- La présence de deux personnes ou plus (trois personnes ou plus pour les téléviseurs de 189,3 cm (75 pouces) et plus) est nécessaire pour le transport des téléviseurs de grande taille (sauf l'Égypte). La présence de deux personnes ou plus (trois personnes ou plus pour les téléviseurs de 75 pouces (189,3 cm) et plus) est nécessaire pour le transport des téléviseurs de grande taille (Égypte uniquement).

B Fixation du support de fixation murale à du béton plein ou à un bloc de béton



Installation du support de fixation murale au mur

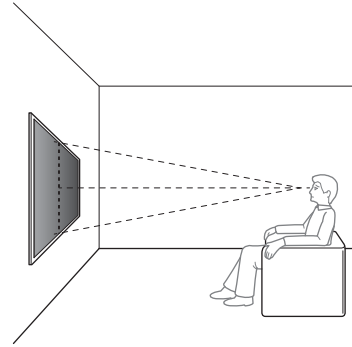
1 Choisissez l'emplacement d'installation.

Assurez-vous que le mur dispose d'un espace suffisant pour le téléviseur et qu'il peut supporter un poids équivalent à au moins six fois celui du téléviseur.

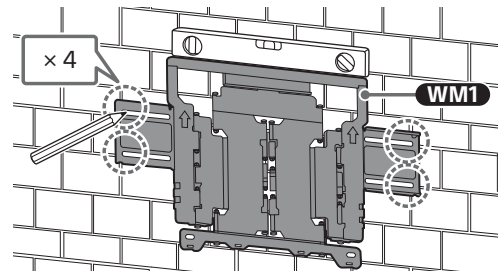
- Reportez-vous à « Mesures pour l'installation d'un support de fixation murale sur le mur » à la page 18.
- Pour connaître le poids du téléviseur, reportez-vous au Guide de référence du téléviseur.

Remarque

- Lorsque votre téléviseur est installé au mur, la partie supérieure du téléviseur penche légèrement vers l'avant.
- Nous vous recommandons de vérifier la position du téléviseur dans l'environnement visuel.



2 Alignez le WM1 à la cloison et faites quatre repères.

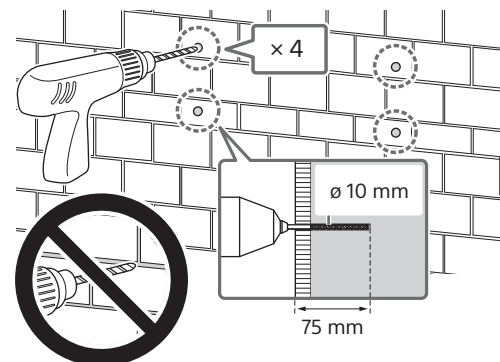


Remarque

- Utilisez un niveau pour vérifier si WM1 est de niveau.

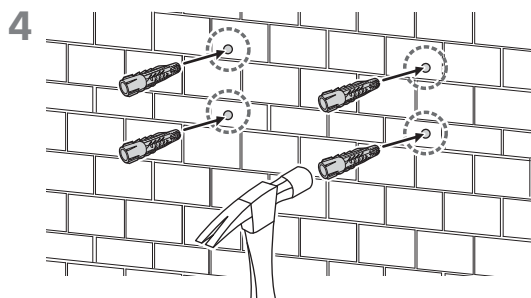
3 Percez des trous de guidage sur les repères.

Assurez-vous que l'emplacement sur le mur où vous souhaitez percer les trous est suffisamment solide pour supporter un poids équivalent à au moins six fois celui du téléviseur.

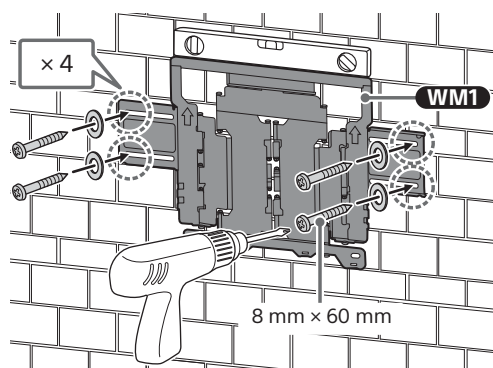


Remarque

- Les trous de guidage doivent être percés à une profondeur de 75 mm, à l'aide d'une mèche de 10 mm.



- 5 Installez le **WM1** sur la cloison à l'aide des vis (non fournies) et des rondelles adaptées (non fournies).



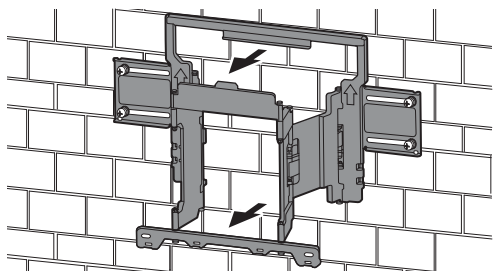
Remarque

- Utilisez un niveau pour vérifier si **WM1** est de niveau.

Précautions

- Ne serrez pas trop la vis à bois 8 mm x 60 mm. Un serrage inapproprié peut réduire le pouvoir de maintien de la vis à bois 8 mm x 60 mm.

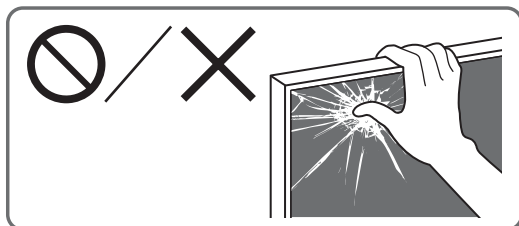
- 6 Retirez le bras du support jusqu'au bout.



Préparation à l'installation du téléviseur

Remarque

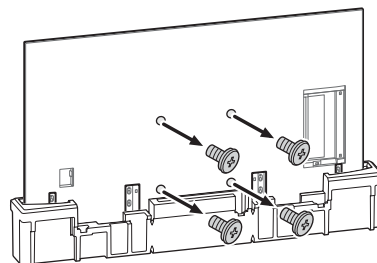
- Les vis que vous retirez et les pièces inutilisées doivent être rangées en lieu sûr, hors de portée des enfants.



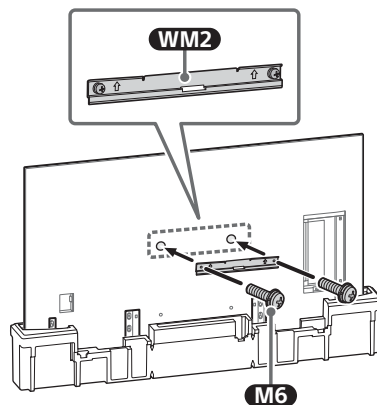
Installation du téléviseur au mur à partir du carton*1

- *1 Uniquement pour certaines régions, certains pays ou certains modèles.

- 1 Retirez les vis à l'arrière du téléviseur.

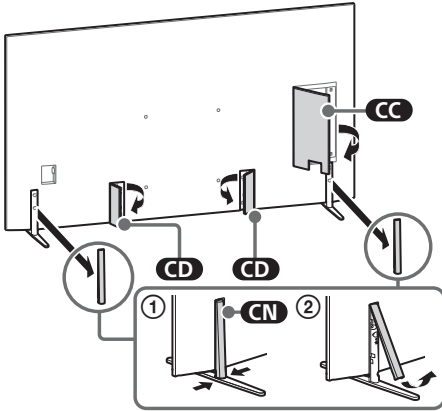


- 2 Fixez le **WM2** au téléviseur à l'aide du **M6**.

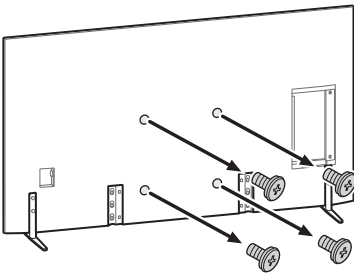


Installation du téléviseur au mur à partir du support de table

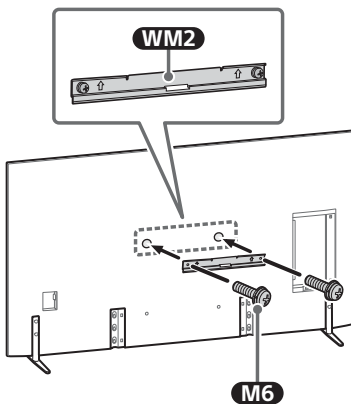
- 1 Retirez les couvercles du support et les couvercles de bornes.



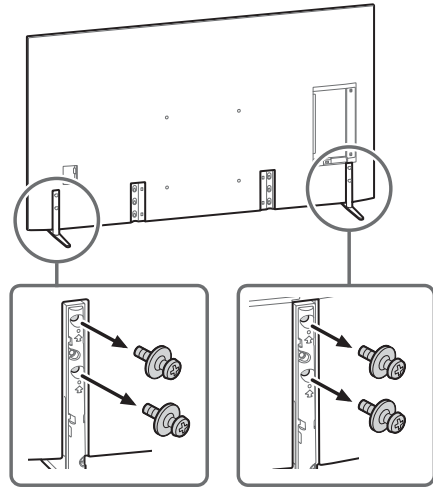
- 2 Retirez les vis à l'arrière du téléviseur.



- 3 Fixez le WM2 au téléviseur à l'aide du M6.



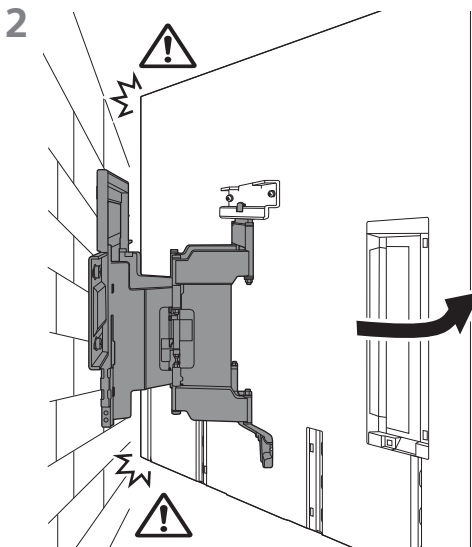
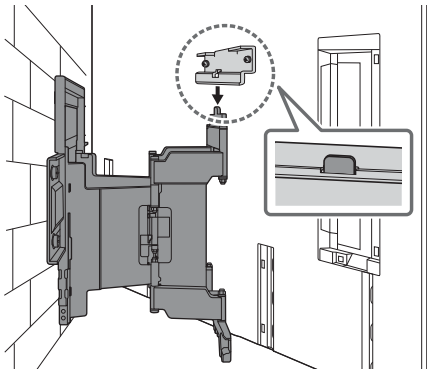
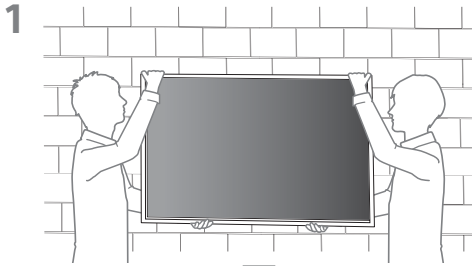
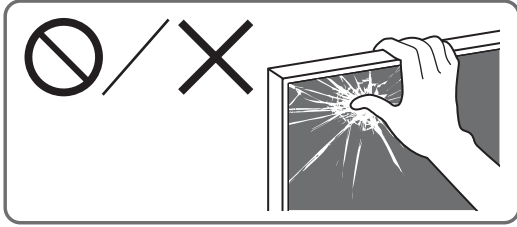
- 4 Détachez le support de table du téléviseur.



Remarque

- Faites preuve de prudence lorsque vous soulevez le téléviseur alors que le support de table est détaché, car le support de table pourrait se renverser et provoquer des blessures.
- Faites attention lorsque vous retirez le support de table du téléviseur afin d'éviter qu'il ne tombe et endommage la surface sur laquelle repose le téléviseur.

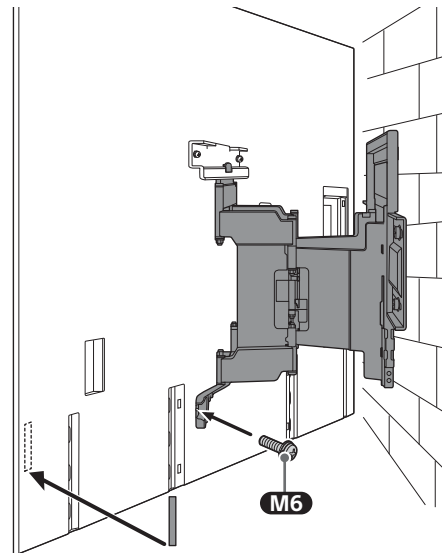
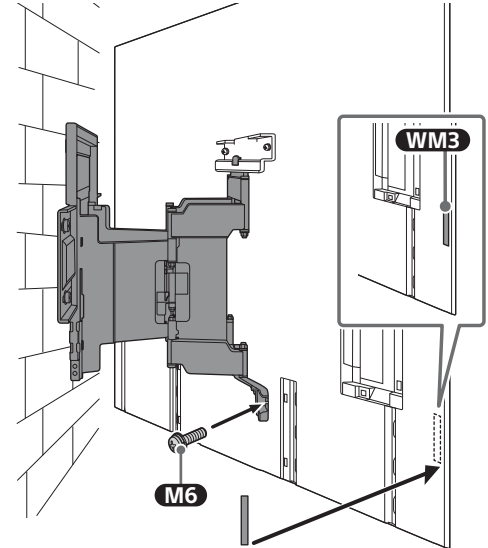
Installation du téléviseur au mur

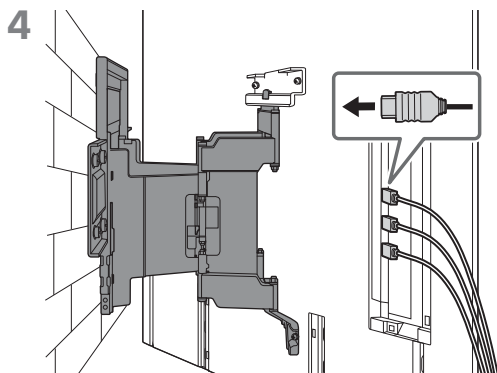


3 Vissez les côtés gauche et droit du support de fixation murale à l'aide de **M6** et fixez **WM3**.

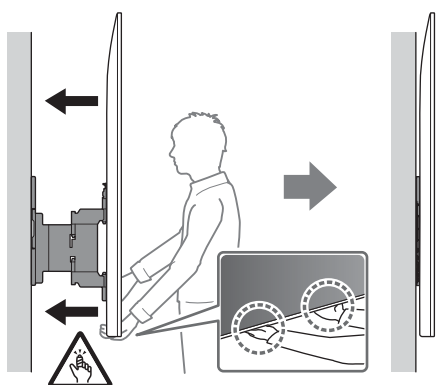
Remarque

- Ne collez pas **WM3** sur les étiquettes.



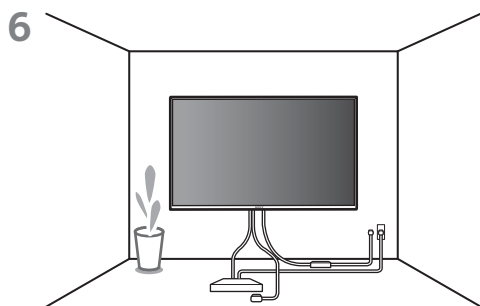


5 Pour déplacer le téléviseur, saisissez-le fermement par sa base.



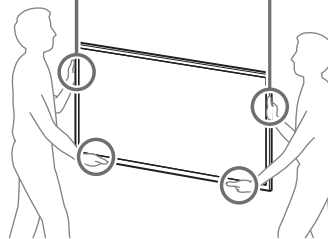
Remarque

- Le téléviseur peut ne pas être rapproché du mur selon le type et le nombre de câbles qui y sont fixés. Ce n'est pas un mauvais fonctionnement.



AVERTISSEMENT

- La présence de deux personnes ou plus (trois personnes ou plus pour les téléviseurs de 189,3 cm (75 pouces) et plus) est nécessaire pour le transport des téléviseurs de grande taille (sauf l'Égypte). La présence de deux personnes ou plus (trois personnes ou plus pour les téléviseurs de 75 pouces (189,3 cm) et plus) est nécessaire pour le transport des téléviseurs de grande taille (Égypte uniquement).



Vérification de l'achèvement de l'installation

Vérifiez les points suivants.

- Le cordon et le câble ne sont pas tordus ou coincés.

AVERTISSEMENT

- Si le cordon d'alimentation CA ou autre n'est pas correctement installé, un court-circuit pourrait survenir et provoquer un incendie ou l'électrocution. Pour votre sécurité, vérifiez que l'installation est effectuée complètement.

Informations complémentaires

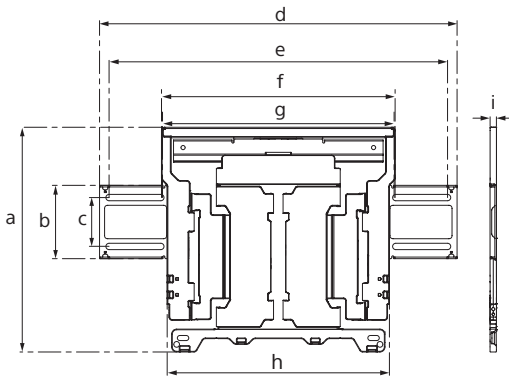
Lors du retrait du téléviseur, inversez la procédure d'installation décrite précédemment.

AVERTISSEMENT

- La présence de deux personnes ou plus (trois personnes ou plus pour les téléviseurs de 189,3 cm (75 pouces) et plus) est nécessaire pour le transport des téléviseurs de grande taille (sauf l'Égypte). La présence de deux personnes ou plus (trois personnes ou plus pour les téléviseurs de 75 pouces (189,3 cm) et plus) est nécessaire pour le transport des téléviseurs de grande taille (Égypte uniquement).

Spécifications

WM1



Dimensions : (Environ) [mm]

a : 354

b : 116

c : 77

d : 563

e : 533

f : 370

g : 368

h : 350

i : 11

Poids (base seule) : (Environ) [kg]

3,0

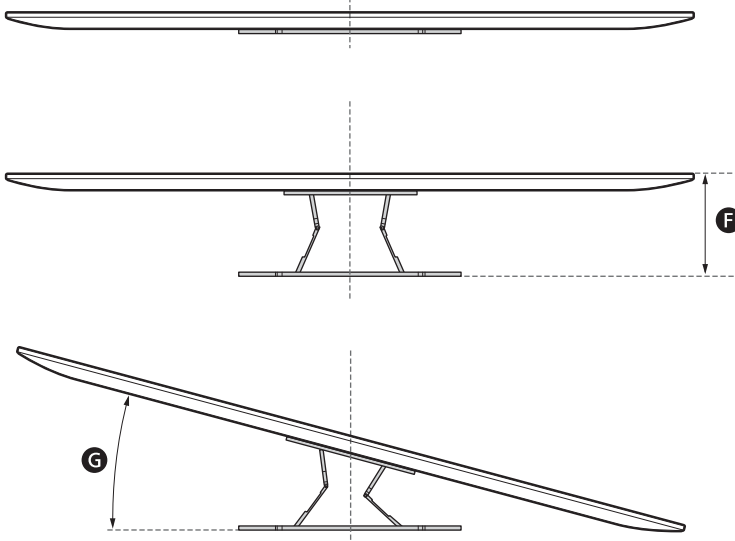
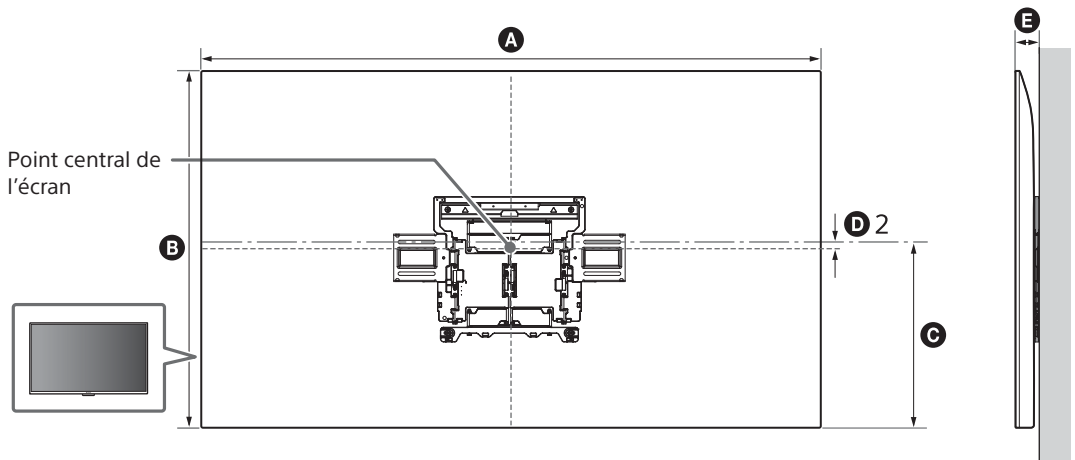
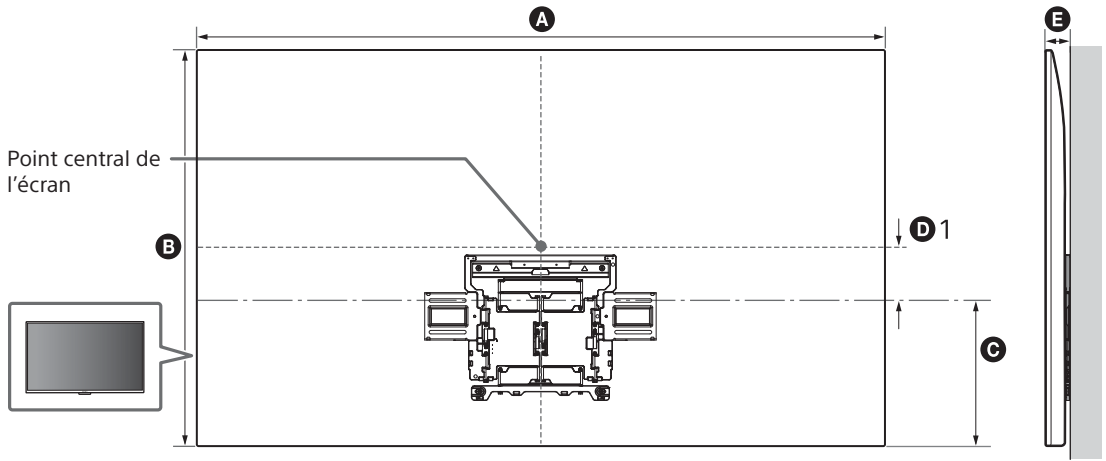
La conception et les spécifications sont sujettes à modification sans préavis.

FR

Références

Mesures pour l'installation d'un support de fixation murale sur le mur

Les valeurs indiquées dans le tableau peuvent être légèrement différentes selon l'installation.



(mm)

Nom du modèle	A	B	C	D 1	D 2	E	F ^{*1}	G ^{*1} (°)
K-77XR8x	1 713	984	362	139	-	48	251,4	12
K-65XR8x	1 442	829	362	57	-	48	250,8	17
K-55XR8x	1 223	706	362	-	3	48	250,8	19

*1 (Environ)

Información de instalación para usar el Soporte de pared de Sony (SU-WL850)

Modelos compatibles*1:

*1 En los nombres de modelo reales, "x"/"xx" indica los números y/o los caracteres específicos de cada modelo.

K-77XR8x / 65XR8x / 55XR8x

Información para los clientes

Por motivos de seguridad y protección del producto, Sony recomienda encarecidamente que la instalación del televisor la realice un distribuidor de Sony o un contratista autorizado. No intente realizar la instalación por su cuenta.

Información para los distribuidores y contratistas de Sony

Preste especial atención a la seguridad durante los procesos de instalación, mantenimiento periódico y revisión de este producto.

La instalación de este producto requiere disponer de suficiente experiencia, especialmente para determinar la solidez de la pared para soportar el peso del televisor. Asegúrese de confiar la instalación de este producto en la pared únicamente a distribuidores de Sony o contratistas autorizados, y preste especial atención a la seguridad durante el proceso de instalación. Sony queda exento de cualquier responsabilidad por daños o lesiones ocasionados por una manipulación incorrecta o una instalación inadecuada.

Por su seguridad y para una instalación correcta, siga las Instrucciones de manejo del soporte de pared, la Guía de configuración del televisor y las indicaciones de este manual.

Soporte de pared

Seguridad

Muchas gracias por la adquisición de este producto.

Información para los clientes

Instalación del televisor en una pared



ADVERTENCIA

INSTALACIÓN PROFESIONAL OBLIGATORIA

La instalación de este producto debe dejarse siempre en manos de un instalador profesional con la formación necesaria para determinar si la pared tiene la resistencia suficiente para soportar el peso del televisor. En caso de fijación incorrecta durante la instalación, el televisor puede caerse y provocar lesiones graves. Sony no asumirá responsabilidad alguna por las lesiones o daños causados por una manipulación o instalación incorrectas, o por la instalación de un producto distinto del especificado. Esto no afecta a sus derechos legales (en caso de haberlos).

Información para los distribuidores de Sony

Para la instalación de este producto se requieren conocimientos suficientes. Lea detenidamente este manual de instrucciones para realizar la instalación de manera segura. Sony no se responsabiliza de ningún daño o lesión provocados por una manipulación o instalación incorrectas. Entregue este manual al cliente después de la instalación.

Este manual de instrucciones muestra la manera correcta de manipular el producto, así como precauciones importantes necesarias para evitar accidentes. Es su responsabilidad leer, entender y seguir todas las instrucciones de este manual de instrucciones. Si no las sigue, pueden producirse lesiones físicas graves o daños materiales y también puede quedar sin efecto la garantía. Conserve este manual para poder consultarlo en el futuro.

Los productos de Sony están diseñados pensando en la seguridad. Sin embargo, si los productos se utilizan incorrectamente, pueden producirse lesiones graves a causa de un incendio o una descarga, o al volcarse o caerse el producto. Para evitar tales accidentes, asegúrese de observar las precauciones de seguridad.

PRECAUCIÓN

Productos especificados

El soporte de pared está diseñado para utilizar con los TV especificados en el producto. Consulte la Guía de referencia del televisor para comprobar si se puede utilizar el soporte de pared.

Información para los clientes

ADVERTENCIA

Si no se tienen en cuenta las siguientes precauciones, existe el peligro de sufrir lesiones graves o incluso de muerte a raíz de un incendio o una descarga eléctrica, o a causa de que el producto se caiga.

Asegúrese de contratar la instalación a contratistas autorizados y mantenga a los niños alejados durante la instalación.

Si el soporte de pared o el televisor no están instalados correctamente, pueden ocurrir los accidentes siguientes. Asegúrese de que la instalación la llevan a cabo contratistas autorizados.

- El televisor podría caerse y provocar lesiones graves como contusiones o fracturas.
- Si la pared en la que se instala el soporte de pared es inestable, desigual o no es perpendicular al suelo, la unidad puede caerse y provocar daños personales o materiales. La pared debe ser capaz de soportar un peso seis veces superior al del televisor como mínimo. (Consulte la Guía de referencia del televisor para conocer el peso del televisor).
- Si la instalación del soporte de pared en la pared no es lo suficientemente resistente, es posible que la unidad se caiga y provoque daños personales o materiales.

Asegúrese de contratar el traslado o el desmontaje del televisor a contratistas autorizados.

Si otras personas que no son contratistas autorizados llevan a cabo el transporte o el desmontaje del televisor, ésta puede caerse y provocar daños personales y materiales. Se necesitan dos o más personas (tres o más personas para un televisor de 189,3 cm (75 pulgadas) o más grande) para transportar un televisor grande (excepto Egipto). Se necesitan dos o más personas (tres o más personas para un televisor de 75 pulgadas (189,3 cm) o más grande) para transportar un televisor grande (solamente Egipto).

No quite los tornillos, etc., una vez montado el televisor.

Si lo hace, el televisor puede caerse y provocar daños personales o materiales.

No modifique las piezas del soporte de pared.

Si lo hace, el soporte de pared puede caerse y provocar daños personales o materiales.

No monte ningún otro equipo que no sea el producto especificado.

Este soporte de pared se ha diseñado para utilizarse solo con el producto especificado. Si monta un equipo distinto del especificado, puede caerse o romperse y provocar daños personales o materiales.

No aplique ningún peso que no sea el propio del televisor en el soporte de pared.

No sacuda el televisor hacia la izquierda, la derecha, arriba o abajo.

Si lo hace, el televisor puede caerse y provocar daños personales o materiales.

No se apoye en el televisor ni se cuelgue de éste.

No se apoye en el televisor ni se cuelgue de éste, ya que podría caerle encima y provocarle lesiones graves.

PRECAUCIÓN

Si no se tienen en cuenta las precauciones siguientes, podrían producirse daños personales o materiales.

- Tenga cuidado para evitar pillarse los dedos al manipular el soporte de pared o al girar el televisor.
- Al girar el televisor, manipúlelo con precaución y evite cualquier impacto con otras personas situadas cerca.
- Guarde los componentes que no utilice en un lugar seguro por si los necesita en el futuro. Manténgalos fuera del alcance de los niños.

No manipule el producto con fuerza excesiva cuando realice su limpieza o mantenimiento.

No aplique fuerza excesiva en la parte superior del televisor. Si lo hace, el televisor puede caerse y provocar daños personales o materiales.

No poner este producto cerca de aparatos médicos.

Este producto (incluyendo los accesorios) tiene un imán (o imanes) que puede interferir con marcapasos, válvulas de derivación programables para el tratamiento de la hidrocefalia, o con otros aparatos médicos. No ponga el producto cerca de personas que utilicen dichos aparatos médicos. Consulte con su médico antes de utilizar este producto si utiliza cualquiera de dichos aparatos médicos.

Mantener lejos del alcance de los niños y de personas bajo supervisión.

Este producto (incluyendo los accesorios) tiene un imán (o imanes). Tragar un imán (o imanes) puede ocasionar lesiones graves, como riesgo de atragantamiento o heridas intestinales. Si se traga imanes (o un imán), consulte con un médico inmediatamente.

Precauciones

- Si utiliza el televisor instalado en el soporte de pared durante un largo período de tiempo, es posible que la pared que quede detrás o encima del televisor se descolore o que, si la pared está empapelada, se despreque el papel, dependiendo del material de la pared.
- Si se quita el soporte de pared después de haber estado instalado en la pared, quedarán los orificios de los tornillos.
- No use el soporte de pared en un lugar en el que pueda sufrir vibraciones mecánicas.

Instalación del soporte de pared

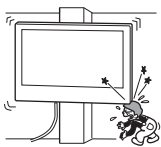
Información para los distribuidores de Sony

ADVERTENCIA

Las instrucciones siguientes están destinadas únicamente a los distribuidores de Sony. Asegúrese de leer las precauciones de seguridad descritas anteriormente y preste especial atención a la seguridad durante la instalación, el mantenimiento y la comprobación de este producto.

No instale el soporte de pared en superficies de paredes en las que puedan sobresalir las esquinas o los lados del televisor.

No instale el soporte de pared en superficies de paredes, tales como una columna, en las que puedan sobresalir las esquinas o los lados del televisor. Si una persona o un objeto se golpea con la esquina o el lado saliente del televisor, pueden producirse daños personales o materiales.

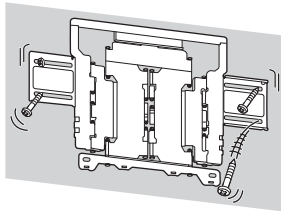


No instale el televisor encima ni debajo de un aparato de aire acondicionado.

Si el televisor queda expuesto a goteo de agua o corriente de aire procedentes del aparato de aire acondicionado durante mucho tiempo, podría producirse un incendio, una descarga eléctrica o un fallo de funcionamiento del televisor.

Asegúrese de instalar el soporte de pared firmemente en la pared siguiendo las instrucciones de este manual de instrucciones.

Si alguno de los tornillos queda suelto o se desprende, el soporte de pared puede caerse y provocar daños personales o materiales. Asegúrese de utilizar los tornillos adecuados para el material de la pared y de instalar la unidad de forma segura utilizando cuatro tornillos de 8 mm de diámetro (o equivalentes).



Asegúrese de utilizar correctamente los tornillos y las piezas de sujeción suministrados siguiendo las instrucciones que se describen en este manual de instrucciones. Si utiliza artículos sustitutivos, el televisor podría caerse y causar daños personales.

Efectúe correctamente el montaje del soporte siguiendo el procedimiento descrito en este manual de instrucciones.

Si alguno de los tornillos queda suelto o se desprende, el televisor podría caerse y causar daños en el televisor o provocar daños personales.

Asegúrese de apretar bien los tornillos en la posición correspondiente.

De lo contrario, el televisor podría caerse y causar daños en el televisor o provocar daños personales.

Procure que el televisor no reciba golpes durante la instalación.

Si el televisor recibe algún golpe, puede caerse o romperse. Tales percances podrían causar heridas personales.

Asegúrese de instalar el televisor en una pared que sea perpendicular y plana.

De lo contrario, el televisor podría caerse y provocar daños personales.

Una vez que haya instalado correctamente el televisor, fije adecuadamente los cables.

Si alguna persona u objeto se enreda con los cables, correrá el peligro de sufrir heridas personales o de dañarse el televisor.

Evite que el cable de alimentación de CA o el cable de conexión queden atrapados.

Si el cable de alimentación de CA o el cable de conexión quedan atrapados entre la unidad y la pared o si se doblan o tuercen con fuerza, es posible que los conductores internos queden expuestos y que provoquen un cortocircuito o corte eléctrico. Esto podría originar un incendio o producir descargas eléctricas.



Los tornillos necesarios para fijar el soporte de pared a la pared no están incluidos.

Utilice los tornillos adecuados para el material y la estructura de la pared en la que se proponga montar el soporte de pared.

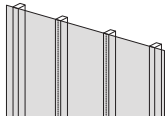
Antes de empezar

- Las ilustraciones del televisor que se muestran en este manual son ejemplos utilizados para proporcionar explicaciones claras de las operaciones. Por este motivo, las ilustraciones pueden ser diferentes de su televisor real.

¿De qué material es la pared?

En primer lugar, compruebe el tipo de pared donde se instalará el TV.

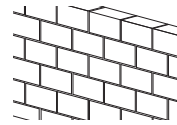
Pared de cartón yeso con puntales



Precauciones

- Grosor máximo de la pared de cartón yeso: 16 mm.
- Asegúrese de que el tamaño del puntal de madera interno sea como mínimo de 51 mm × 102 mm (estándar) o 38 mm × 89 mm (nominal).
- Deje un espacio horizontal mínimo de 406 mm entre los mecanismos de sujeción.

Hormigón en masa o bloque de hormigón



Precauciones

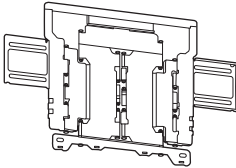

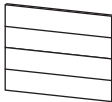

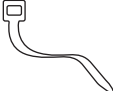
- Monte el soporte de pared directamente en la pared de hormigón en masa.
- Asegúrese de que el grosor de la pared de hormigón en masa es como mínimo de 203 mm.
- Compruebe que el tamaño de cada bloque de hormigón sea como mínimo de 203 mm × 203 mm × 406 mm.

ES

Verificación de las piezas



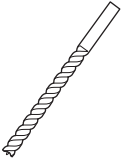
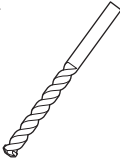
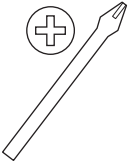
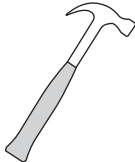
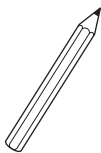
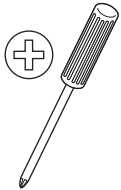
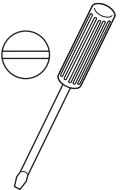
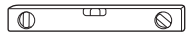


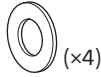
Suministrado con SU-WL850

- Compruebe que se hayan suministrado todas las piezas.

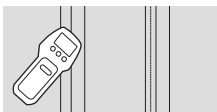
WM1 (x1) 	WM2 (x1) 	WM3 (x4) 
M6 (x4) 	WT1 (x6) 	

Preparación para la instalación

- Tenga a mano la Guía de referencia y la Guía de configuración del televisor antes de la instalación.
- Confirme la posición de instalación del televisor.
- Prepare cuatro tornillos de 8 mm de diámetro y cuatro arandelas adecuadas (no suministradas). Elija los tornillos adecuados para el material de la pared.
- Prepare las siguientes herramientas:

*1 		 5,5 mm	 10 mm	
*2 		 1,5 N·m {15 kgf·cm}	*3  1,5 N·m {15 kgf·cm}	
	*2  (x4)	*4  (x4) 8 mm x 60 mm	*4  (x4)	

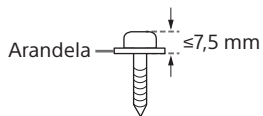
*1 Solo para paredes de cartón yeso con puntales



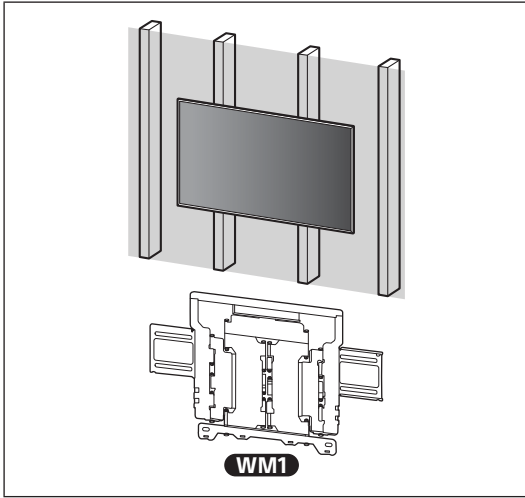
*2 Solo para paredes de hormigón en masa o bloque de hormigón

*3 Dependiendo de los modelos

*4 Seleccione con atención los tornillos y las arandelas



A Fijación del soporte de pared en paredes de cartón yeso con puntales



Instalación del soporte de pared en la pared

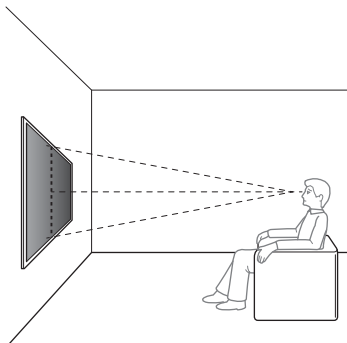
1 Decida la ubicación de instalación.

Asegúrese de que haya suficiente espacio en la pared para el televisor y de que la pared pueda soportar un peso al menos seis veces superior al del televisor.

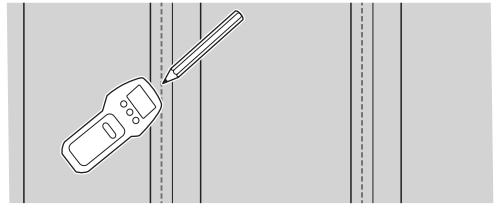
- Consulte "Medición para la instalación del soporte de pared en la pared" en la página 18.
- Para conocer el peso del televisor, consulte la Guía de referencia del televisor.

Nota

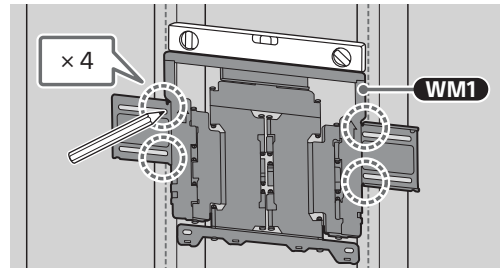
- Cuando el televisor está instalado en la pared, el lado superior del televisor está ligeramente inclinado hacia delante.
- Le recomendamos que compruebe la posición del televisor desde el lugar donde mirará la televisión.



2



3 Alinee WM1 con la pared y realice cuatro marcas alineadas con los puntales.

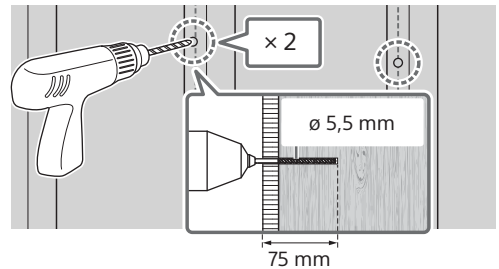


Nota

- Use un nivel para comprobar que el WM1 queda recto.

4 Taladre los agujeros guía superiores en las marcas.

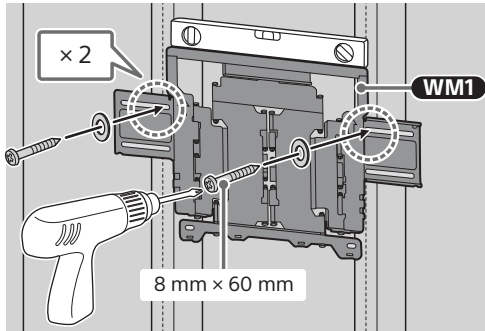
Asegúrese de que la parte de la pared donde se van a taladrar los orificios sea lo suficientemente resistente para soportar un peso de al menos seis veces superior al del televisor.



Nota

- Los agujeros guía deben tener una profundidad de 75 mm y deben taladrarse usando una broca de 5,5 mm de diámetro.

- 5 Instale **WM1** en la pared usando los tornillos (no suministrados) y las arandelas (no suministradas) adecuados.



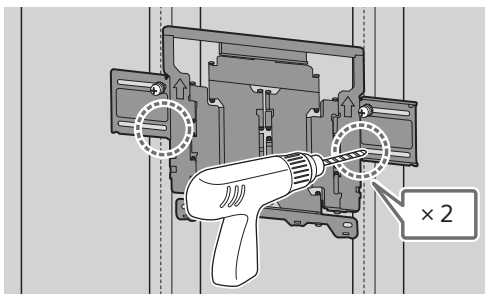
Nota

- Use un nivel para comprobar que el **WM1** queda recto.

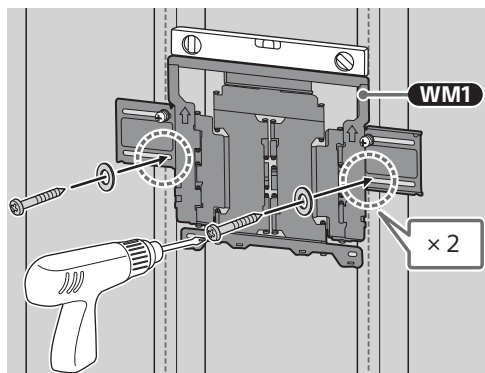
Precaución

- No apriete en exceso el tornillo de madera de 8 mm x 60 mm. Un apriete incorrecto podría reducir la capacidad de retención del tornillo de madera de 8 mm x 60 mm.

- 6 Taladre los agujeros guía inferiores en las marcas. (Consulte el paso 4 para ver las instrucciones para taladrar.)



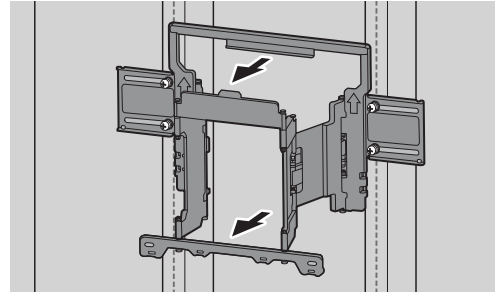
- 7 Coloque los tornillos y las arandelas adecuados en los agujeros.



Nota

- Use un nivel para comprobar que el **WM1** queda recto.

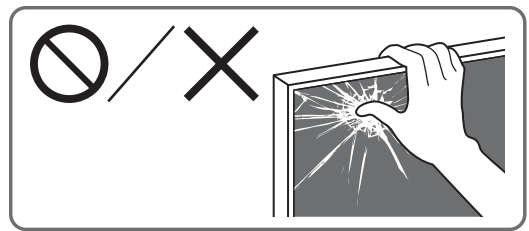
- 8 Extienda el brazo del soporte hasta el tope.



Preparación para instalar el televisor

Nota

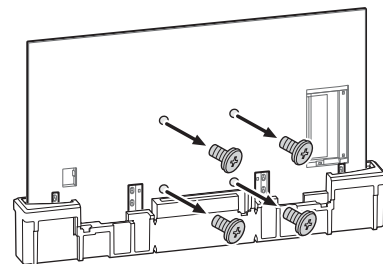
- Asegúrese de guardar los tornillos retirados y las piezas no utilizadas en un lugar seguro, lejos del alcance de los niños.



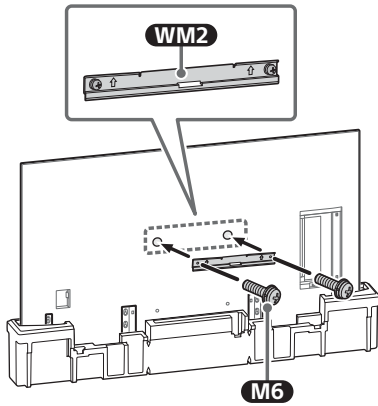
Instalación del televisor en una pared desde la caja*1

- *1 Solo para algunas regiones/países/modelos.

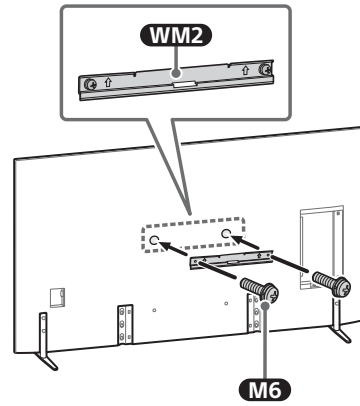
- 1 Quite los tornillos de la parte trasera del televisor.



2 Fije el **WM2** en el TV usando **M6**.

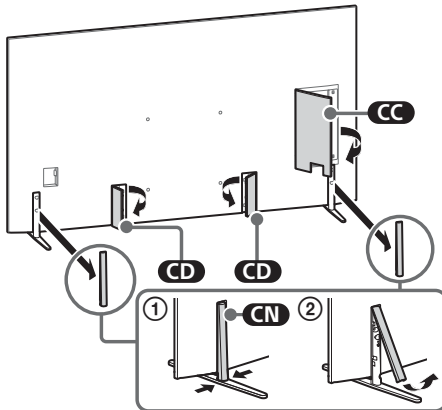


3 Fije el **WM2** en el TV usando **M6**.

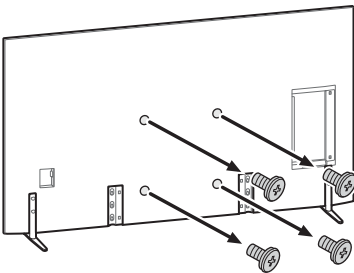


Instalación del televisor en una pared desde el soporte de sobremesa

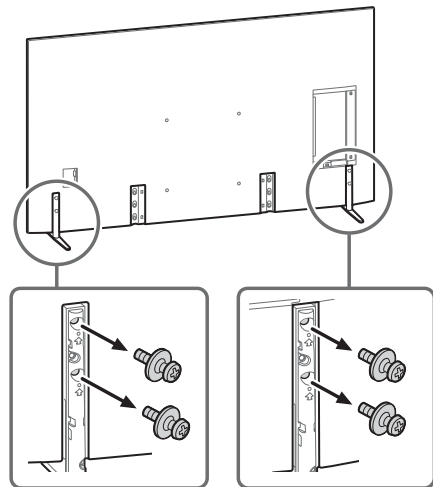
1 Retire las cubiertas del soporte y las cubiertas del terminal.



2 Quite los tornillos de la parte trasera del televisor.



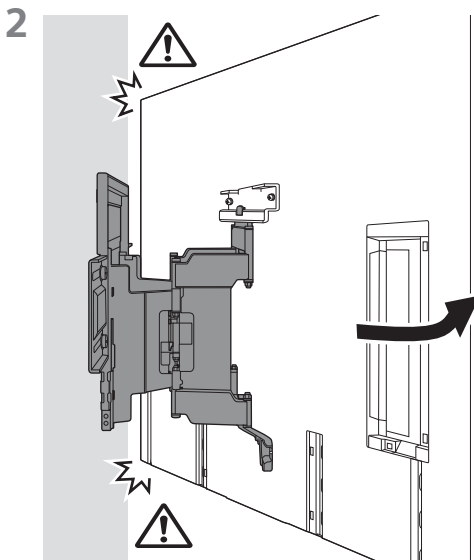
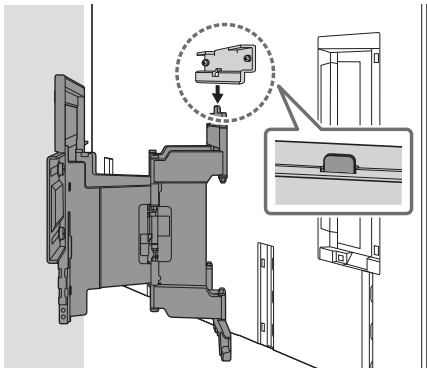
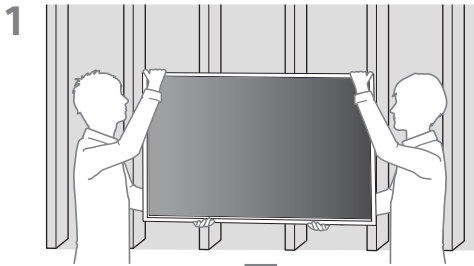
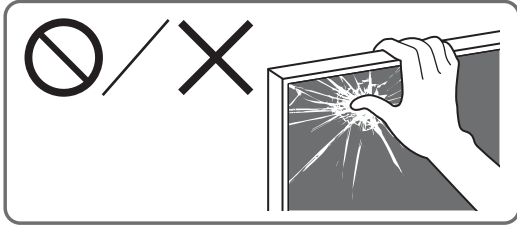
4 Desinstale el soporte de sobremesa del televisor.



Nota

- Tenga cuidado al levantar el televisor ya que si se desprende el soporte de sobremesa, este podría desequilibrarse y provocar lesiones personales.
- Tenga cuidado al retirar el soporte de sobremesa del televisor para evitar que se caiga y dañe la superficie sobre la que está el televisor.

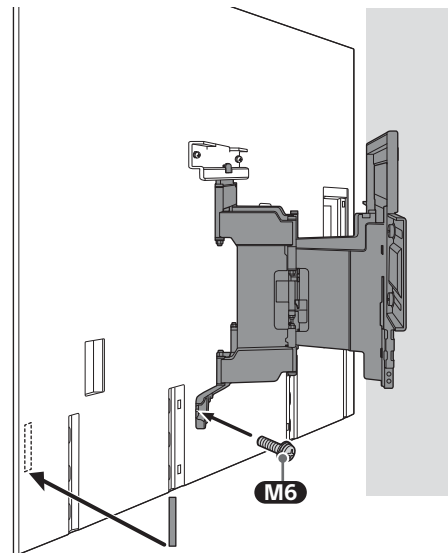
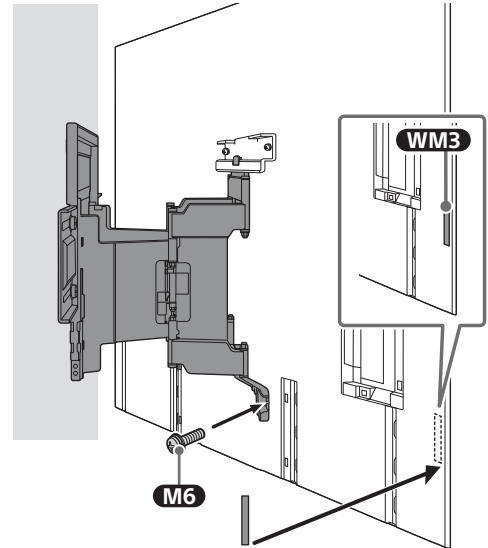
Instalación del televisor en la pared

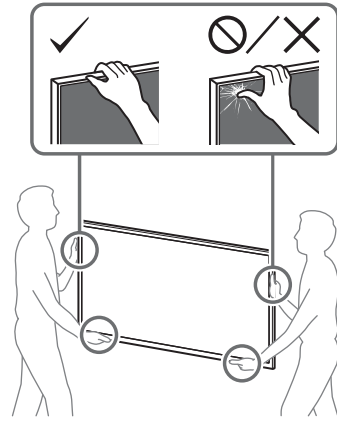
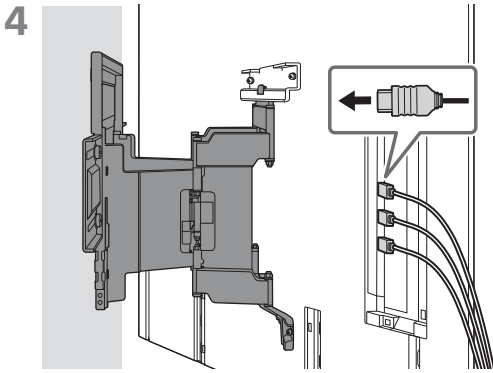


- 3 Atornille el lado izquierdo y el lado derecho del soporte de pared con el **M6** y fije el **WM3**.

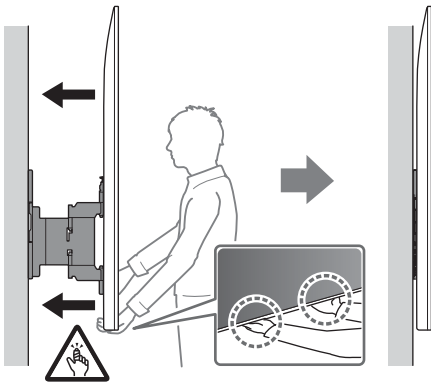
Nota

- No coloque el **WM3** en las etiquetas.



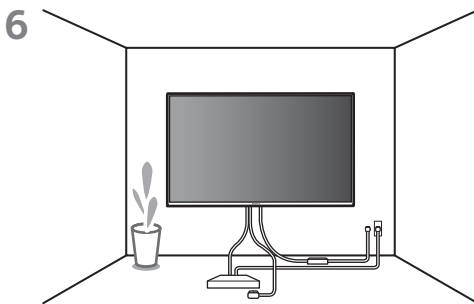


5 Al mover el televisor, sujételo con fuerza por la base.



Nota

- Es posible que el televisor no se mueva cerca de la pared dependiendo del tipo y el número de cables conectados. Esto no es indicativo de un fallo de funcionamiento.



ADVERTENCIA

- Se necesitan dos o más personas (tres o más personas para un televisor de 189,3 cm (75 pulgadas) o más grande) para transportar un televisor grande (excepto Egipto).
Se necesitan dos o más personas (tres o más personas para un televisor de 75 pulgadas (189,3 cm) o más grande) para transportar un televisor grande (solamente Egipto).

Confirmación del final de la instalación

Verifique los siguientes puntos.

- Que los cables no estén retorcidos ni atrapados.

ADVERTENCIA

- La colocación inadecuada del cable de alimentación de CA, etc., puede ser causa de un incendio o de descargas eléctricas debido a un cortocircuito. Por razones de seguridad, no olvide confirmar que haya finalizado la instalación.

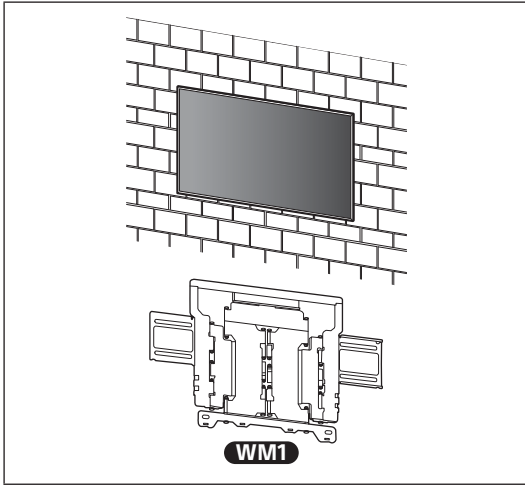
Información adicional

Para retirar el televisor, lleve a cabo el procedimiento de instalación a la inversa.

ADVERTENCIA

- Se necesitan dos o más personas (tres o más personas para un televisor de 189,3 cm (75 pulgadas) o más grande) para transportar un televisor grande (excepto Egipto).
Se necesitan dos o más personas (tres o más personas para un televisor de 75 pulgadas (189,3 cm) o más grande) para transportar un televisor grande (solamente Egipto).

B Instalación del soporte de pared en una pared de hormigón en masa o bloque de hormigón



Instalación del soporte de pared en la pared

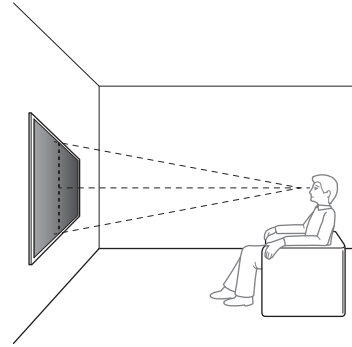
1 Decida la ubicación de instalación.

Asegúrese de que haya suficiente espacio en la pared para el televisor y de que la pared pueda soportar un peso al menos seis veces superior al del televisor.

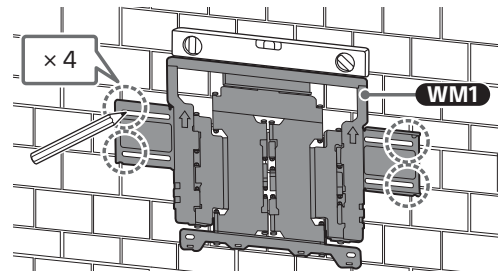
- Consulte "Medición para la instalación del soporte de pared en la pared" en la página 18.
- Para conocer el peso del televisor, consulte la Guía de referencia del televisor.

Nota

- Cuando el televisor está instalado en la pared, el lado superior del televisor está ligeramente inclinado hacia delante.
- Le recomendamos que compruebe la posición del televisor desde el lugar donde mirará la televisión.



2 Alinee WM1 con la pared y realice cuatro marcas.

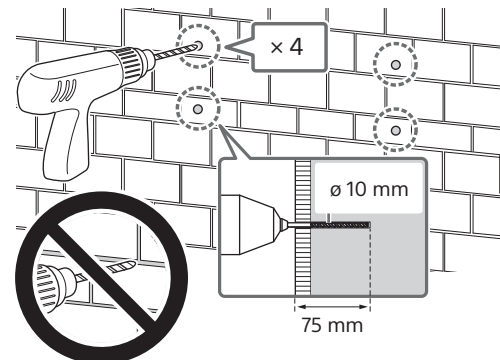


Nota

- Use un nivel para comprobar que el WM1 queda recto.

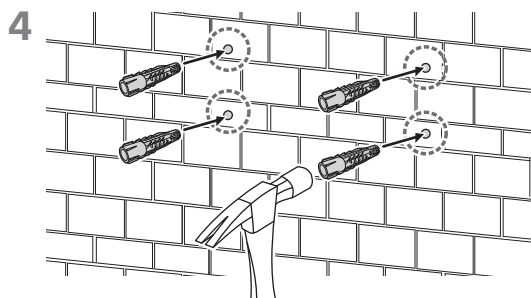
3 Taladre los orificios en las marcas.

Asegúrese de que la parte de la pared donde se van a taladrar los orificios sea lo suficientemente resistente para soportar un peso de al menos seis veces superior al del televisor.

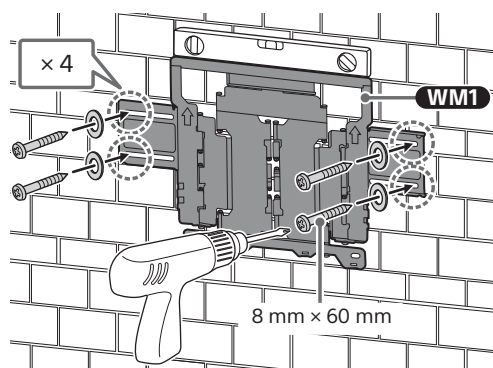


Nota

- Los agujeros guía deben tener una profundidad de 75 mm y deben taladrarse usando una broca de 10 mm de diámetro.



- 5 Instale **WM1** en la pared usando los tornillos (no suministrados) y las arandelas (no suministradas) adecuados.



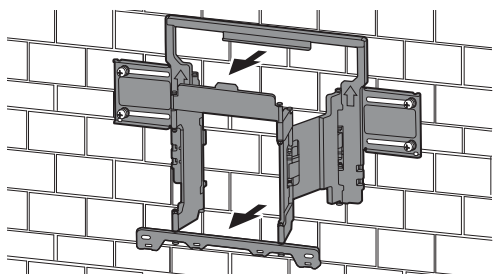
Nota

- Use un nivel para comprobar que el **WM1** queda recto.

Precaución

- No apriete en exceso el tornillo de madera de 8 mm x 60 mm. Un apriete incorrecto podría reducir la capacidad de retención del tornillo de madera de 8 mm x 60 mm.

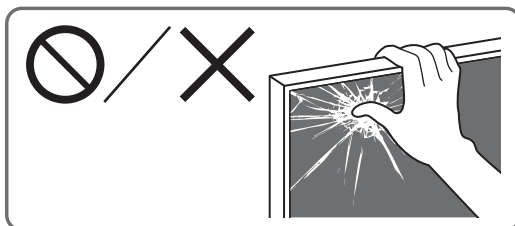
- 6 Extienda el brazo del soporte hasta el tope.



Preparación para instalar el televisor

Nota

- Asegúrese de guardar los tornillos retirados y las piezas no utilizadas en un lugar seguro, lejos del alcance de los niños.

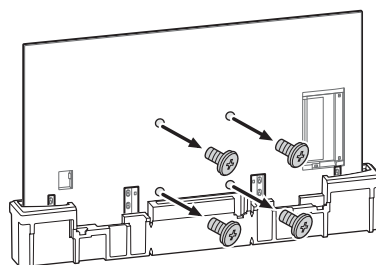


Instalación del televisor en una pared desde la caja*1

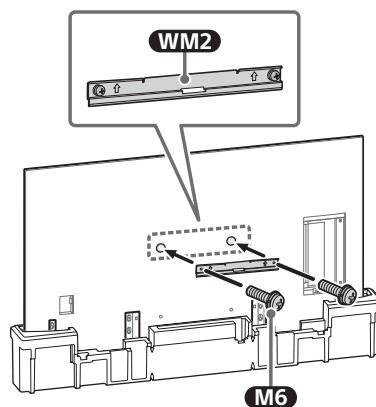
- *1 Solo para algunas regiones/países/modelos.

ES

- 1 Quite los tornillos de la parte trasera del televisor.

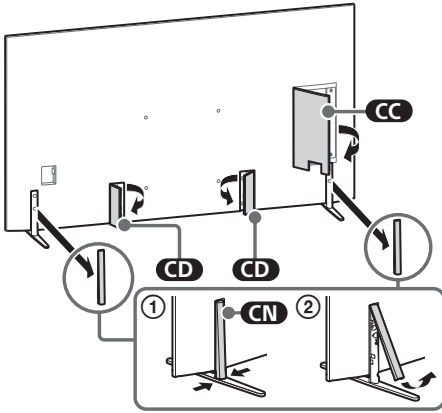


- 2 Fije el **WM2** en el TV usando **M6**.

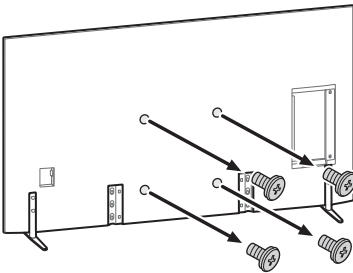


Instalación del televisor en una pared desde el soporte de sobremesa

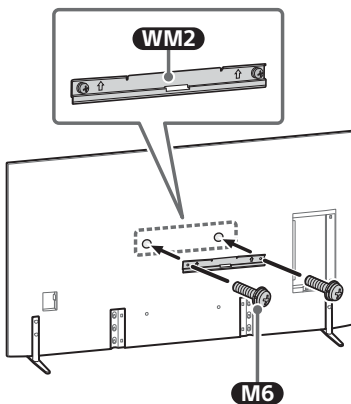
- 1 Retire las cubiertas del soporte y las cubiertas del terminal.



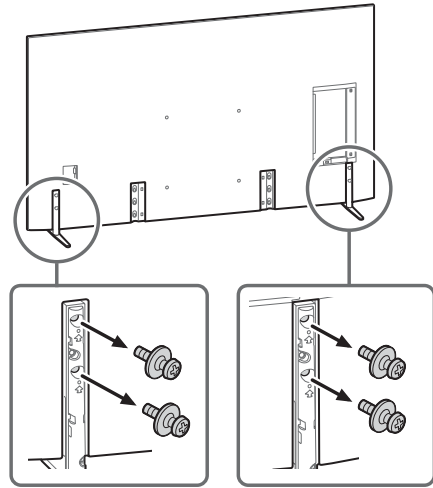
- 2 Quite los tornillos de la parte trasera del televisor.



- 3 Fije el **WM2** en el TV usando **M6**.



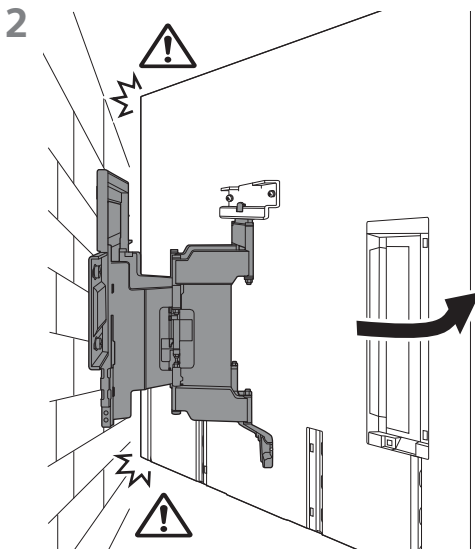
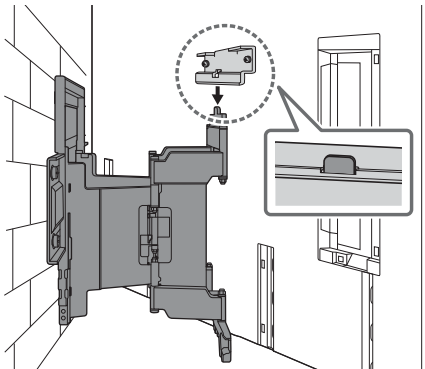
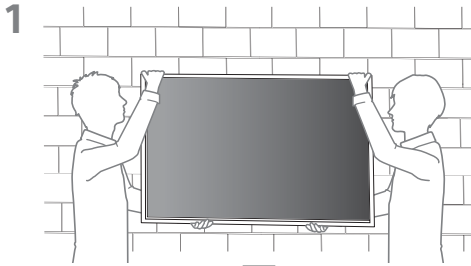
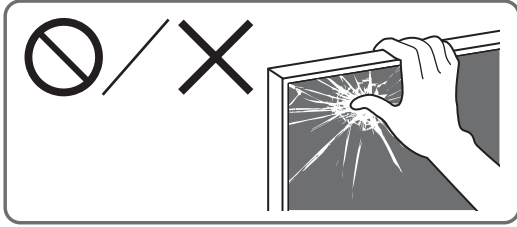
- 4 Desinstale el soporte de sobremesa del televisor.



Nota

- Tenga cuidado al levantar el televisor ya que si se desprende el soporte de sobremesa, este podría desequilibrarse y provocar lesiones personales.
- Tenga cuidado al retirar el soporte de sobremesa del televisor para evitar que se caiga y dañe la superficie sobre la que está el televisor.

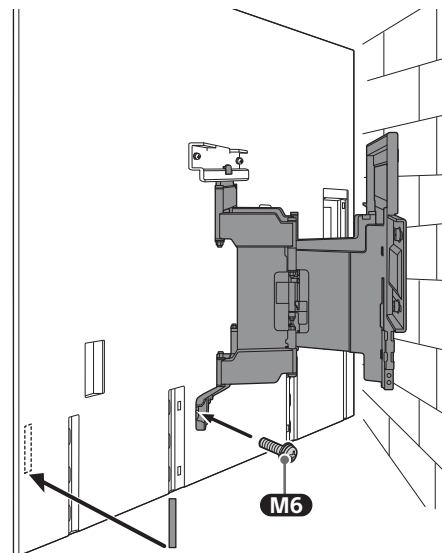
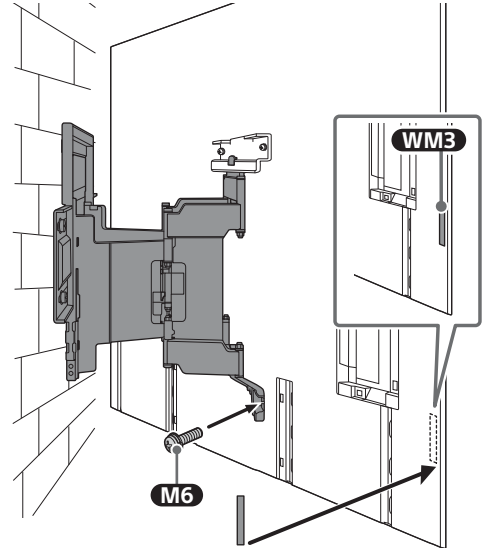
Instalación del televisor en la pared



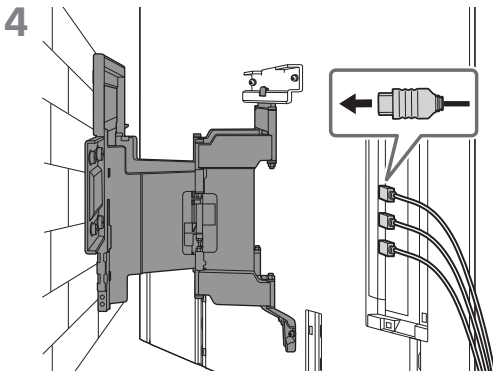
3 Atornille el lado izquierdo y el lado derecho del soporte de pared con el **M6** y fije el **WM3**.

Nota

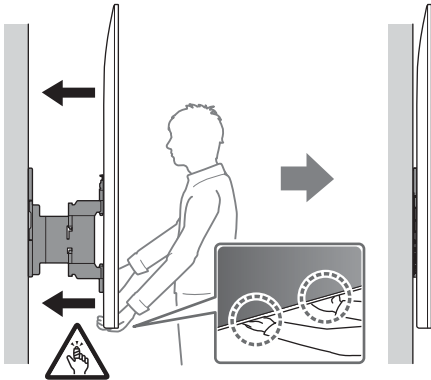
- No coloque el **WM3** en las etiquetas.



ES

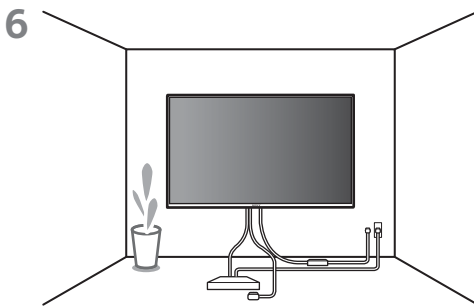


5 Al mover el televisor, sujételo con fuerza por la base.



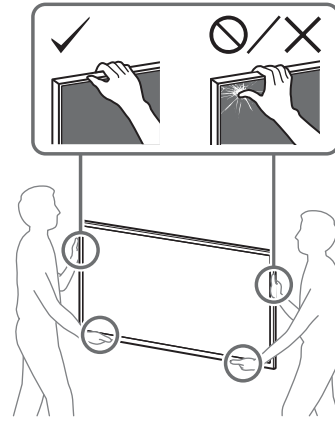
Nota

- Es posible que el televisor no se mueva cerca de la pared dependiendo del tipo y el número de cables conectados. Esto no es indicativo de un fallo de funcionamiento.



ADVERTENCIA

- Se necesitan dos o más personas (tres o más personas para un televisor de 189,3 cm (75 pulgadas) o más grande) para transportar un televisor grande (excepto Egipto).
Se necesitan dos o más personas (tres o más personas para un televisor de 75 pulgadas (189,3 cm) o más grande) para transportar un televisor grande (solamente Egipto).



Confirmación del final de la instalación

Verifique los siguientes puntos.

- Que los cables no estén retorcidos ni atrapados.

ADVERTENCIA

- La colocación inadecuada del cable de alimentación de CA, etc., puede ser causa de un incendio o de descargas eléctricas debido a un cortocircuito. Por razones de seguridad, no olvide confirmar que haya finalizado la instalación.

Información adicional

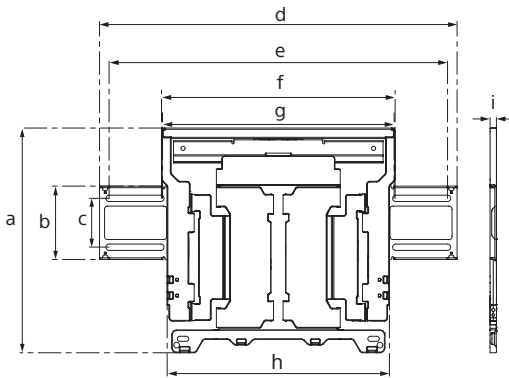
Para retirar el televisor, lleve a cabo el procedimiento de instalación a la inversa.

ADVERTENCIA

- Se necesitan dos o más personas (tres o más personas para un televisor de 189,3 cm (75 pulgadas) o más grande) para transportar un televisor grande (excepto Egipto).
Se necesitan dos o más personas (tres o más personas para un televisor de 75 pulgadas (189,3 cm) o más grande) para transportar un televisor grande (solamente Egipto).

Especificaciones

WM1



Dimensiones: (aprox.) [mm]

- a : 354
- b : 116
- c : 77
- d : 563
- e : 533
- f : 370
- g : 368
- h : 350
- i : 11

Peso (solo base): (aprox.) [kg]

3,0

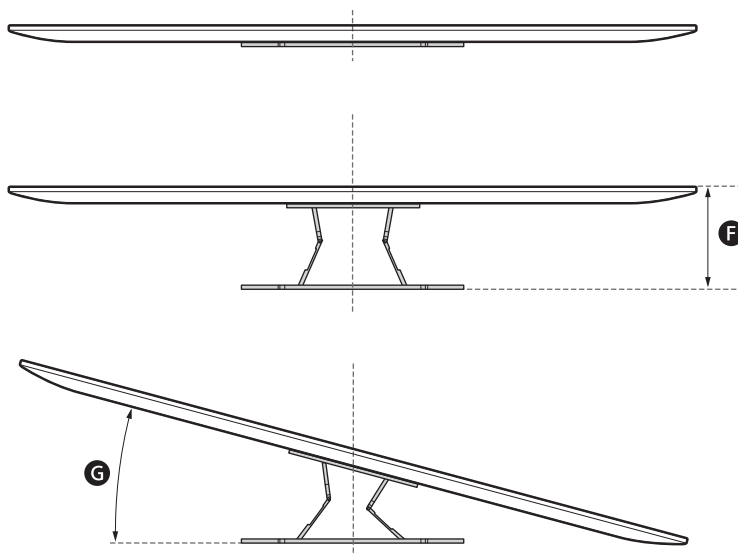
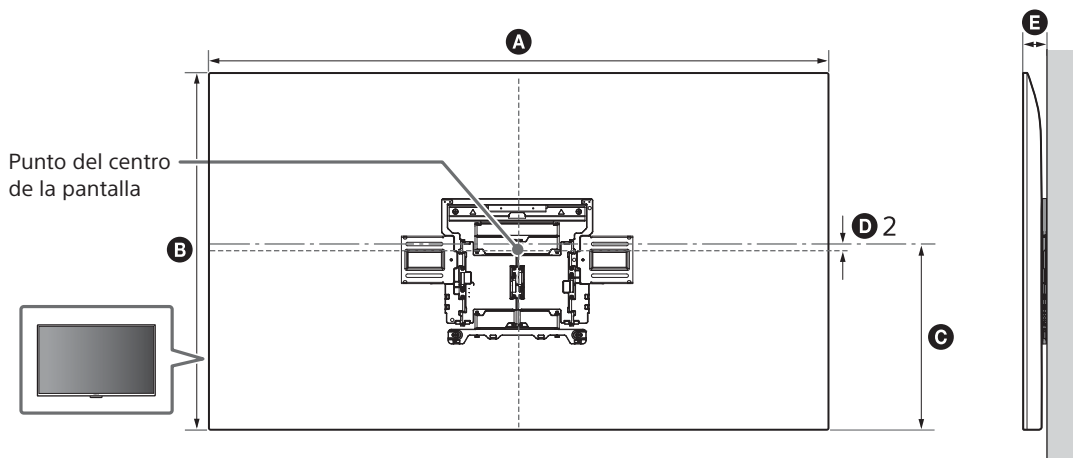
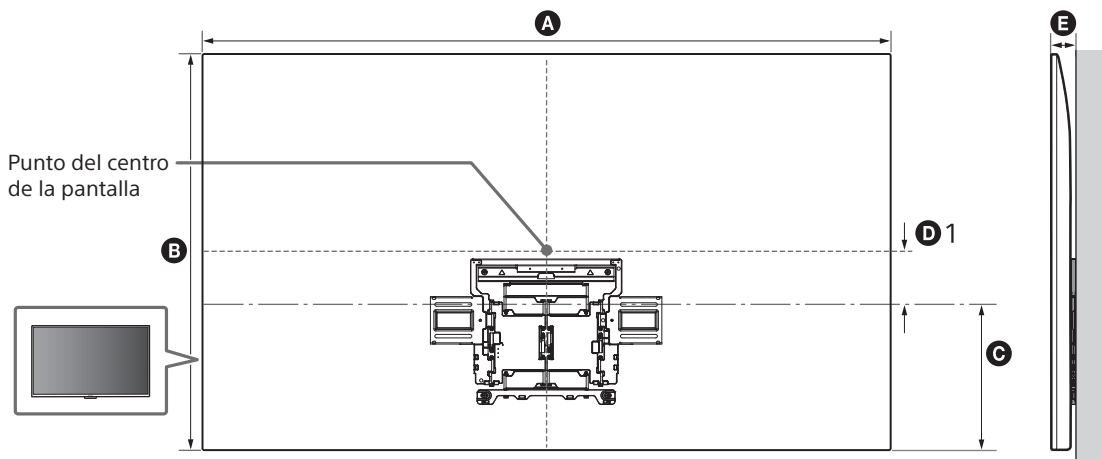
El diseño y las especificaciones están sujetos a cambios sin previo aviso.

ES

Referencias

Medición para la instalación del soporte de pared en la pared

Las cifras de la tabla pueden ser distintas según la instalación.



(mm)

Nombre del modelo	A	B	C	D 1	D 2	E	F ^{*1}	G ^{*1} (°)
K-77XR8x	1 713	984	362	139	-	48	251,4	12
K-65XR8x	1 442	829	362	57	-	48	250,8	17
K-55XR8x	1 223	706	362	-	3	48	250,8	19

*1 (Aprox.)

Installationsinformationen zum Verwenden der Wandhalterung (SU-WL850) von Sony

Unterstützte Modelle*1:

*1 „x“/„xx“ steht für Zahlen und/oder Zeichen, die im eigentlichen Modellnamen für das jeweilige Modell eindeutig sind.

K-77XR8x / 65XR8x / 55XR8x

Für den Kunden

Zum Schutz des Produkts und aus Sicherheitsgründen empfiehlt Sony dringend, die Installation des Fernsehgeräts von einem Sony-Händler oder lizenzierten Fachleuten ausführen zu lassen. Versuchen Sie nicht, das Gerät selbst zu installieren.

Für Sony-Händler und Montagefachleute

Achten Sie bei der Installation, der regelmäßigen Wartung und der Überprüfung des Produkts in erster Linie auf Sicherheit.

Zur Installation dieses Produkts sind Fachkenntnisse erforderlich, insbesondere um die Tragfähigkeit der Wand für das Gewicht des Fernsehgeräts sicherzustellen. Überlassen Sie die Montage dieses Produkts an der Wand unbedingt Sony-Händlern oder lizenzierten Fachleuten und ergreifen Sie bei der Montage geeignete Sicherheitsmaßnahmen. Sony übernimmt keine Haftung für Verletzungen bzw. Sachschäden, die durch unsachgemäßen Umgang mit dem Produkt oder eine fehlerhafte Montage entstehen.

Befolgen Sie aus Gründen der Sicherheit und der ordnungsgemäßen Installation die Bedienungsanleitung für die Wandhalterung, das Einrichtungshandbuch für das Fernsehgerät und die Anweisungen in diesem Handbuch.

Wandhalterung

Hinweise zur Sicherheit

Vielen Dank, dass Sie sich für dieses Produkt entschieden haben.

Für den Kunden

Montieren des Fernsehgeräts an der Wand



INSTALLATION DURCH EINEN FACHMANN ERFORDERLICH

Dieses Produkt sollte nur von einem professionellen Monteur installiert werden, der darin geschult ist, die Stärke der Wand zu bestimmen, die das Gewicht des Fernsehgeräts tragen muss. Wenn das Gerät während der Installation nicht ordnungsgemäß gesichert wird, kann das Fernsehgerät herunterfallen und schwerwiegende Verletzungen verursachen. Sony ist nicht haftbar für Schäden oder Verletzungen, die durch einen fehlerhaften Umgang oder die unsachgemäße Installation bzw. die Installation eines anderen als des angegebenen Produkts verursacht wurden. Ihre gesetzlichen Rechte (wenn zutreffend) sind davon nicht betroffen.

An die Sony-Händler

Zur Montage dieses Produkts sind ausreichende Fachkenntnisse erforderlich. Lesen Sie sich diese Anleitung unbedingt sorgfältig durch, um die Montagearbeiten sicher durchzuführen. Sony übernimmt keine Haftung für Schäden oder Verletzungen durch die fehlerhafte Handhabung oder eine unsachgemäße Montage. Händigen Sie diese Anleitung nach der Montage dem Kunden aus.

Diese Anleitung zeigt die richtige Handhabung des Produkts und wichtige Vorsichtshinweise, die notwendig sind, um Unfälle zu vermeiden. Es liegt in Ihrer Verantwortung, alle Anweisungen in dieser Anleitung zu lesen, sie genau zu verstehen und zu befolgen. Andernfalls kann es zu schwerwiegenden Personen- oder Sachschäden bzw. zu einem Erlöschen der Garantie kommen. Bewahren Sie diese Anleitung zum künftigen Nachschlagen auf.

Produkte von Sony wurden im Hinblick auf die Sicherheit entwickelt. Wenn die Produkte aber falsch verwendet werden, kann dies zu schwerwiegenden Verletzungen durch Feuer, Stromschlag, das Kippen des Produkts oder das Herunterfallen des Produkts führen. Beachten Sie unbedingt die Vorsichtshinweise, um solche Unfälle zu vermeiden.

VORSICHT

Angegebene Produkte

Diese Wandhalterung wurde zur Verwendung mit den angegebenen Fernsehgeräten entwickelt. Schlagen Sie bei Fernsehgeräten in der zugehörigen Referenzanleitung nach, um sich zu vergewissern, dass die Wandhalterung verwendet werden kann.

Für den Kunden

WARNUNG

Wenn die folgenden Vorsichtshinweise nicht beachtet werden, kann es zu schwerwiegenden Verletzungen oder Tod durch Feuer, Stromschlag oder das Herunterfallen des Produkts kommen.

Überlassen Sie die Montage einem lizenzierten Fachmann und halten Sie kleine Kinder während der Montage fern.

Wenn die Wandhalterung oder das Fernsehgerät nicht korrekt montiert werden, kann es zu den folgenden Unfällen kommen. Achten Sie darauf, dass die Montage durch einen lizenzierten Fachmann ausgeführt wird.

- Das Fernsehgerät kann herunterfallen und schwerwiegenden Verletzungen wie Prellungen oder Brüche verursachen.
- Wenn die Wand, an der die Wandhalterung montiert werden soll, instabil, uneben oder nicht senkrecht zum Boden ist, kann das Gerät herunterfallen und Verletzungen oder Sachschäden verursachen. Die Wand sollte mindestens das sechsfache Gewicht des Fernsehgeräts tragen können. (Informationen zum Gewicht des Fernsehgeräts finden Sie in der Referenzanleitung des Geräts.)
- Wenn die Montage der Wandhalterung an der Wand nicht ausreichend stabil ist, kann das Gerät herunterfallen und Verletzungen oder Sachschäden verursachen.

Überlassen Sie die Umpositionierung bzw. den Abbau des Fernsehgeräts einem lizenzierten Fachmann.

Wenn andere Personen als ein lizenzierter Fachmann den Transport oder Abbau des Fernsehgeräts übernehmen, kann es herunterfallen und Verletzungen oder Sachschäden verursachen. Zum Transport eines großen Fernsehgeräts sind zwei oder mehr Personen (drei oder mehr Personen für Fernsehgeräte von mehr als 189,3 cm (75 Zoll)) nötig (außer Ägypten). Zum Transport eines großen Fernsehgeräts sind zwei oder mehr Personen (drei oder mehr Personen für Fernsehgeräte von mehr als 75 Zoll (189,3 cm)) nötig (nur Ägypten).

Entfernen Sie keine Schrauben usw., nachdem Sie das Fernsehgerät montiert haben.

Andernfalls kann das Fernsehgerät herunterfallen und Verletzungen oder Sachschäden verursachen.

Nehmen Sie keine Veränderungen an Teilen der Wandhalterung vor.

Andernfalls kann die Wandhalterung herunterfallen und Verletzungen oder Sachschäden verursachen.

Montieren Sie keine Geräte außer dem angegebenen Produkt.

Diese Wandhalterung wurde nur zur Verwendung mit dem angegebenen Produkt entwickelt. Wenn Sie andere als das angegebene Gerät montieren, kann sie herunterfallen oder brechen und Verletzungen oder Sachschäden verursachen.

Belasten Sie die Wandhalterung nur mit dem Gewicht des Fernsehgeräts. Setzen Sie das Fernsehgerät keinen Erschütterungen nach links/rechts oder oben/unten aus.

Andernfalls kann das Fernsehgerät herunterfallen und Verletzungen oder Sachschäden verursachen.

Lehnen und hängen Sie sich nicht an das Fernsehgerät.

Lehnen und hängen Sie sich nicht an das Fernsehgerät, da es auf Sie fallen und schwerwiegende Verletzungen verursachen könnte.

VORSICHT

Wenn die folgenden Vorsichtshinweise nicht beachtet werden, kann es zu Verletzungen oder Sachschäden kommen.

- Achten Sie darauf, dass Sie sich nicht die Finger einklemmen, während Sie mit der Wandhalterung arbeiten oder das Fernsehgerät drehen.
- Gehen Sie beim Schwenken des Fernsehgeräts vorsichtig vor und achten Sie darauf, dass Sie keine Personen in der Nähe treffen.
- Lagern Sie die nicht verwendeten Teile unbedingt zur künftigen Verwendung an einem sicheren Ort. Halten Sie sie von Kindern fern.

DE

Üben Sie während der Reinigung oder Wartung keine übermäßige Gewalt auf das Produkt aus.

Üben Sie keine übermäßige Gewalt auf die Oberseite des Fernsehgeräts aus. Andernfalls kann das Fernsehgerät herunterfallen und Verletzungen oder Sachschäden verursachen.

Dieses Produkt nicht in der Nähe von medizinischen Geräten aufstellen.

Dieses Produkt (einschließlich der Zubehörteile) enthält einen oder mehrere Magnete, die Herzschrittmacher, programmierbare Shunt-Ventile für die Behandlung von Hydrozephalus oder andere medizinische Geräte beeinträchtigen können. Stellen Sie dieses Produkt nicht in der Nähe von Personen auf, die solche medizinischen Geräte verwenden. Konsultieren Sie Ihren Arzt vor der Benutzung dieses Produkts, falls Sie ein solches medizinisches Gerät verwenden.

Außer Reichweite von Kindern oder beaufsichtigten Personen halten.

Dieses Produkt (einschließlich der Zubehörteile) enthält einen oder mehrere Magnete. Verschlucken von Magneten könnte ernsthafte Schäden, wie z. B. Erstickungsgefahr oder Darmverletzungen, verursachen. Falls Magnete (oder ein Magnet) verschluckt werden, konsultieren Sie unverzüglich einen Arzt.

Vorsichtshinweise

- Wenn Sie das Fernsehgerät längere Zeit verwenden, wenn es an der Wandhalterung angebracht ist, kann sich, abhängig vom Material der Wand, die Wand hinter oder über dem Fernsehgerät verfärben oder die Tapete kann sich lösen.
- Wenn die Wandhalterung nach der Montage an der Wand entfernt wird, verbleiben die Schraubenbohrungen.
- Verwenden Sie die Wandhalterung nicht an Orten, an denen sie mechanischen Vibrationen ausgesetzt ist.

Montieren der Wandhalterung

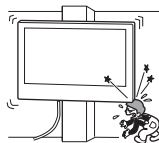
An die Sony-Händler

WARNUNG

Die folgenden Anweisungen gelten nur für Sony-Händler. Lesen Sie sich unbedingt die oben aufgeführten Sicherheitshinweise durch und achten Sie während der Montage, Wartung und Überprüfung des Produkts insbesondere auf die Sicherheit.

Installieren Sie die Wandhalterung nicht auf einer Wandfläche, bei der die Ecken der Kanten des Fernsehgeräts über die Wandfläche hinausragen.

Installieren Sie die Wandhalterung nicht auf einer Wandfläche, wie einer Säule, bei der die Ecken der Kanten des Fernsehgeräts über die Wandfläche hinausragen. Wenn eine Person oder ein Objekt gegen die vorstehende Ecke oder Seite des Fernsehgeräts stößt, kann es zu Verletzungen oder Sachschäden kommen.

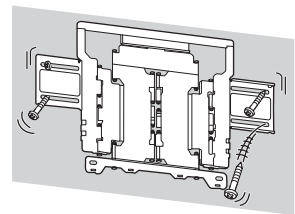


Montieren Sie das Fernsehgerät nicht über oder unter einem Klimagerät.

Wenn das Fernsehgerät längere Zeit austretendem Wasser oder dem Luftstrom einer Klimaanlage ausgesetzt ist, kann es zu einem Brand, Stromschlag oder einer Fehlfunktion des Fernsehgeräts kommen.

Achten Sie darauf, die Wandhalterung entsprechend den Anweisungen in dieser Anleitung sicher an der Wand zu montieren.

Wenn Schrauben locker sind oder herausfallen, kann die Wandhalterung herunterfallen und Verletzungen oder Sachschäden verursachen. Achten Sie darauf, dass Sie passende Schrauben für das Material der Wand verwenden, und installieren Sie das Gerät sicher mit vier Schrauben mit einem Durchmesser von 8 mm (oder entsprechend).



Verwenden Sie unbedingt die mitgelieferten Schrauben und Befestigungsteile entsprechend den Anweisungen in dieser Anleitung. Wenn Sie andere Teile verwenden, kann das Fernsehgerät herunterfallen und Personenschäden oder Schäden am Fernsehgerät verursachen.

Bauen Sie die Halterung ordnungsgemäß entsprechend den in dieser Anleitung beschriebenen Schritten zusammen.

Wenn die Schrauben lose sind oder herausfallen, kann das Fernsehgerät herunterfallen und Personenschäden oder Schäden am Fernsehgerät verursachen.

Ziehen Sie die Schrauben unbedingt an den dafür vorgesehenen Positionen fest.

Andernfalls kann das Fernsehgerät herunterfallen und Personenschäden oder Schäden am Fernsehgerät verursachen.

Achten Sie darauf, das Fernsehgerät während der Montage keinen Erschütterungen auszusetzen.

Wenn das Fernsehgerät Erschütterungen ausgesetzt wird, kann es herunterfallen oder brechen. Dies kann zu Verletzungen führen.

Achten Sie darauf, das Fernsehgerät an einer Wand zu montieren, die senkrecht und eben ist.

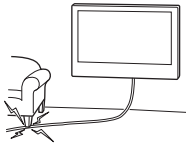
Andernfalls kann das Fernsehgerät herunterfallen und Verletzungen verursachen.

Sichern Sie die Kabel nach der ordnungsgemäßen Montage des Fernsehgeräts ordnungsgemäß.

Wenn sich Personen oder Gegenstände in den Kabeln verfangen, kann diese zu Verletzungen oder Schäden am Fernsehgerät führen.

Verhindern Sie, dass das Netz- oder die Verbindungskabel eingeklemmt werden.

Wenn das Netz- oder die Verbindungskabel zwischen dem Gerät und der Wand eingeklemmt werden oder gewaltsam verbogen oder verdreht werden, können die internen Adern freigelegt werden und es kann zu einem Kurzschluss oder Stromschlag kommen. Dies kann zu einem Brand oder Stromschlag führen.



Die Schrauben zur Sicherung der Wandhalterung an der Wand sind nicht mitgeliefert.

Verwenden Sie passende Schrauben für das Material und die Struktur der Wand, wenn Sie die Wandhalterung montieren.

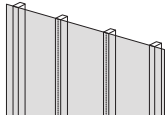
Bevor Sie beginnen

- Die in diesem Handbuch gezeigten Abbildungen von Fernsehgeräten sind Beispiele, die zur anschaulichen Erläuterung der Bedienung dienen. Aus diesem Grund können die Abbildungen von Ihrem tatsächlichen Fernsehgerät abweichen.

Woraus besteht Ihre Wand?

Überprüfen Sie zuerst die Art der Wand, an der der Fernseher installiert werden soll.

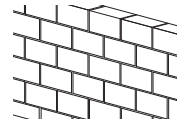
Trockenbauwand mit Ständern



Vorsichtshinweise

- Maximale Stärke der Trockenbauwand: 16 mm.
- Stellen Sie sicher, dass die Größe der inneren Holzständer mindestens 51 mm × 102 mm als allgemeine oder 38 mm × 89 mm als Nenngröße beträgt.
- Halten Sie einen minimalen horizontalen Abstand von 406 mm zwischen den Halterungen ein.

Massivbeton oder Betonblockstein



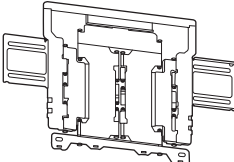



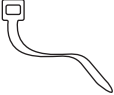
Vorsichtshinweise

- Befestigen Sie die Wandhalterung direkt an der Massivbetonwand.
- Stellen Sie sicher, dass die Stärke der Massivbetonwand mindestens 203 mm beträgt.
- Stellen Sie sicher, dass die Größe jedes Betonblocksteins mindestens 203 mm × 203 mm × 406 mm beträgt.

Überprüfen der Teile



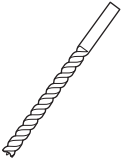
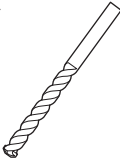
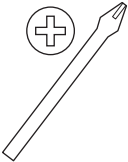
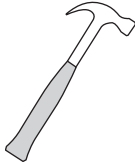
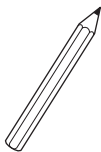

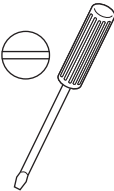




Mit der SU-WL850 geliefert

- Stellen Sie sicher, dass alle Teile vorhanden sind.

WM1 (x1) 	WM2 (x1) 	WM3 (x4) 
M6 (x4) 	WT1 (x6) 	

Vorbereitung der Montage

- Halten Sie für die Installation die Referenzanleitung und das Einrichtungshandbuch des Fernsehgeräts bereit.
- Überprüfen Sie die Montageposition des Fernsehgeräts.
- Halten Sie vier Schrauben mit einem Durchmesser von 8 mm und vier passende Unterlegscheiben (nicht mitgeliefert) bereit. Wählen Sie Schrauben, die für das Material der Wand geeignet sind.
- Legen Sie die folgenden Werkzeuge bereit:

*1 		 5,5 mm	 10 mm	
*2 		 1,5 N·m {15 kgf·cm}	*3  1,5 N·m {15 kgf·cm}	
	*2  (x4)	*4  (x4) 8 mm × 60 mm	*4  (x4)	

DE

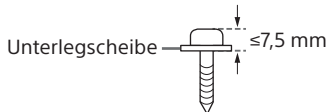
*1 Nur für Trockenbauwände mit Ständern



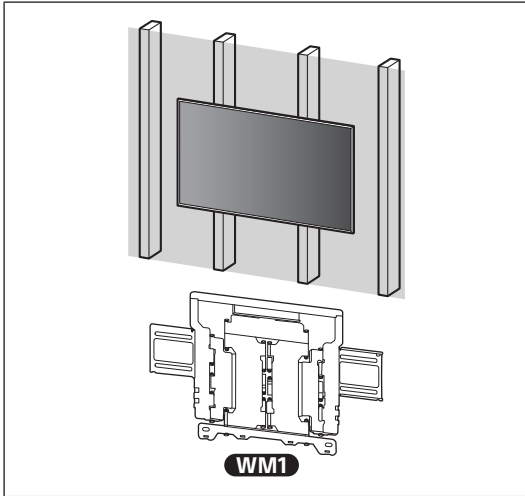
*2 Nur für Massivbeton oder Betonblocksteine

*3 Je nach Modell

*4 Seien Sie vorsichtig bei der Auswahl der Schrauben und Unterlegscheiben



A Anbringen der Wandhalterung an Trockenbauwänden mit Ständern



Installation der Wandhalterung an der Wand

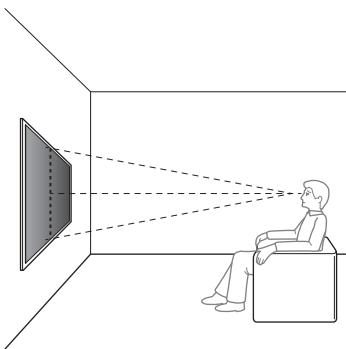
1 Legen Sie die Montageposition fest.

Stellen Sie sicher, dass an der Wand genug Platz für das Fernsehgerät ist und dass die Wand eine Tragfähigkeit von mindestens dem sechsfachen des Gewichts des Fernsehgeräts aufweist.

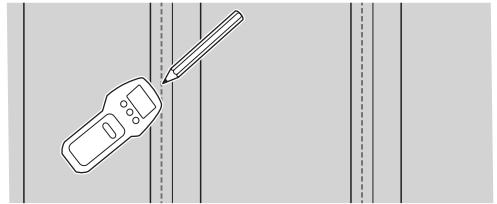
- Siehe „Maß für die Anbringung der Wandhalterung an der Wand“ auf Seite 19.
- In der Referenzanleitung zum Fernsehgerät finden Sie Informationen zum Gewicht des Fernsehgeräts.

Hinweis

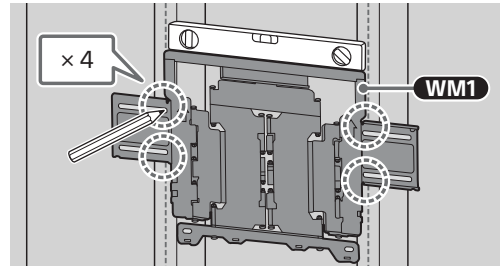
- Wenn das Fernsehgerät an der Wand montiert ist, ist die Oberkante des Fernsehgeräts leicht nach vorne geneigt.
- Wir empfehlen Ihnen, die Position des Fernsehgeräts in der entsprechenden Sitzposition zu prüfen.



2



3 Richten Sie WM1 an der Wand aus und machen Sie vier Markierungen, die an den Ständern ausgerichtet sind.

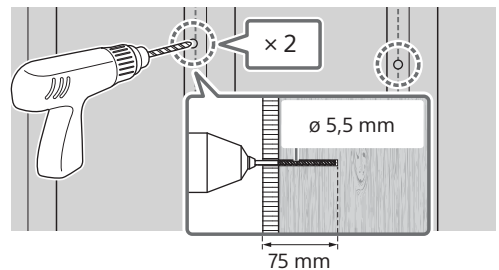


Hinweis

- Verwenden Sie eine Wasserwaage, um zu prüfen, ob das Teil WM1 gerade ist.

4 Bohren Sie an den Markierungen die oberen Vorbohrungen.

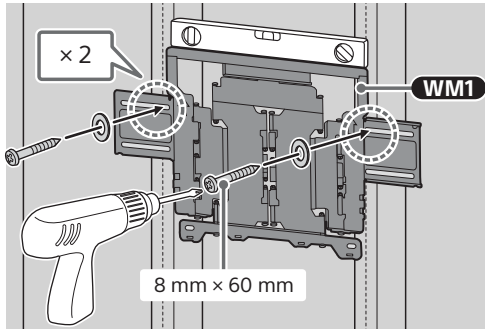
Stellen Sie sicher, dass die Position an der Wand, an der die Löcher gebohrt werden sollen, stark genug ist, um ein Gewicht von mindestens dem Sechsfachen des Fernsehgeräts zu tragen.



Hinweis

- Die Vorbohrungen müssen auf eine Tiefe von 75 mm mit einem Bohreinsatz mit einem Durchmesser von 5,5 mm gebohrt werden.

- 5 Bringen Sie **WM1** mit geeigneten Schrauben (nicht mitgeliefert) und Unterlegscheiben (nicht mitgeliefert) an der Wand an.



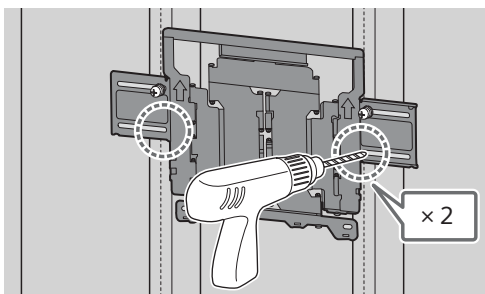
Hinweis

- Verwenden Sie eine Wasserwaage, um zu prüfen, ob das Teil **WM1** gerade ist.

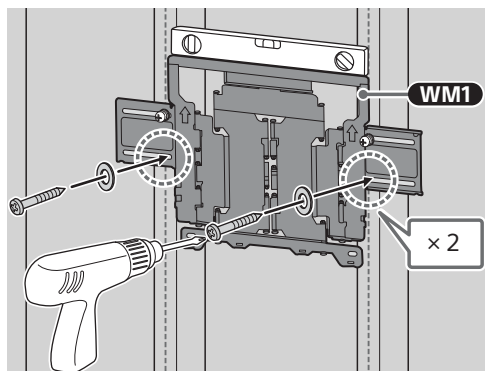
Vorsichtsmaßnahme

- Ziehen Sie die Holzschraube 8 mm x 60 mm nicht übermäßig fest. Ein unsachgemäßes Festziehen kann die Haltekraft der Holzschraube 8 mm x 60 mm reduzieren.

- 6 Bohren Sie an den Markierungen die unteren Vorbohrungen. (Beachten Sie die Bohranweisungen in Schritt 4.)



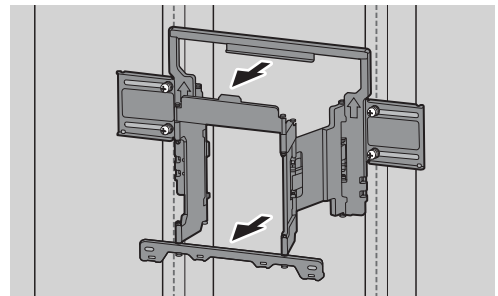
- 7 Setzen Sie geeignete Schrauben und Unterlegscheiben in die Bohrungen ein.



Hinweis

- Verwenden Sie eine Wasserwaage, um zu prüfen, ob das Teil **WM1** gerade ist.

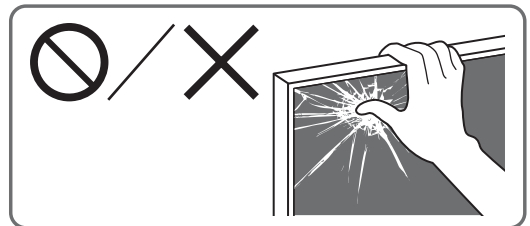
- 8 Ziehen Sie den Arm der Halterung bis zum Anschlag heraus.



Vorbereitung der Montage des Fernsehgeräts

Hinweis

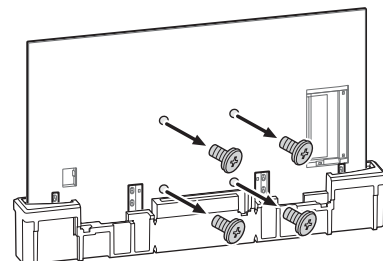
- Bewahren Sie die abgenommenen Schrauben und nicht verwendeten Teile unbedingt an einem sicheren, für Kinder nicht zugänglichen Ort auf.



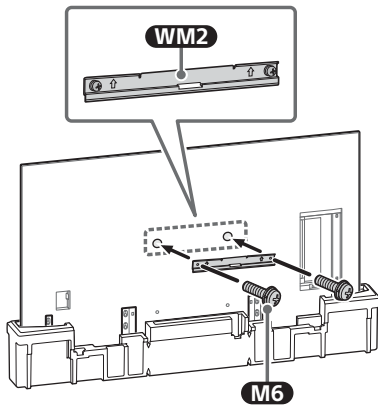
Montieren des Fernsehgeräts an der Wand direkt nach dem Auspacken*1

*1 Nur für bestimmte Regionen/Länder/Modelle.

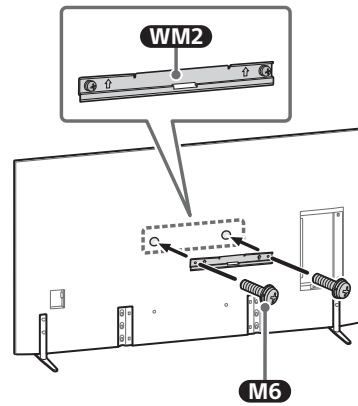
- 1 Entfernen Sie die Schrauben an der Rückseite des Fernsehgeräts.



2 Bringen Sie **WM2** mit **M6** am Fernseher an.

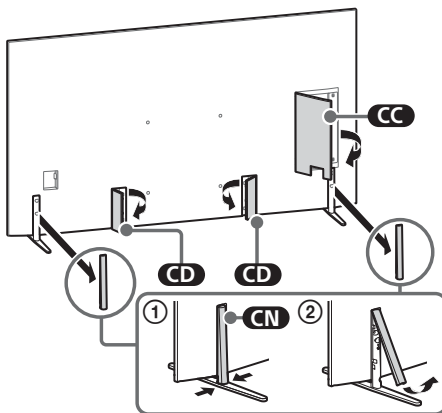


3 Bringen Sie **WM2** mit **M6** am Fernseher an.

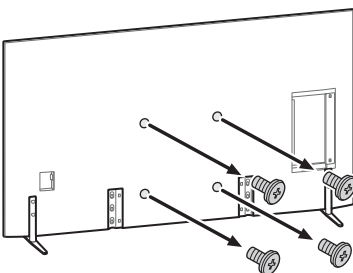


Montieren des Fernsehgeräts an der Wand vom Tischständer aus

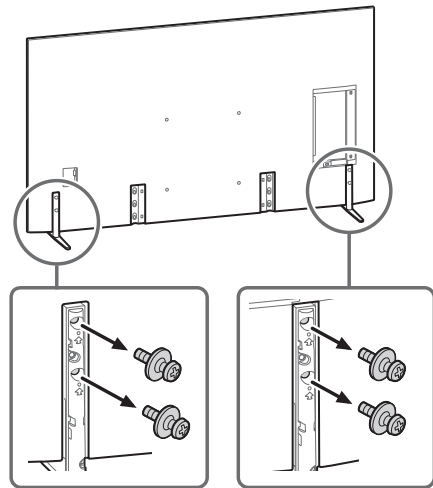
1 Entfernen Sie die Sockelabdeckungen und Anschlussabdeckungen.



2 Entfernen Sie die Schrauben an der Rückseite des Fernsehgeräts.



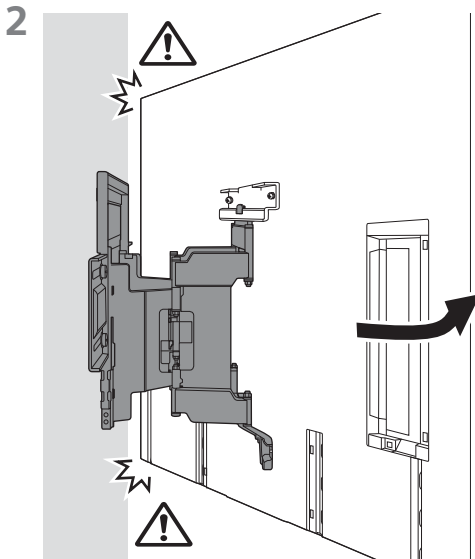
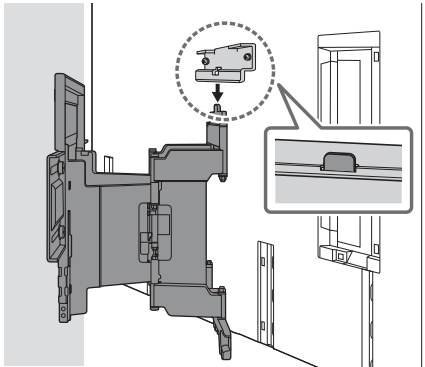
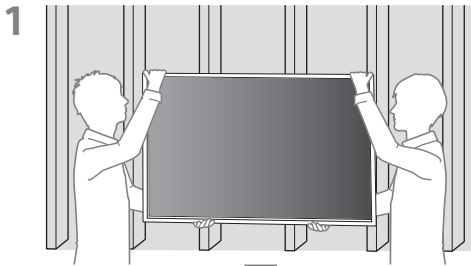
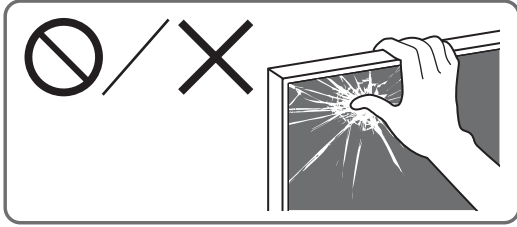
4 Nehmen Sie den Tischständer vom Fernsehgerät ab.



Hinweis

- Seien Sie vorsichtig, wenn Sie das Fernsehgerät anheben, da der Tischständer beim Abnehmen umkippen und Verletzungen verursachen kann.
- Achten Sie immer darauf, wenn Sie den Tischständer vom Fernsehgerät abnehmen, damit er nicht umkippt und die Oberfläche, auf der der Fernseher steht, beschädigt wird.

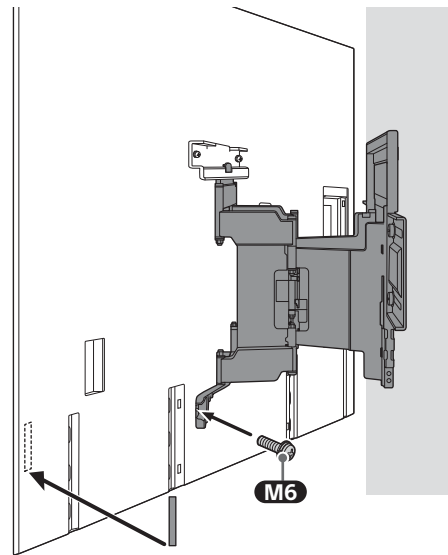
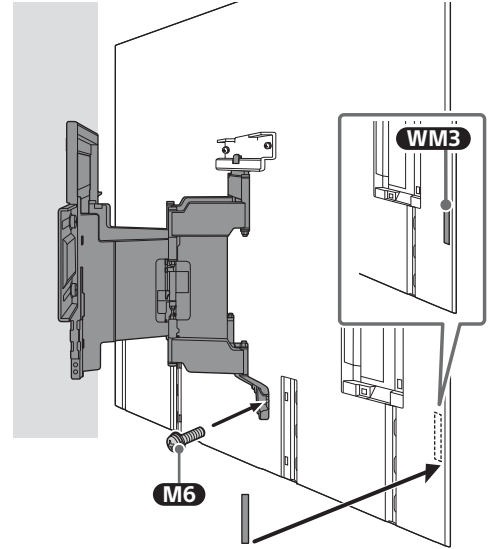
Montieren des Fernsehgeräts an der Wand



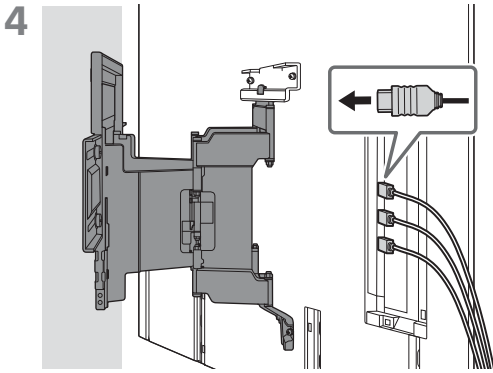
- 3 Schrauben Sie die linke und rechte Seite der Wandhalterung mittels **M6** an und befestigen Sie **WM3**.

Hinweis

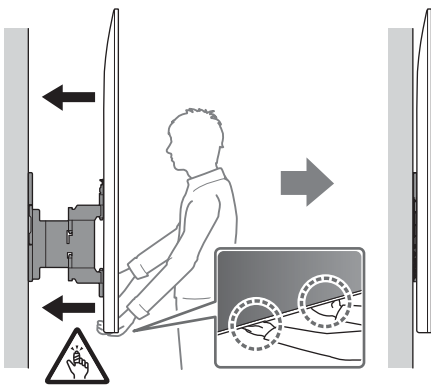
- Bringen Sie das **WM3** nicht über den Aufklebern an.



DE

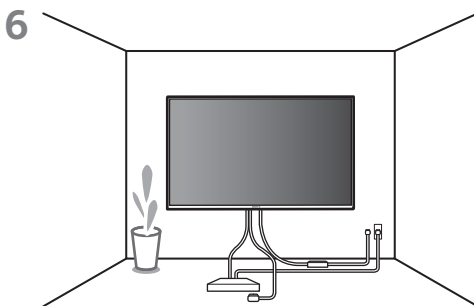


5 Wenn Sie das Fernsehgerät bewegen, halten Sie es gut an der Unterseite fest.



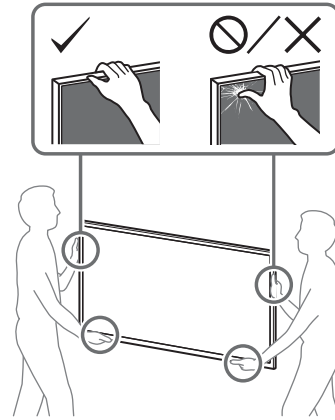
Hinweis

- Je nach Art und Anzahl der angeschlossenen Kabel lässt sich das Fernsehgerät möglicherweise nicht sehr nahe an der Wand anbringen. Dabei handelt es sich nicht um eine Fehlfunktion.



WARNUNG

- Zum Transport eines großen Fernsehgeräts sind zwei oder mehr Personen (drei oder mehr Personen für Fernsehgeräte von mehr als 189,3 cm (75 Zoll)) nötig (außer Ägypten).
Zum Transport eines großen Fernsehgeräts sind zwei oder mehr Personen (drei oder mehr Personen für Fernsehgeräte von mehr als 75 Zoll (189,3 cm)) nötig (nur Ägypten).



Überprüfen der abgeschlossenen Montage

Überprüfen Sie die folgenden Punkte.

- Die Kabel sind nicht verdreht oder eingeklemmt.

WARNUNG

- Eine unsachgemäße Platzierung des Netzkabels usw. kann zu einem Brand oder Stromschlag durch einen Kurzschluss führen. Achten Sie darauf, die Montage bei Abschluss zur Sicherheit zu überprüfen.

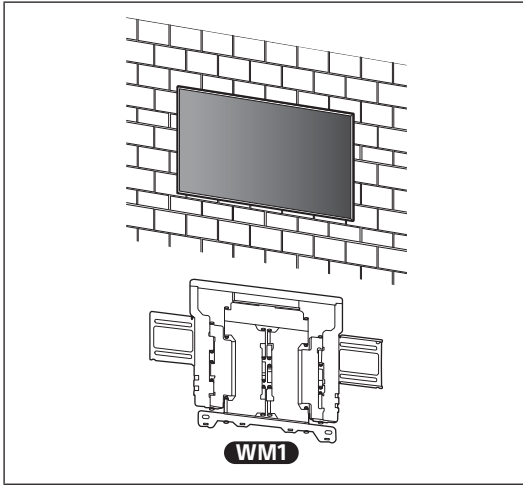
Sonstige Informationen

Führen Sie die Montageschritte in umgekehrter Reihenfolge durch, wenn Sie das Fernsehgerät abnehmen.

WARNUNG

- Zum Transport eines großen Fernsehgeräts sind zwei oder mehr Personen (drei oder mehr Personen für Fernsehgeräte von mehr als 189,3 cm (75 Zoll)) nötig (außer Ägypten).
Zum Transport eines großen Fernsehgeräts sind zwei oder mehr Personen (drei oder mehr Personen für Fernsehgeräte von mehr als 75 Zoll (189,3 cm)) nötig (nur Ägypten).

B Bringen Sie die Wandhalterung an der Massivbeton- oder Betonblocksteinwand an



Installation der Wandhalterung an der Wand

1 Legen Sie die Montageposition fest.

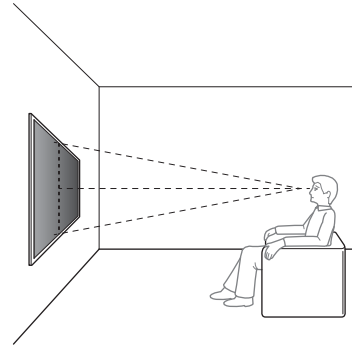
Stellen Sie sicher, dass an der Wand genug Platz für das Fernsehgerät ist und dass die Wand eine Tragfähigkeit von mindestens dem sechsfachen des Gewichts des Fernsehgeräts aufweist.

- Siehe „Maß für die Anbringung der Wandhalterung an der Wand“ auf Seite 19.
- In der Referenzanleitung zum Fernsehgerät finden Sie Informationen zum Gewicht des Fernsehgeräts.

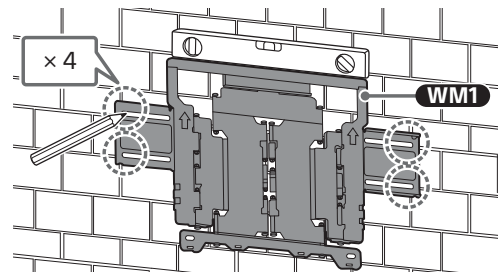
Hinweis

- Wenn das Fernsehgerät an der Wand montiert ist, ist die Oberkante des Fernsehgeräts leicht nach vorne geneigt.

- Wir empfehlen Ihnen, die Position des Fernsehgeräts in der entsprechenden Sitzposition zu prüfen.



2 Richten Sie **WM1** an der Wand aus und machen Sie vier Markierungen.

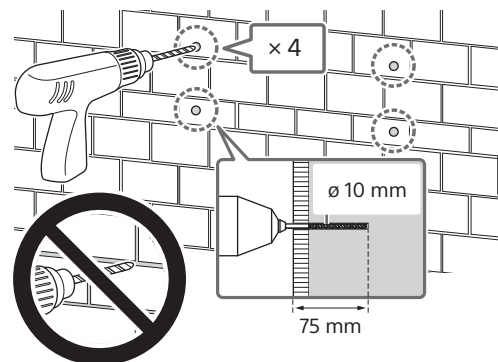


Hinweis

- Verwenden Sie eine Wasserwaage, um zu prüfen, ob das Teil **WM1** gerade ist.

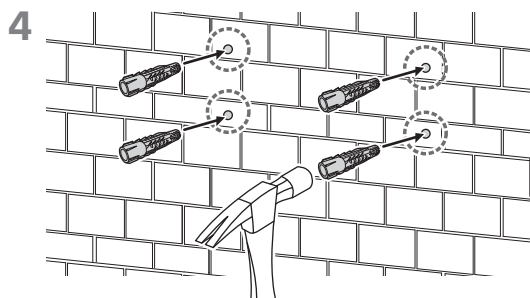
3 Bohren Sie Vorbohrungen an den markierten Stellen.

Stellen Sie sicher, dass die Position an der Wand, an der die Löcher gebohrt werden sollen, stark genug ist, um ein Gewicht von mindestens dem Sechsfachen des Fernsehgeräts zu tragen.

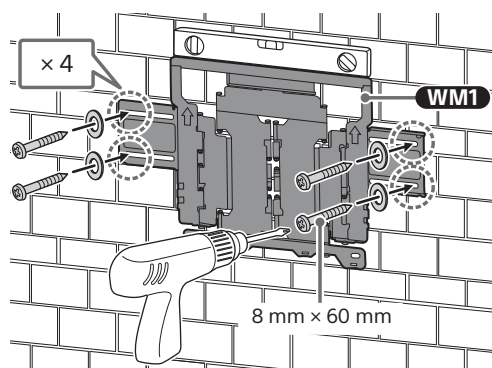


Hinweis

- Die Vorbohrungen müssen auf eine Tiefe von 75 mm mit einem Bohreinsatz mit einem Durchmesser von 10 mm gebohrt werden.



- 5 Bringen Sie **WM1** mit geeigneten Schrauben (nicht mitgeliefert) und Unterlegscheiben (nicht mitgeliefert) an der Wand an.



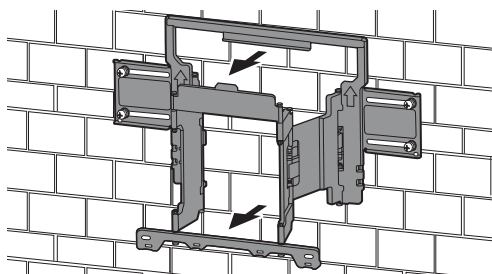
Hinweis

- Verwenden Sie eine Wasserwaage, um zu prüfen, ob das Teil **WM1** gerade ist.

Vorsichtsmaßnahme

- Ziehen Sie die Holzschraube 8 mm x 60 mm nicht übermäßig fest. Ein unsachgemäßes Festziehen kann die Haltekraft der Holzschraube 8 mm x 60 mm reduzieren.

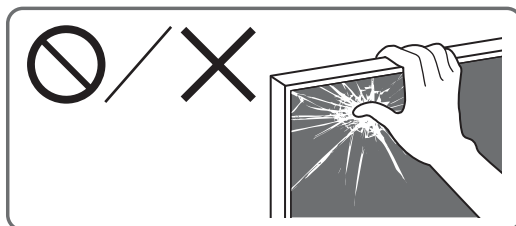
- 6 Ziehen Sie den Arm der Halterung bis zum Anschlag heraus.



Vorbereitung der Montage des Fernsehgeräts

Hinweis

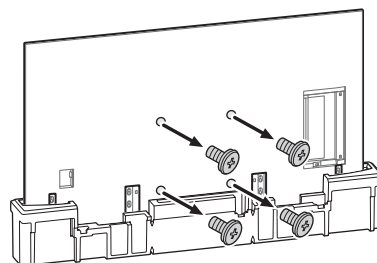
- Bewahren Sie die abgenommenen Schrauben und nicht verwendeten Teile unbedingt an einem sicheren, für Kinder nicht zugänglichen Ort auf.



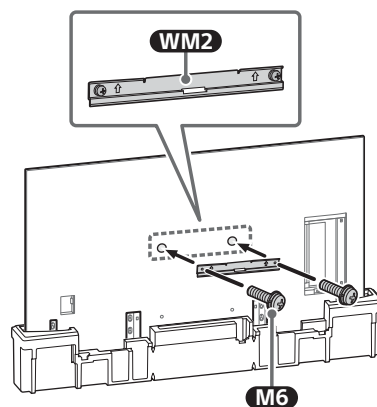
Montieren des Fernsehgeräts an der Wand direkt nach dem Auspacken*1

- *1 Nur für bestimmte Regionen/Länder/Modelle.

- 1 Entfernen Sie die Schrauben an der Rückseite des Fernsehgeräts.

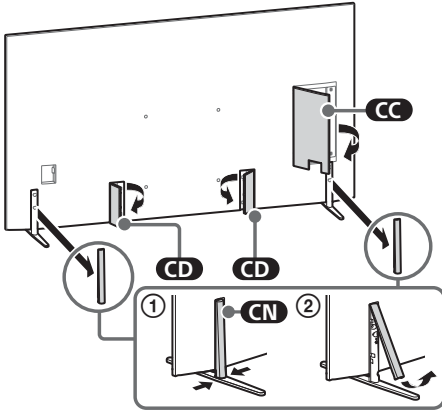


- 2 Bringen Sie **WM2** mit **M6** am Fernseher an.

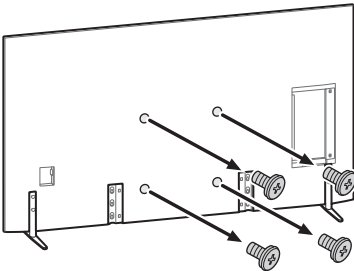


Montieren des Fernsehgeräts an der Wand vom Tischständer aus

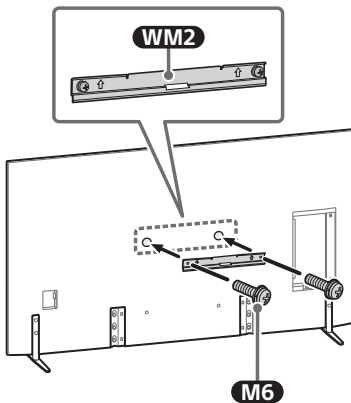
- 1 Entfernen Sie die Sockelabdeckungen und Anschlussabdeckungen.



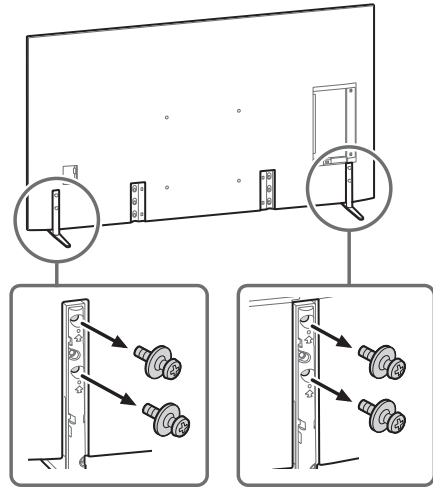
- 2 Entfernen Sie die Schrauben an der Rückseite des Fernsehgeräts.



- 3 Bringen Sie **WM2** mit **M6** am Fernseher an.



- 4 Nehmen Sie den Tischständer vom Fernsehgerät ab.

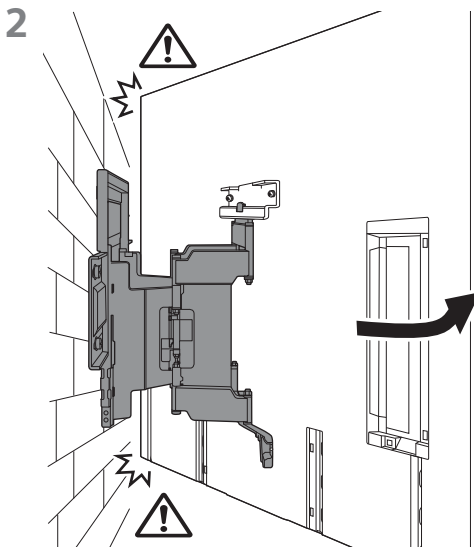
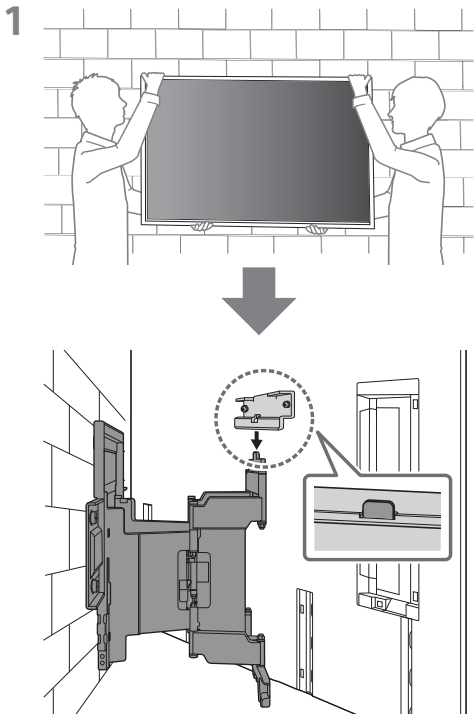
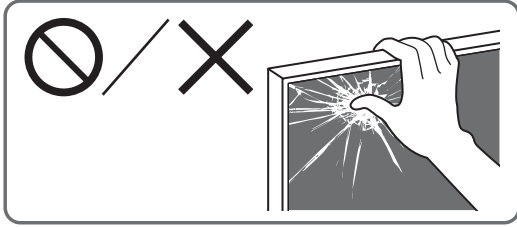


Hinweis

- Seien Sie vorsichtig, wenn Sie das Fernsehgerät anheben, da der Tischständer beim Abnehmen umkippen und Verletzungen verursachen kann.
- Achten Sie immer darauf, wenn Sie den Tischständer vom Fernsehgerät abnehmen, damit er nicht umkippt und die Oberfläche, auf der der Fernseher steht, beschädigt wird.

DE

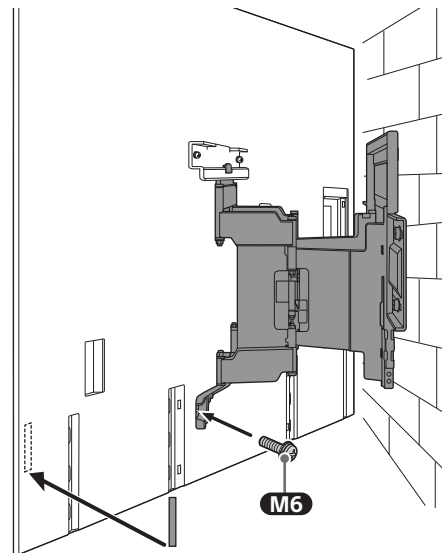
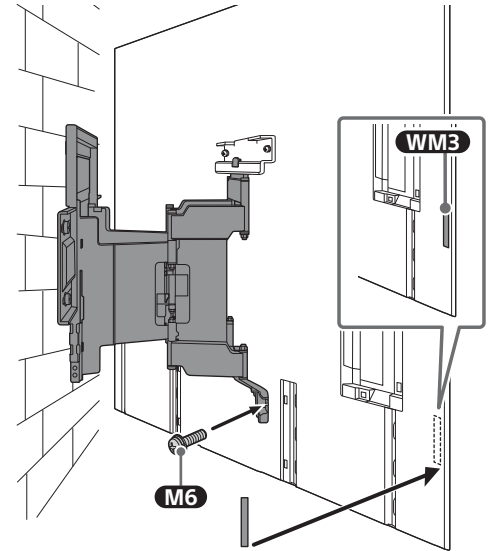
Montieren des Fernsehgeräts an der Wand

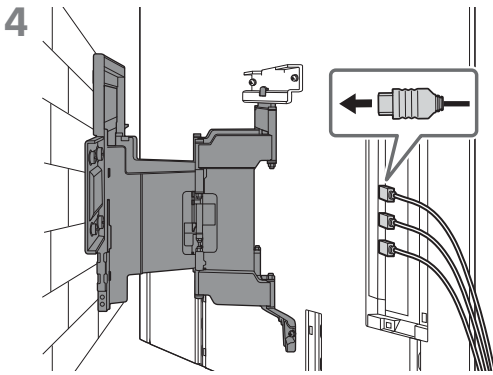


3 Schrauben Sie die linke und rechte Seite der Wandhalterung mittels **M6** an und befestigen Sie **WM3**.

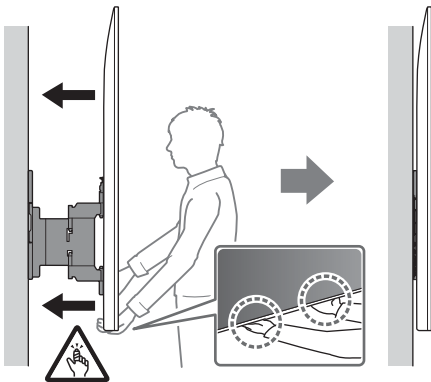
Hinweis

- Bringen Sie das **WM3** nicht über den Aufklebern an.



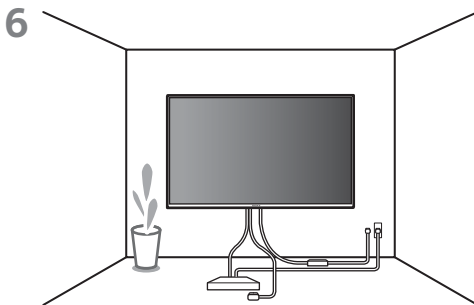


5 Wenn Sie das Fernsehgerät bewegen, halten Sie es gut an der Unterseite fest.



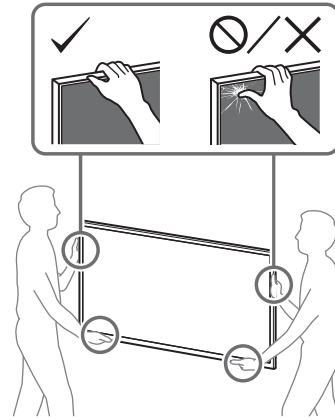
Hinweis

- Je nach Art und Anzahl der angeschlossenen Kabel lässt sich das Fernsehgerät möglicherweise nicht sehr nahe an der Wand anbringen. Dabei handelt es sich nicht um eine Fehlfunktion.



WARNUNG

- Zum Transport eines großen Fernsehgeräts sind zwei oder mehr Personen (drei oder mehr Personen für Fernsehgeräte von mehr als 189,3 cm (75 Zoll)) nötig (außer Ägypten).
Zum Transport eines großen Fernsehgeräts sind zwei oder mehr Personen (drei oder mehr Personen für Fernsehgeräte von mehr als 75 Zoll (189,3 cm)) nötig (nur Ägypten).



Überprüfen der abgeschlossenen Montage

Überprüfen Sie die folgenden Punkte.

- Die Kabel sind nicht verdreht oder eingeklemmt.

WARNUNG

- Eine unsachgemäße Platzierung des Netzkabels usw. kann zu einem Brand oder Stromschlag durch einen Kurzschluss führen. Achten Sie darauf, die Montage bei Abschluss zur Sicherheit zu überprüfen.

Sonstige Informationen

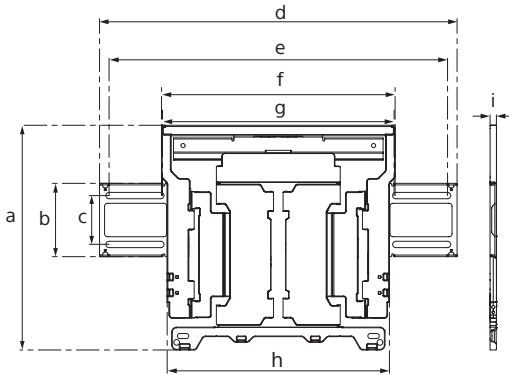
Führen Sie die Montageschritte in umgekehrter Reihenfolge durch, wenn Sie das Fernsehgerät abnehmen.

WARNUNG

- Zum Transport eines großen Fernsehgeräts sind zwei oder mehr Personen (drei oder mehr Personen für Fernsehgeräte von mehr als 189,3 cm (75 Zoll)) nötig (außer Ägypten).
Zum Transport eines großen Fernsehgeräts sind zwei oder mehr Personen (drei oder mehr Personen für Fernsehgeräte von mehr als 75 Zoll (189,3 cm)) nötig (nur Ägypten).

Technische Daten

WM1



Abmessungen: (ca.) [mm]

a : 354

b : 116

c : 77

d : 563

e : 533

f : 370

g : 368

h : 350

i : 11

Gewicht (nur Grundplatte): (ca.) [kg]

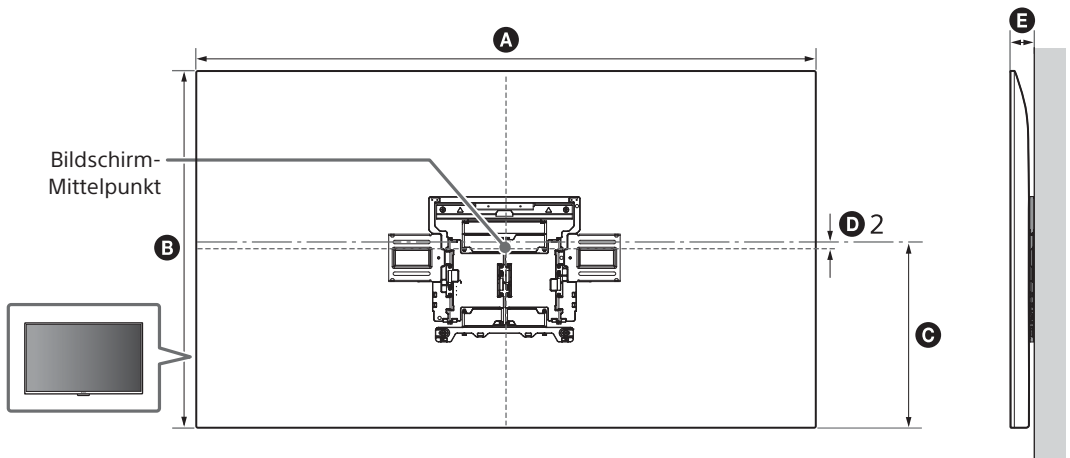
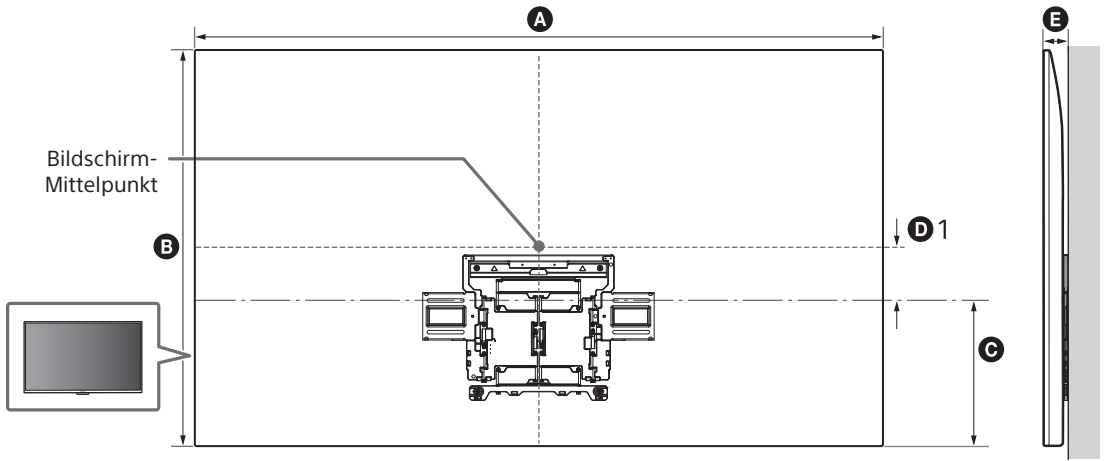
3,0

Design und technische Daten können ohne vorherige Ankündigung geändert werden.

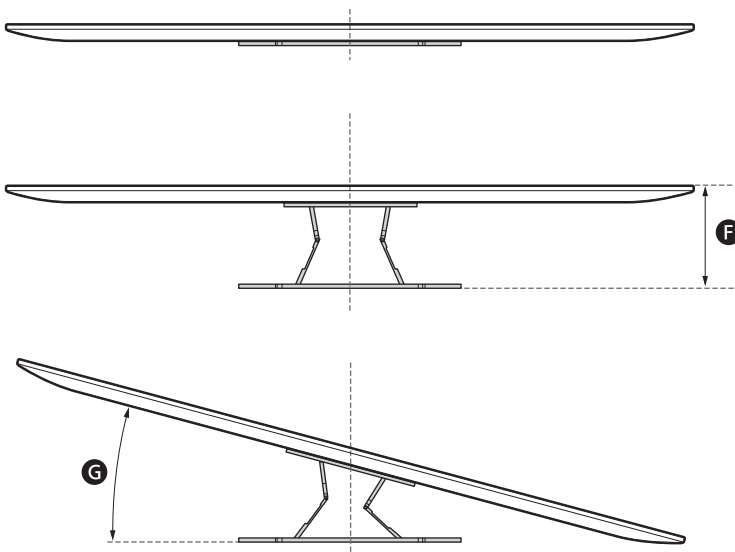
Referenzen

Maß für die Anbringung der Wandhalterung an der Wand

Die Angaben in der Tabelle können je nach Installation etwas variieren.



DE



(mm)

Modellbezeichnung	A	B	C	D 1	D 2	E	F ^{*1}	G ^{*1} (°)
K-77XR8x	1 713	984	362	139	-	48	251,4	12
K-65XR8x	1 442	829	362	57	-	48	250,8	17
K-55XR8x	1 223	706	362	-	3	48	250,8	19

*1 (ca.)

Installatie-informatie voor de Sony-wandmontagesteun (SU-WL850)

Ondersteunde modellen*1:

*1 In de werkelijke modelnamen staan in plaats van "x"/"xx" nummers en/of letters die voor elk model anders zijn.

K-77XR8x / 65XR8x / 55XR8x

Aan de klanten

Om het apparaat te beschermen en om veiligheidsredenen raadt Sony u met klem aan de televisie te laten installeren door een Sony-dealer of een erkende installateur. Probeer de installatie niet zelf uit te voeren.

Aan Sony-dealers en installateurs

Let goed op de veiligheid tijdens installatie, periodiek onderhoud en inspectie van dit product.

Voor de installatie van dit product is de nodige expertise vereist, met name om te bepalen of de muur sterk genoeg is om het gewicht van de televisie te dragen. Laat de installatie van dit product aan een muur uitvoeren door een Sony-dealer of een erkende installateur, en let goed op de veiligheid tijdens de installatie. Sony kan niet aansprakelijk worden gesteld voor schade of letsels als gevolg van een onjuiste behandeling of installatie.

Volg voor een veilige en juiste installatie de gebruiksaanwijzing van de wandmontagesteun, de installatiehandleiding van de televisie en de aanwijzingen in deze handleiding.

Wandmontagesteun

Veiligheid

Bedankt voor uw aankoop van dit product.

Aan de klanten

De tv aan de muur bevestigen



PROFESSIELE INSTALLATIE VEREIST

Dit product mag uitsluitend worden geïnstalleerd door een erkende installateur die kan bepalen of de wand sterk genoeg is voor het gewicht van de tv. Als de steun niet goed aan de wand bevestigd wordt, dan kan de tv vallen en ernstig letsel veroorzaken. Sony is niet aansprakelijk voor schade en/of letsel als gevolg van verkeerde behandeling of onjuiste installatie, of voor installaties anders dan het vermelde product. Uw wettelijke rechten (indien van toepassing) worden niet aangetast.

Aan Sony-dealers

Om dit product te kunnen installeren is afdoende deskundigheid nodig. Lees deze gebruiksaanwijzing aandachtig door zodat u de installatie veilig kunt uitvoeren. Sony is niet aansprakelijk voor schade of letsel als gevolg van onjuist handelen of een onjuiste installatie. Geef deze gebruiksaanwijzing aan de klant nadat het product is geïnstalleerd.

In deze gebruiksaanwijzing wordt beschreven hoe het product moet worden gebruikt en worden belangrijke voorzorgsmaatregelen gegeven die vereist zijn om ongelukken te voorkomen. Het is uw verantwoordelijkheid om deze gebruiksaanwijzing goed door te lezen, alles daarin te begrijpen en alle instructies daarin te volgen. Als u deze verantwoordelijkheid niet neemt, dan kan dat resulteren in ernstig persoonlijk letsel of schade aan eigendommen, en zal de garantie komen te vervallen. Bewaar deze gebruiksaanwijzing voor toekomstig gebruik.

Bij het ontwerpen van producten houdt Sony rekening met de veiligheid. Als de producten onjuist worden gebruikt, kan dit echter ernstige letsels veroorzaken als gevolg van brand, elektrische schokken, omvallen of laten vallen van het product. Houd rekening met de veiligheidsmaatregelen om dergelijke ongevallen te voorkomen.

OPGELET

Opgeven producten

Deze wandmontagesteun is geschikt voor gebruik met de opgegeven tv's. Voor televisies verwijzen we naar de referentiegids om na te gaan of de wandmontagesteun kan worden gebruikt.

Aan de klanten

WAARSCHUWING

Als u de volgende voorzorgsmaatregelen niet in acht neemt, kan dit leiden tot ernstige verwondingen of zelfs de dood ten gevolge van brand, elektrische schokken of het laten vallen van het product.

Besteed de installatie uit aan bevoegde installateurs en houd kleine kinderen uit de buurt tijdens de installatie.

Als de wandmontagesteun of de tv niet correct wordt geïnstalleerd, kunnen de volgende ongelukken zich voordoen. Zorg ervoor dat de installatie wordt uitgevoerd door bevoegde installateurs.

- De tv kan vallen en ernstige letsels veroorzaken, zoals kneuzingen of breuken.
- Als de muur waaraan de wandmontagesteun wordt bevestigd onstabiel of ongelijk is of niet loodrecht op de vloer staat, kan de steun vallen, met letsels of beschadiging van eigendommen tot gevolg. De wand dient sterk genoeg te zijn om minstens zesmaal het gewicht van de tv te kunnen dragen. (In de referentiegids van uw televisie vindt u het gewicht van uw televisie.)
- Als de wandmontagesteun niet stevig genoeg aan de muur wordt bevestigd, kan de steun vallen, met letsels of beschadiging van eigendommen tot gevolg.

Als u de tv wilt verplaatsen of van de steun wilt halen, moet u dit werk uitbesteden aan bevoegde installateurs.

Als andere personen dan bevoegde installateurs de tv verplaatsen of van de steun halen, kan de tv vallen, met letsels of beschadiging van eigendommen tot gevolg. Er zijn twee of meer personen (drie of meer personen voor een tv van 189,3 cm (75 inch) en groter) nodig om een groot tv-toestel te vervoeren (behalve Egypte). Er zijn twee of meer personen (drie of meer personen voor een tv van 75 inch (189,3 cm) en groter) nodig om een groot tv-toestel te vervoeren (alleen Egypte).

Verwijder de schroeven niet nadat de tv aan de steun is bevestigd.

Als u dit wel doet, kan de tv vallen, met letsels of beschadiging van eigendommen tot gevolg.

Breng geen aanpassingen aan de onderdelen van de wandmontagesteun aan.

Als u dit wel doet, kan de wandmontagesteun vallen, met letsels of beschadiging van eigendommen tot gevolg.

Installeer geen andere producten dan het opgegeven product.

Deze wandmontagesteun is alleen geschikt voor gebruik met het opgegeven product. Als u andere producten dan het opgegeven product gaat installeren, kan het vallen of breken, met letsels of beschadiging van eigendommen tot gevolg.

Bevestig geen ander gewicht dan de tv aan de wandmontagesteun. Schud de tv niet van links naar rechts of op en neer.

Als u dit wel doet, kan de tv vallen, met letsels of beschadiging van eigendommen tot gevolg.

Leun niet op en hang niet aan de tv.

Leun niet op en hang niet aan de tv. De tv kan op u vallen en ernstige letsels veroorzaken.

OPGELET

Als er geen rekening wordt gehouden met de volgende voorzorgsmaatregelen, kan dit letsel of beschadiging van eigendommen tot gevolg hebben.

- Pas op dat uw vingers niet bekneld raken wanneer u met de wandmontagesteun bezig bent of aan de tv-set draait.
- Wees altijd voorzichtig wanneer u de tv ronddraait zodat u geen omstaanders raakt.
- Bewaar de ongebruikte onderdelen op een veilige plaats voor later gebruik. Houd ze uit de buurt van kinderen.

Oefen niet te veel druk uit op het product als u dit reinigt of onderhoudt.

Oefen niet te veel druk uit op de bovenkant van de tv. Als u dit wel doet, kan de tv vallen, met letsels of beschadiging van eigendommen tot gevolg.

Plaats dit product niet dichtbij medische apparatuur.

Dit product (inclusief de accessoires) bevat magneten die de werking kunnen hinderen van pacemakers, programmeerbare shunt-ventielen voor de behandeling van hydrocefalie (waterhoofd), of andere medische apparatuur. Plaats dit product niet dichtbij mensen die dergelijke medische apparatuur gebruiken. Raadpleeg uw arts voordat u dit product gebruikt in het geval u dergelijke medische apparatuur gebruikt.

Houd buiten het bereik van kinderen of personen die onder toezicht staan.

Dit product (inclusief de accessoires) bevat magneten. Wanneer een magneet wordt ingeslikt, kan dit ernstige schade veroorzaken, zoals kans op verstikking of beschadiging van de darmen. In het geval één of meerdere magneten is ingeslikt, raadpleegt u onmiddellijk een arts.

Voorzorgsmaatregelen

- Als u de tv langere tijd gebruikt terwijl deze aan de wandmontagesteun is bevestigd, kan de muur achter of boven de tv verkleuren en kan het behang losraken, afhankelijk van het materiaal waarvan de muur is gemaakt.
- Als u de wandmontagesteun verwijdert nadat u deze aan de muur hebt bevestigd, dan blijven de schroefgaten zichtbaar.
- Gebruik de wandmontagesteun niet op plaatsen waar deze wordt blootgesteld aan mechanische trillingen.

De wandmontagesteun installeren

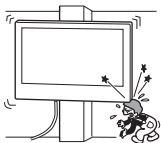
Aan Sony-dealers

WAARSCHUWING

De volgende instructies gelden enkel voor Sony-dealers. Lees zeker de bovenstaande veiligheidsmaatregelen en schenk extra aandacht aan de veiligheid tijdens de installatie, het onderhoud en de controle van dit product.

Installeer de wandmontagesteun niet op een muuroppervlak waarbij de hoeken of de zijkanten van de tv de wand niet raken.

Installeer de wandmontagesteun niet op muuroppervlakken, zoals een pilaar, waarbij de hoeken of de zijkanten van de tv de wand niet raken. Als een persoon of voorwerp tegen een uitstekende hoek of zijkant van de tv botst, kan dit letsels of beschadiging van eigendommen tot gevolg hebben.

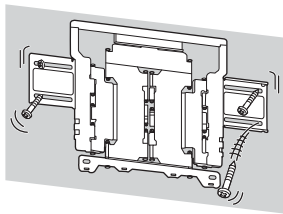


Installeer de tv niet boven of onder een airconditioner.

Als de tv voor langere tijd wordt blootgesteld aan waterlekkege of luchtcirculatie van een airconditioner, kan dit brand, elektrische schokken of een storing van de tv tot gevolg hebben.

Bevestig de wandmontagesteun stevig aan de muur volgens de instructies in deze gebruiksaanwijzing.

Als een van de schroeven los zit of valt, kan de wandmontagesteun vallen, met letsels of beschadiging van eigendommen tot gevolg. Zorg ervoor dat u de juiste schroeven gebruikt voor het type muur en bevestig het apparaat stevig met vier schroeven van 8 mm diameter (of gelijkwaardig).



Gebruik de bijgeleverde schroeven en montageonderdelen op de juiste manier volgens de instructies in deze gebruiksaanwijzing. Als u andere onderdelen gebruikt, kan de tv vallen, met lichamelijke letsels of beschadiging van de tv tot gevolg.

Zorg ervoor dat u de steun correct monteert volgens de instructies in deze gebruiksaanwijzing.

Als een van de schroeven los zit of valt, kan de tv vallen, met lichamelijke letsels of beschadiging van de tv tot gevolg.

Draai de schroeven stevig vast op de aangegeven plaats.

Als u dit niet doet, kan de tv vallen, met lichamelijke letsels of beschadiging van de tv tot gevolg.

Stel de tv niet bloot aan schokken tijdens de installatie.

Als de tv wordt blootgesteld aan schokken, kan die vallen of breken. Dit kan letsels tot gevolg hebben.

Bevestig de tv aan een vlakke muur die loodrecht op de vloer staat.

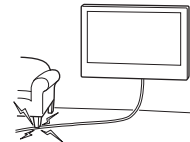
Als u dit niet doet, kan de tv vallen, met letsels tot gevolg.

Bundel de kabels goed samen na het installeren van de tv.

Als mensen of voorwerpen blijven hapieren aan de kabels, kan dit letsels of beschadiging van de tv tot gevolg hebben.

Zorg ervoor dat het netsnoer en de verbindingkabel niet geklemd raken.

Als het netsnoer of de verbindingkabel geklemd raakt tussen de steun en de muur of als een van beide met kracht gebogen of gedraaid is, kan de interne bedrading worden blootgelegd, waardoor er kortsluiting of een stroomonderbreking kan worden veroorzaakt. Dit kan brand of elektrische schokken tot gevolg hebben.



De schroeven die u nodig hebt om de wandmontagesteun te bevestigen, zijn niet bijgeleverd.

Gebruik voor het bevestigen van de wandmontagesteun schroeven die geschikt zijn voor het materiaal en de structuur van de muur.

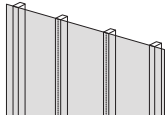
Voor u aan de slag gaat

- De illustraties van de tv die in deze handleiding worden getoond, zijn voorbeelden die worden gebruikt om de handelingen te verduidelijken. Daarom kunnen de afbeeldingen afwijken van uw werkelijke tv.

Waaruit bestaat de muur?

Ga eerst na aan welk type muur u de tv zult bevestigen.

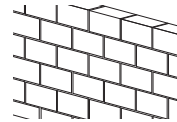
Gipsplaatwand met stijlen



Voorzorgsmaatregelen

- Maximale dikte van de gipsplaten: 16 mm.
- Zorg ervoor dat het formaat van de houten stijlen minstens 51 mm × 102 mm bedraagt voor normaal of 38 mm × 89 mm voor nominaal.
- Zorg voor minstens 406 mm horizontale afstand tussen de bevestigingsstukken.

Massief beton of betonstenen



Voorzorgsmaatregelen

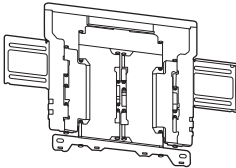



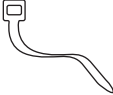
- Bevestig de wandmontagesteun rechtstreeks aan de muur uit massief beton.
- Zorg ervoor dat muur uit massief beton minstens 203 mm dik is.
- Zorg ervoor dat het formaat van elke betonsteen minstens 203 mm × 203 mm × 406 mm bedraagt.

NL

De onderdelen controleren



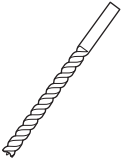
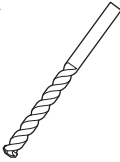
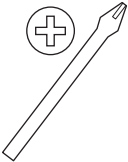
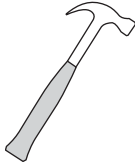
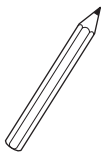

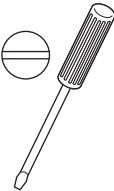




Bijgeleverd bij SU-WL850

- Ga na of alle onderdelen bijgeleverd zijn.

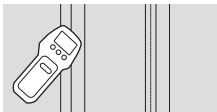
WM1 (x1) 	WM2 (x1) 	WM3 (x4) 
M6 (x4) 	WT1 (x6) 	

De voorbereidingen treffen voor de installatie

- Houd de referentieijds en de installatiehandleiding van de televisie bij de hand vóór de installatie.
- Bepaal waar u de tv zult installeren.
- Voorzie vier schroeven met een diameter van 8 mm en vier onderleggingen (niet bijgeleverd). Gebruik schroeven die geschikt zijn voor het materiaal van de muur.
- Bereid het volgende gereedschap voor:

*1 		 5,5 mm	 10 mm	
*2 		 1,5 N·m {15 kgf·cm}	*3  1,5 N·m {15 kgf·cm}	
	*2  (x4)	*4  (x4) 8 mm × 60 mm	*4  (x4)	

*1 Alleen voor gipsplaatwand met stijlen



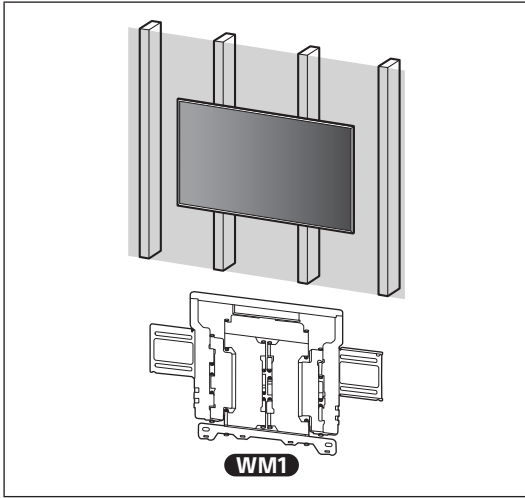
*2 Alleen voor massief beton en betonstenen

*3 Afhankelijk van de modellen

*4 Let op bij het kiezen van de schroeven en onderleggingen



A Bevestig de wandmontagesteun aan de gipsplaatwand met stijlen



De wandmontagesteun aan de wand bevestigen

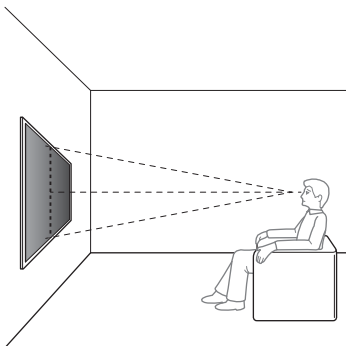
1 Bepaal de locatie van de installatie.

Voorzie voldoende ruimte voor de tv aan de muur en zorg ervoor dat deze minstens zesmaal het gewicht van de tv kan dragen.

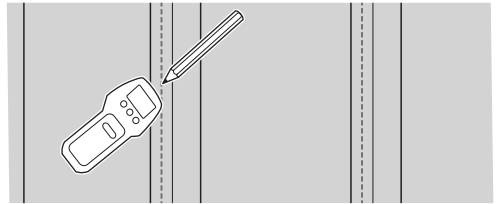
- Zie "Afmeting om de wandmontagesteun aan de wand te monteren" op pagina 18.
- Raadpleeg de referentieids van uw televisie voor het gewicht van uw televisie.

Opmerking

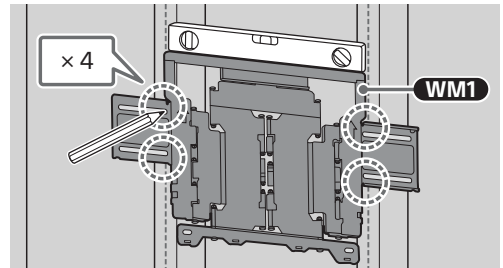
- Wanneer uw televisie aan een muur is bevestigd, helt de bovenzijde van de televisie licht naar voor.
- We adviseren om de positie van de tv in de kijkruimte te controleren.



2



3 Plaats WM1 horizontaal tegen de muur en breng vier markeringen aan ter hoogte van de stijlen.

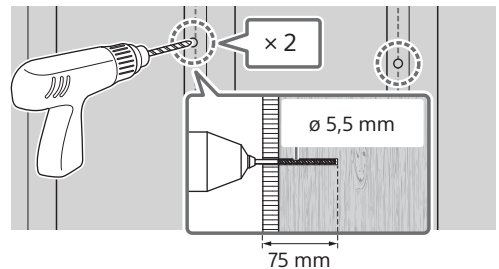


Opmerking

- Gebruik een waterpas om te controleren of WM1 waterpas is.

4 Boor gaten voor in de bovenste markeringen.

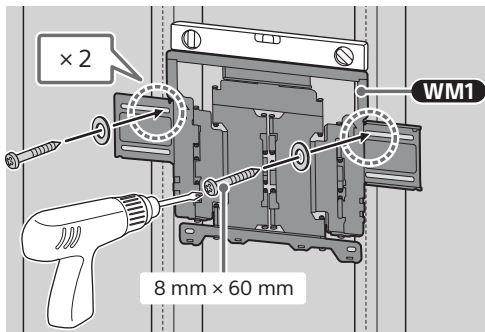
Wees er zeker van dat de plek op de muur waar u de gaten wilt boren sterk genoeg is om het gewicht van ten minste zes keer dat van de tv te dragen.



Opmerking

- De voorgeboorde gaten moeten 75 mm diep zijn en een diameter van 5,5 mm hebben.

- 5 Bevestig **WM1** aan de muur met behulp van geschikte schroeven (niet bijgeleverd) en onderleggingen (niet bijgeleverd).



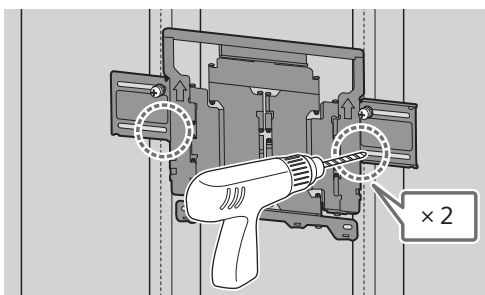
Opmerking

- Gebruik een waterpas om te controleren of **WM1** waterpas is.

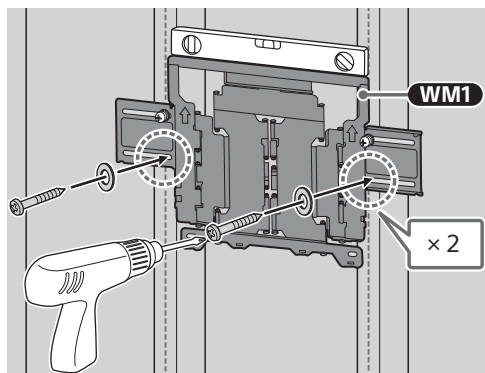
Voorzichtig

- Houten schroef 8 mm x 60 mm niet te vast aandraaien. Incorrect aandraaien kan de houdkracht van de houten schroef 8 mm x 60 mm verminderen.

- 6 Boor gaten voor in de onderste markeringen. (Zie stap 4 voor de boorinstructies.)



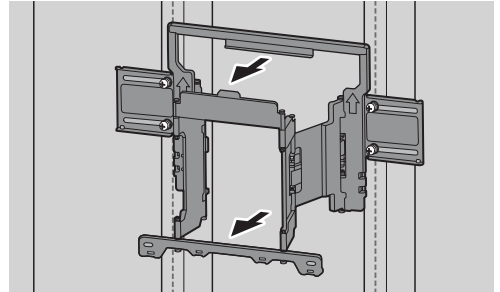
- 7 Breng gepaste schroeven en onderleggingen aan in de openingen.



Opmerking

- Gebruik een waterpas om te controleren of **WM1** waterpas is.

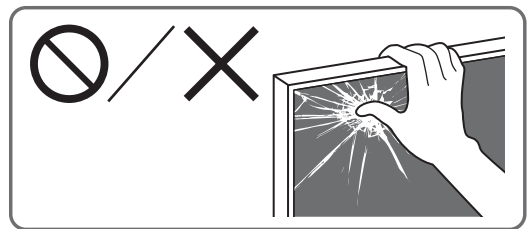
- 8 Trek de arm van de steun volledig uit.



De installatie van de tv voorbereiden

Opmerking

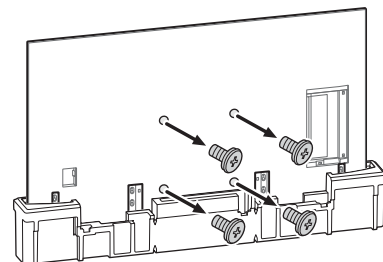
- Bewaar de verwijderde schroeven en ongebruikte onderdelen op een veilige plaats waar kinderen er niet bij kunnen.



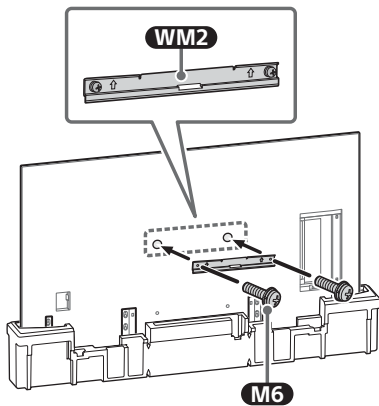
De tv op de wand installeren vanuit de doos*1

- *1 Beperkt tot bepaalde regio's/landen/modellen.

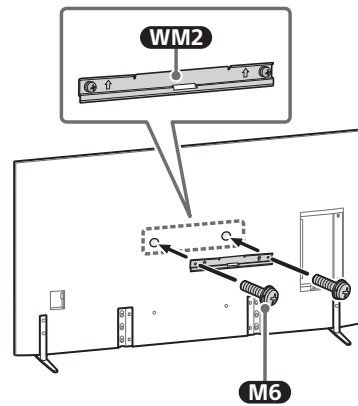
- 1 Verwijder de schroeven aan de achterkant van de televisie.



- 2 Bevestig **WM2** aan de TV met behulp van **M6**.

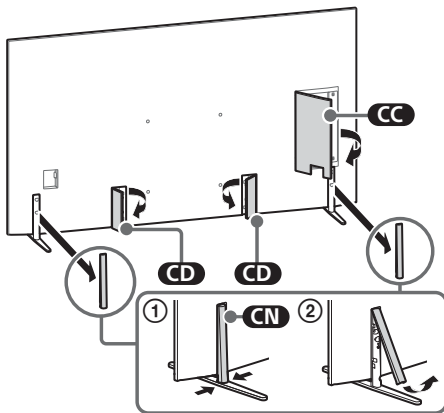


- 3 Bevestig **WM2** aan de TV met behulp van **M6**.

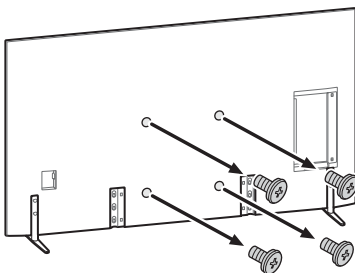


De tv op de wand installeren vanaf de tafelstandaard

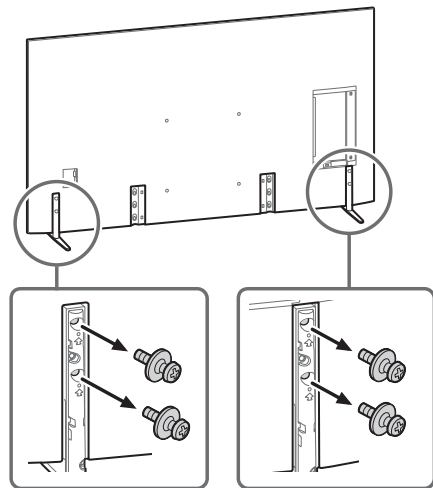
- 1 Verwijder de beschermkap van de standaard en de aansluitingen.



- 2 Verwijder de schroeven aan de achterkant van de televisie.



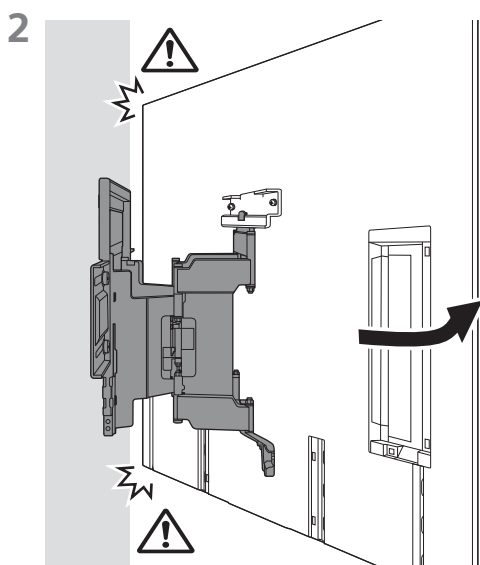
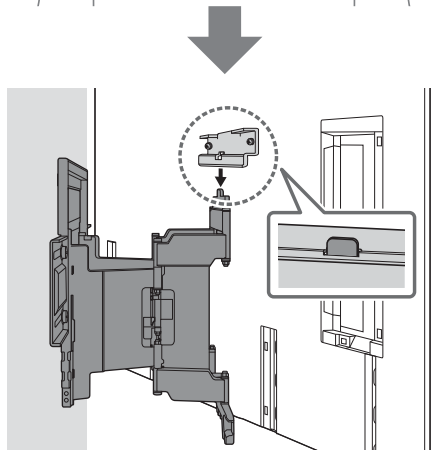
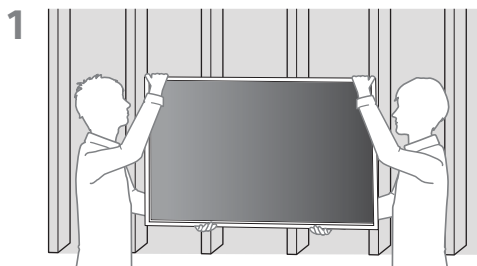
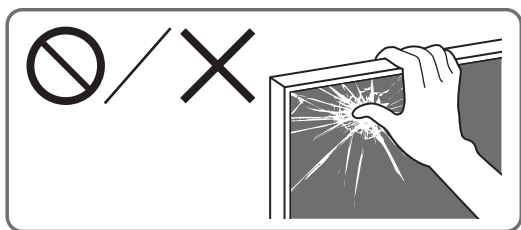
- 4 Maak de tafelstandaard los van de televisie.



Opmerking

- Wees voorzichtig bij het optillen van de tv als de tafelstandaard gedemonteerd is, omdat de tafelstandaard kan omvallen en dit persoonlijk letsel tot gevolg kan hebben.
- Wees voorzichtig bij het verwijderen van de tafelstandaard van de tv en voorkom dat deze omvalt en het oppervlak waar de tv op staat beschadigt.

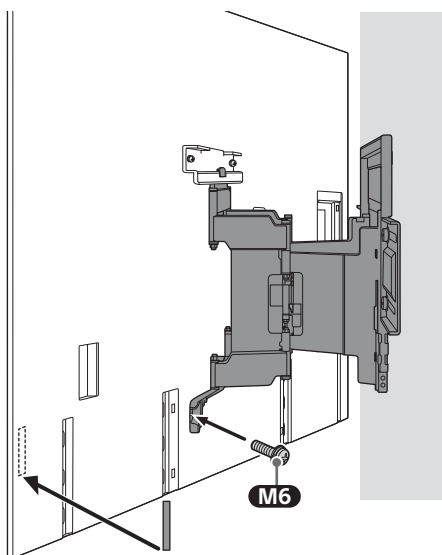
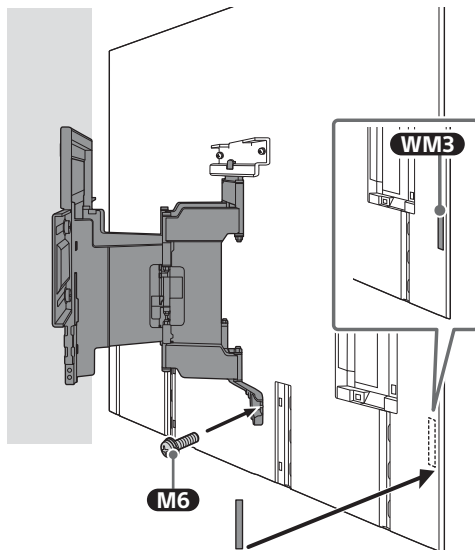
De tv aan de muur bevestigen

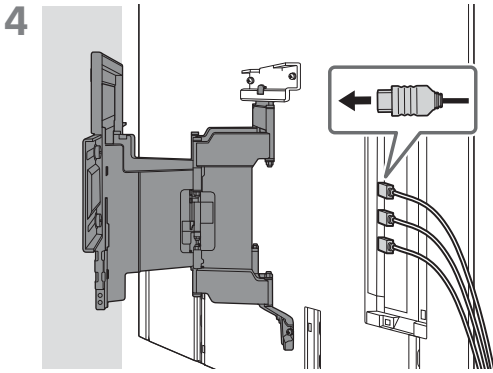


3 Schroef de linker- en rechterkant van de wandmontagesteun met **M6** vast en bevestig **WM3**.

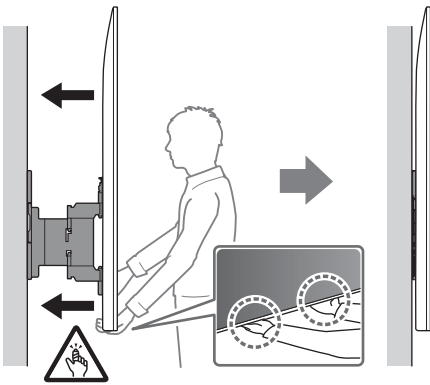
Opmerking

- Bevestig **WM3** niet op de labels.



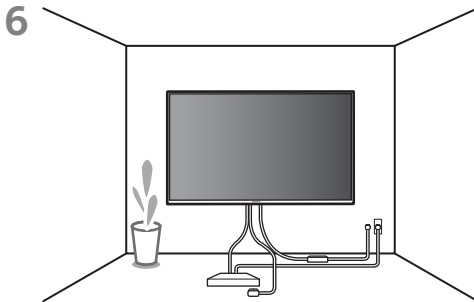


5 Houd de tv tijdens het verplaatsen ervan stevig aan de onderkant vast.



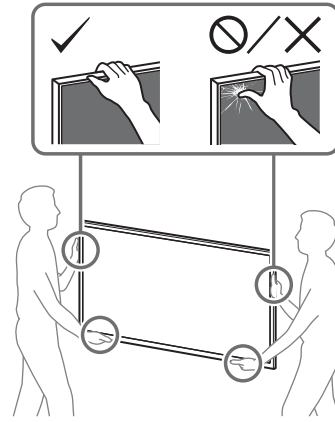
Opmerking

- De tv mag niet te dicht in de buurt van de muur komen, afhankelijk van het type en het aantal aangesloten kabels. Dit is geen storing.



WAARSCHUWING

- Er zijn twee of meer personen (drie of meer personen voor een tv van 189,3 cm (75 inch) en groter) nodig om een groot tv-toestel te vervoeren (behalve Egypte). Er zijn twee of meer personen (drie of meer personen voor een tv van 75 inch (189,3 cm) en groter) nodig om een groot tv-toestel te vervoeren (alleen Egypte).



De installatie controleren

Controleer de volgende punten.

- Het snoer en de kabel zijn niet verstrengeld of gekneld.

WAARSCHUWING

- Een fout aangesloten netsnoer enz. kan door een kortsluiting brand of elektrische schokken veroorzaken. Controleer altijd achteraf de installatie om zeker te zijn dat alles veilig is.

Extra informatie

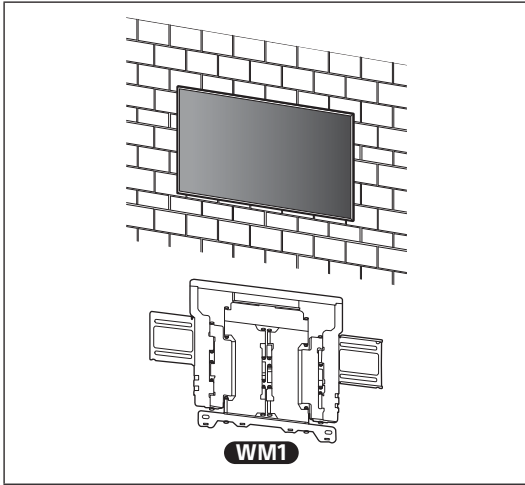
Voer de hiervoor beschreven installatieprocedure omgekeerd uit om de tv van de muur te verwijderen.

WAARSCHUWING

- Er zijn twee of meer personen (drie of meer personen voor een tv van 189,3 cm (75 inch) en groter) nodig om een groot tv-toestel te vervoeren (behalve Egypte). Er zijn twee of meer personen (drie of meer personen voor een tv van 75 inch (189,3 cm) en groter) nodig om een groot tv-toestel te vervoeren (alleen Egypte).

NL

B De wandmontagesteun bevestigen aan massief beton of betonstenen



De wandmontagesteun aan de wand bevestigen

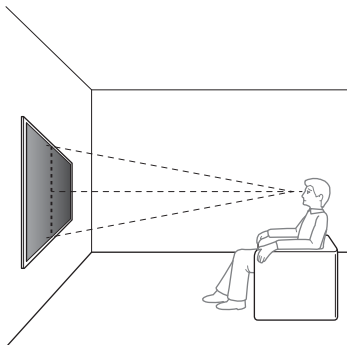
1 Bepaal de locatie van de installatie.

Voorzie voldoende ruimte voor de tv aan de muur en zorg ervoor dat deze minstens zesmaal het gewicht van de tv kan dragen.

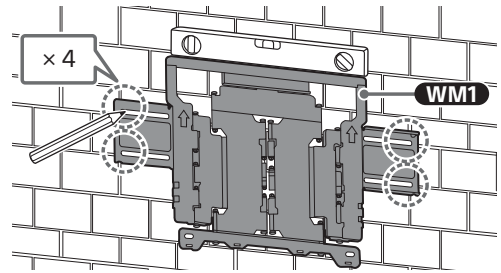
- Zie "Afmeting om de wandmontagesteun aan de wand te monteren" op pagina 18.
- Raadpleeg de referentiegids van uw televisie voor het gewicht van uw televisie.

Opmerking

- Wanneer uw televisie aan een muur is bevestigd, helt de bovenzijde van de televisie licht naar voor.
- We adviseren om de positie van de tv in de kijkruimte te controleren.



2 Plaats WM1 horizontaal tegen de muur en breng vier markeringen aan.

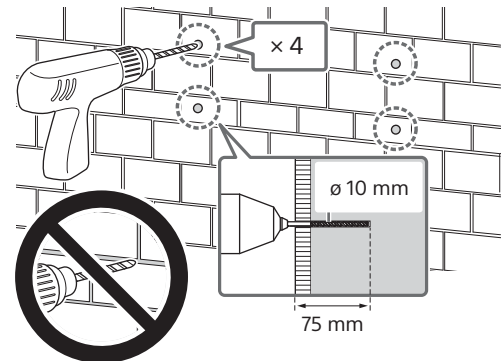


Opmerking

- Gebruik een waterpas om te controleren of WM1 waterpas is.

3 Boor proefgaten op de markeerpunten.

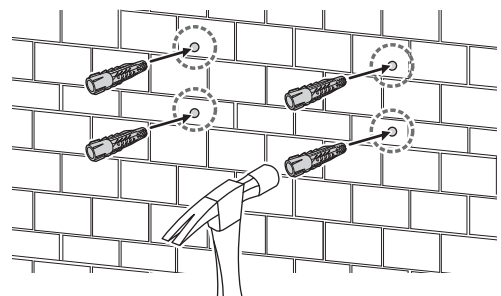
Wees er zeker van dat de plek op de muur waar u de gaten wilt boren sterk genoeg is om het gewicht van ten minste zes keer dat van de tv te dragen.



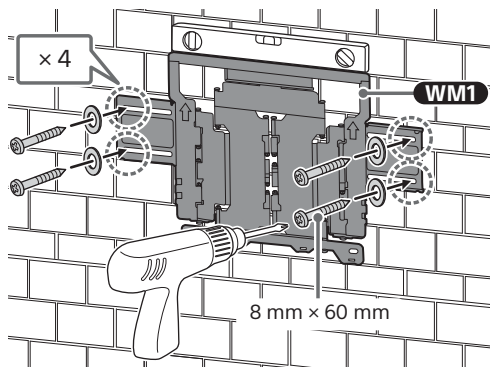
Opmerking

- De vorgeboorde gaten moeten 75 mm diep zijn en een diameter van 10 mm hebben.

4



- 5 Bevestig **WM1** aan de muur met behulp van geschikte schroeven (niet bijgeleverd) en onderleggingen (niet bijgeleverd).



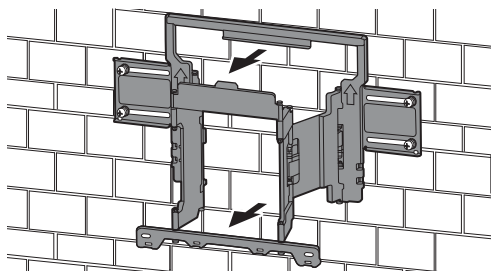
Opmerking

- Gebruik een waterpas om te controleren of **WM1** waterpas is.

Voorzichtig

- Houten schroef 8 mm x 60 mm niet te vast aandraaien. Incorrect aandraaien kan de houdkracht van de houten schroef 8 mm x 60 mm verminderen.

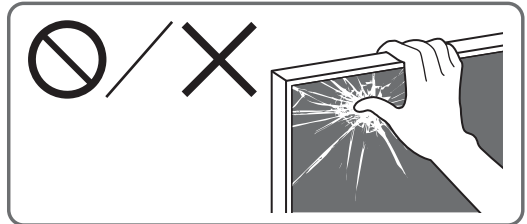
- 6 Trek de arm van de steun volledig uit.



De installatie van de tv voorbereiden

Opmerking

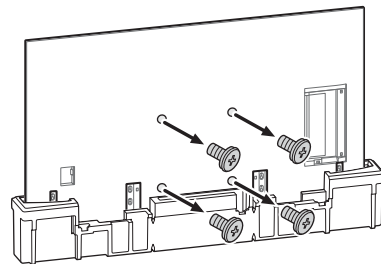
- Bewaar de verwijderde schroeven en ongebruikte onderdelen op een veilige plaats waar kinderen er niet bij kunnen.



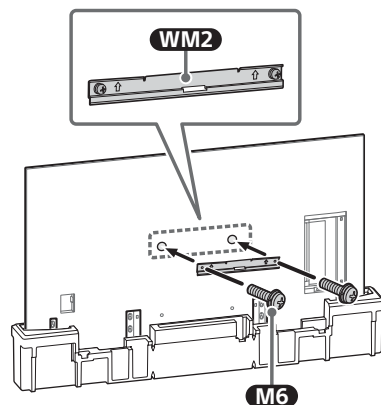
De tv op de wand installeren vanuit de doos*1

- *1 Beperkt tot bepaalde regio's/landen/modellen.

- 1 Verwijder de schroeven aan de achterkant van de televisie.

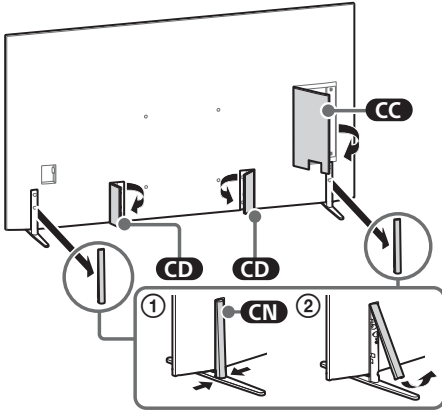


- 2 Bevestig **WM2** aan de TV met behulp van **M6**.

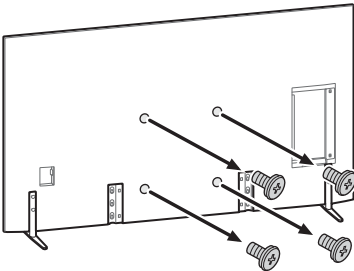


De tv op de wand installeren vanaf de tafelstandaard

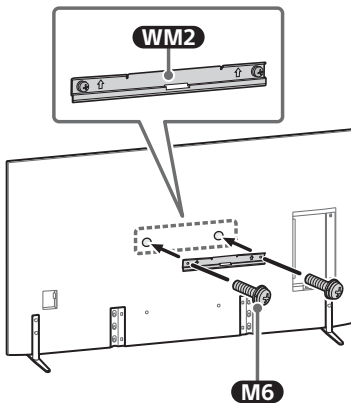
- 1 Verwijder de beschermkap van de standaard en de aansluitingen.



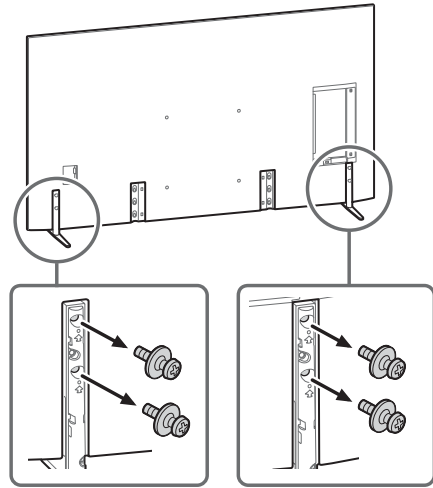
- 2 Verwijder de schroeven aan de achterkant van de televisie.



- 3 Bevestig **WM2** aan de TV met behulp van **M6**.



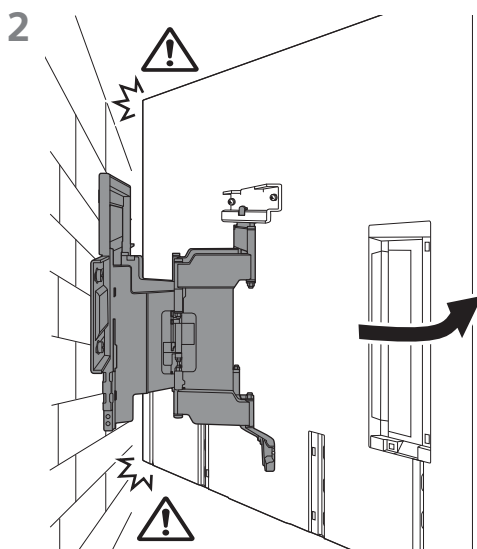
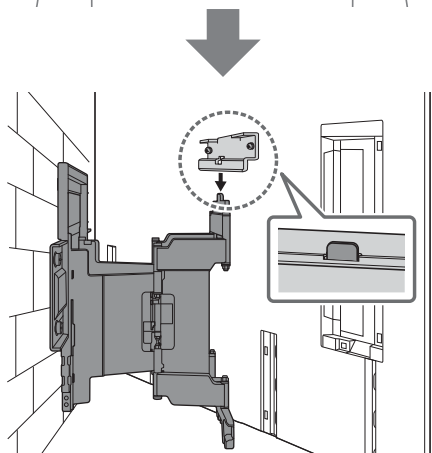
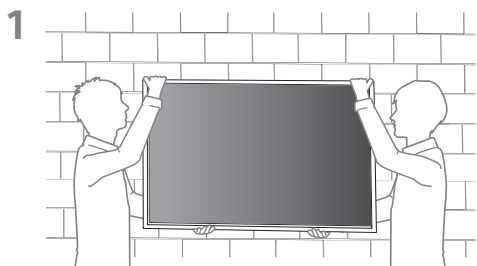
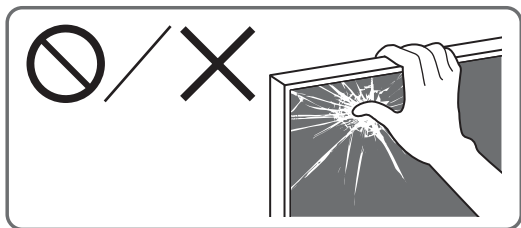
- 4 Maak de tafelstandaard los van de televisie.



Opmerking

- Wees voorzichtig bij het optillen van de tv als de tafelstandaard gedemonteerd is, omdat de tafelstandaard kan omvallen en dit persoonlijk letsel tot gevolg kan hebben.
- Wees voorzichtig bij het verwijderen van de tafelstandaard van de tv en voorkom dat deze omvalt en het oppervlak waar de tv op staat beschadigt.

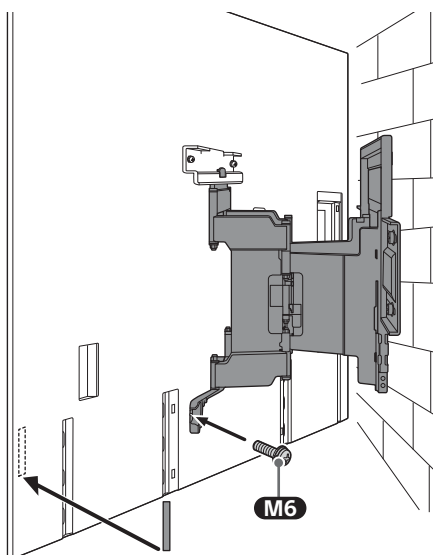
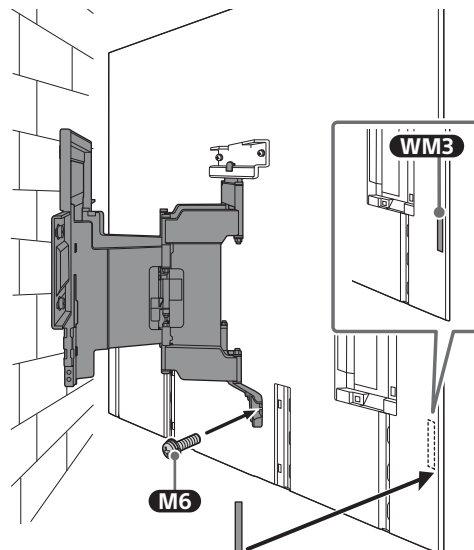
De tv aan de muur bevestigen



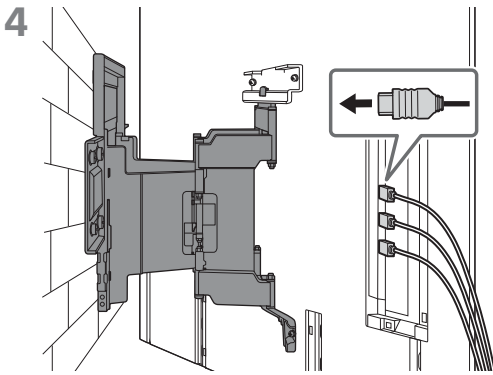
3 Schroef de linker- en rechterkant van de wandmontagesteun met **M6** vast en bevestig **WM3**.

Opmerking

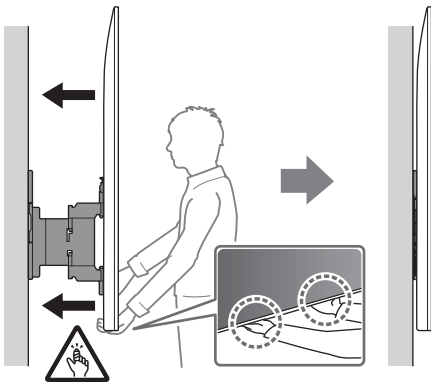
- Bevestig **WM3** niet op de labels.



NL

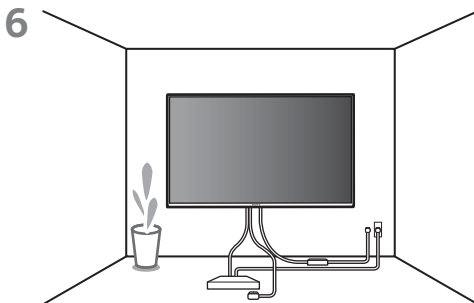


5 Houd de tv tijdens het verplaatsen ervan stevig aan de onderkant vast.



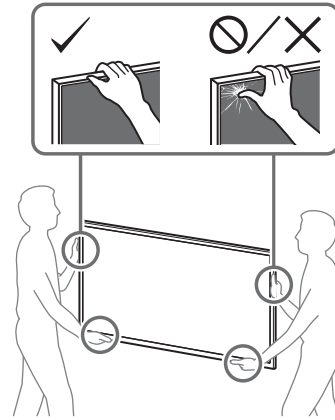
Opmerking

- De tv mag niet te dicht in de buurt van de muur komen, afhankelijk van het type en het aantal aangesloten kabels. Dit is geen storing.



WAARSCHUWING

- Er zijn twee of meer personen (drie of meer personen voor een tv van 189,3 cm (75 inch) en groter) nodig om een groot tv-toestel te vervoeren (behalve Egypte). Er zijn twee of meer personen (drie of meer personen voor een tv van 75 inch (189,3 cm) en groter) nodig om een groot tv-toestel te vervoeren (alleen Egypte).



De installatie controleren

Controleer de volgende punten.

- Het snoer en de kabel zijn niet verstrengeld of gekneld.

WAARSCHUWING

- Een fout aangesloten netsnoer enz. kan door een kortsluiting brand of elektrische schokken veroorzaken. Controleer altijd achteraf de installatie om zeker te zijn dat alles veilig is.

Extra informatie

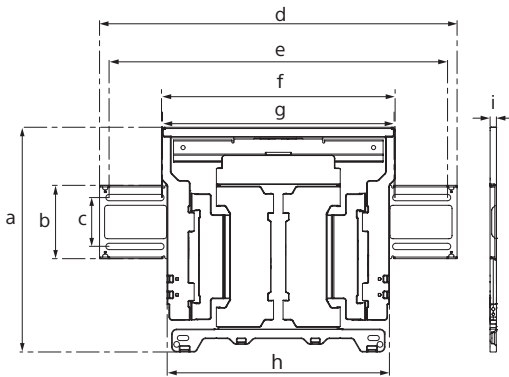
Voer de hiervoor beschreven installatieprocedure omgekeerd uit om de tv van de muur te verwijderen.

WAARSCHUWING

- Er zijn twee of meer personen (drie of meer personen voor een tv van 189,3 cm (75 inch) en groter) nodig om een groot tv-toestel te vervoeren (behalve Egypte). Er zijn twee of meer personen (drie of meer personen voor een tv van 75 inch (189,3 cm) en groter) nodig om een groot tv-toestel te vervoeren (alleen Egypte).

Technische gegevens

WM1



Afmetingen: (ong.) [mm]

a : 354

b : 116

c : 77

d : 563

e : 533

f : 370

g : 368

h : 350

i : 11

Gewicht (alleen voet): (ong.) [kg]

3,0

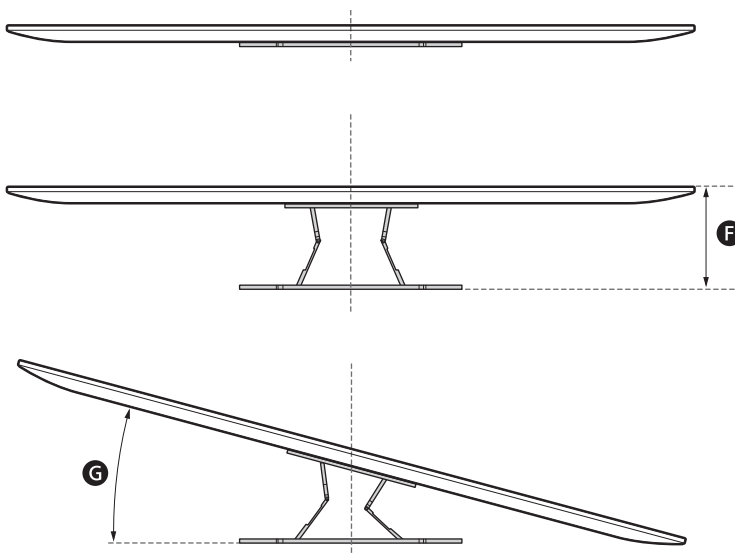
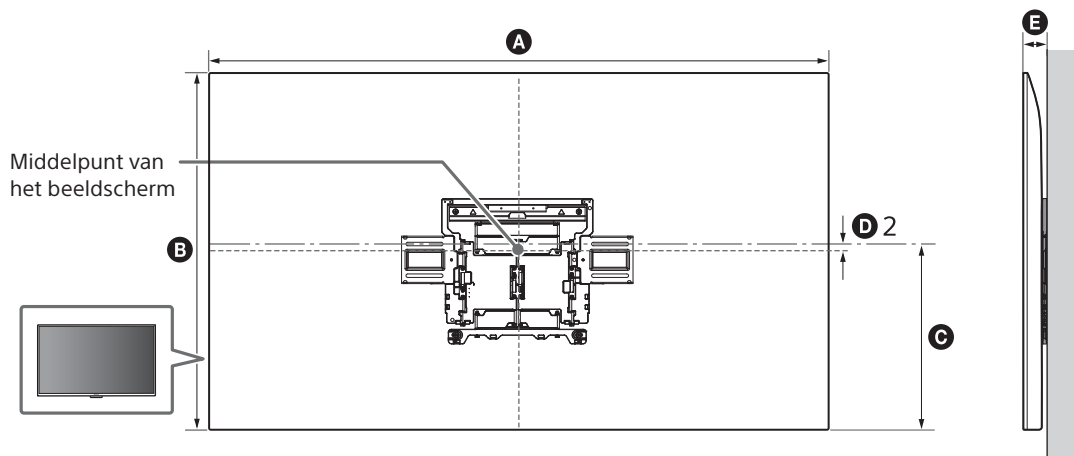
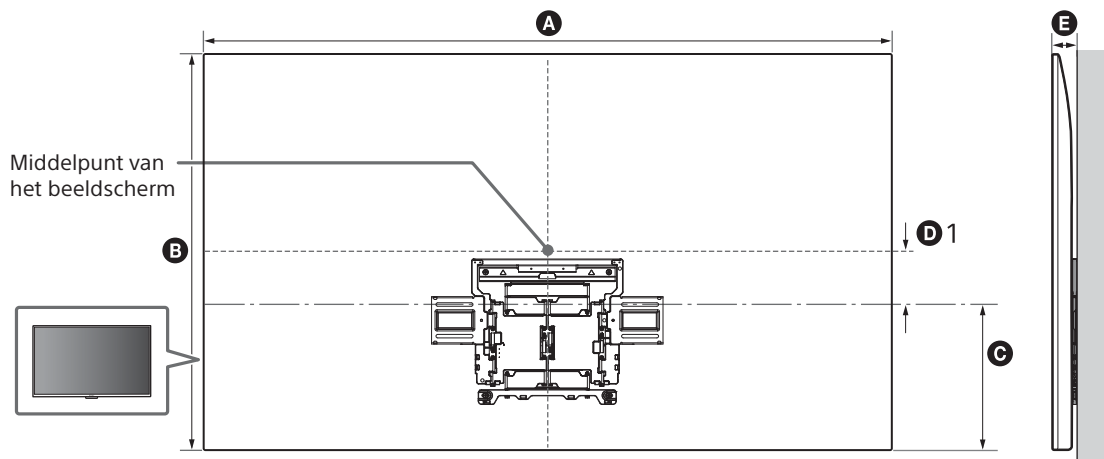
Wijzigingen aan het ontwerp en de technische gegevens zijn voorbehouden zonder kennisgeving.

NL

Referenties

Afmeting om de wandmontagesteun aan de wand te monteren

De waarden in de tabel kunnen licht afwijken afhankelijk van de installatie.



(mm)

Modelnaam	A	B	C	D 1	D 2	E	F ^{*1}	G ^{*1} (°)
K-77XR8x	1 713	984	362	139	-	48	251,4	12
K-65XR8x	1 442	829	362	57	-	48	250,8	17
K-55XR8x	1 223	706	362	-	3	48	250,8	19

*1 (ong.)

NL

Informazioni sull'installazione per l'utilizzo della staffa di montaggio a parete Sony (SU-WL850)

Modelli supportati*1:

*1 Nei nomi dei modelli, "x"/"xx" indica numeri e/o caratteri utilizzati per designare i singoli modelli.

K-77XR8x / 65XR8x / 55XR8x

Ai Clienti

Per la protezione del prodotto e per motivi di sicurezza, Sony consiglia caldamente di far realizzare l'installazione del televisore da rivenditori Sony o distributori autorizzati. Non cercare di installarlo da soli.

Per i rivenditori e gli installatori Sony

Prestare particolare attenzione alle misure di sicurezza durante l'installazione, la manutenzione periodica e la revisione del presente prodotto.

Per l'installazione di questo prodotto è necessaria una certa esperienza, soprattutto per stabilire la resistenza del muro che dovrebbe sostenere il peso del televisore. Affidare il lavoro di collocazione di questo prodotto a parete a rivenditori Sony o a distributori autorizzati e prestare l'attenzione necessaria alla sicurezza durante l'installazione. Sony non si assume alcuna responsabilità in caso di danni o ferite causate da una gestione non adeguata o da un'installazione scorretta.

Per un'installazione sicura e corretta, seguire le istruzioni per l'uso della staffa di montaggio a parete, la guida di installazione del televisore e le istruzioni contenute nel presente manuale.

Staffa di montaggio a parete

Informazioni sulla sicurezza

Grazie per aver acquistato questo prodotto.

Ai Clienti

Installazione del televisore a parete



AVVERTENZA

INSTALLAZIONE PROFESSIONALE NECESSARIA

Il presente prodotto deve essere installato esclusivamente da un professionista qualificato, in grado di verificare se la parete è sufficientemente solida da sostenere il peso della TV. Se non viene assicurata saldamente durante l'installazione, la TV potrebbe cadere e causare lesioni gravi. Sony non potrà essere ritenuta responsabile per danni o lesioni causate da usi non appropriati del prodotto, da installazione non corretta o da installazioni di prodotti diversi da quello specificato. Quanto dichiarato non pregiudica (eventuali) diritti legali dell'acquirente.

Informazioni per i rivenditori Sony

Per l'installazione di questo prodotto è necessario disporre di sufficiente competenza. Leggere attentamente il presente Manuale d'uso per garantire la corretta esecuzione della procedura di installazione. Sony non potrà essere ritenuta responsabile per danni o lesioni causate da usi non appropriati del prodotto o da installazione non corretta. Conservare il presente manuale al cliente dopo l'installazione.

Il presente Manuale d'uso spiega come utilizzare correttamente questo prodotto; inoltre, contiene precauzioni importanti da rispettare per prevenire incidenti. È responsabilità dell'utente leggere, comprendere e rispettare tutte le istruzioni contenute nel presente Manuale d'uso. La mancata osservanza di quanto contenuto nel presente manuale potrebbe causare lesioni personali gravi o danni agli oggetti e potrebbe rendere nulla la garanzia. Conservare questo manuale a portata di mano per poterlo consultare in futuro.

I prodotti Sony sono progettati per essere sicuri. Nonostante, è possibile che, se i prodotti vengono utilizzati in modo errato, si verifichino lesioni gravi dovute a incendi, scosse elettriche, ribaltamento o caduta dei prodotti stessi. Onde evitare tali incidenti, accertarsi di osservare le appropriate precauzioni per la sicurezza.

ATTENZIONE

Prodotti specificati

Questa staffa di montaggio a parete è progettata per essere utilizzata con i televisori specificati. Per quanto riguarda i televisori, consultare la relativa Guida di riferimento per verificare se la presente staffa di montaggio a parete può essere utilizzata.

Ai Clienti

AVVERTENZA

Se le precauzioni riportate di seguito non vengono rispettate, è possibile procurarsi lesioni gravi o mortali a causa di incendi, scosse elettriche o caduta del prodotto.

Assicurarsi che l'installazione venga eseguita da personale autorizzato e tenere lontani i bambini durante l'installazione.

Se la staffa di montaggio a parete o il televisore non vengono installati correttamente, possono verificarsi i seguenti incidenti. Accertarsi che l'installazione sia effettuata da personale autorizzato.

- Il televisore potrebbe cadere e causare lesioni gravi, per esempio contusioni o fratture.
- Se la parete su cui viene installata la staffa di montaggio a parete è instabile, irregolare oppure non è perpendicolare al pavimento, l'unità potrebbe cadere causando lesioni o danni a oggetti. La parete deve essere in grado di sostenere un peso pari ad almeno sei volte il peso della TV. (Consultare la Guida di riferimento del televisore per verificarne il peso.)
- Se l'installazione della staffa di montaggio a parete non è sufficientemente salda sulla parete, l'unità potrebbe cadere e causare lesioni o danni a oggetti.

Assicurarsi che lo spostamento o lo smontaggio del televisore vengano eseguiti da personale autorizzato.

Qualora lo spostamento o lo smontaggio vengano eseguiti da personale non autorizzato, il televisore potrebbe cadere e causare lesioni o danni a oggetti. Per trasportare un televisore di grandi dimensioni sono necessarie due o più persone (tre o più persone per televisori da 189,3 cm (75 pollici) e più) (eccetto che per l'Egitto).

Per trasportare un televisore di grandi dimensioni sono necessarie due o più persone (tre o più persone per televisori da 75 pollici (189,3 cm) e più) (solo per l'Egitto).

Dopo aver completato il montaggio del televisore, non rimuovere viti o altri elementi simili.

In caso contrario, il televisore potrebbe cadere e provocare lesioni o danni a oggetti.

Non effettuare modifiche sulla staffa di montaggio a parete.

In caso contrario, la staffa di montaggio a parete potrebbe cadere e provocare lesioni o danni a oggetti.

Non montare prodotti diversi da quelli specificati.

Questa staffa di montaggio a parete è progettata per essere utilizzata esclusivamente con il prodotto specificato. Se viene montato un prodotto diverso da quello specificato, questo potrebbe cadere o rompersi causando lesioni o danni a oggetti.

Non collocare altri oggetti diversi dal televisore sulla staffa di montaggio a parete.

Non scuotere il televisore verso destra/sinistra o verso l'alto/il basso.

In caso contrario, il televisore potrebbe cadere e provocare lesioni o danni a oggetti.

Non appoggiarsi né aggarrarsi al televisore.

Non appoggiarsi né aggarrarsi al televisore perché potrebbe cadere e causare lesioni gravi.

ATTENZIONE

In caso di inosservanza delle seguenti precauzioni, potrebbero verificarsi lesioni o danni a oggetti.

- Prestare attenzione a non schiacciarsi le dita durante l'utilizzo della staffa di montaggio a parete o mentre si fa ruotare la TV.
- Quando si orienta il TV, maneggiarlo con cautela e fare attenzione a non colpire eventuali persone nelle vicinanze.
- Accertarsi di riporre le parti non utilizzate in un luogo sicuro per riutilizzarle eventualmente in futuro. Tenere queste parti fuori dalla portata dei bambini.

Non esercitare una pressione eccessiva sul prodotto durante le operazioni di pulizia o manutenzione.

Non applicare una forza eccessiva sulla parte superiore del televisore. In caso contrario, il televisore potrebbe cadere e provocare lesioni o danni a oggetti.

Non collocare questo prodotto nelle vicinanze di dispositivi medici.

Questo prodotto (accessori inclusi) contiene magneti che potrebbero interferire con pacemaker, valvole shunt programmabili per il trattamento dell'idrocefalo o altri dispositivi medici. Non collocare questo prodotto nelle vicinanze di persone che fanno uso di tali dispositivi medici. Consultare il proprio medico prima di usare questo prodotto se si fa uso di dispositivi medici.

Conservare fuori dalla portata dei bambini o di soggetti che necessitano di supervisione.

Questo prodotto (accessori inclusi) contiene magneti. L'ingestione di magneti potrebbe causare gravi danni, come il rischio di soffocamento o lesioni intestinali. In caso di ingestione di magneti, consultare immediatamente un medico.

Precauzioni

- Se si utilizza il televisore installato sulla staffa di montaggio a parete per un tempo prolungato, è possibile che la parete dietro o sopra il televisore si scolorisca o che la carta da parati si stacchi, a seconda del materiale di cui è costituita la parete.
- Se la staffa di montaggio a parete viene rimossa dopo essere stata installata sulla parete, i fori delle viti rimangono.
- Non utilizzare la staffa di montaggio a parete in luoghi soggetti a vibrazioni meccaniche.

Installazione della staffa di montaggio a parete

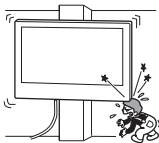
Informazioni per i rivenditori Sony

AVVERTENZA

Le seguenti istruzioni si rivolgono esclusivamente ai rivenditori Sony. Accertarsi di leggere le precauzioni per la sicurezza descritte in precedenza e prestare particolare attenzione alla sicurezza durante le operazioni di installazione, manutenzione e controllo del prodotto.

Non installare la staffa di montaggio a parete su un muro dove gli angoli o i lati del televisore sporgono dalla superficie del muro stesso.

Non installare la staffa di montaggio a parete su un pilastro se gli angoli o i lati del televisore sporgono dalla superficie del pilastro stesso. Se una persona o un oggetto dovessero urtare la parte sporgente del televisore, potrebbero verificarsi lesioni o danni a oggetti.

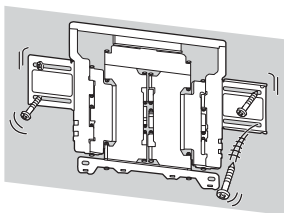


Non installare il televisore sopra o sotto un condizionatore d'aria.

Se il televisore rimane esposto a perdite d'acqua o correnti d'aria provenienti da un condizionatore per lungo tempo, potrebbero verificarsi incendi, scosse elettriche o malfunzionamenti del televisore.

Accertarsi di installare saldamente la staffa di montaggio a parete rispettando le istruzioni contenute in questo Manuale d'uso.

Se una o più viti dovessero apparire allentate o dovessero cadere, la staffa di montaggio a parete potrebbe cadere a sua volta, causando lesioni a persone o danni a oggetti. Accertarsi di utilizzare viti adatte al tipo di parete e installare l'unità in maniera sicura usando quattro viti con diametro di 8 mm (o equivalenti).



Accertarsi di utilizzare correttamente le viti e gli altri materiali per l'installazione in dotazione rispettando le istruzioni contenute in questo Manuale d'uso. Se si utilizzano altri materiali, il televisore potrebbe cadere e causare lesioni a persone o danni al televisore stesso.

Accertarsi di montare correttamente la staffa rispettando la procedura spiegata nel presente Manuale d'uso.

Se una o più viti dovessero apparire allentate o dovessero cadere, il televisore potrebbe cadere e causare lesioni a persone o danni al televisore stesso.

Accertarsi di serrare saldamente le viti nella posizione indicata.

In caso contrario, il televisore potrebbe cadere e causare lesioni a persone o danni al televisore stesso.

Evitare che il televisore subisca urti durante l'installazione.

Se il televisore subisce urti, potrebbe cadere o rompersi. Ciò potrebbe causare lesioni.

Accertarsi di installare il televisore su una parete perpendicolare e piana.

In caso contrario, il televisore potrebbe cadere e provocare lesioni.

Dopo aver completato correttamente l'installazione del televisore, fissare correttamente i cavi.

Qualora persone o oggetti dovessero rimanere impigliati nei cavi, ciò potrebbe causare lesioni o danni al televisore.

Verificare che il cavo di alimentazione CA o il cavo di collegamento non rimangano incastrati.

Se il cavo di alimentazione CA o il cavo di collegamento rimangono incastrati tra il prodotto e la parete oppure vengono piegati o attorcigliati forzatamente, è possibile che i conduttori interni restino scoperti, provocando cortocircuiti o rotture dei cavi stessi. Ciò potrebbe causare incendi o scosse elettriche.



Le viti necessarie per l'installazione della staffa di montaggio a parete non sono fornite in dotazione.

Per montare la staffa di montaggio a parete, utilizzare le viti appropriate per il materiale di cui è composta la parete.

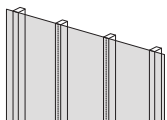
Operazioni preliminari

- Le illustrazioni del televisore mostrate in questo manuale sono esempi utilizzati per spiegare in modo chiaro le operazioni. Per questo motivo, le illustrazioni potrebbero apparire diverse da quelle del televisore effettivo.

Di cosa è fatta la parete?

Innanzitutto, controllare il tipo di parete su cui sarà installata la TV.

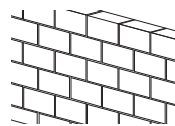
Parete in cartongesso con montanti



Precauzioni

- Spessore massimo del cartongesso: 16 mm.
- Assicurarsi che la dimensione dei montanti di legno interni sia almeno 51 mm × 102 mm per comune o 38 mm × 89 mm per nominale.
- Mantenere uno spazio orizzontale minimo di 406 mm tra i fissaggi.

Parete in cemento pieno o mattoni di cemento



Precauzioni

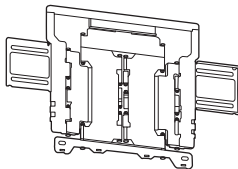

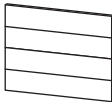

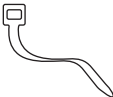
- Montare la staffa di montaggio a parete direttamente sulla parete in cemento pieno.
- Assicurarsi che lo spessore della parete di cemento pieno sia di almeno 203 mm.
- Assicurarsi che la dimensione di ciascun mattone di cemento sia di almeno 203 mm × 203 mm × 406 mm.

IT

Controllo degli elementi



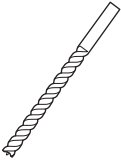
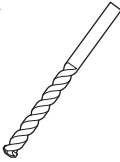
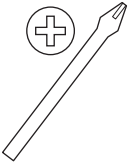
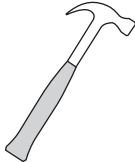
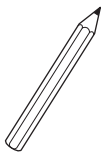

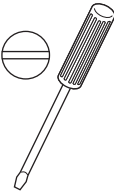




In dotazione con SU-WL850

- Verificare che tutti gli elementi necessari siano inclusi.

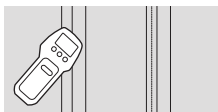
WM1 (x1) 	WM2 (x1) 	WM3 (x4) 
M6 (x4) 	WT1 (x6) 	

Preparazione per l'installazione

- Tenere la Guida di riferimento e la guida di installazione del televisore a portata di mano prima dell'installazione.
- Controllare la posizione di installazione del televisore.
- Preparare quattro viti con diametro di 8 mm e quattro rondelle appropriate (non in dotazione). Scegliere viti adatte al materiale di cui è composta la parete.
- Preparare i seguenti utensili:

*1 		 5,5 mm	 10 mm	
*2 		 1,5 N·m {15 kgf·cm}	*3  1,5 N·m {15 kgf·cm}	
	*2  (x4)	*4  (x4) 8 mm × 60 mm	*4  (x4)	

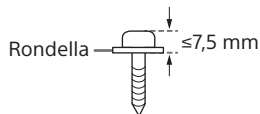
*1 Solo per pareti in cartongesso con montanti



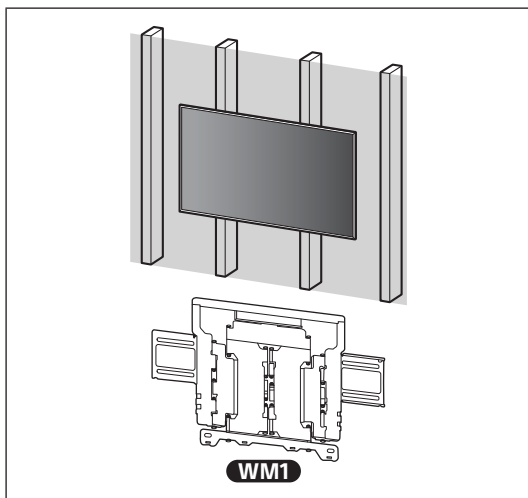
*2 Solo per pareti in cemento pieno o mattoni di cemento

*3 A seconda dei modelli

*4 Prestare attenzione al momento di scegliere le viti e le rondelle



A Fissaggio della staffa di montaggio a parete sulla parete in cartongesso con montanti



Installazione della staffa di montaggio a parete alla parete

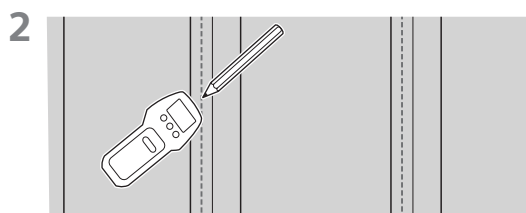
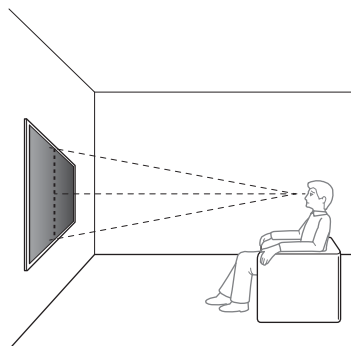
1 Scegliere la posizione di installazione.

Assicurarsi che la parete abbia abbastanza spazio per il televisore e sia in grado di sostenere un peso pari almeno a sei volte quello del televisore.

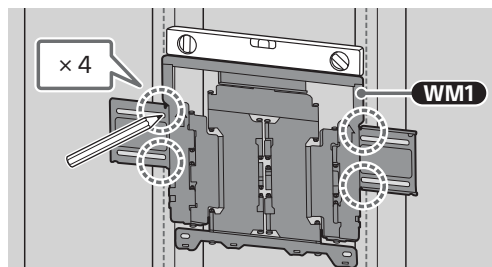
- Fare riferimento a “Misura per l’installazione della staffa di montaggio a parete” a pagina 18.
- Consultare la Guida di riferimento del televisore per conoscere il suo peso.

Nota

- Quando il televisore è installato alla parete, la parte superiore del televisore sporge leggermente in avanti.
- Raccomandiamo di verificare che la TV sia visibile correttamente dalla posizione prescelta.



3 Allineare WM1 alla parete e accertarsi che i quattro contrassegni siano allineati con i montanti.

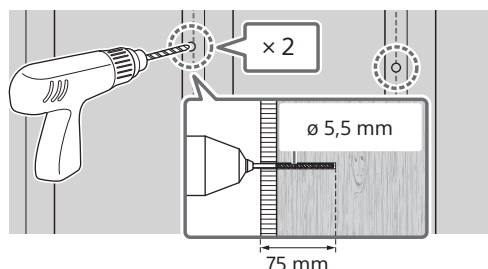


Nota

- Utilizzare una livella per controllare che WM1 sia al livello giusto.

4 Effettuare quindi i fori superiori in corrispondenza dei contrassegni.

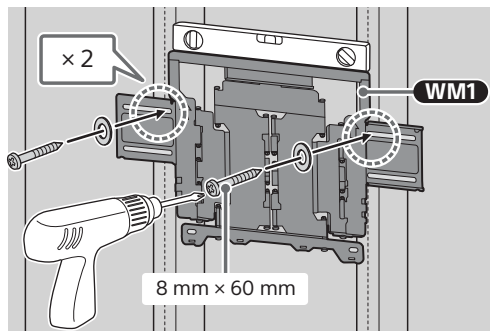
Assicurarsi che la posizione sulla parete dove eseguire i fori sia in grado di sostenere un peso pari almeno a sei volte quello del televisore.



Nota

- I fori devono avere una profondità di 75 mm; utilizzare un trapano con punta con diametro di 5,5 mm.

- 5 Installare **WM1** sulla parete utilizzando le viti (non in dotazione) e le rondelle (non in dotazione) appropriate.



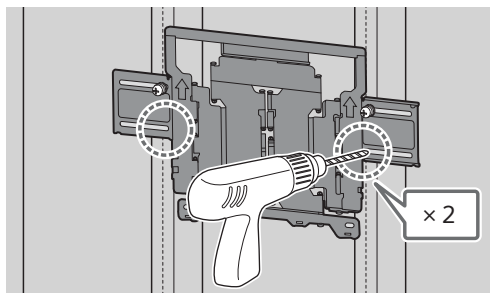
Nota

- Utilizzare una livella per controllare che **WM1** sia al livello giusto.

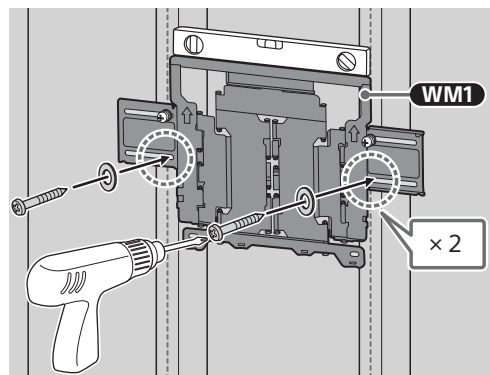
Precauzioni

- Non stringere eccessivamente la vite in legno da 8 mm x 60 mm. Un serraggio errato potrebbe ridurre la presa della vite in legno da 8 mm x 60 mm.

- 6 Effettuare i fori inferiori in corrispondenza dei contrassegni. (Fare riferimento al punto 4 per le istruzioni su come eseguire i fori.)



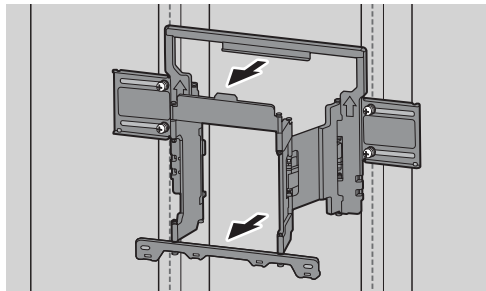
- 7 Inserire le viti e le rondelle appropriate nei fori.



Nota

- Utilizzare una livella per controllare che **WM1** sia al livello giusto.

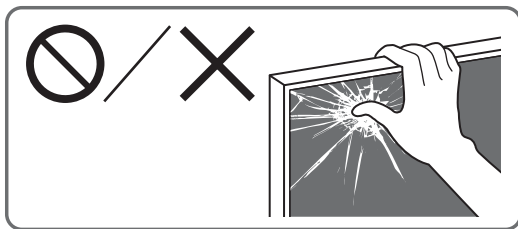
- 8 Estrarre completamente il braccio della staffa.



Preparazione per l'installazione del televisore

Nota

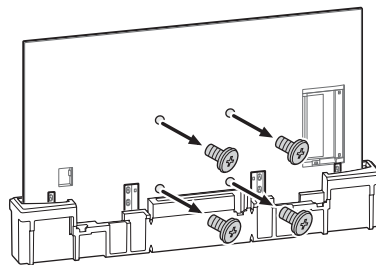
- Assicurarsi di conservare le viti rimosse e le parti non utilizzate in un luogo sicuro, lontano dalla portata dei bambini.



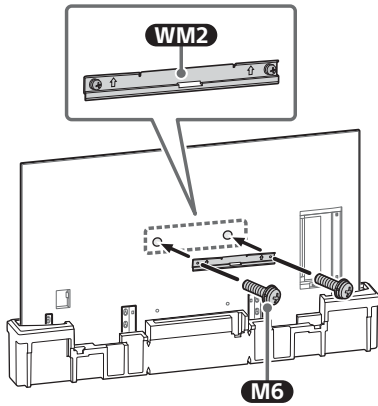
Installazione del TV a parete dalla scatola*1

*1 Solo per alcune Regioni/Paesi/Modelli.

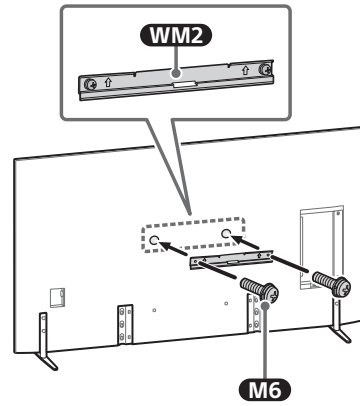
- 1 Rimuovere le viti dalla parte posteriore del televisore.



2 Fissare **WM2** alla TV usando **M6**.

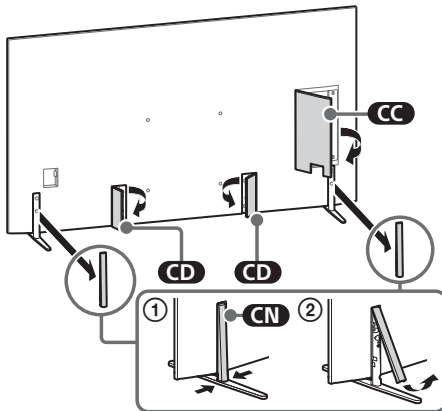


3 Fissare **WM2** alla TV usando **M6**.

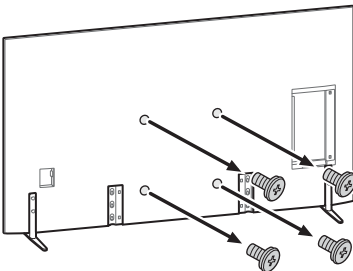


Installazione del televisore a parete dal supporto da tavolo

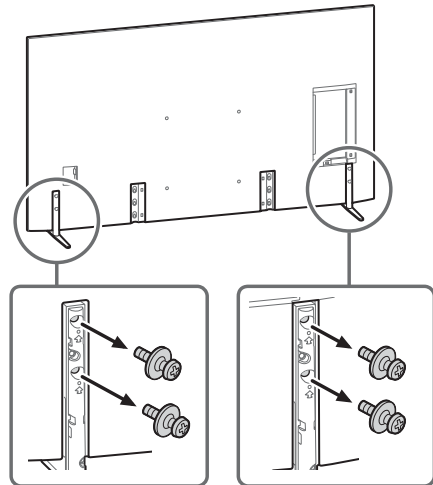
1 Rimuovere i coperchi del supporto e i coperchi del terminale.



2 Rimuovere le viti dalla parte posteriore del televisore.



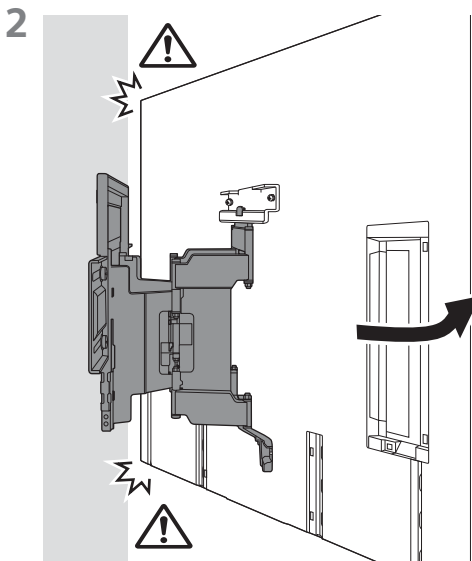
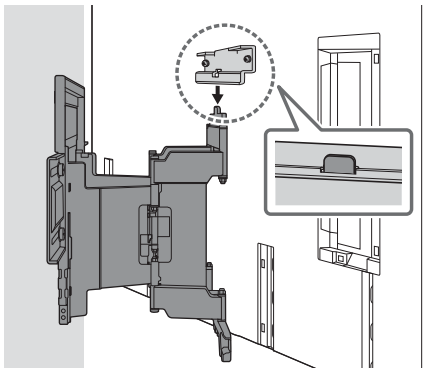
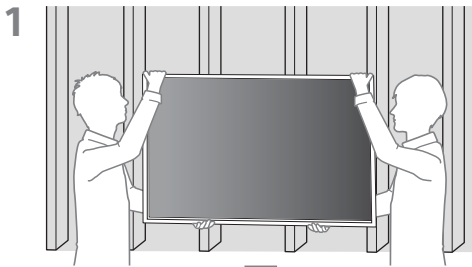
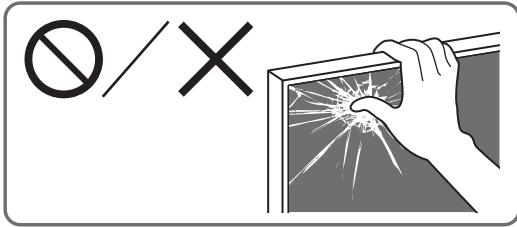
4 Rimuovere il supporto da tavolo dal televisore.



Nota

- Fare attenzione quando si solleva il televisore mentre si stacca il supporto da tavolo, questo potrebbe rovesciarsi e causare lesioni personali.
- Fare attenzione quando si rimuove il supporto da tavolo dal televisore per evitare che cada e danneggi la superficie su cui si trova il televisore.

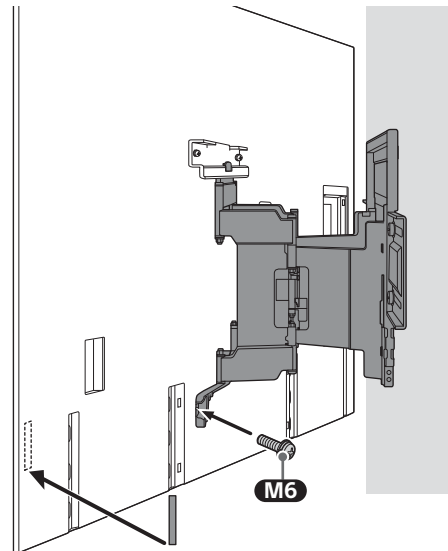
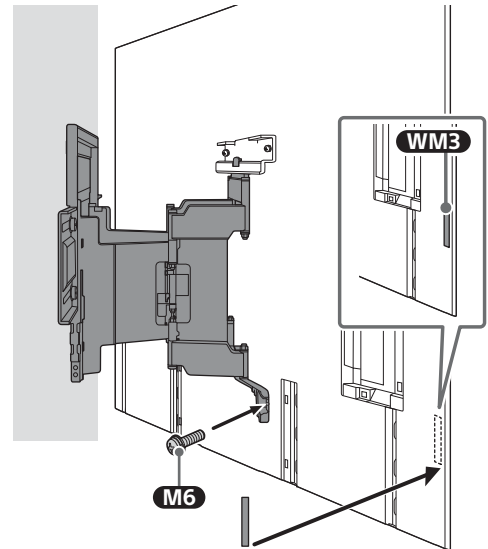
Installazione del televisore a parete

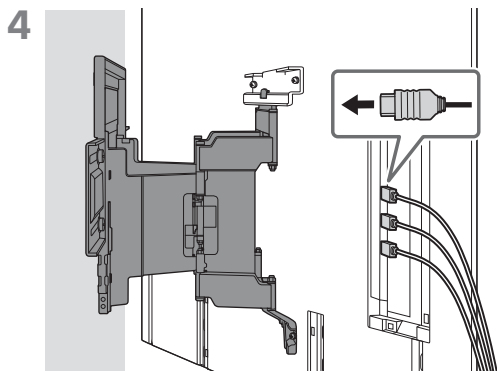


- 3 Avvitare il lato sinistro e destro della staffa di montaggio a parete utilizzando **M6** e collegare **WM3**.

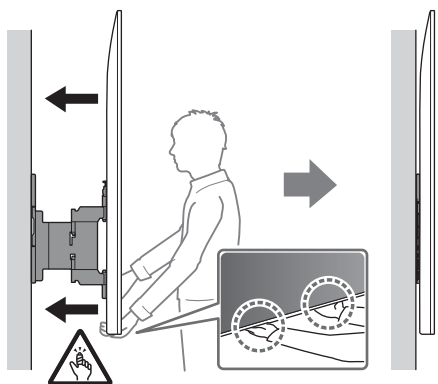
Nota

- Non fissare **WM3** sulle etichette.



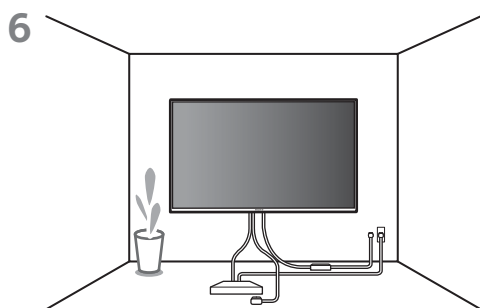


5 Quando si sposta la TV, afferrarla e tenerla saldamente dal fondo.



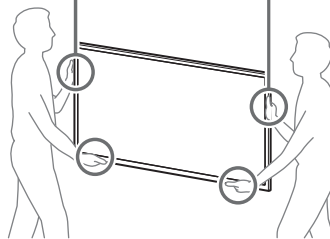
Nota

- Il televisore potrebbe non spostarsi vicino alla parete a seconda del tipo e del numero di cavi collegati. Questo non è un malfunzionamento.



AVVERTENZA

- Per trasportare un televisore di grandi dimensioni sono necessarie due o più persone (tre o più persone per televisori da 189,3 cm (75 pollici) e più) (eccetto che per l'Egitto).
- Per trasportare un televisore di grandi dimensioni sono necessarie due o più persone (tre o più persone per televisori da 75 pollici (189,3 cm) e più) (solo per l'Egitto).



Controllo finale dopo l'installazione

Verificare quanto segue.

- I cavi non sono attorcigliati o incastrati.

AVVERTENZA

- Un posizionamento non corretto del cavo di alimentazione CA ecc. può causare corto circuiti e, di conseguenza, incendi o scosse elettriche. Una volta completata l'installazione, accertarsi di verificarne la sicurezza.

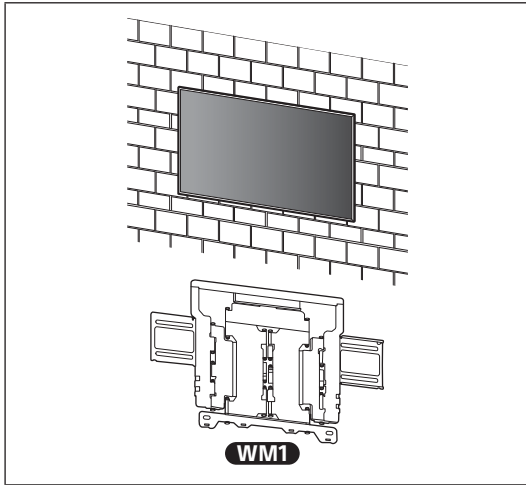
Altre informazioni

Per rimuovere il televisore, attenersi alla procedura di installazione descritta in precedenza, ma in ordine inverso.

AVVERTENZA

- Per trasportare un televisore di grandi dimensioni sono necessarie due o più persone (tre o più persone per televisori da 189,3 cm (75 pollici) e più) (eccetto che per l'Egitto).
- Per trasportare un televisore di grandi dimensioni sono necessarie due o più persone (tre o più persone per televisori da 75 pollici (189,3 cm) e più) (solo per l'Egitto).

B Fissaggio della staffa di montaggio a parete alla parete di cemento pieno o di mattoni di cemento



Installazione della staffa di montaggio a parete alla parete

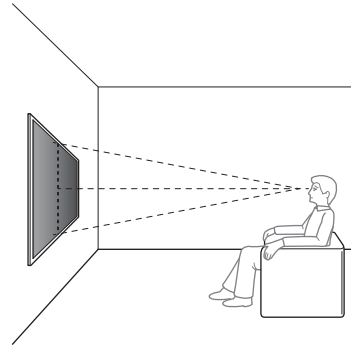
1 Scegliere la posizione di installazione.

Assicurarsi che la parete abbia abbastanza spazio per il televisore e sia in grado di sostenere un peso pari almeno a sei volte quello del televisore.

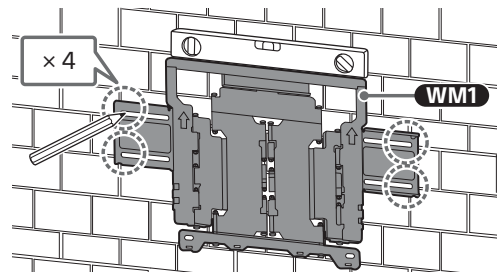
- Fare riferimento a “Misura per l’installazione della staffa di montaggio a parete” a pagina 18.
- Consultare la Guida di riferimento del televisore per conoscere il suo peso.

Nota

- Quando il televisore è installato alla parete, la parte superiore del televisore sporge leggermente in avanti.
- Raccomandiamo di verificare che la TV sia visibile correttamente dalla posizione prescelta.



2 Allineare WM1 alla parete e fare quattro contrassegni.

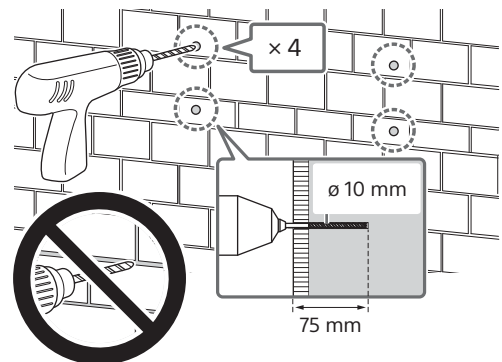


Nota

- Utilizzare una livella per controllare che WM1 sia al livello giusto.

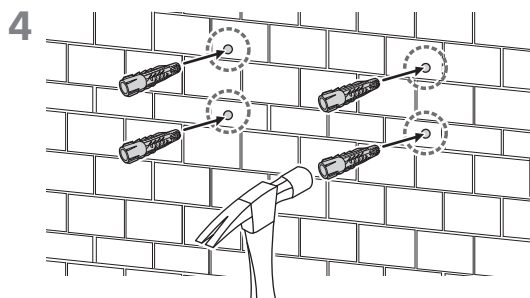
3 Fare i fori basandosi sui contrassegni.

Assicurarsi che la posizione sulla parete dove eseguire i fori sia in grado di sostenere un peso pari almeno a sei volte quello del televisore.

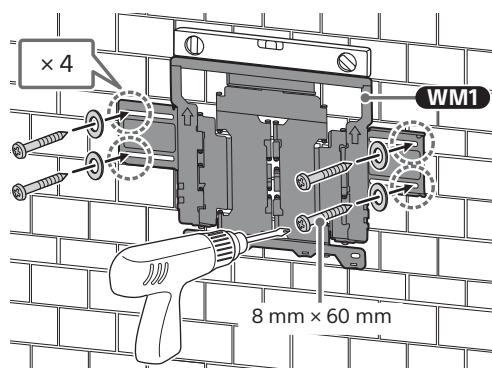


Nota

- I fori devono avere una profondità di 75 mm; utilizzare un trapano con punta con diametro di 10 mm.



- 5 Installare **WM1** sulla parete utilizzando le viti (non in dotazione) e le rondelle (non in dotazione) appropriate.



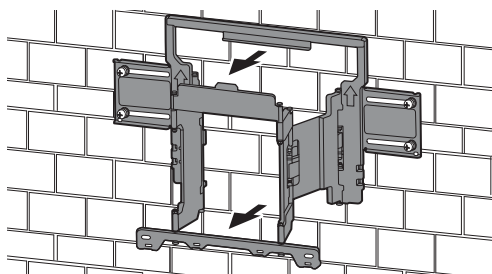
Nota

- Utilizzare una livella per controllare che **WM1** sia al livello giusto.

Precauzioni

- Non stringere eccessivamente la vite in legno da 8 mm x 60 mm. Un serraggio errato potrebbe ridurre la presa della vite in legno da 8 mm x 60 mm.

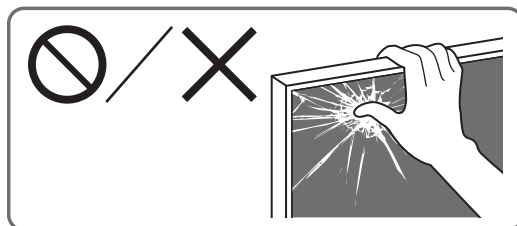
- 6 Estrarre completamente il braccio della staffa.



Preparazione per l'installazione del televisore

Nota

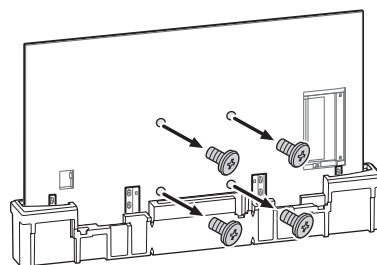
- Assicurarsi di conservare le viti rimosse e le parti non utilizzate in un luogo sicuro, lontano dalla portata dei bambini.



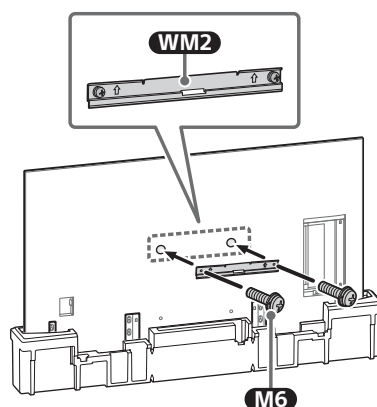
Installazione del TV a parete dalla scatola*1

*1 Solo per alcune Regioni/Paesi/Modelli.

- 1 Rimuovere le viti dalla parte posteriore del televisore.

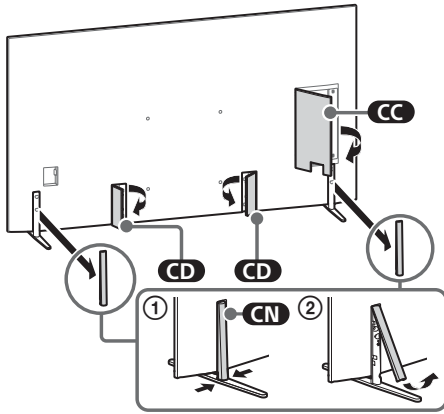


- 2 Fissare **WM2** alla TV usando **M6**.

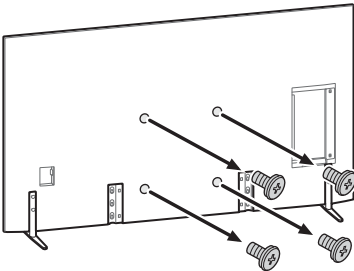


Installazione del televisore a parete dal supporto da tavolo

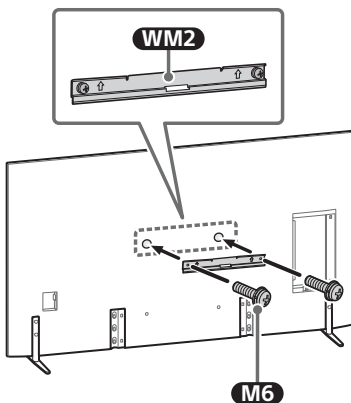
- 1 Rimuovere i coperchi del supporto e i coperchi del terminale.



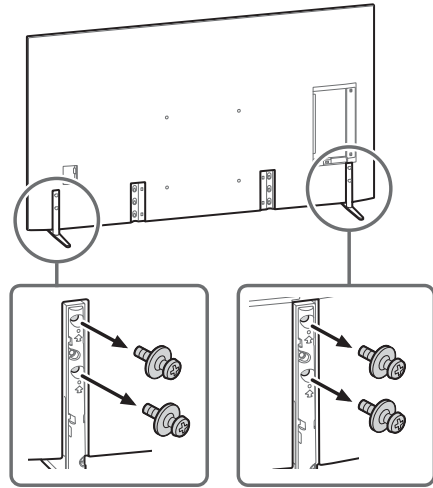
- 2 Rimuovere le viti dalla parte posteriore del televisore.



- 3 Fissare **WM2** alla TV usando **M6**.



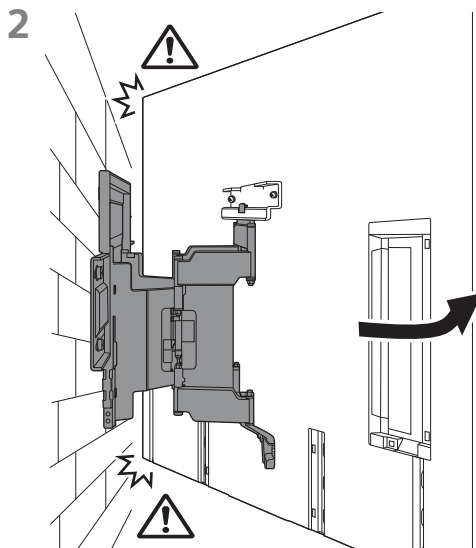
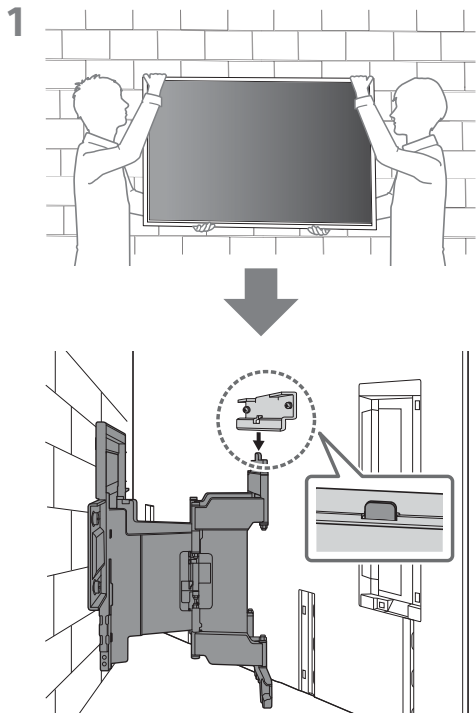
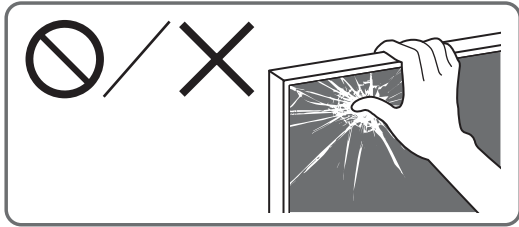
- 4 Rimuovere il supporto da tavolo dal televisore.



Nota

- Fare attenzione quando si solleva il televisore mentre si stacca il supporto da tavolo, questo potrebbe rovesciarsi e causare lesioni personali.
- Fare attenzione quando si rimuove il supporto da tavolo dal televisore per evitare che cada e danneggi la superficie su cui si trova il televisore.

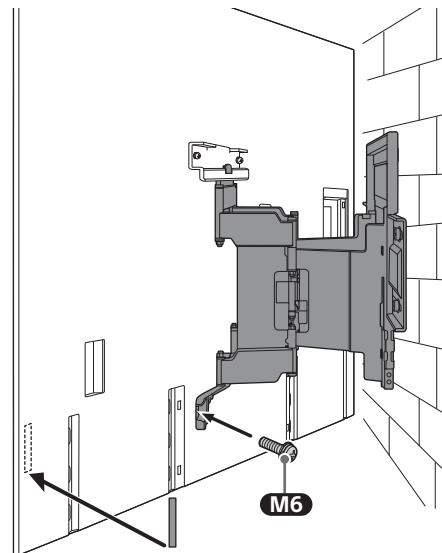
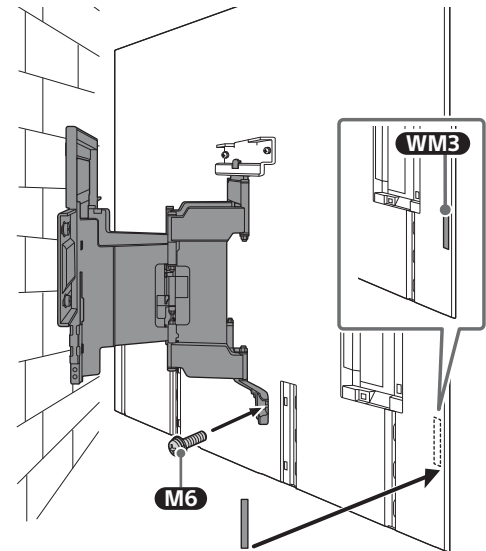
Installazione del televisore a parete



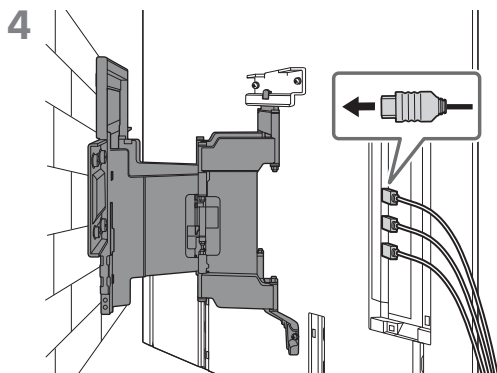
- 3 Avvitare il lato sinistro e destro della staffa di montaggio a parete utilizzando **M6** e collegare **WM3**.

Nota

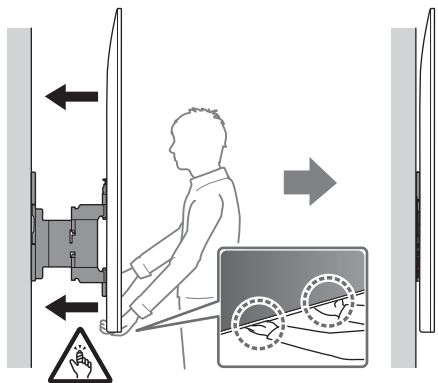
- Non fissare **WM3** sulle etichette.



IT

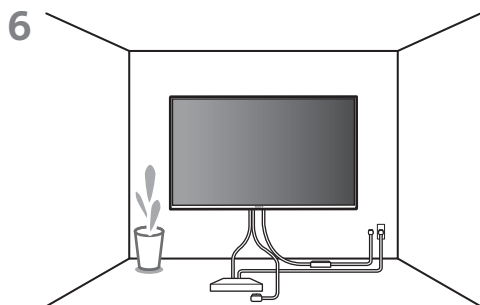


5 Quando si sposta la TV, afferrarla e tenerla saldamente dal fondo.



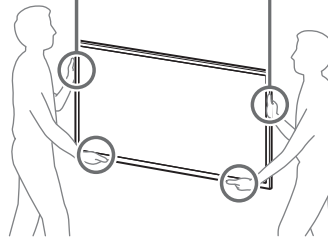
Nota

- Il televisore potrebbe non spostarsi vicino alla parete a seconda del tipo e del numero di cavi collegati. Questo non è un malfunzionamento.



AVVERTENZA

- Per trasportare un televisore di grandi dimensioni sono necessarie due o più persone (tre o più persone per televisori da 189,3 cm (75 pollici) e più) (eccetto che per l'Egitto).
Per trasportare un televisore di grandi dimensioni sono necessarie due o più persone (tre o più persone per televisori da 75 pollici (189,3 cm) e più) (solo per l'Egitto).



Controllo finale dopo l'installazione

Verificare quanto segue.

- I cavi non sono attorcigliati o incastrati.

AVVERTENZA

- Un posizionamento non corretto del cavo di alimentazione CA ecc. può causare corto circuiti e, di conseguenza, incendi o scosse elettriche. Una volta completata l'installazione, accertarsi di verificarne la sicurezza.

Altre informazioni

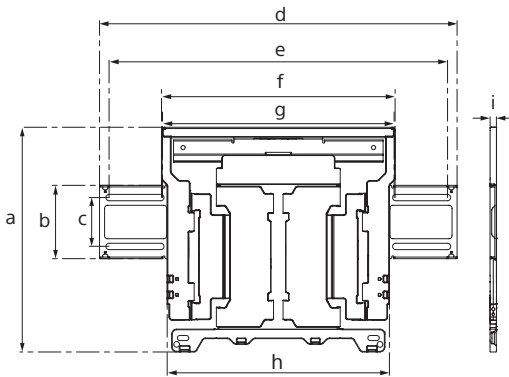
Per rimuovere il televisore, attenersi alla procedura di installazione descritta in precedenza, ma in ordine inverso.

AVVERTENZA

- Per trasportare un televisore di grandi dimensioni sono necessarie due o più persone (tre o più persone per televisori da 189,3 cm (75 pollici) e più) (eccetto che per l'Egitto).
Per trasportare un televisore di grandi dimensioni sono necessarie due o più persone (tre o più persone per televisori da 75 pollici (189,3 cm) e più) (solo per l'Egitto).

Caratteristiche tecniche

WM1



Dimensioni: (Circa) [mm]

a : 354

b : 116

c : 77

d : 563

e : 533

f : 370

g : 368

h : 350

i : 11

Peso (solo base): (Circa) [kg]

3,0

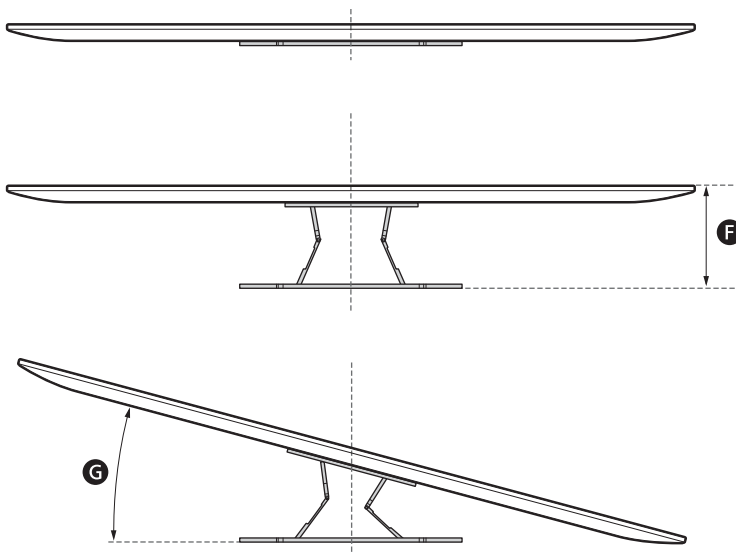
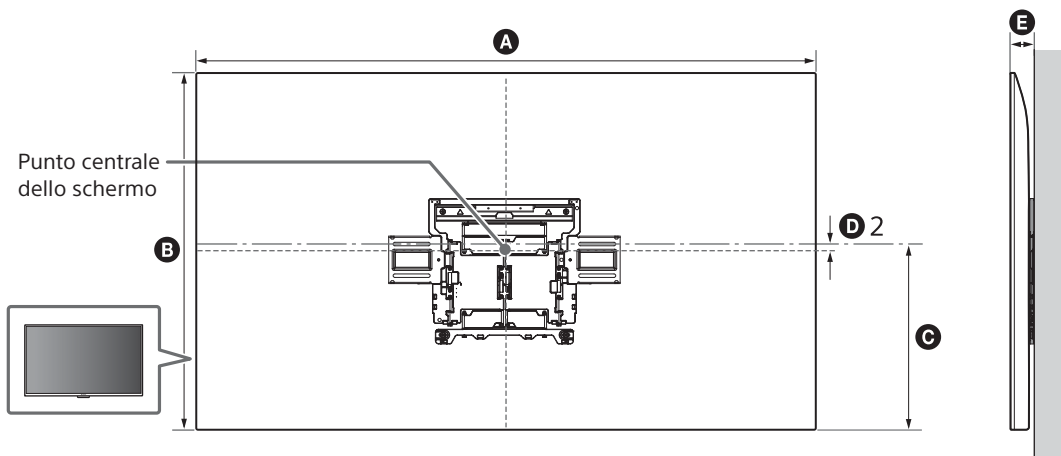
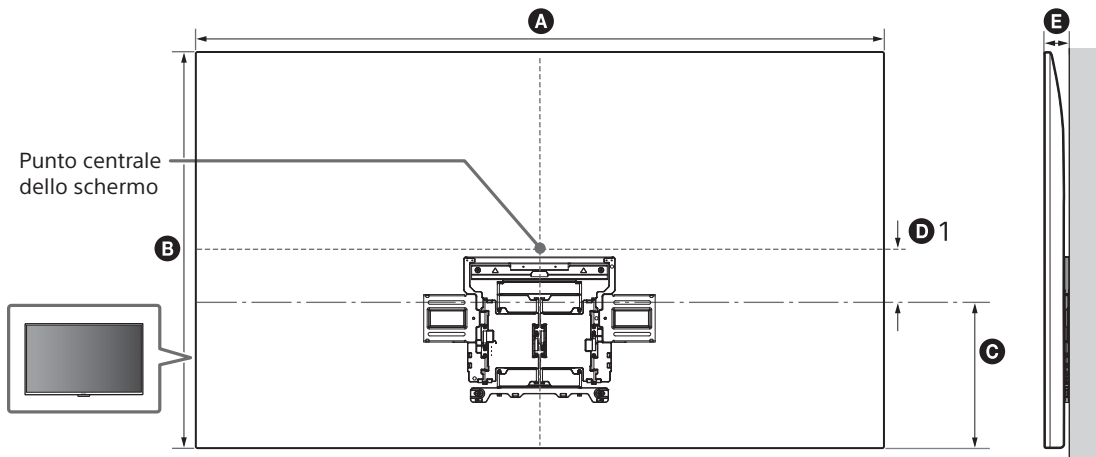
Design e specifiche tecniche sono soggette a modifiche senza preavviso.

IT

Riferimenti

Misura per l'installazione della staffa di montaggio a parete

I numeri nella tabella potrebbero variare leggermente a seconda dell'installazione.



(mm)

Nome del modello	A	B	C	D 1	D 2	E	F ^{*1}	G ^{*1} (°)
K-77XR8x	1 713	984	362	139	-	48	251,4	12
K-65XR8x	1 442	829	362	57	-	48	250,8	17
K-55XR8x	1 223	706	362	-	3	48	250,8	19

*1 (Circa)

Installationsinformation för användning av Sony väggfäste (SU-WL850)

Modeller som stöds*1:

*1 I aktuella modellnamn anger "x"/"xx" siffror och/eller tecken som är specifika för varje modell.

K-77XR8x / 65XR8x / 55XR8x

Till kunder

För att skydda produkten och av säkerhetsskäl rekommenderar Sony starkt att TV:n installeras av Sony-återförsäljare eller licensierade installatörer. Försök inte att installera den själv.

Till Sony-återförsäljare och installatörer

Ägna full uppmärksamhet åt säkerheten under installation, periodiskt underhåll och undersökning av denna produkt.

Tillräcklig expertis krävs för att installera denna produkt, speciellt för att fastställa väggens styrka när det gäller att hålla upp TV:ns vikt. Anlita alltid en Sony-återförsäljare eller en licensierad installatör och ägna vederbörlig uppmärksamhet åt säkerhet under installationen. Sony är inte ansvarsskyldiga för materiella skador eller personskador som orsakats av felaktig hantering eller felaktig installation.

För säkerhet och riktig installation, följ användarinstruktionerna för väggfästet, TV:ns startguide och anvisningarna i denna manual.

Väggfäste

Om säkerhet

Tack för att du valt denna produkt.

Till kunder

Montera TV:n på väggen



INSTALLATION MÅSTE UTFÖRAS AV KUNNIGA PERSONER

Denna produkt bör endast installeras av en kunnig installatör som är utbildad i att avgöra om väggen håller för TV:ns vikt. Det kan hända att TV:n faller i golvet och orsakar allvarlig skada om den inte säkras ordentligt under installationen. Sony är inte ansvarigt för eventuella person- eller materialskador som orsakats av felaktig hantering eller felaktig installation, eller av att annat än den specificerade produkten installerats. Dina eventuella lagenliga rättigheter påverkas inte.

Till Sony-återförsäljare

Installationen av denna produkt kräver att du har tillräckliga kunskaper. För att du ska kunna göra den här installationen säker måste du ta del av informationen i den här bruksanvisningen. Sony kan inte hållas ansvarigt för eventuella skador eller personskador som orsakats av felaktig användning eller felaktig installation. Vänligen ge denna manual till kunden efter utförd installation.

I den här bruksanvisningen finns instruktioner för hur produkten används samt information om sådant som du bör känna till för att undvika olyckor. Det är ditt ansvar att noggrant läsa igenom, förstå och följa alla anvisningar i denna bruksanvisning. Underlåtenhet att göra det kan resultera i allvarlig personskada eller skada på egendom, och kan upphäva garantin. Behåll denna manual för framtida bruk.

Produkter från Sony är utformade med tanke på säkerhet. Om produkterna emellertid används felaktigt kan det leda till allvarliga personskador till följd av brand, elstötar eller av att produkten välter eller fallit ned. Förebygg sådana olyckor genom att inte åsidosätta säkerheten.

SE UPP

Angivna produkter

Detta väggfäste är tillverkat för att användas tillsammans med passande TV-apparater. Se respektive referensmaterial för varje TV-apparat för att se om detta väggfäste kan användas.

Till kunder

VARNING

Om följande säkerhetsföreskrifter inte följs kan det leda till allvarliga personskador eller dödsfall som följd av brand, elektriska stötar, att produkten välter eller faller ner.

Överlåt installationen till behörig personal och se till att små barn inte befinner sig i närheten när installationen utförs.

Om väggfästet eller TV:n inte installeras på rätt sätt kan följande olyckor ske. Se till att installationen utförs av behörig personal.

- TV:n kan falla ner och orsaka allvarliga skador som skrapår eller benbrott.
- Om väggen där väggfästet monteras inte är stabil, jämn eller lodrät mot golvet, kan enheten lossna och orsaka skador på person och/eller egendom. Väggen skall vara stark nog att klara en vikt på minst sex gånger TV:ns vikt. (Mer information om vikten finns i referensmaterialet till TV:n.)
- Om inte installationen av väggfästet sitter stabilt kan enheten lossna och orsaka skador på person och/eller egendom.

Överlåt förflyttning eller nedmontering av TV:n till behörig person.

Om obehöriga personer transporterar eller monterar ner TV:n kan den falla och orsaka allvarliga person- eller egendomsskador. Det krävs två eller fler personer (tre eller fler personer för 189,3 cm (75 tum) eller större TV) för att bära en stor TV-apparat (utom Egypten). Det krävs två eller fler personer (tre eller fler personer för 75 tum (189,3 cm) eller större TV) för att bära en stor TV-apparat (endast Egypten).

Ta inte ur några skruvar etc. efter att TV:n monterats.

Det kan leda till att TV:n faller ner och orsakar allvarliga person- eller egendomsskador.

Modifiera inte väggfästets olika delar.

Då kan väggfästet lossna och orsaka skador på person och/eller egendom.

Montera ingen annan utrustning än den specificerade produkten.

Detta väggfäste är tillverkat enbart för användning tillsammans med angiven produkt. Om du använder det för montering av annan utrustning kan det lossna eller gå sönder och orsaka skador på person eller egendom.

Utsätt inte väggfästet för annan belastning än den från TV:n.

Skaka inte TV:n åt vänster/höger, uppåt/nedåt.

Det kan leda till att TV:n faller ner och orsakar allvarliga person- eller egendomsskador.

Luta dig inte mot eller häng på TV:n.

Luta dig inte mot eller häng på TV:n eftersom den kan falla ner på dig och orsaka allvarlig skada.

SE UPP

Om du inte efterföljer följande säkerhetsföreskrifter finns det risk för personskador eller skador på egendom.

- Var försiktig så att du inte klämmer dina fingrar när du hanterar väggfästet eller vrider TV:n.
- Hantera TV-apparaten försiktigt när du vrider på den, så att du inte råkar stöta till någon person i närheten.
- Förvara oanvända delar på en säker plats för framtida användning. Håll borta från barn.

Hantera enheten försiktig när du rengör den eller utför underhåll.

Tyng inte onödigt mycket på TV:ns ovansida. Det kan leda till att TV:n faller ner och orsakar allvarliga person- eller egendomsskador.

Placera inte denna produkt i närheten av medicinsk utrustning.

Denna produkt (inklusive tillbehör) innehåller en eller flera magneter som kan påverka pacemakers, programmerbara shuntventiler för vattenskallebehandling, eller annan medicinsk utrustning. Placera inte denna produkt i närheten av personer som använder sådan medicinsk utrustning. Rådfråga en läkare innan du använder denna produkt om du själv använder sådan medicinsk utrustning.

Förvara produkten utom räckhåll för barn eller övervakade personer.

Denna produkt (inklusive tillbehör) innehåller en eller flera magneter. Om magneten/magneterna sväljs finns det risk för kvävning, tarmskador, eller andra allvarliga skador. Kontakta genast läkare om någon skulle råka svälja magneten/magneterna.

Försiktighetsåtgärder

- Om du använder TV:n monterad på väggfästet under en längre tid, finns det risk att väggen bakom eller ovanför TV:n missfärgas eller att tapeten lossnar, beroende på väggmaterialet.
- Om du tar bort väggfästet från väggen efter installationen finns skruvhålen kvar i väggen.
- Använd inte väggfästet på platser som är utsatta för mekanisk vibration.

Installera väggfästet

Till Sony-återförsäljare

VARNING

Följande instruktioner gäller bara för Sony-återförsäljare. Läs ovanstående säkerhetsföreskrifter noga och släpp aldrig tanken på säkerheten, vare sig under installation, underhåll eller kontroll av den här produkten.

Installera inte väggfästet på en yta där TV:ns hörn eller sidor skjuter ut från väggen.

Installera inte väggfästet på en yta, till exempel en pelare, där TV:ns hörn eller sidor skjuter ut från väggen. Om en person eller ett föremål råkar slå emot TV:ns utskjutande delar kan det leda till allvarlig person- eller egendomsskada.

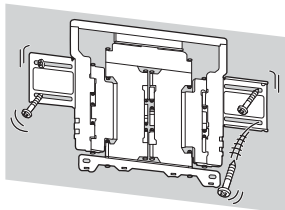


Installera inte TV:n över eller under en luftkonditioneringsanläggning.

Om TV:n utsätts för vattenläckage eller luftströmmar från en luftkonditioneringsanläggning under en längre tid kan det leda till brand, elektriska stötar eller funktionsstörning hos TV:n.

Följ anvisningarna i den här bruksanvisningen noga så att monteringen av väggfästet uppfyller säkerhetskraven.

Om någon av skruvarna sitter löst eller lossnar kan väggfästet lossna och orsaka skador på person eller egendom. Försäkra dig om att du använder skruvar som är lämpliga för väggens material och installera enheten, med fyra skruvar som är 8 mm i diameter (eller motsvarande), på ett säkert sätt.



Följ anvisningarna i den här bruksanvisningen så att de medföljande skruvarna och monteringsdetaljerna blir använda på rätt sätt. Om du använder ersättningsdetaljer kan TV:n falla ner och orsaka personskador eller skador på TV:n.

Se till att fästet monteras ihop korrekt enligt instruktionerna i bruksanvisningen.

Om någon av skruvarna sitter löst eller lossnat helt, kan TV:n lossna och orsaka personskador eller skador på TV:n.

Fäst och dra åt skruvarna på den plats där de är avsedda att sitta.

I annat fall kan TV:n falla ner och orsaka personskador eller skador på TV:n.

Utsätt inte TV:n för stötar vid installationen.

Om TV:n utsätts för stötar kan den falla ner eller gå sönder. Detta kan orsaka personskador.

Installera TV:n på en vägg som är både lodrät och slät.

Annars kan TV:n falla ner och orsaka personskador.

När TV:n installerats på rätt sätt fäster du kablarna ordentligt.

Om personer eller föremål trasslar in sig i kablarna kan det orsaka personskador eller skador på TV:n.

Se till att inte nätkabeln eller anslutningskabeln kommer i kläm.

Om nätkabeln eller anslutningskabeln kläms mellan enheten och väggen, eller böjs och vrids med våld, kan de inre ledarna i kablarna friläggas, vilket kan leda till kortslutning eller strömbrott. Det kan i sin tur leda till brand eller elektrisk stöt.



Skruvarna som behövs för att skruva fast väggfästet på väggen medföljer ej.

Skruva fast väggfästet med skruvar som är avpassade efter väggmaterialet och väggens struktur.

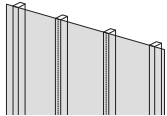
Innan du börjar

- De bilder av TV-apparater som visas i denna manual är exempel avsedda att förtydliga anvisningarna. Det kan därför hända att bilderna skiljer sig från den aktuella TV:ns verkliga utseende.

Vad är din vägg byggd av?

Kontrollera först vilken typ av vägg TV:n ska installeras på.

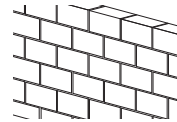
Gipsvägg med träreglar



Försiktighetsåtgärder

- Maximal tjocklek för gipsvägg: 16 mm.
- Säkerställ att storleken av träreglarna är minst 51 mm × 102 mm för vanlig installation eller 38 mm × 89 mm för nominell installation.
- Behåll 406 mm horisontellt utrymme mellan fästena.

Massiv betong eller betongblock



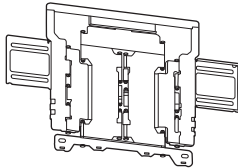



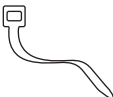
Försiktighetsåtgärder

- Montera väggfästet direkt på den massiva betongväggen.
- Säkerställ att betongväggen är minst 203 mm tjock.
- Säkerställ att storleken av varje betongblock är minst 203 mm × 203 mm × 406 mm.

Kontrollera delarna

Medföljer SU-WL850



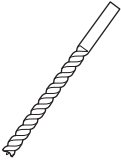
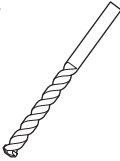
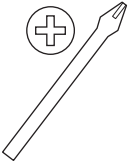
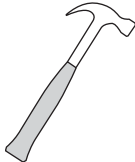
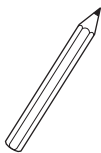

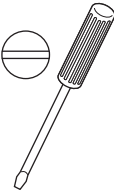
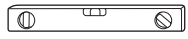


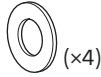
- Kontrollera så att alla delar medföljer.

WM1 (x1) 	WM2 (x1) 	WM3 (x4) 
M6 (x4) 	WT1 (x6) 	

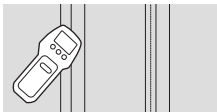
SE

Förbereda installationen

- Ha TV:ns referensmaterial och startguide till hands före installation.
- Kontrollera din TV:s monteringsplats.
- Förbered fyra skruvar med 8 mm diameter och fyra brickor (medföljer ej). Välj skruvar som är lämpliga för väggmaterialet.
- Förbered följande verktyg:

*1 		 5,5 mm	 10 mm	
*2 		 1,5 N·m {15 kgf·cm}	*3  1,5 N·m {15 kgf·cm}	
	*2  (x4)	*4  (x4) 8 mm × 60 mm	*4  (x4)	

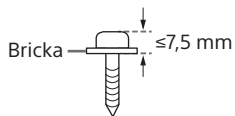
*1 Endast för gipsvägg med träreglar



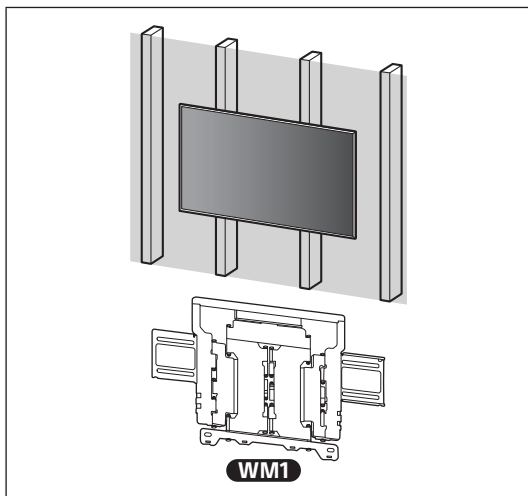
*2 Endast för betongvägg eller betongblock

*3 Beroende på modeller

*4 Var noggrann när du väljer skruvar och brickor



A Montera väggfästet på gipsvägg med träreglar



Montera väggfästet på väggen

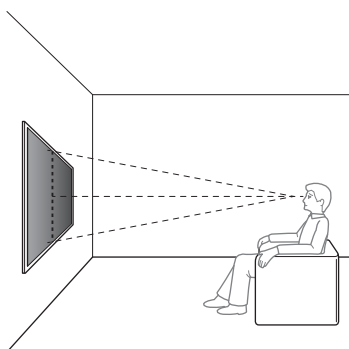
1 Välj installationsplats.

Kontrollera att väggen är stor nog för TV:n och att den är stark nog för en vikt som är sex gånger TV:ns vikt.

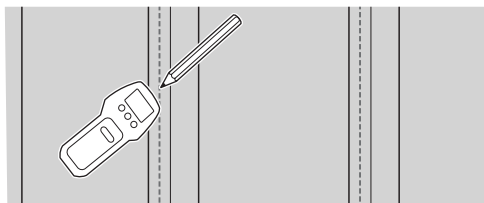
- Se "Mått för montering av väggfäste på väggen" på sidan 17.
- Se TV:ns referensmaterial avseende TV:ns vikt.

Obs!

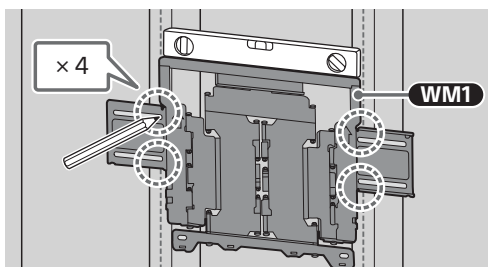
- När TV:n monteras på väggen lutar TV:ns övre sida något framåt.
- Vi rekommenderar att du kontrollerar TV:n placering i visningsmiljön.



2



3 Rikta in WM1 mot väggen och gör fyra markeringar som är inriktade längs träreglarna.

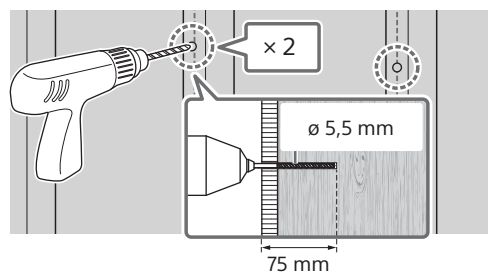


Obs!

- Använd ett vattenpass för att kontrollera så att WM1 är i nivå.

4 Borra övre pilothål på markeringarna.

Se till att den plats på väggen där hålen ska borrar håller för en vikt som är minst sex gånger TV:ns vikt.

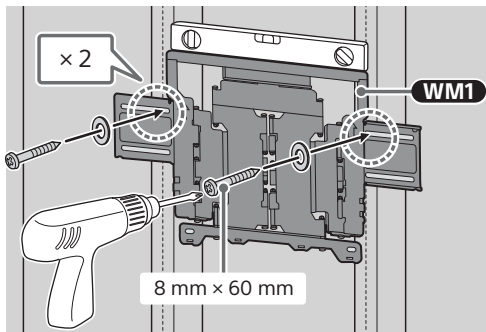


Obs!

- Pilothål måste borrar till ett djup av 75 mm med en borrarpets som är 5,5 mm i diameter.

SE

- 5 Installera **WM1** på väggen med lämpliga skruvar (medföljer ej) och brickor (medföljer ej).



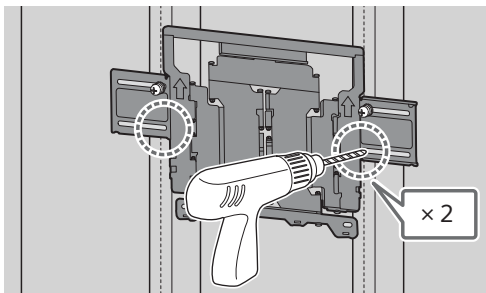
Obs!

- Använd ett vattenpass för att kontrollera så att **WM1** är i nivå.

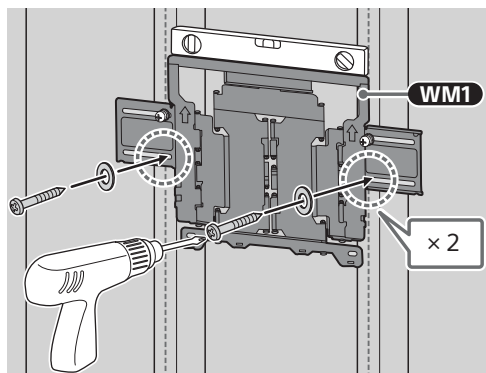
Försiktighetsåtgärd

- Dra inte åt träskruv 8 mm x 60 mm för hårt. Felaktig åtdragning kan minska hålleffekten för träskruv 8 mm x 60 mm.

- 6 Borra nedre pilothål på markeringarna. (Se steg 4 för instruktioner om borring.)



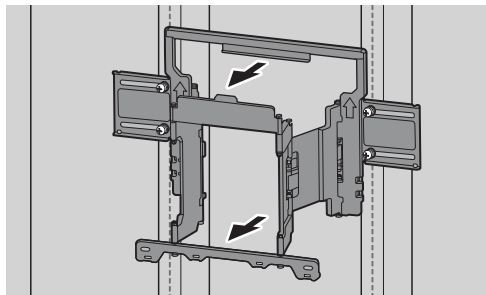
- 7 Montera lämpliga skruvar och brickor i hålen.



Obs!

- Använd ett vattenpass för att kontrollera så att **WM1** är i nivå.

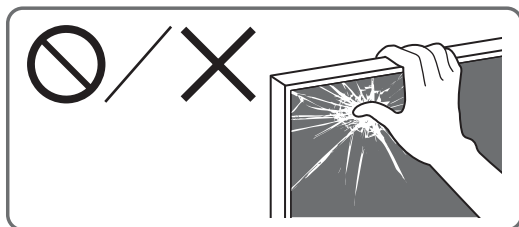
- 8 Dra ut fästets arm hela vägen.



Förbered installationen av TV:n

Obs!

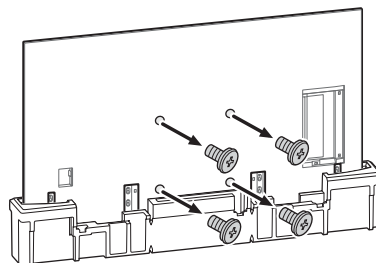
- Var noga med att förvara de borttagna skruvarna och oanvända delarna på en säker plats och håll dem borta från barn.



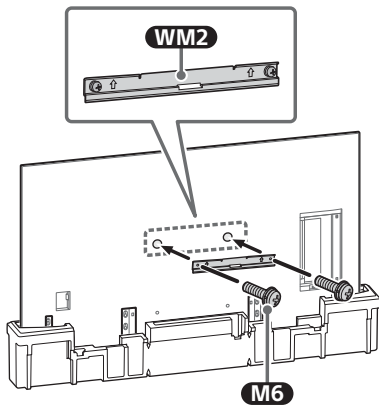
Montera TV:n på väggen ur kartongen*1

*1 Endast för begränsad region/land/modell.

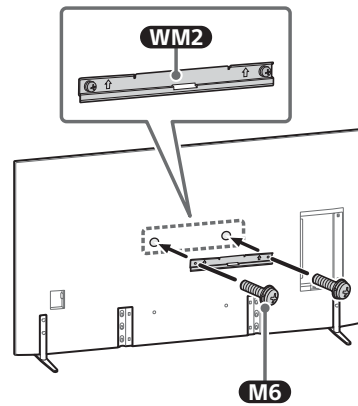
- 1 Ta bort skruvarna från TV:ns baksida.



2 Fäst **WM2** vid TV:n med **M6**.

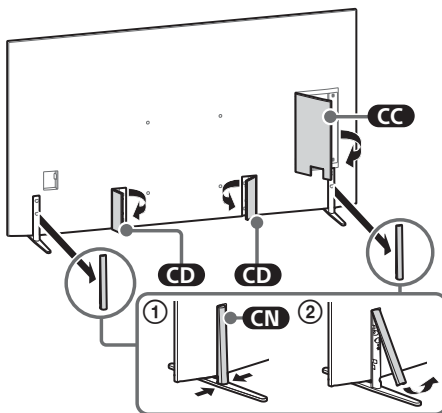


3 Fäst **WM2** vid TV:n med **M6**.

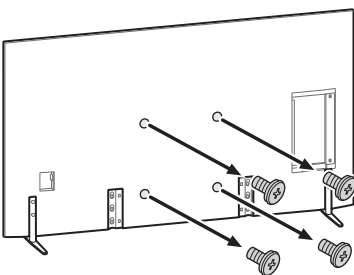


Montera TV:n på väggen från bordsstativ

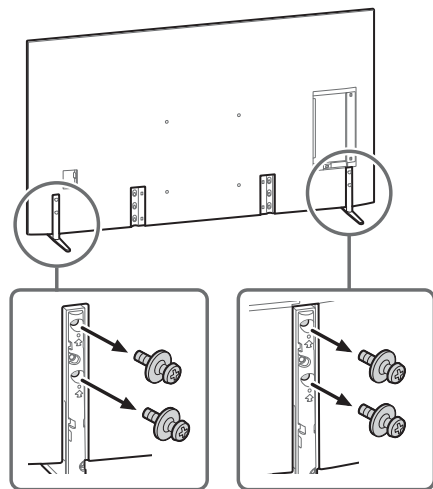
1 Ta bort stativskydden och kontaktskydden.



2 Ta bort skruvarna från TV:ns baksida.



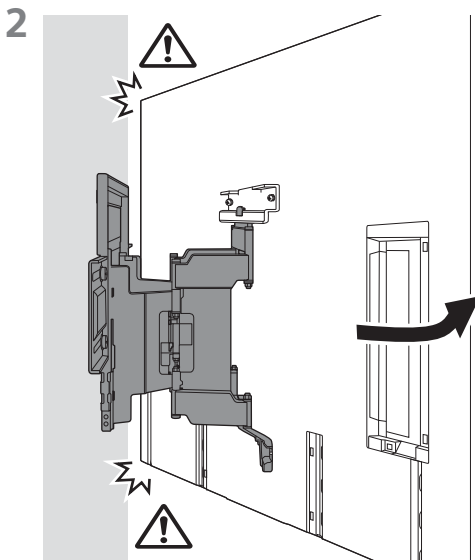
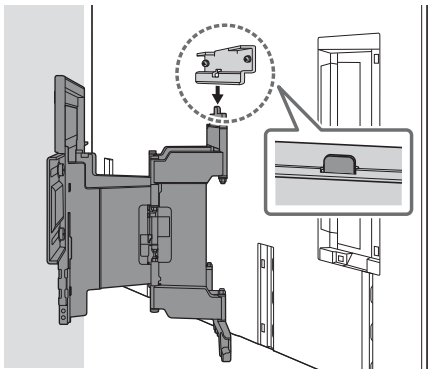
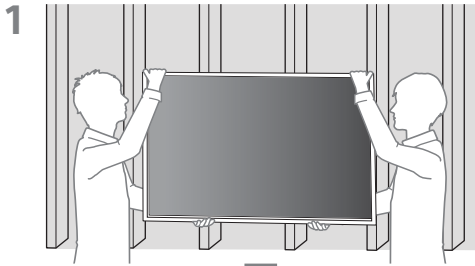
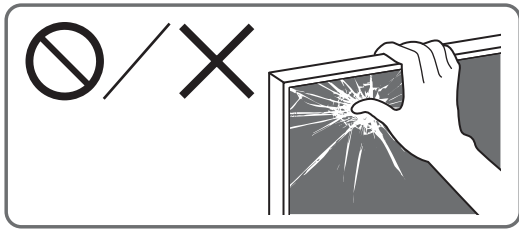
4 Ta loss bordsstativet från TV:n.



Obs!

- Var försiktig när du lyfter TV:n när bordsstativet lossats, eftersom bordsstativet kan välta och orsaka personsador.
- Var försiktig när du tar bort bordsstativ från TV:n för att hindra den från att ramla och skada ytan som TV:n sitter på.

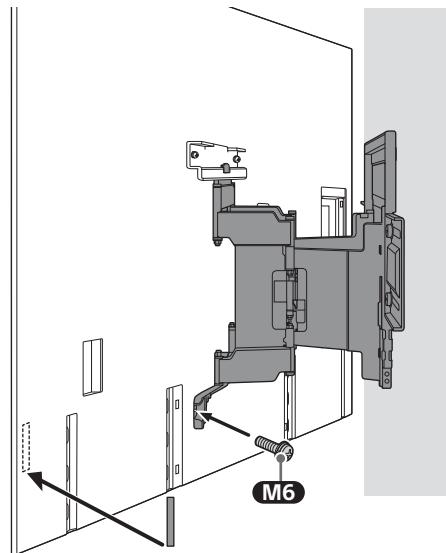
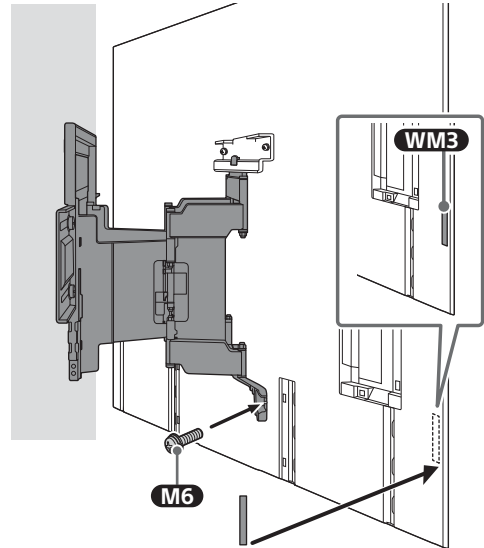
Montera TV:n på väggen

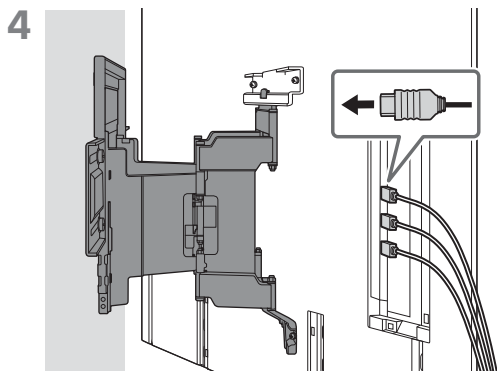


3 Skruva fast den vänstra och högra sidan av väggfästet med **M6** och fäst **WM3**.

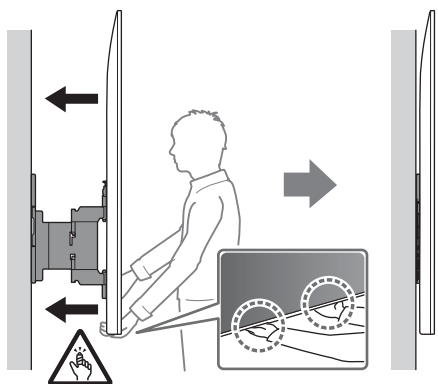
Obs!

- Fäst inte **WM3** på etiketterna.



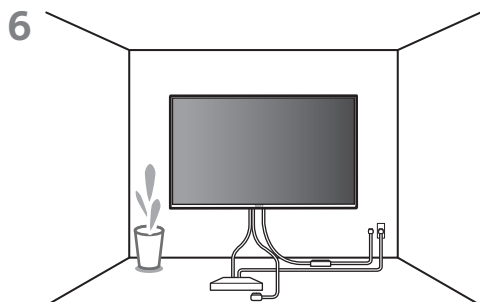


5 Håll ett ordentligt grepp i TV:ns underkant när den ska flyttas.



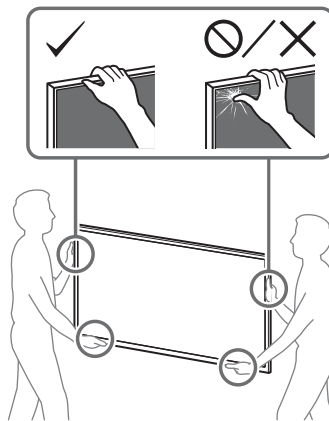
Obs!

- Beroende på vilken typ av och antalet kablar som är anslutna kan det hända att TV:n inte kan flyttas nära intill väggen. Detta är inte något fel.



VARNING

- Det krävs två eller fler personer (tre eller fler personer för 189,3 cm (75 tum) eller större TV) för att bära en stor TV-apparat (utom Egypten).
Det krävs två eller fler personer (tre eller fler personer för 75 tum (189,3 cm) eller större TV) för att bära en stor TV-apparat (endast Egypten).



Kontrollera att installationen har slutförts

Kontrollera följande punkter.

- Sladden och kabeln inte har vridits eller kommit i kläm.

VARNING

- Felaktig placering av nätkabeln etc. leda till brand eller elektriska stötar till följd av en kortslutning. Av säkerhetsskäl är det viktigt att du kontrollerar att installationen har slutförts.

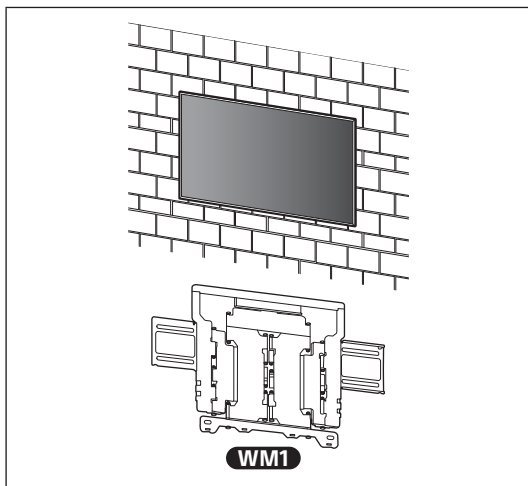
Övrig information

Ta bort TV:n genom att utföra installationsförfarandet i omvänd ordning.

VARNING

- Det krävs två eller fler personer (tre eller fler personer för 189,3 cm (75 tum) eller större TV) för att bära en stor TV-apparat (utom Egypten).
Det krävs två eller fler personer (tre eller fler personer för 75 tum (189,3 cm) eller större TV) för att bära en stor TV-apparat (endast Egypten).

B Montera väggfästet på massiv betong eller betongblock



Montera väggfästet på väggen

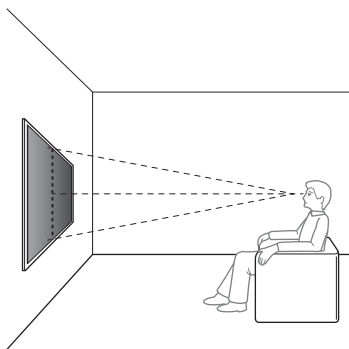
1 Välj installationsplats.

Kontrollera att väggen är stor nog för TV:n och att den är stark nog för en vikt som är sex gånger TV:ns vikt.

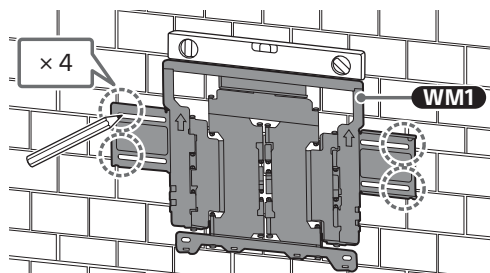
- Se "Mått för montering av väggfäste på väggen" på sidan 17.
- Se TV:ns referensmaterial avseende TV:ns vikt.

Obs!

- När TV:n monteras på väggen lutar TV:ns övre sida något framåt.
- Vi rekommenderar att du kontrollerar TV:n placering i visningsmiljön.



2 Rikta in WM1 mot väggen och gör fyra markeringar.

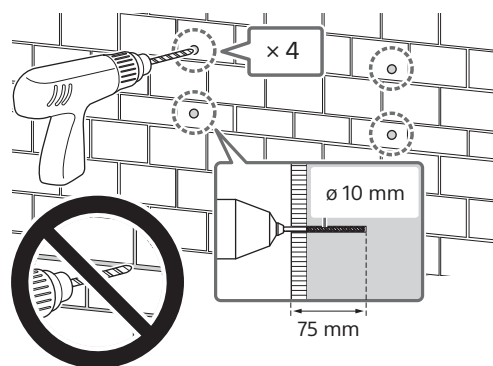


Obs!

- Använd ett vattenpass för att kontrollera så att WM1 är i nivå.

3 Borra ledhål i de markeringar du gjort.

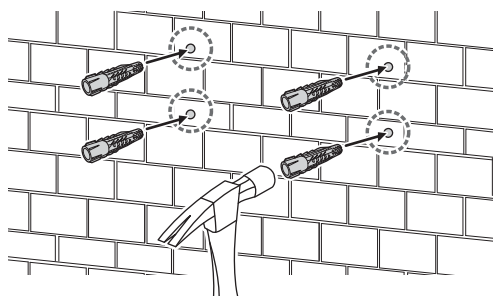
Se till att den plats på väggen där hålen ska borrar håller för en vikt som är minst sex gånger TV:ns vikt.



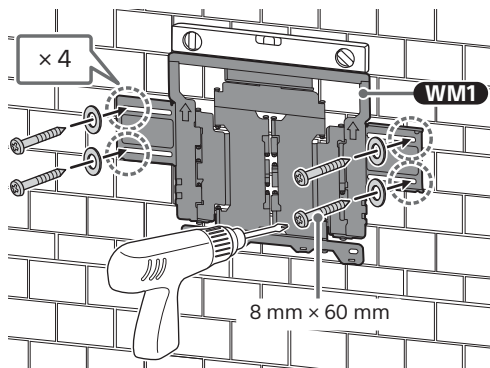
Obs!

- Pilothål måste borrar till ett djup av 75 mm med en borrarpets som är 10 mm i diameter.

4



- 5 Installera **WM1** på väggen med lämpliga skruvar (medföljer ej) och bricker (medföljer ej).



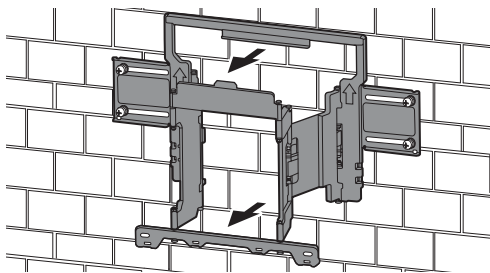
Obs!

- Använd ett vattenpass för att kontrollera så att **WM1** är i nivå.

Försiktighetsåtgärd

- Dra inte åt träskruv 8 mm x 60 mm för hårt. Felaktig åtdragning kan minska hålleffekten för träskruv 8 mm x 60 mm.

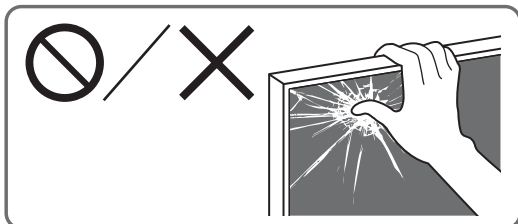
- 6 Dra ut fästets arm hela vägen.



Förbered installationen av TV:n

Obs!

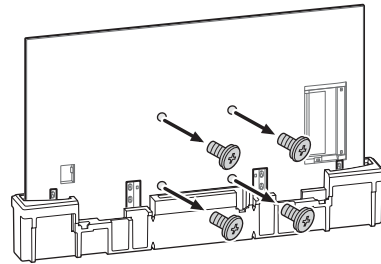
- Var noga med att förvara de borttagna skruvarna och oanvända delarna på en säker plats och håll dem borta från barn.



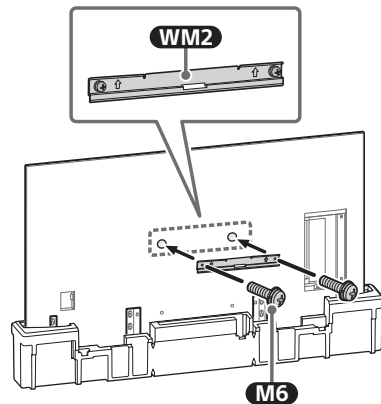
Montera TV:n på väggen ur kartongen*1

*1 Endast för begränsad region/land/modell.

- 1 Ta bort skruvarna från TV:ns baksida.

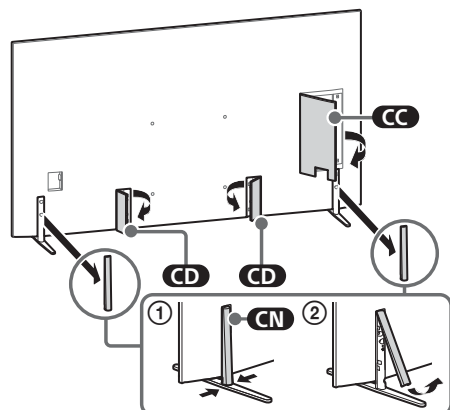


- 2 Fäst **WM2** vid TV:n med **M6**.

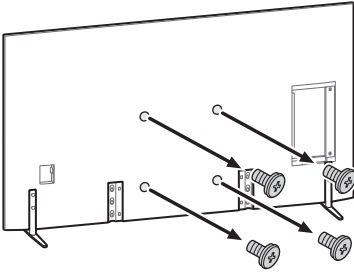


Montera TV:n på väggen från bordsstativ

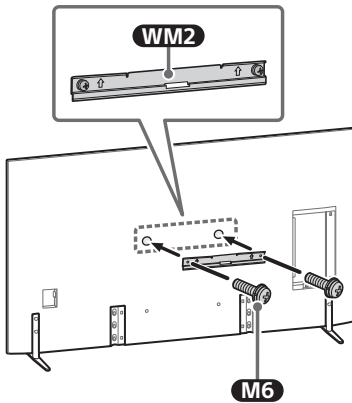
- 1 Ta bort stativskydden och kontaktskydden.



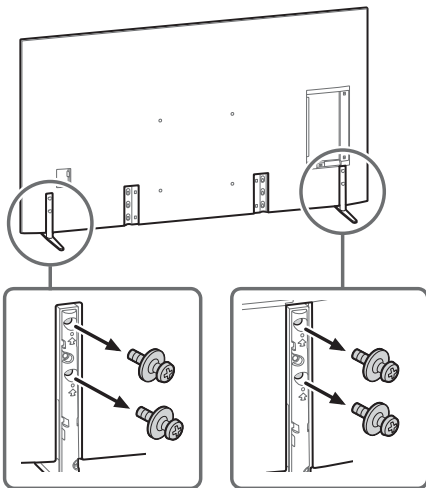
- 2 Ta bort skruvarna från TV:ns baksida.



- 3 Fäst WM2 vid TV:n med M6.



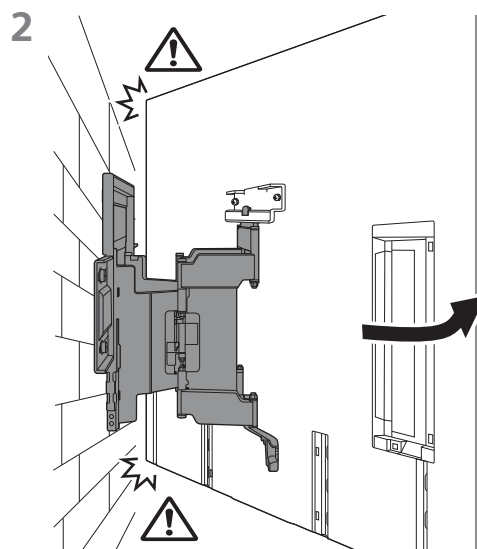
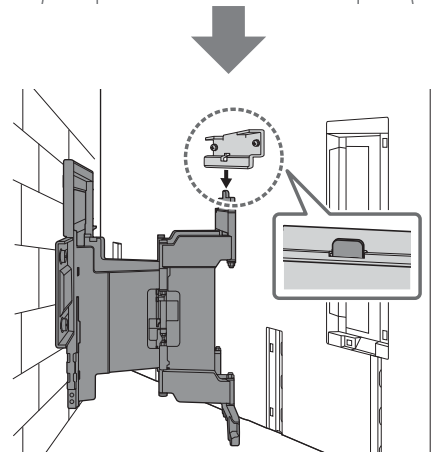
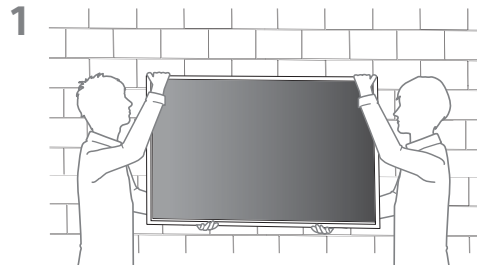
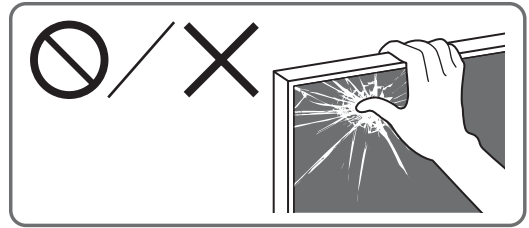
- 4 Ta loss bordsstativet från TV:n.



Obs!

- Var försiktig när du lyfter TV:n när bordsstativet lossats, eftersom bordsstativet kan välta och orsaka personsador.
- Var försiktig när du tar bort bordsstativ från TV:n för att hindra den från att ramla och skada ytan som TV:n sitter på.

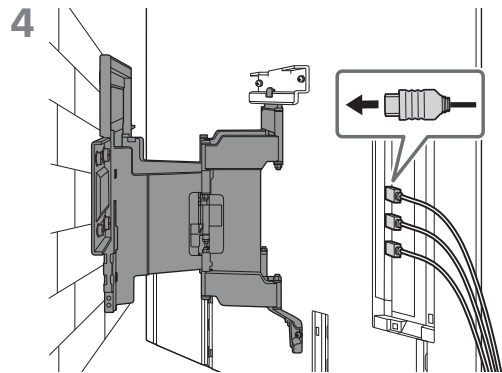
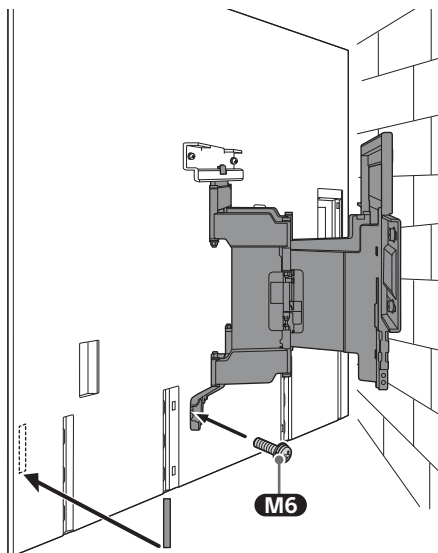
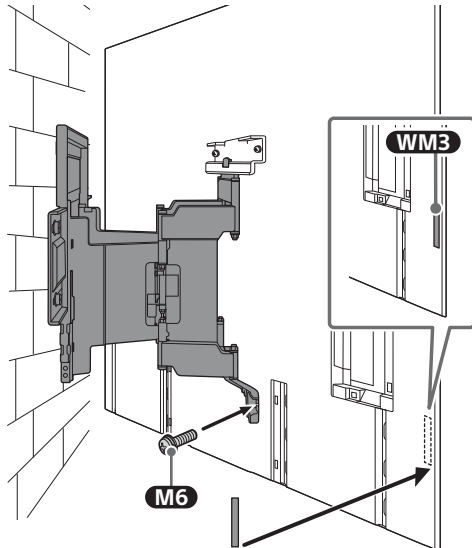
Montera TV:n på väggen



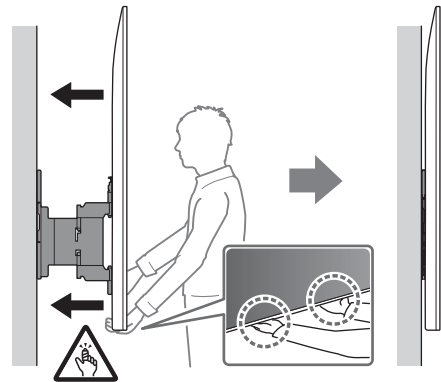
3 Skruva fast den vänstra och högra sidan av väggfästet med **M6** och fäst **WM3**.

Obs!

- Fäst inte **WM3** på etiketterna.

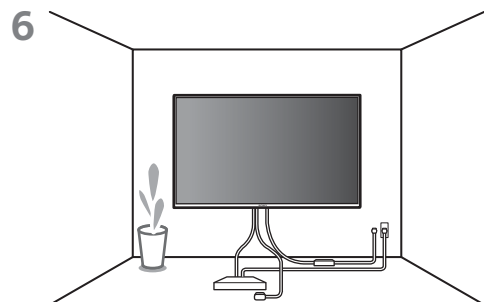


5 Håll ett ordentligt grepp i TV:ns underkant när den ska flyttas.



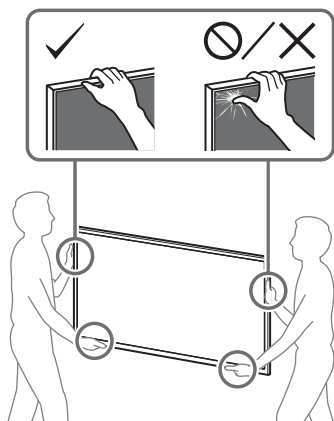
Obs!

- Beroende på vilken typ av och antalet kablar som är anslutna kan det hända att TV:n inte kan flyttas nära intill väggen. Detta är inte något fel.



VARNING

- Det krävs två eller fler personer (tre eller fler personer för 189,3 cm (75 tum) eller större TV) för att bära en stor TV-apparat (utom Egypten).
Det krävs två eller fler personer (tre eller fler personer för 75 tum (189,3 cm) eller större TV) för att bära en stor TV-apparat (endast Egypten).



Kontrollera att installationen har slutförts

Kontrollera följande punkter.

- Sladden och kabeln inte har vridits eller kommit i kläm.

VARNING

- Felaktig placering av nätkabeln etc. leda till brand eller elektriska stötar till följd av en kortslutning. Av säkerhetsskäl är det viktigt att du kontrollerar att installationen har slutförts.

Övrig information

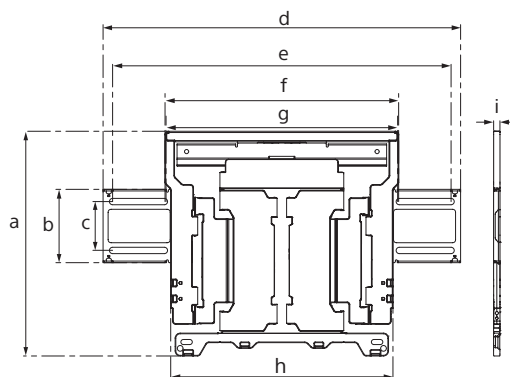
Ta bort TV:n genom att utföra installationsförfarandet i omvänd ordning.

VARNING

- Det krävs två eller fler personer (tre eller fler personer för 189,3 cm (75 tum) eller större TV) för att bära en stor TV-apparat (utom Egypten).
Det krävs två eller fler personer (tre eller fler personer för 75 tum (189,3 cm) eller större TV) för att bära en stor TV-apparat (endast Egypten).

Specifikationer

WM1



Mått: (Ca.) [mm]

- a : 354
- b : 116
- c : 77
- d : 563
- e : 533
- f : 370
- g : 368
- h : 350
- i : 11

Vikt (endast bas): (Ca.) [kg]

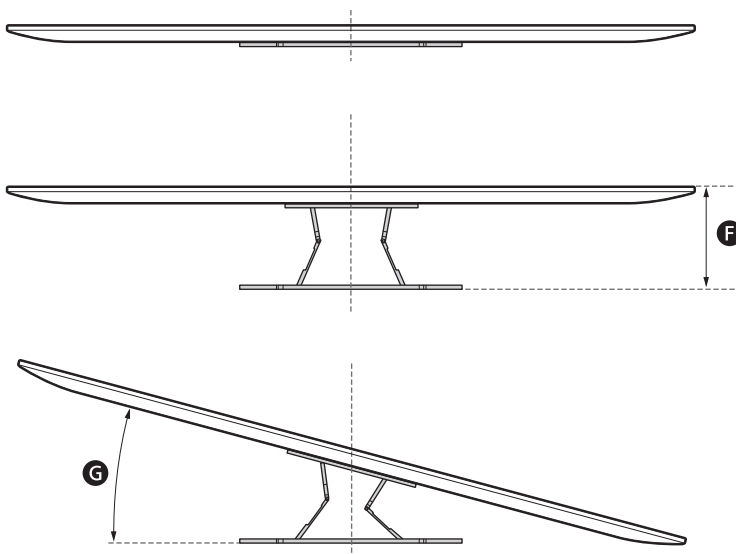
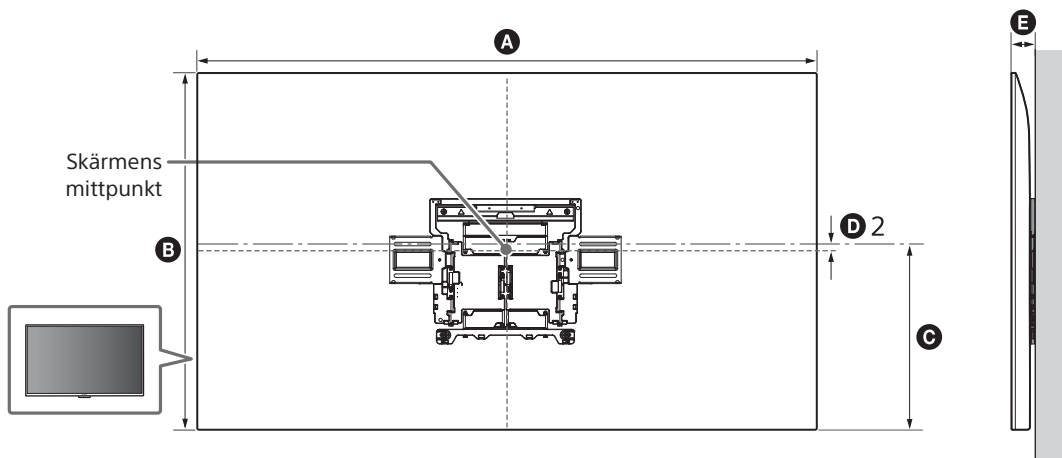
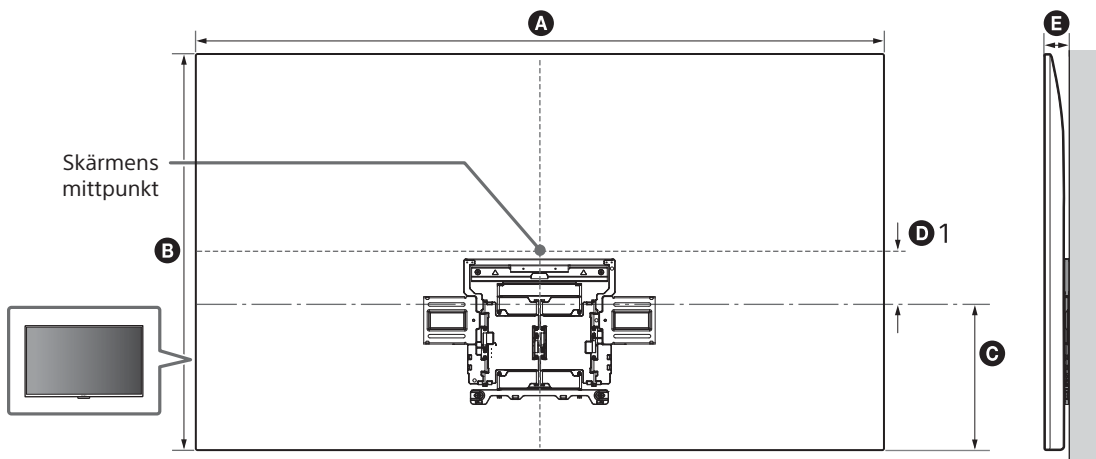
3,0

Design och specifikationer kan ändras utan föregående meddelande.

Referenser

Mått för montering av väggfäste på väggen

Värdena i tabellen kan variera en aning beroende på installationen.



SE

(mm)

Modellnamn	A	B	C	D 1	D 2	E	F ^{*1}	G ^{*1} (°)
K-77XR8x	1 713	984	362	139	-	48	251,4	12
K-65XR8x	1 442	829	362	57	-	48	250,8	17
K-55XR8x	1 223	706	362	-	3	48	250,8	19

*1 (Cirka)

Informacje dotyczące instalacji w celu korzystania z uchwytu ściennego firmy Sony (SU-WL850)

Obsługiwane modele*1:

*1 Symbol „x”/„xx” w rzeczywistych nazwach modeli wskazuje cyfry i/lub znaki specyficzne dla danego modelu.

K-77XR8x / 65XR8x / 55XR8x

Do Klientów

W celu zapewnienia ochrony produktu i bezpieczeństwa firma Sony zdecydowanie zaleca przeprowadzenie montażu telewizora przez dystrybutorów Sony lub licencjonowanych wykonawców. Nie należy podejmować samodzielnych prób montażu.

Do dystrybutorów Sony i wykonawców

Podczas montażu, okresowej konserwacji i sprawdzania tego produktu należy przestrzegać wszystkich zasad bezpieczeństwa.

Do zamontowania tego produktu konieczne jest posiadanie odpowiedniego doświadczenia, co dotyczy szczególnie sprawdzania nośności ściany w celu podtrzymania ciężaru telewizora. Montaż tego produktu do ściany należy powierzyć dystrybutorom Sony lub licencjonowanym wykonawcom, zwracając odpowiednią uwagę na kwestie bezpieczeństwa podczas montażu. Firma Sony nie ponosi odpowiedzialności za żadne szkody lub obrażenia wynikające z nieprawidłowego postępowania lub nieprawidłowego montażu.

W celu zapewnienia bezpiecznego i prawidłowego montażu należy stosować się do zaleceń przedstawionych w Instrukcji obsługi uchwytu ściennego, Przewodniku ustawień telewizora oraz do wskazówek podanych w niniejszej instrukcji.

Uchwyt ścienny

Informacje dotyczące bezpieczeństwa

Dziękujemy za zakup tego produktu.

Do Klientów

Montaż telewizora na ścianie



OSTRZEŻENIE

WYMAGANY FACHOWY MONTAŻ

Montaż produktu powinien wykonać tylko profesjonalny instalator, mający odpowiednie kwalifikacje, aby określić, czy ściana utrzyma masę telewizora. Jeśli telewizor nie zostanie odpowiednio zabezpieczony podczas montażu, może spaść i spowodować poważne obrażenia ciała. Firma Sony nie ponosi odpowiedzialności za jakiegokolwiek szkody lub obrażenia ciała wynikające z nieprawidłowej obsługi lub montażu bądź instalacji innych urządzeń niż określony produkt. To zastrzeżenie nie ogranicza praw ustawowych klientów (jeśli takie przysługują).

Do dystrybutorów Sony

Do zamontowania tego produktu konieczne jest posiadanie odpowiedniego doświadczenia. Należy dokładnie przeczytać tę instrukcję obsługi, aby zapewnić bezpieczny przebieg prac montażowych. Firma Sony nie ponosi odpowiedzialności za żadne szkody lub obrażenia wynikające z nieprawidłowego postępowania lub nieprawidłowego montażu. Po zakończeniu montażu należy przekazać tę instrukcję klientowi.

W tej instrukcji obsługi przedstawiono prawidłową obsługę produktu oraz ważne środki ostrożności, mające na celu zapobieżenie wypadkom. Użytkownik ma obowiązek uważnie i ze zrozumieniem przeczytać wszystkie wskazówki w niniejszej instrukcji obsługi i postępować zgodnie z ich treścią. W przeciwnym razie może dojść do poważnych obrażeń ciała lub zniszczenia mienia, a także do unieważnienia gwarancji. Należy zachować tę instrukcję w celu wykorzystania w przyszłości.

Produkty firmy Sony są projektowane z myślą o zapewnieniu bezpieczeństwa. Nieprawidłowe korzystanie z produktów może jednak spowodować poważne obrażenia na skutek pożaru, porażenia prądem elektrycznym, przewrócenia się produktu lub jego upadku. Należy przestrzegać środków ostrożności, aby uniknąć tego typu wypadków.

Nadzór nad dystrybucją na terytorium RP :
Sony Europe B.V.
Da Vincilaan 7-D1, 1930 Zaventem, Belgia

UWAGA

Określone produkty

Ten uchwyt ścienny został zaprojektowany z myślą o użyciu z określonymi modelami telewizorów. W Przewodniku telewizora można sprawdzić, czy uchwytu ściennego można użyć z danym telewizorem.

Do Klientów

OSTRZEŻENIE

Nieprzestrzeganie poniższych środków ostrożności może spowodować poważne obrażenia lub śmierć na skutek pożaru, porażenia prądem elektrycznym lub upadku produktu.

Należy zlecać montaż licencjonowanym wykonawcom i zapewnić, aby podczas montażu nie znajdowały się w pobliżu małe dzieci.

Jeśli uchwyt ścienny lub telewizor nie zostaną zamontowane prawidłowo, może to skutkować następującymi wypadkami. Należy zlecać montaż licencjonowanym wykonawcom.

- Telewizor może spaść, powodując poważne obrażenia, takie jak stłuczenia czy złamania.
- Jeśli ściana, na której montowany jest uchwyt ścienny, jest niestabilna, nierówna albo nieprostopadła do podłogi, urządzenie może spaść, powodując obrażenia lub uszkodzenia mienia. Ściana powinna być w stanie utrzymać masę co najmniej sześciokrotnie większą od masy telewizora. (Ciężar telewizora jest podany w jego Przewodniku).
- Jeśli montaż uchwytu ściennego do ściany nie zostanie wykonany odpowiednio mocno, urządzenie może spaść, powodując obrażenia lub uszkodzenia mienia.

Należy zlecać przemieszczanie i demontaż telewizora licencjonowanym wykonawcom.

Jeśli przemieszczaniem lub demontażem telewizora będą zajmować się osoby inne niż licencjonowani wykonawcy, telewizor może spaść, powodując obrażenia lub uszkodzenia mienia. Do przenoszenia dużego telewizora potrzeba dwóch lub więcej osób (trzech lub więcej w przypadku telewizorów o przekątnej 189,3 cm (75 cali) lub większej) (z wyjątkiem Egiptu). Do przenoszenia dużego telewizora potrzeba dwóch lub więcej osób (trzech lub więcej w przypadku telewizorów o przekątnej 75 cali (189,3 cm) lub większej) (dotyczy tylko Egiptu).

Po zamontowaniu telewizora nie wykręcać śrub itp.

Na skutek takiego działania telewizor może spaść, powodując obrażenia lub uszkodzenia mienia.

Nie modyfikować elementów uchwytu ściennego.

Na skutek takiego działania uchwyt ścienny może spaść, powodując obrażenia lub uszkodzenia mienia.

Nie montować innych urządzeń niż określony produkt.

Ten uchwyt ścienny jest przewidziany do użytku wyłącznie z określonymi produktami. W przypadku zamontowania urządzenia innego niż określone, może ono spaść, powodując obrażenia lub uszkodzenia mienia.

Nie obciążać uchwytu ściennego obciążeniem innym niż telewizor. Nie potrząsaj telewizorem na boki ani w górę/w dół.

Na skutek takiego działania telewizor może spaść, powodując obrażenia lub uszkodzenia mienia.

Nie wieszac się ani nie opierać na telewizorze.

Nie wieszac się ani nie opierać na telewizorze, gdyż na skutek takiego działania telewizor może spaść, powodując poważne obrażenia.

UWAGA

Nieprzestrzeganie poniższych środków ostrożności może spowodować obrażenia lub uszkodzenia mienia.

- Uważać, aby nie przyciąć sobie palców, trzymając uchwyt ścienny lub obracając telewizor.
- Obracając telewizor, zachowaj ostrożność i uważaj na osoby w twoim otoczeniu.
- Niewykorzystane części należy przechować w bezpiecznym miejscu do późniejszego wykorzystania. Należy je przechować w miejscu niedostępnym dla dzieci.

Podczas czyszczenia i konserwacji nie wywierać zbyt mocnego nacisku na produkt.

Nie naciskać zbyt mocno telewizora od góry. Na skutek takiego działania telewizor może spaść, powodując obrażenia lub uszkodzenia mienia.

PL

Nie umieszczaj produktu w sąsiedztwie urządzeń medycznych.

Ten produkt (wraz z osprzętem) wyposażony jest w magnes(y) mogący(-e) zakłócać pracę rozruszników serca, programowalnych zastawek przetokowych do leczenia wodogłowia lub innych urządzeń medycznych. Nie należy umieszczać produktu w pobliżu osób, które korzystają ze wspomnianych urządzeń medycznych. Jeżeli stosowane są wspomniane urządzenia medyczne, przed przystąpieniem do użytkowania tego produktu należy zasięgnąć porady lekarskiej.

Przechowywać w miejscu niedostępnym dla dzieci lub osób wymagających nadzoru.

Ten produkt (wraz z osprzętem) wyposażony jest w magnes(y). Połknięcie magnes(ów) grozi poważnymi obrażeniami, na przykład zadławieniem się lub urazami jelit. W razie połknięcia magnes(ów) (lub magnesu) należy natychmiast zasięgnąć porady lekarskiej.

Środki ostrożności

- W przypadku długotrwałego użytkowania telewizora zamontowanego na uchwycie ściennym ściana za lub ponad telewizorem może ulec odbarwieniu albo tapeta może się odkleić, w zależności od rodzaju materiału, jakim pokryta jest ściana.
- Po zdemontowaniu zamontowanego wcześniej do ściany uchwytu ściennego otwory w ścianie pozostają.
- Nie używać uchwytu ściennego w miejscach narażonych na drgania mechaniczne.

Montaż uchwytu ściennego

Do dystrybutorów Sony

OSTRZEŻENIE

Poniższe instrukcje są przeznaczone wyłącznie dla dystrybutorów Sony. Należy przeczytać powyższe środki ostrożności, zwracając szczególną uwagę na bezpieczeństwo podczas montażu, konserwacji i sprawdzania tego produktu.

Nie montować uchwytu ściennego na powierzchniach, w przypadku których narożniki lub boki telewizora mogłyby wystawać poza powierzchnię.

Nie montować uchwytu ściennego na powierzchniach takich jak filary, w przypadku których narożniki lub boki telewizora mogłyby wystawać poza powierzchnię. W razie uderzenia narożnika lub boku telewizora przez osobę lub obiekt mogłoby to spowodować obrażenia lub uszkodzenia mienia.

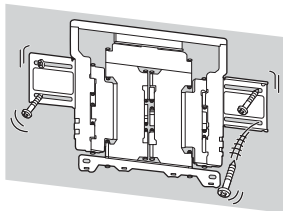


Nie montować telewizora nad lub pod klimatyzatorem.

W przypadku narażenia telewizora przez dłuższy czas na wycieki wody albo strumienia powietrza z klimatyzatora może dojść do porażenia prądem elektrycznym lub awarii telewizora.

Uchwyt ścienny należy mocno zamocować do ściany, zgodnie ze wskazówkami podanymi w tej instrukcji obsługi.

Jeśli którakolwiek ze śrub poluzuje się lub wypadnie, uchwyt ścienny może spaść, powodując obrażenia lub uszkodzenia mienia. Należy używać śrub odpowiednich do materiału, z którego wykonana jest ściana i zamontować uchwyt za pomocą czterech śrub o średnicy 8 mm (lub odpowiedników).



Należy używać dostarczonych śrub i elementów montażowych w prawidłowy sposób, zgodnie ze wskazówkami podanymi w tej instrukcji obsługi. W przypadku używania elementów zastępczych telewizor może spaść, powodując obrażenia lub uszkodzenie telewizora.

Uchwyt należy zamontować w prawidłowy sposób, zgodnie ze wskazówkami podanymi w tej instrukcji obsługi.

Jeśli którakolwiek ze śrub poluzuje się lub wypadnie, telewizor może spaść, powodując obrażenia lub uszkodzenie telewizora.

Śruby należy mocno wkręcać w wyznaczonych miejscach.

W innym przypadku telewizor może spaść, powodując obrażenia lub uszkodzenie telewizora.

Nie narażać telewizora na wstrząsy podczas montażu.

Na skutek wstrząsów telewizor może spaść lub rozpaść się. Może to spowodować obrażenia.

Montować telewizor na ścianie prostopadłej do podłogi i płaskiej.

W innym przypadku telewizor może spaść, powodując obrażenia.

Po zamontowaniu telewizora w prawidłowy sposób zamocować kable.

Zaplątanie się osób lub obiektów w kable może spowodować obrażenia lub uszkodzenia.

Nie dopuszczać do zaciśnięcia przewodu zasilającego lub kabli łączących.

W przypadku zaciśnięcia przewodu zasilającego lub kabli łączących pomiędzy urządzeniem a ścianą albo ich zginania lub skręcania na siłę może dojść do odłonięcia wewnętrznych żył, a co za tym idzie do zwarcia lub przerwy w obwodzie. Może to spowodować pożar lub porażenie prądem elektrycznym.



Śruby potrzebne do zamontowania uchwytu ściennego do ściany nie są dostarczone.

Podczas montażu uchwytu ściennego należy używać śrub odpowiednich do materiału i struktury ściany.

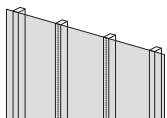
Przed rozpoczęciem

- Ilustracje telewizora przedstawione w niniejszej instrukcji to jedynie przykłady wykorzystane w celu zapewnienia skutecznego objaśnienia wymaganych czynności. Z tego powodu urządzenia na ilustracjach mogą wyglądać inaczej od rzeczywistego telewizora.

Z jakiego materiału wykonana jest ściana?

Sprawdzić, z jakiego materiału wykonana jest ściana, na której będzie zawieszany telewizor.

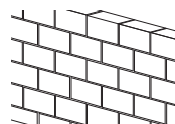
Płyta KG ze stelażem



Środki ostrożności

- Maksymalna grubość płyty KG: 16 mm.
- Upewnić się, że wymiary drewnianej deski stelażowej wewnętrznej są nie mniejsze niż 51 mm × 102 mm dla wymiarów typowych lub 38 mm × 89 mm dla wymiarów nominalnych.
- Pomiedzy elementami mocującymi należy zachować nie mniej niż 406 mm odstępów.

Lita ściana z betonu lub bloczków betonowych



Środki ostrożności

- Uchwyt ścienny należy montować bezpośrednio na powierzchnię litej ściany betonowej.
- Grubość litej ściany betonowej powinna być nie mniejsza niż 203 mm.
- Wymiary bloczków, z których wykonana jest ściana, powinny być nie mniejsze niż 203 mm × 203 mm × 406 mm.

PL

Sprawdzenie elementów



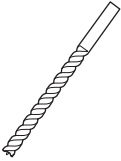
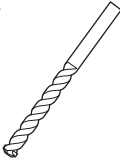
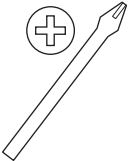
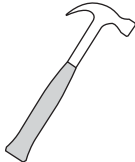
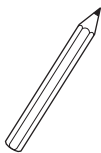
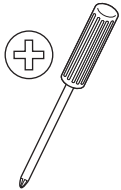
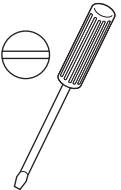
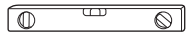


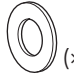
Dostarczone z uchwytem SU-WL850

- Sprawdzić, czy wszystkie elementy zostały dostarczone.

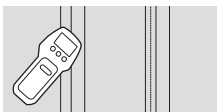
WM1 (x1) 	WM2 (x1) 	WM3 (x4)
M6 (x4) 	WT1 (x6) 	

Przygotowanie do montażu

- W czasie instalacji należy mieć do dyspozycji Przewodnik telewizora oraz Przewodnik ustawień.
- Wybrać miejsce montażu telewizora.
- Przygotować cztery wkręty o średnicy 8 mm i cztery odpowiednie podkładki (nie należą do wyposażenia). Wybrać śruby odpowiednie do materiału, z którego wykonana jest ściana.
- Przygotuj następujące narzędzia:

*1 		 5,5 mm	 10 mm	
*2 		 1,5 N·m {15 kgf·cm}	*3  1,5 N·m {15 kgf·cm}	
	*2  (x4)	*4  (x4) 8 mm × 60 mm	*4  (x4)	

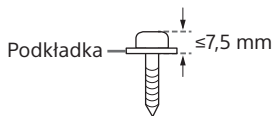
*1 Tylko do płyt KG ze stelażem



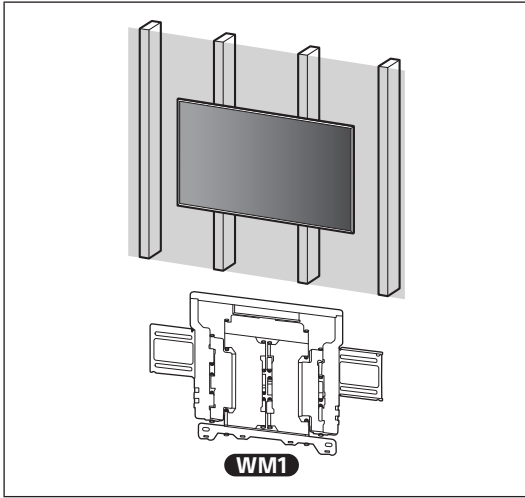
*2 Tylko do litych ścian betonowych lub z bloczków betonowych

*3 W zależności od modeli

*4 Podczas dobierania wkrętów i podkładek należy zachować ostrożność



A Montaż uchwyty ścienne do płyty gipsowo-kartonowej ze stelażem



Montaż uchwyty ścienne na ścianie

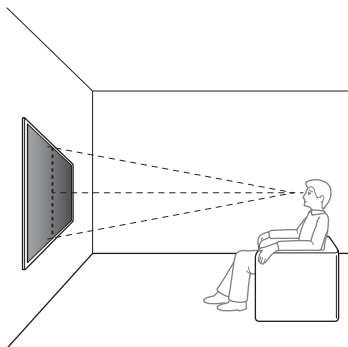
1 Wybrać miejsce montażu.

Upewnić się, że na ścianie jest wystarczająco dużo miejsca dla telewizora, a także że ściana jest w stanie unieść ciężar co najmniej sześciokrotnie większy od ciężaru telewizora.

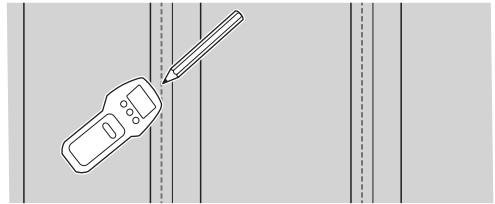
- Patrz „Wymiary do instalacji uchwyty ścienne na ścianie” na stronie 18.
- Ciężar telewizora można sprawdzić w jego Przewodniku.

Uwaga

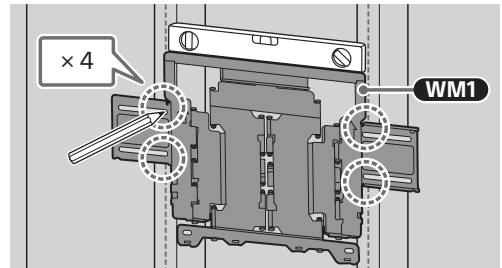
- Po zamontowaniu telewizora na ścianie jego górna część jest lekko przechylona do przodu.
- Zalecamy sprawdzenie pozycji telewizora w miejscu oglądania.



2



3 Przyłożyć element WM1 do ściany i oznaczyć cztery miejsca na otwory na belkach stelażu.

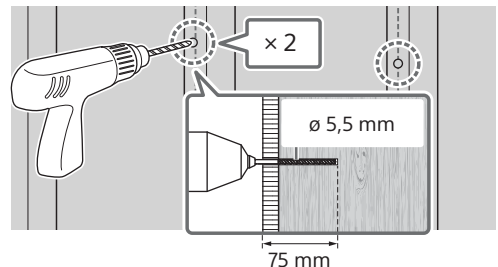


Uwaga

- Użyj poziomnicy, aby sprawdzić czy element WM1 jest wypoziomowany.

4 Wywiercić górne otwory pilotażowe w oznaczonych punktach.

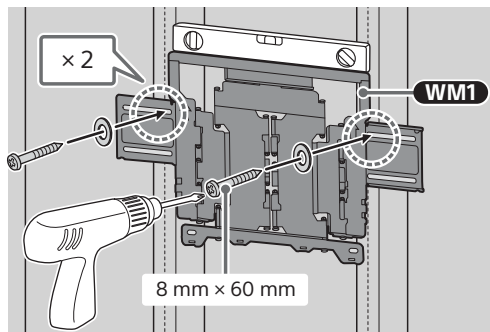
Upewnić się, że miejsce wywiercenia otworów w ścianie ma wytrzymałość zapewniającą uniesienie ciężaru co najmniej sześciokrotnie większego od ciężaru telewizora.



Uwaga

- Otwory pilotażowe należy wywiercić na głębokość 75 mm za pomocą wiertła o średnicy 5,5 mm.

- 5 Zamontować element **WM1** na ścianie za pomocą odpowiednich wkrętów (nie należą do wyposażenia) i podkładek (nie należą do wyposażenia).



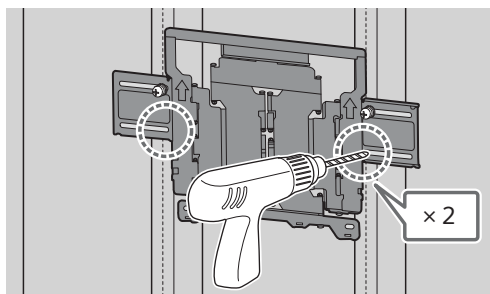
Uwaga

- Użyj poziomicy, aby sprawdzić czy element **WM1** jest wypoziomowany.

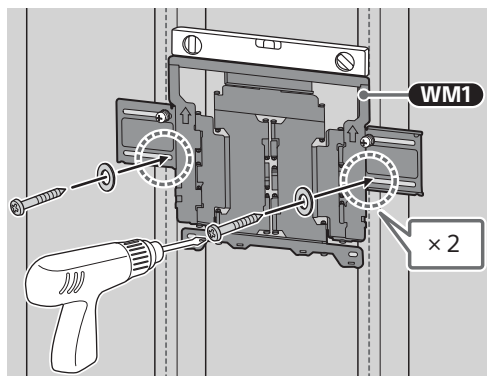
Środki ostrożności

- Nie dokręcać zbyt mocno drewnianej śruby 8 mm x 60 mm. Nieprawidłowa siła dokręcania może obniżyć sprawność działania drewnianej śruby 8 mm x 60 mm.

- 6 Wywiercić dolne otwory pilotażowe w oznaczonych punktach. (Instrukcje dotyczące wiercenia otworów można znaleźć w kroku 4.)



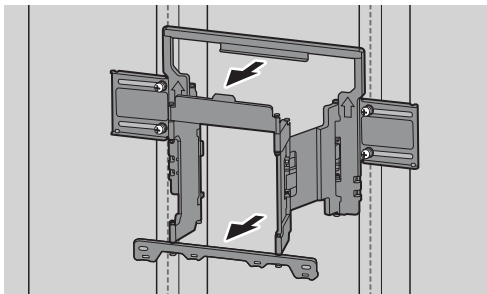
- 7 Włożyć odpowiednie śruby i podkładki do otworów.



Uwaga

- Użyj poziomicy, aby sprawdzić czy element **WM1** jest wypoziomowany.

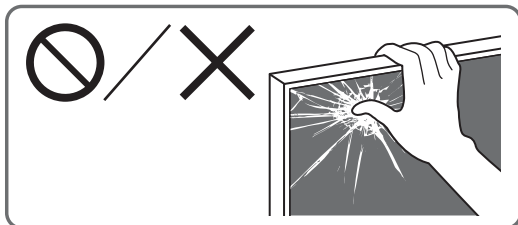
- 8 Wyciągnąć ramię wspornika aż do samego końca.



Przygotowanie do montażu telewizora

Uwaga

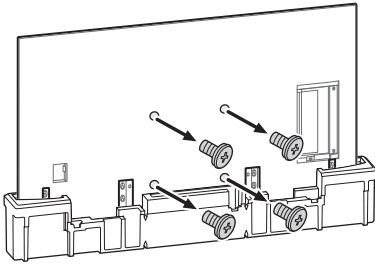
- Wykręcone śruby i niewykorzystane części przechowywać w bezpiecznym miejscu z dala od dzieci.



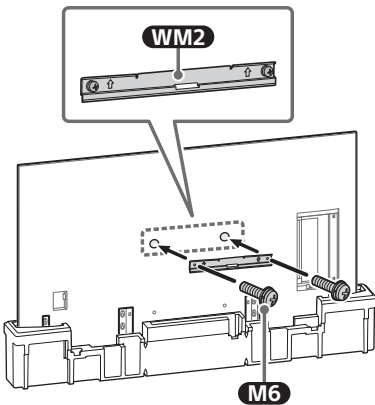
Montaż telewizora na ścianie - karton*1

*1 Wyłącznie w przypadku niektórych regionów/krajów/modeli.

1 Odkręć śruby z tyłu telewizora.

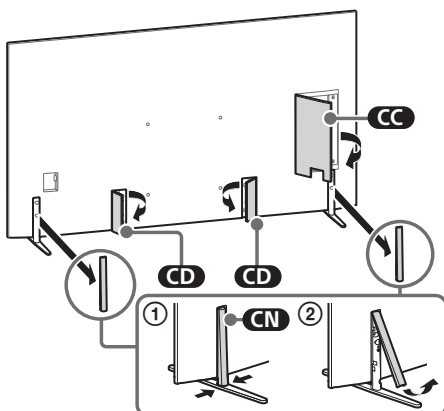


2 Zamontować element **WM2** do telewizora za pomocą **M6**.

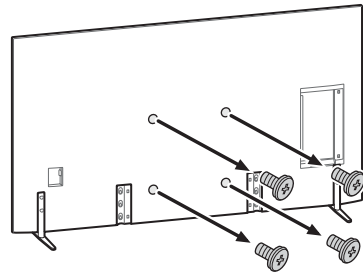


Montaż telewizora na ścianie z podstawy

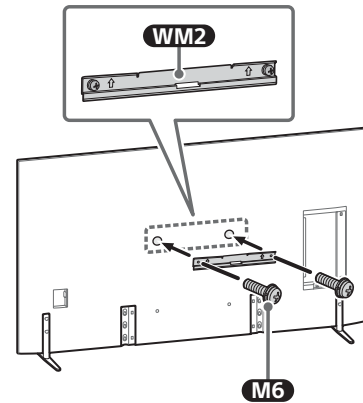
1 Zdejmij osłony podstawy i osłony złączy.



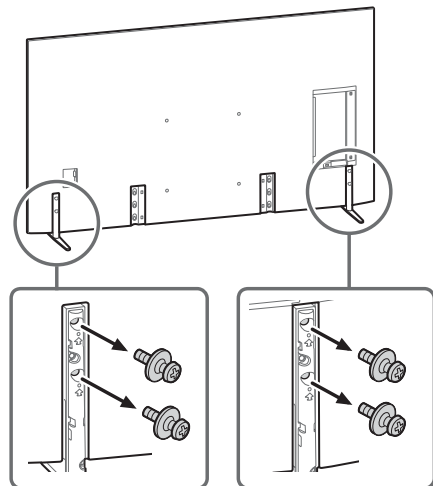
2 Odkręć śruby z tyłu telewizora.



3 Zamontować element **WM2** do telewizora za pomocą **M6**.



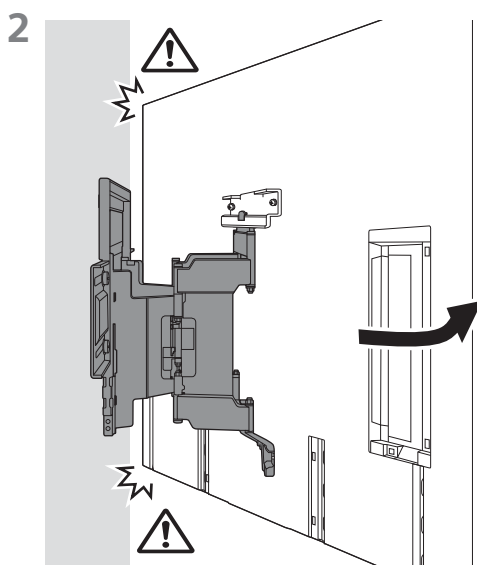
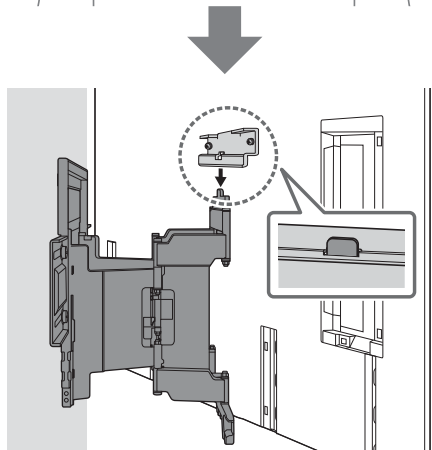
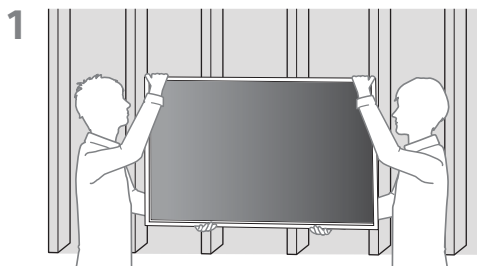
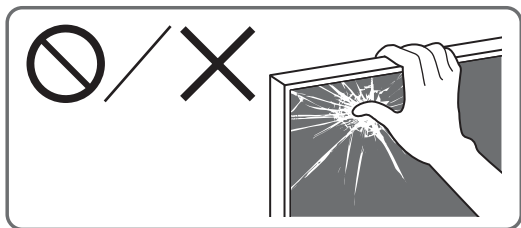
4 Odkręć podstawę od telewizora.



Uwaga

- Zachowaj ostrożność, unosząc telewizor i odłączając podstawę. Łatwo ją można przewrócić i spowodować obrażenia.
- Uważaj podczas odłączania podstawy od telewizora, aby nie spadła i nie uszkodziła powierzchni, na której stał odbiornik.

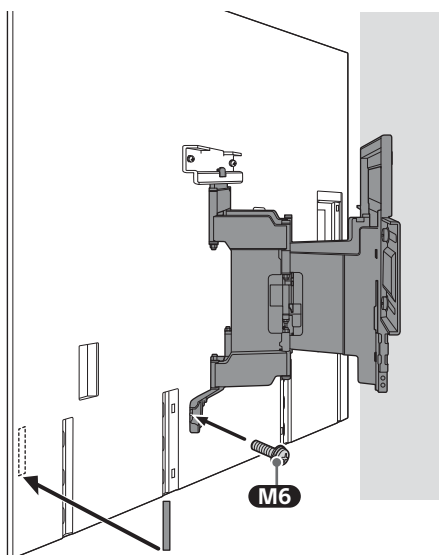
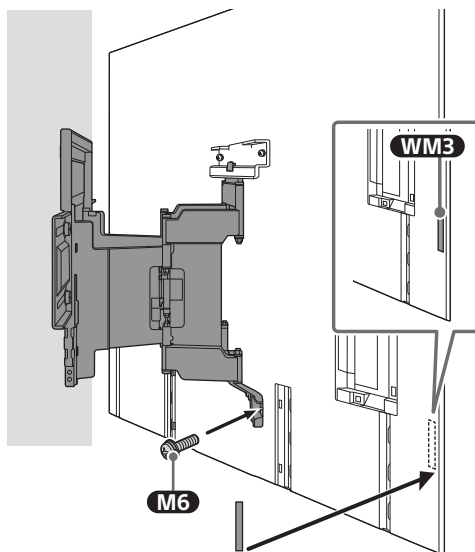
Montaż telewizora na ścianie

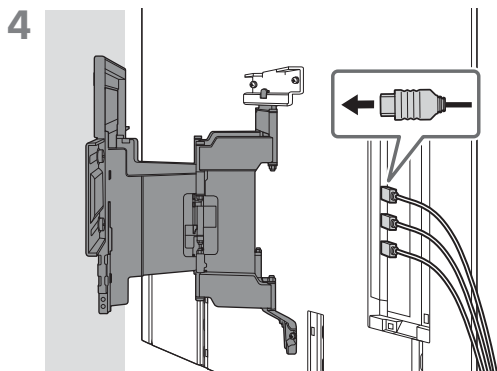


3 Przykręcić lewą i prawą stronę uchwytu ściennego przy pomocy **M6** i przymocować **WM3**.

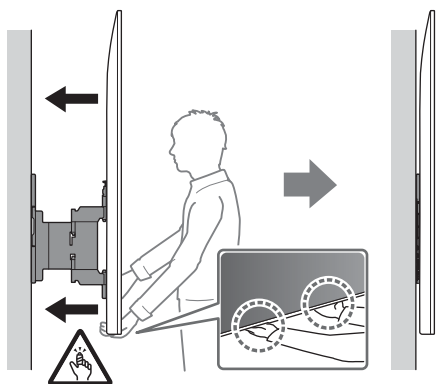
Uwaga

- Nie mocować **WM3** na etykietach.



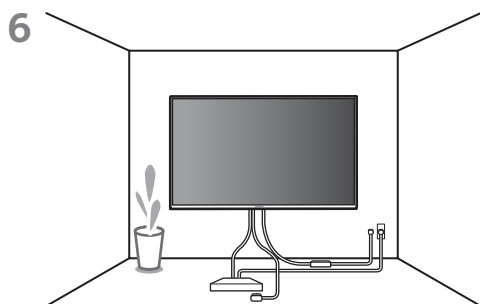


5 Przenosząc telewizor, chwyc go mocno od dołu.



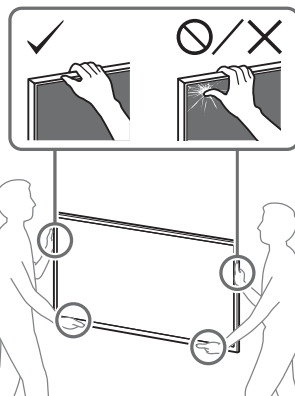
Uwaga

- Zbliżenie telewizora do ściany może być niemożliwe w zależności od typu i liczby podłączonych kabli. Nie oznacza to usterki.



OSTRZEŻENIE

- Do przenoszenia dużego telewizora potrzeba dwóch lub więcej osób (trzech lub więcej w przypadku telewizorów o przekątnej 189,3 cm (75 cali) lub większej) (z wyjątkiem Egiptu).
Do przenoszenia dużego telewizora potrzeba dwóch lub więcej osób (trzech lub więcej w przypadku telewizorów o przekątnej 75 cali (189,3 cm) lub większej) (dotyczy tylko Egiptu).



Sprawdzenie kompletności montażu

Sprawdzić następujące pozycje.

- Czy przewód i kable nie są skręcone ani zaciśnięte.

OSTRZEŻENIE

- Nieprawidłowe umieszczenie przewodu zasilającego itp. może spowodować pożar lub porażenie prądem elektrycznym na skutek zwarcia. Ze względów bezpieczeństwa należy sprawdzić kompletność montażu.

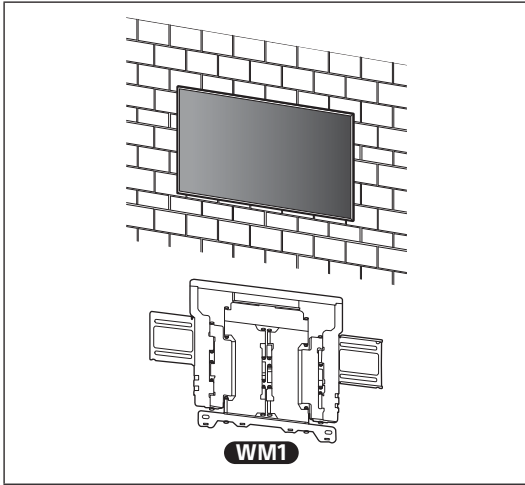
Pozostałe informacje

W celu zdemontowania telewizora należy wykonać procedurę montażu w odwrotnej kolejności.

OSTRZEŻENIE

- Do przenoszenia dużego telewizora potrzeba dwóch lub więcej osób (trzech lub więcej w przypadku telewizorów o przekątnej 189,3 cm (75 cali) lub większej) (z wyjątkiem Egiptu).
Do przenoszenia dużego telewizora potrzeba dwóch lub więcej osób (trzech lub więcej w przypadku telewizorów o przekątnej 75 cali (189,3 cm) lub większej) (dotyczy tylko Egiptu).

B Montowanie uchwyty ściennego do litej ściany z betonu lub bloczków betonowych



Montaż uchwyty ściennego na ścianie

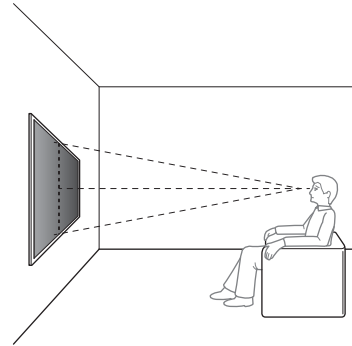
1 Wybrać miejsce montażu.

Upewnić się, że na ścianie jest wystarczająco dużo miejsca dla telewizora, a także że ściana jest w stanie unieść ciężar co najmniej sześciokrotnie większy od ciężaru telewizora.

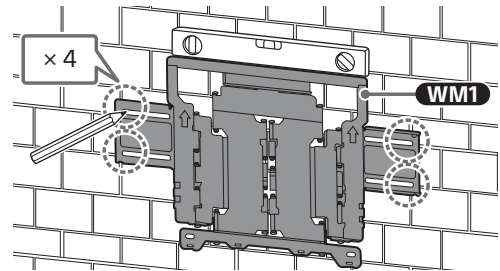
- Patrz „Wymiary do instalacji uchwyty ściennego na ścianie” na stronie 18.
- Ciężar telewizora można sprawdzić w jego Przewodniku.

Uwaga

- Po zamontowaniu telewizora na ścianie jego górna część jest lekko przechylona do przodu.
- Zalecamy sprawdzenie pozycji telewizora w miejscu oglądania.



2 Przyłożyć element **WM1** do ściany i oznaczyć cztery miejsca na otwory na ścianie.

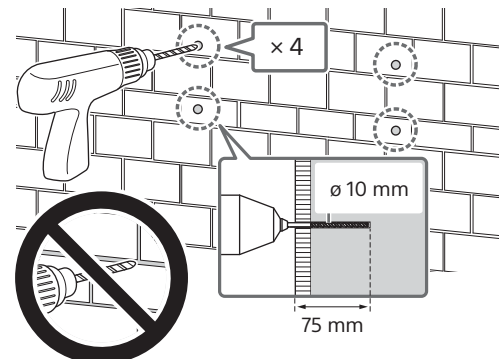


Uwaga

- Użyj poziomnicy, aby sprawdzić czy element **WM1** jest wypoziomowany.

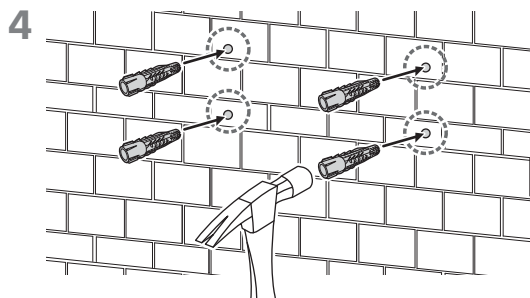
3 Wywierć otwory pilotowe w zaznaczonych punktach.

Upewnić się, że miejsce wywiercenia otworów w ścianie ma wytrzymałość zapewniającą uniesienie ciężaru co najmniej sześciokrotnie większego od ciężaru telewizora.

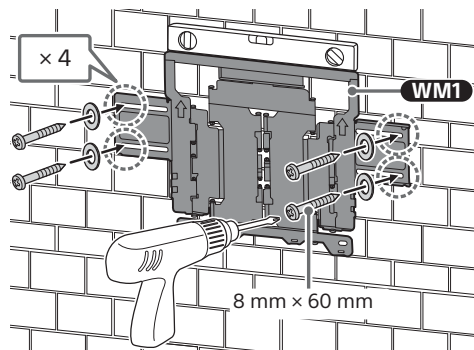


Uwaga

- Otwory pilotażowe należy wywiercić na głębokość 75 mm za pomocą wiertła o średnicy 10 mm.



- 5 Zamontować element **WM1** na ścianie za pomocą odpowiednich wkrętów (nie należą do wyposażenia) i podkładek (nie należą do wyposażenia).



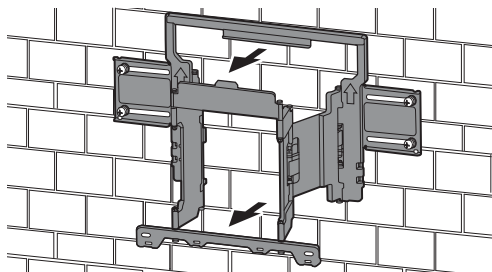
Uwaga

- Użyj poziomicy, aby sprawdzić czy element **WM1** jest wypoziomowany.

Środki ostrożności

- Nie dokręcać zbyt mocno drewnianej śruby 8 mm x 60 mm. Nieprawidłowa siła dokręcania może obniżyć sprawność działania drewnianej śruby 8 mm x 60 mm.

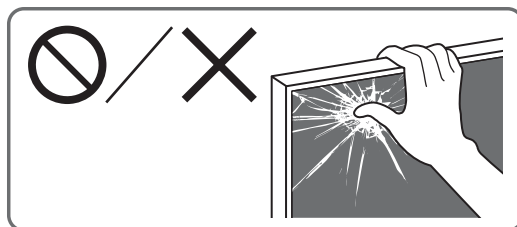
- 6 Wyciągnąć ramię wspornika aż do samego końca.



Przygotowanie do montażu telewizora

Uwaga

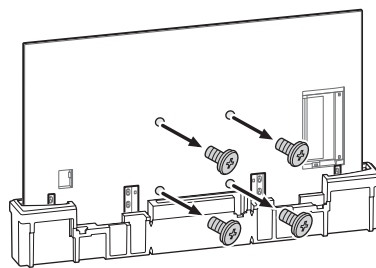
- Wykręcone śruby i niewykorzystane części przechowywać w bezpiecznym miejscu z dala od dzieci.



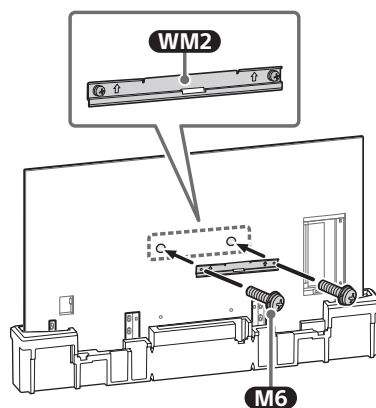
Montaż telewizora na ścianie - karton*1

- *1 Wyłącznie w przypadku niektórych regionów/krajów/modeli.

- 1 Odkręć śruby z tyłu telewizora.

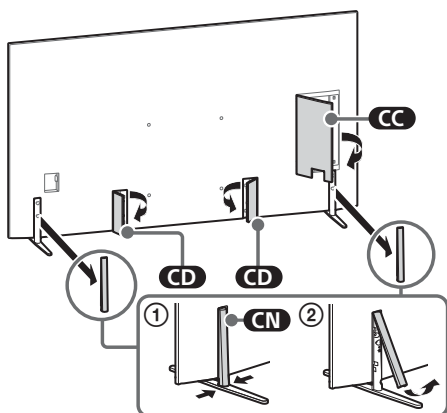


- 2 Zamontować element **WM2** do telewizora za pomocą **M6**.

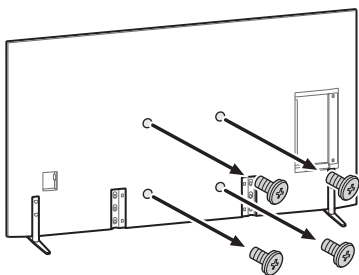


Montaż telewizora na ścianie z podstawy

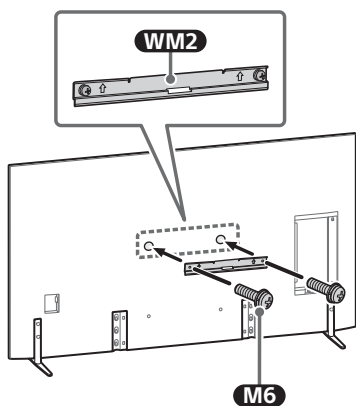
- 1 Zdejmij osłony podstawy i osłony złączy.



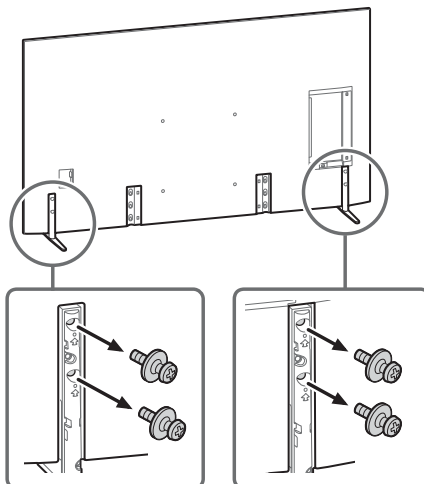
- 2 Odkręć śruby z tyłu telewizora.



- 3 Zamontować element WM2 do telewizora za pomocą M6.



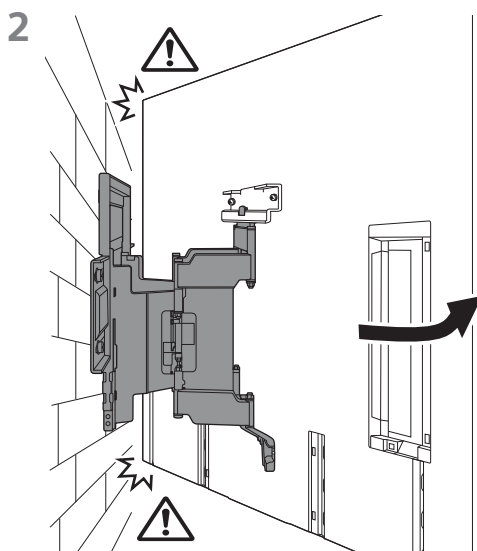
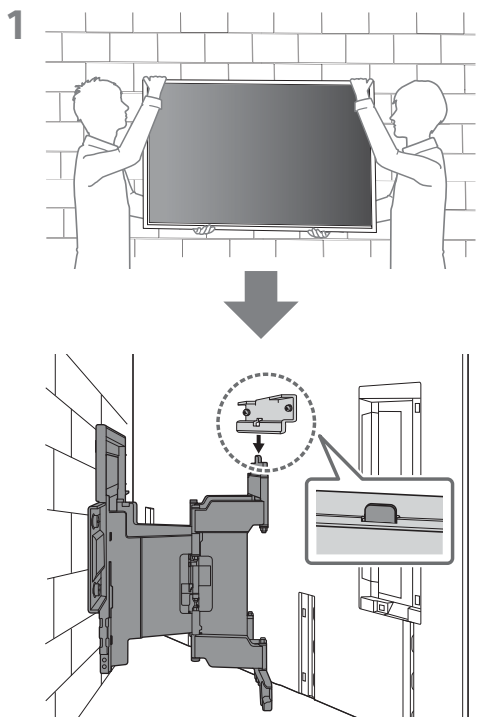
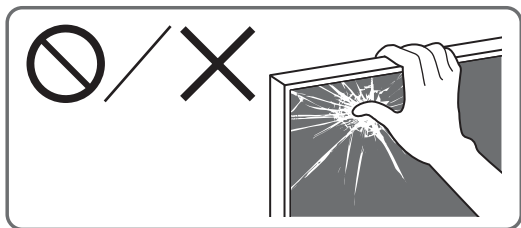
- 4 Odkręć podstawę od telewizora.



Uwaga

- Zachowaj ostrożność, unosząc telewizor i odłączając podstawę. Łatwo ją można przewrócić i spowodować obrażenia.
- Uważaj podczas odłączania podstawy od telewizora, aby nie spadła i nie uszkodziła powierzchni, na której stał odbiornik.

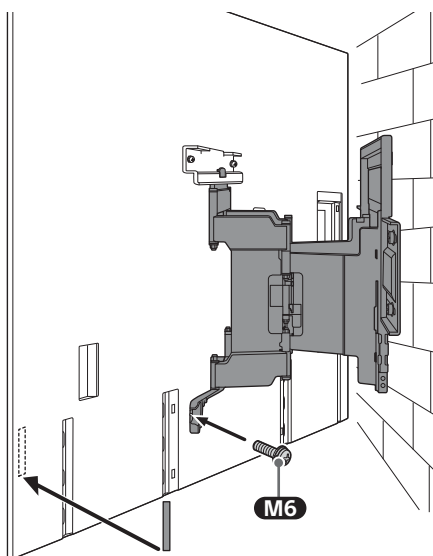
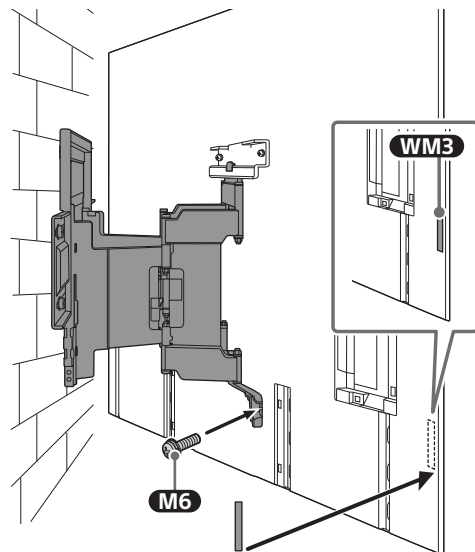
Montaż telewizora na ścianie

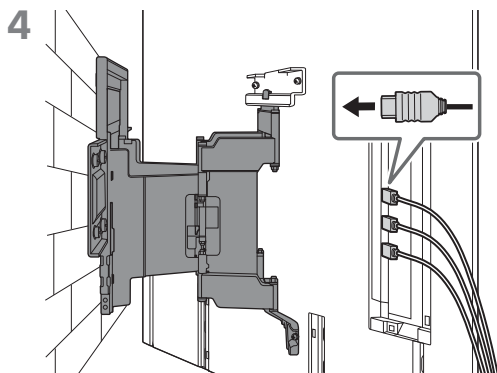


3 Przykręcić lewą i prawą stronę uchwytu ściennego przy pomocy **M6** i przymocować **WM3**.

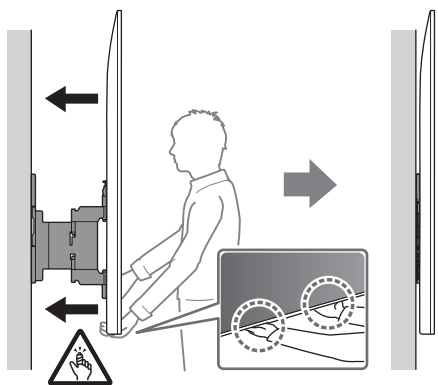
Uwaga

- Nie mocować **WM3** na etykietach.



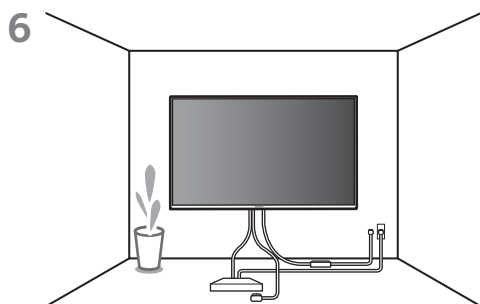


5 Przenosząc telewizor, chwyc go mocno od dołu.



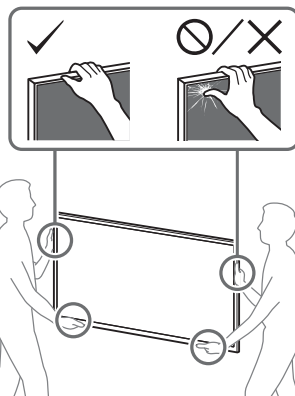
Uwaga

- Zbliżenie telewizora do ściany może być niemożliwe w zależności od typu i liczby podłączonych kabli. Nie oznacza to usterki.



OSTRZEŻENIE

- Do przenoszenia dużego telewizora potrzeba dwóch lub więcej osób (trzech lub więcej w przypadku telewizorów o przekątnej 189,3 cm (75 cali) lub większej) (z wyjątkiem Egiptu).
Do przenoszenia dużego telewizora potrzeba dwóch lub więcej osób (trzech lub więcej w przypadku telewizorów o przekątnej 75 cali (189,3 cm) lub większej) (dotyczy tylko Egiptu).



Sprawdzenie kompletności montażu

Sprawdzić następujące pozycje.

- Czy przewód i kable nie są skręcone ani zaciśnięte.

OSTRZEŻENIE

- Nieprawidłowe umieszczenie przewodu zasilającego itp. może spowodować pożar lub porażenie prądem elektrycznym na skutek zwarcia. Ze względów bezpieczeństwa należy sprawdzić kompletność montażu.

Pozostałe informacje

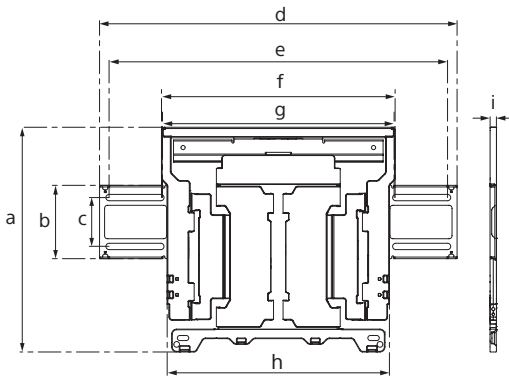
W celu zdemontowania telewizora należy wykonać procedurę montażu w odwrotnej kolejności.

OSTRZEŻENIE

- Do przenoszenia dużego telewizora potrzeba dwóch lub więcej osób (trzech lub więcej w przypadku telewizorów o przekątnej 189,3 cm (75 cali) lub większej) (z wyjątkiem Egiptu).
Do przenoszenia dużego telewizora potrzeba dwóch lub więcej osób (trzech lub więcej w przypadku telewizorów o przekątnej 75 cali (189,3 cm) lub większej) (dotyczy tylko Egiptu).

Specyfikacja

WM1



Wymiary: (ok.) [mm]

a : 354

b : 116

c : 77

d : 563

e : 533

f : 370

g : 368

h : 350

i : 11

Ciężar (tylko podstawa): (ok.) [kg]

3,0

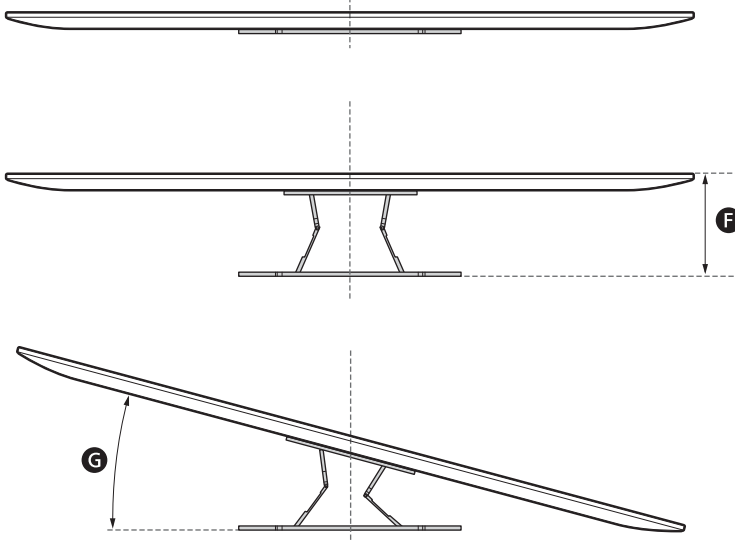
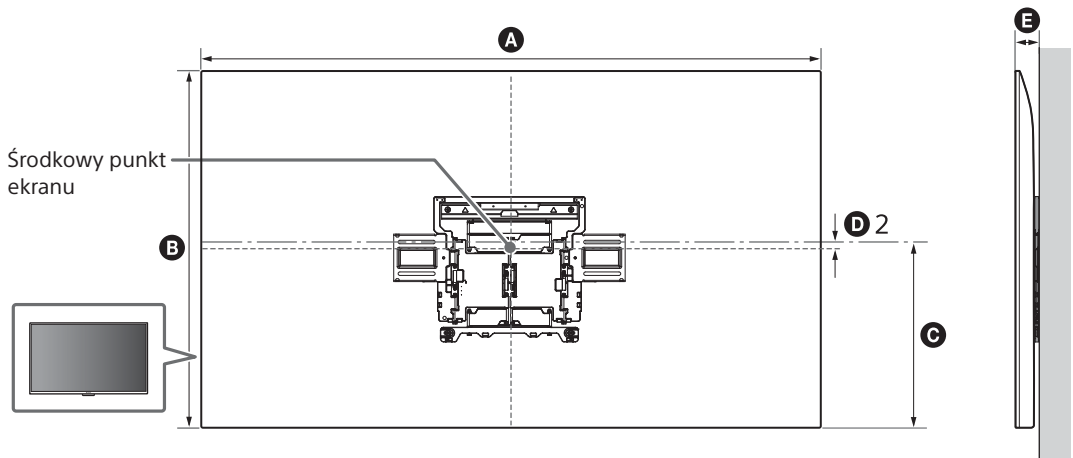
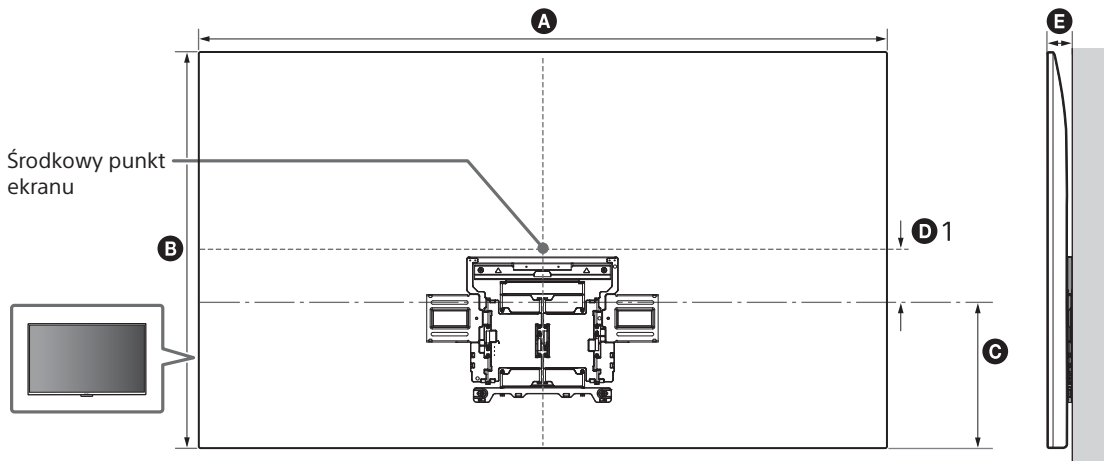
Konstrukcja i specyfikacja mogą ulec zmianie bez uprzedzenia.

PL

Materiały pomocnicze

Wymiary do instalacji uchwyty ścienne na ścianie

Wartości podane w tabeli mogą się różnić minimalnie w zależności od instalacji.



(mm)

Nazwa modelu	A	B	C	D 1	D 2	E	F ^{*1}	G ^{*1} (°)
K-77XR8x	1 713	984	362	139	-	48	251,4	12
K-65XR8x	1 442	829	362	57	-	48	250,8	17
K-55XR8x	1 223	706	362	-	3	48	250,8	19

*1 (Okolo)

Informações de instalação para Utilizar o Suporte de parede Sony (SU-WL850)

Modelos suportados*1:

*1 Nos nomes de modelos actuais, o "x"/"xx" indica números e/ou caracteres específicos a cada modelo.

K-77XR8x / 65XR8x / 55XR8x

Para os clientes

Para proteção do produto e por motivos de segurança, a Sony recomenda vivamente que a instalação do seu televisor seja efetuada por agentes ou técnicos licenciados da Sony. Não tente instalá-lo sozinho.

Para os agentes e técnicos da Sony

Deve ser dada total atenção à segurança durante a instalação, durante qualquer manutenção periódica e durante qualquer verificação deste produto.

É necessário ter experiência suficiente para instalar este produto, especialmente para determinar se a parede tem robustez suficiente para suportar o peso do televisor. Certifique-se de que confia a instalação deste produto numa parede a agentes ou técnicos licenciados da Sony e dê a devida atenção à segurança durante a instalação. A Sony não poderá ser responsabilizada por quaisquer danos ou ferimentos causados por manuseamento incorreto ou instalação incorreta.

Para Segurança e instalação adequadas, siga as Instruções de Funcionamento do Suporte de parede, Guia de configuração do Televisor e as indicações neste manual.

Suporte de parede

Segurança

Obrigado por ter adquirido este produto.

Para os clientes

Instalar o televisor na parede



AVISO

A INSTALAÇÃO TEM DE SER EFETUADA POR UM PROFISSIONAL

Este produto tem de ser instalado por um instalador profissional que tenha a formação adequada para determinar se a parede tem resistência suficiente para suportar o peso do Televisor. Se o Televisor não for fixado corretamente durante a instalação, poderá cair e causar ferimentos graves. A Sony não poderá ser responsabilizada por quaisquer danos ou ferimentos causados por manuseamento incorreto ou instalação imprópria, nem pela instalação de um produto diferente do especificado. Os seus Direitos Estatutários (se existirem) não são afetados.

Para os Agentes da Sony

É necessária uma formação técnica adequada para instalar este produto. Leia atentamente este manual de instruções para efetuar a instalação com segurança. A Sony não se responsabiliza por quaisquer danos ou ferimentos causados pela utilização indevida ou instalação incorreta. Após a instalação, entregue este manual de instruções ao cliente.

Este manual de instruções descreve as precauções importantes necessárias para evitar acidentes e utilizar o produto de forma correta. O utilizador é responsável por ler, compreender totalmente e seguir todas as instruções deste manual de instruções. Se não o fizer, pode provocar ferimentos graves em pessoas e danos materiais que podem anular a garantia. Guarde este manual para futuras consultas.

Os produtos da Sony são concebidos para oferecer a máxima segurança. No entanto, se utilizados de forma incorreta, podem provocar ferimentos graves através de incêndio, choque elétrico ou queda. Para evitar esse tipo de acidentes, respeite as precauções de segurança.

CUIDADO

Produtos especificados

Este Suporte de parede foi concebido para ser utilizado apenas com o Televisor especificado. Para Televisores, consulte o Guia de referência para verificar se o Suporte de parede pode ser utilizado.

Para os clientes

AVISO

O não cumprimento das precauções indicadas abaixo, pode provocar a morte ou ferimentos graves através de incêndio, choque elétrico ou queda do produto.

Certifique-se de que a instalação é efetuada por representantes autorizados e mantenha as crianças afastadas do local durante a instalação.

Se o Suporte de parede ou o Televisor não forem instalados corretamente, podem ocorrer os seguintes acidentes. Certifique-se de que a instalação é efetuada por técnicos qualificados.

- O televisor pode cair e provocar ferimentos graves, como equimoses ou fraturas.
- Se a parede onde o Suporte de parede está instalado for instável, irregular ou não estiver perpendicular ao chão, o aparelho pode cair e provocar ferimentos ou danos materiais. A parede deve ser capaz de suportar, pelo menos, seis vezes o peso do Televisor. (Consulte o Guia de referência do televisor quanto ao respetivo peso.)
- Se a instalação do Suporte de parede não for suficientemente sólida, o aparelho pode cair e provocar ferimentos ou danos materiais.

Contrate técnicos qualificados para o transporte e desmontagem do televisor.

Se o transporte ou montagem for feito por pessoas que não os técnicos qualificados, o televisor pode cair e provocar ferimentos ou danos materiais. São necessárias duas ou mais pessoas (três ou mais pessoas para o televisor de 189,3 cm (75 polegadas) e maiores) para transportar um televisor de tamanho grande (exceto para o Egito). São necessárias duas ou mais pessoas (três ou mais pessoas para o televisor de 75 polegadas (189,3 cm) e maiores) para transportar um televisor de tamanho grande (apenas para o Egito).

Não retire os parafusos, etc., após a desmontagem do televisor.

Se o fizer, o televisor pode cair e provocar ferimentos ou danos materiais.

Não faça quaisquer alterações nas peças do Suporte de parede.

Se o fizer, o Suporte de parede pode cair e provocar ferimentos ou danos materiais.

Não instale um equipamento diferente do especificado no suporte.

Este Suporte de parede foi concebido para ser utilizado apenas com o produto especificado. A instalação de qualquer outro equipamento pode resultar em queda ou quebra e provocar danos materiais ou ferimentos.

Não coloque nenhuma carga para além do Televisor no Suporte de parede. Não agite o televisor para a esquerda/para a direita, para cima/para baixo.

Se o fizer, o televisor pode cair e provocar ferimentos ou danos materiais.

Não se encoste nem se pendure no televisor.

Não se encoste nem se pendure no televisor, pois este pode cair e provocar ferimentos graves.

CUIDADO

Se as seguintes precauções não forem observadas, poderão ocorrer ferimentos ou danos materiais.

- Tenha cuidado para não trilhar os dedos quando manusear o Suporte de parede ou rodar o Televisor.
- Quando rodar o Televisor, faça-o suavemente e tenha cuidado para não bater em pessoas que estejam perto.
- Certifique-se de que guarda as peças não utilizadas num local seguro para futura utilização. Mantenha-as afastadas de crianças.

Não faça demasiada força durante a limpeza ou manutenção do produto.

Não faça demasiada força na parte superior do televisor. Se o fizer, o televisor pode cair e provocar ferimentos ou danos materiais.

Não coloque este produto perto de dispositivos médicos.

Este produto (incluindo os acessórios) tem ímã(es) que pode(m) interferir com pacemakers, válvulas de derivação programáveis para o tratamento de hidrocefalia ou outros dispositivos médicos. Não coloque este produto perto de pessoas que utilizam esses dispositivos médicos. Consulte o seu médico antes de utilizar este produto se utilizar qualquer um desses dispositivos médicos.

Mantenha fora do alcance de crianças ou de indivíduos supervisionados.

Este produto (incluindo os acessórios) tem ímã(es). Engolir o(s) ímã(es) poderá causar danos graves, como por exemplo perigo de asfixia ou lesões intestinais. Se os ímanes (ou um ímã) forem engolidos, consulte imediatamente um médico.

Precauções

- Se utilizar o Televisor instalado no Suporte de parede durante muito tempo, a parede por trás ou por cima do Televisor pode perder a cor e o papel de parede pode descolar-se, dependendo do material da parede.
- Se retirar o Suporte de parede depois de o instalar, os orifícios do parafuso ficam na parede.
- Não utilize o Suporte de parede num local num local sujeito a vibrações mecânicas.

Instalar o Suporte de parede

Para os Agentes da Sony

AVISO

As seguintes instruções destinam-se apenas aos agentes da Sony. Leia as precauções de segurança na íntegra e preste muita atenção às medidas de segurança que é preciso respeitar durante a instalação, manutenção e verificação deste produto.

Não instale o Suporte de parede em que os cantos ou os lados do Televisor fiquem afastados da parede.

Não instale o Suporte de parede em colunas em que os cantos ou os lados do Televisor fiquem afastados da parede. Se uma pessoa ou objeto embaterem no canto ou lado saliente do televisor, isso pode provocar ferimentos ou danos materiais.

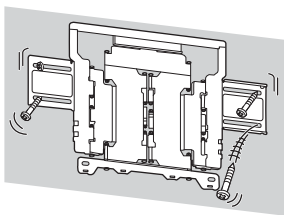


Não instale o televisor por cima ou por baixo de um aparelho de ar condicionado.

Se o Televisor ficar exposto a fugas de água ou correntes de ar do aparelho de ar condicionado durante muito tempo, pode ocorrer um incêndio, um choque elétrico ou uma avaria do Televisor.

Instale o Suporte de parede com firmeza seguindo as indicações deste manual de instruções.

Se algum dos parafusos estiver solto ou cair, o Suporte de parede pode cair e provocar ferimentos ou danos materiais. Certifique-se de que utiliza os parafusos corretos para o material da parede e instale a unidade firmemente com quatro parafusos de 8 mm de diâmetro (ou equivalentes).



Utilize os parafusos e os acessórios fornecidos conforme as indicações deste manual de instruções. Se utilizar outros acessórios, o televisor pode cair e provocar ferimentos a alguém ou danos materiais no próprio televisor.

Monte o suporte corretamente, seguindo o procedimento explicado neste manual de instruções.

Se um dos parafusos se soltar ou cair, o televisor pode cair e provocar ferimentos a alguém ou danos materiais no televisor.

Aperte bem os parafusos na posição correta.

Se não o fizer, o televisor pode cair e ferir alguém ou ficar danificado.

Não submeta o televisor a qualquer choque durante a instalação.

Se o televisor sofrer choques, pode cair ou partir-se. O que pode provocar ferimentos.

Instale o televisor numa parede perpendicular e plana.

Se não o fizer, o televisor pode cair e provocar ferimentos.

Depois de instalar corretamente o televisor, fixe bem os cabos.

Se as pessoas ou objetos ficarem emaranhados nos cabos, podem ferir-se ou danificar o televisor ou o monitor.

Não deixe o cabo de alimentação CA, nem o cabo de ligação ficarem trilhados.

Se o cabo de alimentação CA ou o cabo de ligação ficar trilhado entre o aparelho e a parede ou se os dobrar ou torcer à força, os condutores internos podem ficar à vista e provocar um curto-circuito ou a quebra do cabo elétrico. Pode provocar um incêndio ou choque elétrico.



Os parafusos necessários para fixar o Suporte de parede não estão incluídos.

Utilize os parafusos apropriados para o material de que é feita a parede e para a estrutura quando instalar o Suporte de parede.

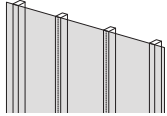
Antes de começar

- As ilustrações de televisão mostradas neste manual são exemplos utilizados para proporcionar explicações claras das operações. Por este motivo, as ilustrações podem parecer diferentes do televisor real.

Qual é o material da sua parede?

Comece por verificar qual é o tipo de parede em que vai instalar o Televisor.

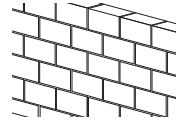
Parede de gesso com barrotes



Precauções

- Espessura máxima da parede de gesso: 16 mm.
- Certifique-se de que a dimensão dos barrotes de madeira interiores é igual ou superior a 51 mm x 102 mm em termos comuns ou 38 mm x 89 mm em termos nominais.
- Mantenha uma distância horizontal de 406 mm ou mais entre os fixadores.

Betão armado ou blocos de betão



Precauções

- No caso de betão armado, monte o Suporte de parede diretamente na parede.
- Certifique-se de que a espessura da parede de betão armado é igual ou superior a 203 mm.
- Certifique-se de que a dimensão de cada bloco de betão é igual ou superior a 203 mm x 203 mm x 406 mm.

Verificação das peças



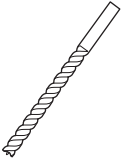
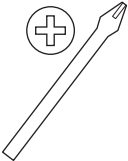
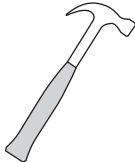
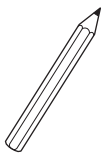
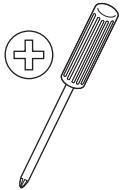
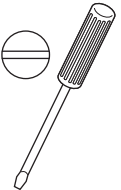
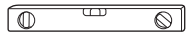



Fornecido com o SU-WL850

- Verifique se todas as peças estão incluídas.

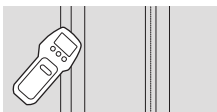
WM1 (x1) 	WM2 (x1) 	WM3 (x4)
M6 (x4) 	WT1 (x6) 	

Preparar a instalação

- Tenha o Guia de referência do Televisor e o Guia de configuração à mão antes da instalação.
- Confirme a posição de instalação do seu televisor.
- Utilize quatro parafusos com diâmetro de 8 mm e quatro anilhas adequadas (não fornecidas). Escolha parafusos adequados para o material da parede.
- Prepare as seguintes ferramentas:

*1 		 5,5 mm 10 mm	
*2 		 1,5 N·m {15 kgf·cm}	*3  1,5 N·m {15 kgf·cm}
	*2  (x4)	*4  (x4) 8 mm x 60 mm	*4  (x4)

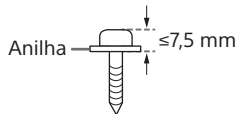
*1 Apenas no caso de parede de gesso com barrotes



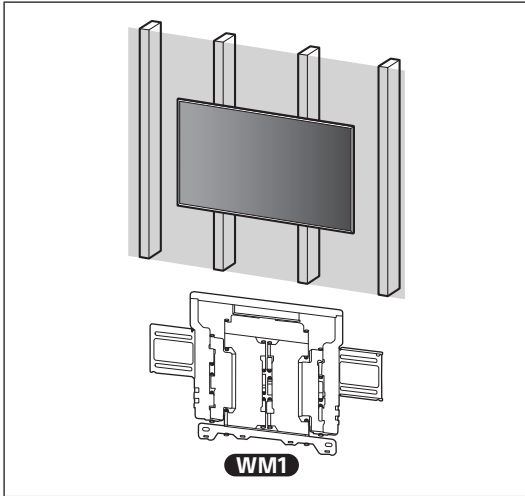
*2 Apenas no caso de parede de betão armado ou blocos de betão

*3 Dependendo dos modelos

*4 Tenha cuidado quando escolher os parafusos e as anilhas



A Instalação do Suporte de parede na parede de gesso com barrotes



Instalar o Suporte de parede na parede

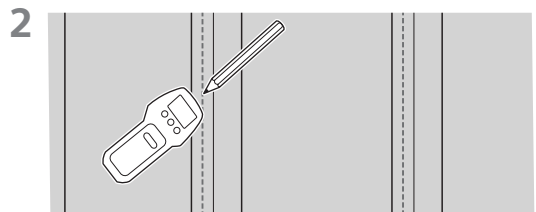
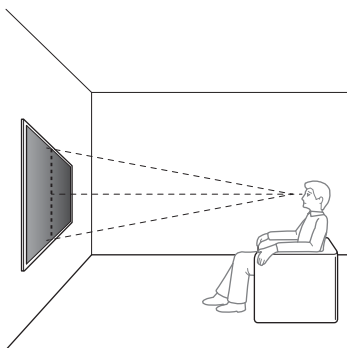
1 Decida sobre a localização da instalação.

Certifique-se de que a parede tem espaço suficiente para o televisor e que consegue suportar o sêxtuplo do peso do televisor.

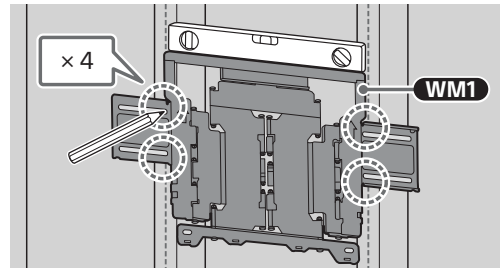
- Consulte a secção "Medição para a instalação do Suporte de parede na parede" na página 18.
- Consulte o Guia de referência do televisor para saber qual é o peso do televisor.

Nota

- Quando o televisor estiver instalado na parede, a parte superior do televisor ficará ligeiramente inclinada para a frente.
- Recomendamos que verifique a posição do Televisor no ambiente de visualização.



3 Alinhe a peça WM1 na parede e faça quatro marcas sobre os barrotes.

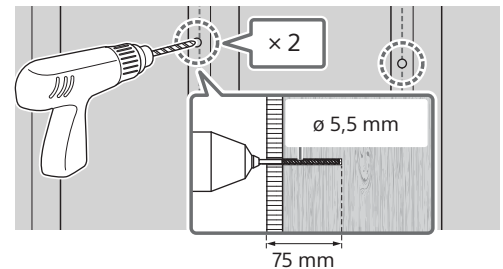


Nota

- Utilize um nível para verificar se o WM1 está nivelado.

4 Perfure orifícios piloto nas marcas superiores.

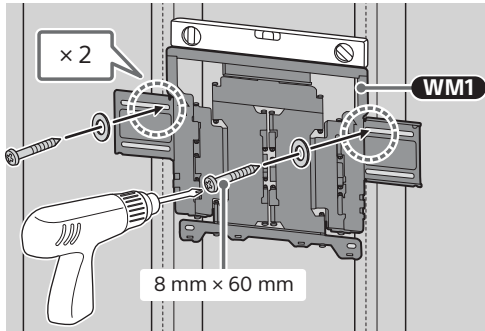
Certifique-se de que a localização na parede a ser perfurada é forte o suficiente para suportar um peso de pelo menos seis vezes o peso do Televisor.



Nota

- Os orifícios piloto devem ter 75 mm de profundidade e devem ser perfurados com uma broca de 5,5 mm de diâmetro.

- 5 Instale a peça **WM1** na parede com os parafusos adequados (não fornecidos) e as anilhas (não fornecidas).



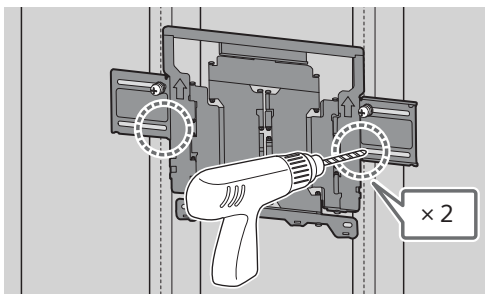
Nota

- Utilize um nível para verificar se o **WM1** está nivelado.

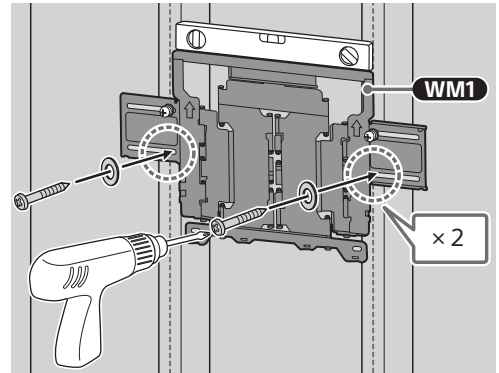
Precaução

- Não aperte excessivamente o parafuso de madeira de 8 mm x 60 mm. Um aperto incorreto pode reduzir a capacidade de sustentação do parafuso de madeira de 8 mm x 60 mm.

- 6 Perfure orifícios piloto nas marcas inferiores. (Consulte as instruções de perfuração no passo 4.)



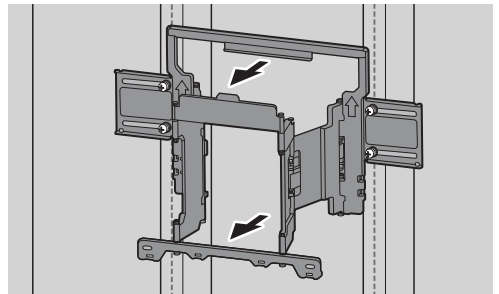
- 7 Instale os parafusos adequados e as respectivas anilhas nos orifícios.



Nota

- Utilize um nível para verificar se o **WM1** está nivelado.

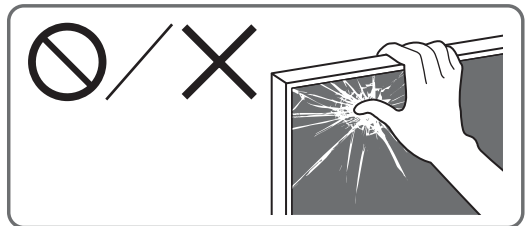
- 8 Estenda totalmente os braços do suporte.



Preparar a instalação do televisor

Nota

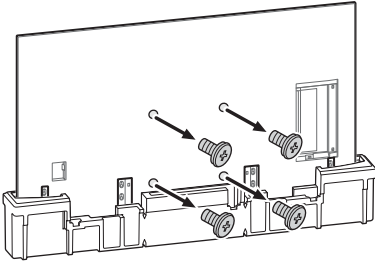
- Certifique-se de que guarda os parafusos retirados e peças não utilizadas num lugar seguro e fora do alcance de crianças.



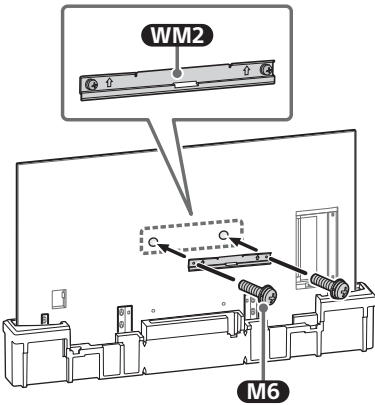
Instalar o Televisor na parede removendo-o da caixa*1

*1 Apenas para determinadas regiões/países/modelos.

- 1 Remova os parafusos da parte de trás do televisor.

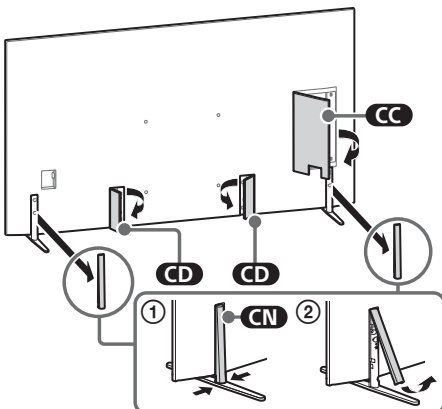


- 2 Instale a peça **WM2** no Televisor com os parafusos **M6**.

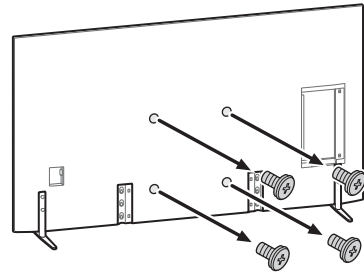


Instalar o Televisor na parede removendo-o do Suporte de Mesa

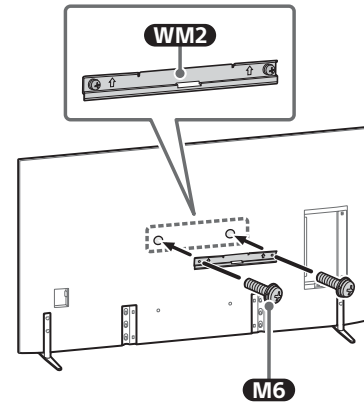
- 1 Retire as tampas da base e as tampas dos terminais.



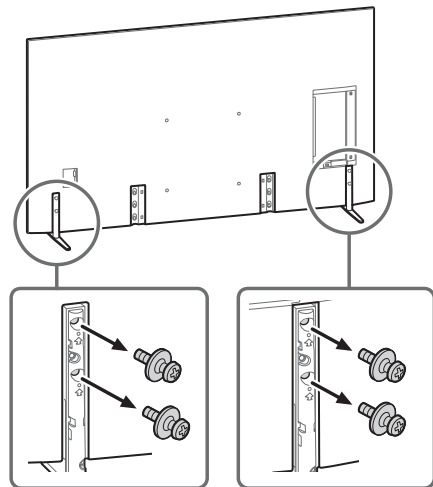
- 2 Remova os parafusos da parte de trás do televisor.



- 3 Instale a peça **WM2** no Televisor com os parafusos **M6**.



- 4 Separe o Suporte de Fixação para Mesas do televisor.

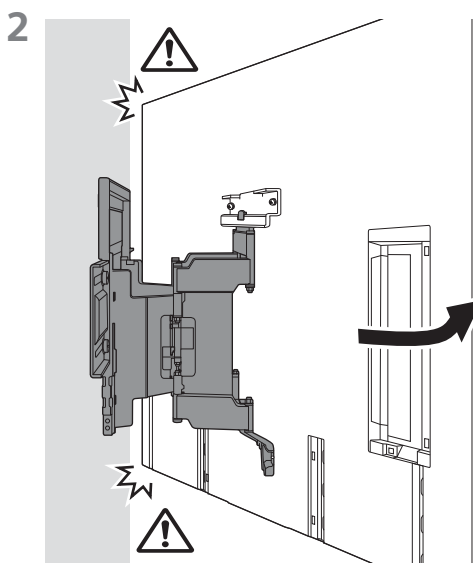
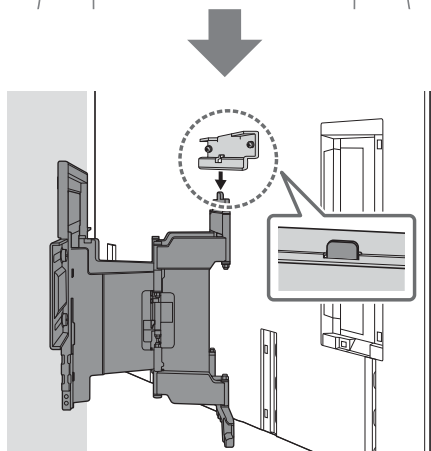
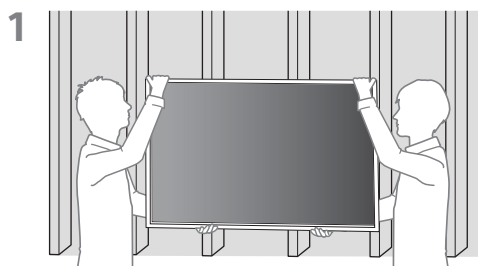
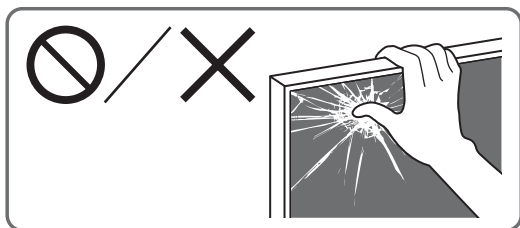


Nota

- Tenha cuidado ao levantar o Televisor, pois o Suporte de Mesa é desencaixado e, portanto, o Suporte de Mesa pode cair e provocar ferimentos pessoais.

- Tenha cuidado ao remover o Suporte de Mesa do Televisor para evitar que caia e danifique a superfície onde se encontra o televisor.

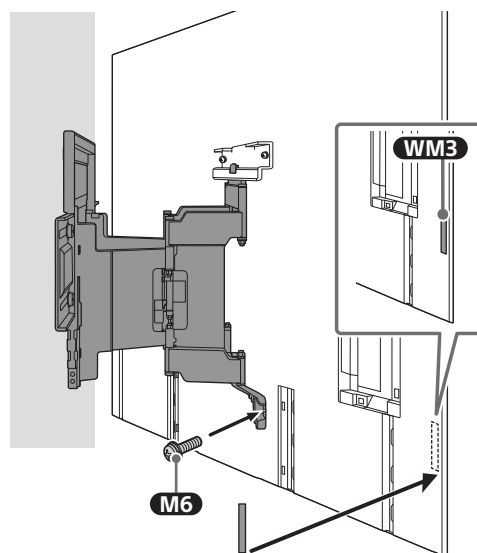
Instalação do televisor na parede

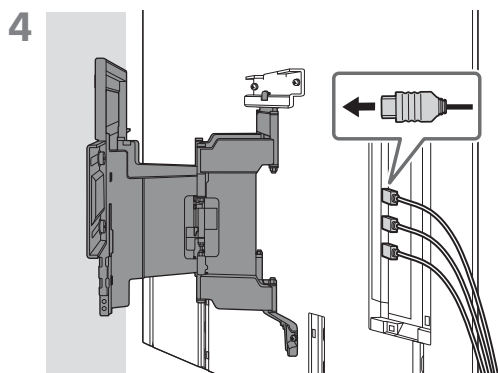
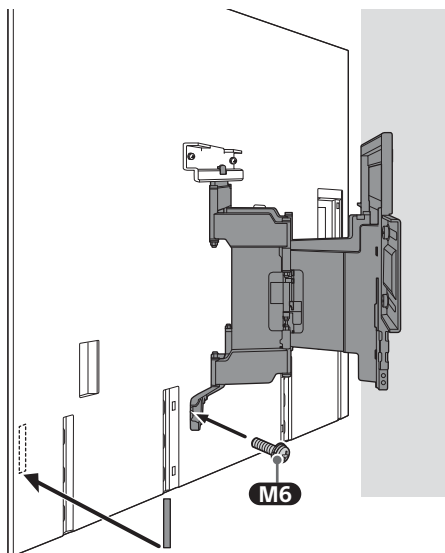


- 3 Aparafuse os lados esquerdo e direito do Suporte de parede utilizando **M6** e fixe **WM3**.

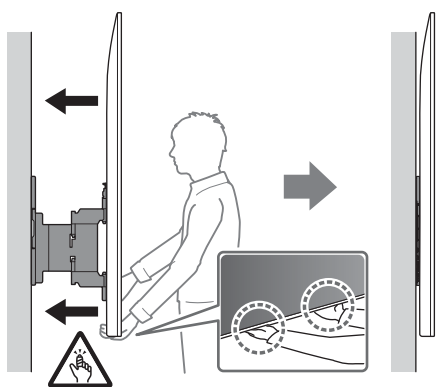
Nota

- Não cole **WM3** nas etiquetas.



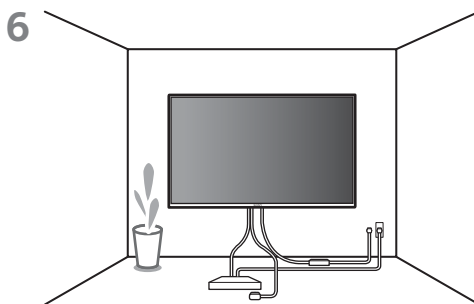


5 Quando deslocar o Televisor, segure-o com firmeza pela base.



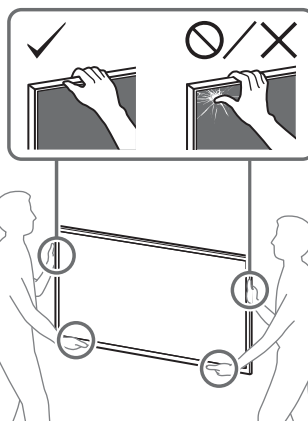
Nota

- Pode não ser possível mover o televisor para perto da parede dependendo do tipo e número de cabos utilizados. Isso não é um mau funcionamento.



AVISO

- São necessárias duas ou mais pessoas (três ou mais pessoas para o televisor de 189,3 cm (75 polegadas) e maiores) para transportar um televisor de tamanho grande (exceto para o Egito). São necessárias duas ou mais pessoas (três ou mais pessoas para o televisor de 75 polegadas (189,3 cm) e maiores) para transportar um televisor de tamanho grande (apenas para o Egito).



Confirmar a conclusão da instalação

Verifique os seguintes pontos.

- Os cabos de alimentação e ligação não estão dobrados nem trilhados.

AVISO

- A instalação incorreta do cabo de alimentação CA, etc., pode provocar um incêndio ou choque elétrico devido a um curto-circuito. Verifique se a instalação está terminada, por medida de segurança.

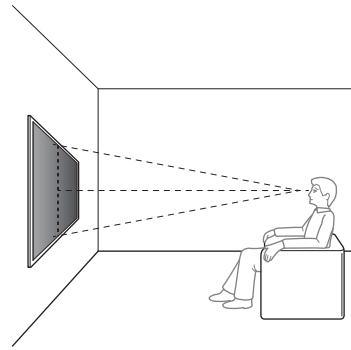
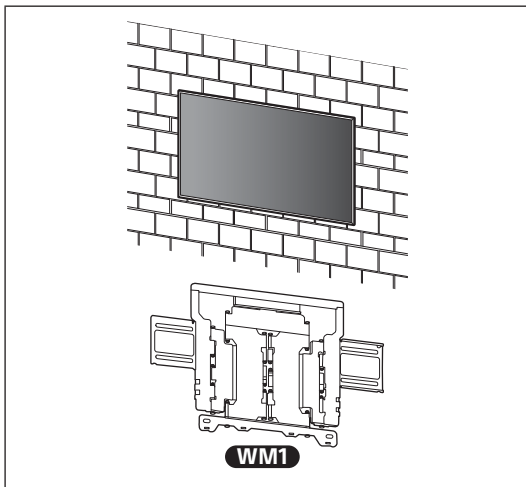
Outras informações

Quando remover o televisor, inverta o procedimento de instalação anterior.

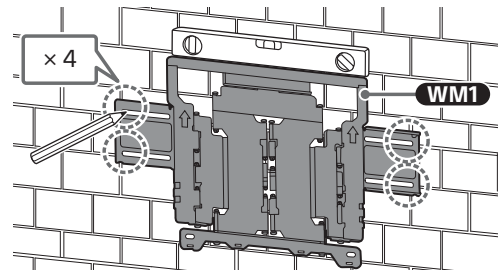
AVISO

- São necessárias duas ou mais pessoas (três ou mais pessoas para o televisor de 189,3 cm (75 polegadas) e maiores) para transportar um televisor de tamanho grande (exceto para o Egito).
São necessárias duas ou mais pessoas (três ou mais pessoas para o televisor de 75 polegadas (189,3 cm) e maiores) para transportar um televisor de tamanho grande (apenas para o Egito).

B Instalar o Suporte de parede numa parede de betão armado ou blocos de betão



2 Alinhe a peça WM1 na parede e faça quatro marcas.

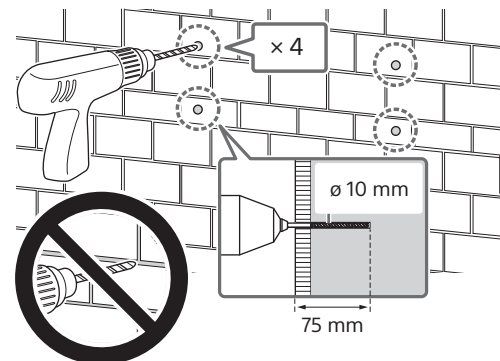


Nota

- Utilize um nível para verificar se o WM1 está nivelado.

3 Perfure orifícios piloto nas marcas.

Certifique-se de que a localização na parede a ser perfurada é forte o suficiente para suportar um peso de pelo menos seis vezes o peso do Televisor.



Nota

- Os orifícios piloto devem ter 75 mm de profundidade e devem ser perfurados com uma broca de 10 mm de diâmetro.

Instalar o Suporte de parede na parede

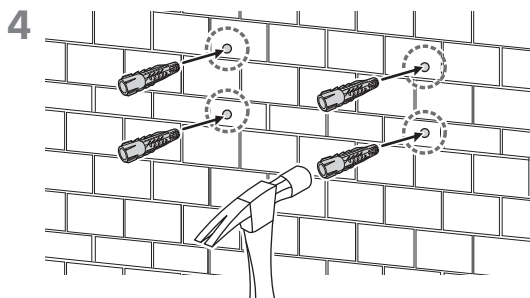
1 Decida sobre a localização da instalação.

Certifique-se de que a parede tem espaço suficiente para o televisor e que consegue suportar o sêxtuplo do peso do televisor.

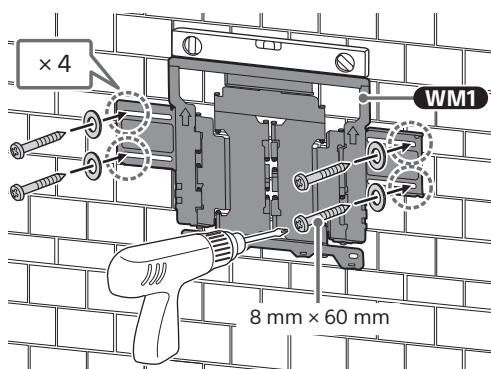
- Consulte a secção "Medição para a instalação do Suporte de parede na parede" na página 18.
- Consulte o Guia de referência do televisor para saber qual é o peso do televisor.

Nota

- Quando o televisor estiver instalado na parede, a parte superior do televisor ficará ligeiramente inclinada para a frente.
- Recomendamos que verifique a posição do Televisor no ambiente de visualização.



5 Instale a peça **WM1** na parede com os parafusos adequados (não fornecidos) e as anilhas (não fornecidas).



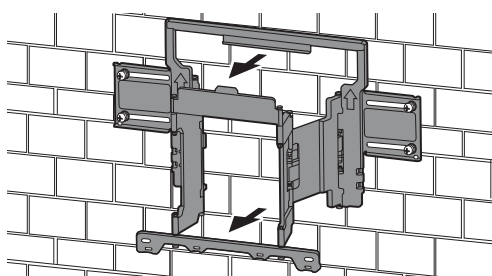
Nota

- Utilize um nível para verificar se o **WM1** está nivelado.

Precaução

- Não aperte excessivamente o parafuso de madeira de 8 mm x 60 mm. Um aperto incorreto pode reduzir a capacidade de sustentação do parafuso de madeira de 8 mm x 60 mm.

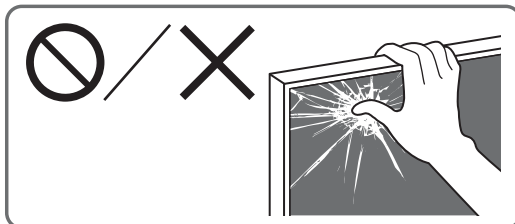
6 Estenda totalmente os braços do suporte.



Preparar a instalação do televisor

Nota

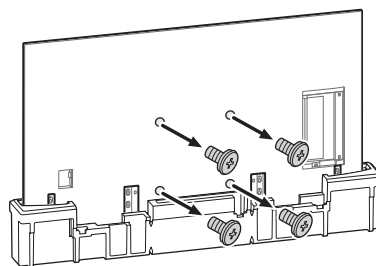
- Certifique-se de que guarda os parafusos retirados e peças não utilizadas num lugar seguro e fora do alcance de crianças.



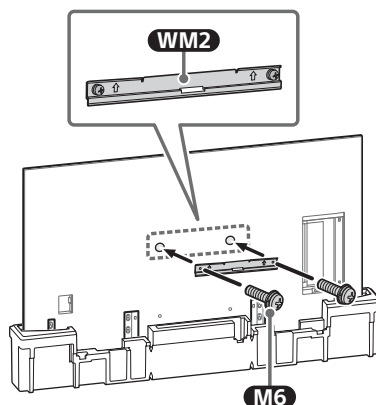
Instalar o Televisor na parede removendo-o da caixa*1

- *1 Apenas para determinadas regiões/países/modelos.

1 Remova os parafusos da parte de trás do televisor.

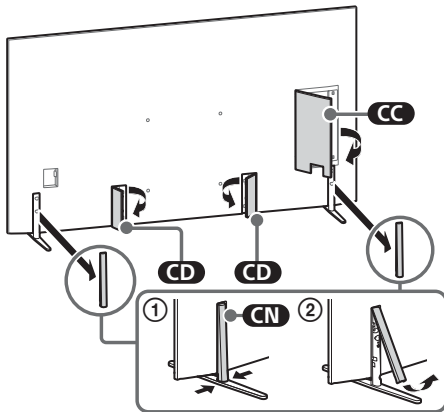


2 Instale a peça **WM2** no Televisor com os parafusos **M6**.

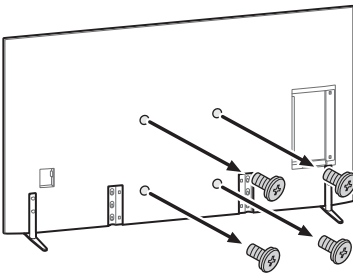


Instalar o Televisor na parede removendo-o do Suporte de Mesa

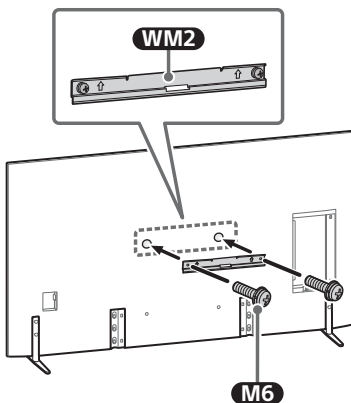
- 1 Retire as tampas da base e as tampas dos terminais.



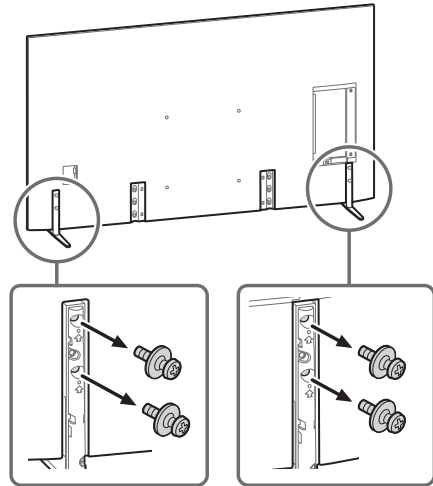
- 2 Remova os parafusos da parte de trás do televisor.



- 3 Instale a peça **WM2** no Televisor com os parafusos **M6**.



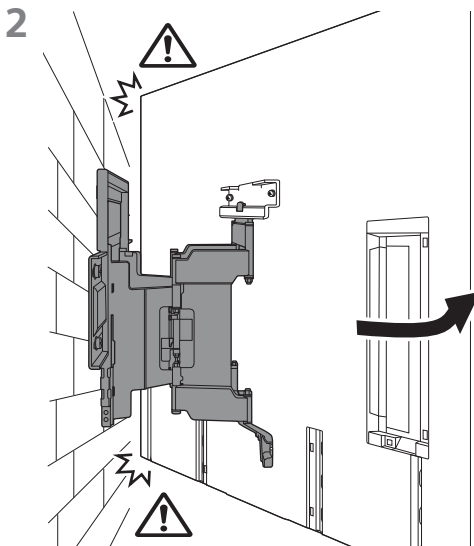
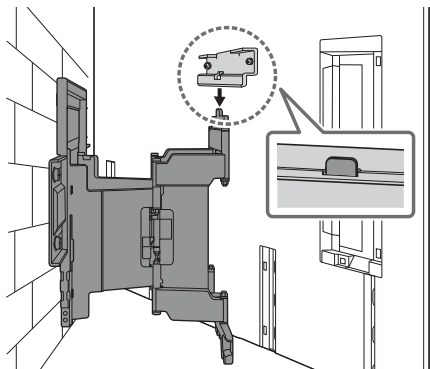
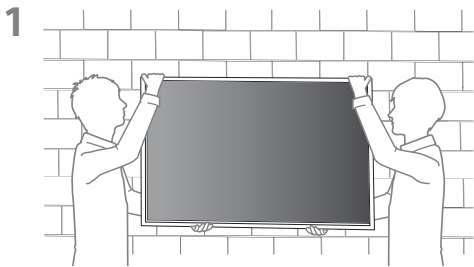
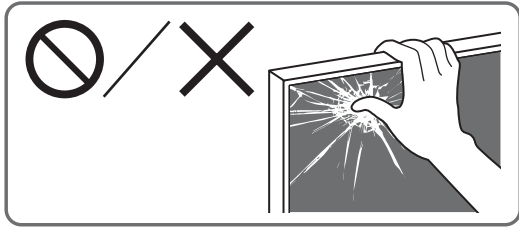
- 4 Separe o Suporte de Fixação para Mesas do televisor.



Nota

- Tenha cuidado ao levantar o Televisor, pois o Suporte de Mesa é desencaixado e, portanto, o Suporte de Mesa pode cair e provocar ferimentos pessoais.
- Tenha cuidado ao remover o Suporte de Mesa do Televisor para evitar que caia e danifique a superfície onde se encontra o televisor.

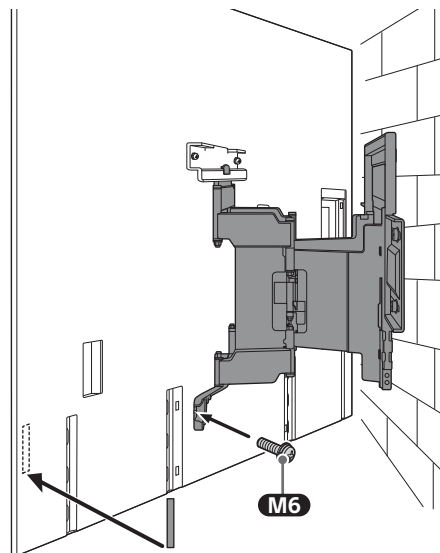
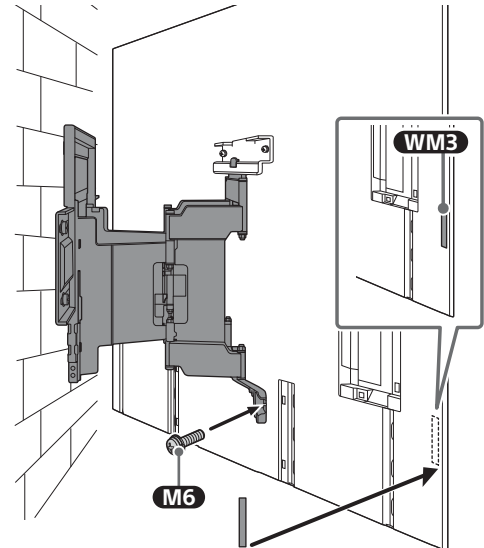
Instalação do televisor na parede

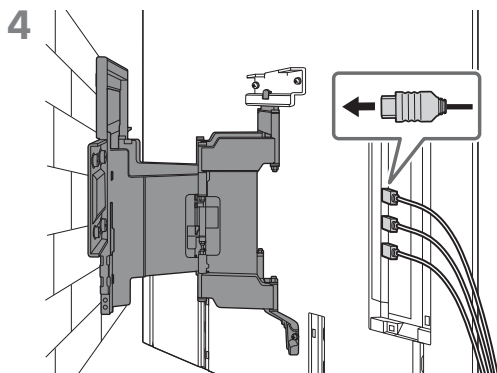


3 Aparafuse os lados esquerdo e direito do Suporte de parede utilizando **M6** e fixe **WM3**.

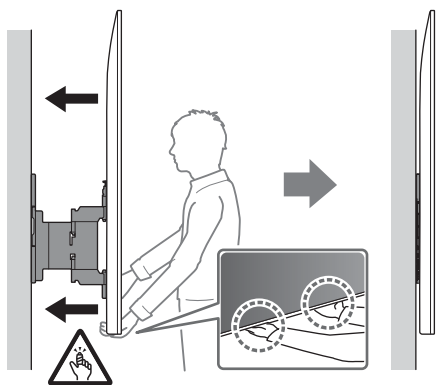
Nota

- Não cole **WM3** nas etiquetas.



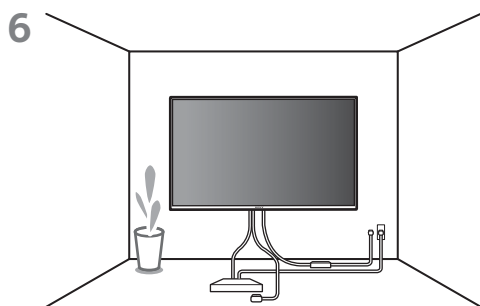


5 Quando deslocar o Televisor, segure-o com firmeza pela base.



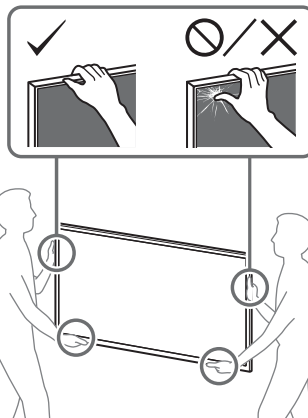
Nota

- Pode não ser possível mover o televisor para perto da parede dependendo do tipo e número de cabos utilizados. Isso não é um mau funcionamento.



AVISO

- São necessárias duas ou mais pessoas (três ou mais pessoas para o televisor de 189,3 cm (75 polegadas) e maiores) para transportar um televisor de tamanho grande (exceto para o Egito). São necessárias duas ou mais pessoas (três ou mais pessoas para o televisor de 75 polegadas (189,3 cm) e maiores) para transportar um televisor de tamanho grande (apenas para o Egito).



Confirmar a conclusão da instalação

Verifique os seguintes pontos.

- Os cabos de alimentação e ligação não estão dobrados nem trilhados.

AVISO

- A instalação incorreta do cabo de alimentação CA, etc., pode provocar um incêndio ou choque elétrico devido a um curto-circuito. Verifique se a instalação está terminada, por medida de segurança.

Outras informações

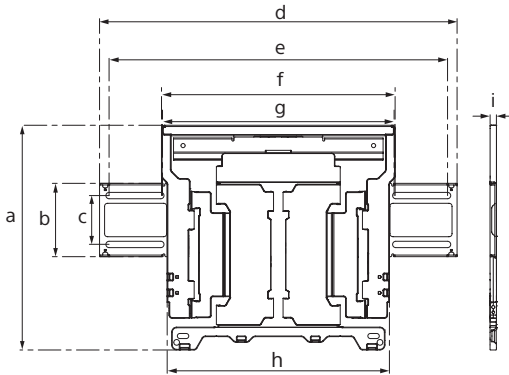
Quando remover o televisor, inverta o procedimento de instalação anterior.

AVISO

- São necessárias duas ou mais pessoas (três ou mais pessoas para o televisor de 189,3 cm (75 polegadas) e maiores) para transportar um televisor de tamanho grande (exceto para o Egito). São necessárias duas ou mais pessoas (três ou mais pessoas para o televisor de 75 polegadas (189,3 cm) e maiores) para transportar um televisor de tamanho grande (apenas para o Egito).

Especificações

WM1



Dimensões: (Aprox.) [mm]

a : 354

b : 116

c : 77

d : 563

e : 533

f : 370

g : 368

h : 350

i : 11

Peso (apenas base): (Aprox.) [kg]

3,0

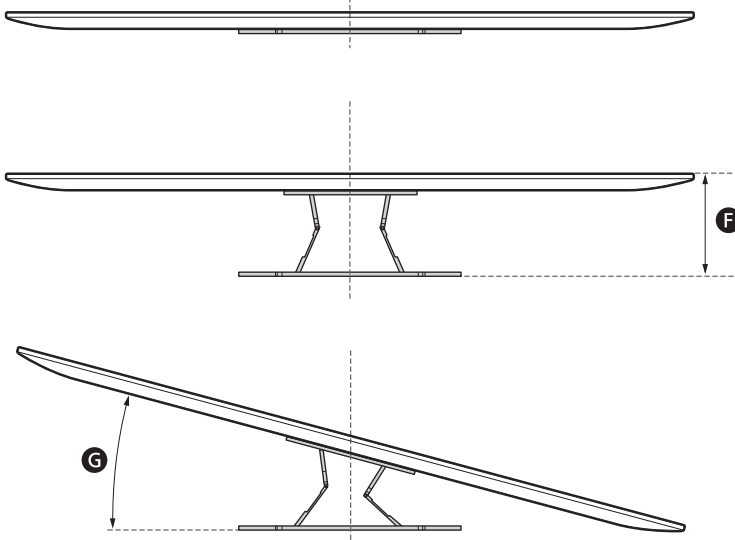
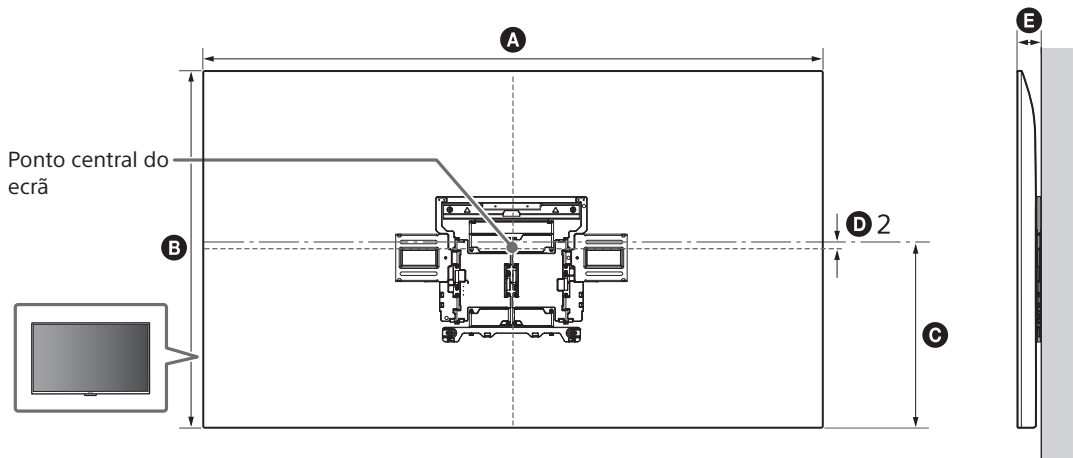
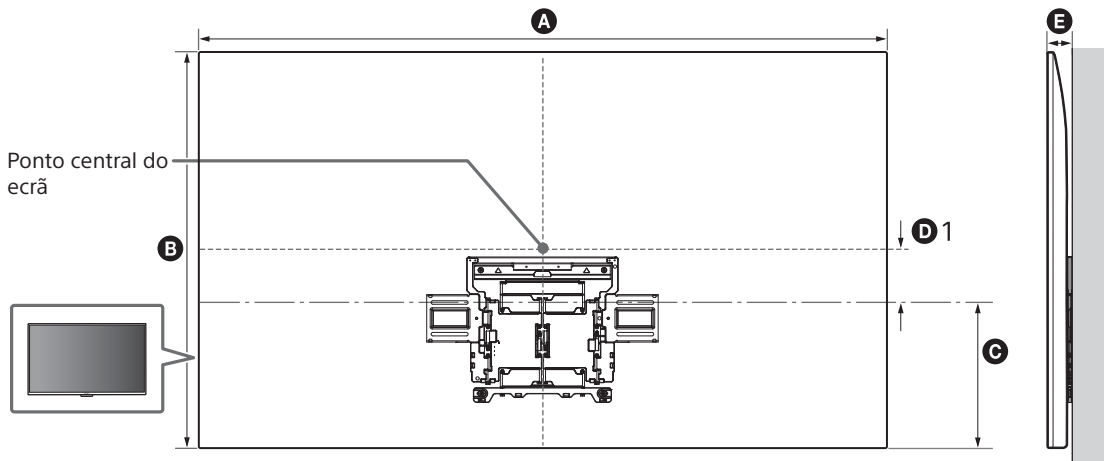
O design e as especificações estão sujeitas a alterações sem aviso prévio.

PT

Referências

Medição para a instalação do Suporte de parede na parede

Os números da tabela podem variar ligeiramente dependendo da instalação.



(mm)

Nome do modelo	A	B	C	D 1	D 2	E	F ^{*1}	G ^{*1} (°)
K-77XR8x	1 713	984	362	139	-	48	251,4	12
K-65XR8x	1 442	829	362	57	-	48	250,8	17
K-55XR8x	1 223	706	362	-	3	48	250,8	19

*1 (Aprox.)

Oplysninger om montering med Sonys beslag til vægmontering (SU-WL850)

Understøttede modeller*1:

*1 "x"/"xx" i modelnavnene angiver tal og/eller tegn for den enkelte model.

K-77XR8x / 65XR8x / 55XR8x

Til kunder

Af hensyn til produktets og den generelle sikkerhed anbefaler Sony på det kraftigste, at monteringen af TV'et udføres af en Sony-forhandler eller en autoriseret installatør. Forsøg ikke at montere det selv.

Til Sony-forhandlere og installatører

Vær opmærksom på sikkerheden under montering, vedligeholdelse og eftersyn af produktet.

Installation af dette produkt kræver visse forudsætninger, især for at finde ud af, om væggen kan bære TV'ets vægt. Monteringen af dette produkt skal udføres af en Sony-forhandler eller autoriseret installatør under hensyntagen til sikkerheden. Sony er ikke ansvarlig for beskadigelse eller personskade, der opstår som følge af forkert håndtering eller forkert montering.

For sikker og korrekt installation, følg vejledningen til beslag til vægmontering, TV-installationsvejledningen og retningslinjerne i denne manual.

Beslag til vægmontering

Om sikkerhed

Tak, fordi du har købt dette produkt.

Til kunder

Vægmontering af TV'et



ADVARSEL

KRÆVER PROFESSIONEL MONTERING

Dette produkt må kun monteres af en professionel installatør, som er uddannet i at fastlægge styrken af væggen i forhold til TV'ets vægt. Hvis det ikke fastgøres korrekt under monteringen, kan TV'et falde ned og forårsage alvorlige kvæstelser. Sony påtager sig intet ansvar for skader eller kvæstelser forårsaget af forkert håndtering eller forkert montering, eller for montering af andet end det specificerede produkt. Dine eventuelle lovsikrede rettigheder påvirkes ikke.

Til Sony-forhandlere

Installation af dette produkt kræver visse forudsætninger. Læs denne betjeningsvejledning grundigt for at udføre monteringen på sikker vis. Sony kan ikke holdes ansvarlig for personskader eller materielle skader forårsaget af ukorrekt behandling eller montering. Giv denne vejledning til kunden efter monteringen.

Denne betjeningsvejledning beskriver korrekt håndtering af produktet og de vigtigste forholdsregler, som er nødvendige for at forhindre ulykker. Det er dit ansvar at læse, forstå og følge alle instruktioner i denne betjeningsvejledning. Undladelse af at gøre dette kan resultere i alvorlige kvæstelser eller tingsskade og kan ugyldiggøre garantien. Gem vejledningen til senere brug.

Sonys produkter er udformet med henblik på at opnå bedst mulig sikkerhed. Hvis produkterne anvendes forkert, kan det medføre alvorlig personskade som følge af brand, elektrisk stød, eller fordi produktet vælter eller falder ned. Undgå sådanne ulykker ved at overholde sikkerhedsforskrifterne.

FORSIGTIG

Specificerede produkter

Dette beslag til vægmontering er udviklet til kun at bruges sammen med de produktspecificerede TV'er. For TV'er skal du læse deres referencevejledning for at finde ud af, om du kan bruge beslaget til vægmontering.

Til kunder

ADVARSEL

Hvis følgende forholdsregler ikke overholdes, kan det medføre alvorlig personskade eller død som følge af brand, elektrisk stød, eller fordi produktet vælter eller falder ned.

Monteringen skal udføres af en autoriseret installatør. Børn må ikke være i nærheden under monteringen.

Hvis beslaget til vægmontering eller TV'et ikke monteres korrekt, kan der ske følgende ulykker. Lad en autoriseret installatør udføre monteringen.

- TV'et kan falde ned og forårsage alvorlige skader, f.eks. blå mærker eller brud.
- Hvis den væg, hvor beslaget til vægmontering er monteret, er ustabil, skæv eller ikke står vinkelret på gulvet, kan enheden falde ned og forårsage personskade eller materiel skade. Væggen skal være i stand til at bære en vægt på mindst seks gange TV'ets vægt. (Flere oplysninger om TV'ets vægt findes i TV'ets referencevejledning.)
- Hvis monteringen af beslaget til vægmontering ikke er solid nok, kan enheden falde ned og forårsage personskade eller materiel skade.

Flytning eller afmontering af TV'et skal udføres af en autoriseret installatør.

Hvis TV'et flyttes eller afmonteres af ikke-autoriserede personer, kan det falde ned og forårsage personskade eller materiel skade. Der er behov for to eller flere personer (tre personer eller flere til et TV på 189,3 cm (75 tommer) eller derover) for at transportere et stort TV-apparat (undtagen Egypten). Der er behov for to eller flere personer (tre personer eller flere til et TV på 75 tommer (189,3 cm) eller derover) for at transportere et stort TV-apparat (kun Egypten).

Du må ikke fjerne skruer osv., når TV'et er monteret.

Hvis du gør dette, kan TV'et falde ned og forårsage personskade eller materiel skade.

Foretag ikke ændringer på beslaget til vægmontering.

Hvis du gør det, kan beslaget til vægmontering falde ned og forårsage personskade eller materiel skade.

Monter ikke andet udstyr end det specificerede produkt.

Dette beslag til vægmontering er udviklet til kun at bruges sammen med det specificerede produkt. Hvis du monterer andet udstyr end det specificerede, kan det falde ned eller gå i stykker og forårsage personskade eller materiel skade.

Monter ikke nogen anden belastning end TV'et på beslaget til vægmontering. Ryst ikke TV'et mod venstre/højre, op/ned.

Hvis du gør dette, kan TV'et falde ned og forårsage personskade eller materiel skade.

Du må ikke læne dig ind over TV'et eller hænge i det.

Du må ikke læne dig ind over TV'et eller hænge i det, da det kan falde ned og forårsage alvorlig personskade.

FORSIGTIG

Hvis følgende forholdsregler ikke overholdes, kan der opstå materiel skade eller personskade.

- Vær omhyggelig med ikke at få fingrene i klemme, når du håndterer beslaget til vægmontering eller drejer TV'et.
- Vær forsigtig, når TV'et drejres, så det ikke kommer til at ramme andre.
- Sørg for at opbevare de ikke-anvendte dele på et sikkert sted til fremtidig brug. Hold dem på afstand af børn.

Håndter produktet forsigtigt under rengøring og vedligeholdelse.

Du må ikke trykke hårdt ind på forsiden af TV'et. Hvis du gør dette, kan TV'et falde ned og forårsage personskade eller materiel skade.

Placer ikke dette produkt i nærheden af medicinsk udstyr.

Dette produkt (inklusive tilbehør) indeholder magnet(er), som muligvis kan interferere med pacemakere, programmerbare shuntventiler til hydrocephalusbehandling eller andet medicinsk udstyr. Placer ikke dette produkt i nærheden af personer, som anvender sådant medicinsk udstyr. Konsulter din læge inden du anvender dette produkt, hvis du anvender nogen former for sådant medicinsk udstyr.

Holdes uden for rækkevidde af børn eller individer under tilsyn.

Dette produkt (inklusive tilbehør) indeholder magnet(er). Slugning af magnet(er) kan forårsage alvorlig skade som for eksempel kvælningssfare eller tarmskader. Hvis magneter (eller en magnet) sluges, skal der straks opsøges læge.

Sikkerhedsforanstaltninger

- Hvis du bruger TV'et monteret på beslaget til vægmontering gennem længere tid, kan væggen bag ved eller oven over TV'et blive misfarvet, eller tapetet kan løsne sig, afhængigt af det materiale, væggen er lavet af.
- Hvis beslaget til vægmontering fjernes efter montering på væggen, bliver skruehullerne tilbage.
- Du må ikke bruge beslaget til vægmontering på et sted, hvor det udsættes for mekaniske vibrationer.

Montering af beslaget til vægmontering

Til Sony-forhandlere

ADVARSEL

Følgende anvisninger er kun til Sony-forhandlere. Sørg for at læse ovennævnte sikkerhedsforskrifter grundigt, og vær særlig opmærksom på sikkerheden under montering, vedligeholdelse, kontrol og reparation af dette produkt.

Monter ikke beslaget til vægmontering på flader, hvor TV'ets hjørner eller sider stikker frem.

Monter ikke beslaget til vægmontering på flader, f.eks. en søjle, hvor TV'ets hjørner eller sider stikker frem. Hvis en person eller genstand støder imod TV'ets fremspringende hjørne eller side, kan det medføre personskaade eller materiel skade.

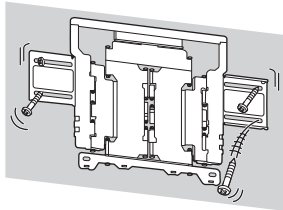


Du må ikke montere TV'et over eller under et klima anlæg.

Hvis TV'et gennem længere tid udsættes for vanddråber eller luft fra et klima anlæg, kan det medføre brand, elektrisk stød eller beskadigelse af TV'et.

Sørg for at montere beslaget til vægmontering sikkert på væggen ved at følge instruktionerne i denne betjeningsvejledning.

Hvis nogle af skrueerne er løse eller falder ud, kan beslaget til vægmontering falde ned og forårsage personskaade eller materiel skade. Sørg for at bruge skrueer, der er egnet til væggen materiale, og monter enheden sikkert ved brug af fire skrueer med en diameter på 8 mm (eller tilsvarende).



Sørg for at bruge de medfølgende skrueer og tilhørende dele korrekt, og følg anvisningerne i denne betjeningsvejledning. Hvis du bruger andre dele, kan TV'et falde ned og forårsage personskaade, eller TV'et kan blive beskadiget.

Sørg for at samle beslaget korrekt ved at følge den procedure, der er forklaret i denne betjeningsvejledning.

Hvis nogle af skrueerne er løse eller falder ud, kan TV'et falde ned og forårsage personskaade, eller TV'et kan blive beskadiget.

Sørg for at stramme skrueerne tilstrækkeligt på den angivne position.

Hvis du ikke gør dette, kan TV'et falde ned og forårsage personskaade, eller TV'et kan blive beskadiget.

Sørg for, at TV'et ikke udsættes for stødpåvirkninger under monteringen.

Hvis TV'et udsættes for stødpåvirkninger, kan det falde ned og gå i stykker. Dette kan forårsage personskaade.

Sørg for at montere TV'et på en væg, der er plan og vinkelret på gulvet.

Hvis du ikke gør dette, kan TV'et falde ned og forårsage personskaade.

Sørg for at sikre kablerne forsvarligt efter korrekt montering af TV'et.

Hvis mennesker eller genstande bliver viklet ind i kablerne, kan det forårsage personskaade eller beskadigelse af TV'et.

Du må ikke lade strømkablet eller tilslutningskablet blive klemt.

Hvis strømkablet eller tilslutningskablet er klemt mellem enheden og væggen eller bøjes eller snoes, kan ledningstrådene blive blottagt og forårsage kortslutning eller strømafbrydelse. Dette kan medføre brand eller elektrisk stød.



De skrueer, der skal bruges til at fastgøre beslaget til vægmontering, medfølger ikke.

Brug skrueer, der egner sig til det materiale, væggen er lavet af, når beslaget til vægmontering monteres.

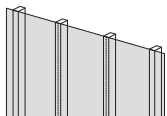
Før du går i gang

- Illustrationer af TV'et, der vises i denne brugervejledning, er eksempler, som anvendes til at give tydelige forklaringer på funktionerne. Af denne grund kan illustrationerne synes forskellige fra dit faktiske TV.

Hvad er din væg lavet af?

Undersøg først typen af væggen, hvor TV'et skal monteres.

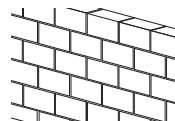
Gipsvæg med stivere



Sikkerhedsforanstaltninger

- Maksimal tykkelse af gipsvæg: 16 mm.
- Kontroller, at de indvendige stivere måler mindst 51 mm × 102 mm i almindeligt mål eller 38 mm × 89 mm nominelt.
- Hold mindst 406 mm vandret afstand mellem fastgørelseselementerne.

Massiv beton eller betonelementer



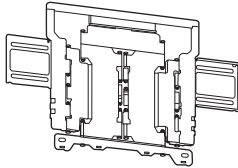



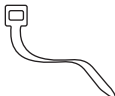
Sikkerhedsforanstaltninger

- Monter beslaget til vægmontering direkte på den massive betonvæg.
- Kontroller, at tykkelsen af den massive betonvæg er mindst 203 mm.
- Kontroller, at størrelsen på hvert betonelement er mindst 203 mm × 203 mm × 406 mm.

Kontrol af dele

Følger med SU-WL850



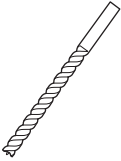
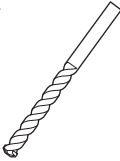
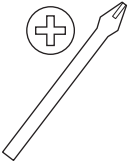
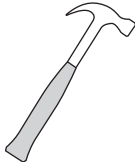
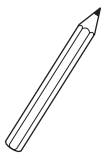
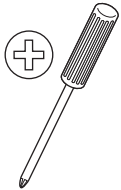
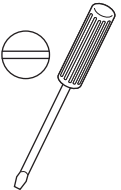
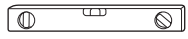


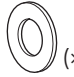
- Kontroller, at alle dele forefindes.

WM1 (x1) 	WM2 (x1) 	WM3 (x4) 
M6 (x4) 	WT1 (x6) 	

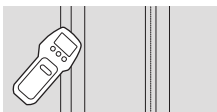
DK

Klargøring for installation

- Sørg for at have TV-referncevejledningen og installationsvejledningen klar inden installation.
- Find TV'ets midtpunkt.
- Klargør fire skruer med 8 mm diameter og fire almindelige skiver (medfølger ikke). Vælg skruer, der passer til væggens materiale.
- Klargør følgende værktøjer:

*1 		 5,5 mm	 10 mm	
*2 		 1,5 N·m {15 kgf·cm}	*3  1,5 N·m {15 kgf·cm}	
	*2  (x4)	*4  (x4) 8 mm × 60 mm	*4  (x4)	

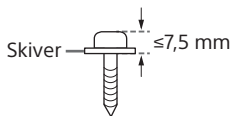
*1 Kun for gipsvæg med stivere



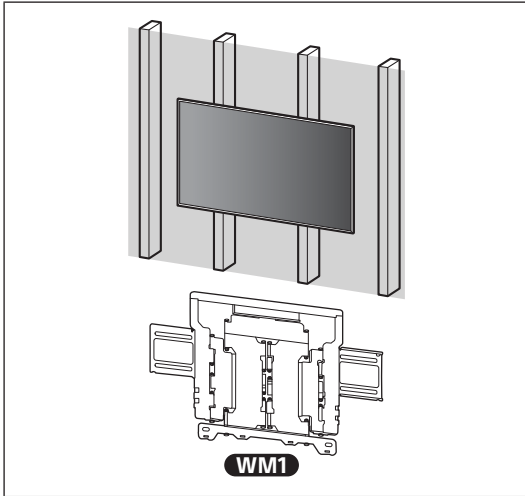
*2 Kun for massiv beton eller betonelementer

*3 Afhængig af modeller

*4 Vær omhyggelig med valget af skruer og skiver



A Montering af beslag til vægmontering på gipsvæg med stivere



Montering af beslaget til vægmontering på væggen

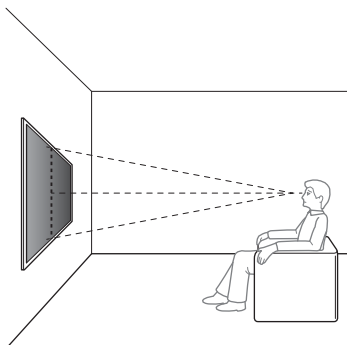
1 Find TV'ets placering.

Sørg for, at der er nok plads til TV'et på væggen, og at væggen kan bære en vægt på mindst seks gange TV'ets vægt.

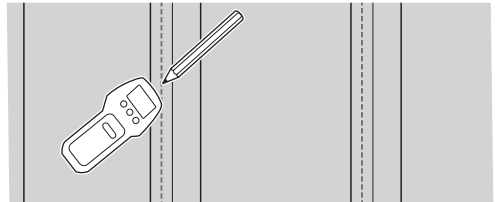
- Se "Måling til montering af beslag til vægmontering på væggen" på side 18.
- Flere oplysninger om TV'ets vægt findes i TV'ets referencevejledning.

Bemærk

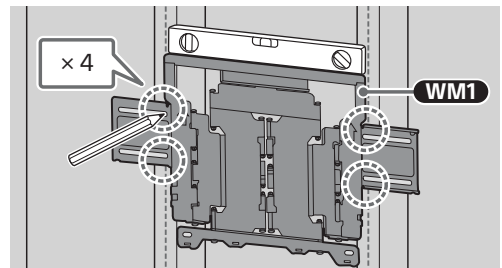
- Hvis TV'et monteres på en væg, vipper TV'ets øverste del lidt fremad.
- Vi anbefaler, at du kontrollerer placeringen af TV'et i de omgivelser, det skal anvendes i.



2



3 Anbring **WM1** mod væggen, juster det, og lav fire mærker ud for stiverne.

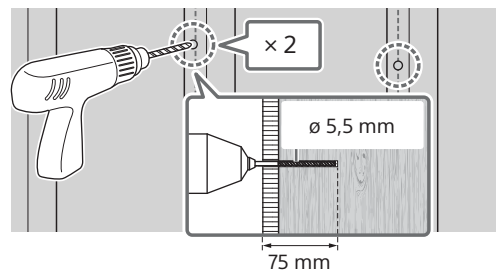


Bemærk

- Brug et vaterpas til at kontrollere, om **WM1** er i vater.

4 Udfør forboring ved de øverste mærker.

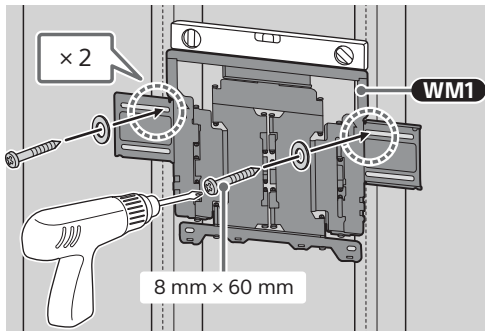
Sørg for, at stedet på væggen til boring af huller er stærkt nok til at bære en vægt, der er mindst seks gange så stor som TV'ets.



Bemærk

- Forboringen skal udføres i en dybde af 75 mm med et 5,5 mm bor.

- 5 Monter **WM1** på væggen med egnede skruer (medfølger ikke) og skiver (medfølger ikke).



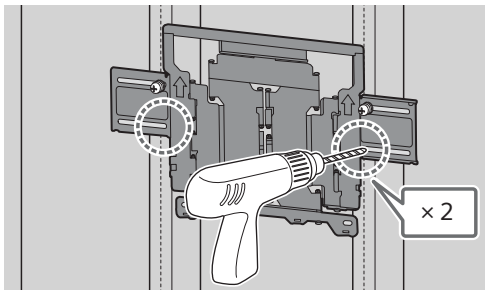
Bemærk

- Brug et vaterpas til at kontrollere, om **WM1** er i vater.

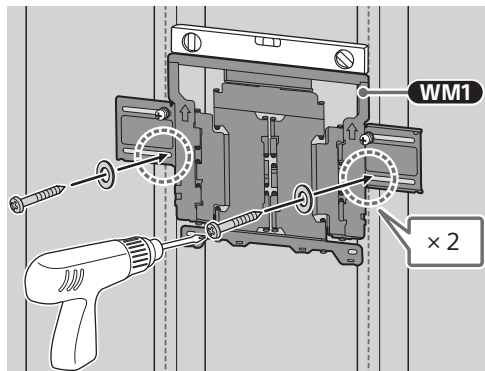
Forholdsregler

- Overspænd ikke træskruen 8 mm x 60 mm. Forkert tilspænding kan reducere træskruens 8 mm x 60 mm holdestyrke.

- 6 Udfør forboring ved de nederste mærker. (Se trin 4 for vejledning om boring.)



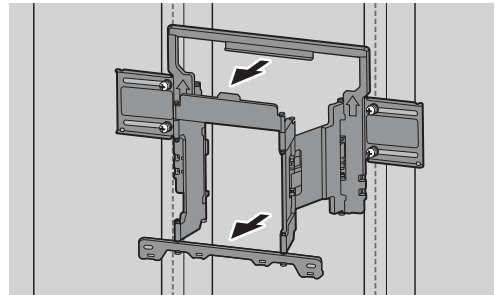
- 7 Sæt egnede skruer med skiver i hullerne.



Bemærk

- Brug et vaterpas til at kontrollere, om **WM1** er i vater.

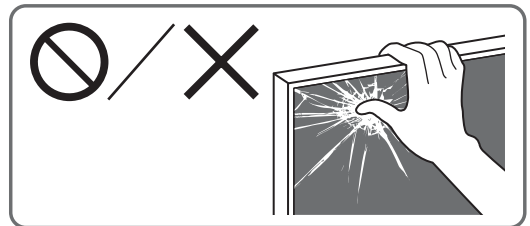
- 8 Træk armen på beslaget helt ud.



Gør klar til montering af TV'et

Bemærk

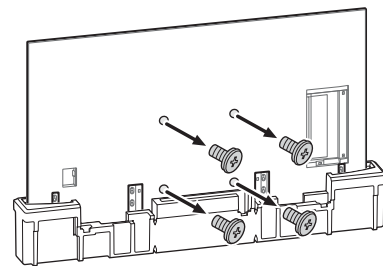
- Sørg for at opbevare de fjernede skruer og dele, der ikke anvendes, på et sikkert sted – utilgængeligt for børn.



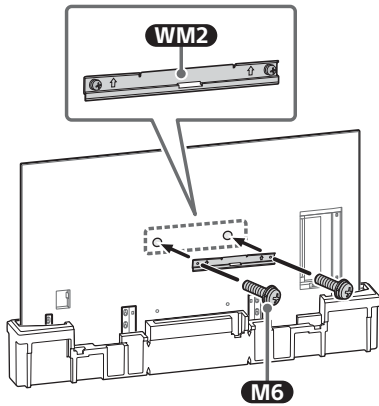
Vægmontering af TV'et fra kassen*1

- *1 Kun for begrænsede regioner/lande/modeller.

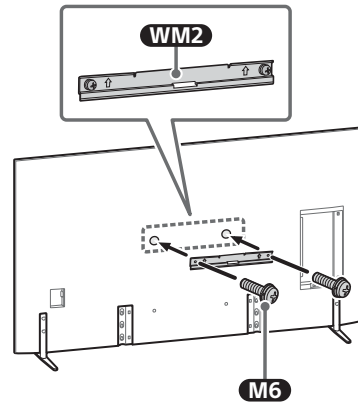
- 1 Fjern skruerne fra bagsiden af TV'et.



2 Sæt **WM2** på TV'et ved hjælp af **M6**.

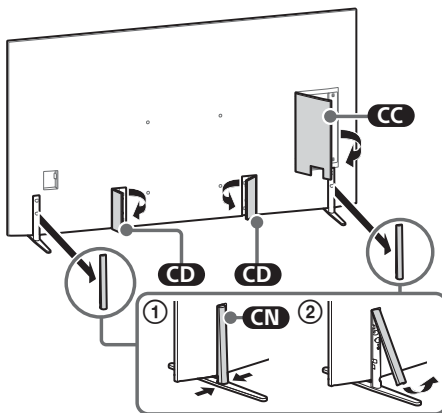


3 Sæt **WM2** på TV'et ved hjælp af **M6**.

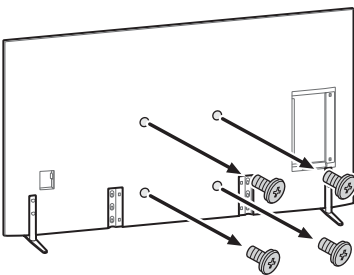


Vægmontering af TV'et fra TV-fod

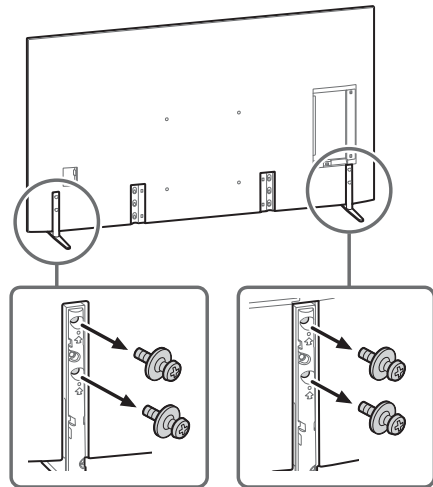
1 Fjern beklædninger til stand og terminaldæksler.



2 Fjern skruerne fra bagsiden af TV'et.



4 Afmonter TV'ets TV-fod.

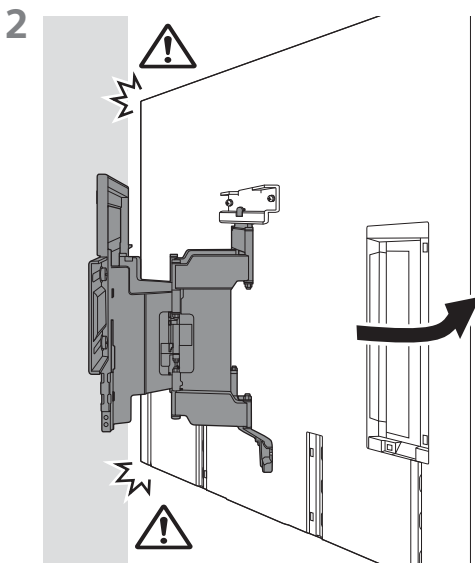
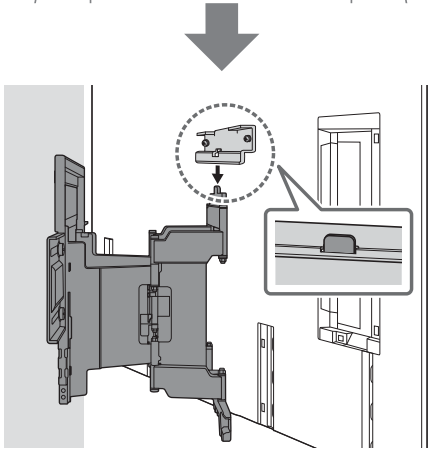
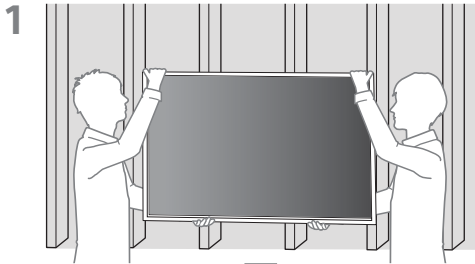
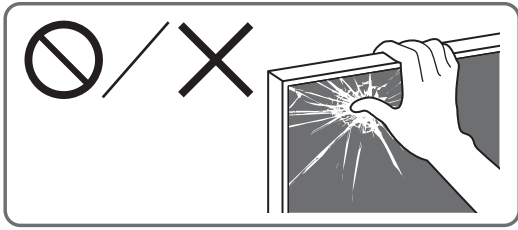


Bemærk

- Vær forsigtig når du løfter TV'et, når TV-foden er afmonteret, da TV-foden kan vælte og forårsage personskade.
- Vær forsigtig, når du fjerner TV-foden fra TV'et for at forhindre, at det vælter og beskadiger overfladen, som TV'et er placeret på.

DK

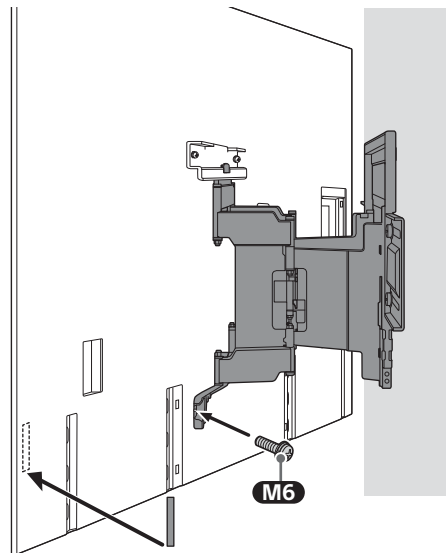
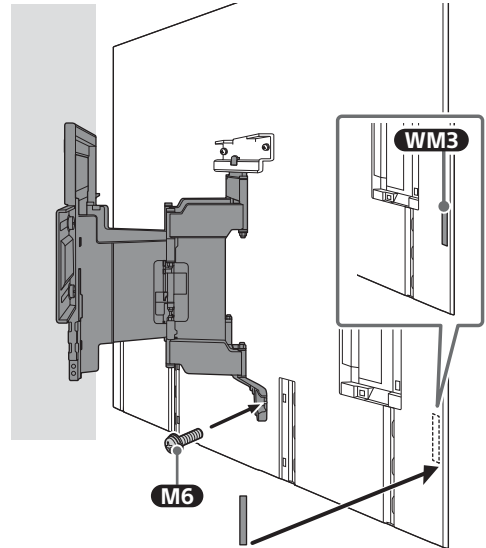
Vægmontering af TV'et

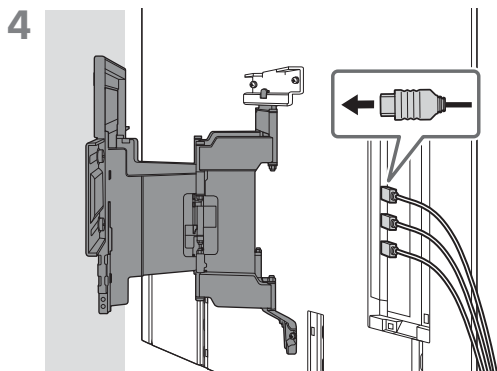


3 Skru på venstre og højre side af beslaget til vægmontering ved brug af **M6** og fastgør **WM3**.

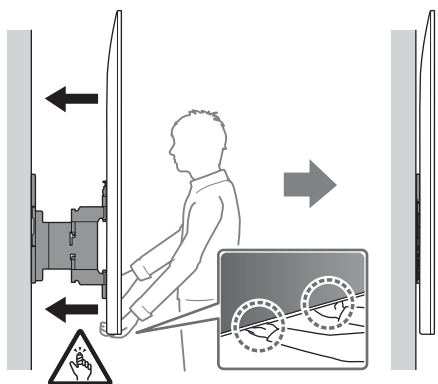
Bemærk

- Sæt ikke **WM3** på mærkatene.



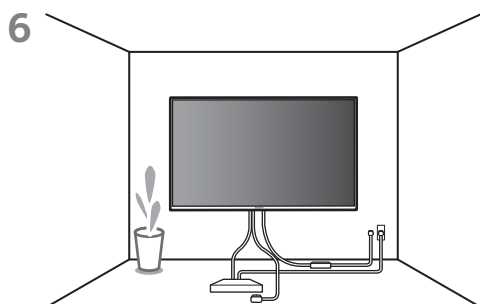


5 Ved flytning af TV'et skal det holdes godt fast på undersiden.



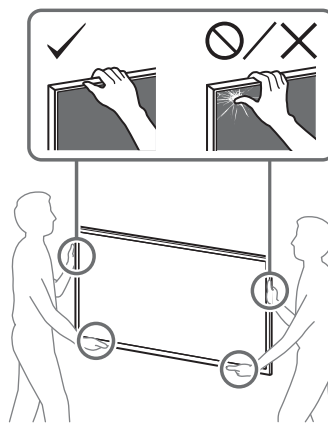
Bemærk

- TV'et flyttes muligvis ikke tæt på væggen alt efter type og antal tilsluttede kabler. Dette er ikke en funktionsfejl.



ADVARSEL

- Der er behov for to eller flere personer (tre personer eller flere til et TV på 189,3 cm (75 tommer) eller derover) for at transportere et stort TV-apparat (undtagen Egypten).
Der er behov for to eller flere personer (tre personer eller flere til et TV på 75 tommer (189,3 cm) eller derover) for at transportere et stort TV-apparat (kun Egypten).



Kontroller monteringen

Kontroller følgende punkter.

- Ledningen og kablet må ikke være snoet eller klemt.

ADVARSEL

- Forkert placering af strømkablet osv. kan medføre brand eller give elektrisk stød, hvis der opstår en kortslutning. Kontroller, at monteringen er sikker.

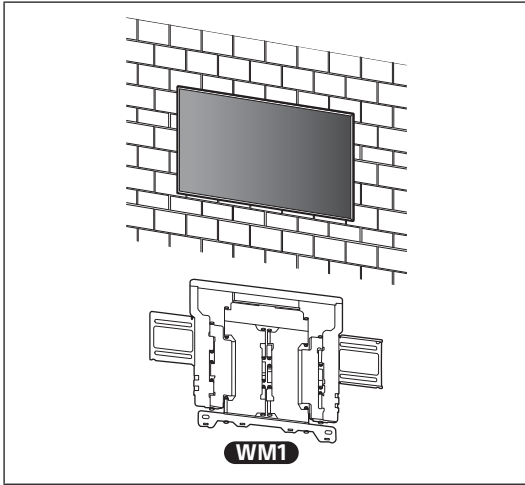
Flere oplysninger

Hvis TV'et skal afmonteres, udføres monteringsproceduren i omvendt rækkefølge.

ADVARSEL

- Der er behov for to eller flere personer (tre personer eller flere til et TV på 189,3 cm (75 tommer) eller derover) for at transportere et stort TV-apparat (undtagen Egypten).
Der er behov for to eller flere personer (tre personer eller flere til et TV på 75 tommer (189,3 cm) eller derover) for at transportere et stort TV-apparat (kun Egypten).

B Montering af beslaget til vægmontering på massiv beton eller betonelementer



Montering af beslaget til vægmontering på væggen

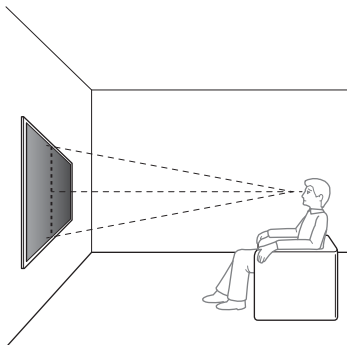
1 Find TV'ets placering.

Sørg for, at der er nok plads til TV'et på væggen, og at væggen kan bære en vægt på mindst seks gange TV'ets vægt.

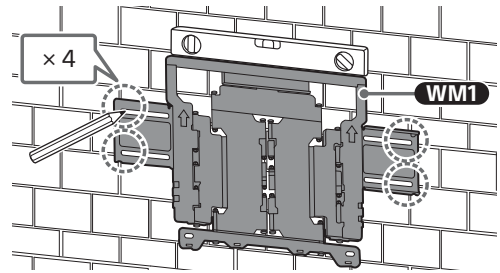
- Se "Måling til montering af beslag til vægmontering på væggen" på side 18.
- Flere oplysninger om TV'ets vægt findes i TV'ets referencevejledning.

Bemærk

- Hvis TV'et monteres på en væg, vipper TV'ets øverste del lidt fremad.
- Vi anbefaler, at du kontrollerer placeringen af TV'et i de omgivelser, det skal anvendes i.



2 Anbring WM1 mod væggen, og lav fire mærker.

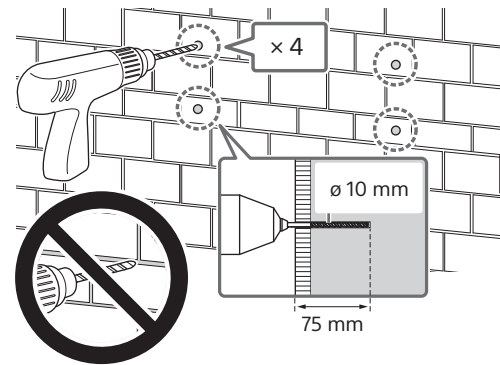


Bemærk

- Brug et vaterpas til at kontrollere, om WM1 er i vater.

3 Forbor huller på mærkerne.

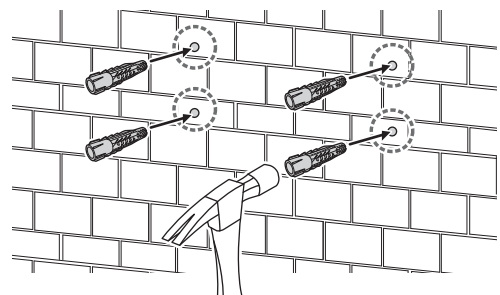
Sørg for, at stedet på væggen til boring af huller er stærkt nok til at bære en vægt, der er mindst seks gange så stor som TV'ets.



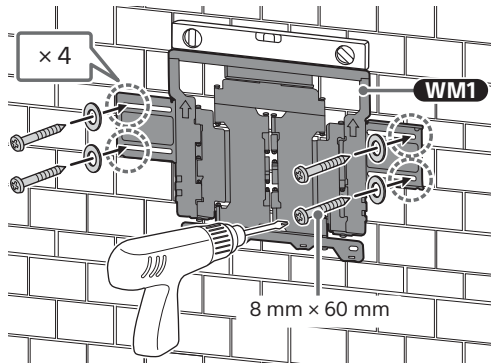
Bemærk

- Forboringen skal udføres i en dybde af 75 mm med et 10 mm bor.

4



- 5 Monter **WM1** på væggen med egnede skruer (medfølger ikke) og skiver (medfølger ikke).



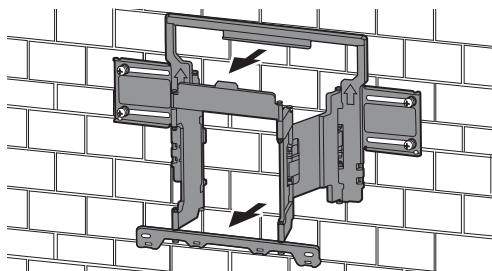
Bemærk

- Brug et vaterpas til at kontrollere, om **WM1** er i vater.

Forholdsregler

- Overspænd ikke træskruen 8 mm x 60 mm. Forkert tilspænding kan reducere træskruens 8 mm x 60 mm holdestykke.

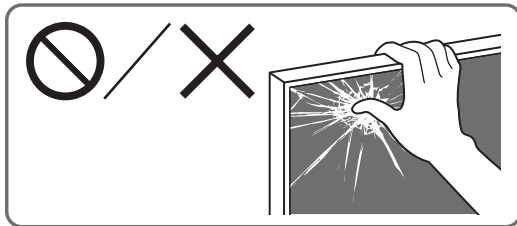
- 6 Træk armen på beslaget helt ud.



Gør klar til montering af TV'et

Bemærk

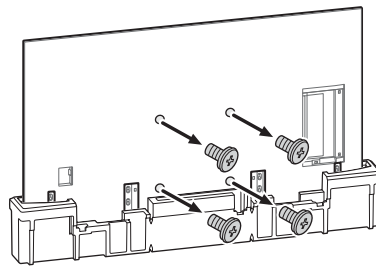
- Sørg for at opbevare de fjernede skruer og dele, der ikke anvendes, på et sikkert sted – utilgængeligt for børn.



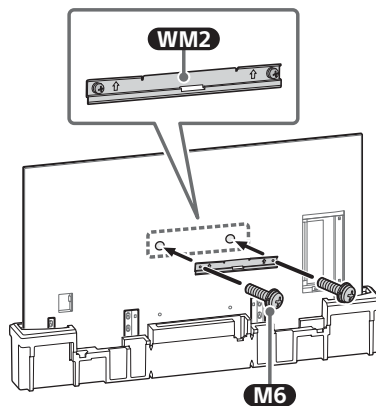
Vægmontering af TV'et fra kassen*1

- *1 Kun for begrænsede regioner/lande/modeller.

- 1 Fjern skruerne fra bagsiden af TV'et.

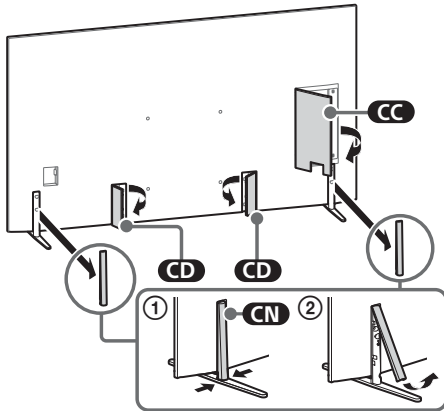


- 2 Sæt **WM2** på TV'et ved hjælp af **M6**.

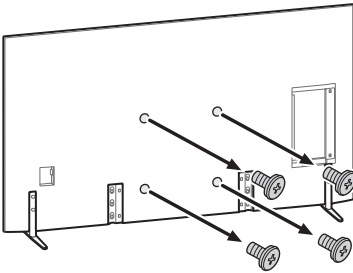


Vægmontering af TV'et fra TV-fod

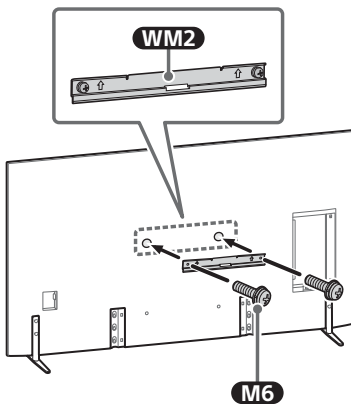
- 1 Fjern beklædninger til stand og terminaldæksler.



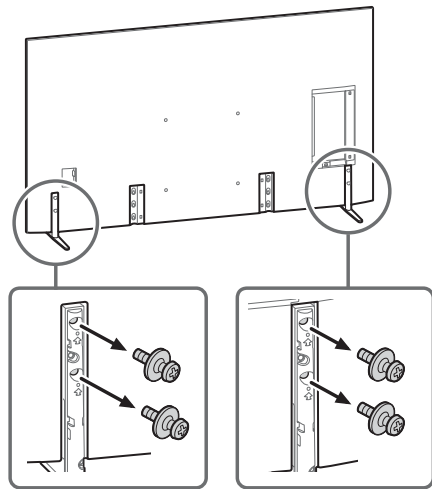
- 2 Fjern skruerne fra bagsiden af TV'et.



- 3 Sæt **WM2** på TV'et ved hjælp af **M6**.



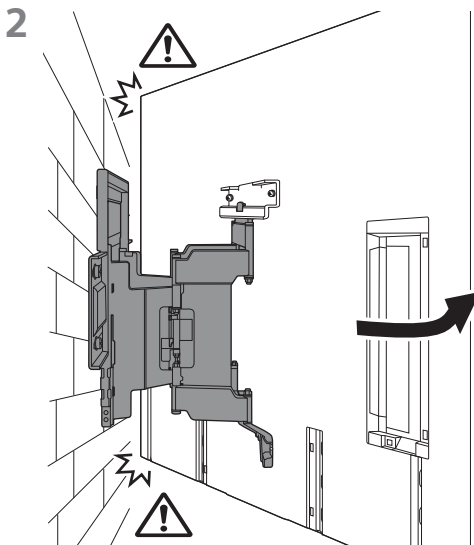
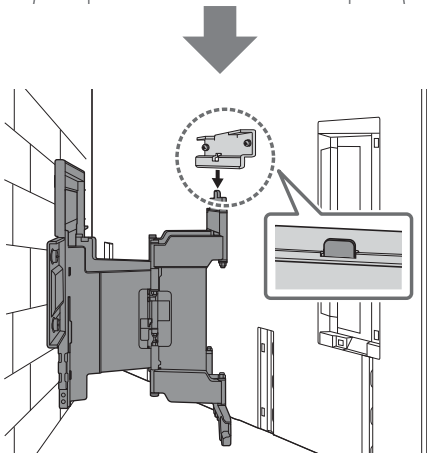
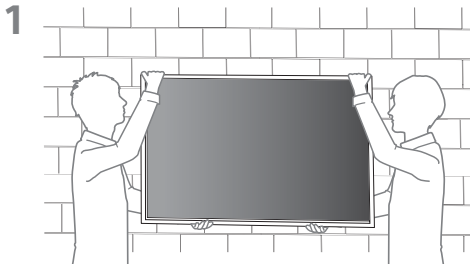
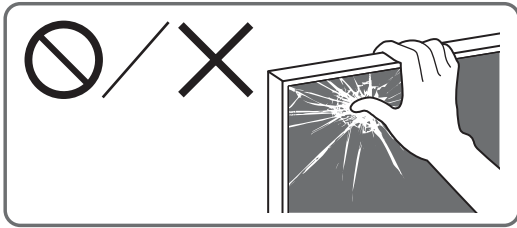
- 4 Afmonter TV'ets TV-fod.



Bemærk

- Vær forsigtig når du løfter TV'et, når TV-foden er afmonteret, da TV-foden kan vælte og forårsage personskade.
- Vær forsigtig, når du fjerner TV-foden fra TV'et for at forhindre, at det vælter og beskadiger overfladen, som TV'et er placeret på.

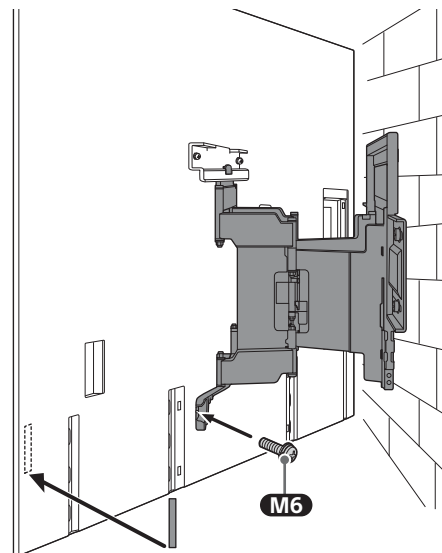
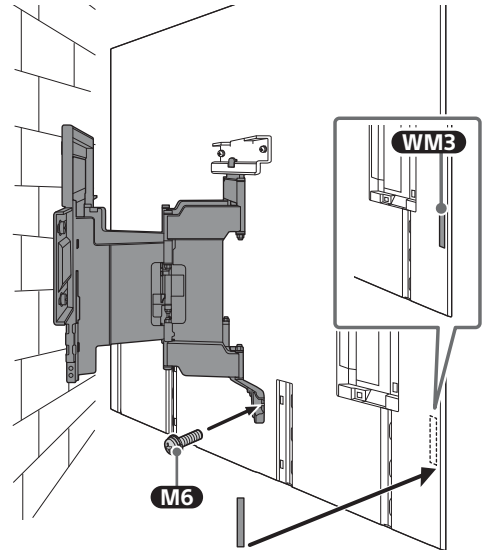
Vægmontering af TV'et



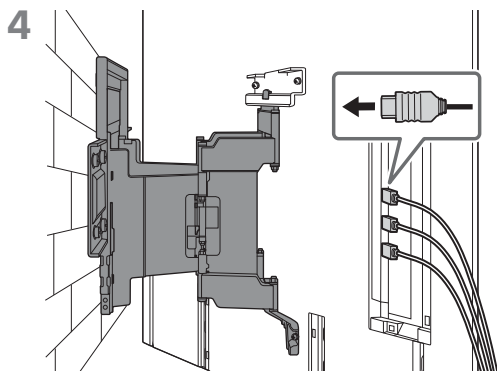
3 Skru på venstre og højre side af beslaget til vægmontering ved brug af **M6** og fastgør **WM3**.

Bemærk

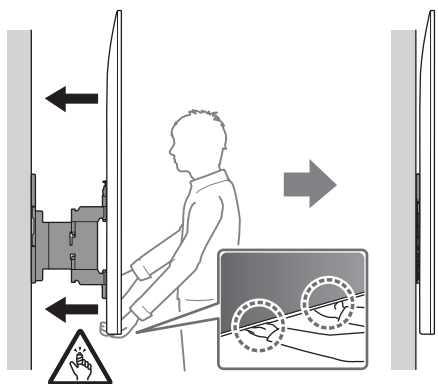
- Sæt ikke **WM3** på mærkatene.



DK

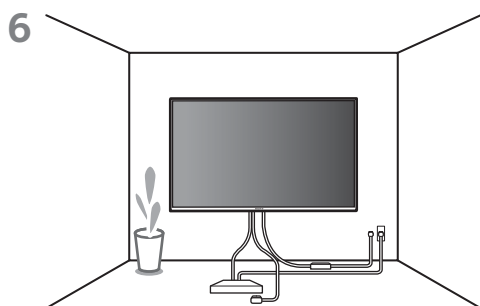


5 Ved flytning af TV'et skal det holdes godt fast på undersiden.



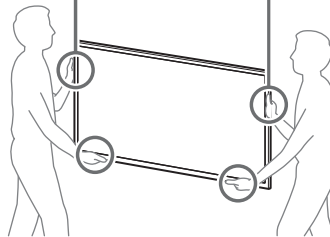
Bemærk

- TV'et flyttes muligvis ikke tæt på væggen alt efter type og antal tilsluttede kabler. Dette er ikke en funktionsfejl.



ADVARSEL

- Der er behov for to eller flere personer (tre personer eller flere til et TV på 189,3 cm (75 tommer) eller derover) for at transportere et stort TV-apparat (undtagen Egypten).
Der er behov for to eller flere personer (tre personer eller flere til et TV på 75 tommer (189,3 cm) eller derover) for at transportere et stort TV-apparat (kun Egypten).



Kontroller monteringen

Kontroller følgende punkter.

- Ledningen og kablet må ikke være snoet eller klemt.

ADVARSEL

- Forkert placering af strømkablet osv. kan medføre brand eller give elektrisk stød, hvis der opstår en kortslutning. Kontroller, at monteringen er sikker.

Flere oplysninger

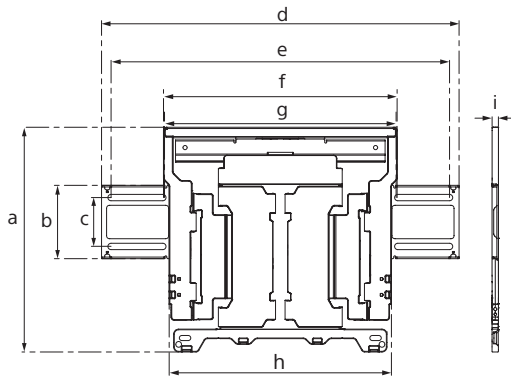
Hvis TV'et skal afmonteres, udføres monteringsproceduren i omvendt rækkefølge.

ADVARSEL

- Der er behov for to eller flere personer (tre personer eller flere til et TV på 189,3 cm (75 tommer) eller derover) for at transportere et stort TV-apparat (undtagen Egypten).
Der er behov for to eller flere personer (tre personer eller flere til et TV på 75 tommer (189,3 cm) eller derover) for at transportere et stort TV-apparat (kun Egypten).

Specifikationer

WM1



Mål: (ca.) [mm]

a : 354

b : 116

c : 77

d : 563

e : 533

f : 370

g : 368

h : 350

i : 11

Vægt (kun base): (ca.) [kg]

3,0

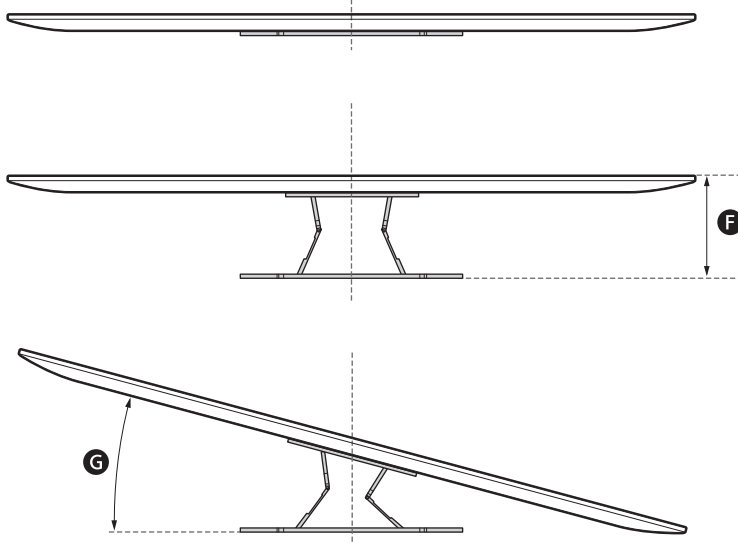
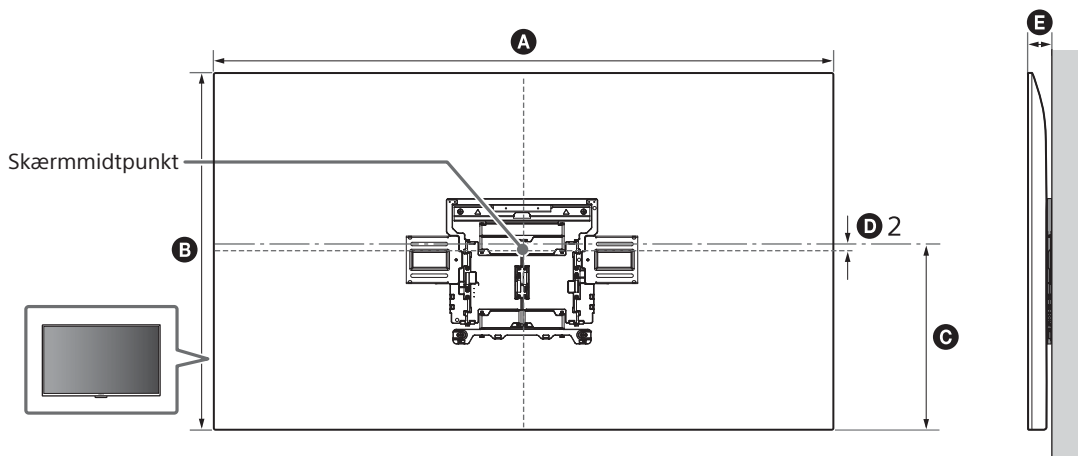
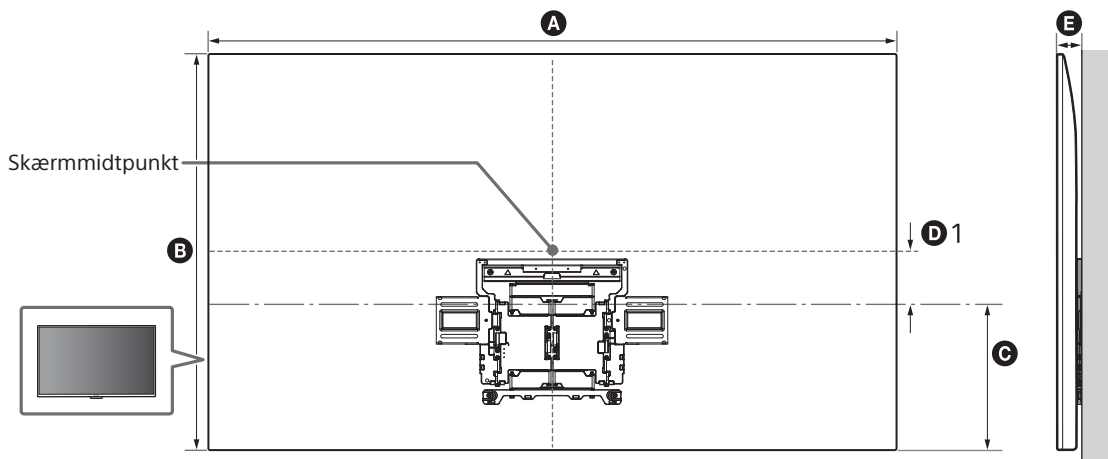
Design og specifikationer kan ændres uden varsel.

DK

Referencer

Måling til montering af beslag til vægmontering på væggen

Tallene i oversigten kan variere en smule afhængigt af monteringen.



(mm)

Modelnavn	A	B	C	D 1	D 2	E	F ^{*1}	G ^{*1} (°)
K-77XR8x	1 713	984	362	139	-	48	251,4	12
K-65XR8x	1 442	829	362	57	-	48	250,8	17
K-55XR8x	1 223	706	362	-	3	48	250,8	19

*1 (Ca.)

Asennustiedot Sonyn seinäasennuskiinnittimen (SU-WL850) käyttämiseksi

Tuetut mallit*1:

*1 Kyseisissä mallinimissä "x"/"xx" tarkoittaa kunkin mallin numeroita ja/tai merkkejä.

K-77XR8x / 65XR8x / 55XR8x

Asiakkaille

Tuotteen suojelemiseksi ja turvallisuuden vuoksi Sony suosittelee, että TV:n asennus annetaan Sonyn jälleenmyyjän tai luvallisen urakoitsijan tehtäväksi. Älä yritä asentaa sitä itse.

Sony-jälleenmyyjille ja urakoitsijoille

Kiinnitä erityistä huomiota turvallisuuteen tämän tuotteen asennuksen, huollon ja tarkastuksen aikana.

Tämän tuotteen asentaminen edellyttää riittävää ammattitaitoa erityisesti sen määrittämiseksi, kestäkö seinä TV:n painon. Tämän tuotteen seinään asentaminen on jätettävä Sonyn jälleenmyyjän tai luvallisen urakoitsijan tehtäväksi ja asennuksen turvallisuuteen on kiinnitettävä riittävästi huomiota. Sony ei ole vastuussa mistään vahingosta tai vammoista, jotka johtuvat tuotteen väärästä käsittelystä tai asennuksesta.

Varmista turvallisuus ja asianmukainen asennus noudattamalla seinäasennuskiinnittimen käyttöohjeita, TV:n asetusopasta ja tämän oppaan ohjeita.

Seinäasennuskiinnitin

Turvallisuus

Kiitos, että päätit ostaa tämän tuotteen.

Asiakkaille

TV:n asennus seinälle



VAROITUS

VAATII AMMATTILAISEN ASENNUKSEN

Tämän tuotteen saa asentaa vain ammattimainen asentaja, joka osaa määrittää kestäväksi seinä TV:n painon. Jos TV:tä ei kiinnitetä oikein asennuksen aikana, se saattaa pudota ja aiheuttaa vakavan loukkaantumisen. Sony ei ole vastuussa vahingoista tai loukkaantumisesta, joka johtuu virheellisestä käsittelystä tai asennuksesta tai muun kuin määritetyn tuotteen asennuksesta. Tämä ei vaikuta (mahdollisiin) lakisääteisiin oikeuksiisi.

Sony-jälleenmyyjille

Tämän tuotteen asentaminen edellyttää riittävää ammattitaitoa. Lue tämä käyttöopas huolellisesti, jotta asennustyö olisi turvallista. Sony ei ole vastuussa mistään vahingosta tai vammoista, jotka johtuvat tuotteen väärästä käsittelystä tai asennuksesta. Anna tämä käyttöohje asiakkaalle asennuksen jälkeen.

Tässä käyttöoppaassa kuvataan tuotteen oikeaoppinen käsittely sekä tärkeät varoitusmerkit onnettomuuksien estämiseksi. Sinun vastuullasi on lukea, ymmärtää läpikotaisin ja noudattaa kaikkia tämän käyttöoppaan ohjeita. Jos näin ei tehdä, seurauksena voi olla vakava henkilökohtainen loukkaantuminen tai omaisuusvahinko ja se voi mitätöidä takuun. Säilytä tämä käyttöohje tulevaa käyttöä varten.

Sonyn tuotteet on suunniteltu turvallisuutta ajatellen. Jos tuotteita käytetään väärin, seurauksena voi olla tulipalon, sähköiskun, tuotteen kaatumisen tai putoamisen aiheuttama vakava henkilövahinko. Huomioi turvallisuutta koskevat varoitukset tällaisten onnettomuuksien estämiseksi.

VAROTOIMET

Määritetyt tuotteet

Tämä seinäasennuskiinnitin on tarkoitettu käytettäväksi sille määritettyjen TV:iden kanssa. Tarkista TV:n viiteoppaasta, että seinäasennuskiinnitintä voidaan käyttää.

Asiakkaille

VAROITUS

Jos seuraavia varoituksia ei noudateta, seurauksena voi olla tulipalon, sähköiskun tai tuotteen putoamisen aiheuttama vakava henkilövahinko tai kuolema.

Asennuksen saa suorittaa vain luvallinen urakoitsija. Pidä lapset poissa asennusalueelta asennuksen aikana.

Jos seinäasennuskiinnitintä tai TV:tä ei asenneta oikein, seurauksena voi olla seuraavat onnettomuudet. Jätä asennus luvallisen urakoitsijan tehtäväksi.

- TV saattaa pudota ja aiheuttaa mustelmia, murtumia tai muun vakavan henkilövahingon.
- Jos seinä, johon seinäasennuskiinnitin asennetaan, on epävakaa, epätasainen tai se ei ole kohtisuorassa lattiaan nähden, yksikkö saattaa pudota ja aiheuttaa henkilö- tai omaisuusvahingon. Seinän pitäisi pystyä kannattamaan vähintään kuusi kertaa TV:n painon. (Katso TV:n paino sen viiteoppaasta.)
- Jos seinäasennuskiinnitintä ei ole asennettu seinälle tarpeeksi tukevasti, yksikkö saattaa pudota ja aiheuttaa henkilö- tai omaisuusvahingon.

Varmista, että TV:n siirtää tai irrottaa luvallinen urakoitsija.

Jos muut kuin luvalliset urakoitsijat asentavat kuljettavat tai irrottavat TV:n, se saattaa pudota ja aiheuttaa henkilö- tai omaisuusvahingon. Suuren television siirtämiseen tarvitaan vähintään kaksi henkilöä (tai vähintään kolme henkilöä, jos television koko on yli 189,3 cm (75 tuumaa)) (paitsi Egypti). Suuren television siirtämiseen tarvitaan vähintään kaksi henkilöä (tai vähintään kolme henkilöä, jos television koko on yli 75 tuumaa (189,3 cm)) (vain Egypti).

Älä irrota ruuveja tms. TV:n kiinnityksen jälkeen.

Jos näin tehdään, TV saattaa pudota ja aiheuttaa henkilö- tai omaisuusvahingon.

Älä tee muutoksia seinäasennuskiinnittimen osiin.

Jos näin tehdään, seinäasennuskiinnitin saattaa pudota ja aiheuttaa henkilö- tai omaisuusvahingon.

Älä asenna muita laitteita kuin määritelty tuote.

Tämä seinäasennuskiinnitin on tarkoitettu käytettäväksi ainoastaan sille määritetyn tuotteen kanssa. Jos asennat muun kuin määritetyn laitteen, se saattaa pudota ja rikkoutua ja aiheuttaa henkilö- tai omaisuusvahingon.

Älä kohdista seinäasennuskiinnittimeen TV:n lisäksi muuta kuormaa. Älä ravista TV:tä vasemmalle/oikealle tai ylös/alas.

Jos näin tehdään, TV saattaa pudota ja aiheuttaa henkilö- tai omaisuusvahingon.

Älä nojaa TV:hen tai riipu siitä.

Älä nojaa TV:hen tai riipu siitä, sillä se saattaa pudota ja aiheuttaa vakavan henkilövahingon.

VAROTOIMET

Jos seuraavia varoituksia ei noudateta, seurauksena voi olla henkilö- tai omaisuusvahinko.

- Varo, etteivät sormet jää väliin, kun käsittelet seinäasennuskiinnitintä tai käännät TV:tä.
- Kun käännät TV:tä, käsittele varoen ja huolehdi, ettet osu lähellä oleviin ihmisiin.
- Muista säilyttää käyttämättömät osat varmassa tallessa tulevaa käyttöä varten. Pidä ne poissa lasten ulottuvilta.

Älä käytä liikaa voimaa tuotteen puhdistuksen tai huollon yhteydessä.

Älä paina TV:n yläsivulta liialla voimalla. Jos näin tehdään, TV saattaa pudota ja aiheuttaa henkilö- tai omaisuusvahingon.

Älä sijoita tätä laitetta lähelle lääketieteellisiä laitteita.

Tässä tuotteessa (lisävarusteet mukaan lukien) on magneetteja, jotka voivat häiritä tahdistimia, hydrokefalian hoitoon tarkoitettuja ohjelmoitavia suuntiventiileitä tai muita lääketieteellisiä laitteita. Älä sijoita tätä laitetta lähelle henkilöitä, jotka käyttävät tällaisia lääketieteellisiä laitteita. Neuvottele lääkärin kanssa ennen tämän tuotteen käyttämistä, jos käytät jotain tällaista lääketieteellistä laitetta.

Säilytettävä lasten tai valvottavien henkilöiden ulottumattomissa.

Tässä tuotteessa (lisävarusteet mukaan lukien) on magneetteja. Magneettien nieleminen voi aiheuttaa vakavia vahinkoja, kuten tukehtumisvaaran tai suolistovammoja. Jos magneetteja (tai magneetti) on nieltä, ota välittömästi yhteyttä lääkäriin.

Varotoimet

- Jos seinäasennuskiinnittimen asennettu TV:tä käytetään pitkään, TV:tä takana tai yläpuolella oleva seinäpinta voi värjäntyä tai tapetti irrota seinämateriaalista riippuen.
- Jos seinäasennuskiinnitin irrotetaan sen seinään asentamisen jälkeen, seinään jää ruuvireiät.
- Älä käytä seinäasennuskiinnintä paikassa, johon kohdistuu mekaanista tärinää.

Seinäasennuskiinnittimen asentaminen

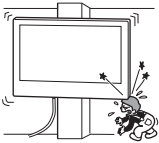
Sony-jälleenmyyjille

VAROITUS

Seuraavat ohjeet ovat ainoastaan Sony-jälleenmyyjille. Muista lukea edellä olevat turvallisuusvarotoimet ja kiinnitä erityistä huomiota turvallisuuteen tämän tuotteen asennuksen, huollon ja tarkastuksen aikana.

Älä asenna seinäasennuskiinnintä seinäpintoihin, joissa TV:n kulmat tai sivut ulkonevat seinäpinnasta.

Älä asenna seinäasennuskiinnintä pylväaseen tai vastaaviin seinäpintoihin, joissa TV:n kulmat tai sivut ulkonevat seinäpinnasta. Jos henkilö tai esine osuu TV:n ulkonevaan kulmaan tai sivuun, seurauksena voi olla henkilö- tai omaisuusvahinko.

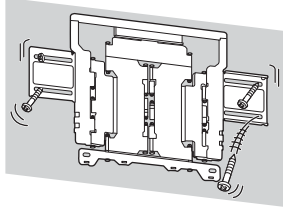


Älä asenna TV:tä ilmastointilaitteen ylä- tai alapuolelle.

Jos TV altistuu ilmastointilaitteen vesivuodoille tai pitkiä aikoja ilmapirrille, seurauksena voi olla tulipalo, sähköisku tai TV:n toimintahäiriö.

Muista asentaa seinäasennuskiinnitin tukevasti seinään tässä käyttöoppaassa annettujen ohjeiden mukaisesti.

Jos jokin ruuveista on löysällä tai pudonnut, seinäasennuskiinnitin saattaa pudota ja aiheuttaa henkilö- tai omaisuusvahingon. Muista käyttää seinän materiaaliin sopivia ruuveja ja asenna yksikkö tukevasti neljällä ruuvilla, jotka ovat halkaisijaltaan 8 mm (tai vastaavia).



Muista käyttää mukana toimitettuja ruuveja ja kiinnitysosia oikein ja noudata tässä käyttöoppaassa annettuja ohjeita. Jos käytät korvaavia osia, TV saattaa pudota ja aiheuttaa henkilövahingon tai vahingoittaa TV:tä.

Muista koota kiinnitin oikein noudattamalla tässä käyttöoppaassa selitettyä menetelmää.

Jos jokin ruuveista on löysällä tai pudonnut, TV saattaa pudota ja aiheuttaa henkilövahingon tai itse TV:n vaurioitumisen.

Muista kiristää ruuvit kunnolla tarkoitettuihin kohtiin.

Jos näin ei tehdä, TV saattaa pudota ja aiheuttaa henkilövahingon tai itse TV:n vaurioitumisen.

Varo kohdistamasta TV:hen iskuja asennuksen aikana.

Jos TV:hen kohdistuu isku, se saattaa pudota tai rikkoutua ja tämä voi aiheuttaa henkilö- tai omaisuusvahingon.

TV on asennettava seinään, joka on sekä kohtisuora että tasainen.

Jos näin ei tehdä, TV saattaa pudota tai rikkoutua ja tämä voi aiheuttaa henkilö- tai omaisuusvahingon.

Kun TV on asennettu oikein, kiinnitä kaapelit kunnolla.

Jos henkilöitä tai esineitä sotkeutuu kaapeleihin, seurauksena saattaa olla henkilövahinko tai TV:n vahingoittuminen.

Älä anna virtajohdon ja liitäntäkaapelin jäädä puristuksiin.

Jos virtajohto tai liitäntäkaapeli jää puristuksiin laitteen ja seinän väliin tai niitä taitetaan tai kierretään voimalla, sisäiset johtimet voivat tulla näkyviin ja seurauksena on oikosulku tai katkos. Tämä voi aiheuttaa tulipalon tai sähköiskun.



Seinäasennuskiinnittimen seinäkiinnitykseen tarvittavat ruuvit eivät sisälly toimitukseen.

Käytä seinämateriaalille ja -rakenteelle sopivia ruuveja, kun kiinnität seinäasennuskiinnittimen.

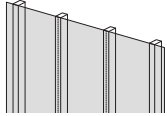
Ennen aloittamista

- Tässä käyttöoppaassa olevat TV:n kuvitukset ovat esimerkkejä, joiden on tarkoitus auttaa antamaan selkeä käsitys toiminnoista. Tästä syystä kuvissa esitetty TV voi näyttää erilaiselta kuin todellinen TV:si.

Mistä seinä on tehty?

Tarkista ensin seinätyyppi, johon TV asennetaan.

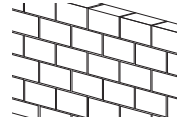
Kipsilevyseinä, jossa on koolaus



Varotoimet

- Kipsilevyseinän maksimipaksuus: 16 mm.
- Varmista, että sisäisen koolauspuun koko on vähintään 51 mm × 102 mm yleisesti tai 38 mm × 89 mm nimellisesti.
- Pidä vähintään 406 mm väliä vaakasuunnassa kiinnittimien välillä.

Betoniseinä tai tiiliseinä



Varotoimet

- Kiinnitä seinäasennuskiinnitin suoraan betoniseinään.
- Varmista, että betoniseinän paksuus on vähintään 203 mm.
- Varmista, että kunkin tiilen koko on vähintään 203 mm × 203 mm × 406 mm.

Osien tarkistaminen



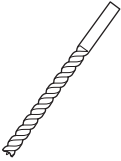
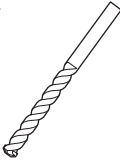
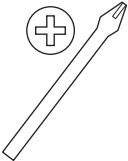
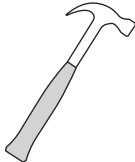
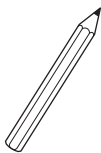

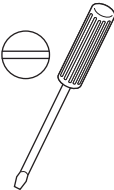
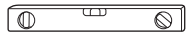



Toimitetaan SU-WL850:n mukana

- Tarkista, että kaikki osat on toimitettu.

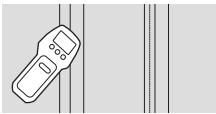
WM1 (x1) 	WM2 (x1) 	WM3 (x4)
M6 (x4) 	WT1 (x6) 	

Asennuksen valmistelu

- Ota TV:n viiteopas ja asetuspöytä esille ennen asennusta.
- Tarkista TV:n asennuskohta.
- Valmistele neljä ruuvia, joiden halkaisija on 8 mm, ja neljä sopivaa aluslevyä (ei sisälly toimitukseen). Valitse seinämateriaalille sopivat ruuvit.
- Ota esille seuraavat työkalut:

*1 		 5,5 mm	 10 mm	
*2 		 1,5 N·m {15 kgf·cm}	*3  1,5 N·m {15 kgf·cm}	
	*2  (x4)	*4  (x4) 8 mm x 60 mm	*4  (x4)	

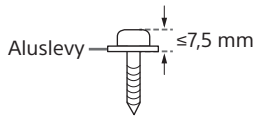
*1 Vain kipsilevyseinä, jossa on koolaus



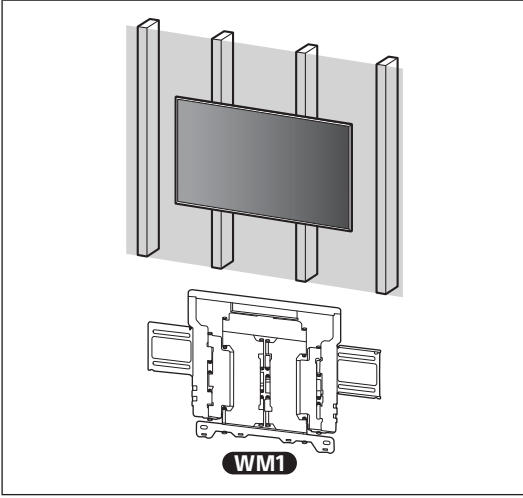
*2 Vain betoniseinä tai tiiliseinä

*3 Mallista riippuen

*4 Valitse ruuvit ja aluslevyt huolellisesti



A Seinäasennuskiinnittimen asentaminen kipsilevyseinään, jossa on koolaus



Seinäasennuskiinnittimen asentaminen seinälle

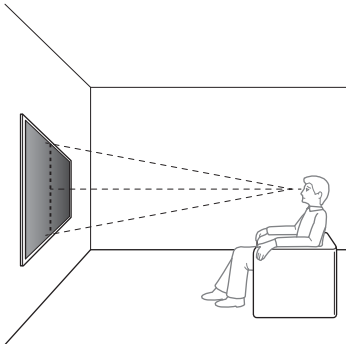
1 Määritä asennuspaikka.

Varmista, että seinä on riittävän iso TV:lle ja pystyy kantamaan vähintään kuusi kertaa TV:n painon.

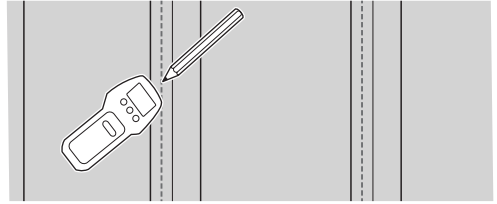
- Katso kohta "Mitat seinäasennuskiinnittimen seinälle asentamista varten" sivulla 17.
- Katso TV:n paino sen viiteoppaasta.

Huomautus

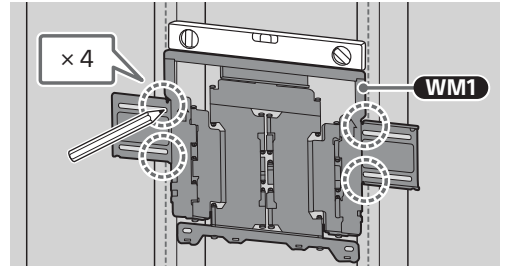
- Kun TV on asennettu seinälle, sen yläreuna on hieman eteenpäin kallellaan.
- Suosittelemme TV:n sijainnin tarkistamisen katseluympäristössä.



2



3 Aseta WM1 seinän mukaisesti ja tee neljä merkkiä koolausten kohdalle.

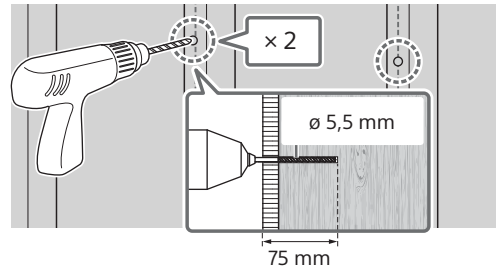


Huomautus

- Tarkista vatupassilla, että WM1 on suorassa.

4 Poraa aloitusreivät merkkien kohdalle.

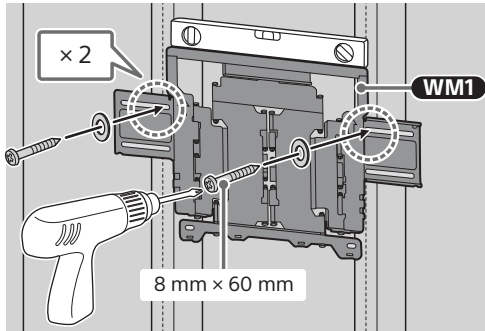
Varmista, että seinän kohta, johon reiät porataan, on tarpeeksi kestävä kannattelemaan vähintään kuusi kertaa TV:n painon.



Huomautus

- Aloitusreiät on porattava 75 mm:n syvyyteen halkaisijaltaan 5,5 mm:n poranterällä.

- 5 Asenna **WM1** seinään sopivilla ruuveilla (ei sisälly toimitukseen) ja aluslevyillä (ei sisälly toimitukseen).



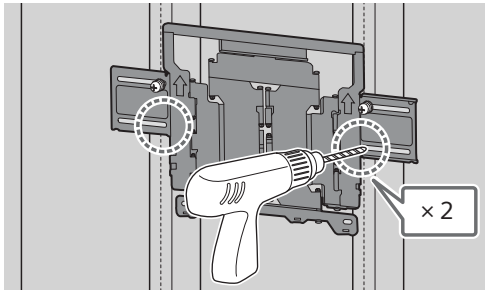
Huomautus

- Tarkista vatupassilla, että **WM1** on suorassa.

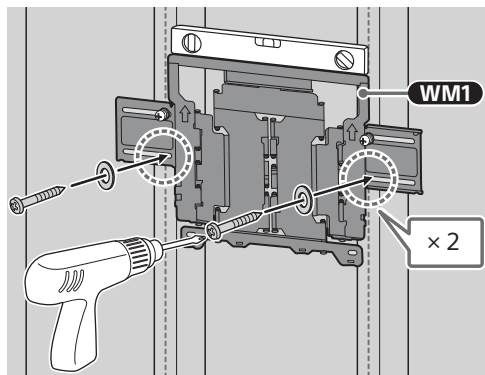
Varoitimet

- Älä ylikiristä puuruuvia (8 mm x 60 mm). Virheellinen kiristäminen voi heikentää puuruuvien (8 mm x 60 mm) pitovoimaa.

- 6 Pora aloituslareiät merkien kohdalle. (Katso vaiheesta 4 porausohjeet.)



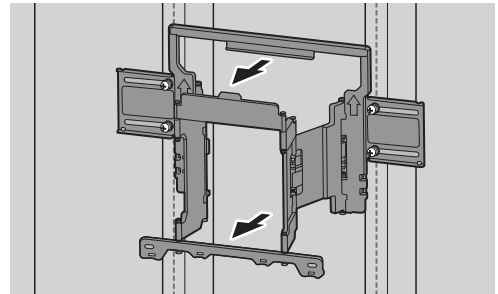
- 7 Etsi sopivat ruuvit ja aluslevyt reikiin.



Huomautus

- Tarkista vatupassilla, että **WM1** on suorassa.

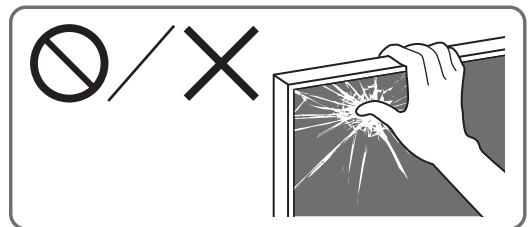
- 8 Vedä kiinnittimen varsi loppuun saakka.



TV:n asennuksen valmistelu

Huomautus

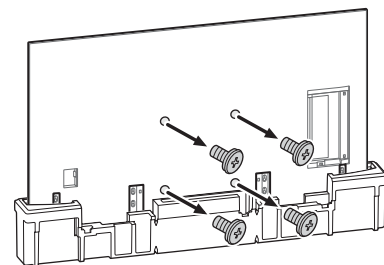
- Laita irrotetut ruuvit ja käyttämättömät osat talteen turvalliseen paikkaan, jossa ne ovat poissa lasten ulottuvilta.



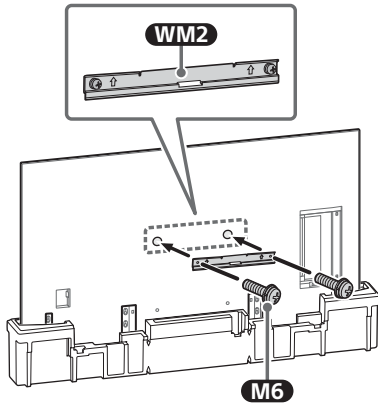
TV:n asennus seinälle pakkauksesta*1

*1 Vain tietyt alueet/maat/mallit.

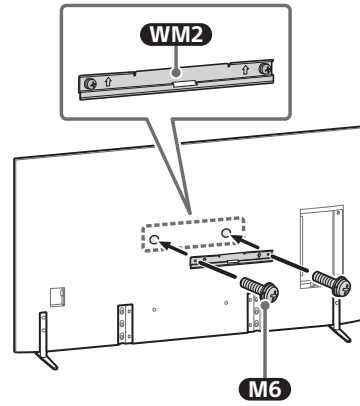
- 1 Irrota ruuvit TV:n takaa.



2 Kiinnitä **WM2** TV:hen **M6**-ruuveilla.

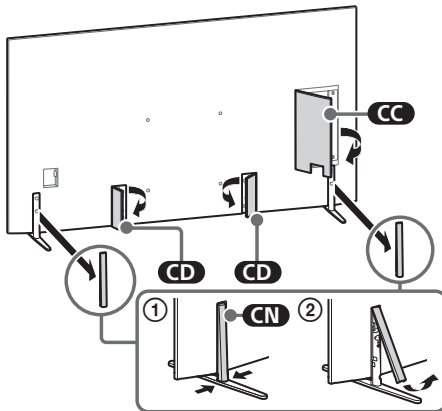


3 Kiinnitä **WM2** TV:hen **M6**-ruuveilla.

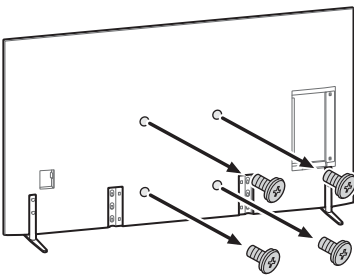


TV:n asennus seinälle pöytäjalustasta

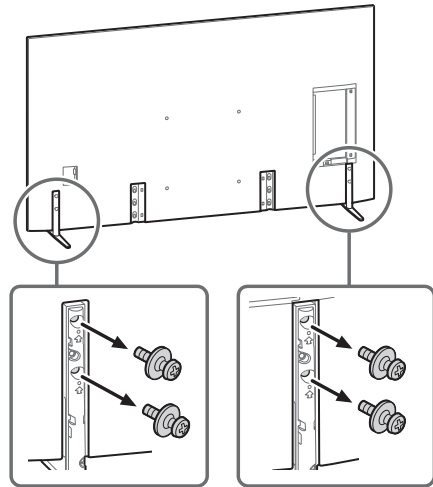
1 Irrota jalustan kannet ja liitinten kannet.



2 Irrota ruuvit TV:n takaa.



4 Irrota pöytäjalusta TV:stä.

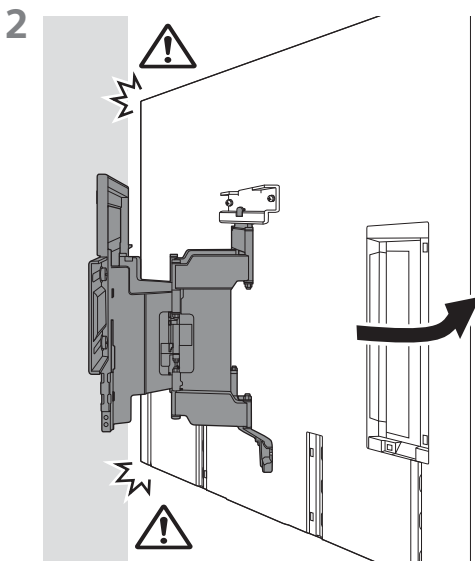
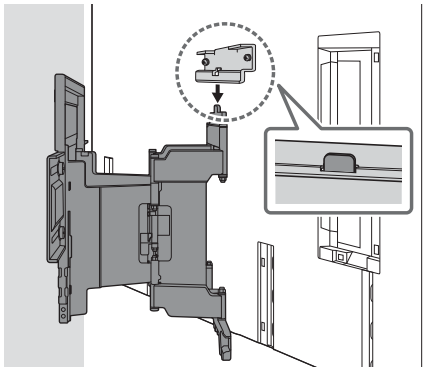
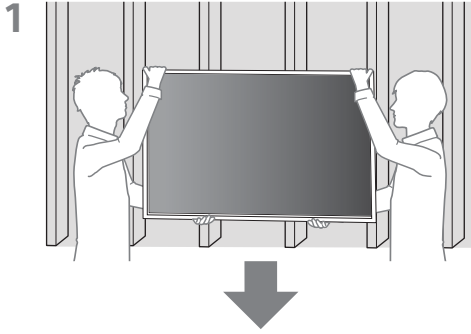
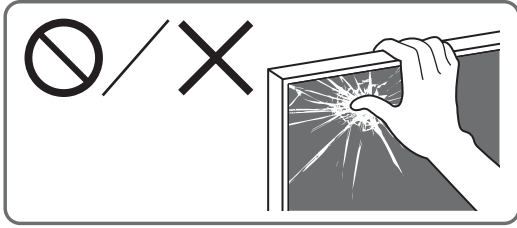


Huomautus

- Ole varovainen nostaessasi pöytäjalustasta irrotettua TV:tä, sillä pöytäjalusta voi kaatua ja aiheuttaa henkilövahingon.
- Ole varovainen irrottaessasi pöytäjalustaa TV:stä, jotta TV ei kaadu ja vahingoita sen alla olevaa pintaa.

FI

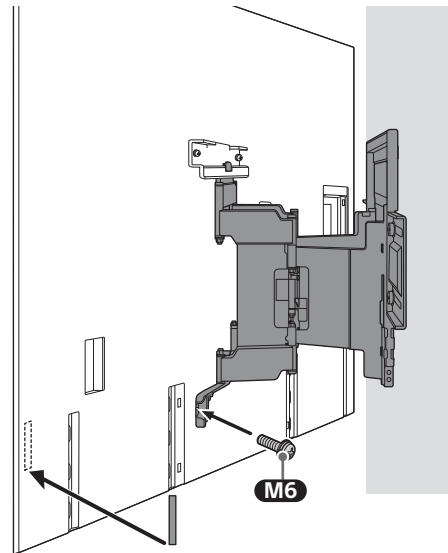
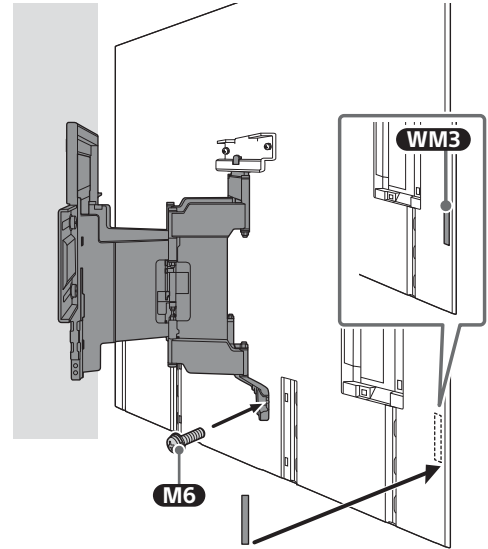
TV:n asennus seinään

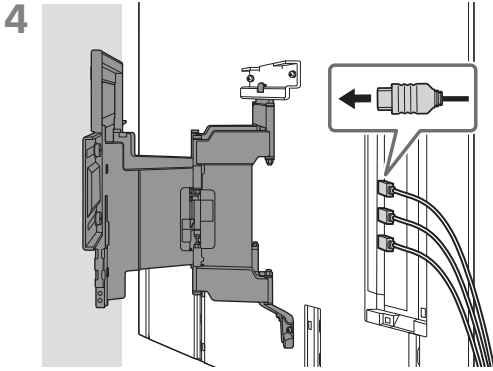


3 Kiinnitä seinäasennuskiinnittimen vasen ja oikea puoli ruuveilla **M6** ja kiinnitä **WM3**.

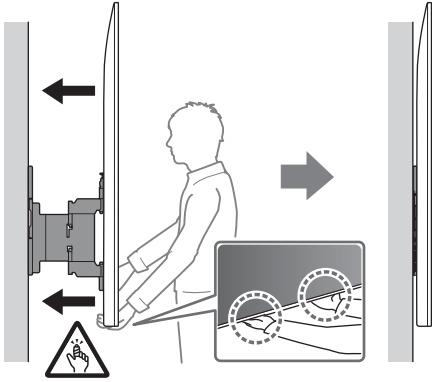
Huomautus

- Älä kiinnitä **WM3**-teippiä merkittyihin kohtiin.



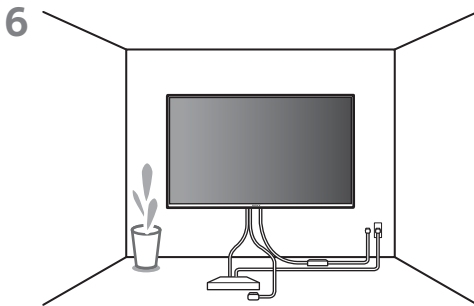


5 Kun siirrät TV:tä, pidä sitä tukevasti pohjasta.



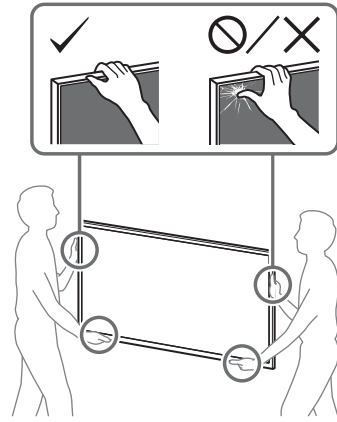
Huomautus

- TV:tä voi olla hankala saada lähelle seinää TV:hen liitettyjen johtojen tyypin ja määrän mukaan. Kyseessä ei ole toimintahäiriö.



VAROITUS

- Suuren television siirtämiseen tarvitaan vähintään kaksi henkilöä (tai vähintään kolme henkilöä, jos television koko on yli 189,3 cm (75 tuumaa)) (paitsi Egypti). Suuren television siirtämiseen tarvitaan vähintään kaksi henkilöä (tai vähintään kolme henkilöä, jos television koko on yli 75 tuumaa (189,3 cm)) (vain Egypti).



Asennuksen tarkistaminen

Tarkista seuraavat kohdat.

- Johto ja kaapeli eivät ole kiertyneenä tai puristuksissa.

VAROITUS

- Virtajohdon jne. virheellinen sijoitus saattaa aiheuttaa tulipalon tai sähköiskun oikosulun vuoksi. Muista tarkistaa valmis asennus turvallisuuden vuoksi.

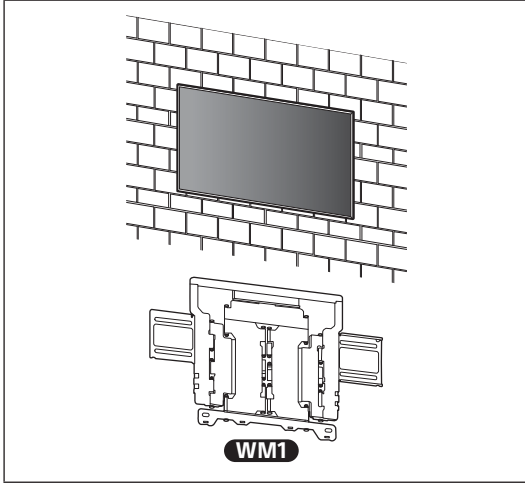
Muuta tietoa

TV irrotetaan asennukseen nähden päinvastaisessa järjestyksessä.

VAROITUS

- Suuren television siirtämiseen tarvitaan vähintään kaksi henkilöä (tai vähintään kolme henkilöä, jos television koko on yli 189,3 cm (75 tuumaa)) (paitsi Egypti). Suuren television siirtämiseen tarvitaan vähintään kaksi henkilöä (tai vähintään kolme henkilöä, jos television koko on yli 75 tuumaa (189,3 cm)) (vain Egypti).

B Seinäasennuskiinnittimen kiinnittäminen betoniseinään tai tiiliseinään



Seinäasennuskiinnittimen asentaminen seinälle

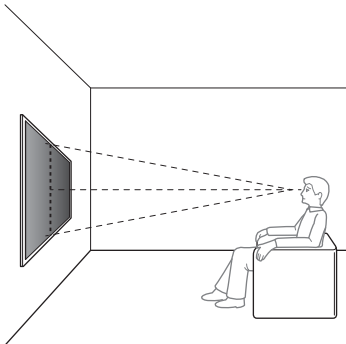
1 Määritä asennuspaikka.

Varmista, että seinä on riittävän iso TV:lle ja pystyy kantamaan vähintään kuusi kertaa TV:n painon.

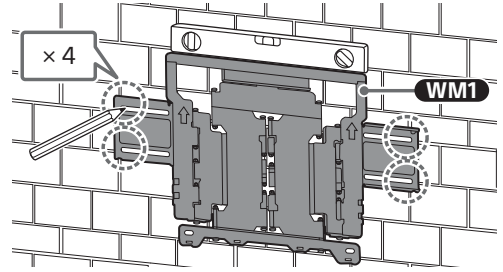
- Katso kohta "Mitä seinäasennuskiinnittimen seinälle asentamista varten" sivulla 17.
- Katso TV:n paino sen viiteoppaasta.

Huomautus

- Kun TV on asennettu seinälle, sen yläreuna on hieman eteenpäin kallellaan.
- Suosittelemme TV:n sijainnin tarkistamisen katseluympäristössä.



2 Aseta WM1 seinän mukaisesti ja tee neljä merkkiä.

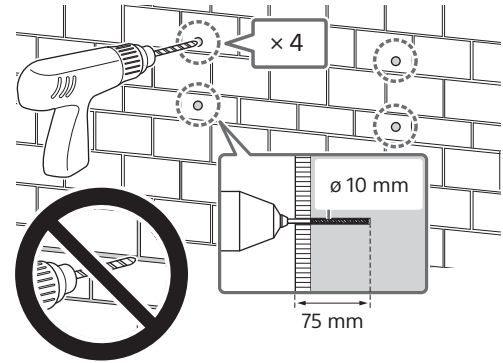


Huomautus

- Tarkista vatupassilla, että WM1 on suorassa.

3 Poraa aloitusreiät merkkien kohdalle.

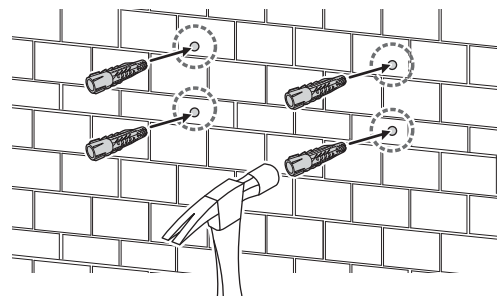
Varmista, että seinän kohta, johon reiät porataan, on tarpeeksi kestävä kannattelemaan vähintään kuusi kertaa TV:n painon.



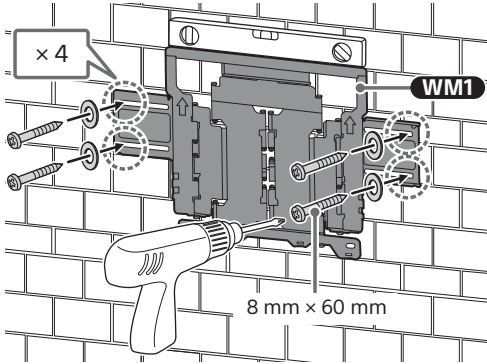
Huomautus

- Aloitusreiät on porattava 75 mm:n syvyyteen halkaisijaltaan 10 mm:n poranterällä.

4



- 5 Asenna **WM1** seinään sopivilla ruuveilla (ei sisälly toimitukseen) ja aluslevyillä (ei sisälly toimitukseen).



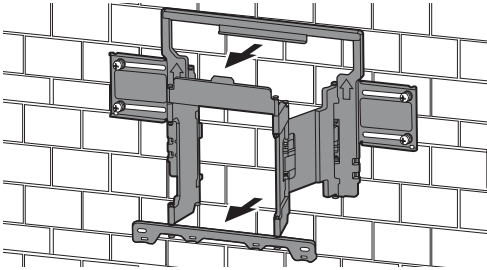
Huomautus

- Tarkista vatupassilla, että **WM1** on suorassa.

Varotoimet

- Älä ylikiristä puuruuvia (8 mm x 60 mm). Virheellinen kiristäminen voi heikentää puuruuvin (8 mm x 60 mm) pitovoimaa.

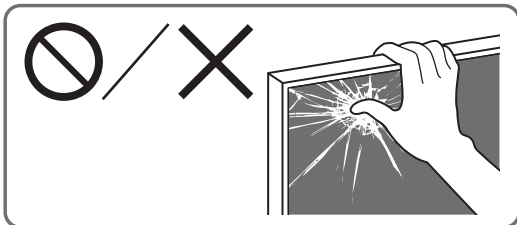
- 6 Vedä kiinnittimen varsi loppuun saakka.



TV:n asennuksen valmistelu

Huomautus

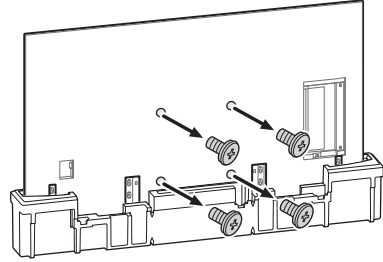
- Laita irrotetut ruuvit ja käyttämättömät osat talteen turvalliseen paikkaan, jossa ne ovat poissa lasten ulottuvilta.



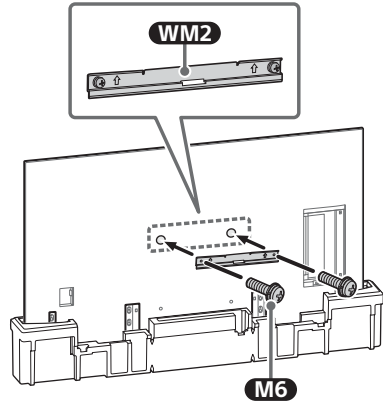
TV:n asennus seinälle pakkauksesta*1

*1 Vain tietyt alueet/maat/mallit.

- 1 Irrota ruuvit TV:n takaa.

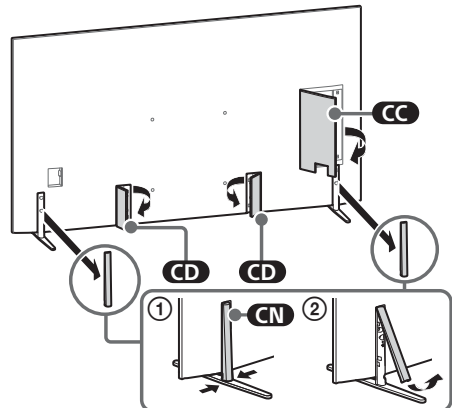


- 2 Kiinnitä **WM2** TV:hen **M6**-ruuveilla.

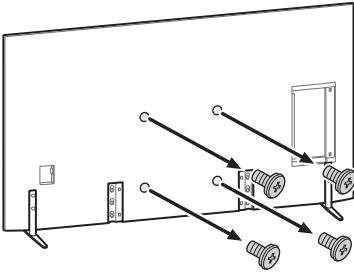


TV:n asennus seinälle pöytäjalustasta

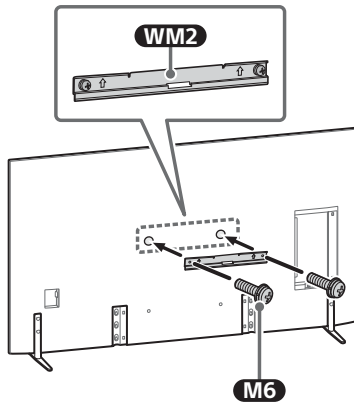
- 1 Irrota jalustan kannet ja liitinten kannet.



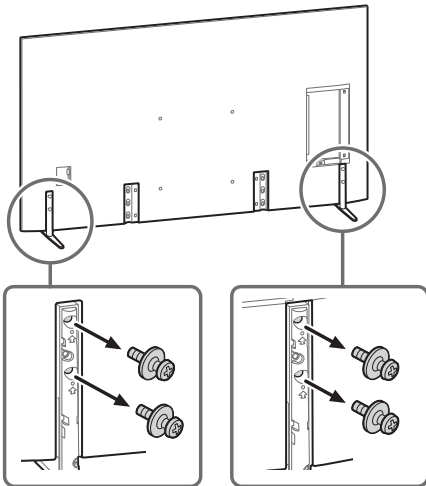
2 Irrota ruuvit TV:n takaa.



3 Kiinnitä WM2 TV:hen M6-ruuveilla.



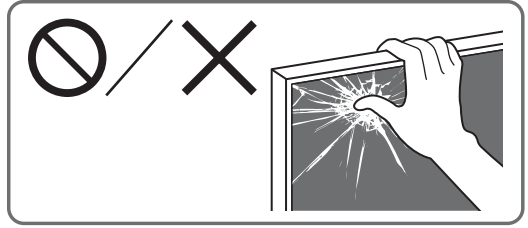
4 Irrota pöytäjalusta TV:stä.



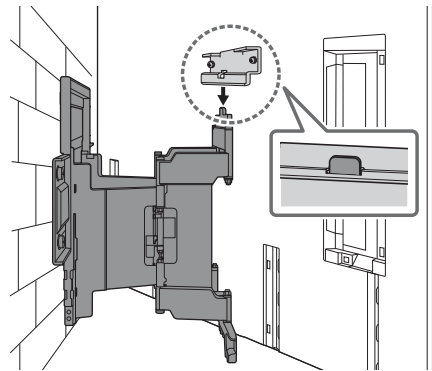
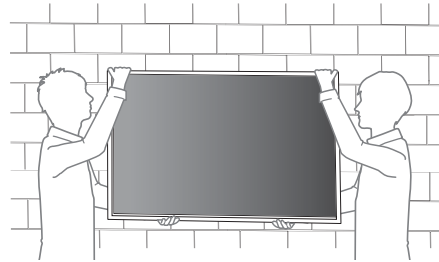
Huomautus

- Ole varovainen nostaessasi pöytäjalustasta irrotettua TV:tä, sillä pöytäjalusta voi kaatua ja aiheuttaa henkilövahingon.
- Ole varovainen irrottaessasi pöytäjalustaa TV:stä, jotta TV ei kaadu ja vahingoita sen alla olevaa pintaa.

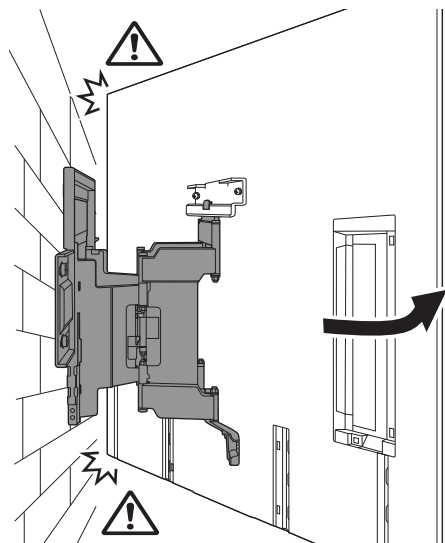
TV:n asennus seinään



1



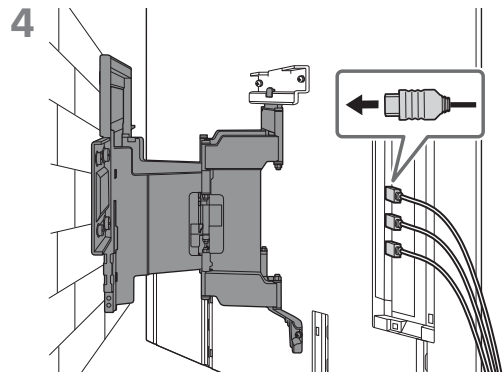
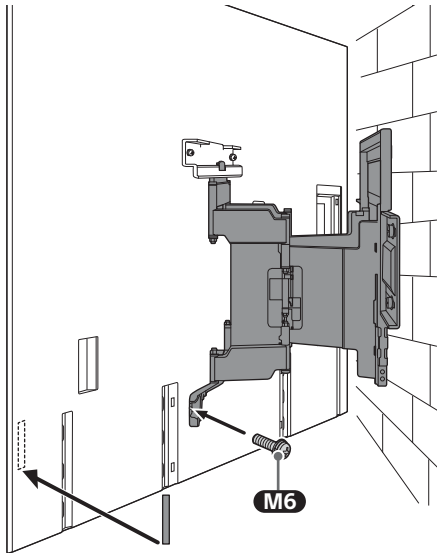
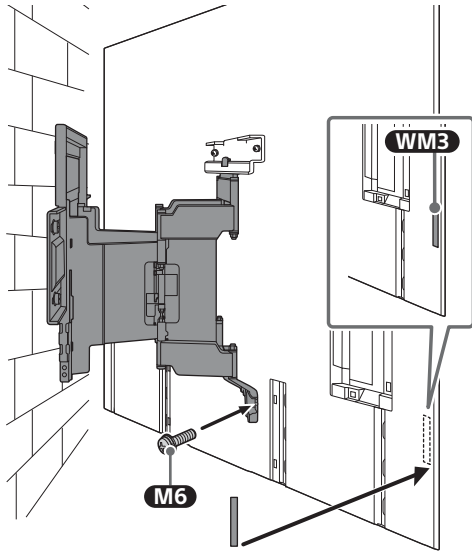
2



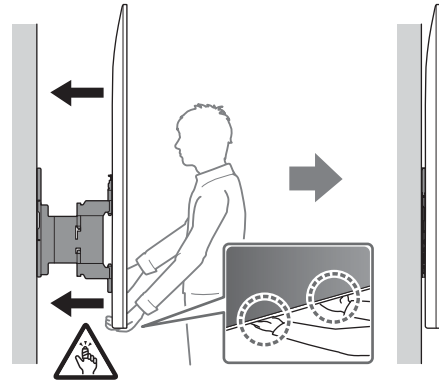
3 Kiinnitä seinäasennuskiinnittimen vasen ja oikea puoli ruuveilla **M6** ja kiinnitä **WM3**.

Huomautus

- Älä kiinnitä **WM3** -teippiä merkittyihin kohtiin.

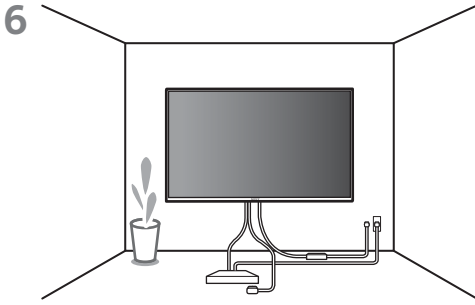


5 Kun siirrät TV:tä, pidä sitä tukevasti pohjasta.



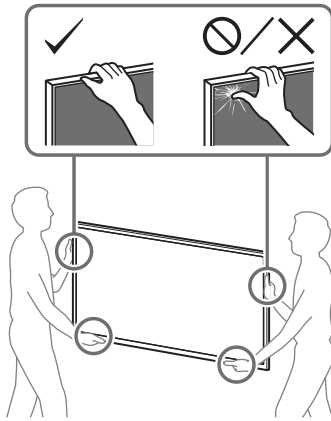
Huomautus

- TV:tä voi olla hankala saada lähelle seinää TV:hen liitettyjen johtojen tyyppin ja määrän mukaan. Kyseessä ei ole toimintahäiriö.



VAROITUS

- Suuren television siirtämiseen tarvitaan vähintään kaksi henkilöä (tai vähintään kolme henkilöä, jos television koko on yli 189,3 cm (75 tuumaa)) (paitsi Egypti). Suuren television siirtämiseen tarvitaan vähintään kaksi henkilöä (tai vähintään kolme henkilöä, jos television koko on yli 75 tuumaa (189,3 cm)) (vain Egypti).



Asennuksen tarkistaminen

Tarkista seuraavat kohdat.

- Johto ja kaapeli eivät ole kiertyneenä tai puristuksissa.

VAROITUS

- Virtajohdon jne. virheellinen sijoitus saattaa aiheuttaa tulipalon tai sähköiskun oikosulun vuoksi. Muista tarkistaa valmis asennus turvallisuuden vuoksi.

Muuta tietoa

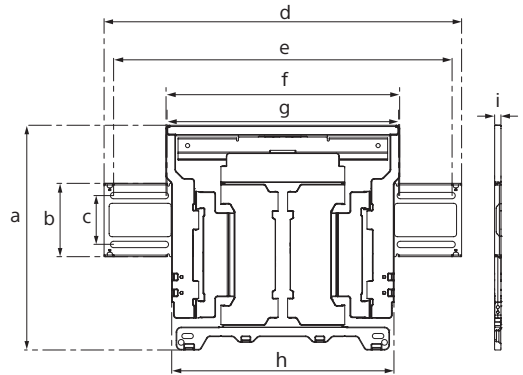
TV irrotetaan asennukseen nähden päinvastaisessa järjestyksessä.

VAROITUS

- Suuren television siirtämiseen tarvitaan vähintään kaksi henkilöä (tai vähintään kolme henkilöä, jos television koko on yli 189,3 cm (75 tuumaa)) (paitsi Egypti). Suuren television siirtämiseen tarvitaan vähintään kaksi henkilöä (tai vähintään kolme henkilöä, jos television koko on yli 75 tuumaa (189,3 cm)) (vain Egypti).

Tekniset tiedot

WM1



Mitat: (noin) [mm]

- a : 354
 b : 116
 c : 77
 d : 563
 e : 533
 f : 370
 g : 368
 h : 350
 i : 11

Paino (vain jalusta): (noin) [kg]

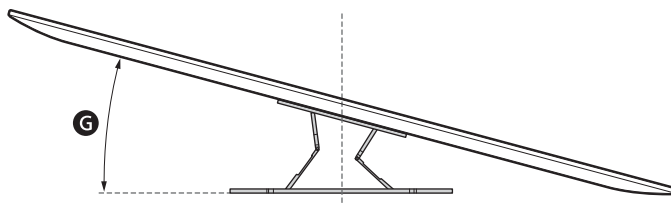
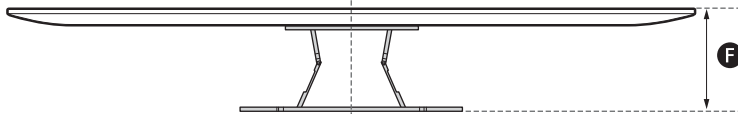
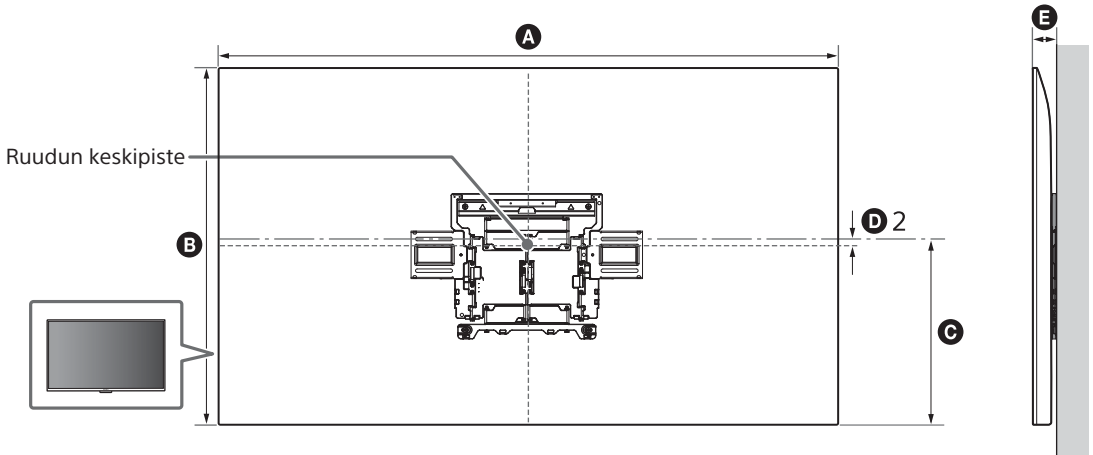
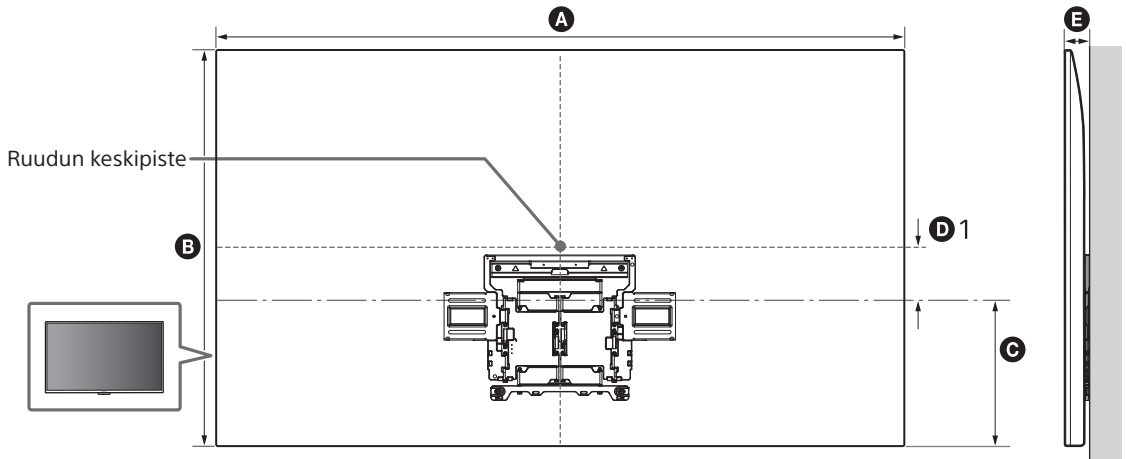
3,0

Rakennetta ja teknisiä ominaisuuksia voidaan muuttaa ilman ennakoilmoitusta.

Viitteet

Mitat seinäasennuskiinnittimen seinälle asentamista varten

Taulukon arvot voivat vaihdella hieman asennuksen mukaan.



(mm)

Mallinimi	A	B	C	D 1	D 2	E	F ^{*1}	G ^{*1} (°)
K-77XR8x	1 713	984	362	139	-	48	251,4	12
K-65XR8x	1 442	829	362	57	-	48	250,8	17
K-55XR8x	1 223	706	362	-	3	48	250,8	19

*1 (Noin)

Installasjonsveiledning for bruk med Sony veggmonteringsbrakett (SU-WL850)

Støttede modeller*1:

*1 I de faktiske modellnavnene, indikerer "x"/"xx" tall og/eller bokstaver som gjelder spesielt for hver modell.

K-77XR8x / 65XR8x / 55XR8x

Til kunder

Av hensyn til produktets beskyttelse og sikkerheten, anbefaler Sony sterkt at TV-en installeres av Sony-forhandlere eller lisensierte entreprenører. Ikke forsøk å installere den selv.

Til Sony-forhandlere og -leverandører

Legg spesielt merke til sikkerheten under installasjonen, periodisk vedlikehold og ved undersøkelse av dette produktet.

Tilstrekkelig ekspertise er nødvendig for å installere dette produktet, spesielt for å fastslå at veggen kan klare TV-ens vekt. Overlat monteringen av dette produktet til Sony-forhandlere eller lisensierte entreprenører, og vær spesielt oppmerksom på sikkerheten under installasjon. Sony er ikke ansvarlig for eventuell skade eller personskade forårsaket av feil behandling eller installasjon.

Av sikkerhetsmessige årsaker og for korrekt installasjon må bruksanvisningene for veggmonteringsbraketten, innstillingsveiledningen og retningslinjene i denne håndboken følges.

Veggmonteringsbrakett

Om sikkerheten

Takk for at du kjøpte dette produktet.

Til kunder

Montere TV-en på veggen



ADVARSEL

PROFESJONELL INSTALLASJON KREVES

Dette produktet bør kun installeres av en profesjonell installatør som er opplært til å fastslå styrken til veggen som skal holde oppe TV-ens vekt. Hvis TV-en ikke er riktig sikret under installasjon, kan den falle ned og føre til alvorlig personskade. Sony er ikke ansvarlig for skade eller personskade forårsaket av feil håndtering eller installasjon, eller installasjon av noe annet enn det spesifiserte produktet. Dine forbrukerrettigheter (hvis noen) påvirkes ikke.

Til Sony-forhandlere

Tilstrekkelig ekspertise er nødvendig for å montere dette produktet. Les nøye gjennom denne bruksanvisningen for å gjøre installasjonen på en trygg måte. Sony er ikke ansvarlig for skader eller personskader som oppstår som følge av feil håndtering eller installasjon. Gi denne håndboken til kunden etter installasjon.

Denne bruksanvisningen viser korrekt håndtering av produktet og viktige forholdsregler som er nødvendige for å forhindre uhell. Det er ditt ansvar å lese, grundig forstå og følge alle anvisninger i denne bruksanvisningen. Manglende evne til å gjøre dette kan føre til alvorlig personskade eller skade på eiendom, og kan annullere garantien. Ha denne håndboken tilgjengelig for fremtidig referanse.

Sonys produkter er utviklet med fokus på sikkerheten. Hvis produktene brukes feil, kan det derimot føle til alvorlig personskade på grunn av brann, elektrisk støt, produktet velter eller faller ned. Overhold forholdsreglene for sikkerhet for å forhindre slike uhell.

FORSIKTIG

Spesifiserte produkter

Denne veggmonteringsbraketten er utviklet for bruk med de oppgitte TV-produktene. For TV-er, se referanseveiledningene til TV-ene for å bekrefte at veggmonteringsbraketten kan brukes.

Til kunder

ADVARSEL

Hvis følgende forholdsregler ikke følges, kan alvorlig personskade eller dødsfall oppstå gjennom brann, elektrisk støt eller produktet kan falle ned.

Overlat installasjonen til lisensierte entreprenører og hold små barn unna under installasjonen.

Hvis veggmonteringsbraketten eller TV-en ikke installeres riktig, kan følgende uhell oppstå. Sørg for at lisensierte entreprenører utfører installasjonen.

- TV-en kan falle ned og forårsake en alvorlig personskade som et blåmerke eller et brudd.
- Hvis veggen som veggmonteringsbraketten installeres på er ustabil, ujevn eller ikke vinkelrett til gulvet, kan enheten falle ned og forårsake personskade eller skade på eiendom. Veggen bør kun støtte en vekt på minst seks ganger TV-ens vekt. (Se TV-ens referanseveiledning for vekten til TV-en.)
- Hvis veggmonteringsbraketten ikke installeres solid nok på veggen, kan enheten falle ned og forårsake personskade eller skade på eiendom.

Overlat flytting eller demontering av TV-en til lisensierte entreprenører.

Hvis en annen person enn lisensierte entreprenører transporterer eller demonterer TV-en, kan den falle ned og forårsake personskade eller skade på eiendom. Et stort TV-apparat må bæres av to eller flere personer (tre eller flere personer for TV på 189,3 cm (75 tommer) og over) (unntatt Egypt).

Et stort TV-apparat må bæres av to eller flere personer (tre eller flere personer for TV på 75 tommer (189,3 cm) og over) (kun Egypt).

Ikke fjern skruer e.l. etter montering av TV-en.

Hvis du gjør dette, kan TV-en falle ned og forårsake personskade eller skade på eiendom.

Ikke gjør endringer på delene til veggmonteringsbraketten.

Hvis du gjør dette, kan veggmonteringsbraketten falle ned og forårsake personskade eller skade på eiendom.

Ikke monter noe annet utstyr enn det spesifiserte produktet.

Denne veggmonteringsbraketten er utviklet for bruk med det spesifiserte produktet. Hvis du monterer annet utstyr enn det som er spesifisert, kan det falle ned eller ødelegges, og forårsake personskade eller skade på eiendom.

Ikke påfør noen annen vekt enn den fra TV-en på veggmonteringsbraketten. Ikke rist TV-en til venstre/høyre eller opp/ned.

Hvis du gjør dette, kan TV-en falle ned og forårsake personskade eller skade på eiendom.

Ikke len deg på eller heng fra TV-en.

Ikke len deg på eller heng fra TV-en da den kan falle ned på deg og forårsake personskade.

FORSIKTIG

Hvis følgende forholdsregler ikke følges, kan personskade eller skade på eiendom oppstå.

- Vær forsiktig så du ikke klemmer fingrene når du håndterer veggmonteringsbraketten eller dreier TV-en.
- Vær forsiktig mens du dreier TV-en så du ikke treffer noen som står i nærheten.
- Oppbevar ubrukte deler på en trygg plass for fremtidig bruk. Hold dem unna barn.

Ikke håndter produktet med ekstrem kraft under rengjøring eller vedlikehold.

Ikke bruk ekstrem kraft på oversiden på TV-en. Hvis du gjør dette, kan TV-en falle ned og forårsake personskade eller skade på eiendom.

Dette produktet må ikke plasseres i nærheten av medisinske enheter.

Dette produktet (inkludert tilbehør) inneholder magneter som kan påvirke pacemakere, programmerbare shuntventiler for behandling av hydrocefalus eller andre medisinske enheter. Dette produktet må ikke plasseres i nærheten av personer som bruker slike medisinske enheter. Hvis du bruker slike medisinske enheter, må du høre med legen din før du bruker dette produktet.

Oppbevares utilgjengelig for barn eller personer som krever tilsyn.

Dette produktet (inkludert tilbehør) inneholder magneter. Svelging av magneter kan føre til alvorlige skader, for eksempel kvelning eller tarmskader. Hvis noen har svelget én eller flere magneter, må du ta øyeblikkelig kontakt med lege.

NO

Forholdsregler

- Hvis du bruker TV-en montert på veggmonteringsbraketten over lang tid, kan vegg bak eller over TV-en bli misfarget eller tapeten kan løsne, avhengig av veggens materiale.
- Hvis veggmonteringsbraketten er fjernet etter at den er montert på vegg, står skruhellene igjen.
- Ikke bruk veggmonteringsbraketten på et sted hvor den er utsatt for mekaniske vibrasjoner.

Installere veggmonteringsbraketten

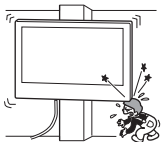
Til Sony-forhandlere

ADVARSEL

Følgende instruksjoner er bare for Sony-forhandlere. Les sikkerhetsforholdsreglene beskrevet under og legg spesielt merke til sikkerheten under installasjon, vedlikehold og kontroll av dette produktet.

Ikke monter veggmonteringsbraketten på veggoverflater hvor hjørnene eller sidene av TV-en stikker frem fra veggoverflaten.

Ikke monter veggmonteringsbraketten på veggoverflater som en søyle hvor hjørnene eller sidene av TV-en stikker frem fra veggoverflaten. Hvis en person eller en gjenstand treffer det utstikkende hjørnet eller siden på TV-en, kan det føre til personskade eller skade på eiendom.

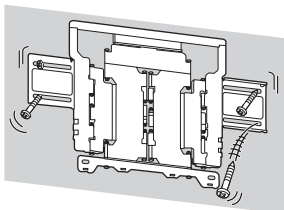


Ikke installer TV-en over eller under et klimaanlegg.

Hvis TV-en utsettes for vannlekkasjer eller luftstrøm fra et klimaanlegg over lang tid, kan dette forårsake brann, elektrisk støt eller en feilfunksjon på TV-en.

Sørg for at du monterer veggmonteringsbraketten sikkert på vegg etter anvisningene i denne bruksanvisningen.

Hvis noen av skruene er løse eller faller ut, kan veggmonteringsbraketten falle ned og forårsake personskade eller skade på eiendom. Pass på å bruke skruer som er egnet for veggmaterialet, og installer enheten sikkert med fire skruer med en diameter på 8 mm (eller tilsvarende).



Sørg for at du bruker de inkluderte skruene og tilkoblingsdelene på riktig måte etter anvisningene som er gitt i denne bruksanvisningen. Dersom du bruker erstattede deler, kan TV-en falle ned og forårsake personskade eller skade på TV-en.

Sørg for at du monterer braketten riktig etter anvisninger forklart i denne bruksanvisningen.

Dersom noen av skruene er løse eller faller ut, kan TV-en falle ned og forårsake personskade eller skade på TV-en.

Sørg for at du strammer skruene godt til i riktig posisjon.

Hvis du ikke vil gjøre dette, kan TV-en falle ned og forårsake personskade eller skade på TV-en.

Vær forsiktig så TV-en ikke utsettes for støt under installasjon.

Hvis TV-en utsettes for støt, kan den falle ned eller ødelegges. Dette kan forårsake personskade.

Sørg for at du installerer TV-en på en vegg som er både vinkelrett og flat.

Hvis du ikke gjør dette, kan TV-en falle ned og forårsake personskade.

Etter riktig installasjon av TV-en, må du feste kablene på riktig måte.

Hvis personer eller gjenstander blir viklet inn i kablene, kan dette føre til personskade eller skade på TV-en.

Ikke la strømledningen eller forbindelsesledningen komme i klem.

Hvis strømledningen eller forbindelsesledningen blir klemt mellom enheten og vegg, eller blir bøyd eller vridd med makt, kan de interne lederne bli eksponert og forårsake en kortslutning eller et elektrisk brudd. Dette kan forårsake brann eller elektrisk støt.



Skruene som er nødvendige for å sikre veggmonteringsbraketten til vegg følger ikke med.

Bruk skruer som passer for veggmaterialet og strukturen når du monterer veggmonteringsbraketten.

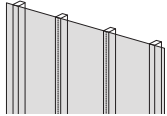
Før du kommer i gang

- Illustrasjonene for TV-en vist i denne håndboken er eksempler brukt for å gi tydelige forklaringer av operasjonene. Derfor kan illustrasjonene se annerledes ut enn din faktiske TV.

Hva er veggen laget av?

Kontroller først type vegg hvor TV-en skal monteres.

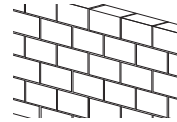
Gipsplate med stendere



Forholdsregler

- Maksimal tykkelse på gipsplate: 16 mm.
- Kontroller at den interne trestiftens størrelse er minst 51 mm × 102 mm for vanlig eller 38 mm × 89 mm for nominell.
- La det være minst 406 mm horisontal klarering mellom festelementer.

Solid betong eller betongblokk



Forholdsregler

- Monter veggmonteringsbraketten direkte på veggen av solid betong.
- Kontroller at tykkelsen på veggen av solid betong er minst 203 mm.
- Kontroller at størrelsen på hver betongblokk er minst 203 mm × 203 mm × 406 mm.

Kontrollere delene

Inkludert med SU-WL850



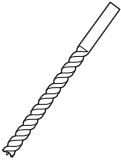
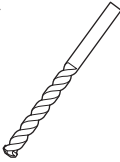
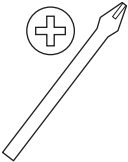
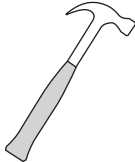
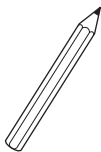

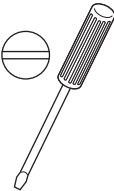




- Bekreft at alle deler følger med.

WM1 (x1) 	WM2 (x1) 	WM3 (x4)
M6 (x4) 	WT1 (x6) 	

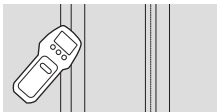
NO

Forberede installasjonen

- Sørg for å ha TV-ens referanseveiledning og innstillingsveiledningen tilgjengelig før installasjonen.
- Bekreft posisjonen TV-en skal installeres i.
- Gjør klar fire skruer med en diameter på 8 mm og fire skiver (medfølger ikke). Velg skruer som passer for materialet i veggen.
- Klargjør følgende verktøy:

*1 		 5,5 mm	 10 mm	
*2 		 1,5 N·m {15 kgf·cm}	*3  1,5 N·m {15 kgf·cm}	
	*2  (x4)	*4  (x4) 8 mm × 60 mm	*4  (x4)	

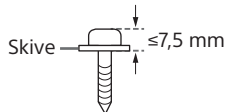
*1 Kun for gipsplate med stifter



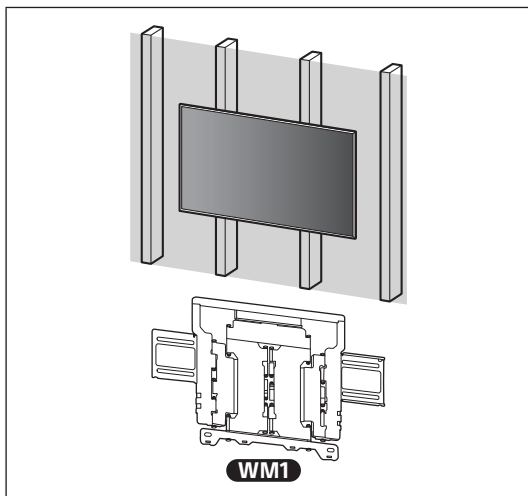
*2 Kun for solid betong eller betongblokk

*3 Avhengig av modeller

*4 Vær forsiktig når du velger skruer og skiver



A Fest veggmonteringsbraketten til gipsplatevegg med stendere



Installere veggmonteringsbraketten på veggen

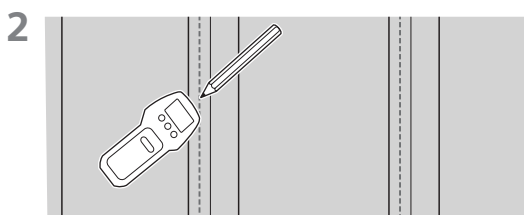
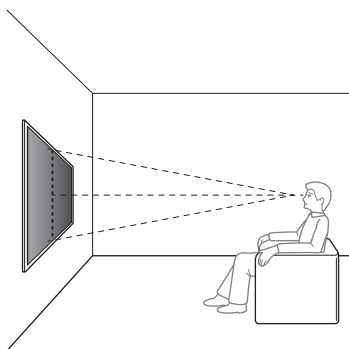
1 Bestemme installasjonsstedet.

Sørg for at veggen har nok plass for TV-en og at den kan støtte en vekt på minst seks ganger TV-ens.

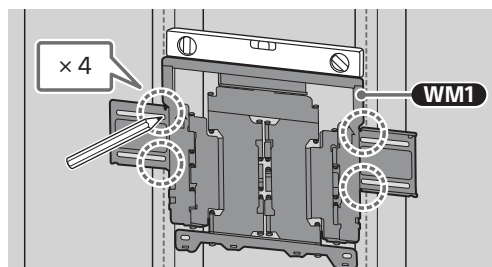
- Se "Måling for montering av veggmonteringsbrakett på veggen" på side 17.
- Se TV-ens referanseveiledning for TV-ens vekt.

Merknad

- Når TV-en er installert på veggen, lener øvre side av TV-en noe fremover.
- Vi anbefaler at du sjekker posisjonen til TV-en i visningsmiljøet.



3 Sett WM1 på linje på veggen og sett fire merker på linje med stiftene.

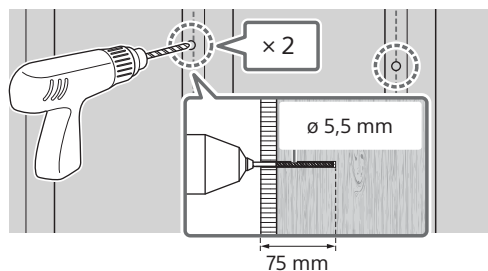


Merknad

- Bruk et vater til å sjekke om WM1 er plan.

4 Lag de øvre prøvehullene på merkene med en boremaskin.

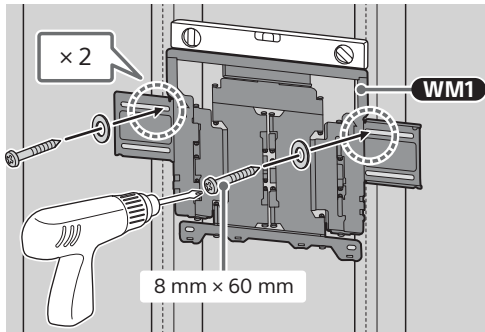
Forsikre deg om at plasseringen på veggen for å bore hullene er sterk nok til å støtte en vekt på minst seks ganger vekten til TV-en.



Merknad

- Prøvehullene må bores til en dybde på 75 mm med en drillbit på 5,5 mm diameter.

- 5 Monter **WM1** på veggen med egnede skruer (medfølger ikke) og skiver (medfølger ikke).



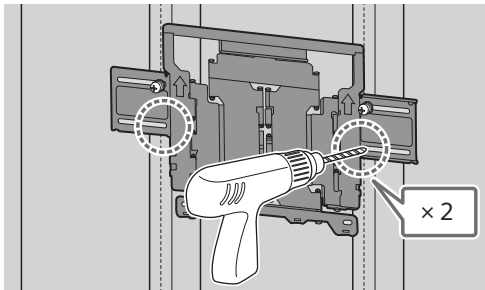
Merknad

- Bruk et vater til å sjekke om **WM1** er plan.

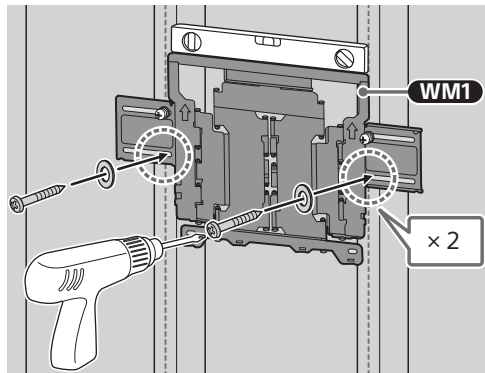
Forholdsregel

- Ikke overstram treskruen (8 mm x 60 mm). Feil tilstramning kan redusere holdekraften til treskruen (8 mm x 60 mm).

- 6 Lag de nedre prøvehullene på merkene med en boremaskin. (Se trinn 4 for instruks om drilling.)



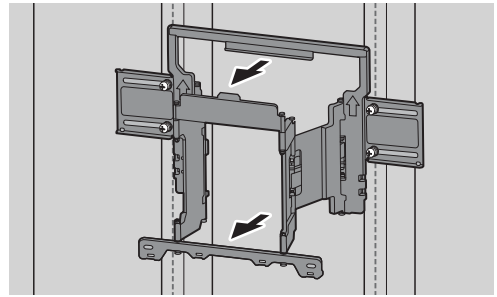
- 7 Sett de egnede skruene og skivene i hullene.



Merknad

- Bruk et vater til å sjekke om **WM1** er plan.

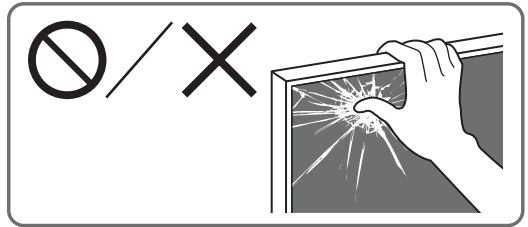
- 8 Dra armen på braketten helt ut.



Forberede installasjonen av TV-en

Merknad

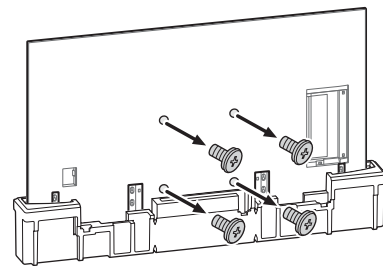
- Sørg for at ubrukte deler og skruene du har fjernet blir oppbevart på en trygg plass, utenfor barns rekkevidde.



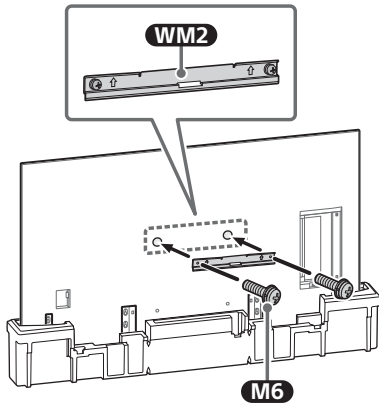
Monter TV-en på veggen fra emballasjen*1

*1 Kun for begrenset region/land/modell.

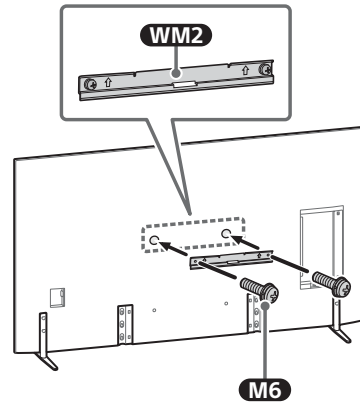
- 1 Fjern skruene fra baksiden av TV-en.



2 Fest **WM2** til TV-en med **M6**.

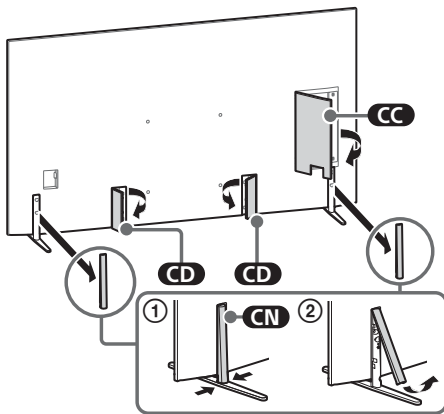


3 Fest **WM2** til TV-en med **M6**.

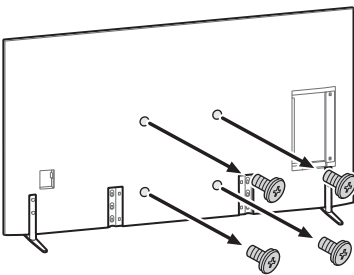


Montere TV-en på veggen fra bordstativet

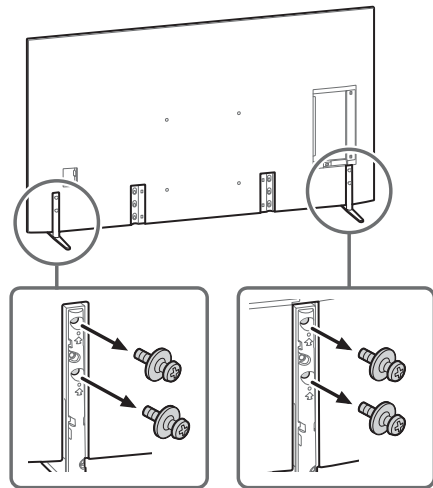
1 Fjern stativdekslene og terminaldekslene.



2 Fjern skruene fra baksiden av TV-en.



4 Demonter bordstativet fra TV-en.

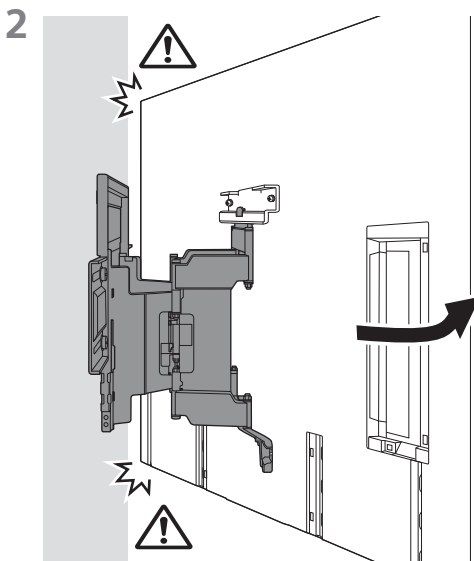
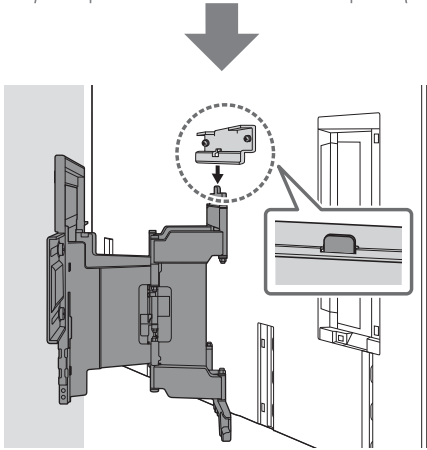
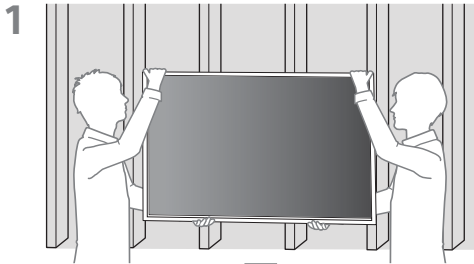
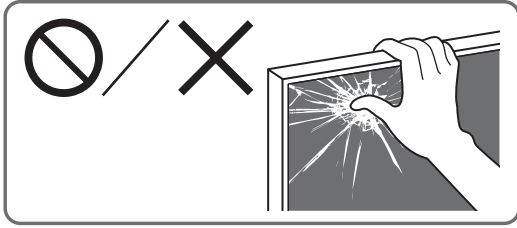


Merknad

- Vær forsiktig når TV-en løftes, da bordstativet er løsnet, bordstativet kan vippe over og medføre personskafer.
- Vær forsiktig når bordstativet fjernes fra TV-en for å hindre at det faller ned og skader overflaten på TV-en som det er festet til.

NO

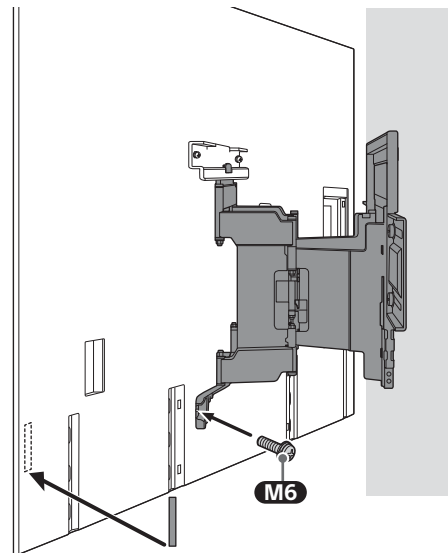
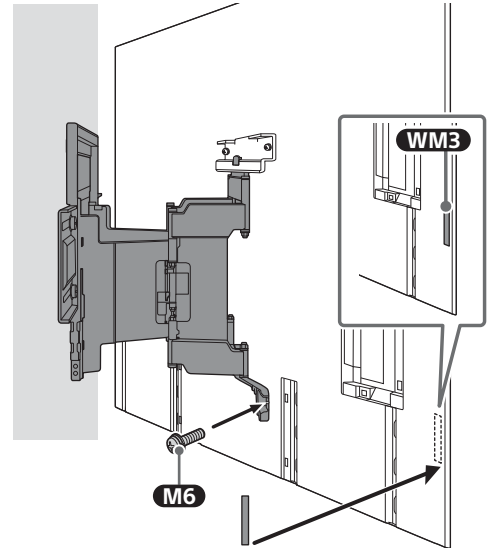
Installere TV-en på vegg

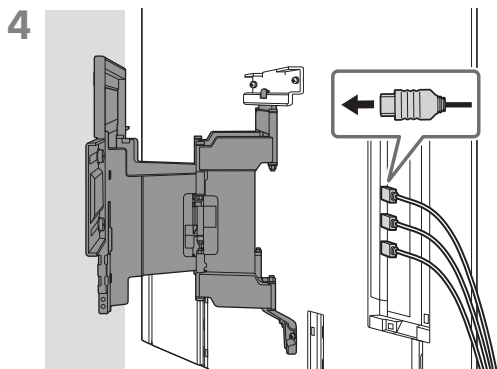


3 Skru inn venstre og høyre side av veggmonteringsbraketten med **M6** og fest **WM3**.

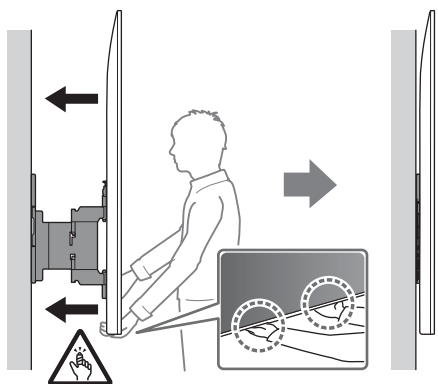
Merknad

- Ikke fest **WM3** på etikettene.



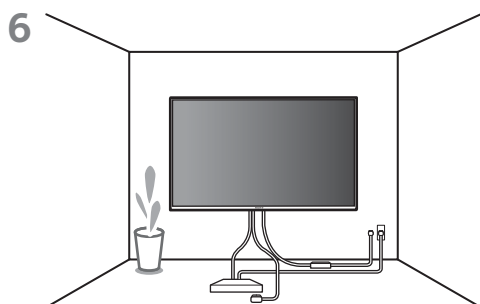


5 Hold TV-en godt på bunnen når du flytter den.



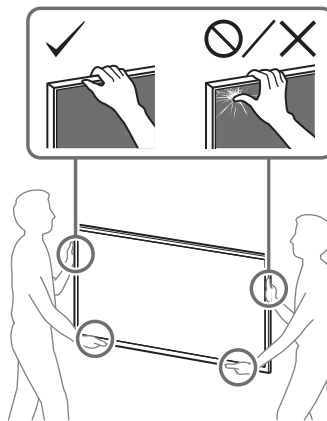
Merknad

- Det er ikke sikkert at TV-en beveger seg nær veggen, avhengig av type og antall kabler som er tilkoblet. Dette er ikke en feil.



ADVARSEL

- Et stort TV-apparat må bæres av to eller flere personer (tre eller flere personer for TV på 189,3 cm (75 tommer) og over) (unntatt Egypt).
- Et stort TV-apparat må bæres av to eller flere personer (tre eller flere personer for TV på 75 tommer (189,3 cm) og over) (kun Egypt).



Bekreft fullføringen av installasjonen

Kontroller følgende punkter.

- Ledningen og kablen er ikke vridd eller klemt.

ADVARSEL

- Feil plassering av strømledningen, e.l. kan forårsake brann eller elektrisk støt på grunn av en kortslutning. Sørg for at installasjonen fullføres på riktig måte.

Annen informasjon

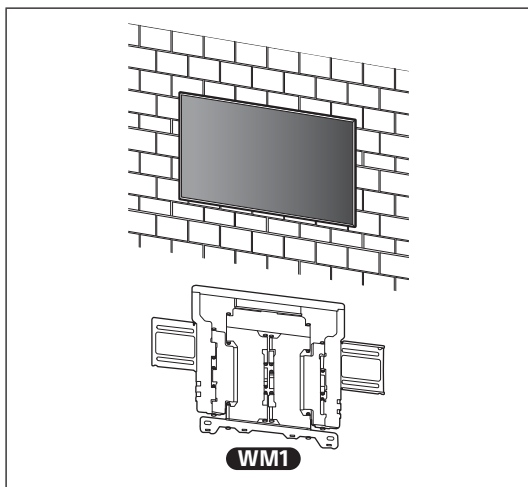
Når du fjerner TV-en, utfører du installasjonen i motsatt rekkefølge.

ADVARSEL

- Et stort TV-apparat må bæres av to eller flere personer (tre eller flere personer for TV på 189,3 cm (75 tommer) og over) (unntatt Egypt).
- Et stort TV-apparat må bæres av to eller flere personer (tre eller flere personer for TV på 75 tommer (189,3 cm) og over) (kun Egypt).

NO

B Feste veggmonteringsbraketten til den solide betongen eller betongblokken



Installere veggmonteringsbraketten på veggen

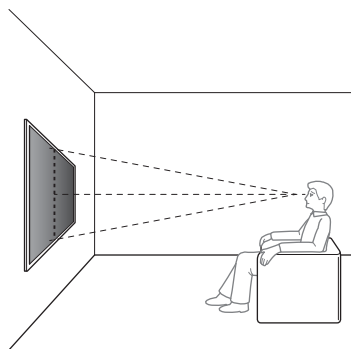
1 Bestemme installasjonsstedet.

Sørg for at veggen har nok plass for TV-en og at den kan støtte en vekt på minst seks ganger TV-ens.

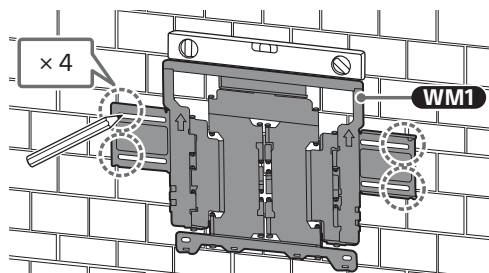
- Se "Måling for montering av veggmonteringsbrakett på veggen" på side 17.
- Se TV-ens referanseveiledning for TV-ens vekt.

Merknad

- Når TV-en er installert på veggen, lener øvre side av TV-en noe fremover.
- Vi anbefaler at du sjekker posisjonen til TV-en i visningsmiljøet.



2 Sett WM1 på linje på veggen og sett fire merker.

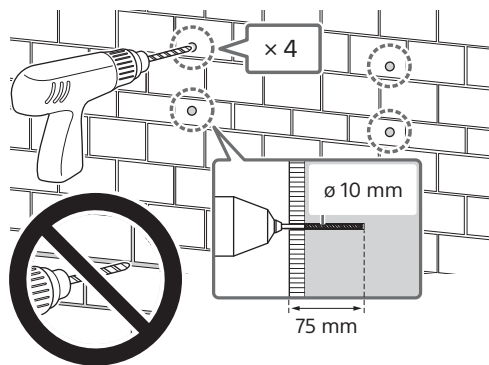


Merknad

- Bruk et vater til å sjekke om WM1 er plan.

3 Drill ledehull på merkene.

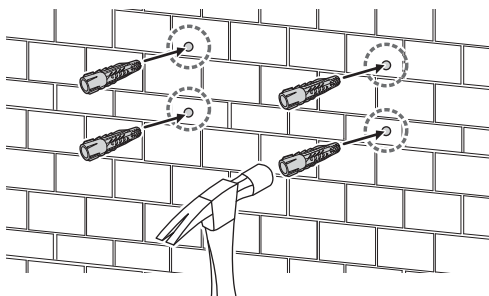
Forsikre deg om at plasseringen på veggen for å bore hullene er sterk nok til å støtte en vekt på minst seks ganger vekten til TV-en.



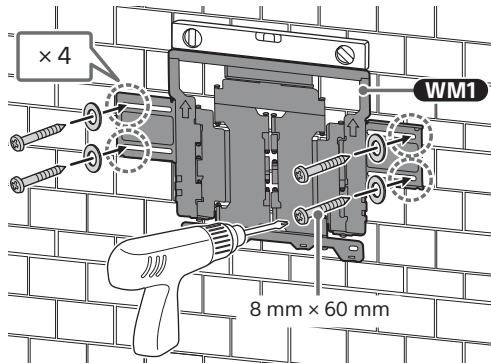
Merknad

- Prøvehullene må bores til en dybde på 75 mm med en drillbit på 10 mm diameter.

4



- 5 Monter **WM1** på veggen med egnede skruer (medfølger ikke) og skiver (medfølger ikke).



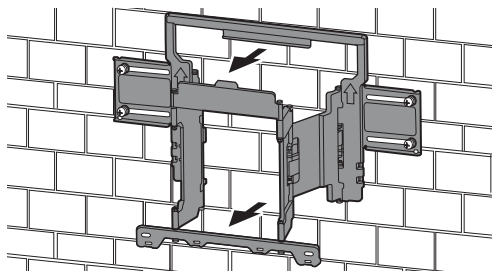
Merknad

- Bruk et vater til å sjekke om **WM1** er plan.

Forholdsregel

- Ikke overstram treskruen (8 mm x 60 mm). Feil tilstramming kan redusere holdekraften til treskruen (8 mm x 60 mm).

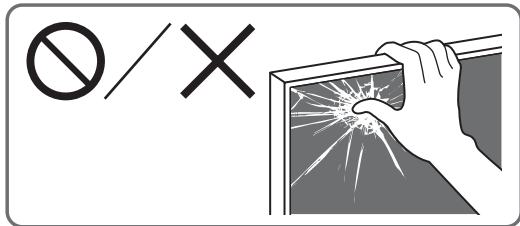
- 6 Dra armen på braketten helt ut.



Forberede installasjonen av TV-en

Merknad

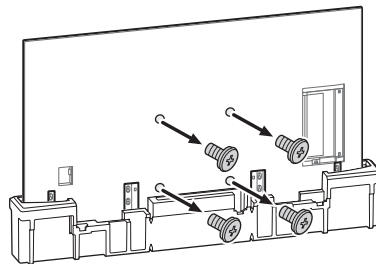
- Sørg for at ubrukte deler og skruene du har fjernet blir oppbevart på en trygg plass, utenfor barns rekkevidde.



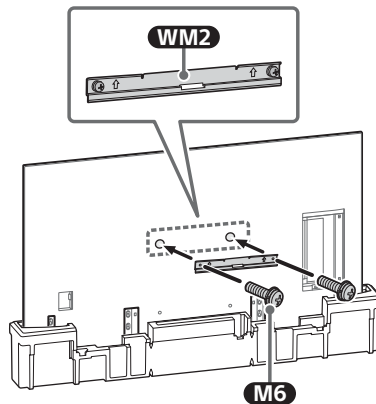
Montere TV-en på veggen fra emballasjen*1

*1 Kun for begrenset region/land/modell.

- 1 Fjern skruene fra baksiden av TV-en.

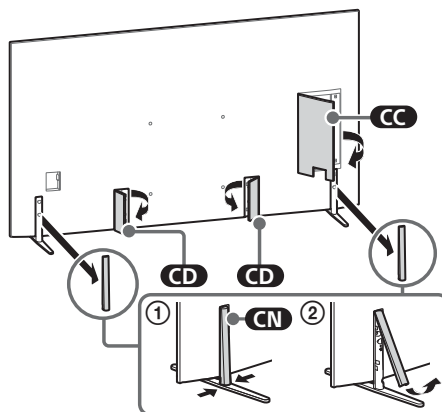


- 2 Fest **WM2** til TV-en med **M6**.



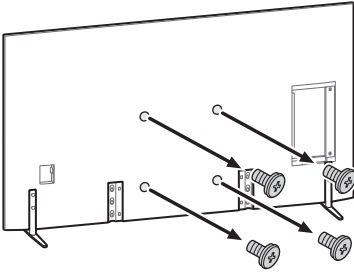
Montere TV-en på veggen fra bordstativet

- 1 Fjern stativdekslene og terminaldekslene.

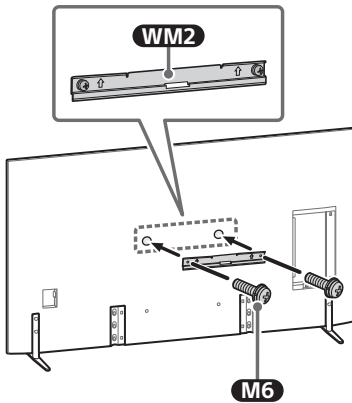


NO

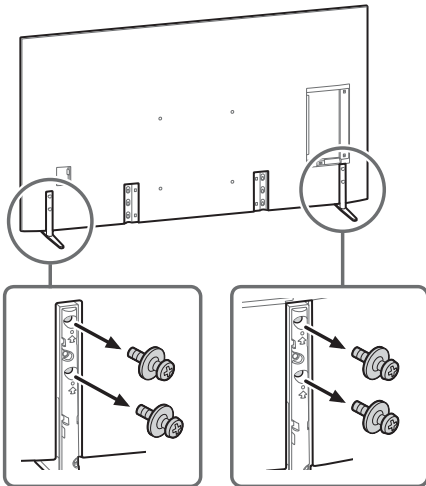
2 Fjern skruene fra baksiden av TV-en.



3 Fest WM2 til TV-en med M6.



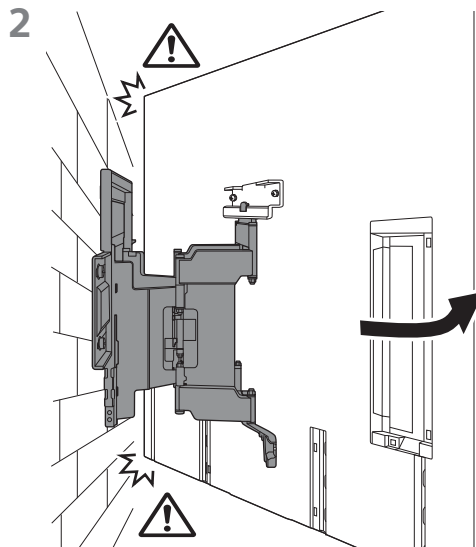
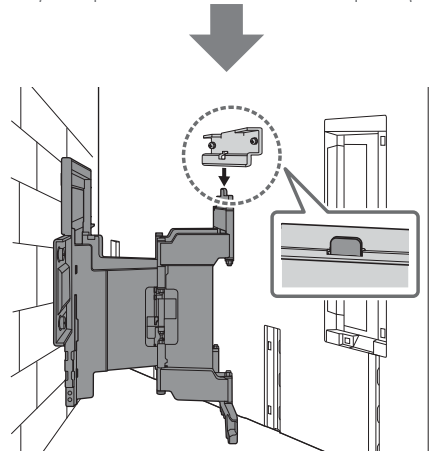
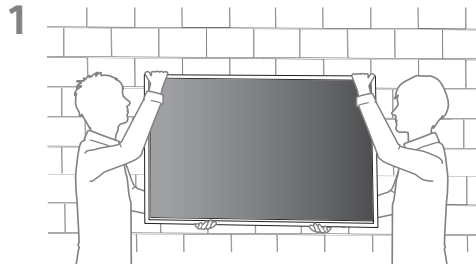
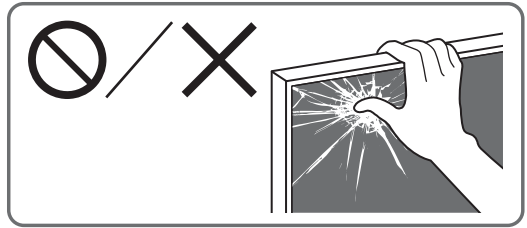
4 Demonter bordstativet fra TV-en.



Merknad

- Vær forsiktig når TV-en løftes, da bordstativet er løsnet, bordstativet kan vippe over og medføre personskafer.
- Vær forsiktig når bordstativet fjernes fra TV-en for å hindre at det faller ned og skader overflaten på TV-en som det er festet til.

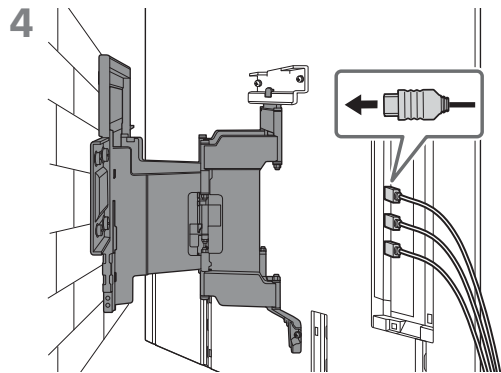
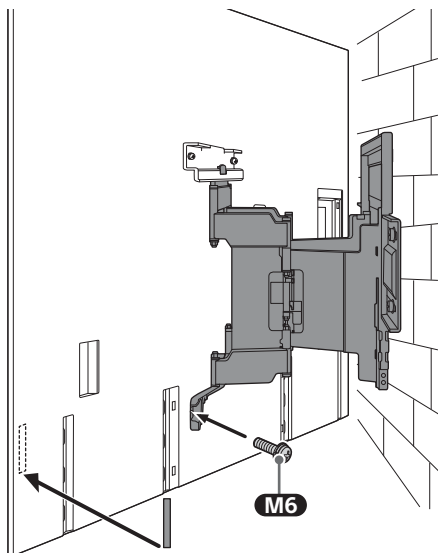
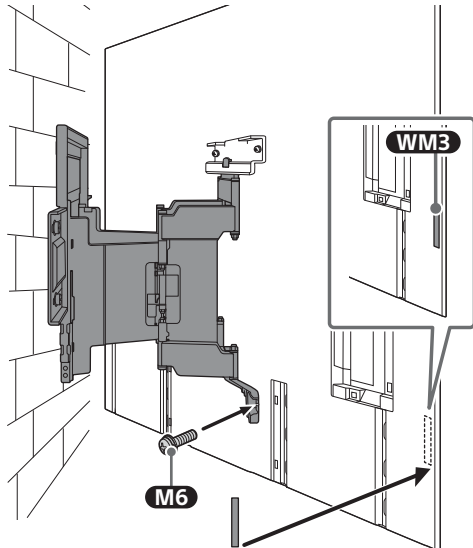
Installere TV-en på vegg



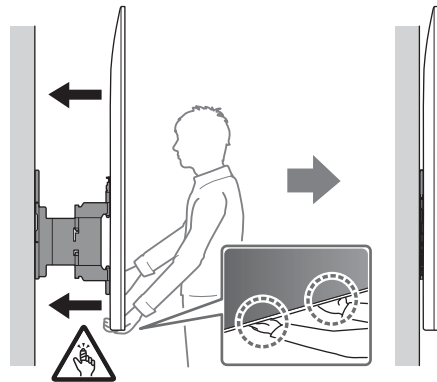
3 Skru inn venstre og høyre side av veggmonteringsbraketten med **M6** og fest **WM3**.

Merknad

- Ikke fest **WM3** på etikettene.

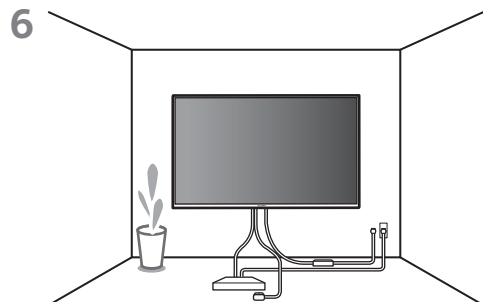


5 Hold TV-en godt på bunnen når du flytter den.



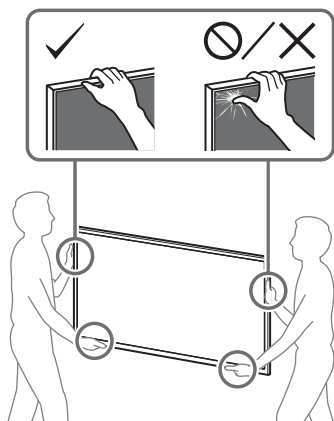
Merknad

- Det er ikke sikkert at TV-en beveger seg nær veggen, avhengig av type og antall kabler som er tilkoblet. Dette er ikke en feil.



ADVARSEL

- Et stort TV-apparat må bæres av to eller flere personer (tre eller flere personer for TV på 189,3 cm (75 tommer) og over) (unntatt Egypt).
- Et stort TV-apparat må bæres av to eller flere personer (tre eller flere personer for TV på 75 tommer (189,3 cm) og over) (kun Egypt).



Bekreft fullføringen av installasjonen

Kontroller følgende punkter.

- Ledningen og kabelen er ikke vridd eller klem.

ADVARSEL

- Feil plassering av strømledningen, e.l. kan forårsake brann eller elektrisk støt på grunn av en kortslutning. Sørg for at installasjonen fullføres på riktig måte.

Annen informasjon

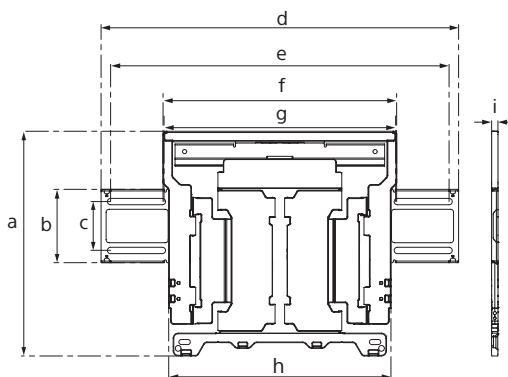
Når du fjerner TV-en, utfører du installasjonen i motsatt rekkefølge.

ADVARSEL

- Et stort TV-apparat må bæres av to eller flere personer (tre eller flere personer for TV på 189,3 cm (75 tommer) og over) (unntatt Egypt).
Et stort TV-apparat må bæres av to eller flere personer (tre eller flere personer for TV på 75 tommer (189,3 cm) og over) (kun Egypt).

Spesifikasjoner

WM1



Mål: (Ca.) [mm]

a : 354
b : 116
c : 77
d : 563
e : 533
f : 370
g : 368
h : 350
i : 11

Vekt (kun sokkel): (Ca.) [kg]

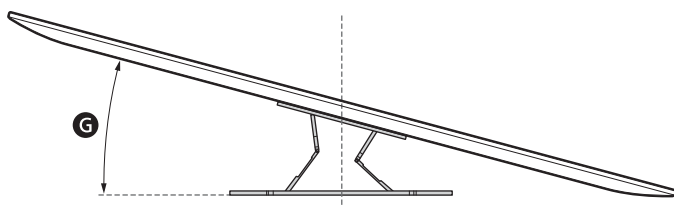
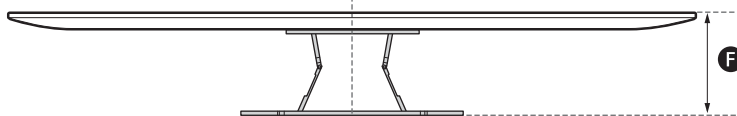
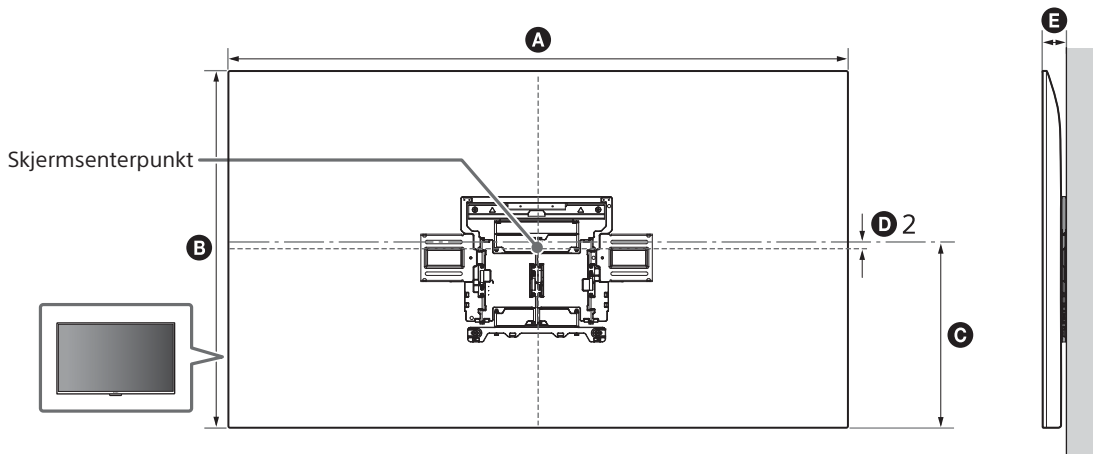
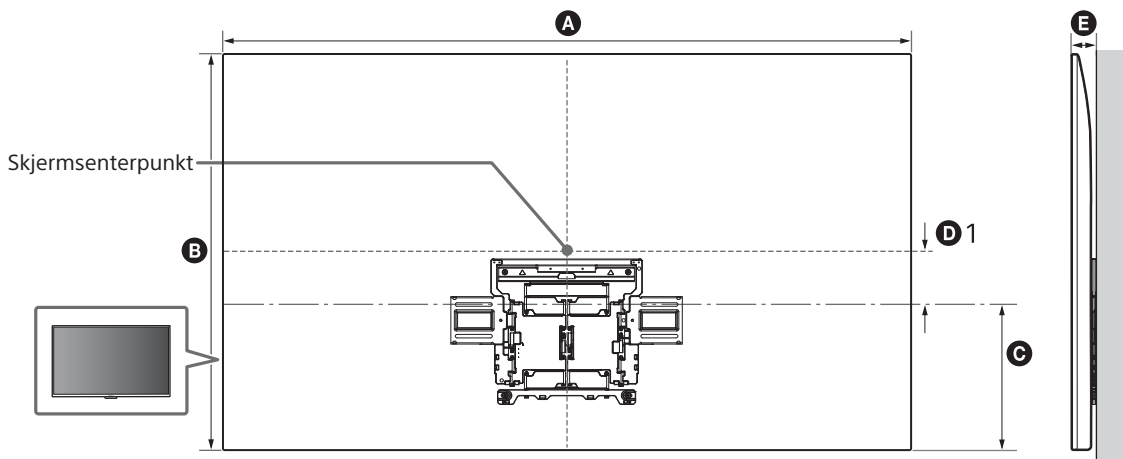
3,0

Design og spesifikasjoner kan endres uten forvarsel.

Referanser

Måling for montering av veggmonteringsbrakett på veggen

Tallene i tabellen kan variere noe avhengig av installasjonen.



NO

(mm)

Modellnavn	A	B	C	D 1	D 2	E	F ^{*1}	G ^{*1} (°)
K-77XR8x	1 713	984	362	139	-	48	251,4	12
K-65XR8x	1 442	829	362	57	-	48	250,8	17
K-55XR8x	1 223	706	362	-	3	48	250,8	19

*1 (Ca.)

Πληροφορίες εγκατάστασης για τη Χρήση της Επιτοίχιας βάσης της Sony (SU-WL850)

Υποστηριζόμενα μοντέλα*1:

*1 Στις πραγματικές ονομασίες των μοντέλων, το "x"/"xx" υποδεικνύει τους αριθμούς ή/και χαρακτήρες του συγκεκριμένου μοντέλου.

K-77XR8x / 65XR8x / 55XR8x

Προς τους πελάτες

Για λόγους προστασίας και ασφάλειας του προϊόντος, η Sony συνιστά ένθερμα η εγκατάσταση της τηλεόρασής σας να πραγματοποιείται από αντιπροσώπους της Sony ή εξουσιοδοτημένους τεχνικούς. Μην επιχειρήσετε να την εγκαταστήσετε μόνοι σας.

Προς τους αντιπροσώπους της Sony και τους τεχνικούς

Δώστε μεγάλη προσοχή στην ασφάλεια κατά την εγκατάσταση, την περιοδική συντήρηση και τον έλεγχο του προϊόντος αυτού.

Απαιτείται επαρκής εμπειρία για την εγκατάσταση του προϊόντος αυτού και ειδικότερα για να προσδιοριστεί η αντοχή του τοίχου που θα συγκρατεί το βάρος της τηλεόρασης. Αναθέστε την τοποθέτηση του προϊόντος αυτού στον τοίχο σε αντιπροσώπους της Sony ή σε εξουσιοδοτημένους τεχνικούς και δείξτε την απαραίτητη προσοχή στα θέματα ασφάλειας κατά την εγκατάσταση. Η Sony δεν αναλαμβάνει καμία ευθύνη για τυχόν ζημιά ή τραυματισμό που ενδέχεται να προκληθεί από λανθασμένους χειρισμούς ή ακατάλληλη εγκατάσταση.

Για ασφάλεια και σωστή εγκατάσταση, ακολουθήστε τις Οδηγίες λειτουργίας της Επιτοίχιας βάσης, τον Οδηγό εγκατάστασης της τηλεόρασης και τις οδηγίες σε αυτό το εγχειρίδιο.

Επιτοίχια Βάση

Σχετικά με την ασφάλεια

Σας ευχαριστούμε που αγοράσατε αυτό το προϊόν.

Προς τους πελάτες

Εγκατάσταση της τηλεόρασης στον τοίχο



ΠΡΟΕΙΔΟΠΟΙΗΣΗ

ΑΠΑΙΤΕΙΤΑΙ ΕΓΚΑΤΑΣΤΑΣΗ ΑΠΟ ΕΙΔΙΚΟ

Το προϊόν αυτό θα πρέπει να τοποθετείται μόνο από ειδικό εγκατάσταση, ο οποίος θα είναι κατάλληλα καταρτισμένος ώστε να υπολογίσει την αντοχή του τοίχου, προκειμένου να δεχθεί το βάρος της τηλεόρασης. Αν δεν στερεωθεί κατάλληλα κατά την εγκατάσταση, η τηλεόραση μπορεί να πέσει και να προκαλέσει σοβαρό τραυματισμό. Η Sony δεν φέρει καμία ευθύνη για τυχόν υλική ζημία ή τραυματισμό που θα προκληθεί από λάθος χειρισμό ή ακατάλληλη εγκατάσταση, ή λόγω εγκατάσταση οποιουδήποτε άλλου εκτός από το καθορισμένο προϊόν. Δεν επηρεάζονται τα νόμιμα δικαιώματά σας (εάν υπάρχουν).

Προς τους αντιπροσώπους της Sony

Για την εγκατάσταση αυτού του προϊόντος απαιτείται επαρκής τεχνική κατάρτιση. Διαβάστε προσεκτικά το παρόν εγχειρίδιο οδηγιών, έτσι ώστε να εκτελέσετε τις εργασίες εγκατάστασης με ασφάλεια. Η Sony δεν αναλαμβάνει καμία ευθύνη για τυχόν ζημιά ή τραυματισμό που ενδέχεται να προκληθεί από λανθασμένους χειρισμούς ή ακατάλληλη εγκατάσταση. Μετά την εγκατάσταση, παραδώστε αυτό το εγχειρίδιο στον πελάτη.

Στο παρόν εγχειρίδιο οδηγιών παρουσιάζεται ο σωστός τρόπος χειρισμού του προϊόντος, καθώς και σημαντικές προφυλάξεις, οι οποίες είναι απαραίτητες για την αποφυγή ατυχημάτων. Αποτελεί δική σας ευθύνη να διαβάσετε, να κατανοήσετε πλήρως και να ακολουθήσετε όλες τις οδηγίες που δίνονται σε αυτό το εγχειρίδιο οδηγιών. Σε αντίθετη περίπτωση, μπορεί να προκληθεί σοβαρός τραυματισμός ή υλική ζημιά και η εγγύηση να καταστεί άκυρη. Φυλάξτε το παρόν εγχειρίδιο για μελλοντική χρήση.

Τα προϊόντα της Sony σχεδιάζονται με γνώμονα την ασφάλεια. Σε περίπτωση λανθασμένου χειρισμού ενδέχεται να προκληθεί σοβαρός τραυματισμός λόγω πυρκαγιάς, ηλεκτροπληξίας, ανατροπής ή πτώσης του προϊόντος. Για να αποφύγετε τέτοιου είδους ατυχήματα, βεβαιωθείτε ότι λαμβάνετε τις προφυλάξεις ασφάλειας.

ΠΡΟΣΟΧΗ

Συμβατά προϊόντα

Αυτή η Επιτοίχια Βάση έχει σχεδιαστεί για χρήση με τα καθορισμένα μοντέλα τηλεόρασης. Για τις τηλεοράσεις, ανατρέξτε στον Οδηγό αναφοράς τους, προκειμένου να επαληθεύσετε εάν μπορείτε να χρησιμοποιήσετε την Επιτοίχια βάση.

Προς τους πελάτες

ΠΡΟΕΙΔΟΠΟΙΗΣΗ

Εάν δεν ληφθούν οι ακόλουθες προφυλάξεις, ενδέχεται να προκληθεί σοβαρός τραυματισμός ή θάνατος λόγω πυρκαγιάς, ηλεκτροπληξίας, ανατροπής ή πτώσης του προϊόντος.

Φροντίστε να αναθέσετε την εγκατάσταση σε εξουσιοδοτημένους τεχνικούς και κρατήστε μακριά τα παιδιά κατά τη διάρκεια της εγκατάστασης.

Εάν η Επιτοίχια βάση ή η τηλεόραση δεν εγκατασταθούν σωστά, ενδέχεται να προκληθούν τα ατυχήματα που αναφέρονται παρακάτω. Βεβαιωθείτε ότι η εγκατάσταση θα εκτελεστεί από εξουσιοδοτημένους τεχνικούς.

- Η τηλεόραση ενδέχεται να πέσει και να προκαλέσει σοβαρούς τραυματισμούς, όπως μώλωπες ή κατάγματα.
- Εάν ο τοίχος στον οποίο θα εγκαταστήσετε την Επιτοίχια βάση είναι ασταθής, ανομοιομορφος ή δεν είναι κατακόρυφος προς το δάπεδο, ενδέχεται να προκληθεί πτώση της μονάδας με συνέπεια τραυματισμούς ή υλικές ζημιές. Ο τοίχος θα πρέπει να έχει την κατάλληλη αντοχή για να δεχθεί βάρος τουλάχιστον εξαπλάσιο από το βάρος της τηλεόρασης. (Ανατρέξτε στον Οδηγό αναφοράς της τηλεόρασής σας σχετικά με το βάρος της.)
- Εάν η Επιτοίχια βάση δεν στερεωθεί σταθερά στον τοίχο, ενδέχεται να προκληθεί πτώση της μονάδας με συνέπεια τραυματισμούς ή υλικές ζημιές.

Αναθέστε τη μεταφορά ή την αφαίρεση της τηλεόρασης σε εξουσιοδοτημένους τεχνικούς.

Εάν η μεταφορά ή η αφαίρεση της τηλεόρασης πραγματοποιηθεί από μη εξουσιοδοτημένο προσωπικό, ενδέχεται να προκληθεί πτώση με συνέπεια τραυματισμούς ή υλικές ζημιές. Για τη μεταφορά μιας μεγάλης τηλεόρασης απαιτούνται δύο ή περισσότερα άτομα (τρία ή περισσότερα άτομα για τηλεοράσεις 189,3 cm (75 ίντσες) και άνω) (εκτός από την Αίγυπτο). Για τη μεταφορά μιας μεγάλης τηλεόρασης απαιτούνται δύο ή περισσότερα άτομα (τρία ή περισσότερα άτομα για τηλεοράσεις 75 ίντσες (189,3 cm) και άνω) (μόνο για την Αίγυπτο).

Μην αφαιρείτε βίδες κλπ. μετά την τοποθέτηση της τηλεόρασης.

Σε διαφορετική περίπτωση, ενδέχεται να προκληθεί πτώση της τηλεόρασης με συνέπεια τραυματισμούς ή υλικές ζημιές.

Μην τροποποιείτε τα εξαρτήματα της Επιτοίχιας Βάσης.

Σε διαφορετική περίπτωση, ενδέχεται να προκληθεί πτώση της Επιτοίχιας Βάσης με συνέπεια τραυματισμούς ή υλικές ζημιές.

Μην τοποθετείτε συσκευές διαφορετικές από τις καθορισμένες.

Αυτή η Επιτοίχια βάση έχει σχεδιαστεί για χρήση μόνο με το καθορισμένο προϊόν. Εάν τοποθετήσετε συσκευή διαφορετική από αυτήν που καθορίζεται, ενδέχεται να προκληθεί πτώση ή θραύση της συσκευής με συνέπεια τραυματισμούς ή υλικές ζημιές.

Μην τοποθετείτε στην Επιτοίχια βάση άλλα φορτία εκτός από την τηλεόραση.

Μην κινείτε την τηλεόραση προς τα αριστερά/δεξιά ή προς τα πάνω/κάτω.

Σε διαφορετική περίπτωση, ενδέχεται να προκληθεί πτώση της τηλεόρασης με συνέπεια τραυματισμούς ή υλικές ζημιές.

Μην στηρίζετε και μην κρέμεστε από την τηλεόραση.

Μην στηρίζετε και μην κρέμεστε από την τηλεόραση, καθώς ενδέχεται να προκληθεί πτώση της με συνέπεια σοβαρό τραυματισμό.

GR

ΠΡΟΣΟΧΗ

Εάν δεν ληφθούν οι ακόλουθες προφυλάξεις, ενδέχεται να προκληθούν τραυματισμοί ή υλικές ζημιές.

- Προσέξτε να μην πιάσετε τα δάκτυλά σας κατά το χειρισμό της Επιτοίχιας Βάσης ή κατά την περιστροφή της τηλεόρασης.
- Στρέψτε την τηλεόραση αργά, προσέχοντας να μην χτυπήσετε άτομα που βρίσκονται κοντά.
- Φροντίστε να αποθηκεύσετε τα εξαρτήματα που δεν χρησιμοποιούνται σε ασφαλές μέρος για μελλοντική χρήση. Κρατήστε τα μακριά από παιδιά.

Μην ασκείτε υπερβολική δύναμη στο προϊόν κατά τον καθαρισμό ή τις εργασίες συντήρησης.

Μην ασκείτε υπερβολική δύναμη στην επάνω πλευρά της τηλεόρασης. Σε διαφορετική περίπτωση, ενδέχεται να προκληθεί πτώση της τηλεόρασης με συνέπεια τραυματισμούς ή υλικές ζημιές.

Μην τοποθετείτε το προϊόν αυτό κοντά σε ιατρικές συσκευές.

Το προϊόν αυτό (συμπεριλαμβανομένων αξεσουάρ) έχει μαγνήτη(-ες) που μπορεί να δημιουργεί(-ούν) παρεμβολές σε βηματοδότες, προγραμματιζόμενες βαλβίδες παροχέτευσης για τη θεραπεία υδροκεφάλου ή άλλες ιατρικές συσκευές. Μην τοποθετείτε το προϊόν αυτό κοντά σε άτομα που χρησιμοποιούν τέτοιου είδους ιατρικές συσκευές. Συμβουλευτείτε τον γιατρό σας, πριν χρησιμοποιήσετε το προϊόν αυτό, εφόσον χρησιμοποιείτε τέτοιου είδους ιατρική συσκευή.

Φυλάσσεται μακριά από παιδιά ή άτομα που τελούν υπό επιτήρηση.

Το προϊόν αυτό (συμπεριλαμβανομένων αξεσουάρ) έχει μαγνήτη(-ες). Η κατάποση μαγνήτη(-τών) ενδέχεται να προκαλέσει σοβαρή βλάβη, όπως ασφυξία ή εντερικούς τραυματισμούς. Σε περίπτωση κατάποσης μαγνητών (ή μαγνήτη), συμβουλευτείτε αμέσως έναν γιατρό.

Προφυλάξεις

- Εάν η τηλεόραση παραμένει συνδεδεμένη στην Επιτοίχια βάση για μεγάλο χρονικό διάστημα, η επιφάνεια του τοίχου πίσω ή επάνω από την τηλεόραση ενδέχεται να ξεθωριάσει ή η ταπετσαρία ενδέχεται να ξεκολλήσει, ανάλογα με το υλικό κατασκευής του τοίχου.
- Εάν η Επιτοίχια βάση αφαιρεθεί αφού εγκατασταθεί στον τοίχο, θα παραμείνουν οι οπές των βιδών.
- Μην χρησιμοποιείτε την Επιτοίχια βάση σε σημεία που υπόκεινται σε μηχανικούς κραδασμούς.

Εγκατάσταση της Επιτοίχιας Βάσης

Προς τους αντιπροσώπους της Sony

ΠΡΟΕΙΔΟΠΟΙΗΣΗ

Οι ακόλουθες οδηγίες αφορούν μόνον τους αντιπροσώπους της Sony. Διαβάστε τις προφυλάξεις ασφάλειας που περιγράφονται παραπάνω και τηρήστε τα μέτρα ασφάλειας κατά τη διάρκεια της εγκατάστασης, της συντήρησης και του ελέγχου αυτού του προϊόντος.

Μην εγκαθιστάτε την Επιτοίχια βάση σε επιφάνειες τοίχου όπου οι γωνίες ή οι πλευρές της τηλεόρασης θα προεξέχουν από την επιφάνεια του τοίχου.

Μην εγκαθιστάτε την Επιτοίχια βάση σε επιφάνειες τοίχου, όπως κολόνες, όπου οι γωνίες ή οι πλευρές της τηλεόρασης θα προεξέχουν από την επιφάνεια του τοίχου. Εάν κάποιο άτομο ή κάποιο αντικείμενο προσκρούσει σε γωνία ή σε πλευρά της τηλεόρασης η οποία προεξέχει από την επιφάνεια του τοίχου, ενδέχεται να προκληθούν τραυματισμοί ή υλικές ζημιές.

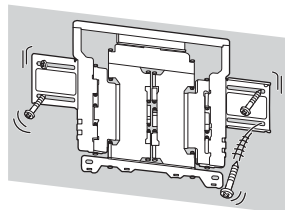


Μην τοποθετείτε την τηλεόραση επάνω ή κάτω από συσκευές κλιματισμού.

Εάν η τηλεόραση παραμένει εκτεθειμένη σε διαρροή νερού ή ρεύμα αέρα από συσκευή κλιματισμού για μεγάλο χρονικό διάστημα, ενδέχεται να προκληθεί πυρκαγιά, ηλεκτροπληξία ή δυσλειτουργία της τηλεόρασης.

Εγκαταστήστε την Επιτοίχια βάση σταθερά στον τοίχο, ακολουθώντας τις οδηγίες που παρέχονται στο παρόν εγχειρίδιο οδηγιών.

Σε περίπτωση μερικής ή πλήρους χαλάρωσης των βιδών, ενδέχεται να προκληθεί πτώση της Επιτοίχιας Βάσης με συνέπεια τραυματισμούς ή υλικές ζημιές. Βεβαιωθείτε ότι χρησιμοποιείτε τις κατάλληλες βίδες για το υλικό του τοίχου και εγκαταστήστε τη μονάδα με ασφάλεια χρησιμοποιώντας τέσσερις βίδες διαμέτρου 8 mm (ή άλλες ισοδύναμες).



Χρησιμοποιήστε τις βίδες που παρέχονται στη συσκευασία, καθώς και τα συνδεδεικμένα εξαρτήματα σύμφωνα με τις οδηγίες που παρέχονται στο παρόν εγχειρίδιο οδηγιών. Εάν χρησιμοποιήσετε υποκατάστατα εξαρτήματα, ενδέχεται να προκληθεί πτώση της τηλεόρασης με συνέπεια τραυματισμούς ή υλικές ζημιές στην τηλεόραση.

Συναρμολογήστε σωστά τα εξαρτήματα του στηρίγματος, ακολουθώντας τη διαδικασία που περιγράφεται στο παρόν εγχειρίδιο οδηγιών.

Σε περίπτωση μερικής ή πλήρους χαλάρωσης της σύσφιξης σε κάποια από τις βίδες, ενδέχεται να προκληθεί πτώση της τηλεόρασης με συνέπεια τραυματισμούς ή ζημιά στην τηλεόραση.

Σφίξτε τις βίδες και βεβαιωθείτε ότι έχουν τοποθετηθεί στη σωστή θέση.

Σε αντίθετη περίπτωση, ενδέχεται να προκληθεί πτώση της τηλεόρασης με συνέπεια τραυματισμούς ή ζημιά στην τηλεόραση.

Μην υποβάλλετε την τηλεόραση σε κραδασμούς κατά την τοποθέτησή της.

Σε διαφορετική περίπτωση, ενδέχεται να προκληθεί πτώση και θραύση της τηλεόρασης. Επίσης, υπάρχει πιθανότητα τραυματισμού.

Τοποθετήστε την τηλεόραση σε τοίχο ο οποίος είναι κατακόρυφος προς το δάπεδο και επίπεδος.

Σε διαφορετική περίπτωση, ενδέχεται να προκληθεί πτώση της τηλεόρασης με συνέπεια τραυματισμούς.

Αφού τοποθετήσετε σωστά την τηλεόραση, ασφαλίστε κατάλληλα τα καλώδια.

Εάν άτομα ή αντικείμενα μπερδευτούν στα καλώδια, ενδέχεται να προκληθούν τραυματισμοί ή ζημιά στην τηλεόραση.

Αποφύγετε την άσκηση πιέσεων στο καλώδιο τροφοδοσίας ή στο καλώδιο σύνδεσης.

Εάν το καλώδιο τροφοδοσίας ή το καλώδιο σύνδεσης συμπιέζεται ανάμεσα στην συσκευή και στον τοίχο ή λυγίσει ή στρεβλωθεί λόγω άσκησης πίεσης, υπάρχει κίνδυνος έκθεσης των εσωτερικών αγωγών των καλωδίων με συνέπεια βραχυκύκλωμα ή διακοπή ηλεκτρικού ρεύματος. Αυτό ενδέχεται να προκαλέσει πυρκαγιά ή ηλεκτροπληξία.



Οι βίδες που απαιτούνται για τη στερέωση της Επιτοίχιας Βάσης στον τοίχο δεν παρέχονται.

Κατά την τοποθέτηση της Επιτοίχιας βάσης, χρησιμοποιήστε βίδες οι οποίες είναι κατάλληλες για το υλικό κατασκευής και τη δομή του τοίχου.

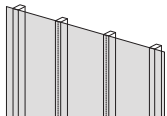
Πριν ξεκινήσετε

- Οι εικόνες της τηλεόρασης που εμφανίζονται σε αυτό το εγχειρίδιο είναι παραδείγματα που χρησιμοποιούνται για την παροχή σαφών επεξηγήσεων για τις λειτουργίες. Για αυτόν τον λόγο, οι εικόνες ενδέχεται να εμφανίζονται διαφορετικές από την πραγματική σας τηλεόραση.

Από τι υλικό είναι κατασκευασμένος ο τοίχος σας;

Αρχικά ελέγξτε τον τύπο του τοίχου για την εγκατάσταση της τηλεόρασης.

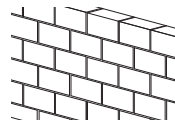
Γυψοσανίδα με καρφιά



Προφυλάξεις

- Μέγιστο πάχος γυψοσανίδας: 16 mm.
- Βεβαιωθείτε ότι το μέγεθος του εσωτερικού ξύλινου καρφιού είναι 51 mm × 102 mm τουλάχιστον για τα κοινά ή 38 mm × 89 mm για τα καρφιά ονομαστικών διαστάσεων.
- Διατηρήστε οριζόντια απόσταση 406 mm τουλάχιστον μεταξύ των συνδέσμων.

Συμπαγές τσιμέντο ή τσιμεντόλιθοι



Προφυλάξεις

- Τοποθετήστε την Επιτοίχια Βάση απευθείας στον τοίχο από συμπαγές μπετόν.
- Βεβαιωθείτε ότι το πάχος του τοίχου από συμπαγές μπετόν είναι 203 mm τουλάχιστον.
- Βεβαιωθείτε ότι το μέγεθος κάθε τσιμεντόλιθου είναι 203 mm × 203 mm × 406 mm τουλάχιστον.

Έλεγχος των εξαρτημάτων



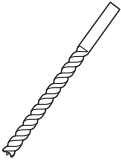
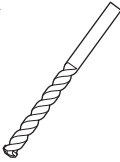
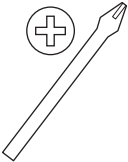
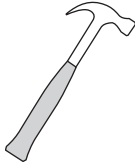
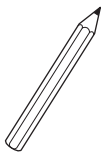

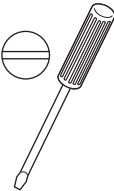




Παρέχονται με το μοντέλο SU-WL850

- Ελέγξτε ότι περιλαμβάνονται όλα τα εξαρτήματα.

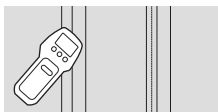
WM1 (x1) 	WM2 (x1) 	WM3 (x4)
M6 (x4) 	WT1 (x6) 	

Προετοιμασία για τοποθέτηση

- Να έχετε κοντά σας τον Οδηγό αναφοράς και τον Οδηγό εγκατάστασης της τηλεόρασης πριν από την εγκατάσταση.
- Επαληθεύστε τη θέση τοποθέτησης της τηλεόρασης.
- Προετοιμάστε τέσσερις βίδες διαμέτρου 8 mm και τέσσερις κατάλληλες ροδέλες (δεν παρέχονται). Επιλέξτε βίδες που είναι κατάλληλες για το υλικό κατασκευής του τοίχου.
- Προετοιμάστε τα ακόλουθα εργαλεία:

*1 		 5,5 mm	 10 mm	
*2 		 1,5 N·m {15 kgf·cm}	*3  1,5 N·m {15 kgf·cm}	
	*2  (x4)	*4  (x4) 8 mm x 60 mm	*4  (x4)	

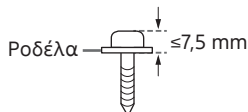
*1 Μόνο για γυψοσανίδες με καρφιά



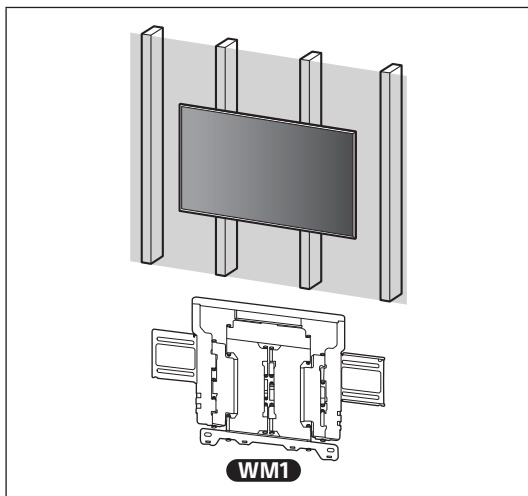
*2 Μόνο για συμπαγές τσιμέντο ή τσιμεντόλιθους

*3 Ανάλογα τα μοντέλα

*4 Να είστε προσεκτικοί όταν επιλέγετε βίδες και ροδέλες



A Σύνδεση της Επιτοίχιας Βάσης στην γυψοσανίδα με καρφιά



Εγκατάσταση της Επιτοίχιας Βάσης στον τοίχο

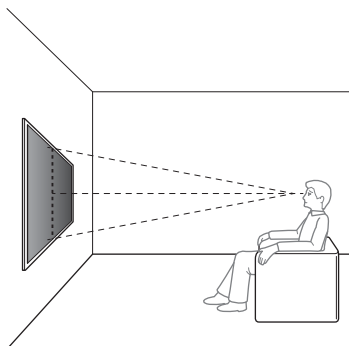
1 Καθορίστε τη θέση τοποθέτησης.

Βεβαιωθείτε ότι στον τοίχο υπάρχει αρκετός χώρος για την τηλεόραση και ότι ο τοίχος μπορεί να στηρίξει βάρος τουλάχιστον έξι φορές μεγαλύτερο από αυτό της τηλεόρασης.

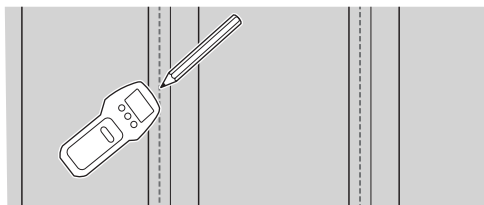
- Ανατρέξτε στην ενότητα "Μέτρηση για τοποθέτηση Επιτοίχιας Βάσης στον τοίχο" στη σελίδα 19.
- Ανατρέξτε στον Οδηγό αναφοράς της τηλεόρασής σας για πληροφορίες σχετικά με το βάρος της.

Σημείωση

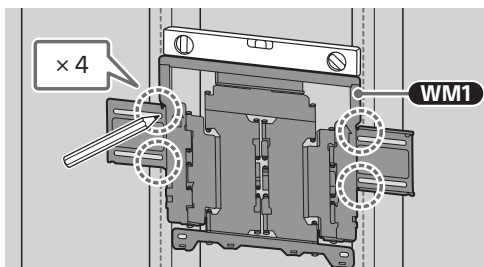
- Όταν η τηλεόραση είναι εγκατεστημένη στον τοίχο, το ανώτερο τμήμα της τηλεόρασης γέρνει ελαφρώς μπροστά.
- Συνιστάται να ελέγξετε τη θέση της τηλεόρασης στο περιβάλλον τηλεθέασης.



2



3 Ευθυγραμμίστε το τμήμα WM1 στον τοίχο και σχεδιάστε τέσσερα σημάδια τα οποία θα ευθυγραμμίζονται με τα καρφιά.

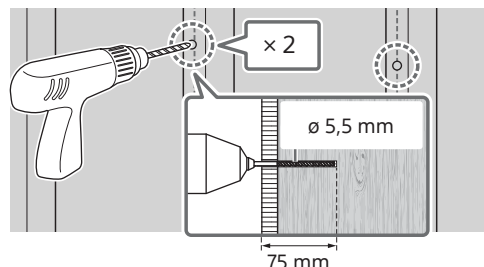


Σημείωση

- Χρησιμοποιήστε αλφάδι για να ελέγξετε εάν το WM1 είναι οριζόντιο.

4 Ανοίξτε τις επάνω οπές οδηγούς στα σημάδια.

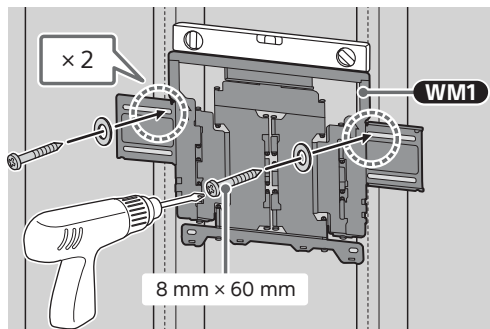
Βεβαιωθείτε ότι η θέση στον τοίχο για τις τρύπες είναι αρκετά δυνατή για να αντέχει τουλάχιστον έξι φορές το βάρος της τηλεόρασης.



Σημείωση

- Οι οπές οδηγού θα πρέπει να ανοιχθούν σε βάθος 75 mm, με χρήση τρυπανιού διαμέτρου 5,5 mm.

- 5** Τοποθετήστε το τμήμα **WM1** στον τοίχο χρησιμοποιώντας κατάλληλες βίδες (δεν παρέχονται) και ροδέλες (δεν παρέχονται).



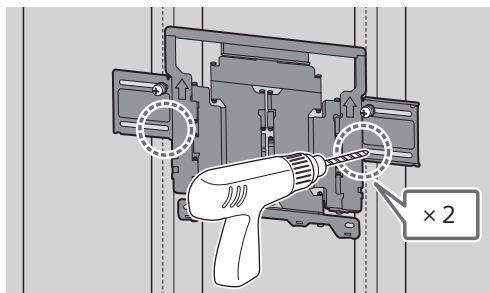
Σημείωση

- Χρησιμοποιήστε αλφάδι για να ελέγξετε εάν το **WM1** είναι οριζόντιο.

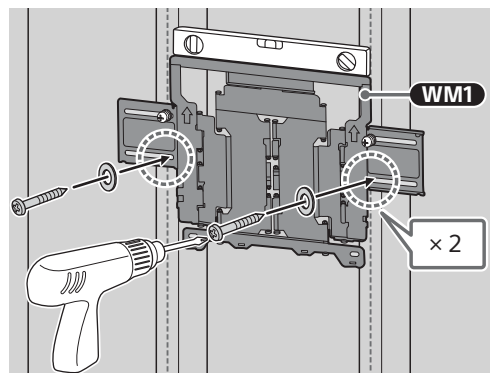
Προσοχή

- Μη σφίγγετε υπερβολικά την ξυλόβιδα 8 mm x 60 mm. Το υπερβολικό σφίξιμο μπορεί να μειώσει τη δύναμη συγκράτησης της ξυλόβιδας 8 mm x 60 mm.

- 6** Ανοίξτε τις κάτω οπές οδηγούς στα σημάδια. (Ανατρέξτε στο βήμα 4 για οδηγίες σχετικά με τη διάνοιξη των οπών.)



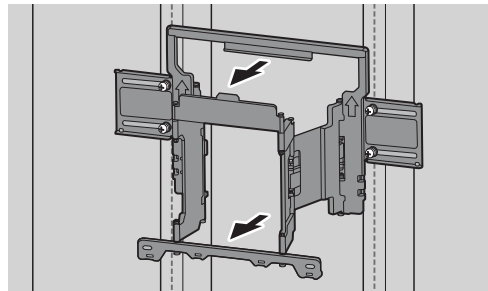
- 7** Τοποθετήστε τις κατάλληλες βίδες και ροδέλες στις οπές.



Σημείωση

- Χρησιμοποιήστε αλφάδι για να ελέγξετε εάν το **WM1** είναι οριζόντιο.

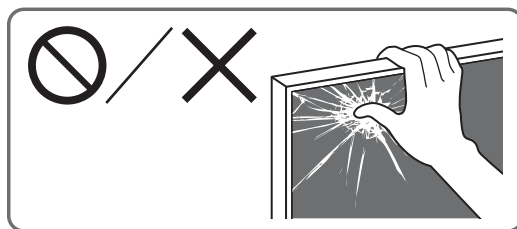
- 8** Τραβήξτε τον βραχίονα της βάσης μέχρι τέρμα.



Προετοιμασία για την τοποθέτηση της τηλεόρασης

Σημείωση

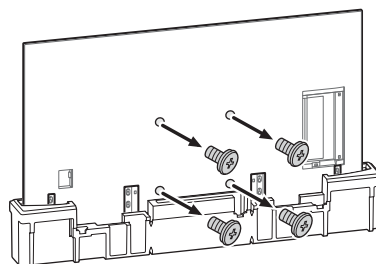
- Αποθηκεύστε τις βίδες που αφαιρέσατε και τα μη χρησιμοποιημένα εξαρτήματα σε ένα ασφαλές σημείο και φυλάξτε τα μακριά από παιδιά.



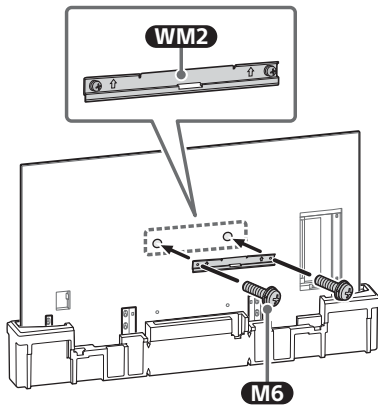
Εγκατάσταση της τηλεόρασης στο τοίχο από το χαρτόνι*1

- *1 Μόνο για περιορισμένες περιοχές/χώρες/μοντέλα.

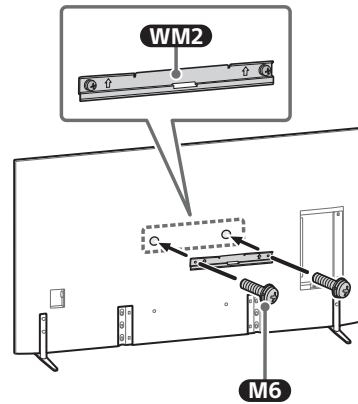
- 1** Αφαιρέστε τις βίδες από το πίσω μέρος της τηλεόρασης.



- 2 Τοποθετήστε το τμήμα **WM2** στην τηλεόραση χρησιμοποιώντας τις βίδες **M6**.

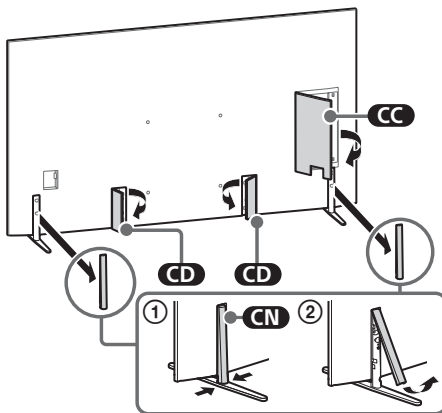


- 3 Τοποθετήστε το τμήμα **WM2** στην τηλεόραση χρησιμοποιώντας τις βίδες **M6**.

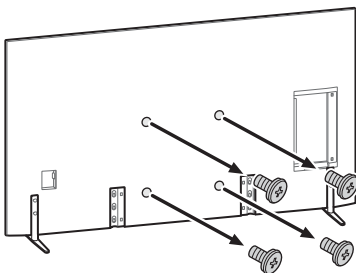


Εγκατάσταση της τηλεόρασης στο τοίχο από Βάση επιτραπέζιας τοποθέτησης

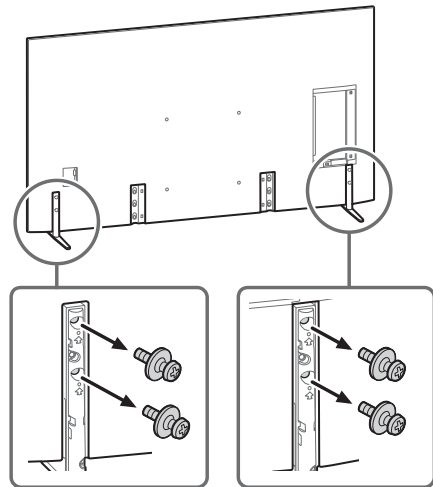
- 1 Αφαιρέστε τα καλύμματα της βάσης και τα καλύμματα ακροδεκτών.



- 2 Αφαιρέστε τις βίδες από το πίσω μέρος της τηλεόρασης.



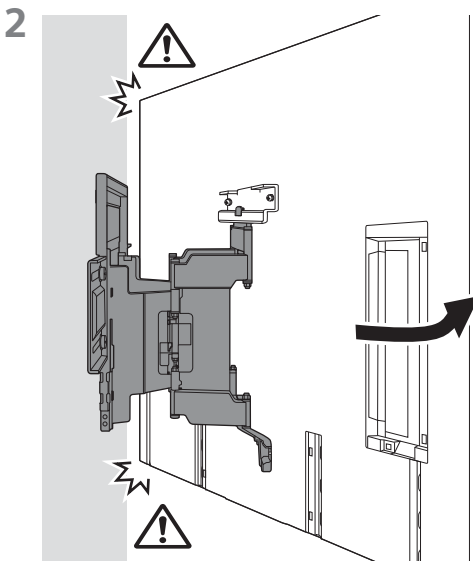
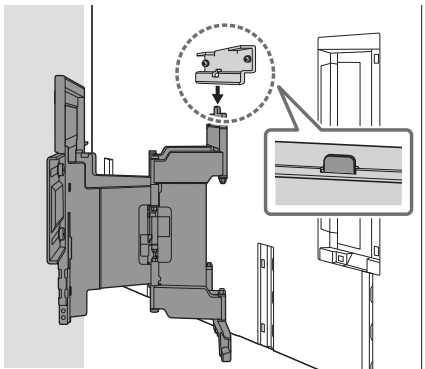
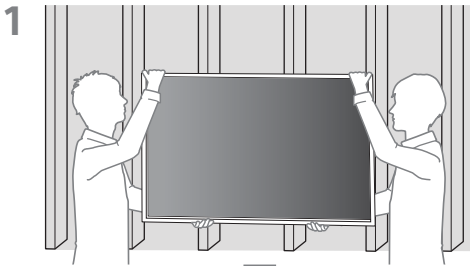
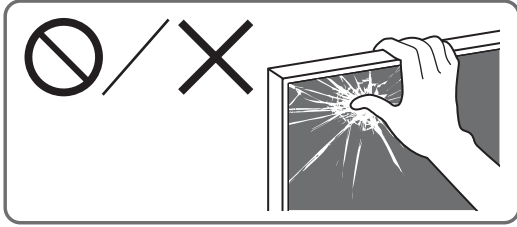
- 4 Αφαιρέστε τη Βάση επιτραπέζιας τοποθέτησης από την τηλεόραση.



Σημείωση

- Προσέχετε όταν σηκώνετε την τηλεόραση καθώς, επειδή έχει αφαιρεθεί η Βάση επιτραπέζιας τοποθέτησης, η Βάση μπορεί να πέσει και να προκληθεί τραυματισμός.
- Προσέχετε όταν αφαιρείτε τη Βάση επιτραπέζιας τοποθέτησης από την τηλεόραση ώστε να μην πέσει και προκαλέσει ζημιά στην επιφάνεια όπου στέκεται η τηλεόραση.

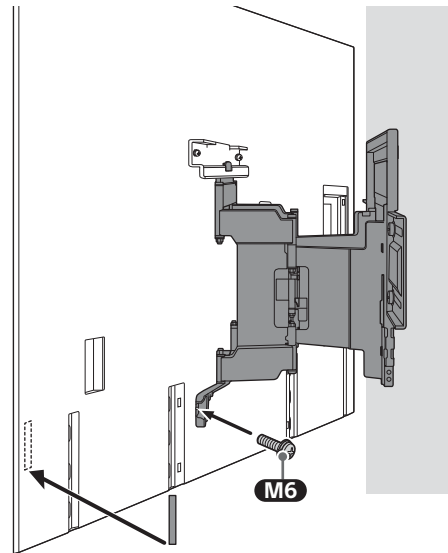
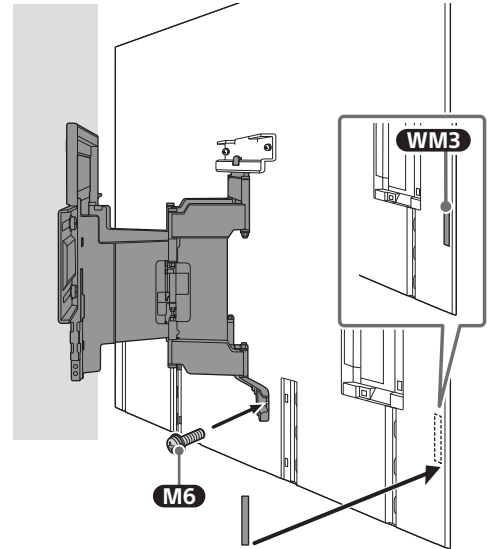
Τοποθέτηση της τηλεόρασης στον τοίχο

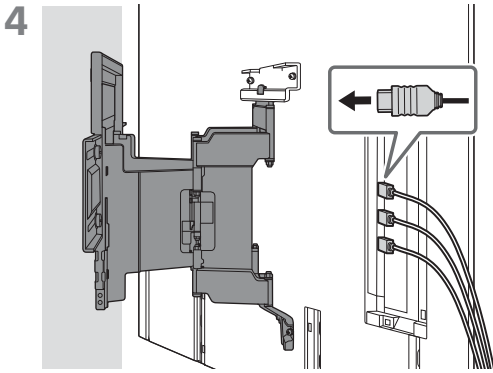


- 3 Βιδώστε την αριστερή και τη δεξιά πλευρά της Επιτοίχιας Βάσης χρησιμοποιώντας το **M6** και συνδέστε το **WM3**.

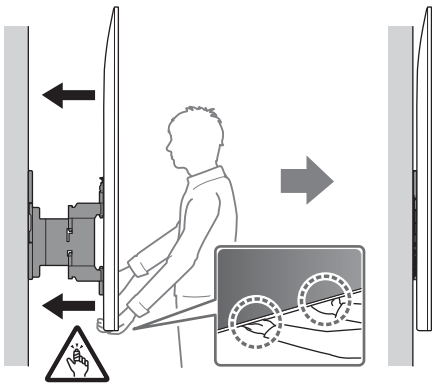
Σημείωση

- Μην τοποθετείτε το **WM3** στις ετικέτες.



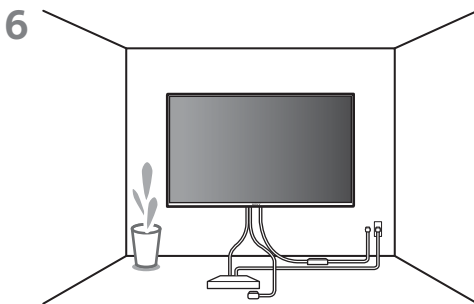


5 Όταν μετακινείτε την τηλεόραση, να την κρατάτε καλά από κάτω.



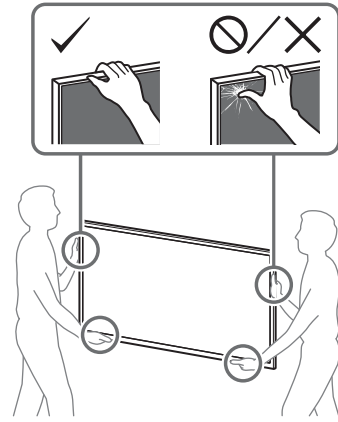
Σημείωση

- Η τηλεόραση ενδέχεται να μην κινείται κοντά στον τοίχο ανάλογα με τον τύπο και τον αριθμό των συνδεδεμένων καλωδίων. Αυτό δεν είναι δυσλειτουργία.



ΠΡΟΕΙΔΟΠΟΙΗΣΗ

- Για τη μεταφορά μιας μεγάλης τηλεόρασης απαιτούνται δύο ή περισσότερα άτομα (τρία ή περισσότερα άτομα για τηλεοράσεις 189,3 cm (75 ίντσες) και άνω) (εκτός από την Αίγυπτο). Για τη μεταφορά μιας μεγάλης τηλεόρασης απαιτούνται δύο ή περισσότερα άτομα (τρία ή περισσότερα άτομα για τηλεοράσεις 75 ίντσες (189,3 cm) και άνω) (μόνο για την Αίγυπτο).



Επαλήθευση της ολοκλήρωσης των εργασιών τοποθέτησης

Ελέγξτε τα παρακάτω σημεία.

- Το σχοινί και το καλώδιο δεν έχουν στρεβλωθεί ή συμπιεστεί.

ΠΡΟΕΙΔΟΠΟΙΗΣΗ

- Η λανθασμένη τοποθέτηση του καλωδίου τροφοδοσίας κλπ. μπορεί να προκαλέσει πυρκαγιά ή ηλεκτροπληξία λόγω βραχυκυκλώματος. Για λόγους ασφάλειας, βεβαιωθείτε ότι έχουν ολοκληρωθεί οι εργασίες τοποθέτησης.

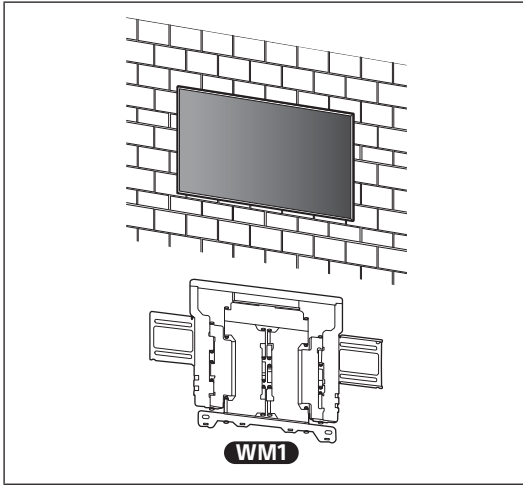
Άλλες πληροφορίες

Κατά την αφαίρεση της τηλεόρασης, ακολουθήστε τα βήματα της διαδικασίας τοποθέτησης με την αντίστροφη σειρά.

ΠΡΟΕΙΔΟΠΟΙΗΣΗ

- Για τη μεταφορά μιας μεγάλης τηλεόρασης απαιτούνται δύο ή περισσότερα άτομα (τρία ή περισσότερα άτομα για τηλεοράσεις 189,3 cm (75 ίντσες) και άνω) (εκτός από την Αίγυπτο). Για τη μεταφορά μιας μεγάλης τηλεόρασης απαιτούνται δύο ή περισσότερα άτομα (τρία ή περισσότερα άτομα για τηλεοράσεις 75 ίντσες (189,3 cm) και άνω) (μόνο για την Αίγυπτο).

B Τοποθέτηση της Επιτοίχιας Βάσης στο συμπαγές τσιμέντο ή τους τσιμεντόλιθους



Εγκατάσταση της Επιτοίχιας Βάσης στον τοίχο

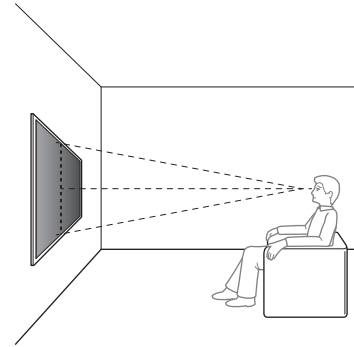
1 Καθορίστε τη θέση τοποθέτησης.

Βεβαιωθείτε ότι στον τοίχο υπάρχει αρκετός χώρος για την τηλεόραση και ότι ο τοίχος μπορεί να στηρίξει βάρος τουλάχιστον έξι φορές μεγαλύτερο από αυτό της τηλεόρασης.

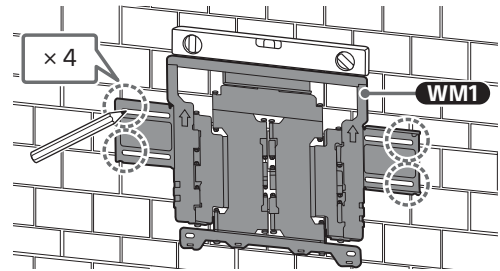
- Ανατρέξτε στην ενότητα "Μέτρηση για τοποθέτηση Επιτοίχιας Βάσης στον τοίχο" στη σελίδα 19.
- Ανατρέξτε στον Οδηγό αναφοράς της τηλεόρασής σας για πληροφορίες σχετικά με το βάρος της.

Σημείωση

- Όταν η τηλεόραση είναι εγκατεστημένη στον τοίχο, το ανώτερο τμήμα της τηλεόρασης γέρνει ελαφρώς μπροστά.
- Συνιστάται να ελέγξετε τη θέση της τηλεόρασης στο περιβάλλον τηλεθέασης.



2 Ευθυγραμμίστε το τμήμα WM1 στον τοίχο και σχεδιάστε τέσσερα σημάδια.

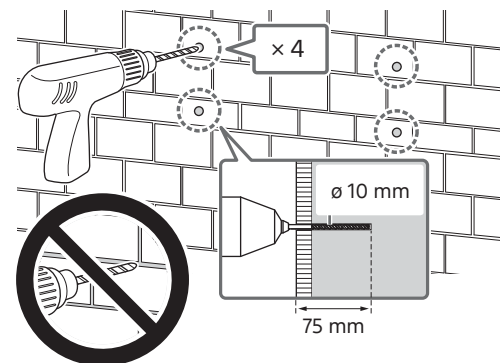


Σημείωση

- Χρησιμοποιήστε αλφάδι για να ελέγξετε εάν το WM1 είναι οριζόντιο.

3 Ανοίξτε τρύπες οδηγούς επάνω στα σημάδια.

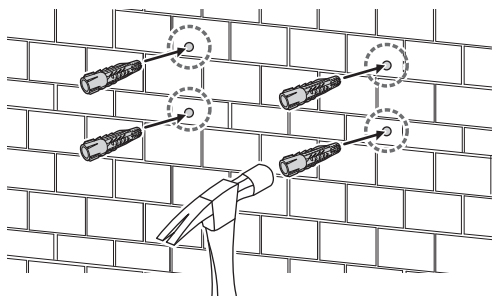
Βεβαιωθείτε ότι η θέση στον τοίχο για τις τρύπες είναι αρκετά δυνατή για να αντέχει τουλάχιστον έξι φορές το βάρος της τηλεόρασης.



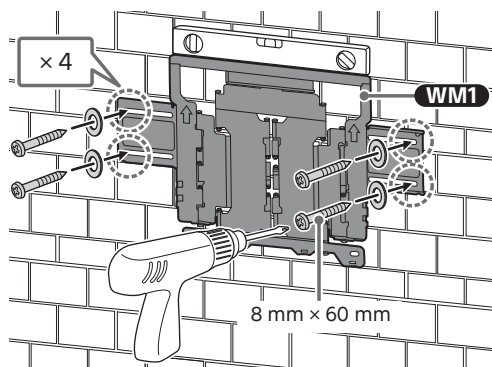
Σημείωση

- Οι οπές οδηγοί θα πρέπει να ανοιχθούν σε βάθος 75 mm, με χρήση τρυπανιού διαμέτρου 10 mm.

4



- 5 Τοποθετήστε το τμήμα **WM1** στον τοίχο χρησιμοποιώντας κατάλληλες βίδες (δεν παρέχονται) και ροδέλες (δεν παρέχονται).



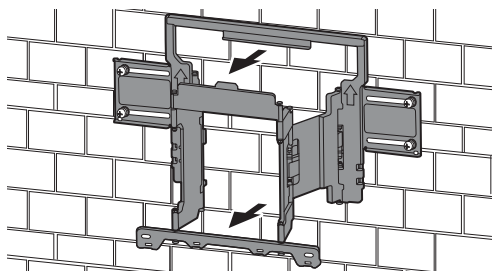
Σημείωση

- Χρησιμοποιήστε αλφάδι για να ελέγξετε εάν το **WM1** είναι οριζόντιο.

Προσοχή

- Μη σφίγγετε υπερβολικά την ξυλόβιδα 8 mm x 60 mm. Το υπερβολικό σφίξιμο μπορεί να μειώσει τη δύναμη συγκράτησης της ξυλόβιδας 8 mm x 60 mm.

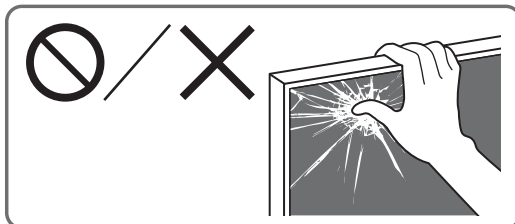
- 6 Τραβήξτε τον βραχίονα της βάσης μέχρι τέρμα.



Προετοιμασία για την τοποθέτηση της τηλεόρασης

Σημείωση

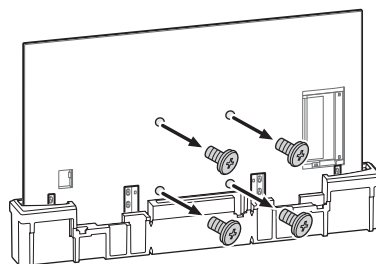
- Αποθηκεύστε τις βίδες που αφαιρέσατε και τα μη χρησιμοποιημένα εξαρτήματα σε ένα ασφαλές σημείο και φυλάξτε τα μακριά από παιδιά.



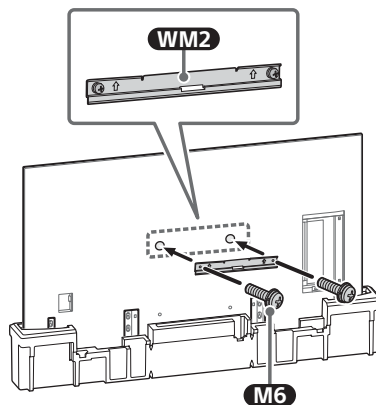
Εγκατάσταση της τηλεόρασης στο τοίχο από το χαρτόνι*1

*1 Μόνο για περιορισμένες περιοχές/χώρες/μοντέλα.

- 1 Αφαιρέστε τις βίδες από το πίσω μέρος της τηλεόρασης.

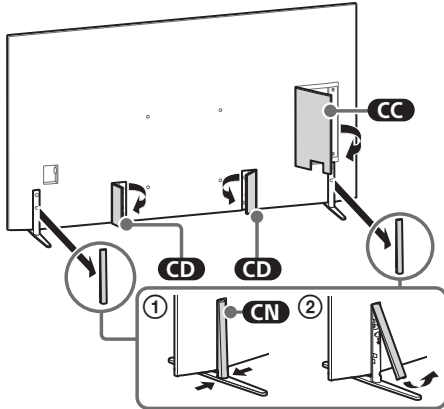


- 2 Τοποθετήστε το τμήμα **WM2** στην τηλεόραση χρησιμοποιώντας τις βίδες **M6**.

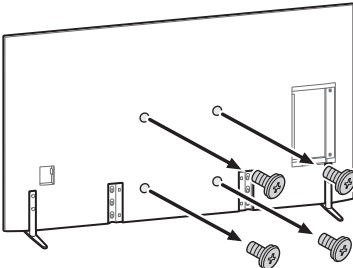


Εγκατάσταση της τηλεόρασης στο τοίχο από Βάση επιτραπέζιας τοποθέτησης

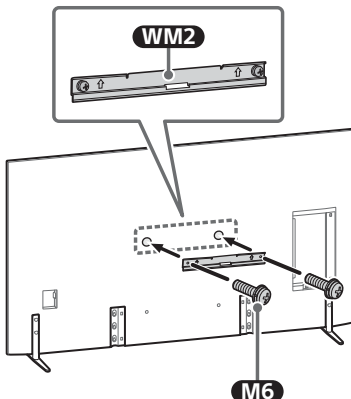
- 1 Αφαιρέστε τα καλύμματα της βάσης και τα καλύμματα ακροδεκτών.



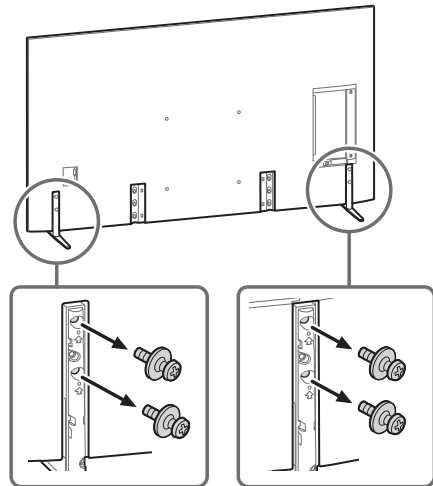
- 2 Αφαιρέστε τις βίδες από το πίσω μέρος της τηλεόρασης.



- 3 Τοποθετήστε το τμήμα **WM2** στην τηλεόραση χρησιμοποιώντας τις βίδες **M6**.



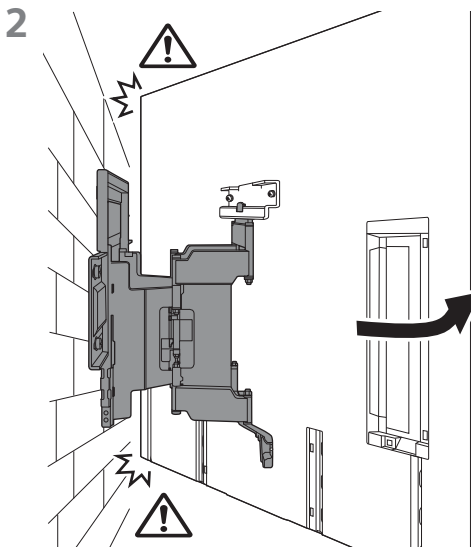
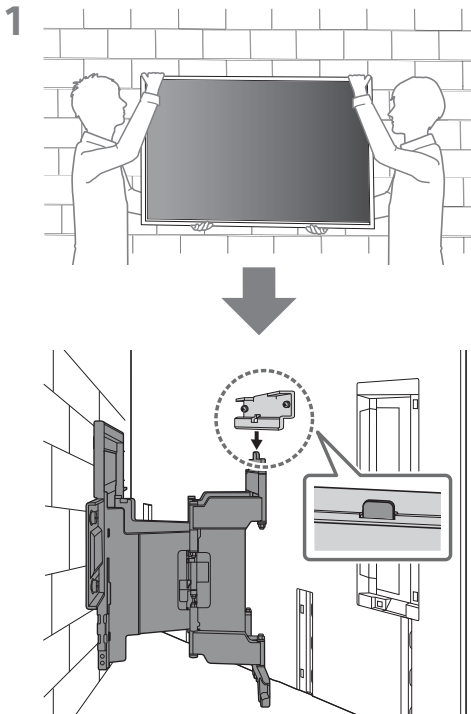
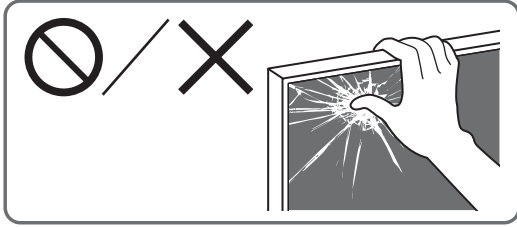
- 4 Αφαιρέστε τη Βάση επιτραπέζιας τοποθέτησης από την τηλεόραση.



Σημείωση

- Προσέχετε όταν σηκώνετε την τηλεόραση καθώς, επειδή έχει αφαιρεθεί η Βάση επιτραπέζιας τοποθέτησης, η Βάση μπορεί να πέσει και να προκληθεί τραυματισμός.
- Προσέχετε όταν αφαιρείτε τη Βάση επιτραπέζιας τοποθέτησης από την τηλεόραση ώστε να μην πέσει και προκαλέσει ζημιά στην επιφάνεια όπου στέκεται η τηλεόραση.

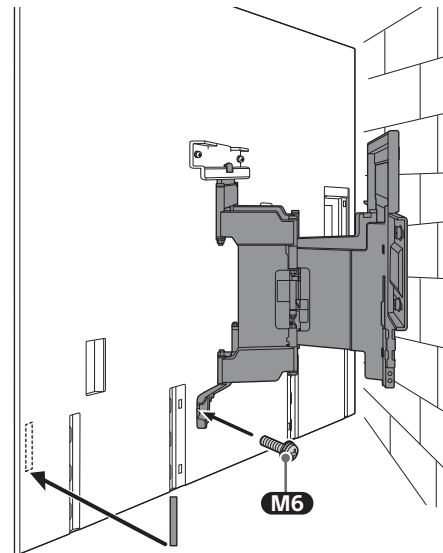
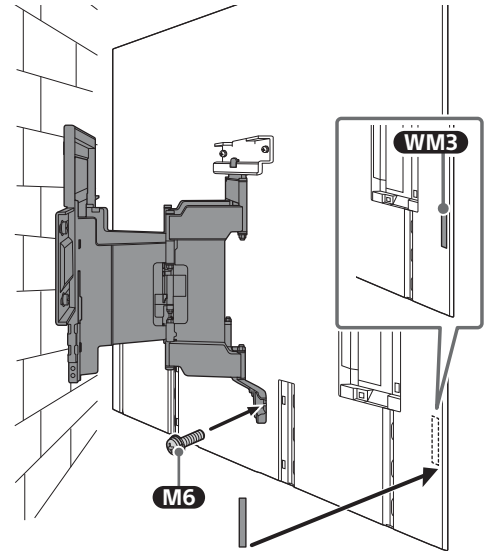
Τοποθέτηση της τηλεόρασης στον τοίχο

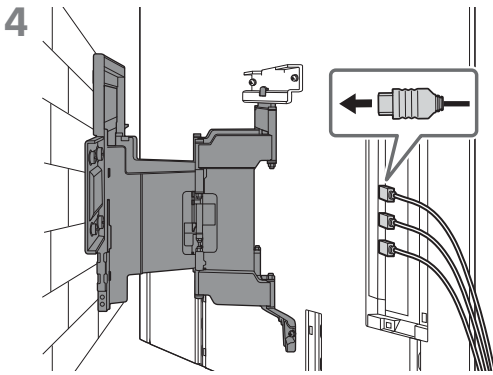


3 Βιδώστε την αριστερή και τη δεξιά πλευρά της Επιτοίχιας Βάσης χρησιμοποιώντας το **M6** και συνδέστε το **WMB3**.

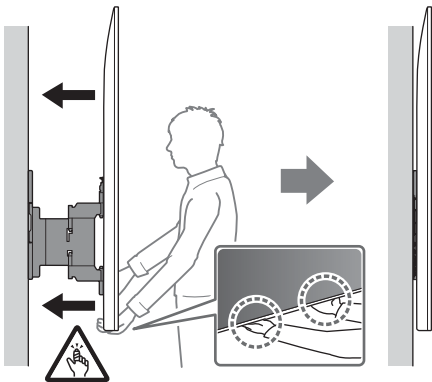
Σημείωση

- Μην τοποθετείτε το **WMB3** στις ετικέτες.



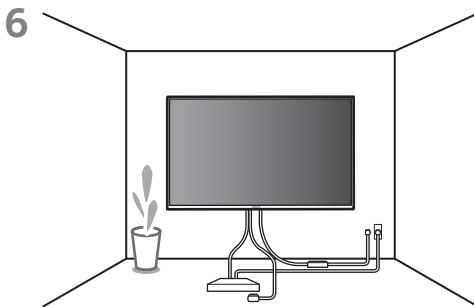


5 Όταν μετακινείτε την τηλεόραση, να την κρατάτε καλά από κάτω.



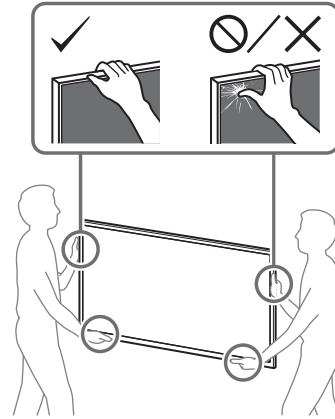
Σημείωση

- Η τηλεόραση ενδέχεται να μην κινείται κοντά στον τοίχο ανάλογα με τον τύπο και τον αριθμό των συνδεδεμένων καλωδίων. Αυτό δεν είναι δυσλειτουργία.



ΠΡΟΕΙΔΟΠΟΙΗΣΗ

- Για τη μεταφορά μιας μεγάλης τηλεόρασης απαιτούνται δύο ή περισσότερα άτομα (τρία ή περισσότερα άτομα για τηλεοράσεις 189,3 cm (75 ίντσες) και άνω) (εκτός από την Αίγυπτο). Για τη μεταφορά μιας μεγάλης τηλεόρασης απαιτούνται δύο ή περισσότερα άτομα (τρία ή περισσότερα άτομα για τηλεοράσεις 75 ίντσες (189,3 cm) και άνω) (μόνο για την Αίγυπτο).



Επαλήθευση της ολοκλήρωσης των εργασιών τοποθέτησης

Ελέγξτε τα παρακάτω σημεία.

- Το σχοινί και το καλώδιο δεν έχουν στρεβλωθεί ή συμπιεστεί.

ΠΡΟΕΙΔΟΠΟΙΗΣΗ

- Η λανθασμένη τοποθέτηση του καλωδίου τροφοδοσίας κλπ. μπορεί να προκαλέσει πυρκαγιά ή ηλεκτροπληξία λόγω βραχυκυκλώματος. Για λόγους ασφάλειας, βεβαιωθείτε ότι έχουν ολοκληρωθεί οι εργασίες τοποθέτησης.

Άλλες πληροφορίες

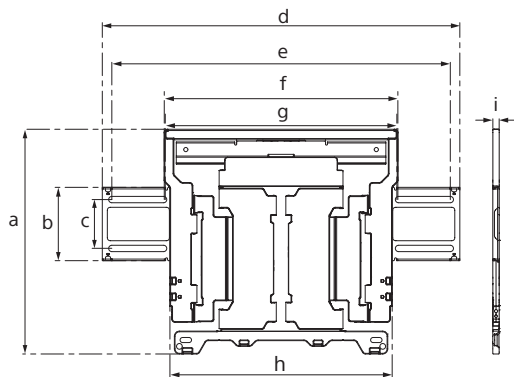
Κατά την αφαίρεση της τηλεόρασης, ακολουθήστε τα βήματα της διαδικασίας τοποθέτησης με την αντίστροφη σειρά.

ΠΡΟΕΙΔΟΠΟΙΗΣΗ

- Για τη μεταφορά μιας μεγάλης τηλεόρασης απαιτούνται δύο ή περισσότερα άτομα (τρία ή περισσότερα άτομα για τηλεοράσεις 189,3 cm (75 ίντσες) και άνω) (εκτός από την Αίγυπτο). Για τη μεταφορά μιας μεγάλης τηλεόρασης απαιτούνται δύο ή περισσότερα άτομα (τρία ή περισσότερα άτομα για τηλεοράσεις 75 ίντσες (189,3 cm) και άνω) (μόνο για την Αίγυπτο).

Τεχνικά χαρακτηριστικά

WM1



Διαστάσεις: (Περίπου) [mm]

a : 354

b : 116

c : 77

d : 563

e : 533

f : 370

g : 368

h : 350

i : 11

Βάρος (μόνο για τη βάση): (Περίπου)

[kg]

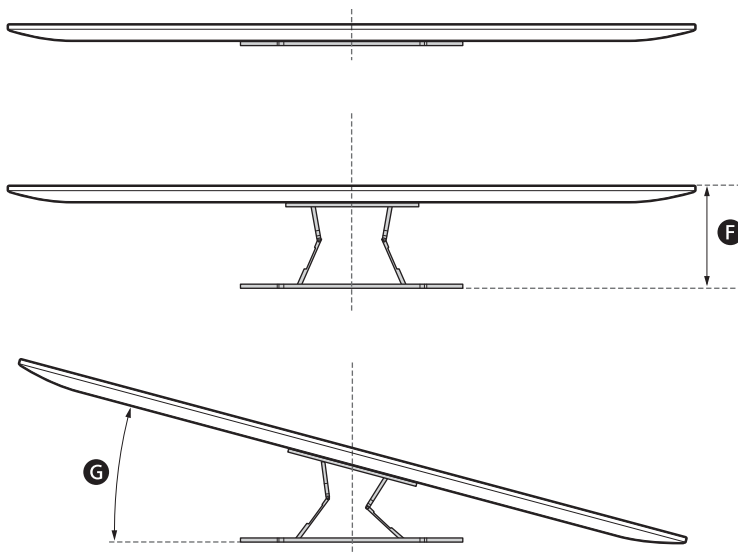
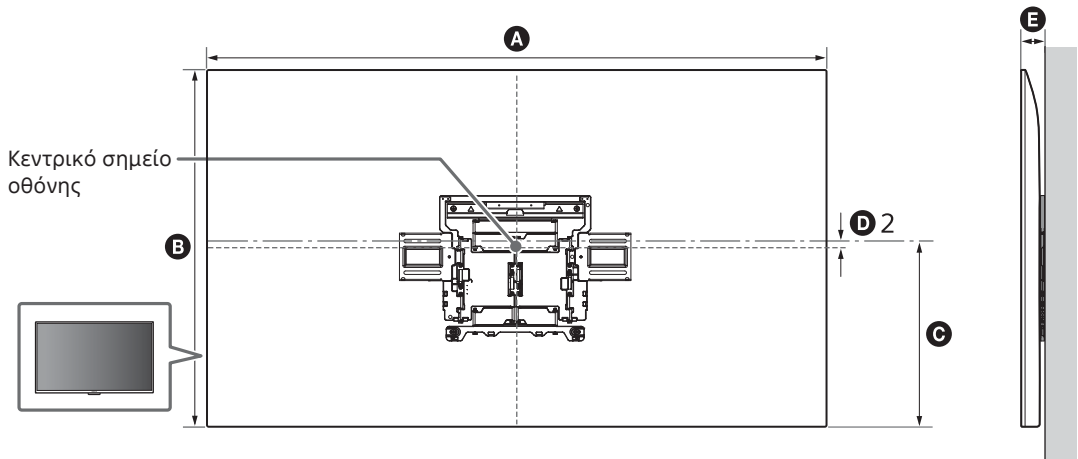
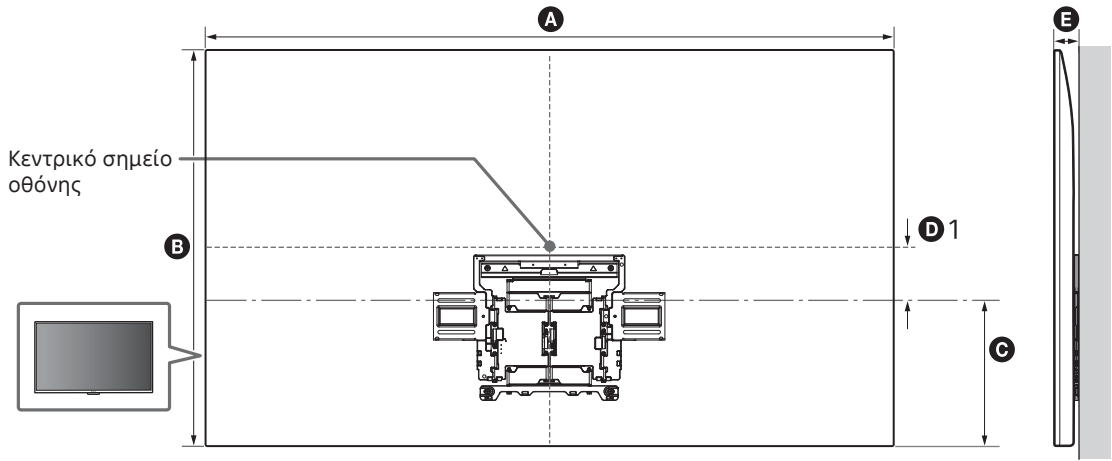
3,0

Ο σχεδιασμός και τα τεχνικά χαρακτηριστικά υπόκεινται σε αλλαγή χωρίς προειδοποίηση.

Αναφορές

Μέτρηση για τοποθέτηση Επιτοίχιας Βάσης στον τοίχο

Οι τιμές του πίνακα ενδέχεται να διαφέρουν ελαφρώς ανάλογα με την εγκατάσταση.



GR

(mm)

Όνομα μοντέλου	A	B	C	D 1	D 2	E	F ^{*1}	G ^{*1} (°)
K-77XR8x	1 713	984	362	139	-	48	251,4	12
K-65XR8x	1 442	829	362	57	-	48	250,8	17
K-55XR8x	1 223	706	362	-	3	48	250,8	19

*1 (Περίπου)

Sony Duvar Askı Aparatını Kullanma Hakkında Montaj Bilgileri (SU-WL850)

Desteklenen modeller*1:

*1 Gerçek model adlarında "x"/"xx", bir modele özgü numara ve/veya karakterleri ifade eder.

K-77XR8x / 65XR8x / 55XR8x

Müşterilerimize

Ürünü koruma ve güvenlik nedenleriyle, Sony TV'nizin montajının Sony satıcıları veya lisanslı yükleniciler tarafından gerçekleştirilmesini önemle önerir. Kendiniz kurmaya çalışmayın.

Sony Satıcıları ve Yüklenicilerine

Montaj, periyodik bakım ve bu ürünün incelenmesi sırasında güvenliğe son derece dikkat edin.

Özellikle duvarın TV'nin ağırlığına dayanacak kadar güçlü olup olmadığını belirlemek için bu ürünün montajı için yeterli derece uzmanlık gerekir. Bu ürünün duvara takılması konusunda Sony satıcılarına veya lisanslı yüklenicilere güvenin ve montaj sırasında güvenliğe yeterince dikkat edin. Sony, montajın yanlış yöntemle veya uygunsuz şekilde yapılmasından kaynaklanan hasar veya yaralanmalardan sorumlu değildir.

Güvenlik ve doğru kurulum için, Duvar Askı Aparatı Kullanım Talimatlarını, TV Kurulum Kılavuzunu ve bu kılavuzdaki talimatları izleyin.

Duvar Askı Aparatı

Güvenlik

Bu ürünü satın aldığınız için teşekkür ederiz.

Müşterilerimize

Televizyonu duvara monte etme



UYARI

PROFESYONEL MONTAJ GEREKLİDİR

Bu ürün; duvarın, televizyonun ağırlığını taşıyabilecek sağlamlıkta olduğunu belirlemek için gerekli eğitimi almış, profesyonel bir montör tarafından monte edilmelidir. Montaj sırasında sağlam şekilde sabitlenmezse televizyon düşebilir ve ciddi yaralanmalara neden olabilir. Sony yanlış taşıma veya montajdan veya belirtilen ürün dışında bir ürünün montajından kaynaklanabilecek hasarlar ve yaralanmalarla ilgili hiçbir sorumluluk kabul etmez. Yasal Haklarınız (varsa) etkilenmez.

Sony Bayilerine

Bu ürünü monte etmek için yeterli derecede uzmanlık gereklidir. Montaj işinin güvenli bir şekilde yapılması için mutlaka bu kullanım kılavuzunun tamamını okuyun. Sony, montajın yanlış yöntemle veya uygunsuz şekilde yapılmasından kaynaklanan hasarlardan veya yaralanmalardan sorumlu değildir. Montajdan sonra lütfen bu kılavuzu müşteriye verin.

Bu kullanım kılavuzunda ürünün doğru kullanımı ve kazaları önlemek için alınması gereken önemli tedbirler açıklanmaktadır. Bu kullanım kılavuzunda verilen tüm talimatların okunması, anlaşılması ve takip edilmesi kullanıcının sorumluluğundadır. Aksi takdirde ciddi yaralanmalar veya maddi hasar meydana gelebilir ve garanti geçersiz kalabilir. Bu kılavuzu ileride başvurmak için saklayın.

Sony ürünleri güvenliğe önem verilerek tasarlanmıştır. Ürünlerin yanlış kullanılması; yangın, elektrik çarpması, ürünün devrilmesi veya ürünün düşmesi sonucunda ciddi yaralanmaya neden olabilir. Bu gibi kazalar önlemek için güvenlik tedbirlerine mutlaka uyun.

PCB içermez

DİKKAT

Belirtilen ürünler

Bu Duvar Askı Aparatı belirtilen televizyonlarla kullanılacak şekilde tasarlanmıştır. Televizyonlar için, Duvar Askı Aparatının kullanılabilirliğini doğrulamak için televizyonların Başvuru Kılavuzuna bakın.

Müşterilerimize

UYARI

Aşağıdaki tedbirlerin alınmaması; yangın, elektrik çarpması veya ürünün düşmesi sonucunda ciddi yaralanmaya veya ölüme neden olabilir.

Montajı mutlaka lisanslı yüklenicilere yaptırın ve montaj sırasında küçük çocukları uzak tutun.

Duvar Askı Aparatı veya televizyon doğru monte edilmezse, aşağıdaki kazalar meydana gelebilir. Montajı mutlaka lisanslı yüklenicilere yaptırın.

- Televizyon düşebilir ve sıyrık veya kırık gibi ciddi bir yaralanmaya neden olabilir.
- Duvar Askı Aparatının monte edileceği duvar sabit değil, pürüzlü veya zemine dik değilse, ünite düşebilir ve yaralanmaya veya malın hasar görmesine neden olabilir. Duvar, televizyonun ağırlığının en az 6 katını taşıyabilecek sağlamlıkta olmalıdır. (Televizyonun ağırlığı için Başvuru Kılavuzuna bakın.)
- Duvar Askı Aparatının duvara montajının yeterli derecede sağlam yapılması, ünitenin düşmesine ve ciddi yaralanmaya veya malın hasar görmesine neden olabilir.

Televizyonun montajını veya demontajını mutlaka lisanslı yüklenicilere yaptırın.

Televizyonu lisanslı yüklenicilerin dışındaki kişiler taşırsa veya demonte ederse, televizyon düşebilir ve ciddi yaralanmaya veya malın hasar görmesine neden olabilir. Büyük bir televizyon setini taşımak için iki veya daha fazla kişi (189,3 cm (75 inç) ve üzeri televizyon için üç veya daha fazla kişi) gereklidir (Mısır hariç). Büyük bir televizyon setini taşımak için iki veya daha fazla kişi (75 inç (189,3 cm) ve üzeri televizyon için üç veya daha fazla kişi) gereklidir (yalnızca Mısır).

Televizyonu monte ettikten sonra vidaları, vb. çıkarmayın.

Çıkarırsanız, televizyon düşebilir ve ciddi yaralanmaya veya malın hasar görmesine neden olabilir.

Duvar Askı Aparatının parçalarında değişiklik yapmayın.

Değişiklik yaparsanız, Duvar Askı Aparatı düşebilir ve ciddi yaralanmaya veya malın hasar görmesine neden olabilir.

Belirtilen ürün dışındaki ekipmanları sökmeyin.

Bu Duvar Askı Aparatı yalnızca belirtilen ürünle kullanılacak şekilde tasarlanmıştır. Belirtilen ürünün dışında ekipman monte ederseniz, düşebilir veya kırılabilir ve ciddi yaralanmaya veya malın hasar görmesine neden olabilir.

Duvar Askı Aparatına televizyon dışında bir yük yüklemeyin. Televizyonu sola/sağa, yukarı/aşağı sallamayın.

Çıkarırsanız, televizyon düşebilir ve ciddi yaralanmaya veya malın hasar görmesine neden olabilir.

Televizyona dayanmayın veya asılmayın.

Televizyon üzerinize düşebileceğinden ve ciddi yaralanmaya neden olabileceğinden televizyona dayanmayın veya asılmayın.

DİKKAT

Aşağıdaki tedbirler alınmazsa, ciddi yaralanma veya malda hasar ortaya çıkabilir.

- Duvar Askı Aparatını taşıırken veya televizyonu yerleştirirken parmaklarınızı sıkıstırmamaya dikkat edin.
- Televizyonu döndürürken dikkatli olun ve etraftaki insanlara vurmamaya çalışın.
- Kullanılmayan parçaları daha sonra kullanmak üzere güvenli bir yerde sakladığınızdan emin olun. Bunları çocukların ulaşmayacakları bir yerde saklayın.

Temizleme veya bakım sırasında ürüne aşırı güç uygulamayın.

Televizyonun üst kenarına aşırı güç uygulamayın. Çıkarırsanız, televizyon düşebilir ve ciddi yaralanmaya veya malın hasar görmesine neden olabilir.

TR

Bu ürünü tıbbi cihazlara yakın yerleştirmeyin.

Bu ürün (aksesuarlar dahil) kalp pilleri, hidrosefali tedavisi için programlanabilir şant valfleri veya başka tıbbi cihazlara müdahale edebilecek miknatıslar içerir. Bu ürünü, söz konusu tıbbi cihazları kullanan kişilere yakın yerleştirmeyin. Bu tür herhangi bir tıbbi cihaz kullanıyorsanız bu ürünü kullanmadan önce doktorunuza danışın.

Çocukların veya gözetim altındaki kişilerin ulaşamayacağı yerlerde saklayın.

Bu ürün (aksesuarlar dahil) miknatıslar içerir. Miknatısların yutulması, boğulma tehlikesi veya bağırsak hasarları gibi ciddi zarara neden olabilir. Miknatıslar (veya miknatıslar) yutulursa derhal bir doktora başvurun.

Tedbirler

- Televizyonu Duvar Askı Aparatı takılı olarak uzun süre kullanırsanız, duvarın yapıldığı malzemeye bağlı olarak arkadaki duvarda veya televizyonun üstünde renk değişimi olabilir veya duvar kağıdı yerinden çıkabilir.
- Duvar Askı Aparatı duvara monte edildikten sonra çıkarılırsa, vida delikleri kalır.
- Duvar Askı Aparatını mekanik titreşimlere maruz kalan bir yerde kullanmayın.

Duvar Askı Aparatını Monte Etme

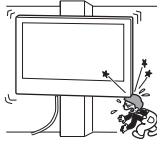
Sony Bayilerine

UYARI

Aşağıdaki talimatlar yalnızca Sony bayileri içindir. Bu ürünün montajı, bakımı ve kontrolü sırasında, yukarıda belirtilen güvenlik tedbirlerini okuduğunuzdan ve güvenliğe özellikle önem verdiğinizden emin olun.

Duvar Askı Aparatını televizyonun köşelerinin veya kenarlarının duvar yüzeyinden çıkıntı yaptığı duvar yüzeylerine monte etmeyin.

Duvar Askı Aparatını televizyonun köşelerinin veya kenarlarının duvar yüzeyinden çıkıntı yaptığı, kolon gibi duvar yüzeylerine monte etmeyin. Bir kişi veya nesne televizyonun çıkıntı yapan köşesine veya kenarına çarparsa, yaralanma veya mal hasarı ortaya çıkabilir.

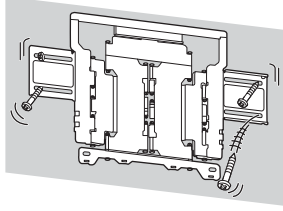


Televizyonu klimanın üzerine veya altına monte etmeyin.

Televizyon klimadan gelen su sızıntısı veya hava akımına uzun süre maruz kalırsa, yangın, elektrik çarpması veya televizyonda arıza meydana gelebilir.

Duvar Askı Aparatını duvara bu kullanım kılavuzundaki talimatlara göre sağlam bir şekilde monte ettiğinizden emin olun.

Vidalardan biri gevşerse veya çıkarsa, Duvar Askı Aparatı düşebilir ve ciddi yaralanmaya veya mal hasarına neden olabilir. Duvar malzemesi için uygun vidalar kullanın ve 8 mm çapında (veya eşdeğer) dört vida kullanarak üniteyi sağlam bir şekilde monte edin.



Birlikte verilen vidaları ve ek parçaları bu kullanım kılavuzundaki talimatlara göre doğru bir şekilde kullandığınızdan emin olun. Başka parçalar kullanırsanız, televizyon düşebilir ve bedensel yaralanmaya veya televizyonun hasar görmesine neden olabilir.

Aparatı bu kullanım kılavuzunda açıklanan prosedüre göre doğru bir şekilde monte ettiğinizden emin olun.

Vidalardan biri gevşer veya çıkarsa, televizyon düşebilir ve bedensel yaralanmaya veya televizyonun hasar görmesine neden olabilir.

Vidaları gösterilen konumda iyice sıkıştırdığınızdan emin olun.

Bu yapılmazsa, televizyon düşebilir ve bedensel yaralanmaya veya televizyonun hasar görmesine neden olabilir.

Montaj sırasında televizyonu darbeye maruz bırakmamaya dikkat edin.

Televizyon darbeye maruz bırakılırsa, düşebilir veya parçalarına ayrılabilir. Bu, yaralanmaya neden olabilir.

Televizyonu dik ve düz bir duvara monte ettiğinizden emin olun.

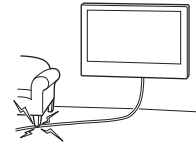
Bu yapılmazsa, televizyon düşebilir ve yaralanmaya neden olabilir.

Televizyon doğru şekilde monte edildikten sonra, kabloları doğru şekilde sabitleyin.

Kişiler veya nesnelere kablolarla takılırsa, yaralanma veya televizyonda hasar ortaya çıkabilir.

AC güç kablosunun veya bağlantı kablosunun sıkışmasına izin vermeyin.

AC güç kablosu veya bağlantı kablosu ünite ile duvar arasında sıkıştırsa veya güç uygulanarak bükülür veya kıvrılırsa, iç iletkenler ortaya çıkabilir ve bu durum, kısa devreye veya elektrik kesilmesine neden olabilir. Bu durum, yangına veya elektrik çarpmasına neden olabilir.



Duvar Askı Aparatını duvara sabitlemek için gereken vidalar ürünle birlikte verilmez.

Duvar Askı Aparatını monte ederken duvar malzemesi ve yapısı için uygun vidaları kullanın.

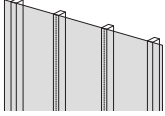
Başlamadan önce

- Bu kılavuzda gösterilen Televizyon resimleri, işlemlere dair net açıklamalar sağlamak için kullanılan örneklerdir. Bu nedenle, resimler gerçek Televizyonunuzdan farklı görünebilir.

Duvarınızın malzemesi nedir?

Öncelikle, TV'nin monte edileceği duvarın tipini kontrol edin.

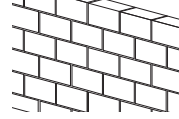
Saplama vidaları bulunan kuru duvar



Tedbirler

- Maksimum kuru duvar kalınlığı: 16 mm.
- İç ahşap saplama vidasının boyutunun genel için 51 mm × 102 mm ve nominal için 38 mm × 89 mm olduğundan emin olun.
- Bağlantı elemanları arasında minimum 406 mm'lik yatay boşluk bırakın.

İç Dolu Beton veya Beton Blok



Tedbirler

- Duvar Askı Aparatını doğrudan içi dolu beton duvara monte edin.
- İçi dolu beton duvarın en az 203 mm kalınlıkta olduğundan emin olun.
- Her bir beton bloğun en az 203 mm × 203 mm × 406 mm boyutunda olduğundan emin olun.

Parçaları kontrol etme



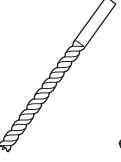
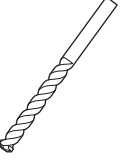
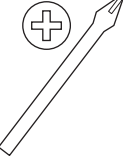
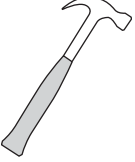
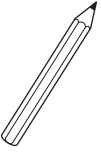
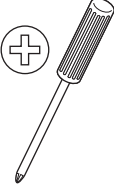
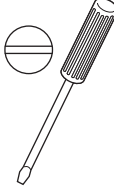
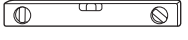



SU-WL850 ile birlikte verilir

- Tüm parçaların bulunduğundan emin olun.

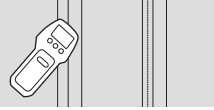
WM1 (x1) 	WM2 (x1) 	WM3 (x4)
M6 (x4) 	WT1 (x6) 	

Montaj için hazırlanma

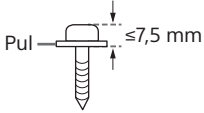
- Kurulumdan önce televizyonun Başvuru Kılavuzunu ve Kurulum Kılavuzunu hazır bulundurun.
- Televizyonunuzun montaj konumunu onaylayın.
- 8 mm çapında dört vida ve bunlara uygun dört pul temin edin (ürünle birlikte verilmez). Duvarın malzemesine uygun vidalar seçin.
- Aşağıdaki aletleri hazırlayın:

*1			 5,5 mm	 10 mm	
*2			 1,5 N·m {15 kgf·cm}	 1,5 N·m {15 kgf·cm}	
		*2  (x4)	*4  (x4) 8 mm x 60 mm	*4  (x4)	

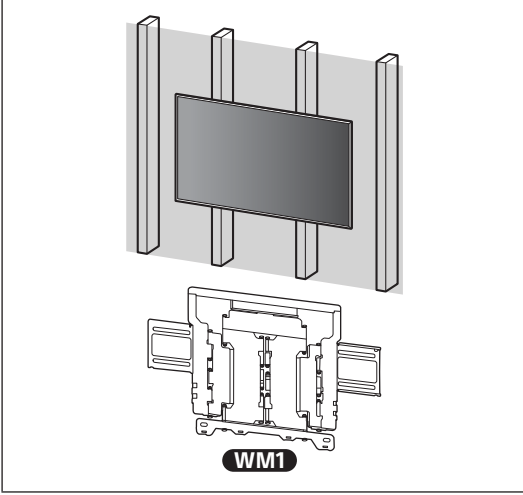
- *1 Sadece saplama vidaları içeren kuru duvarlar için



- *2 Sadece içi dolu beton veya beton blok duvarlar için
*3 Modele bağlı olarak
*4 Vidaları ve pulları seçerken dikkatli olun



A Duvar Askı Aparatını metal çerçeveli kuru duvara takma



Duvar Askı Aparatının duvara montajı

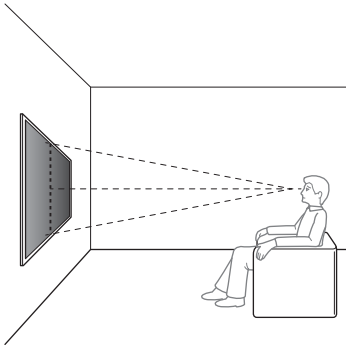
1 Montaj konumuna karar verin.

Duvarda TV için yeterince alan olduğundan ve duvarın TV'nin ağırlığının en az altı katı ağırlık taşıyabileceğinden emin olun.

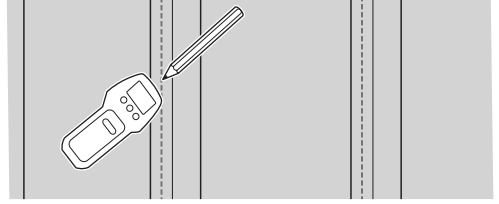
- 17. sayfadaki "Duvar Askı Aparatının duvara montajı için ölçüm" bölümüne başvurun.
- TV'nin ağırlığı için TV'nizin Başvuru Kılavuzuna bakın.

Not

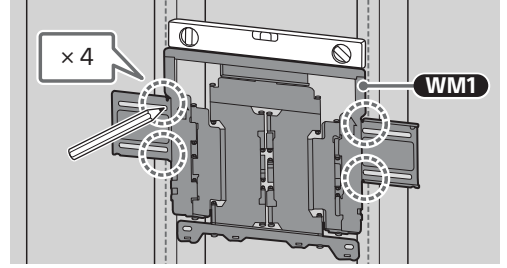
- TV'niz duvara monte edildiğinde, TV'nin üst tarafı öne doğru biraz eğilir.
- Kurulum konumunu televizyonu izleyeceğiniz yerden kontrol etmenizi öneririz.



2



3 WM1 'i duvara hizalayın ve vidaların denk geldiği dört noktayı işaretleyin.

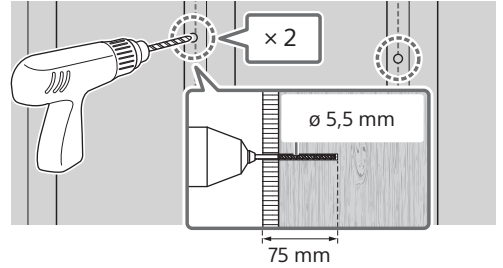


Not

- Bir su terazisi kullanarak WM1 'in düz durduğunu kontrol edin.

4 İşaretlediğiniz üst noktalara pilot delikler açın.

Duvarda deliklerin delineceği konumun TV'nin ağırlığının en az altı katını destekleyebilecek kadar yeterince güçlü olduğundan emin olun.

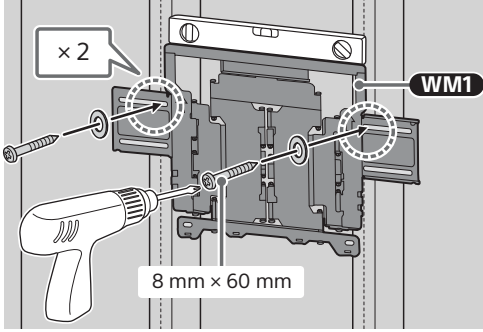


Not

- Pilot delikleri mutlaka 5,5 mm'lik matkap ucu kullanılarak en az 75 mm derinliğinde açılmalıdır.

TR

- 5 **WM1** 'i uygun vidalar (ürünle verilmez) ve pullar (ürünle verilmez) kullanarak duvara monte edin.



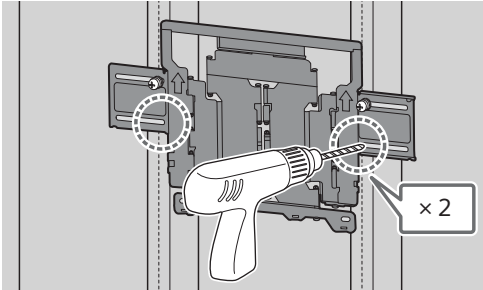
Not

- Bir su terazisi kullanarak **WM1** 'in düz durduğunu kontrol edin.

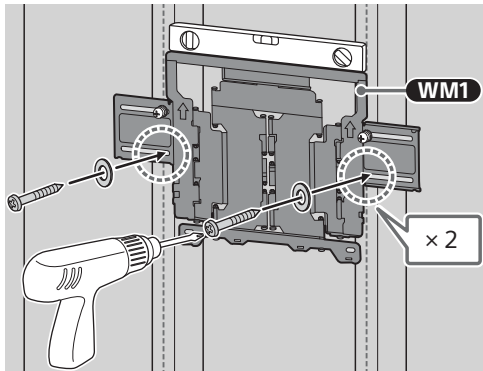
Önlem

- 8 mm x 60 mm ölçülü ahşap vidayı çok fazla sıkmayın. Hatalı şekilde sıkılırsa 8 mm x 60 mm ölçülü ahşap vidanın sıkma gücü azalabilir.

- 6 İşaretlediğiniz noktalara pilot delikleri açın. (Delik delme talimatları için adım 4'e bakın.)



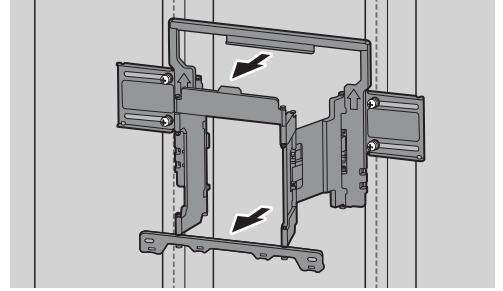
- 7 Deliklere uygun vidalar ve pullar takın.



Not

- Bir su terazisi kullanarak **WM1** 'in düz durduğunu kontrol edin.

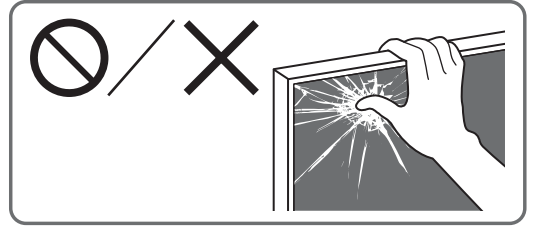
- 8 Aparatın kolunu sonuna kadar çekin.



Televizyonun montajı için hazırlanma

Not

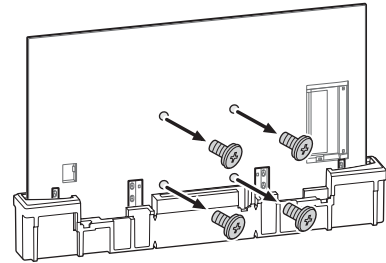
- Çıkarılan vidaları ve kullanılmayan parçaları çocuklardan uzak tutarak güvenli bir yerde depoladığınızdan emin olun.



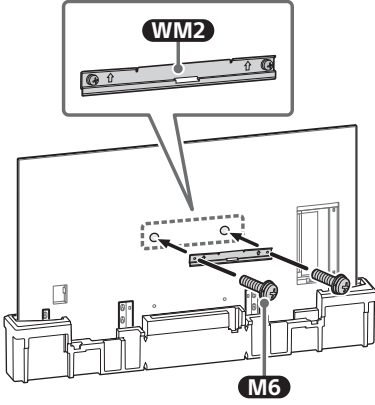
Televizyonun Karton*1 Kutudan Duvara monte edilmesi

*1 Sadece kısıtlı bölgede/ülkede/modelde.

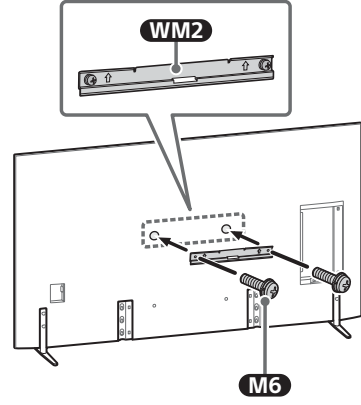
- 1 TV 'nin arkasındaki vidaları çıkarın.



2 **WM2**'yi **M6** kullanarak TV'ye takın.

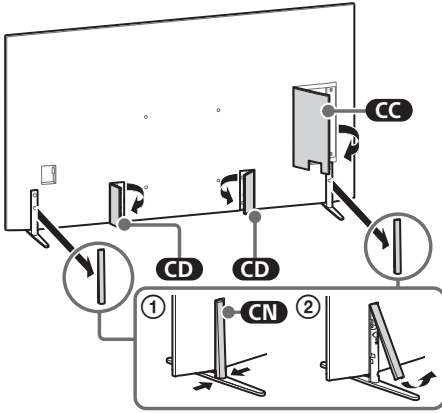


3 **WM2**'yi **M6** kullanarak TV'ye takın.

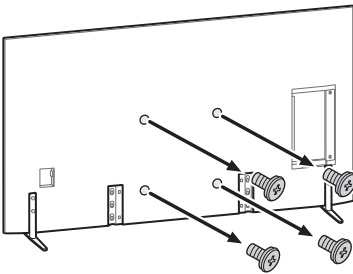


Televizyonun Masa Üstü Sehpasından Duvara monte edilmesi

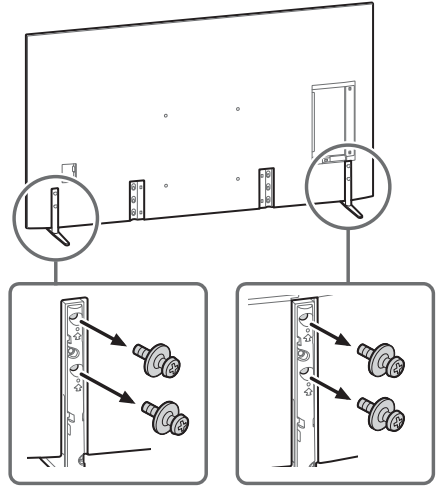
1 Stand kapaklarını ve terminal kapaklarını çıkarın.



2 TV'nin arkasındaki vidaları çıkarın.



4 Masa Üstü Sehpasını televizyondan sökün.

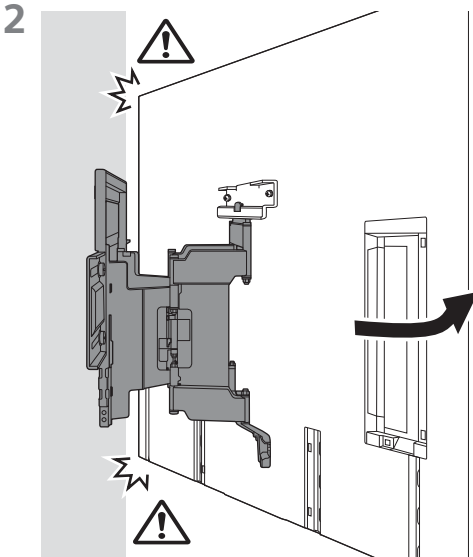
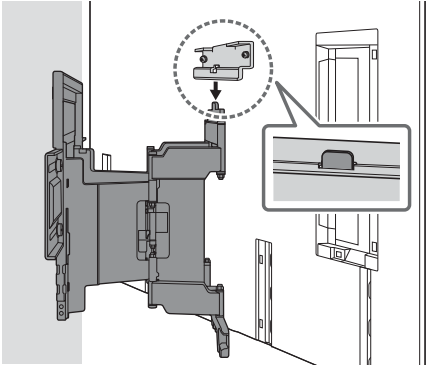
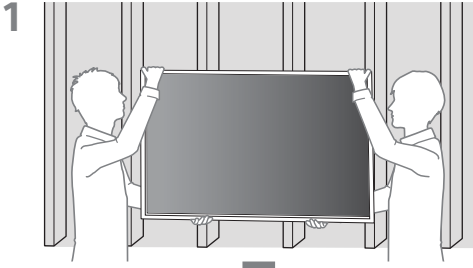
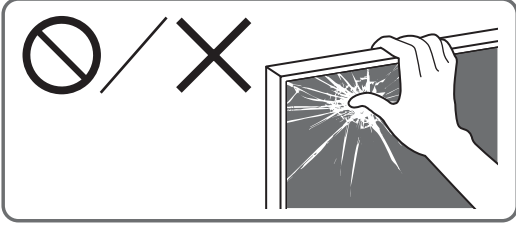


Not

- Masa Üstü Sehpası sökme işlemi sırasında televizyonu kaldırırken dikkatli olun; Masa Üstü Sehpası devrilebilir ve yaralanmalara neden olabilir.
- Masa Üstü Sehpasını televizyondan sökürken çıkarırken devrilmemesi ve televizyonun oturduğu yüzeye zarar vermemesi için dikkatli olun.

TR

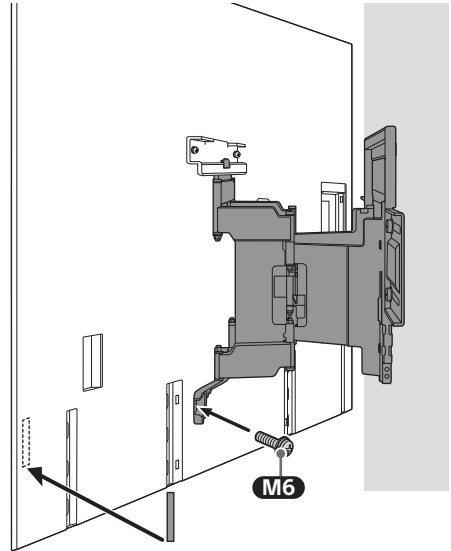
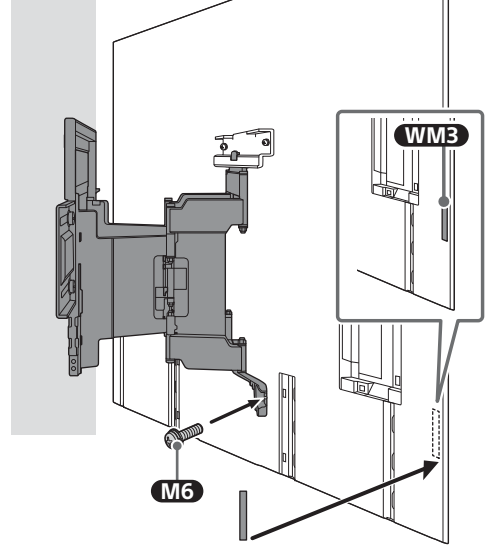
Televizyonu duvara monte etme

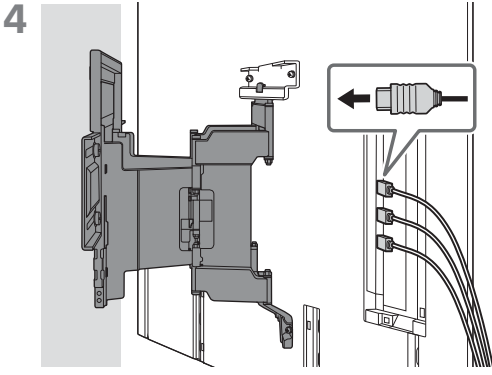


3 Duvar Askı Aparatının sol ve sağ tarafını **M6** kullanarak vidalayın ve **WM3** takın.

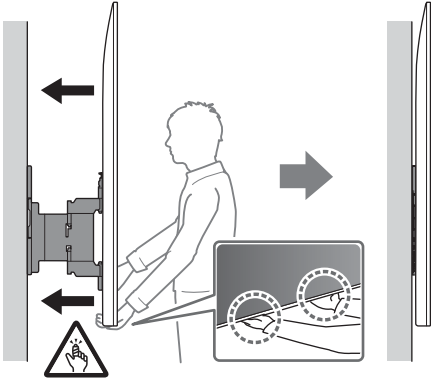
Not

- **WM3** ü etiketlere takmayın.



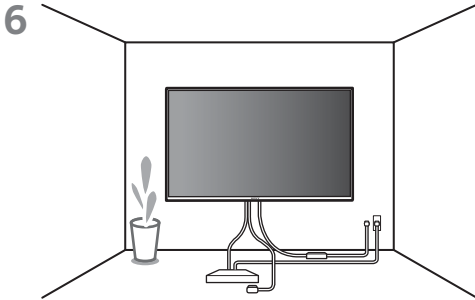


5 Televizyonu taşıırken altından sağlam şekilde tutun.



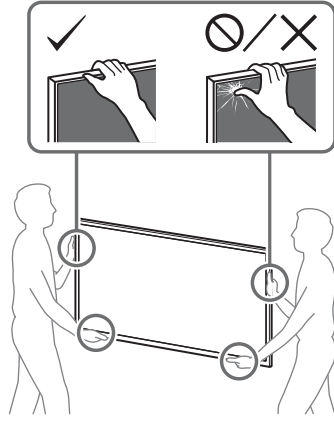
Not

- Birlikte verilen kabloların türüne ve sayısına bağlı olarak TV duvara yaklaşmayabilir. Bu bir arıza değildir.



UYARI

- Büyük bir televizyon setini taşımak için iki veya daha fazla kişi (189,3 cm (75 inç) ve üzeri televizyon için üç veya daha fazla kişi) gereklidir (Mısır hariç). Büyük bir televizyon setini taşımak için iki veya daha fazla kişi (75 inç (189,3 cm) ve üzeri televizyon için üç veya daha fazla kişi) gereklidir (yalnızca Mısır).



Montajın tamamlandığını onaylama

Aşağıdaki noktaları kontrol edin.

- Güç kablosu ve kablo bükülü veya sıkıştırılmış olmamalıdır.

UYARI

- AC güç kablosu vb.'nin yanlış yerleştirilmesi, kısa devreye ve dolayısıyla yangına veya elektrik çarpmasına neden olabilir. Montajın güvenli bir şekilde tamamlandığından emin olun.

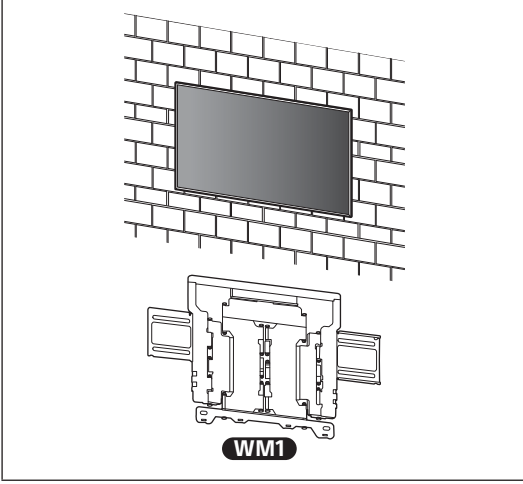
Diğer bilgiler

Televizyonu çıkarırken, önceki kurulum prosedürünü ters yönde izleyin.

UYARI

- Büyük bir televizyon setini taşımak için iki veya daha fazla kişi (189,3 cm (75 inç) ve üzeri televizyon için üç veya daha fazla kişi) gereklidir (Mısır hariç). Büyük bir televizyon setini taşımak için iki veya daha fazla kişi (75 inç (189,3 cm) ve üzeri televizyon için üç veya daha fazla kişi) gereklidir (yalnızca Mısır).

B Duvar Askı Aparatının içi dolu beton veya beton blok duvarlara montajı



Duvar Askı Aparatının duvara montajı

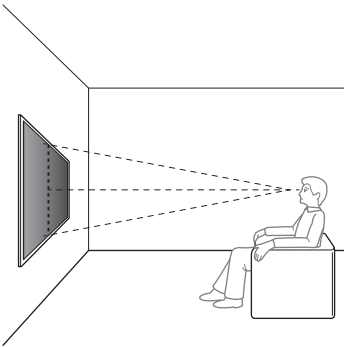
1 Montaj konumuna karar verin.

Duvarda TV için yeterince alan olduğundan ve duvarın TV'nin ağırlığının en az altı katı ağırlık taşıyabileceğinden emin olun.

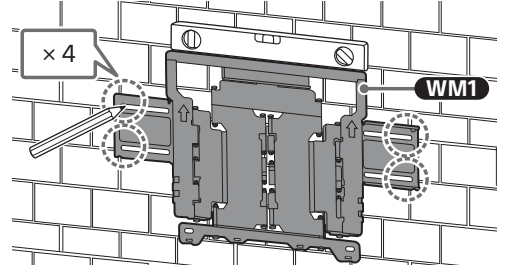
- 17. sayfadaki "Duvar Askı Aparatının duvara montajı için ölçüm" bölümüne başvurun.
- TV'nin ağırlığı için TV'nizin Başvuru Kılavuzuna bakın.

Not

- TV'niz duvara monte edildiğinde, TV'nin üst tarafı öne doğru biraz eğilir.
- Kurulum konumunu televizyonu izleyeceğiniz yerden kontrol etmenizi öneririz.



2 WM1 'i duvara hizalayın ve dört noktayı işaretleyin.

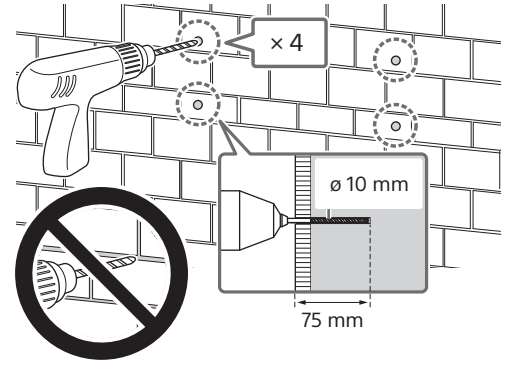


Not

- Bir su terazisi kullanarak WM1 'in düz durduğunu kontrol edin.

3 İşaretlerin bulunduğu noktalara kılavuz delikleri delin.

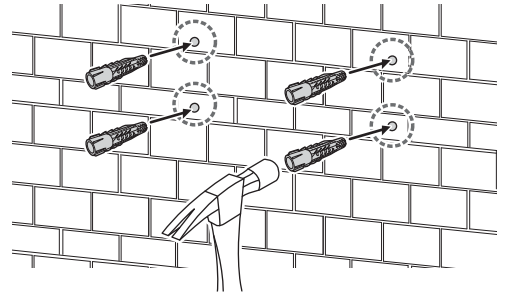
Duvarda deliklerin delineceği konumun TV'nin ağırlığının en az altı katını destekleyebilecek kadar yeterince güçlü olduğundan emin olun.



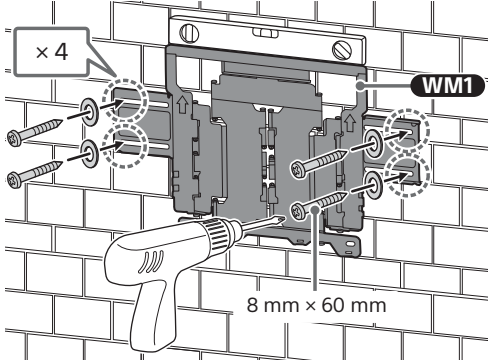
Not

- Pilot delikleri mutlaka 10 mm'lik matkap ucu kullanılarak en az 75 mm derinliğinde açılmalıdır.

4



- 5 **WM1** 'i uygun vidalar (ürünle verilmez) ve pullar (ürünle verilmez) kullanarak duvara monte edin.



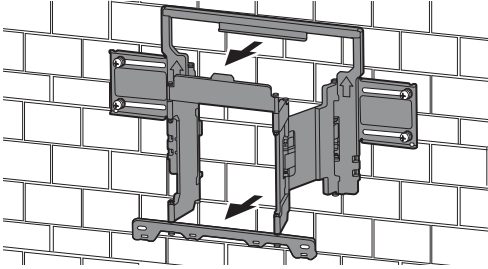
Not

- Bir su terazisi kullanarak **WM1** 'in düz durduğunu kontrol edin.

Önlem

- 8 mm x 60 mm ölçülü ahşap vidayı çok fazla sıkmayın. Hatalı şekilde sıkılırsa 8 mm x 60 mm ölçülü ahşap vidanın sıkma gücü azalabilir.

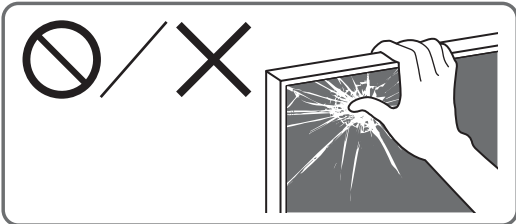
- 6 Aparatın kolunu sonuna kadar çekin.



Televizyonun montajı için hazırlanma

Not

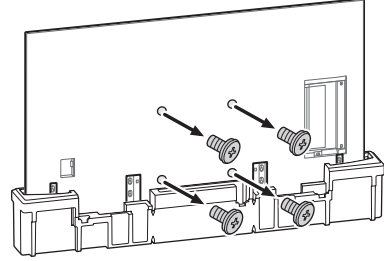
- Çıkarılan vidaları ve kullanılmayan parçaları çocuklardan uzak tutarak güvenli bir yerde depoladığınızdan emin olun.



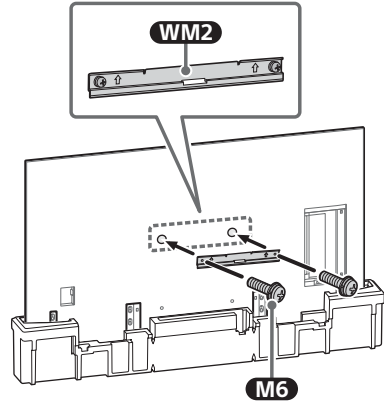
Televizyonun Karton*1 Kutudan Duvara monte edilmesi

*1 Sadece kısıtlı bölgede/ülkede/modelde.

- 1 TV 'nin arkasındaki vidaları çıkarın.

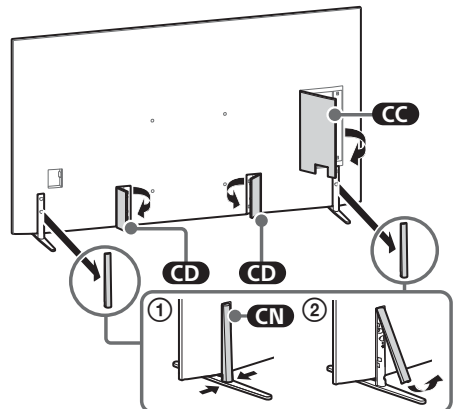


- 2 **WM2** 'yi **M6** kullanarak TV'ye takın.

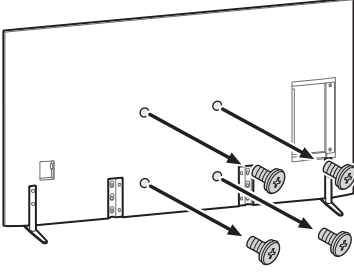


Televizyonun Masa Üstü Sehpasından Duvara monte edilmesi

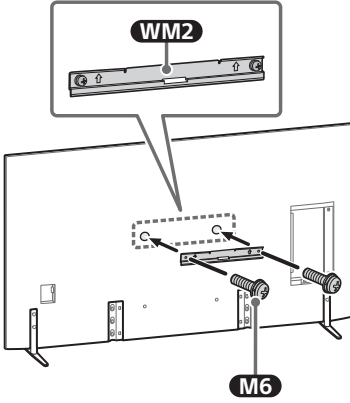
- 1 Stand kapaklarını ve terminal kapaklarını çıkarın.



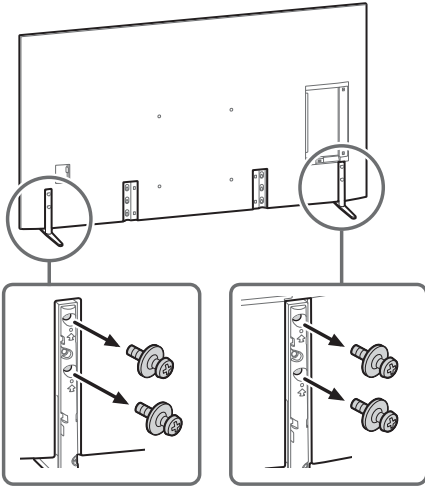
2 TV'nin arkasındaki vidaları çıkarın.



3 WM2'yi M6 kullanarak TV'ye takın.



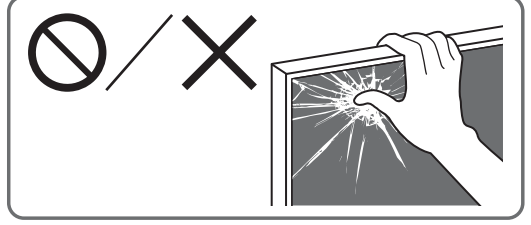
4 Masa Üstü Sehpasını televizyondan sökün.



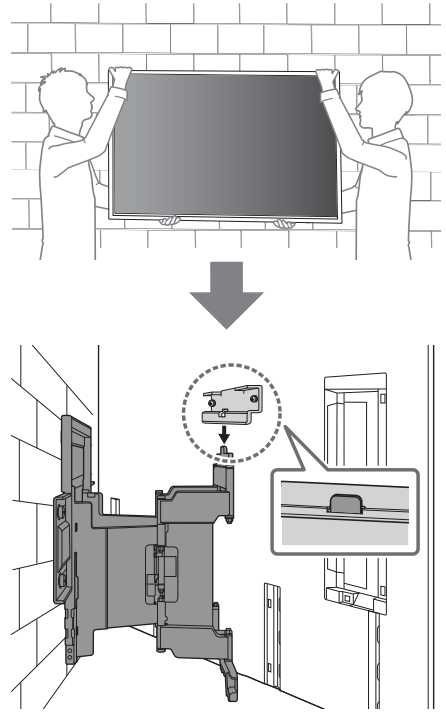
Not

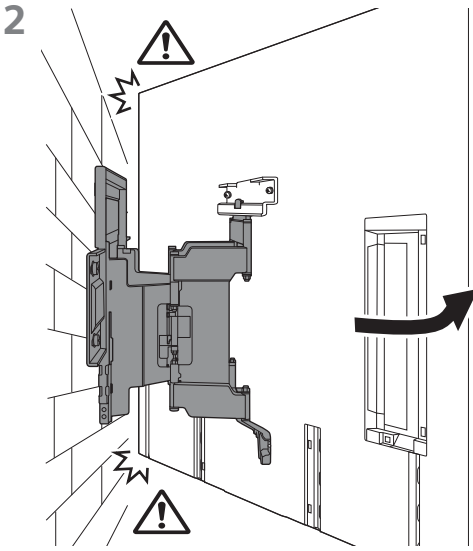
- Masa Üstü Sehpası sökme işlemi sırasında televizyonu kaldırırken dikkatli olun; Masa Üstü Sehpası devrilebilir ve yaralanmalara neden olabilir.
- Masa Üstü Sehpasını televizyondan sökerken çıkarırken devrilmemesi ve televizyonun oturduğu yüzeye zarar vermemesi için dikkatli olun.

Televizyonu duvara monte etme



1

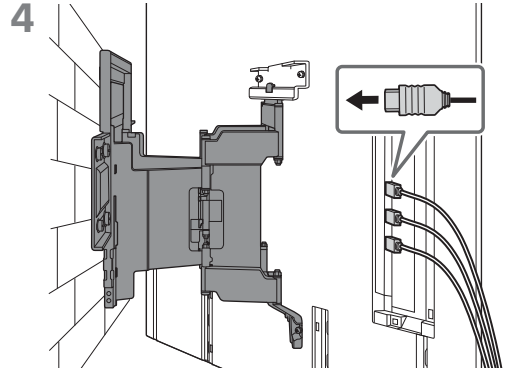
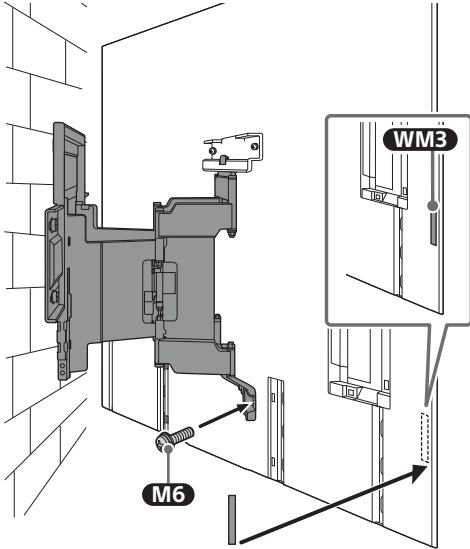




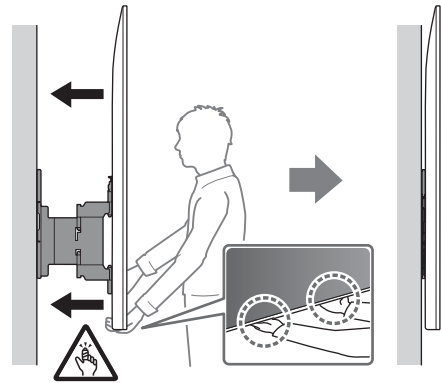
3 Duvar Askı Aparatının sol ve sağ tarafını **M6** kullanarak vidalayın ve **WM3** takın.

Not

- **WM3**'ü etiketlere takmayın.

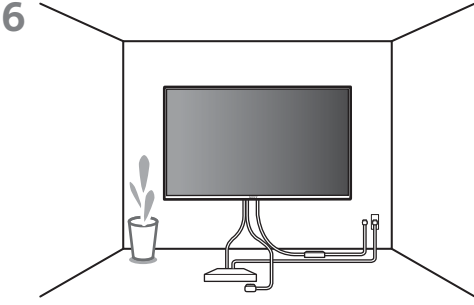


5 Televizyonu taşıırken altından sağlam şekilde tutun.



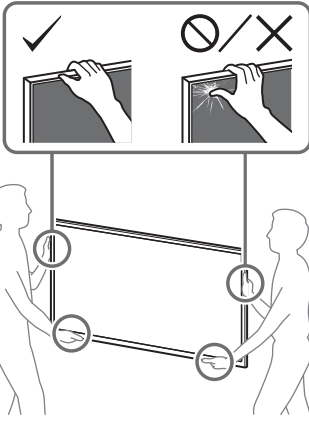
Not

- Birlikte verilen kabloların türüne ve sayısına bağlı olarak TV duvara yaklaşmayabilir. Bu bir arıza değildir.



UYARI

- Büyük bir televizyon setini taşımak için iki veya daha fazla kişi (189,3 cm (75 inç) ve üzeri televizyon için üç veya daha fazla kişi) gereklidir (Mısır hariç). Büyük bir televizyon setini taşımak için iki veya daha fazla kişi (75 inç (189,3 cm) ve üzeri televizyon için üç veya daha fazla kişi) gereklidir (yalnızca Mısır).



Montajın tamamlandığını onaylama

Aşağıdaki noktaları kontrol edin.

- Güç kablosu ve kablo bükülü veya sıkıştırılmış olmamalıdır.

UYARI

- AC güç kablosu vb.'nin yanlış yerleştirilmesi, kısa devreye ve dolayısıyla yangına veya elektrik çarpmasına neden olabilir. Montajın güvenli bir şekilde tamamlandığından emin olun.

Diğer bilgiler

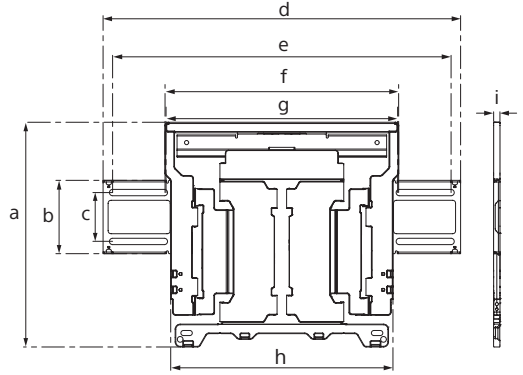
Televizyonu çıkarırken, önceki kurulum prosedürünü ters yönde izleyin.

UYARI

- Büyük bir televizyon setini taşımak için iki veya daha fazla kişi (189,3 cm (75 inç) ve üzeri televizyon için üç veya daha fazla kişi) gereklidir (Mısır hariç). Büyük bir televizyon setini taşımak için iki veya daha fazla kişi (75 inç (189,3 cm) ve üzeri televizyon için üç veya daha fazla kişi) gereklidir (yalnızca Mısır).

Teknik Özellikler

WM1



Boyutlar: (Yakl.) [mm]

- a : 354
b : 116
c : 77
d : 563
e : 533
f : 370
g : 368
h : 350
i : 11

Ağırlık (yalnızca taban): (Yakl.) [kg]

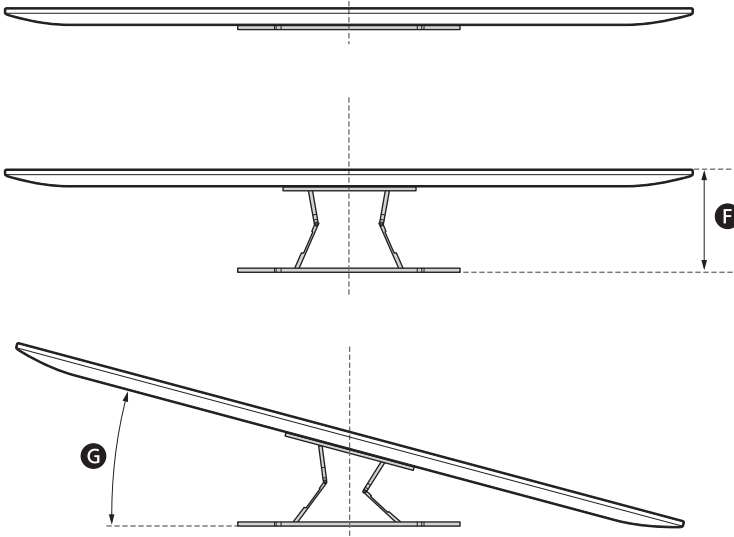
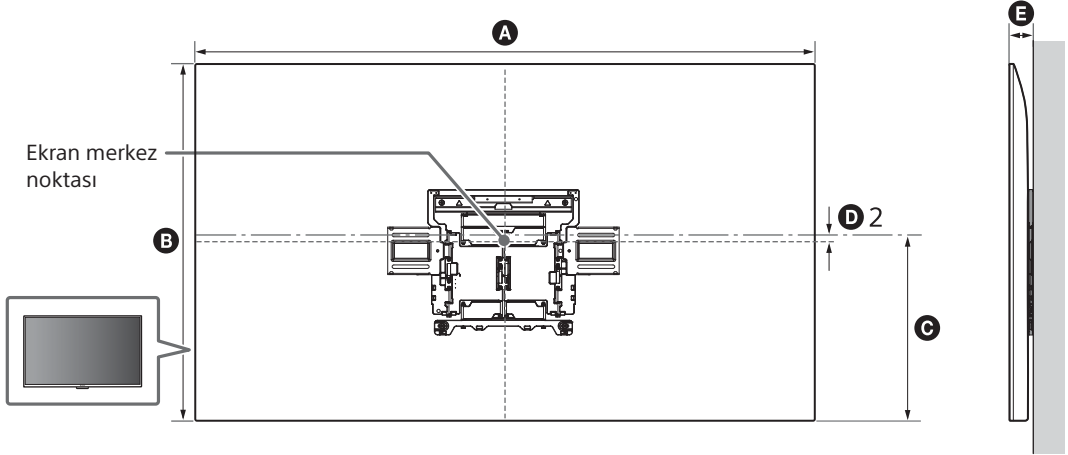
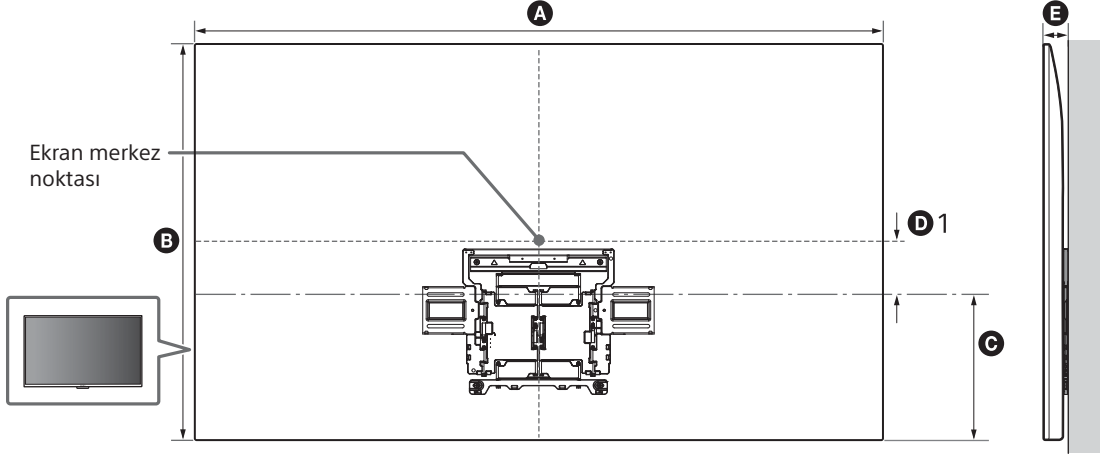
3,0

Tasarım ve teknik özellikler, önceden bildirilmeksizin değişikliğe tabidir.

Referanslar

Duvar Askı Aparatının duvara montajı için ölçüm

Tablodaki şekiller montaja bağlı olarak biraz değişebilir.



(mm)

Model adı	A	B	C	D 1	D 2	E	F ^{*1}	G ^{*1} (°)
K-77XR8x	1 713	984	362	139	-	48	251,4	12
K-65XR8x	1 442	829	362	57	-	48	250,8	17
K-55XR8x	1 223	706	362	-	3	48	250,8	19

*1 (Yakl.)

Szerelési információk a Sony fali konzol (SU-WL850) használatához

Támogatott modellek*1:

*1 Az adott típusnévben szereplő „x” / „xx” a típusra jellemző számokat és/vagy karaktereket jelöli.

K-77XR8x / 65XR8x / 55XR8x

Vásárlóink figyelmébe

Termék- és baleset-biztonsági okokból a Sony azt tanácsolja, hogy a tv-készülék üzembe helyezését Sony viszonteladó vagy alvállalkozó hajtsa végre. Ne kísérelje meg a termék önálló felszerelését.

Sony viszonteladók és alvállalkozók figyelmébe

A termék üzembe helyezésekor, rendszeres karbantartásakor és vizsgálatakor maradéktalanul tartson be minden biztonsági óvintézkedést.

A készülék felszerelése megfelelő szaktudást igényel, különösen a tv-készülék súlyát tartó fal teherbírásának megállapítását illetően. A készülék falra rögzítését mindig bízza Sony viszonteladóra vagy alvállalkozóra, és szereléskor ügyeljen a biztonságra. A Sony nem vállal felelősséget a gondatlan vagy szakszerűtlen szerelésből eredő személyi sérülésekért vagy anyagi károkért.

A biztonság és a megfelelő felszerelés érdekében kövesse a fali konzol kezelési útmutatóját, a TV-beállítási útmutatót és a jelen kézikönyv utasításait.

Fali konzol

Biztonság

Köszönjük, hogy ezt a készüléket vásárolta meg.

Vásárlóink figyelmébe

A tv felszerelése a falra



FIGYELMEZTETÉS

PROFESSZIONÁLIS SZERELÉS SZÜKSÉGES

A tartót csak professzionális szerelő szerelheti fel, aki képes annak eldöntésére, hogy a fal teherbírása megfelelő-e a TV-készülék súlyának megtartásához. Ha a tartó rögzítése nem megfelelő, akkor a TV leeshet és súlyos sérülést okozhat. A Sony nem tehető felelőssé a helytelen kezelés, nem megfelelő felszerelés, vagy a megadott terméktől eltérő termék felszerelése miatti anyagi károkért vagy személyi sérülésekért. Az Ön törvényes jogait (ha vannak) ez nem érinti.

Sony viszonteladók számára

A termék felszereléséhez megfelelő tapasztalat szükséges. A biztonságos munkavégzés érdekében alaposan olvassa el ezt a használati útmutatót. A Sony nem tehető felelőssé a helytelen kezelés és szerelés miatt bekövetkezett semmilyen kárért vagy sérülésért. Kérjük, a szerelés befejezése után ezt az útmutatót adja át a fogyasztónak.

Ez a használati útmutató a termék helyes kezelését, illetve a fontos balesetvédelmi intézkedéseket mutatja be. Kérjük, hogy olvassa el és értesse meg a használati útmutatót, valamint tartsa be az összes benne szereplő utasítást. Ennek elmulasztása súlyos személyi sérülést és anyagi kárt okozhat, és a jótállást is semmissé teheti. A későbbi használat céljára őrizze meg ezt az útmutatót.

A Sony termékeinek tervezése a biztonság szem előtt tartásával történik. A termékek helytelen használata azonban súlyos égési sérülést, áramütést okozhat, a termék feldőlhet vagy leeshet. Az ilyen balesetek elkerülése érdekében tartsa be a biztonsági előírásokat.

VIGYÁZAT

Meghatározott termékek

Ez a fali konzol a megadott tv-készülékekhez használható. Tv-készülékek esetében a használható fali konzol típusát a készülék Felhasználói útmutatója tartalmazza.

Vásárlóink figyelmébe

FIGYELMEZTETÉS

A következő biztonsági előírások be nem tartása súlyos égési sérülést, halált, áramütést okozhat, a termék pedig leeshet.

A szerelést erre felhatalmazott vállalkozó végezze, és a gyerekeket tartsa távol a szerelés helyszínétől.

A fali konzol vagy a tv-készülék helytelen felszerelése esetén a következő balesetek következhetnek be. A szerelést felhatalmazott vállalkozónak kell végeznie.

- A tv-készülék leeshet, és súlyos sérülést, zúzódást vagy törést okozhat.
- Ha a fal, amelyre a fali konzolt felszerelik, nem stabil, egyenetlen, vagy nem merőleges a padlózatra, akkor a készülék leeshet, és személyi sérülést vagy anyagi kárt okozhat. A falnak képesnek kell lennie a TV súlyának hatszorosát kitevő súly megtartására. (A tv-készülék súlyát lásd a készülék Felhasználói útmutatójában.)
- Ha a fali konzol felerősítése nem eléggé erős, akkor a készülék leeshet, és személyi sérülést vagy anyagi kárt okozhat.

A tv-készülék szállítását és levételét erre felhatalmazott vállalkozó végezze.

Ha a tv-készülék szállítását vagy levételét nem felhatalmazott vállalkozó végzi, a készülék leeshet, és személyi sérülést vagy anyagi kárt okozhat. Két vagy több személyre (189,3 cm (75 hüvelyk) vagy ennél nagyobb TV esetén három vagy több személyre) van szükség egy nagyméretű TV-készülék szállításához (kivéve Egyiptom). Két vagy több személyre (75 hüvelyk (189,3 cm) vagy ennél nagyobb TV esetén három vagy több személyre) van szükség egy nagyméretű TV-készülék szállításához (csak Egyiptom).

A tv-készülék felerősítése után ne távolítsa el a csavarokat stb.

Ellenkező esetben a tv-készülék leeshet, és személyi sérülést vagy anyagi kárt okozhat.

A fali konzolt ne szerelje szét, és az alkatrészeit ne változtassa meg.

Ekkor a fali konzol leeshet, és személyi sérülést vagy anyagi kárt okozhat.

A fali konzolra csak a megadott készüléket erősítse fel.

Ez a fali konzol csak a megadott készülékekhez használható. Más készülék felerősítése esetén a készülék leeshet, eltörhet, és személyi sérülést vagy anyagi kárt okozhat.

A fali konzolra csak a tv-készüléket erősítse fel. Ne rázza a tv-t jobbra/balra, felfelé/lefelé.

Ellenkező esetben a tv-készülék leeshet, és személyi sérülést vagy anyagi kárt okozhat.

Ne támaszkodjon a tv-készülékre, és ne kapaszkodjon bele.

Ne támaszkodjon a TV-re, és ne kapaszkodjon bele, mert az Önre eshet, és súlyos sérülést okozhat.

VIGYÁZAT

Az alábbi biztonsági előírások be nem tartása személyi sérülést vagy anyagi kárt okozhat.

- Ügyeljen arra, hogy a fali konzol kezelésekor vagy a TV-készülék forgatásakor ne csúpjá be az ujját.
- A TV-készüléket óvatosan fordítsa el, hogy ne üsse meg a közelben tartózkodókat.
- A nem használt alkatrészeket őrizze meg a későbbi felhasználás céljára. Tartsa őket gyerekek elől elzárva.

A készülék tisztítása vagy karbantartása során ne alkalmazzon túl nagy erőt.

Ne nyomja meg nagy erővel a tv-készülék felső részét. Ellenkező esetben a tv-készülék leeshet, és személyi sérülést vagy anyagi kárt okozhat.

A készüléket ne helyezze orvosi eszközök közelébe.

A készülék (beleértve a kiegészítőit) mágneset vagy mágneseket tartalmaz, amelyek zavart okozhatnak a szívritmus-szabályozók, a programozható hydrocephalus sóntszelepek és egyéb orvosi eszközök működésében. A készüléket ne helyezze ilyen orvosi eszközöket használó személy közelébe. Ha ilyen orvosi eszközöket használ, a készülék használata előtt kérje ki kezelőorvosa tanácsát.

Gyermekektől és felügyeletre szoruló személyektől távol tartandó.

A készülék (beleértve a kiegészítőit) mágneset vagy mágneseket tartalmaz. A mágnesek lenyelése komoly veszélyt jelenthet, például fulladás vagy bélsérülések veszélyét. Ha valaki mágneset nyelt le, haladéktalanul orvoshoz kell fordulni.

Biztonsági előírások

- Ha a fali konzolra erősített tv-készüléket hosszú ideig használja, akkor a fal anyagától függően a tv-készülék mögött vagy felett elszíneződhet a fal felület, a tapéta leválhat.
- Ha a fali konzolt leszereli, a csavarfuratok megmaradnak.
- Ne használja a fali konzolt olyan helyen, ahol mechanikai rezgésnek lehet kitéve.

A fali konzol felszerelése

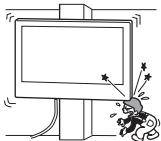
Sony vizonteladók számára

FIGYELMEZTETÉS

A következő útmutatások csak a Sony vizonteladók számára szólnak. Feltétlenül olvassa el a fenti biztonsági előírásokat, és a készülék felszerelése, karbantartása és ellenőrzése során fokozottan ügyeljen a biztonságra.

A fali konzolt ne szerelje fel olyan helyen, ahol a tv-készülék sarkai vagy oldalai kilóghatnak a fal síkjából.

A fali konzolt ne szerelje fel olyan falfelületre, például oszlopra, ahol a tv-készülék sarkai vagy oldalai kilóghatnak a fal síkjából. Ha egy személy vagy tárgy a tv-készülék kiálló sarkába vagy oldalába ütközik, az személyi sérülést vagy anyagi kárt okozhat.

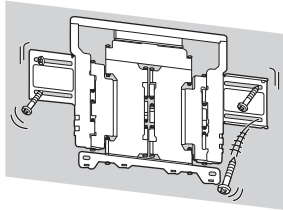


A tv-készüléket ne szerelje légkondicionáló alá vagy fölé.

Ha a TV-t a légkondicionálóból csepegő víz éri vagy hosszú ideig ki van téve a légkondicionáló levegőáramának, az tüzet ill. áramütést okozhat, vagy a TV meghibásodását okozhatja.

Ügyeljen a fali konzol ennek a használati útmutatónak megfelelő, biztonságos falra rögzítésére.

Ha bármelyik csavar laza, vagy kiesik, akkor a fali konzol leeshet, és személyi sérülést vagy anyagi kárt okozhat. Ügyeljen arra, hogy a fal anyagának megfelelő csavarokat használja, és a készüléket a négy 8 mm-es (vagy ezekkel egyenértékű) csavarokat biztonságosan rögzítse.



A mellékelt csavarokat és csatlakozóelemeket használja, és tartsa be a használati útmutató utasításait. Ha más alkatrészeket használ, akkor a tv-készülék leeshet, és személyi sérülést okozhat, vagy a tv-készülék megsérülhet.

A fali konzolt a használati útmutató utasításainak szigorú betartásával, helyesen szerelje össze.

Ha valamelyik csavar laza, vagy kiesik, akkor a tv-készülék leeshet, és személyi sérülést okozhat, vagy megsérülhet.

A megfelelő pozíciókban erősen húzza meg a csavarokat.

Ennek elmulasztása esetén a tv-készülék leeshet, és személyi sérülést okozhat, vagy megsérülhet.

Ügyeljen arra, hogy felszerelés közben ne érje ütés a tv-készüléket.

Ha a tv-készüléket ütés éri, akkor leeshet vagy eltörhet. Ez személyi sérülést okozhat.

A tv-készüléket olyan sík falra szerelje fel, amely merőleges a padlózatra.

Ellenkező esetben a tv-készülék leeshet, és személyi sérülést okozhat.

A tv-készülék helyes felerősítése után megfelelően rögzítse a kábeleket.

Ha a kábelek emberbe vagy tárgyakra gabalyodnak, az személyi sérülést okozhat, és a tv-készülék megrongálódhat.

Ügyeljen arra, hogy a hálózati kábel vagy a csatlakozókábelek ne csipődjenek be.

Ha a hálózati kábel vagy az összekötő kábelek a készülék és a fal közé csipődnek, illetve erőszakosan meghajlítják vagy megszarják őket, akkor a belső vezetékek szabadon válhatnak, és rövidzárlat vagy szakadás következhet be. Ez tüzet vagy áramütést okozhat.



A fali konzol falra erősítéséhez szükséges csavarok nincsenek mellékelve.

A fali konzol falra erősítéséhez használja a fal anyagának és szerkezetének megfelelő csavarokat.

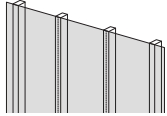
A felszerelés megkezdése előtt

- A jelen útmutatóban foglalt, TV-t ábrázoló ábrák példaként szolgálnak, hogy egyértelmű magyarázatot nyújtsanak a műveletekről. Ezért előfordulhat, hogy az ábrák nem egyeznek az Ön TV-jével.

Mi a fal anyaga?

Először is ellenőrizze a fal típusát, amelyre fel szeretné szerelni a TV-készüléket.

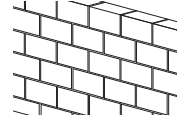
Gipszkarton, oszlopfákkal



Biztonsági előírások

- Gipszkarton fal maximális vastagsága: 16 mm.
- Ellenőrizze, hogy a belső oszlopfa mérete legalább általánosan 51 mm × 102 mm, vagy névlegesen 38 mm × 89 mm legyen.
- A rögzítési pontok közötti vízszintes távolság legalább 406 mm legyen.

Tömör beton, vagy betonelem



Biztonsági előírások

- A fali konzolt közvetlenül a tömör betonfalra erősítse.
- Ellenőrizze, hogy a tömör betonfal vastagsága legalább 203 mm legyen.
- Ellenőrizze, hogy minden egyes betonelem mérete legalább 203 mm × 203 mm × 406 mm legyen.

Az alkatrészek ellenőrzése



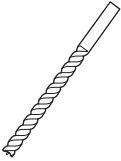
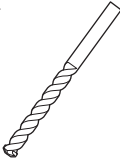
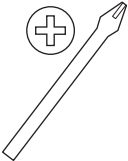
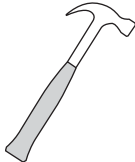
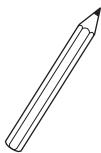

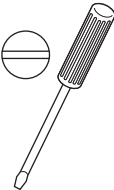
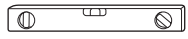



A SU-WL850 modellhez mellékelve

- Ellenőrizze, hogy minden alkatrész megtalálható-e.

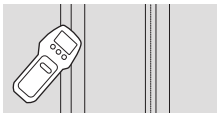
WM1 (x1) 	WM2 (x1) 	WM3 (x4)
M6 (x4) 	WT1 (x6) 	

A felszerelés előkészületei

- A felszerelés előtt készítse elő a TV Felhasználói útmutatóját és Beállítási útmutatóját.
- Döntse el, hol helyezkedjen el a tv-készülék.
- Készítsen elő négy darab 8 mm-es csavart és hozzá illő alátétet (nincs mellékelve). A fal anyagának megfelelő csavarokat válasszon.
- Készítse elő az alábbi szerszámokat:

*1 		 5,5 mm	 10 mm	
*2 		 1,5 N·m {15 kgf·cm}	*3  1,5 N·m {15 kgf·cm}	
	*2  (x4)	*4  (x4) 8 mm × 60 mm	*4  (x4)	

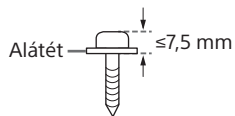
*1 Csak gipszkarton fal esetén, oszlopfákkal



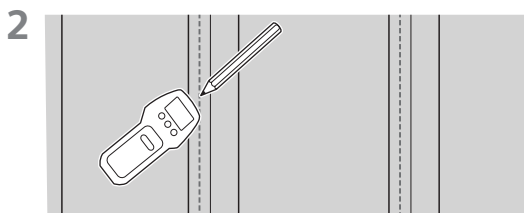
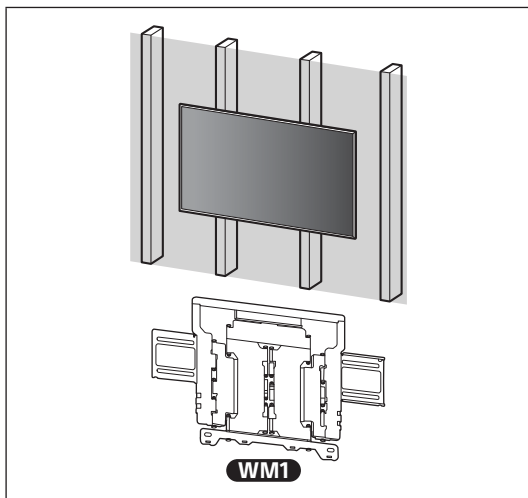
*2 Csak tömör beton, vagy betonelemekből álló fal esetén

*3 Típustól függően

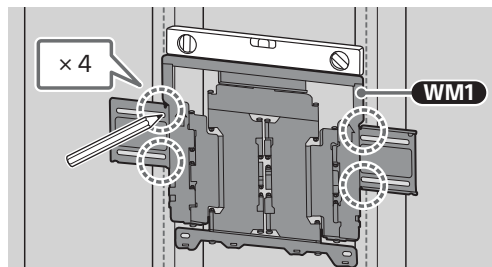
*4 A csavarokat és alátéteket gondosan válassza meg



A A fali konzol csatlakoztatása a gipszkartonhoz, oszlopfákkal



3 A **WM1** elemet illessze a falra, és az oszlopfákhoz igazítva jelölje ki a négy furat helyét.



Megjegyzés

- Vízszintessel ellenőrizze a **WM1** vízszintes helyzetét.

A fali konzol falra szerelése

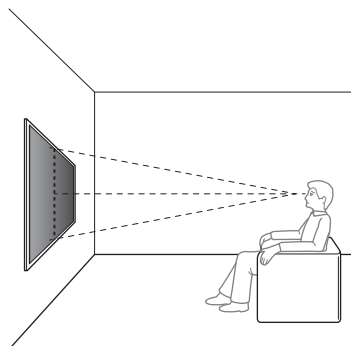
1 Határozza meg a felszerelés helyét.

Győződjön meg arról, hogy a falon elegendő hely van a TV-nek, illetve hogy a fal legalább a TV súlyának hatszorosát képes megtartani.

- Tekintse meg a „Mérés a fali konzol falra szereléséhez” c. részt a 18. oldalon.
- A tv-készülék súlyát lásd a készülék Felhasználói útmutatójában.

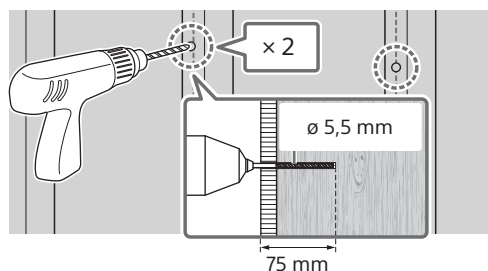
Megjegyzés

- Ha a tv-készüléket falra szereli, a tv felső oldala enyhén előre dől.
- Javasoljuk, hogy arról a helyről ellenőrizze a TV helyzetét, ahonnan nézni fogják.



4 A jelölések helyén fúrja ki a felső vezetőfuratokat.

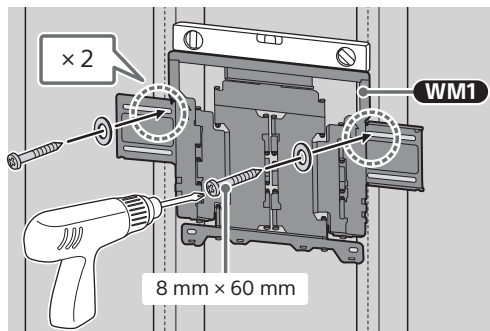
Győződjön meg arról, hogy a furatok helye a falon elég erős ahhoz, hogy megtartsa a TV súlyának legalább hatszorosát.



Megjegyzés

- A vezetőfuratok mélysége 75 mm, a fúrószerű átmérője 5,5 mm legyen.

- 5 A megfelelő csavarokkal (nincs mellékelve) és alátétekkel (nincs mellékelve) rögzítse a falra a **WM1** elemet.



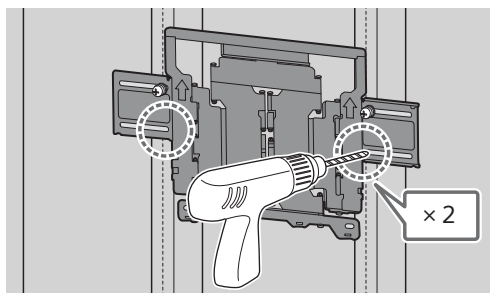
Megjegyzés

- Vízmértékkel ellenőrizze a **WM1** vízszintes helyzetét.

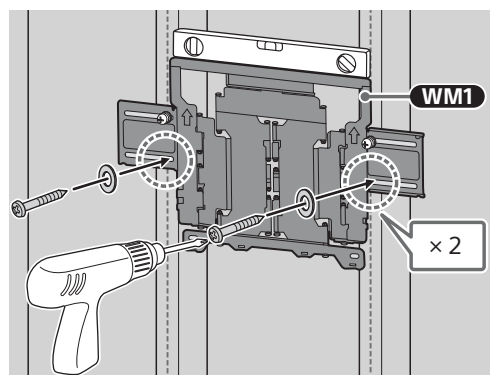
Figyelmeztetés

- Ne húzza meg túlságosan a 8 mm x 60 mm-es facsavart. A helytelen meghúzás csökkentheti a 8 mm x 60 mm-es facsavar tartóerejét.

- 6 A jelölések helyén fúrja ki az alsó vezetőfuratokat. (A fúrással kapcsolatban lásd a 4. lépést.)



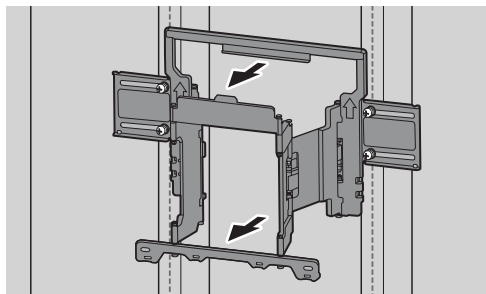
- 7 A megfelelő csavarokat és alátéteket illessze a furatokba.



Megjegyzés

- Vízmértékkel ellenőrizze a **WM1** vízszintes helyzetét.

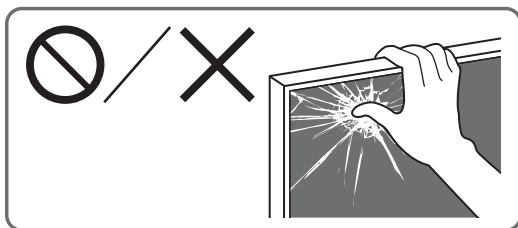
- 8 A végállásig húzza ki a konzol karját.



A televíziókészülék felszerelésének előkészítése

Megjegyzés

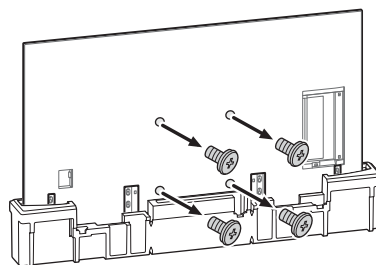
- Ügyeljen arra, hogy az eltávolított csavarokat és használaton kívüli részeket biztos helyen, gyermekek elől elzárva tárolja.



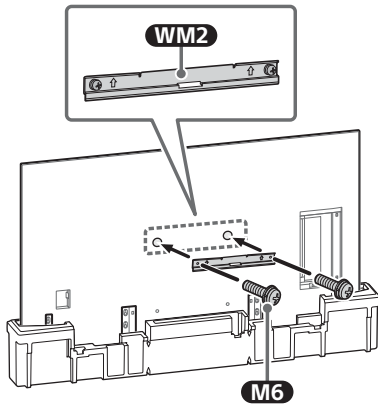
A frissen kicsomagolt TV falra szerelése*1

- *1 Csak egyes régiók/országok/típus esetén.

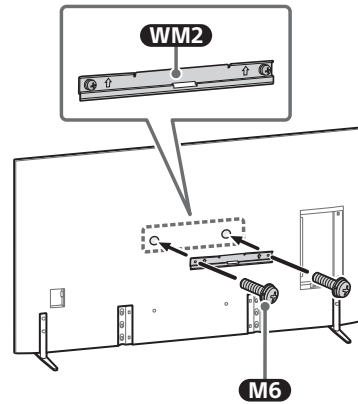
- 1 Távolítsa el a csavarokat a tv-készülék hátljáról.



2 Az **WM2** használatával rögzítse a **M6** elemet a TV-hez.

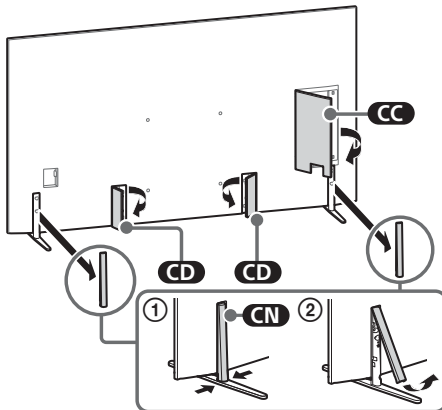


3 Az **WM2** használatával rögzítse a **M6** elemet a TV-hez.

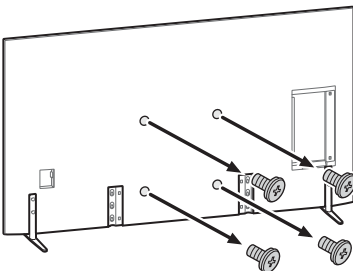


A frissen kicsomagolt TV falra szerelése az asztali állványról

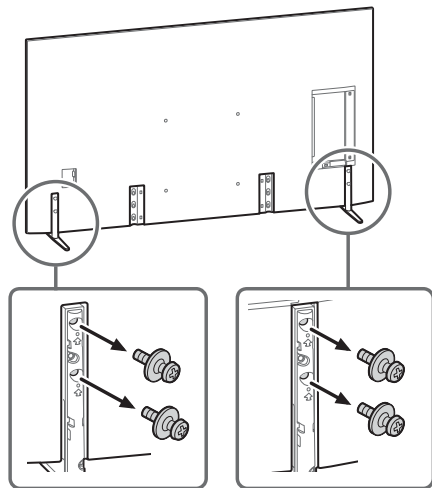
1 Távolítsa el az állvány borításait és a csatlakozófedeleket.



2 Távolítsa el a csavarokat a tv-készülék hátuljáról.



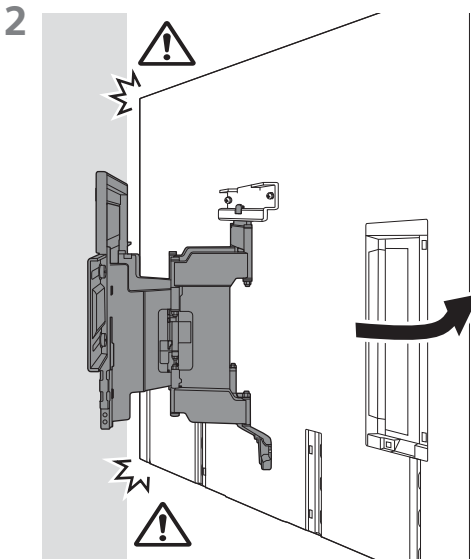
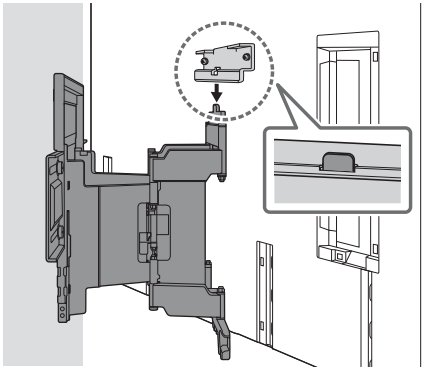
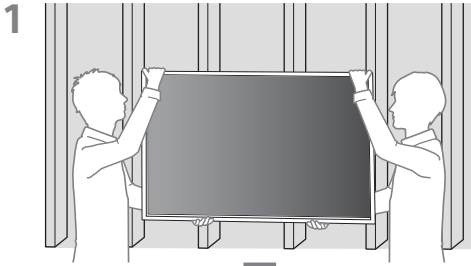
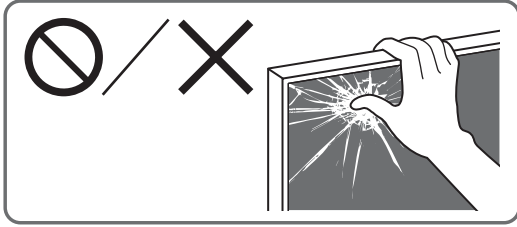
4 Válassza le az asztali állványt a tv-készülekről.



Megjegyzés

- A televízió megemeléskor legyen óvatos, mivel az asztali állvány leválasztása után az asztali állvány felborulhat és személyi sérülést okozhat.
- Legyen óvatos, amikor az asztali állványt leválasztja a televízióról, nehogy az felboruljon és kárt tegyen abban a felületben, amin a televízió áll.

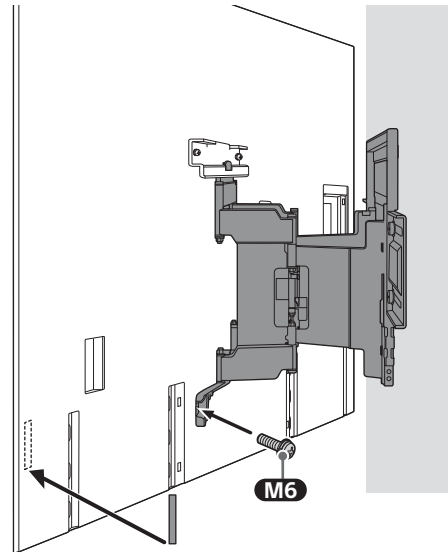
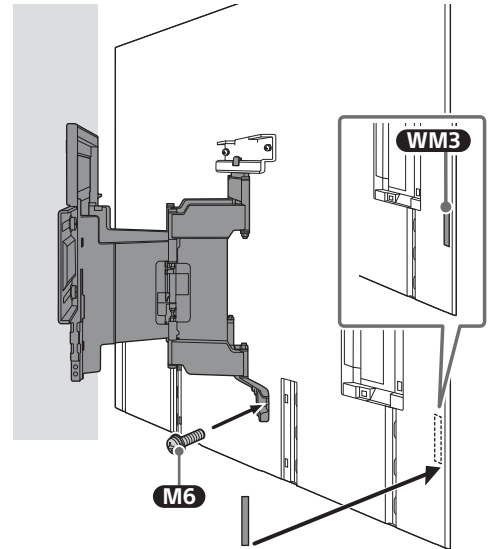
A tv-készülék felszerelése a falra

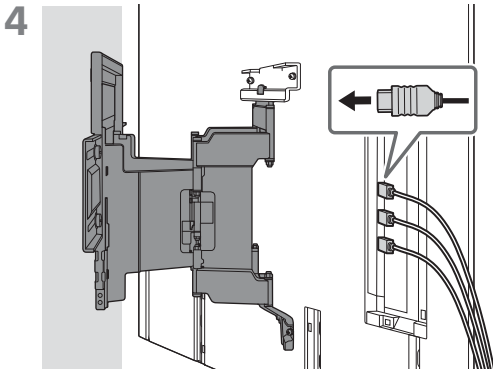


- 3 Csavarral rögzítse a fali konzol jobb és bal oldalát az **M6** használatával, és csatlakoztassa a **WM3** elemet.

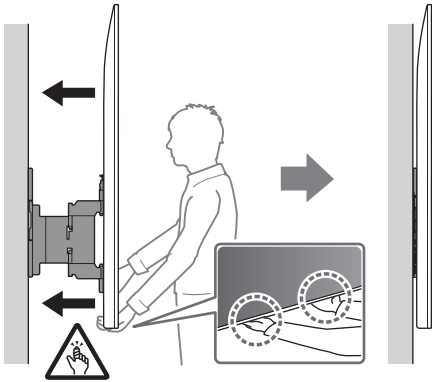
Megjegyzés

- Ne helyezze a **WM3**-at a címkékre.



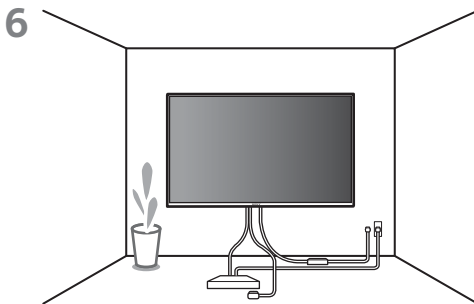


5 A TV mozgatásakor erősen tartsa a készülék alját.



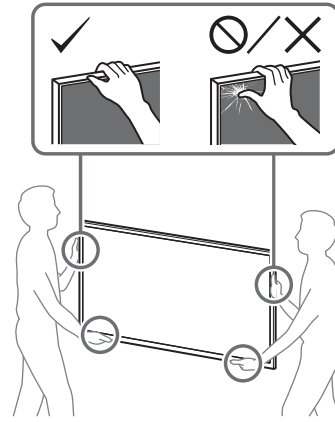
Megjegyzés

- A csatlakoztatott kábelek típusától és számától függően előfordulhat, hogy a TV nem megy egészen közel a falhoz. Ez nem meghibásodás.



FIGYELMEZTETÉS

- Két vagy több személyre (189,3 cm (75 hüvelyk) vagy ennél nagyobb TV esetén három vagy több személyre) van szükség egy nagyméretű TV-készülék szállításához (kivéve Egyiptom).
Két vagy több személyre (75 hüvelyk (189,3 cm) vagy ennél nagyobb TV esetén három vagy több személyre) van szükség egy nagyméretű TV-készülék szállításához (csak Egyiptom).



A felszerelés megfelelőségének ellenőrzése

Ellenőrizze a következőket.

- A hálózati kábel és az összekötő kábelek nem csavarodtak meg vagy csipődtek be.

FIGYELMEZTETÉS

- A hálózati kábel stb. nem megfelelő elhelyezése rövidzárlat miatt tüzet vagy áramütést okozhat. Ellenőrizze a felszerelés megfelelőségét.

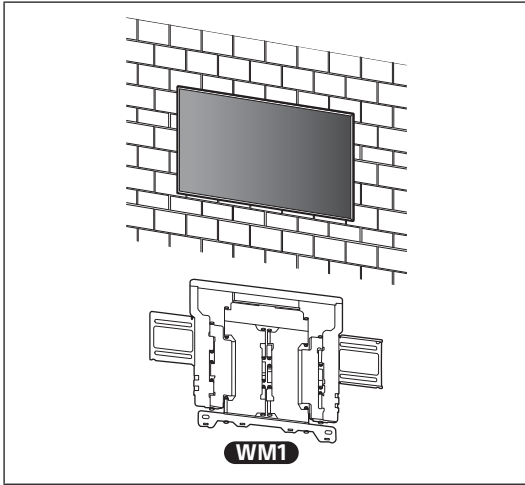
Egyéb információk

A televíziókészülék eltávolításakor visszafelé hajtsa végre az eljárást.

FIGYELMEZTETÉS

- Két vagy több személyre (189,3 cm (75 hüvelyk) vagy ennél nagyobb TV esetén három vagy több személyre) van szükség egy nagyméretű TV-készülék szállításához (kivéve Egyiptom).
Két vagy több személyre (75 hüvelyk (189,3 cm) vagy ennél nagyobb TV esetén három vagy több személyre) van szükség egy nagyméretű TV-készülék szállításához (csak Egyiptom).

B A fali konzol rögzítése tömör betonból vagy betonelemekből álló falra



A fali konzol falra szerelése

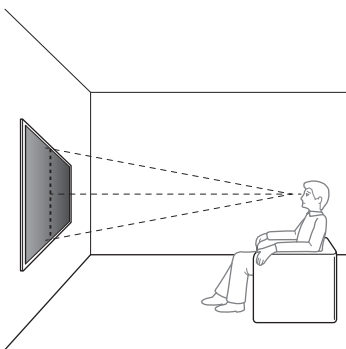
1 Határozza meg a felszerelés helyét.

Győződjön meg arról, hogy a falon elegendő hely van a TV-nek, illetve hogy a fal legalább a TV súlyának hatszorosát képes megtartani.

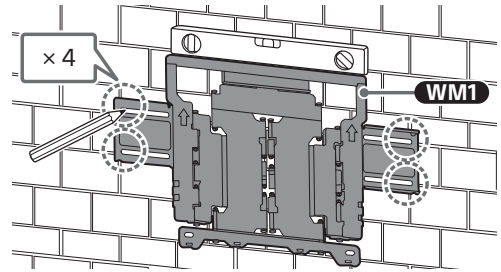
- Tekintse meg a „Mérés a fali konzol falra szereléséhez” c. részt a 18. oldalon.
- A tv-készülék súlyát lásd a készülék Felhasználói útmutatójában.

Megjegyzés

- Ha a tv-készüléket falra szereli, a tv felső oldala enyhén előre dől.
- Javasoljuk, hogy arról a helyről ellenőrizze a TV helyzetét, ahonnan nézni fogják.



2 A WM1 elemet illessze a falra, és jelölje ki a négy furat helyét.

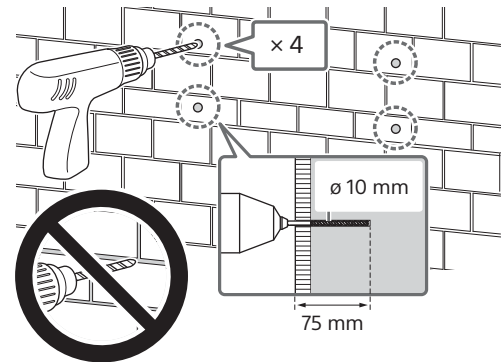


Megjegyzés

- Vízmértékkel ellenőrizze a WM1 vízszintes helyzetét.

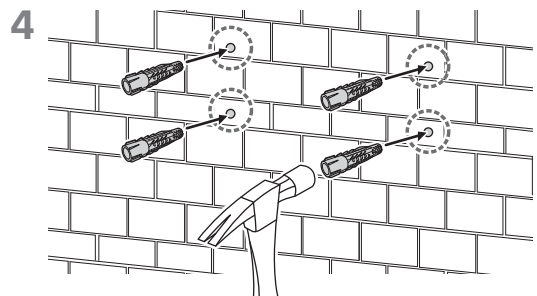
3 A megjelölt pontokon készítsen előfuratokat.

Győződjön meg arról, hogy a furatok helye a falon elég erős ahhoz, hogy megtartsa a TV súlyának legalább hatszorosát.

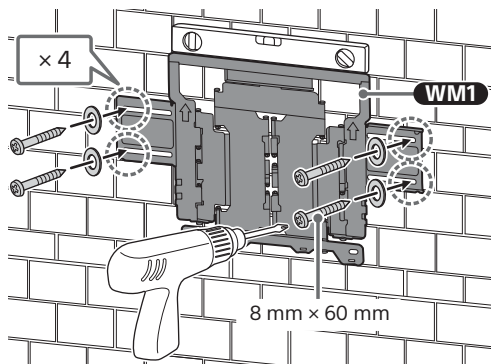


Megjegyzés

- A vezetőfuratok mélysége 75 mm, a fúrószerű átmérője 10 mm legyen.



- 5 A megfelelő csavarokkal (nincs mellékelve) és alátétekkel (nincs mellékelve) rögzítse a falra a **WM1** elemet.



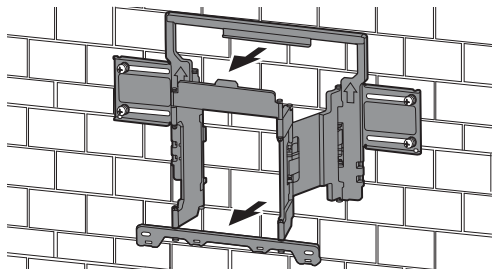
Megjegyzés

- Vízmértékkel ellenőrizze a **WM1** vízszintes helyzetét.

Figyelmeztetés

- Ne húzza meg túlságosan a 8 mm x 60 mm-es facsavart. A helytelen meghúzás csökkentheti a 8 mm x 60 mm-es facsavar tartóerejét.

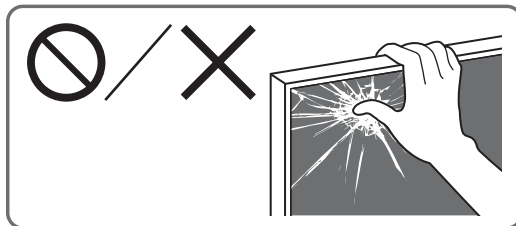
- 6 A végállásig húzza ki a konzol karját.



A televíziókészülék felszerelésének előkészítése

Megjegyzés

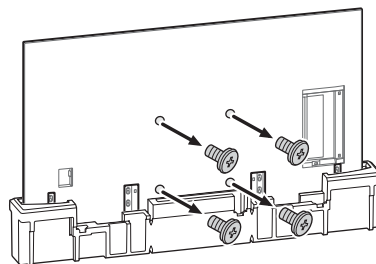
- Ügyeljen arra, hogy az eltávolított csavarokat és használaton kívüli részeket biztos helyen, gyermekek elől elzárva tárolja.



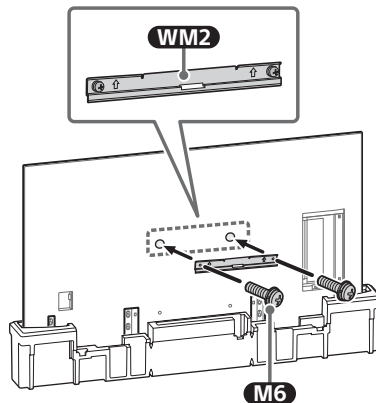
A frissen kicsomagolt TV falra szerelése*1

- *1 Csak egyes régiók/országok/típus esetén.

- 1 Távolítsa el a csavarokat a tv-készülék hátuljáról.

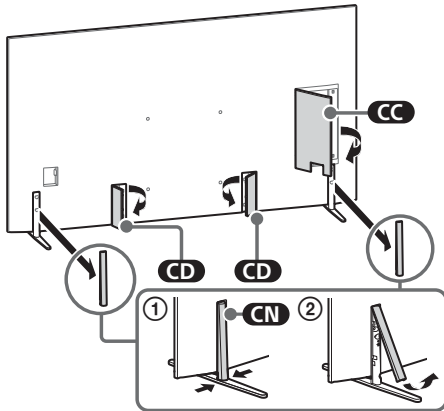


- 2 Az **WM2** használatával rögzítse a **M6** elemet a TV-hez.

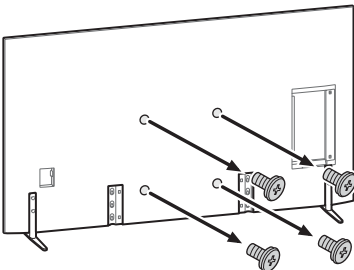


A frissen kicsomagolt TV falra szerelése az asztali állványról

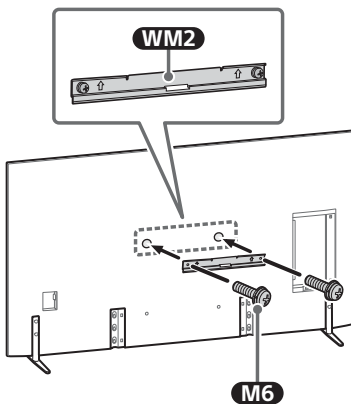
- 1 Távolítsa el az állvány borításait és a csatlakozófedeleket.



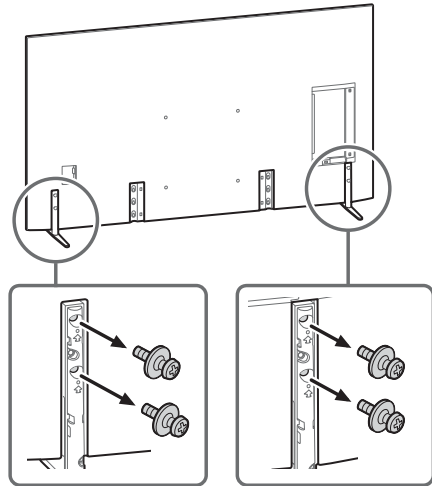
- 2 Távolítsa el a csavarokat a tv-készülék hátuljáról.



- 3 Az **WM2** használatával rögzítse a **M6** elemet a TV-hez.



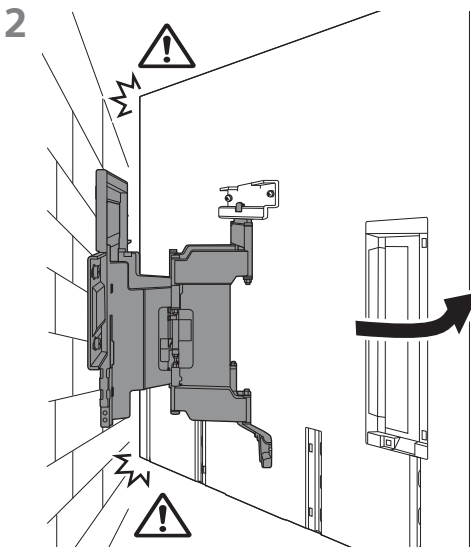
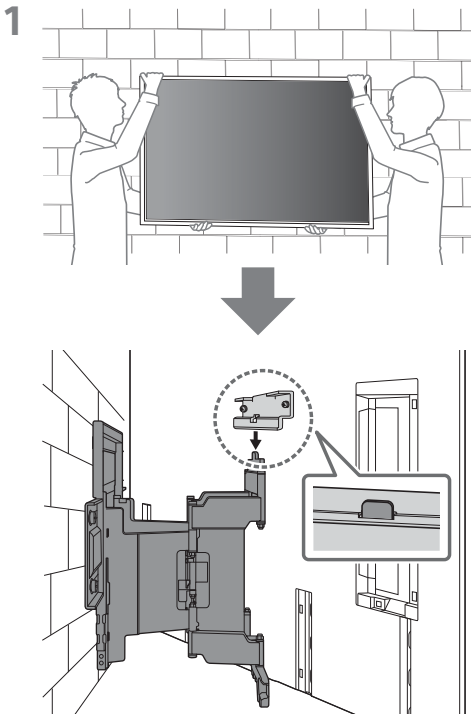
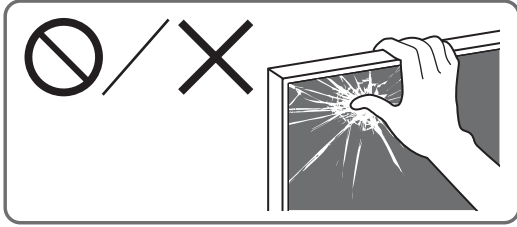
- 4 Válassza le az asztali állványt a tv-készülékről.



Megjegyzés

- A televízió megemelésekor legyen óvatos, mivel az asztali állvány leválasztása után az asztali állvány felborulhat és személyi sérülést okozhat.
- Legyen óvatos, amikor az asztali állványt leválasztja a televízióról, nehogy az felboruljon és kárt tegyen abban a felületben, amin a televízió áll.

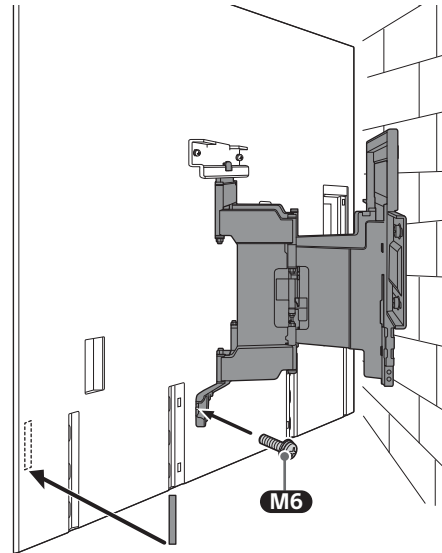
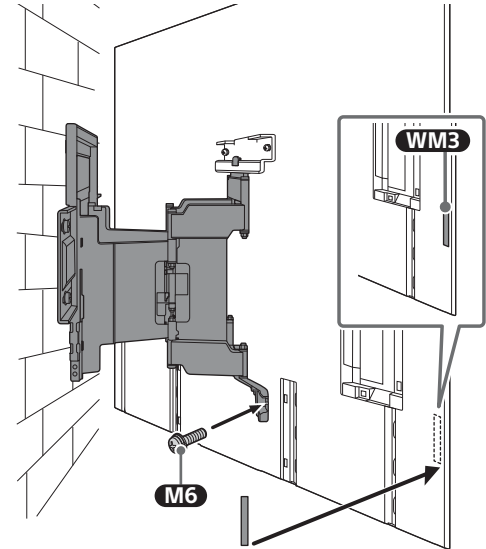
A tv-készülék felszerelése a falra

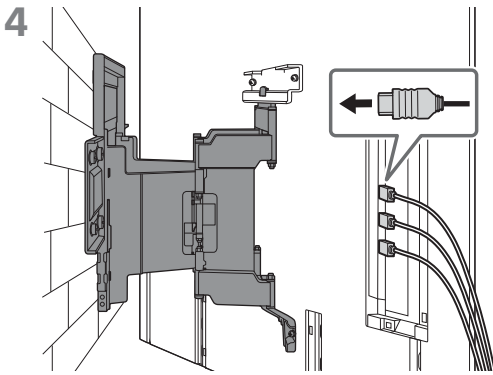


- 3 Csavarral rögzítse a fali konzol jobb és bal oldalát az **M6** használatával, és csatlakoztassa a **WM3** elemet.

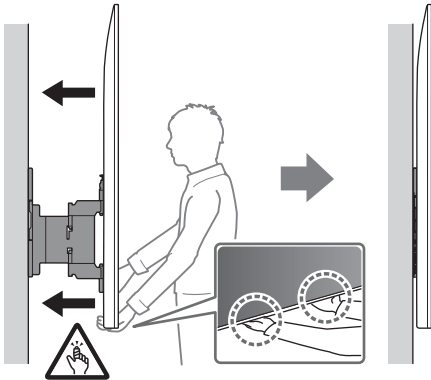
Megjegyzés

- Ne helyezze a **WM3**-at a címkékre.



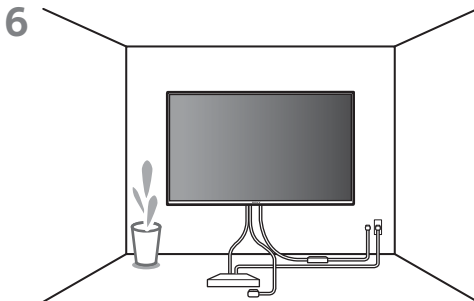


5 A TV mozgatásakor erősen tartsa a készülék alját.



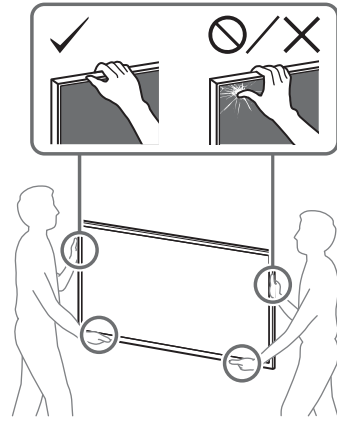
Megjegyzés

- A csatlakoztatott kábelek típusától és számától függően előfordulhat, hogy a TV nem megy egészen közel a falhoz. Ez nem meghibásodás.



FIGYELMEZTETÉS

- Két vagy több személyre (189,3 cm (75 hüvelyk) vagy ennél nagyobb TV esetén három vagy több személyre) van szükség egy nagyméretű TV-készülék szállításához (kivéve Egyiptom).
Két vagy több személyre (75 hüvelyk (189,3 cm) vagy ennél nagyobb TV esetén három vagy több személyre) van szükség egy nagyméretű TV-készülék szállításához (csak Egyiptom).



A felszerelés megfelelőségének ellenőrzése

Ellenőrizze a következőket.

- A hálózati kábel és az összekötő kábelek nem csavarodtak meg vagy csipődtek be.

FIGYELMEZTETÉS

- A hálózati kábel stb. nem megfelelő elhelyezése rövidzárlat miatt tüzet vagy áramütést okozhat. Ellenőrizze a felszerelés megfelelőségét.

Egyéb információk

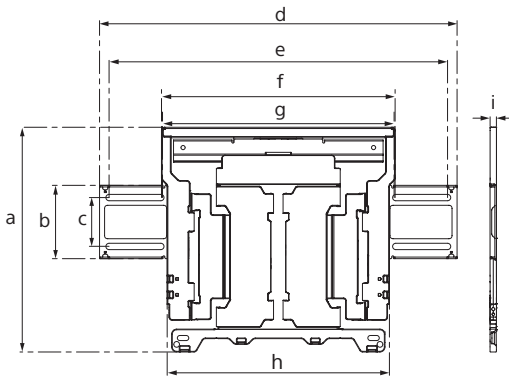
A televíziókészülék eltávolításakor visszafelé hajtsa végre az eljárást.

FIGYELMEZTETÉS

- Két vagy több személyre (189,3 cm (75 hüvelyk) vagy ennél nagyobb TV esetén három vagy több személyre) van szükség egy nagyméretű TV-készülék szállításához (kivéve Egyiptom).
Két vagy több személyre (75 hüvelyk (189,3 cm) vagy ennél nagyobb TV esetén három vagy több személyre) van szükség egy nagyméretű TV-készülék szállításához (csak Egyiptom).

Műszaki adatok

WM1



Méreték: (kb.) [mm]

a : 354

b : 116

c : 77

d : 563

e : 533

f : 370

g : 368

h : 350

i : 11

Súly (csak az alap): (kb.) [kg]

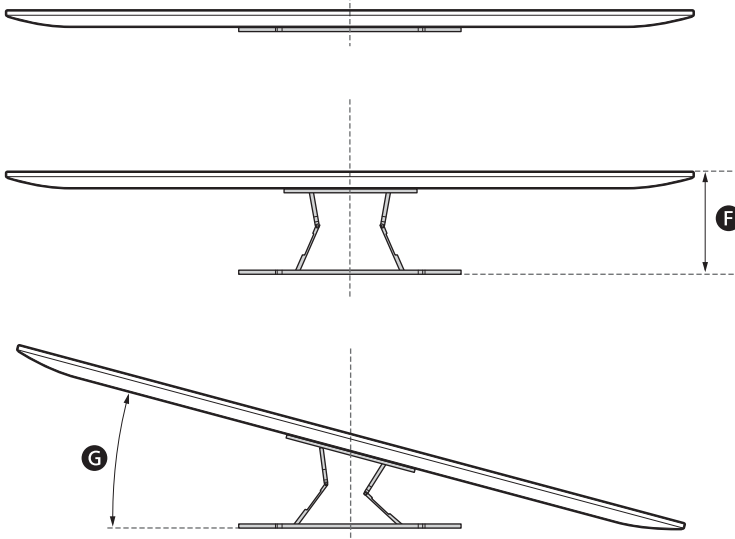
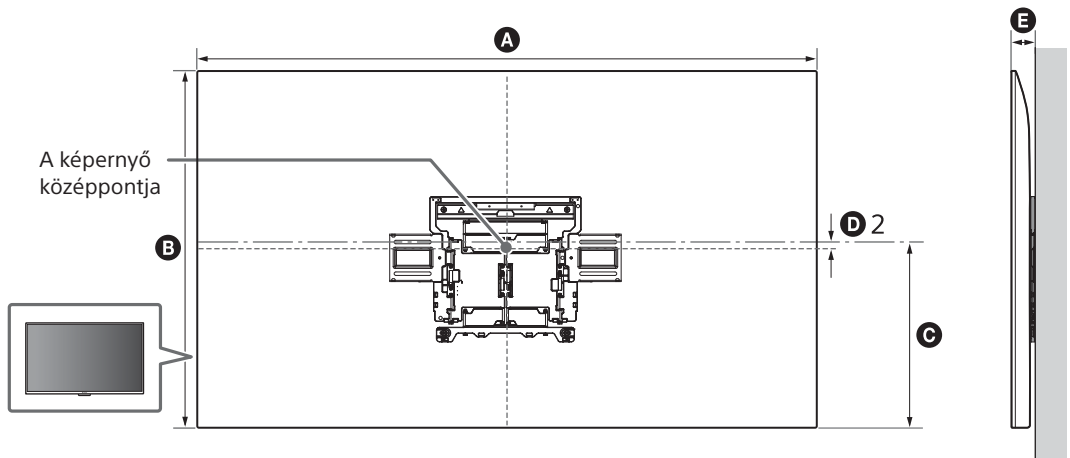
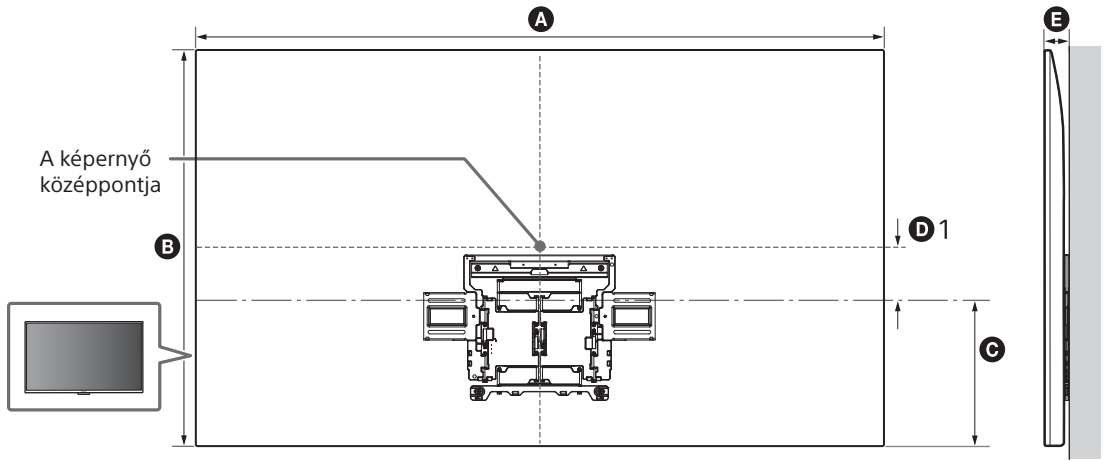
3,0

A forma és a műszaki adatok előzetes bejelentés nélkül megváltozhatnak.

Hivatkozások

Mérés a fali konzol falra szereléséhez

A felszereléstől függően a táblázat adataihoz képest kisebb eltérés mutatkozhat.



(mm)

Típusnév	A	B	C	D 1	D 2	E	F ^{*1}	G ^{*1} (°)
K-77XR8x	1 713	984	362	139	-	48	251,4	12
K-65XR8x	1 442	829	362	57	-	48	250,8	17
K-55XR8x	1 223	706	362	-	3	48	250,8	19

*1 (kb.)

Instalační informace k používání nástěnného držáku Sony (SU-WL850)

Podporované modely*1:

*1 U jednotlivých názvů modelů označuje „x“/„xx“ čísla a/nebo znaky popisující jednotlivé konkrétní modely.

K-77XR8x / 65XR8x / 55XR8x

Pro zákazníky

Společnost Sony za účelem ochrany produktu a z důvodů bezpečnosti důrazně doporučuje, aby instalaci televizoru provedl prodejce Sony nebo autorizovaný dodavatel. Nepokoušejte se o jeho instalaci sami.

Pro prodejce a dodavatele Sony

Během instalace, pravidelné údržby a prohlídek výrobku důsledně dbejte na bezpečnost.

Instalace tohoto produktu vyžaduje dostatečné zkušenosti, zejména pak pro posouzení, zda zeď unese váhu televizoru. Připevnění tohoto produktu na zeď byste měli svěřit prodejcům Sony nebo autorizovaným dodavatelům a během instalace věnovat patřičnou pozornost bezpečnosti. Společnost Sony nenese žádnou odpovědnost za poškození nebo zranění způsobené nesprávnou manipulací nebo instalací.

V zájmu bezpečné a správné instalace postupujte podle provozních pokynů k montáži nástěnného držáku, průvodce nastavením televizoru a pokynů v této příručce.

Nástěnný držák

Bezpečnostní opatření

Děkujeme, že jste si zakoupili tento produkt.

Pro zákazníky

Montáž televizoru na zeď



VYŽADUJE ODBORNOU INSTALACI

Instalaci tohoto produktu smí provést pouze odborník, který dokáže fundovaně posoudit nosnost stěny vzhledem ke hmotnosti TV. V případě nedostatečného upevnění během instalace může dojít k pádu TV a k vážnému zranění. Společnost Sony není odpovědná za jakékoli škody nebo zranění způsobená nesprávným zacházením, nesprávnou instalací nebo instalací jiného, než určeného produktu. Vaše zákonná práva (pokud existují) nejsou omezena.

Informace pro prodejce společnosti Sony

Montáž tohoto produktu vyžaduje odborné znalosti a zkušenosti. Důkladně si přečtěte tento návod k použití, abyste montáž mohli provést v souladu s bezpečnostními pokyny. Společnost Sony nenese žádnou odpovědnost za jakékoli škody nebo zranění způsobená nesprávným zacházením nebo nesprávnou montáží. Po provedení montáže tento návod vraťte zákazníkovi.

Tento návod k použití popisuje správnou manipulaci s výrobkem a obsahuje důležité upozornění, jejichž dodržování brání vzniku nehod. Jste povinni si přečíst veškeré pokyny v tomto návodu k použití, důkladně jim porozumět a dodržovat je. Zanedbání této povinnosti může mít za následek zranění nebo škody na majetku a propadnutí záruky. Tento návod uschovejte pro budoucí použití.

Produkty od společnosti Sony jsou navrženy s ohledem na bezpečnost. Pokud nebudete produkt správně používat, může v důsledku jeho převrácení nebo pádu dojít k vážnému poranění ohněm nebo zásahu elektrickým proudem. Aby k takovým nehodám nedošlo, vždy dodržujte uvedená bezpečnostní opatření.

UPOZORNĚNÍ

Určené produkty

Tento nástěnný držák je určen k použití s určenými televizory. V příslušných Referenčních příručkách k televizorům najdete informace o tom, se kterými z nich je možné nástěnný držák používat.

Pro zákazníky

VAROVÁNÍ

Pokud nebudete dodržovat následující bezpečnostní opatření, může v důsledku pádu produktu dojít k požáru nebo úrazu elektrickým proudem a vážnému zranění nebo úmrtí.

Proto montáž tohoto produktu svěřte licencovaným dodavatelům a během montáže nedovolte malým dětem pobývat v blízkosti produktu.

Pokud nástěnný držák nebo televizor nenamontujete správně, může dojít k následujícím nehodám. Montáž svěřte licencovaným dodavatelům.

- Televizor může spadnout a způsobit vážné zranění, například zhmždění nebo zlomeninu.
- Pokud zeď, na kterou chcete nástěnný držák namontovat, není stabilní, rovná či kolmá k podlaze, zařízení může spadnout a způsobit zranění nebo poškození majetku. Nosnost stěny musí být alespoň šestkrát vyšší, než hmotnost televizoru. (Informace o hmotnosti najdete v Referenční příručce k televizoru.)
- Pokud není montáž nástěnného držáku dostatečně pevná, zařízení může spadnout a způsobit zranění nebo poškození majetku.

Přenos nebo demontáž televizoru svěřte licencovaným dodavatelům.

Pokud jeho přepravu nebo demontáž provádí jiné osoby než licencovaní dodavatelé, může televizor spadnout a způsobit zranění nebo poškození majetku. Pro přepravu velkých televizorů je zapotřebí dvou nebo více osob (tři nebo více osob pro televizor s rozměrem 189,3 cm (75 palců) a více) (kromě Egypta). Pro přepravu velkých televizorů je zapotřebí dvou nebo více osob (tři nebo více osob pro televizor s rozměrem 75 palců (189,3 cm) a více) (pouze Egypt).

Po montáži televizoru nevytahujte šrouby atd.

V opačném případě by mohl televizor spadnout a způsobit zranění nebo poškození majetku.

Součásti nástěnného držáku nijak neupravujte.

V opačném případě by mohl nástěnný držák spadnout a způsobit zranění nebo poškození majetku.

Na konzolu nemontujte žádná jiná než určená zařízení.

Tento nástěnný držák je určen k použití pouze s určenými zařízeními. Pokud na ni namontujete jiné než určené zařízení, mohlo by spadnout nebo se rozlomit a způsobit zranění nebo poškození majetku.

Zabraňte tomu, aby na nástěnný držák působila jiná zátěž než televizor. Netřeste televizorem doleva/doprava, nahoru/dolů.

V opačném případě by mohl televizor spadnout a způsobit zranění nebo poškození majetku.

O televizor se neopírejte ani se na něj nezavěšujte.

O televizor se neopírejte ani se na něj nezavěšujte, protože by na vás mohl spadnout a způsobit vážné zranění.

UPOZORNĚNÍ

Pokud nebudete dodržovat následující opatření, může dojít ke zranění nebo poškození majetku.

- Při manipulaci s nástěnným držákem nebo otáčením TV dávejte pozor, abyste si neskřípli prsty.
- Při otáčení televizoru dávejte pozor, abyste nezranili osoby nacházející se v jeho blízkosti.
- Nepoužité části uložte na bezpečném místě pro budoucí použití. Uchovávejte je mimo dosah dětí.

Během čištění nebo provádění údržby na produkt nevyvíjejte nadměrnou sílu.

Na horní část televizoru nevyvíjejte sílu. V opačném případě by mohl televizor spadnout a způsobit zranění nebo poškození majetku.

Neumísťujte tento produkt blízko lékařských přístrojů.

Tento přístroj (včetně doplňků) obsahuje magnet/y, které mohou interferovat s kardiostimulátory, shuntů s programovatelnou chlopní, užívanými při léčbě hydrocefalu nebo jinými lékařskými přístroji. Neukládejte tento produkt v blízkosti osob, které tyto lékařské přístroje používají. Pokud používáte některý z těchto lékařských přístrojů, poraďte se s lékařem předtím, než budete používat tento produkt.

Uchovávejte mimo dosah dětí nebo osob pod dohledem.

Tento produkt (včetně doplňků) obsahuje magnet/y. Polknutí magnetu by mohlo způsobit vážné poranění, např. by mohlo dojít k dušení nebo poškození střev. Pokud dojde ke spolknutí magnetu (nebo magnetů), neprodleně se obraťte na lékaře.

Bezpečnostní opatření

- Pokud používáte televizor namontovaný na nástěnný držák dlouhou dobu, barva stěny za nebo nad televizorem se může v závislosti na materiálu stěny změnit nebo může dojít k odlepení tapety.
- Pokud po montáži na zeď nástěnný držák odstraníte, zůstanou po něm díry na šrouby.
- Nástěnný držák nepoužívejte v místech, na která působí mechanické otřesy.

Montáž nástěnného držáku

Informace pro prodejce společnosti Sony

VAROVÁNÍ

Následující pokyny jsou určeny pouze pro prodejce společnosti Sony. Pročtěte si výše uvedené pokyny a během montáže, údržby a kontroly tohoto produktu věnujte zvýšenou pozornost bezpečnosti.

Nástěnný držák nemontujte na takové plochy stěn, u kterých rohy nebo boky televizoru přecházejí ze stěny.

Nástěnný držák nemontujte na takové plochy stěn, například sloupy, u kterých rohy nebo boky televizoru přecházejí ze stěny. Pokud do vyčnívajícího rohu nebo boku televizoru narazí osoba nebo předmět, může dojít ke zranění nebo poškození majetku.

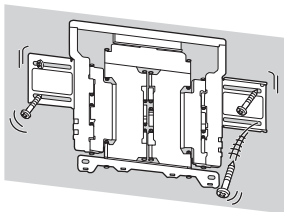


Televizor nemontujte nad ani pod klimatizaci.

Pokud je televizor dlouhodobě vystaven prosakování vody nebo proudu vzduchu z klimatizace, může dojít k požáru, úrazu elektrickým proudem nebo poruše televizoru.

Nástěnný držák bezpečně namontujte podle následujících pokynů v tomto návodu k použití.

Pokud jsou kterékoli šrouby uvolněné nebo pokud vypadnou, může nástěnný držák spadnout a způsobit zranění nebo poškození majetku. Použijte šrouby vhodné pro materiál zdi a nainstalujte zařízení pevně pomocí čtyř šroubů s průměrem 8 mm (nebo ekvivalentním).



Používejte pouze dodané šrouby a další součásti podle pokynů uvedených v tomto návodu k použití. Pokud použijete náhradní součásti, televizor může spadnout a způsobit zranění osob nebo poškození televizoru.

Nástěnný držák sestavte správně dle pokynů vysvětlených v tomto návodu k použití.

Pokud jsou kterékoli šrouby uvolněné nebo pokud vypadnou, televizor může spadnout a způsobit zranění osob nebo poškození televizoru.

Šrouby pevně utáhněte v určené poloze.

V opačném případě může televizor spadnout a způsobit zranění osob nebo poškození televizoru.

Během montáže dávejte pozor, aby nedošlo k nárazu televizoru.

Pokud je televizor vystaven nárazům, může dojít k jeho pádu nebo rozlomení. V důsledku toho by pak mohlo dojít ke zranění.

Televizor namontujte na stěnu, která je kolmá a rovná.

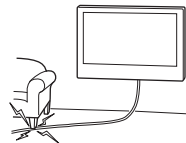
V opačném případě by mohl televizor spadnout a způsobit zranění.

Po řádné montáži televizoru řádně zajistěte kabely.

Pokud se do kabelů zamotají osoby nebo jiné předměty, může dojít ke zranění nebo poškození televizoru.

Dávejte pozor, aby nedošlo ke skřípnutí napájecí šňůry nebo propojovacího kabelu.

Pokud dojde ke skřípnutí napájecí šňůry nebo propojovacího kabelu mezi zařízením a stěnou nebo pokud dojde k jejich násilnému ohnutí nebo zkroucení, vnitřní vodiče mohou být obnaženy a mohou způsobit zkrat nebo přerušování elektrického obvodu. V důsledku toho může dojít k požáru nebo úrazu elektrickým proudem.



Šrouby nutné k montáži nástěnného držáku nejsou součástí balení.

Při montáži nástěnného držáku používejte vhodné šrouby pro materiál stěny.

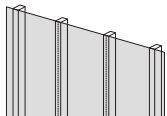
Než začnete

- Obrázky televizoru uvedené v tomto návodu jsou příklady, které mají za úkol jasně vysvětlit ovládání přístroje. Z tohoto důvodu se mohou obrázky od vašeho skutečného televizoru lišit.

Z čeho je vaše stěna vyrobena?

Nejdříve zjistěte typ stěny, na kterou chcete TV instalovat.

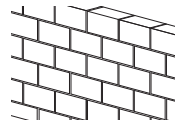
Sádkartonová stěna s rámy z dřevěných hranolů



Bezpečnostní opatření

- Maximální tloušťka sádkartonové stěny: 16 mm.
- Zkontrolujte, zda je velikost hranolu vnitřního dřevěného rámu alespoň 51 mm × 102 mm pro běžné nebo 38 mm × 89 mm pro jmenovité.
- Mezi upevňovacími prvky zachovejte vodorovnou vzdálenost minimálně 406 mm.

Betonové tvárnice nebo tvárnice ztraceného bednění



Bezpečnostní opatření

- Nástěnný držák namontujte přímo na stěnu z betonových tvárnic.
- Zkontrolujte, zda je tloušťka stěny z betonových tvárnic alespoň 203 mm.
- Zkontrolujte, zda je velikost jednotlivých tvárnic ztraceného bednění alespoň 203 mm × 203 mm × 406 mm.

Kontrola součástí



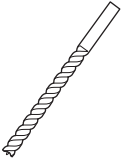
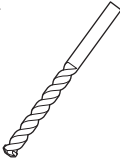
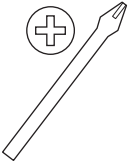
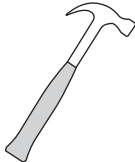
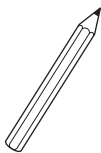
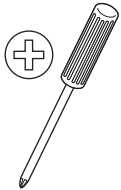
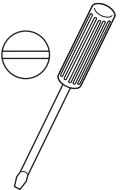
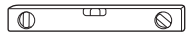


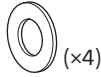
Dodáno s modelem SU-WL850

- Zkontrolujte, že žádná součást nechybí.

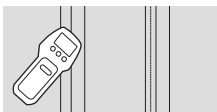
WM1 (x1) 	WM2 (x1) 	WM3 (x4)
M6 (x4) 	WT1 (x6) 	

Příprava na montáž

- Před instalací mějte po ruce referenční příručku a průvodce nastavením televizoru.
- Zkontrolujte montážní polohu televizoru.
- Připravte si čtyři šrouby průměru 8 mm a čtyři odpovídající podložky (není součástí dodávky).
Vyberte šrouby vhodné pro materiál stěny.
- Připravte si následující nářadí:

*1 		 5,5 mm	 10 mm	
*2 		 1,5 N·m {15 kgf·cm}	*3  1,5 N·m {15 kgf·cm}	
	*2  (x4)	*4  (x4) 8 mm × 60 mm	*4  (x4)	

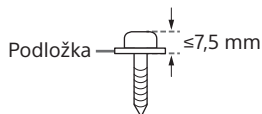
*1 Pouze pro sádkokartonovou stěnu s rámy z dřevěných hranolů



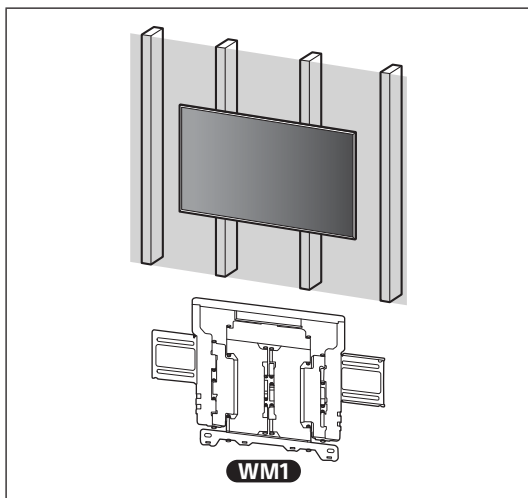
*2 Pouze pro stěnu z betonových tvárnic nebo z tvárnic ztraceného bednění

*3 V závislosti na modelu

*4 Pečlivě vyberte šrouby a podložky



A Připevnění nástěnného držáku na sádkartonovou stěnu s rámy z dřevěných hranolů



Instalace nástěnného držáku na stěnu

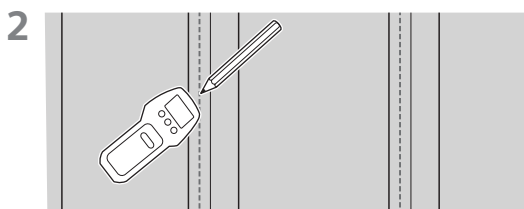
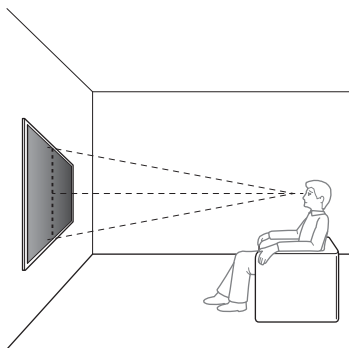
1 Rozhodněte se, kam chcete konzolu upevnit.

Ujistěte se, že na zdi je dostatek prostoru na televizor a že zeď unese alespoň šestinásobek hmotnosti televizoru.

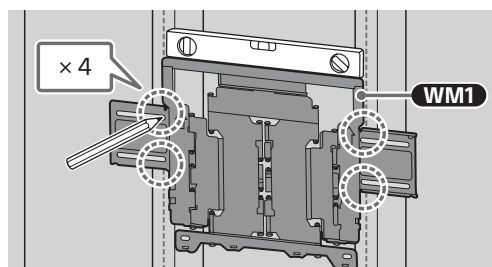
- Viz „Měření pro montáž nástěnného držáku na zeď“ na straně 17.
- Informace o hmotnosti televizoru naleznete v Referenční příručce k televizoru.

Poznámka

- Když televizor namontujete na zeď, bude se horní strana televizoru mírně naklánět vpřed.
- Doporučujeme vyzkoušet polohu TV při sledování.



3 Zorientujte WM1 ke stěně a proveďte čtyři značky v místě hranolů.

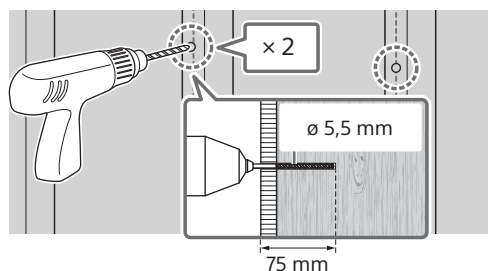


Poznámka

- Pomocí vodováhy zkontrolujte, zda je WM1 ve vodorovné poloze.

4 Na horních značkách předvrtejte otvory.

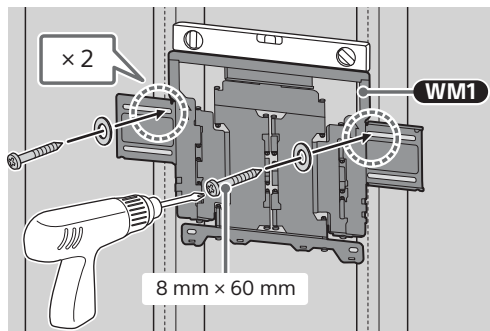
Ujistěte se, že místo na zdi pro vyvrtání otvorů je dostatečně silné na to, aby uneslo alespoň šestinásobek hmotnosti televizoru.



Poznámka

- Otvory je nutno předvrtat do hloubky 75 mm vrtákem o průměru 5,5 mm.

- 5** Namontujte **WM1** na stěnu s použitím vhodných šroubů (není součástí dodávky) a podložek (není součástí dodávky).



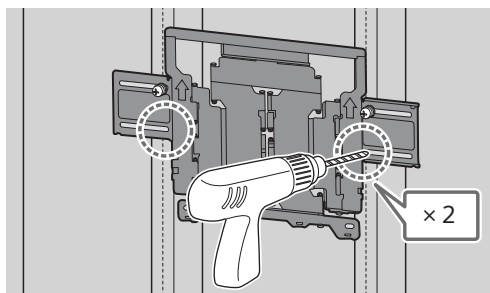
Poznámka

- Pomocí vodováhy zkontrolujte, zda je **WM1** ve vodorovné poloze.

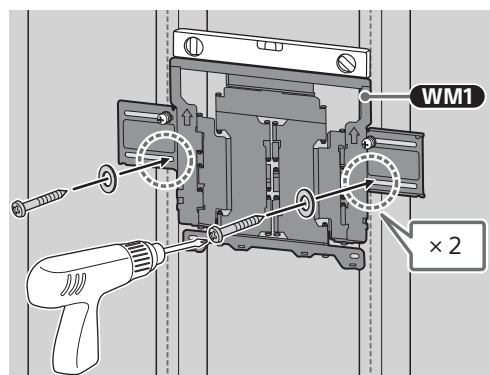
Upozornění

- Neutahujte vrtvy 8 mm x 60 mm příliš. Nesprávné utažení by mohlo snížit pevnost spoje vrtvů 8 mm x 60 mm.

- 6** Na dolních značkách předvrtejte otvory. (Pokyny pro vrtání viz krok 4.)



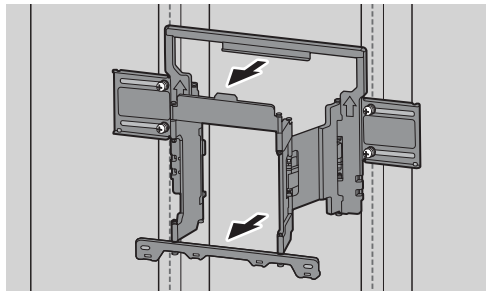
- 7** Do otvorů zašroubujte vhodné šrouby s podložkami.



Poznámka

- Pomocí vodováhy zkontrolujte, zda je **WM1** ve vodorovné poloze.

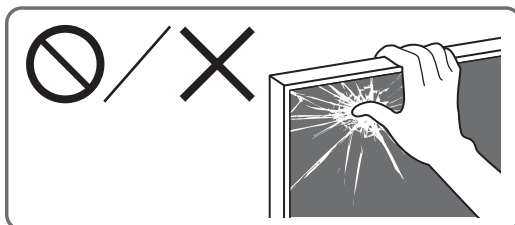
- 8** Vysuňte rameno držáku do konce.



Příprava na montáž televizoru

Poznámka

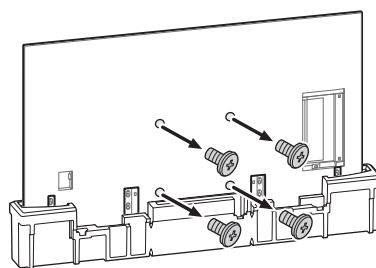
- Vyšroubované šrouby a nepoužité díly uschovejte na bezpečném místě mimo dosah dětí.



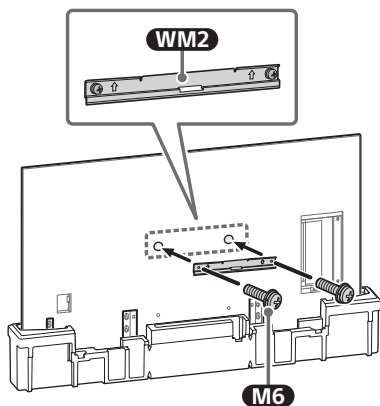
Instalace TV na zeď z obalu*1

*1 Pouze pro některé oblasti/země/modely.

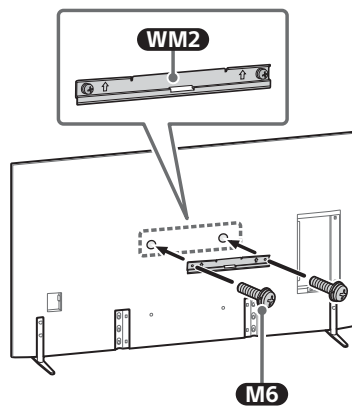
- 1** Vyšroubujte šrouby ze zadní části televizoru.



2 Připevněte **WM2** k TV s použitím **M6**.

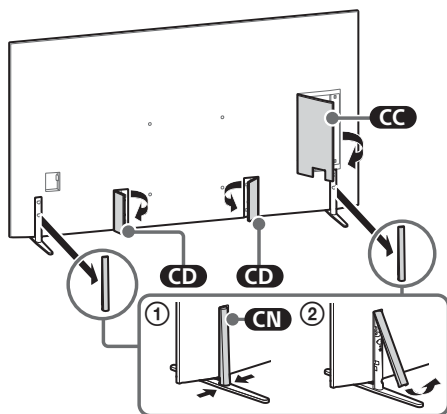


3 Připevněte **WM2** k TV s použitím **M6**.

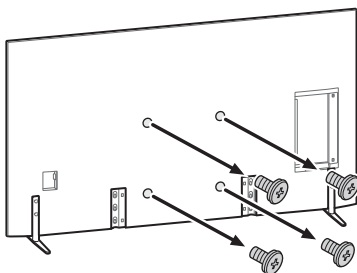


Instalace televizoru na zeď ze stolního stojanu

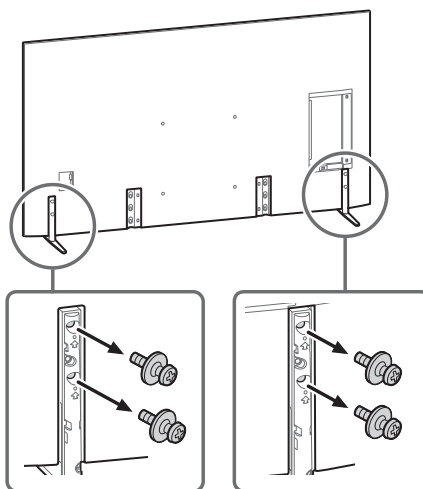
1 Sejměte kryty stojanu a kryty konektorů.



2 Vyšroubujte šrouby ze zadní části televizoru.



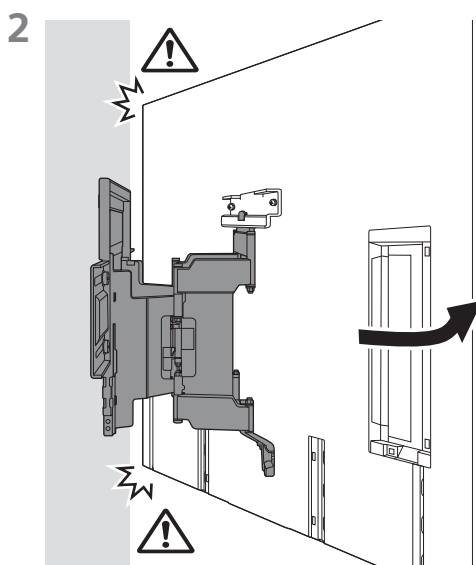
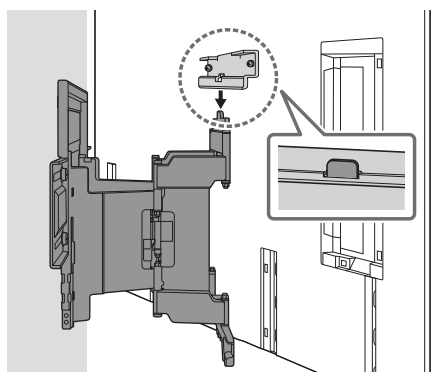
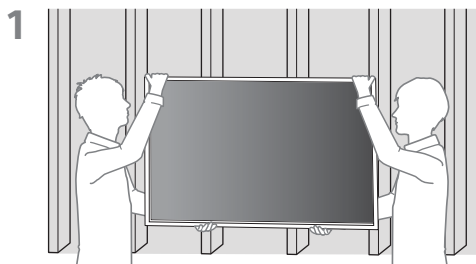
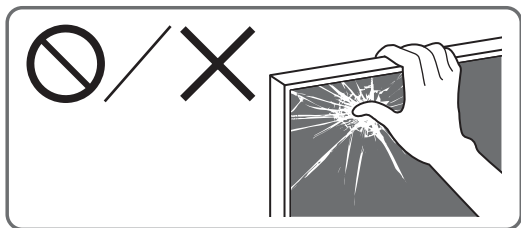
4 Odmontujte stolní stojan od televizoru.



Poznámka

- Při zvedání televizoru buďte opatrní, protože při demontáži stolního stojanu by mohlo dojít k jeho převrácení a ke zranění osob.
- Při demontáži stolního stojanu z televizoru buďte opatrní, aby nedošlo k jeho pádu a poškození povrchu, na němž televizor stojí.

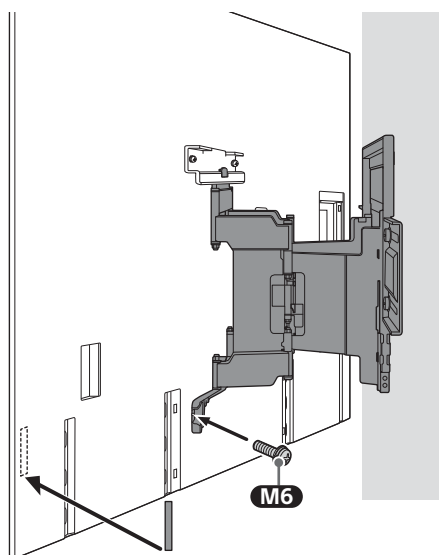
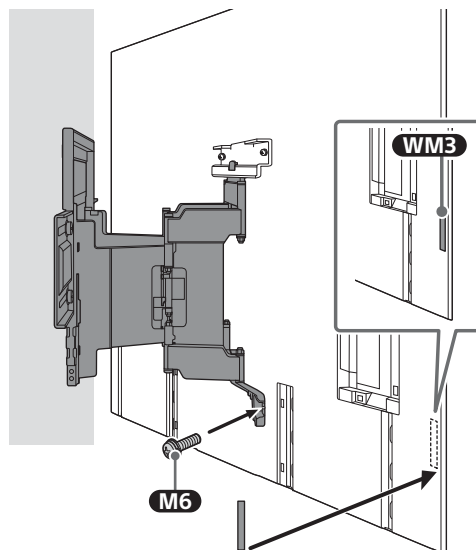
Montáž televizoru na zeď

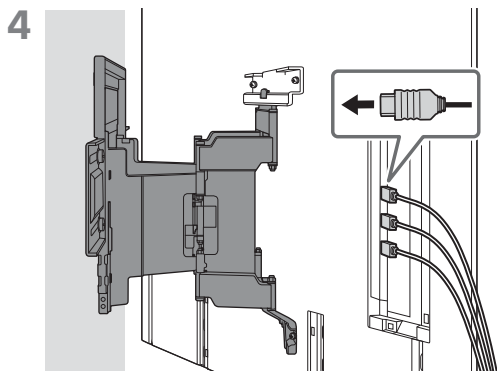


3 Zašroubujte levou a pravou stranu nástěnného držáku pomocí **M6** a připevněte **WM3**.

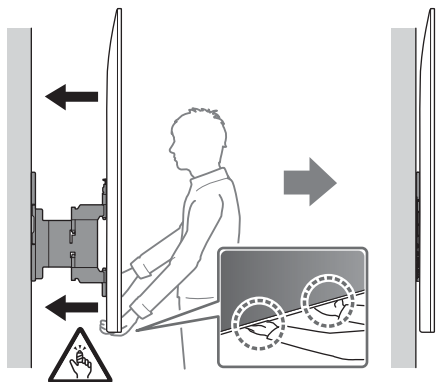
Poznámka

- Nepřipevňujte **WM3** na štítky.



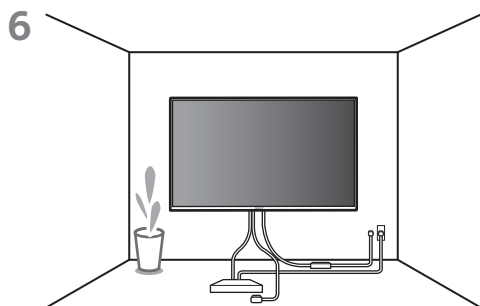


5 Při přemísťování uchopte televizor pevně za spodní část.



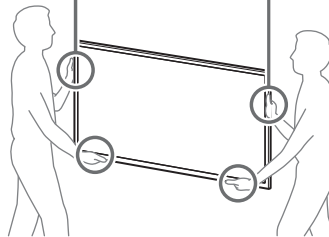
Poznámka

- Televizor nemusí být možné posunout až těsně ke stěně v závislosti na typu a počtu připojených kabelů. Nejedná se o závadu.



VAROVÁNÍ

- Pro přepravu velkých televizorů je zapotřebí dvou nebo více osob (tři nebo více osob pro televizor s rozměrem 189,3 cm (75 palců) a více) (kromě Egypta). Pro přepravu velkých televizorů je zapotřebí dvou nebo více osob (tři nebo více osob pro televizor s rozměrem 75 palců (189,3 cm) a více) (pouze Egypt).



Potvrzení dokončení montáže

Zkontrolujte následující body.

- Šňůry ani kabely nejsou zkrouceny ani skřípnuty.

VAROVÁNÍ

- Nesprávné umístění napájecí šňůry atd. může způsobit požár nebo úraz elektrickým proudem v důsledku zkratu. Z bezpečnostních důvodů je třeba dokončení montáže potvrdit.

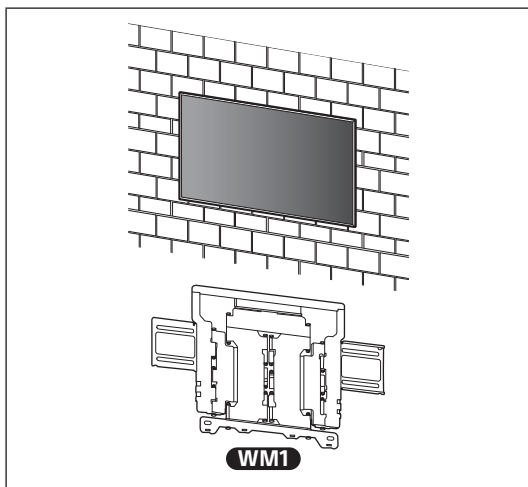
Další informace

Při demontáži televizoru proveďte uvedený postup v obráceném sledu.

VAROVÁNÍ

- Pro přepravu velkých televizorů je zapotřebí dvou nebo více osob (tři nebo více osob pro televizor s rozměrem 189,3 cm (75 palců) a více) (kromě Egypta). Pro přepravu velkých televizorů je zapotřebí dvou nebo více osob (tři nebo více osob pro televizor s rozměrem 75 palců (189,3 cm) a více) (pouze Egypt).

B Montáž nástěnného držáku na stěnu z betonových tvárníc nebo z tvárníc ztraceného bednění



Instalace nástěnného držáku na stěnu

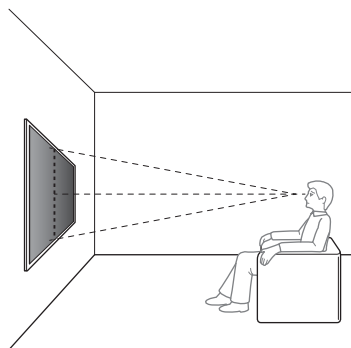
1 Rozhodněte se, kam chcete konzolu upevnit.

Ujistěte se, že na zdi je dostatek prostoru na televizor a že zeď unese alespoň šestinásobek hmotnosti televizoru.

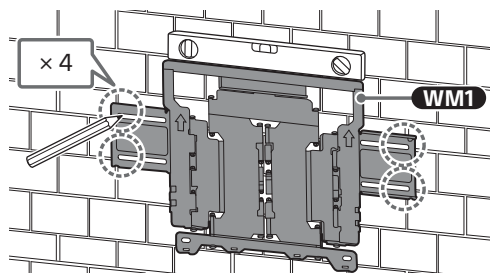
- Viz „Měření pro montáž nástěnného držáku na zeď“ na straně 17.
- Informace o hmotnosti televizoru naleznete v Referenční příručce k televizoru.

Poznámka

- Když televizor namontujete na zeď, bude se horní strana televizoru mírně naklánět vpřed.
- Doporučujeme vyzkoušet polohu TV při sledování.



2 Zorientujte WM1 ke stěně a proveďte čtyři značky.

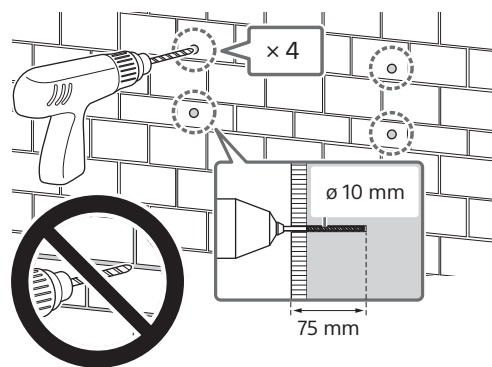


Poznámka

- Pomocí vodováhy zkontrolujte, zda je WM1 ve vodorovné poloze.

3 Vyrtejte otvory na značkách.

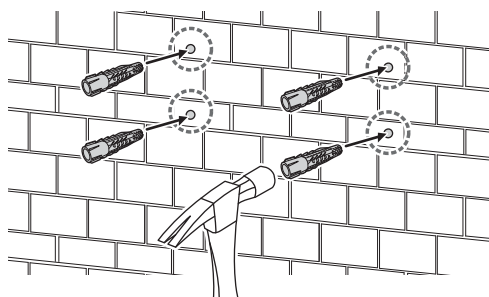
Ujistěte se, že místo na zdi pro vyvrtání otvorů je dostatečně silné na to, aby uneslo alespoň šestinásobek hmotnosti televizoru.



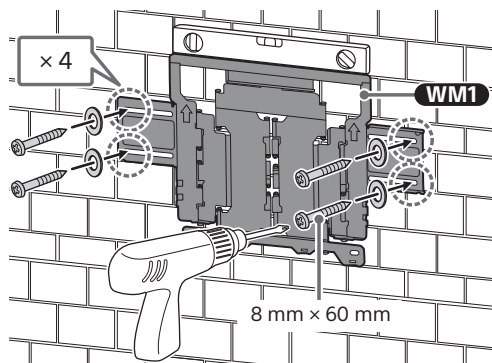
Poznámka

- Otvory je nutno předvrtat do hloubky 75 mm vrtákem o průměru 10 mm.

4



- 5 Namontujte **WM1** na stěnu s použitím vhodných šroubů (není součástí dodávky) a podložek (není součástí dodávky).



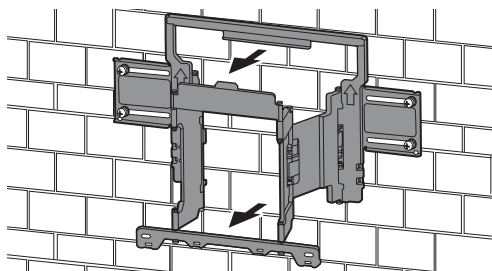
Poznámka

- Pomocí vodováhy zkontrolujte, zda je **WM1** ve vodorovné poloze.

Upozornění

- Neutahujte vruty 8 mm x 60 mm příliš. Nesprávné utažení by mohlo snížit pevnost spoje vrutů 8 mm x 60 mm.

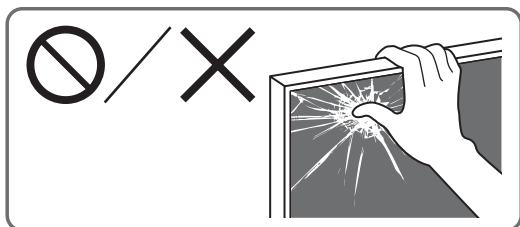
- 6 Vysuňte rameno držáku do konce.



Příprava na montáž televizoru

Poznámka

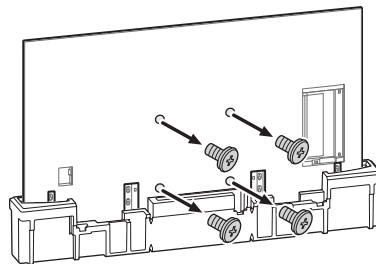
- Vyšroubované šrouby a nepoužité díly uschovejte na bezpečném místě mimo dosah dětí.



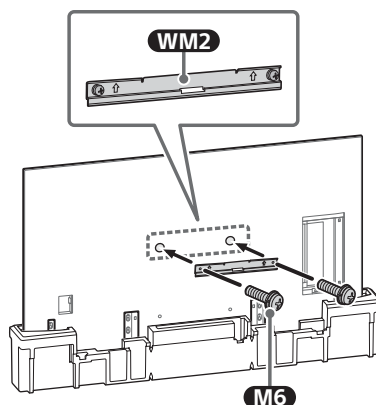
Instalace TV na zeď z obalu*1

*1 Pouze pro některé oblasti/země/modely.

- 1 Vyšroubujte šrouby ze zadní části televizoru.

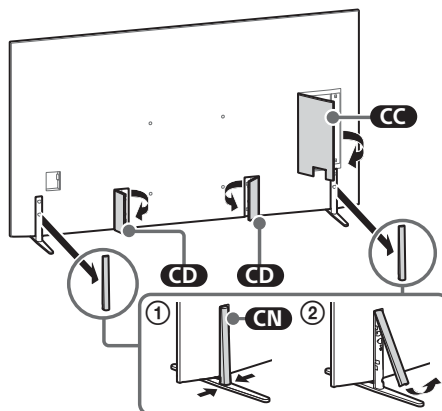


- 2 Připevněte **WM2** k TV s použitím **M6**.

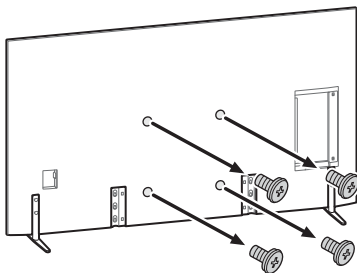


Instalace televizoru na zeď ze stolního stojanu

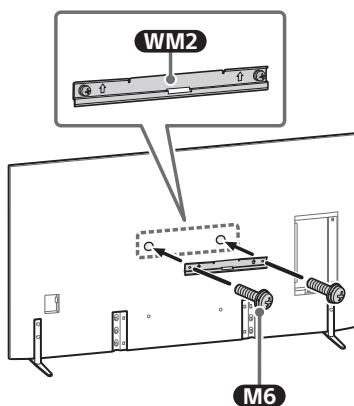
- 1 Sejměte kryty stojanu a kryty konektorů.



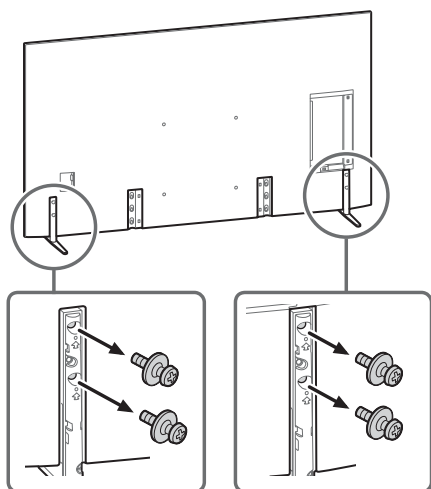
2 Vyšroubujte šrouby ze zadní části televizoru.



3 Připevněte **WM2** k TV s použitím **M6**.



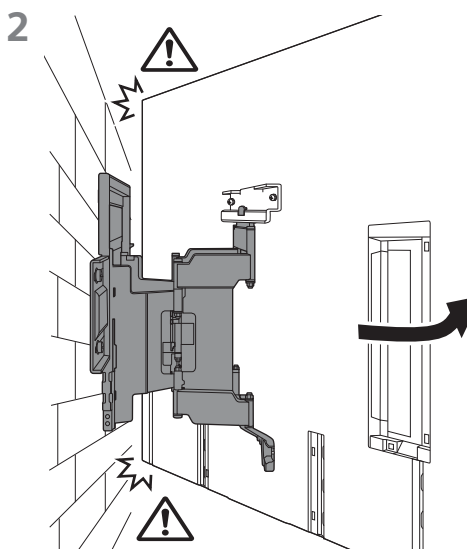
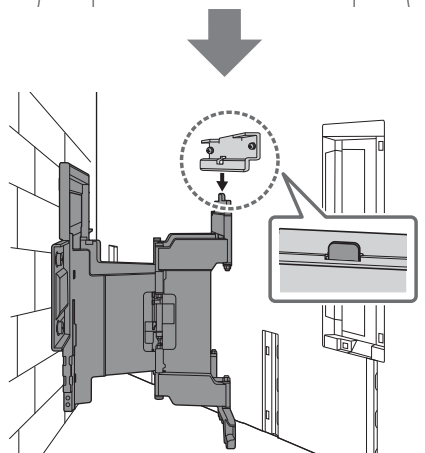
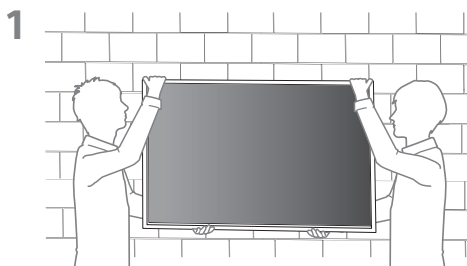
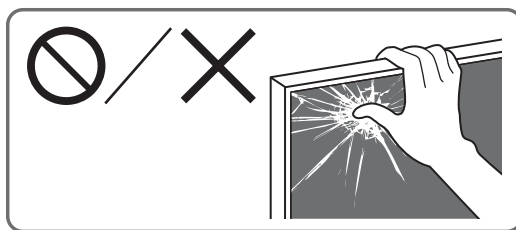
4 Odmontujte stolní stojan od televizoru.



Poznámka

- Při zvedání televizoru buďte opatrní, protože při demontáži stolního stojanu by mohlo dojít k jeho převrácení a ke zranění osob.
- Při demontáži stolního stojanu z televizoru buďte opatrní, aby nedošlo k jeho pádu a poškození povrchu, na němž televizor stojí.

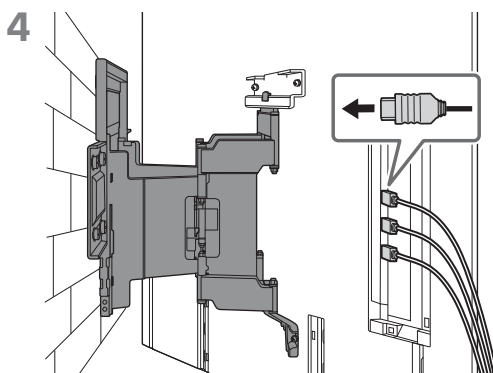
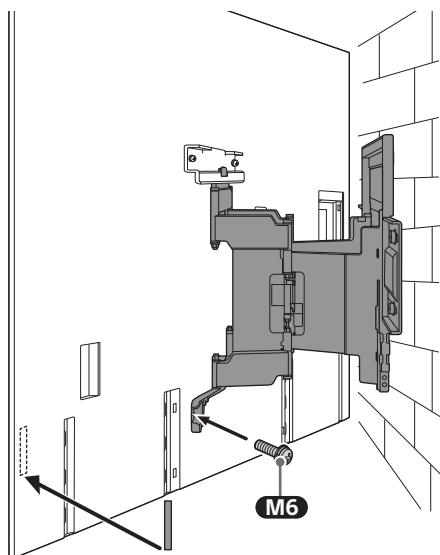
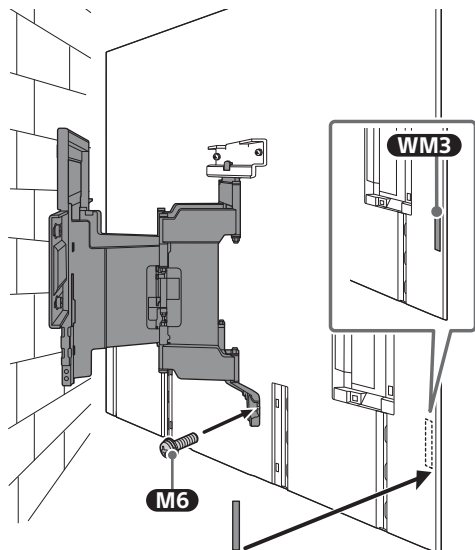
Montáž televizoru na zeď



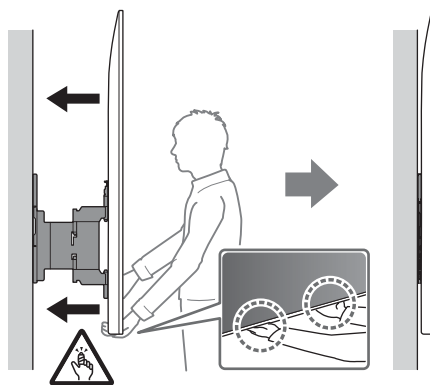
3 Zašroubujte levou a pravou stranu nástěnného držáku pomocí **M6** a připevněte **WM3**.

Poznámka

- Nepřipevňujte **WM3** na štítky.

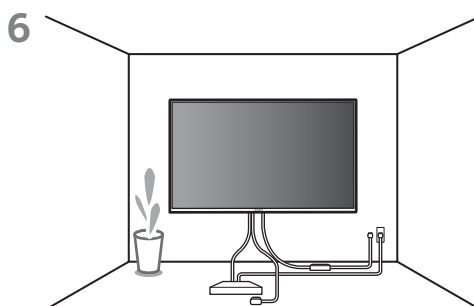


5 Při přemísťování uchopte televizor pevně za spodní část.



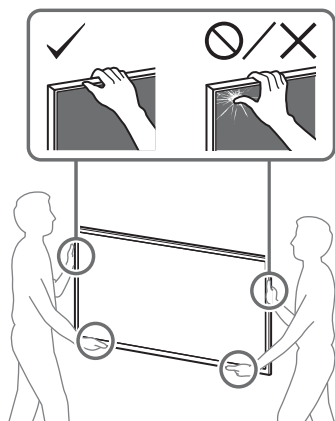
Poznámka

- Televizor nemusí být možné posunout až těsně ke stěně v závislosti na typu a počtu připojených kabelů. Nejedná se o závadu.



VAROVÁNÍ

- Pro přepravu velkých televizorů je zapotřebí dvou nebo více osob (tři nebo více osob pro televizor s rozměrem 189,3 cm (75 palců) a více) (kromě Egypta). Pro přepravu velkých televizorů je zapotřebí dvou nebo více osob (tři nebo více osob pro televizor s rozměrem 75 palců (189,3 cm) a více) (pouze Egypt).



Potvrzení dokončení montáže

Zkontrolujte následující body.

- Šňůry ani kabely nejsou zkrouceny ani skřípnuty.

VAROVÁNÍ

- Nesprávné umístění napájecí šňůry atd. může způsobit požár nebo úraz elektrickým proudem v důsledku zkratu. Z bezpečnostních důvodů je třeba dokončení montáže potvrdit.

Další informace

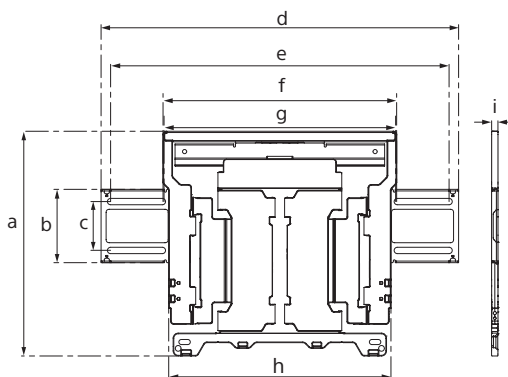
Při demontáži televizoru proveďte uvedený postup v obráceném sledu.

VAROVÁNÍ

- Pro přepravu velkých televizorů je zapotřebí dvou nebo více osob (tři nebo více osob pro televizor s rozměrem 189,3 cm (75 palců) a více) (kromě Egypta). Pro přepravu velkých televizorů je zapotřebí dvou nebo více osob (tři nebo více osob pro televizor s rozměrem 75 palců (189,3 cm) a více) (pouze Egypt).

Technické údaje

WM1



Rozměry: (přibl.) [mm]

a : 354
 b : 116
 c : 77
 d : 563
 e : 533
 f : 370
 g : 368
 h : 350
 i : 11

Hmotnost (pouze základna): (přibl.) [kg]

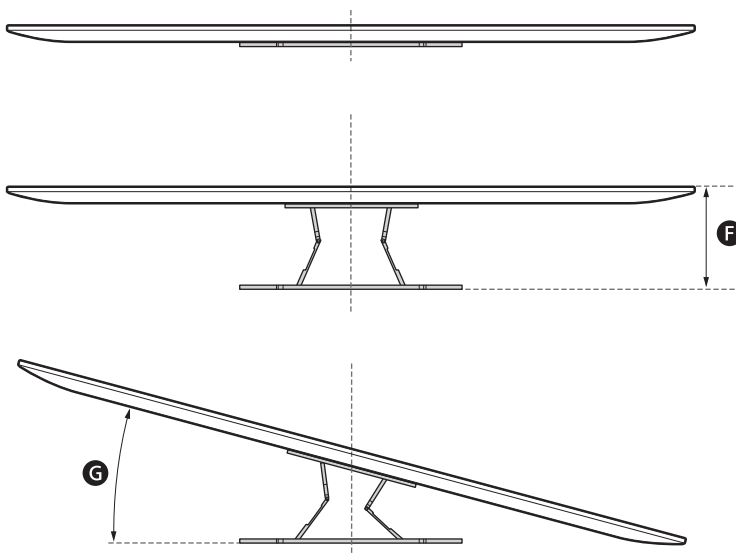
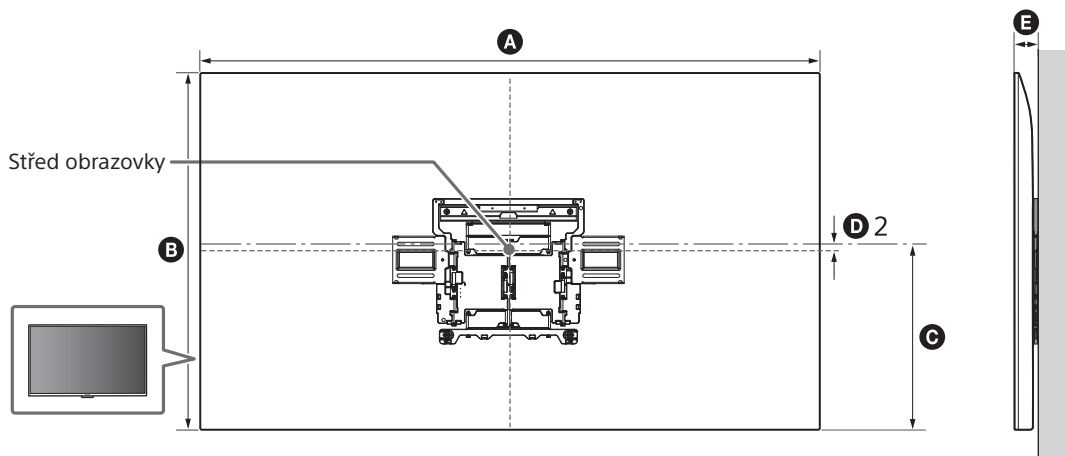
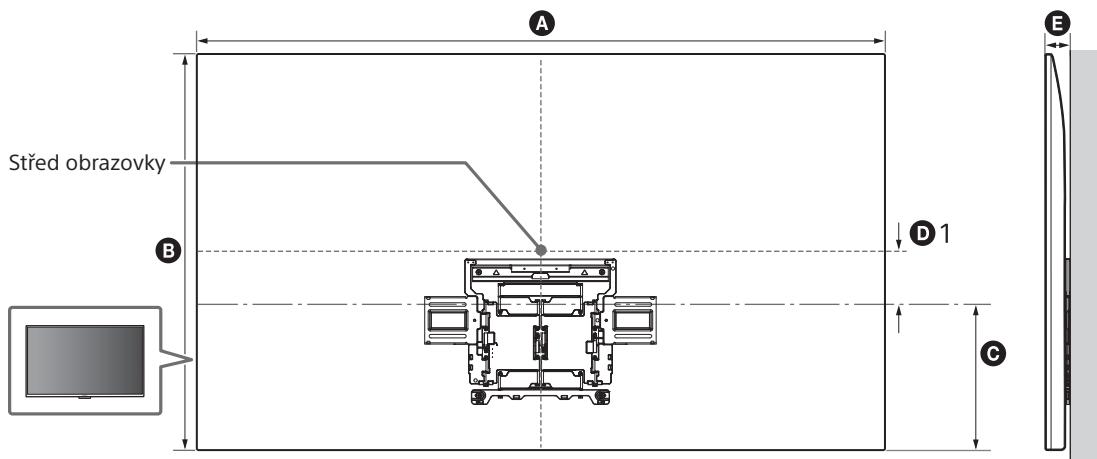
3,0

Vzhled a technické údaje se mohou bez předchozího upozornění změnit.

Referenční údaje

Měření pro montáž nástěnného držáku na zeď

Hodnoty v tabulce se v závislosti na instalaci mohou mírně lišit.



(mm)

Název modelu	A	B	C	D 1	D 2	E	F ^{*1}	G ^{*1} (°)
K-77XR8x	1 713	984	362	139	-	48	251,4	12
K-65XR8x	1 442	829	362	57	-	48	250,8	17
K-55XR8x	1 223	706	362	-	3	48	250,8	19

*1 (Přibl.)

Informácie týkajúce sa používania montážnej konzoly na stenu Sony (SU-WL850)

Podporované modely*1:

*1 V názvoch modelov označujú znaky „x“/„xx“ čísla alebo znaky špecifické pre jednotlivé modely.

K-77XR8x / 65XR8x / 55XR8x

Pre zákazníkov

Z dôvodov ochrany produktu a bezpečnosti spoločnosť Sony odporúča, aby inštaláciu televízneho prijímača vykonali predajcovia spoločnosti Sony alebo licencovaní dodávatelia. Nepokúšajte sa ju nainštalovať sami.

Pre predajcov a dodávateľov spoločnosti Sony

Počas inštalácie, pravidelnej údržby a kontroly tohto produktu venujte plnú pozornosť bezpečnosti.

Inštalácia tohto produktu vyžaduje adekvátne odborné znalosti. Obzvlášť je potrebné určiť, či je stena dostatočne pevná na to, aby udržala hmotnosť televízneho prijímača. Pripevnenie tohto produktu na stenu zverte predajcom alebo licencovaným dodávateľom spoločnosti Sony a počas inštalácie venujte náležitú pozornosť bezpečnosti. Spoločnosť Sony nezodpovedá za žiadne škody ani zranenia spôsobené nevhodnou manipuláciou alebo nesprávnou inštaláciou.

Pre bezpečnosť a správnu inštaláciu postupujte podľa návodu na obsluhu montážnej konzoly na stenu, sprievodcu nastavením televízneho prijímača a podľa pokynov v tomto návode.

Montážna konzola na stenu

Informácie o bezpečnosti

Ďakujeme vám za zakúpenie tohto produktu.

Pre zákazníkov

Montáž TV prijímača na stenu



VÝSTRAHA

INŠTALÁCIU MUSÍ VYKONAŤ ODBORNÍK

Inštaláciu tohto výrobku musí vykonať odborný montér, ktorý je vyškolený, aby dokázal stanoviť únosnosť steny, či unesie hmotnosť televízneho prijímača. Ak počas inštalácie nebude správne zaistený, televízny prijímač môže spadnúť a spôsobiť vážne poranenie. Spoločnosť Sony nie je zodpovedná za žiadnu škodu ani poranenie spôsobené nesprávnou manipuláciou alebo nesprávnou inštaláciou či nainštalovaním iného než uvedeného výrobku. Vaše zákonné práva (ak nejaké máte) nie sú dotknuté.

Pre predajcov produktov spoločnosti Sony

Montáž tohto produktu vyžaduje adekvátne odborné znalosti. V záujme zaistenia bezpečnosti pri montáži si dôkladne prečítajte tento návod na použitie. Spoločnosť Sony nezodpovedá za žiadne škody ani zranenia spôsobené nevhodnou manipuláciou alebo nesprávnou montážou. Po montáži odovzdajte tento návod zákazníkovi.

V tomto návode na použitie je zázornená správna manipulácia s produktom a dôležité bezpečnostné pokyny, účelom ktorých je predísť nehodám. Je vašou zodpovednosťou prečítať si, dôkladne pochopiť a dodržiavať všetky pokyny uvedené v návode na použitie. Opomenutie môže mať za následok vážne poranenie osôb, alebo poškodenie majetku a dôjde k skončeniu platnosti záruky. Návod uschovajte pre budúce použitie.

Produkty od spoločnosti Sony boli navrhnuté s dôrazom na bezpečnosť. Ak sa však produkt používa nesprávne, môže to mať za následok vážne zranenie následkom požiaru, zásahu elektrickým prúdom, prevrhnutia výrobku alebo jeho pádu. Dodržiavajte bezpečnostné pokyny, aby sa podobným nehodám predišlo.

UPOZORNENIE

Špecifikované produkty

Táto montážna konzola na stenu je určená na použitie so špecifikovanými TV prijímačmi. Informácie o tom, či je možné montážnu konzolu na stenu použiť s TV prijímačom, nájdete v referenčnej príručke.

Pre zákazníkov

VÝSTRAHA

V prípade nedodržania bezpečnostných pokynov môže dôjsť k vážnemu zraneniu alebo smrti následkom požiaru, zásahu elektrickým prúdom alebo prevrhnutia výrobku.

Montáž zverte licencovanému dodávateľovi a dbajte na to, aby sa v blízkosti inštalácie nezdržovali deti.

Ak sa montážna konzola na stenu alebo TV prijímač nenamontuje správne, môže dôjsť k nasledujúcim nehodám. Montáž zverte licencovanému dodávateľovi.

- TV prijímač by mohol spadnúť a spôsobiť vážne zranenia, napríklad modriny alebo zlomeniny.
- Ak je stena, na ktorú sa inštaluje montážna konzola na stenu, nestabilná, nerovná alebo nie je v pravom uhle s podlahou, jednotka môže spadnúť a spôsobiť zranenie alebo škody na majetku. Stena musí uniesť hmotnosť rovnajúcu sa aspoň šesťnásobnej hmotnosti televízneho prijímača. (Informácie o hmotnosti TV prijímača nájdete v referenčnej príručke.)
- Ak nie je montážna konzola na stenu namontovaná dostatočne pevne, jednotka môže spadnúť a spôsobiť zranenie alebo škody na majetku.

Premiestňovanie alebo odmontovanie TV prijímača zverte licencovanému dodávateľovi.

Ak TV prijímač prenášajú alebo demontujú iné osoby ako licencovaní dodávatelia, môže spadnúť a spôsobiť zranenie alebo škody na majetku. Na prepravu veľkého TV prijímača sú potrebné dve alebo viac osôb (tri alebo viac osôb pre 189,3 cm (75-palcový) a väčší TV prijímač) (s výnimkou Egypta). Na prepravu veľkého TV prijímača sú potrebné dve alebo viac osôb (tri alebo viac osôb pre 75-palcový (189,3 cm) a väčší TV prijímač) (len Egypt).

Po namontovaní TV prijímača neodstraňujte skrutky.

V opačnom prípade môže TV prijímač spadnúť a spôsobiť zranenie alebo škody na majetku.

Časti montážnej konzoly na stenu neupravujte.

V opačnom prípade môže montážna konzola na stenu spadnúť a spôsobiť zranenie alebo škody na majetku.

Okrem špecifikovaných produktov nemontujte žiadne iné zariadenia.

Táto montážna konzola na stenu je určená na použitie iba so špecifikovanými produktmi. Ak na ňu namontujete iné zariadenie než je špecifikované, môže spadnúť alebo sa rozbiť a spôsobiť zranenie alebo škody na majetku.

Montážnu konzolu na stenu nezaťažujte ničím okrem TV prijímača. TV prijímačom netraste doľava, doprava, nahor ani nadol.

V opačnom prípade môže TV prijímač spadnúť a spôsobiť zranenie alebo škody na majetku.

O TV prijímač sa neopierajte a nevešajte sa naň.

O TV prijímač sa neopierajte a nevešajte sa naň, pretože by mohol na vás spadnúť a spôsobiť vážne zranenie.

UPOZORNENIE

Ak nebudete dodržiavať nasledujúce bezpečnostné pokyny, môže dôjsť k zraneniu alebo škodám na majetku.

- Pri manipulácii s montážnou konzolou na stenu alebo s televíznym prijímačom dávajte pozor, aby ste si neprivreli prsty.
- Televízny prijímač otáčajte opatrne a dávajte pozor, aby ste nezasiahli okolostojace osoby.
- Nepoužité diely uschovajte na bezpečnom mieste, pre budúce použitie. Uschovajte ich mimo dosahu detí.

Počas čistenia alebo údržby netlačte na produkt nadmernou silou.

Netlačte nadmernou silou na hornú časť TV prijímača. V opačnom prípade môže TV prijímač spadnúť a spôsobiť zranenie alebo škody na majetku.

SK

Neumiestňujte tento výrobok blízko zdravotníckych prístrojov.

Tento výrobok (vrátane príslušenstva) obsahuje magnet(y), ktoré môžu rušiť kardiostimulátory, programovateľné bočnikové tlakové ventily na liečbu hydrocefalu alebo iné zdravotnícke prístroje. Neumiestňujte tento výrobok blízko osôb, ktoré používajú takéto zdravotnícke prístroje. Ak používate akýkoľvek takýto zdravotnícky prístroj, pred použitím tohto výrobku sa poraďte so svojim lekárom.

Uchovávať mimo dosahu detí alebo osôb pod dozorom.

Tento výrobok (vrátane príslušenstva) obsahuje magnet(y). Prehltnutie magnetov by mohlo spôsobiť vážnu ujmu, ako je nebezpečenstvo zadusenia alebo zranenie čriev. Ak dôjde k prehltnutiu magnetov (alebo magnetu), ihneď vyhľadajte lekársku pomoc.

Upozornenie

- Ak používate TV prijímač namontovaný na montážnu konzolu na stenu dlhodobu, v závislosti od materiálu steny sa môže zmeniť farba steny za alebo nad TV prijímačom alebo sa môže odlepiť tapeta.
- Po demontáži montážnej konzoly na stenu ostanú v stene otvory na skrutky.
- Montážnu konzolu na stenu nemontujte na miesta, kde bude vystavená mechanickým vibráciám.

Montáž montážnej konzoly na stenu

Pre predajcov produktov spoločnosti Sony

VÝSTRAHA

Nasledujúce pokyny sú určené len pre predajcov produktov spoločnosti Sony. Dôkladne si prečítajte bezpečnostné pokyny uvedené vyššie a počas montáže, údržby a kontroly tohto produktu venujte mimoriadnu pozornosť bezpečnosti.

Montážnu konzolu na stenu neinštalujte na povrch steny, kde budú rohy alebo strany TV prijímača vyčnievať mimo povrchu steny.

Montážnu konzolu na stenu neinštalujte na povrch steny, napríklad na pilier, kde budú rohy alebo strany TV prijímača vyčnievať mimo povrchu steny. Ak osoba alebo predmet narazí do vyčnievajúceho rohu alebo strany TV prijímača, môže dôjsť k zraneniu alebo škodám na majetku.

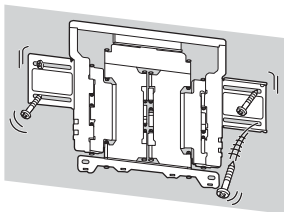


TV prijímač nemontujte nad ani pod klimatizáciu.

Ak je TV prijímač dlhodobu vystavený unikajúcej vode alebo prúdu vzduchu z klimatizácie, môže to mať za následok požiar, zásah elektrickým prúdom alebo poruchu TV prijímača.

Montážnu konzolu na stenu namontujte bezpečne na stenu podľa nasledujúcich pokynov v tomto návode na použitie.

Ak sa ktorákoľvek zo skrutiek uvoľní alebo vypadne, montážna konzola na stenu môže spadnúť a spôsobiť zranenie alebo škody na majetku. Dbajte na to, aby ste použili vhodné skrutky zodpovedajúce materiálu steny a jednotku nainštalovali bezpečne pomocou štyroch skrutiek s priemerom 8 mm (alebo ekvivalentných).



Používajte len dodané skrutky a upevňovacie diely riadne podľa pokynov uvedených v tomto návode na použitie. Ak použijete náhradné diely, TV prijímač môže spadnúť a spôsobiť niekomu zranenie alebo sa môže TV prijímač poškodiť.

Konzolu správne zostavte podľa postupu uvedeného v tomto návode na použitie.

Ak sa ktorákoľvek zo skrutiek uvoľní alebo vypadne, TV prijímač môže spadnúť a spôsobiť niekomu zranenie alebo sa môže TV prijímač poškodiť.

Skrutky pevne utiahnite na vyznačenom mieste.

Ak tak neurobíte, TV prijímač môže spadnúť a spôsobiť niekomu zranenie alebo sa môže TV prijímač poškodiť.

Počas montáže nevystavujte TV prijímač nárazom.

TV prijímač vystavený nárazu môže spadnúť alebo prasknúť. To môže spôsobiť zranenie.

TV prijímač montujte na kolmú a rovnú stenu.

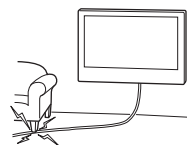
Ak tak neurobíte, TV prijímač môže spadnúť a spôsobiť zranenie.

Po správnej montáži TV prijímača pevne zaistite káble.

Ak sa do káblov zamotajú ľudia alebo predmety, môže dôjsť k zraneniu alebo poškodeniu TV prijímača.

Zabráňte priškrípnutiu napájacieho alebo prepojovacieho kábla.

Keď je napájací alebo prepojovací kábel priškrípnutý medzi jednotkou a stenou alebo nasilu ohnutý alebo skrútený, môžu sa odhaliť vnútorné vodiče, čo môže spôsobiť skrat alebo prerušenie napájania. Mohlo by dôjsť k požiaru alebo zásahu elektrickým prúdom.



Skrutky potrebné na upevnenie montážnej konzoly k stene sa nedodávajú.

Na montáž montážnej konzoly na stenu použite skrutky vhodné pre materiál a konštrukciu steny.

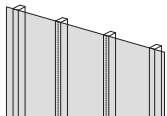
Skôr než začnete

- Obrázky TV prijímača uvedené v tejto príručke sú príklady použité kvôli poskytnutiu jasných vysvetlení pre činnosti. Z tohto dôvodu sa obrázky môžu líšiť od skutočného TV prijímača.

Z čoho je vaša stena skonštruovaná?

Najprv skontrolujte typ steny, na ktorú chcete nainštalovať televízny prijímač.

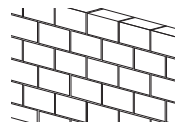
Sadrokartónová stena so stĺpkami



Upozornenie

- Maximálna hrúbka sadrokartónovej steny: 16 mm.
- Rozmer vnútorných drevených stĺpikov musí byť aspoň 51 mm × 102 mm v prípade bežných alebo 38 mm × 89 mm v prípade úzkych.
- Medzi upínacími prvkami musí byť minimálna horizontálna vzdialenosť 406 mm.

Betónový panel a stena z betónových kvádrov



Upozornenie

- Montážnu konzolu na stenu nainštalujte priamo na stenu z betónového panela.
- Hrúbka steny z betónového panela musí byť aspoň 203 mm.
- Hrúbka každého betónového kvádra musí byť aspoň 203 mm × 203 mm × 406 mm.

Kontrola dielov



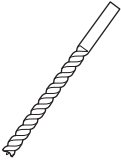
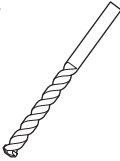
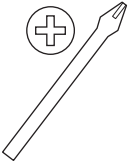
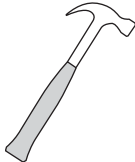
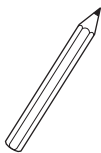

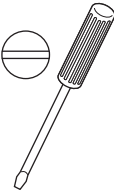
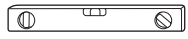


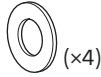
Položky dodávané s montážnou konzolou na stenu SU-WL850

- Skontrolujte, či boli dodané všetky diely.

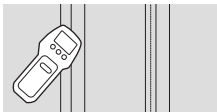
WM1 (x1) 	WM2 (x1) 	WM3 (x4)
M6 (x4) 	WT1 (x6) 	

Príprava na montáž

- Pred inštaláciou si pripravte referenčnú príručku a sprievodcu nastavením televízneho prijímača.
- Stanovte montážnu polohu TV prijímača.
- Pripravte si štyri skrutky s priemerom 8 mm a štyri vhodné podložky (nedodávajú sa). Vyberte skrutky vhodné pre materiál steny.
- Pripravte si nasledujúce náradie:

*1 		 5,5 mm	 10 mm	
*2 		 1,5 N·m {15 kgf·cm}	*3  1,5 N·m {15 kgf·cm}	
	*2  (x4)	*4  (x4) 8 mm × 60 mm	*4  (x4)	

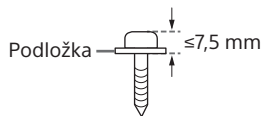
*1 Len v prípade sadrokartónovej steny so stĺpkami



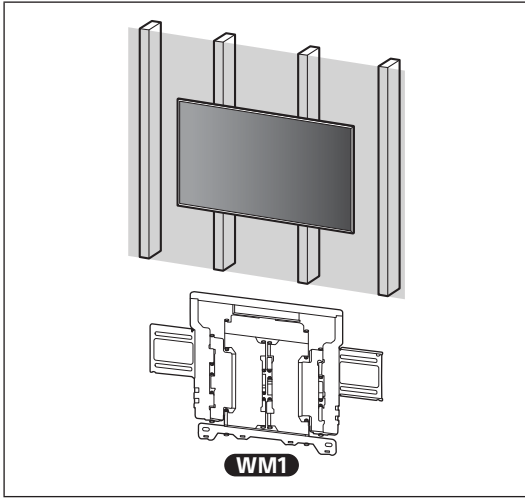
*2 Len v prípade betónového panela a steny z betónových kvádrov

*3 V závislosti od modelu

*4 Pri výbere skrutiek a podložiek dávajte pozor



A Pripevnenie montážnej konzoly na stenu k sadrokartónovej stene so stípkami



Inštalácia montážnej konzoly na stenu na stenu

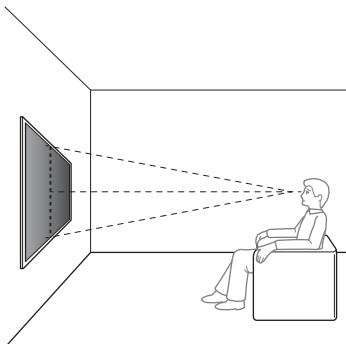
1 Určte miesto montáže.

Uistite sa, že sa na stene nachádza dostatočný priestor pre TV prijímač a že stena má dostatočnú nosnosť, aby uniesla minimálne šesťnásobok hmotnosti TV prijímača.

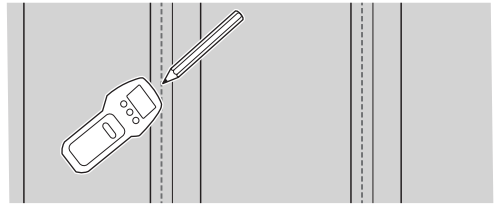
- Pozrite si „Meranie pri inštalácii montážnej konzoly na stenu“ na strane 18.
- Informácie o hmotnosti TV prijímača nájdete v referenčnej príručke TV prijímača.

Poznámka

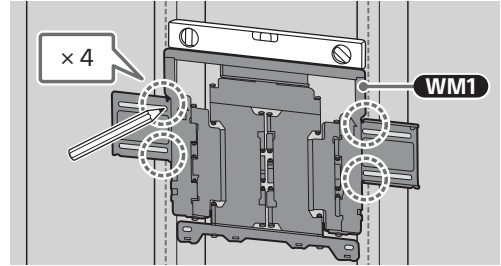
- Keď je televízny prijímač nainštalovaný na stene, horný okraj televízneho prijímača je mierne naklonený dopredu.
- Odporúčame vám skontrolovať polohu televízneho prijímača v prostredí, kde ho budete pozerat.



2



3 Priložte WM1 na stenu a urobte štyri značky na miestach stípkov.

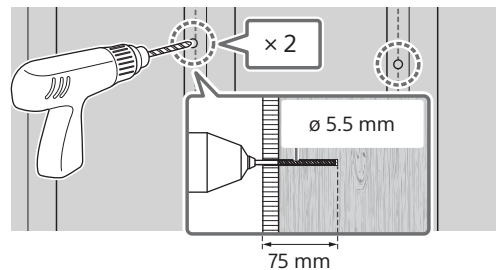


Poznámka

- Pomocou vodováhy skontrolujte vodorovnosť WM1.

4 Na vyznačených miestach vyvrtajte horné vodiace otvory.

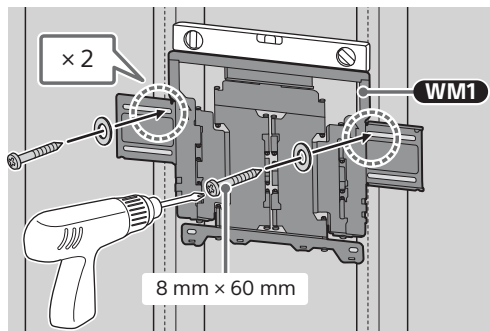
Uistite sa, že miesto na stene na vyvrtanie dier je dostatočne pevné na to, aby unieslo hmotnosť najmenej šesťkrát väčšiu ako hmotnosť TV prijímača.



Poznámka

- Vodiace otvory treba vyvrtat' do hĺbky 75 mm; použite na to vrták s priemerom 5,5 mm.

- 5** **WM1** nainštalujte na stenu; použite na to vhodné skrutky (nedodávajú sa) a podložky (nedodávajú sa).



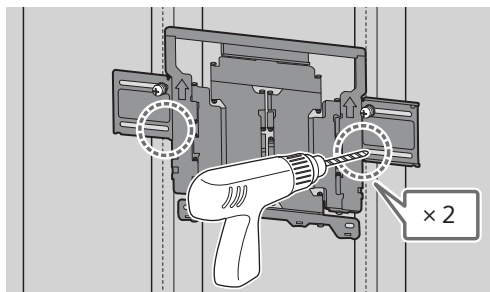
Poznámka

- Pomocou vodováhy skontrolujte vodorovnosť **WM1**.

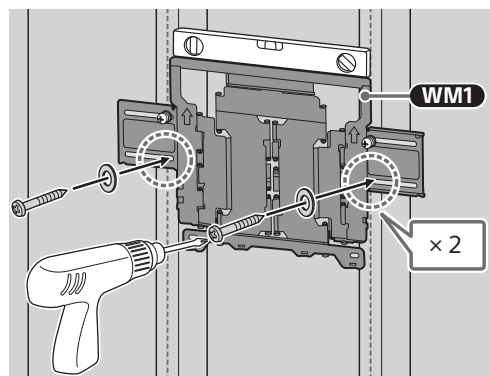
Bezpečnostné upozornenie

- Skrutku 8 mm x 60 mm neťahajte nadmerne. Nesprávne utiahnutie by mohlo znížiť pridržiavaciu schopnosť skrutky 8 mm x 60 mm.

- 6** Na vyznačených miestach vyvrtajte spodné vodiace otvory. (Pokyny na vŕtanie nájdete v kroku 4.)



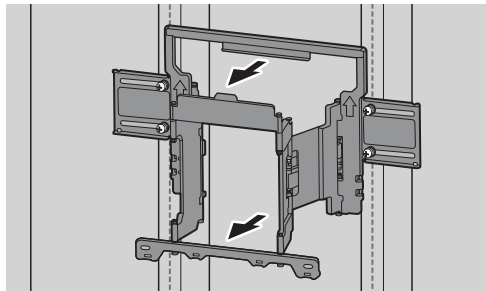
- 7** Do otvorov naskrutkujte vhodné skrutky a podložky.



Poznámka

- Pomocou vodováhy skontrolujte vodorovnosť **WM1**.

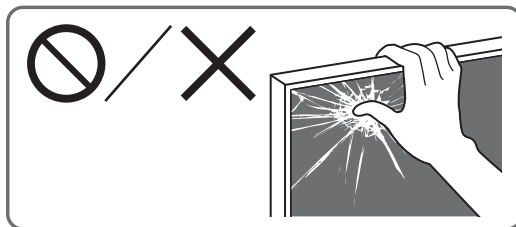
- 8** Rameno montážnej konzoly úplne vyťahnite.



Príprava na montáž TV prijímača

Poznámka

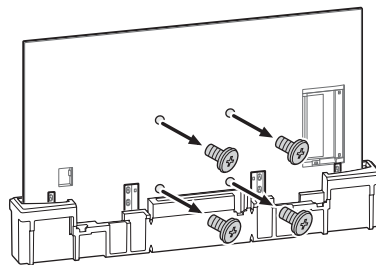
- Odstránené skrutky a nepoužitú časť odložte na bezpečnom mieste mimo dosahu detí.



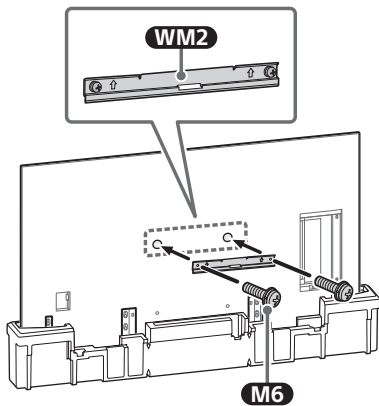
Montáž televízneho prijímača na stenu z kartónu*1

- *1 Len pre obmedzenú oblasť/krajinu/obmedzený model.

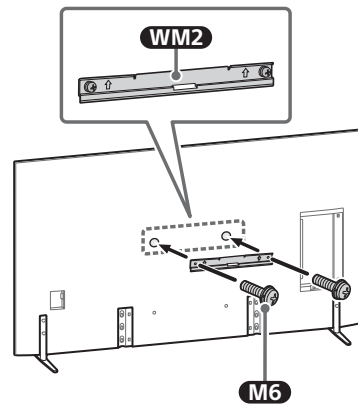
- 1** Odskrutkujte skrutky zo zadnej časti TV prijímača.



- 2 Pomocou **WM2** namontujte televízny prijímač na **M6**.

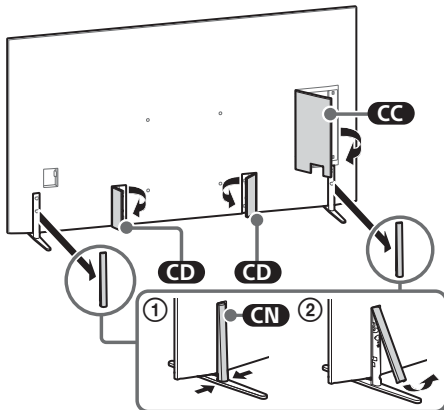


- 3 Pomocou **WM2** namontujte televízny prijímač na **M6**.

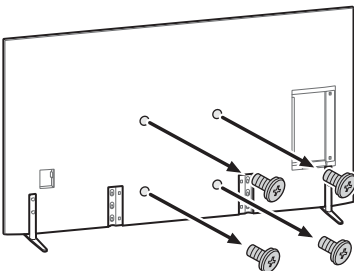


Montáž televízneho prijímača na stenu zo stolového stojana

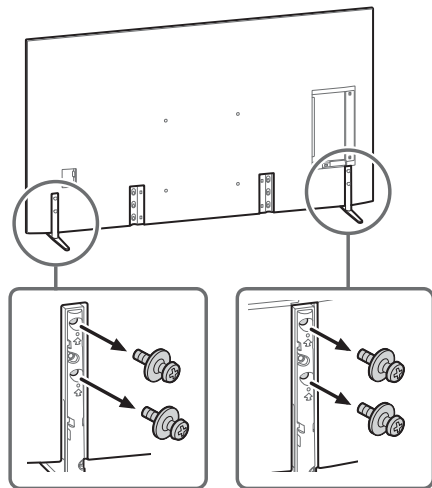
- 1 Odmontujte kryty stojana a kryty konektorov.



- 2 Odskrutkujte skrutky zo zadnej časti TV prijímača.



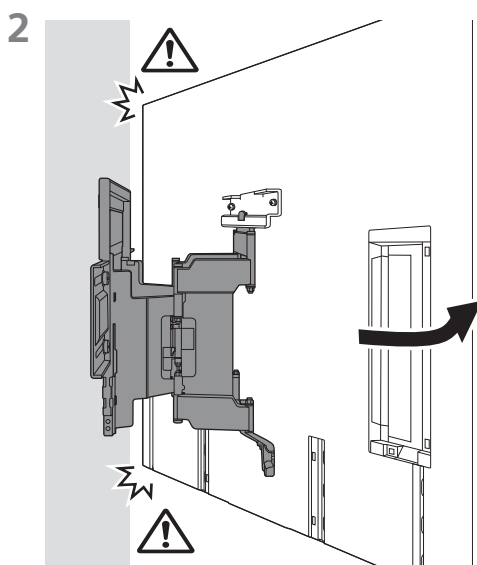
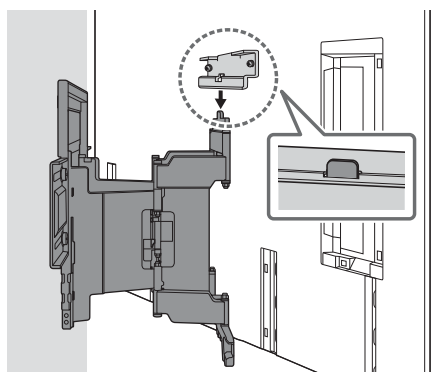
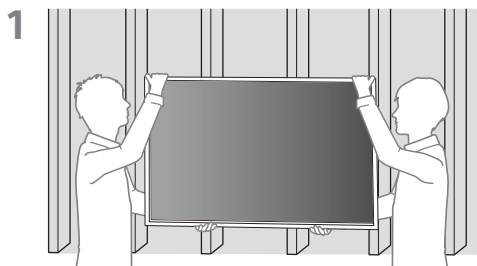
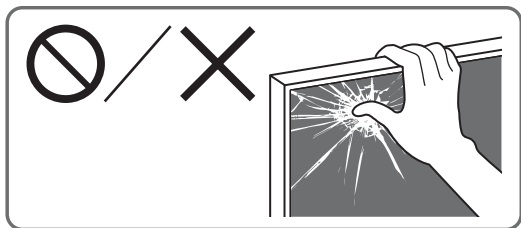
- 4 Odmontujte stolový stojan od TV prijímača.



Poznámka

- Buďte opatrní, keď dvíhate televízny prijímač pri odpájaní stolového stojana – stolový stojan sa môže prevrhnúť a spôsobiť zranenie.
- Pri demontáži stolového stojana z televízneho prijímača buďte opatrní, aby nedošlo k jeho prevrnutiu a poškodeniu povrchu, na ktorom je televízny prijímač postavený.

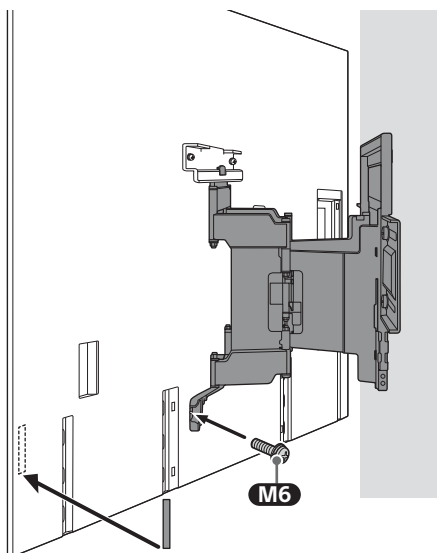
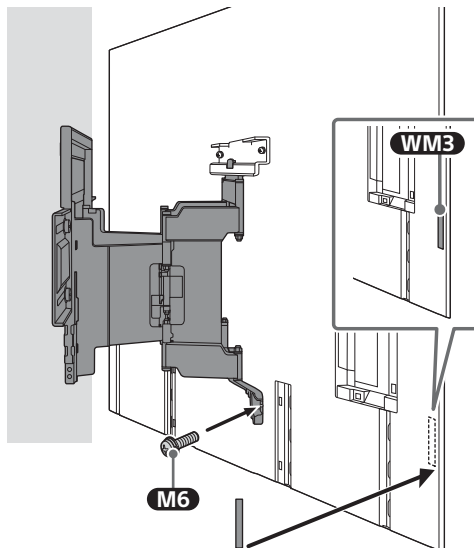
Montáž TV prijímača na stenu

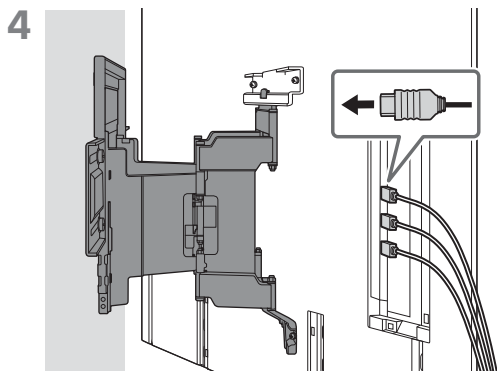


3 Priskrutkujte ľavú a pravú stranu montážnej konzoly na stenu pomocou **M6** a pripevnite **WM3**.

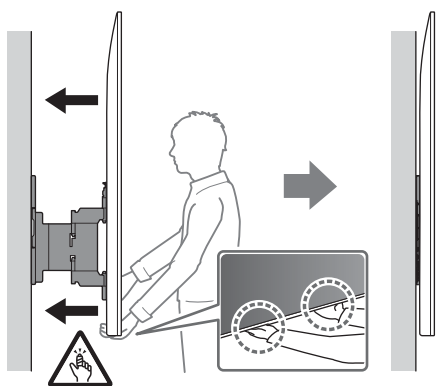
Poznámka

- Nepripájajte **WM3** na štítky.



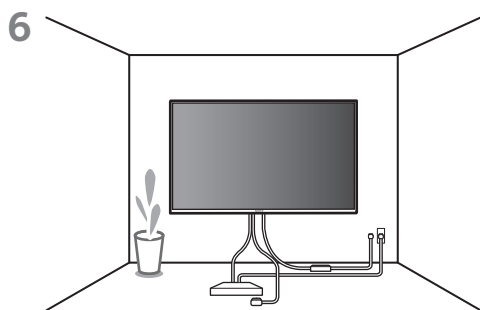


5 Pri pohybovaní s televíznym prijímačom ho pevne držte za spodnú časť.



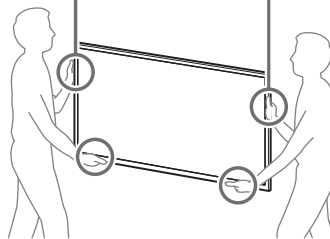
Poznámka

- TV sa nemusí v blízkosti steny pohybovať v závislosti od typu a počtu pripojených káblov. Nie je to porucha.



VÝSTRAHA

- Na prepravu veľkého TV prijímača sú potrebné dve alebo viac osôb (tri alebo viac osôb pre 189,3 cm (75-palcový) a väčší TV prijímač) (s výnimkou Egypta). Na prepravu veľkého TV prijímača sú potrebné dve alebo viac osôb (tri alebo viac osôb pre 75-palcový (189,3 cm) a väčší TV prijímač) (len Egypt).



Kontrola dokončenej montáže

Skontrolujte nasledujúce:

- Káble nie sú skrútené a priškripenuté.

VÝSTRAHA

- Nesprávne umiestnenie napájacieho kábla môže zapríčiniť požiar alebo zásah elektrickým prúdom spôsobený skratom. Z dôvodu bezpečnosti nezabudnite skontrolovať kompletnosť montáže.

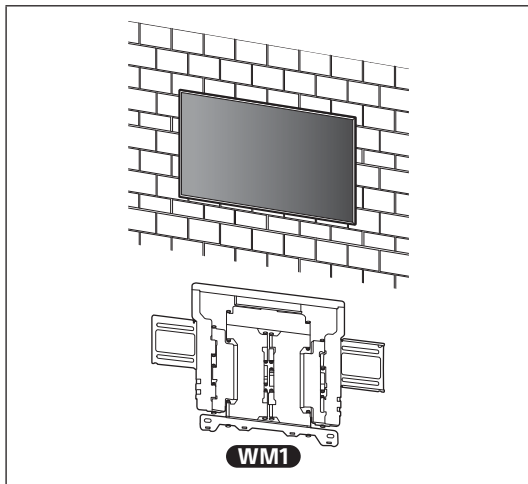
Ďalšie informácie

Pri demontáži TV prijímača zopakujte postup montáže v opačnom poradí.

VÝSTRAHA

- Na prepravu veľkého TV prijímača sú potrebné dve alebo viac osôb (tri alebo viac osôb pre 189,3 cm (75-palcový) a väčší TV prijímač) (s výnimkou Egypta). Na prepravu veľkého TV prijímača sú potrebné dve alebo viac osôb (tri alebo viac osôb pre 75-palcový (189,3 cm) a väčší TV prijímač) (len Egypt).

B Namontovanie montážnej konzoly na stenu na betónový panel alebo stenu z betónových kvádrov



Inštalácia montážnej konzoly na stenu na stenu

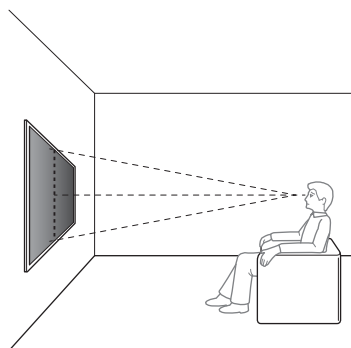
1 Určte miesto montáže.

Uistite sa, že sa na stene nachádza dostatočný priestor pre TV prijímač a že stena má dostatočnú nosnosť, aby uniesla minimálne šesťnásobok hmotnosti TV prijímača.

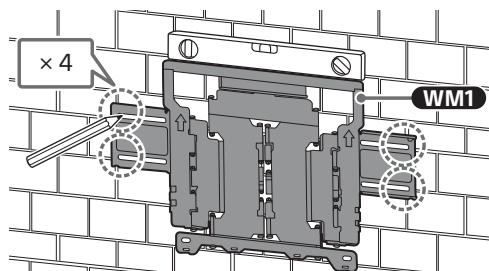
- Pozrite si „Meranie pri inštalácii montážnej konzoly na stenu“ na strane 18.
- Informácie o hmotnosti TV prijímača nájdete v referenčnej príručke TV prijímača.

Poznámka

- Keď je televízny prijímač nainštalovaný na stene, horný okraj televízneho prijímača je mierne naklonený dopredu.
- Odporúčame vám skontrolovať polohu televízneho prijímača v prostredí, kde ho budete pozerať.



2 Priložte WM1 na stenu a urobte štyri značky.

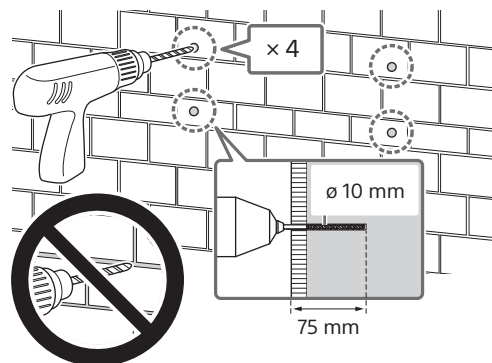


Poznámka

- Pomocou vodováhy skontrolujte vodorovnosť WM1.

3 Do značiek vyvrtajte otvory.

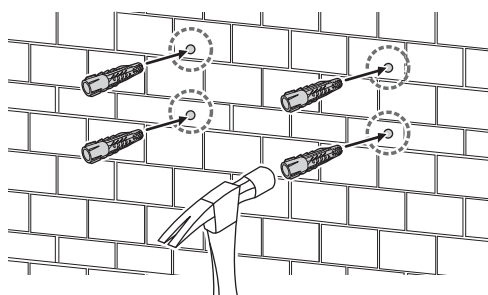
Uistite sa, že miesto na stene na vyvrtanie dier je dostatočne pevné na to, aby unieslo hmotnosť najmenej šesťkrát väčšiu ako hmotnosť TV prijímača.



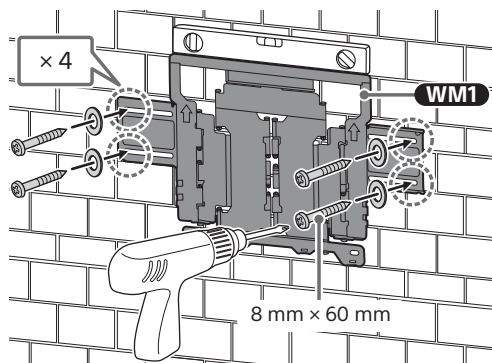
Poznámka

- Vodiace otvory treba vyvrtávať do hĺbky 75 mm; použite na to vrták s priemerom 10 mm.

4



- 5 **WM1** nainštalujte na stenu; použite na to vhodné skrutky (nedodávajú sa) a podložky (nedodávajú sa).



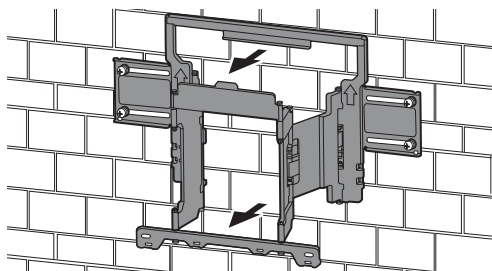
Poznámka

- Pomocou vodováhy skontrolujte vodorovnosť **WM1**.

Bezpečnostné upozornenie

- Skrutku 8 mm x 60 mm neťahajte nadmerne. Nesprávne utiahnutie by mohlo znížiť pridržiavaciu schopnosť skrutky 8 mm x 60 mm.

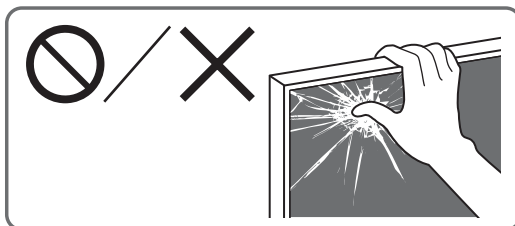
- 6 Rameno montážnej konzoly úplne vytiahnite.



Príprava na montáž TV prijímača

Poznámka

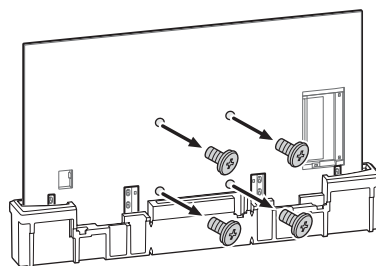
- Odstránené skrutky a nepoužité časti odložte na bezpečnom mieste mimo dosahu detí.



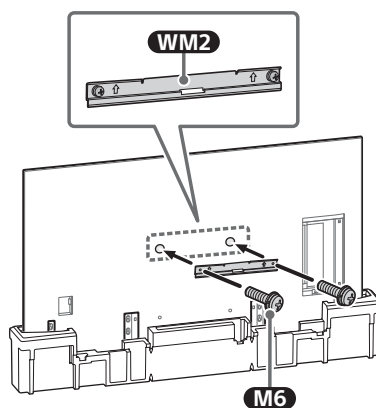
Montáž televízneho prijímača na stenu z kartónu*1

- *1 Len pre obmedzenú oblasť/krajinu/obmedzený model.

- 1 Odskrutkujte skrutky zo zadnej časti TV prijímača.

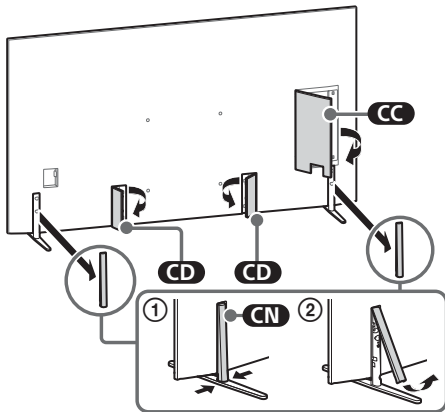


- 2 Pomocou **WM2** namontujte televízny prijímač na **M6**.

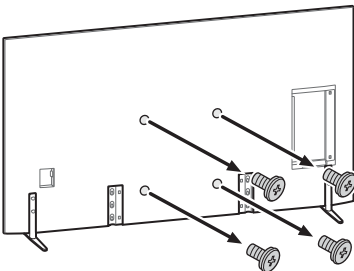


Montáž televízneho prijímača na stenu zo stolového stojana

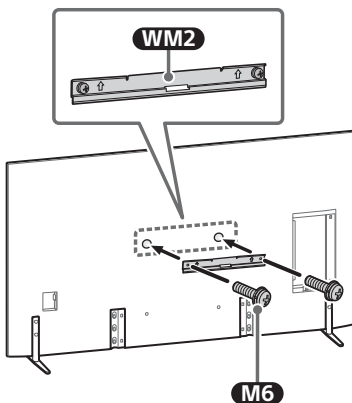
- 1 Odmontujte kryty stojana a kryty konektorov.



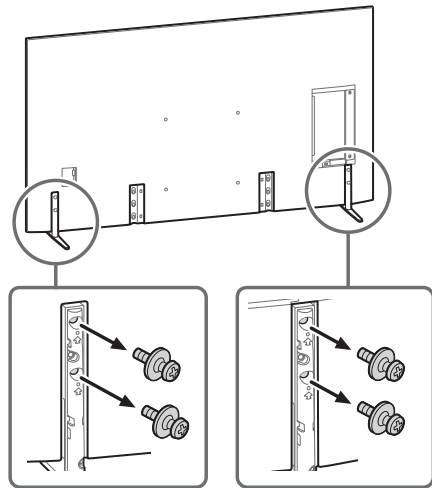
- 2 Odskrutkujte skrutky zo zadnej časti TV prijímača.



- 3 Pomocou **WM2** namontujte televízny prijímač na **M6**.



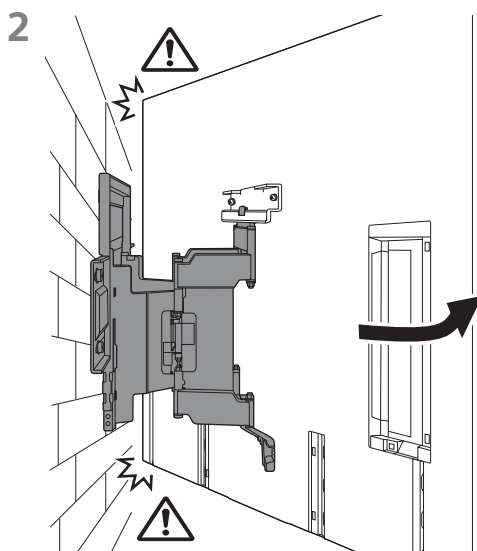
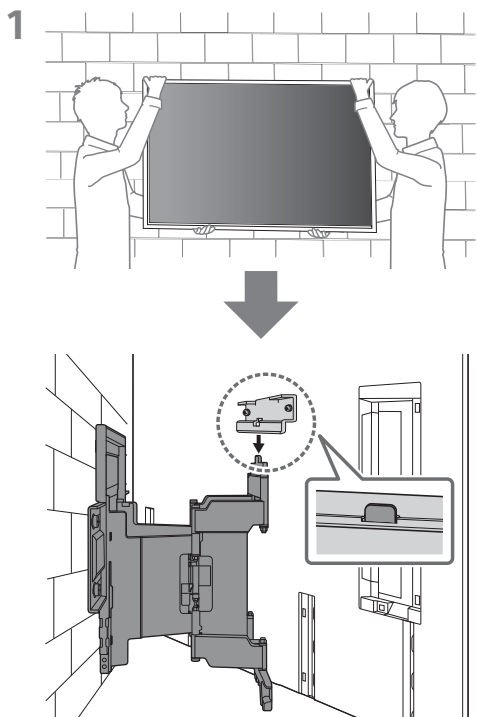
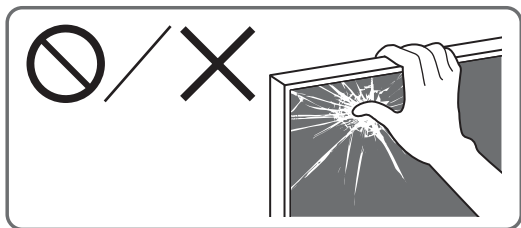
- 4 Odmontujte stolový stojan od TV prijímača.



Poznámka

- Buďte opatrní, keď dvíhate televízny prijímač pri odpájaní stolového stojana – stolový stojan sa môže prevrhnúť a spôsobiť zranenie.
- Pri demontáži stolového stojana z televízneho prijímača buďte opatrní, aby nedošlo k jeho prevrnutiu a poškodeniu povrchu, na ktorom je televízny prijímač postavený.

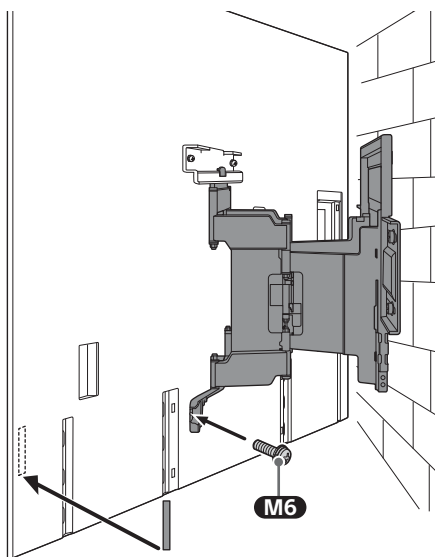
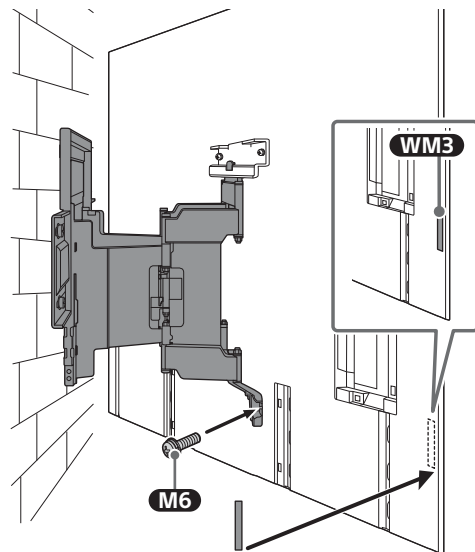
Montáž TV prijímača na stenu

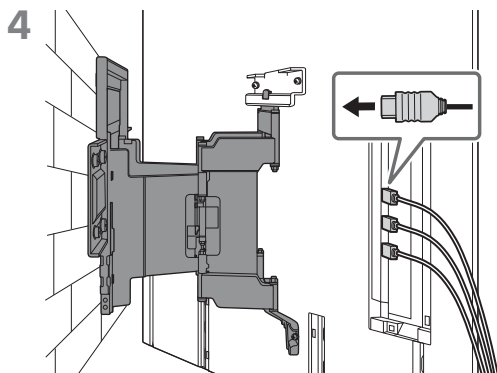


3 Priskrutkujte ľavú a pravú stranu montážnej konzoly na stenu pomocou **M6** a pripevnite **WM3**.

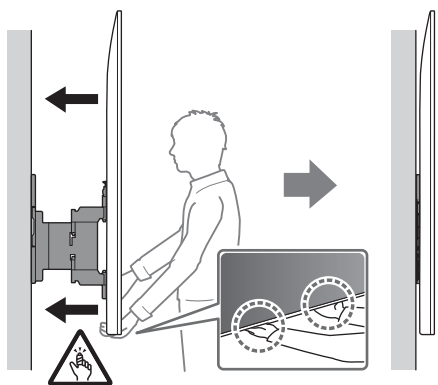
Poznámka

- Nepripájajte **WM3** na štítky.



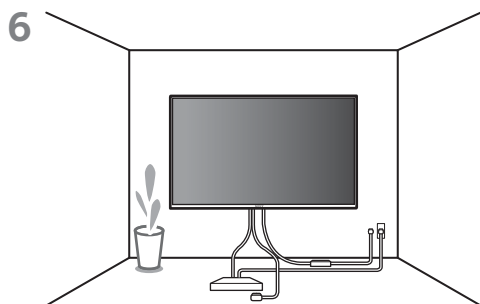


5 Pri pohybovaní s televíznym prijímačom ho pevne držte za spodnú časť.



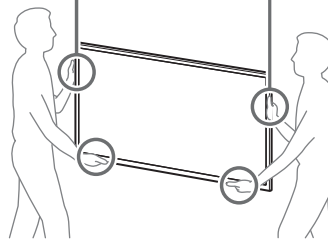
Poznámka

- TV sa nemusí v blízkosti steny pohybovať v závislosti od typu a počtu pripojených káblov. Nie je to porucha.



VÝSTRAHA

- Na prepravu veľkého TV prijímača sú potrebné dve alebo viac osôb (tri alebo viac osôb pre 189,3 cm (75-palcový) a väčší TV prijímač) (s výnimkou Egypta). Na prepravu veľkého TV prijímača sú potrebné dve alebo viac osôb (tri alebo viac osôb pre 75-palcový (189,3 cm) a väčší TV prijímač) (len Egypt).



Kontrola dokončenej montáže

Skontrolujte nasledujúce:

- Káble nie sú skrútené a priškripanuté.

VÝSTRAHA

- Nesprávne umiestnenie napájacieho kábla môže zapríčiniť požiar alebo zásah elektrickým prúdom spôsobený skratom. Z dôvodu bezpečnosti nezabudnite skontrolovať kompletnosť montáže.

Ďalšie informácie

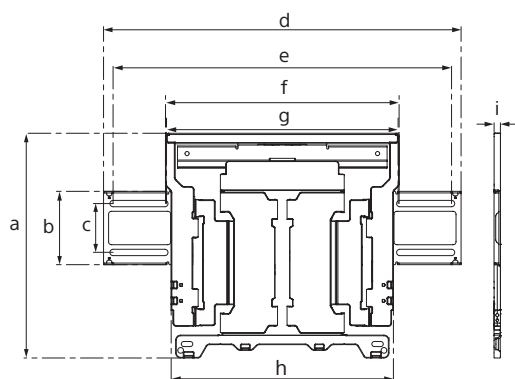
Pri demontáži TV prijímača zopakujte postup montáže v opačnom poradí.

VÝSTRAHA

- Na prepravu veľkého TV prijímača sú potrebné dve alebo viac osôb (tri alebo viac osôb pre 189,3 cm (75-palcový) a väčší TV prijímač) (s výnimkou Egypta). Na prepravu veľkého TV prijímača sú potrebné dve alebo viac osôb (tri alebo viac osôb pre 75-palcový (189,3 cm) a väčší TV prijímač) (len Egypt).

Technické údaje

WM1



Rozmery: (pribl.) [mm]

a : 354

b : 116

c : 77

d : 563

e : 533

f : 370

g : 368

h : 350

i : 11

Hmotnosť (len podstavec): (pribl.) [kg]

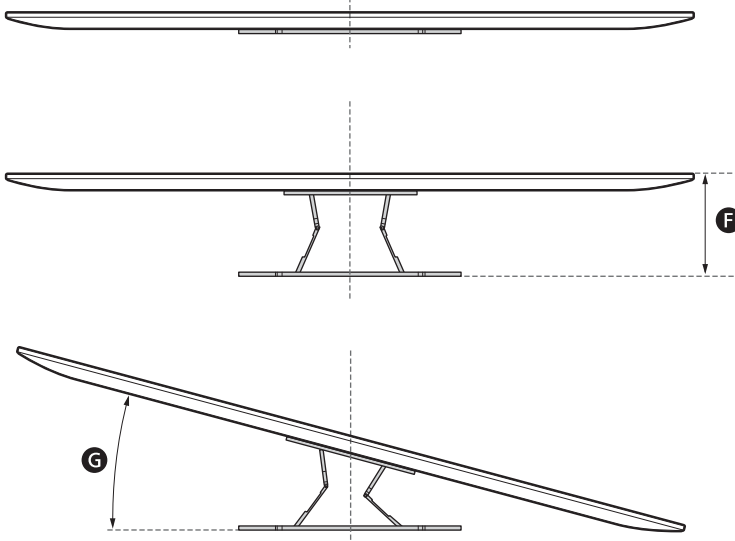
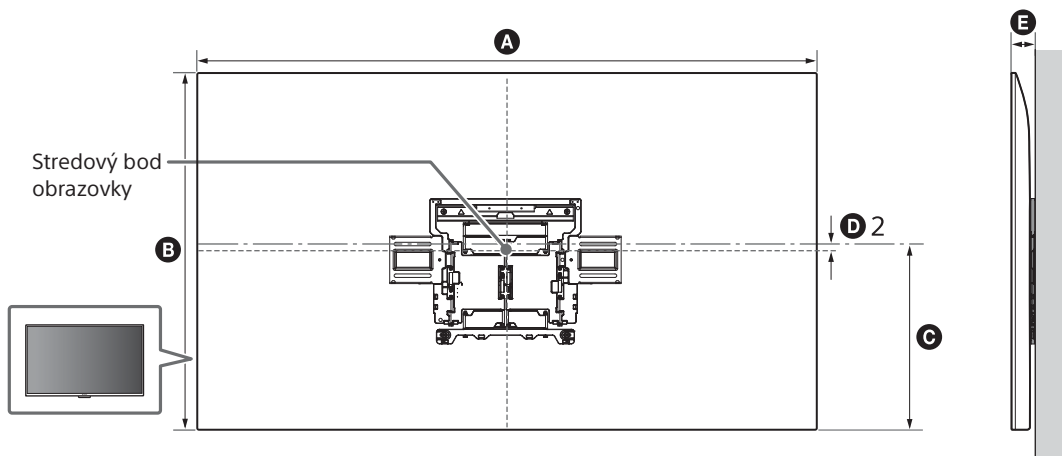
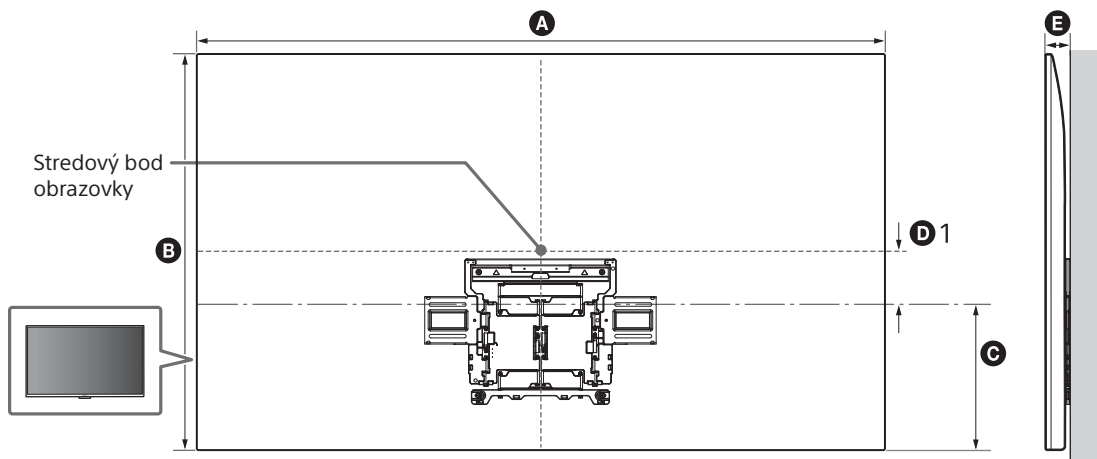
3,0

Dizajn a technické údaje sa môžu zmeniť bez upozornenia.

Referencie

Meranie pri inštalácii montážnej konzoly na stenu

Čísla v tabuľke sa môžu v závislosti od inštalácie mierne líšiť.



(mm)

Názov modelu	A	B	C	D 1	D 2	E	F ^{*1}	G ^{*1} (°)
K-77XR8x	1 713	984	362	139	-	48	251,4	12
K-65XR8x	1 442	829	362	57	-	48	250,8	17
K-55XR8x	1 223	706	362	-	3	48	250,8	19

*1 (Pribl.)

Informații de instalare pentru utilizarea dispozitivului de montare pe perete Sony (SU-WL850)

Modele acceptate*1:

*1 Pentru numele modelului actual, „x”/„xx” indică numărul și/sau caracterele specifice pentru fiecare model.

K-77XR8x / 65XR8x / 55XR8x

Pentru clienți

Pentru protecția produsului și din motive de siguranță, Sony recomandă insistent ca instalarea televizorului dumneavoastră să fie efectuată de distribuitori sau contractori licențiați Sony. Nu încercați să îl instalați personal.

Pentru distribuitorii și contractorii Sony

Acordați atenție totală siguranței în timpul instalării, întreținerii periodice și examinării acestui produs.

Este necesară o experiență suficientă pentru instalarea acestui produs, mai ales pentru a determina rezistența peretelui pentru susținerea greutății televizorului. Încredințați fixarea pe perete a acestui produs distribuitorilor sau contractorilor licențiați Sony și acordați o atenție adecvată siguranței în timpul instalării. Compania Sony nu este răspunzătoare pentru daune materiale sau vătămări corporale cauzate de manipularea inadecvată sau de instalarea necorespunzătoare.

Pentru instalarea corectă și în siguranță, respectați instrucțiunile de utilizare a dispozitivului de montare pe perete, ghidul de configurare a televizorului și instrucțiunile din prezentul manual.

Dispozitiv de montare pe perete

Despre siguranță

Vă mulțumim pentru achiziționarea acestui produs.

Pentru clienți

Montarea televizorului pe perete



AVERTISMENT

INSTALARE PROFESIONALĂ NECESARĂ

Acest produs trebuie instalat exclusiv de către un instalator profesionist, instruit să identifice rezistența peretelui care va trebui să susțină greutatea TV. Dacă nu este fixat corespunzător la instalare, TV-ul ar putea cădea și ar putea provoca vătămări grave. Sony nu își asumă răspunderea pentru daunele sau vătămările cauzate de manipularea necorespunzătoare sau instalarea greșită, sau instalarea altor produse decât cel specificat. Drepturile dvs. prevăzute de lege (dacă există) nu sunt afectate.

Pentru distribuitorii Sony

Pentru instalarea acestui produs este necesar un nivel suficient de experiență. Citiți cu atenție acest manual de instrucțiuni, pentru a efectua operațiile de instalare în siguranță. Sony nu este responsabilă pentru niciun fel de daune materiale sau vătămări corporale determinate de manipularea eronată sau de instalarea inadecvată. Înmânați acest manual clientului după instalare.

Acest manual de instrucțiuni prezintă modul de manipulare corectă a produsului și măsurile importante de precauție necesare pentru prevenirea accidentelor. Aveți responsabilitatea să citiți, să înțelegeți clar și să respectați toate instrucțiunile din acest manual de instrucțiuni. În caz contrar, pot rezulta vătămări corporale sau daune materiale grave ce ar putea conduce la anularea garanției. Păstrați acest manual disponibil pentru consultări ulterioare.

Produsele Sony sunt proiectate ținând cont de siguranță. Totuși, dacă produsele sunt utilizate incorect, pot avea ca rezultat producerea de grave vătămări corporale prin incendiu, electrocutare, răsturnarea sau căderea produsului. Respectați măsurile de precauție pentru siguranță, în vederea evitării unor asemenea accidente.

ATENȚIE

Produse specificate

Acest dispozitiv de montare pe perete este proiectat în vederea utilizării cu televizoarele specificate. Pentru televizoare, citiți ghidul de referință pentru a verifica dacă dispozitivul de montare pe perete poate fi utilizat.

Pentru clienți

AVERTISMENT

Dacă următoarele măsuri de precauție nu sunt respectate, pot rezulta grave vătămări corporale sau deces prin incendiu, electrocutare sau căderea produsului.

Subcontractați instalarea produsului unor contractori licențiați și țineți copiii mici la distanță în timpul instalării.

Dacă dispozitivul de montare pe perete sau televizorul nu este corect instalat, se pot produce următoarele accidente. Aveți grijă ca instalarea să fie efectuată de către contractori licențiați.

- Televizorul poate cădea și poate cauza grave vătămări corporale, precum contuzii sau o fractură.
- Dacă peretele pe care este instalat dispozitivul de montare pe perete este instabil, nu este plan sau nu este perpendicular pe podea, aparatul poate cădea și poate cauza vătămări corporale sau daune materiale. Peretele trebuie să poată susține o greutate de cel puțin șase ori mai mare decât greutatea TV-ului. (Consultați ghidul de referință al televizorului pentru a-i determina greutatea.)
- Dacă instalarea dispozitivului de montare pe perete nu este suficient de rezistentă, aparatul poate cădea și poate cauza vătămări corporale sau daune materiale.

Contractați operațiile de montare sau demontare a televizorului unor contractori licențiați.

Dacă persoane în afara unor contractori licențiați transportă sau demontează televizorul, acesta poate cădea și poate cauza vătămări corporale sau daune materiale. Pentru transportul unui televizor de mari dimensiuni, este nevoie de două sau mai multe persoane (trei sau mai multe persoane pentru televizoarele cu diagonală mai mare sau egală cu 189,3 cm (75 inci)) (cu excepția Egipt).

Pentru transportul unui televizor de mari dimensiuni, este nevoie de două sau mai multe persoane (trei sau mai multe persoane pentru televizoarele cu diagonală mai mare sau egală cu 75 inci (189,3 cm)) (numai Egipt).

Nu demontați șuruburile, etc., după montarea televizorului.

În caz contrar, televizorul poate cădea și poate cauza vătămări corporale sau daune materiale.

Nu aduceți modificări componentelor dispozitivului de montare pe perete.

În caz contrar, dispozitivul de montare pe perete poate cădea și poate cauza vătămări corporale sau daune materiale.

Nu montați alte echipamente în afara produsului specificat.

Acest dispozitiv de montare pe perete este proiectat numai în vederea utilizării cu produsul specificat. Dacă montați alt echipament decât cel specificat, acesta poate cădea sau se poate sparge și poate cauza vătămări corporale sau daune materiale.

Nu aplicați altă sarcină în afara televizorului pe dispozitivul de montare pe perete. Nu zdruncinați televizorul stânga/dreapta, sus/jos.

În caz contrar, televizorul poate cădea și poate cauza vătămări corporale sau daune materiale.

Nu vă rezemați pe și nu vă agățați de televizor.

Nu vă rezemați pe și nu vă agățați de televizor, deoarece acesta poate cădea și poate cauza grave vătămări corporale.

ATENȚIE

Dacă următoarele măsuri de precauție nu sunt respectate, se pot produce vătămări corporale sau daune materiale.

- Aveți grijă să nu vă prindeți degetele la manipularea dispozitivului de montare pe perete sau la rotirea TV-ului.
 - În timp ce pivotați setul TV, manevrați cu atenție și aveți grijă să nu loviți persoanele din apropiere.
 - Asigurați-vă că depozitați componentele neutilizate în siguranță, pentru utilizări viitoare.
- Nu le lăsați la îndemâna copiilor.

Nu manipulați produsul cu forță excesivă în timpul curățării sau al întreținerii.

Nu aplicați o forță excesivă în partea de sus a televizorului. În caz contrar, televizorul poate cădea și poate cauza vătămări corporale sau daune materiale.

Nu amplasați acest produs în apropierea dispozitivelor medicale.

Acest produs (inclusiv accesoriile) conține unu sau mai mulți magneți care pot interfera cu stimulatoarele cardiace, șunturile ventriculo-peritoneale programabile pentru tratarea hidrocefaliei sau alte dispozitive medicale. Nu amplasați acest produs în apropierea persoanelor care utilizează astfel de dispozitive medicale. Solicitați sfatul medicului înainte de a utiliza acest produs dacă folosiți astfel de dispozitive medicale.

A nu se lăsa la îndemâna copiilor sau a persoanelor aflate sub supraveghere.

Acest produs (inclusiv accesoriile) conține unu sau mai mulți magneți. Înghițirea magnetului/magneților poate cauza vătămări grave, de exemplu sufocare sau leziuni intestinale. Dacă magneții (sau un singur magnet) au fost înghițiți, consultați imediat medicul.

Măsurile de precauție

- Dacă utilizați timp îndelungat televizorul instalat pe dispozitivul de montare pe perete, peretele din spatele sau de deasupra televizorului se poate decolora, iar tapetul se poate desprinde, în funcție de materialul peretelui.
- Dacă dispozitivul de montare pe perete este demontat după instalarea sa pe perete, în perete vor rămâne orificiile pentru șuruburi.
- Nu utilizați dispozitivul de montare pe perete într-o locație unde este supus la vibrații mecanice.

Instalarea dispozitivului de montare pe perete

Pentru distribuitorii Sony

AVERTISMENT

Următoarele instrucțiuni sunt destinate numai distribuitorilor Sony. Citiți măsurile de precauție descrise mai sus și acordați o atenție specială siguranței în timpul instalării, al întreținerii și verificării acestui produs.

Nu instalați dispozitivul de montare pe perete pe suprafețe ale peretelui unde colțurile sau părțile laterale ale televizorului ies în afară față de suprafața peretelui.

Nu instalați dispozitivul de montare pe perete pe suprafețe ale peretelui precum un stâlp, unde colțurile sau părțile laterale ale televizorului ies în afară față de suprafața peretelui. Dacă se întâmplă ca o persoană sau un obiect să lovească partea sau colțul ieșit în afară al televizorului, acest lucru poate cauza vătămări corporale sau daune materiale.

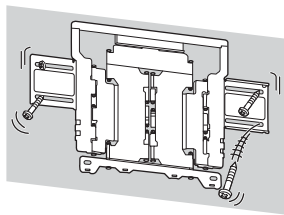


Nu instalați televizorul deasupra unei instalații de aer condiționat sau dedesubtul acesteia.

Dacă televizorul este expus timp îndelungat la scurgeri de apă sau la curenți de aer proveniți de la o instalație de aer condiționat, se pot produce incendii, șocuri electrice sau defecțiuni ale televizorului.

Instalați dispozitivul de montare pe perete în condiții de siguranță, urmând indicațiile din acest manual de instrucțiuni.

Dacă oricare dintre șuruburi sunt slăbite sau cad, dispozitivul de montare pe perete poate cădea și poate cauza vătămări corporale sau daune materiale. Utilizați șuruburi corespunzătoare pentru materialul peretelui și instalați unitatea cu rezistență suficientă, utilizând patru șuruburi cu diametru de 8 mm (sau echivalent).



Utilizați corespunzător șuruburile și piesele de montaj furnizate, urmând instrucțiunile din acest manual de instrucțiuni. Dacă utilizați elemente înlocuitoare, televizorul poate cădea și poate cauza vătămări corporale sau deteriorarea televizorului.

Asamblați dispozitivul de montare pe perete în mod corespunzător, urmând procedura explicată în acest manual de instrucțiuni.

Dacă oricare dintre șuruburi sunt slăbite sau cad, televizorul poate cădea și poate cauza vătămări corporale sau deteriorarea televizorului.

Strângeți adecvat șuruburile în poziția indicată.

În caz contrar, televizorul poate cădea și poate cauza vătămări corporale sau deteriorarea televizorului.

Nu supuneți televizorul la șocuri pe durata instalării.

Dacă televizorul este expus la șocuri, poate cădea sau se poate sparge. Aceasta poate cauza vătămări corporale.

Instalați televizorul pe un perete plan și perpendicular pe podea.

În caz contrar, televizorul poate cădea și poate cauza vătămări corporale.

După instalarea corectă a televizorului, fixați cablurile în mod corespunzător.

Dacă oameni sau obiecte se încurcă în cabluri, aceasta poate duce la vătămări corporale sau la deteriorarea televizorului.

Nu permiteți ciupirea/perforarea cablului de alimentare în curent alternativ și nici a cablului de conexiune.

În cazul în care cablul de alimentare în curent alternativ sau cablul de conexiune sunt ciupite/perforate între aparat și perete sau sunt îndoite sau răsucite forțat, conductorii interni pot deveni expuși și pot cauza un scurtcircuit sau o întrerupere a alimentării cu energie electrică. Aceasta poate determina incendii sau un șoc electric.



Șuruburile necesare pentru fixarea dispozitivului de montare pe perete nu sunt furnizate.

Utilizați șuruburile corespunzătoare pentru materialul și structura peretelui la fixarea dispozitivului de montare pe perete.

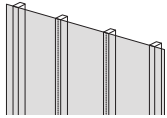
Înainte de a începe

- Ilustrațiile televizoarelor prezentate în acest manual sunt exemple utilizate pentru a oferi explicații clare ale operațiilor. Din acest motiv, ilustrațiile pot apărea diferite față de cele ale televizorului real.

Din ce este realizat peretele?

Mai întâi, verificați tipul peretelui pe care veți instala televizorul.

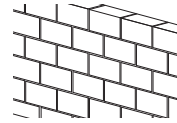
Gips-carton cu știfturi



Măsurile de precauție

- Grosimea maximă a peretelui de gips-carton: 16 mm.
- Asigurați-vă că dimensiunea știfturilor de lemn interioare este cel puțin 51 mm × 102 mm (normal) sau de cel puțin 38 mm × 89 mm (nominal).
- Mențineți un spațiu minim de 406 mm pe orizontală între dispozitivele de fixare.

O singură bucată de beton sau mai multe blocuri de beton



Măsurile de precauție

- Montați dispozitivul de montare pe perete direct pe peretele dintr-o singură bucată de beton.
- Asigurați-vă că grosimea peretelui dintr-o singură bucată de beton este de cel puțin 203 mm.
- Asigurați-vă că dimensiunea fiecărui bloc de beton este cel puțin 203 mm × 203 mm × 406 mm.

Verificarea pieselor



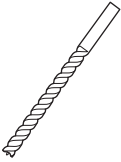
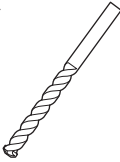
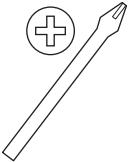
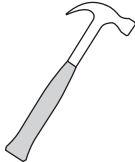
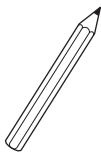

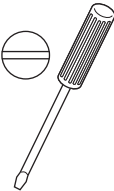




Furnizat cu SU-WL850

- Verificați dacă sunt incluse toate piesele.

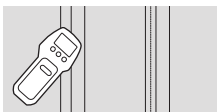
WM1 (x1) 	WM2 (x1) 	WM3 (x4)
M6 (x4) 	WT1 (x6) 	

Pregătirea pentru instalare

- Țineți la îndemână ghidul de referință și ghidul de configurare a televizorului înainte de a începe instalarea.
- Confirmați poziția de instalare a televizorului.
- Pregătiți patru șuruburi cu diametrul de 8 mm și patru șaibe corespunzătoare (neincluse).
Selectați șuruburi corespunzătoare pentru materialul peretelui.
- Pregătiți următoarele scule:

*1			 5,5 mm	 10 mm	
*2			 1,5 N·m {15 kgf·cm}	 1,5 N·m {15 kgf·cm}	
		*2  (x4)	*4  (x4) 8 mm × 60 mm	*4  (x4)	

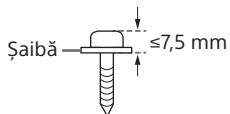
*1 Doar pentru pereți din gips-carton cu știfturi



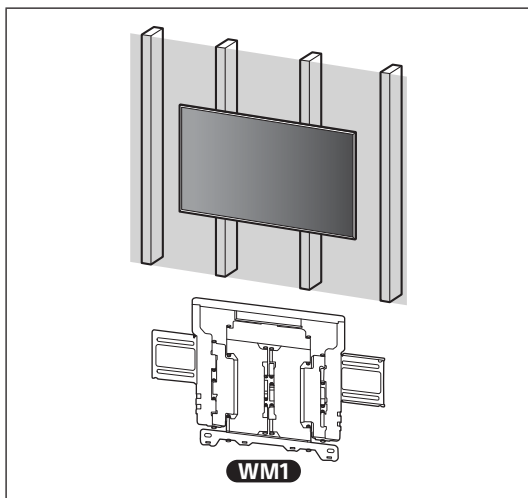
*2 Doar pentru pereți dintr-o singură bucată de beton sau din mai multe blocuri de beton

*3 În funcție de modele

*4 Aveți grijă atunci când alegeți șuruburile și șaibele



A Fixarea dispozitivului de montare pe perete pe gips-carton cu știfturi



Instalarea pe perete a dispozitivului de montare pe perete

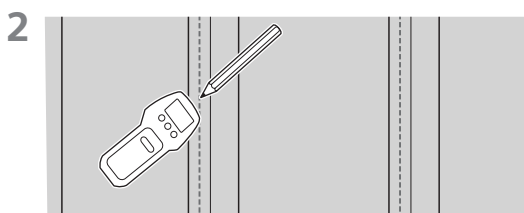
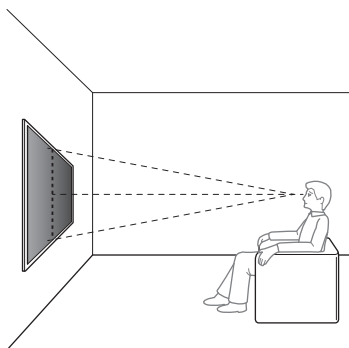
1 Stabiliți locația de instalare.

Asigurați-vă că peretele dispune de spațiu suficient pentru televizor și că poate susține o greutate de cel puțin șase ori mai mare decât cea a televizorului.

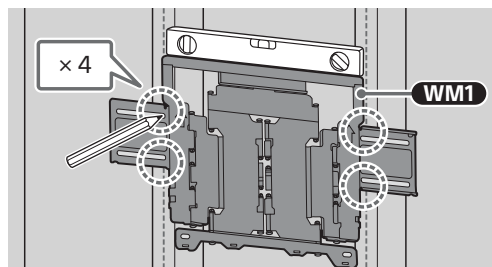
- Consultați „Măsurarea pentru instalarea pe perete a dispozitivului de montare pe perete” de la pagina 18.
- Consultați ghidul de referință al televizorului pentru a determina greutatea televizorului.

Notă

- Când televizorul este instalat pe perete, partea superioară a televizorului se înclină ușor înainte.
- Vă recomandăm să verificați poziția TV-ului în mediul de vizualizare.



3 Aliniați WM1 cu peretele și realizați patru marcaje aliniate cu știfturile.

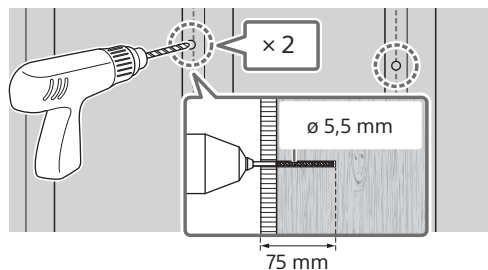


Notă

- Folosiți o nivelă pentru a verifica dacă WM1 este drept.

4 Dați găurile pilot în partea de sus, respectând marcajele.

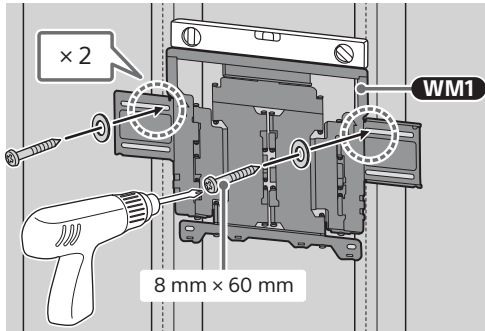
Asigurați-vă că locul de amplasare pe perete în care veți face găurile este suficient de rezistent pentru a susține o greutate de cel puțin șase ori mai mare decât cea a televizorului.



Notă

- Găurile pilot trebuie date la o adâncime de 75 mm, prin utilizarea unui bit de găurire cu diametrul de 5,5 mm.

- 5 Instalați **WM1** pe perete folosind șuruburi corespunzătoare (neincluse) și șaibe corespunzătoare (neincluse).



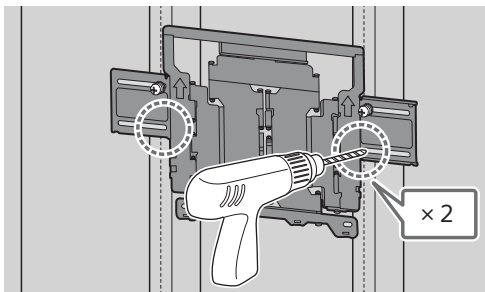
Notă

- Folosiți o nivelă pentru a verifica dacă **WM1** este drept.

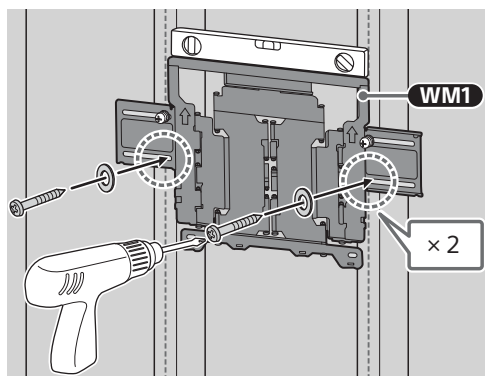
Măsură de precauție

- Nu strângeți prea puternic șurubul pentru lemn de 8 mm x 60 mm. Strângerea necorespunzătoare ar putea reduce puterea de prindere a șurubului pentru lemn de 8 mm x 60 mm.

- 6 Dați găurile pilot în partea de jos, respectând marcajele. (Consultați pasul 4 pentru instrucțiuni legate de găurire.)



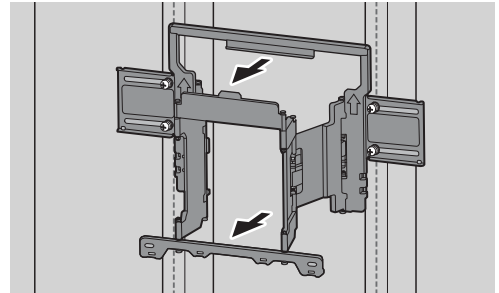
- 7 Potrivii șuruburile și șaibele corespunzătoare în găuri.



Notă

- Folosiți o nivelă pentru a verifica dacă **WM1** este drept.

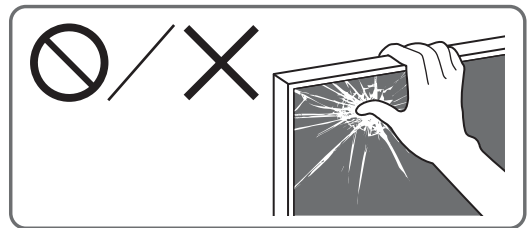
- 8 Trageți în afară brațul suportului, până la capăt.



Pregătirea instalării televizorului

Notă

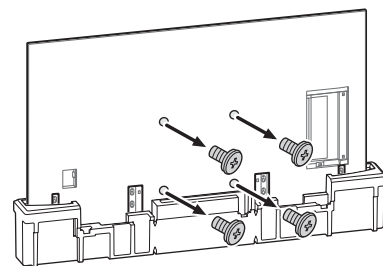
- Depozitați șuruburile demontate și componentele neutilizate într-un loc sigur, fără a le lăsa la îndemâna copiilor.



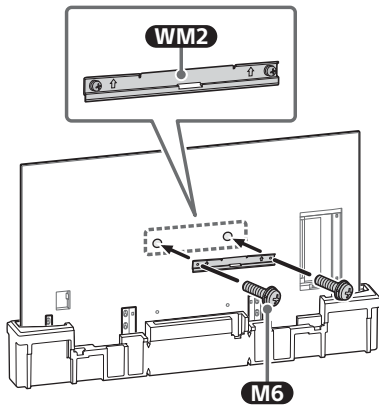
Montarea TV-ului pe perete din cutie*1

*1 Numai pentru anumite regiuni/țări/modele.

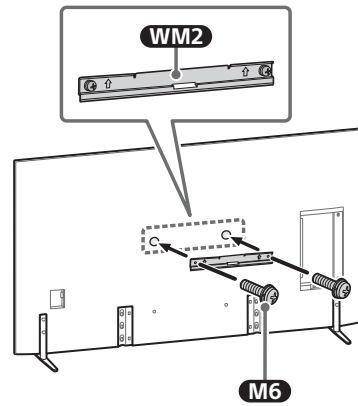
- 1 Demontați șuruburile din partea din spate a televizorului.



2 Atașați **WM2** la televizor folosind **M6**.

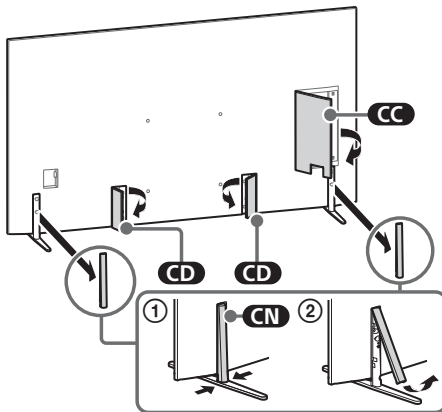


3 Atașați **WM2** la televizor folosind **M6**.

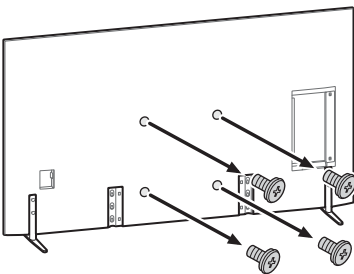


Montarea televizorului pe perete din suportul de masă

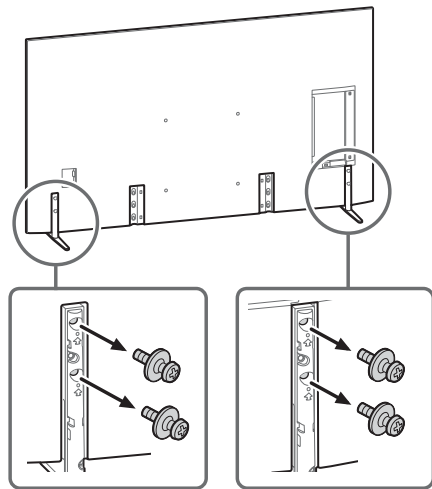
1 Scoateți capacele suportului și capacele mufelor.



2 Demontați șuruburile din partea din spate a televizorului.



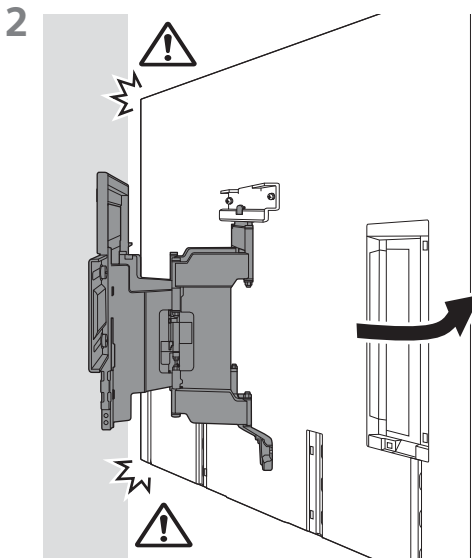
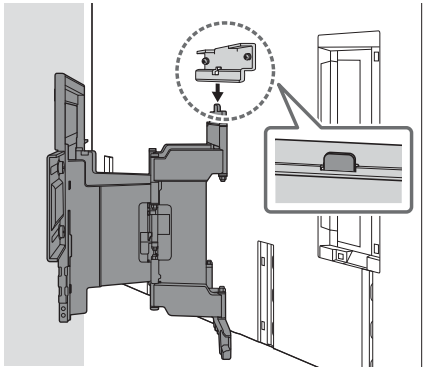
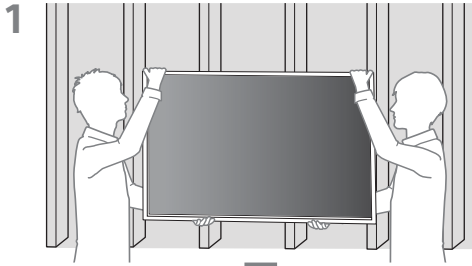
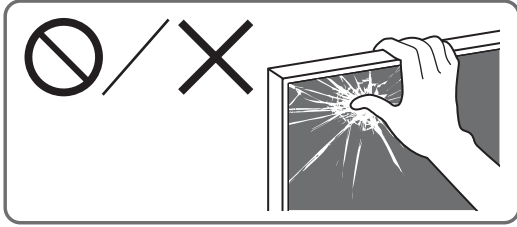
4 Demontați suportul de masă de la televizor.



Notă

- Ridicați cu grijă televizorul, pentru că suportul de masă este desprins și se poate răsturna, provocând vătămări corporale.
- Demontați cu grijă suportul de masă de la televizor, pentru a evita căderea acestuia și deteriorarea suprafeței pe care este așezat televizorul.

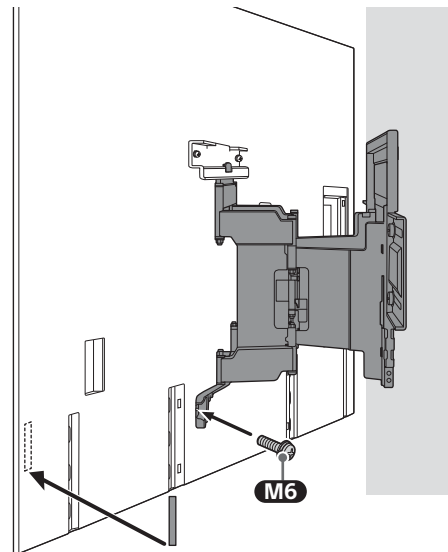
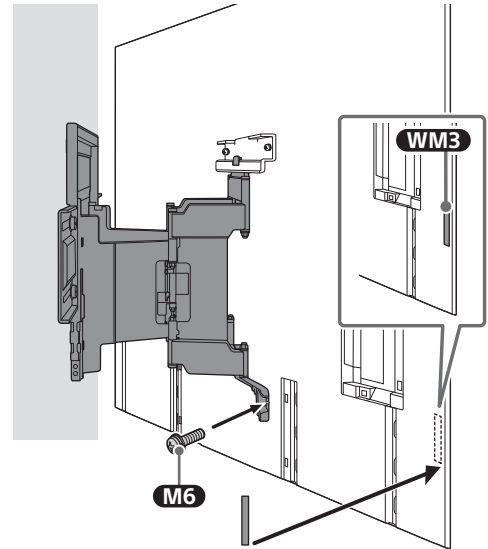
Instalarea televizorului pe perete

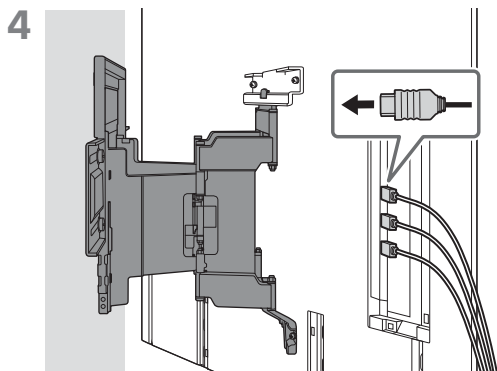


3 Înșurubați părțile din stânga și din dreapta ale acestui dispozitiv de montare pe perete folosind **M6** și atașați **WM3**.

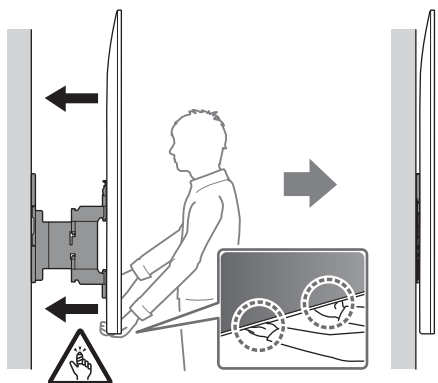
Notă

- Nu atașați **WM3** pe etichete.



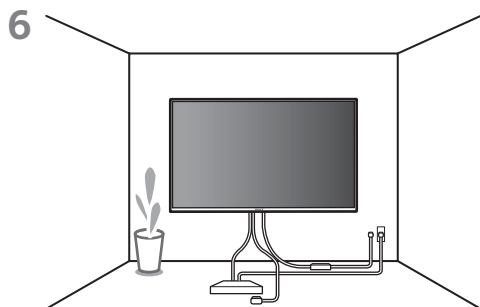


5 La deplasarea TV-ului, țineți-l bine din partea inferioară.



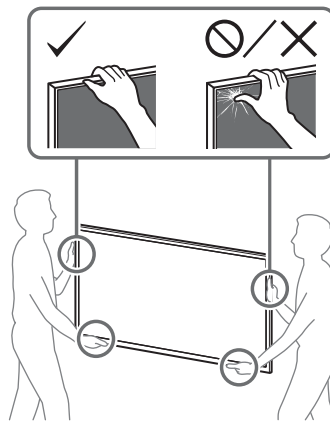
Notă

- Este posibil ca televizorul să nu se poată mișca în apropiere de perete, în funcție de tipul și numărul de cabluri atașate. Acest lucru nu reprezintă o defecțiune.



AVERTISMENT

- Pentru transportul unui televizor de mari dimensiuni, este nevoie de două sau mai multe persoane (trei sau mai multe persoane pentru televizoarele cu diagonala mai mare sau egală cu 189,3 cm (75 inci)) (cu excepția Egipt). Pentru transportul unui televizor de mari dimensiuni, este nevoie de două sau mai multe persoane (trei sau mai multe persoane pentru televizoarele cu diagonala mai mare sau egală cu 75 inci (189,3 cm)) (numai Egipt).



Confirmarea finalizării instalării

Verificați următoarele aspecte.

- Firul și cablul nu sunt răsucite sau ciupite/perforate.

AVERTISMENT

- Amplasarea incorectă a cablului de alimentare în curent alternativ, etc. poate cauza incendiu sau șocuri electrice prin intermediul unui scurtcircuit. Din motive de siguranță, verificați finalizarea instalării.

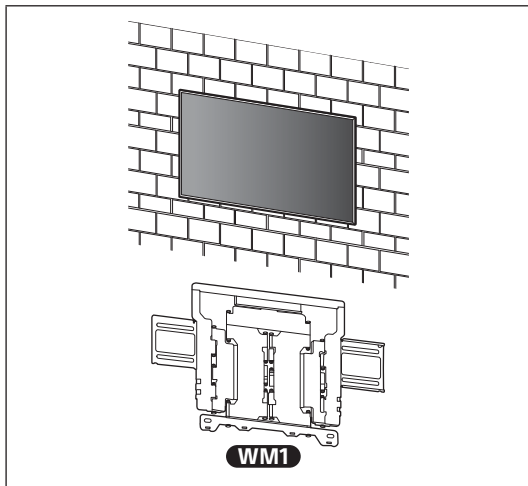
Alte informații

La demontarea televizorului, parcurgeți procedura de instalare în sens invers.

AVERTISMENT

- Pentru transportul unui televizor de mari dimensiuni, este nevoie de două sau mai multe persoane (trei sau mai multe persoane pentru televizoarele cu diagonala mai mare sau egală cu 189,3 cm (75 inci)) (cu excepția Egipt). Pentru transportul unui televizor de mari dimensiuni, este nevoie de două sau mai multe persoane (trei sau mai multe persoane pentru televizoarele cu diagonala mai mare sau egală cu 75 inci (189,3 cm)) (numai Egipt).

B Atașarea dispozitivului de montare pe perete la peretele dintr-o singură bucată de beton sau din mai multe plăci de beton



Instalarea pe perete a dispozitivului de montare pe perete

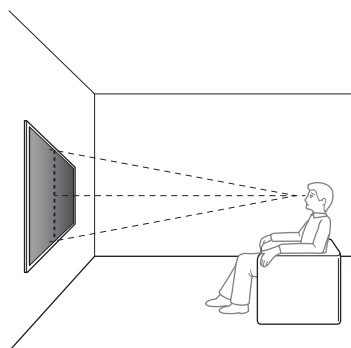
1 Stabiliți locația de instalare.

Asigurați-vă că peretele dispune de spațiu suficient pentru televizor și că poate susține o greutate de cel puțin șase ori mai mare decât cea a televizorului.

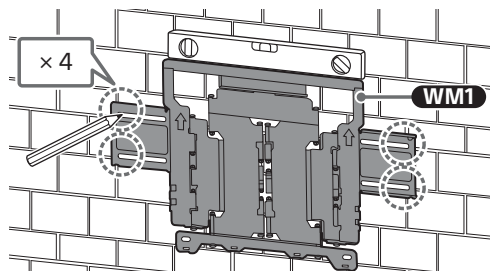
- Consultați „Măsurarea pentru instalarea pe perete a dispozitivului de montare pe perete” de la pagina 18.
- Consultați ghidul de referință al televizorului pentru a determina greutatea televizorului.

Notă

- Când televizorul este instalat pe perete, partea superioară a acestuia se înclină ușor înainte.
- Vă recomandăm să verificați poziția TV-ului în mediul de vizualizare.



2 Aliniați WM1 cu peretele și realizați patru marcaje.

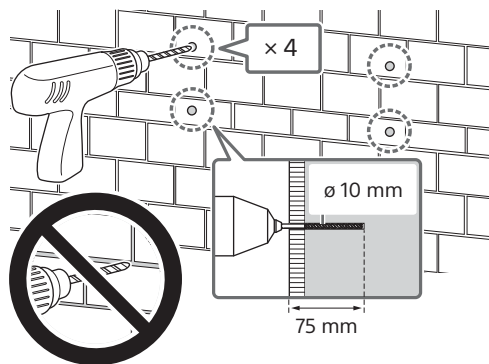


Notă

- Folosiți o nivelă pentru a verifica dacă WM1 este drept.

3 Dați găuri pilot pe semne.

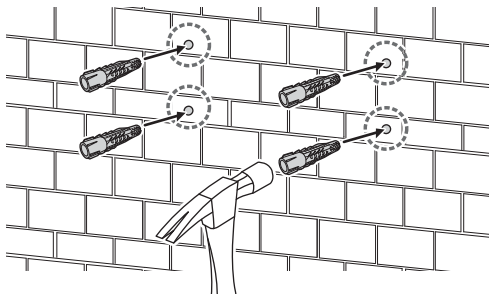
Asigurați-vă că locul de amplasare pe perete în care veți face găurile este suficient de rezistent pentru a susține o greutate de cel puțin șase ori mai mare decât cea a televizorului.



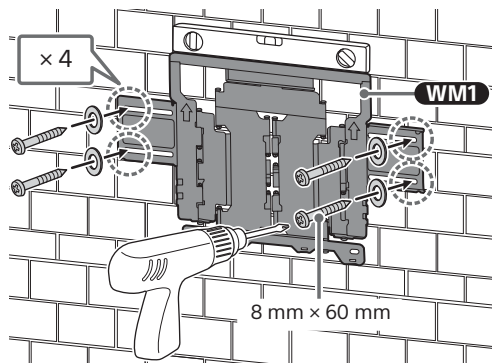
Notă

- Găurile pilot trebuie date la o adâncime de 75 mm, prin utilizarea unui bit de găurire cu diametrul de 10 mm.

4



- 5 Instalați **WM1** pe perete folosind șuruburi corespunzătoare (neincluse) și șaibe corespunzătoare (neincluse).



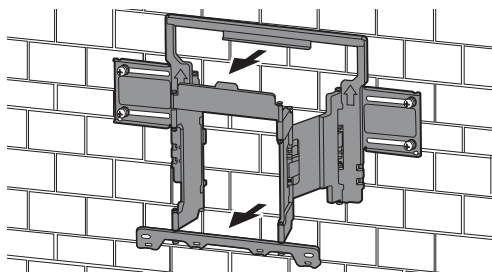
Notă

- Folosiți o nivelă pentru a verifica dacă **WM1** este drept.

Măsură de precauție

- Nu strângeți prea puternic șurubul pentru lemn de 8 mm x 60 mm. Strângerea necorespunzătoare ar putea reduce puterea de prindere a șurubului pentru lemn de 8 mm x 60 mm.

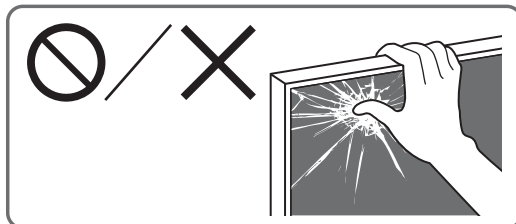
- 6 Trageți în afară brațul suportului, până la capăt.



Pregătirea instalării televizorului

Notă

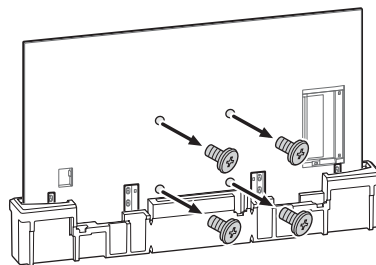
- Depozitați șuruburile demontate și componentele neutilizate într-un loc sigur, fără a le lăsa la îndemâna copiilor.



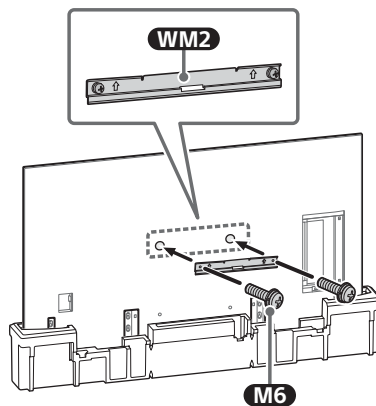
Montarea TV-ului pe perete din cutie*1

*1 Numai pentru anumite regiuni/țări/modele.

- 1 Demontați șuruburile din partea din spate a televizorului.

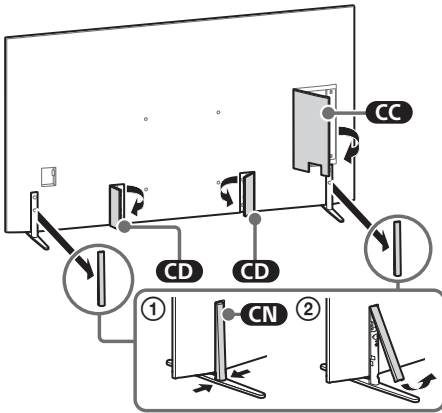


- 2 Atașați **WM2** la televizor folosind **M6**.

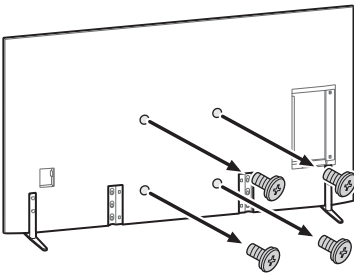


Montarea televizorului pe perete din suportul de masă

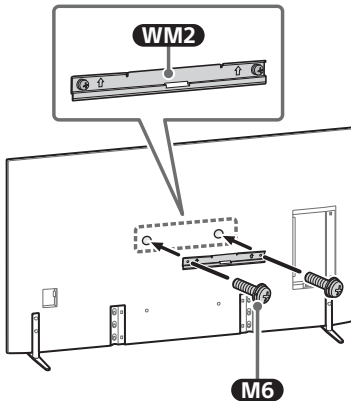
- 1 Scoateți capacele suportului și capacele mufelor.



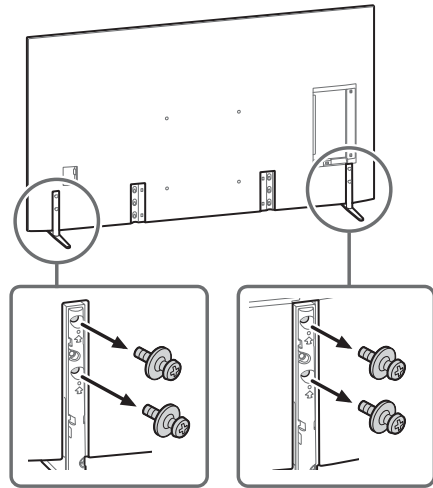
- 2 Demontați șuruburile din partea din spate a televizorului.



- 3 Atașați **WM2** la televizor folosind **M6**.



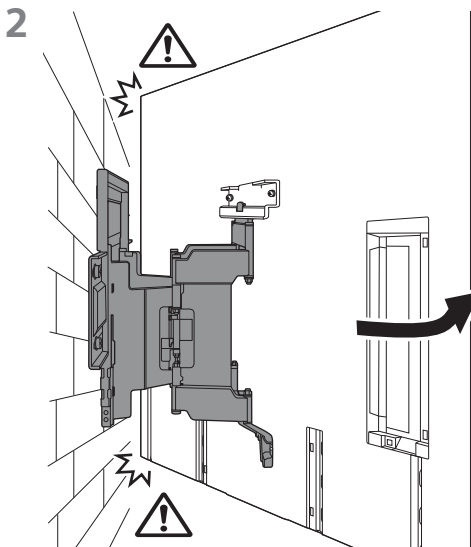
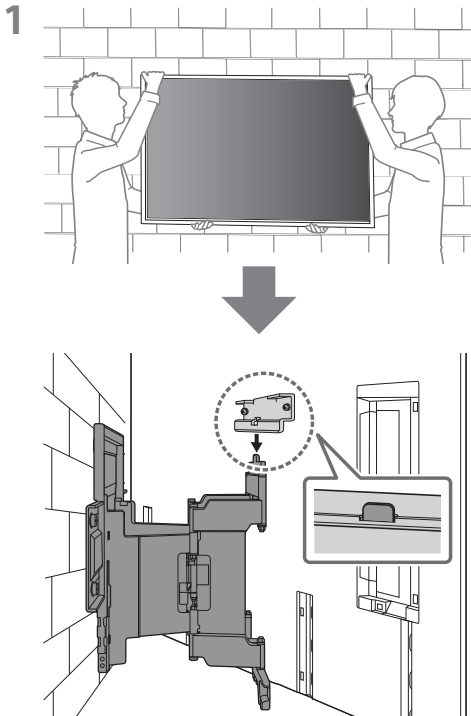
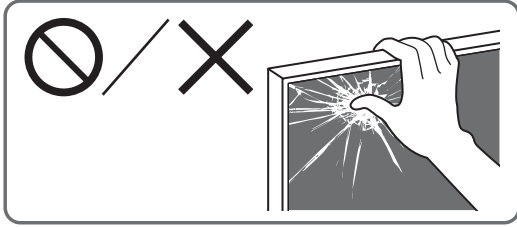
- 4 Demontați suportul de masă de la televizor.



Notă

- Ridicați cu grijă televizorul, pentru că suportul de masă este desprins și se poate răsturna, provocând vătămări corporale.
- Demontați cu grijă suportul de masă de la televizor, pentru a evita căderea acestuia și deteriorarea suprafeței pe care este așezat televizorul.

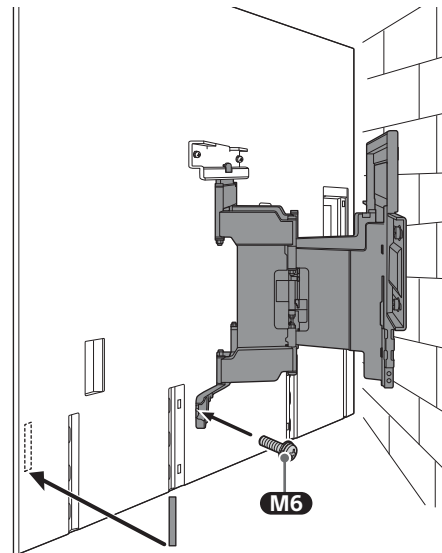
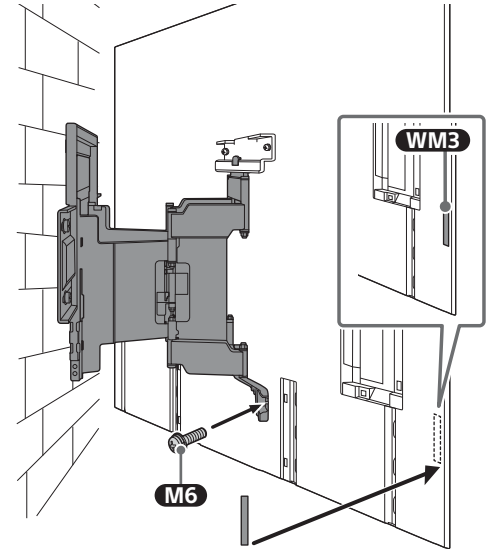
Instalarea televizorului pe perete

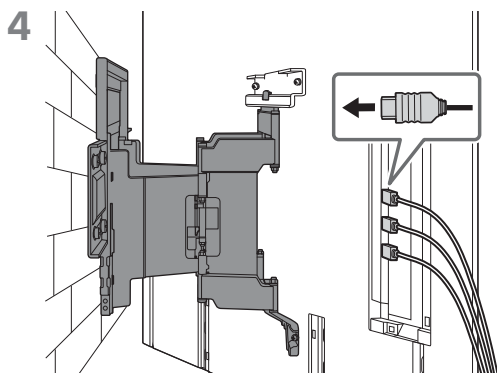


3 Înșurubați părțile din stânga și din dreapta ale acestui dispozitiv de montare pe perete folosind **M6** și atașați **WM3**.

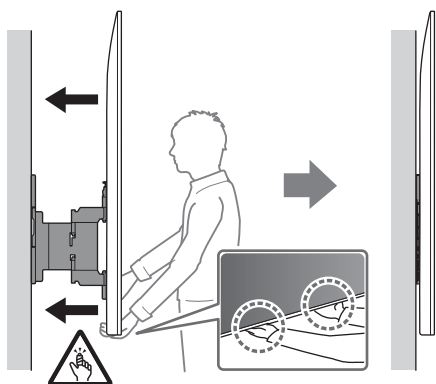
Notă

- Nu atașați **WM3** pe etichete.



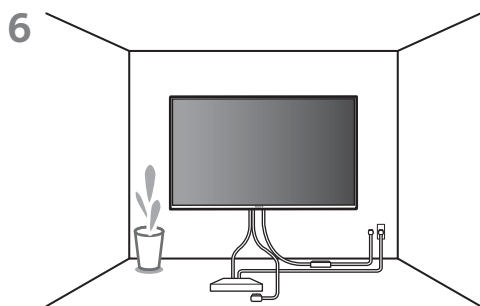


5 La deplasarea TV-ului, țineți-l bine din partea inferioară.



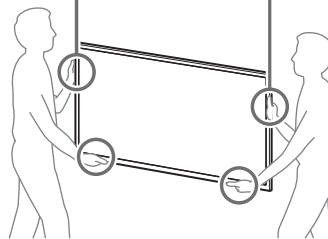
Notă

- Este posibil ca televizorul să nu se poată mișca în apropiere de perete, în funcție de tipul și numărul de cabluri atașate. Acest lucru nu reprezintă o defecțiune.



AVERTISMENT

- Pentru transportul unui televizor de mari dimensiuni, este nevoie de două sau mai multe persoane (trei sau mai multe persoane pentru televizoarele cu diagonala mai mare sau egală cu 189,3 cm (75 inci)) (cu excepția Egipt). Pentru transportul unui televizor de mari dimensiuni, este nevoie de două sau mai multe persoane (trei sau mai multe persoane pentru televizoarele cu diagonala mai mare sau egală cu 75 inci (189,3 cm)) (numai Egipt).



Confirmarea finalizării instalării

Verificați următoarele aspecte.

- Firul și cablul nu sunt răsucite sau ciupite/perforate.

AVERTISMENT

- Amplasarea incorectă a cablului de alimentare în curent alternativ, etc. poate cauza incendiu sau șocuri electrice prin intermediul unui scurtcircuit. Din motive de siguranță, verificați finalizarea instalării.

Alte informații

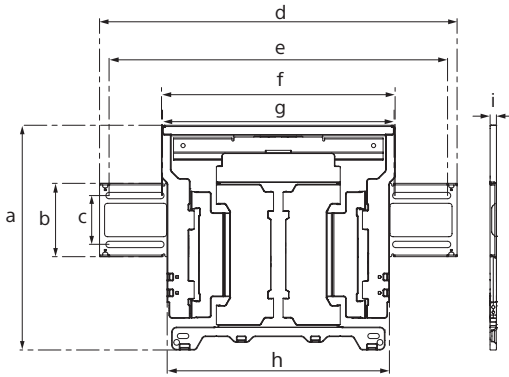
La demontarea televizorului, parcurgeți procedura de instalare în sens invers.

AVERTISMENT

- Pentru transportul unui televizor de mari dimensiuni, este nevoie de două sau mai multe persoane (trei sau mai multe persoane pentru televizoarele cu diagonala mai mare sau egală cu 189,3 cm (75 inci)) (cu excepția Egipt). Pentru transportul unui televizor de mari dimensiuni, este nevoie de două sau mai multe persoane (trei sau mai multe persoane pentru televizoarele cu diagonala mai mare sau egală cu 75 inci (189,3 cm)) (numai Egipt).

Specificații

WM1



Dimensiuni: (aprox.) [mm]

a : 354

b : 116

c : 77

d : 563

e : 533

f : 370

g : 368

h : 350

i : 11

Greutate (numai baza): (aprox.) [kg]

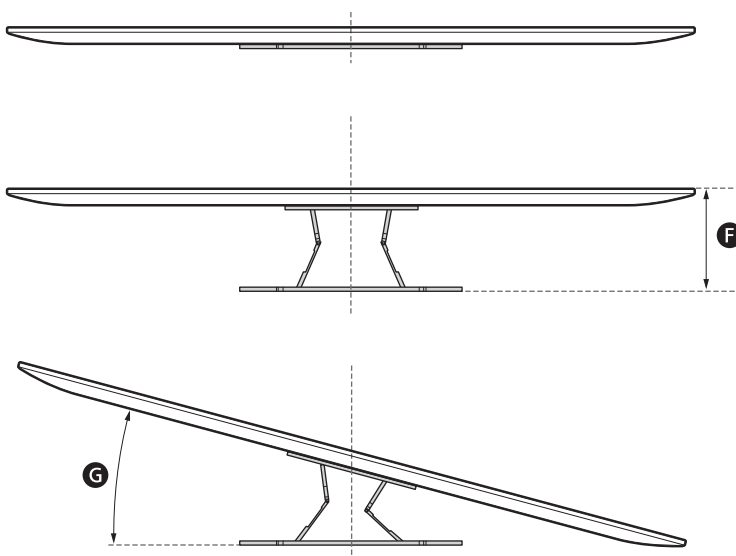
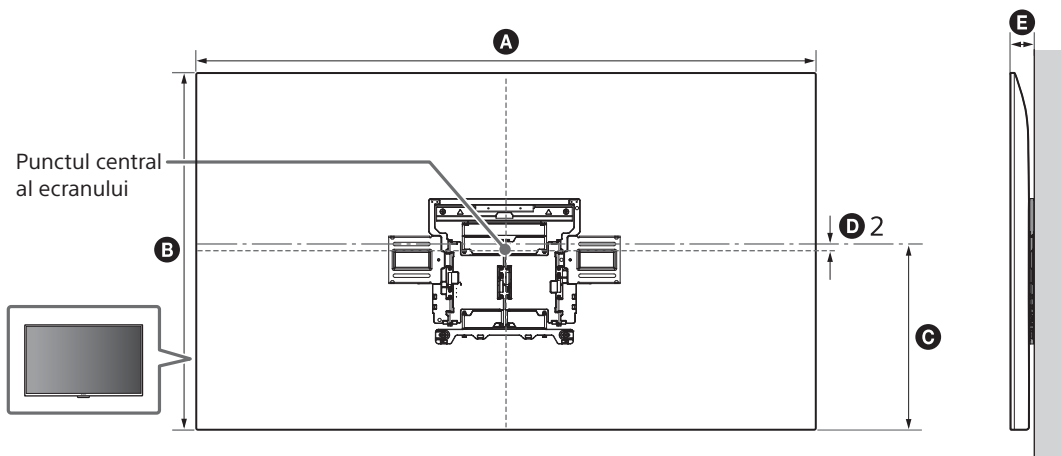
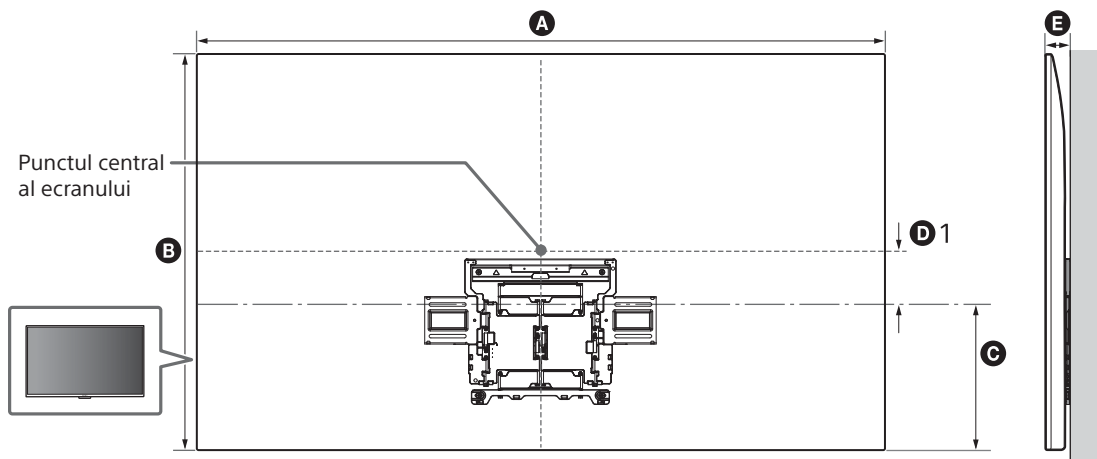
3,0

Structura și specificațiile se pot modifica fără preaviz.

Referințe

Măsurarea pentru instalarea pe perete a dispozitivului de montare pe perete

Este posibil ca valorile din tabel să fie ușor diferite, în funcție de instalare.



(mm)

Numele modelului	A	B	C	D 1	D 2	E	F ^{*1}	G ^{*1} (°)
K-77XR8x	1 713	984	362	139	-	48	251,4	12
K-65XR8x	1 442	829	362	57	-	48	250,8	17
K-55XR8x	1 223	706	362	-	3	48	250,8	19

*1 (Aprox.)

Информация за монтаж при използване на конзола за закрепване към стена на Sony (SU-WL850)

Поддържани модели*1:

*1 В действителните имена на моделите "x"/"xx" означава номера и/или характеристики, специфични за всеки модел.

K-77XR8x / 65XR8x / 55XR8x

До потребителите

От съображения за безопасност и за защита на продукта, Sony препоръчва монтажът на вашия телевизор да бъде извършен от доставчици или подизпълнители на Sony. Не се опитвайте да монтирате телевизора сами.

До доставчиците и подизпълнителите на Sony

Подходете с подчертано внимание към безопасността по време на монтажа, периодичната поддръжка и огледа на този продукт.

За монтажа на този продукт се изисква значителен опит, особено за определяне на здравината на стената, която трябва да издържи тежестта на телевизора. На всяка цена поверете на доставчици на Sony или лицензирани подизпълнители закрепването на този продукт към стената и по време на монтажа обърнете особено внимание на мерките за безопасност. Sony не носи отговорност за повреди или наранявания, причинени от неправилни манипулации или монтаж.

С оглед на безопасността и за правилен монтаж, следвайте ръководство за употреба на конзолата за закрепване към стена, ръководството за настройка на телевизора и указанията в това ръководство.

Конзола за закрепване към стена

Относно безопасността

Благодарим ви за покупката на този продукт.

До потребителите

Монтаж на телевизора на стена



ПРЕДУПРЕЖДЕНИЕ

НЕОБХОДИМ Е ПРОФЕСИОНАЛЕН МОНТАЖ

Този продукт трябва да се монтира само от професионалист, който е обучен да определя якостта на стената, за да издържи тежестта на телевизора. Ако не е добре закрепен при монтажа, телевизорът може да падне и да причини тежко нараняване. Sony не носи отговорност за повреди или нараняване, причинени от неправилно боравене или неправилен монтаж, или от монтирането на продукт, различен от посочения. Вашите законни права (ако има такива) не са засегнати.

Към търговците на Sony

За монтирането на продукта се изисква опит. Прочетете внимателно това ръководство за употреба, за да извършите безопасно монтажните дейности. Sony не носи отговорност за повреди или наранявания, причинени от неправилна употреба или монтаж. Предайте това ръководство на клиента след монтажа.

Това ръководство за употреба показва правилния начин за работа с продукта и важните предпазни мерки, които трябва да се предприемат, за да се избегнат злополуки. Вие имате задължението да прочетете, да осмислите напълно и да спазвате инструкциите в настоящото ръководство за употреба. Неспазването може да доведе до тежка телесна повреда или до материални щети и може да анулира гаранцията. Запазете ръководството за бъдещи справки.

Продуктите на Sony са проектирани с мисъл за безопасността. Ако използвате продукта неправилно, това може да доведе до сериозно нараняване вследствие на пожар, токов удар, падане или изпускане на продукта. Спазвайте мерките за безопасност за предотвратяване на такива инциденти.

ВНИМАНИЕ

Уточняване на продуктите

Тази конзола за закрепване към стена е проектирана за използване само с указаните телевизори. Вижте информацията за продукта на телевизорите, за да проверите дали тази конзола за закрепване към стена може да се използва с тях.

До потребителите

ПРЕДУПРЕЖДЕНИЕ

Ако не се спазват следните предпазни мерки, това може да доведе до сериозно нараняване или смърт в следствие на пожар, токов удар или падане на продукта.

Възложете монтажа на лицензирани изпълнители и дръжте децата настрана по време на монтажа.

Ако конзолата за закрепване към стена или телевизорът не са монтирани правилно, може да възникнат следните инциденти. Уверете се, че монтажът се извършва от лицензирани изпълнители.

- Телевизорът може да падне и да предизвика сериозно нараняване, като контузия или счупване.
- Ако стената, на която е монтирана конзолата за закрепване към стена, е нестабилна, неравна или не е перпендикулярна на пода, конструкцията може да падне и да причини нараняване или повреда на имущество. Стената трябва да може да издържа тежест, равна на най-малко шест пъти тежестта на телевизора. (Вижте в Информация за продукта на телевизора какво е теглото му.)
- Ако монтажът на конзолата за закрепване към стена не е достатъчно здрав, конструкцията може да падне и да причини нараняване или повреда на имущество.

Уверете се, че сте възложили преместването или демонтажа на телевизора на лицензирани подизпълнители.

Ако други лица, освен лицензирани подизпълнители транспортират или демонтират телевизора, той може да падне и да причини нараняване или повреда на имущество. Необходими са две или повече лица (три или повече лица за телевизори от или над 189,3 см (75 инча)) за транспортиране на голям телевизор (с изключение на Египет). Необходими са две или повече лица (три или повече лица за телевизори от или над 75 инча (189,3 см)) за транспортиране на голям телевизор (само за Египет).

Не сваляйте винтовете и други след монтажа на телевизора.

Ако го направите, телевизорът може да падне и да причини нараняване или повреда на имущество.

Не променяйте частите на конзолата за закрепване към стена.

Ако го направите, конзолата за закрепване към стена може да падне и да причини нараняване или повреда на имущество.

Не монтирайте друго оборудване, освен указания продукт.

Тази конзола за закрепване към стена е проектирана за използване само с указания продукт. Ако монтирате оборудване, различно от указаното, то може да падне или да се счупи и да причини нараняване или повреда на имущество.

Не подлагайте конзолата за закрепване към стена на никакъв друг товар, освен на този на телевизора.

Не клатете телевизора наляво/надясно, нагоре/надолу.

Ако го направите, телевизорът може да падне и да причини нараняване или повреда на имущество.

Не се облягайте и не се висете на телевизора.

Не се облягайте и не увисвайте от телевизора, защото може да падне и да причини сериозно нараняване.

BG

ВНИМАНИЕ

Ако следните предпазни мерки не се спазват, може да възникне нараняване или повреда на имуществото.

- Внимавайте да не защитете пръстите си, докато манипулирате с конзолата за закрепване към стена или въртите телевизора.
- Бъдете внимателни при завъртането на телевизора и следете да не ударите намиращи се наблизо хора.
- Непременно съхранявайте неизползваните части на безопасно място за бъдеща употреба. Дръжте частите далеч от деца.

Не се отнасяйте грубо с продукта по време на почистване или поддръжка.

Не прилагайте прекалена сила върху горната част на телевизора. Ако го направите, телевизорът може да падне и да причини нараняване или повреда на имуществото.

Не поставяйте този продукт в близост до медицински устройства.

Този продукт (вкл. аксесоарите) съдържа магнити, които могат да попречат на работата на пейсмейкъри, програмируеми байпас клапи за хидроцефалия и други медицински устройства. Не поставяйте този продукт в близост до лице с такива устройства. Консултирайте се с лекар, преди да използвате този продукт, ако използвате такива медицински устройства.

Дръжте продукта на място, където не може да бъде достигнат от деца или лица под надзор.

Този продукт (вкл. аксесоарите) съдържа магнити. Поглъщането на магнити може да причини сериозни вреди, например задавяне и задушаване, или нараняване на червата. Ако са погълнати магнити (или магнит), веднага се консултирайте с лекар.

Предпазни мерки

- Ако дълго време използвате телевизор, монтиран на конзола за закрепване към стена, стената зад или над него може да се обезцвети или тапетът да се разлепи, в зависимост от материала на стената.
- Ако конзолата за закрепване към стена бъде свалена от стената след монтажа, ще останат отвори от винтовете.
- Не използвайте конзолата за закрепване към стена на място, където може да бъде подложена на механични вибрации.

Монтаж на конзола за закрепване към стена

Към търговците на Sony

ПРЕДУПРЕЖДЕНИЕ

Следните инструкции са само за търговци на Sony. Прочетете мерките за безопасност, описани по-горе и обърнете специално внимание на безопасността по време на монтажа, поддръжката и инспекцията на продукта.

Не монтирайте конзолата за закрепване към стена на стенни повърхности, където ъглите или страните на телевизора се подават настрани от повърхността на стената.

Не монтирайте конзолата за закрепване към стена на стенни повърхности, например колони, където ъглите или страните на телевизора се подават настрани от повърхността на стената. Ако лице или предмет удари издадения ъгъл или страна на телевизора, това може да причини нараняване или повреда на имуществото.

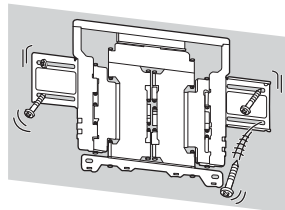


Не монтирайте телевизора над или под климатик.

Ако телевизорът е изложен продължително на течове или въздушно течение от климатик, това може да предизвика пожар, електрически удар или неизправност на телевизора.

Монтирайте здраво конзолата за закрепване към стена към стената като следвате инструкциите в това ръководство за употреба.

Ако някой от винтовете се разхлаби или падне, конзолата за закрепване към стена може да падне и да причини нараняване или повреда на имуществото. Уверете се, че използвате подходящи за материала на стената винтове и монтирайте уреда здраво с помощта на четири винтове с диаметър 8 мм (или еквивалентни).



Използвайте правилно доставените винтове и окачващи части като следвате инструкциите в това ръководство за употреба. Ако използвате заместващи елементи, телевизорът може да падне и да причини телесна повреда или да се повреди.

Уверете се, че сглобявате конзолата правилно като следвате процедурата, описана в това ръководство за употреба.

Ако някой от винтовете се разхлаби или падне, телевизорът може да падне и да причини телесна повреда или да се повреди.

Затегнете здраво винтовете в указаното положение.

Ако не го направите, телевизорът може да падне и да причини телесна повреда или да се повреди.

Внимавайте да не ударите телевизора по време на монтажа.

Ако телевизорът бъде подложен на удар, той може да падне или да се счупи. Това може да доведе до нараняване.

Монтирайте телевизора на стена, която е перпендикулярна и равна.

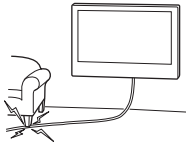
Ако не направите това, телевизорът може да падне и да причини нараняване.

След правилния монтаж на телевизора, обезопасете правилно кабелите.

Ако хора или предмети се заплетат в кабелите, това може да причини нараняване или повреда на телевизора.

Не допускате притискане на захранващия кабел или на свързващия кабел.

Ако захранващият кабел или свързващият кабел бъдат притиснати между конструкцията и стената или ако бъдат огнати или усукани със сила, вътрешните проводници може да се оголят и да причинят късо съединение или да прекъснат. Това може да причини пожар или токов удар.



Винтовете, необходими за закрепване към стената на конзолата за закрепване към стена, не са включени в комплекта.

Използвайте подходящи винтове според материала на стената и конструкцията, когато монтирате конзолата за закрепване към стена.

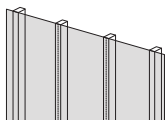
Преди да започнете

- Илюстрациите на телевизор, показани в това ръководство, са примерни и се използват, за да обяснят по-ясно операциите. Поради тази причина, илюстрациите може да се различават от вашия телевизор.

От какво е направена стената ви?

Първо проверете каква е стената, на която ще се монтира телевизора.

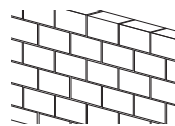
Суха стена (напр. гипсокартон) с дървени летви



Предпазни мерки

- Максимална дебелина на сухата стена: 16 мм.
- Уверете се, че размерите на вътрешните дървени летви са най-малко 51 мм × 102 мм за обикновени или 38 мм × 89 мм за тънки летви.
- Оставете минимум 406 мм хоризонтално разстояние между крепежните елементи.

Плътен бетон или бетонни блокчета



Предпазни мерки

- Монтирайте конзолата за закрепване към стена направо върху стената от плътен бетон.
- Уверете се, че дебелината на стената от плътен бетон е най-малко 203 мм.
- Уверете се, че размерите на всяко бетонно блокче са най-малко 203 мм × 203 мм × 406 мм.

Проверка на частите



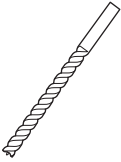
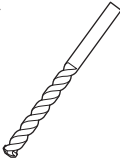
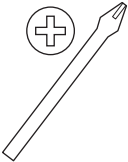
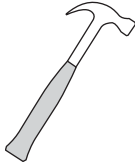
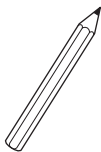

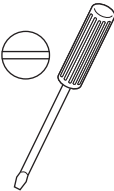




Доставено с SU-WL850

- Проверете дали всички части са налични.

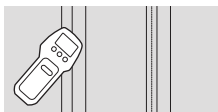
WM1 (x1) 	WM2 (x1) 	WM3 (x4)
M6 (x4) 	WT1 (x6) 	

Подготовка за монтаж

- Информацията за продукта и ръководството за настройка на телевизора трябва да са под ръка преди започване на монтажа.
- Проверете положението за монтаж на телевизора.
- Пригответе четири винта с диаметър 8 мм и четири обикновени шайби (не се доставят). Изберете винтове, подходящи за материала на стената.
- Подгответе следните инструменти:

*1 		 5,5 мм	 10 мм	
*2 		 1,5 N·m {15 kgf·cm}	*3  1,5 N·m {15 kgf·cm}	
	*2  (x4)	*4  (x4) 8 мм × 60 мм	*4  (x4)	

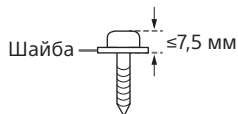
*1 Само за суха стена с дървени летви



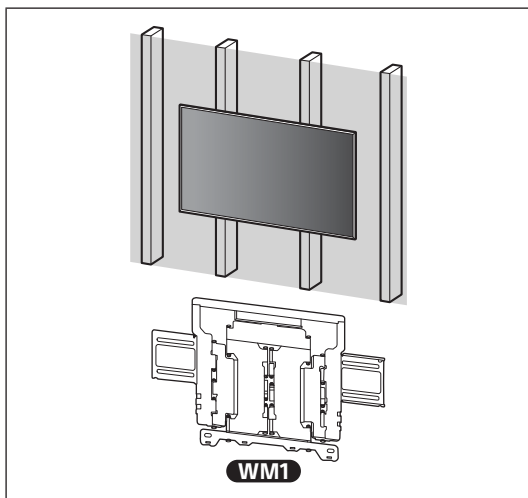
*2 Само за плътен бетон или бетонни блокчета

*3 В зависимост от модела

*4 Внимавайте, когато подбирате винтовете и шайбите



A Закрепване на конзолата за закрепване към стена към суха стена с дървени летви



Монтиране на конзолата за закрепване към стена на стената

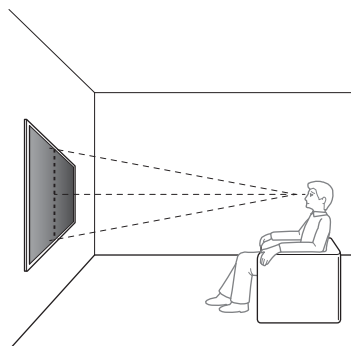
1 Изберете мястото на монтаж.

Уверете се, че на стената има достатъчно място за телевизора и че тя е способна да издържи тежест, поне шесткратно превишаваща тази на телевизора.

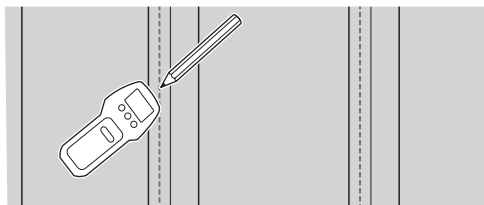
- Вижте "Оразмеряване при монтажа на конзола за закрепване към стена" на страница 19.
- Вижте информацията за продукта на телевизора относно теглото му.

Забележка

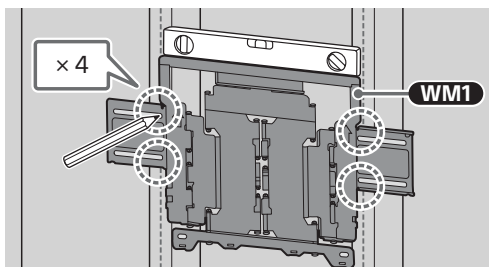
- Когато вашият телевизор е монтиран на стената, горната му част леко се накланя напред.
- Препоръчваме да проверите позицията на телевизора в средата, в която ще се гледа.



2



3 Поставете **WM1** на стената и направете четири белега наравно с летвите.

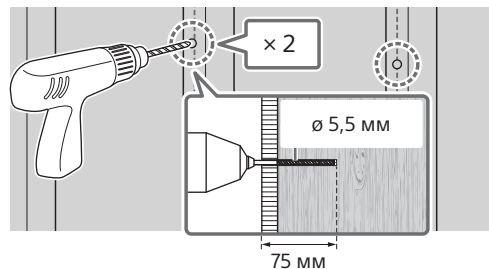


Забележка

- С помощта на нивелир проверете дали **WM1** е хоризонтално.

4 Пробийте горните контролни дупки върху бележите.

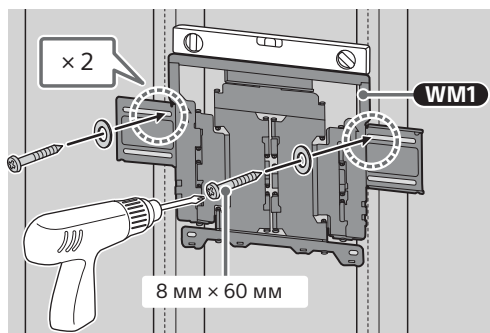
Уверете се, че мястото на стената, където ще пробивате дупките, е достатъчно здраво, за да издържи тегло поне шест пъти по-голямо от това на телевизора.



Забележка

- Контролните дупки трябва да се пробият на дълбочина 75 мм с помощта на свредло с диаметър 5,5 мм.

- 5** Монтирайте **WM1** на стената с помощта на подходящи винтове (не се доставят) и шайби (не се доставят).



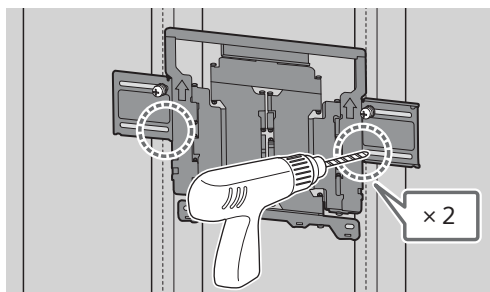
Забележка

- С помощта на нивелир проверете дали **WM1** е хоризонтално.

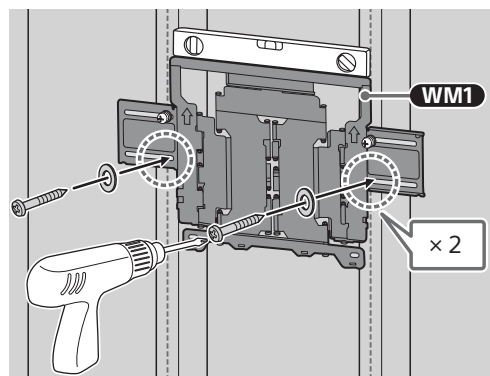
Внимание

- Не претягайте винта за дърво 8 мм x 60 мм. Неправилното затягане може да намали издръжливостта на винта за дърво 8 мм x 60 мм.

- 6** Пробийте долните контролни дупки върху бележите. (Указания за пробиване - вижте точка 4.)



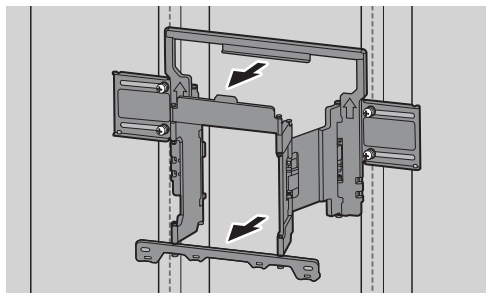
- 7** Наместете подходящите винтове и шайбите в дупките.



Забележка

- С помощта на нивелир проверете дали **WM1** е хоризонтално.

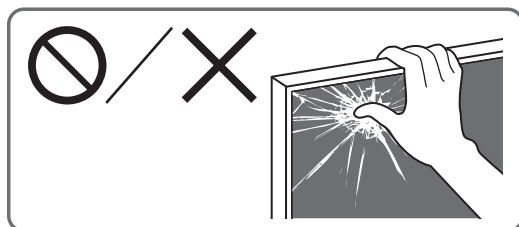
- 8** Издърпайте рамото на конзолата докрай.



Подготовка за монтаж на телевизора

Забележка

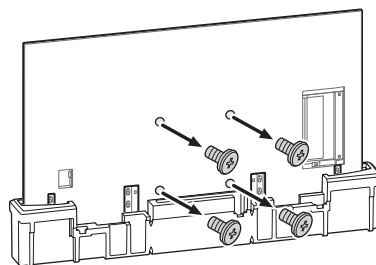
- Запазете свалените винтове и неизползваните части на сигурно място, далече от деца.



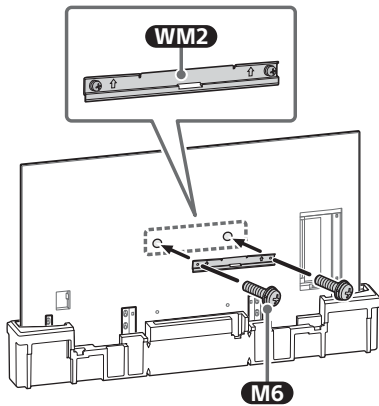
Монтаж на телевизор на стена от кутия*1

*1 Само за определени региони/страни/ модели.

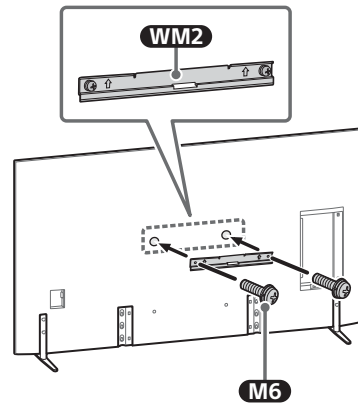
- 1** Свалете винтовете от задната страна на телевизора.



- 2 Закрепете **WM2** към телевизора с помощта на **M6**.

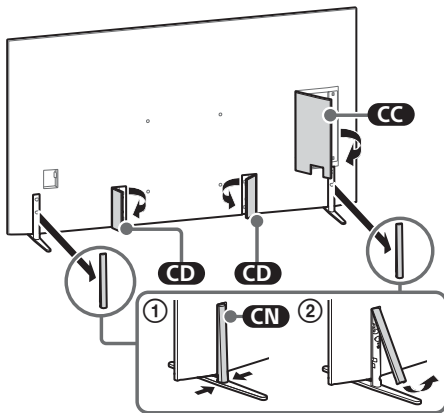


- 3 Закрепете **WM2** към телевизора с помощта на **M6**.

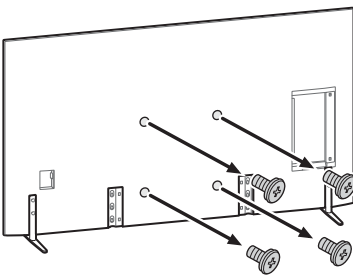


Монтаж на телевизора на стена от стойка за маса

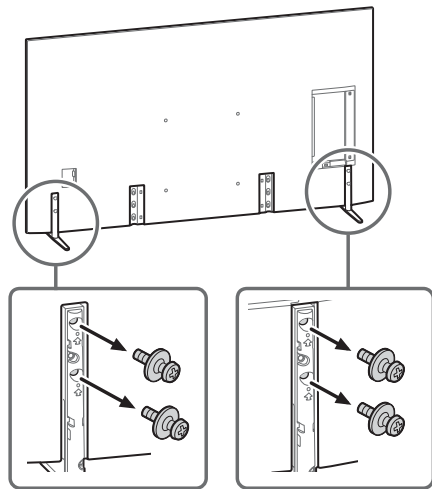
- 1 Отстранете капците на стойката и капците на терминалите.



- 2 Свалете винтовете от задната страна на телевизора.



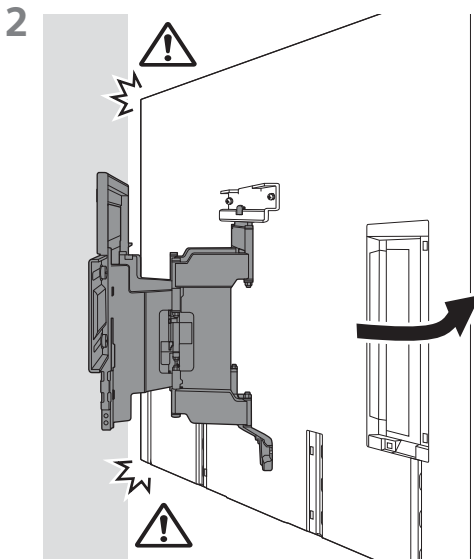
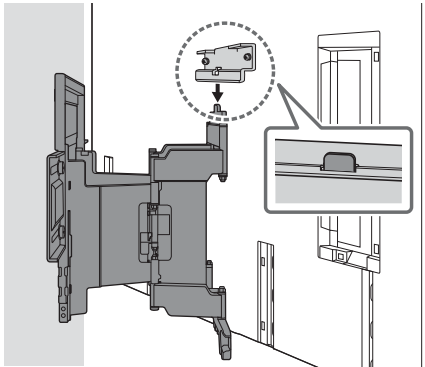
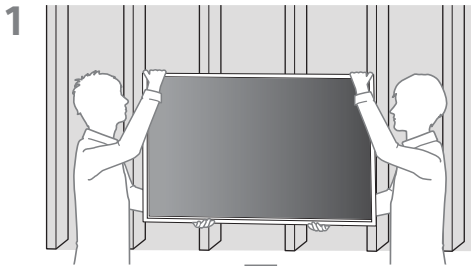
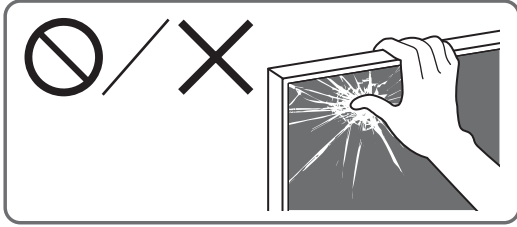
- 4 Свалете поставката за маса от телевизора.



Забележка

- Внимавайте, когато повдигате телевизора, тъй като стойката за маса не е закачена и може да се преобърне и да причини нараняване.
- Внимавайте, когато премахвате стойката за маса от телевизора, за да предотвратите падането ѝ и нараняването на повърхността, върху която стои телевизора.

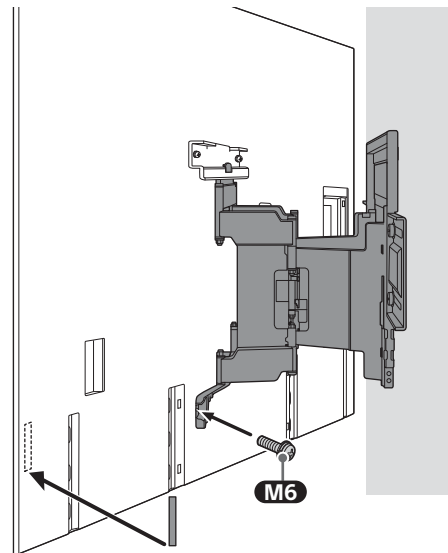
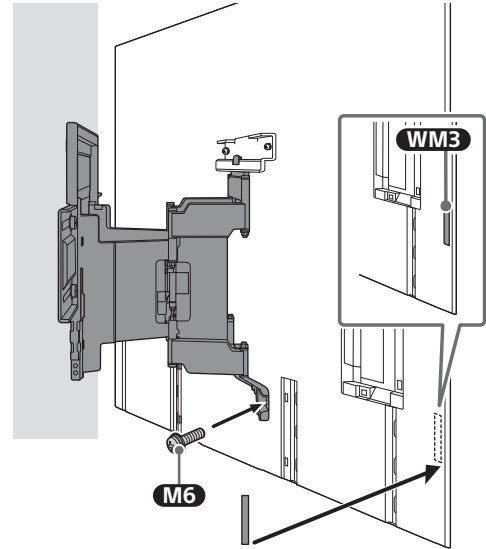
Монтаж на телевизора на стената



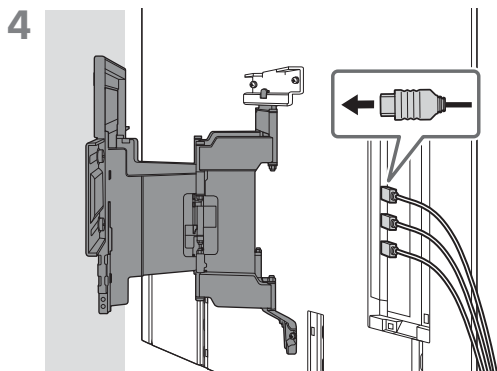
3 Завийте лявата и дясната страна на конзолата за закрепване към стена с помощта на **M6** и закрепете **WM3**.

Забележка

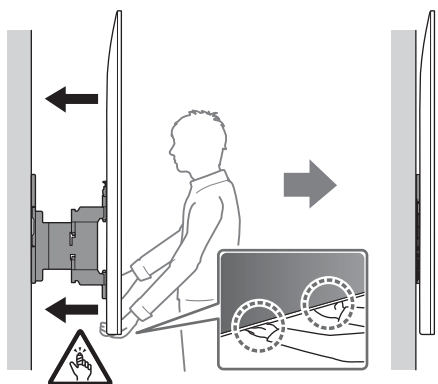
- Не залепвайте **WM3** върху етикетите.



BG

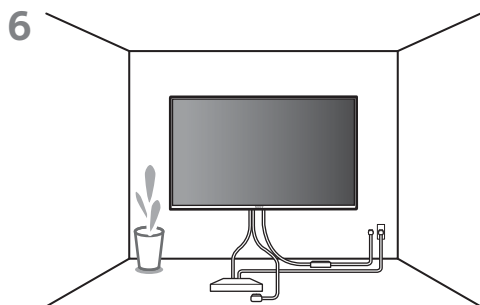


5 Когато местите телевизора, дръжте го здраво от долната страна.



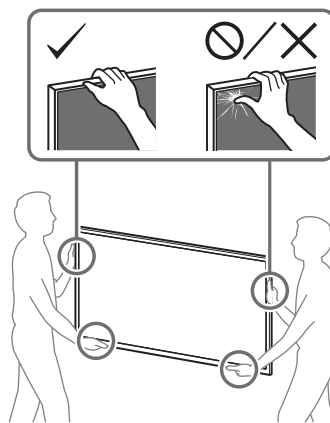
Забележка

- Телевизорът може да не се прибира плътно до стената в зависимост от типа и броя на свързаните кабели. Това не е неизправност.



ПРЕДУПРЕЖДЕНИЕ

- Необходими са две или повече лица (три или повече лица за телевизори от или над 189,3 см (75 инча)) за транспортиране на голям телевизор (с изключение на Египет).
Необходими са две или повече лица (три или повече лица за телевизори от или над 75 инча (189,3 см)) за транспортиране на голям телевизор (само за Египет).



Потвърдете приключването на монтажа

Проверете следните точки.

- Кабелите не са усукани или притиснати.

ПРЕДУПРЕЖДЕНИЕ

- Неправилното поставяне на захранващия кабел и т.н. може да причини пожар или електрически удар поради късо съединение. С оглед на безопасността проверете дали монтажът е завършен.

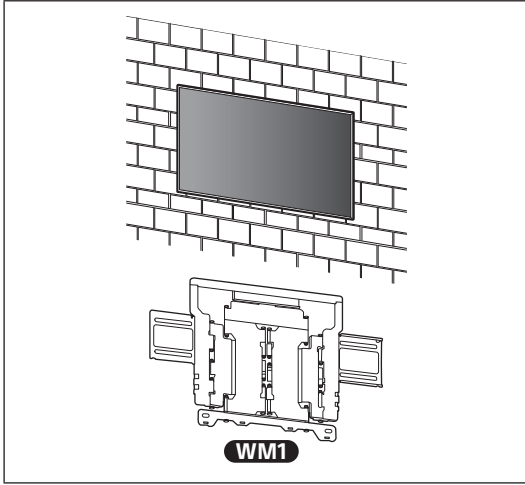
Друга информация

Когато сваляте телевизора, изпълнете процедурата на монтажа в обратен ред.

ПРЕДУПРЕЖДЕНИЕ

- Необходими са две или повече лица (три или повече лица за телевизори от или над 189,3 см (75 инча)) за транспортиране на голям телевизор (с изключение на Египет).
Необходими са две или повече лица (три или повече лица за телевизори от или над 75 инча (189,3 см)) за транспортиране на голям телевизор (само за Египет).

В Закрепване на конзолата за закрепване към стена към плътен бетон или бетонни блокчета



Монтиране на конзолата за закрепване към стена на стената

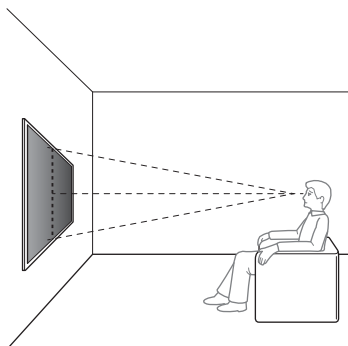
1 Изберете мястото на монтаж.

Уверете се, че на стената има достатъчно място за телевизора и че тя е способна да издържи тежест, поне шесткратно превишаваща тази на телевизора.

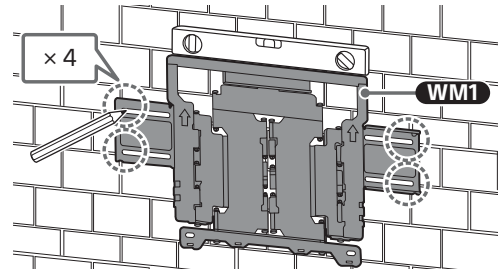
- Вижте “Оразмеряване при монтажа на конзола за закрепване към стена” на страница 19.
- Вижте информацията за продукта на телевизора относно теглото му.

Забележка

- Когато вашият телевизор е монтиран на стената, горната му част леко се накланя напред.
- Препоръчваме да проверите позицията на телевизора в средата, в която ще се гледа.



2 Поставете **WM1** на стената и направете четири белега.

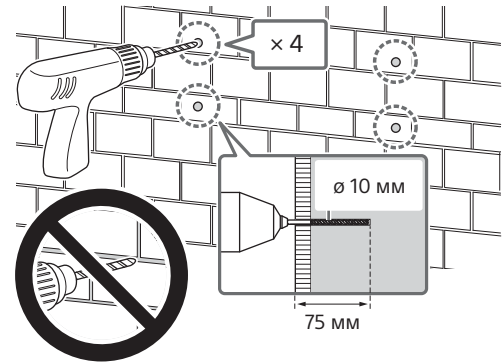


Забележка

- С помощта на нивелир проверете дали **WM1** е хоризонтално.

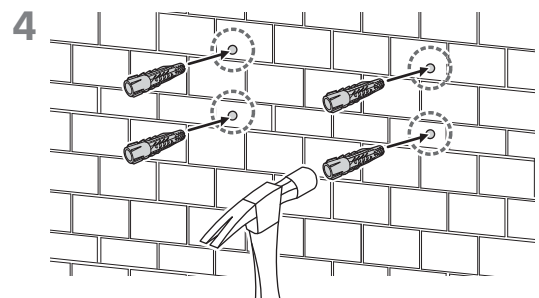
3 Пробийте направляващи дупки на отбелязаните места.

Уверете се, че мястото на стената, където ще пробивате дупките, е достатъчно здраво, за да издържи тегло поне шест пъти по-голямо от това на телевизора.

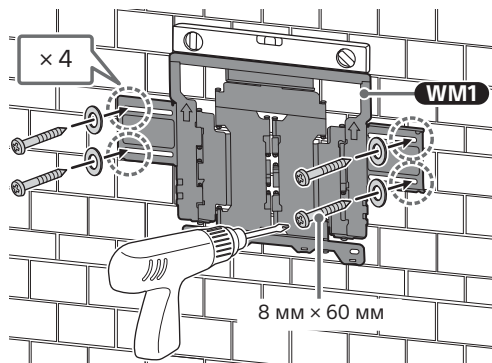


Забележка

- Контролните дупки трябва да се пробият на дълбочина 75 мм с помощта на свредло с диаметър 10 мм.



- 5** Монтирайте **WM1** на стената с помощта на подходящи винтове (не се доставят) и шайби (не се доставят).



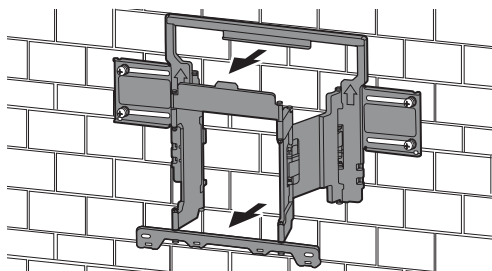
Забележка

- С помощта на нивелир проверете дали **WM1** е хоризонтално.

Внимание

- Не презатягайте винта за дърво 8 mm x 60 mm. Неправилното затягане може да намали издръжливостта на винта за дърво 8 mm x 60 mm.

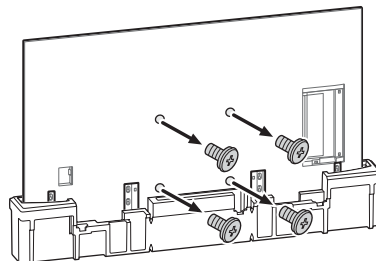
- 6** Издърпайте рамото на конзолата докрай.



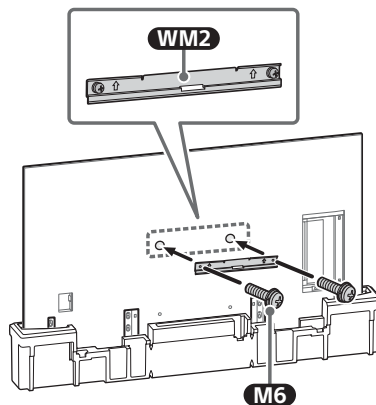
Монтаж на телевизор на стена от кутия*1

*1 Само за определени региони/страни/ модели.

- 1** Свалете винтовете от задната страна на телевизора.



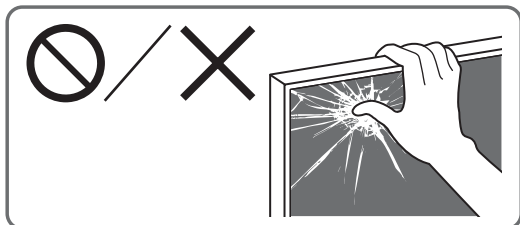
- 2** Закрепете **WM2** към телевизора с помощта на **M6**.



Подготовка за монтаж на телевизора

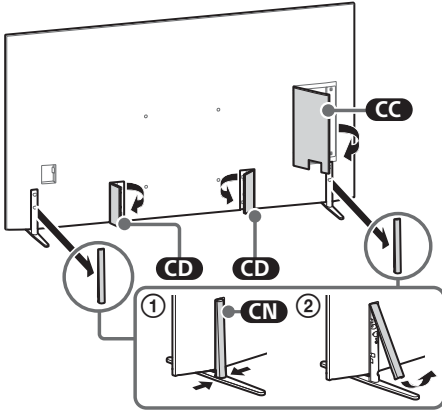
Забележка

- Запазете свалените винтове и неизползваните части на сигурно място, далече от деца.

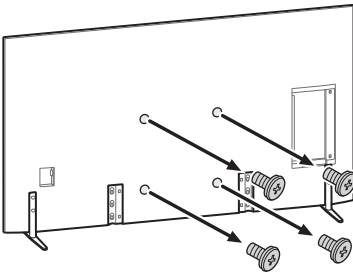


Монтаж на телевизора на стена от стойка за маса

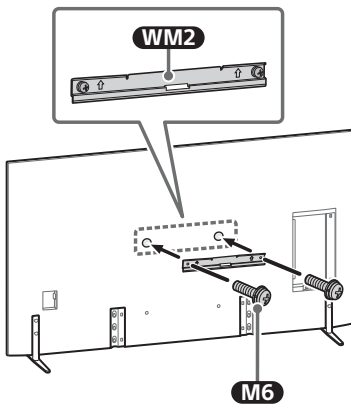
- 1 Отстранете капците на стойката и капците на терминалите.



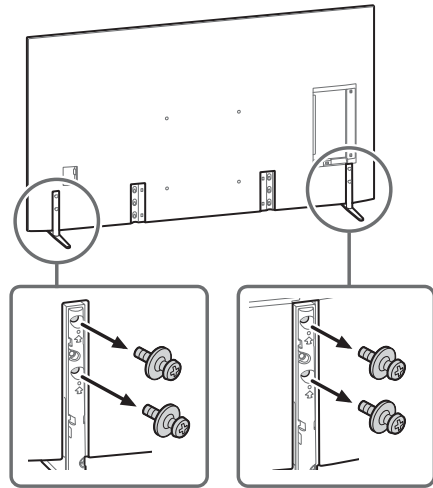
- 2 Свалете винтовете от задната страна на телевизора.



- 3 Закрепете **WM2** към телевизора с помощта на **M6**.



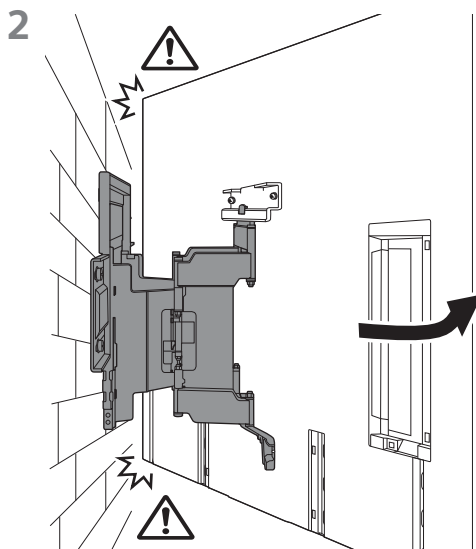
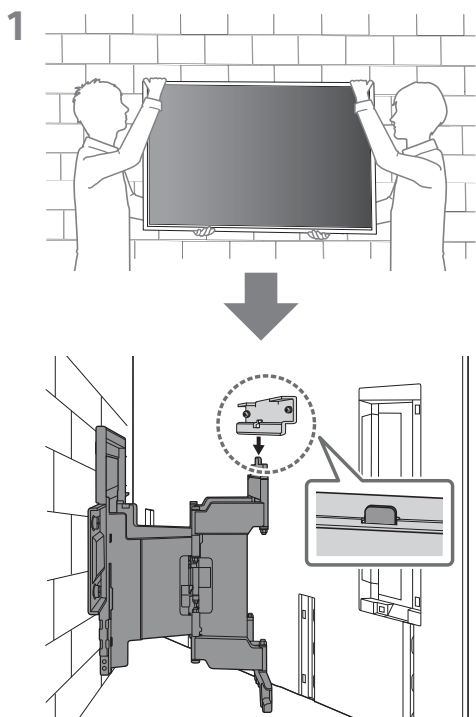
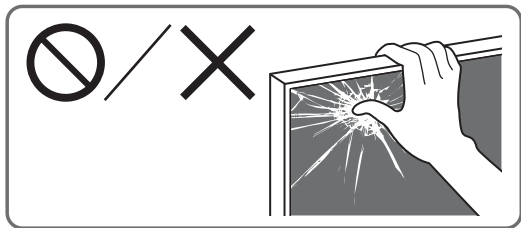
- 4 Свалете поставката за маса от телевизора.



Забележка

- Внимавайте, когато повдигате телевизора, тъй като стойката за маса не е закачена и може да се преобърне и да причини нараняване.
- Внимавайте, когато премахвате стойката за маса от телевизора, за да предотвратите падането ѝ и нараняването на повърхността, върху която стои телевизора.

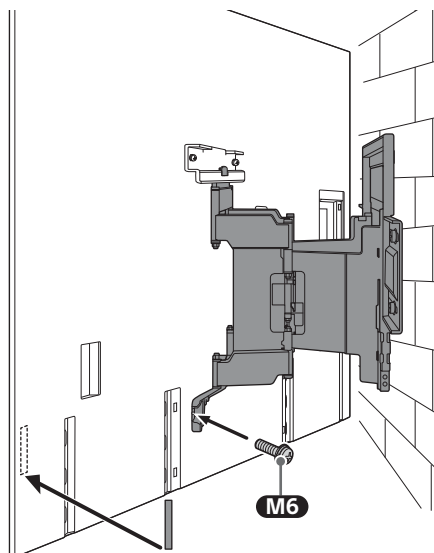
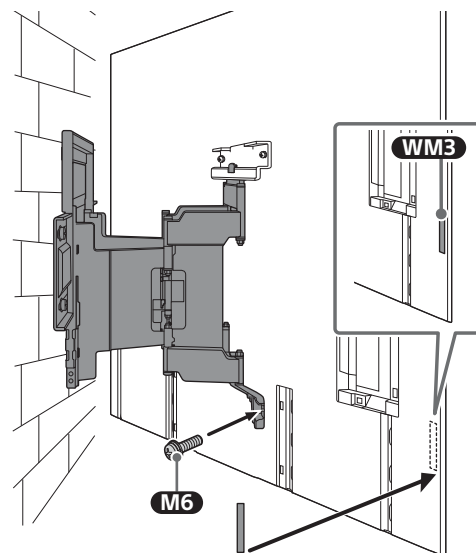
Монтаж на телевизора на стената

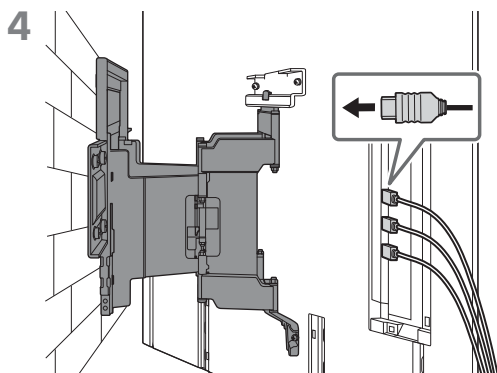


3 Завийте лявата и дясната страна на конзолата за закрепване към стена с помощта на **M6** и закрепете **WM3**.

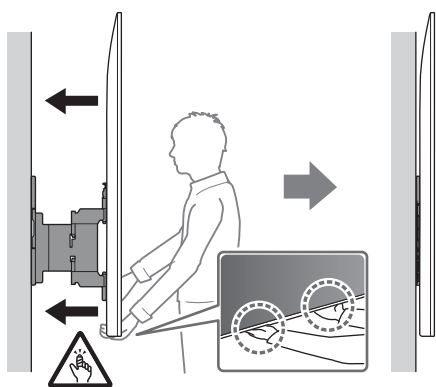
Забележка

- Не залепвайте **WM3** върху етикетите.



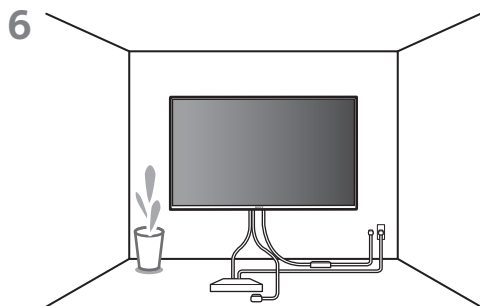


5 Когато местите телевизора, дръжте го здраво от долната страна.



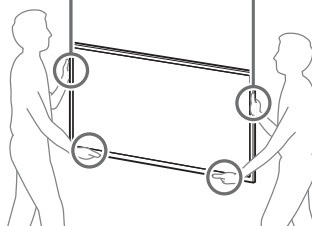
Забележка

- Телевизорът може да не се прибира плътно до стената в зависимост от типа и броя на свързаните кабели. Това не е неизправност.



ПРЕДУПРЕЖДЕНИЕ

- Необходими са две или повече лица (три или повече лица за телевизори от или над 189,3 см (75 инча)) за транспортиране на голям телевизор (с изключение на Египет).
Необходими са две или повече лица (три или повече лица за телевизори от или над 75 инча (189,3 см)) за транспортиране на голям телевизор (само за Египет).



Потвърдете приключването на монтажа

Проверете следните точки.

- Кабелите не са усукани или притиснати.

ПРЕДУПРЕЖДЕНИЕ

- Неправилното поставяне на захранващия кабел и т.н. може да причини пожар или електрически удар поради късо съединение. С оглед на безопасността проверете дали монтажът е завършен.

Друга информация

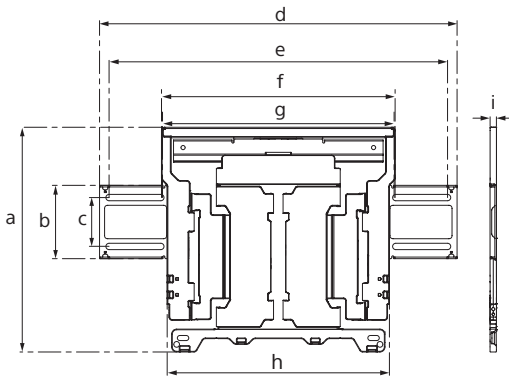
Когато сваляте телевизора, изпълнете процедурата на монтажа в обратен ред.

ПРЕДУПРЕЖДЕНИЕ

- Необходими са две или повече лица (три или повече лица за телевизори от или над 189,3 см (75 инча)) за транспортиране на голям телевизор (с изключение на Египет).
Необходими са две или повече лица (три или повече лица за телевизори от или над 75 инча (189,3 см)) за транспортиране на голям телевизор (само за Египет).

Спецификации

WM1



Размери: (прибл.) [мм]

a : 354

b : 116

c : 77

d : 563

e : 533

f : 370

g : 368

h : 350

i : 11

Тегло (само на основата): (прибл.) [kg]

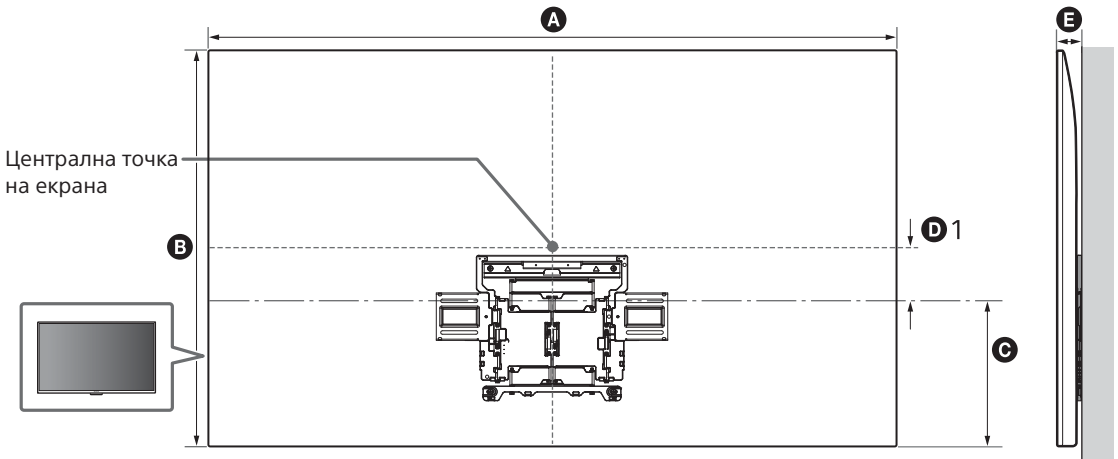
3,0

Дизайнът и спецификациите подлежат на промяна без предупреждение.

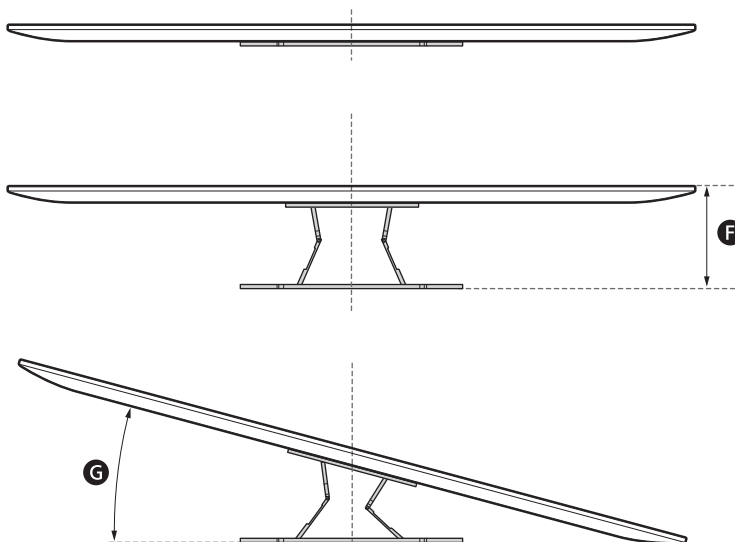
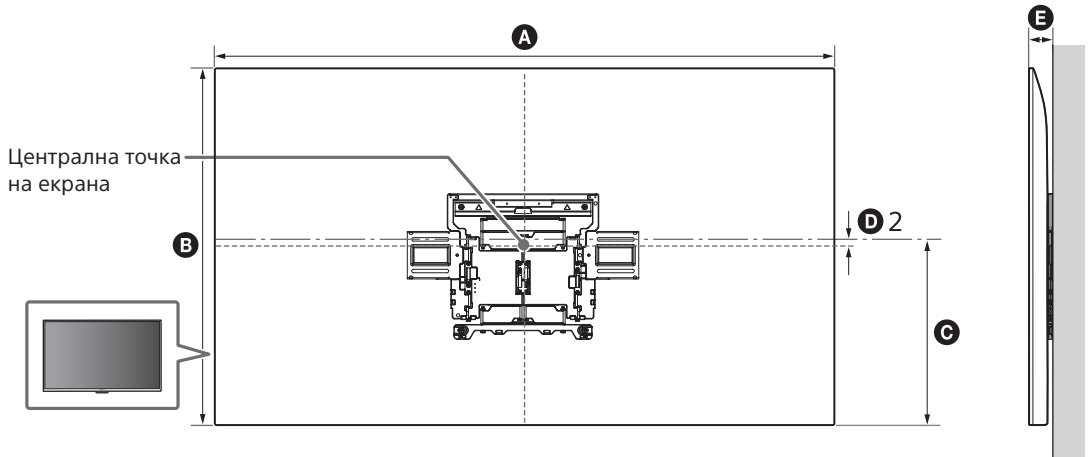
Препратки

Оразмеряване при монтажа на конзола за закрепване към стена

Числата в таблицата може леко да се различават в зависимост от начина на извършване на монтажа.



BG



(мм)

Име на модел	A	B	C	D 1	D 2	E	F ^{*1}	G ^{*1} (°)
K-77XR8x	1 713	984	362	139	-	48	251,4	12
K-65XR8x	1 442	829	362	57	-	48	250,8	17
K-55XR8x	1 223	706	362	-	3	48	250,8	19

*1 (Прибл.)

Сведения об использовании кронштейна для настенной установки Sony (SU-WL850)

Поддерживаемые модели*1:

*1 В актуальных именах моделей знак "x"/"xx" обозначает числа и/или символы, характерные для каждой модели.

K-77XR8x / 65XR8x / 55XR8x

К сведению покупателей

Для обеспечения сохранности изделия и из соображений безопасности компания Sony настоятельно рекомендует привлекать для установки телевизора только дилеров или лицензированных подрядчиков Sony. Не пытайтесь выполнить установку самостоятельно.

К сведению дилеров и подрядчиков Sony

Уделяйте повышенное внимание безопасности во время установки, периодического обслуживания и осмотра данного изделия.

Для правильной установки данного изделия необходим достаточный опыт, в особенности при определении того, в состоянии ли стена выдержать вес телевизора. Обязательно привлечите для установки этого изделия на стену дилеров или лицензированных подрядчиков Sony и строго соблюдайте технику безопасности при выполнении работ по установке. Компания Sony не несет ответственности за любые поломки или травмы, вызванные неправильным обращением с изделием или его неправильной установкой.

Для безопасной и надлежащей установки см. инструкции по эксплуатации кронштейна для настенной установки, руководство по установке телевизора и указания данного руководства.

Название продукта Кронштейн для настенной установки:

Кронштейн для настенной установки

Безопасность

Благодарим за покупку этого изделия.

К сведению покупателей

Установка телевизора на стену



ТРЕБУЕТСЯ ПРОФЕССИОНАЛЬНАЯ УСТАНОВКА

Данное изделие должен устанавливать квалифицированный специалист, умеющий определять прочность стены, которая должна выдерживать вес телевизора. Если телевизор не закрепить должным образом при установке, он может упасть и причинить тяжелые травмы. Компания Sony не несет ответственности за любые повреждения или травмы, вызванные неправильным обращением или ненадлежащей установкой, либо установкой любого другого изделия, кроме указанного. Это не влияет на ваши законные права (если таковые имеются).

Для дилеров Sony

Для установки данного изделия требуется достаточный опыт. Для безопасной установки устройства обязательно внимательно прочтите настоящее руководство по эксплуатации. Sony не несет ответственности в случае повреждения или получения травм в результате неправильного обращения или ненадлежащей установки. По окончании установки передайте это руководство покупателю.

В этом руководстве по эксплуатации приведены важные меры предосторожности и информация по обеспечению надлежащего обращения с изделием, которые необходимы для предотвращения несчастных случаев. Вы обязаны прочитать, полностью понять и соблюдать все инструкции, изложенные в настоящем руководстве по эксплуатации. Несоблюдение этого требования может привести к тяжелым травмам или повреждению имущества и стать причиной аннулирования гарантии. Сохраните настоящее руководство для использования в будущем.

Изделия Sony разработаны с учетом требований по безопасности. Однако неправильное использование изделий может стать причиной получения серьезных травм вследствие поражения электрическим током, возгорания, опрокидывания или падения изделия. Во избежание возникновения таких несчастных случаев обязательно соблюдайте соответствующие меры предосторожности.

Дата изготовления указана на изделии и упаковке на этикетке со штрих-кодом в следующем формате: YYYY/MM, где YYYY - год, MM - месяц изготовления.

Производитель: Сони Корпорейшн,
1-7-1 Конан Минота-ку Токио,
108-0075 Япония
Сделано в Китае

ВНИМАНИЕ

Указанные изделия

Данный кронштейн для настенной установки предназначен для отдельных моделей телевизоров. См. справочник к телевизору для проверки возможности использования кронштейна для настенной установки.

К сведению покупателей

ПРЕДУПРЕЖДЕНИЕ

Несоблюдение приведенных ниже мер предосторожности может стать причиной смерти или получения серьезных травм вследствие поражения электрическим током, возгорания, опрокидывания или падения изделия.

Обязательно обратитесь к лицензированному подрядчику, а также не допускайте того, чтобы дети находились вблизи места установки изделия.

Неправильная установка кронштейна для настенной установки или телевизора может стать причиной перечисленных ниже несчастных случаев. Для выполнения установки обязательно обратитесь к лицензированному подрядчику.

- Телевизор может упасть и стать причиной получения серьезных травм, например ушибов или переломов.
- Если стена, на которой выполняется установка кронштейна для настенной установки, неустойчивая, неровная или не вертикальная, изделие может упасть и получить повреждения или стать причиной травм или повреждения имущества. Стена должна быть достаточно прочной, чтобы выдержать вес, как минимум в шесть раз превышающий вес телевизора. (Чтобы узнать вес телевизора, см. справочник.)
- Если установка кронштейна для настенной установки выполняется на недостаточно прочной стене, изделие может упасть и получить повреждения или стать причиной травм или повреждения имущества.

Меры предосторожности в отношении детей

- Не позволяйте детям взбираться на телевизор.
- Храните мелкие детали вне досягаемости детей, чтобы они не могли случайно проглотить их.

Для перемещения или демонтажа телевизора обязательно обратитесь к лицензированным подрядчикам.

Если транспортировка или демонтаж телевизора выполняется не лицензированными подрядчиками, он может упасть и стать причиной травм или повреждения имущества. Для переноски телевизора больших размеров требуются два или более человек (три или более человек для переноски телевизора с диагональю 189,3 см (75 дюймов) и более) (кроме Египта).

Для переноски телевизора больших размеров требуются два или более человек (три или более человек для переноски телевизора с диагональю 75 дюймов (189,3 см) и более) (только Египет).

После монтажа телевизора не вынимайте винты и т. д.

В противном случае телевизор может упасть и стать причиной травм или повреждения имущества.

Не разбирайте и не меняйте детали кронштейна для настенной установки.

В противном случае кронштейн для настенной установки может упасть и стать причиной травм или повреждения имущества.

Не устанавливайте на кронштейн какое-либо другое оборудование, кроме указанного.

Этот кронштейн для настенной установки предназначен для использования только с указанными изделиями. Если на данном монтажном кронштейне крепится оборудование, не предназначенное для такой установки, оно может упасть или получить повреждения, а также может стать причиной травм или повреждения имущества.

RU

Во избежание перегрузки кронштейна для настенной установки не устанавливайте на нем ничего, кроме телевизора.

Не трясите телевизор влево/вправо, вверх/вниз.

В противном случае телевизор может упасть и стать причиной травм или повреждения имущества.

Не опирайтесь на телевизор и не держитесь за него.

Не опирайтесь на телевизор и не держитесь за него, так как он может упасть и стать причиной получения серьезных травм.

ВНИМАНИЕ

При несоблюдении следующих мер предосторожности существует вероятность получения травм или повреждения имущества.

- Соблюдайте осторожность, чтобы не прищемить пальцы при обращении с кронштейном для настенной установки или повороте телевизора.
- При повороте телевизора обращайтесь с ним осторожно, чтобы не задеть никого поблизости.
- Обязательно сохраните в безопасном месте неиспользованные детали для использования в дальнейшем. Храните их вне досягаемости детей.

Чистку устройства или уход за ним необходимо осуществлять, не прикладывая чрезмерных усилий.

Не перегружайте верхнюю часть телевизора. В противном случае телевизор может упасть и стать причиной травм или повреждения имущества.

Не размещайте данное изделие вблизи медицинских устройств.

Данное изделие (включая аксессуары) оснащено магнитом(ами), который может влиять на работу кардиостимуляторов, программируемых шунтирующих клапанов для лечения гидроцефалии или других медицинских устройств. Не размещайте данное изделие вблизи лиц, пользующихся такими медицинскими устройствами. Проконсультируйтесь с врачом перед использованием данного изделия, если вы пользуетесь любым медицинским устройством.

Храните в местах, недоступных для детей или лиц, находящихся под присмотром.

Данное изделие (включая аксессуары) оснащено магнитом(ами). Проглатывание магнита(ов) может привести к серьезным последствиям, например, опасности удушья или повреждениям желудочно-кишечного тракта. В случае проглатывания магнитов (или магнита) немедленно проконсультируйтесь с врачом.

Меры предосторожности

- Если телевизор, установленный на кронштейне для настенной установки, используется в течение длительного времени, то в зависимости от материала стены позади или над телевизором могут выцвести стены или отстать обои.
- После демонтажа кронштейна для настенной установки в стене останутся отверстия.
- Не используйте кронштейн для настенной установки в местах с механическими вибрациями.

Порядок установки кронштейна для настенной установки

Для дилеров Sony

ПРЕДУПРЕЖДЕНИЕ

Следующие инструкции предназначены только для дилеров Sony. Обязательно прочтите правила техники безопасности и соблюдайте особые меры предосторожности во время установки, обслуживания и проверки данного изделия.

Не устанавливайте кронштейн для настенной установки на таких стенах, где края телевизора будут выступать за края стены.

Не устанавливайте кронштейн для настенной установки на таких поверхностях стен (например, на колоннах), где края телевизора будут выступать за края поверхности стены. Задев за выступающие края телевизора, можно получить травму или повредить имущество.

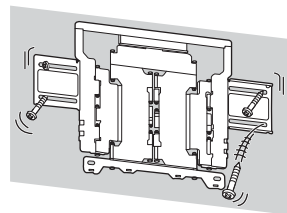


Не устанавливайте телевизор под кондиционером или над ним.

Если в течение продолжительного промежутка времени телевизор подвержен воздействию конденсата или потока воздуха из кондиционера, это может стать причиной возгорания телевизора, поражения электрическим током или неисправности телевизора.

Обязательно надежно прикрепите кронштейн для настенной установки к стене, следуя инструкциям, приведенным в настоящем руководстве по эксплуатации.

Если какой-либо из винтов ослаблен или выпал, кронштейн для настенной установки может упасть и стать причиной травм или повреждения имущества. Используйте винты, соответствующие материалу стены, и надежно закрепите устройство с помощью четырех винты диаметром 8 мм (или аналогичными).



Обязательно используйте входящие в комплект винты и детали для крепления и строго следуйте инструкциям, приведенным в данном руководстве по эксплуатации. Если при установке телевизора были использованы иные крепежные материалы, телевизор может упасть и получить повреждения или стать причиной травм.

Обязательно выполняйте сборку кронштейна, точно следуя инструкциям, изложенным в настоящем руководстве по эксплуатации.

Если какой-либо из винтов ослаблен или выпал, телевизор может упасть, что может стать причиной повреждения телевизора или получения травм.

Надежно затяните винты в предназначенных для них крепежных отверстиях.

В противном случае, телевизор может упасть, что может стать причиной повреждения телевизора или получения травм.

Следите за тем, чтобы во время установки телевизор не подвергался воздействию толчков.

Толчки могут вызвать падение и порчу телевизора. Это может привести к травме.

Устанавливайте телевизор на стене только в том случае, если она плоская и расположена под прямым углом к полу.

В противном случае телевизор может упасть и стать причиной травм.

После надлежащей установки телевизора обеспечьте безопасное расположение кабелей.

Кабели, представляющие препятствия для людей и объектов, могут стать причиной получения серьезных травм или повреждения телевизора.

Не допускайте заземления кабеля питания и соединительных кабелей.

Если кабель питания или соединительный кабель будет зажат между устройством и стеной или с силой изогнут или перекручен, то изоляция внутренних проводов может быть нарушена, что может стать причиной короткого замыкания или обрыва. Это может вызвать возгорание или привести к поражению электрическим током.



Винты, крепящие кронштейны для настенной установки к стене, в комплект поставки не входят.

При монтаже кронштейна для настенной установки используйте винты, соответствующие материалу и структуре стены.

Изделия должны храниться в картонной упаковке в темном, сухом, чистом и хорошо вентилируемом помещении в удалении от мест хранения кислот и щелочей. Температура хранения: от -20°C до $+60^{\circ}\text{C}$. Влажность хранения: $< 80\%$.

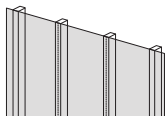
Перед началом работы

- Рисунки телевизора, приведенные в этом руководстве, являются примерами, используемыми для объяснения операций. По этой причине рисунки могут отличаться от вашего телевизора.

Каков материал стены?

Прежде всего проверьте тип стены, на которую устанавливается телевизор.

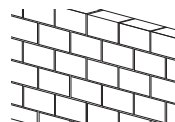
Стена из гипсокартона со стойками



Меры предосторожности

- Максимальная толщина сухой стены: 16 мм.
- Убедитесь, что внутренний размер деревянного стержня не менее 51 мм × 102 мм в качестве стандартного или 38 мм × 89 мм в качестве номинального.
- Между крепежами обеспечьте по горизонтали не менее 406 мм свободного места.

Монолитная бетонная конструкция или бетонный блок



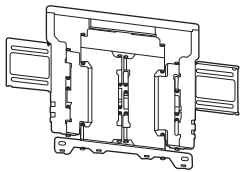



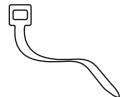
Меры предосторожности

- Устанавливайте кронштейн для настенной установки непосредственно на сплошную бетонную стену.
- Убедитесь, что толщина сплошной бетонной стены составляет не менее 203 мм.
- Убедитесь, что размер каждого бетонного блока составляет не менее 203 мм × 203 мм × 406 мм.

Проверка комплектации



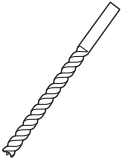
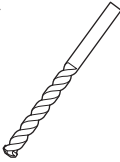
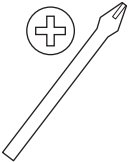
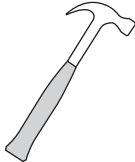
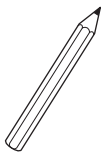

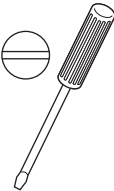




Прилагается к SU-WL850

- Проверьте комплектность товара.

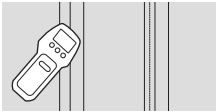
WM1 (x1) 	WM2 (x1) 	WM3 (x4) 
M6 (x4) 	WT1 (x6) 	

Подготовка к установке

- Во время установки справочник и руководство по установке телевизора всегда должны быть под рукой.
- Выберите место установки телевизора.
- Подготовьте четыре шурупа диаметром 8 мм и четыре соответствующие шайбы (не входят в комплект). Выберите винты в соответствии с материалом стены.
- Подготовьте следующие инструменты:

*1 		 5,5 мм	 10 мм	
*2 		 1,5 Н·м {15 кгс·см}	*3  1,5 Н·м {15 кгс·см}	
	*2  (×4)	*4  (×4) 8 мм × 60 мм	*4  (×4)	

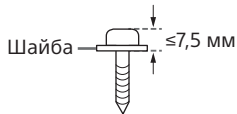
*1 Только для гипсокартона с дюбелями



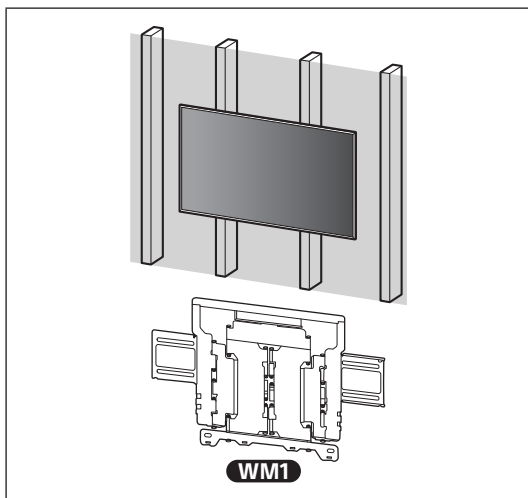
*2 Только для полнотелого бетона или бетонных блоков

*3 В зависимости от модели

*4 Обращайте внимание на выбор винтов и шайб



А Прикрепление кронштейна для настенной установки к стене из гипсокартона со стойками



Монтаж кронштейна для настенной установки на стену

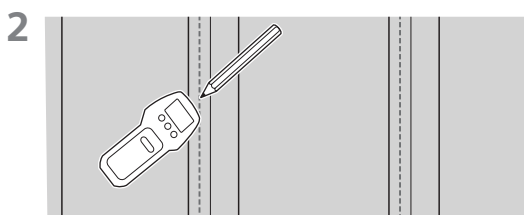
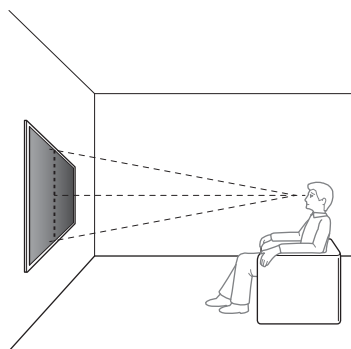
1 Определите местоположение для установки.

Убедитесь, что на стене достаточно места для телевизора и что она способна выдержать вес, как минимум в шесть раз превышающий их вес.

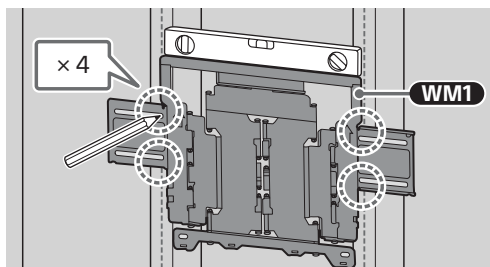
- См. раздел “Размеры для кронштейна для настенной установки на стену” на стр. 19.
- См. Справочник для телевизора для просмотра сведений о весе телевизора.

Примечание

- При установке телевизора на стену верхняя часть телевизора слегка наклоняется вперед.
- Рекомендуется проверить расположение телевизора с места просмотра.



2 Расположите **WM1** на стене и сделайте четыре отметки, совмещенные со стойками.

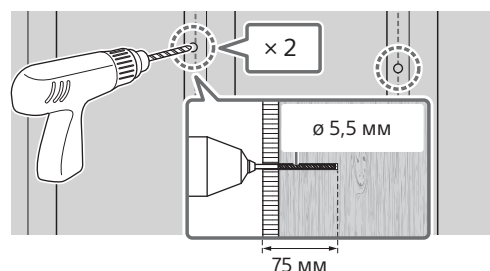


Примечание

- Проверьте горизонтальность **WM1** с помощью уровня.

4 Просверлите верхние установочные отверстия в местах отметок.

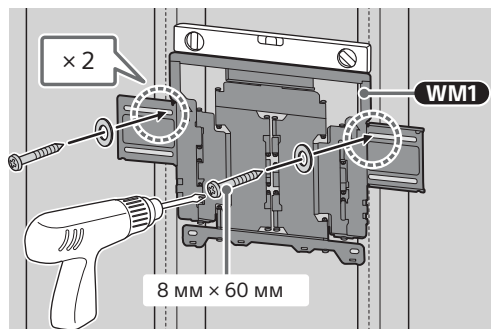
Убедитесь, что место на стене, где будут просверлены отверстия, обладает достаточной прочностью, чтобы выдержать вес, по крайней мере, в шесть раз превышающий вес устанавливаемого телевизора.



Примечание

- Установочные отверстия необходимо просверлить на глубину 75 мм, используя головку сверла диаметром 5,5 мм.

- 5 Установите **WM1** на стену и закрепите подходящими винтами (не входит в комплект) и шайбами (не входит в комплект).



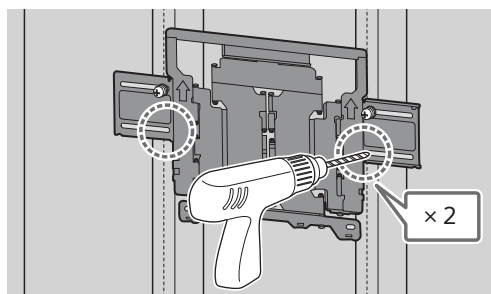
Примечание

- Проверьте горизонтальность **WM1** с помощью уровня.

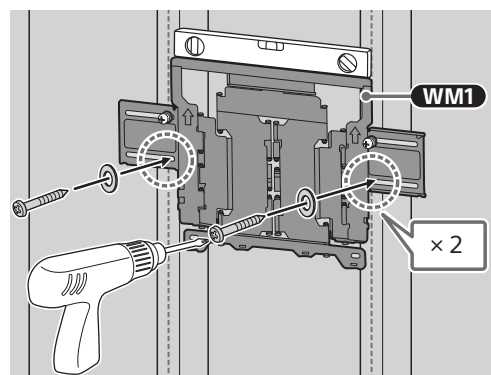
Меры предосторожности

- Не перетягивайте деревянные винты 8 мм x 60 мм. Неверная затяжка может привести к снижению силы фиксации деревянного винта 8 мм x 60 мм.

- 6 Просверлите нижние установочные отверстия в местах отметок. (Инструкции по сверлению см. в шаге 4.)



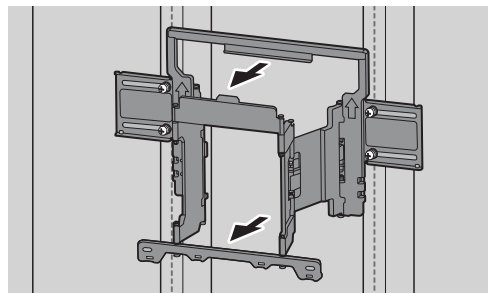
- 7 Вставьте в отверстия подходящие винты и шайбы.



Примечание

- Проверьте горизонтальность **WM1** с помощью уровня.

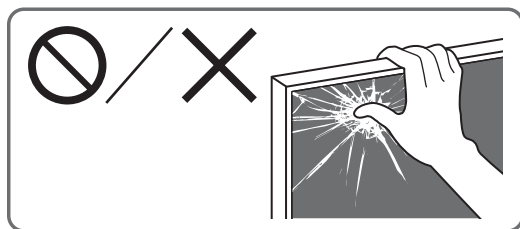
- 8 Полностью выдвиньте консоль кронштейна.



Подготовка к установке телевизора

Примечание

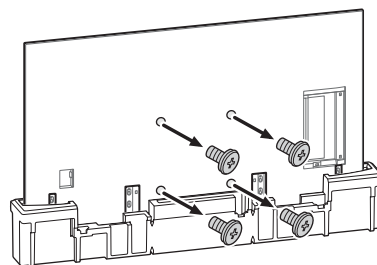
- Храните извлеченные винты и неиспользуемые детали в надежном недоступном для детей месте.



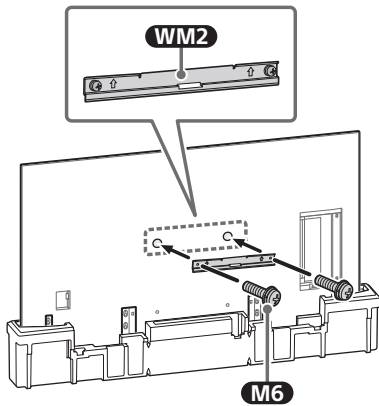
Установка телевизора на стену из коробки*1

- *1 Только для определенных регионов/стран/моделей.

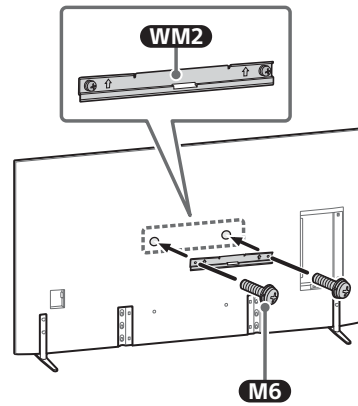
- 1 Извлеките винты из задней панели телевизора.



2 Прикрепите телевизор к **WM2** с помощью **M6**.

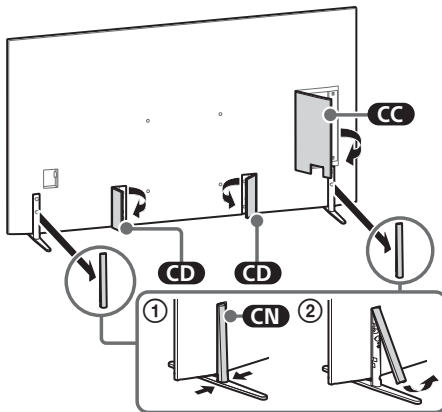


3 Прикрепите телевизор к **WM2** с помощью **M6**.

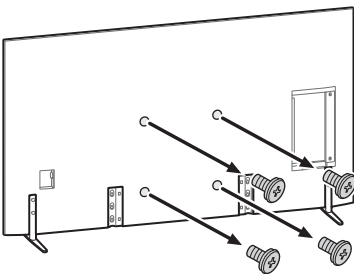


Установка телевизора с настольной подставки на стену

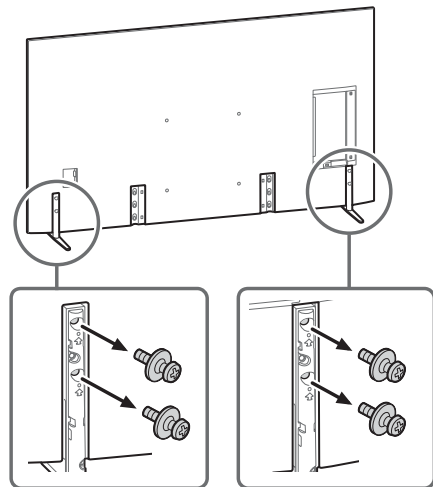
1 Снимите крышки подставки и крышки разъемов.



2 Извлеките винты из задней панели телевизора.



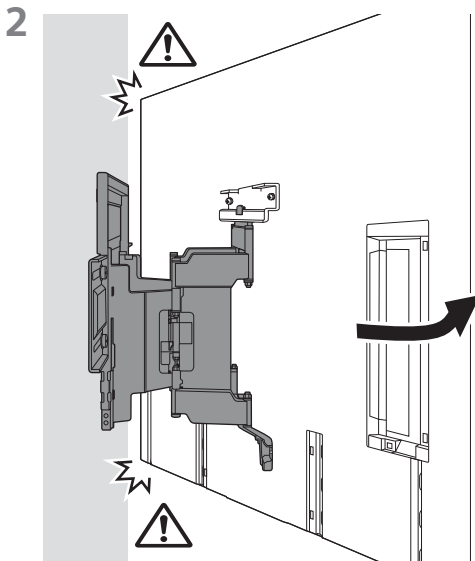
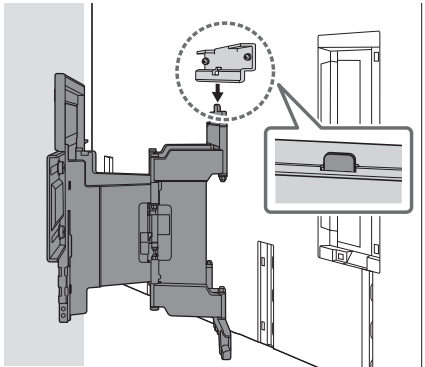
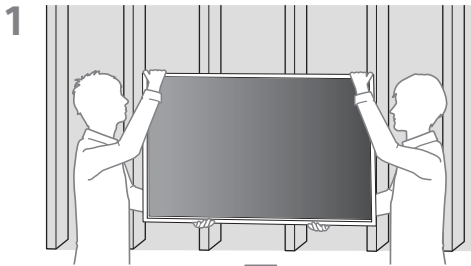
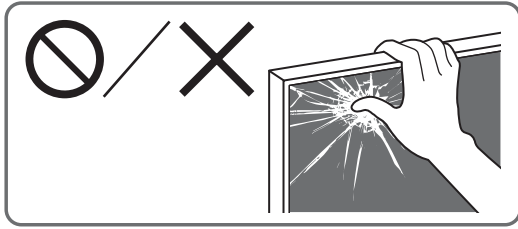
4 Отсоедините настольную подставку от телевизора.



Примечание

- Будьте осторожны при поднятии телевизора, так как настольная подставка может отсоединиться и упасть, что может привести к травме.
- Будьте осторожны при отсоединении настольной подставки от телевизора во избежание опрокидывания устройства и повреждения поверхности, на которой расположен телевизор.

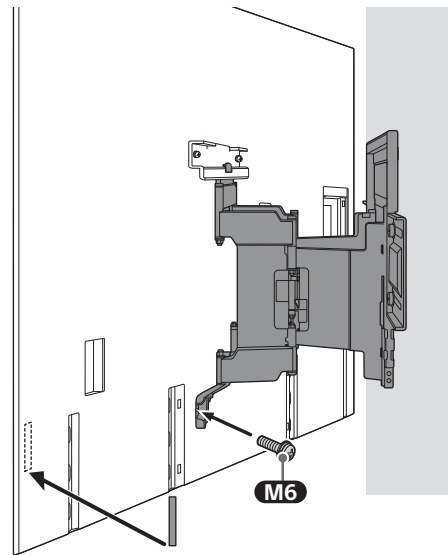
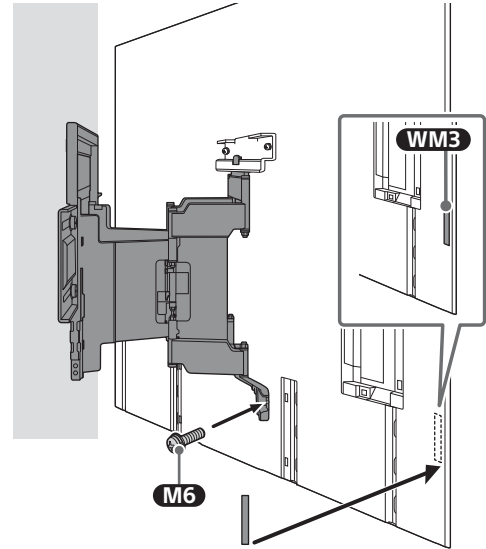
Установка телевизора на стену



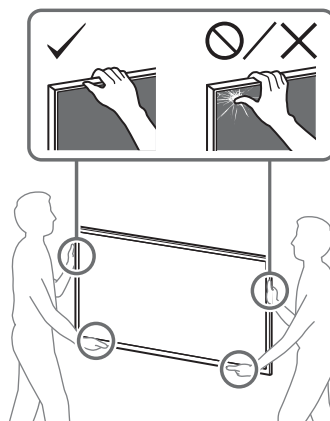
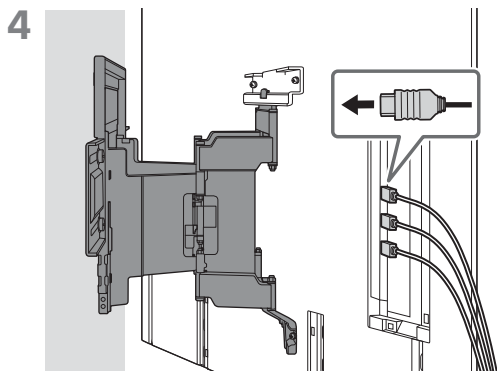
3 Затяните левую и правую стороны кронштейна для настенной установки с помощью **M6**, а затем прикрепите **WM3**.

Примечание

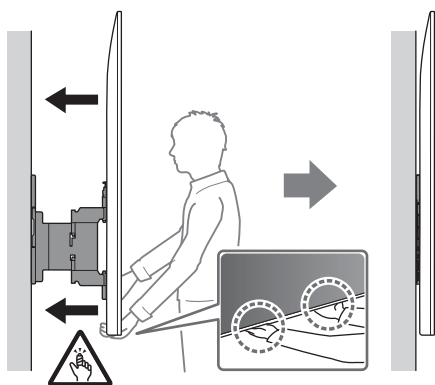
- Не прикрепляйте **WM3** на наклейки.



RU

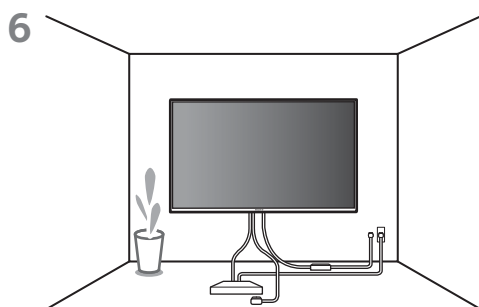


5 При перемещении телевизора удерживайте его за нижнюю часть.



Примечание

- Телевизор может не прижиматься близко к стене в зависимости от типа и количества подсоединенных кабелей. Это не является неисправностью.



ПРЕДУПРЕЖДЕНИЕ

- Для переноски телевизора больших размеров требуются два или более человек (три или более человек для переноски телевизора с диагональю 189,3 см (75 дюймов) и более) (кроме Египта). Для переноски телевизора больших размеров требуются два или более человек (три или более человек для переноски телевизора с диагональю 75 дюймов (189,3 см) и более) (только Египет).

Проверка выполнения установки

Проверьте следующие пункты.

- Шнур и кабель не перекручены и не защемлены.

ПРЕДУПРЕЖДЕНИЕ

- Неправильное расположение сетевого кабеля и т.д. может привести к возгоранию или поражению электрическим током в результате короткого замыкания. Для обеспечения безопасности убедитесь в том, что все пункты установки выполнены.

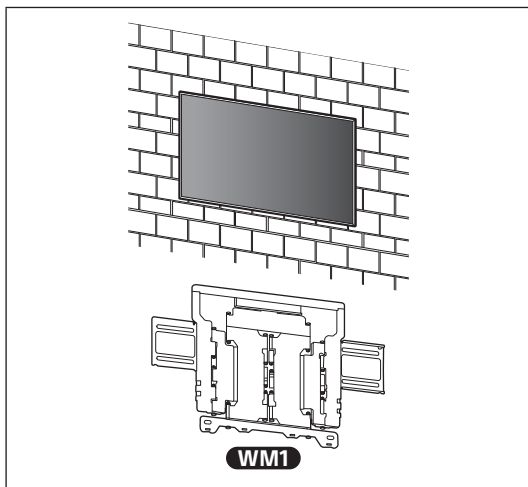
Прочая информация

При снятии телевизора выполните описанную выше процедуру в обратной последовательности.

ПРЕДУПРЕЖДЕНИЕ

- Для переноски телевизора больших размеров требуются два или более человек (три или более человек для переноски телевизора с диагональю 189,3 см (75 дюймов) и более) (кроме Египта). Для переноски телевизора больших размеров требуются два или более человек (три или более человек для переноски телевизора с диагональю 75 дюймов (189,3 см) и более) (только Египет).

В Установка кронштейна для настенной установки на монолитной бетонной конструкции или бетонном блоке



Монтаж кронштейна для настенной установки на стену

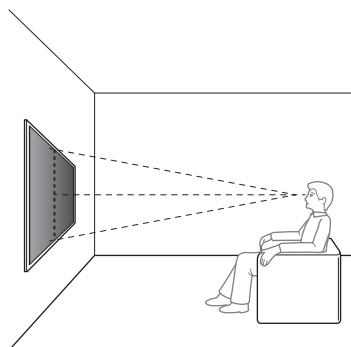
1 Определите местоположение для установки.

Убедитесь, что на стене достаточно места для телевизора и что она способна выдержать вес, как минимум в шесть раз превышающий их вес.

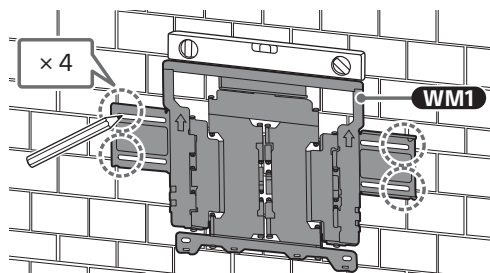
- См. раздел “Размеры для кронштейна для настенной установки на стену” на стр. 19.
- См. Справочник для телевизора для просмотра сведений о весе телевизора.

Примечание

- При установке телевизора на стену верхняя часть телевизора слегка наклоняется вперед.
- Рекомендуется проверить расположение телевизора с места просмотра.



2 Выровняйте WM1 по стене и нанесите четыре метки.

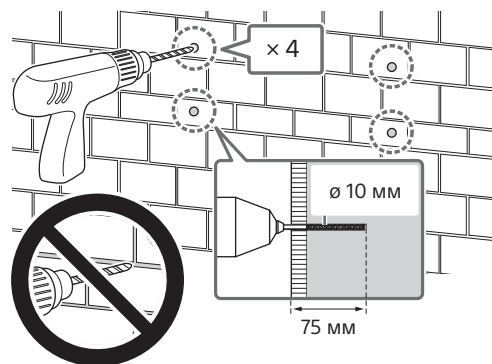


Примечание

- Проверьте горизонтальность WM1 с помощью уровня.

3 Просверлите опорные отверстия по нанесенным меткам.

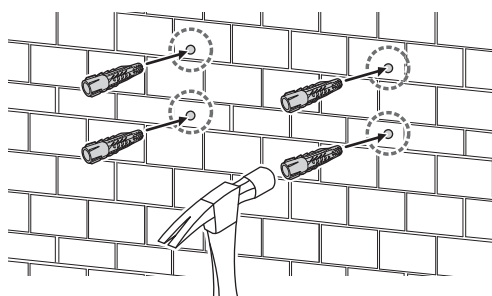
Убедитесь, что место на стене, где будут просверлены отверстия, обладает достаточной прочностью, чтобы выдержать вес, по крайней мере, в шесть раз превышающий вес устанавливаемого телевизора.



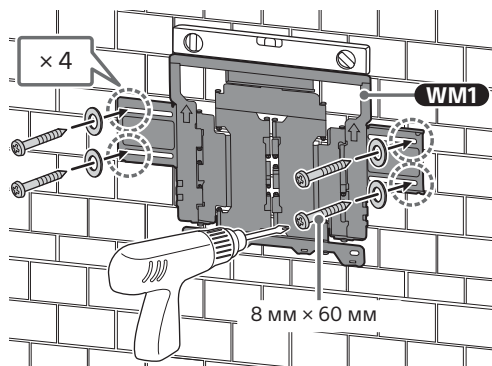
Примечание

- Установочные отверстия необходимо просверлить на глубину 75 мм, используя головку сверла диаметром 10 мм.

4



- 5 Установите **WM1** на стену и закрепите подходящими винтами (не входит в комплект) и шайбами (не входит в комплект).



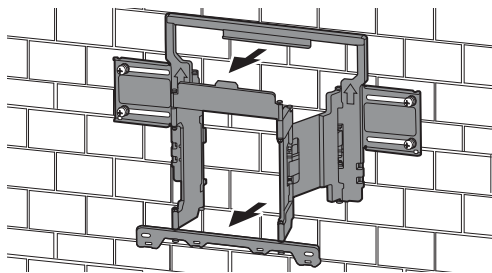
Примечание

- Проверьте горизонтальность **WM1** с помощью уровня.

Меры предосторожности

- Не перетягивайте деревянные винты 8 мм × 60 мм. Неверная затяжка может привести к снижению силы фиксации деревянного винта 8 мм × 60 мм.

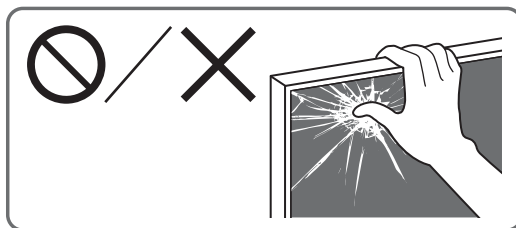
- 6 Полностью выдвиньте консоль кронштейна.



Подготовка к установке телевизора

Примечание

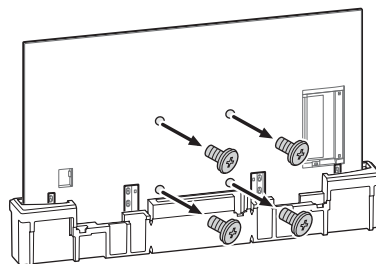
- Храните извлеченные винты и неиспользуемые детали в надежном недоступном для детей месте.



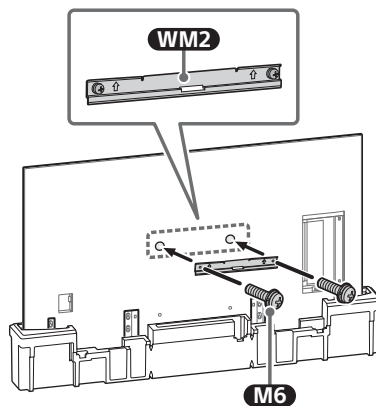
Установка телевизора на стену из коробки*1

- *1 Только для определенных регионов/ стран/моделей.

- 1 Извлеките винты из задней панели телевизора.

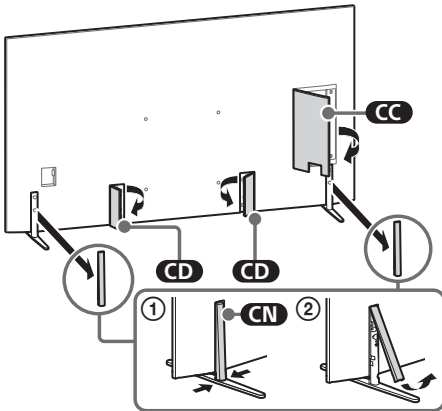


- 2 Прикрепите телевизор к **WM2** с помощью **M6**.

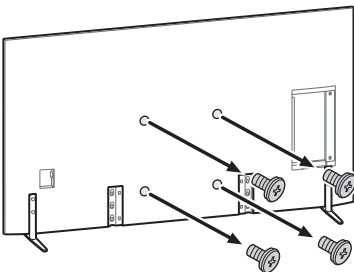


Установка телевизора с настольной подставкой на стену

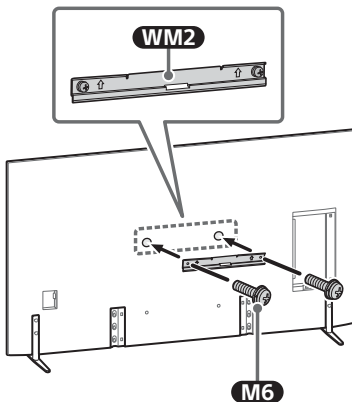
- 1 Снимите крышки подставки и крышки разъемов.



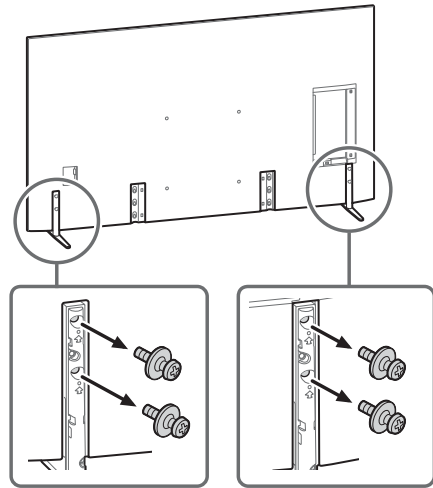
- 2 Извлеките винты из задней панели телевизора.



- 3 Прикрепите телевизор к **WM2** с помощью **M6**.



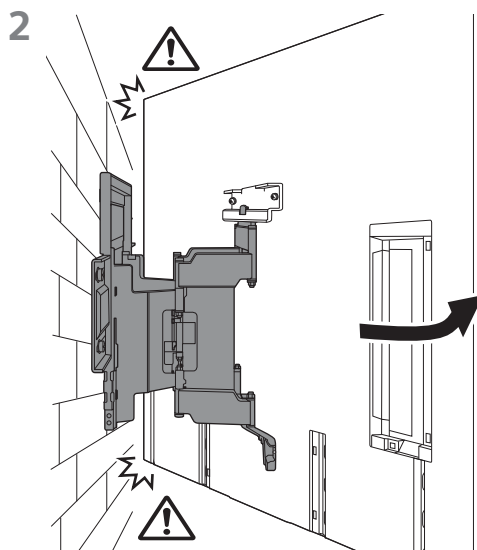
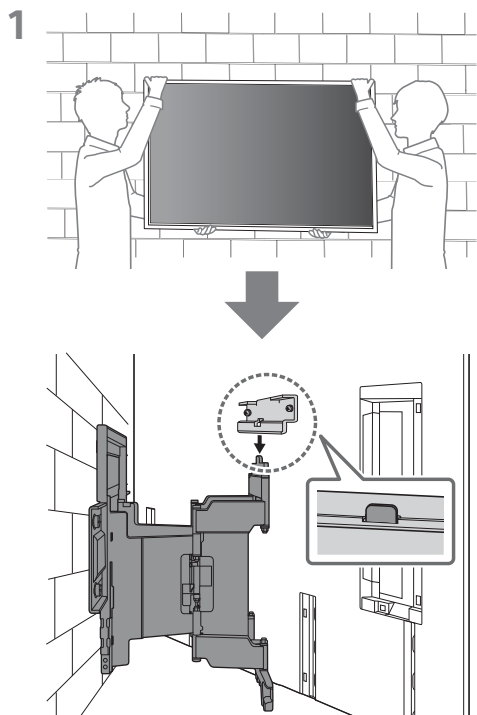
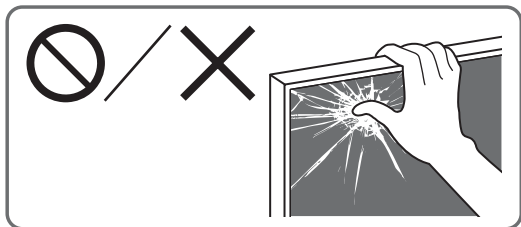
- 4 Отсоедините настольную подставку от телевизора.



Примечание

- Будьте осторожны при поднятии телевизора, так как настольная подставка может отсоединиться и упасть, что может привести к травме.
- Будьте осторожны при отсоединении настольной подставки от телевизора во избежание опрокидывания устройства и повреждения поверхности, на которой расположен телевизор.

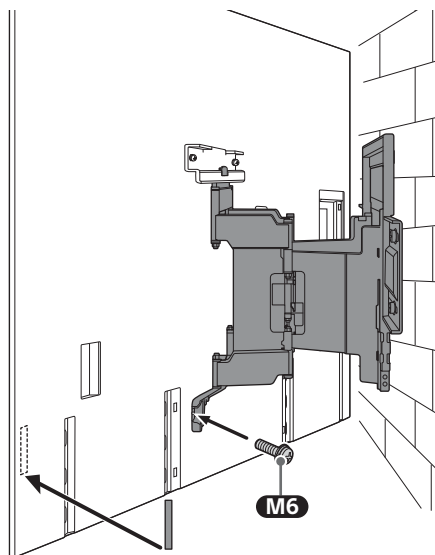
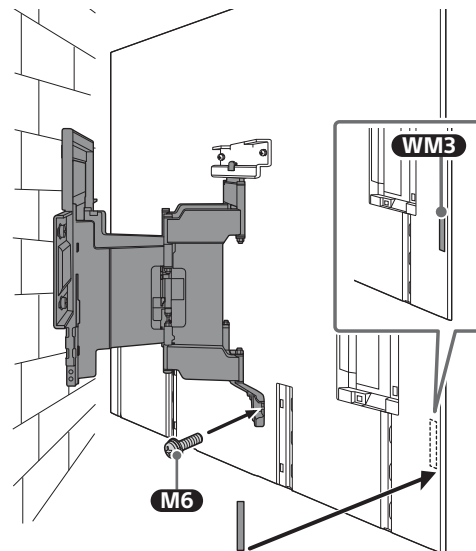
Установка телевизора на стену

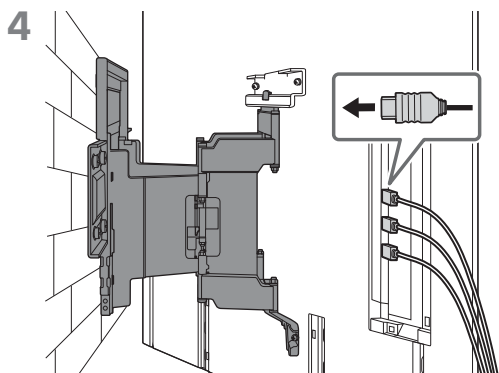


3 Затяните левую и правую стороны кронштейна для настенной установки с помощью **M6**, а затем прикрепите **WM3**.

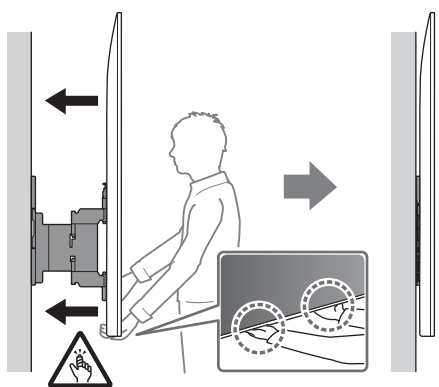
Примечание

- Не прикрепляйте **WM3** на наклейки.



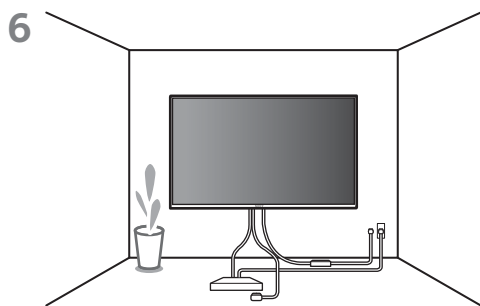


5 При перемещении телевизора удерживайте его за нижнюю часть.



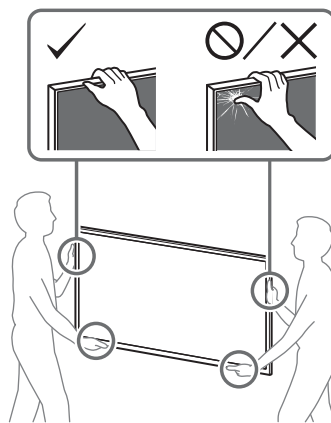
Примечание

- Телевизор может не прижиматься близко к стене в зависимости от типа и количества подсоединенных кабелей. Это не является неисправностью.



ПРЕДУПРЕЖДЕНИЕ

- Для переноски телевизора больших размеров требуются два или более человек (три или более человек для переноски телевизора с диагональю 189,3 см (75 дюймов) и более) (кроме Египта). Для переноски телевизора больших размеров требуются два или более человек (три или более человек для переноски телевизора с диагональю 75 дюймов (189,3 см) и более) (только Египет).



Проверка выполнения установки

Проверьте следующие пункты.

- Шнур и кабель не перекручены и не защемлены.

ПРЕДУПРЕЖДЕНИЕ

- Неправильное расположение сетевого кабеля и т.д. может привести к возгоранию или поражению электрическим током в результате короткого замыкания. Для обеспечения безопасности убедитесь в том, что все пункты установки выполнены.

Прочая информация

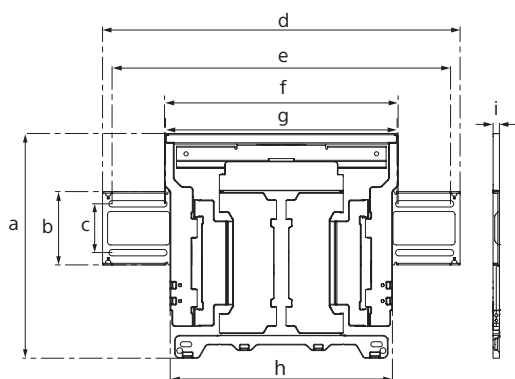
При снятии телевизора выполните описанную выше процедуру в обратной последовательности.

ПРЕДУПРЕЖДЕНИЕ

- Для переноски телевизора больших размеров требуются два или более человек (три или более человек для переноски телевизора с диагональю 189,3 см (75 дюймов) и более) (кроме Египта). Для переноски телевизора больших размеров требуются два или более человек (три или более человек для переноски телевизора с диагональю 75 дюймов (189,3 см) и более) (только Египет).

Технические характеристики

WM1



Размеры: (прибл.) [мм]

a : 354
b : 116
c : 77
d : 563
e : 533
f : 370
g : 368
h : 350
i : 11

Вес (только основание): (прибл.) [кг]

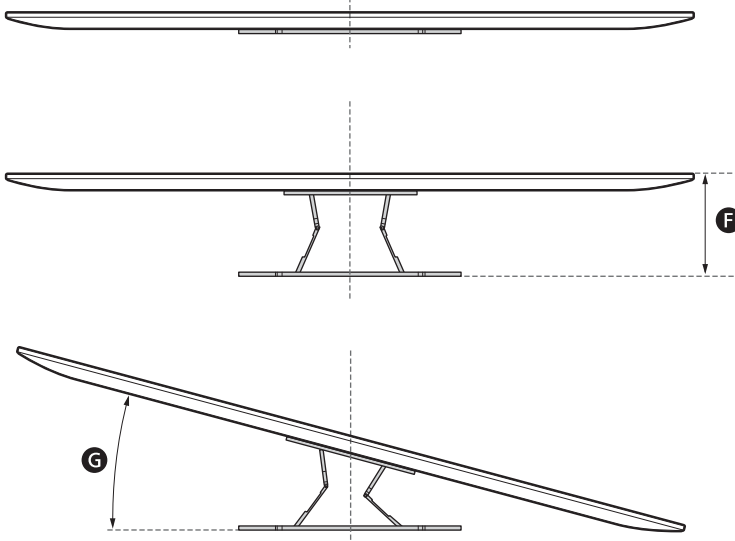
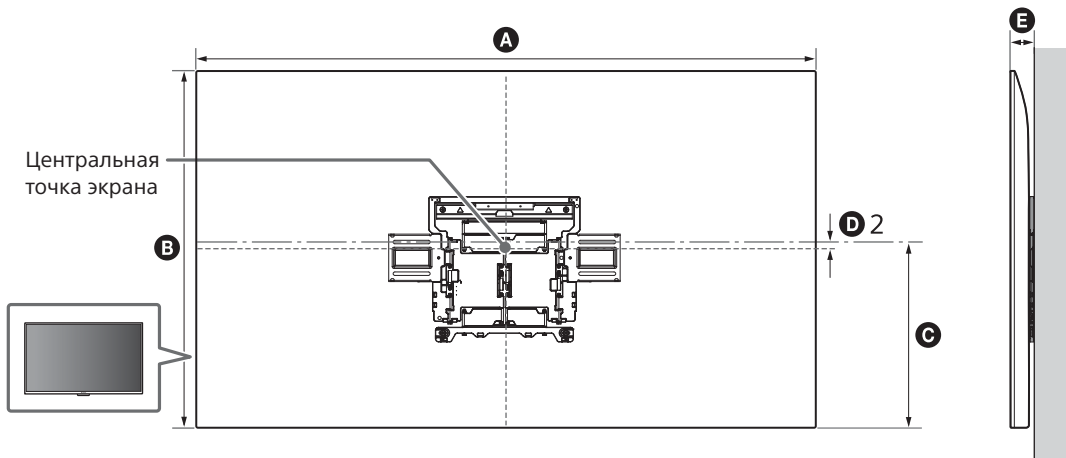
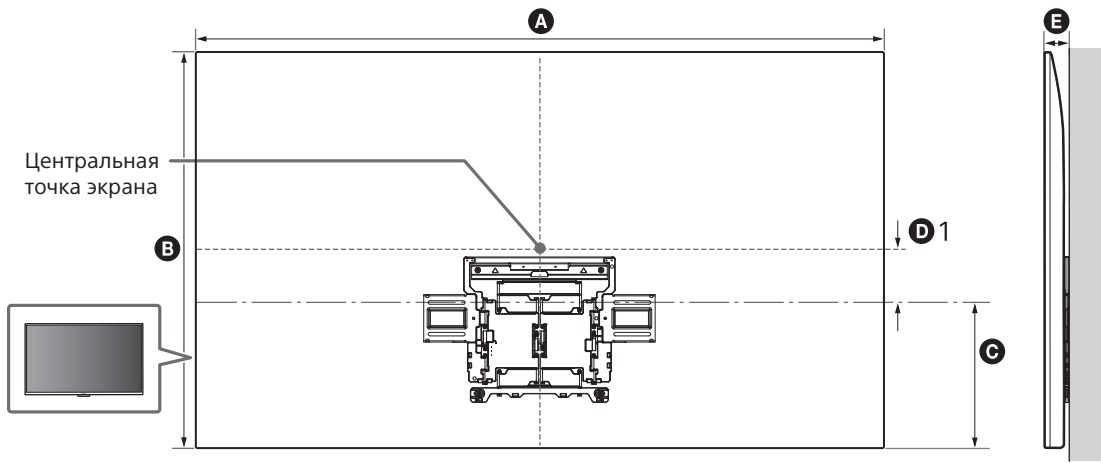
3,0

Конструкция и характеристики могут быть изменены без предварительного уведомления.

Ссылки

Размеры для кронштейна для настенной установки на стену

Рисунки в таблице могут немного отличаться в зависимости от установки.



(мм)

Название модели	A	B	C	D 1	D 2	E	F ^{*1}	G ^{*1} (°)
K-77XR8x	1 713	984	362	139	–	48	251,4	12
K-65XR8x	1 442	829	362	57	–	48	250,8	17
K-55XR8x	1 223	706	362	–	3	48	250,8	19

*1 (Прибл.)

Інформація зі встановлення з використанням кронштейна для настінного кріплення Sony (SU-WL850)

Моделі, що підтримуються*1:

*1 Позначка «х»/«хх» відповідає індивідуальними цифрам та/або символам, які присутні в номерах окремих моделей.

K-77XR8x / 65XR8x / 55XR8x

До уваги споживачів

Для захисту виробу та з міркувань безпеки компанія Sony настійно рекомендує, щоб встановлення телевізора здійснювалося дилерами або ліцензованими підрядниками Sony. Не намагайтеся встановити його самостійно.

Інформація для дилерів і підрядників Sony

Приділяйте максимальну увагу безпеці під час встановлення, періодичного обслуговування та перевірки виробу.

Для встановлення цього виробу, особливо для визначення міцності стіни, яка повинна витримувати вагу телевізора, необхідно мати достатній досвід. Довіряйте виконання монтажу тільки дилерам чи ліцензованим підрядникам Sony та приділяйте належну увагу безпеці під час встановлення. Компанія Sony не несе жодної відповідальності за збитки й травми, викликані неправильною експлуатацією чи встановленням.

Для безпечного та правильного встановлення слід дотримуватись інструкції з експлуатації кронштейну для настінного кріплення, посібника із налаштування телевізора та вказівок цього керівництва.

Кронштейн для настінного кріплення

Відомості з безпеки

Дякуємо за придбання цього виробу.

До уваги споживачів Встановлення телевізора на стіні



ДОРУЧАЙТЕ ВСТАНОВЛЕННЯ ПРОФЕСІОНАЛАМ

Цей виріб має бути встановлений фахівцем, який уміє визначати міцність стіни, що повинна витримувати вагу телевізора. Неправильно закріплений телевізор може впасти і завдати важкої травми. Компанія Sony не несе жодної відповідальності за збитки і травми, спричинені неправильним використанням чи встановленням цього виробу, а також застосуванням виробів, відмінних від вказаного. Це не стосується ваших прав передбачених законом (якщо такі є).

До уваги дилерів компанії Sony

Для встановлення цього виробу необхідно мати достатні знання та навички. Обов'язково уважно прочитайте цей посібник з експлуатації, щоб безпечно виконати роботи з монтажу. Компанія Sony не несе відповідальності за шкоду та травми, що виникли через неправильне поводження або неналежно виконаний монтаж. Після встановлення передайте цей посібник споживачу.

У цьому посібнику з експлуатації описано правильне поводження з виробом, а також наведено важливі застережні заходи, необхідні для уникнення нещасних випадків. Уважно прочитайте всі інструкції в цьому посібнику з експлуатації й ретельно виконуйте їх. Недотримання цієї вимоги може спричинити тяжку травму, серйозне пошкодження майна й ануляцію гарантії. Зберігайте цей посібник для перегляду в майбутньому.

Під час розробки продуктів Sony безпека стоїть на першому місці. Однак, неправильне поводження з виробами може призвести до серйозних травм унаслідок пожежі, ураження електричним струмом, перекидання виробу чи його падіння. Щоб запобігти таким випадкам, обов'язково дотримуйтеся правил техніки безпеки.

Дата виготовлення зазначена на виробі та упаковці на етикетці зі штрих-кодом у наступному форматі:
YYYY/MM, де YYYY - рік, MM - місяць виготовлення.

Виробник: Соні Корпорейшн,
1-7-1 Конан Мінато-ку Токіо,
108-0075 Японія
Зроблено в Китаї

ПОПЕРЕДЖЕННЯ

Зазначені вироби

Цей кронштейн для настінного кріплення призначено для використання лише з телевізорами, зазначеними для даного виробу. Інформацію щодо можливості використання кронштейна для настінного кріплення дивіться в Довідковому посібнику до відповідних моделей телевізора.

До уваги споживачів

ЗАСТЕРЕЖЕННЯ

Якщо не дотримуватися наведених нижче застережних заходів, можливі серйозні травми чи смерть унаслідок пожежі, ураження електричним струмом чи падіння виробу.

Обов'язково доручіть установлення підрядникам, які мають ліцензію, та слідкуйте за тим, щоб під час монтажу поряд не було дітей.

Якщо кронштейн для настінного кріплення або телевізор встановлено неправильно, можуть статися наведені нижче нещасні випадки. Монтаж мають виконувати підрядники, які мають ліцензію.

- Телевізор може впасти та призвести до таких серйозних травм, як синець або перелом.
- Якщо стіна, на яку встановлюється кронштейн для настінного кріплення, нестабільна, нерівна або неперпендикулярна підлозі, кронштейн може впасти та стати причиною травмування або пошкодження майна. Стіна повинна бути в змозі витримати вагу, щонайменше в шість разів більшу за вагу телевізора. (Вагу телевізора можна дізнатися в Довідковому посібнику.)
- Якщо кронштейн для настінного кріплення встановлюється на стіні недостатньо надійно, кронштейн може впасти та стати причиною травмування або пошкодження майна.

Щодо дітей

- Не дозволяйте дітям залазити на телевізор.
- Тримайте малі деталі поза доступом дітей, щоб діти їх випадково не проковтнули.

Обов'язково доручіть переміщення або демонтування телевізора підрядниками, які мають ліцензію.

Якщо інші особи, окрім підрядників, які мають ліцензію, переміщуватимуть чи демонтуватимуть телевізор, то він може впасти та стати причиною травмування або пошкодження майна. Для перенесення великого телевізора потрібно двоє або більше осіб (троє або більше осіб для телевізора з діагоналлю 189,3 см (75 дюймів) або більшою) (крім Єгипту).

Для перенесення великого телевізора потрібно двоє або більше осіб (троє або більше осіб для телевізора з діагоналлю 75 дюймів (189,3 см) або більшою) (тільки для Єгипту).

Не викручуйте гвинти, тощо, після монтування телевізора.

Якщо зробити це, телевізор може впасти та завдати серйозних травм чи призвести до пошкодження майна.

Не змінюйте деталі кронштейна для настінного кріплення.

Якщо зробити це, кронштейн для настінного кріплення може впасти та завдати серйозних травм чи призвести до пошкодження майна.

Не встановлюйте ніяких інших пристроїв, крім зазначеного виробу.

Цей кронштейн для настінного кріплення призначено для використання лише із зазначеним виробом. У випадку встановлення інших пристроїв, крім зазначених, вони можуть впасти чи зламатися та завдати серйозних травм чи призвести до пошкодження майна.

Не застосовуйте до кронштейна для настінного кріплення інші навантаження, окрім телевізора. Не розкитуйте телевізор уліво/вправо чи вгору/вниз.

Якщо зробити це, телевізор може впасти та завдати серйозних травм чи призвести до пошкодження майна.

Не спірайтеся на телевізор і не чіпляйтеся за нього.

Не спірайтеся на телевізор і не чіпляйтеся за нього, оскільки він може впасти на вас та завдати серйозних травм.

UA

ПОПЕРЕДЖЕННЯ

Якщо не дотримуватися наведених нижче застережних заходів, це може призвести до серйозних травм чи пошкодження майна.

- Пильнуйте, щоб не защемити пальці під час регулювання кронштейна для настінного кріплення або зміни кута нахилу телевізора.
- Розвертайте телевізор обережно, щоб не зачепити того, хто перебуває поруч.
- Зберігайте деталі, що не використовуються, у безпечному місці. Тримайте їх у недоступному для дітей місці.

Під час очищення або обслуговування виробу не прикладайте до нього надмірної сили.

Не прикладайте надмірної сили до верхньої частини телевізора. Якщо зробити це, телевізор може впасти та завдати серйозних травм чи призвести до пошкодження майна.

Не кладіть цей виріб поблизу медичних пристроїв.

Цей виріб (включно з приладдям) містить магніт(и), які можуть перешкоджати роботі кардіостимуляторів, програмованих шунтувальних клапанів, призначених для лікування гідроцефалії, та інших медичних пристроїв. Не кладіть цей виріб поблизу людей, що використовують такі медичні пристрої. Якщо ви використовуєте будь-який з цих медичних пристроїв, проконсультуйтеся з лікарем, перш ніж починати користуватися цим виробом.

Тримайте в місцях, недоступних для дітей та осіб, які потребують нагляду.

Цей виріб (включно з приладдям) містить магніт(и). Проковтування магніту(ів) становить велику небезпеку, як-от можливість задусення або травмування шлунково-кишкового тракту. У разі проковтування магнітів (або магніту) негайно зверніться до лікаря.

Застережні заходи

- Якщо телевізор, установлений на кронштейн для настінного кріплення, буде використовуватися протягом тривалого часу, залежно від матеріалу, яким вкрита стіна, поверхня стіни за телевізором чи над ним може знебарвитися або від стіни можуть відклеїтися шпалери.
- Якщо кронштейн для настінного кріплення зняти після того, як його було встановлено на стіні, в стіні залишаться отвори від шурупів.
- Не використовуйте кронштейн для настінного кріплення в місцях, де відбувається механічна вібрація.

Встановлення кронштейна для настінного кріплення

До уваги дилерів компанії Sony

ЗАСТЕРЕЖЕННЯ

Наведені нижче інструкції призначено лише для дилерів компанії Sony. Обов'язково прочитайте застережні заходи, викладені вище, і зверніть особливу увагу на безпеку під час монтажу, обслуговування та перевірки цього виробу.

Не встановлюйте кронштейн для настінного кріплення в місцях на стіні, де краї чи боки телевізора виступають за межі поверхні стіни.

Не встановлюйте кронштейн для настінного кріплення на таких поверхнях, як колони, оскільки в цих місцях краї чи боки телевізора виступають за межі поверхні стіни. Якщо людина чи предмет випадково вдарить по куту чи боковій стороні телевізора, які виступають за край стіни, це може спричинити травму або призвести до пошкодження майна.

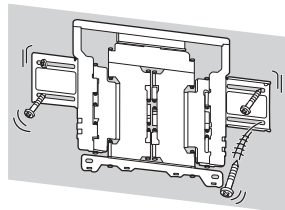


Не встановлюйте телевізор над чи під кондиціонером.

Якщо телевізор протягом тривалого часу знає впливу води, що витікає, або потоку повітря з кондиціонера, це може спричинити пожежу, ураження електричним струмом або несправності в роботі телевізора.

Надійно встановлюйте кронштейн для настінного кріплення на стіні відповідно до інструкцій у цьому посібнику з експлуатації.

Якщо гвинти слабо закріплені або випадають, кронштейн для настінного кріплення може впасти і стати причиною травмування або пошкодження майна. Гвинти мають відповідати матеріалу, яким вкрита стіна. Використовуйте тільки такі гвинти, що підходять для матеріалу стіни. Надійно встановіть пристрій за допомогою чотирьох гвинтів діаметром 8 мм (або еквівалентного розміру).



Використовуйте гвинти та допоміжні частини з комплекту постачання належним чином відповідно до інструкцій у цьому посібнику з експлуатації. Використання деталей-замінників може призвести до падіння телевізора та травмування людей чи до пошкодження телевізора.

Збирайте кронштейн належним чином, дотримуючись процедури, описаної в цьому посібнику з експлуатації.

Якщо гвинти слабо закріплені або випадають, телевізор може впасти та травмувати людей або ж телевізор може пошкодитись.

Надійно затягніть гвинти у зазначеному положенні.

Якщо це не зробити, телевізор може впасти та травмувати людей або ж телевізор може пошкодитись.

Під час монтажу слід уникати поштовхів у напрямку телевізора.

У разі поштовху телевізор може впасти або розбитися. Це може стати причиною травмування.

Встановлюйте телевізор на перпендикулярній стіні з рівною поверхнею.

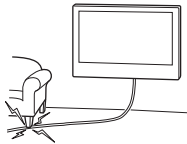
Якщо ця умова не виконується, телевізор може впасти та завдати серйозних травм.

Після монтажу телевізора зафіксуйте кабелі належним чином.

Якщо люди або об'єкти заплутаються в кабелях, це може привести до пошкодження телевізора або травмування.

Слідкуйте за тим, щоб шнур живлення змінного струму або з'єднувальний кабель не був затиснутий.

Якщо шнур живлення змінного струму або з'єднувальний кабель затиснений між виробом та стіною або зігнутий чи скручений із прикладанням сили, його внутрішні провідники можуть оголитися й спричинити коротке замикання або пробивання електричного струму. Це може призвести до пожежі або ураження електричним струмом.



Гвинти, за допомогою яких кронштейн для настінного кріплення кріпиться на стіні, не входять до комплекту постачання.

Під час монтування кронштейна для настінного кріплення використовуйте гвинти відповідно до структури стіни та матеріалу, яким вона вкрита.

Зберігайте вироби в картонній коробці, у темному, сухому, чистому приміщенні з доброю вентиляцією, окремо від місць зберігання кислот і лугів. Температура зберігання: від -20 °C до +60 °C. Вологість зберігання: < 80 %.

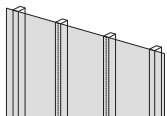
Перед початком роботи

- Зображення телевізора на ілюстраціях у цьому посібнику наведено як приклади для наочності опису операцій. Тому фактичний вигляд телевізора може відрізнятись від зображеного на цих ілюстраціях.

З якого матеріалу виготовлено стіну?

Спочатку визначте тип стіни, на якій буде встановлено телевізор.

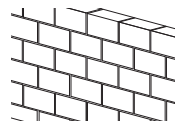
Гіпсокартон із брусами



Застережні заходи

- Максимальна товщина стіни з гіпсокартону: 16 мм.
- Мінімальні розміри внутрішнього дерев'яного бруса: 51 мм × 102 мм (звичайні розміри) або 38 мм × 89 мм (номінальні розміри).
- Мінімальний розмір між кріпленнями по горизонталі: 406 мм.

Монолітний бетон або бетонні блоки



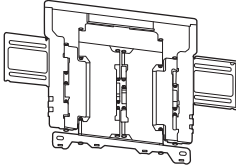



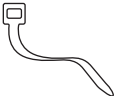
Застережні заходи

- Встановлюйте кронштейн для настінного кріплення безпосередньо на монолітній бетонній стіні.
- Мінімальна товщина монолітної бетонної стіни: 203 мм.
- Мінімальні розміри окремого бетонного блока: 203 мм × 203 мм × 406 мм.

Перевірка деталей



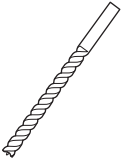
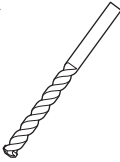
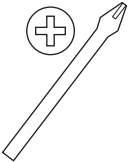
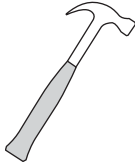
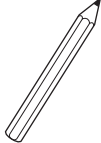

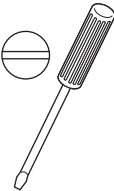




Постачається з SU-WL850

- Перевірте, чи всі деталі включено до комплекту постачання.

WM1 (×1) 	WM2 (×1) 	WM3 (×4) 
M6 (×4) 	WT1 (×6) 	

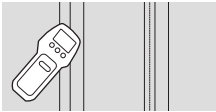
Підготовка до встановлення

- Перед встановленням уважно ознайомтесь із Довідковим посібником та Посібником із налаштування телевізора.
- Перевірте положення встановлення телевізора.
- Підготуйте чотири гвинти діаметром 8 мм та чотири підходящі шайби (не входять до комплекту постачання). Підберіть гвинти відповідно до матеріалу, яким вкрита стіна.
- Підготуйте показані нижче інструменти:

*1			 5,5 мм	 10 мм	
*2			 1,5 Н·м {15 кгс·см}	 1,5 Н·м {15 кгс·см}	
		*2  (x4)	*4  (x4) 8 мм × 60 мм	*4  (x4)	

UA

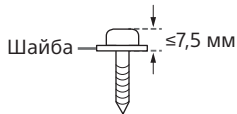
*1 Тільки для стіни з гіпсокартону з брусами



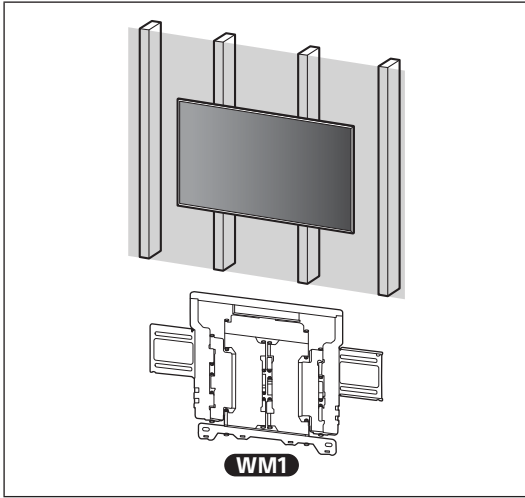
*2 Тільки для стіни з монолітного бетону чи бетонних блоків

*3 Залежно від моделей

*4 Уважно вибирайте гвинти та шайби



A Встановлення кронштейна для настінного кріплення на гіпсокартоні із брусами



Встановлення кронштейна для настінного кріплення на стіні

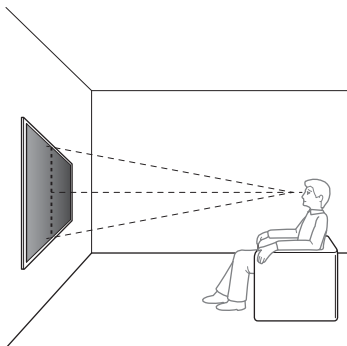
1 Визначте місце встановлення.

Переконайтеся, що стіна має достатні розміри для телевізора та в змозі витримати вагу, щонайменше в шість раз більшу за вагу телевізора.

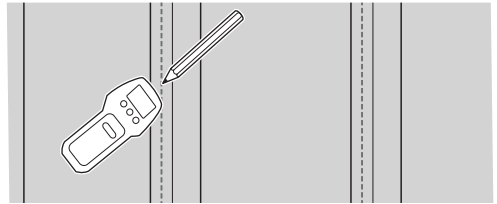
- Див. «Вимірювання для встановлення кронштейна для настінного кріплення на стіні» на стор. 19.
- Вагу телевізора можна знайти в Довідковому посібнику до телевізора.

Примітка

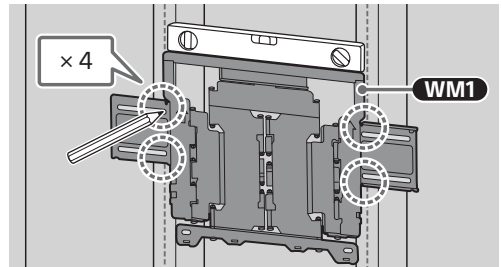
- Якщо телевізор встановлено на стіні, верхня частина телевізора буде трохи нахилена вперед.
- Обов'язково перевірте, чи зручно дивитися телевізор у вибраному місці.



2



3 Прикладіть кронштейн WM1 до стіни і зробіть чотири позначки на брусах.

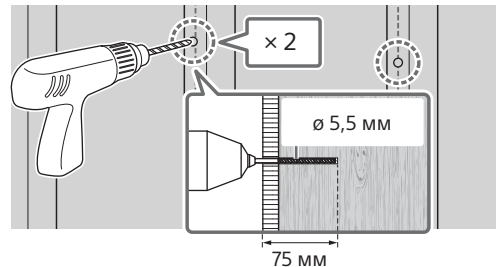


Примітка

- Скористайтесь рівнем, щоб розташувати WM1 горизонтально.

4 Просвердліть верхні напрямні отвори в позначених місцях.

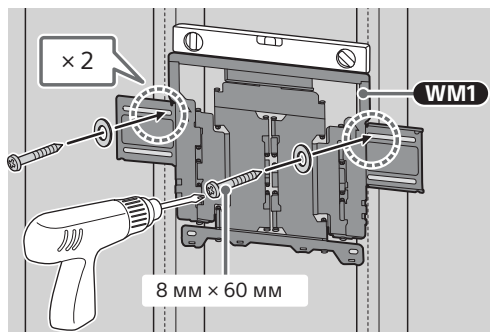
Переконайтеся, що стіна в тому місці, де буде просвердлено отвори, є достатньо міцною, щоб витримати вагу, щонайменше в шість разів більшу за вагу телевізора.



Примітка

- Глибина напрямних отворів — 75 мм, діаметр свердла — 5,5 мм.

- 5 Закріпіть кронштейн **WM1** на стіні, використовуючи підходящі гвинти (не входять до комплекту постачання) і шайби (не входять до комплекту постачання).



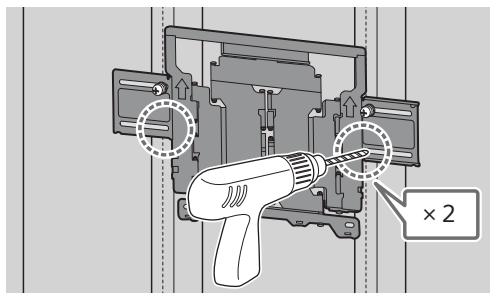
Примітка

- Скористайтесь рівнем, щоб розташувати **WM1** горизонтально.

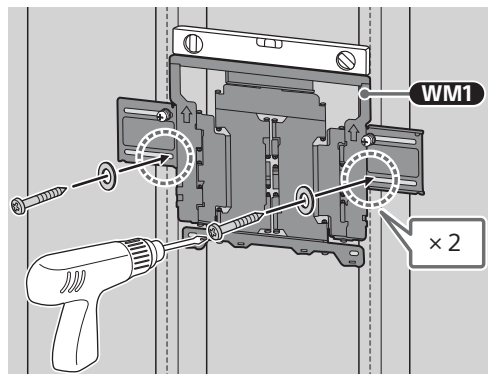
Застереження

- Не перетягуйте дерев'яний гвинт 8 мм x 60 мм. Надмірне затягування може негативно вплинути на міцність кріплення дерев'яного гвинта 8 мм x 60 мм.

- 6 Просвердліть нижні напрямні отвори в позначених місцях. (Дивіться інструкції на кроці 4.)



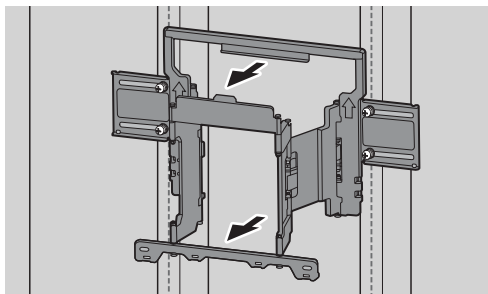
- 7 Вставте в отвори підходящі гвинти із шайбами.



Примітка

- Скористайтесь рівнем, щоб розташувати **WM1** горизонтально.

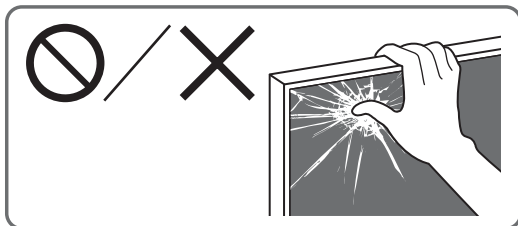
- 8 Повністю розкладіть консоль кронштейна.



Підготовка до встановлення телевізора

Примітка

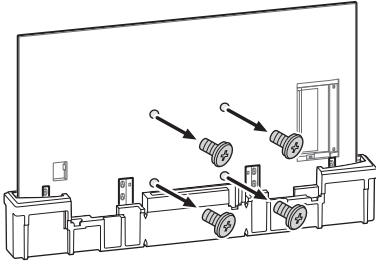
- Тримайте викручені гвинти й невикористані деталі в безпечному, недосяжному для дітей місці.



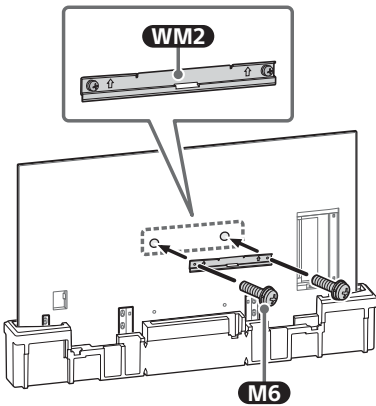
Встановлення телевізора на стіну з коробки*1

*1 Лише для обмеженого регіону/країни/моделі.

- 1 Викрутіть гвинти із задньої панелі телевізора.

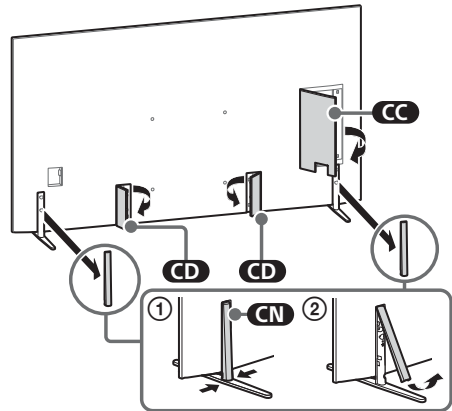


- 2 Прикріпіть кронштейн **WM2** до телевізора за допомогою гвинтів **M6**.

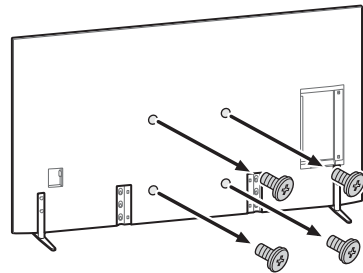


Встановлення телевізора на стіну з настільної підпори

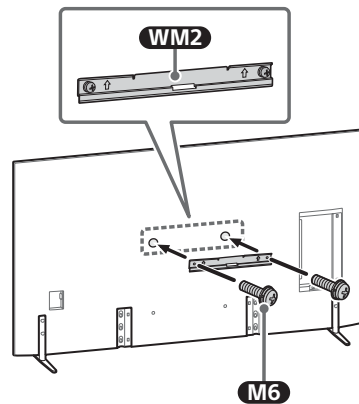
- 1 Зніміть кришки з підпори та кришки контактів.



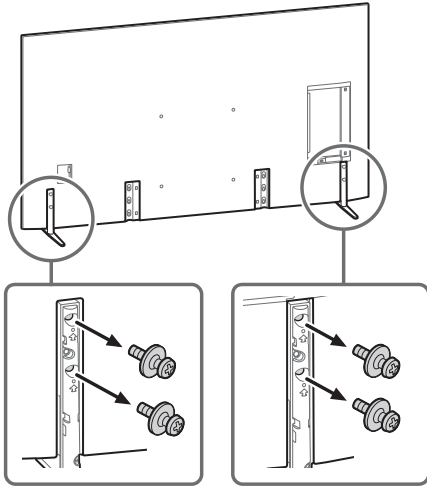
- 2 Викрутіть гвинти із задньої панелі телевізора.



- 3 Прикріпіть кронштейн **WM2** до телевізора за допомогою гвинтів **M6**.



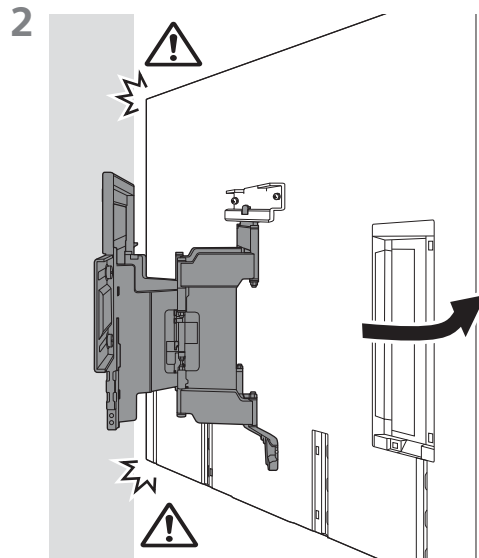
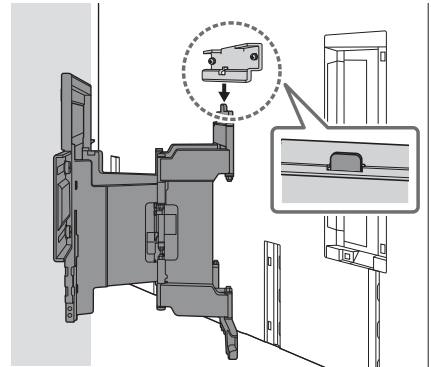
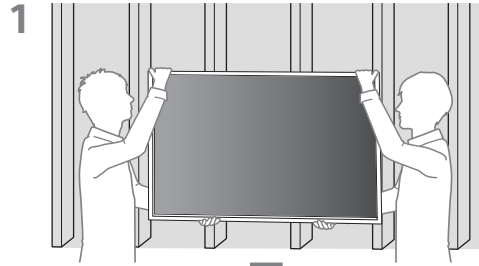
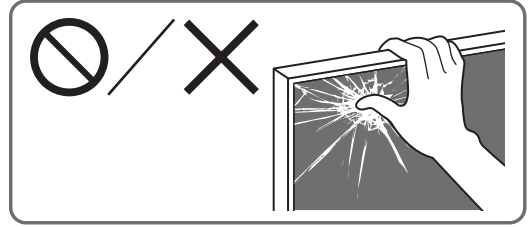
4 Від'єднайте настільну підпору від телевізора.



Примітка

- Піднімайте телевізор обережно, оскільки від'єднана настільна підпора може перекинутися та спричинити травми людей.
- Будьте вкрай обережними, коли знімаєте настільну підпору з телевізора. Якщо підпора впаде, вона може пошкодити поверхню, на якій тримається телевізор.

Установлення телевізора на стіні

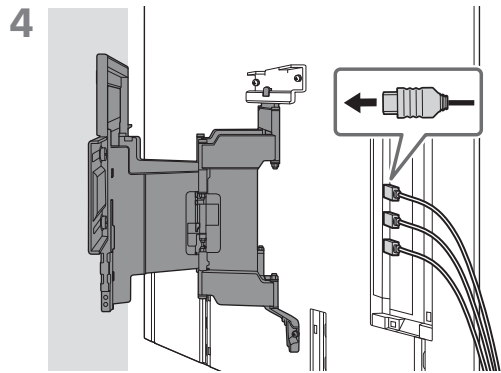
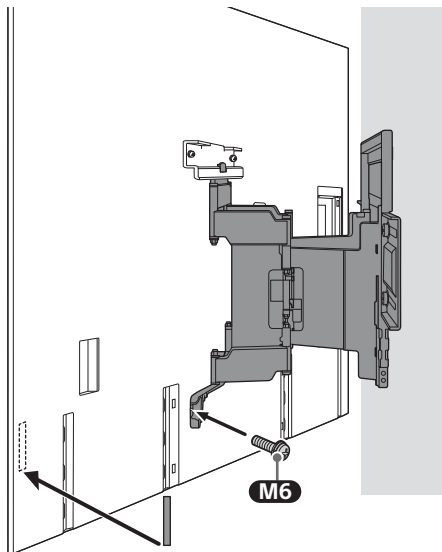
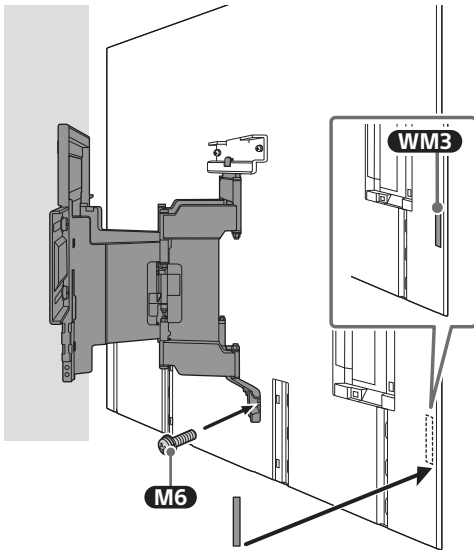


UA

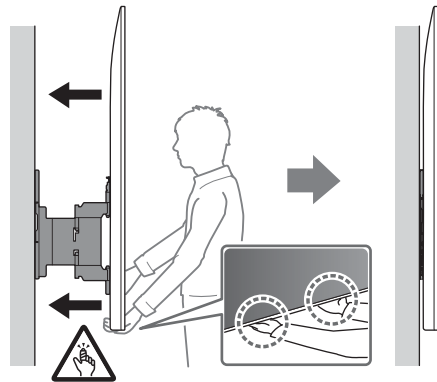
3 Прикрутіть ліву та праву частину кронштейна для настінного кріплення за допомогою **M6** і прикріпіть **WM3**.

Примітка

- Не прикріплюйте **WM3** на етикетках.

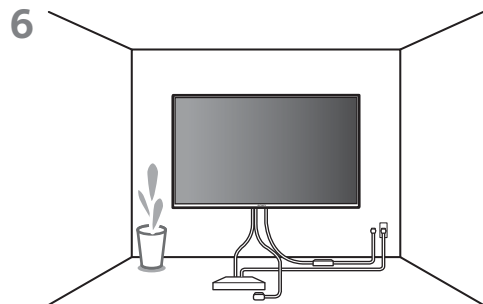


5 Переміщуючи телевізор, міцно тримайте його знизу.



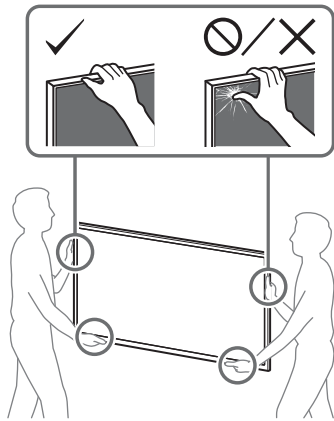
Примітка

- В залежності від типу і кількості під'єднаних кабелів можливо, що телевізор не можна буде присунути ближче до стіни. Не слід розглядати це як проблему.



ЗАСТЕРЕЖЕННЯ

- Для перенесення великого телевізора потрібно двоє або більше осіб (троє або більше осіб для телевізора з діагоналлю 189,3 см (75 дюймів) або більшою) (крім Єгипту).
Для перенесення великого телевізора потрібно двоє або більше осіб (троє або більше осіб для телевізора з діагоналлю 75 дюймів (189,3 см) або більшою) (тільки для Єгипту).



Перевірка після завершення встановлення

Перевірте зазначені нижче пункти.

- Шнур і кабель не перекручені й не затиснені.

ЗАСТЕРЕЖЕННЯ

- Неправильне розміщення шнура живлення змінного струму тощо може стати причиною пожежі або ураження електричним струмом унаслідок короткого замикання. З метою безпеки обов'язково перевірте все після завершення встановлення.

Інші відомості

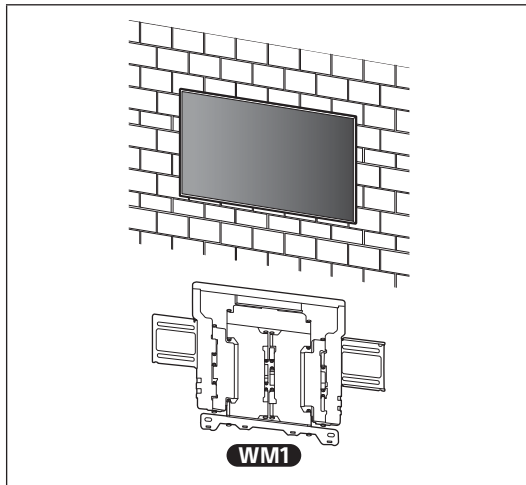
Під час знімання телевізора дотримуйтеся вказаної процедури встановлення у зворотному порядку.

ЗАСТЕРЕЖЕННЯ

- Для перенесення великого телевізора потрібно двоє або більше осіб (троє або більше осіб для телевізора з діагоналлю 189,3 см (75 дюймів) або більшою) (крім Єгипту).

Для перенесення великого телевізора потрібно двоє або більше осіб (троє або більше осіб для телевізора з діагоналлю 75 дюймів (189,3 см) або більшою) (тільки для Єгипту).

В Встановлення кронштейна для настінного кріплення на стіні з монолітного бетону або бетонних блоків



UA

Встановлення кронштейна для настінного кріплення на стіні

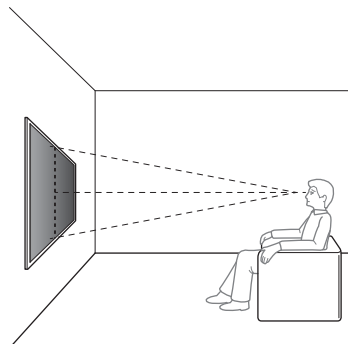
1 Визначте місце встановлення.

Переконайтеся, що стіна має достатні розміри для телевізора та в змозі витримати вагу, щонайменше в шість раз більшу за вагу телевізора.

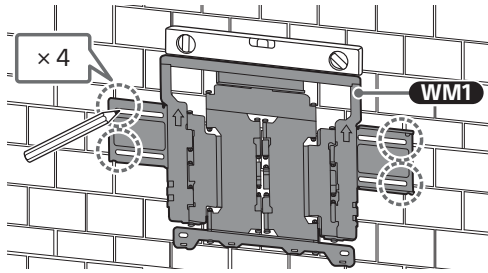
- Див. «Вимірювання для встановлення кронштейна для настінного кріплення на стіні» на стор. 19.
- Вагу телевізора можна знайти в Довідковому посібнику до телевізора.

Примітка

- Якщо телевізор встановлено на стіні, верхня частина телевізора буде трохи нахилена вперед.
- Обов'язково перевірте, чи зручно дивитися телевізор у вибраному місці.



- 2 Прикладіть **WM1** до стіни та зробіть чотири позначки.

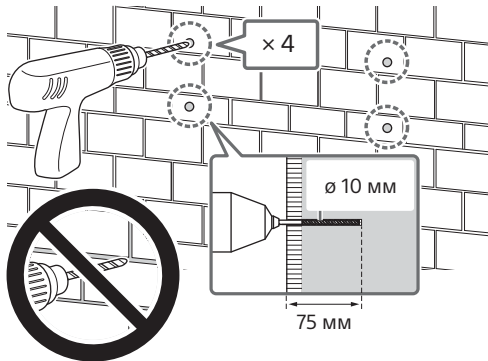


Примітка

- Скористайтеся рівнем, щоб розташувати **WM1** горизонтально.

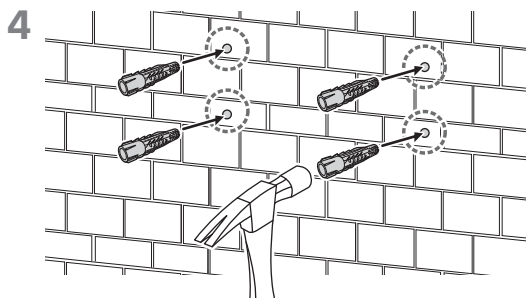
- 3 Просвердліть напрямні отвори в позначених місцях.

Переконайтеся, що стіна в тому місці, де буде просвердлено отвори, є достатньо міцною, щоб витримати вагу, щонайменше в шість разів більшу за вагу телевізора.

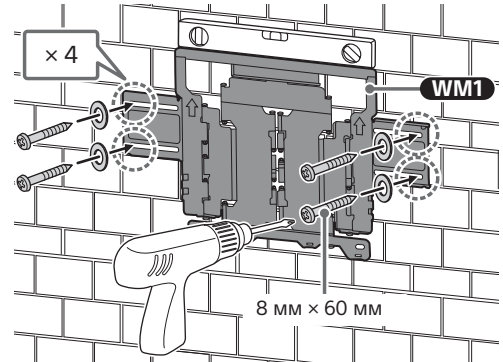


Примітка

- Глибина напрямних отворів — 75 мм, діаметр свердла — 10 мм.



- 5 Закріпіть кронштейн **WM1** на стіні, використовуючи підходящі гвинти (не входять до комплекту постачання) і шайби (не входять до комплекту постачання).



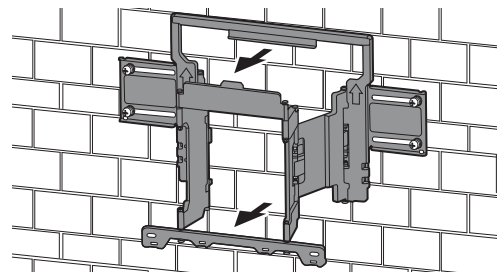
Примітка

- Скористайтеся рівнем, щоб розташувати **WM1** горизонтально.

Застереження

- Не перетягуйте дерев'яний гвинт 8 мм x 60 мм. Надмірне затягування може негативно вплинути на міцність кріплення дерев'яного гвинта 8 мм x 60 мм.

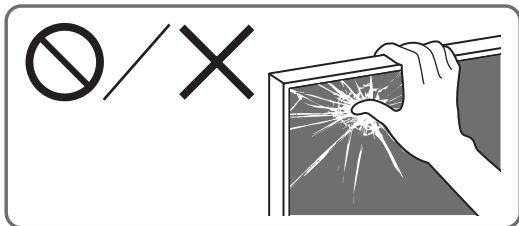
- 6 Повністю розкладіть консоль кронштейна.



Підготовка до встановлення телевізора

Примітка

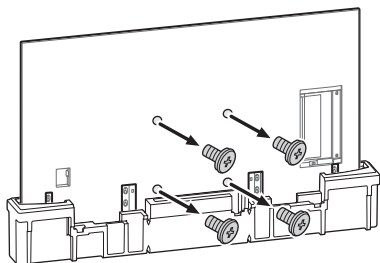
- Тримайте викручені гвинти й невикористані деталі в безпечному, недосяжному для дітей місці.



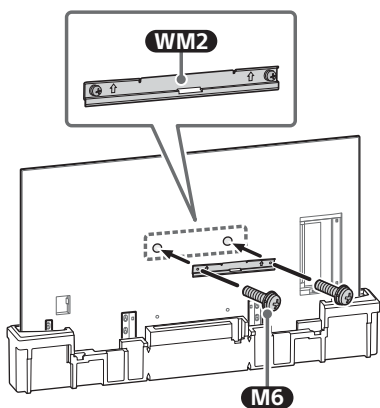
Встановлення телевізора на стіну з коробки*1

*1 Лише для обмеженого регіону/країни/моделі.

- 1 Викрутіть гвинти із задньої панелі телевізора.

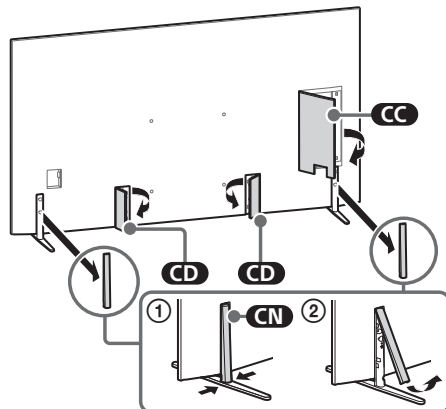


- 2 Прикріпіть кронштейн **WM2** до телевізора за допомогою гвинтів **M6**.

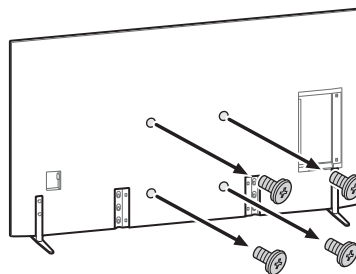


Встановлення телевізора на стіну з настільної підпори

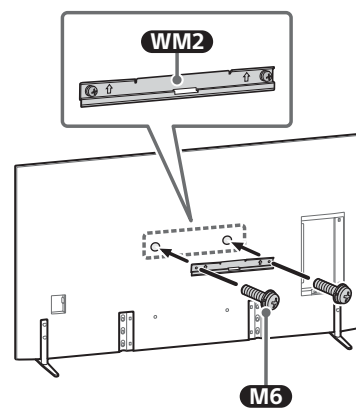
- 1 Зніміть кришки з підпори та кришки контактів.



- 2 Викрутіть гвинти із задньої панелі телевізора.

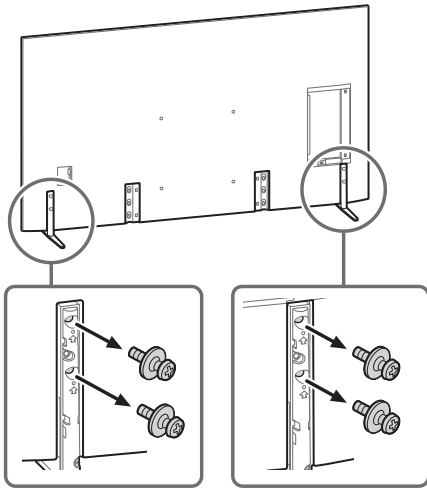


- 3 Прикріпіть кронштейн **WM2** до телевізора за допомогою гвинтів **M6**.



UA

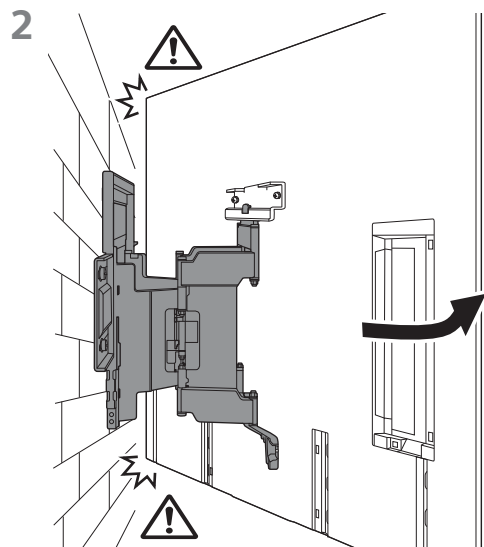
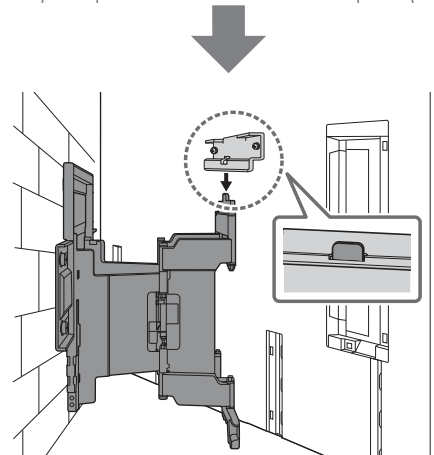
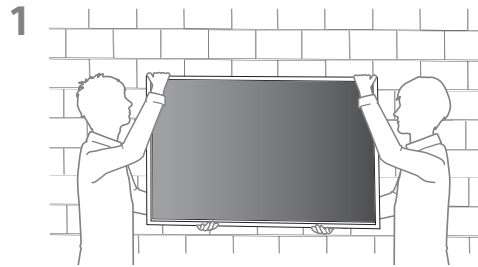
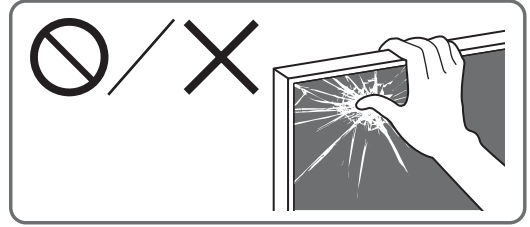
4 Від'єднайте настільну підпору від телевізора.



Примітка

- Піднімайте телевізор обережно, оскільки від'єднана настільна підпора може перекинутися та спричинити травми людей.
- Будьте вкрай обережними, коли знімаєте настільну підпору з телевізора. Якщо підпора впаде, вона може пошкодити поверхню, на якій тримається телевізор.

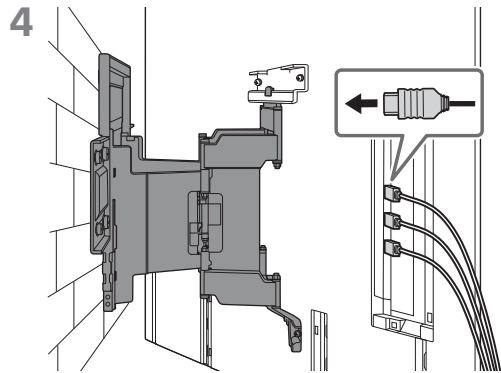
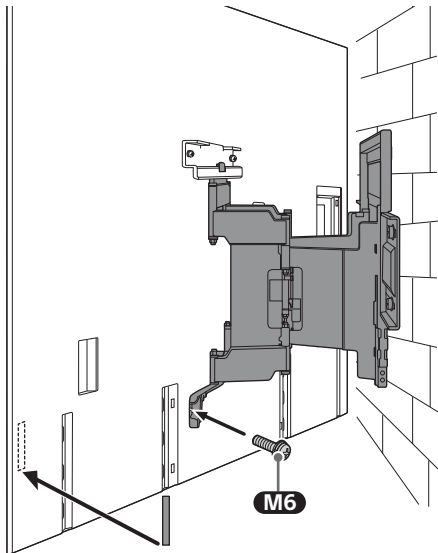
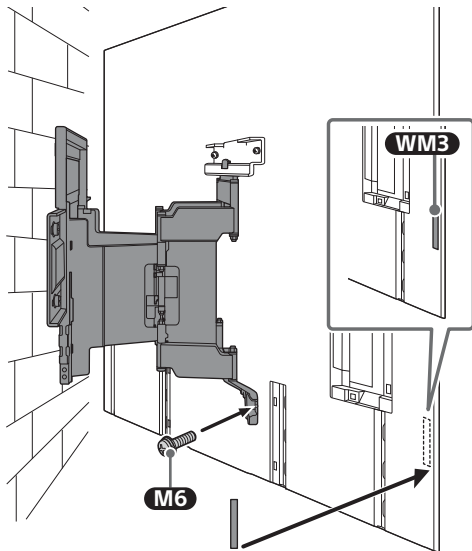
Установлення телевізора на стіні



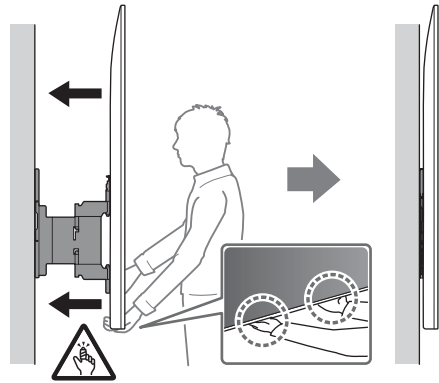
3 Прикрутіть ліву та праву частину кронштейна для настінного кріплення за допомогою **M6** і прикріпіть **WM3**.

Примітка

- Не прикріплюйте **WM3** на етикетках.

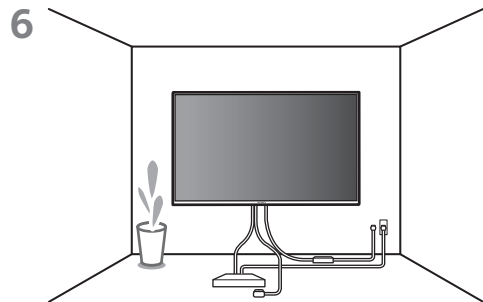


5 Переміщуючи телевізор, міцно тримайте його знизу.



Примітка

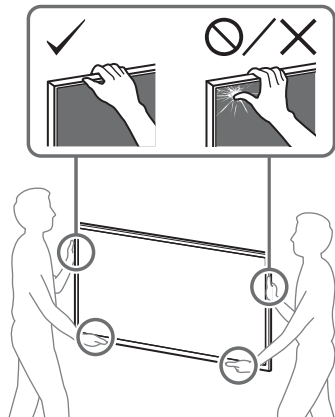
- В залежності від типу і кількості під'єднаних кабелів можливо, що телевізор не можна буде присунути ближче до стіни. Не слід розглядати це як проблему.



ЗАСТЕРЕЖЕННЯ

- Для перенесення великого телевізора потрібно двоє або більше осіб (троє або більше осіб для телевізора з діагоналлю 189,3 см (75 дюймів) або більшою) (крім Єгипту).

Для перенесення великого телевізора потрібно двоє або більше осіб (троє або більше осіб для телевізора з діагоналлю 75 дюймів (189,3 см) або більшою) (тільки для Єгипту).



Перевірка після завершення встановлення

Перевірте зазначені нижче пункти.

- Шнур і кабель не перекручені й не затиснені.

ЗАСТЕРЕЖЕННЯ

- Неправильне розміщення шнура живлення змінного струму тощо може стати причиною пожежі або ураження електричним струмом унаслідок короткого замикання. З метою безпеки обов'язково перевірте все після завершення встановлення.

Інші відомості

Під час знімання телевізора дотримуйтеся вказаної процедури встановлення у зворотному порядку.

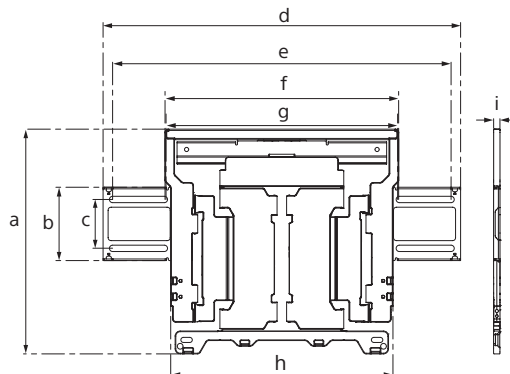
ЗАСТЕРЕЖЕННЯ

- Для перенесення великого телевізора потрібно двоє або більше осіб (троє або більше осіб для телевізора з діагоналлю 189,3 см (75 дюймів) або більшою) (крім Єгипту).

Для перенесення великого телевізора потрібно двоє або більше осіб (троє або більше осіб для телевізора з діагоналлю 75 дюймів (189,3 см) або більшою) (тільки для Єгипту).

Технічні характеристики

WM1



Розміри: (прибл.) [мм]

a : 354
b : 116
c : 77
d : 563
e : 533
f : 370
g : 368
h : 350
i : 11

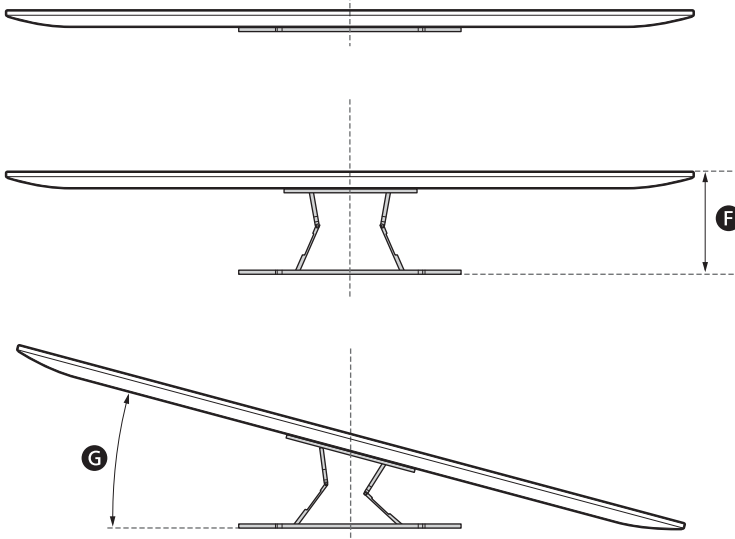
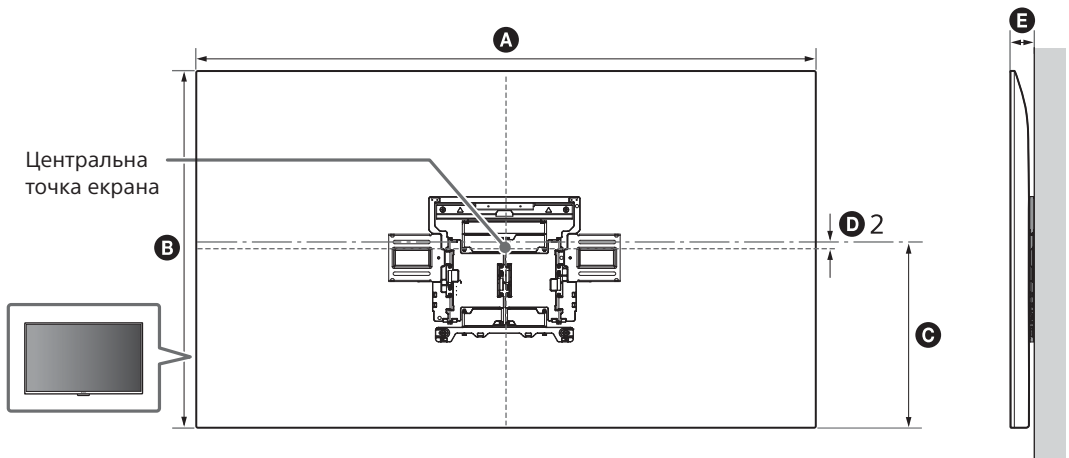
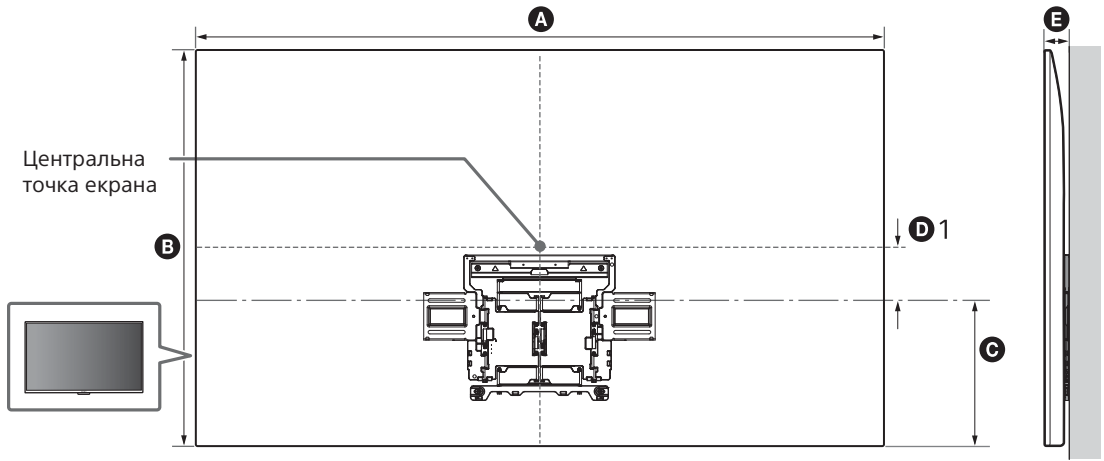
Вага (тільки база): (прибл.) [кг]

3,0

Конструкція та технічні характеристики можуть бути змінені без попередження.

Довідкові матеріали

Вимірювання для встановлення кронштейна для настінного кріплення на стіні
Цифри в наведеній таблиці можуть дещо відрізнятись в залежності від монтажу.



UA

(мм)

Назва моделі	A	B	C	D 1	D 2	E	F ^{*1}	G ^{*1} (°)
K-77XR8x	1 713	984	362	139	-	48	251,4	12
K-65XR8x	1 442	829	362	57	-	48	250,8	17
K-55XR8x	1 223	706	362	-	3	48	250,8	19

*1 (Прибл.)

Paigaldusteave Sony seinale paigaldamise kinnituse (SU-WL850) kasutamise kohta

Toetatud mudelid*1:

*1 Tegelikud mudelite nimedes tähendab „x”/„xx” numbreid ja/või märke, mis on omased igale mudelile.

K-77XR8x / 65XR8x / 55XR8x

Klientidele

Toote kaitsmiseks ja ohutuse tagamiseks soovib Sony tungivalt, et teleri paigaldaks Sony edasimüüja või litsentseeritud töövõtja. Ärge proovige seda ise paigaldada.

Sony edasimüüjatele ja töövõtjatele

Pöörake selle toote paigaldamisel, regulaarsel hooldamisel ja kontrollimisel täielikult tähelepanu ohutusele.

Selle toote paigaldamiseks on vajalik piisav kogemus, eriti teleri raskusele vastupidava seina tugevuse välja selgitamiseks. Laske see toode kinnitada seinale Sony edasimüüjal või litsentseeritud töövõtjal ja pöörake paigaldamisel piisavalt tähelepanu ohutusele. Sony ei vastuta kahjustuste ega vigastuste eest, mille on põhjustanud sobimatu käsitlemine või vale paigaldamine.

Ohutuse tagamiseks ja õigeks paigaldamiseks järgige seinale paigaldamise kinnituse kasutusjuhendit, teleri seadistusjuhendit ja selle juhendi juhiseid.

Seinale paigaldamise kinnitus

Ohutusest

Täname teid selle toote soetamise eest.

Klientidele

Teleri paigaldamine seinale



HOIATUS

NÕUTAV ON ASJATUNDLIK PAIGALDUS!

Seda toodet tohib paigaldada vaid professionaalne paigaldaja, kelle väljaõpe võimaldab hinnata, kas sein on teleri kaalu jaoks piisavalt tugev. Kui seda ei fikseerita paigaldamisel nõuetekohaselt, võib teler kukkuda ja põhjustada raskeid vigastusi. Sony ei ole vastutav mis tahes kahjustuste või vigastuste eest, mis on tingitud nõuetele mittevastavast käsitsemisest või paigaldamisest või ettenähtust erineva toote paigaldamisest. See ei mõjuta teie seadusejärgseid õigusi (kui neid on).

Sony edasimüüjatele

Käesoleva toote paigaldamine eeldab piisavat asjatundlikkust. Lugege käesolev kasutusjuhend hoolikalt läbi, et tagada ohutu paigaldus. Sony ei vastuta kahjustuste või vigastuste eest, mis on tingitud toote valest kasutamisest või ebakorrektsest paigaldusest. Andke see juhend pärast paigalduse lõpetamist kliendile.

Käesolev kasutusjuhend tutvustab toote õiget kasutamist ja olulisi ettevaatusabinõusid õnnetuste vältimiseks. Teie kohus on lugeda hoolikalt kõiki selles kasutusjuhendis sisalduvaid suuniseid, teha need endale selgeks ning neid järgida. Selle juhise eiramisega võivad kaasnedä rasked kehavigastused või varakahju ning see võib tühistada garantii. Säilitage juhend edaspidiseks kasutamiseks.

Sony toodete loomisel on lähtutud ohutusest. Toodete vale kasutamine võib tekitada tõsiseid vigastusi tulekahju, elektrilöögi, toote ümberminemise või kukkumise tagajärjel. Nimetatud õnnetuste vältimiseks tuleb järgida ohutusabinõusid.

ETTEVAATUST

Sobivad tooted

See seinale paigaldamise kinnitus on mõeldud kasutamiseks koos kindlate telerite. Telerite puhul vaadake nende teatmikku, et kontrollida, kas seinale paigaldamise kinnitust saab nendega kasutada.

Klientidele

HOIATUS

Järgmiste ettevaatusabinõude eiramine võib põhjustada tõsiseid vigastusi või surma tulekahju, elektrilöögi, toote ümberminemise või kukkumise tagajärjel.

Laske paigaldamine teostada litsentsitud töövõtjatel ja hoidke väikesed lapsed paigaldustöödest eemale.

Seinale paigaldamise kinnituse või teleri vale paigaldamine võib põhjustada järgmisi õnnetusi. Laske paigaldus teostada litsentsitud töövõtjatel.

- Teler võib kukkuda ja tekitada tõsise vigastuse, nt verevalum või luumurd.
- Kui seinale paigaldamise kinnitus paigaldatakse ebastabiilsele, ebatasasele või pörandaga mittevertikaalsele seinale, võib seade kukkuda ja tekitada vigastusi või varalist kahju. Seinä kandevõime peab olema teleri kaalust vähemalt kuus korda suurem. (Vaadake teleri teatmikust selle raskust.)
- Kui seinale paigaldamise kinnitus ei ole paigaldatud piisavalt tugevalt, võib seade kukkuda ja tekitada vigastusi või varalist kahju.

Laske teleri liigutamist või eemaldamist teostada litsentsitud töövõtjatel.

Kui telerit transportivad või eemaldavad seinalt mittelitsentsitud töövõtjad, võib teler kukkuda ja tekitada vigastusi või varalist kahju. Suure teleri transportimiseks on vaja vähemalt kahte inimest (189,3 cm (75 tolli) ja suurema teleri korral vähemalt kolme inimest) (v.a Egiptus). Suure teleri transportimiseks on vaja vähemalt kahte inimest (75 tolli (189,3 cm) ja suurema teleri korral vähemalt kolme inimest) (ainult Egiptus).

Ärge eemaldage pärast teleri paigaldamist kruvisid vms.

Seda tehes võib teler kukkuda ja tekitada vigastusi või varalist kahju.

Ärge tehke seinale paigaldamise kinnituse osadele muudatusi.

Seda tehes võib seinale paigaldamise kinnitus kukkuda ja tekitada vigastusi või varalist kahju.

Paigaldage seinakinnitusele ainult selleks ettenähtud tooteid.

See seinale paigaldamise kinnitus on mõeldud kasutamiseks ainult kindlate toodetega. Muude seadmete paigaldamisel võib seinakinnitus kukkuda või purnuda ja tekitada vigastusi või varalist kahju.

Ärge asetage seinale paigaldamise kinnitusele telerist suuremat koormust. Ärge raputage telerit vasakule/paremale ega üles/alla.

Seda tehes võib teler kukkuda ja tekitada vigastusi või varalist kahju.

Ärge toetuge telerile või rippuge selle küljes.

Ärge toetuge telerile või rippuge selle küljes, kuna see võib teile peale kukkuda ja tekitada tõsise vigastuse.

ETTEVAATUST

Järgmiste ettevaatusabinõude eiramine võib tekitada vigastusi või varalist kahju.

- Olge ettevaatlik, et sõrmed ei jääks seinale paigaldamise kinnituse käsitsemisel või teleri pööramisel kuhugi vahele.
- Telerikomplekti pööramisel olge ettevaatlik ja jälgige, et te ei lööks vastu lähedalolevaid inimesi.
- Pange kasutamata jäänud osad edasiseks kasutamiseks kindlasti turvalisse kohta hoiule.

Hoidke lastele kättesaamatus kohas.

Ärge rakendage toote puhastamisel või hooldamisel liigset jõudu.

Ärge rakendage teleri pealmisele küljele liigset jõudu. Seda tehes võib teler kukkuda ja tekitada vigastusi või varalist kahju.

Ärge asetage toodet meditsiiniseadmete lähedusse.

Toode ja selle tarvikud sisaldavad magnetid, mis võivad häirida südamerütmureid, vesipea raviks kasutatavaid programmitavaid šuntklappe või muid meditsiiniseadmeid. Ärge asetage toodet sääraseid meditsiiniseadmeid kasutavate isikute lähedusse. Kui kasutate mõnda sellist meditsiiniseadet, pidage enne selle toote kasutamist nõu oma arstiga.

Hoidke toodet lastele ja järelevalvet vajavatele täiskasvanutele kättesaamatus kohas.

Toode ja selle tarvikud sisaldavad magneteid, mille allaneelamine võib põhjustada raskeid kehavigastusi (lämbumisoht või soolestiku vigastused). Magneti allaneelamise korral pidage viivitamatult nõu arstiga.

Ettevaatusabinõud

- Teleri pikaajalisel kasutamisel seinale paigaldamise kinnitusele paigaldatuna võib teleri taga või selle kohal olev sein värvi muuta või tapeet lahti tulla, olenevalt sein materjalist.
- Seinale paigaldamise kinnituse seinalt eemaldamisel pärast selle paigaldamist jäävad alles kruviaugud.
- Ärge kasutage seinale paigaldamise kinnitust kohas, kus see puutub kokku mehaaniliste vibratsioonidega.

Seinale paigaldamise kinnituse paigaldamine

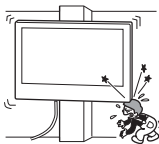
Sony edasimüüjatele

HOIATUS

Järgmised suunised on mõeldud ainult Sony edasimüüjatele. Lugege läbi eelnevalt kirjeldatud ohutusabinõud ja pöörake toote paigaldamisel, hooldamisel ja kontrollimisel erilist tähelepanu ohutusele.

Ärge paigaldage seinale paigaldamise kinnitust seinale, kus teleri nurgad või küljed eenduvad seinast.

Ärge paigaldage seinale paigaldamise kinnitust seinale, nt piilarile, kus teleri nurgad või küljed eenduvad seinast. Teleri eenduva nurga või külje vastu põrkumine võib tekitada vigastusi või varalist kahju.

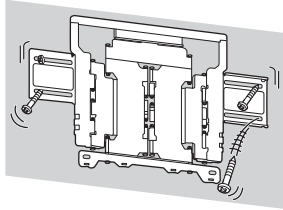


Ärge paigaldage telerit õhukonditsioneeriga alla või selle kohale.

Teleri pikaajaline kokkupuude õhukonditsioneerist tuleva õhuvoolu või sellest lekkiva veega võib tekitada tulekahju või elektrilöögi või põhjustada teleri rikke.

Paigaldage seinale paigaldamise kinnitust tugevalt seinale, järgides käesoleva kasutusjuhendi suuniseid.

Kui mõni kruvi on halvasti kinnitatud või kukub välja, võib seinale paigaldamise kinnitust kukkuda ja tekitada vigastusi või varalist kahju. Kasutage sein materjalile sobivaid kruvisid ja paigaldage seade tugevalt, kasutades nelja 8 mm (või samaväärtse) läbimõõduga kruvi.



Veenduge, et kasutate kaasolevaid kruvisid ja kinnitusdetalle õigesti vastavalt käesoleva kasutusjuhendi suunistele. Kinnitusvahendite asendamisel võib teler kukkuda ja põhjustada kellelegi kehavigastuse või teleri kahjustusi.

Pange seinakinnitus õigesti kokku vastavalt käesoleva kasutusjuhendi suunistele.

Kui mõni kruvi on halvasti kinnitatud või kukub välja, võib teler kukkuda ja tekitada vigastusi või kahjustada telerit.

Keerake kruvid tugevalt kinni ettenähtud kohtades.

Vastasel korral võib teler kukkuda ja põhjustada kellelegi kehavigastuse või teleri kahjustusi.

Veenduge, et teler ei saaks paigaldamise ajal pörutada.

Pörutuste korral võib teler kukkuda või puruneda. See võib tekitada vigastuse.

Paigaldage teler vertikaalsele ja siledale seinale.

Vastasel korral võib teler kukkuda ja tekitada vigastuse.

Pärast teleri nõuetekohast paigaldamist veenduge, et kaablid on paigaldatud ohutult.

Kaablitese takerdumine võib tekitada vigastuse või kahjustada telerit.

Vältige vahelduvvoolu toitekaabli või ühenduskaabli muljumist.

Kui vahelduvvoolu toitekaabel või ühenduskaabel on seinakinnituse ja teleri vahele surutud või neid on jõuga väänatud, võivad kaablisisesed elektrijuhtmed tekitada lühise või põhjustada elektrikatkestuse. See võib põhjustada tulekahju või elektrilöögi.



Seinale paigaldamise kinnituse seinale kinnitamiseks ettenähtud kruvid ei kuulu komplekti.

Kasutage seinale paigaldamise kinnituse paigaldamisel sein materjalile ja konstruktsioonile vastavaid kruvisid.

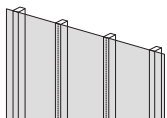
Enne alustamist

- Käesolevas juhendis olevad teleri illustratsioonid on näited, mida kasutatakse töö selgitamiseks. Seetõttu võivad illustratsioonid teie tegelikust telerist erineda.

Millest teie sein tehtud on?

Esiteks kontrollige seina tüüpi, millele kavatsete teleri paigutada.

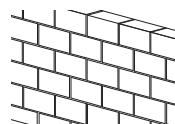
Karkassiga kipssein



Ettevaatusabinõud

- Maksimaalne kipsseina paksus: 16 mm.
- Veenduge, et sisemise puittala suurus oleks vähemalt 51 mm × 102 mm (tavaline) või 38 mm × 89 mm (nimiväärtus).
- Hoidke kinnitusdetailide vahel vähemalt 406 mm laiune vahe.

Kõva betoon või betoonplokk



Ettevaatusabinõud

- Paigaldage seinalle paigaldamise kinnitus otse kõva betoonseina peale.
- Veenduge, et betoonseina paksus oleks vähemalt 203 mm.
- Veenduge, et iga betoonploki suurus oleks vähemalt 203 mm × 203 mm × 406 mm.

EE

Osade kontroll



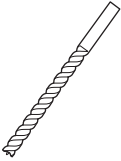
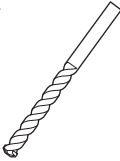
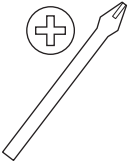
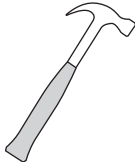
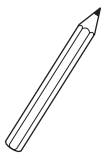

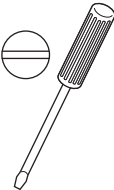
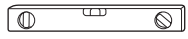



Komplektis SU-WL850-ga

- Veenduge, et kõik osad on olemas.

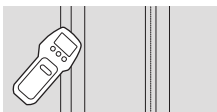
WM1 (x1) 	WM2 (x1) 	WM3 (x4)
M6 (x4) 	WT1 (x6) 	

Ettevalmistus

- Enne paigaldamist otsige välja ja hoidke käepärast teleri teatmik ja seadistusjuhend.
- Määrake kindlaks teleri paigalduskoht.
- Valmistage ette neli 8 mm läbimõõduga kruvi ja neli korralikku seibi (pole komplektis). Valige seinamaterjaliga sobivad kruvid.
- Valmistage ette järgmised tööriistad:

*1 		 5,5 mm	 10 mm	
*2 		 1,5 N·m {15 kgf·cm}	*3  1,5 N·m {15 kgf·cm}	
	*2  (x4)	*4  (x4) 8 mm × 60 mm	*4  (x4)	

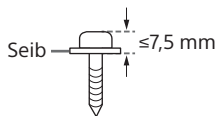
*1 Ainult karkassiga kipsseinale



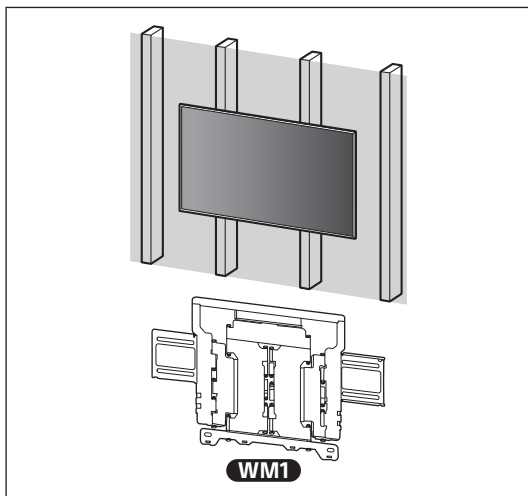
*2 Ainult kõvale betoonile või betoonplokkile

*3 Olenevalt mudelist

*4 Olge kruvide ja seibide valimisel tähelepanelik



A Seinale paigaldamise kinnituse kinnitamine karkassiga kipsseinale



Seinale paigaldamise kinnituse paigaldamine seinale

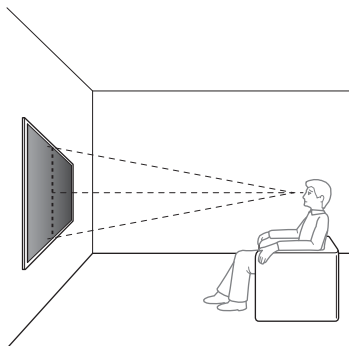
1 Tehke kindlaks paigalduskoht.

Veenduge, et seinal oleks teleri jaoks piisavalt ruumi ja see suudaks kanda vähemalt kuuekordset teleri raskust.

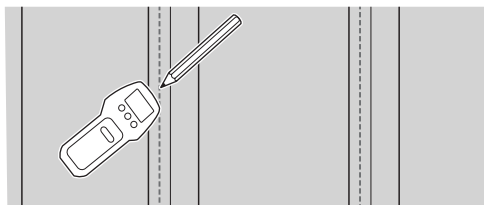
- Vt jaotist „Seinale paigaldamise kinnituse seinale paigaldamise mõttmed“ lk 17.
- Vaadake teleri raskust oma teleri teatmikust.

Märkus.

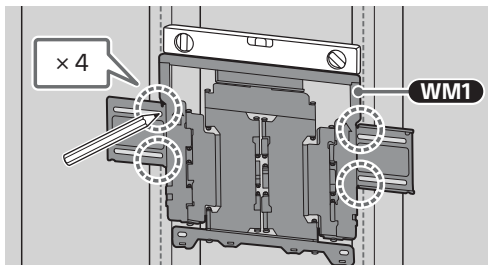
- Kui teler on seinale paigaldatud, kaldub teleri ülemine osa vähesel määral ettepoole.
- Soovitame teleri paigutust kontrollida selle vaatamiskohast.



2



3 Joondage WM1 seina külge ja tehke neli taladega joondatud märki.

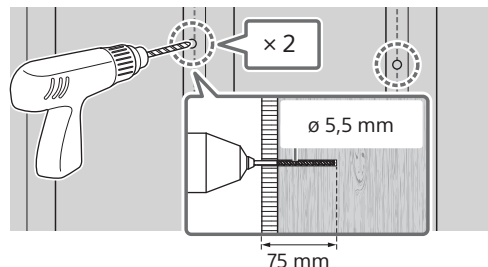


Märkus.

- Kontrollige loodi abil, kas WM1 on loodis.

4 Puurige märkidele ülemised juhtaugud.

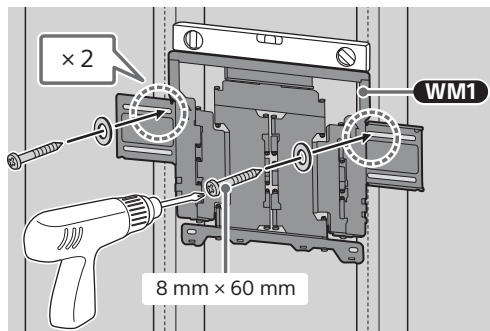
Veenduge, et seina puuritavate aukude asukoht oleks piisavalt tugev, et kanda vähemalt kuuekordset teleri raskust.



Märkus.

- Juhtaugud tuleb puurida 75 mm sügavusele, kasutades 5,5 mm läbimõõduga puuriotsakut.

- 5 Kasutage **WM1** seinale paigaldamiseks sobivaid kruvisid (pole komplektis) ja seibe (pole komplektis).



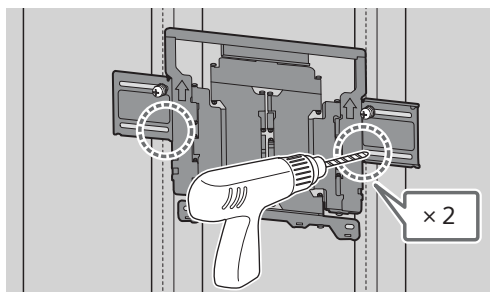
Märkus.

- Kontrollige loodi abil, kas **WM1** on loodis.

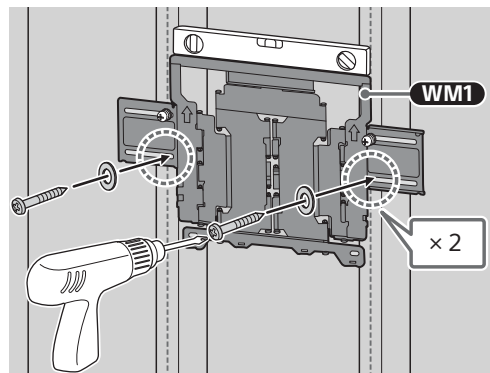
Ettevaatust!

- Ärge pingutage üleliia puidust kruvisid 8 mm x 60 mm. Vale pingutamine võib vähendada puidust kruvide 8 mm x 60 mm hoidejõudu.

- 6 Puurige märkidele alumised juhtaugud. (Puurimisjuhiste saamiseks pöörduge punkti 4.)



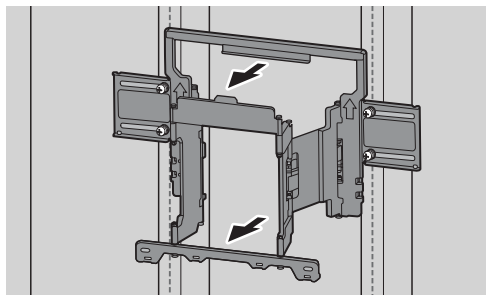
- 7 Paigaldage aukudesse sobivad kruvid ja seibid.



Märkus.

- Kontrollige loodi abil, kas **WM1** on loodis.

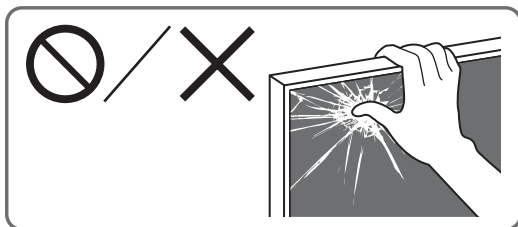
- 8 Tõmmake raami tugi lõpuni välja.



Ettevalmistus teleri paigaldamiseks

Märkus.

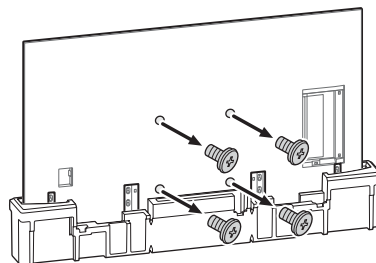
- Hoidke eemaldatud kruvisid ja kasutamata osasid kindlas lastele kättesaamatus kohas.



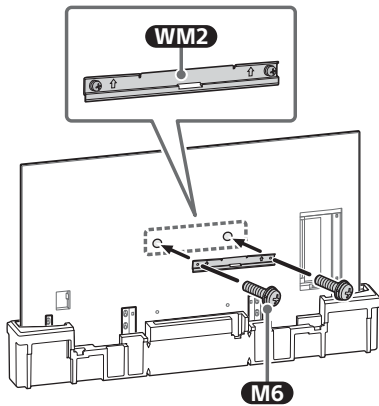
Teleri paigaldamine otse karbist seinale*1

- *1 Ainult teatud piirkondade/riikide/mudelite jaoks.

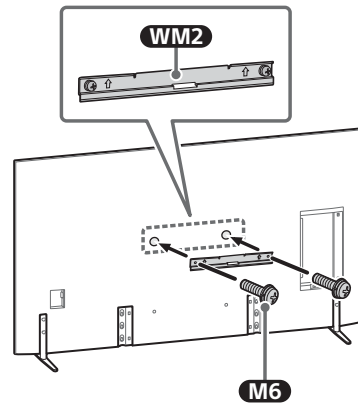
- 1 Eemaldage teleri tagaküljelt kruvid.



2 Kinnitage **WM2** teleri külge, kasutades **M6**.

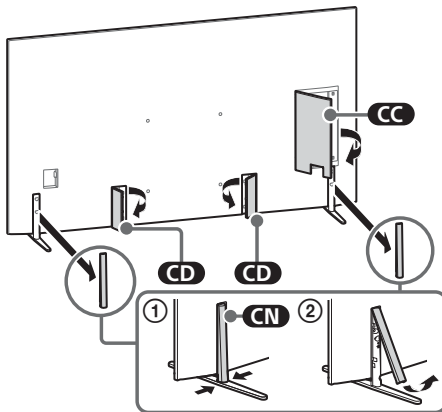


3 Kinnitage **WM2** teleri külge, kasutades **M6**.

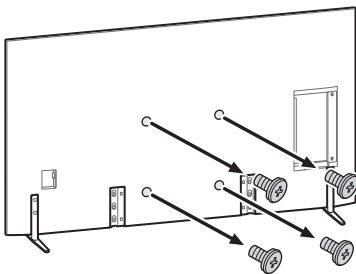


Teleri paigaldamine lauapealselt aluselt seinal

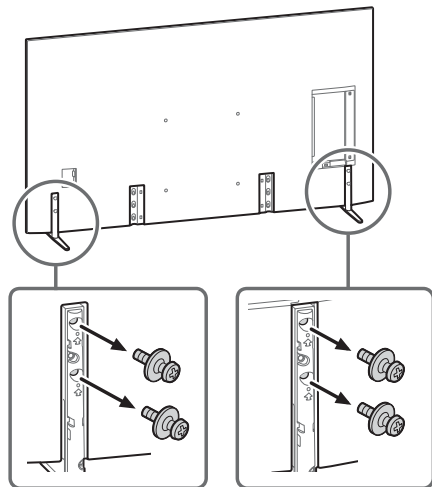
1 Eemaldage aluse katted ja klemmide katted.



2 Eemaldage teleri tagaküljelt kruvid.



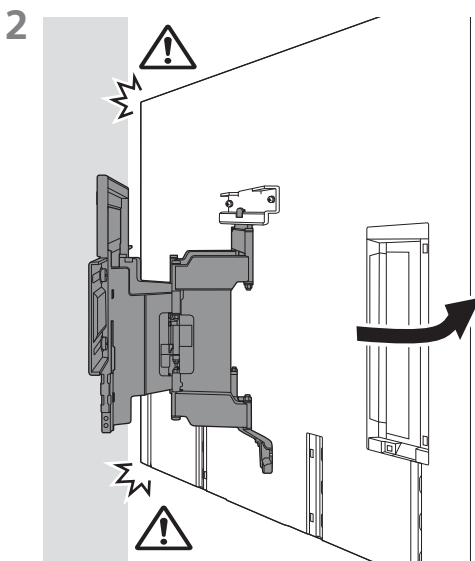
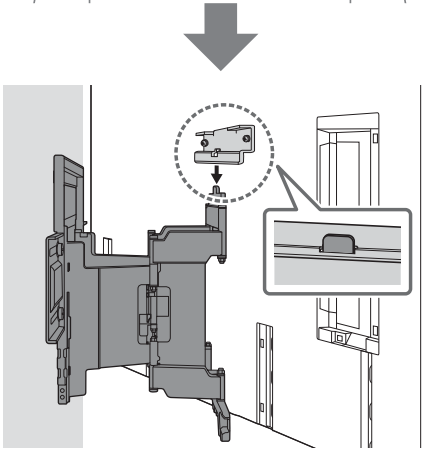
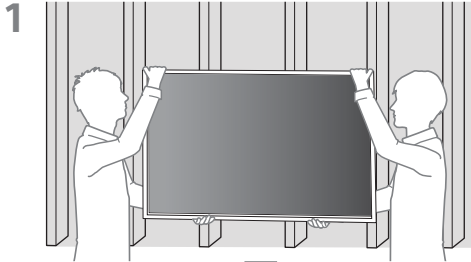
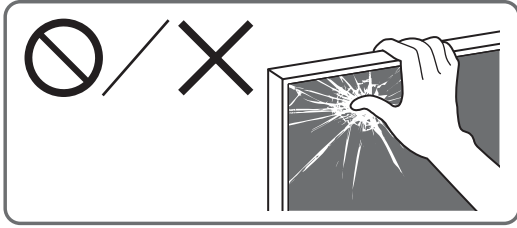
4 Eemaldage lauapealne alus telerilt.



Märkus.

- Olge ettevaatlik, kui tõstate lauapealse aluse eemaldamisel telerit, kuna lauapealne alus võib ümber kukkuda ja põhjustada kehavigastusi.
- Olge ettevaatlik, kui eemaldate telerilt lauapealse aluse, et see ei saaks ümber kukkuda ja kahjustada teleri aluseks olevat pinda.

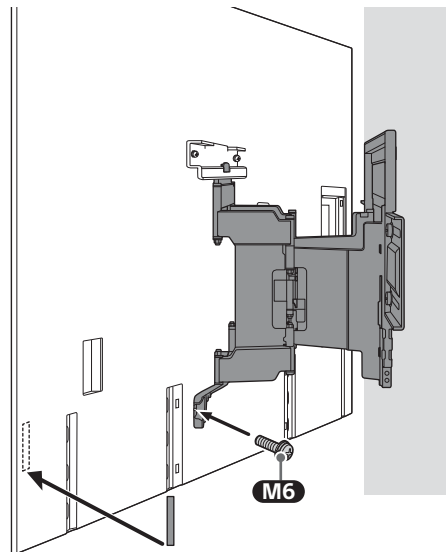
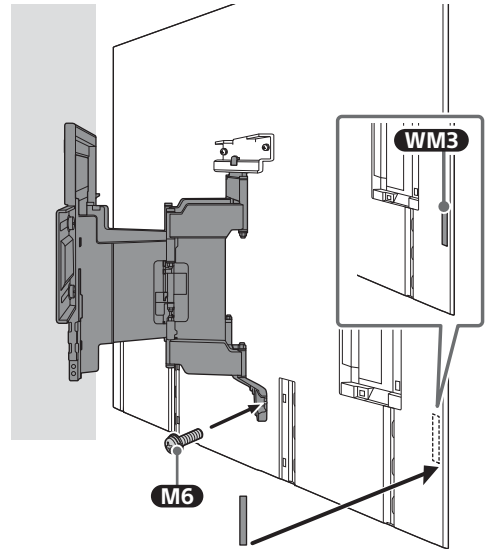
Teleri paigaldamine seinale

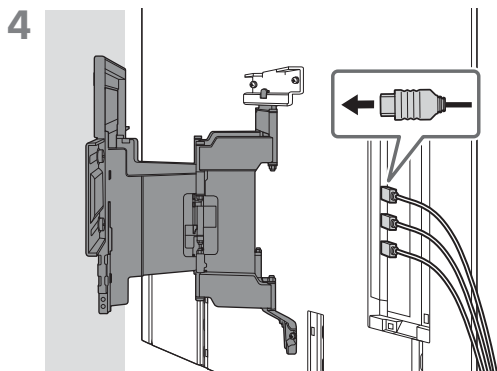


3 Kravige seinale paigaldamise kinnituse vasak- ja parempool sisse, kasutades **M6** ja kinnitage **WM3**.

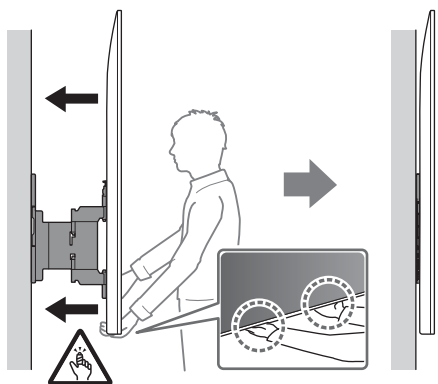
Märkus.

- Ärge kinnitage **WM3**-e siltidele.



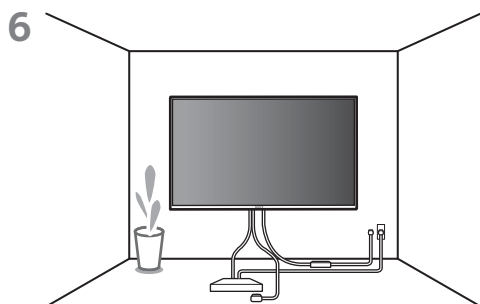


5 Hoidke teleri liigutamisel seda korralikult põhjast kinni.



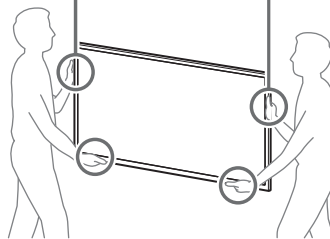
Märkus.

- Olenevalt kinnitatud kaablite tüübist ja arvust ei pruugi telerit olla võimalik seinale lähedale liigutada. See ei ole rike.



HOIATUS

- Suure teleri transportimiseks on vaja vähemalt kahte inimest (189,3 cm (75 tolli) ja suurema teleri korral vähemalt kolme inimest) (v.a Egiptus). Suure teleri transportimiseks on vaja vähemalt kahte inimest (75 tolli (189,3 cm) ja suurema teleri korral vähemalt kolme inimest) (ainult Egiptus).



Paigaldusjärgne kontroll

Kontrollige järgmist.

- Toite- ja ühenduskaablid ei ole väändunud ega kokku surutud.

HOIATUS

- Vahelduvvoolu toitekaabli jms paigaldamine valesse kohta võib põhjustada lühise tagajärjel elektrilöögi või tulekahju. Teostage paigaldusjärgne kontroll, et tagada ohutus.

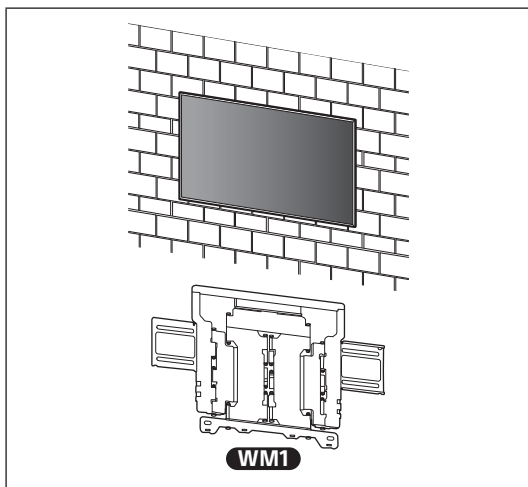
Muu teave

Teleri seinale eemaldamisel järgige eelpool kirjeldatud paigaldustoimingut vastupidises järjekorras.

HOIATUS

- Suure teleri transportimiseks on vaja vähemalt kahte inimest (189,3 cm (75 tolli) ja suurema teleri korral vähemalt kolme inimest) (v.a Egiptus). Suure teleri transportimiseks on vaja vähemalt kahte inimest (75 tolli (189,3 cm) ja suurema teleri korral vähemalt kolme inimest) (ainult Egiptus).

B Seinale paigaldamise kinnituse paigaldamine kõvale betoonile või betoonplokkile



Seinale paigaldamise kinnituse paigaldamine seinale

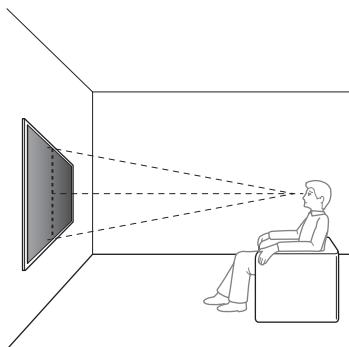
1 Tehke kindlaks paigalduskoht.

Veenduge, et seinal oleks teleri jaoks piisavalt ruumi ja see suudaks kanda vähemalt kuuekordset teleri raskust.

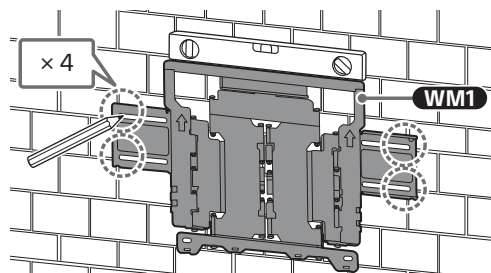
- Vt jaotist „Seinale paigaldamise kinnituse seinale paigaldamise mõõdmed“ lk 17.
- Vaadake teleri raskust oma teleri teatmikust.

Märkus.

- Kui teler on seinale paigaldatud, kaldub teleri ülemine osa vähesel määral ettepoole.
- Soovitame teleri paigutust kontrollida selle vaatamiskohast.



2 Joondage WM1 seinä külge ja tehke neli märki.

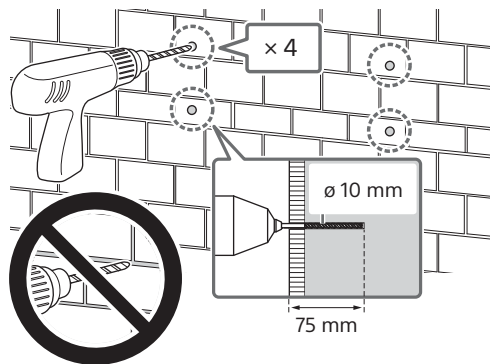


Märkus.

- Kontrollige loodi abil, kas WM1 on loodis.

3 Puurige tähistatud kohtadesse abiaugud.

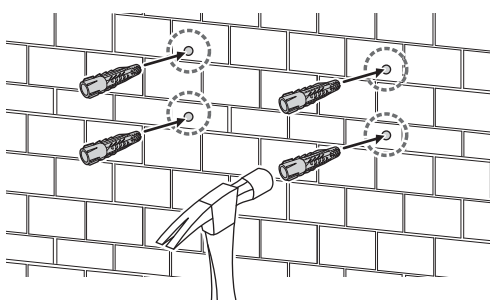
Veenduge, et seinä puuritavate aukude asukoht oleks piisavalt tugev, et kanda vähemalt kuuekordset teleri raskust.



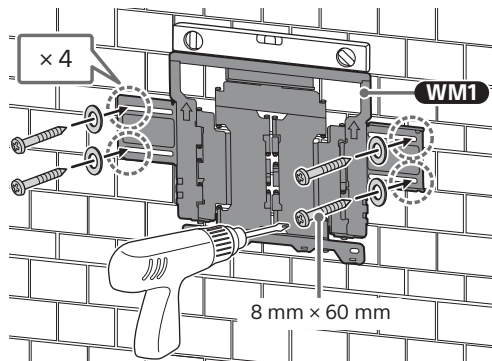
Märkus.

- Juhtaugud tuleb puurida 75 mm sügavusele, kasutades 10 mm läbimõõduga puuriotsakut.

4



- 5 Kasutage **WM1** seinale paigaldamiseks sobivaid kruvisid (pole komplektis) ja seibe (pole komplektis).



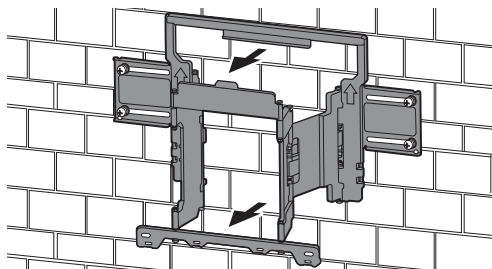
Märkus.

- Kontrollige loodi abil, kas **WM1** on loodis.

Ettevaatust!

- Ärge pingutage üleliia puidust kruvisid 8 mm x 60 mm. Vale pingutamine võib vähendada puidust kruvide 8 mm x 60 mm hoidejõudu.

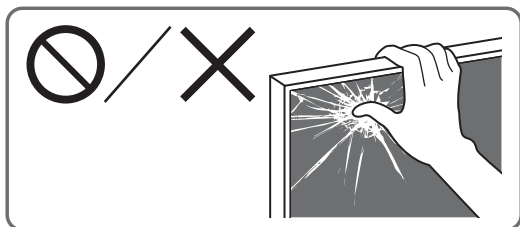
- 6 Tõmmake raami tugi lõpuni välja.



Ettevalmistus teleri paigaldamiseks

Märkus.

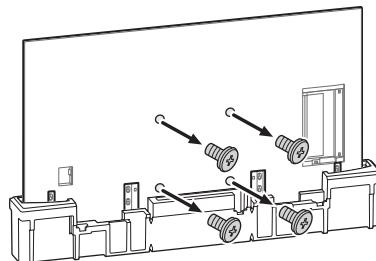
- Hoidke eemaldatud kruvisid ja kasutamata osasid kindlas lastele kättesaamatus kohas.



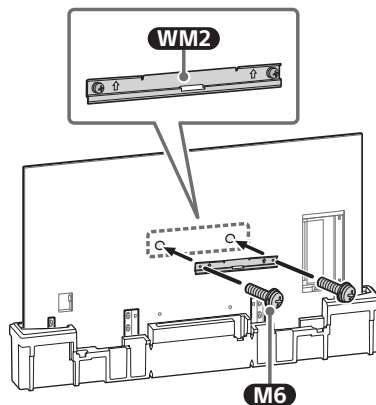
Teleri paigaldamine otse karbist seinale*1

*1 Ainult teatud piirkondade/riikide/mudelite jaoks.

- 1 Eemaldage teleri tagaküljelt kruvid.

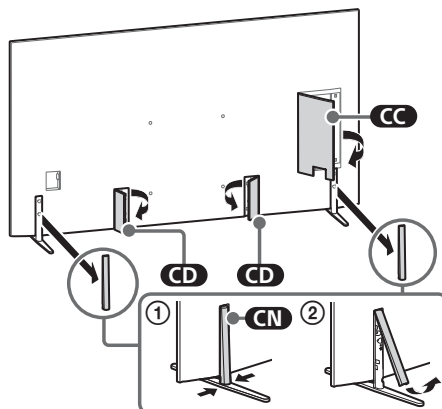


- 2 Kinnitage **WM2** teleri külge, kasutades **M6**.

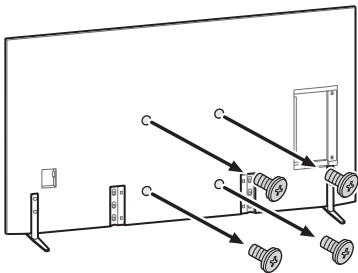


Teleri paigaldamine lauapealselt aluselt seinale

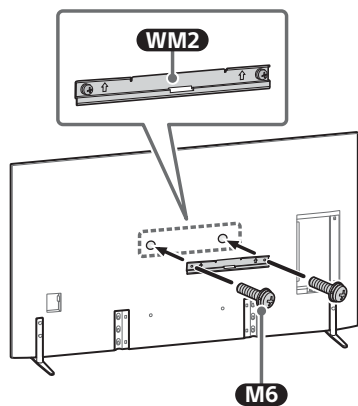
- 1 Eemaldage aluse katted ja klemmide katted.



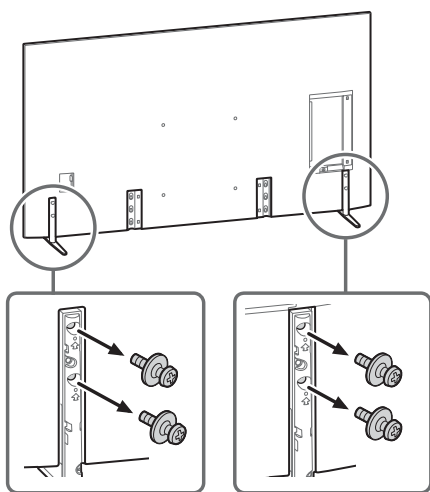
2 Eemaldage teleri tagaküljelt kruvid.



3 Kinnitage **WM2** teleri külge, kasutades **M6**.



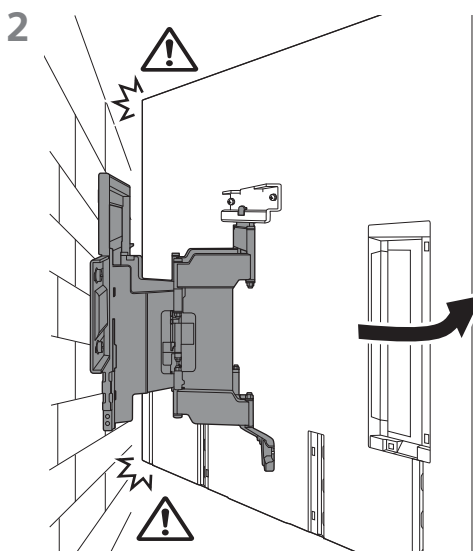
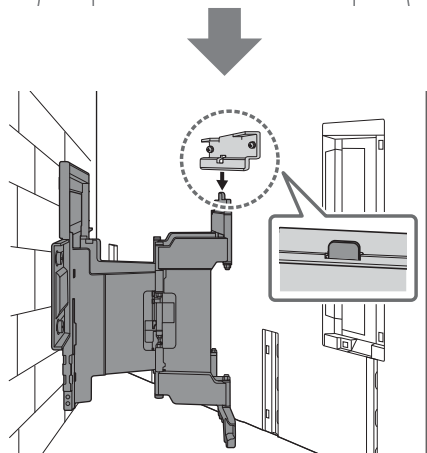
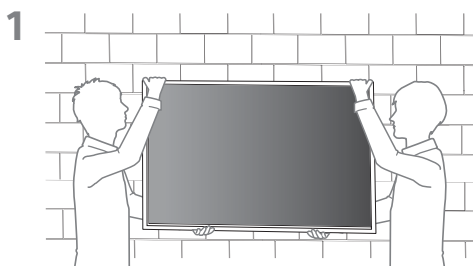
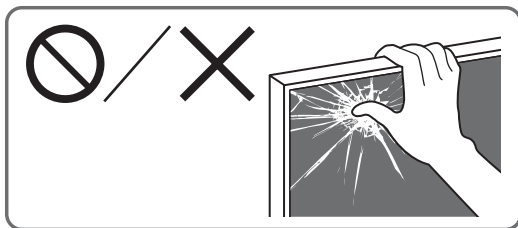
4 Eemaldage lauapealne alus telerilt.



Märkus.

- Olge ettevaatlik, kui tõstate lauapealse aluse eemaldamisel telerit, kuna lauapealne alus võib ümber kukkuda ja põhjustada kehavigastusi.
- Olge ettevaatlik, kui eemaldate telerilt lauapealse aluse, et see ei saaks ümber kukkuda ja kahjustada teleri aluseks olevat pinda.

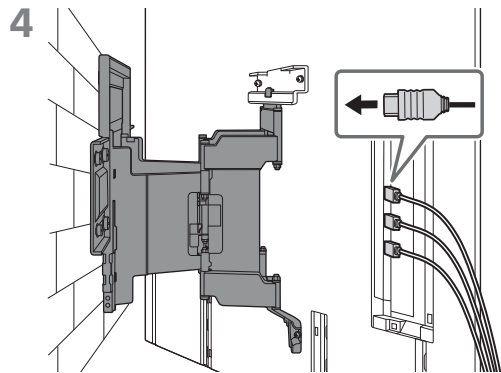
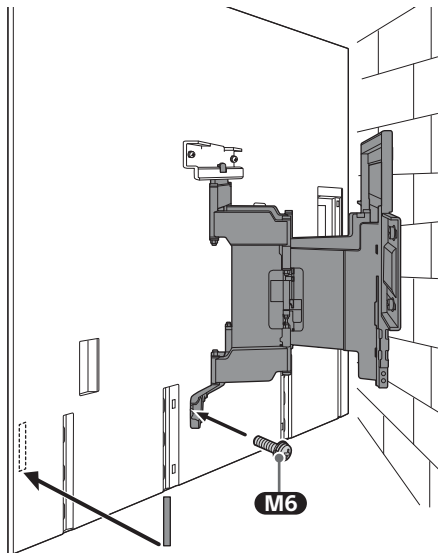
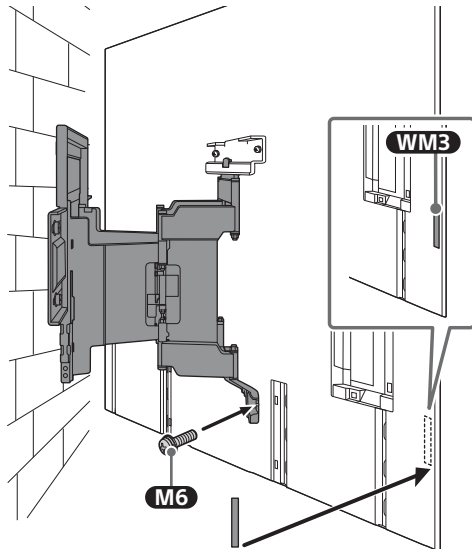
Teleri paigaldamine seinale



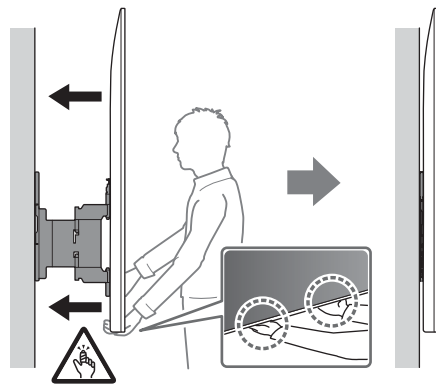
3 Kravige seinale paigaldamise kinnituse vasak- ja parempool sisse, kasutades **M6** ja kinnitage **WM3**.

Märkus.

- Ärge kinnitage **WM3**-e siltidele.

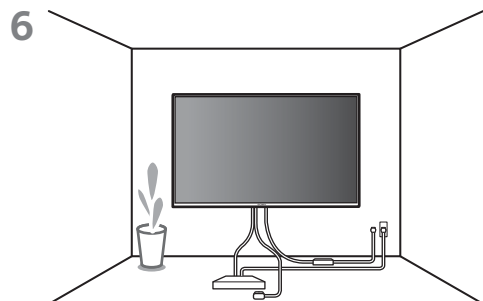


5 Hoidke teleri liigutamisel seda korralikult põhjast kinni.



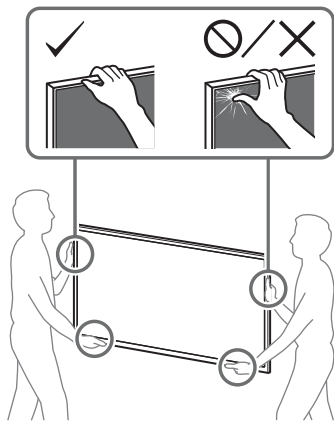
Märkus.

- Olenevalt kinnitatud kaablite tüübist ja arvust ei pruugi telerit olla võimalik seinale lähedale liigutada. See ei ole rike.



HOIATUS

- Suure teleri transportimiseks on vaja vähemalt kahte inimest (189,3 cm (75 tolli) ja suurema teleri korral vähemalt kolme inimest) (v.a Egiptus).
Suure teleri transportimiseks on vaja vähemalt kahte inimest (75 tolli (189,3 cm) ja suurema teleri korral vähemalt kolme inimest) (ainult Egiptus).



Paigaldusjärgne kontroll

Kontrollige järgmist.

- Toite- ja ühenduskaablid ei ole väändunud ega kokku surutud.

HOIATUS

- Vahelduvvoolu toitekaabli jms paigaldamine valesse kohta võib põhjustada lühise tagajärjel elektrilöögi või tulekahju. Teostage paigaldusjärgne kontroll, et tagada ohutus.

Muu teave

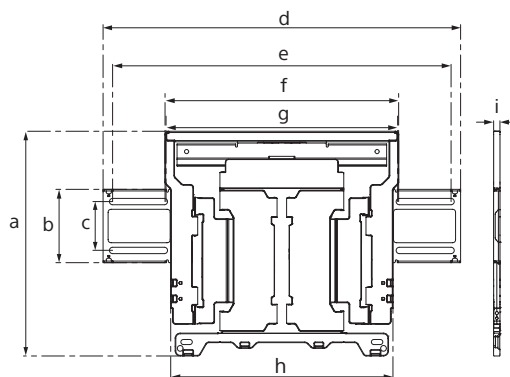
Teleri seinalt eemaldamisel järgige eelpool kirjeldatud paigaldustoimingut vastupidises järjekorras.

HOIATUS

- Suure teleri transportimiseks on vaja vähemalt kahte inimest (189,3 cm (75 tolli) ja suurema teleri korral vähemalt kolme inimest) (v.a Egiptus).
Suure teleri transportimiseks on vaja vähemalt kahte inimest (75 tolli (189,3 cm) ja suurema teleri korral vähemalt kolme inimest) (ainult Egiptus).

Tehnilised andmed

WM1



Mõõtmed: (umbes) [mm]

- a : 354
- b : 116
- c : 77
- d : 563
- e : 533
- f : 370
- g : 368
- h : 350
- i : 11

Mass (ainult alus): (umbes) [kg]

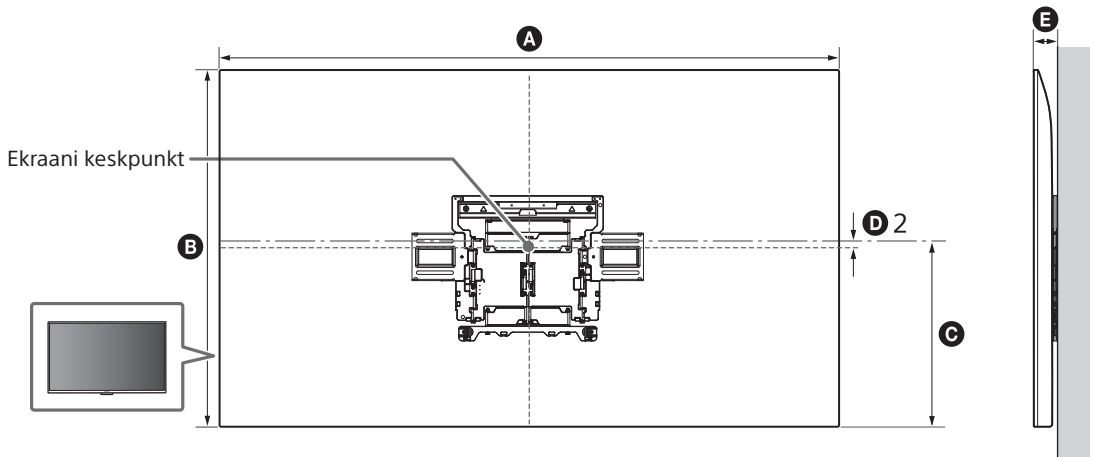
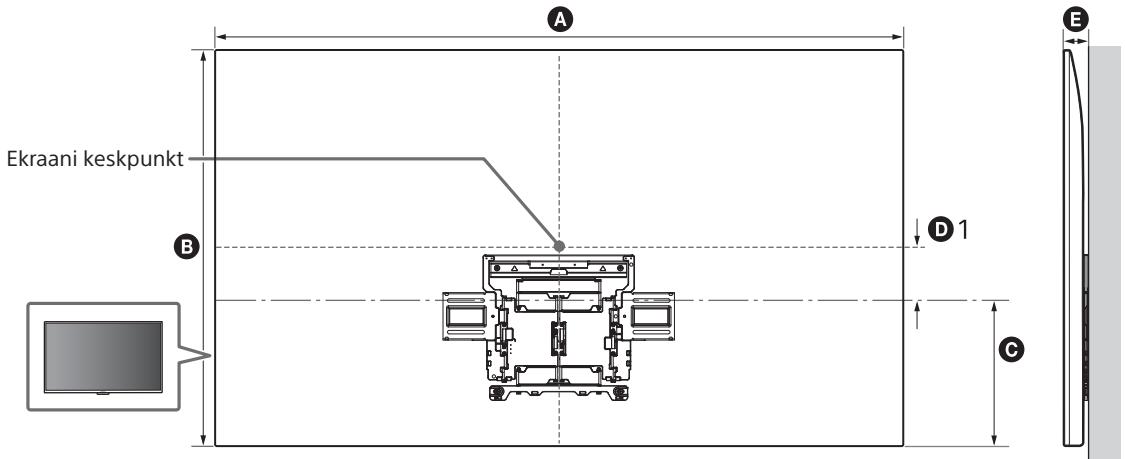
3,0

Disaini ja tehnilisi andmeid võidakse muuta ilma etteteatamata.

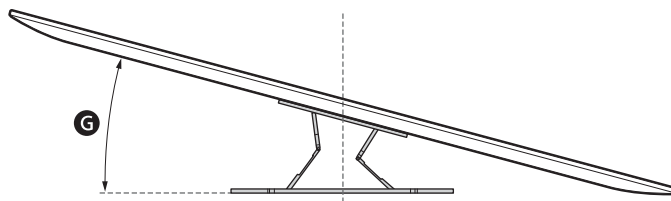
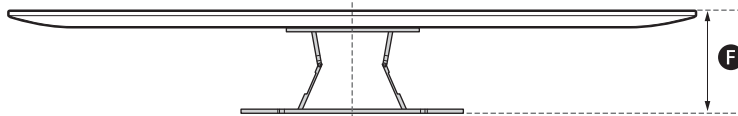
Viited

Seinale paigaldamise kinnituse seinale paigaldamise mõõtmed

Sõltuvalt paigaldusest võivad tabelis olevad arvud vähesel määral erineda.



EE



(mm)

Mudeli nimi	A	B	C	D 1	D 2	E	F ^{*1}	G ^{*1} (°)
K-77XR8x	1 713	984	362	139	-	48	251,4	12
K-65XR8x	1 442	829	362	57	-	48	250,8	17
K-55XR8x	1 223	706	362	-	3	48	250,8	19

*1 (Umbes)

Uzstādīšanas informācija par "Sony" kronšteina montāžai pie sienas (SU-WL850) izmantošanu

Atbalstītie modeļi*1:

*1 Piedāvāto modeļu nosaukumos "x"/"xx" norāda katram modelim unikālus skaitļus un/vai rakstzīmes.

K-77XR8x / 65XR8x / 55XR8x

Informācija klientiem

Izstrādājuma aizsardzības un drošības apsvērumu dēļ "Sony" iesaka televizoru uzstādīšanu uzticēt "Sony" izplatītājiem vai licencētiem uzņēmējiem. Nemēģiniet to uzstādīt saviem spēkiem.

"Sony" izplatītājiem un darbu izpildītājiem

Uzstādīšanas un arī periodisko apkopju un pārbaūžu laikā pievērsiet lielu uzmanību drošībai.

Šī izstrādājuma uzstādīšanai ir nepieciešamas atbilstošas zināšanas, it īpaši, lai noteiktu, vai siena spēs izturēt televizora svaru. Izstrādājuma piestiprināšanu pie sienas uzticiet "Sony" izplatītājiem vai licencētiem darbu uzņēmējiem un uzstādīšanas laikā pievērsiet uzmanību drošībai. "Sony" neuzņemsies atbildību par materiāliem zaudējumiem vai traumām, kas radušās nepareizas rīkošanās vai nepareizas uzstādīšanas dēļ.

Lai uzstādīšana būtu droša un pareiza, ievērojiet kronšteina montāžai pie sienas darbību norādījumus, kā arī televizora uzsākšanas ceļvedī un šajā rokasgrāmatā sniegtos norādījumus.

Kronšteins montāžai pie sienas

Drošība

Pateicamies, ka iegādājāties šo izstrādājumu.

Informācija klientiem

Televizora uzstādīšana pie sienas



BRĪDINĀJUMS!

JĀUZSTĀDA PROFESIONĀLAM MONTIERIM

Šo izstrādājumu ir atļauts uzstādīt tikai profesionālam montierim, kurš spēj noteikt, vai izvēlēta siena spēs noturēt televizora svaru. Ja montāžas laikā televizors netiek pienācīgi nostiprināts, tas var nokrist un radīt nopietnas traumas. "Sony" neuzņemas atbildību par jebkādiem zaudējumiem vai traumām, kas radušās nepareizas apiešanās vai montāžas rezultātā, vai ja montāžai nav izmantots "Sony" apstiprināts ražojums. Jūsu likumīgās tiesības (ja tādas attiecināmas) paliek spēkā.

Informācija "Sony" izplatītājiem

Lai uzstādītu šo izstrādājumu, vajadzīgas atbilstīgas prasmes. Lai varētu droši uzstādīt izstrādājumu, noteikti izlasiet šo lietošanas rokasgrāmatu. "Sony" neuzņemas atbildību par bojājumiem vai traumām, kas rodas, ja izstrādājums netiek izmantots vai uzstādīts pareizi. Pēc izstrādājuma uzstādīšanas nododiet šo rokasgrāmatu klientam.

Šajā lietošanas rokasgrāmatā paskaidrots, kā pareizi apieties ar izstrādājumu un kas jāņem vērā, lai izvairītos no negadījumiem. Jums ir noteikti pilnīgi jāizlasa, jāizprot un jāievēro visas šajā lietošanas rokasgrāmatā sniegtās norādes. Pretējā gadījumā jūs riskējat gūt nopietnas traumas, sabojāt ierīci, un garantija var tikt atcelta. Saglabājiet šo rokasgrāmatu, lai vajadzības gadījumā varētu to pārskatīt.

Visi "Sony" izstrādājumi ir radīti, domājot par drošību. Taču, ja izstrādājums tiek izmantots nepareizi, jūs varat gūt nopietnas traumas, kuras rada uguns, strāvas trieciens un ierīces apgāšanās vai nokrišana. Noteikti ievērojiet drošības norādes, lai izvairītos no šādiem negadījumiem.

UZMANĪBU!

Specializēti izstrādājumi

Šo kronšteinu montāžai pie sienas paredzēts lietot ar noteiktiem televizoriem. Lai noskaidrotu iespējas izmantot kronšteinu montāžai pie sienas, skatiet šā televizora atsauces ceļvedi.

Informācija klientiem

BRĪDINĀJUMS!

Neievērojot tālākās norādes, var gūt smagas vai nāvējošas traumas aizdegšanās, strāvas triecienu vai ierīces nokrišanas rezultātā.

Uzticiet uzstādīšanu licencētiem līgumstrādniekiem un raugieties, lai uzstādīšanas laikā tuvumā neatrastos mazi bērni.

Ja kronšteins montāžai pie sienas vai televizors nav uzstādīts pareizi, var notikt tālāk minētie negadījumi. Uzstādīšanu noteikti uzticiet licencētiem līgumstrādniekiem.

- Televizors var nokrist un radīt jums nopietnas traumas, piemēram, nobrāzumus vai lūzumus.
- Ja siena, pie kuras piestiprināts kronšteins montāžai pie sienas, ir nestabila, nelīdzena vai tā nav perpendikulāra attiecībā pret grīdu, ierīce var nokrist un radīt traumas vai sabojāt ierīci. Sienai jāspēj noturēt televizora svaru, kas vismaz sešas reizes pārsniedz televizora svaru. (Sava televizora svaru skatiet televizora atsauces ceļvedi.)
- Ja kronšteins montāžai pie sienas nav pienācīgi piestiprināts, konstrukcija var nokrist un radīt traumas vai sabojāt ierīci.

Televizora pārvietošanu vai noņemšanu no kronšteina noteikti uzticiet licencētiem līgumstrādniekiem.

Ja televizoru pārvieto vai noņem nelicencētas personas, tas var nokrist un radīt traumas vai materiālus zaudējumus. Liela televizora pārvietošana jāveic diviem vai vairāk cilvēkiem (ja ekrāna diagonāle ir 189,3 cm (75 collas) vai vairāk — trim vai vairāk cilvēkiem) (izņemot Ēģipti). Liela televizora pārvietošana jāveic diviem vai vairāk cilvēkiem (ja ekrāna diagonāle ir 75 collas (189,3 cm) vai vairāk — trim vai vairāk cilvēkiem) (tikai Ēģipte).

Kad televizors ir piestiprināts pie kronšteina, neizskrūvējiet skrūves u. c.

Pretējā gadījumā televizors var nokrist un radīt traumas vai materiālus zaudējumus.

Nepārveidojiet kronšteina montāžai pie sienas detaļas.

Pretējā gadījumā kronšteins montāžai pie sienas var nokrist un radīt traumas vai sabojāt ierīci.

Pie kronšteina piestipriniet tikai tam paredzētas ierīces.

Šo kronšteinu montāžai pie sienas paredzēts lietot tikai ar norādīto izstrādājumu. Uzstādot neapstiprinātas ierīces, tās var nokrist vai salūzt un radīt jums traumas vai materiālus zaudējumus.

Kronšteinu montāžai pie sienas nenoslogojiet ne ar ko citu, kā tikai ar televizoru. Nekratiet televizoru pa kreisi/labi, uz augšu/leju.

Pretējā gadījumā televizors var nokrist un radīt traumas vai materiālus zaudējumus.

Neatspiedieties pret televizoru vai nekarājieties pie tā.

Neatspiedieties pret televizoru vai nekarājieties pie tā, jo tas var uzkrīst jums virsū un radīt nopietnas traumas.

UZMANĪBU!

Neievērojot tālāk norādītās instrukcijas, jums var rasties traumas vai materiāli zaudējumi.

- Uzstādot kronšteinu montāžai pie sienas vai pagriežot televizoru, rīkojoties uzmanīgi, lai nesapīestu pirkstus.
- Pagriežot televizoru, rīkojieties uzmanīgi, lai ar to netrāpītu tuvumā esošajiem.
- Neizmantotās detaļas noglabājiet drošā vietā turpmākai lietošanai. Uzglabājiet tās bērniem nepieejamā vietā.

Tīrot vai veicot apkopi, nepielietojiet pārāk daudz spēka.

Darbojoties ar televizora augšpusi, nepielietojiet pārāk daudz spēka. Pretējā gadījumā televizors var nokrist un radīt traumas vai materiālus zaudējumus.

Nenovietojiet šo izstrādājumu medicīnas iekārtu tuvumā.

Šajā izstrādājumā (tostarp traucējumos) ir magnēts(-i), kas var radīt traucējumus elektrokardiostimulatoriem, programmējamiem šuntu vārstiem hidrocefālijas ārstēšanai vai citām medicīnas iekārtām. Novietojiet šo izstrādājumu tādu personu tuvumā, kuras izmanto minētās medicīnas iekārtas. Ja lietojat kādu no šīm medicīnas iekārtām, konsultējieties ar ārstu pirms šī izstrādājuma lietošanas.

Uzglabājiet bērniem un citām uzraugāmām personām nepieejamā vietā.

Šajā izstrādājumā (tostarp piederumos) ir magnēts(-i). Norijot magnētu(-us), var rasties smags kaitējums, piemēram, nosmakšanas risks vai zarnu bojājumi. Ja magnēts(-i) ir norīts(-i), nekavējoties meklējiet medicīnisku palīdzību.

Noderīga informācija

- Ja televizors uz kronšteina montāžai pie sienas ir piestiprināts uz ilgu laiku, siena aiz vai virs televizora atkarībā no sienas materiāla var iekrāsoties citā krāsā, vai arī var atflimēties tapetes.
- Kad kronšteins montāžai pie sienas tiek noņemts, sienā paliek skrūvju caurumi.
- Nelietojiet kronšteina montāžai pie sienas vietās, kur uz to var iedarboties mehāniskas vibrācijas.

Kronšteina montāžai pie sienas uzstādīšana

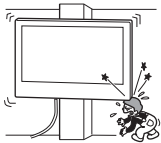
Informācija "Sony" izplatītājiem

BRĪDINĀJUMS!

Tālākās instrukcijas paredzētas tikai "Sony" izplatītājiem. Noteikti izlasiet iepriekš norādīto drošības informāciju un ievērojiet drošību, kad uzstādāt, apkopjat vai pārbaudāt šo izstrādājumu.

Neuzstādiet kronšteina montāžai pie sienas vietās, kur televizora stūri vai sāni pēc tam būs izvīzīti no uzstādīšanas virsmas.

Neuzstādiet kronšteina montāžai pie sienas vietās, kur televizora stūri vai sāni pēc tam būs izvīzīti no uzstādīšanas virsmas, piemēram, pie kolonnas. Ja cilvēks vai priekšmets uzgrūds izvīzītam televizora sānam vai stūrim, var rasties traumas vai materiāli zaudējumi.

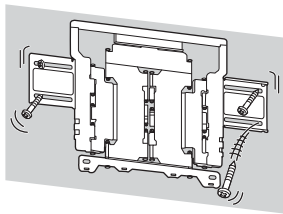


Neuzstādiet televizoru virs vai zem gaisa kondicionētāja.

Ja uz televizora nonāk ūdens vai uz to ilgstoši tiek pūsta gaisa plūsma no kondicionētāja, var rasties aizdegšanās vai strāvas trieciena risks vai televizors var sākt darboties nepareizi.

Kronšteina montāžai pie sienas noteikti uzstādiet pareizi un ievērojiet šajā lietošanas rokasgrāmatā sniegtās norādes.

Ja kāda no skrūvēm ir vaļīga vai izkritusi, kronšteins montāžai pie sienas var nokrist un radīt traumas vai sabojāt īpašumu. Noteikti izmantojiet sienas materiālam atbilstošas skrūves un uzstādiet ierīci droši, izmantojot četras 8 mm diametra (vai līdzvērtīgas) skrūves.



Piegādātās skrūves un stiprinājuma detaļas izmantojiet pareizi, kā norādīts šajā lietošanas rokasgrāmatā. Izmantojot citas detaļas, televizors var nokrist un tikt bojāts vai radīt traumas.

Kronšteina samontējiet, ievērojot lietošanas rokasgrāmatā norādīto procesu.

Ja kāda no skrūvēm ir vaļīga vai izkritusi, televizors var nokrist un tikt bojāts vai arī radīt traumas.

Kārtīgi pievelciet skrūves paredzētajās vietās.

Pretējā gadījumā televizors var nokrist un tikt bojāts vai arī radīt traumas citiem.

Uzstādot televizoru, nepakļaujiet to triecieniem.

Ja televizors tiek pakļauts triecieniem, tas var nokrist vai salūzt. Tas var radīt traumas.

Televizoru uzstādiet uz sienas, kas ir gan perpendikulāra attiecībā pret grīdu, gan līdzena.

Pretējā gadījumā televizors var nokrist un radīt traumas.

Kad televizors ir uzstādīts, cieši nostipriniet vadus.

Ja cilvēki vai priekšmeti sapīšies vadus, tas var radīt traumas cilvēkiem vai bojāt televizoru.

Nesaspiediet maiņstrāvas vadu vai savienojuma kabeli.

Ja maiņstrāvas vads vai savienojuma kabelis ir iespiests starp kronšteina un sienu vai ar spēku tiek locīts vai vērpts, iekšējie vadi var atstāties un radīt īssavienojumu vai strāvas caursīti. Tas var izraisīt aizdegšanos vai strāvas triecienu.



Skrūves kronšteina montāžai pie sienas piestiprināšanai pie sienas nav iekļautas komplektā.

Piestiprinot kronšteina montāžai pie sienas, izmantojiet skrūves, kas piemērotas sienas materiālam un uzbūvei.

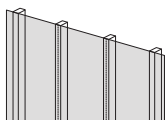
Pirms darba uzsākšanas

- Šajā rokasgrāmatā parādīto televizora attēlu uzdevums ir sniegt skaidrus un saprotamus paskaidrojumus par to darbību. Šī iemesla dēļ ilustrācijas var atšķirties no jūsu faktiskā televizora.

No kāda materiāla ir veidota siena?

Pirmkārt, pārbaudiet, no kāda materiāla ir siena, kur vēlaties piestiprināt televizoru.

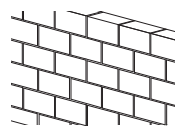
Rīgpīša siena ar profiliem



Noderīga informācija

- Maksimālais rīgpīša sienas biezums: 16 mm.
- Pārliedzieties, ka iekšējais koka profila izmērs ir vismaz 51 mm × 102 mm vispārīgos gadījumos vai 38 mm × 89 mm nomināli.
- Raugiet, lai minimālais attālums starp stiprinājumiem horizontālā virzienā būtu 406 mm.

Lietā betons vai betona bloki



Noderīga informācija

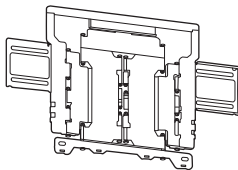

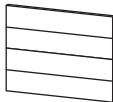

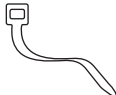
- Uzstādiet kronšteinu montāžai pie sienas tieši pie lietā betona sienas.
- Pārliedzieties, ka lietā betona sienas biezums ir vismaz 203 mm.
- Pārliedzieties, ka atsevišķo betona bloku izmērs ir vismaz 203 mm × 203 mm × 406 mm.

LV

Detalju pārbaude



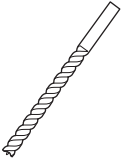
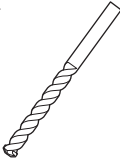
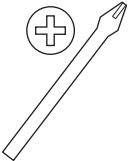
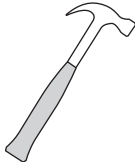
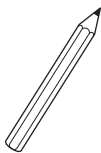

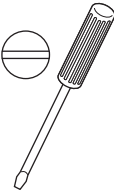
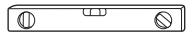



Komplektā ar SU-WL850

- Pārbaudiet, vai iekļautas visas detaļas.

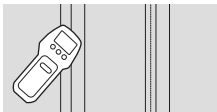
WM1 (x1) 	WM2 (x1) 	WM3 (x4) 
M6 (x4) 	WT1 (x6) 	

Sagatavošanās uzstādīšanai

- Pirms uzstādīšanas sagatavojiet televizora atsauces ceļvedi un uzsākšanas ceļvedi.
- Pārbaudiet televizora uzstādīšanas pozīciju.
- Sagatavojiet četras 8 mm diametra skrūves un četras atbilstošas paplāksnes (neietilpst komplektā). Izvēlieties skrūves, kas piemērotas sienas materiālam.
- Sagatavojiet šādus instrumentus:

*1 		 5,5 mm	 10 mm	
*2 		 1,5 N·m {15 kgf·cm}	*3  1,5 N·m {15 kgf·cm}	
	*2  (x4)	*4  (x4) 8 mm × 60 mm	*4  (x4)	

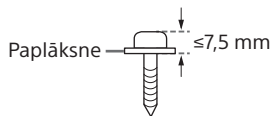
*1 Tikai rīgipša sienām ar profiliem



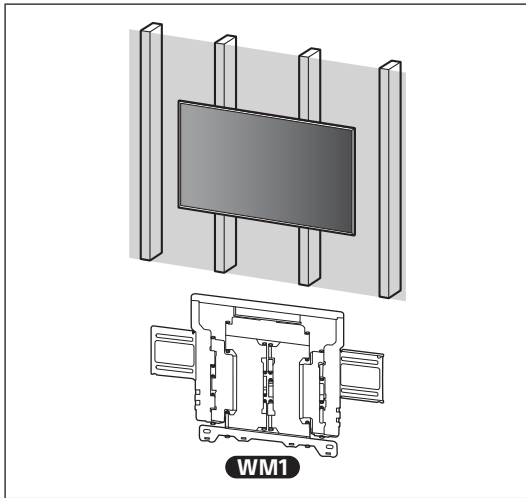
*2 Tikai lietam betonam vai betona blokam

*3 Atkarībā no modeļa

*4 Pievērsiet uzmanību, izvēloties skrūves un paplāksnes



A Kronšteina montāžai pie sienas piestiprināšana pie režģiša sienas ar profiliem



Kronšteina montāžai pie sienas uzstādīšana

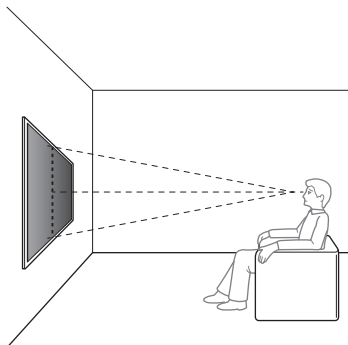
1 Izvēlieties uzstādīšanas vietu.

Pārbaudiet, vai siena ir pietiekami liela un spēj noturēt svaru, kas vienāds ar vismaz seškāršu televizora svaru.

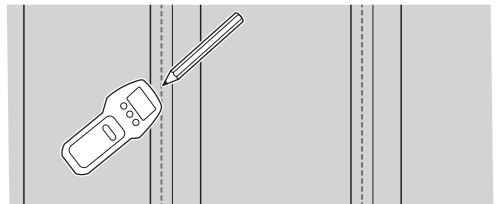
- Skatīt "Kronšteina montāžai pie sienas uzstādīšanas izmēri" 18. lpp.
- Televizora svaru skatiet televizora atsaucēs ceļvedī.

Piezīme

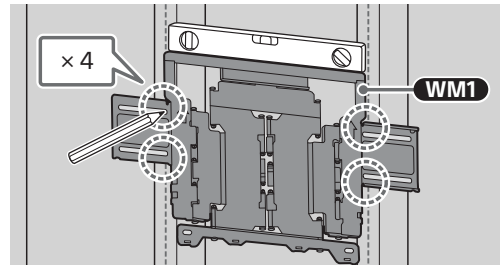
- Pēc televizora uzstādīšanas pie sienas tā augšējā daļa nedaudz sasveras uz priekšu.
- Mēs iesakām pārbaudīt televizora novietojumu paredzētajā skatīšanās vidē.



2



3 Pielieciet WM1 pie sienas un iezīmējiet četras vietās uz profiliem.

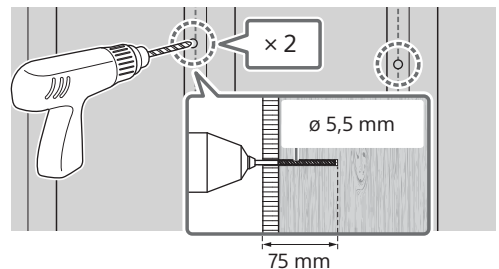


Piezīme

- Izmantojiet līmeņrādi, lai pārliecinātos, vai WM1 ir uzstādīts taisni.

4 Augšējo iezīmju vietās izveidojiet palīgurbumus.

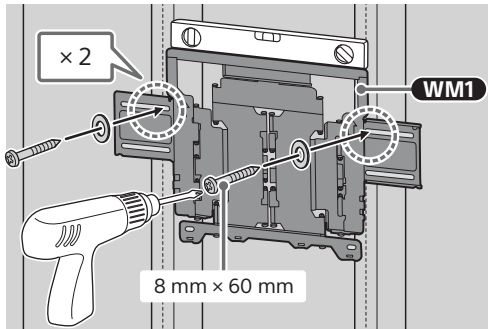
Pārlicinieties, ka vieta uz sienas, kur tiks urbtas atveres, ir pietiekami izturīga, lai spētu izturēt vismaz seškārtīgu televizora svaru.



Piezīme

- Palīgurbumi jāveic 75 mm dziļumā, izmantojot 5,5 mm diametra urbi.

- 5 Nostipriniet **WM1** pie sienas, izmantojot piemērotas skrūves (neietilpst komplektā) un paplāksnes (neietilpst komplektā).



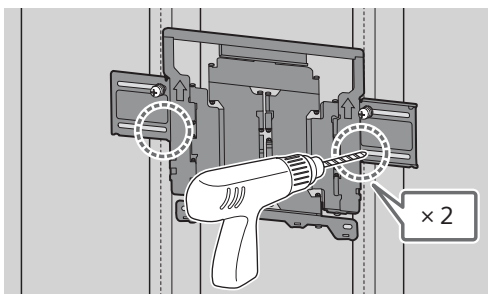
Piezīme

- Izmantojiet līmeņrādi, lai pārlicinātos, vai **WM1** ir uzstādīts taisni.

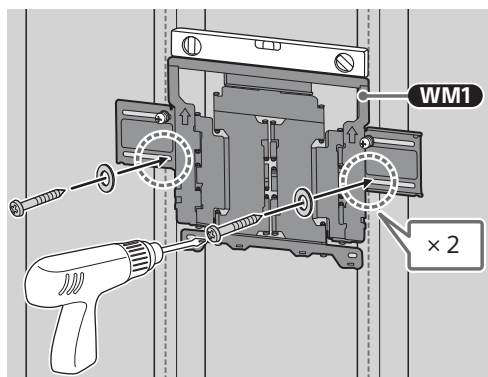
Brīdinājums

- Nepievelciet koka skrūvi 8 mm x 60 mm pārāk stingri. Neatbilstīga pievilkšana var mazināt koka skrūves 8 mm x 60 mm saturēšanas spēku.

- 6 Apakšējo iezīmju vietās izveidojiet palīgurbumus. (Norādījumus par urbi skatiet 4. punktā.)



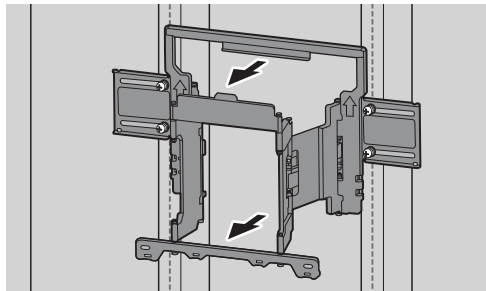
- 7 Urbumos izmantojiet atbilstošas skrūves un paplāksnes.



Piezīme

- Izmantojiet līmeņrādi, lai pārlicinātos, vai **WM1** ir uzstādīts taisni.

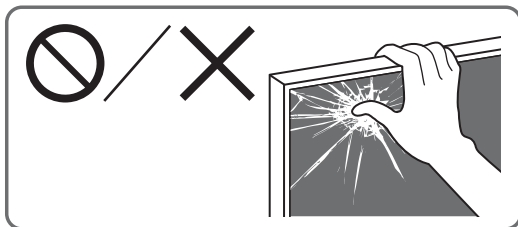
- 8 Izvelciet kronšteina sviru līdz galam.



Sagatavošanās televizora uzstādīšanai

Piezīme

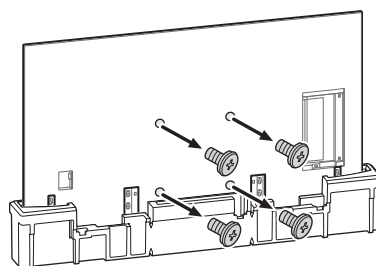
- Izskrūvētās skrūves un neizmantotās daļas noteikti uzglabājiet drošā, bērniem nepieejamā vietā.



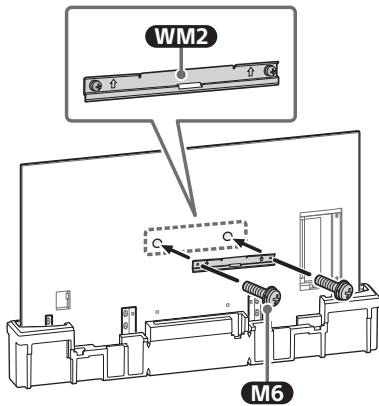
Televizora uzstādīšana pie sienas pēc izņemšanas no iepakojuma*1

*1 Tikai dažiem reģioniem/valstīm/modelļiem.

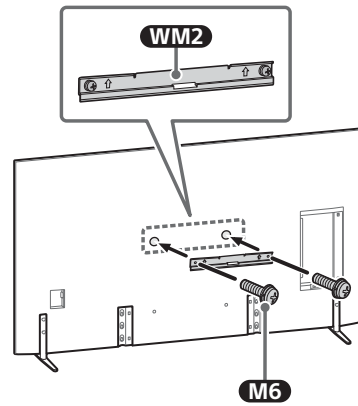
- 1 Izskrūvējiet televizora aizmugurē esošās skrūves.



2 Nostipriniet **WM2** pie televizora, izmantojot **M6**.

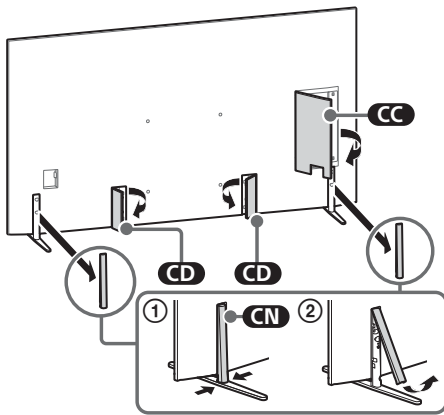


3 Nostipriniet **WM2** pie televizora, izmantojot **M6**.

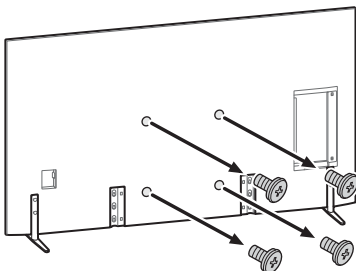


Televizora uzstādīšana pie sienas no galda statīva

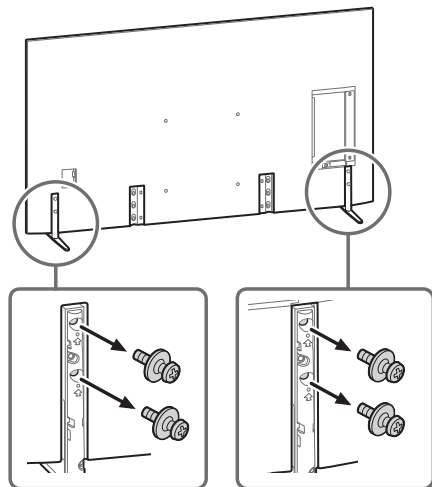
1 Noņemiet statīva pārsegu un terminālu pārsegu.



2 Izskrūvējiet televizora aizmugurē esošās skrūves.



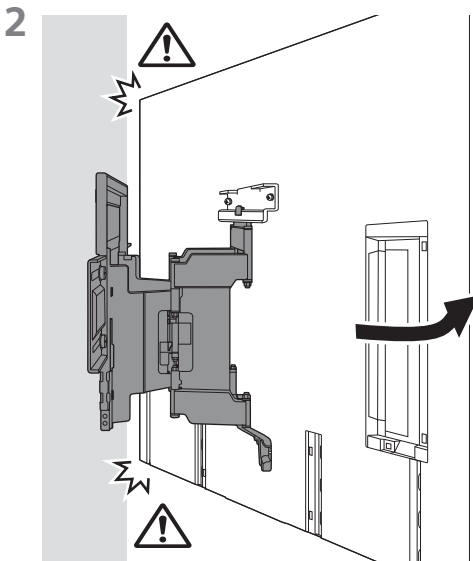
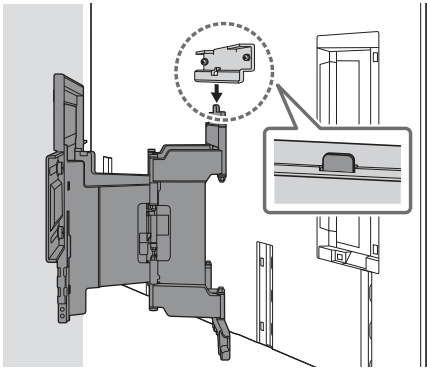
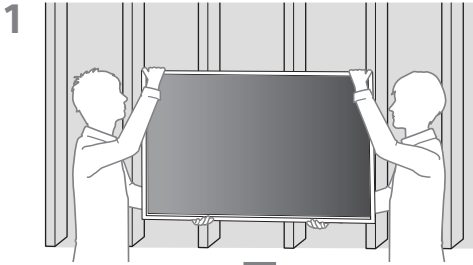
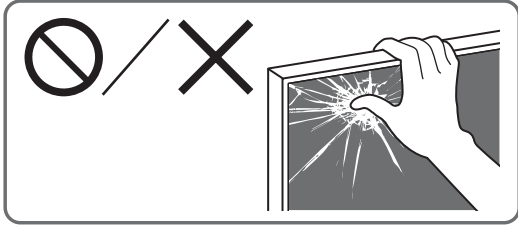
4 Atvienojiet no televizora galda statīvu.



Piezīme

- Ja galda statīvs nav nostiprināts, uzmanieties, ceļot televizoru, jo statīvs var gāzties un radīt traumas.
- Uzmanieties, noņemot televizoram galda statīvu, lai nepieļautu televizora apgāšanos un virsmas, uz kuras balstās televizors, sabojāšanu.

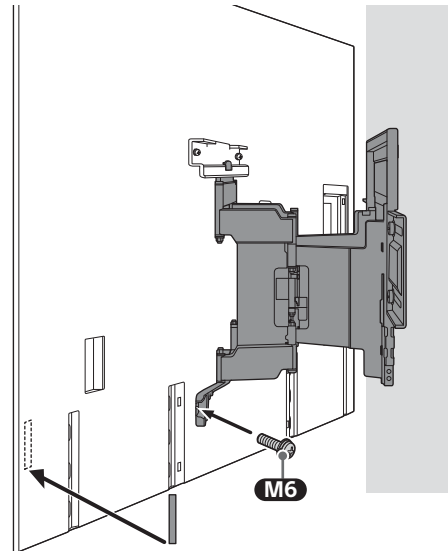
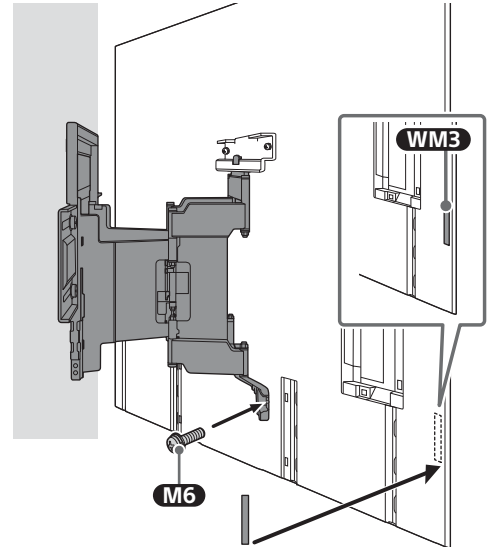
Televizora piestiprināšana pie sienas

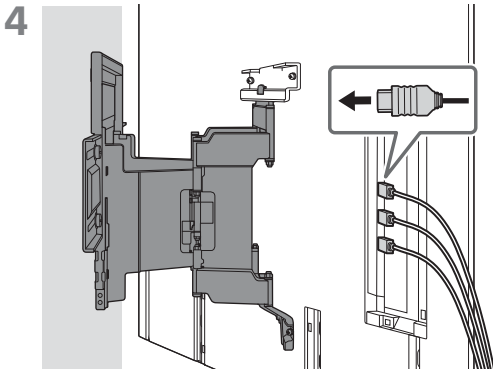


3 Pieskrūvējiet kronšteina montāžai pie sienas labo un kreiso pusi, izmantojot **M6**, un piestipriniet **WM3**.

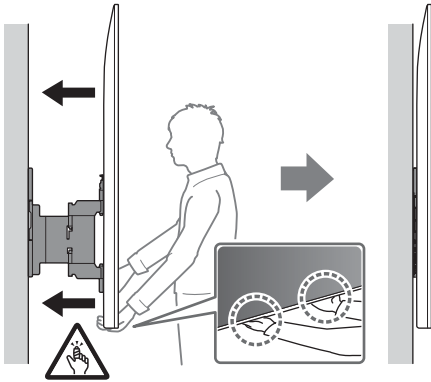
Piezīme

- Nepiestipriniet **WM3** uz uzlīmēm.



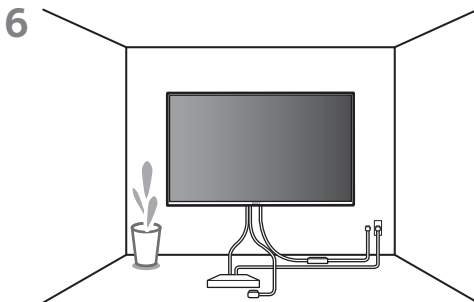


5 Pārvietojot televizoru, cieši satveriet to no apakšas.



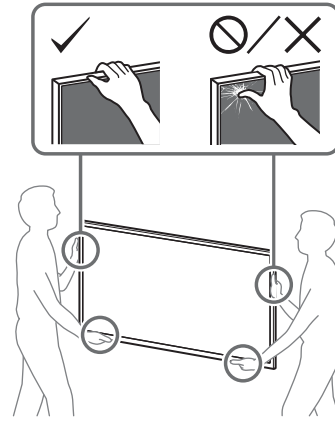
Piezīme

- Atkarībā no pievienoto kabeļu veida un skaita televizoru var nebūt iespējams pārvietot tuvu sienai. Tas nav darbības traucējums.



BRĪDINĀJUMS!

- Liela televizora pārvietošana jāveic diviem vai vairāk cilvēkiem (ja ekrāna diagonāle ir 189,3 cm (75 collas) vai vairāk — trim vai vairāk cilvēkiem) (izņemot Ēģipti). Liela televizora pārvietošana jāveic diviem vai vairāk cilvēkiem (ja ekrāna diagonāle ir 75 collas (189,3 cm) vai vairāk — trim vai vairāk cilvēkiem) (tikai Ēģipte).



Pārliecinieties, vai uzstādīšana veiksmīgi pabeigta

Pārliecinieties par tālāko.

- Vads un kabelis nav savērpts vai saspiests.

BRĪDINĀJUMS!

- Ja maiņstrāvas vads tiek novietots nepareizi, var rasties īssavienojums, kas var izraisīt aizdegšanos vai strāvas triecienu. Drošības labad noteikti pārliecinieties, vai uzstādīšana paveikta pareizi.

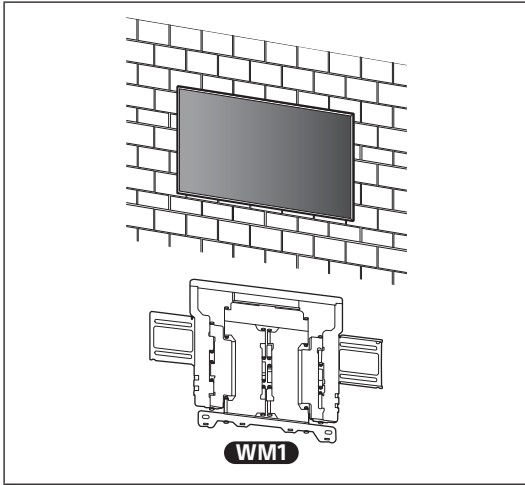
Cita informācija

Noņemot televizoru, veiciet uzstādīšanas darbības pretējā secībā.

BRĪDINĀJUMS!

- Liela televizora pārvietošana jāveic diviem vai vairāk cilvēkiem (ja ekrāna diagonāle ir 189,3 cm (75 collas) vai vairāk — trim vai vairāk cilvēkiem) (izņemot Ēģipti). Liela televizora pārvietošana jāveic diviem vai vairāk cilvēkiem (ja ekrāna diagonāle ir 75 collas (189,3 cm) vai vairāk — trim vai vairāk cilvēkiem) (tikai Ēģipte).

B Kronšteina montāžai pie sienas nostiprināšana pie lieta betona vai betona blokiem



Kronšteina montāžai pie sienas uzstādīšana

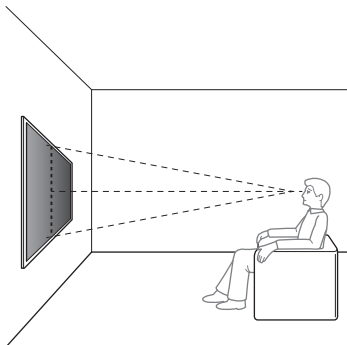
1 Izvēlieties uzstādīšanas vietu.

Pārbaudiet, vai siena ir pietiekami liela un spēj noturēt svaru, kas vienāds ar vismaz seškāršu televizora svaru.

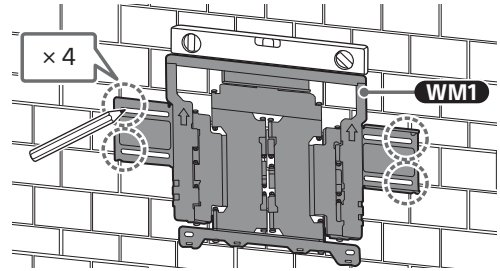
- Skatīt "Kronšteina montāžai pie sienas uzstādīšanas izmēri" 18. lpp.
- Televizora svaru skatiet televizora atsauces ceļvedī.

Piezīme

- Pēc televizora uzstādīšanas pie sienas tā augšējā daļa nedaudz sasveras uz priekšu.
- Mēs iesakām pārbaudīt televizora novietojumu paredzētajā skatīšanās vidē.



2 Pielieciet WM1 pie sienas un iezīmējiet četrās vietās.

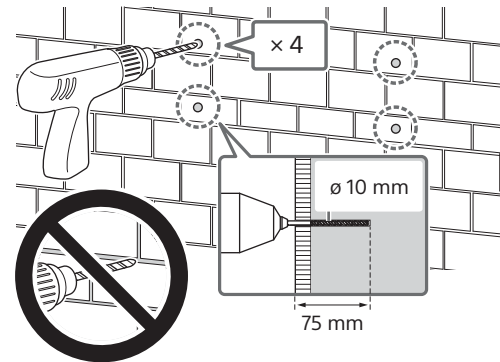


Piezīme

- Izmantojiet līmeņrādi, lai pārļiecinātos, vai WM1 ir uzstādīts taisni.

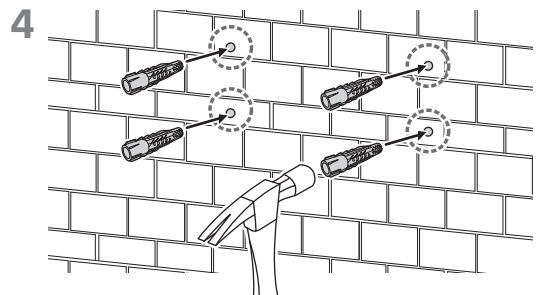
3 Atzīmju vietās izurbiet caurumus.

Pārļiecinieties, ka vieta uz sienas, kur tiks urbtas atveres, ir pietiekami izturīga, lai spētu izturēt vismaz seškārtīgu televizora svaru.

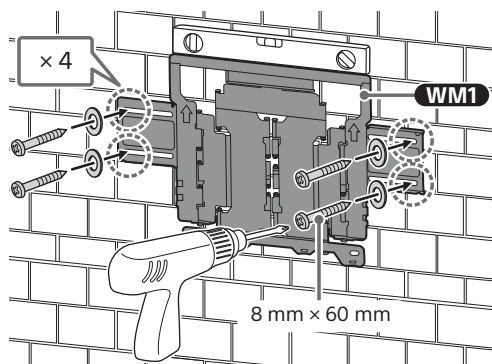


Piezīme

- Palīgurbumi jāveic 75 mm dziļumā, izmantojot 10 mm diametra urbi.



- 5 Nostipriniet **WM1** pie sienas, izmantojot piemērotas skrūves (neietilpst komplektā) un paplāksnes (neietilpst komplektā).



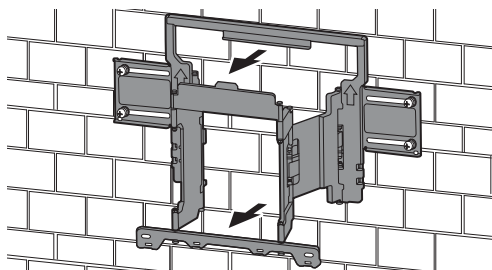
Piezīme

- Izmantojiet līmeņrādi, lai pārliecinātos, vai **WM1** ir uzstādīts taisni.

Brīdinājums

- Nepievelciet koka skrūvi 8 mm x 60 mm pārāk stingri. Neatbilstīga pievilkšana var mazināt koka skrūves 8 mm x 60 mm saturēšanas spēku.

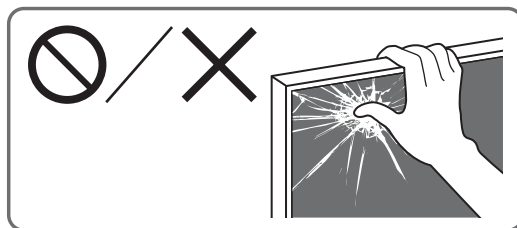
- 6 Izvelciet kronšteina sviru līdz galam.



Sagatavošanās televizora uzstādīšanai

Piezīme

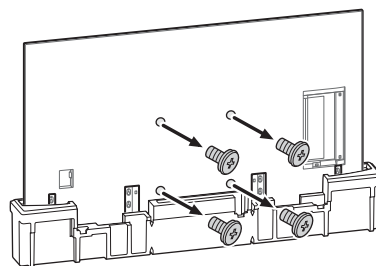
- Izskrūvētās skrūves un neizmantotās daļas noteikti uzglabājiet drošā, bērniem nepieejamā vietā.



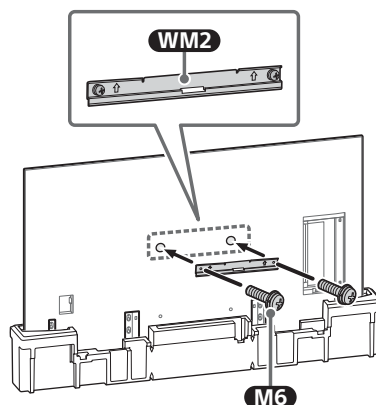
Televizora uzstādīšana pie sienas pēc izņemšanas no iepakojuma*1

*1 Tikai dažiem reģioniem/valstīm/modelļiem.

- 1 Izskrūvējiet televizora aizmugurē esošās skrūves.

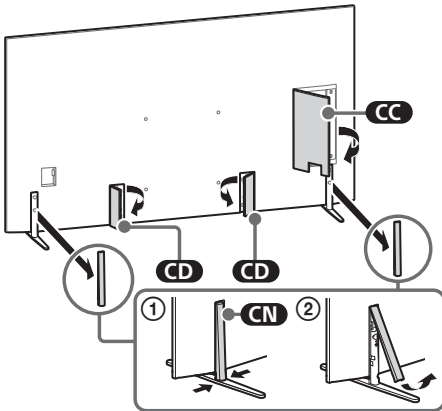


- 2 Nostipriniet **WM2** pie televizora, izmantojot **M6**.

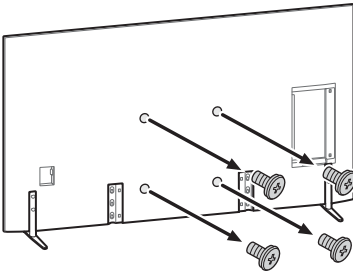


Televizora uzstādīšana pie sienas no galda statīva

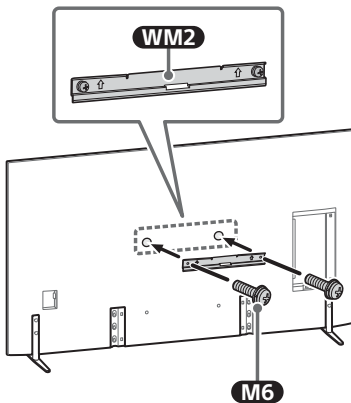
1 Noņemiet statīva pārsepus un terminālu pārsepus.



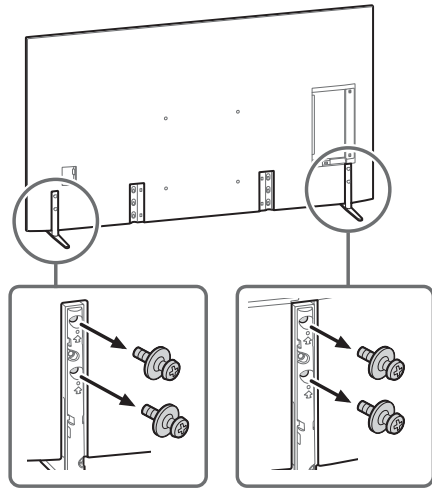
2 Izskrūvējiet televizora aizmugurē esošās skrūves.



3 Nostipriniet **WM2** pie televizora, izmantojot **M6**.



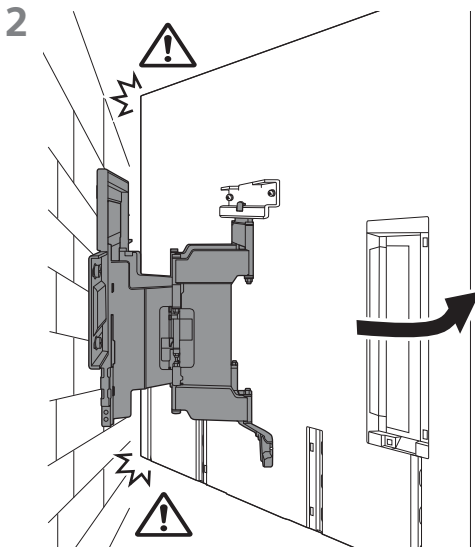
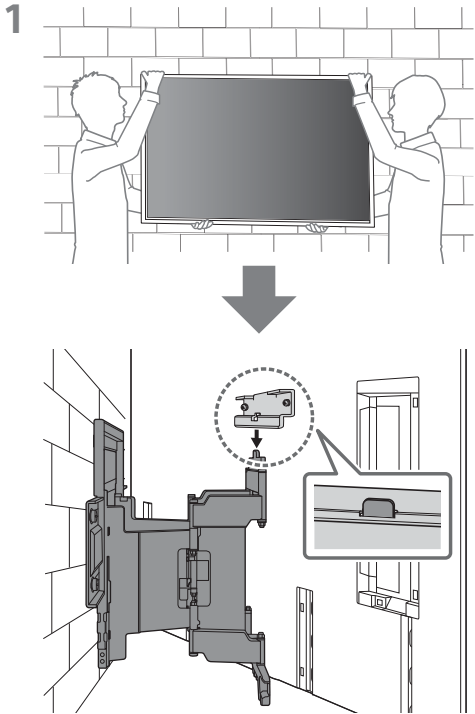
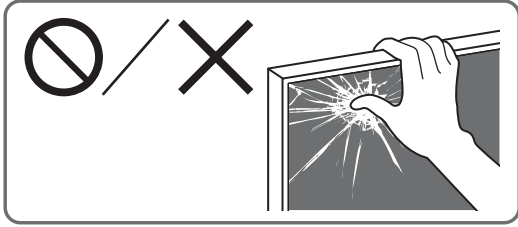
4 Atvienojiet no televizora galda statīvu.



Piezīme

- Ja galda statīvs nav nostiprināts, uzmanieties, ceļot televizoru, jo statīvs var gāzties un radīt traumas.
- Uzmanieties, noņemot televizoram galda statīvu, lai nepieļautu televizora apgāšanos un virsmas, uz kuras balstās televizors, sabojāšanu.

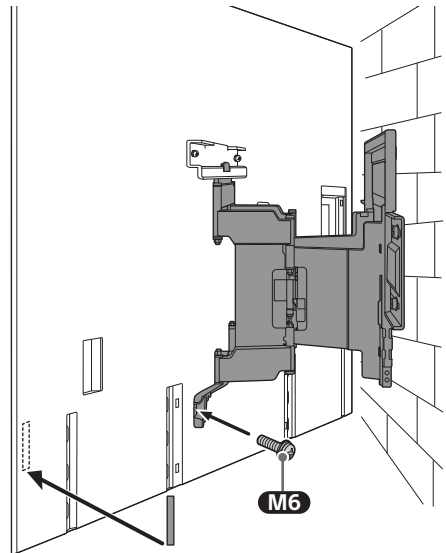
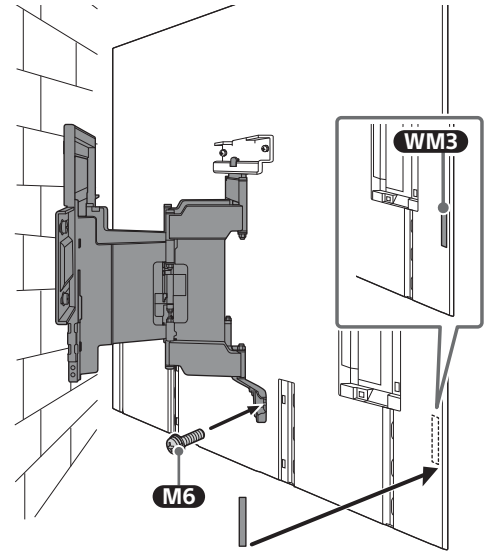
Televizora piestiprināšana pie sienas



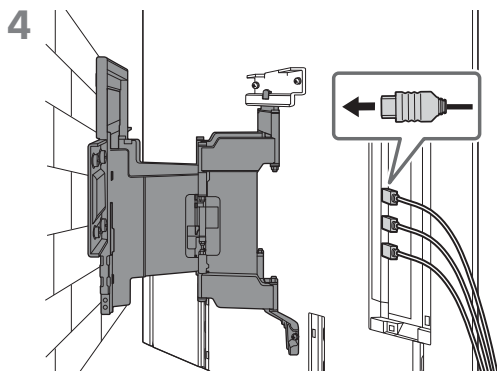
3 Pieskrūvējiet kronšteina montāžai pie sienas labo un kreiso pusi, izmantojot **M6**, un piestipriniet **WM3**.

Piezīme

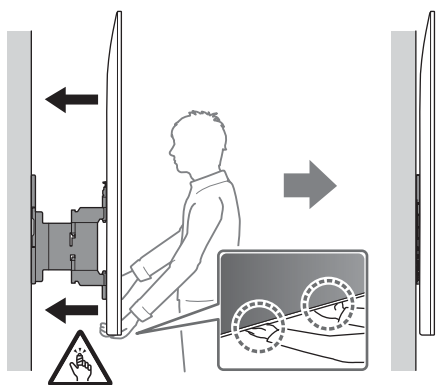
- Nepiestipriniet **WM3** uz uzlīmēm.



LV

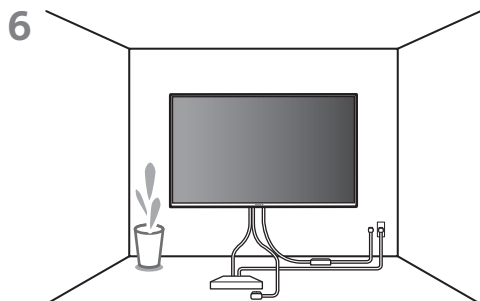


5 Pārvietojot televizoru, cieši satveriet to no apakšas.



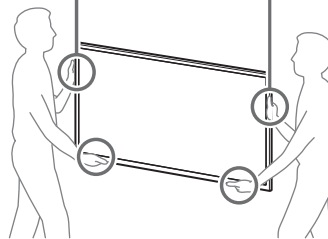
Piezīme

- Atkarībā no pievienoto kabeļu veida un skaita televizoru var nebūt iespējams pārvietot tuvu sienai. Tas nav darbības traucējums.



BRĪDINĀJUMS!

- Liela televizora pārvietošana jāveic diviem vai vairāk cilvēkiem (ja ekrāna diagonāle ir 189,3 cm (75 collas) vai vairāk — trim vai vairāk cilvēkiem) (izņemot Ēģipti). Liela televizora pārvietošana jāveic diviem vai vairāk cilvēkiem (ja ekrāna diagonāle ir 75 collas (189,3 cm) vai vairāk — trim vai vairāk cilvēkiem) (tikai Ēģipte).



Pārliecinieties, vai uzstādīšana veiksmīgi pabeigta

Pārliecinieties par tālāko.

- Vads un kabelis nav savērpts vai saspiests.

BRĪDINĀJUMS!

- Ja maiņstrāvas vads tiek novietots nepareizi, var rasties īssavienojums, kas var izraisīt aizdegšanos vai strāvas triecienu. Drošības labad noteikti pārliecinieties, vai uzstādīšana paveikta pareizi.

Cita informācija

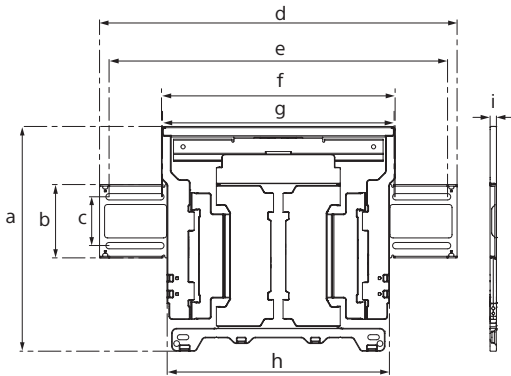
Noņemot televizoru, veiciet uzstādīšanas darbības pretējā secībā.

BRĪDINĀJUMS!

- Liela televizora pārvietošana jāveic diviem vai vairāk cilvēkiem (ja ekrāna diagonāle ir 189,3 cm (75 collas) vai vairāk — trim vai vairāk cilvēkiem) (izņemot Ēģipti). Liela televizora pārvietošana jāveic diviem vai vairāk cilvēkiem (ja ekrāna diagonāle ir 75 collas (189,3 cm) vai vairāk — trim vai vairāk cilvēkiem) (tikai Ēģipte).

Specifikācijas

WM1



Izmēri: (aptuveni) [mm]

a : 354

b : 116

c : 77

d : 563

e : 533

f : 370

g : 368

h : 350

i : 11

Svars (pamatne): (aptuveni) [kg]

3,0

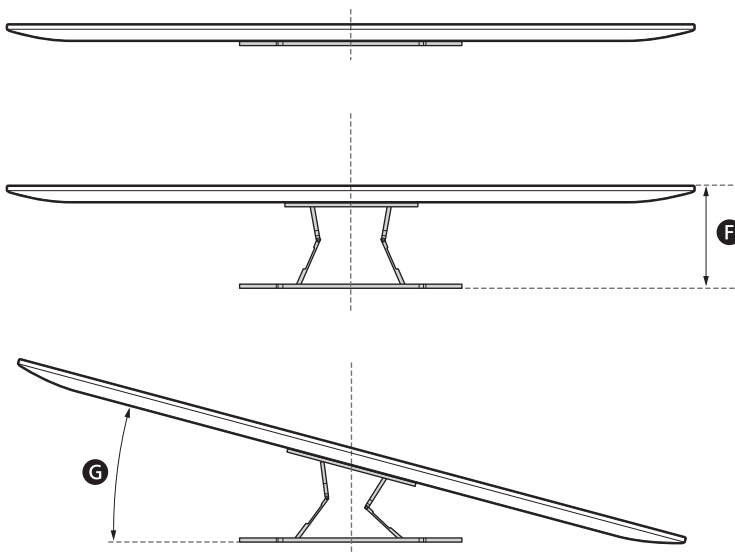
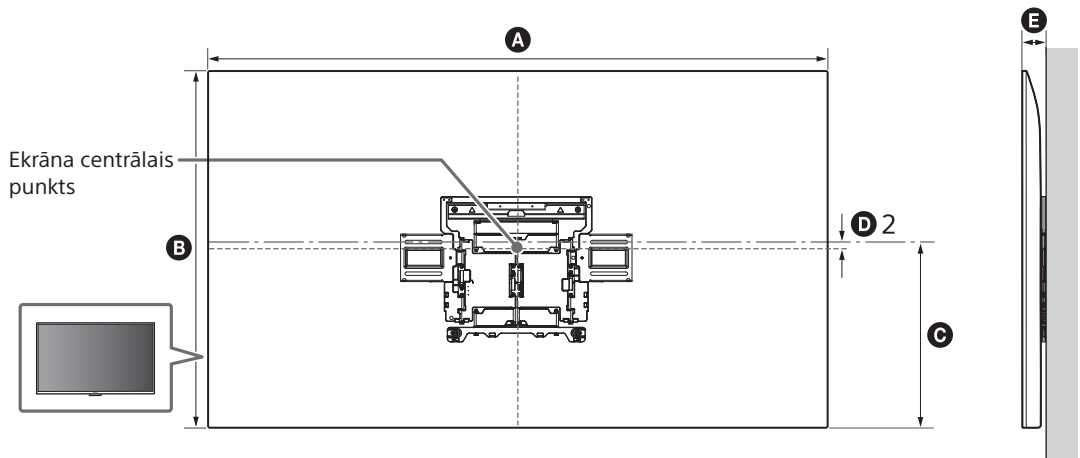
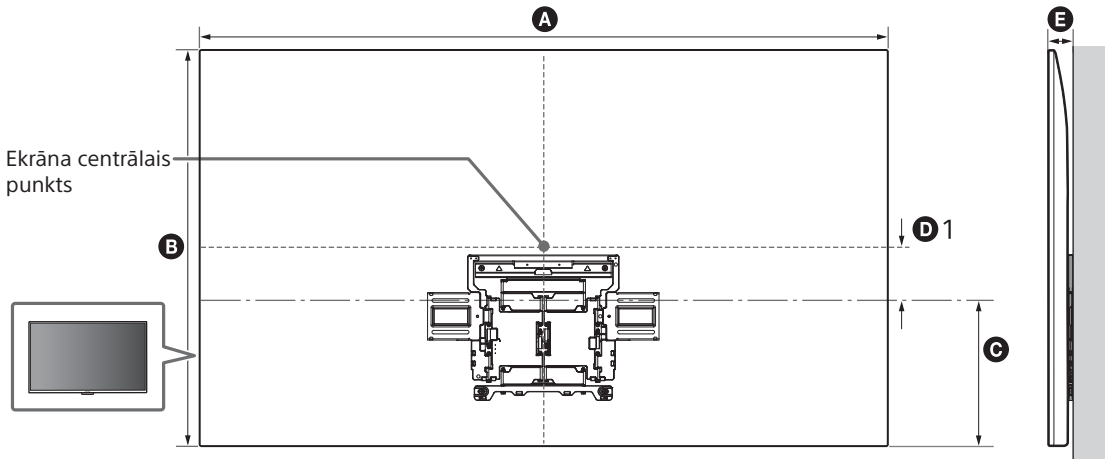
Konstrukcija un specifikācijas var tikt mainītas bez iepriekšēja brīdinājuma.

LV

Atsauces

Kronšteina montāžai pie sienas uzstādīšanas izmēri

Izmēri tabulā var nedaudz mainīties atkarībā no uzstādīšanas.



(mm)

Modeļa nosaukums	A	B	C	D 1	D 2	E	F ^{*1}	G ^{*1} (°)
K-77XR8x	1 713	984	362	139	-	48	251,4	12
K-65XR8x	1 442	829	362	57	-	48	250,8	17
K-55XR8x	1 223	706	362	-	3	48	250,8	19

*1 (Apm.)

Tvirtinimo informacija norint naudoti „Sony“ prie sienos tvirtinamą laikiklį (SU-WL850)

Palaikomi modeliai*1:

*1 Faktinių modelių pavadinimuose „x“/„xx“ rodo konkrečiai kiekvienam modeliui priskiriamus numerius ir (arba) ženklus.

K-77XR8x / 65XR8x / 55XR8x

Pirkėjams

Siekiant apsaugoti gaminį ir užtikrinti saugumą, „Sony“ griežtai rekomenduoja, kad televizorių pritvirtintų „Sony“ prekybos atstovai arba licencijuoti tiekėjai. Nemėginkite jo tvirtinti patys.

„Sony“ prekybos atstovams ir tiekėjams

Tvirtindami šį gaminį, atlikdami jo reguliarią priežiūrą ir patikrinimą, visą dėmesį skirkite saugumui.

Norint pritvirtinti šį gaminį, reikia turėti pakankamai kompetencijos, ypač nustatant, ar siena galės išlaikyti televizoriaus svorį. Pasirūpinkite, kad „Sony“ prekybos atstovai ar licencijuoti tiekėjai pritvirtintų šį gaminį prie sienos. Tvirtinant pakankamas dėmesys turi būti skirtas saugumui. „Sony“ nėra atsakinga už jokią žalą ar sužalojimus, kilusius dėl netinkamo pernešimo ar montavimo.

Kad saugiai ir tinkamai sumontuotumėte, vadovaukitės prie sienos tvirtinamo laikiklio instrukcijomis, televizoriaus nustatymo vadovu ir šio vadovo nurodymais.

Prie sienos tvirtinamas laikiklis

Sauga

Dėkojame, kad įsigijote šį gaminį.

Pirkėjams

TV montavimas prie sienos



ĮSPĖJIMAS

PRIVALO SUMONTUOTI SPECIALISTAS

Šis gaminį privalo įrengti tik profesionalus montuotojas, išmokytas nustatyti, ar siena yra pakankamai stipri, kad išlaikytų televizoriaus svorį. Jei montuojant televizorius nebus tinkamai pritvirtintas, jis gali nukristi ir sunkiai sužeisti. „Sony“ neatsako už žalą ar traumą, kilusią netinkamai elgiantis, netinkamai sumontavus ar sumontavus kitą nei nurodytas gaminyje. Jūsų teisėms pagal įstatymą (jei tokių yra) tai įtakos neturi.

„Sony“ prekybos atstovams

Norint sumontuoti šį gaminį, reikia turėti pakankamai kompetencijos. Atidžiai perskaitykite šią naudojimo instrukciją, kad montavimo darbus atliktumėte saugiai. „Sony“ nėra atsakinga už jokią žalą ar sužalojimus, kilusius dėl neteisingo pernešimo ar montavimo. Baigę montavimo darbus atiduokite šį vadovą pirkėjui.

Šioje naudojimo instrukcijoje rodoma, kaip teisingai elgtis su gaminiu, ir pateikiamos svarbios atsargumo priemonės, kurių reikia laikytis, kad būtų išvengta nelaimingų atsitikimų. Jūs privalote perskaityti ir gerai suprasti visas šiose naudojimo instrukcijose pateiktas nurodymus bei jų laikytis. To nepadarius, galima sunkiai susižeisti arba sugadinti turtą, tada garantija gali negaloti. Pasilikite šį vadovą, kad galėtumėte jį peržiūrėti ateityje.

„Sony“ gaminiai sukurti galvojant apie saugą. Jei gaminiai naudojami neteisingai, gali kilti gaisras, galima patirti elektros smūgį, gaminyje gali nuvirsti ar užkristi ir taip rimtai sužaloti. Laikykites atsargumo priemonių dėl saugos, kad išvengtumėte tokių nelaimingų atsitikimų.

Pagaminta Kinijoje

DĖMESIO

Tinkami gaminiai

Šis prie sienos tvirtinamas laikiklis skirtas tam tikriems TV. Norėdami patikrinti, su kuriais TV galima naudoti prie sienos tvirtinamą laikiklį, žr. trumpąjį vadovą.

Pirkėjams

ĮSPĖJIMAS

Nesilaikant toliau pateiktų atsargumo priemonių, gali kilti gaisras, galima patirti elektros smūgį, arba gaminyje gali nukristi – dėl to galima rimtai susižaloti ar net žūti.

Pasirūpinkite, kad montavimo darbus atliktų licencijuoti tiekėjai, o montavimo metu neleiskite arti būti mažiems vaikams.

Jei prie sienos tvirtinamas laikiklis arba TV, sumontuoti netinkamai, gali įvykti toliau nurodyti nelaimingi atsitikimai. Įsitikinkite, kad montavimo darbus atlieka licencijuoti tiekėjai.

- TV gali nukristi ir rimtai sužaloti. Galite patirti sumušimų arba lūžių.
- Jeigu siena, ant kurios montuojamas prie sienos tvirtinamas laikiklis, yra nestabili, nelygi ar nestatmena grindims, įrenginys gali nukristi ir sužaloti arba sugadinti turtą. Sieną turi atlaikyti bent šešis kartus didesnį svorį, nei sveria televizorius. (Norėdami sužinoti TV svorį, žr. jo trumpąjį vadovą.)
- Jeigu prie sienos tvirtinamas laikiklis bus sumontuotas nepakankamai tvirtai, įrenginys gali nukristi ir sužaloti arba sugadinti turtą.

TV pernešimo ar išėmimo darbus patikėkite licencijuotiems tiekėjams.

Jei TV transportavimo ar išėmimo darbus atlieka ne licencijuoti tiekėjai, jis gali nukristi ir sužaloti arba sugadinti turtą. Dideliam televizoriaus komplektui gabenoti reikia dviejų ar daugiau žmonių (trių ar daugiau žmonių reiktų gabenant 189,3 cm (75 colių) ar didesnį televizorių) (išskyrus Egiptą). Dideliam televizoriaus komplektui gabenoti reikia dviejų ar daugiau žmonių (trių ar daugiau žmonių reiktų gabenant 75 colių (189,3 cm) ar didesnį televizorių) (tik Egiptui).

Sumontavę TV, neišsukite sraigtų ar kt. dalių.

Jei tai padarysite, TV gali nukristi ir sužaloti arba sugadinti turtą.

Nekeiskite prie sienos tvirtinamo laikiklio dalių.

Jei tai padarysite, prie sienos tvirtinamas laikiklis gali nukristi ir sužaloti arba sugadinti turtą.

Nemontuokite kitos įrangos, išskyrus nurodytą gaminį.

Šis prie sienos tvirtinamas laikiklis skirtas naudoti tik su nurodytu gaminiu. Jeigu montuosite kitą, nei nurodytą, įrangą, ji gali nukristi arba lūžti, todėl sužaloti arba sugadinti turtą.

Prie sienos tvirtinamo laikiklio neapkraukite didesne nei TV apkrova. Nekratykite TV kairėn / dešinėn arba aukštyn / žemyn.

Jei tai padarysite, TV gali nukristi ir sužaloti arba sugadinti turtą.

Nesilenkite ir nesikabinkite ant TV.

Nesilenkite ir nesikabinkite ant TV, nes jis gali ant jūsų užkristi ir rimtai sužaloti.

DĖMESIO

Nesilaikant toliau nurodytų atsargumo priemonių, galima susižaloti arba sugadinti turtą.

- Saugokitės, kad laikydami prie sienos tvirtinamą laikiklį arba sukdami televizorių neprisispaustumėte pirštų.
- Elkitės atsargiai pasukdami televizorių, kad neužkliudytumėte šalia esančių žmonių.
- Nepanaudotas dalis būtinai laikykite saugioje vietoje ateičiai. Laikykite jas vaikams nepasiekiamoje vietoje.

Valydami gaminį ar atlikdami jo techninę priežiūrą, neveikite jo per didelę jėgą.

Nespauskite TV iš viršaus per stipriai. Jei tai padarysite, TV gali nukristi ir sužaloti arba sugadinti turtą.

Laikykite šį gaminį atokiai nuo medicinos prietaisų.

Šio gaminio (įskaitant priedus) viduje yra magnetų, kurie gali trikdyti širdies stimuliatorių, programuojamųjų šunto vožtuvų (galvos smegenų vandenei gydyti) arba kitų medicinos prietaisų veikimą. Laikykite šį gaminį atokiai nuo asmenų, naudojančių tokius medicinos prietaisus. Jei naudojate tokį medicininį įrenginį, prieš naudodami šį gaminį pasitarkite su gydytoju.

Laikykite vaikams arba prižiūrimiems suaugusiems nepasiekiamoje vietoje.

Šio gaminio (įskaitant priedus) viduje yra magnetų. Prarijus magnetą (-us), gali kilti didelis pavojus, pvz., užspringti arba sužaloti žarnas, todėl prarijus magnetą (-ų) būtina nedelsiant kreiptis į gydytoją.

Atsargumo priemonės

- Jei TV, sumontuotą ant sienos tvirtinamo laikiklio, naudosite ilgą laiką, siena už TV ar virš jo gali nublukti, arba tapetai gali atsiklijuoti, priklausomai nuo to, iš kokių medžiagų pastatyta siena.
- Nuėmus prisuktą prie sienos tvirtinamą laikiklį, sienoje liks sraigų padarytos skylės.
- Nenaudokite prie sienos tvirtinamo laikiklio tokiose vietose, kur jį veiktų mechaninė vibracija.

Prie sienos tvirtinamo laikiklio montavimas

„Sony“ prekybos atstovams

ĮSPĖJIMAS

Toliau nurodytos instrukcijos skirtos tik „Sony“ tiekėjams. Perskaitykite pirmiau pateiktas atsargumo priemones ir montuodami, eksploatuodami bei tikrindami šį gaminį ypatingą dėmesį skirkite saugai.

Nemontuokite prie sienos tvirtinamo laikiklio ant sienos tokioje vietoje, kur TV kampai arba šonai išsikištų už sienos paviršiaus.

Nemontuokite prie sienos tvirtinamo laikiklio ant kolonų ar panašių paviršių, kur TV kampai arba šonai išsikištų už sienos paviršiaus. Jei asmuo ar objektas užkliūna išsikišusį TV kampą ar šoną, šis gali sužaloti arba sugadinti turą.

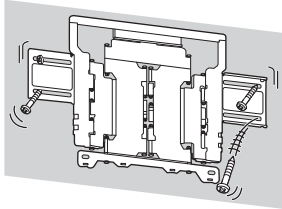


Nemontuokite TV virš oro kondicionieriaus arba po juo.

Jei ant TV laša vanduo arba jį ilgą laiką veikia oro srautas iš oro kondicionieriaus, gali kilti gaisras, galima patirti elektros smūgį, arba TV gali sugesti.

Pasirūpinkite, kad prie sienos tvirtinamas laikiklis būtų patikimai pritvirtintas prie sienos, laikantis šiose naudojimo instrukcijose pateiktų nurodymų.

Jei kuris nors sraigtas atsilaisvina ar iškrenta, prie sienos tvirtinamas laikiklis gali nukristi ir sužaloti arba sugadinti turą. Saugiai sumontuokite elementą naudodami sienos medžiagai skirtus keturis 8 mm skersmens sraigtus (arba lygiavertius).



Tiekiamus sraigtus ir priedų dalis naudokite tinkamai, laikydamiesi šiose naudojimo instrukcijose pateiktų nurodymų. Jei naudojate pakaitalus, TV gali nukristi ir ką nors sužaloti, arba TV gali būti sugadintas.

Pasirūpinkite, kad laikiklis būtų surinktas tinkamai, vadovaujantis šiose naudojimo instrukcijose pateiktomis procedūromis.

Jei kuris nors sraigtas atsilaisvina ar iškrenta, TV gali nukristi ir ką nors sužaloti, arba TV gali būti sugadintas.

Pasirūpinkite, kad sraigtai būtų patikimai įsukti reikiamose vietose.

Jei to nepadarysite, TV gali nukristi ir ką nors sužaloti, arba TV gali būti sugadintas.

Būkite atsargūs, kad montavimo metu TV nebūtų sutrenktas.

Sutrenkus TV, jis gali nukristi arba perlūžti. Taip galima susižaloti.

Įsitikinkite, kad TV montuosite ant statmenos ir plokščios sienos.

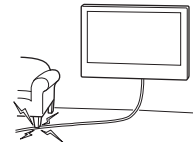
Jei to nepadarysite, TV gali nukristi ir sužaloti.

Teisingai sumontavę TV, tinkamai pritvirtinkite laidus.

Jei žmonės ar objektai įsipainios tarp kabelių, gali būti sužaloti žmonės arba sugadintas TV.

Saugokite, kad KS maitinimo laidas arba jungiamasis kabelis nebūtų suspausti.

Jei KS maitinimo laidas arba jungiamasis kabelis yra prispaustas tarp įrenginio ir sienos arba per jėgą sulenktas ar suspaustas, gali išlįsti vidiniai laidininkai, todėl gali įvykti trumpasis jungimas arba nutrūkti elektros tiekimas. Dėl to gali kilti gaisras, arba galima patirti elektros smūgį.



Sraigtai, kurių reikia prie sienos tvirtinamam laikikliui montuoti prie sienos, neprisidėti.

Montuodami prie sienos tvirtinamą laikiklį, naudokite sienos medžiagai tinkančius sraigtus.

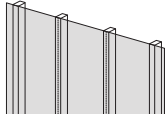
Prieš pradedant darbą

- Šiame vadove pateiktos televizoriaus iliustracijos yra pavyzdžiai, kurie naudojami, kad operacijų atlikimo instrukcijos būtų aiškios. Dėl to iliustracijos gali skirtis nuo jūsų televizoriaus.

Iš ko padaryta jūsų siena?

Pirmiausia išsiaiškinkite, kokio tipo yra siena, ant kurios norite tvirtinti televizorių.

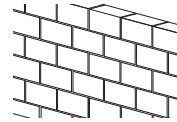
Sausos konstrukcijos siena su profiliais



Atsargumo priemonės

- Didžiausias sienos storis: 16 mm.
- Įsitinkite, kad vidinio medienos profilio dydis yra bent 51 mm × 102 mm (bendrasis) arba 38 mm × 89 mm (vardinis).
- Tarp tvirtinimo detalių palikite mažiausiai 406 mm tarpą horizontalia kryptimi.

Betoninė arba iš betoninių blokelių padaryta siena



Atsargumo priemonės

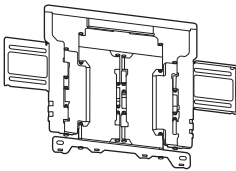



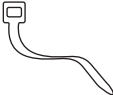
- Prie sienos tvirtinamą laikiklį tvirtinkite tiesiai ant betoninės sienos.
- Įsitinkite, kad betoninės sienos storis yra mažiausiai 203 mm.
- Įsitinkite, kad kiekvieno betoninio blokelių dydis yra mažiausiai 203 mm × 203 mm × 406 mm.

LT

Dalių patikrinimas



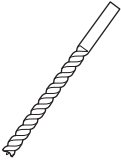
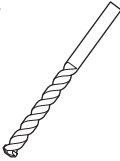
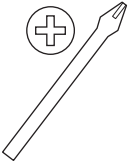
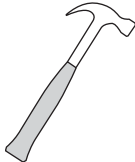
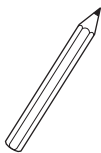

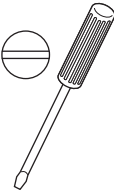
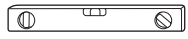


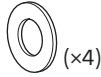
Tiekama kartu su SU-WL850

- Įsitinkite, kad yra visos dalys.

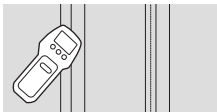
WM1 (x1) 	WM2 (x1) 	WM3 (x4) 
M6 (x4) 	WT1 (x6) 	

Pasiruošimas montuoti

- Prieš montuodami pasidėkite po ranka TV trumpąjį vadovą ir nustatymo vadovą.
- Patikrinkite TV montavimo vietą.
- Pasiruoškite keturis 8 mm skersmens sraigtus ir keturias tinkamas poveržles (parduodamos atskirai). Pasirinkite sienos medžiagai tinkamus sraigtus.
- Pasiruoškite šiuos įrankius:

*1			 5,5 mm	 10 mm		
*2			 1,5 N·m {15 kgf·cm}	*3	 1,5 N·m {15 kgf·cm}	
	*2	 (x4)	*4	 (x4) 8 mm x 60 mm	*4	 (x4)

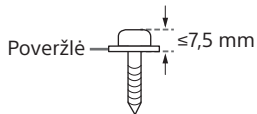
*1 Tik sausos konstrukcijos sienai su profiliais



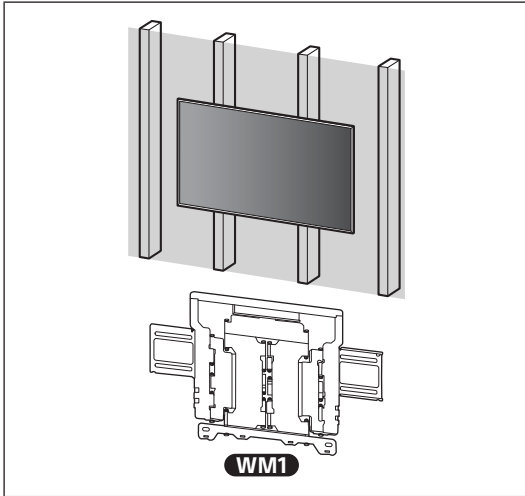
*2 Tik betoninei ar iš betoninių blokelių padarytai sienai

*3 Priklauso nuo modelio

*4 Kruopščiai pasirinkite sraigtus ir poveržles



A Prie sienos tvirtinamo laikiklio montavimas į sausos konstrukcijos sieną su profiliu



Prie sienos tvirtinamo laikiklio montavimas

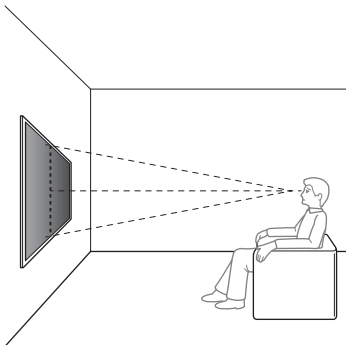
1 Nuspręskite, kurioje vietoje montuosite.

Įsitinkite, ar ant sienos pakanka vietos televizoriui ir ar ji išlaikys svorį, kuris bent šešis kartus didesnis už televizoriaus svorį.

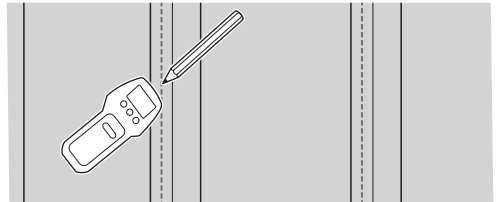
- Žr. skyriaus „Prie sienos tvirtinamo laikiklio instaliacijos ant sienos matavimas“ 18 psl.
- Norėdami sužinoti TV svorį, žr. TV trumpąjį vadovą.

Pastaba

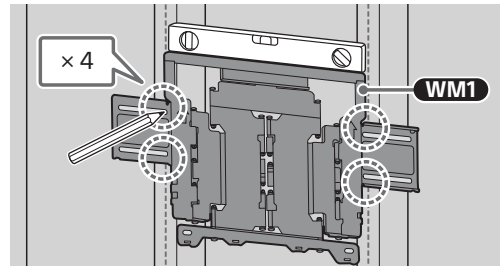
- TV pritvirtinus prie sienos, viršutinė TV dalis šiek tiek pasvyra į priekį.
- Rekomenduojame patikrinti televizoriaus padėtį žiūrėjimo aplinkoje.



2



3 Sulygiuokite WM1 su siena ir keturiose vietose pažymėkite, kur yra profiliai.

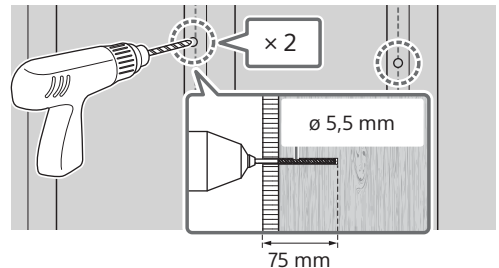


Pastaba

- Gulščiu patikrinkite, ar WM1 yra horizontalus.

4 Ties žymėmis išgręžkite viršutines skyles.

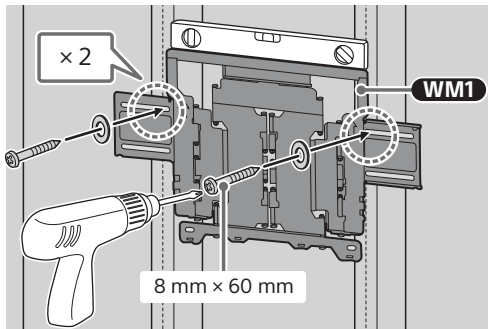
Įsitinkite, ar vieta senoje, kurioje gręšite skyles, galės atlaikyti svorį, bent šešis kartus didesnį už televizoriaus.



Pastaba

- Skyles gręžkite iki 75 mm gylio, naudodami 5,5 mm skersmens grąžtą.

- 5 Tinkamais sraigtais (parduodami atskirai) ir poveržlėmis (parduodamos atskirai), pritvirtinkite **WM1** ant sienos.



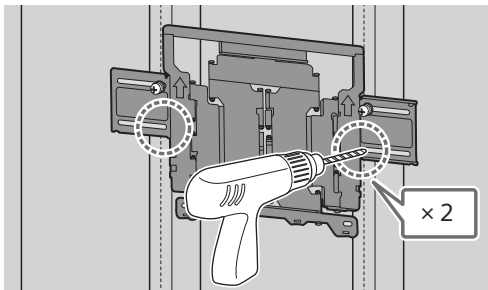
Pastaba

- Gulsčiuku patikrinkite, ar **WM1** yra horizontalus.

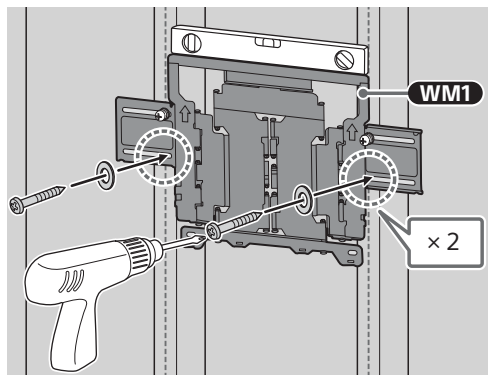
Atsargumo priemonė

- Neperveržkite medsraigčių (8 mm x 60 mm). Netinkamai užveržus, gali sumažėti medsraigčių (8 mm x 60 mm) laikomoji galia.

- 6 Žymių vietoje išgręžkite apatines skylės. (Gręžimo nurodymas pateiktas 4 veiksme.)



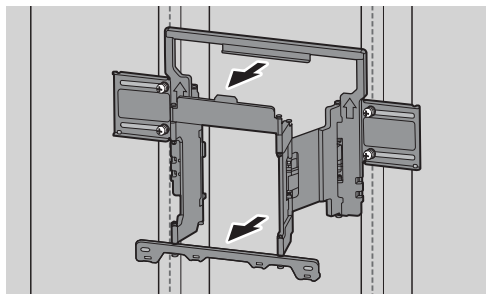
- 7 Į skylės įkiškite tinkamus sraigtus ir poveržles.



Pastaba

- Gulsčiuku patikrinkite, ar **WM1** yra horizontalus.

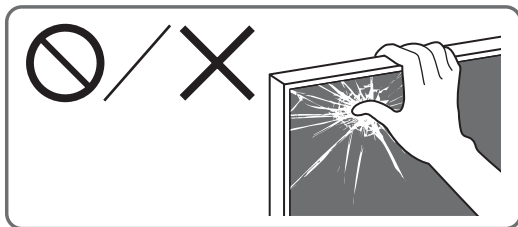
- 8 Iki pat galą ištraukite laikiklio atramą.



Pasiruošimas tvirtinti TV

Pastaba

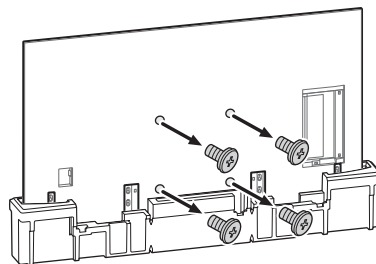
- Nuimtus varžtus ir nenaudojamas dalis padėkite į saugią vietą, nepasiekiamą vaikams.



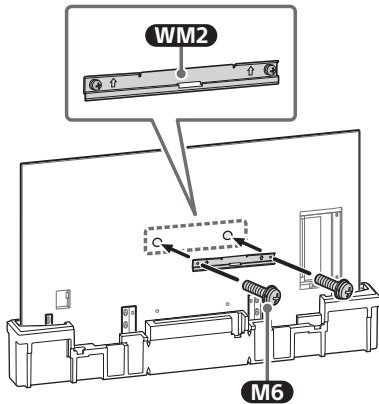
Naujo TV montavimas prie sienos*1

- *1 Tik kai kuriuose regionuose / šalyse / modeliuose.

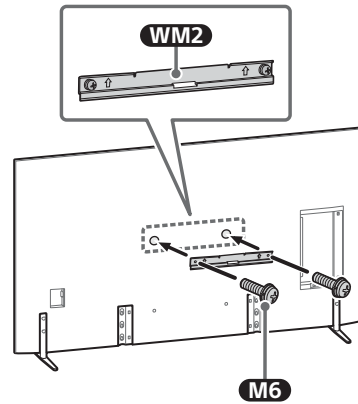
- 1 Išsukite televizoriaus užpakalinėje dalyje esančius varžtus.



2 Naudodami **WM2**, pritvirtinkite **M6** prie televizoriaus.

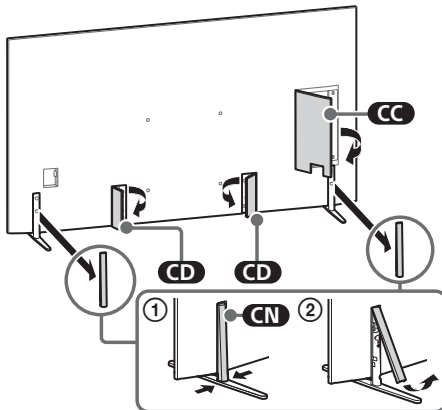


3 Naudodami **WM2**, pritvirtinkite **M6** prie televizoriaus.

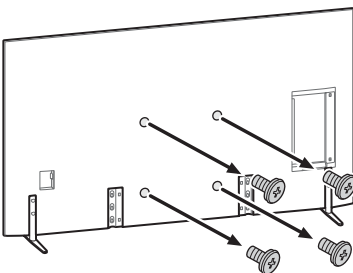


Naujo TV montavimas prie ant stalo pastatomo stovo

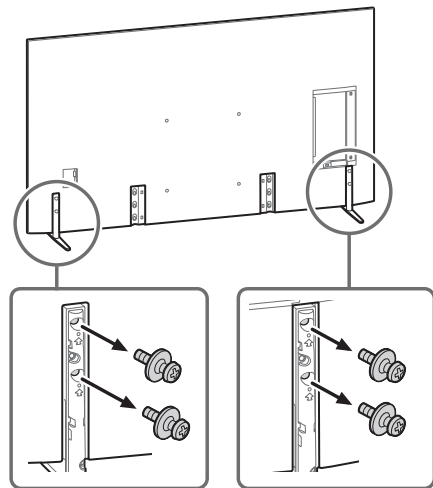
1 Nuimkite stovo dangčius ir jungčių dangtelius.



2 Išukite televizoriaus užpakalinėje dalyje esančius varžtus.



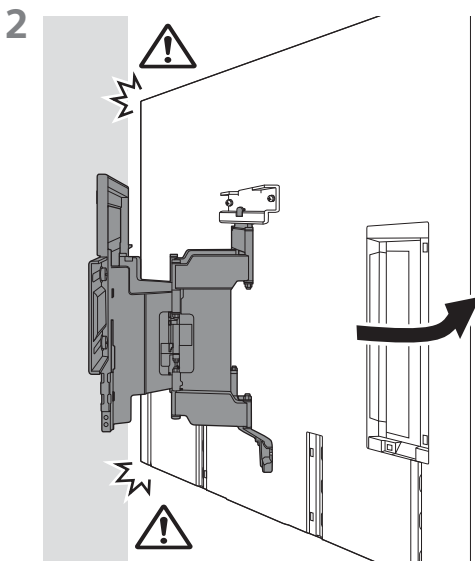
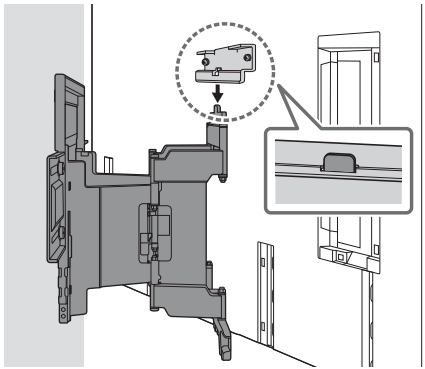
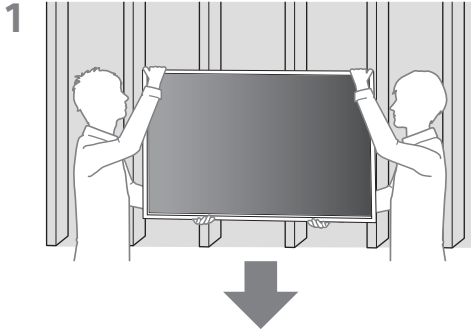
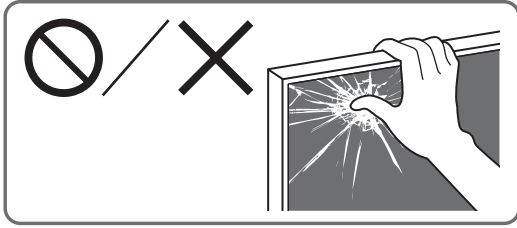
4 Atjunkite ant stalo pastatomą stovą nuo televizoriaus.



Pastaba

- Būkite atsargūs, keldami televizorių, kai atjungiamas ant stalo pastatomas stovas, nes ant stalo pastatomas stovas gali nuvirsti ir sužeisti žmones.
- Atsargiai nuimkite ant stalo pastatomą stovą nuo televizoriaus, kad jis nenuvirstų ir nesugadintų televizoriaus, kuris yra ant jo uždėtas, paviršiaus.

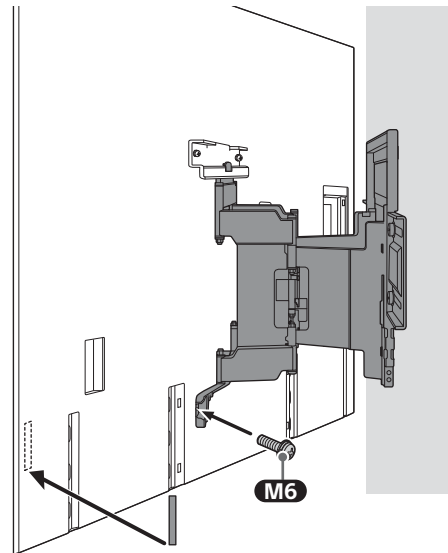
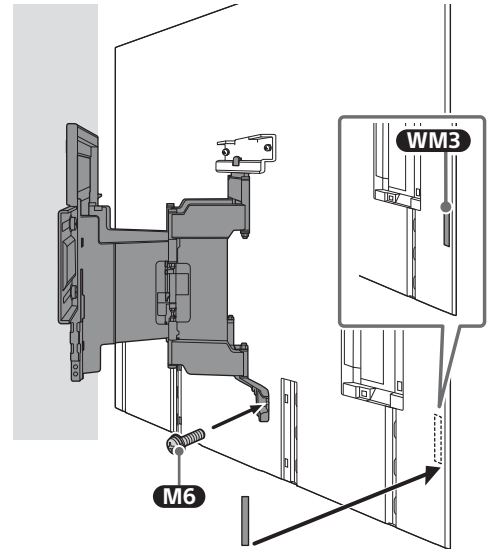
TV tvirtinimas prie sienos

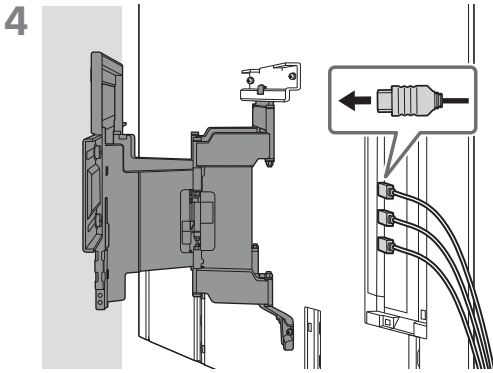


3 Prisukite prie sienos tvirtinamo laikiklio kairiąją ir dešiniąją puses, naudodami **M6**, ir pritvirtinkite **WM3**.

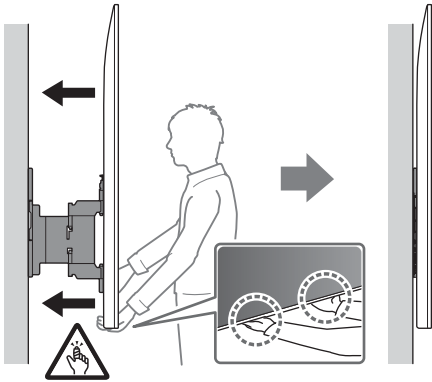
Pastaba

- **WM3** netvirtinkite ant etiketės.



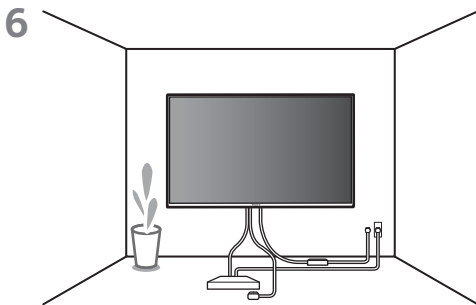


5 Judindami televizorių, tvirtai jį laikykite iš apačios.



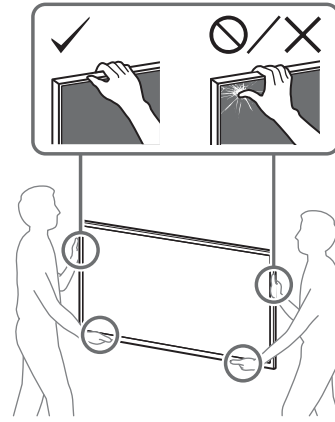
Pastaba

- Priklausomai nuo prijungtų kabelių tipo ir skaičiaus, TV negali priartėti prie sienos. Tai ne gedimas.



ĮSPĖJIMAS

- Dideliam televizoriaus komplektui gabenti reikia dviejų ar daugiau žmonių (trijų ar daugiau žmonių reiktų gabenant 189,3 cm (75 colių) ar didesnį televizorių) (išskyrus Egiptą). Dideliam televizoriaus komplektui gabenti reikia dviejų ar daugiau žmonių (trijų ar daugiau žmonių reiktų gabenant 75 colių (189,3 cm) ar didesnį televizorių) (tik Egiptui).



Montavimo darbų užbaigimo patvirtinimas

Patikrinkite toliau nurodytus dalykus.

- Ar laidai ir kabeliai nėra susisukę ar suspausti.

ĮSPĖJIMAS

- Neteisingai nutiesus KS maitinimo laidą ar kitus kabelius, galima patirti elektros smūgį, įvykus trumpajam jungimui. Dėl saugumo patvirtinkite, kad montavimo darbai baigti.

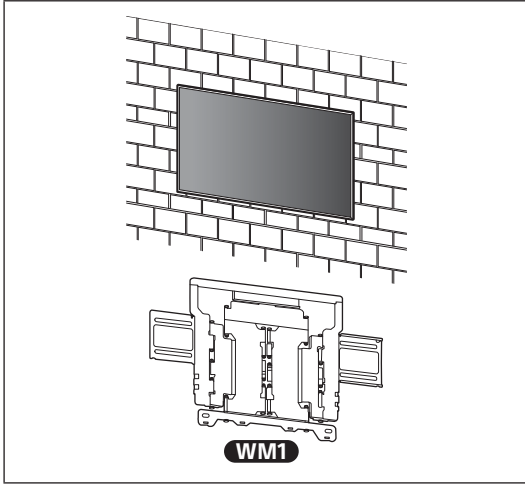
Kita informacija

Nuimdami TV, anksčiau aprašytą procedūrą atlikite atvirkščia tvarka.

ĮSPĖJIMAS

- Dideliam televizoriaus komplektui gabenti reikia dviejų ar daugiau žmonių (trijų ar daugiau žmonių reiktų gabenant 189,3 cm (75 colių) ar didesnį televizorių) (išskyrus Egiptą). Dideliam televizoriaus komplektui gabenti reikia dviejų ar daugiau žmonių (trijų ar daugiau žmonių reiktų gabenant 75 colių (189,3 cm) ar didesnį televizorių) (tik Egiptui).

B Prie sienos tvirtinamo laikiklio tvirtinimas prie betoninės ar iš betoninių blokelių padarytos sienos



Prie sienos tvirtinamo laikiklio montavimas

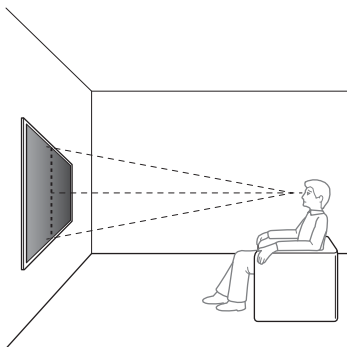
1 Nuspręskite, kurioje vietoje montuosite.

Įsitikinkite, ar ant sienos pakanka vietos televizoriui ir ar ji išlaikys svorį, kuris bent šešis kartus didesnis už televizoriaus svorį.

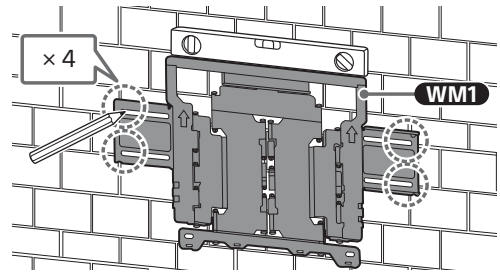
- Žr. skyriaus „Prie sienos tvirtinamo laikiklio instaliacijos ant sienos matavimas“ 18 psl.
- Norėdami sužinoti TV svorį, žr. TV trumpąjį vadovą.

Pastaba

- TV pritvirtinus prie sienos, viršutinė TV dalis šiek tiek pasvyra į priekį.
- Rekomenduojame patikrinti televizoriaus padėties žiūrėjimo aplinkoje.



2 Sulygiuokite WM1 su siena ir pasižymėkite keturiose vietose.

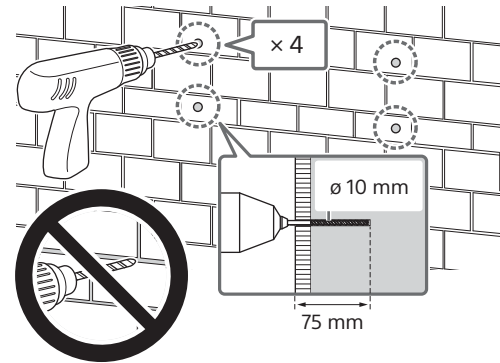


Pastaba

- Gulščiu patikrinkite, ar WM1 yra horizontalus.

3 Išgręžkite kontrolines skylės žymių vietose.

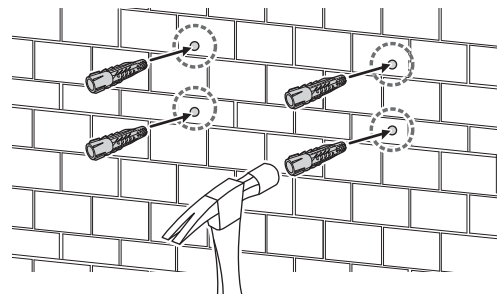
Įsitikinkite, ar vieta sienoje, kurioje gręšite skylės, galės atlaikyti svorį, bent šešis kartus didesnį už televizoriaus.



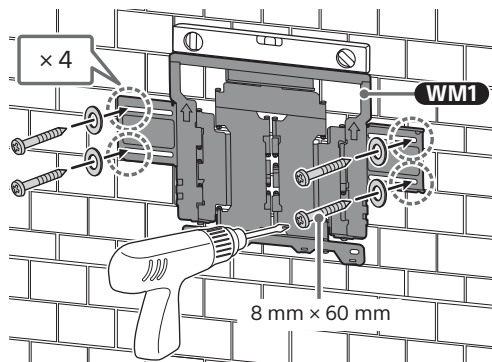
Pastaba

- Skylės gręžkite iki 75 mm gylį, naudodami 10 mm skersmens grąžtą.

4



- 5 Tinkamais sraigtais (parduodami atskirai) ir poveržlėmis (parduodamos atskirai), pritvirtinkite **WM1** ant sienos.



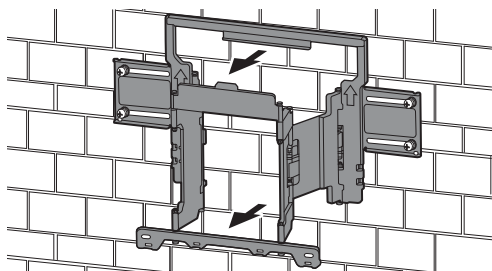
Pastaba

- Gulsčiuku patikrinkite, ar **WM1** yra horizontalus.

Atsargumo priemonė

- Neperveržkite medsraigčių (8 mm x 60 mm). Netinkamai užveržus, gali sumažėti medsraigčių (8 mm x 60 mm) laikomoji galia.

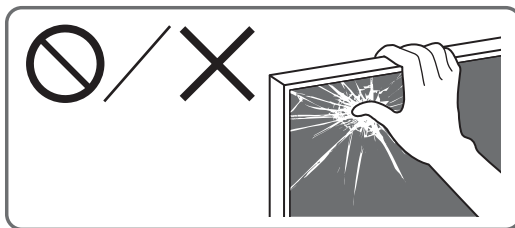
- 6 Iki pat galo ištraukite laikiklio atramą.



Pasiruošimas tvirtinti TV

Pastaba

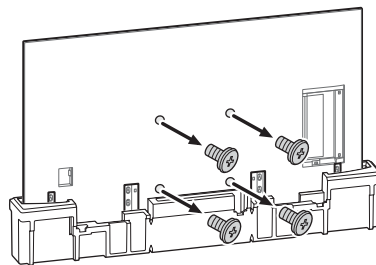
- Nuimtus varžtus ir nenaudojamas dalis padėkite į saugią vietą, nepasiekiamą vaikams.



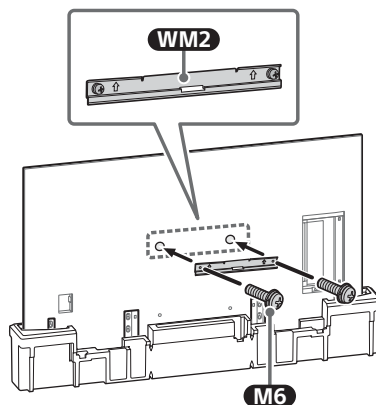
Naujo TV montavimas prie sienos*1

- *1 Tik kai kuriuose regionuose / šalyse / modeliuose.

- 1 Išsukite televizoriaus užpakalinėje dalyje esančius varžtus.

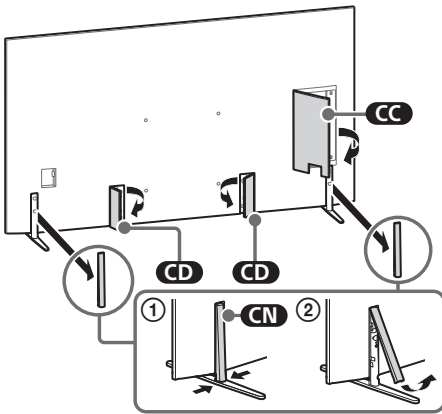


- 2 Naudodami **WM2**, pritvirtinkite **M6** prie televizoriaus.

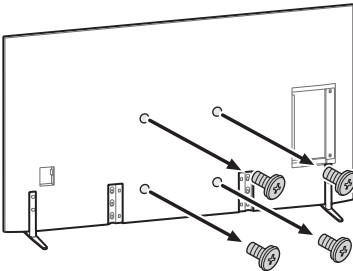


Naujo TV montavimas prie ant stalo pastatomo stovo

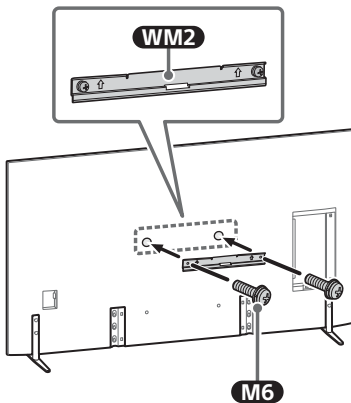
- 1 Nuimkite stovo dangčius ir jungčių dangtelius.



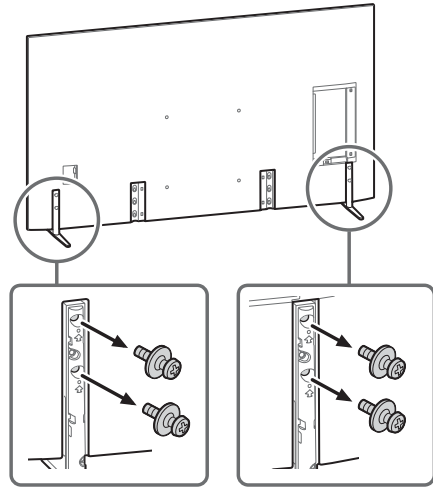
- 2 Išukite televizoriaus užpakalinėje dalyje esančius varžtus.



- 3 Naudodami **WM2**, pritvirtinkite **M6** prie televizoriaus.



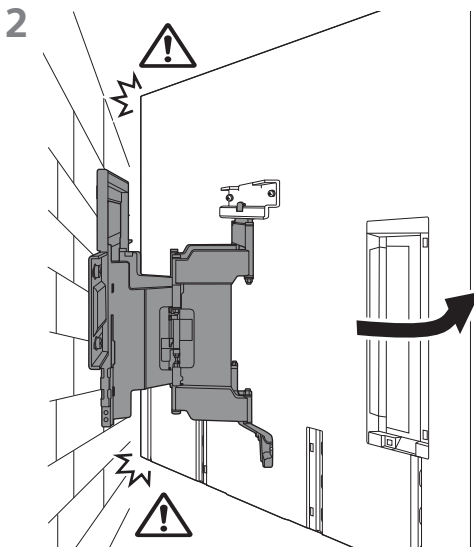
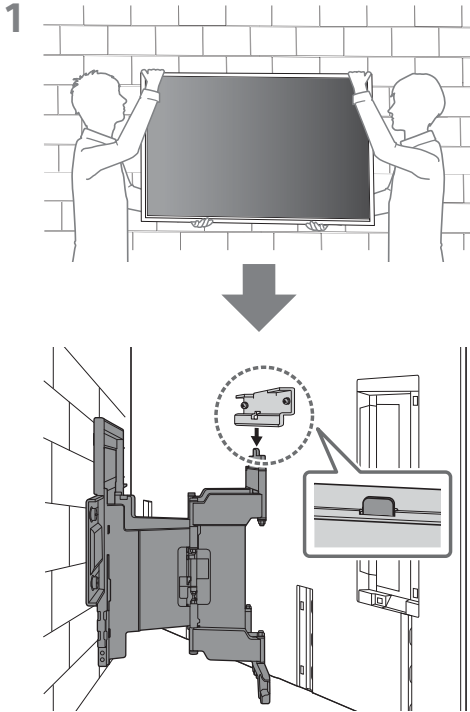
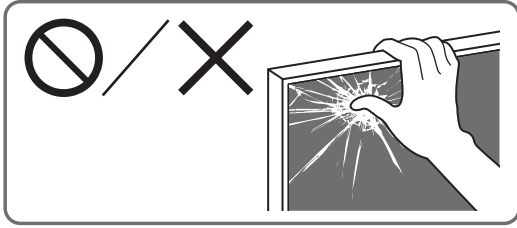
- 4 Atjunkite ant stalo pastatomą stovą nuo televizoriaus.



Pastaba

- Būkite atsargūs, keldami televizorių, kai atjungiamas ant stalo pastatomas stovas, nes ant stalo pastatomas stovas gali nuvirsti ir sužeisti žmones.
- Atsargiai nuimkite ant stalo pastatomą stovą nuo televizoriaus, kad jis nenuvirstų ir nesugadintų televizoriaus, kuris yra ant jo uždėtas, paviršiaus.

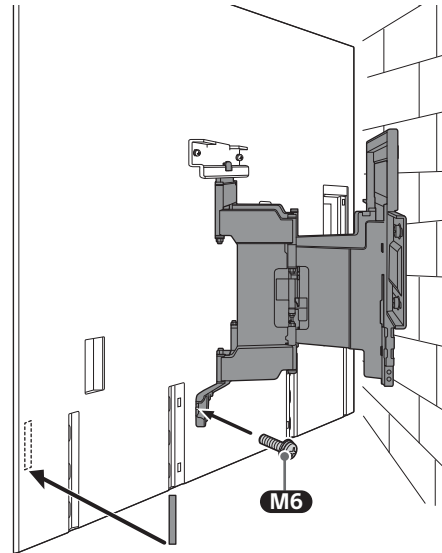
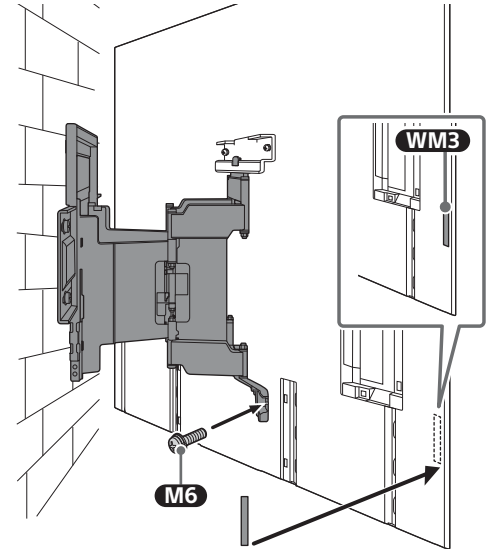
TV tvirtinimas prie sienos



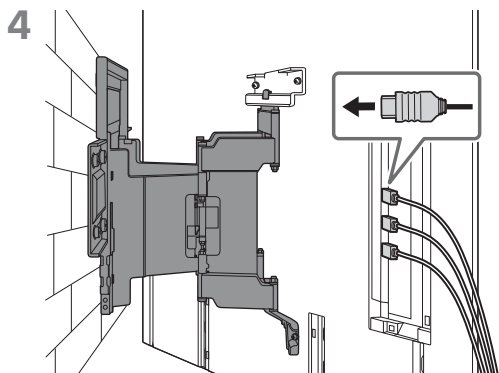
- 3 Prisukite prie sienos tvirtinamo laikiklio kairiąją ir dešiniąją puses, naudodami **M6**, ir pritvirtinkite **WM3**.

Pastaba

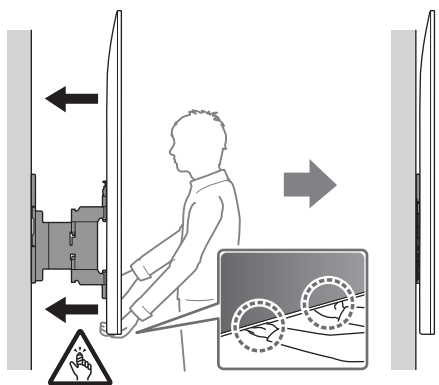
- **WM3** netvirtinkite ant etiketės.



LT

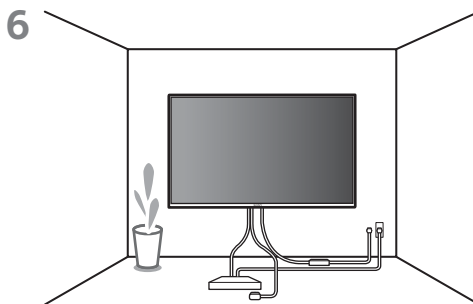


5 Judindami televizorių, tvirtai jį laikykite iš apačios.



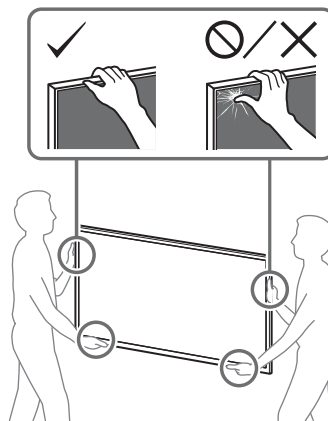
Pastaba

- Priklausomai nuo prijungtų kabelių tipo ir skaičiaus, TV negali priartėti prie sienos. Tai ne gedimas.



ĮSPĖJIMAS

- Dideliam televizoriaus komplektui gabenti reikia dviejų ar daugiau žmonių (trijų ar daugiau žmonių reikėtų gabenant 189,3 cm (75 colių) ar didesnį televizorių) (išskyrus Egiptą). Dideliam televizoriaus komplektui gabenti reikia dviejų ar daugiau žmonių (trijų ar daugiau žmonių reikėtų gabenant 75 colių (189,3 cm) ar didesnį televizorių) (tik Egiptui).



Montavimo darbų užbaigimo patvirtinimas

Patikrinkite toliau nurodytus dalykus.

- Ar laidai ir kabeliai nėra susisukę ar suspausti.

ĮSPĖJIMAS

- Neteisingai nutiesus KS maitinimo laidą ar kitus kabelius, galima patirti elektros smūgį, įvykus trumpajam jungimui. Dėl saugumo patvirtinkite, kad montavimo darbai baigti.

Kita informacija

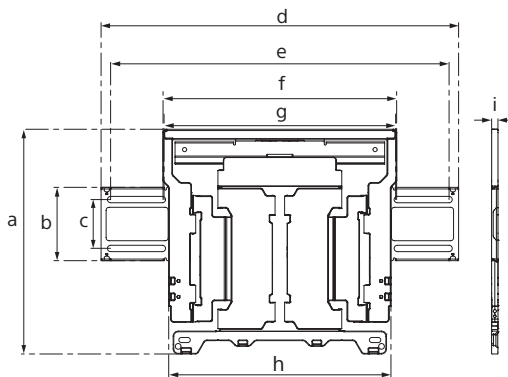
Nuimdami TV, anksčiau aprašytą procedūrą atlikite atvirkščia tvarka.

ĮSPĖJIMAS

- Dideliam televizoriaus komplektui gabenti reikia dviejų ar daugiau žmonių (trijų ar daugiau žmonių reiktų gabenant 189,3 cm (75 colių) ar didesnį televizorių) (išskyrus Egiptą).
Dideliam televizoriaus komplektui gabenti reikia dviejų ar daugiau žmonių (trijų ar daugiau žmonių reiktų gabenant 75 colių (189,3 cm) ar didesnį televizorių) (tik Egiptui).

Techniniai duomenys

WM1



Matmenys: (apytiksliai) [mm]

a : 354

b : 116

c : 77

d : 563

e : 533

f : 370

g : 368

h : 350

i : 11

Svoris (tik pagrindo): (apytiksliai) [kg]

3,0

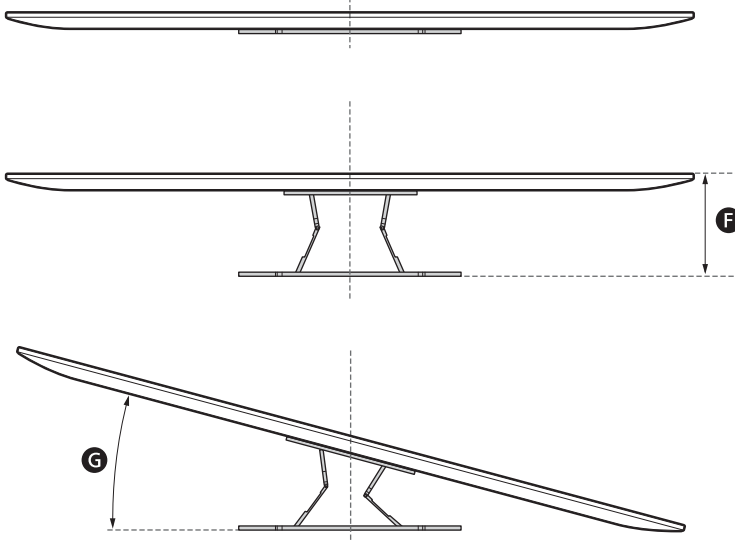
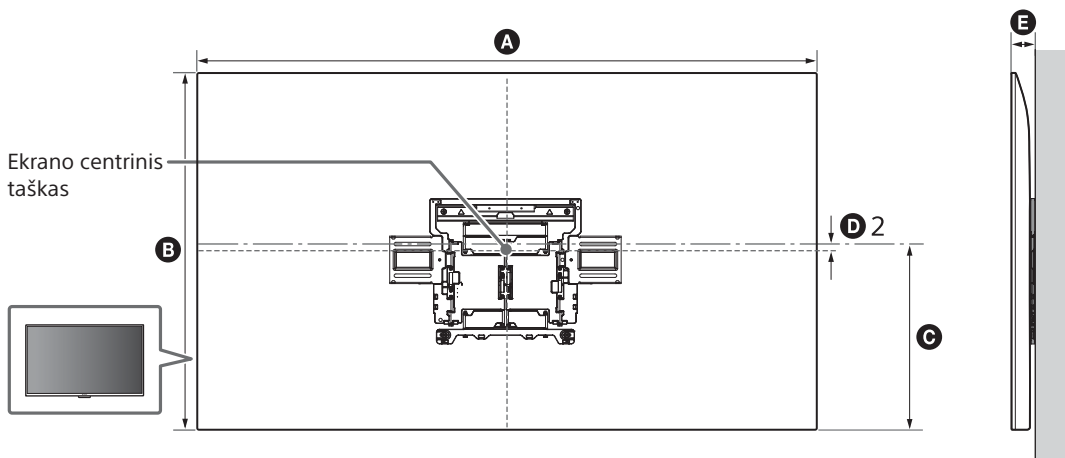
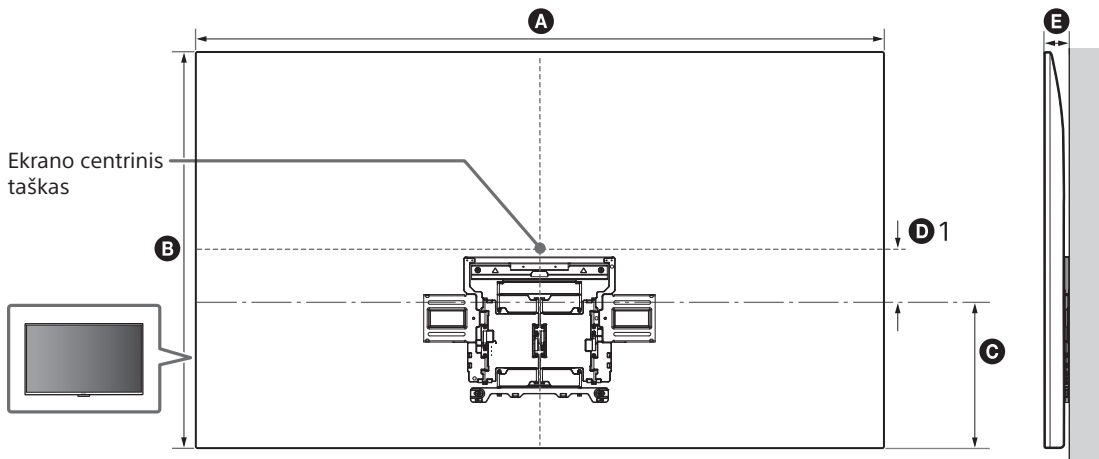
Dizainas ir techniniai duomenys gali būti keičiami be įspėjimo.

LT

Nuorodos

Prie sienos tvirtinamo laikiklio instaliacijos ant sienos matavimas

Atsižvelgiant į montажą, lentelėje nurodyti skaičiai gali šiek tiek skirtis.



(mm)

Modelio pavadinimas	A	B	C	D 1	D 2	E	F ^{*1}	G ^{*1} (°)
K-77XR8x	1 713	984	362	139	-	48	251,4	12
K-65XR8x	1 442	829	362	57	-	48	250,8	17
K-55XR8x	1 223	706	362	-	3	48	250,8	19

*1 (Apytiksliai)

LT

Navodila za uporabo nosilca za stensko montažo Sony (SU-WL850)

Podprti modeli*1:

*1 V imenih dejanskih modelov »x«/»xx« označuje številke in/ali znake, ki veljajo za posamezen model.

K-77XR8x / 65XR8x / 55XR8x

Za kupce

Za namen zaščite izdelka in iz varnostnih razlogov družba Sony močno priporoča, da montažo televizorja prepustite prodajalcem Sony ali pooblaščenim izvajalcem. Montaže ne poskušajte izvesti sami.

Za prodajalce Sony in pooblaščene izvajalce

Pri montaži, rednem vzdrževanju in pregledih tega izdelka bodite izredno pozorni na varnost.

Za montažo tega izdelka potrebujete dovolj znanja, to še posebej velja za določanje nosilnosti stene glede na težo televizorja. Stensko montažo tega izdelka zaupajte prodajalcem Sony ali pooblaščenim izvajalcem, med samo montažo pa bodite posebej pozorni na varnost. Družba Sony ne odgovarja za nobeno škodo ali poškodbo, ki je posledica malomarnega ravnanja ali nepravilne montaže.

Zaradi varnosti in ustrezne montaže sledite Navodilom za uporabo nosilca za stensko montažo, Priročniku za pripravo televizorja in napotkom v teh navodilih.

Nosilec za stensko montažo

O varnosti

Zahvaljujemo se vam za nakup tega izdelka.

Za kupce

Vgradnja televizorja na steno



OPOZORILO

MONTAŽO NAJ IZVEDE USPOSOBLJENO OSEBE

Montažo tega izdelka lahko izvede samo oseba, ki je ustrezno usposobljena za določanje nosilnosti zidu za težo televizorja. Če televizor ni ustrezno zavarovan med izvajanjem montaže, lahko pade in povzroči resne poškodbe. Družba Sony ni odgovorna za nobeno škodo ali poškodbo, ki so posledica neustreznega rokovanja ali neustreznega montaže ali montaže izdelkov, ki niso navedeni tukaj. To ne vpliva na vaše (morebitne) pravice, ki jih imate kot potrošnik.

Za prodajalce Sony

Za vgradnjo tega izdelka potrebujete dovolj znanja. Obvezno temeljito preberite ta priročnik za vgradnjo, da boste lahko varno opravili vgradnjo. Podjetje Sony ne prevzema odgovornosti za kakršno koli škodo ali telesne poškodbe, ki nastale zaradi nepravilnega ravnanja ali vgradnje. Po vgradnji dajte ta priročnik kupcu.

Ta priročnik z navodili opisuje pravilno ravnanje z izdelkom in daje pomembna varnostna navodila za preprečevanje nesreč. Sami ste odgovorni, da pozorno preberete in v celoti razumete ter upoštevate vsa navodila v teh navodilih za uporabo. V nasprotnem primeru lahko pride do resnih telesnih poškodb ali škode na lastnini, zaradi česar lahko pride do izničenja garancije. Ta priročnik shranite za uporabo v prihodnje.

Izdelki Sony so razviti tako, da so varni. Vseeno pa lahko pri nepravilni uporabi izdelkov pride do hudih telesnih poškodb zaradi požara, električnega udara, prevračanja izdelka ali padca izdelka. Za preprečevanje takih nesreč obvezno upoštevajte varnostna navodila.

POZOR

Predpisani izdelki

Ta nosilec za stensko montažo je namenjen za uporabo s predpisanimi televizorji. Pri televizorjih glejte Referenčni priročnik, da vidite, ali lahko uporabljate nosilec za stensko montažo.

Za kupce

OPOZORILO

Če ne upoštevate naslednjih varnostnih navodil, lahko pride do hudih telesnih poškodb ali smrti zaradi požara, električnega udara ali padca izdelka.

Vgradnjo prepustite pooblaščenim izvajalcem in pri tem pazite, da v bližini ni majhnih otrok.

Če nosilec za stensko montažo ali televizor nista pravilno vgrajena, lahko pride do naslednjih nesreč. Poskrbite, da vgradnjo opravijo pooblaščeni izvajalci.

- Televizor lahko pade in povzroči hudo telesno poškodbo, na primer podplutbo ali zlom.
- Če je stena, na katero je vgrajen nosilec za stensko montažo, nestabilna, neravna ali nepravokotna na tla, lahko enota pade in povzroči telesne poškodbe ali materialno škodo. Stena mora imeti zadostno nosilnost za vsaj šestkratno težo televizorja. (Za težo televizorja glejte njegov Referenčni priročnik.)
- Če vgradnja nosilca za stensko montažo ni dovolj trdna, lahko enota pade in povzroči telesne poškodbe ali materialno škodo.

Selitev ali snemanje televizorja prepustite pooblaščenim izvajalcem.

Če televizor prevažajo ali snemajo osebe, ki niso pooblaščeni izvajalci, lahko pade in povzroči telesne poškodbe ali materialno škodo. Za prevoz velikega televizorja sta potrebni dve ali več oseb (tri osebe ali več za 189,3 cm (75 palcev) televizije in večje) (razen za Egipt).

Za prevoz velikega televizorja sta potrebni dve ali več oseb (tri osebe ali več za 75 palcev (189,3 cm) televizije in večje) (samo za Egipt).

Ne odstranite vijakov itd., ko vgradite televizor.

Sicer lahko televizor pade in povzroči telesne poškodbe ali materialno škodo.

Ne predelujte delov nosilca za stensko montažo.

Sicer lahko nosilec za stensko montažo pade in povzroči telesne poškodbe ali materialno škodo.

Ne vgradite opreme, ki se razlikuje od predpisanega izdelka.

Ta nosilec za stensko montažo je namenjen za uporabo samo s predpisanimi izdelki. Če namestite opremo, ki ni predpisana, lahko pade ali se polomi in povzroči telesne poškodbe ali materialno škodo.

Na nosilec za stensko montažo ne nameščajte nobenega drugega bremena kot televizor. Televizorja ne tresite v smeri levo/desno ali navzgor/navzdol.

Sicer lahko televizor pade in povzroči telesne poškodbe ali materialno škodo.

Na televizor se ne naslanjajte in se nanj ne obešajte.

Na televizor se ne naslanjajte in se nanj ne obešajte, saj lahko pade na vas in povzroči hude telesne poškodbe.

POZOR

Če ne upoštevate naslednjih varnostnih navodil, lahko pride do telesnih poškodb ali materialne škode.

- Pazite, da si pri rokovanju z nosilcem za stensko montažo ali obračanjem televizorja ne priščipnete prstov.
- Med vrtenjem televizorja bodite previdni in pazite, da ne zadenete oseb v bližini.
- Neuporabljene dele shranite na varnem mestu za prihodnjo uporabo. Hranite jih zunaj dosega otrok.

Izdelka med čiščenjem in vzdrževanjem ne obravnavajte s preveliko silo.

Na zgornjo stran televizorja ne delujte s preveliko silo. Sicer lahko televizor pade in povzroči telesne poškodbe ali materialno škodo.

Tega izdelka ne postavljajte v bližino medicinskih pripomočkov.

Ta izdelek (vključno z dodatki) vsebuje magnet(e), ki lahko povzročijo motnje pri srčnih spodbujevalnikih, programirljivih mešalnih ventilih za zdravljenje hidrocefalusa ali drugih medicinskih pripomočkov. Tega izdelka ne postavljajte v bližino oseb, ki uporabljajo takšne pripomočke. Če uporabljate takšen pripomoček, se pred uporabo posvetujte s svojim zdravnikom.

Hranite izvzven dosega otrok ali posameznikov, ki potrebujejo nadzor.

Ta izdelek (vključno z dodatki) vsebuje magnet(e). Zaužitje magnet(a) lahko povzroči resne težave, na primer nevarnost zaudžitve ali poškodbe črevesja. Če je prišlo do zaužitja magnetov (ali magnetov), se takoj posvetujte z zdravnikom.

Varnostna opozorila

- Če dolgo uporabljate televizor, nameščen na nosilcu za stensko montažo, se lahko stena za ali nad televizorjem razbarva ali pa se lahko odlepi tapeta, odvisno od materiala stene.
- Če odstranite na steno vgrajeni nosilec za stensko montažo, ostanejo luknje za vijake.
- Nosilca za stensko montažo ne uporabljajte na mestu, kjer bi lahko bil izpostavljen mehanskim tresljajem.

Vgradnja nosilca za stensko montažo

Za prodajalce Sony

OPOZORILO

Ta navodila so namenjena samo za prodajalce Sony. Obvezno preberite zgornja varnostna navodila in bodite med vgradnjo, vzdrževanje ter preverjanjem tega izdelka posebej pozorni na varnost.

Nosilca za stensko montažo ne namestite na stenske površine, kjer bi vogali ali stranice televizorja štrleli stran od površine stene.

Nosilca za stensko montažo ne namestite na stenske površine, kot so stebri, kjer bi vogali ali stranice televizorja štrleli stran od površine stene. Če se oseba ali predmet zadane ob štrleči vogal ali stranico televizorja, lahko povzroči telesne poškodbe ali materialno škodo.

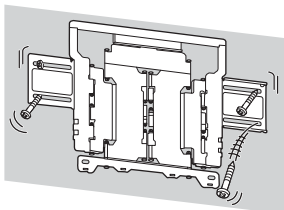


Televizorja ne vgradite nad ali pod klimatsko napravo.

Če je televizor dolgo izpostavljen puščanju vode ali zračnim tokovom iz klimatske naprave, lahko zato pride do požara, električnega udara ali okvare na televizorju.

Nosilec za stensko montažo obvezno trdno vgradite na steno po navodilih v teh navodilih za uporabo.

Če je kateri od vijakov razrahljan ali pade, lahko nosilec za stensko montažo pade in povzroči telesne poškodbe ali materialno škodo. Uporabite vijaki, ki ustrezajo materialu, iz katerega je zgrajena stena, in enoto trdno montirajte z uporabo štirih vijaki premera 8 mm (ali enakovrednih vijakov).



Obvezno pravilno uporabite priložene vijake in pritrditvene dele, skladno z navodili v tem priročniku z navodili. Če uporabite druge dele, lahko televizor pade in koga telesno poškoduje ali pa se lahko poškoduje televizor.

Obvezno pravilno sestavite nosilec po navodilih, ki so razložena v teh navodilih za uporabo.

Če je kateri od vijakov razrahljan ali pade, lahko televizor pade in povzroči telesne poškodbe ali škodo na televizorju.

Vijake obvezno trdno zategnite na predvidenem mestu.

Če tega ne storite, lahko televizor pade in koga telesno poškoduje ali pa se lahko poškoduje televizor.

Pazite, da med vgradnjo televizorja ne izpostavite udarcem.

Če je televizor izpostavljen udarcem, lahko pade ali se polomi. To lahko povzroči telesne poškodbe.

Televizor obvezno vgradite na navpično in ravno steno.

Sicer lahko televizor pade in povzroči telesne poškodbe.

Po pravilni vgradnji televizorja pravilno pritrdite kable.

Če se ljudje ali predmeti zapletejo v kable, lahko to koga telesno poškoduje ali pa se lahko poškoduje televizor.

Ne dovolite, da bi prihajalo do stiskanja napajalnega ali povezovalnih kablov.

Če se napajalni ali povezovalni kabli stisnejo med enoto in steno ali se na silo zvijajo ali upogibajo, se lahko razkrijejo notranji vodniki, kar lahko povzroči kratek stik ali električno prekinitev. To lahko povzroči požar ali električni udar.



Vijaki za pritrditev nosilca za stensko montažo na steno niso priloženi.

Pri vgradnji nosilca za stensko montažo uporabite vijake, ki so primerni za material in zgradbo stene.

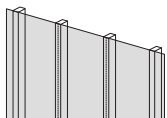
Pred začetkom

- Ilustracije televizorja v tem priročniku so primeri, ki se uporabljajo za jasne razlage postopkov. Zaradi tega se lahko ilustracije razlikujejo od dejanskega televizorja.

Iz česa je izdelana vaša stena?

Najprej preverite vrsto stene, na katero želite namestiti televizor.

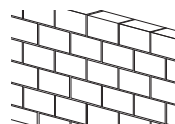
Gips plošče s tramovi



Varnostna opozorila

- Največja debelina gips plošč: 16 mm.
- Zagotovite, da so dimenzije notranjih lesenih tramov vsaj 51 mm × 102 mm za splošno ali 38 mm × 89 mm za nominalno.
- Ohranjajte razmik med pritrdilci vsaj 406 mm.

Trden beton ali betonski blok



Varnostna opozorila

- Nosilec za stensko montažo namestite neposredno na trdno betonsko steno.
- Zagotovite, da je debelina trdne betonske stene vsaj 203 mm.
- Zagotovite, da so dimenzije posameznega betonskega bloka vsaj 203 mm × 203 mm × 406 mm.

Preverjanje delov

Priloženo pri SU-WL850



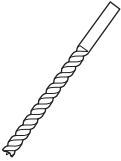
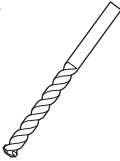
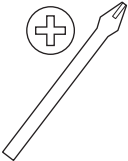
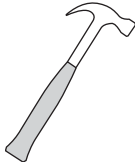
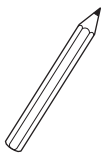
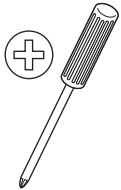
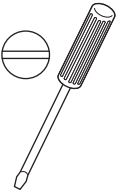
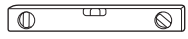


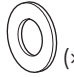
- Preverite, ali so vsi deli priloženi.

WM1 (x1) 	WM2 (x1) 	WM3 (x4)
M6 (x4) 	WT1 (x6) 	

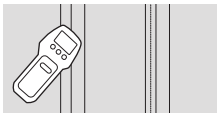
SI

Priprava za vgradnjo

- Pred montažo imejte pri roki Referenčni priročnik za televizor in Priročnik za pripravo.
- Potrdite mesto vgradnje televizorja.
- Pripravite štiri vijake s premerom 8 mm in štiri ustrezne podložke (ni priloženo). Izberite vijake, ki so primerni za material stene.
- Pripravite naslednja orodja:

*1 		 5,5 mm	 10 mm	
*2 		 1,5 N·m {15 kgf·cm}	*3  1,5 N·m {15 kgf·cm}	
	*2  (x4)	*4  (x4) 8 mm × 60 mm	*4  (x4)	

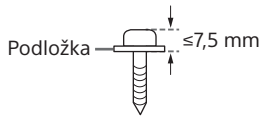
*1 Samo za gips plošče s tramovi



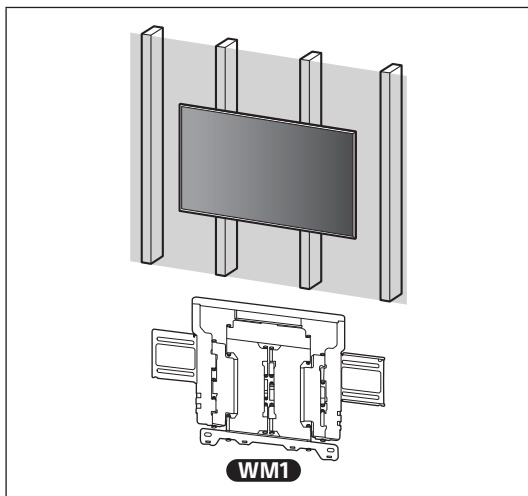
*2 Samo za trden beton ali betonski blok

*3 Odvisno od modelov

*4 Pri izbiri vijakov in podložk bodite previdni



A Pritrjevanje nosilca za stensko montažo na gips ploščo s tramovi



Montaža nosilca za stensko montažo na steno

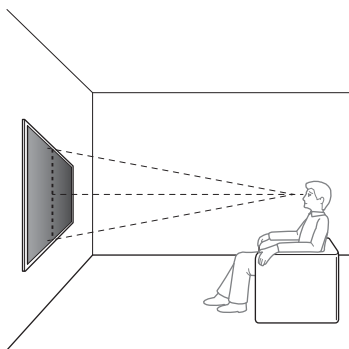
1 Odločite se za mesto vgradnje.

Na steni naj bo dovolj prostora za televizor, stena pa mora prenesti najmanj šestkratno težo televizorja.

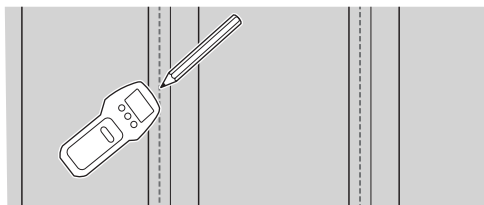
- Glejte »Meritev za namestitev nosilca za stensko montažo« na strani 17.
- Težo televizorja preverite v Referenčnem priročniku televizorja.

Opomba

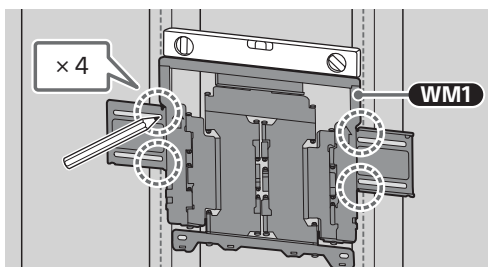
- Pri stenski montaži televizorja se zgornja stranica televizorja malce nagne naprej.
- Priporočamo vam, da preverite položaj televizorja v okolju, kjer ga nameravate uporabljati.



2



3 Nosilec WM1 namestite na steno in na tramovih naredite štiri oznake.

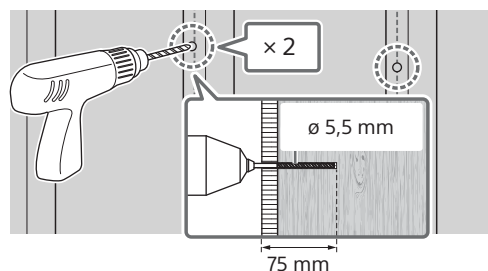


Opomba

- Z vodno tehtnico preverite, ali je WM1 v vodoravni legi.

4 Na oznakah zvrtejte vodilne luknje.

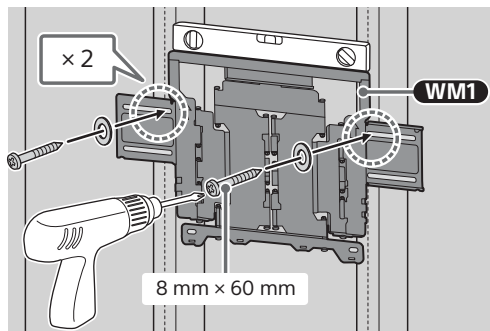
Prepričajte se, da na steno izvrtate luknje, ki so dovolj močne, da podpirajo najmanj šestkratno težo televizorja.



Opomba

- Vodilne luknje morate zvrtejati do globine 75 mm z uporabo svedra s premerom 5,5 mm.

- 5** Nosilec **WM1** namestite na steno z uporabo primernih vijakov (niso priloženi) in podložk (niso priložene).



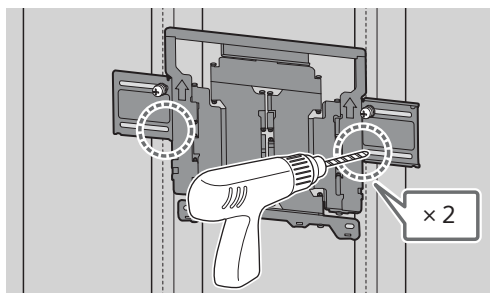
Opomba

- Z vodno tehtnico preverite, ali je **WM1** v vodoravni legi.

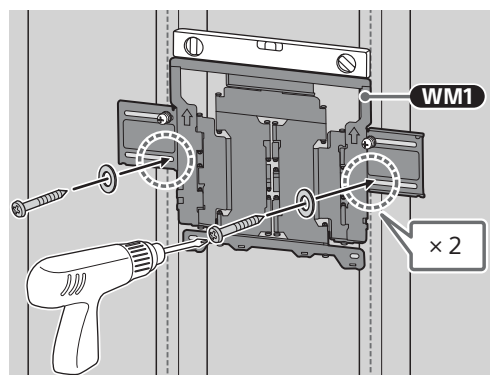
Varnostni ukrep

- Lesenega vijaka 8 mm x 60 mm ne privijte premočno. Neustrezno privijanje lahko zmanjša moč lesenega vijaka 8 mm x 60 mm.

- 6** Na teh oznakah zvrtejate spodnje vodilne luknje. (Za navodila o vrtnanju glejte korak 4.)



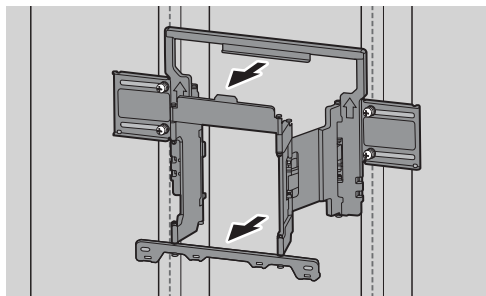
- 7** V luknje vstavite ustrezne vijake in podložke.



Opomba

- Z vodno tehtnico preverite, ali je **WM1** v vodoravni legi.

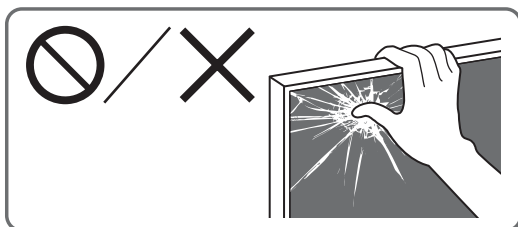
- 8** Roko nosilca izvlecite do konca.



Priprava na vgradnjo televizorja

Opomba

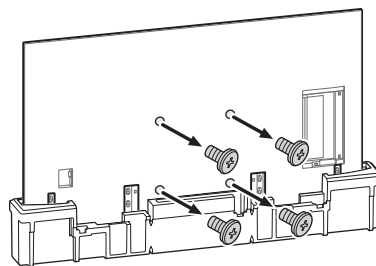
- Odstranjene vijake in neuporabljene dele shranite na varnem mestu, zunaj dosegata otrok.



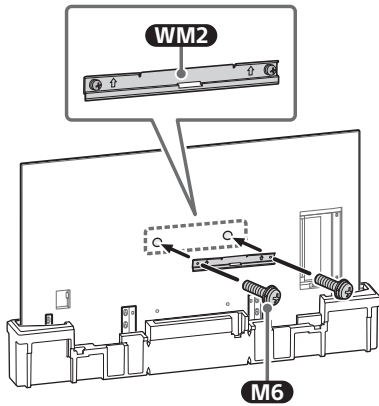
Vgradnja televizorja na steno iz kartona*1

*1 Samo za omejene regije/države/modele.

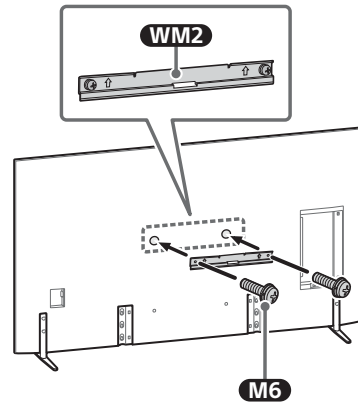
- 1** Odstranite vijake s hrbtne stranice televizorja.



- 2 Nosilec **WM2** pritrdite na televizor z uporabo vijakov **M6**.

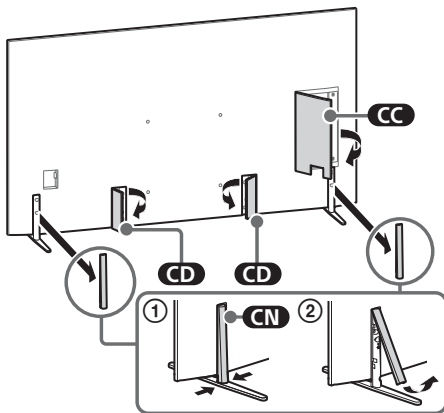


- 3 Nosilec **WM2** pritrdite na televizor z uporabo vijakov **M6**.

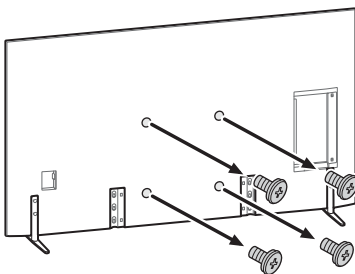


Vgradnja televizorja na steno s prejšnje vgradnje na namizno stojalo

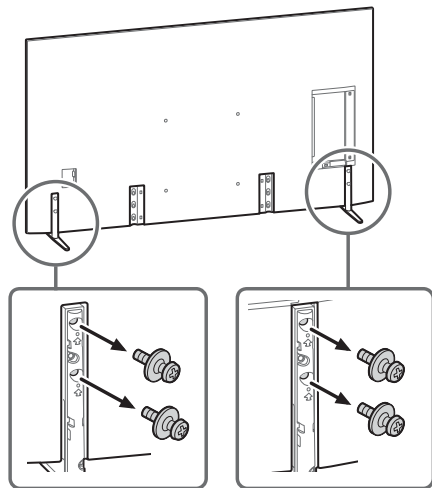
- 1 Odstranite pokrove stojala in priključkov.



- 2 Odstranite vijake s hrbtni stranice televizorja.



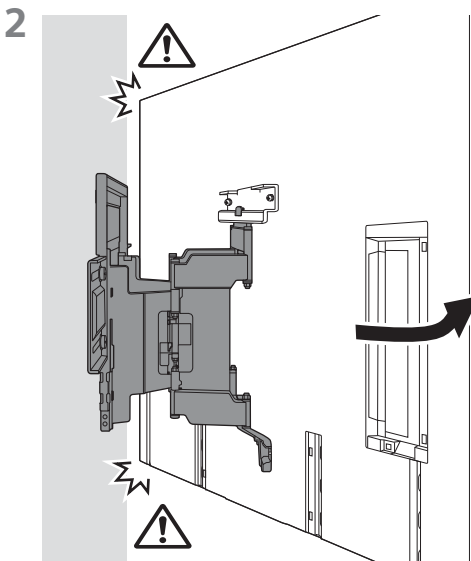
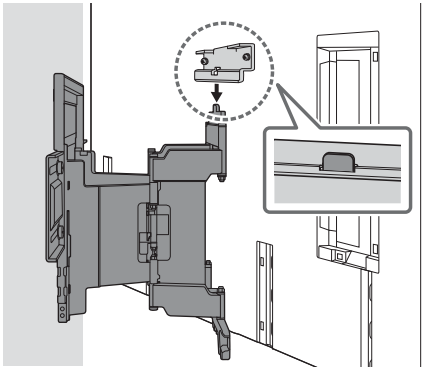
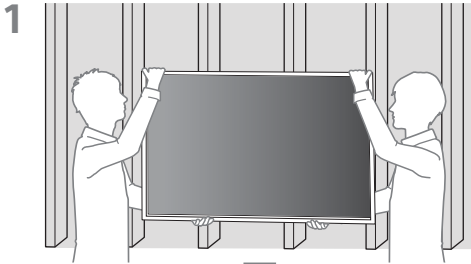
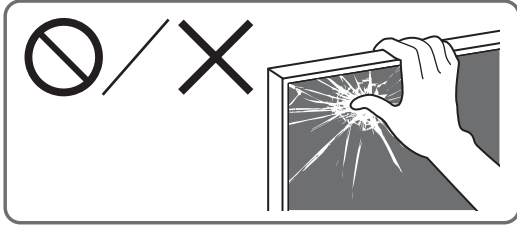
- 4 Namizno stojalo odstranite s televizorja.



Opomba

- Bodite previdni, ko dvignete televizor pri snemanju namiznega stojala, saj se lahko namizno stojalo prevrne in povzroči telesne poškodbe.
- Pri snemanju namiznega stojala s televizorja bodite previdni, da ne pade in poškoduje površine, na kateri je televizor.

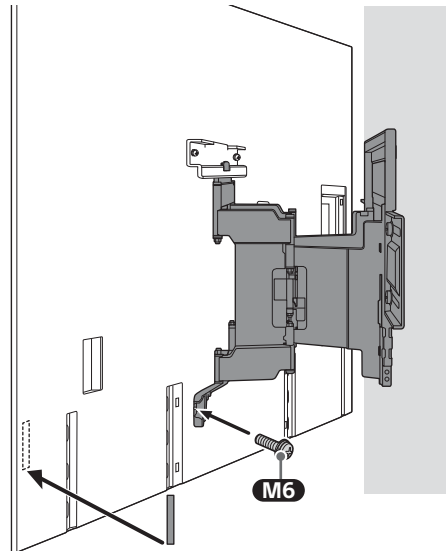
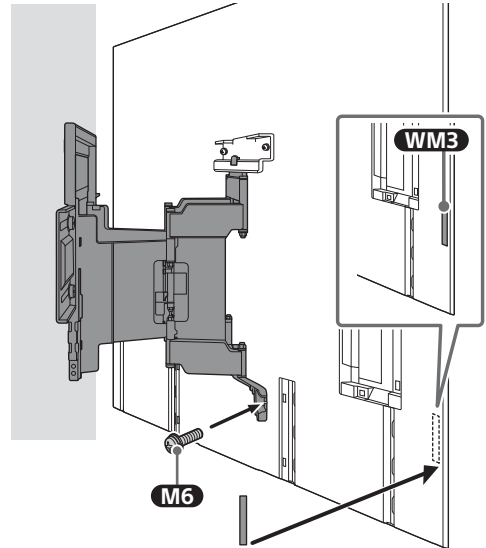
Namestitev televizorja na steno

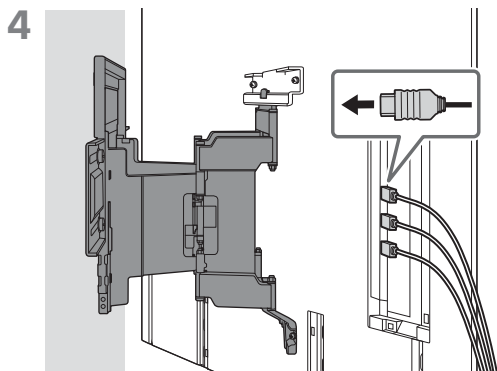


3 Z **M6** privijte levo in desno stran nosilca za stensko montažo ter pritrdite **WM3**.

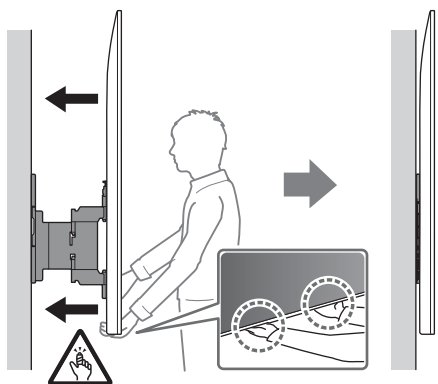
Opomba

- Ne namestite **WM3** na oznake.



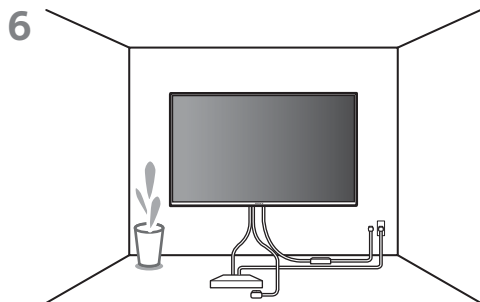


5 Pri premikanju televizorja trdno držite spodnjo stranico.



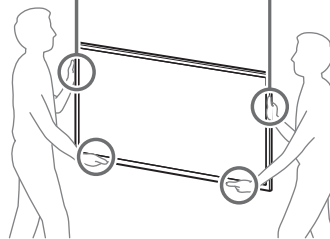
Opomba

- Televizor se morda ne bo približal steni, odvisno od vrste in števila priključenih kablov. To ni okvara.



OPOZORILO

- Za prevoz velikega televizorja sta potrebni dve ali več oseb (tri osebe ali več za 189,3 cm (75 palcev) televizije in večje) (razen za Egipt).
- Za prevoz velikega televizorja sta potrebni dve ali več oseb (tri osebe ali več za 75 palcev (189,3 cm) televizije in večje) (samo za Egipt).



Preverjanje vgradnje

Preverite naslednje točke.

- Kabli niso zviti ali stisnjeni.

OPOZORILO

- Napačna postavitev izmeničnega napajalnega kabla itd. lahko povzroči požar ali električni udar zaradi kratkega stika. Poskrbite, da zaradi varnosti preverite vgradnjo.

Druge informacije

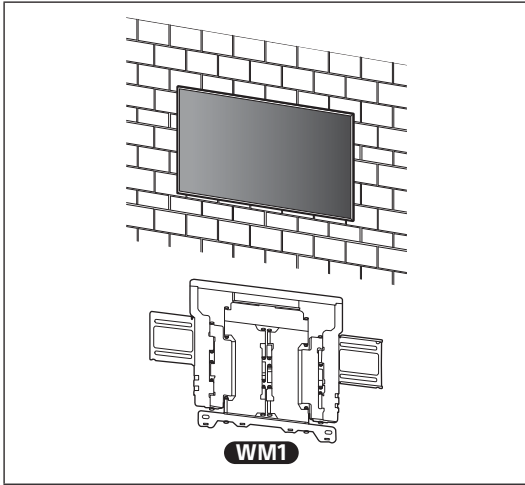
Pri odstranjevanju televizorja opravite prejšnji postopek vgradnje v obratnem vrstnem redu.

OPOZORILO

- Za prevoz velikega televizorja sta potrebni dve ali več oseb (tri osebe ali več za 189,3 cm (75 palcev) televizije in večje) (razen za Egipt).
- Za prevoz velikega televizorja sta potrebni dve ali več oseb (tri osebe ali več za 75 palcev (189,3 cm) televizije in večje) (samo za Egipt).

SI

B Pritrditev nosilca za stensko montažo na trden beton ali betonski blok



Montaža nosilca za stensko montažo na steno

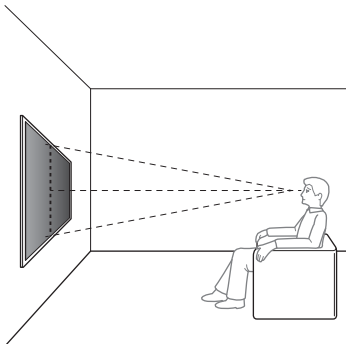
1 Odločite se za mesto vgradnje.

Na steni naj bo dovolj prostora za televizor, stena pa mora prenesti najmanj šestkratno težo televizorja.

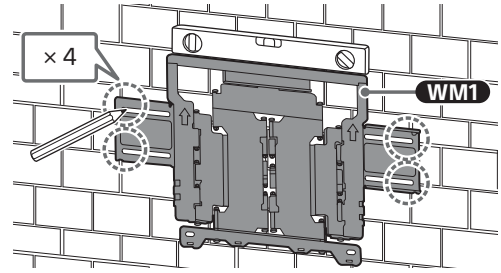
- Glejte »Meritev za namestitev nosilca za stensko montažo« na strani 17.
- Težo televizorja preverite v Referenčnem priročniku televizorja.

Opomba

- Pri stenski montaži televizorja se zgornja stranica televizorja malce nagne naprej.
- Priporočamo vam, da preverite položaj televizorja v okolju, kjer ga nameravate uporabljati.



2 Nosilec WM1 postavite na zid in naredite štiri oznake.

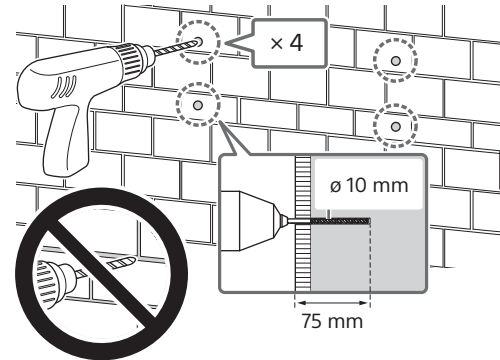


Opomba

- Z vodno tehtnico preverite, ali je WM1 v vodoravni legi.

3 Na oznakah izvrtajte pomožne luknje.

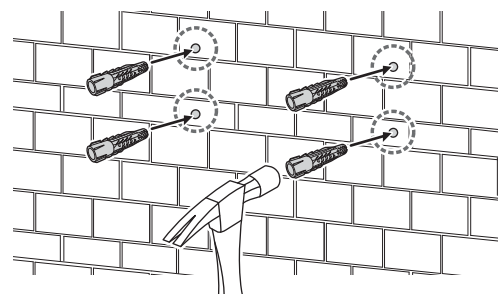
Prepričajte se, da na steno izvrtate luknje, ki so dovolj močne, da podpirajo najmanj šestkratno težo televizorja.



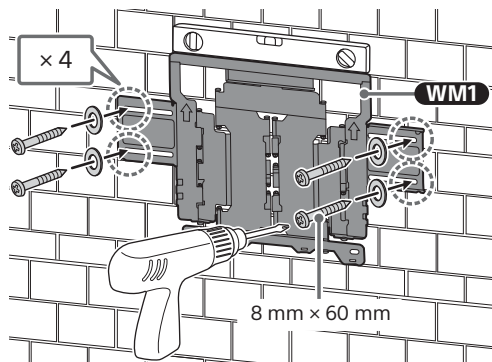
Opomba

- Vodilne luknje morate zvrtati do globine 75 mm z uporabo svedra s premerom 10 mm.

4



- 5 Nosilec **WM1** namestite na steno z uporabo primernih vijakov (niso priloženi) in podložk (niso priložene).



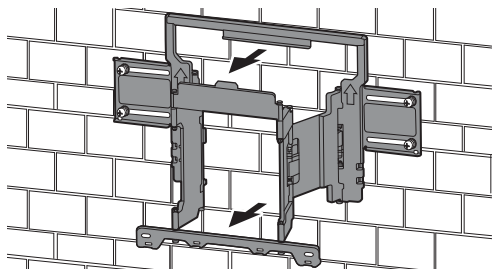
Opomba

- Z vodno tehtnico preverite, ali je **WM1** v vodoravni legi.

Varnostni ukrep

- Lesenega vijaka 8 mm x 60 mm ne privijte premočno. Neustrezno privijanje lahko zmanjša moč lesenega vijaka 8 mm x 60 mm.

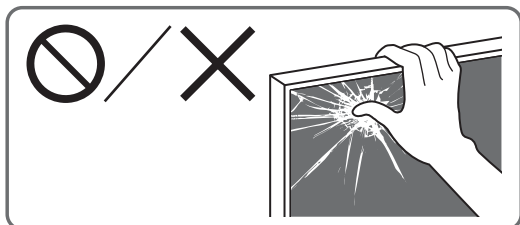
- 6 Roko nosilca izvlecite do konca.



Priprava na vgradnjo televizorja

Opomba

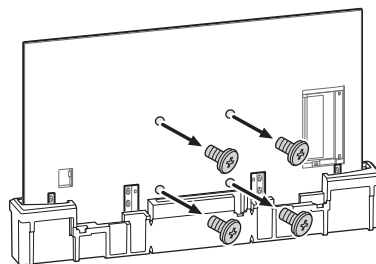
- Odstranjene vijake in neuporabljene dele shranite na varnem mestu, zunaj dosega otrok.



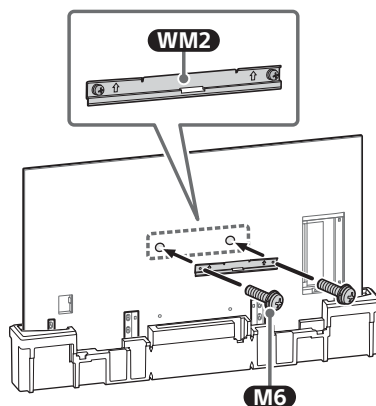
Vgradnja televizorja na steno iz kartona*1

*1 Samo za omejene regije/države/modele.

- 1 Odstranite vijake s hrbtne stranice televizorja.

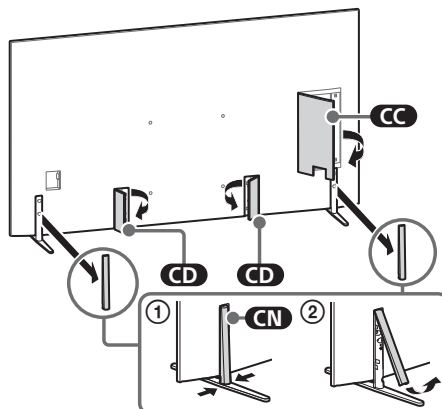


- 2 Nosilec **WM2** pritrdite na televizor z uporabo vijakov **M6**.

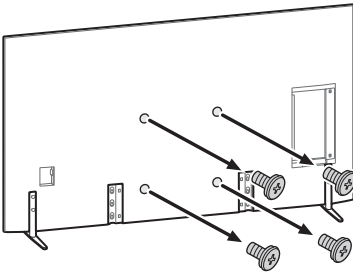


Vgradnja televizorja na steno s prejšnje vgradnje na namizno stojalo

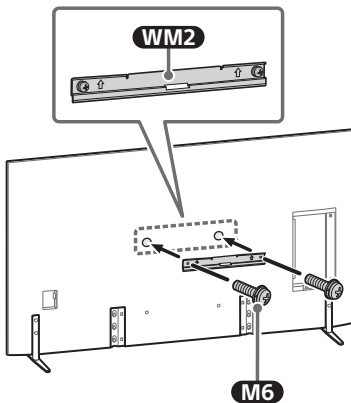
- 1 Odstranite pokrove stojala in priključkov.



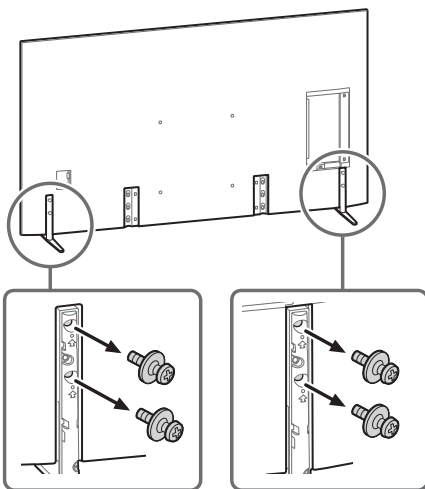
2 Odstranite vijake s hrbtnje stranice televizorja.



3 Nosilec **WM2** pritrдите na televizor z uporabo vijakov **M6**.



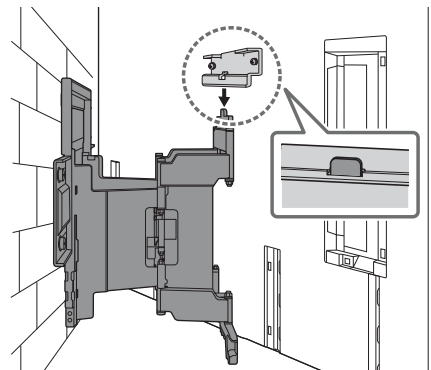
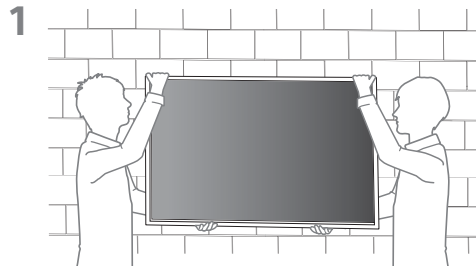
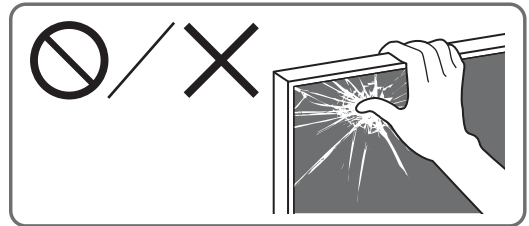
4 Namizno stojalo odstranite s televizorja.

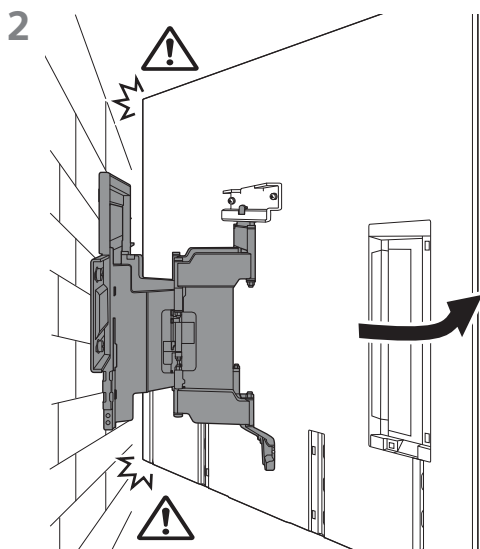


Opomba

- Bodite previdni, ko dvignete televizor pri snemanju namiznega stojala, saj se lahko namizno stojalo prevrne in povzroči telesne poškodbe.
- Pri snemanju namiznega stojala s televizorja bodite previdni, da ne pade in poškoduje površine, na kateri je televizor.

Namestitev televizorja na steno

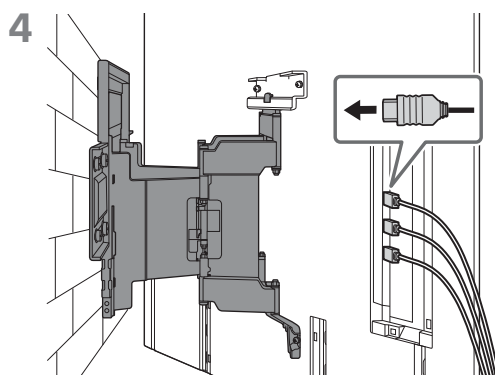
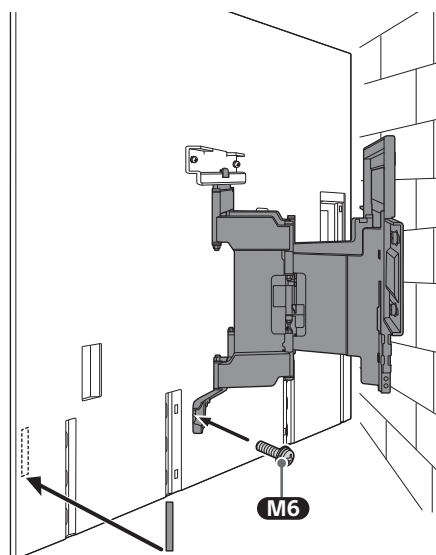
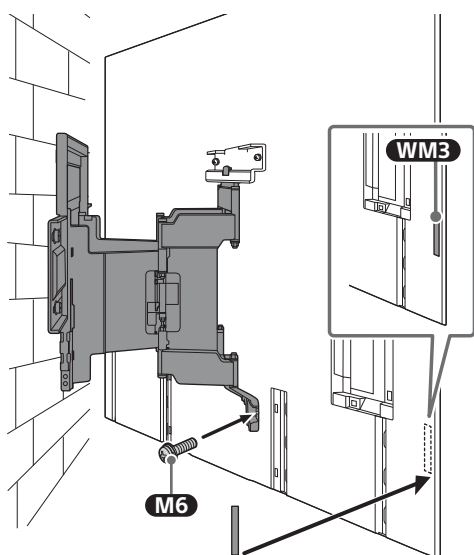




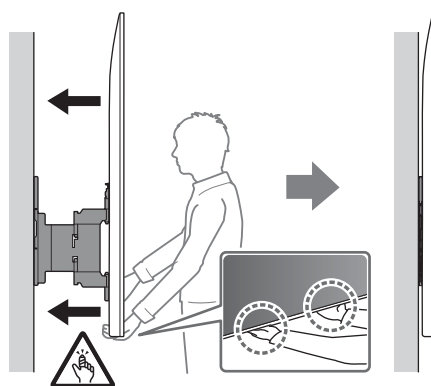
3 Z **M6** privijte levo in desno stran nosilca za stensko montažo ter pritrdite **WM3**.

Opomba

- Ne namestite **WM3** na oznake.

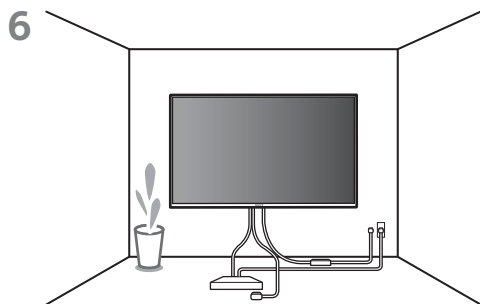


5 Pri premikanju televizorja trdno držite spodnjo stranico.



Opomba

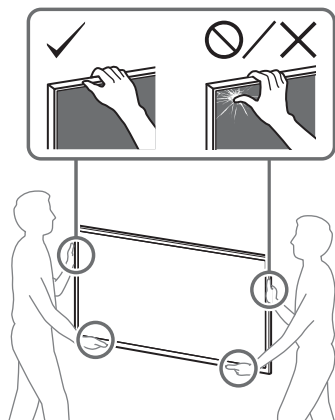
- Televizor se morda ne bo približal steni, odvisno od vrste in števila priključenih kablov. To ni okvara.



OPOZORILO

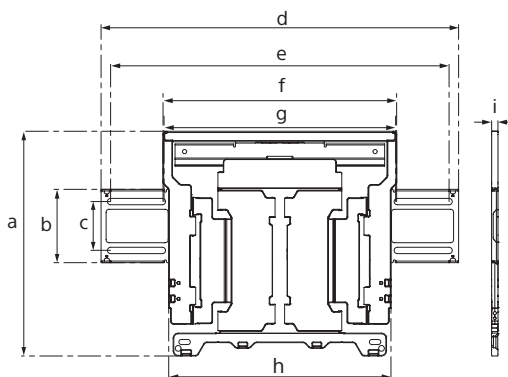
- Za prevoz velikega televizorja sta potrebni dve ali več oseb (tri osebe ali več za 189,3 cm (75 palcev) televizije in večje) (razen za Egipt).

Za prevoz velikega televizorja sta potrebni dve ali več oseb (tri osebe ali več za 75 palcev (189,3 cm) televizije in večje) (samo za Egipt).



Tehnični podatki

WM1



Mere: (približno) [mm]

a : 354

b : 116

c : 77

d : 563

e : 533

f : 370

g : 368

h : 350

i : 11

Teža (samo podstavek): (približno) [kg]

3,0

Zasnove in tehnični podatki se lahko kadar koli nenapovedano spremenijo.

Preverjanje vgradnje

Preverite naslednje točke.

- Kabli niso zviti ali stisnjeni.

OPOZORILO

- Napačna postavitev izmeničnega napajalnega kabla itd. lahko povzroči požar ali električni udar zaradi kratkega stika. Poskrbite, da zaradi varnosti preverite vgradnjo.

Druge informacije

Pri odstranjevanju televizorja opravite prejšnji postopek vgradnje v obratnem vrstnem redu.

OPOZORILO

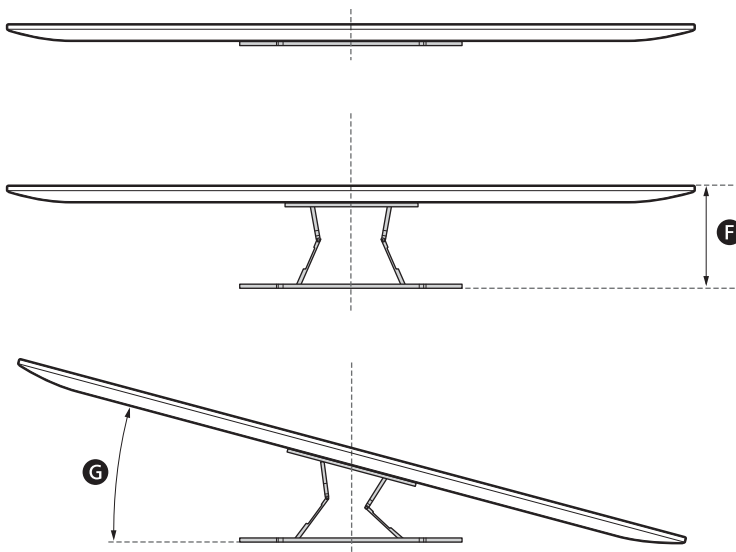
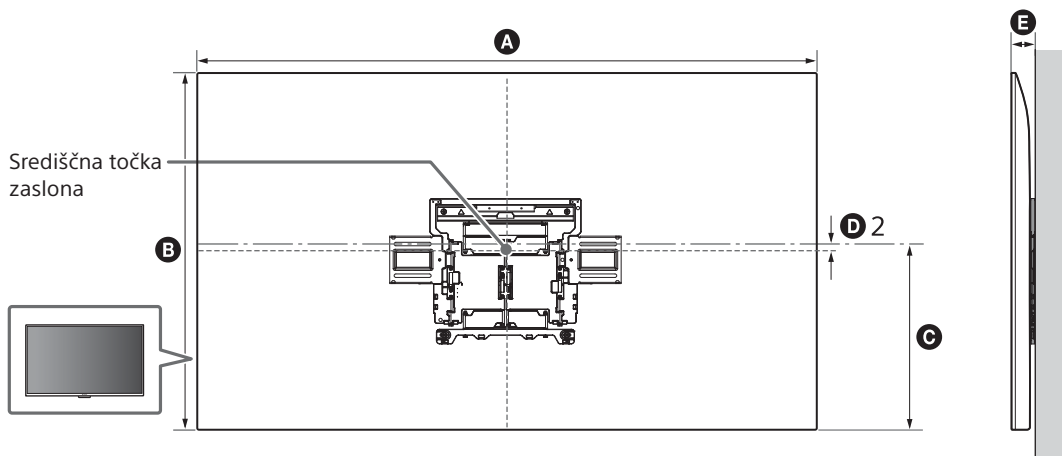
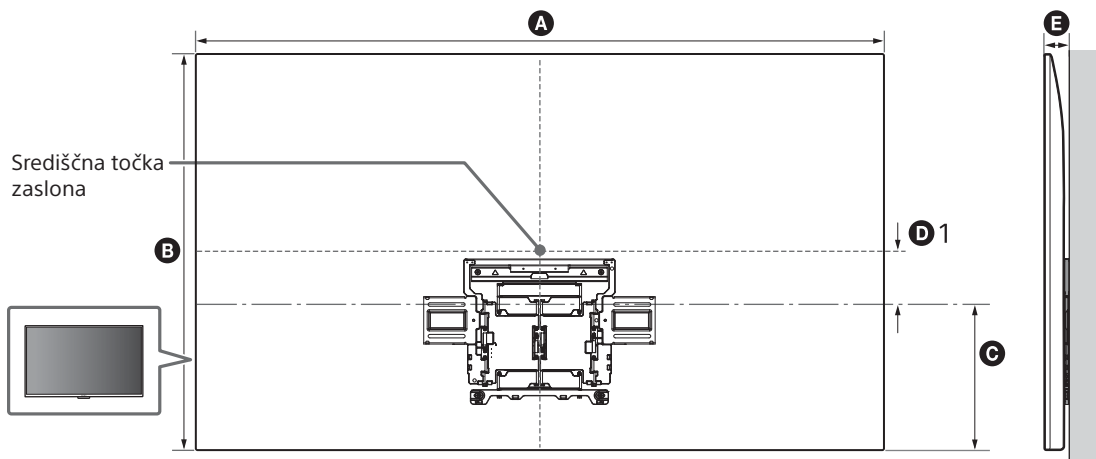
- Za prevoz velikega televizorja sta potrebni dve ali več oseb (tri osebe ali več za 189,3 cm (75 palcev) televizije in večje) (razen za Egipt).

Za prevoz velikega televizorja sta potrebni dve ali več oseb (tri osebe ali več za 75 palcev (189,3 cm) televizije in večje) (samo za Egipt).

Reference

Meritev za namestitev nosilca za stensko montažo

Vrednosti v tabeli se lahko rahlo razlikujejo glede na vrsto montaže.



(mm)

Naziv modela	A	B	C	D 1	D 2	E	F ^{*1}	G ^{*1} (°)
K-77XR8x	1 713	984	362	139	-	48	251,4	12
K-65XR8x	1 442	829	362	57	-	48	250,8	17
K-55XR8x	1 223	706	362	-	3	48	250,8	19

*1 (Pribl.)

Informacije za instalaciju Sony nosača za postavljanje na zid (SU-WL850)

Podržani modeli*1:

*1 U stvarnim nazivima modela »x«/»xx« označava brojke i/ili slova specifične za pojedini model.

K-77XR8x / 65XR8x / 55XR8x

Za korisnike

Radi zaštite proizvoda i iz sigurnosnih razloga, Sony svesrdno preporučuje da postavljanje Vašeg TV-a obave Sony trgovci ili ovlašteni dobavljači. Nemojte ga pokušavati postaviti sami.

Za Sony trgovce i dobavljače

Posvetite punu pozornost sigurnosti za vrijeme postavljanja, periodičkoga održavanja i ispitivanja ovoga proizvoda.

Za postavljanje ovoga proizvoda, naročito za određivanje čvrstoće zida za podnošenje težine TV-a, potrebna je odgovarajuća stručnost. Pobrinite se da se pričvršćivanje ovoga proizvoda na zid povjeri Sony trgovcima ili ovlaštenim dobavljačima, te da se za vrijeme postavljanja odgovarajuća pozornost posveti sigurnosti. Sony ne odgovara ni za kakvo oštećenje ili ozljedu uzrokovanu nepravilnim postupanjem ili postavljanjem.

Zbog sigurnosti i pravilne ugradnje, slijedite Upute nosača za postavljanje na zid, Vodič za postavljanje TV-a i upute iz ovog priručnika.

Nosač za postavljanje na zid

O sigurnosti

Zahvaljujemo na kupnji ovog proizvoda.

Za korisnike

Postavljanje TV-a na zid



UPOZORENJE

ZAHTEJEVA PROFESIONALNO POSTAVLJANJE

Proizvod treba postaviti isključivo profesionalni instalater koji je obučen za procjenu čvrstoće zida, odnosno može li izdržati težinu TV prijemnika. Ako nije pravilno učvršćen prilikom postavljanja, TV prijemnik može se prevrnuti i uzrokovati ozbiljne ozljede. Sony nije odgovoran za štete ili ozljede uzrokovane nepravilnim rukovanjem ili nepravilnim postavljanjem, ili instalacijom drugih proizvoda. To ne utječe na vaša statutorna prava.

Sonyjevim dobavljačima

Za postavljanje proizvoda potrebna je određena stručnost. Svakako pažljivo pročitajte korisnički priručnik da biste proizvod sigurno postavili. Tvrtka Sony nije odgovorna za štete ili ozljede uzrokovane neispravnim rukovanjem ili nepravilnim postavljanjem. Priručnik nakon postavljanja predajte kupcu.

Ovaj korisnički priručnik pokazuje kako pravilno rukovati proizvodom i sadrži važne mjere opreza neophodne za izbjegavanje nezgoda. Dužni ste pročitati, proučiti i slijediti sve upute iz korisničkog priručnika. U protivnom može doći do ozbiljnih ozljeda ili materijalne štete, ili poništenja jamstva. Priručnik zadržite za buduću upotrebu.

Sony proizvodi dizajnirani su sa sigurnošću u vidu. Međutim, ako se proizvod ne upotrebljava ispravno, to može dovesti do ozbiljne ozljede vatrom, do strujnog udara, prevrtanja proizvoda ili njegova pada. Svakako se pridržavajte mjera opreza da biste spriječili takve nezgode.

OPREZ

Specificirani proizvodi

Ovaj nosač za postavljanje na zid dizajniran je za upotrebu sa specificiranim modelima TV-a. Provjerite u Referentnom vodiču televizora može li se koristiti ovaj nosač za postavljanje na zid.

Za korisnike

UPOZORENJE

Ako se ne pridržavate sljedećih mjera opreza, može doći do ozbiljnih ozljeda ili smrtnog slučaja zbog izbijanja požara, strujnog udara ili pada proizvoda.

Postavljanje svakako prepustite licenciranim izvođačima te ne dopuštajte pristup djeci tijekom postavljanja.

Ako nosač za postavljanje na zid ili TV nisu pravilno postavljeni, može doći do sljedećih nezgoda. Postavljanje neka obavljaju isključivo licencirani izvođači.

- TV može pasti i uzrokovati ozbiljne ozljede poput otegotina ili lomova.
- Ako zid na koji je nosač za postavljanje na zid nije stabilan, ravan ili okomit na pod, proizvod može pasti i uzrokovati ozljede ili materijalnu štetu. Važno je da zid može izdržati težinu barem šest puta veću od težine TV prijemnika. (Pogledajte Referentni vodič Vašeg televizora za podatak o njegovoj težini.)
- Ako instalacija nosača za postavljanje na zid nije dovoljno čvrsta, jedinica može pasti i uzrokovati ozljede ili materijalnu štetu.

Premještanje ili skidanje televizora svakako prepustite licenciranim izvođačima.

Ako prijevoz i skidanje radi netko tko nije licencirani izvođač, TV može pasti i uzrokovati ozljede ili materijalnu štetu. Za prijenos velikog TV-a potrebne su dvije ili više osoba (tri ili više osoba za TV od 189,3 cm (75 inča) i više) (osim Egipat). Za prijenos velikog TV-a potrebne su dvije ili više osoba (tri ili više osoba za TV od 75 inča (189,3 cm) i više) (samo Egipat).

Ne uklanjajte vijke itd. nakon postavljanja TV-a.

Ako to učinite, TV može pasti i uzrokovati ozljede ili materijalnu štetu.

Ne mijenjajte dijelove nosača za postavljanje na zid.

Ako to učinite, nosač za postavljanje na zid može pasti i uzrokovati ozljede ili materijalnu štetu.

Na instalirajte drugu opremu osim specificiranog proizvoda.

Ovaj nosač za postavljanje na zid dizajniran je za upotrebu samo sa specificiranim modelima. Ako na njega stavite neku drugu opremu, može pasti ili se slomiti, te može uzrokovati ozljede ili materijalnu štetu.

Na nosač za postavljanje na zid ne stavljajte drugi teret osim TV-a.

Ne tresite TV prijemnik desno/lijevo, gore/dolje.

Ako to učinite, TV može pasti i uzrokovati ozljede ili materijalnu štetu.

Ne oslanjajte se na TV i ne vješajte o njega.

Ne oslanjajte se na TV i ne vješajte o njega jer može pasti i uzrokovati ozbiljne ozljede.

OPREZ

Ako se ne pridržavate navedenih mjera opreza, može doći do ozljeda ili materijalne štete.

- Pazite da ne prignječite prste dok rukujete nosačem za postavljanje na zid ili zakrećete TV prijemnik.
- Dok zakrećete TV prijemnik budite oprezni i pazite da ne udarite nikoga u blizini.
- Nekorištene dijelove spremite na sigurno mjesto za naknadnu upotrebu. Držite ih podalje od djece.

Ne rukujte proizvodom prekomjernom silom dok ga čistite ili održavate.

Ne primijenjujte prekomjernu silu s gornje strane televizora. Ako to učinite, TV može pasti i uzrokovati ozljede ili materijalnu štetu.

Ne stavljajte ovaj proizvod blizu medicinskih uređaja.

Ovaj proizvod (uključujući dodatke) ima magnet(e) koji može prouzročiti smetnje u radu pacemakera, programabilnog šanta za liječenje hidrocefalusa, ili drugih medicinskih uređaja. Ne stavljajte ovaj proizvod blizu osoba koje se služe takvim medicinskim uređajima. Posavjetujte se s liječnikom prije upotrebe ovog proizvoda ako se služite takvim medicinskim uređajem.

Držite izvan dohvata djece ili osoba pod nadzorom.

Ovaj proizvod, (uključujući dodatke) ima magnet(e). Gutanje magneta može dovesti do ozbiljnih posljedica, kao što je opasnost od gušenja ili oštećenje probavnog trakta. Ako su magneti (ili magnet) progutani, odmah se posavjetujte s liječnikom.

Mjere opreza

- Ako duže vrijeme televizor držite na nosaču za postavljanje na zid, zid iza TV-a može izgubiti boju ili se tapeta može odlijepiti, ovisno o materijalu na zidu.
- Ako uklonite nosač za postavljanje na zid nakon postavljanja na zid, ostat će vidljive rupe od vijaka.
- Ne postavljajte nosač za postavljanje na zid na mjesta na kojima je izložen mehaničkim vibracijama.

Postavljanje nosača za postavljanje na zid

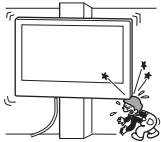
Sonyjevim dobavljačima

UPOZORENJE

Slijedeće upute odnose se isključivo na Sonyjeve dobavljače. Svakako pročitajte gore navedene mjere opreza i posebnu pozornost posvetite sigurnosti tijekom postavljanja, održavanja i provjere proizvoda.

Ne postavljajte nosač za postavljanje na zidove na kojima kutovi ili rubovi televizora mogu stršiti.

Ne postavljajte nosač za postavljanje na zid na zidove na kojima kutovi ili rubovi televizora mogu stršati. Ako neka osoba ili predmet udare o stršeći kut ili bočnu stranu televizora, može doći do ozljede ili nastati materijalna šteta.

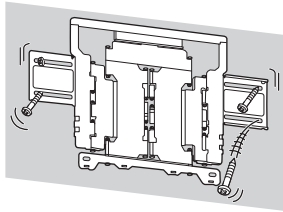


Ne postavljajte televizor iznad ili ispod klimatizacijskog uređaja.

Ako je televizor izložen curenju vode ili struji zraka iz klimatizacijskog uređaja, može doći do izbijanja požara, strujnog udara ili kvara televizora.

Svakako dobro učvrstite nosač za postavljanje na zid slijedeći upute iz ovog korisničkog priručnika.

Ako su neki vijci slabo zavijeni ili ispadnu, nosač za postavljanje na zid može se srušiti i uzrokovati ozljede ili materijalnu štetu. Upotrijebite odgovarajuće vijci za zid i sigurno postavite jedinicu tako da je pričvrstite vijci promjera 8 mm (ili sličnima).



Upotrijebite isporučene vijke i pričvrсни pribor slijedeći upute iz ovog korisničkog priručnika. Ako se koristite zamjenskim dijelovima, televizor može pasti i uzrokovati tjelesne ozljede ili oštećenje televizora.

Pravilno sastavite nosač slijedeći postupak opisan u ovom korisničkom priručniku.

Ako vijci nisu dobro pritegnuti ili ispadnu, televizor može pasti i uzrokovati tjelesne ozljede ili oštećenje televizora.

Obavezno dobro pritegnite vijke na označenom mjestu.

Ako to ne učinite, televizor može pasti i uzrokovati tjelesne ozljede ili oštećenje televizora.

Pazite da televizor ne bude izložen udarcima tijekom postavljanja.

Udarci mogu uzrokovati pad ili lomljenje televizora. To može uzrokovati ozljede.

Televizor obavezno postavite na zid koji je okomit i ravan.

Ako to ne učinite, televizor može pasti i uzrokovati ozljede.

Nakon što pravilno postavite televizor ispravno učvrstite kabele.

Ako se o kabele zapletu ljudi ili predmeti, može doći do ozljede ili se TV mogu oštetiti.

Pazite da ne dođe do priklještenja naponskog kabela izmjenične struje ili priključnog kabela.

Ako se naponski kabel izmjenične struje ili priključni kabel uklješti između jedinice i zida, ili su silom zavrnuti ili savijeni, može doći do izlaganja unutarnjih vodiča, što može uzrokovati kratki spoj ili strujni udar. To može izazvati požar ili strujni udar.



Vijci kojima se nosač za postavljanje na zid treba učvrstiti nisu isporučeni.

Kada instalirate nosač za postavljanje na zid, upotrijebite odgovarajuće vijke za materijal od kojega je zid izgrađen.

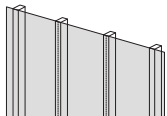
Priprema

- Ilustracije TV-a prikazane u ovom priručniku primjeri su koji daju jasna objašnjenja postupaka. Iz tog razloga ilustracije mogu izgledati drugačije od stvarnog TV-a.

Od kojeg je materijala vaš zid?

Najprije provjerite zid na koji namjeravate postaviti TV.

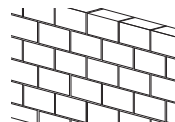
Gipsane ploče s drvenom potkonstrukcijom



Mjere opreza

- Maksimalna debljina gipsanih ploča: 16 mm.
- Provjerite jesu li unutarnje dimenzije stupova drvene potkonstrukcije najmanje 51 mm × 102 mm za obične ili 38 mm × 89 mm za nominalne stupove.
- Vodoravni razmak između točki učvršćivanja mora biti najmanje 406 mm.

Puni betonski zid ili betonski blokovi



Mjere opreza

- Nosač za postavljanje na zid postavite izravno na betonski zid.
- Debljina betonskog zida mora biti najmanje 203 mm.
- Dimenzije betonskih blokova moraju biti najmanje 203 mm × 203 mm × 406 mm.

Provjera dijelova



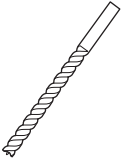
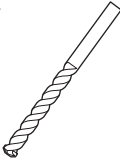
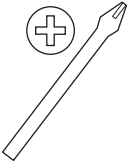
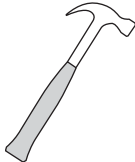
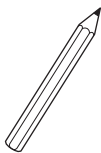
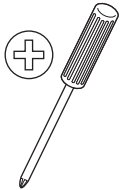
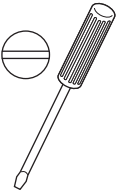
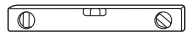



Isporučeno sa SU-WL850

- Provjerite imate li sve dijelove.

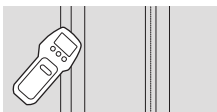
WM1 (x1) 	WM2 (x1) 	WM3 (x4)
M6 (x4) 	WT1 (x6) 	

Priprema za postavljanje

- Neka vam prije ugradnje pri ruci budu Referentni vodič za TV i Vodič za postavljanje.
- Provjerite mjesto postavljanja televizora.
- Pripremite četiri vijka promjera 8 mm i četiri podloška (nisu isporučeni u kompletu). Odaberite vijke koji odgovaraju materijalu od kojega je izgrađen zid.
- Pripremite sljedeće alate:

*1 		 5,5 mm	 10 mm	
*2 		 1,5 N·m {15 kgf·cm}	*3  1,5 N·m {15 kgf·cm}	
	*2  (x4)	*4  (x4) 8 mm × 60 mm	*4  (x4)	

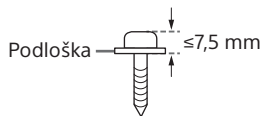
*1 Samo za gipsane ploče s drvenom potkonstrukcijom



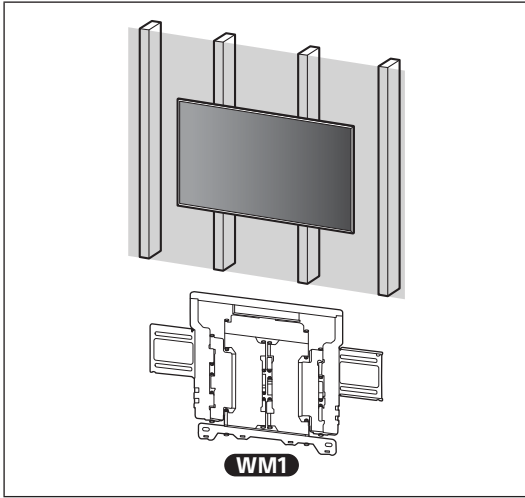
*2 Samo za betonski zid ili betonske blokove

*3 Ovisno o modelu

*4 Pažljivo odaberite vijke i podloške



A Pričvršćivanje nosača za postavljanje na zid na gipsane ploče s drvenom potkonstrukcijom



Montaža nosača za postavljanje na zid

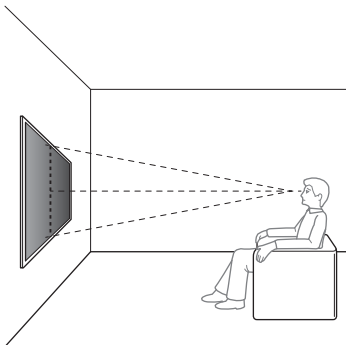
1 Odlučite o mjestu postavljanja.

Provjerite ima li na zidu dovoljno mjesta za TV, te može li nositi najmanje šesterostruku težinu TV-a.

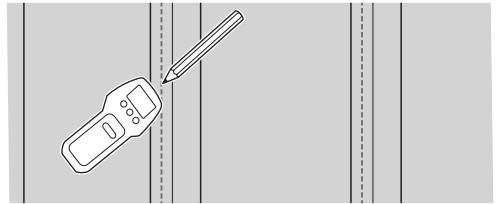
- Pogledajte »Mjere za nosač za postavljanje na zid« na stranici 18.
- U Referentnom vodiču svog TV-a potražite težinu TV-a.

Napomena

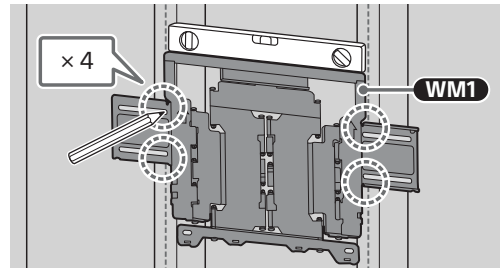
- Kad je Vaš TV postavljen na zid, gornja strana TV-a malo je nagnuta naprijed.
- Preporučujemo da provjerite položaj TV prijemnika u okruženju.



2



3 Poravnajte WM1 sa zidom i označite četiri rupe u ravni s gredama.

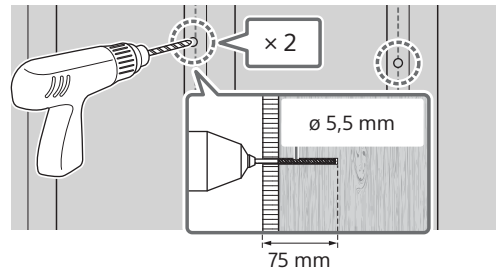


Napomena

- Libelom provjerite je li WM1 ravan.

4 Izbušite gornje pilot rupe na označenim mjestima.

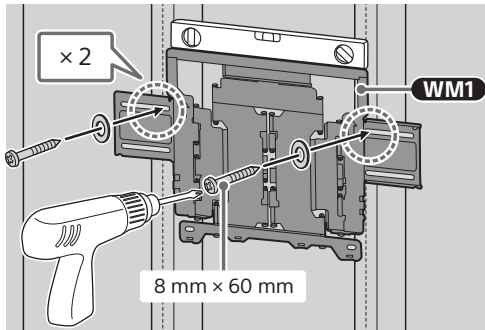
Provjerite je li mjesto na zidu za bušenje rupa dovoljno čvrsto da podnese težinu najmanje šest puta veću od težine TV-a.



Napomena

- Pilot rupe moraju se izbušiti do dubine od 75 mm, pomoću borera debljine 5,5 mm.

- 5 Pričvrstite **WM1** na zid odgovarajućim vijcima (nisu isporučeni u kompletu) i podloškama (nisu isporučene u kompletu).



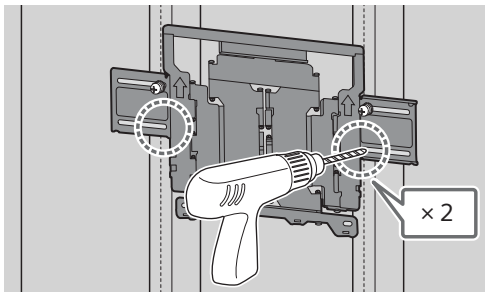
Napomena

- Libelom provjerite je li **WM1** ravan.

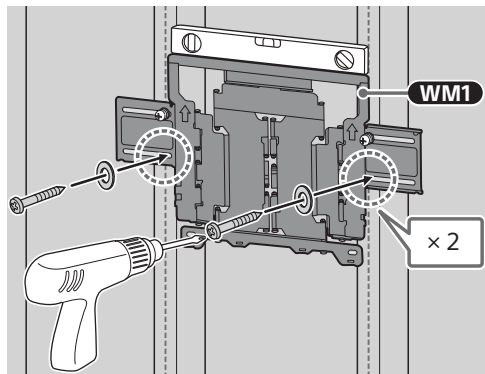
Mjere opreza

- Ne prezatežite vijke za drvo 8 mm x 60 mm. Neodgovarajuća sila zatezanja može umanjiti nosivost vijka za drvo 8 mm x 60 mm.

- 6 Izbušite donje pilot rupe na označenim mjestima. (Upute za bušenje pronaći ćete u 4. koraku.)



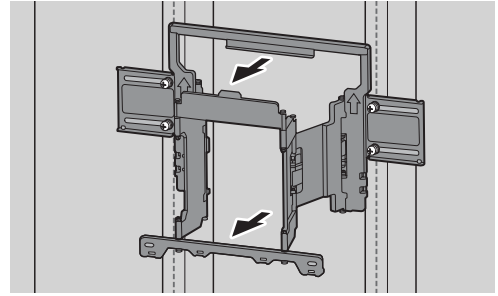
- 7 U rupe umetnite odgovarajuće vijke i podloške.



Napomena

- Libelom provjerite je li **WM1** ravan.

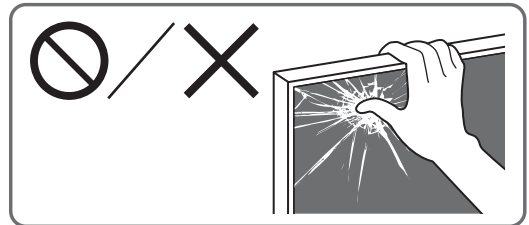
- 8 Razvucite krak nosača do kraja.



Priprema za postavljanje televizora na zid

Napomena

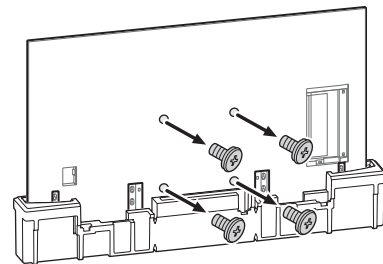
- Uklonjene vijke i neiskorištene dijelove spremite na sigurno mjesto, držeći ih dalje od djece.



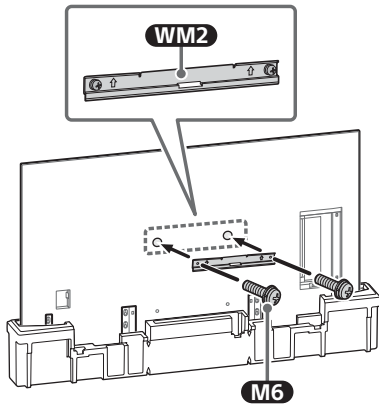
Postavljanje TV-a na zid iz kutije*1

- *1 Samo za određenu regiju/zemlju/model.

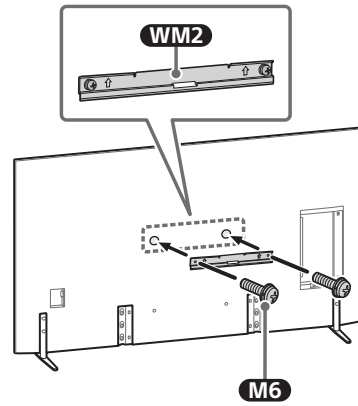
- 1 Skinite vijke sa stražnje strane TV-a.



2 Pričvrstite **WM2** na TV pomoću **M6**.

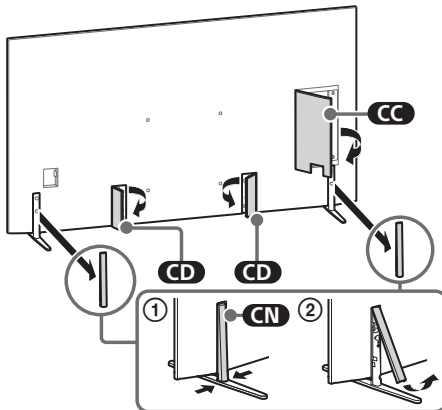


3 Pričvrstite **WM2** na TV pomoću **M6**.

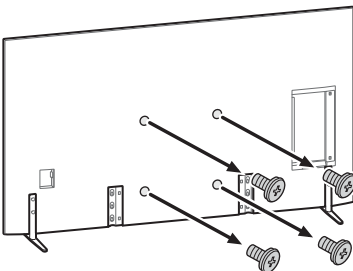


Postavljanje TV-a na zid s postolja za stol

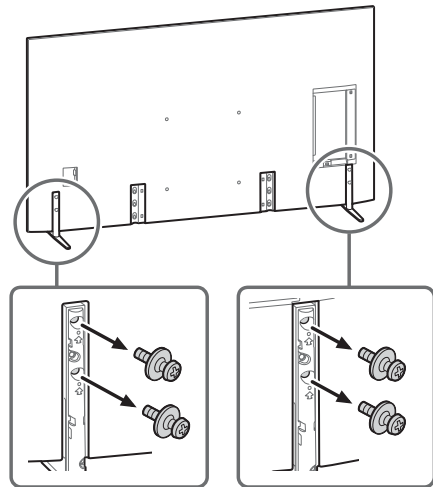
1 Skinite navlake s postolja i pokrove terminala.



2 Skinite vijke sa stražnje strane TV-a.



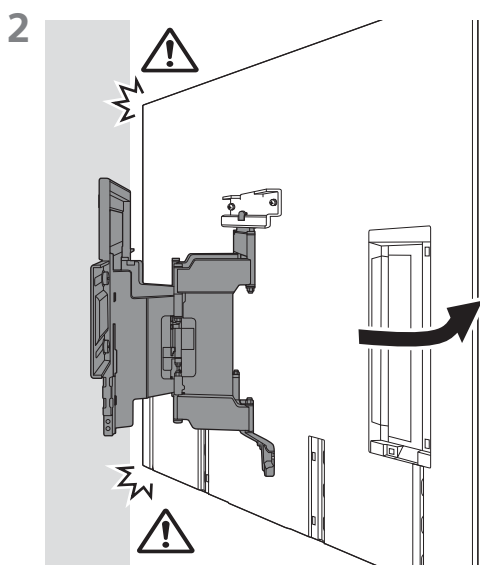
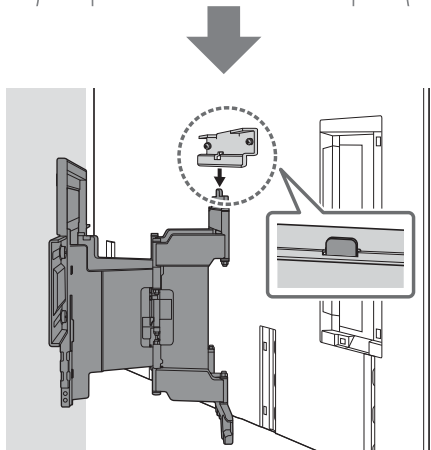
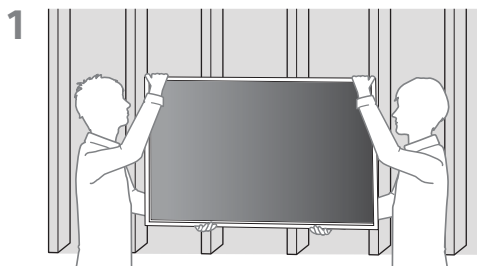
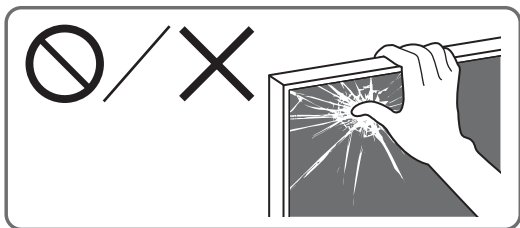
4 Skinite Postolje za stol s TV-a.



Napomena

- Pažljivo podižite TV kada je postolje za stol uklonjeno jer bi se postolje za stol moglo prevrnuti i uzrokovati ozljede.
- Pažljivo uklanjajte postolje za stol s TV-a kako ne bio palo i oštetilo površinu na koju je postavljen TV.

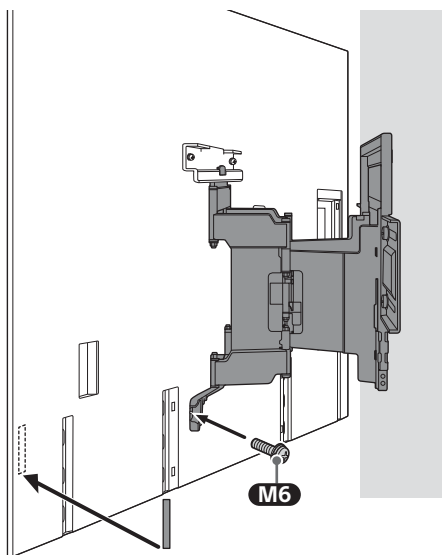
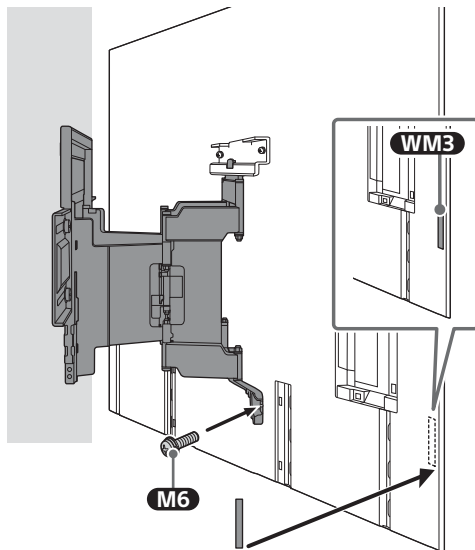
Postavljanje televizora na zid

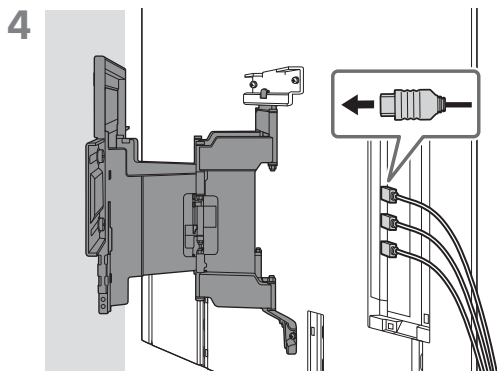


3 Zategnite lijevu i desnu stranu nosača za postavljanje na zid pomoću **M6** i pričvrstite **WM3**.

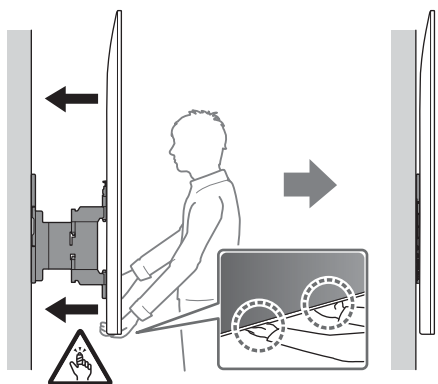
Napomena

- Ne pričvršćujte **WM3** na naljepnice.



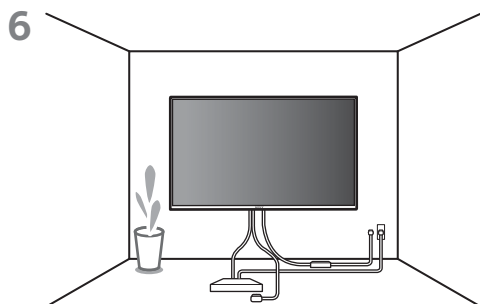


5 Kada pomičete TV prijemnik, čvrsto ga primite s donje strane.



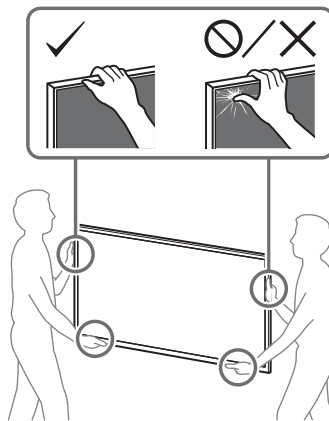
Napomena

- TV se možda neće moći kretati u blizini zida ovisno o vrsti i broju priključenih kabela. To nije kvar.



UPOZORENJE

- Za prijenos velikog TV-a potrebne su dvije ili više osoba (tri ili više osoba za TV od 189,3 cm (75 inča) i više) (osim Egipat).
- Za prijenos velikog TV-a potrebne su dvije ili više osoba (tri ili više osoba za TV od 75 inča (189,3 cm) i više) (samo Egipat).



Potvrda dovršetka postavljanja

Provjerite sljedeće.

- Uže i kabel nisu uvrnuti ili priklješteni.

UPOZORENJE

- Nepravilan smještaj kabela za napajanje izmjeničnom strujom može uzrokovati požar ili strujni udar zbog kratkog spoja. Radi sigurnosti svakako potvrdite da ste dovršili postavljanje.

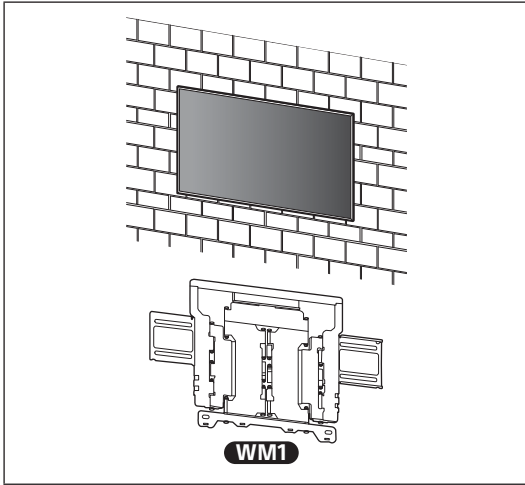
Druge informacije

Kada uklanjate televizor, obrnite postupak postavljanja.

UPOZORENJE

- Za prijenos velikog TV-a potrebne su dvije ili više osoba (tri ili više osoba za TV od 189,3 cm (75 inča) i više) (osim Egipat).
- Za prijenos velikog TV-a potrebne su dvije ili više osoba (tri ili više osoba za TV od 75 inča (189,3 cm) i više) (samo Egipat).

B Pričvršćivanje nosača za postavljanje na zid na puni betonski zid ili betonske blokove



Montaža nosača za postavljanje na zid

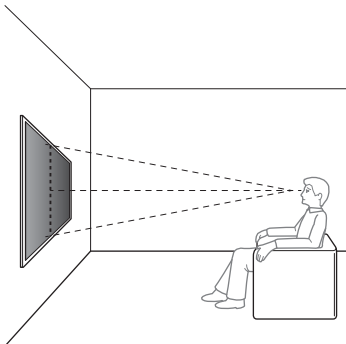
1 Odlučite o mjestu postavljanja.

Provjerite ima li na zidu dovoljno mjesta za TV, te može li nositi najmanje šesterostruku težinu TV-a.

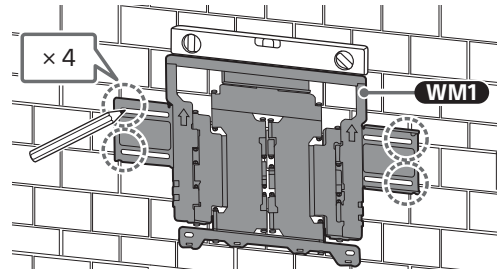
- Pogledajte »Mjere za nosač za postavljanje na zid« na stranici 18.
- U Referentnom vodiču svog TV-a potražite težinu TV-a.

Napomena

- Kad je Vaš TV postavljen na zid, gornja strana TV-a malo je nagnuta naprijed.
- Preporučujemo da provjerite položaj TV prijelnika u okruženju.



2 Poravnajte WM1 sa zidom i označite četiri rupe.

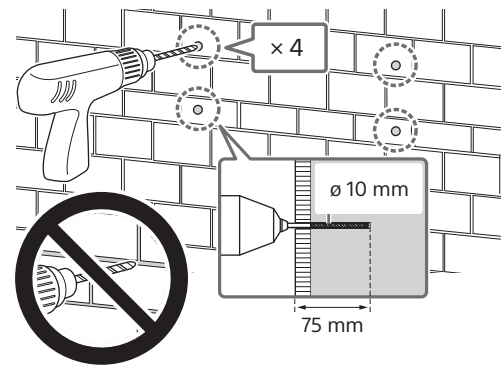


Napomena

- Libelom provjerite je li WM1 ravan.

3 Izbušite rupice na oznakama.

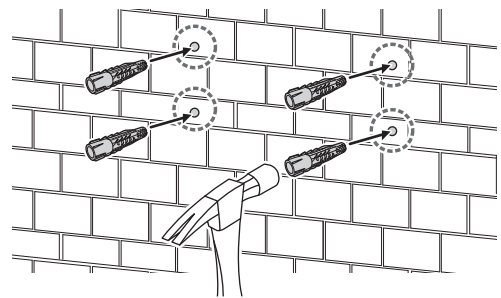
Provjerite je li mjesto na zidu za bušenje rupa dovoljno čvrsto da podnese težinu najmanje šest puta veću od težine TV-a.



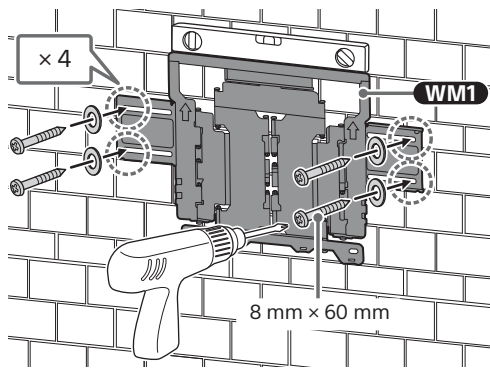
Napomena

- Pilot rupe moraju se izbušiti do dubine od 75 mm, pomoću borera debljine 10 mm.

4



- 5 Pričvrstite **WM1** na zid odgovarajućim vijcima (nisu isporučeni u kompletu) i podloškama (nisu isporučene u kompletu).



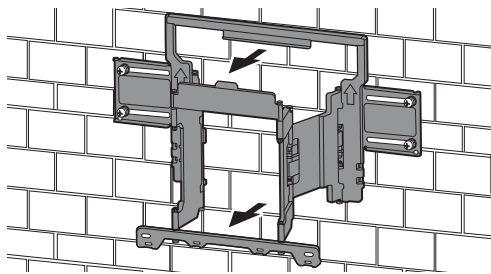
Napomena

- Libelom provjerite je li **WM1** ravan.

Mjere opreza

- Ne prezatežite vijke za drvo 8 mm x 60 mm. Neodgovarajuća sila zatezanja može umanjiti nosivost vijka za drvo 8 mm x 60 mm.

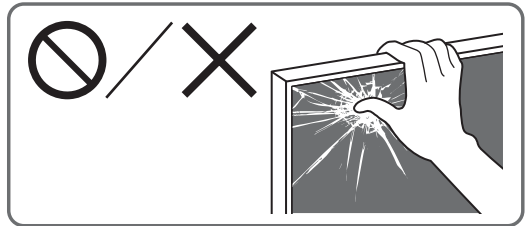
- 6 Razvucite krak nosača do kraja.



Priprema za postavljanje televizora na zid

Napomena

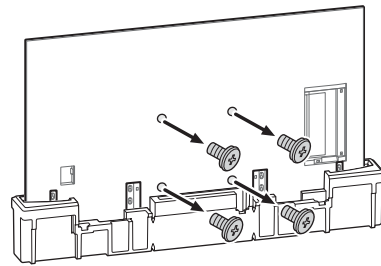
- Uklonjene vijke i neiskorištene dijelove spremite na sigurno mjesto, držeći ih dalje od djece.



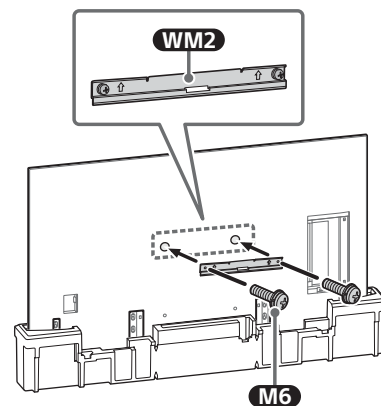
Postavljanje TV-a na zid iz kutije*1

- *1 Samo za određenu regiju/zemlju/model.

- 1 Skinite vijke sa stražnje strane TV-a.

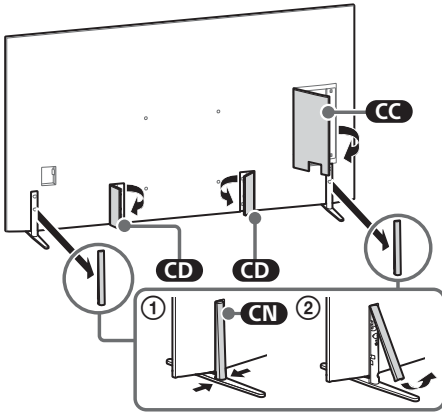


- 2 Pričvrstite **WM2** na TV pomoću **M6**.

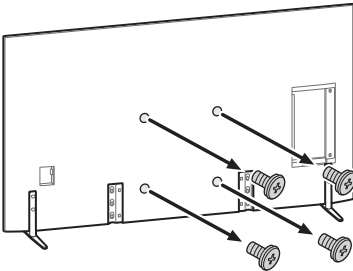


Postavljanje TV-a na zid s postolja za stol

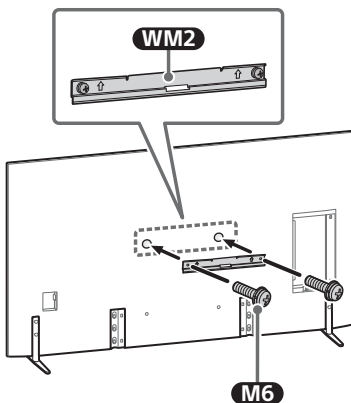
- 1 Skinite navlake s postolja i pokrove terminala.



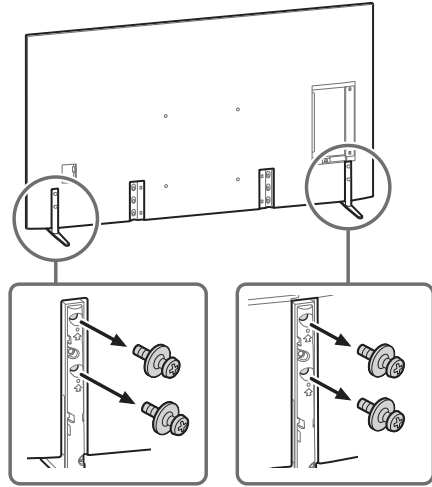
- 2 Skinite vijke sa stražnje strane TV-a.



- 3 Pričvrstite **WM2** na TV pomoću **M6**.



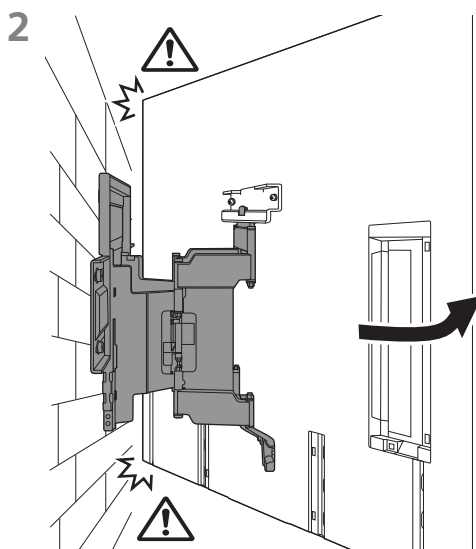
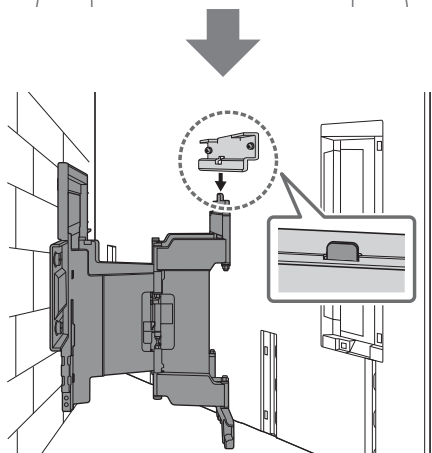
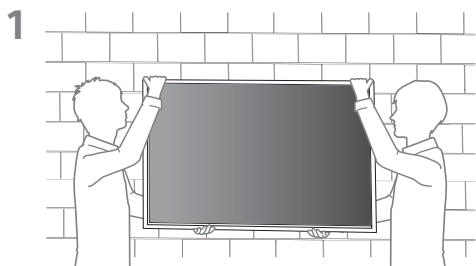
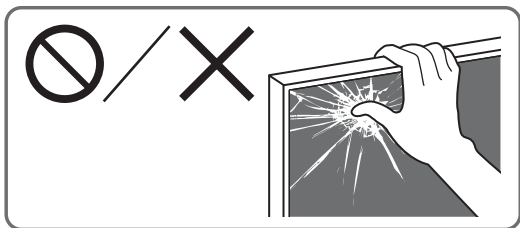
- 4 Skinite Postolje za stol s TV-a.



Napomena

- Pažljivo podižite TV kada je postolje za stol uklonjeno jer bi se postolje za stol moglo prevrnuti i uzrokovati ozljede.
- Pažljivo uklanjajte postolje za stol s TV-a kako ne bio palo i oštetilo površinu na koju je postavljen TV.

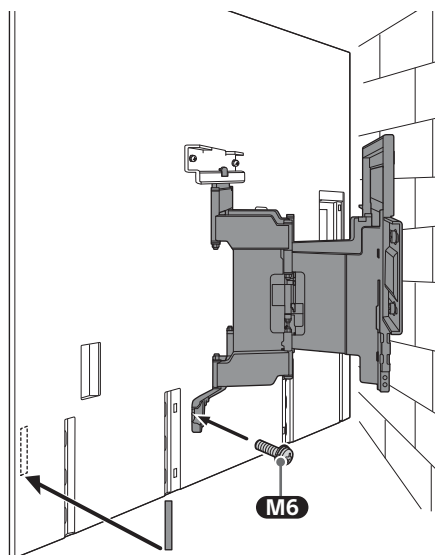
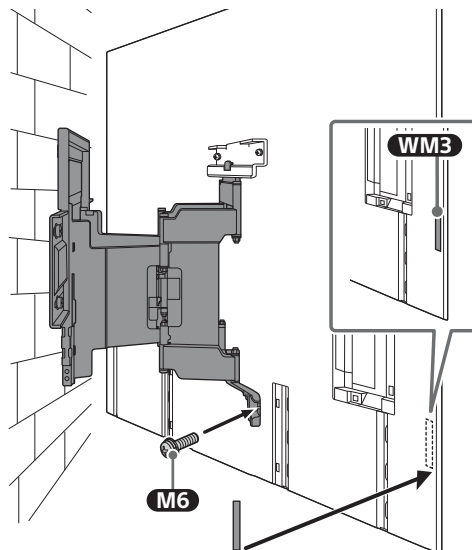
Postavljanje televizora na zid

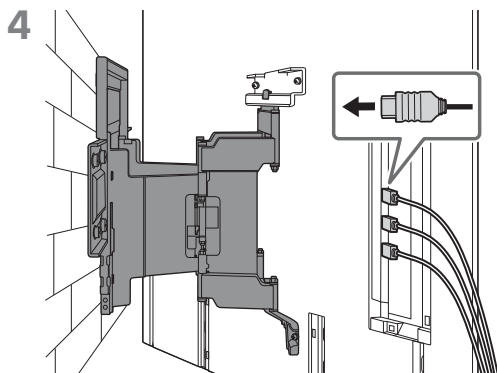


3 Zategnite lijevu i desnu stranu nosača za postavljanje na zid pomoću **M6** i pričvrstite **WM3**.

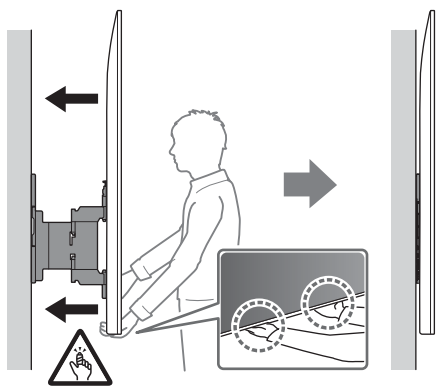
Napomena

- Ne pričvršćujte **WM3** na naljepnice.



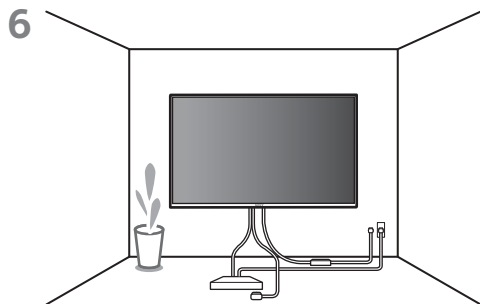


5 Kada pomičete TV prijemnik, čvrsto ga primite s donje strane.



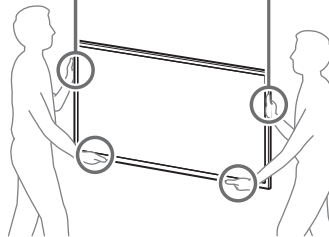
Napomena

- TV se možda neće moći kretati u blizini zida ovisno o vrsti i broju priključenih kabela. To nije kvar.



UPOZORENJE

- Za prijenos velikog TV-a potrebne su dvije ili više osoba (tri ili više osoba za TV od 189,3 cm (75 inča) i više) (osim Egipat).
- Za prijenos velikog TV-a potrebne su dvije ili više osoba (tri ili više osoba za TV od 75 inča (189,3 cm) i više) (samo Egipat).



Potvrda dovršetka postavljanja

Provjerite sljedeće.

- Uže i kabel nisu uvrnuti ili priklješteni.

UPOZORENJE

- Nepravilan smještaj kabela za napajanje izmjeničnom strujom može uzrokovati požar ili strujni udar zbog kratkog spoja. Radi sigurnosti svakako potvrdite da ste dovršili postavljanje.

Druge informacije

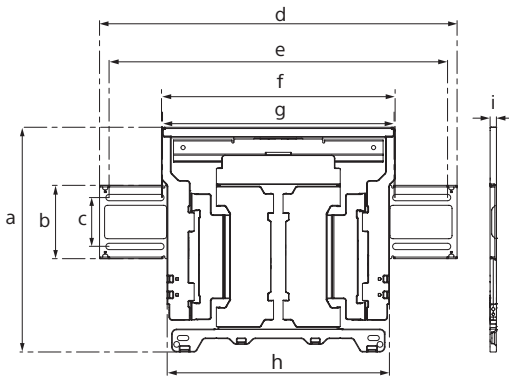
Kada uklanjate televizor, obrnite postupak postavljanja.

UPOZORENJE

- Za prijenos velikog TV-a potrebne su dvije ili više osoba (tri ili više osoba za TV od 189,3 cm (75 inča) i više) (osim Egipat).
- Za prijenos velikog TV-a potrebne su dvije ili više osoba (tri ili više osoba za TV od 75 inča (189,3 cm) i više) (samo Egipat).

Specifikacije

WM1



Dimenzije: (približ.) [mm]

a : 354

b : 116

c : 77

d : 563

e : 533

f : 370

g : 368

h : 350

i : 11

Težina (samo baza): (približ.) [kg]

3,0

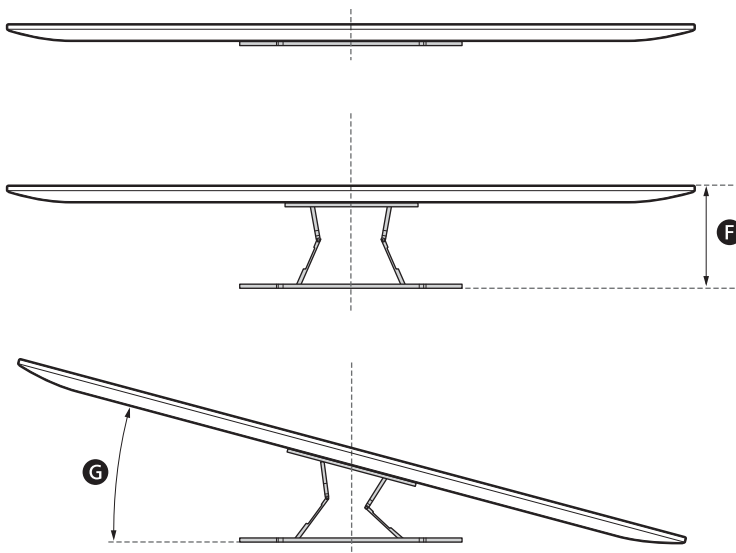
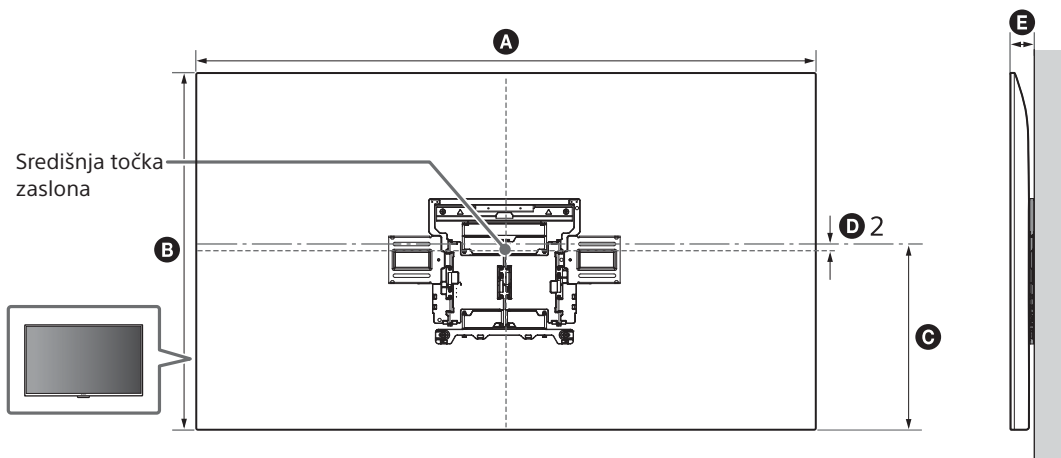
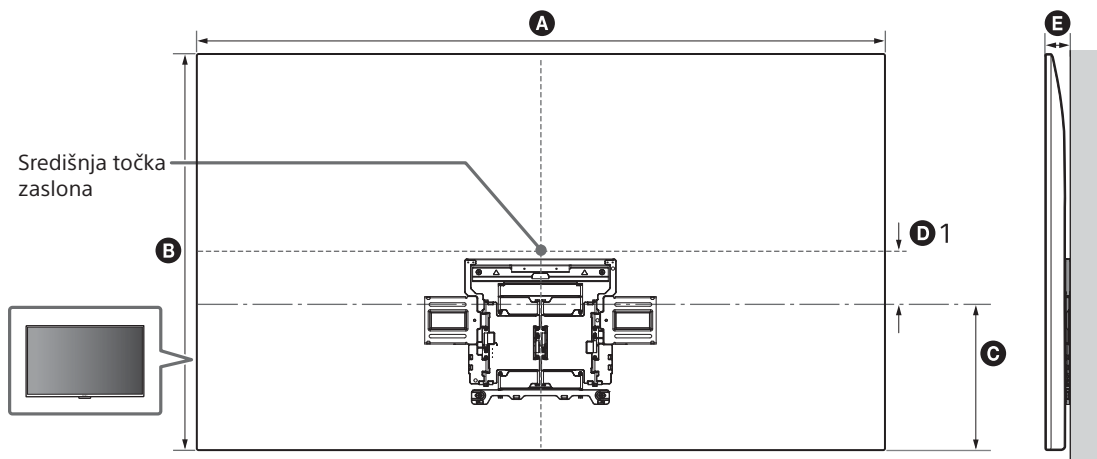
Dizajn i specifikacije podložne su promjenama bez obavijesti.

HR

Reference

Mjere za nosač za postavljanje na zid

Podaci u tablici mogu neznatno odstupati ovisno o instalaciji.



(mm)

Naziv modela	A	B	C	D 1	D 2	E	F ^{*1}	G ^{*1} (°)
K-77XR8x	1 713	984	362	139	–	48	251,4	12
K-65XR8x	1 442	829	362	57	–	48	250,8	17
K-55XR8x	1 223	706	362	–	3	48	250,8	19

*1 (Približ.)

Sony қабырғаға орнататын кронштейнді (SU-WL850) пайдалану туралы орнату ақпараты

Қолдау көрсетілетін моделдер*1:

*1 Нақты модель атауындағы «х»/«хх» белгісі әрбір арнайы модель үшін сандарды және/немесе таңбаларды көрсетеді.

K-77XR8x / 65XR8x / 55XR8x

Тұтынушыларға

Өнім қорғанысы және қауіпсіздік себептері үшін Sony компаниясы ТД-ды орнату Sony дилерлері немесе лицензияланған мердігерлер тарапынан орындалуын қатаң ұсынады. Оны өзіңіз орнатуға әрекет етпеңіз.

Sony дилерлері мен мердігерлеріне

Бұл өнімді орнату, мерзімді түрде техникалық қызмет көрсету және тексеру барысында қауіпсіздікке толық назар аударыңыз.

Бұл өнімді орнату үшін, әсіресе ТД ауырлығын көтеріп тұру үшін қабырғаның бекемдігін анықтау үшін тиісті сараптама жасау керек. Бұл өнімді қабырғаға бекітуді Sony дилерлеріне немесе лицензияланған мердігерлерге тапсырыңыз және орнату барысында қауіпсіздікке тиісті назар аударыңыз. Қате қолдану немесе қате орнату арқылы кез келген зақым немесе жарақат үшін Sony компаниясы жауапты емес.

Қауіпсіздік және дұрыс орнату үшін қабырғаға орнататын кронштейн пайдалану нұсқауларын, ТД орнату нұсқаулығын және осы нұсқаулықтағы нұсқауларды орындаңыз.

Қабырғаға орнататын кронштейн

Қауіпсіздік туралы

Осы өнімді сатып алғаныңыз үшін рақмет.

Тұтынушыларға

Теледидарды қабырғаға бекіту



КӘСІБИ ТҮРДЕ ОРНАТЫЛУЫ КЕРЕК

Бұл өнімді тек қабырғаның теледидар салмағына шыдамдылығын анықтауға жаттықтырылған кәсіби орнатқыш орнатуы керек. Егер орнату барысында дұрыс бекітілмесе, теледидар құлап, едәуір жарақаттауы мүмкін. Sony компаниясы дұрыс пайдаланбау, дұрыс орнатпау немесе көрсетілген өнімнен басқасын пайдалану салдарынан туындайтын кез келген зақым немесе жарақат үшін жауапты болмайды. Заңды құқығыңыз (қандай да бір) жарамайды.

Сону дилерлері үшін

Осы құрылғыны орнатуға жеткілікті түрде тәжірибе қажет. Орнату жұмыстарын қауіпсіз түрде орындау үшін осы пайдалану нұсқаулығын толық оқып шығыңыз. Сону дұрыс қолданбау немесе дұрыс орнатпау салдарынан болған зақымдарға немесе жарақатқа жауапты емес. Орнатқаннан кейін тұтынушыға осы нұсқаулықты беріңіз.

Осы пайдалану нұсқаулығы өнімнің дұрыс қолданылуын және зақымды болдырмауға қажетті алдын алу шараларын көрсетеді. Осы пайдалану нұсқаулығындағы барлық нұсқауларды оқу, мұқият түсіну және орындау сіздің жауапкершілігіңізде. Олай істемеу едәуір адам жарақатына немесе мүлік зақымына және кепілдіктің күшінің жойылуына себеп болуы мүмкін. Болашақта ақпарат алу үшін осы нұсқаулықты қолжетімді жерде сақтаңыз.

Sony өнімдері қауіпсіздікті ескере отырып жасалған. Өнімдер дұрыс қолданылмаса, өрт, ток соғу, өнімнің құлауы немесе оны лақтыру салдарынан ауыр жарақатқа әкелуі мүмкін. Осындай жағдайлардың алдын алу үшін алдын алу шараларын қараңыз.

Өнімнің күні мен штрих-кодында штрих-код таңбасының коды келесі форматта көрсетіледі: ЖЖЖЖ / ММ, мұнда ЖЖЖЖ - жыл ММ - өндіріс мезгілі.

Өндіруші: Сони Корпорейшн

Өндіруші мекенжайы: 1-7-1 Конан Минато-ку Токио, 108-0075 Жапония

Қытайда жасалған

АБАЙ БОЛЫҢЫЗ!

Арнайы құрылғылар

Қабырғаға орнататын кронштейн теледидарға арналған құрылғылармен бірге қолдану үшін жасалған. Қабырғаға орнататын кронштейнді пайдалануға болатынын тексеру үшін теледидарға арналған «Анықтама нұсқаулығы» бөлімін қараңыз.

Тұтынушыларға

ЕСКЕРТУ

Осы алдын алу шаралары сақталмаса, өрт, ток соғу немесе құрылғының құлауы салдарынан ауыр жарақатқа немесе өлімге әкелуі мүмкін.

Орнату жұмыстарын лицензиясы бар мердігерлер жасауы керек және құрылғыны орнату кезінде кішкентай балаларды алыс ұстаңыз.

Қабырғаға орнататын кронштейн немесе теледидар дұрыс орнатылмаса, келесі жағдайлар болуы мүмкін. Лицензиясы бар мердігерлер орнату жұмыстарын жүргізе алатындығына көз жеткізіңіз.

- Теледидар құлап, дененің көгеруі немесе сынық секілді ауыр жарақаттарға әкелуі мүмкін.
- Қабырғаға орнататын кронштейн орнатылатын қабырға тұрақсыз, қисық болса немесе еденге перпендикуляр болмаса, құрал құлап, жарақатқа не мүліктің зақымдануына әкелуі мүмкін. Қабырға кемінде осындай алты теледидардың салмағын көтере алатындай болуы керек. (Салмағын тексеру үшін теледидардың «Анықтама нұсқаулығы» бөлімін қараңыз.)
- Қабырғаға орнататын кронштейн қабырғаға берік бекітілмесе, құрал құлап, жарақатқа немесе мүліктің зақымдануына әкелуі мүмкін.

Балалар үшін

- Балаларға теледидар үстіне шығуға рұқсат бермеңіз.
- Ұсақ жабдықтарын балалардан аулақ ұстаңыз, жұтып қоймасын.

Теледидарды тасымалдау немесе бөлшектеу жұмыстарын лицензиясы бар мердігерлер жасауы керек.

Лицензия бар мердігерлерден басқа адамдар теледидарды тасымалдаса немесе бөлшектесе, ол құлап, жарақатқа немесе мүліктің зақымдануына әкелуі мүмкін. Үлкен ТД-ды тасымалдау үшін екі немесе көбірек адам (189,3 см (75 дюйм) және одан үлкен ТД үшін үш немесе көбірек адам) керек (Мысырды қоспағанда). Үлкен ТД-ды тасымалдау үшін екі немесе көбірек адам (75 дюйм (189,3 см) және одан үлкен ТД үшін үш немесе көбірек адам) керек (тек Мысыр үшін).

Теледидарды бекіткеннен кейін бұрандаларды және т.б. босатпаңыз.

Егер солай істейтін болсаңыз, теледидар құлауы немесе мүліктің зақымдануы мүмкін.

Қабырғаға орнататын кронштейннің бөлшектерін ауыстырмаңыз.

Егер солай істейтін болсаңыз, қабырғаға орнататын кронштейн құлауы немесе мүліктің зақымдануы мүмкін.

Арнайы құрылғыдан басқа құралды бекітпеңіз.

Осы қабырғаға орнататын кронштейн тек арнайы құрылғылармен бірге қолдану үшін жасалған. Арнайы құрылғыдан бөлек құралды бекітсеңіз, ол құлап не сынып, жарақатқа не мүліктің зақымдануына әкелуі мүмкін.

Қабырғаға орнататын кронштейнге теледидардан басқа затты қолданбаңыз. Теледидарды солға/оңға, жоғары/төмен шайқамаңыз.

Егер солай істейтін болсаңыз, теледидар құлауы немесе мүліктің зақымдануы мүмкін.

Теледидарға сүйенбеңіз немесе асылып тұрмаңыз.

Теледидарға сүйенсеңіз не асылып тұрсаңыз, ол сізге құлап, ауыр жарақат алуыңыз мүмкін.

АБАЙ БОЛЫҢЫЗ!

Осы алдын алу шаралары сақталмаса, жарақат алуыңыз немесе мүлік зақымдануы мүмкін.

- Қабырғаға орнатылатын кронштейнді қолдану немесе теледидарды бұру кезінде саусақтарыңыз қысылып қалмасын.
- ТД жинағын бұрғанда, оны абайлап ұстаңыз және жақын маңдағы адамдарға тиіп кетпеуін қадағалаңыз.
- Пайдаланылмаған бөліктерді болашақта пайдалану үшін қауіпсіз жерге сақтап қойыңыз. Оларды балалардан аулақ ұстаңыз.

Құрылғыны тазалау не оған күтім жасау кезінде қатты күш салмаңыз.

Теледидардың жоғарғы бөлігіне қатты күш салмаңыз. Егер солай істейтін болсаңыз, теледидар құлауы немесе мүліктің зақымдануы мүмкін.

Бұл өнімді медициналық құрылғыларға жақын қоймаңыз.

Бұл өнімнің (соның ішінде керек-жарақтарының) құрамында кардиостимуляторлардың, суми ауруын емдеу үшін қолданылатын бағдарламаланатын түйіқтағыш клапандардың немесе басқа медициналық құрылғылардың жұмысына кедергі жасауы мүмкін магнит(тер) бар. Бұл өнімді осындай медициналық құрылғыларды пайдаланатын тұлғаларға жақын қоймаңыз. Осындай кез келген медициналық құрылғыны пайдаланатын болсаңыз, бұл өнімді пайдаланудан бұрын дәрігеріңізбен кеңесіңіз.

Балалардың немесе бақылануы тиіс тұлғалардың қолы жетпейтін жерде сақтаңыз.

Бұл өнімнің (соның ішінде керек-жарақтарының) құрамында магнит(тер) бар. Магниттерді (немесе магнитті) жұтып қою қақалу қауіпі немесе ішектердің зақымдануы сияқты ауыр жарақатқа алып келуі мүмкін. Егер магниттер (немесе магнит) жұтылып қалса, дереу дәрігермен кеңесіңіз.

Алдын алу шаралары

- Қабырғаға орнататын кронштейнге орнатылған теледидарды ұзақ уақыт бойы пайдалансаңыз, қабырғаның материалына байланысты теледидар артындағы не үстіндегі түс өзгеруі немесе тұсқағаздың түсі кетуі мүмкін.
- Қабырғаға орнататын кронштейнді орнатқаннан кейін қайта алсаңыз, қабырғада бұранда санылаулары қалады.
- Қабырғаға орнататын кронштейнді механикалық тербеліс әсер ететін орында пайдаланбаңыз.

Қабырғаға орнататын кронштейнді орнату

Sony дилерлері үшін

ЕСКЕРТУ

Келесі нұсқаулар тек Sony дилерлеріне арналған. Жоғарыда берілген алдын алу шараларын оқып шығыңыз және осы құрылғыны орнату, оған күтім жасау, оны тексеру кезінде аса назар аударыңыз.

Қабырғаға орнататын кронштейнді теледидардың бұрыштары не қапталы қабырға бетінен шығып тұратын орындарға орнатпаңыз.

Қабырғаға орнататын кронштейнді теледидардың бұрыштары не қапталы қабырға бетінен шығып тұратын баған секілді орындарға орнатпаңыз. Адам немесе басқа зат теледидардың шығып тұған бұрышына не қапталына соқса, ол жарақат алуы немесе мүлік зақымдануы мүмкін.

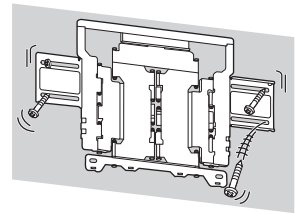


Теледидардың салқындатқыштың үстіне не астына орнатпаңыз.

Теледидарға салқындатқыштан ұзақ уақыт бойы су тамшылары ақса не салқын ауа соқса, ол өртке, ток соғуға немесе теледидардың дұрыс жұмыс істемеуіне әкелуі мүмкін.

Қабырғаға орнататын кронштейнді осы пайдалану нұсқаулығына сүйене отырып мықтап бекітіңіз.

Бұрандалардың бірі жоғалып не түсіп қалған болса, қабырғаға орнататын кронштейн құлап, жарақатқа немесе мүліктің зақымдануына әкелуі мүмкін. Қабырға материалына жарайтын бұрандаларды пайдаланыңыз және диаметрі 8 мм-лік (немесе соған шамалас) төрт бұранданың көмегімен құрылғыны мықтап орнатыңыз.



Берілген бұрандалар мен бекіту бөлшектерін осы пайдалану нұсқаулығындағы нұсқауларға сүйене отырып дұрыс пайдаланыңыз. Қосалқы элементтерді пайдалансаңыз, теледидар құлап, біреуге дене жарақатын салуы немесе теледидарды зақымдауы мүмкін.

Пайдалану нұсқаулығында берілген процедураларға сүйене отырып кронштейнді дұрыстап құрастырыңыз.

Бұрандалардың бірі жоғалса немесе түсіп қалған болса, теледидар құлап, біреуге дене жарақатын салуы немесе теледидарды зақымдауы мүмкін.

Бұрандалар көрсетілген орында мықтап бекітілуі керек.

Осылай орындалмаса, теледидар құлап, біреуге дене жарақатын салуы немесе теледидарды зақымдауы мүмкін.

Орнату кезінде теледидарды соғып алмаңыз.

Теледидарды соғып алсаңыз, ол құлауы немесе сынуы мүмкін. Бұдан жарақат алуыңыз мүмкін.

Теледидарды қабырға мен еденге перпендикуляр болатындай етіп орнату керек.

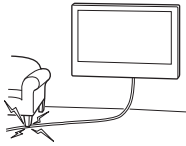
Егер солай болмаса, теледидар құлауы немесе жарақат алуыңыз мүмкін.

Теледидар дұрыс орнатылғаннан кейін кабельдерді дұрыс бекітіңіз.

Адамдар немесе басқа заттар кабельге оралатын болса, жарақатқа не теледидардың зақымдануына әкелуі мүмкін.

Айнымалы ток сымы немесе қосу кабелі қысылып қалмауы керек.

Айнымалы ток сымы немесе қосу кабелі құрал мен қабырға арасында қысылып қалса, майысқан немесе күштеп оралған болса, ішкі бағыттағыштар зақымданып, қысқа тұйықталуға немесе электр көзінің үзілуіне себеп болуы мүмкін. Бұл өрттің пайда болуына немесе ток соғуға әкелуі мүмкін.



Қабырғаға орнататын кронштейнді қабырғаға бекітуге қажетті бұрандалар берілмеген.

Қабырғаға орнататын кронштейнді бекіту кезінде қабырғаның материалы мен құрылымына сай бұрандаларды пайдаланыңыз.

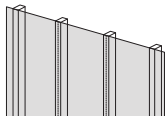
Іске кіріспес бұрын

- Бұл нұсқаулықта көрсетілген теледидар суреттері әрекеттердің анық түсіндірмелерін қамтамасыз ету үшін пайдаланылатын мысалдар болып табылады. Осы себепті суреттер іс жүзіндегі теледидардан басқаша көрінуі мүмкін.

Қабырға неден жасалған?

Алдымен теледидар орнатылатын қабырғаның түрін тексеріңіз.

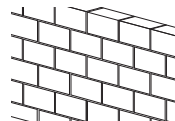
Профильдерге бекітілген гипсокартон



Алдын алу шаралары

- Гипсокартонның максималды қалыңдығы: 16 мм.
- Ішкі ағаш профильдің қалыңдығы жалпы орнату үшін 51 мм × 102 мм, ал шартты орнату үшін 38 мм × 89 мм екеніне көз жеткізіңіз.
- Бекіткіштер арасында кемінде 406 мм келденең бос орын қалуы керек.

Қатты бетон немесе бетон блок



Алдын алу шаралары

- Қабырғаға орнататын кронштейнді қатты бетон қабырғаға тікелей орнатыңыз.
- Қатты бетон қабырғаның қалыңдығы кемінде 203 мм екеніне көз жеткізіңіз.
- Өрбір бетон блоктың өлшемі кемінде 203 мм × 203 мм × 406 мм екеніне көз жеткізіңіз.

Бөлшектерді тексеру

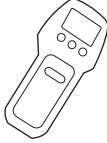

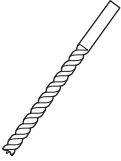
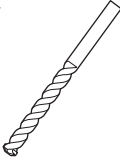
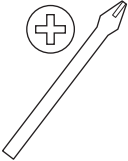
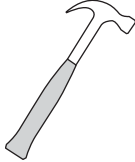
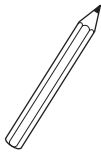

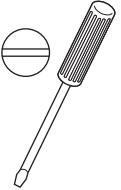
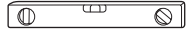


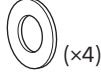
SU-WL850 құрылғысымен беріледі

- Барлық бөлшектердің бар екендігін тексеріңіз.

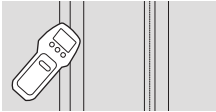
WM1 (×1) 	WM2 (×1) 	WM3 (×4)
M6 (×4) 	WT1 (×6) 	

Орнатуға дайындық

- Орнату алдында ТД анықтамалық нұсқаулығын және орнату нұсқаулығын алыңыз.
- Теледидар бекітілетін орынды анықтаңыз.
- Диаметрі 8 мм төрт бұранданы және сәйкес төрт шайбаны дайындаңыз (жинаққа кірмейді). Қабырғаның материалына сай келетін бұрандаларды таңдаңыз.
- Келесі құралдарды пайдаланыңыз:

*1 		 5,5 мм  10 мм	
*2 		 1,5 Н·м {15 кгк·см}	*3  1,5 Н·м {15 кгк·см}
	*2  (x4)	*4  (x4) 8 мм × 60 мм	*4  (x4)

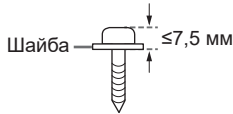
*1 Тек профильдерге орнатылған гипсокартонға арналған



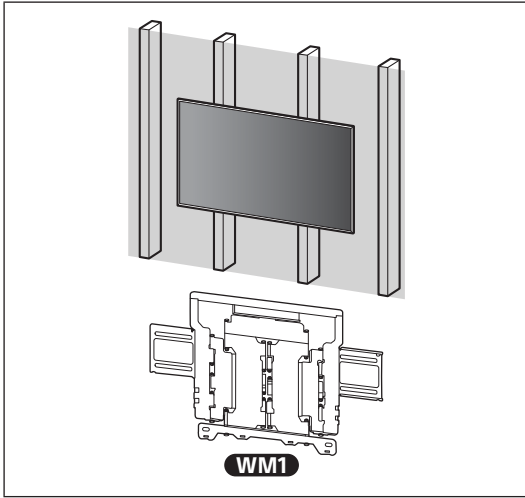
*2 Тек қатты бетонға немесе бетон блокқа арналған

*3 Үлгілерге байланысты

*4 Бұрандалар мен шайбаларды таңдаған кезде абай болыңыз



А Қабырғаға орнататын кронштейнді профильдерге бекітілген гипсокартонға бекіту



Қабырғаға орнатылатын кронштейнді қабырғаға орнату

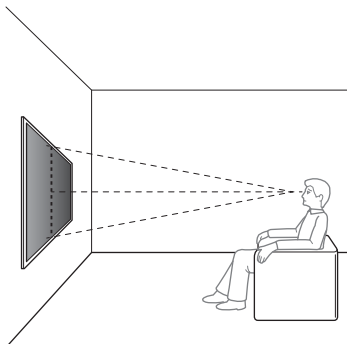
1 Орнатылатын орынды анықтаңыз.

Қабырғада теледидар үшін жеткілікті орын бар екенін және теледидардың кемінде алты есе ауырлығын көтере алатындаған тексеріңіз.

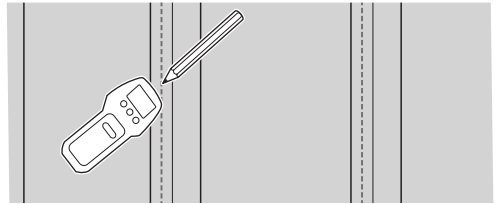
- 19-беттегі «Қабырғаға орнататын кронштейнді қабырғаға орнату үшін өлшеу» бөлімін қараңыз.
- Теледидардың салмағын тексеру үшін теледидардың «Анықтама нұсқаулығы» бөлімін қараңыз.

Нұсқау

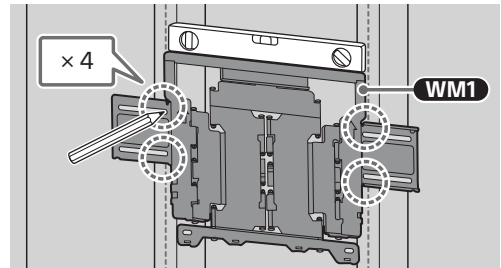
- ТД қабырғаға орнатылғанда ТД жоғарғы бөлігі аздап алға еңкейеді.
- Біз көру орнындағы теледидардың орналасуын тексеруді ұсынамыз.



2



3 **WM1** құралын қабырғаға туралап, профильдерге тураланған төрт белгі жасаңыз.

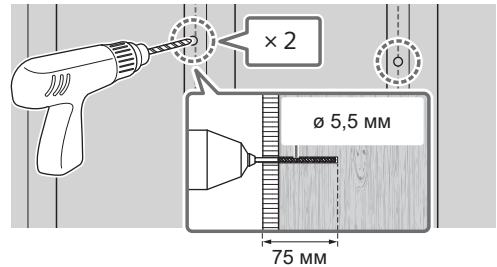


Нұсқау

- **WM1** деңгейін тексеру үшін деңгей тексеру құралын пайдаланыңыз.

4 Белгіленген жерлерге жоғарғы бекіту тесіктерін тесіңіз.

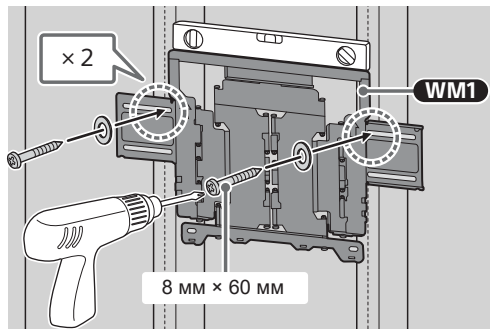
Қабырғадағы тесіктерді бұрғылайтын орын теледидардан кемінде алты есе көбірек салмақты ұстай алатындай күшті екенін тексеріңіз.



Нұсқау

- Орнату тесіктері 75 мм тереңдікте, диаметрі 5,5 мм бұрғы ұшымен тесілуі керек.

- 5** **WM1** құралын қабырғаға сәйкес келетін бұрандалармен (жинаққа кірмейді) және шайбалармен (жинаққа кірмейді) орнатыңыз.



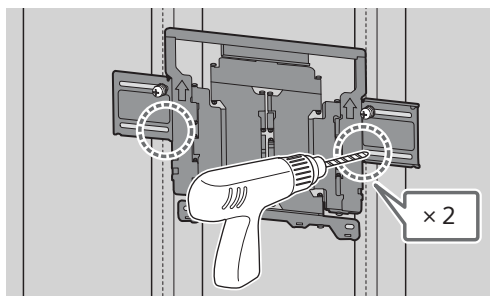
Нұсқау

- **WM1** деңгейін тексеру үшін деңгей тексеру құралын пайдаланыңыз.

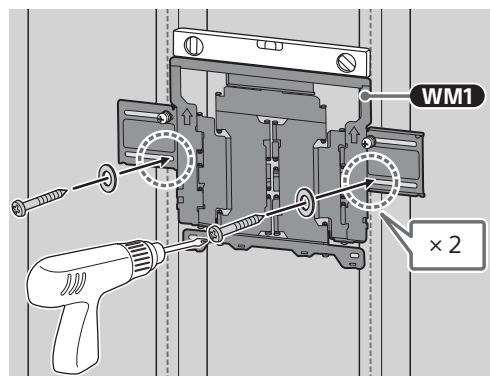
Сақтық шарасы

- 8 мм x 60 мм ағаш бұранданы шамадан тыс тартпаңыз. Дұрыс тартпасаңыз 8 мм x 60 мм ағаш бұранда ұстамауы мүмкін.

- 6** Белгіленген жерлерге төменгі бекіту тесіктерін тесіңіз. (Бұрғылау нұсқауларын 4-қадамнан көріңіз.)



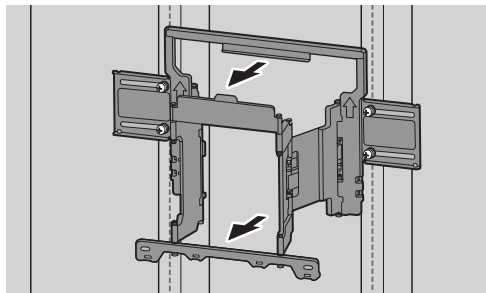
- 7** Тесіктерге сәйкес бұрандалар мен шайбаларды салыңыз.



Нұсқау

- **WM1** деңгейін тексеру үшін деңгей тексеру құралын пайдаланыңыз.

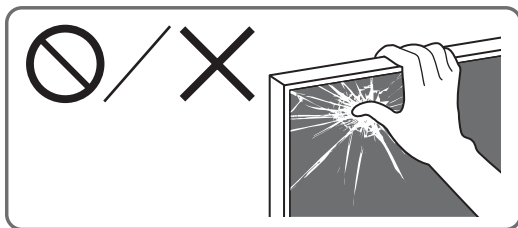
- 8** Кронштейннің қолын шетке қарай тартып жылжытыңыз.



Теледидарды орнатуға дайындау

Нұсқау

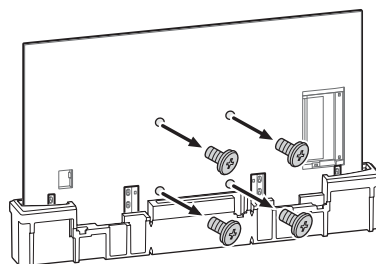
- Алынған бұрандаларды және пайдаланылмаған бөлшектерді қауіпсіз жерде, балалардан аулақ ұстаңыз.



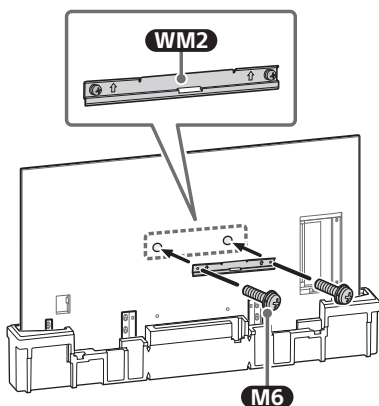
Теледидарды қабырғаға бекіту (қорабынан алып)*1

*1 Тек шектеулі аймақтарда/елдерде/үлгілерде.

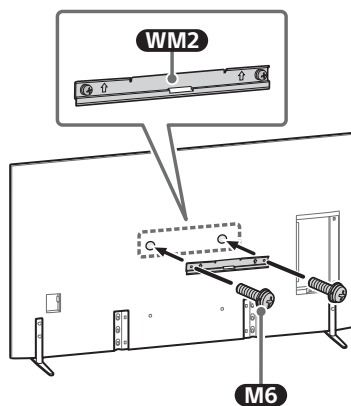
- 1** Теледидардың артындағы бұрандаларды алып тастаңыз.



2 **WM2** құралын теледидарға **M6** арқылы бекітіңіз.

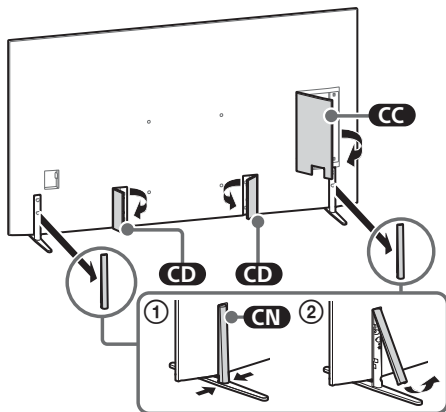


3 **WM2** құралын теледидарға **M6** арқылы бекітіңіз.

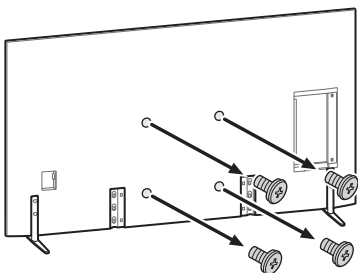


Теледидарды үстел тұғырынан алып қабырғаға бекіту

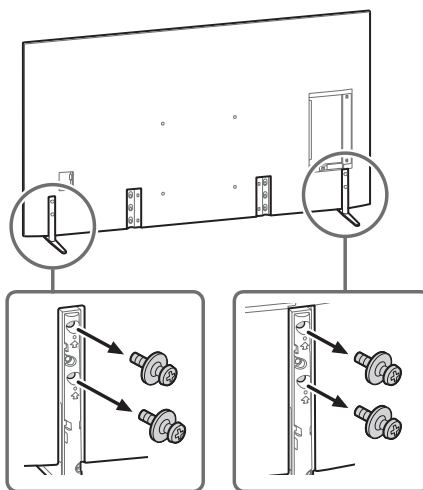
1 Тіректің қақпақтарын және терминал қақпақтарын алыңыз.



2 Теледидардың артындағы бұрандаларды алып тастаңыз.



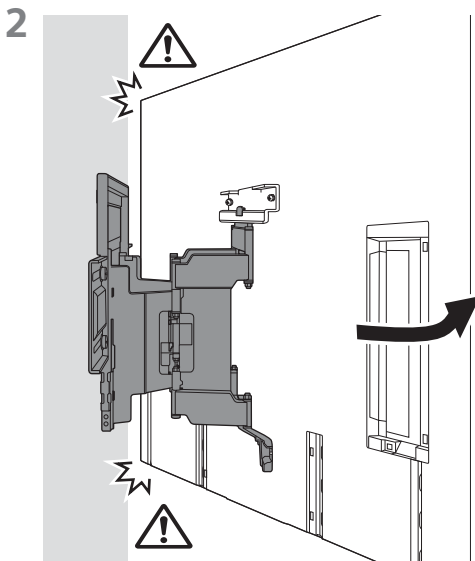
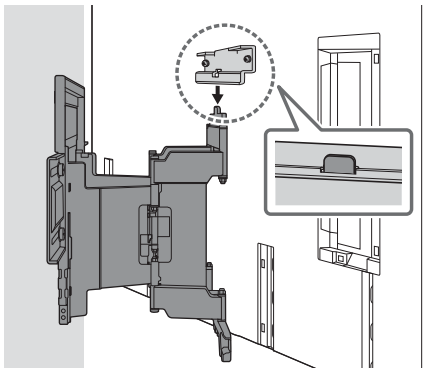
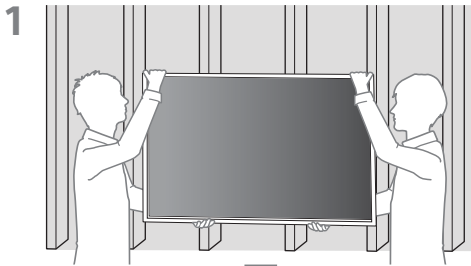
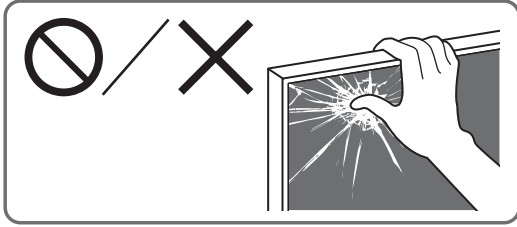
4 ТД-дан Үстел тұғырын ажыратыңыз.



Нұсқау

- Теледидарды көтергенде абай болыңыз, өйткені үстел тұғыры ажыратылып, жарамсыздыққа ұшырауы мүмкін.
- Теледидардан үстел тұғырын алу кезінде құлатып алудан және теледидар орнатылған бетке зақым келтіруден сақтық шараларын қолға алыңыз.

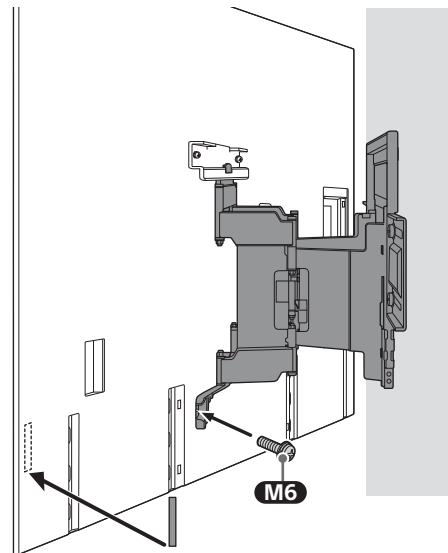
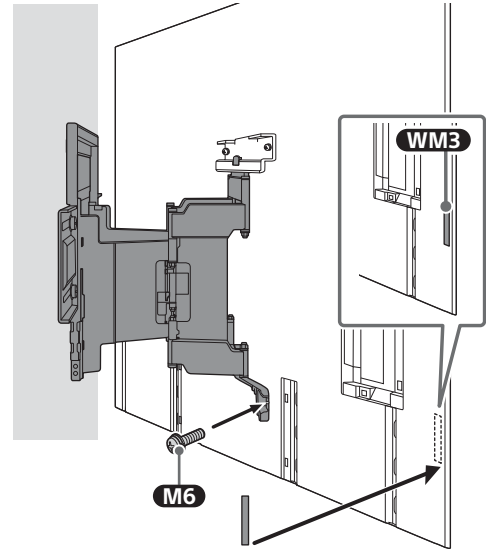
Қабырғаға теледидарды орнату



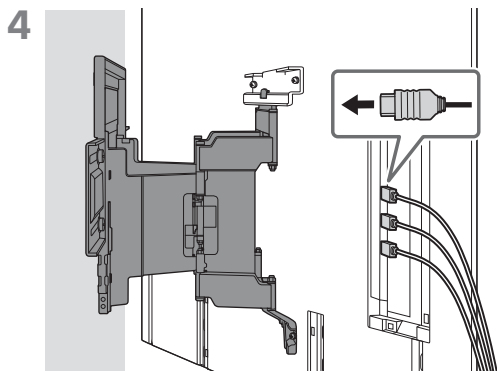
3 **M6** бұрандасының көмегімен қабырғаға орнататын кронштейннің сол және оң жағын бұрап, **WM3** құралымен бекітіңіз.

Нұсқау

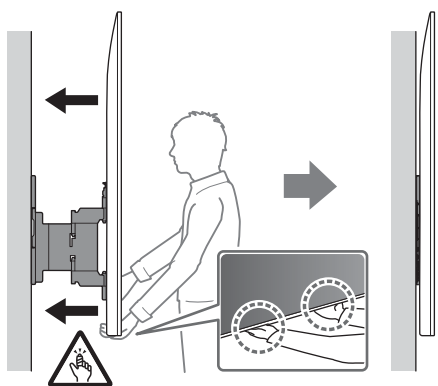
- **WM3** таспасын жапсырмаларға жапсырмаңыз.



KZ

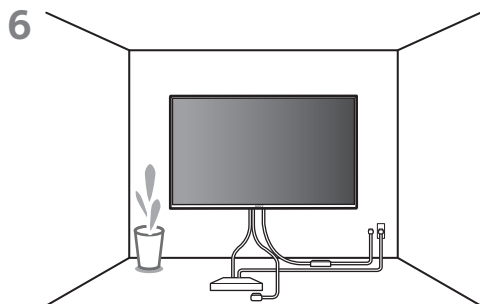


5 Теледидарды жылжитқан кезде, оны төменгі жағынан мықтап ұстаңыз.



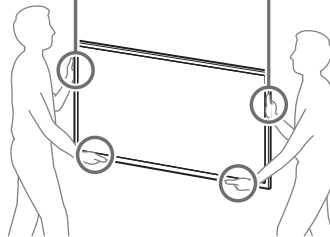
Нұсқау

- Жалғанған кабельдердің түріне және санына байланысты теледидар қабырғаға жақын қозғалмауы мүмкін. Бұл ақаулық емес.



ЕСКЕРТУ

- Үлкен ТД-ды тасымалдау үшін екі немесе көбірек адам (189,3 см (75 дюйм) және одан үлкен ТД үшін үш немесе көбірек адам) керек (Мысырды қоспағанда). Үлкен ТД-ды тасымалдау үшін екі немесе көбірек адам (75 дюйм (189,3 см) және одан үлкен ТД үшін үш немесе көбірек адам) керек (тек Мысыр үшін).



Орнатудың аяқталғандығын тексеру

Келесілерді тексеріңіз.

- Сым мен кабель оралмаған немесе қысылмаған.

ЕСКЕРТУ

- Айнымалы ток сымының немесе т.б. қате орналасуы қысқа тұйықталу салдарынан өрттің пайда болуына немесе ток соғу қаупіне әкелуі мүмкін. Орнату жұмыстарының қауіпсіздік талаптарына сай орындалғанына көз жеткізіңіз.

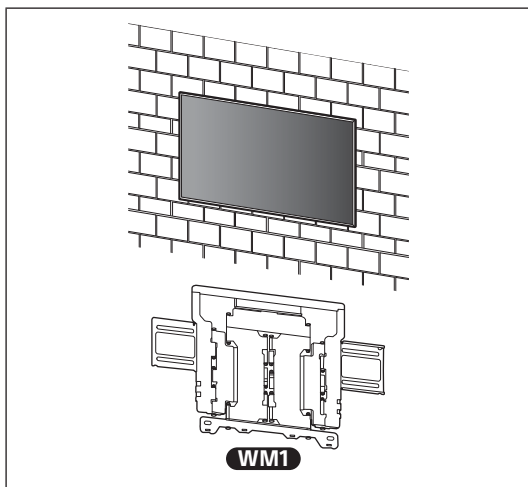
Басқа ақпарат

Теледидарды алған кезде алдыңғы орнату процедурасын керісінше орындаңыз.

ЕСКЕРТУ

- Үлкен ТД-ды тасымалдау үшін екі немесе көбірек адам (189,3 см (75 дюйм) және одан үлкен ТД үшін үш немесе көбірек адам) керек (Мысырды қоспағанда). Үлкен ТД-ды тасымалдау үшін екі немесе көбірек адам (75 дюйм (189,3 см) және одан үлкен ТД үшін үш немесе көбірек адам) керек (тек Мысыр үшін).

В Қабырғаға орнататын кронштейнді қатты бетонға немесе бетон блокқа бекіту



Қабырғаға орнатылатын кронштейнді қабырғаға орнату

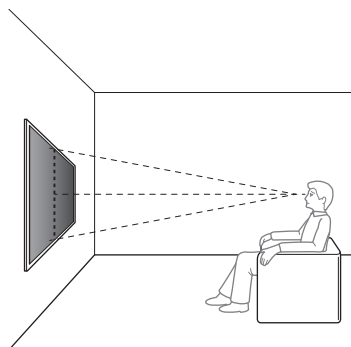
1 Орнатылатын орынды анықтаңыз.

Қабырғада теледидар үшін жеткілікті орын бар екенін және теледидардың кемінде алты есе ауырлығын көтере алатындаған тексеріңіз.

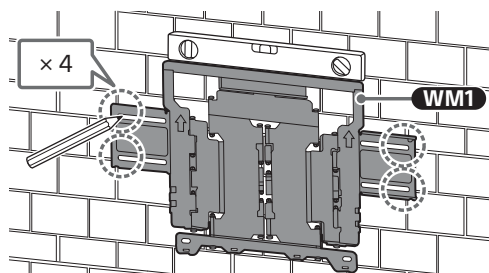
- 19-беттегі «Қабырғаға орнататын кронштейнді қабырғаға орнату үшін өлшеу» бөлімін қараңыз.
- Теледидардың салмағын тексеру үшін теледидардың «Анықтама нұсқаулығы» бөлімін қараңыз.

Нұсқау

- ТД қабырғаға орнатылғанда ТД жоғарғы бөлігі аздап алға еңкейеді.
- Біз көру орнындағы теледидардың орналасуын тексеруді ұсынамыз.



2 WM1 құралын қабырғаға туралап, төрт белгі жасаңыз.

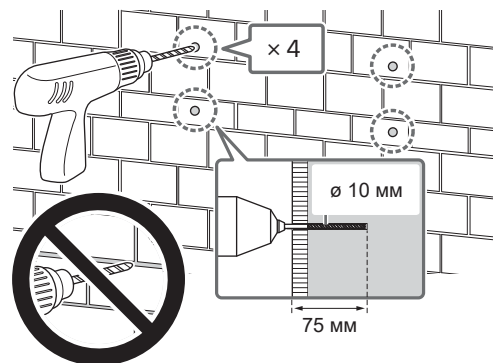


Нұсқау

- WM1 деңгейін тексеру үшін деңгей тексеру құралын пайдаланыңыз.

3 Белгіленген жерлерді орнату тесіктерін жасау үшін бұрғылаңыз.

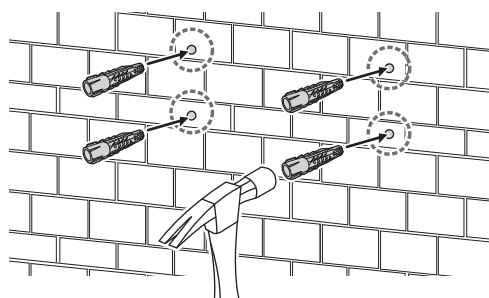
Қабырғадағы тесіктерді бұрғылайтын орын теледидардан кемінде алты есе көбірек салмақты ұстай алатындай күшті екенін тексеріңіз.



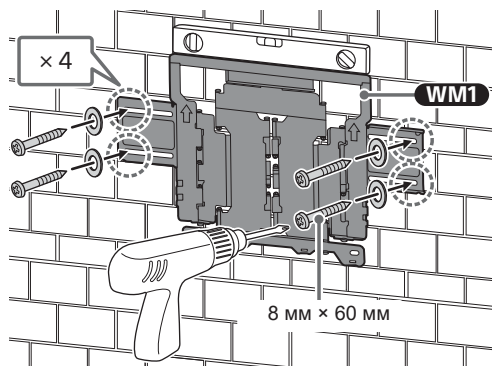
Нұсқау

- Орнату тесіктері 75 мм тереңдікте, диаметрі 10 мм бұрғы ұшымен тесілуі керек.

4



- 5 **WM1** құралын қабырғаға сәйкес келетін бұрандалармен (жинаққа кірмейді) және шайбалармен (жинаққа кірмейді) орнатыңыз.



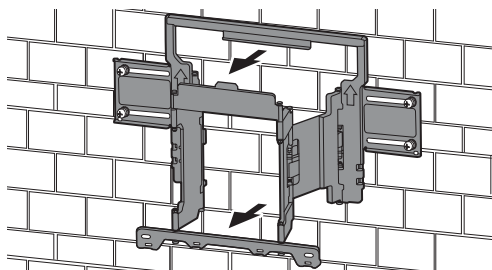
Нұсқау

- **WM1** деңгейін тексеру үшін деңгей тексеру құралын пайдаланыңыз.

Сақтық шарасы

- 8 мм × 60 мм ағаш бұранданы шамадан тыс тартпаңыз. Дұрыс тартпасаңыз 8 мм × 60 мм ағаш бұранда ұстамауы мүмкін.

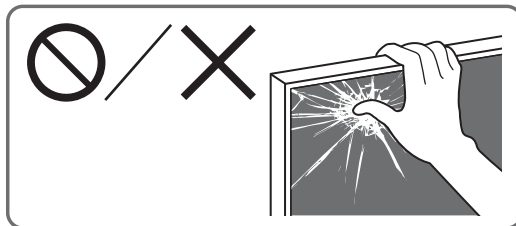
- 6 Кронштейннің қолын шетке қарай тартып жылжытыңыз.



Теледидарды орнатуға дайындау

Нұсқау

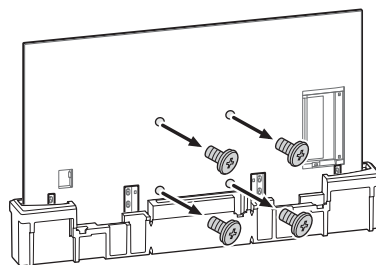
- Алынған бұрандаларды және пайдаланылмаған белшектерді қауіпсіз жерде, балалардан аулақ ұстаңыз.



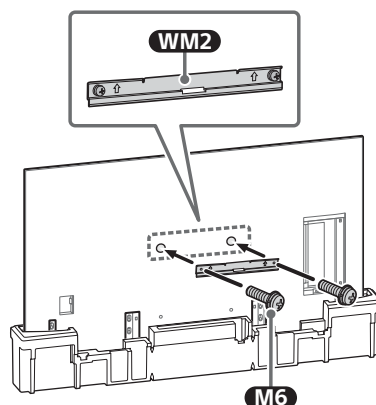
Теледидарды қабырғаға бекіту (қорабынан алып)*1

- *1 Тек шектеулі аймақтарда/елдерде/үлгілерде.

- 1 Теледидардың артындағы бұрандаларды алып тастаңыз.

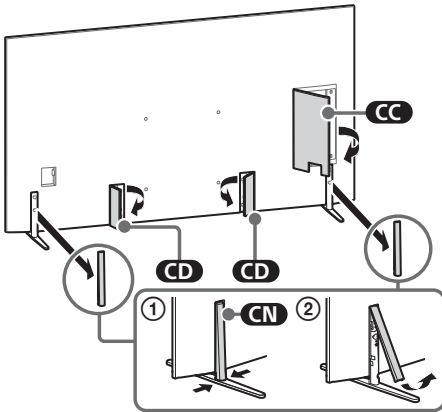


- 2 **WM2** құралын теледидарға **M6** арқылы бекітіңіз.

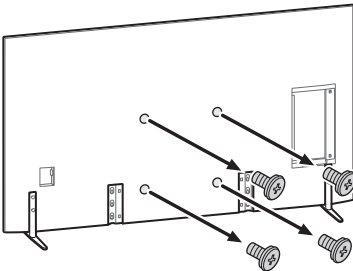


Теледидарды үстел тұғырынан алып қабырғаға бекіту

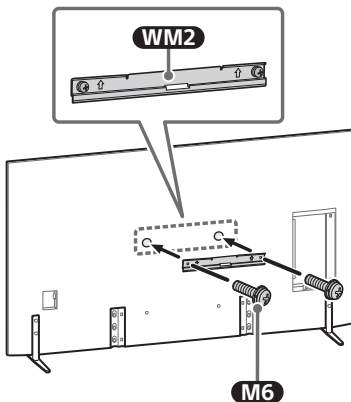
1 Тіректің қақпақтарын және терминал қақпақтарын алыңыз.



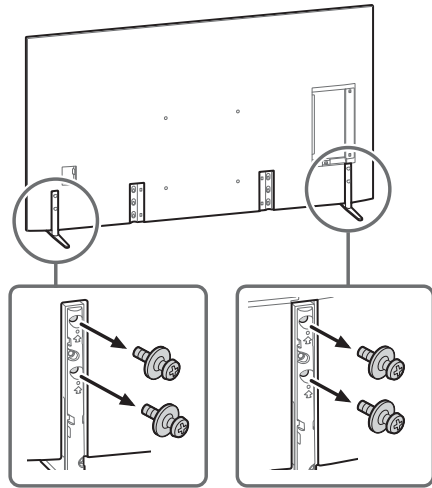
2 Теледидардың артындағы бұрандаларды алып тастаңыз.



3 **WM2** құралын теледидарға **M6** арқылы бекітіңіз.



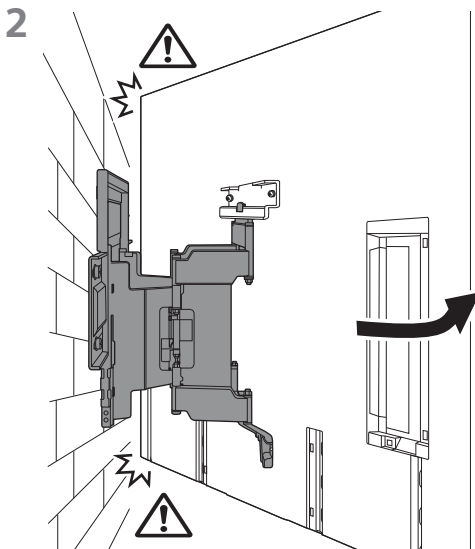
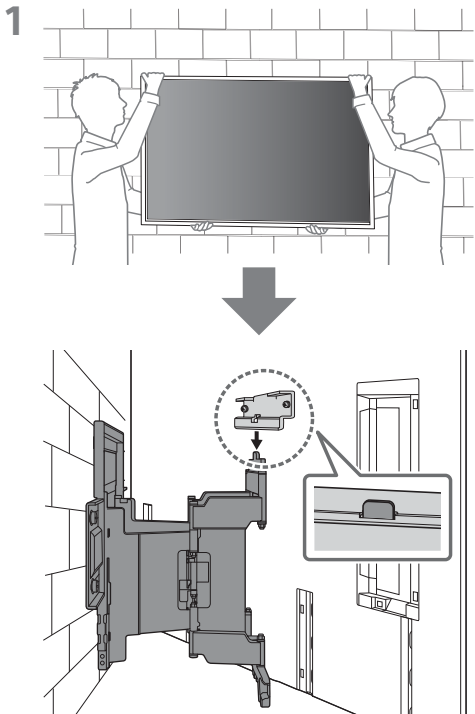
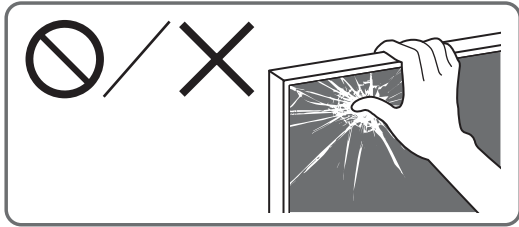
4 ТД-дан Үстел тұғырын ажыратыңыз.



Нұсқау

- Теледидарды көтергенде абай болыңыз, өйткені үстел тұғыры ажыратылып, жарамсыздыққа ұшырауы мүмкін.
- Теледидардан үстел тұғырын алу кезінде құлатып алудан және теледидар орнатылған бетке зақым келтіруден сақтық шараларын қолға алыңыз.

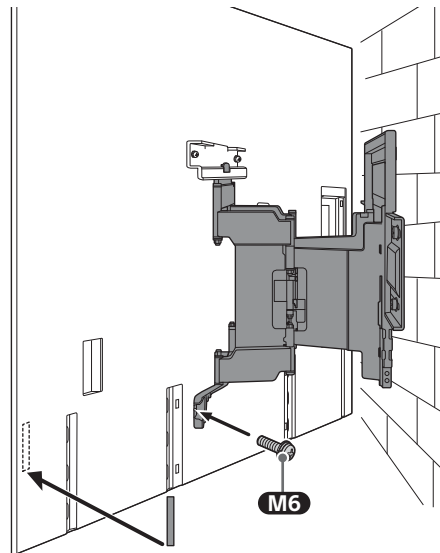
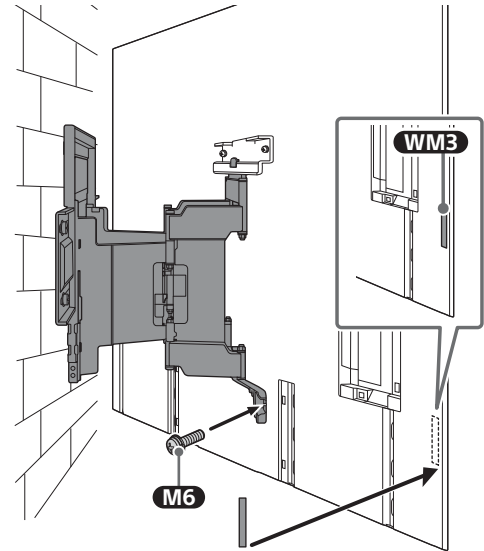
Қабырғаға теледидарды орнату

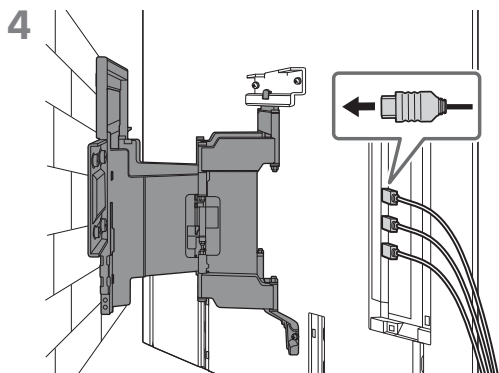


3 **M6** бұрандасының көмегімен қабырғаға орнататын кронштейннің сол және оң жағын бұрап, **WM3** құралымен бекітіңіз.

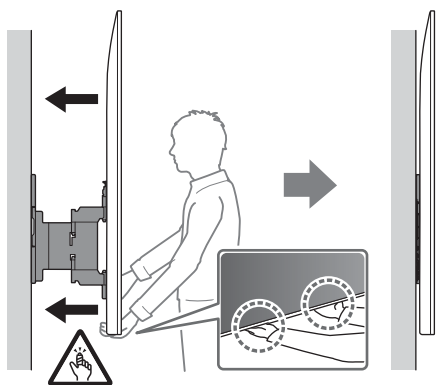
Нұсқау

- **WM3** таспасын жапсырмаларға жапсырмаңыз.



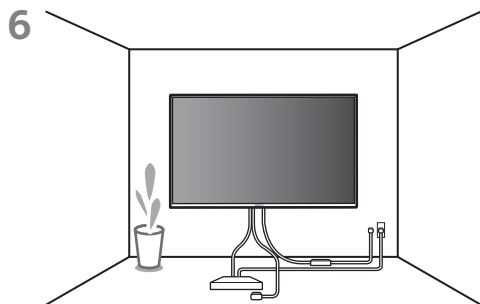


5 Теледидарды жылжытқан кезде, оны төменгі жағынан мықтап ұстаңыз.



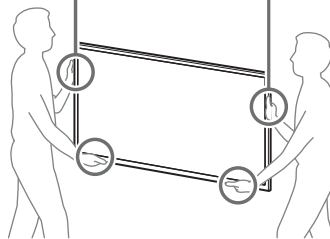
Нұсқау

- Жалғанған кабельдердің түріне және санына байланысты теледидар қабырғаға жақын қозғалмауы мүмкін. Бұл ақаулық емес.



ЕСКЕРТУ

- Үлкен ТД-ды тасымалдау үшін екі немесе көбірек адам (189,3 см (75 дюйм) және одан үлкен ТД үшін үш немесе көбірек адам) керек (Мысырды қоспағанда). Үлкен ТД-ды тасымалдау үшін екі немесе көбірек адам (75 дюйм (189,3 см) және одан үлкен ТД үшін үш немесе көбірек адам) керек (тек Мысыр үшін).



Орнатудың аяқталғандығын тексеру

Келесілерді тексеріңіз.

- Сым мен кабель оралмаған немесе қысылмаған.

ЕСКЕРТУ

- Айнымалы ток сымның немесе т.б. қате орналасуы қысқа тұйықталу салдарынан өрттің пайда болуына немесе ток соғу қаупіне әкелуі мүмкін. Орнату жұмыстарының қауіпсіздік талаптарына сай орындалғанына көз жеткізіңіз.

Басқа ақпарат

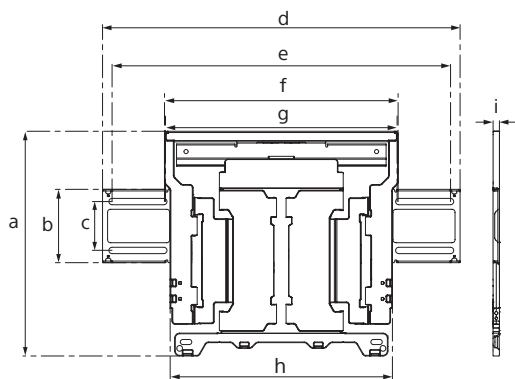
Теледидарды алған кезде алдыңғы орнату процедурасын керісінше орындаңыз.

ЕСКЕРТУ

- Үлкен ТД-ды тасымалдау үшін екі немесе көбірек адам (189,3 см (75 дюйм) және одан үлкен ТД үшін үш немесе көбірек адам) керек (Мысырды қоспағанда). Үлкен ТД-ды тасымалдау үшін екі немесе көбірек адам (75 дюйм (189,3 см) және одан үлкен ТД үшін үш немесе көбірек адам) керек (тек Мысыр үшін).

Техникалық сипаттамалары

WM1



Өлшемдері: (шамамен) [мм]

a : 354

b : 116

c : 77

d : 563

e : 533

f : 370

g : 368

h : 350

i : 11

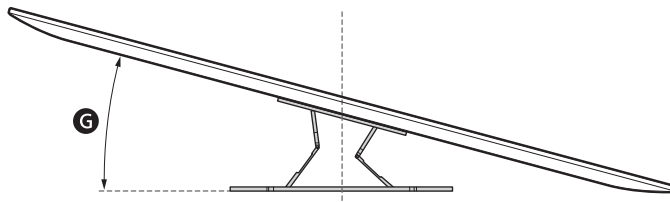
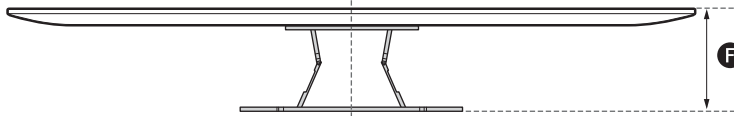
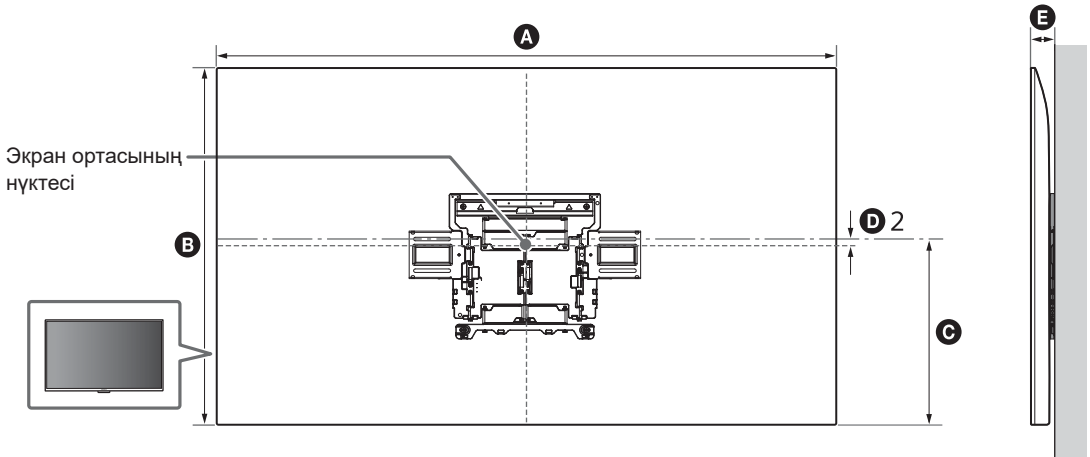
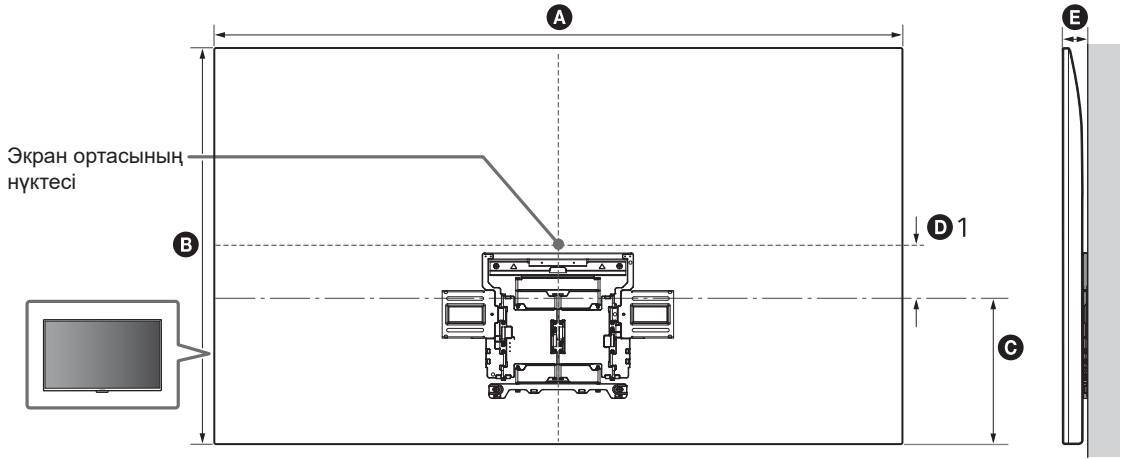
Салмағы (тек тұғыр): (шамамен) [кг]

3,0

Дизайн мен техникалық сипаттамалары ескертусіз өзгертіледі.

Анықтамалар

Қабырғаға орнататын кронштейнді қабырғаға орнату үшін өлшеу
Кестедегі деректер орнатуға байланысты аздап өзгешеленуі мүмкін.



(мм)

Үлгі нөмірі	A	B	C	D 1	D 2	E	F ^{*1}	G ^{*1} (°)
K-77XR8x	1 713	984	362	139	–	48	251,4	12
K-65XR8x	1 442	829	362	57	–	48	250,8	17
K-55XR8x	1 223	706	362	–	3	48	250,8	19

*1 (Шамамен)

Informacije za montažu za upotrebu Sony Nosača za postavljanje na zid (SU-WL850)

Podržani modeli*1:

*1 U konkretnim nazivima modela, „x“/„xx“ označava brojeve i/ili slova specifične za svaki model.

K-77XR8x / 65XR8x / 55XR8x

Za kupce

Radi zaštite proizvoda i iz bezbednosnih razloga, Sony striktno preporučuje da montažu vašeg TV-a obave dileri ili licencirani ugovarači kompanije Sony. Ne pokušavajte sami da ga montirate.

Za dilere ili licencirane ugovarače kompanije Sony

Obezbedite punu pažnju bezbednosti tokom montaže, periodičnog održavanja i pregleda ovog proizvoda.

Za montažu ovog proizvoda je potrebna dovoljna stručnost, posebno za određivanje jačine zida da bi podneo težinu TV-a. Obavezno poverite pričvršćenje ovog proizvoda na zid dilerima ili licenciranim ugovaračima kompanije Sony i posvetite odgovarajuću pažnju bezbednosti tokom montaže. Sony nije odgovoran za bilo kakve štete ili povrede prouzrokovane nepravilnim rukovanjem ili nepropisnom montažom.

Za Bezbednost i pravilnu instalaciju, pratite Uputstva za rukovanje Nosačem za postavljanje na zid, Vodič za podešavanje TV-a i smernice u ovom uputstvu.

Nosač za postavljanje na zid

O bezbednosti

Hvala vam što ste kupili ovaj proizvod.

Za kupce

Montaža TV-a na zid



UPOZORENJE

NEOPHODNO JE PROFESIONALNO POSTAVLJANJE

Ovaj proizvod bi trebalo da postavlja samo profesionalni monter koji je obučen da proceni snagu zida koja treba da izdrži težinu TV-a. Ako nije pravilno obezbeđen tokom postavljanja, TV može da padne i izazove ozbiljne povrede. Sony nije odgovoran za bilo kakvu štetu ili povredu izazvanu prilikom pogrešnog rukovanja ili nepravilnim postavljanjem, ili postavljanjem bilo kojeg drugog osim navedenog proizvoda. Vaša zakonska prava (ako ih ima) se ne povređuju.

Za dilere kompanije Sony

Za postavljanje ovog proizvoda je potrebna dovoljna stručnost. Obavezno pažljivo pročitajte ovo uputstvo za upotrebu da biste bezbedno obavili rad na postavljanju. Sony nije odgovoran za bilo kakve štete ili povrede prouzrokovane nepravilnim rukovanjem ili nepropisnim postavljanjem. Ovaj priručnik dajte kupcu nakon postavljanja.

Ovo uputstvo za upotrebu prikazuje ispravno rukovanje proizvodom i važne mere predostrožnosti koje su potrebne da bi se sprečile nesreće. Vaša je odgovornost da pročitate, potpuno razumete i pratite sva uputstva u ovom uputstvu za upotrebu. Ako to ne učinite, možete izazvati ozbiljne lične povrede ili oštećenje imovine i možete poništiti garanciju. Držite ovaj priručnik dostupnim za buduću upotrebu.

Proizvodi kompanije Sony su projektovani da budu bezbedni. Međutim, ako se proizvodi nepravilno koriste, to može da dovede do ozbiljnih povreda usled požara, strujnog udara, prevrtanja proizvoda ili padanja proizvoda. Obavezno poštujte mere predostrožnosti za bezbednost radi sprečavanja takvih nesreća.

OPREZ

Određeni proizvodi

Ovaj Nosač za postavljanje na zid je projektovan za upotrebu sa određenim modelima TV-a. Za TV prijemnike, pogledajte njihov Referentni vodič da biste proverili da li Nosač za postavljanje na zid može da se koristi.

Za kupce

UPOZORENJE

Ako se sledeće mere predostrožnosti ne poštuju, to može da dovede do teških telesnih povreda ili smrti usled požara, strujnog udara ili padanja proizvoda.

Obavezno poverite postavljanje licenciranim ugovaračima i držite malu decu dalje tokom postavljanja.

Ako se Nosač za postavljanje na zid ili TV ne postave pravilno, može doći do sledećih nesreća. Licencirani ugovarači treba obavezno da izvrše postavljanje.

- TV može da padne i da dovede do ozbiljnih povreda, kao što su modrica ili prelom.
- Ako je zid na koji je postavljen Nosač za postavljanje na zid nestabilan, neravan ili nije pod uglom od 90 stepeni sa podom, jedinica može pasti i uzrokovati povrede ili materijalnu štetu. Zid bi trebalo da bude u stanju da može da izdrži težinu najmanje šest puta veću od težine TV-a. (Pogledajte Referentni vodič svog TV-a radi njegove težine.)
- Ako ugradnja na zidu Nosača za postavljanje na zid nije dovoljno čvrsta, jedinica može pasti i uzrokovati povrede ili materijalnu štetu.

Obavezno poverite pomeranje ili demontažu TV-a licenciranim ugovaračima.

Ako druge osobe osim licenciranih ugovarača prebacuju ili demontiraju TV, on može da padne i izazove povrede ili oštećenje imovine. Dve ili više osoba (tri ili više osoba za TV od 189,3 cm (75 inča) i više) potrebne su za transport velikog TV aparata (osim Egipta). Dve ili više osoba (tri ili više osoba za TV od 75 inča (189,3 cm) i više) potrebne su za transport velikog TV aparata (samo Egipat).

Ne skidajte vijke, i slično, nakon montiranja TV-a.

Ako to učinite, TV može da padne i izazove povrede ili oštećenje imovine.

Ne vršite izmene na delovima Nosača za postavljanje na zid.

Ako to učinite, Nosač za postavljanje na zid može da padne i izazove povrede ili oštećenje imovine.

Nemojte montirati nikakvu opremu osim navedenog proizvoda.

Ovaj Nosač za postavljanje na zid je projektovan samo za upotrebu sa navedenim proizvodom. Ako montirate opremu osim navedene, ona može da padne ili da se polomi i izazove povrede ili oštećenje imovine.

Ne primenjujte nikakvo opterećenje osim TV-a na Nosač za postavljanje na zid.

Ne tresite TV prijemnik levo/desno, gore/dole.

Ako to učinite, TV može da padne i izazove povrede ili oštećenje imovine.

Ne oslanjajte se ili ne kačite na TV.

Ne oslanjajte se ili ne kačite na TV, pošto on može da padne na vas i izazove ozbiljne povrede.

OPREZ

Ako se ne poštuju sledeće mere predostrožnosti, može da dođe do povreda ili oštećenja imovine.

- Pazite da ne povredite prste dok rukujete nosačem za postavljanje na zid ili dok naginjete komplet TV-a.
- Prilikom zakretanja TV aparata, postupajte pažljivo i vodite računa da ne udarite ljude u blizini.
- Obavezno sačuvajte neiskorišćene delove na sigurnom mestu za korišćenje u budućnosti. Čuvajte ih van domašaja dece.

Ne rukujte proizvodom sa prekomernom silom tokom čišćenja ili održavanja.

Ne primenjujte prekomernu silu na gornjoj strani TV-a. Ako to učinite, TV može da padne i izazove povrede ili oštećenje imovine.

Nemojte stavljati ovaj proizvod blizu medicinskih uređaja.

Ovaj proizvod (uključujući pribor) sadrži magnete koji mogu da ometaju pejsmejkere, šantove sa valvulom koji se mogu programirati i koriste se za lečenje hidrocefalusa ili druge medicinske uređaje. Nemojte stavljati ovaj proizvod u blizinu osoba koje koriste takve medicinske uređaje. Ako koristite neki takav medicinski uređaj, pre korišćenja ovog proizvoda se posavetujte sa lekarom.

Držite dalje od domašaja dece ili osoba pod nadzorom.

Ovaj proizvod (uključujući pribor) sadrži magnete. Ukoliko se magnet proguta, može doći do ozbiljne povrede (recimo gušenja ili povreda creva). Ukoliko neko proguta magnet ili magnete, odmah se posavetujte sa lekarom.

SR

Mere predostrožnosti

- Ako koristite TV instaliran na Nosaču za postavljanje na zid duže vremena, zid iza ili iznad TV-a može da promeni boju ili da se tapeta odlepi, u zavisnosti od materijala zida.
- Ako se Nosač za postavljanje na zid ukloni nakon postavljanja na zid, rupe za šrafove ostaju.
- Ne koristite Nosač za postavljanje na zid na mestu gde je izložen mehaničkim vibracijama.

Postavljanje Nosača za postavljanje na zid

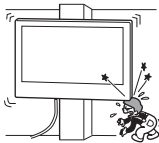
Za dilere kompanije Sony

UPOZORENJE

Sledeća uputstva su namenjena samo za dilere kompanije Sony. Obavezno pročitajte gore opisana bezbednosna uputstva i obratite posebnu pažnju na bezbednost tokom postavljanja, održavanja i provere ovog proizvoda.

Ne postavljajte Nosač za postavljanje na zid na zidnim površinama gde su uglovi ili strane TV-a izbočeni od površine zida.

Ne postavljajte Nosač za postavljanje na zid na zidnim površinama kao što je stub, gde su uglovi ili strane TV-a izbočeni od površine zida. Ako se desi da osoba ili predmet udare u izbočeni ugao ili bočnu stranu TV-a, to može da dovede do povreda ili oštećenje imovine.

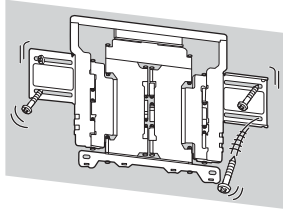


Ne postavljajte TV iznad ili ispod klima uređaja.

Ako je TV izložen dugo vreme prodoru vode ili toplog vazduha iz klima uređaja, to može da dovede do požara, strujnog udara ili kvara na TV-u.

Obavezno postavite Nosač za postavljanje na zid čvrsto na zid postupajući prema uputstvima iz ovog uputstva za upotrebu.

Ako bilo koji od vijaka postane labav ili ispadne, Nosač za postavljanje na zid može da padne i dovede do povreda ili oštećenja imovine. Proverite da li vijci koje koristite odgovaraju strukturi zida i dobro pričvrstite jedinicu koristeći četiri vijci prečnika 8 mm (ili njima odgovarajuće).



Obavezno pravilno koristite isporučene vijke i delove za pričvršćenje postupajući prema uputstvima iz ovog uputstva za upotrebu. Ako koristite delove koji nisu originalni, TV može da padne i da nekome dovede do telesne povrede ili do oštećenja TV-a.

Proverite da li ste pravilno sklopili nosač za zid postupajući prema datom postupku objašnjenom u ovom uputstvu za upotrebu.

Ako su bilo koji od vijaka labavi ili ispadnu, TV može da padne i da nekome dovede do telesne povrede ili do oštećenja TV-a.

Obavezno pritegnite vijke čvrsto u određenom položaju.

Ako propustite da to učinite, TV može da padne i da nekome dovede do telesne povrede ili do oštećenja TV-a.

Pazite da ne izlažete televizor udaru tokom postavljanja.

Ako se TV izloži udaru, može da padne ili da se polomi. Ovo može da dovede do povreda.

Obavezno postavite TV na zid koji je istovremeno vertikalni i ravan.

Ako propustite da to učinite, TV može da padne i izazove povrede.

Nakon pravilnog postavljanja TV-a, propisno obezbedite kablove.

Ako se ljudi ili predmeti zapletu sa kablovima, to može da dovede do povreda ili do oštećenja TV-a.

Ne dozvolite da strujni kabl ili kabl za povezivanje budu priklješteni.

Ako se strujni kabl ili kabl za povezivanje priklješti između uređaja i zida ili se savije ili iskrivi silom, unutrašnji provodnici mogu da postanu otkriveni i izazovu kratak spoj ili prekid struje. Ovo može da izazove požar ili strujni udar.



Vijci potrebni za pričvršćenje Nosača za postavljanje na zid se ne isporučuju.

Koristite odgovarajuće vijke za materijal i strukturu zida prilikom montiranja Nosača za postavljanje na zid.

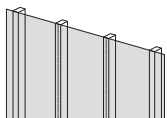
Pre početka korišćenja

- Ilustracije TV-a prikazana u ovom uputstvu su primeri koji se koriste da ponude jasna objašnjenja rukovanja. Iz ovog razloga ilustracije mogu da izgledaju različito od vašeg pravog TV-a.

Od čega je vaš zid napravljen?

Najpre, proverite koja je vrsta zida na koji želite da postavite Televizor.

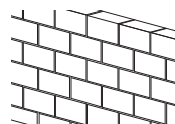
Suvi zid sa drvenim stubovima



Mere predostrožnosti

- Maksimalna debljina suvog zida: 16 mm.
- Proverite da li su dimenzije unutrašnjeg drvenog stuba najmanje 51 mm × 102 mm za standardnu ili 38 mm × 89 mm za stvarnu dimenziju.
- Horizontalno odstojanje između držača treba da bude najmanje 406 mm.

Zid od punog betona ili od betonskih blokova



Mere predostrožnosti

- Nosač za postavljanje na zid možete direktno da montirate na zid od punog betona.
- Proverite da li je debljina betonskog zida najmanje 203 mm.
- Proverite da li je veličina pojedinačnog betonskog bloka najmanje 203 mm × 203 mm × 406 mm.

Provera delova

Isporučeno uz SU-WL850



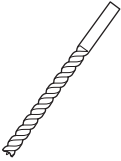
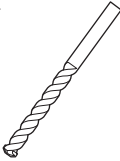
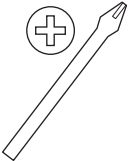
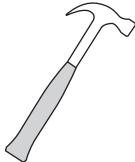
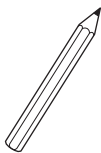
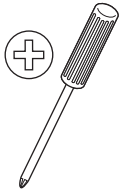
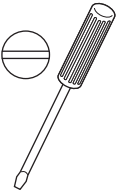
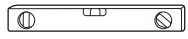


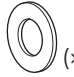
- Proverite da li su svi delovi isporučeni.

WM1 (x1) 	WM2 (x1) 	WM3 (x4)
M6 (x4) 	WT1 (x6) 	

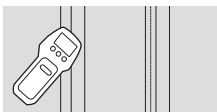
SR

Priprema za postavljanje

- Neka vam pre postavljanja Referentni vodič za TV i Vodič za podešavanje budu pri ruci.
- Proverite položaj za postavljanje vašeg TV-a.
- Pripravite četiri zavrtnja prečnika 8 mm i četiri odgovarajuće podloške (nije isporučeno). Izaberite vijke koji odgovaraju za materijal zida.
- Pripravite sledeće alate:

*1 		 5,5 mm	 10 mm	
*2 		 1,5 N·m {15 kgf·cm}	*3  1,5 N·m {15 kgf·cm}	
	*2  (x4)	*4  (x4) 8 mm × 60 mm	*4  (x4)	

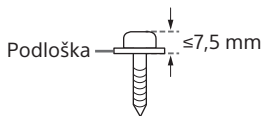
*1 Samo za suvi zid sa drvenim stubovima



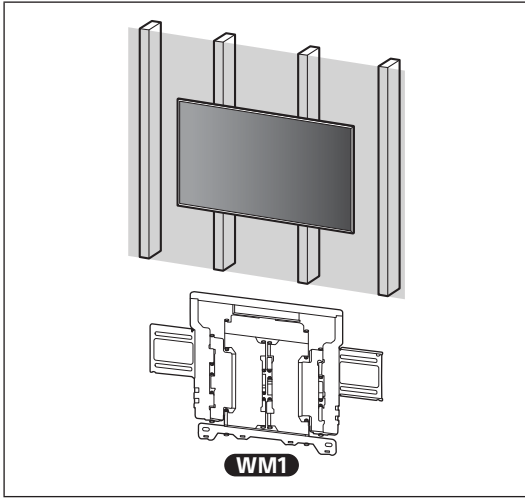
*2 Samo za zid od punog betona ili zid od betonskih blokova

*3 Zavisí od modela

*4 Pažljivo birajte zavrtnje i podloške



A Postavljanje Nosača za postavljanje na zid na suvi zid sa drvenim stubovima



Postavljanje na zid Nosača za postavljanje na zid

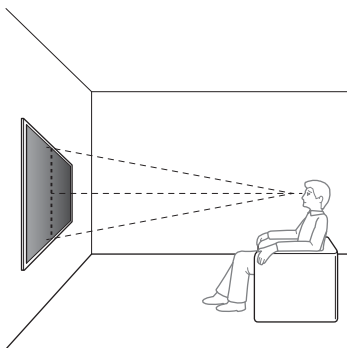
1 Odlučite o mestu za postavljanje.

Uverite se da zid ima dovoljno prostora za TV i da može da podnese težinu bar šest puta veću od težine TV-a.

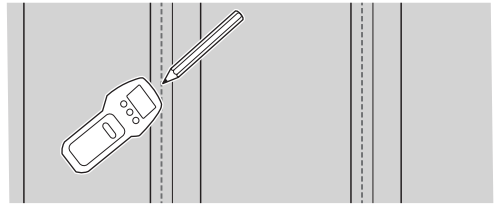
- Pogledajte „Postavljanje za instalaciju za Nosač za postavljanje na zid“ na strani 17.
- Pogledajte Referentni vodič svog TV-a radi težine TV-a.

Napomena

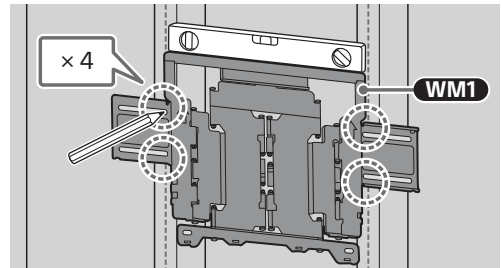
- Kada se TV montira na zid, gornja strana TV-a se malo nagne napred.
- Preporučujemo da vizuelno proverite okruženje mesta za TV.



2



3 Poravnajte WM1 sa zidom i napravite četiri oznake poravnate sa drvenim stubovima.

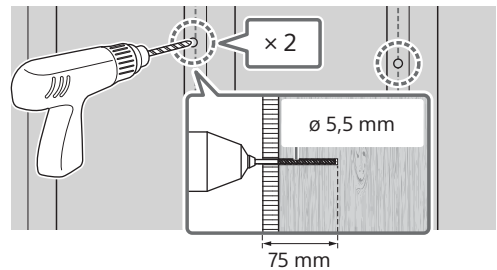


Napomena

- Koristite libelu da biste proverili da li je WM1 u ravni.

4 Na oznakama probušite gornje rupe za navođenje.

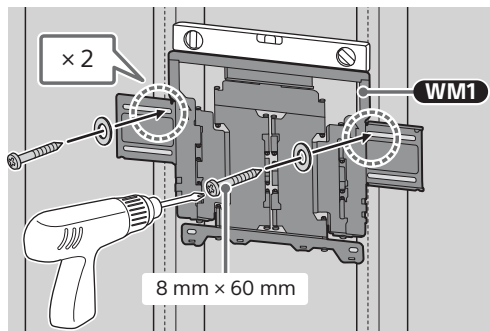
Uverite se da je mesto na zidu za bušenje rupa dovoljno jako da podnese težinu bar šest puta veću od težine TV-a.



Napomena

- Rupe za navođenje moraju biti probušene do dubine od 75 mm pomoću burgije prečnika od 5,5 mm.

- 5 Postavite **WM1** na zid pomoću odgovarajućih zavrtnja (nije isporučeno) i podloški (nije isporučeno).



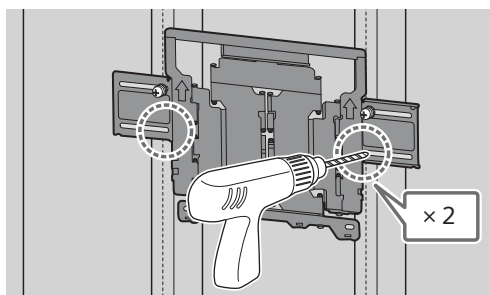
Napomena

- Koristite libelu da biste proverili da li je **WM1** u ravni.

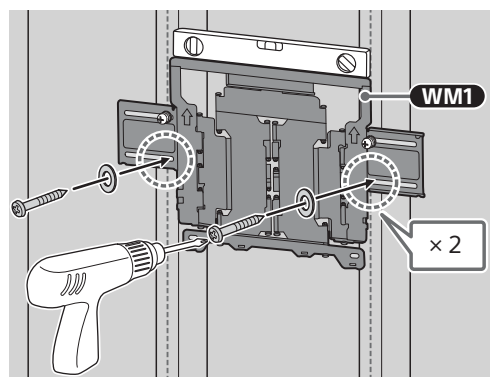
Mere predostrožnosti

- Nemojte preterano pritezati drveni vijak 8 mm x 60 mm. Neodgovarajuće pritezanje može da smanji noseću snagu drvenog vijka 8 mm x 60 mm.

- 6 Na oznakama probušite donje rupe za navođenje. (Pogledajte korak 4 zbog uputstva za bušenje.)



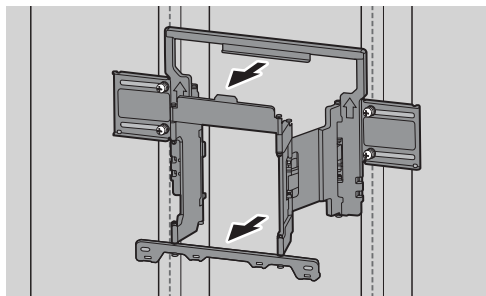
- 7 Podesite odgovarajuće zavrtnje i podloške u odnosu na rupe.



Napomena

- Koristite libelu da biste proverili da li je **WM1** u ravni.

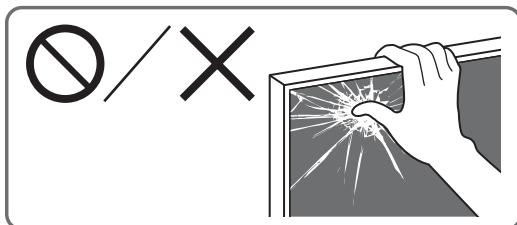
- 8 Izvucite dršku nosača do kraja.



Priprema za postavljanje TV-a

Napomena

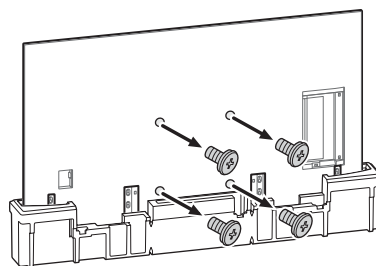
- Obavezno čuvajte uklonjene vijke i neiskorišćene delove na bezbednom mestu, držeći ih dalje od dece.



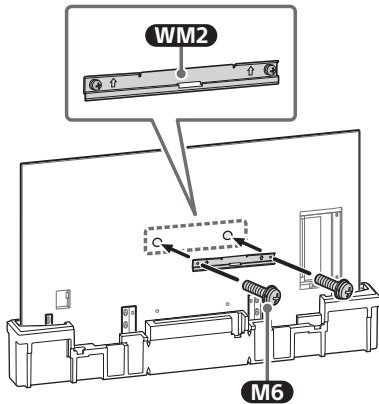
Montaža TV-a na zid iz kutije*1

*1 Samo za ograničen region/zemlju/model.

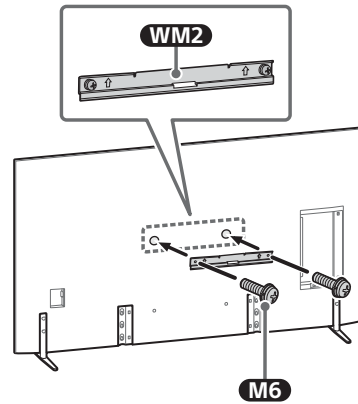
- 1 Izvadite vijke sa zadnje strane TV-a.



2 Pričvrstite **WM2** na Televizor pomoću **M6**.

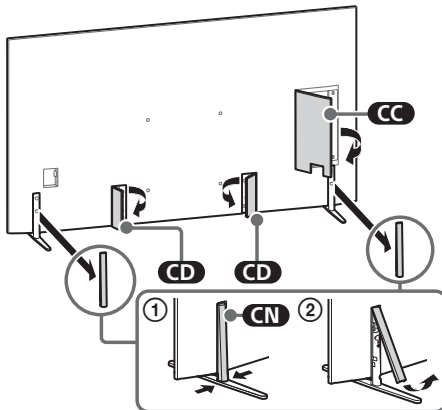


3 Pričvrstite **WM2** na Televizor pomoću **M6**.

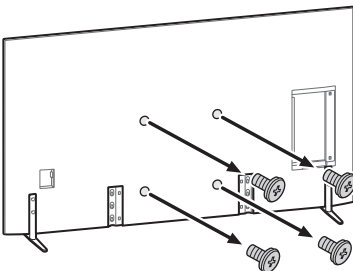


Montaža TV-a na zid sa postolja za sto

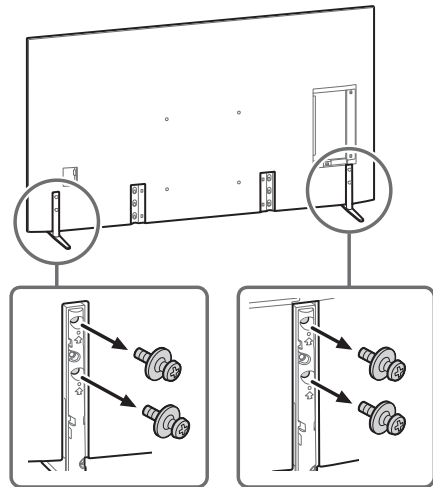
1 Skinite poklopac postolja i poklopce terminala.



2 Izvadite vijke sa zadnje strane TV-a.



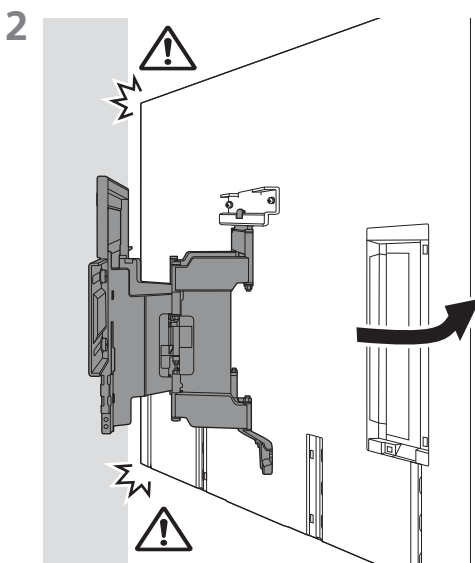
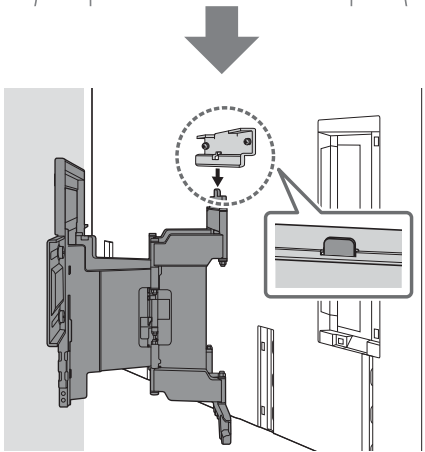
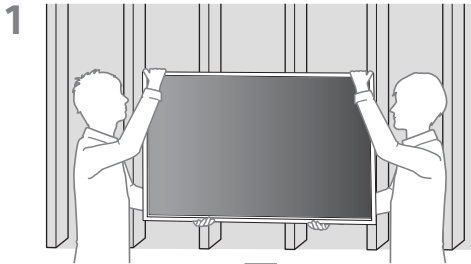
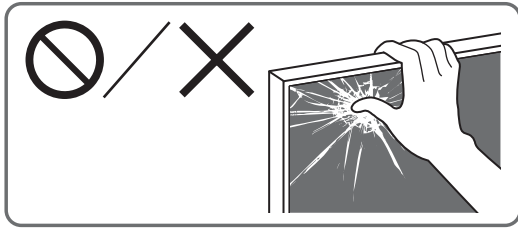
4 Odvojite postolje za sto od TV-a.



Napomena

- Pažljivo podižite TV dok odvajate postolje za sto da se ne bi prevrnulo i izazvalo povredu.
- Pažljivo odvojite postolje za sto od TV-a da ne bi palo i oštetilo površinu na kojoj se nalazi TV.

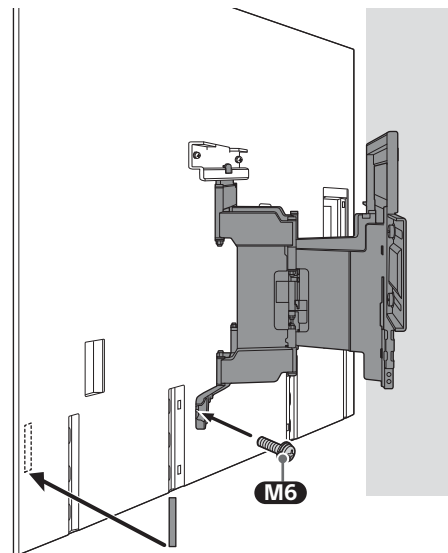
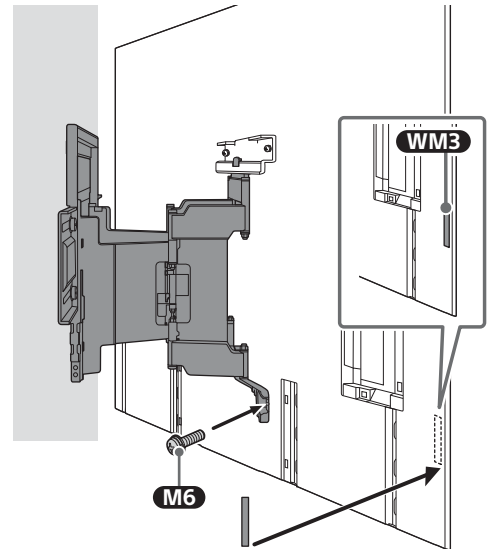
Postavljanje TV-a na zid

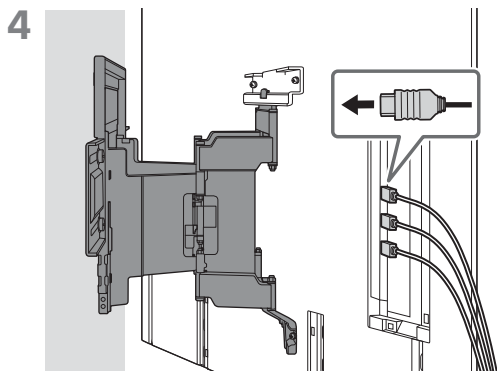


3 Zavrtnjima pričvrstite levu i desnu stranu Nosača za postavljanje na zid pomoću **M6** i postavite **WM3**.

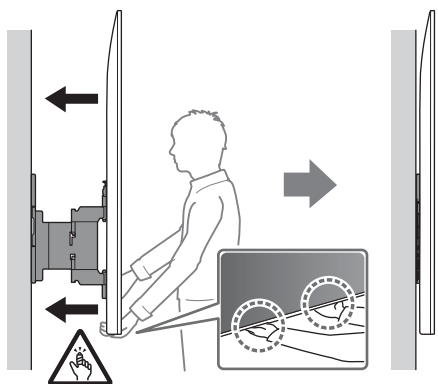
Napomena

- Ne kačite **WM3** na oznake.



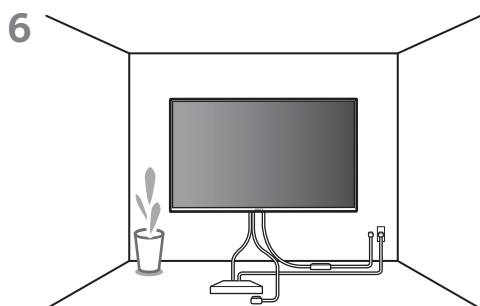


5 Kada pomerate TV, čvrsto ga držite sa donje strane.



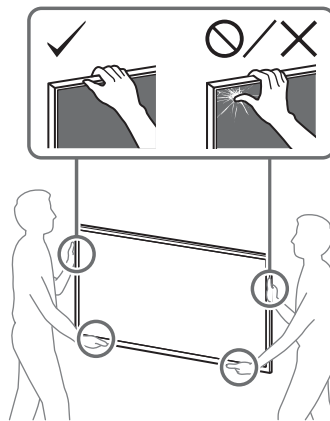
Napomena

- TV se možda neće pomeriti blizu zida u zavisnosti od tipa i broja kablova koji su prikačeni. Ovo nije greška.



UPOZORENJE

- Dve ili više osoba (tri ili više osoba za TV od 189,3 cm (75 inča) i više) potrebne su za transport velikog TV aparata (osim Egipta).
Dve ili više osoba (tri ili više osoba za TV od 75 inča (189,3 cm) i više) potrebne su za transport velikog TV aparata (samo Egiptat).



Potvrđivanje završetka postavljanja

Proverite sledeće tačke.

- Strujni kabl i kabl nisu uvrnuti ili priklješteni.

UPOZORENJE

- Nepropisno postavljanje strujnog kabla naizmenične struje, i slično, može da dovede do požara ili strujnog udara preko kratkog spoja. Obavezno proverite završetak postavljanja radi bezbednosti.

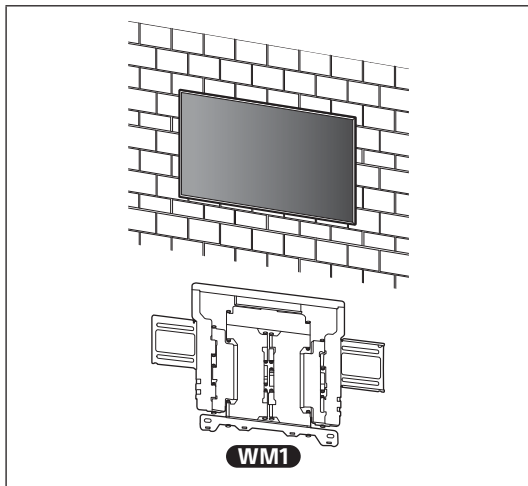
Ostale informacije

Prilikom skidanja TV-a, postupajte obrnutim redosledom od prethodnog postupka za postavljanje.

UPOZORENJE

- Dve ili više osoba (tri ili više osoba za TV od 189,3 cm (75 inča) i više) potrebne su za transport velikog TV aparata (osim Egipta).
Dve ili više osoba (tri ili više osoba za TV od 75 inča (189,3 cm) i više) potrebne su za transport velikog TV aparata (samo Egiptat).

B Pričvrščivanje Nosača za postavljanje na zid na zid od punog betona ili od betonskih blokova



Postavljanje na zid Nosača za postavljanje na zid

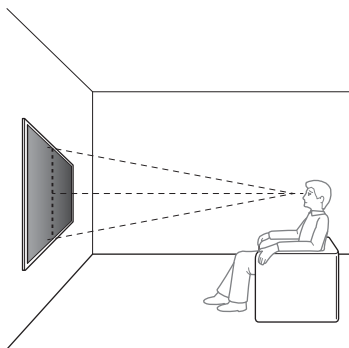
1 Odlučite o mestu za postavljanje.

Uverite se da zid ima dovoljno prostora za TV i da može da podnese težinu bar šest puta veću od težine TV-a.

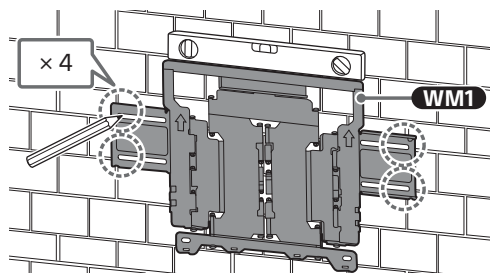
- Pogledajte „Postavljanje za instalaciju za Nosač za postavljanje na zid“ na strani 17.
- Pogledajte Referentni vodič svog TV-a radi težine TV-a.

Napomena

- Kada se TV montira na zid, gornja strana TV-a se malo nagne napred.
- Preporučujemo da vizuelno proverite okruženje mesta za TV.



2 Poravnajte WM1 sa zidom i napravite četiri oznake.

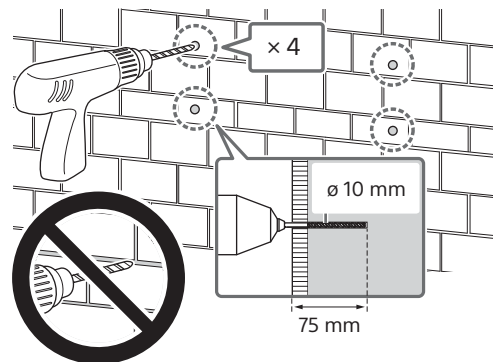


Napomena

- Koristite libelu da biste proverili da li je WM1 u ravni.

3 Probušite vodeće rupe na oznakama.

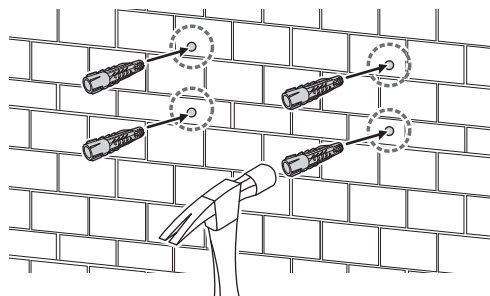
Uverite se da je mesto na zidu za bušenje rupa dovoljno jako da podnese težinu bar šest puta veću od težine TV-a.



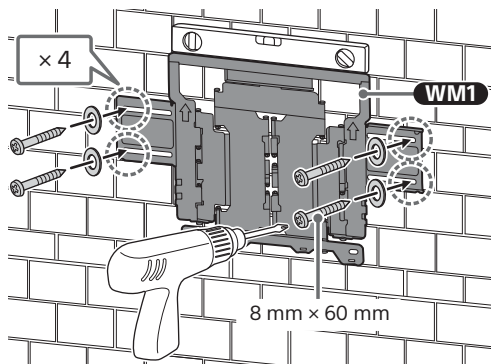
Napomena

- Rupe za navođenje moraju biti probušene do dubine od 75 mm pomoću burgije prečnika od 10 mm.

4



- 5 Postavite **WM1** na zid pomoću odgovarajućih zavrtnja (nije isporučeno) i podloški (nije isporučeno).



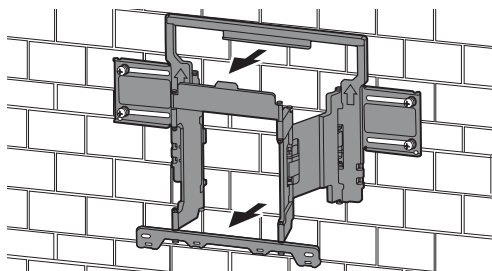
Napomena

- Koristite libelu da biste proverili da li je **WM1** u ravni.

Mere predostrožnosti

- Nemojte preterano pritezati drveni vijak 8 mm x 60 mm. Neodgovarajuće pritezanje može da smanji noseću snagu drvenog vijka 8 mm x 60 mm.

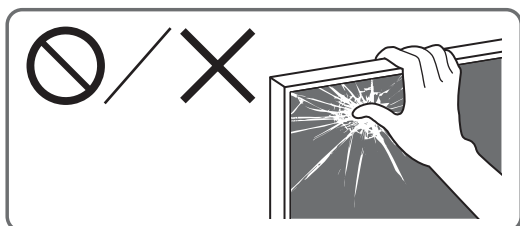
- 6 Izvucite dršku nosača do kraja.



Priprema za postavljanje TV-a

Napomena

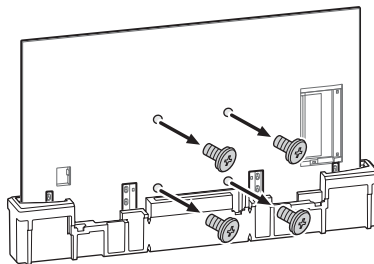
- Obavezno čuvajte uklonjene vijke i neiskorišćene delove na bezbednom mestu, držeći ih dalje od dece.



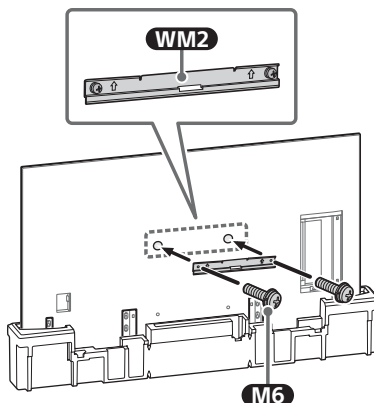
Montaža TV-a na zid iz kutije*1

*1 Samo za ograničen region/zemlju/model.

- 1 Izvadite vijke sa zadnje strane TV-a.



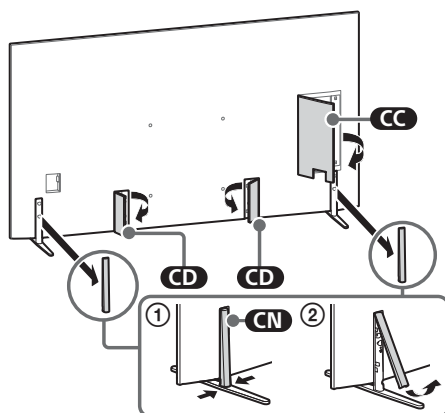
- 2 Pričvrstite **WM2** na Televizor pomoću **M6**.



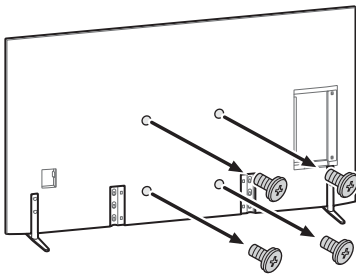
Montaža TV-a na zid sa postolja za sto

SR

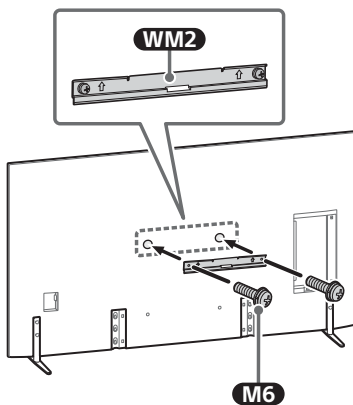
- 1 Skinite poklopac postolja i poklopce terminala.



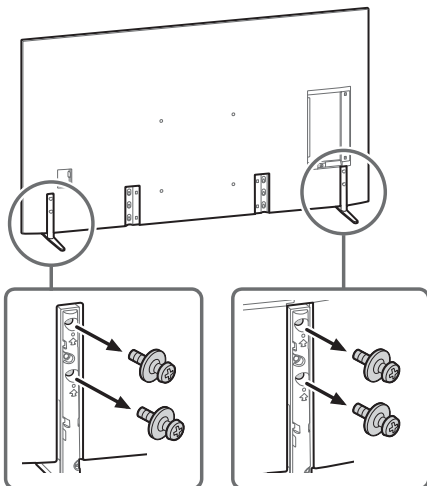
2 Izvadite vijke sa zadnje strane TV-a.



3 Pričvrstite **WM2** na Televizor pomoću **M6**.



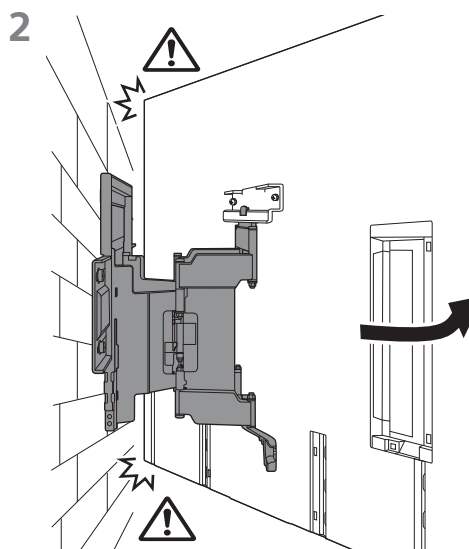
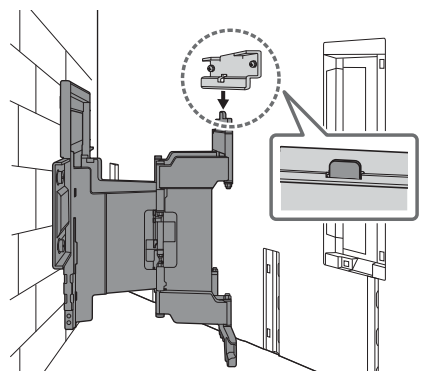
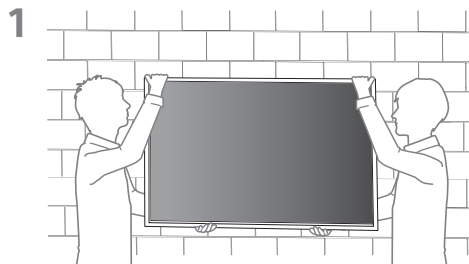
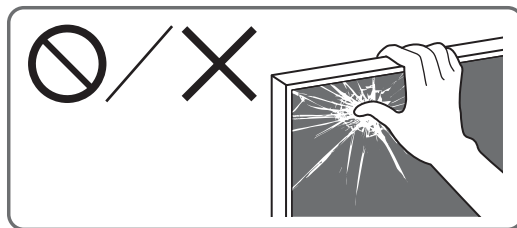
4 Odvojite postolje za sto od TV-a.



Napomena

- Pažljivo podižite TV dok odvajate postolje za sto da se ne bi prevrnulo i izazvalo povredu.
- Pažljivo odvojite postolje za sto od TV-a da ne bi palo i oštetilo površinu na kojoj se nalazi TV.

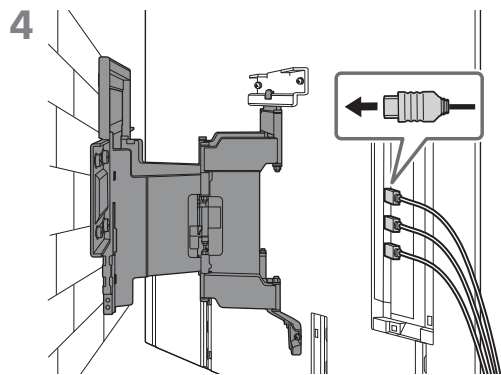
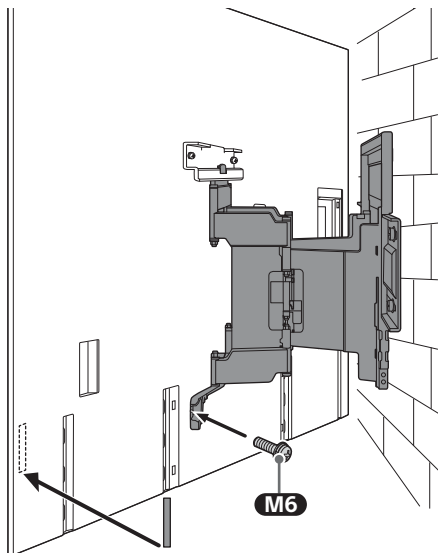
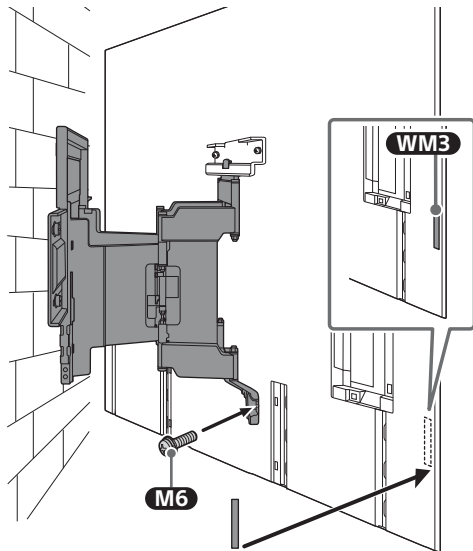
Postavljanje TV-a na zid



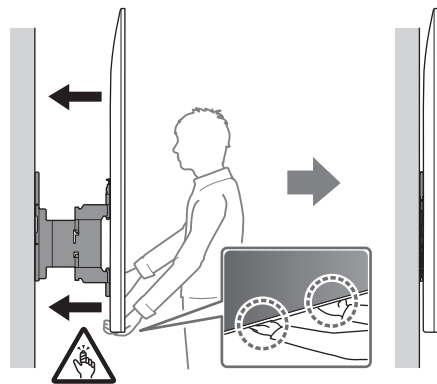
- 3 Zavrtnjima pričvrstite levu i desnu stranu Nosača za postavljanje na zid pomoću **M6** i postavite **WM3**.

Napomena

- Ne kačite **WM3** na oznake.

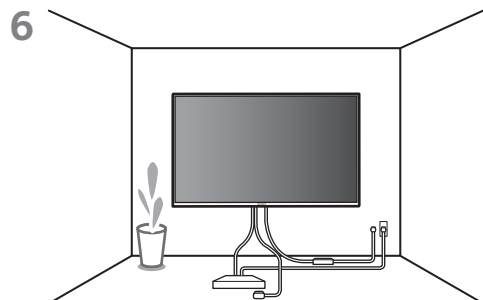


- 5 Kada pomerate TV, čvrsto ga držite sa donje strane.



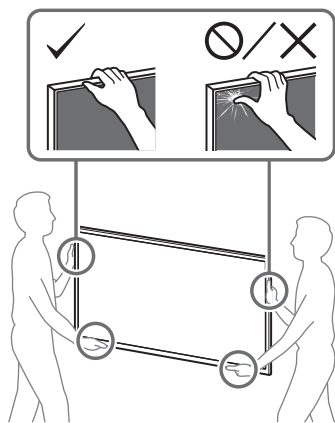
Napomena

- TV se možda neće pomeriti blizu zida u zavisnosti od tipa i broja kablova koji su prikačeni. Ovo nije greška.



UPOZORENJE

- Dve ili više osoba (tri ili više osoba za TV od 189,3 cm (75 inča) i više) potrebne su za transport velikog TV aparata (osim Egipta). Dve ili više osoba (tri ili više osoba za TV od 75 inča (189,3 cm) i više) potrebne su za transport velikog TV aparata (samo Egipat).



Potvrđivanje završetka postavljanja

Proverite sledeće tačke.

- Strujni kabl i kabl nisu uvrnuti ili priklješteni.

UPOZORENJE

- Neproписno postavljanje strujnog kabla naizmenične struje, i slično, može da dovede do požara ili strujnog udara preko kratkog spoja. Obavezno proverite završetak postavljanja radi bezbednosti.

Ostale informacije

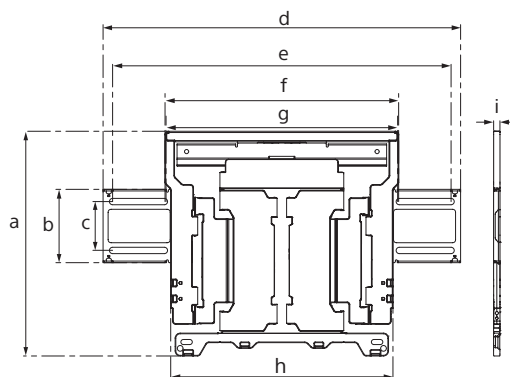
Prilikom skidanja TV-a, postupajte obrnutim redosledom od prethodnog postupka za postavljanje.

UPOZORENJE

- Dve ili više osoba (tri ili više osoba za TV od 189,3 cm (75 inča) i više) potrebne su za transport velikog TV aparata (osim Egipta).
Dve ili više osoba (tri ili više osoba za TV od 75 inča (189,3 cm) i više) potrebne su za transport velikog TV aparata (samo Egiptat).

Specifikacije

WM1



Dimenzije: (približ.) [mm]

a : 354
b : 116
c : 77
d : 563
e : 533
f : 370
g : 368
h : 350
i : 11

Težina (samo osnova): (približ.) [kg]

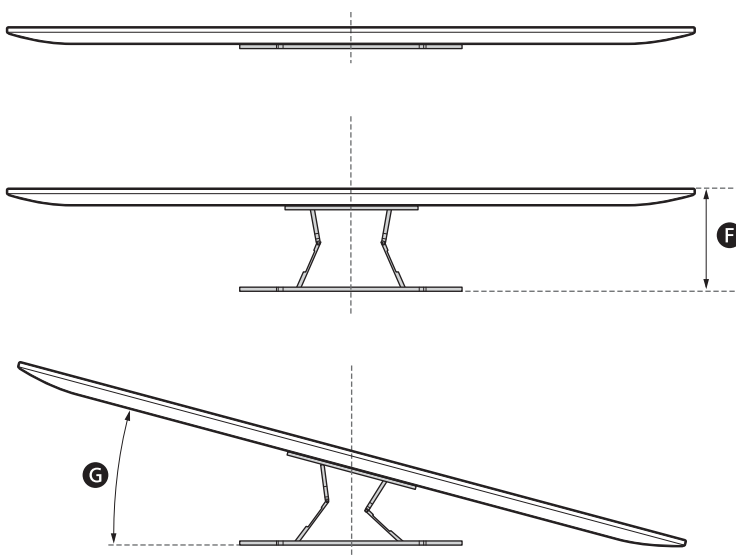
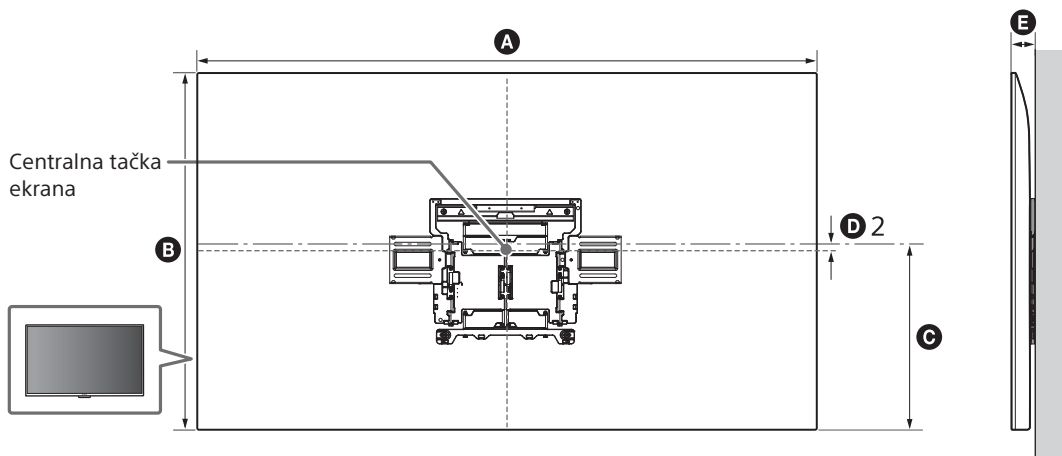
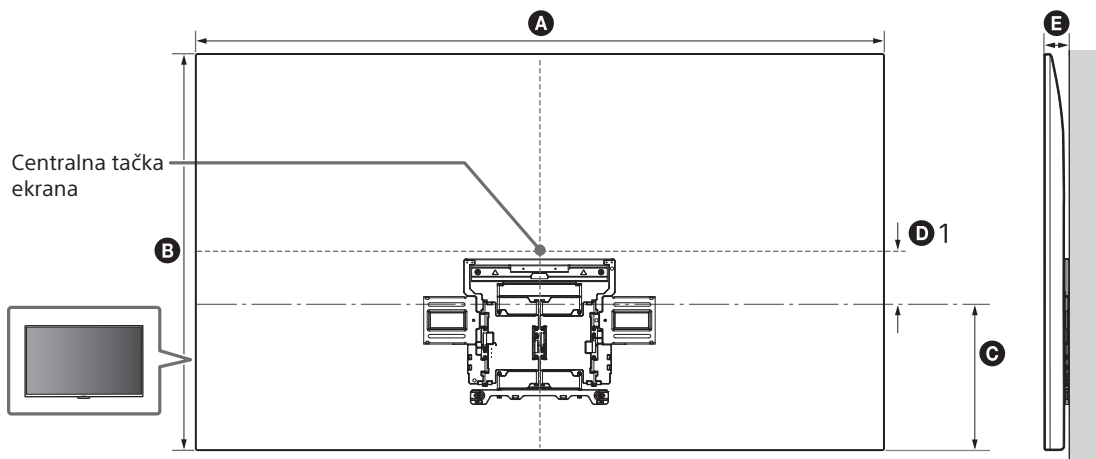
3,0

Dizajn i specifikacije podležu izmenama bez obaveštenja.

Reference

Postavljanje za instalaciju za Nosač za postavljanje na zid

Cifre u tabeli mogu neznatno da se razlikuju u zavisnosti od montaže.



(mm)

Naziv modela	A	B	C	D 1	D 2	E	F ^{*1}	G ^{*1} (°)
K-77XR8x	1 713	984	362	139	–	48	251,4	12
K-65XR8x	1 442	829	362	57	–	48	250,8	17
K-55XR8x	1 223	706	362	–	3	48	250,8	19

*1 (Približ.)

Sony 挂壁式支架 (SU-WL850) 安装信息

支持型号*1:

*1 在实际型号名称中，“x” / “xx”代表每种型号的特定数字和/或字符。

K-77XR8x / 65XR8x / 55XR8x

致用户

出于产品保护和安全原因，Sony 强烈建议由 Sony 经销商或授权承包商进行安装。请勿尝试自行安装。

致 Sony 经销商及授权承包商

在进行产品安装、定期维修及检验时，确保注意安全事项。

安装本产品需要足够的专业技术，特别是用来知晓如何确定承受电视机重量的墙壁强度。确保委托 Sony 经销商或授权商将本产品安装至墙上，并在安装过程中注意安全。Sony 对于误操作、不当安装所造成的损坏或受伤概不负责。

为了确保安全和正确安装，请遵循挂壁式支架使用说明书、电视机设定指南以及本手册中的说明。

挂壁式支架

安全须知

感谢您购买本产品。

致用户

将电视机安装至墙壁上



需要专业安装

本产品应仅由专业安装人员安装，该安装人员必须经过培训，能确定承受电视机重量的墙壁强度。安装期间若未正确固定，电视机可能会掉落并造成严重受伤。Sony 对于误操作、不当安装或安装任何其他非指定产品所造成的损坏或受伤概不负责。您的法定权利（若有）不受影响。

Sony 经销商须知

安装本产品需要足够的专业技术。请务必仔细阅读本使用说明书，以确保安装工作的安全性。Sony 对于误操作、不当安装所造成的损坏或受伤概不负责。安装完毕后，请将本手册交给用户。

本使用说明书介绍了本产品的正确操作方法以及需要注意的重要预先注意事项，以免发生事故。用户有责任阅读、完全理解并按照本使用说明书中的指示操作。否则可能导致严重人身伤害或财产损失，并可能使保修失效。请妥善保管本手册，以供日后参考。

Sony 产品在设计时考虑到了安全的重要性。然而，若产品使用不当，则可能会导致火灾、触电、产品倾覆或掉落风险，进而造成严重伤害。请务必遵守安全预先注意事项，避免此类事故的发生。

注意事项

指定产品

本挂壁式支架专为指定的电视机产品而设计。请参阅电视机的参考指南，确定本挂壁式支架是否可用于该电视机。

致用户

警告

若不遵守下列预先注意事项，则可能会导致火灾、触电和产品掉落风险，进而造成严重伤害，甚至死亡。

确保委托授权承包商进行产品安装并在安装过程中避免儿童靠近。

若挂壁式支架或电视机安装不当，则可能发生以下事故。确保由授权承包商进行产品安装。

- 电视机可能会掉落，造成严重伤害，如瘀伤或骨折。
- 若安装挂壁式支架的墙壁不稳定、不平坦或不垂直于地面，电视机则可能会跌落，造成伤害或财物损失。确保安装位置的墙壁能够支撑的重量至少是电视机重量的六倍。（请参阅您电视机的参考指南，了解其重量。）
- 若挂壁式支架在墙壁上安装得不够牢固，电视机则可能跌落，造成伤害或财物损失。

请务必委托授权承包商搬运或拆卸本电视机。

若由非授权承包商人员搬运或拆卸本电视机，电视机则可能跌落，造成伤害或财物损失。搬运大型电视机需要两人或以上（搬运 189.3 cm（75 英寸）及更大的电视机则需要三人或以上）（埃及除外）。

搬运大型电视机需要两人或以上（搬运 75 英寸（189.3 cm）及更大的电视机则需要三人或以上）（仅限埃及）。

请勿拆下螺丝。

否则，电视机可能跌落，造成伤害或财物损失。

请勿对挂壁式支架的部件进行改装。

否则，挂壁式支架可能跌落，造成伤害或财物损失。

请勿安装指定产品以外的任何设备。

本挂壁式支架专为指定产品而设计。若安装指定产品以外的任何设备，则可能发生跌落或破碎，进而造成伤害或财物损失。

请勿在挂壁式支架上施加本电视机以外的任何负载。请勿左/右、上/下摇晃电视机。

否则，电视机可能跌落，造成伤害或财物损失。

请勿倚靠或悬挂在电视机上。

请勿倚靠或悬挂在电视机上，因为它可能掉落在自己身上并造成严重伤害。

注意事项

若不遵守下列预先注意事项，则可能会造成伤害或财物损失。

- 处理挂壁式支架或旋转电视机时，请小心不要夹到手指。
- 旋转电视机时，请小心操作，注意不要撞到电视机旁边的人。
- 请务必将不使用的部件存放在安全的地方以备将来使用。请使其远离儿童。

请勿在清洁或维修电视机时过度用力处理电视机。

请勿在电视机上方用力过度。否则，电视机可能跌落，造成伤害或财物损失。

请勿将本产品放在医疗设备附近。

本产品（包括附件）带有磁铁，可能会干扰心脏起搏器、用于治疗脑积水的可编程分流阀或其他医疗设备。请勿将本产品放在使用上述医疗设备的人员附近。如果您在使用上述医疗设备，请在本产品前咨询医生。

请将本产品放在儿童或应受监护的人无法触及的地方。

本产品（包括附件）带有磁铁。吞下磁铁可能会导致严重伤害，例如窒息或肠道损伤。如果误吞了磁铁，请立即咨询医生。

预先注意事项

- 如果您长时间使用安装在挂壁式支架上的电视机，视墙壁的材料而定，位于电视机后方或上方的墙壁可能变色，墙纸也可能发生剥离。
- 如果从墙上拆下安装后的挂壁式支架，墙上将留下螺丝孔。
- 请勿在受到机械振动的地方使用挂壁式支架。

安装挂壁式支架

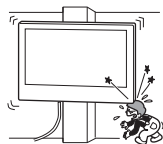
Sony 经销商须知

警告

以下说明仅适用于 Sony 经销商。请务必阅读以上所述的安全预先注意事项并在安装、维修和检查本产品时特别注意安全。

请勿将挂壁式支架安装在使电视机角落或边缘突出墙面的位置。

请勿将挂壁式支架安装在使电视机角落或边缘突出墙面的位置，例如柱子。若人员或物体意外碰撞电视机突出的角落或边缘，则可能会造成伤害或财物损失。

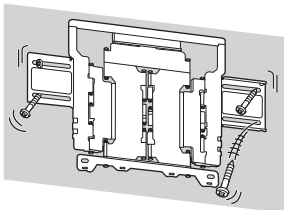


请勿将电视机安装在空调之上或之下。

若电视机长时间暴露于漏水的空调下或空调气流中，则可能会导致火灾、触电或电视机故障。

请务必遵循本使用说明书中的说明将挂壁式支架牢固地安装于墙壁上。

若任何螺丝松开或脱出，挂壁式支架则可能掉落并造成伤害或财物损失。请务必使用适合墙壁材料的螺丝，请使用四个直径 8 mm（或同等）螺丝牢固安装本装置。



请务必遵循本使用说明书中的说明正确使用所提供的螺丝和配件。若使用替代物品，电视机则可能掉落并导致人身伤害或电视机损坏。

请务必按照本使用说明书所阐述的指导程序正确地装配支架。

若任何螺丝松开或脱出，电视机则可能掉落并导致人身伤害或电视机损坏。

请务必在指定的位置拧紧螺丝。

否则，电视机则可能会掉落并导致人身伤害或电视机损坏。

请小心在安装过程中不要让电视机承受振动。

若受到振动，电视机则可能会掉落或碎裂。进而可能会造成伤害。

请务必将电视机安装在垂直、平坦的墙壁上。

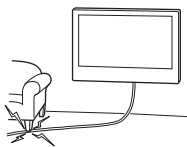
否则，电视机则可能会掉落并造成伤害。

在正确安装电视机之后，妥当地固定电缆。

若人或物体与电缆缠绕在一起，则可能会造成伤害或电视机损坏。

请勿让交流电源线或连接电缆受到挤压。

若交流电源线或连接电缆被挤压于电视机和墙壁之间，或被外力弯曲或扭曲，内部导线则可能裸露并导致短路或停电。进而可能会导致火灾或触电。



将挂壁式支架固定至墙壁上所需的螺丝未随机提供。

安装挂壁式支架时，请使用适合墙壁材料和结构的适当螺丝。

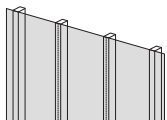
事先准备

- 本手册中所示的电视机的图例，是为了清晰地对操作进行说明的示例。因此，图例可能看起来与实际电视机不同。

墙体是什么结构？

首先，请确认用于安装电视机的墙体类型。

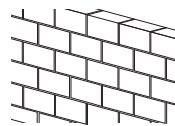
有立柱的干砌墙



预先注意事项

- 干砌墙最大厚度：16 mm。
- 请确保内部木立柱尺寸至少为 51 mm × 102 mm (通用) 或 38 mm × 89 mm (标称)。
- 紧固件之间至少保持 406 mm 的水平空间。

实心混凝土或混凝土砖



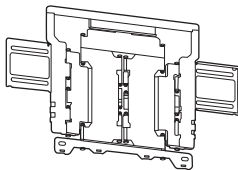



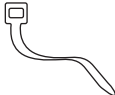
预先注意事项

- 请将挂壁式支架直接安装至实心混凝土墙上。
- 请确保实心混凝土墙壁厚度至少为 203 mm。
- 请确保每块混凝土砖的大小至少为 203 mm × 203 mm × 406 mm。

检查部件

SU-WL850 随附部件



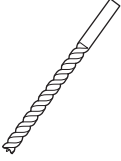
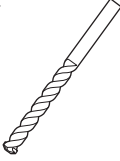
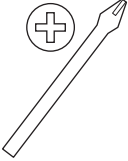
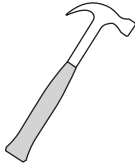
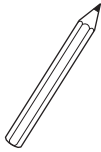
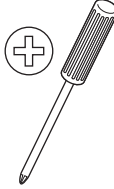
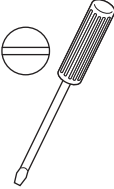
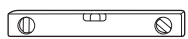



- 请检查所有部件是否均已包含在内。

WM1 (×1) 	WM2 (×1) 	WM3 (×4) 
M6 (×4) 	WT1 (×6) 	

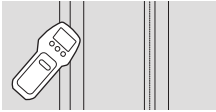
CS

安装准备

- 开始安装前，请将本电视机的参考指南和设定指南放于手边，方便查阅。
- 确定您的电视机的安装位置。
- 准备四颗直径 8 mm 的螺丝和四个合适的垫片（未提供）。请选择适合墙壁材料的螺丝。
- 准备以下工具：

*1 	    5.5 mm 10 mm		
*2 		 1.5 N · m { 15 kgf · cm}	*3  1.5 N · m { 15 kgf · cm}
	*2  (×4)	*4  (×4) 8 mm × 60 mm	*4  (×4)

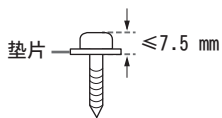
*1 仅适用于有立柱的干砌墙



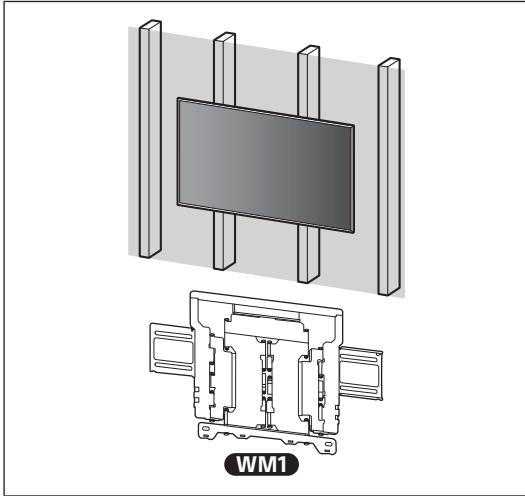
*2 仅适用于实心混凝土或混凝土砖

*3 视型号而定

*4 请谨慎选择螺丝和垫片



A 将挂壁式支架安装至有立柱的干砌墙上



将挂壁式支架安装至墙上

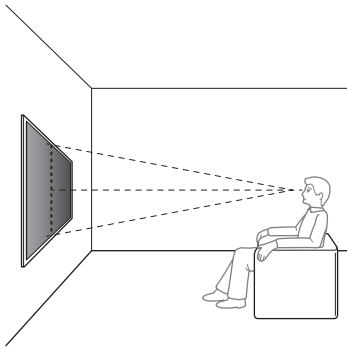
1 确定安装位置。

确保墙壁有足够的空间安装电视机并且能够支撑的重量至少是电视机重量的六倍。

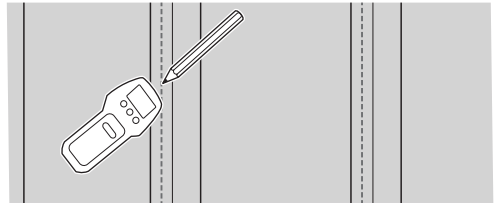
- 请参阅第 17 页“在墙上安装挂壁式支架的尺寸参数”。
- 请参阅您电视机的参考指南，了解其重量。

注意

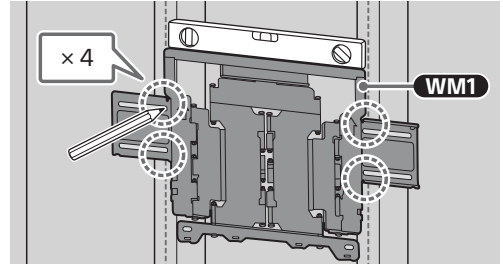
- 当电视机安装在墙上时，电视机的上侧会稍微向前倾斜。
- 建议在观看环境下确认电视机的位置。



2



3 将 WM1 与墙壁对齐，并做四个与立柱对齐的标记。

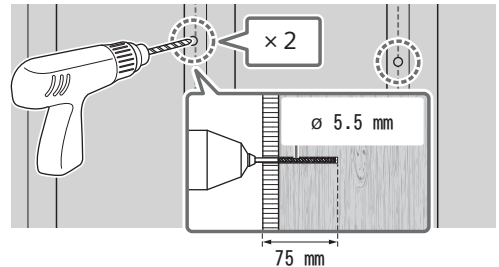


注意

- 使用水平仪检查 WM1 是否水平。

4 在标记上钻定位孔。

确保墙壁上钻孔的位置足够牢固，能支撑至少电视机六倍的重量。

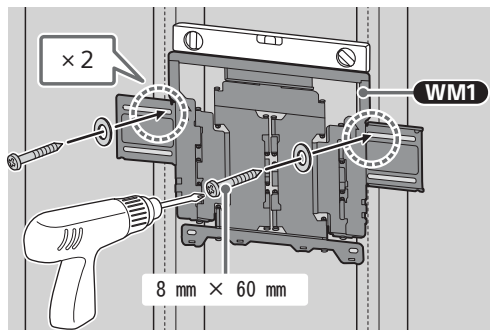


注意

- 必须使用直径 5.5 mm 的钻头钻定位孔，且深度须达 75 mm。

CS

- 5 使用合适的螺丝（未提供）和垫片（未提供）将 **WM1** 安装至墙上。



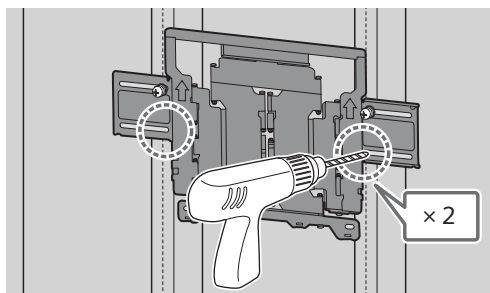
注意

- 使用水平仪检查 **WM1** 是否水平。

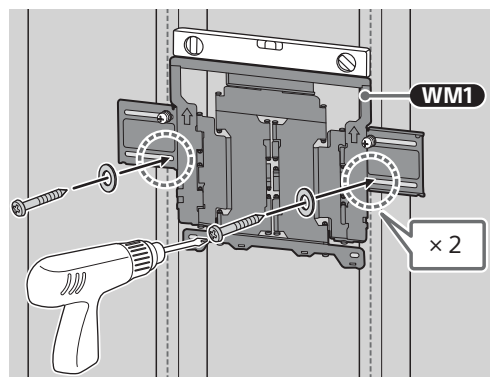
预先注意事项

- 请勿过度拧紧木螺丝 8 mm x 60 mm。不当拧紧可能会减弱木螺丝 8 mm x 60 mm 的抓力。

- 6 在下方标记处钻定位孔。（关于钻孔说明，请参阅步骤 4。）



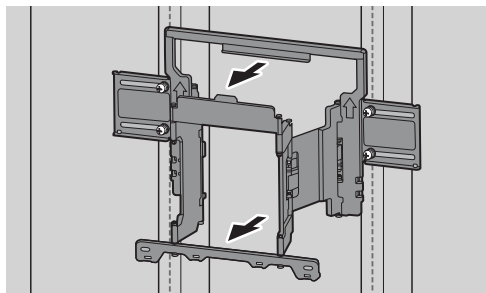
- 7 将合适的螺丝和垫片安装至孔。



注意

- 使用水平仪检查 **WM1** 是否水平。

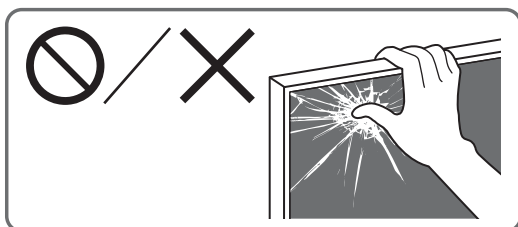
- 8 将支架的支撑臂向外拉到底。



准备安装电视机

注意

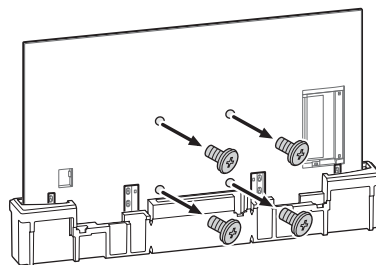
- 拆下的螺丝和不用的部件必须存放在远离儿童的安全场所。



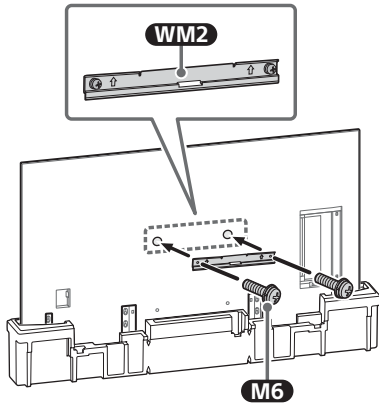
将电视机从纸箱里取出安装到墙上^{*1}

*1 仅针对有限的地区/国家/型号。

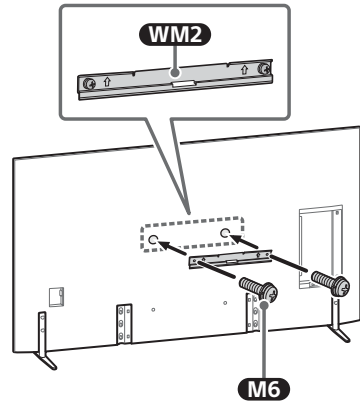
- 1 从电视机背面拆下螺丝。



2 使用 **M6** 将 **WM2** 安装至电视机上。

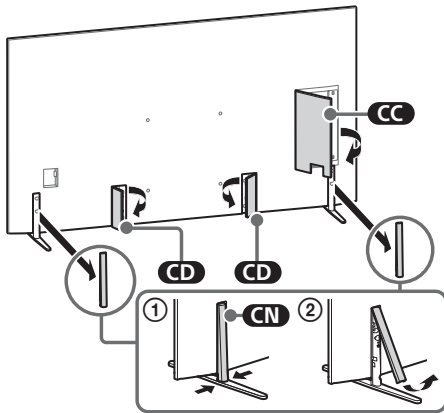


3 使用 **M6** 将 **WM2** 安装至电视机上。

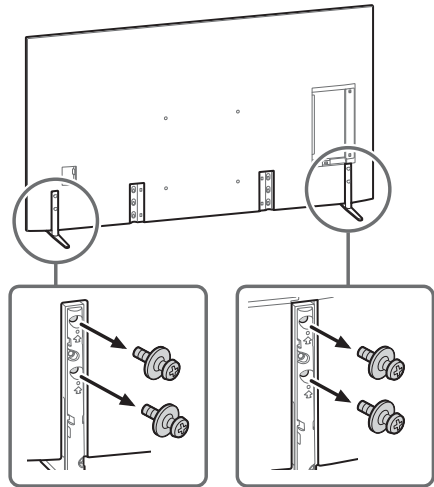


从台式底座上将电视机安装到墙上

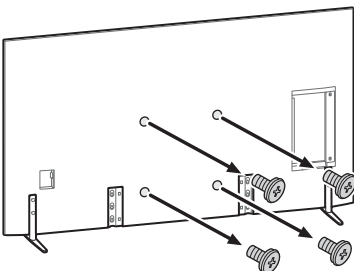
1 拆下底座护盖和端子盖。



4 从电视机上拆下台式底座。



2 从电视机背面拆下螺丝。

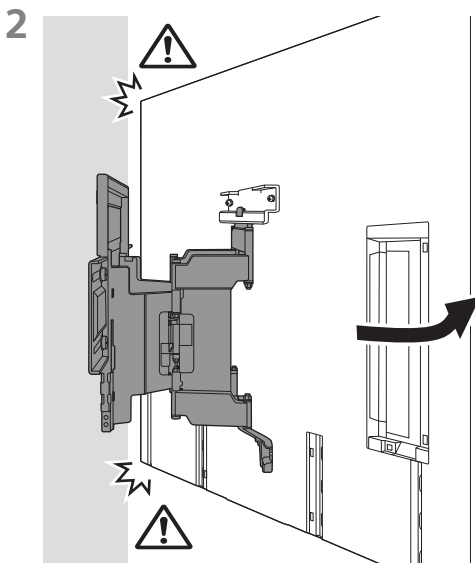
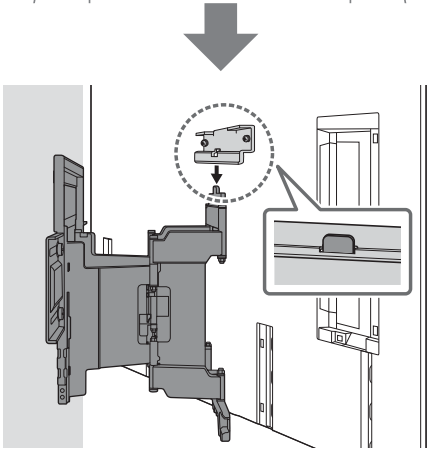
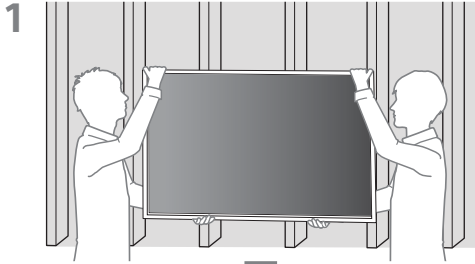
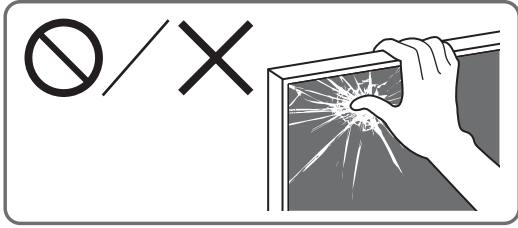


注意

- 抬起电视机时请小心，因为台式底座已拆下，台式底座可能会倾倒并造成人身伤害。
- 从电视机上拆下台式底座时，请务必小心，以避免电视机掉落并损坏安装电视机的表面。

CS

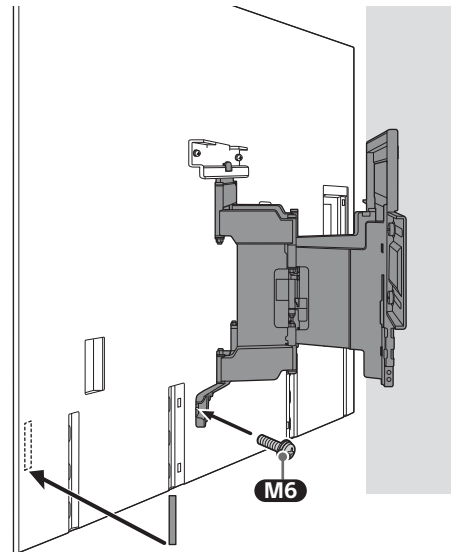
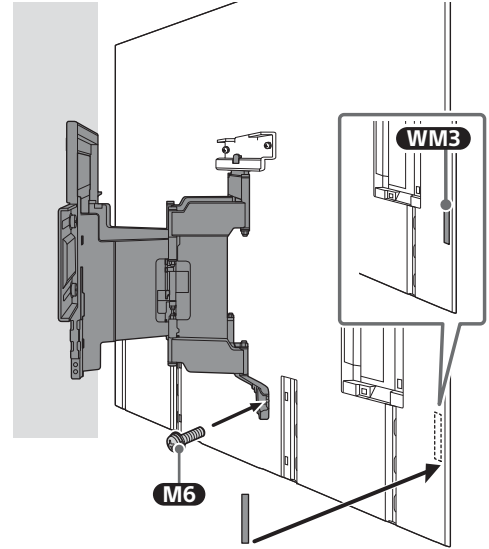
将电视机安装在墙上

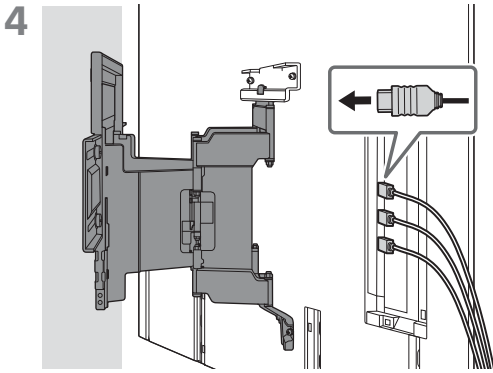


3 使用 **M6** 固定挂壁式支架左右两侧并安装 **WM3**。

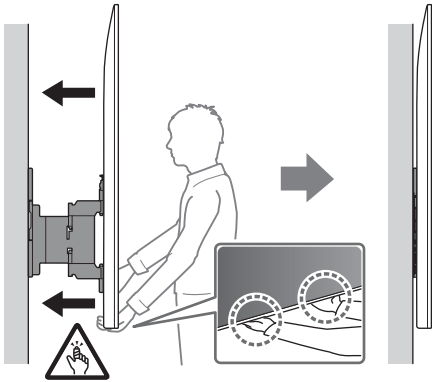
注意

• 请勿将 **WM3** 安装在标签上。



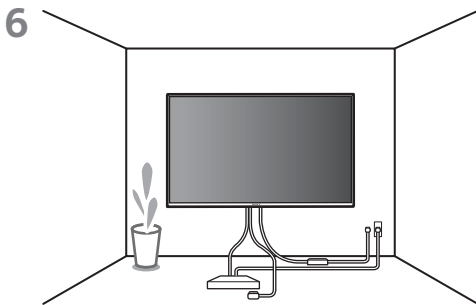


5 移动电视机时，请从底部牢牢抓住。



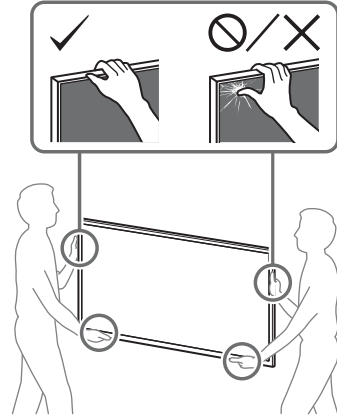
注意

- 根据所接电缆的类型和数量，电视机可能无法移动到紧挨墙壁的位置。这不是故障。



警告

- 搬运大型电视机需要两人或以上（搬运 189.3 cm（75 英寸）及更大的电视机则需要三人或以上）（埃及除外）。
- 搬运大型电视机需要两人或以上（搬运 75 英寸（189.3 cm）及更大的电视机则需要三人或以上）（仅限埃及）。



确认安装完成

请检查以下几点。

- 电线和电缆无扭曲或挤压。

警告

- 交流电源线布置不当等可能会因短路而引起火灾或触电。为了安全起见，请务必确认安装完成。

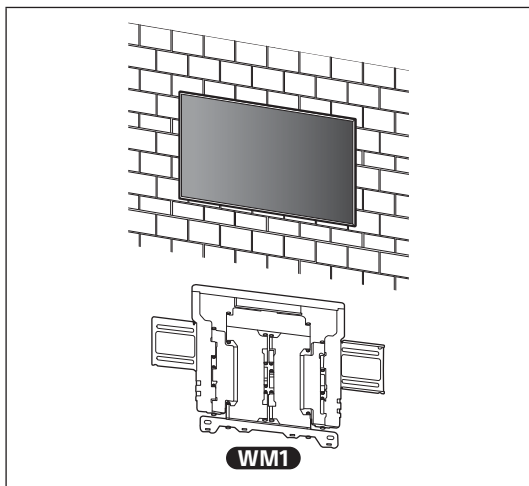
其他信息

拆卸本电视机时，请反向执行上述安装程序。

警告

- 搬运大型电视机需要两人或以上（搬运 189.3 cm（75 英寸）及更大的电视机则需要三人或以上）（埃及除外）。
- 搬运大型电视机需要两人或以上（搬运 75 英寸（189.3 cm）及更大的电视机则需要三人或以上）（仅限埃及）。

B 将挂壁式支架安装至实心混凝土或混凝土砖



将挂壁式支架安装至墙上

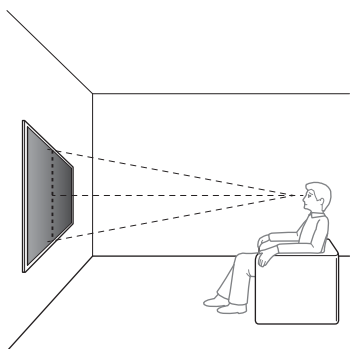
1 确定安装位置。

确保墙壁有足够的空间安装电视机并且能够支撑的重量至少是电视机重量的六倍。

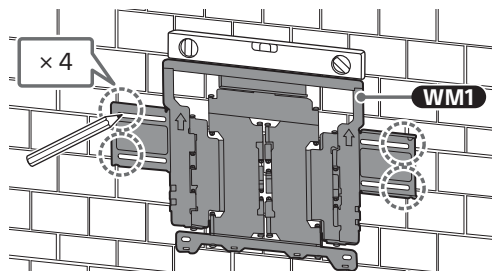
- 请参阅第 17 页“在墙上安装挂壁式支架的尺寸参数”。
- 请参阅您电视机的参考指南，了解其重量。

注意

- 当电视机安装在墙上时，电视机的上侧会稍微向前倾斜。
- 建议在观看环境下确认电视机的位置。



2 将 WM1 对齐至墙壁并做四个标记。

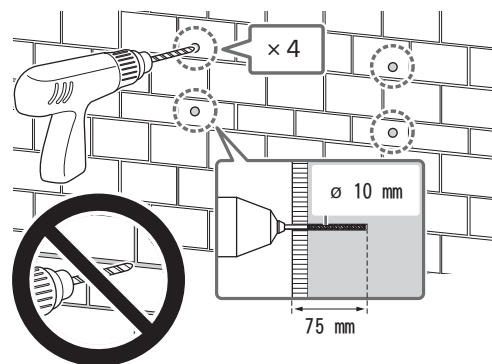


注意

- 使用水平仪检查 WM1 是否水平。

3 在标记上钻定位孔。

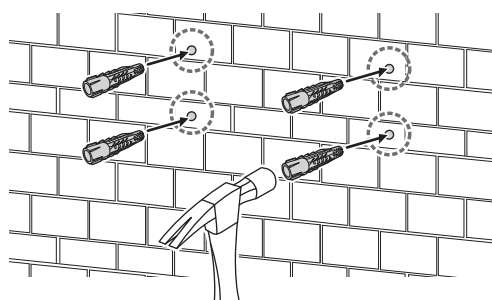
确保墙壁上钻孔的位置足够牢固，能支撑至少电视机六倍的重量。



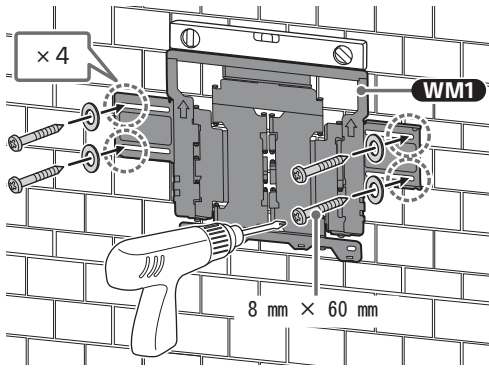
注意

- 必须使用直径 10 mm 的钻头钻定位孔，且深度须达 75 mm。

4



5 使用合适的螺丝（未提供）和垫片（未提供）将 WM1 安装至墙上。



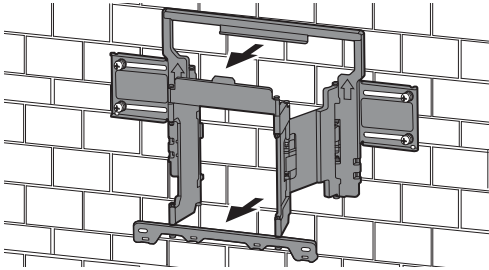
注意

- 使用水平仪检查 WM1 是否水平。

预先注意事项

- 请勿过度拧紧木螺丝 8 mm × 60 mm。不当拧紧可能会减弱木螺丝 8 mm × 60 mm 的抓力。

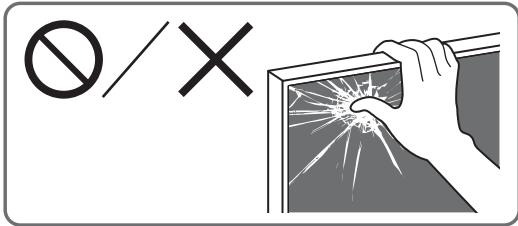
6 将支架的支撑臂向外拉到底。



准备安装电视机

注意

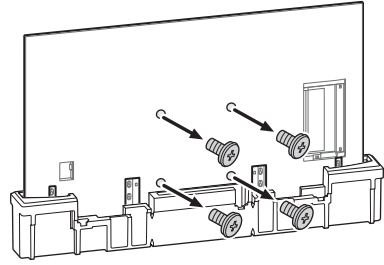
- 拆下的螺丝和不用部件必须存放在远离儿童的安全场所。



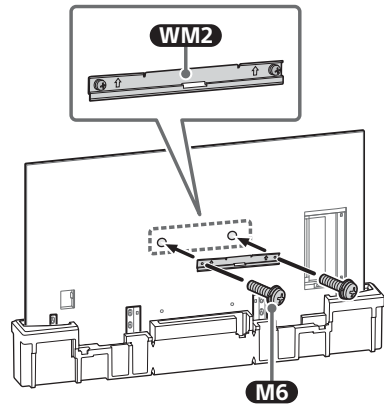
将电视机从纸箱里取出安装到墙上*1

*1 仅针对有限的地区/国家/型号。

1 从电视机背面拆下螺丝。

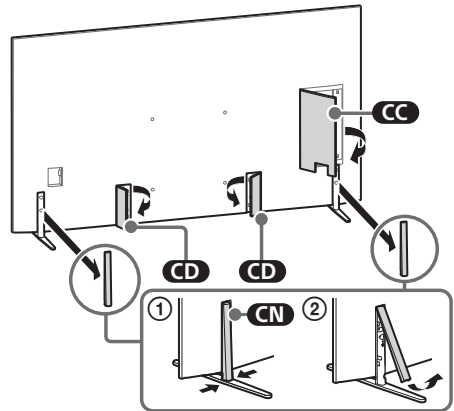


2 使用 M6 将 WM2 安装至电视机上。

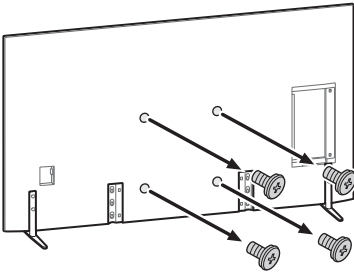


从台式底座上将电视机安装到墙上

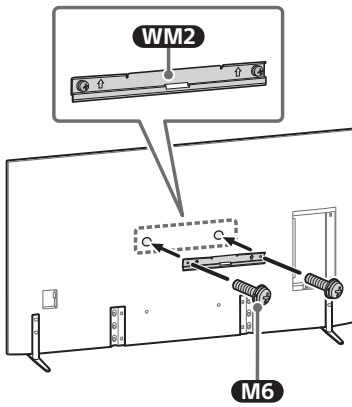
1 拆下底座护盖和端子盖。



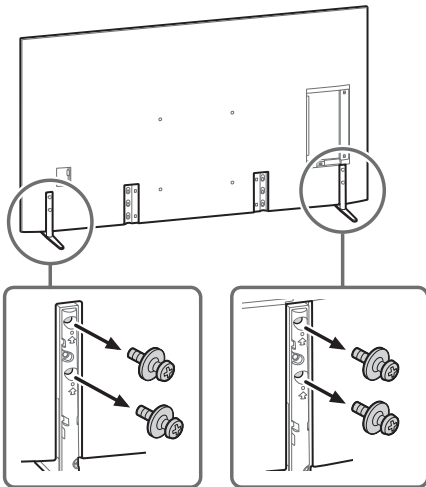
2 从电视机背面拆下螺丝。



3 使用 M6 将 WM2 安装至电视机上。



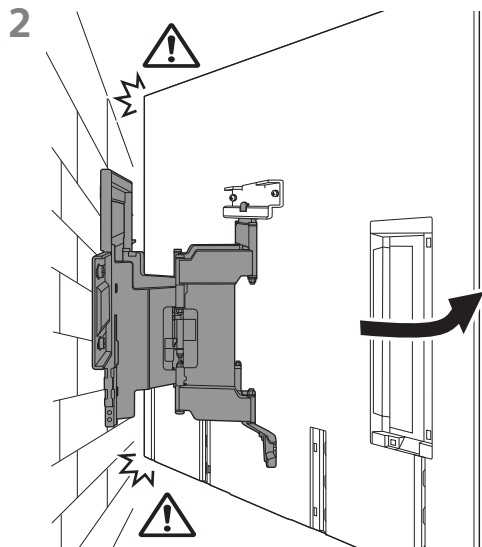
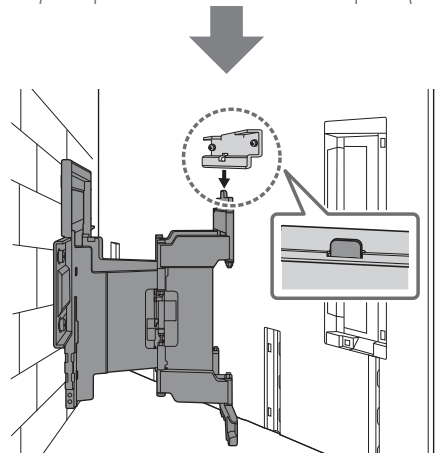
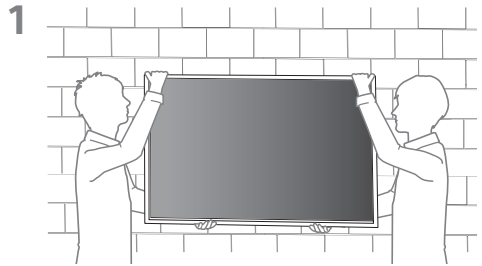
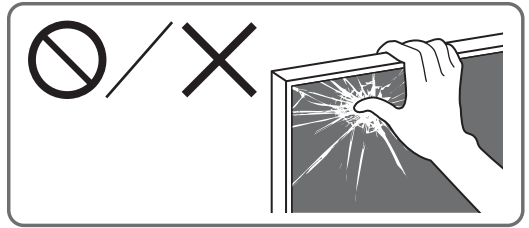
4 从电视机上拆下台式底座。



注意

- 抬起电视机时请小心，因为台式底座已拆下，台式底座可能会倾倒并造成人身伤害。
- 从电视机上拆下台式底座时，请务必小心，以避免电视机掉落并损坏安装电视机的表面。

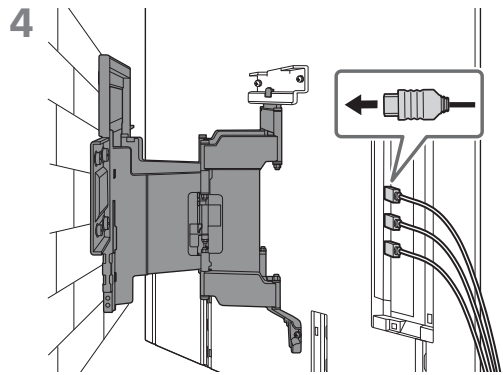
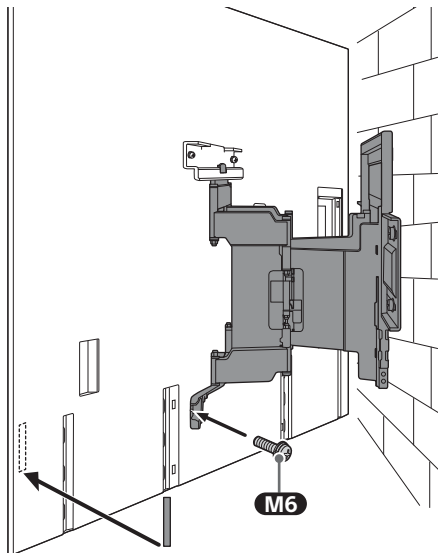
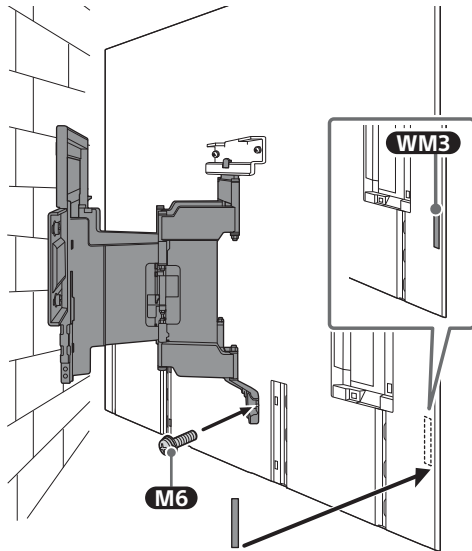
将电视机安装在墙上



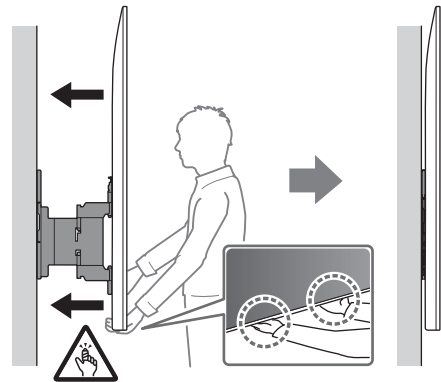
3 使用 **M6** 固定挂壁式支架左右两侧并安装 **WM3**。

注意

- 请勿将 **WM3** 安装在标签上。

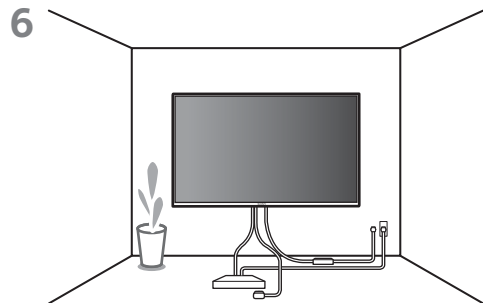


5 移动电视机时，请从底部牢牢抓住。



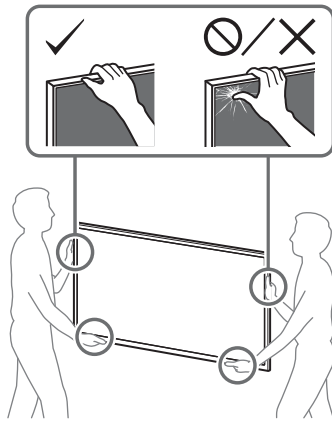
注意

- 根据所接电缆的类型和数量，电视机可能无法移动到紧挨墙壁的位置。这不是故障。



警告

- 搬运大型电视机需要两人或以上（搬运 189.3 cm（75 英寸）及更大的电视机则需要三人或以上）（埃及除外）。
- 搬运大型电视机需要两人或以上（搬运 75 英寸（189.3 cm）及更大的电视机则需要三人或以上）（仅限埃及）。



确认安装完成

请检查以下几点。

- 电线和电缆无扭曲或挤压。

警告

- 交流电源线布置不当等可能会因短路而引起火灾或触电。
为了安全起见，请务必确认安装完成。

其他信息

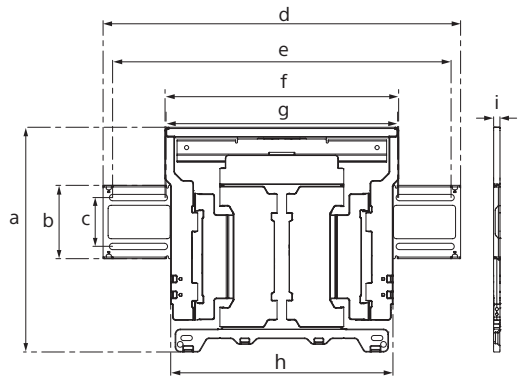
拆卸本电视机时，请反向执行上述安装程序。

警告

- 搬运大型电视机需要两人或以上（搬运 189.3 cm（75 英寸）及更大的电视机则需要三人或以上）（埃及除外）。
- 搬运大型电视机需要两人或以上（搬运 75 英寸（189.3 cm）及更大的电视机则需要三人或以上）（仅限埃及）。

规格

WM1



尺寸：（约）[mm]

a : 354
b : 116
c : 77
d : 563
e : 533
f : 370
g : 368
h : 350
i : 11

重量（仅基座）：（约）[kg]

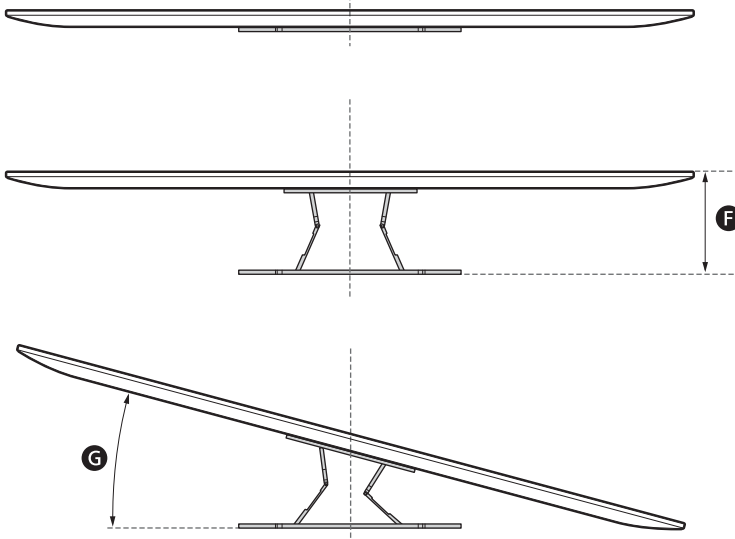
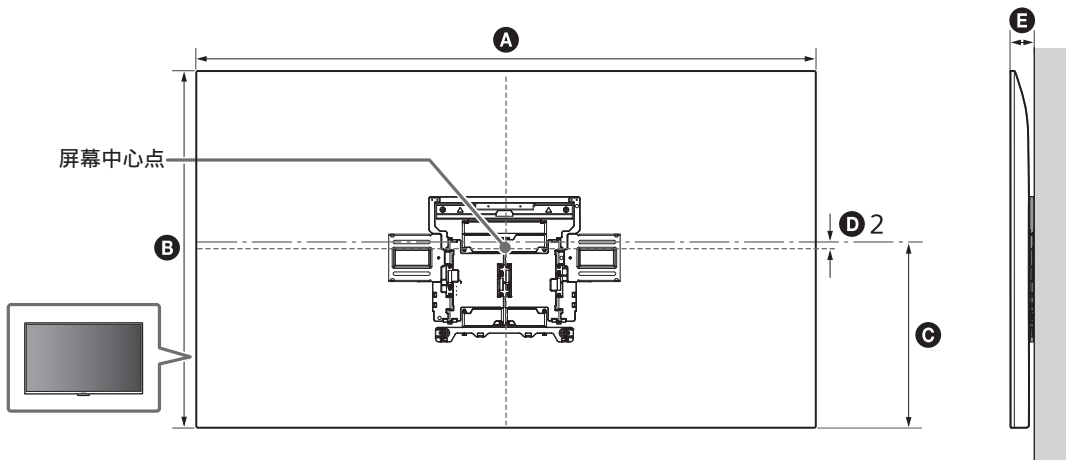
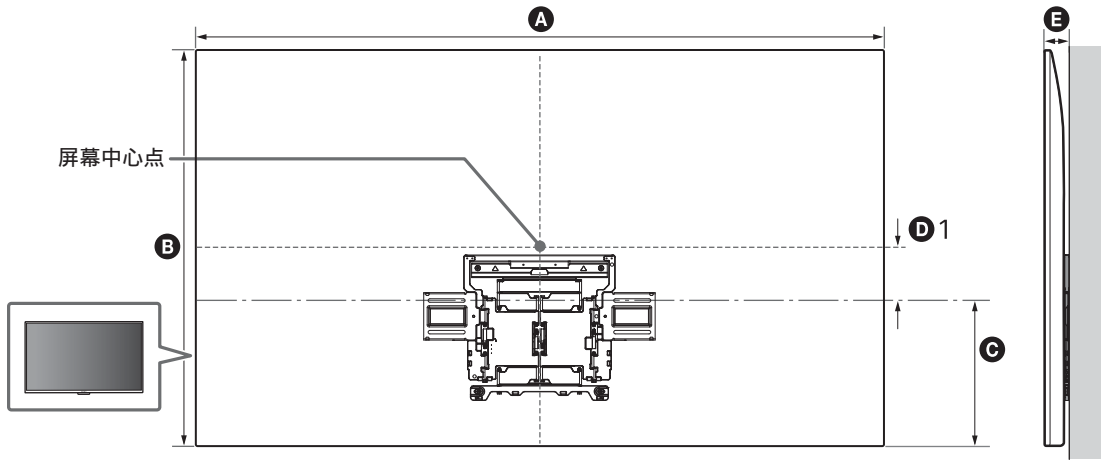
3.0

设计和规格如有变更，恕不另行通知。

参考

在墙上安装挂壁式支架的尺寸参数

制表内的数字视安装而稍微有所不同。



CS

(mm)

型号名称	A	B	C	D 1	D 2	E	F ^{*1}	G ^{*1} (°)
K-77XR8x	1 713	984	362	139	-	48	251.4	12
K-65XR8x	1 442	829	362	57	-	48	250.8	17
K-55XR8x	1 223	706	362	-	3	48	250.8	19

*1 (约)

使用 Sony 壁掛式支架之安裝訊息 (SU-WL850)

支持型號*1:

*1 在實際的型號名稱中，“x” / “xx” 指的是每種型號特有的數字和/或字元。

K-77XR8x / 65XR8x / 55XR8x

致用戶

為保護產品和安全理由，Sony 強烈建議安裝您的電視的任務由 Sony 經銷商或授權承包商進行。請勿試圖自行安裝。

致 Sony 經銷商和承包商

請在安裝、定期維修和檢查本產品時特別注意安全。

安裝本產品，尤其是在確定牆壁強度是否能夠支撐電視機重量方面，需要足夠的專業知識。將本產品安裝於牆上的工作務必要委託 Sony 經銷商或經過授權的承包商進行，而且安裝時要特別注意安全。Sony 對於任何因為錯誤操作或不當安裝所造成的損壞或傷害恕不負責。

為確保安全正確安裝，請遵循壁掛式支架之使用說明書、電視安裝指南及本手冊內說明。

壁掛式支架

安全事項

感謝您購買本產品。

致用戶

將電視機安裝至牆上



需要專業安裝

本產品應僅由專業安裝人員安裝，該安裝人員必須經過培訓，能確定承受電視重量的牆壁強度。安裝期間若未正確固定，電視可能會掉落並造成嚴重受傷。對於因處理或安裝不當，或安裝任何非指定產品而造成的任何損壞或受傷，Sony 概不負責。您的法定權利（若有）不受影響。

致 Sony 經銷商

安裝本產品需要足夠的專業技術。請務必詳讀本使用說明書，以確保安裝本產品時之安全。Sony 對因錯誤操作或不當安裝所造成的任何損壞或傷害，概不承擔責任。請在安裝後將本手冊交給用戶。

本使用說明書介紹了正確使用本產品與防止事故發生需知的重要事項。您有責任閱讀、徹底瞭解並遵照本使用說明書中的指示。否則可能會導致嚴重的人身傷害或財產損失，並可能會使保固無效。請妥善保管本手冊，以備將來參考。

Sony 的產品設計非常注重安全。但是，如果使用不正確，則可能因火災、電擊、產品傾倒或墜落而導致嚴重傷害。請務必遵守安全事項，以防止此類事故發生。

小心

特定產品

本壁掛式支架設計用於指定產品的電視機。有關電視機，請參考其參考指南以確認是否可使用本壁掛式支架。

致用戶

警告

如果不遵守下列事項，則可能因火災、電擊或產品墜落而導致嚴重傷害或死亡。

請務必將安裝工作委託經授權的承包商，並且避免安裝過程中讓孩童接近。

如果壁掛式支架或電視機安裝不正確，則可能發生下列事故。因此請確保安裝工作由經授權的承包商進行。

- 電視機可能會掉落，而造成嚴重的傷害，如挫傷或骨折等。
- 如果安裝壁掛式支架的牆壁不穩固、凹凸不平、或未與地面垂直，裝置可能會掉落，因而造成傷害或財產損失。牆壁應能承受至少六倍於電視機的重量。
(有關您電視機的重量，請參考電視機的參考指南。)
- 如果牆壁上安裝的壁掛式支架不夠牢固，則裝置可能會掉落，並造成傷害或財產損失。

請務必將搬動或拆卸電視機的工作委由經授權的承包商進行。

如果由未經授權的承包商搬動或拆卸電視機，裝置可能會掉落，造成傷害或財產損失。搬運大型電視機需要至少兩個人（搬運 189.3 厘米（75 英寸）及更大的電視機需要至少三個人（埃及除外）。

搬運大型電視機需要至少兩個人（搬運 75 英寸（189.3 厘米）及更大的電視機需要至少三個人）（僅限埃及）。

安裝電視機之後請勿拆除任何螺絲等零件。

否則，電視機可能會掉落，造成傷害或財產損失。

請勿改裝壁掛式支架的零件。

否則，壁掛式支架可能會掉落，造成傷害或財產損失。

請勿將指定產品之外的其他設備安裝到支架上。

本壁掛式支架僅為安裝特定產品而設計。如果您安裝非特定設備，則設備可能會掉落或破裂，造成傷害或財產損失。

除了電視機之外，請勿在壁掛式支架上加掛其他重物。請勿左右或上下搖晃電視機。

否則，電視機可能會掉落，造成傷害或財產損失。

請勿倚靠或攀爬電視機。

請勿倚靠或攀爬電視機，因為裝置可能會掉落在您身上，造成嚴重傷害。

小心

如果不遵守下列事項，則可能造成傷害或財產損失。

- 處理壁掛式支架或轉動電視時，請小心不要夾到手指。
- 轉動電視時，請小心處理，注意不要撞到附近的人。
- 務必將未使用的零件存放在安全的地方，以備將來使用。
請將零件遠離兒童。

清潔或維修過程中，請勿對產品施加過大的力量。

請勿在電視機頂部施加過大的力量。否則，電視機可能會掉落，造成傷害或財產損失。

請勿將本產品放在靠近醫療裝置的地方。

本產品（包括配件）有磁鐵，可能會干擾心臟起搏器、腦積水治療用可調式引流閥，或其他醫療裝置。請勿將本產品放在靠近此類醫療裝置使用者的地方。若您有使用此類醫療裝置，請在使用本裝置前諮詢醫生的意見。

不要讓兒童或受監護者接觸。

本產品（包括配件）有磁鐵。吞嚥磁鐵可能會導致嚴重危害，例如窒息或腸道損傷。如果吞嚥磁鐵，請立即就醫。

注意事項

- 長期使用安裝於壁掛式支架的電視機時，視牆面的材料而定，可能會造成電視機後方或上方的牆面褪色，或是壁紙脫落。
- 在牆壁上安裝壁掛式支架後再將其拆下，牆壁上會留下螺絲孔。
- 請勿在容易受到機械振動的地方使用壁掛式支架。

安裝壁掛式支架

致 Sony 經銷商

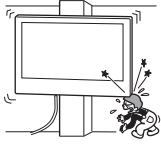
警告

下列說明僅適用於 Sony 經銷商。請務必閱讀上述安全注意事項，並在安裝、維修和檢查本產品時特別注意安全。

CT

請勿將壁掛式支架安裝在會使電視機邊角或側面突出於牆面的牆壁位置。

請勿將壁掛式支架安裝在柱子等會使電視機邊角或側面突出於牆面的牆壁位置。如果人或物品正巧撞到電視機的邊角或側面，則會造成傷害或財產損失。

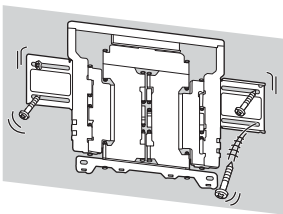


請勿將電視機安裝在冷氣機的上方或下方。

如果電視機長期暴露於冷氣機的漏水或氣流中，可能造成火災、電擊或電視機故障。

請務必依照本使用說明書中的指示，牢固地將壁掛式支架安裝於牆上。

如果有螺絲鬆動或掉落，壁掛式支架可能會掉落，造成傷害或財產損失。務必使用適合牆壁材質的螺絲，並使用四個直徑 8 毫米（或同等）螺絲牢固安裝本裝置。



請務必按照本使用說明書中的指示，正確使用所提供的螺絲和附件。如果使用其他替代零件，電視機可能會掉落，造成人員的受傷或損壞電視機。

請務必按照本使用說明書中介紹的步驟，正確安裝支架。

如果有螺絲鬆動或掉落，電視機可能會掉落，並造成人員的受傷或損壞電視機。

請務必在指定的位置上，將螺絲安全地鎖緊。

否則，電視機可能會掉落，造成人員的受傷或損壞電視機。

安裝的過程中，請務必小心不要讓電視機遭到衝撞。

如果電視機遭到衝撞，可能會掉落或破裂。並可能造成傷害。

請務必將電視機安裝在垂直且平坦的牆面上。

否則，電視機可能會掉落，並造成傷害。

正確安裝電視機後，請確實固定電纜。

如果人或物品勾到電纜，可能會造成傷害或損壞電視機。

請勿使交流電源線或連接電纜受到擠壓。

如果交流電源線或連接電纜被壓在裝置和牆壁之間，或被用力彎曲或扭曲，其內部導線可能會因裸露而短路或斷電。如此可能會引起火災或電擊。



不提供用於將壁掛式支架固定於牆壁的螺絲。

在安裝壁掛式支架時，請使用適合牆壁材料和結構的螺絲。

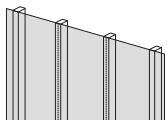
安裝前

- 本手冊中所示的電視的圖例，是為了清晰地對操作進行說明的示例。因此，圖例可能看起來與實際的電視不同。

牆面的材質為何？

首先檢查要安裝電視機的牆面類型。

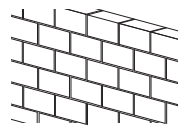
有立柱的乾砌牆



注意事項

- 乾砌牆的最大厚度：16 毫米。
- 確保內部木立柱尺寸至少為 51 毫米 × 102 毫米或一般通用尺寸至少為 38 毫米 × 89 毫米。
- 固定螺絲之間的水平間距至少 406 毫米。

實心混凝土或混凝土磚



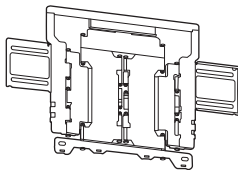



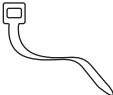
注意事項

- 直接安裝壁掛式支架在實心混凝土牆上。
- 確保實心混凝土牆的厚度至少為 203 毫米。
- 確保每塊混凝土磚的尺寸至少為 203 毫米 × 203 毫米 × 406 毫米。

檢查零件

SU-WL850 隨附組件



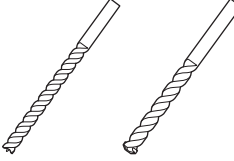
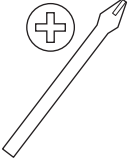
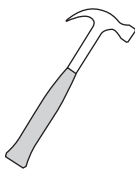
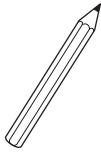
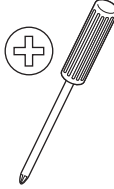
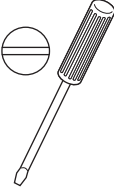
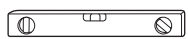



- 確認零件是否完整。

WM1 (×1) 	WM2 (×1) 	WM3 (×4) 
M6 (×4) 	WT1 (×6) 	

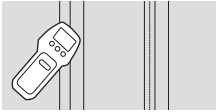
CT

準備安裝

- 安裝前，請將電視機的參考指南和安裝指南放在手邊。
- 確認電視機的安裝位置。
- 準備四個直徑 8 毫米的螺絲和四個合適的墊圈（非附帶）。請選擇適合牆壁材質的螺絲。
- 準備以下工具：

*1 		 5.5 毫米 10 毫米	
*2 		 1.5 N · m { 15 kgf · cm }	*3  1.5 N · m { 15 kgf · cm }
	*2  (×4)	*4  (×4) 8 毫米 × 60 毫米	*4  (×4)

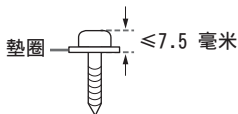
*1 僅用於有立柱的乾砌牆



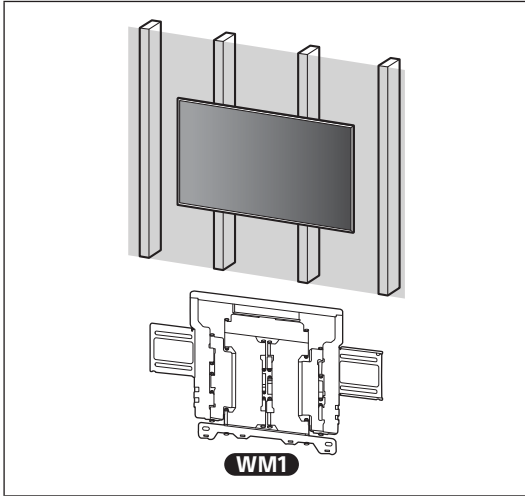
*2 僅用於實心混凝土或混凝土磚

*3 視型號而定

*4 選擇螺絲和墊圈時請注意



A 將壁掛式支架安裝至有立柱的乾砌牆上



將壁掛式支架安裝至牆壁

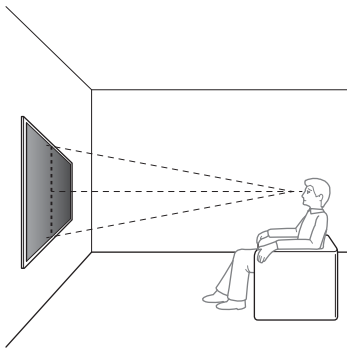
1 確定安裝位置。

請確保牆上有足夠空間安裝電視機，且至少能承受電視機六倍的重量。

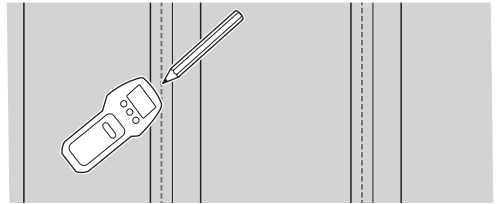
- 請參考第 18 頁“在牆上安裝壁掛式支架的尺寸參數”。
- 有關電視機的重量，請參閱電視機的參考指南。

註

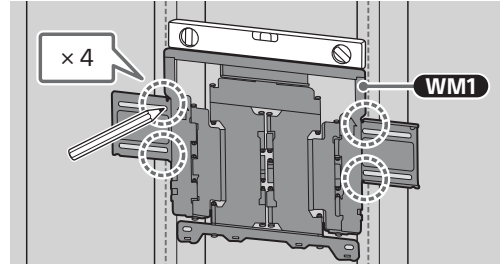
- 當您的電視機安裝在牆上時，電視機的上部稍微向前傾。
- 建議您在觀看環境中檢查電視機位置。



2



3 將 WM1 與牆壁對齊，並做四個與立柱對齊的標記。

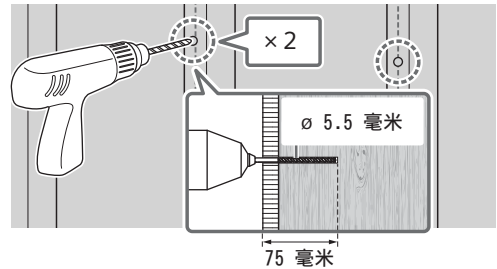


註

- 請使用水平儀檢查 WM1 是否水平。

4 在上方標記處鑽定位孔。

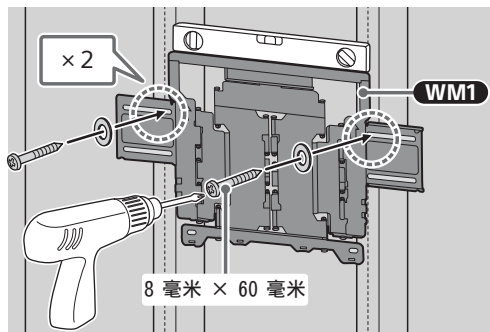
確保牆壁上鑽孔的位置足夠牢固，能支撐至少電視機六倍的重量。



註

- 必須使用直徑 5.5 毫米的鑽頭鑽定位孔，且深度須達 75 毫米。

- 5 使用適合的螺絲（未提供）及墊圈（未提供）將 **WM1** 安裝至牆面上。



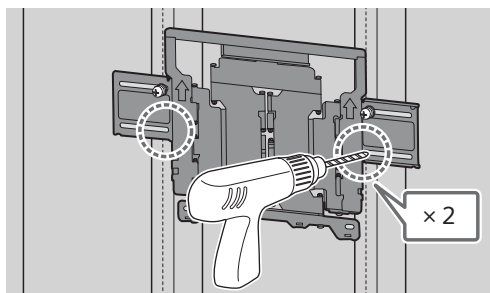
註

- 請使用水平儀檢查 **WM1** 是否水平。

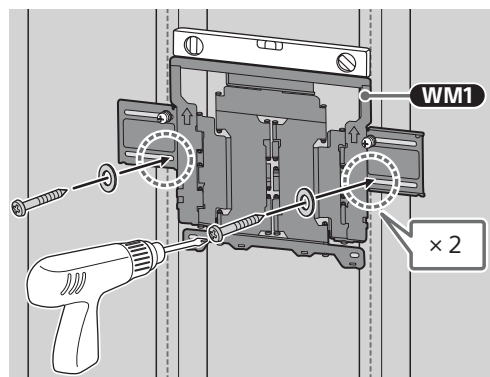
注意事項

- 請勿過度擰緊 8 毫米 × 60 毫米的木螺絲。擰緊不當可能會減少 8 毫米 × 60 毫米木螺絲的握持力。

- 6 在下方標記處鑽定位孔。（關於鑽孔說明，請參閱步驟 4。）



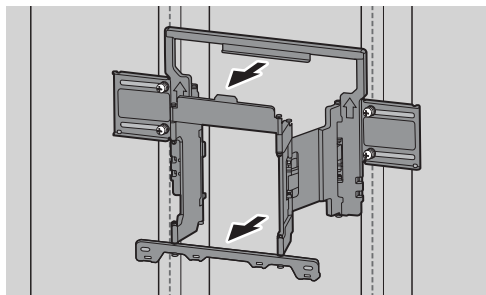
- 7 將適合的螺絲及墊圈安裝至孔內。



註

- 請使用水平儀檢查 **WM1** 是否水平。

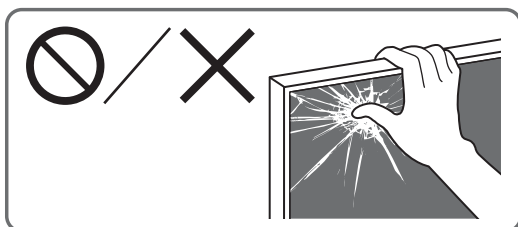
- 8 將支架臂完全拉出。



準備安裝電視機

註

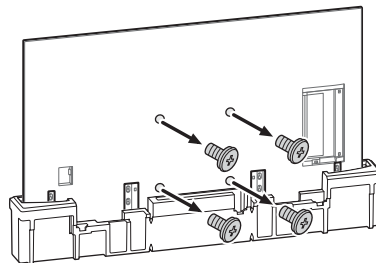
- 請務必將取下的螺絲和不用的零件放置在安全的地方，讓螺絲和零件遠離兒童。



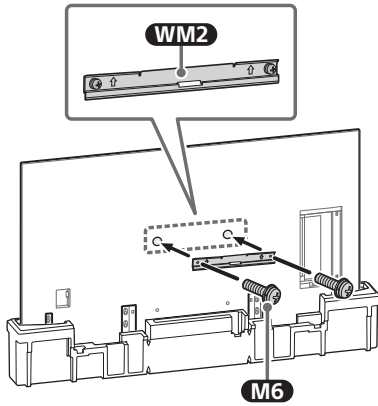
從紙箱將電視機安裝至牆上*1

*1 僅限特定區域/國家/型號。

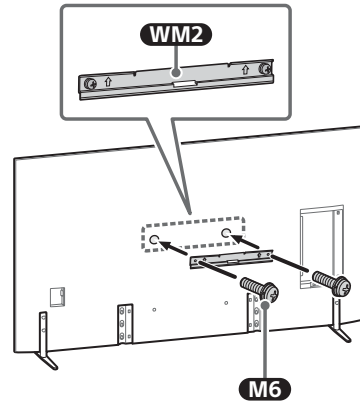
- 1 從電視機背面卸下螺絲。



2 使用 **M6** 將 **WM2** 安裝至電視機上。

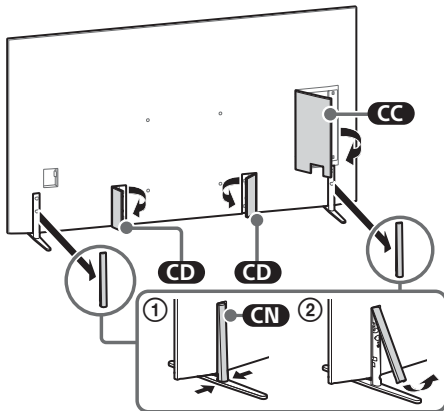


3 使用 **M6** 將 **WM2** 安裝至電視機上。

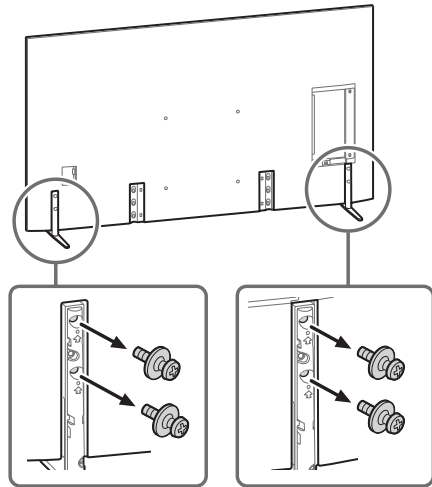


從桌面底座將電視機安裝至牆上

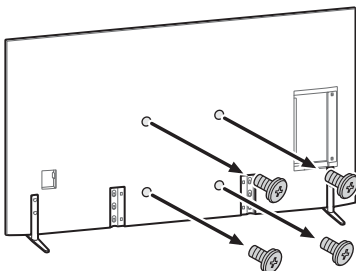
1 卸下支架蓋和端子蓋。



4 從電視機拆卸桌面底座。



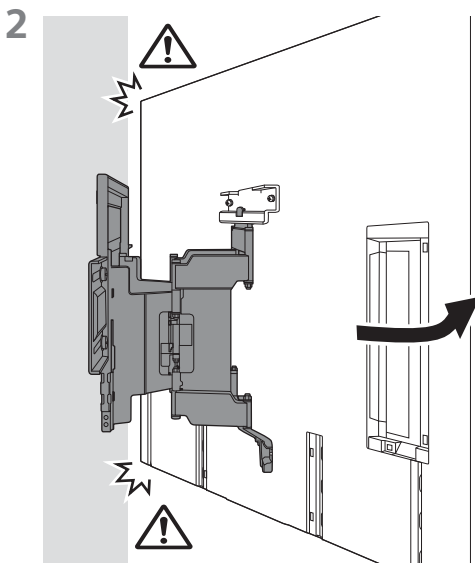
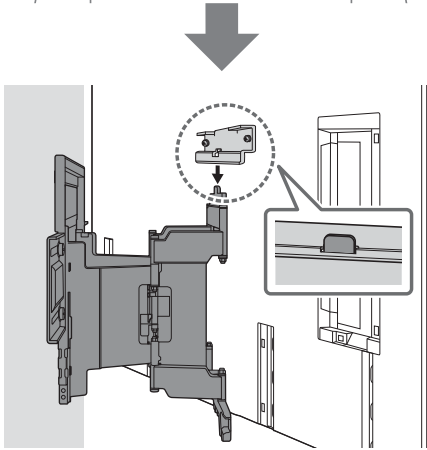
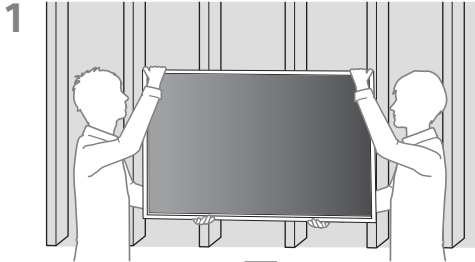
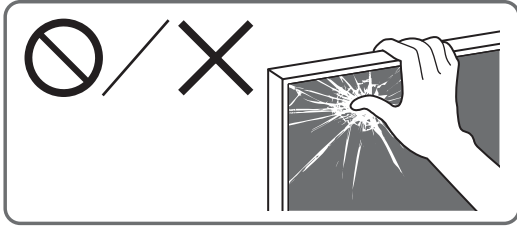
2 從電視機背面卸下螺絲。



註

- 拆卸桌面底座後抬起電視機時要小心，以免桌面底座傾倒而導致人身傷害。
- 當從電視機拆下桌面底座時要小心，防止底座翻倒而損壞放置電視機的表面。

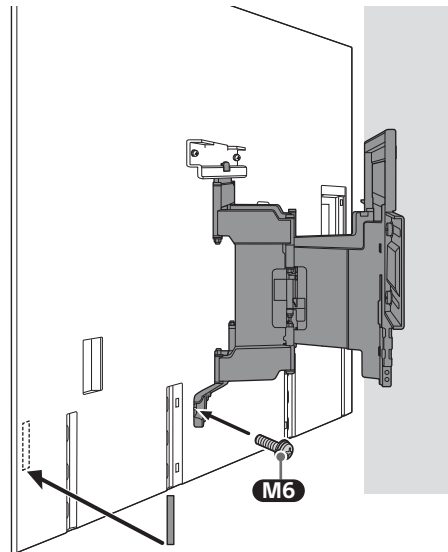
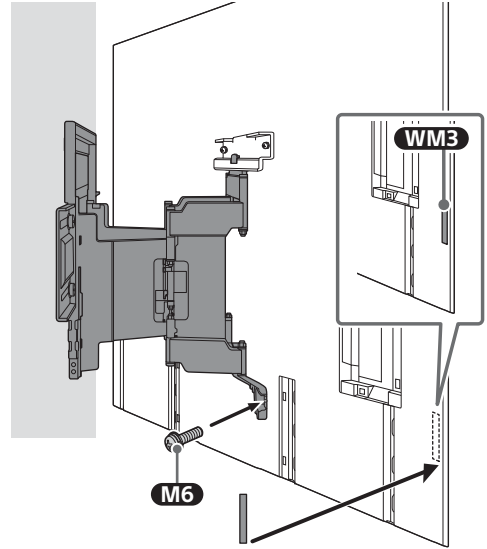
將電視機安裝至牆上

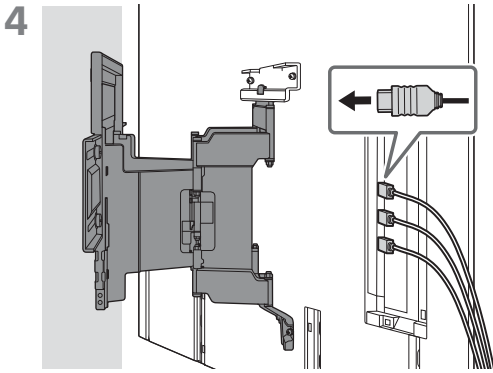


3 使用 **M6** 固定在壁掛式支架的左右兩側，然後裝上 **WM3**。

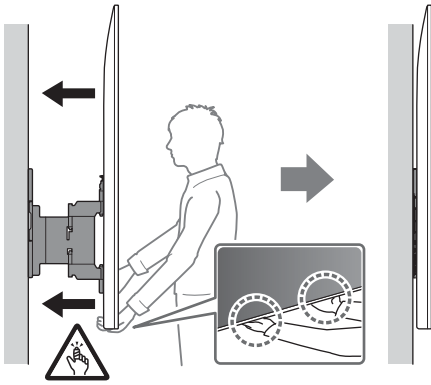
註

• 請勿將 **WM3** 安裝在標籤上。



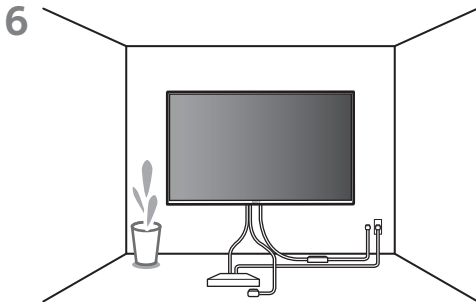


5 移動電視機時，請抓緊底部。



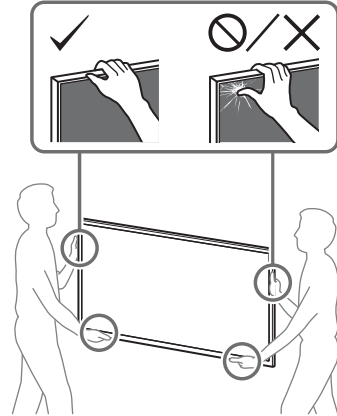
註

- 根據所接電纜的類型和數量，電視可能無法移動到緊挨牆壁的位置。這不是故障。



警告

- 搬運大型電視機需要至少兩個人（搬運 189.3 厘米（75 英寸）及更大的電視機需要至少三個人）（埃及除外）。
- 搬運大型電視機需要至少兩個人（搬運 75 英寸（189.3 厘米）及更大的電視機需要至少三個人）（僅限埃及）。



確認安裝完成

請檢查下列事項。

- 電線和電纜未被扭曲或擠壓。

警告

- 電源線等位置不當，會因短路而引起火或觸電。請務必確認安裝工作已完成，以保證安全。

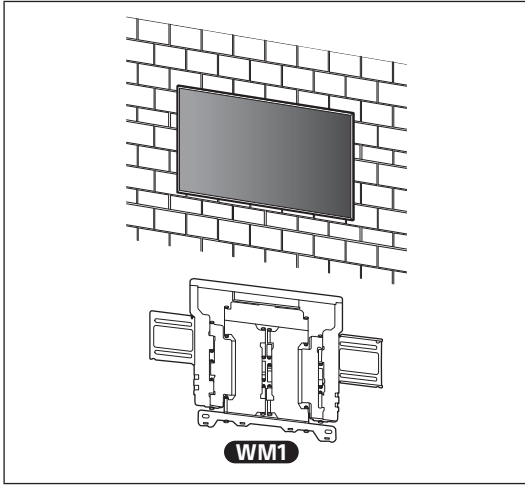
其他資訊

拆下電視機時，請反向操作之前的安裝步驟。

警告

- 搬運大型電視機需要至少兩個人（搬運 189.3 厘米（75 英寸）及更大的電視機需要至少三個人）（埃及除外）。
- 搬運大型電視機需要至少兩個人（搬運 75 英寸（189.3 厘米）及更大的電視機需要至少三個人）（僅限埃及）。

B 將壁掛式支架安裝至實心混凝土或混凝土磚



將壁掛式支架安裝至牆壁

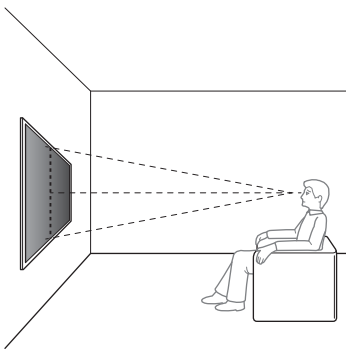
1 確定安裝位置。

請確保牆上有足夠空間安裝電視機，且至少能承受電視機六倍的重量。

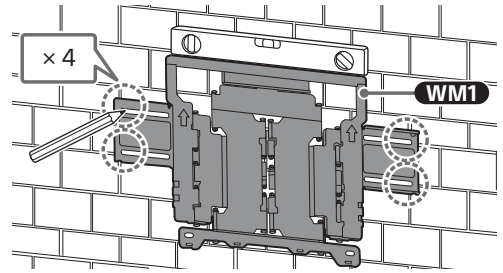
- 請參考第 18 頁“在牆上安裝壁掛式支架的尺寸參數”。
- 有關電視機的重量，請參閱電視機的參考指南。

註

- 當您的電視機安裝在牆上時，電視機的上部稍微向前傾。
- 建議您在觀看環境中檢查電視機位置。



2 將 WM1 與牆壁對齊並做四個標記。

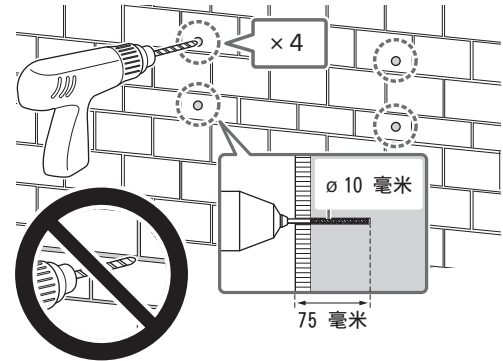


註

- 請使用水平儀檢查 WM1 是否水平。

3 在標記上鑽定位孔。

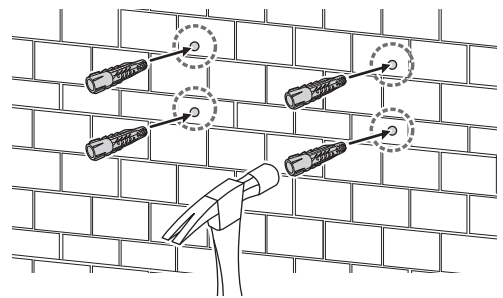
確保牆壁上鑽孔的位置足夠牢固，能支撐至少電視機六倍的重量。



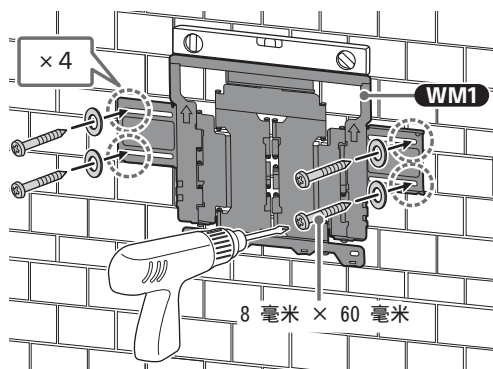
註

- 必須使用直徑 10 毫米的鑽頭鑽定位孔，且深度須達 75 毫米。

4



5 使用適合的螺絲（未提供）及墊圈（未提供）將 **WM1** 安裝至牆面上。



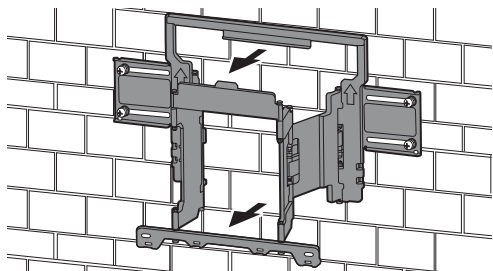
註

- 請使用水平儀檢查 **WM1** 是否水平。

注意事項

- 請勿過度擰緊 8 毫米 × 60 毫米的木螺絲。擰緊不當可能會減少 8 毫米 × 60 毫米木螺絲的握持力。

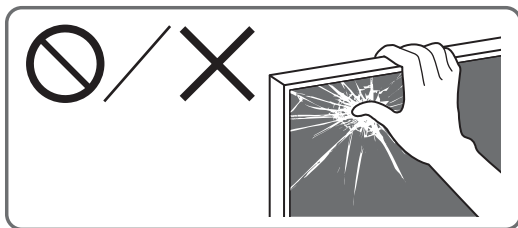
6 將支架臂完全拉出。



準備安裝電視機

註

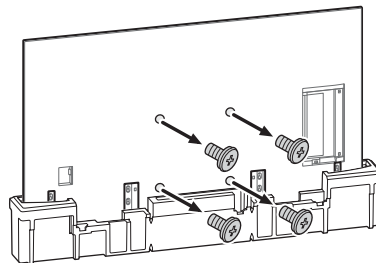
- 請務必將取下的螺絲和不用零件放置在安全的地方，讓螺絲和零件遠離兒童。



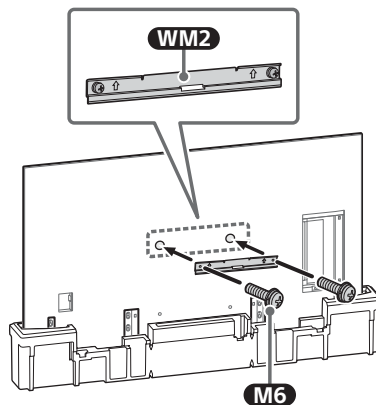
從紙箱將電視機安裝至牆上*1

*1 僅限特定區域/國家/型號。

1 從電視機背面卸下螺絲。



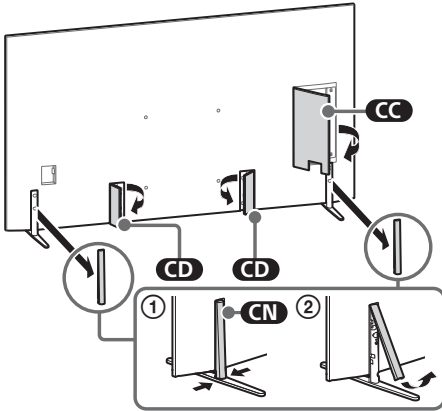
2 使用 **M6** 將 **WM2** 安裝至電視機上。



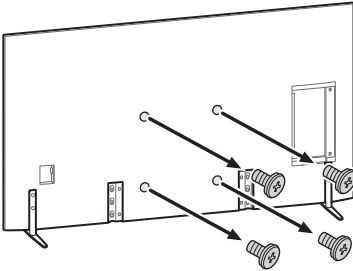
CT

從桌面底座將電視機安裝至牆上

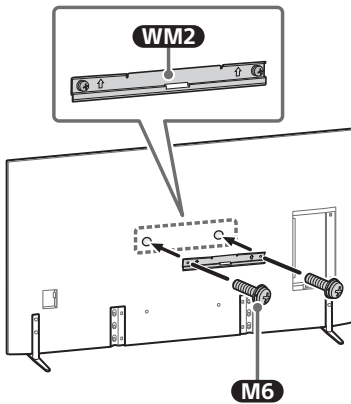
1 卸下支架蓋和端子蓋。



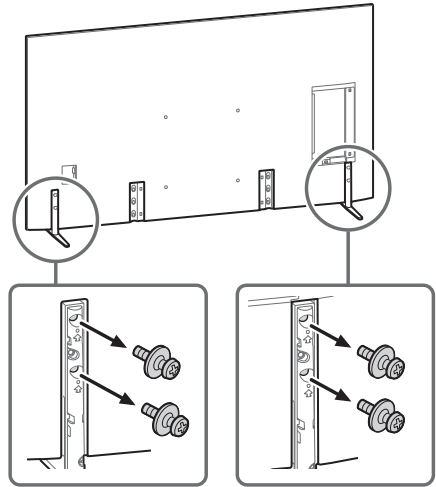
2 從電視機背面卸下螺絲。



3 使用 **M6** 將 **WM2** 安裝至電視機上。



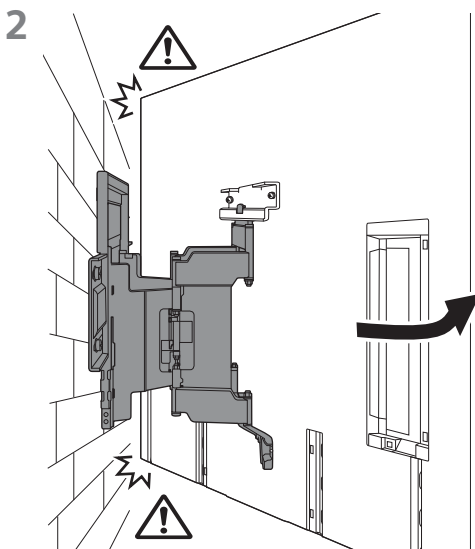
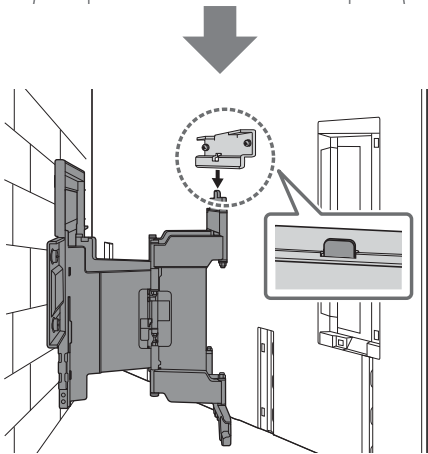
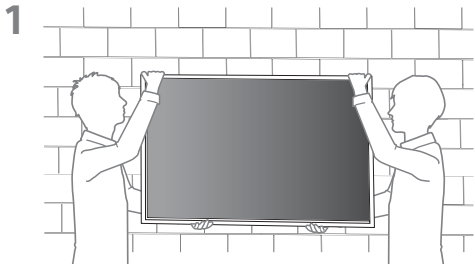
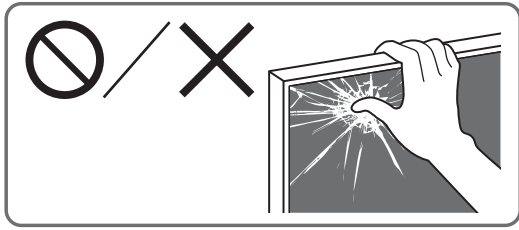
4 從電視機拆卸桌面底座。



註

- 拆卸桌面底座後抬起電視機時要小心，以免桌面底座傾倒而導致人身傷害。
- 當從電視機拆下桌面底座時要小心，防止底座翻倒而損壞放置電視機的表面。

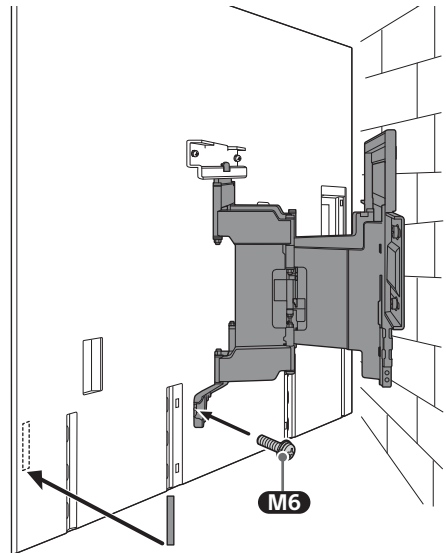
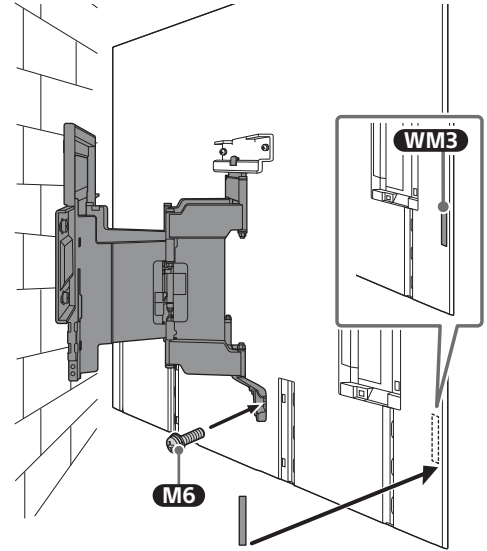
將電視機安裝至牆上



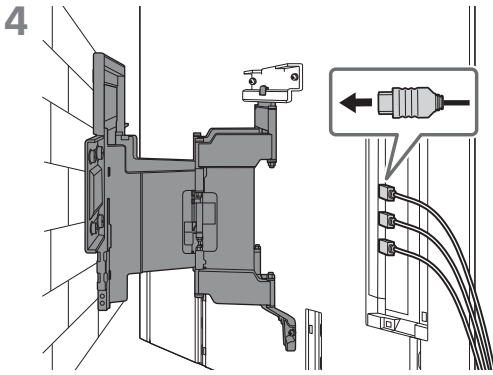
3 使用 **M6** 固定在壁掛式支架的左右兩側，然後裝上 **WM3**。

註

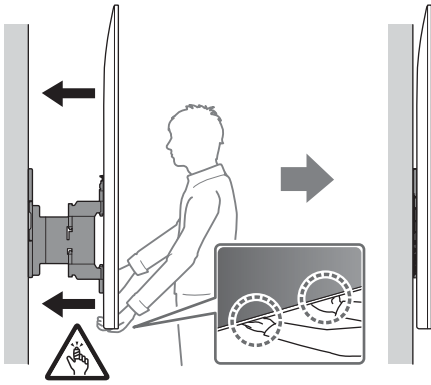
• 請勿將 **WM3** 安裝在標籤上。



CT

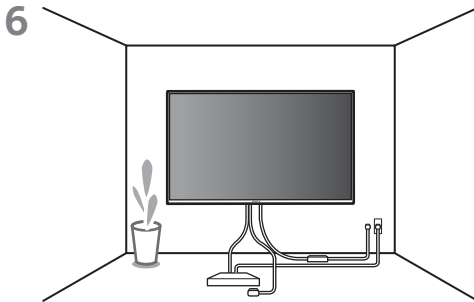


5 移動電視機時，請抓緊底部。



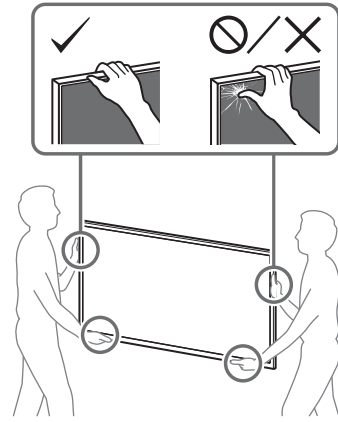
註

- 根據所接電纜的類型和數量，電視可能無法移動到緊挨牆壁的位置。這不是故障。



警告

- 搬運大型電視機需要至少兩個人（搬運 189.3 厘米（75 英寸）及更大的電視機需要至少三個人）（埃及除外）。
- 搬運大型電視機需要至少兩個人（搬運 75 英寸（189.3 厘米）及更大的電視機需要至少三個人）（僅限埃及）。



確認安裝完成

請檢查下列事項。

- 電線和電纜未被扭曲或擠壓。

警告

- 電源線等位置不當，會因短路而引起火或觸電。請務必確認安裝工作已完成，以保證安全。

其他資訊

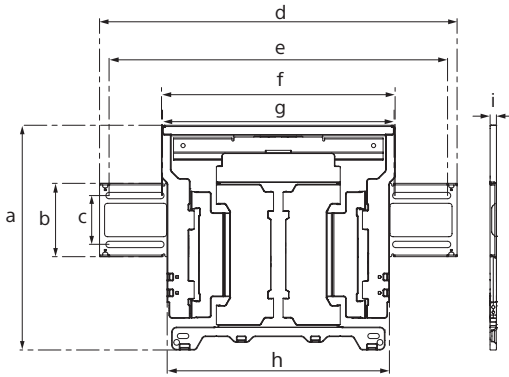
拆下電視機時，請反向操作之前的安裝步驟。

警告

- 搬運大型電視機需要至少兩個人（搬運 189.3 厘米（75 英寸）及更大的電視機需要至少三個人）（埃及除外）。
- 搬運大型電視機需要至少兩個人（搬運 75 英寸（189.3 厘米）及更大的電視機需要至少三個人）（僅限埃及）。

規格

WM1



尺寸：（大約）[毫米]

a : 354

b : 116

c : 77

d : 563

e : 533

f : 370

g : 368

h : 350

i : 11

重量（僅底座）：（大約）[千克]

3.0

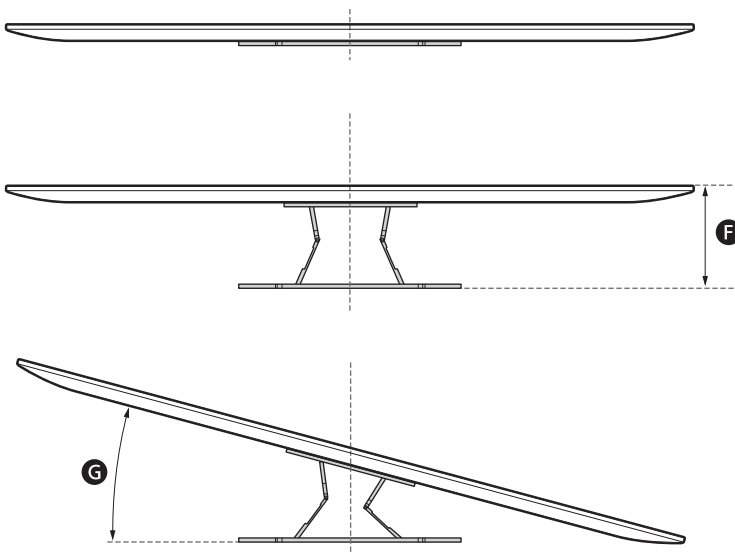
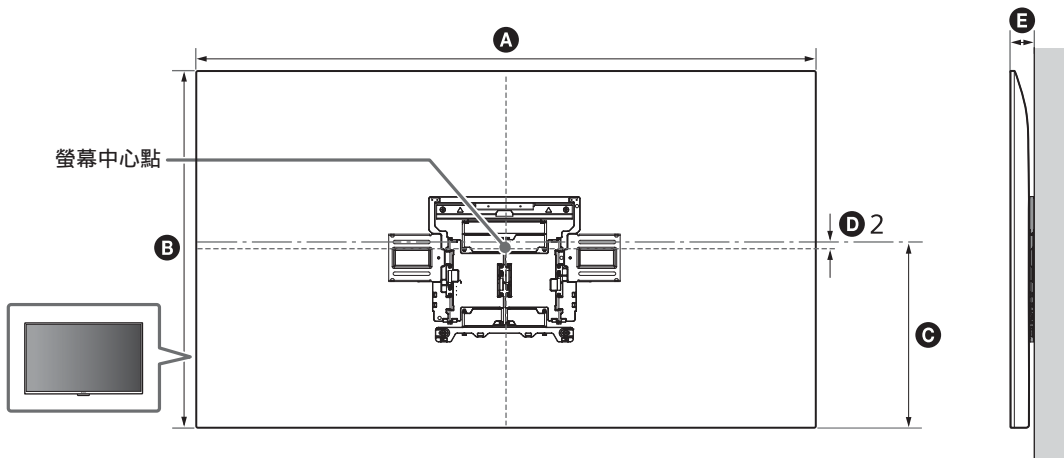
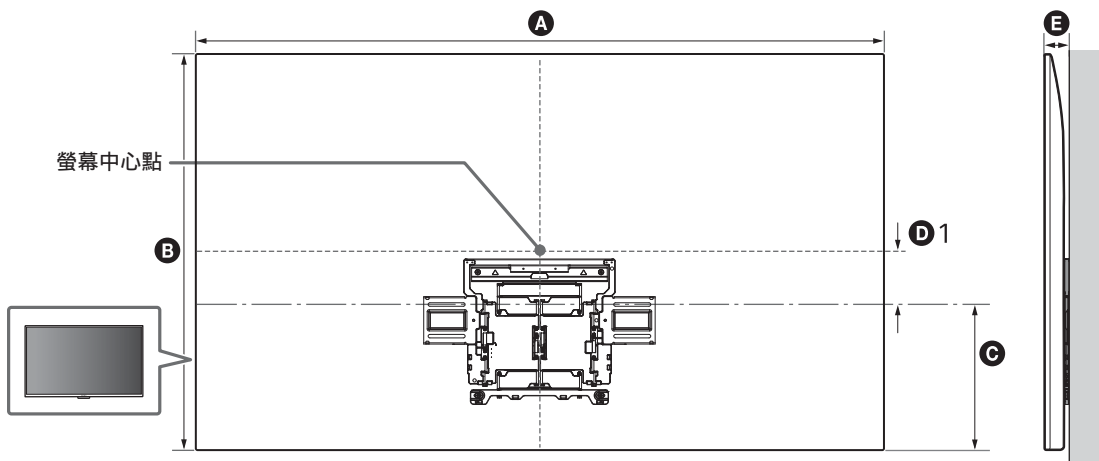
產品設計與規格若有變更，恕不另行通知。

CT

參考

在牆上安裝壁掛式支架的尺寸參數

表中數字可能因安裝方式而稍有不同。



(毫米)

型號名稱	A	B	C	D 1	D 2	E	F ^{*1}	G ^{*1} (°)
K-77XR8x	1 713	984	362	139	-	48	251.4	12
K-65XR8x	1 442	829	362	57	-	48	250.8	17
K-55XR8x	1 223	706	362	-	3	48	250.8	19

*1 (大約)

Thông tin Lắp đặt dành cho Giá đỡ Treo tường Sony (SU-WL850)

Các model được hỗ trợ*1:

*1 Trong tên model thực tế, “x”/“xx” thể hiện các số hiệu và/hoặc ký tự dành riêng cho từng model.

K-77XR8x / 65XR8x / 55XR8x

Với khách hàng

Để bảo vệ sản phẩm và vì lý do an toàn, Sony khuyến cáo rằng việc lắp đặt TV phải do đại lý Sony hoặc các đại lý được ủy quyền của Sony tiến hành. Không nên cố tự lắp đặt sản phẩm.

Với các đại lý và nhà thầu Sony

Hết sức lưu ý tới an toàn trong quá trình lắp đặt, bảo dưỡng định kỳ và kiểm tra sản phẩm.

Cần có đủ chuyên môn để lắp đặt sản phẩm này, đặc biệt khi xác định độ bền của tường để chịu được trọng lượng của TV. Đảm bảo giao việc lắp đặt sản phẩm này trên tường cho đại lý hoặc nhà thầu được cấp phép của Sony và đặc biệt chú ý đến an toàn trong quá trình lắp đặt. Sony sẽ không chịu trách nhiệm với bất cứ hỏng hóc hay chấn thương nào do việc lắp đặt sai hoặc lắp đặt không đúng chuẩn gây ra.

Để lắp đặt an toàn và chính xác, hãy làm theo Hướng dẫn Sử dụng Giá đỡ Treo tường, Hướng dẫn cài đặt TV và các chỉ dẫn trong sách hướng dẫn này.

Giá đỡ Treo tường

Về sự an toàn

Cảm ơn bạn vì đã mua sản phẩm này.

Với khách hàng

Lắp TV in tường



CẢNH BÁO

YÊU CẦU LẮP ĐẶT CHUYÊN NGHIỆP

Sản phẩm này chỉ được lắp đặt bởi thợ lắp đặt có chuyên môn, được đào tạo để xác định sức bền chịu được trọng lượng TV của tường. Nếu không được cố định chắc chắn trong khi lắp đặt, TV có thể bị rơi và gây thương tích nghiêm trọng. Sony sẽ không chịu trách nhiệm với bất cứ hỏng hóc hay chấn thương nào do việc lắp đặt sai hoặc lắp đặt không đúng chuẩn gây ra hoặc lắp đặt sản phẩm không được chỉ định. Quyền pháp định của quý khách (nếu có) không bị ảnh hưởng.

Dành cho Đại lý của Sony

Cần người có kỹ thuật chuyên môn để lắp đặt sản phẩm này. Phải đọc kỹ sách hướng dẫn sử dụng này để tiến hành lắp đặt một cách an toàn. Sony sẽ không chịu trách nhiệm với bất cứ hỏng hóc hay chấn thương nào do việc lắp đặt sai hoặc lắp đặt không đúng chuẩn gây ra. Hãy đưa tài liệu này cho khách hàng sau khi lắp đặt.

Sách hướng dẫn sử dụng này trình bày việc sử dụng sản phẩm đúng cách và những cảnh báo quan trọng cần thiết để phòng ngừa tai nạn. Bạn có trách nhiệm đọc, hiểu rõ và tuân thủ tất cả các chỉ dẫn trong sách hướng dẫn sử dụng này. Việc không tuân thủ có thể dẫn đến thương tích hoặc thiệt hại tài sản nghiêm trọng, và có thể làm mất hiệu lực bảo hành. Giữ lại hướng dẫn sử dụng này để tham khảo về sau.

Các sản phẩm của Sony được thiết kế với lưu ý về sự an toàn. Tuy nhiên, nếu các sản phẩm được sử dụng không đúng cách, có thể dẫn đến thương tích nghiêm trọng do cháy, điện giật, đổ hoặc rơi sản phẩm. Phải tuân thủ các cảnh báo về an toàn để phòng ngừa những tai nạn như vậy.

LƯU Ý

Các sản phẩm được chỉ định

Giá đỡ Treo tường này được thiết kế để sử dụng cùng các sản phẩm được chỉ định cho các TV. Đối với TV, hãy xem Hướng dẫn Tham khảo để xác minh có thể sử dụng Giá đỡ Treo tường.

Với khách hàng

CẢNH BÁO

Nếu không tuân thủ những cảnh báo sau, có thể dẫn đến thương tích nghiêm trọng hoặc tử vong do cháy, điện giật hoặc rơi sản phẩm.

Phải ký hợp đồng phụ về lắp đặt với các nhà thầu được cấp phép và không để trẻ nhỏ lại gần trong quá trình lắp đặt.

Nếu Giá đỡ Treo tường hoặc TV không được lắp đặt đúng cách, các tai nạn sau có thể xảy ra. Phải để các nhà thầu được cấp phép thực hiện việc lắp đặt.

- TV có thể bị rơi và gây ra thương tích nghiêm trọng như thâm tím hoặc gãy xương.
- Nếu tường để lắp đặt Giá đỡ Treo tường không ổn định, không bằng phẳng hoặc không vuông góc với sàn nhà, thiết bị có thể bị rơi và gây ra thương tích hoặc thiệt hại tài sản. Tường phải có khả năng chịu được trọng lượng tối thiểu gấp sáu lần trọng lượng TV.
(Tham khảo trọng lượng của TV trong Hướng dẫn Tham khảo.)
- Nếu lắp đặt Giá đỡ Treo tường trên tường không đủ vững chắc, thiết bị có thể bị rơi và gây ra thương tích hoặc thiệt hại tài sản.

Phải ký hợp đồng phụ về việc di chuyển hoặc tháo dỡ TV với các nhà thầu được cấp phép.

Nếu việc vận chuyển và tháo dỡ TV do người khác không phải nhà thầu được cấp phép tiến hành, TV có thể bị rơi và gây ra thương tích hoặc thiệt hại tài sản. Để di chuyển TV có kích thước lớn cần có ít nhất hai người (ít nhất ba người đối với TV từ 189,3 cm (75 inch) trở lên) (ngoại trừ Ai Cập). Để di chuyển TV có kích thước lớn cần có ít nhất hai người (ít nhất ba người đối với TV từ 75 inch (189,3 cm) trở lên) (chỉ áp dụng với Ai Cập).

Không tháo vít v.v... sau khi lắp TV.

Nếu bạn làm như vậy, TV có thể bị rơi và gây ra thương tích hoặc thiệt hại tài sản.

Không thay đổi các bộ phận của Giá đỡ Treo tường.

Nếu bạn tháo hoặc thay đổi, Giá đỡ Treo tường có thể bị rơi và gây ra thương tích hoặc thiệt hại tài sản.

Không Treo bất kỳ thiết bị nào khác với sản phẩm được chỉ định.

Giá đỡ Treo tường này chỉ được thiết kế để sử dụng với sản phẩm được chỉ định. Nếu bạn treo thiết bị khác với sản phẩm được chỉ định, giá treo có thể bị rơi hoặc vỡ và có thể gây thương tích hoặc thiệt hại tài sản.

Không đặt vật nặng nào khác ngoài TV lên trên Giá đỡ Treo tường. Không lắc TV sang trái/phải, lên/xuống.

Nếu bạn làm như vậy, TV có thể bị rơi và gây ra thương tích hoặc thiệt hại tài sản.

Không dựa hoặc treo các đồ vật lên TV.

Không dựa hoặc treo các đồ vật lên TV vì TV có thể rơi vào bạn và gây ra thương tích nghiêm trọng.

LƯU Ý

Nếu không tuân thủ các cảnh báo sau, có thể xảy ra thương tích hoặc thiệt hại tài sản.

- Cần thận không để ngón tay bạn bị kẹp khi đang tháo tác Giá đỡ Treo tường hoặc xoay TV.
- Giữ TV cẩn thận và không để TV va chạm vào mọi người xung quanh trong khi xoay TV.
- Bảo đảm rằng bạn đặt các chi tiết chưa dùng ở nơi an toàn để sử dụng sau. Để xa tầm tay của trẻ em.

Không tác động lực quá mạnh lên sản phẩm trong quá trình lau hoặc bảo dưỡng.

Không tác động lực quá mạnh lên phía trên của TV. Nếu bạn làm như vậy, TV có thể bị rơi và gây ra thương tích hoặc thiệt hại tài sản.

Không đặt sản phẩm gần các thiết bị y tế.

Sản phẩm này (bao gồm phụ kiện) có (nhiều) nam châm có thể gây nhiễu máy trợ tim, van shunt được lập trình để điều trị bệnh não úng thủy, hay các thiết bị y tế khác. Không đặt sản phẩm này gần những người sử dụng các thiết bị y tế như thế. Tham khảo ý kiến bác sĩ của bạn trước khi dùng sản phẩm này nếu bạn có sử dụng bất kỳ thiết bị y tế nào.

Tránh xa tầm tay trẻ em hoặc những người cần được giám sát.

Sản phẩm này (bao gồm phụ kiện) có (nhiều) nam châm. Nuốt (nhiều) nam châm có thể gây tổn hại nghiêm trọng, như mắc nghẹn hoặc tổn thương ruột. Nếu nuốt phải (một hay nhiều) nam châm, hãy tham khảo ý kiến bác sĩ ngay lập tức.

Cảnh báo

- Nếu bạn sử dụng TV được lắp đặt trên Giá đỡ Treo tường trong một thời gian dài, tường phía sau hoặc phía trên TV có thể bị bạc màu hoặc giấy dán tường có thể bị bong ra, tùy thuộc vào vật liệu của tường.
- Nếu bạn tháo Giá đỡ Treo tường sau khi lắp đặt vào tường, trên tường sẽ còn lại các lỗ bắt vít.
- Không sử dụng Giá đỡ Treo tường ở nơi Giá đỡ Treo tường phải chịu dao động cơ học.

Lắp đặt Giá đỡ Treo tường

Dành cho Đại lý của Sony

CẢNH BÁO

Các hướng dẫn sau đây chỉ dành cho các đại lý của Sony. Đảm bảo đọc các lưu ý về an toàn được mô tả phía trên và đặc biệt chú ý tới sự an toàn trong quá trình lắp đặt, bảo trì và kiểm tra sản phẩm này.

Không lắp đặt Giá đỡ Treo tường trên bề mặt tường mà các góc hoặc cạnh của TV nhô ra khỏi bề mặt tường.

Không lắp đặt Giá đỡ Treo tường trên bề mặt tường như cột, mà các góc hoặc cạnh của TV nhô ra khỏi bề mặt tường. Nếu người hoặc đồ vật nào đó va vào góc hoặc cạnh nhô ra của TV, có thể gây ra thương tích hoặc thiệt hại tài sản.

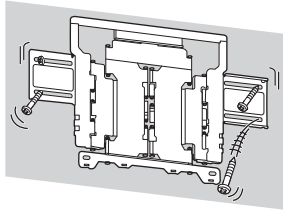


Không lắp đặt TV bên trên hoặc bên dưới điều hoà nhiệt độ.

Nếu TV tiếp xúc với lỗ rò nước hoặc luồng không khí từ điều hoà nhiệt độ trong thời gian dài, có thể dẫn đến cháy, điện giật hoặc hỏng TV.

Đảm bảo lắp đặt chắc chắn Giá đỡ Treo tường vào tường theo các hướng dẫn trong sách hướng dẫn sử dụng này.

Nếu bất kỳ vít nào bị lỏng hoặc rơi ra, Giá đỡ Treo tường có thể bị rơi và gây ra thương tích hoặc thiệt hại tài sản. Phải sử dụng vít phù hợp với vật liệu của tường và lắp chặt thiết bị bằng cách dùng 4 vít đường kính 8 mm (hoặc tương đương).



Phải sử dụng vít đi kèm và các phụ kiện đúng theo các hướng dẫn đã nêu trong sách hướng dẫn sử dụng này. Nếu bạn sử dụng các bộ phận thay thế, TV có thể bị rơi và gây ra thương tích cho người hoặc hỏng hóc TV.

Đảm bảo lắp giá đỡ đúng cách theo quy trình được hướng dẫn được giải thích trong sách hướng dẫn sử dụng này.

Nếu bất kỳ vít nào bị lỏng hoặc rơi ra, TV có thể bị rơi và gây ra thương tích cho người hoặc hỏng hóc TV.

Phải vặn chặt các vít vào vị trí được chỉ định.

Nếu bạn không làm như vậy, TV có thể bị rơi và gây thương tích cho người hoặc hỏng hóc TV.

Cẩn thận để TV không bị va chạm trong quá trình lắp đặt.

Nếu TV bị va chạm, thiết bị có thể bị rơi hoặc vỡ. Việc này có thể gây ra thương tích.

Phải lắp đặt TV trên tường vuông góc và phẳng.

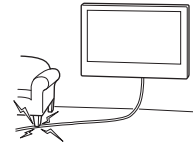
Nếu không làm như vậy, TV có thể rơi và dẫn đến thương tích.

Sau khi lắp đặt TV đúng cách, hãy cố định các cáp đúng cách.

Nếu cáp gây vướng víu cho người hoặc đồ vật, việc này có thể gây ra thương tích hoặc hư hại đối với TV.

Không được để cho dây nguồn AC hoặc cáp nối bị bó kẹt.

Nếu dây nguồn AC hoặc cáp nối bị bó kẹt giữa thiết bị và tường hoặc bị vặn xoắn do lực tác động, dây dẫn điện bên trong có thể bị hở ra và dẫn đến đoản mạch hoặc mất điện. Việc này có thể gây ra cháy hoặc điện giật.



Vít cần thiết để vặn chặt Giá đỡ Treo tường vào tường không được cung cấp.

Sử dụng vít phù hợp đối với cấu trúc và vật liệu tường khi gắn Giá đỡ Treo tường.

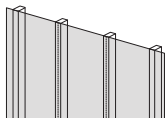
Trước khi bắt đầu

- Hình minh họa về TV trong sách hướng dẫn này là những ví dụ được sử dụng để cung cấp giải thích rõ ràng về hoạt động. Vì lý do này, nên các hình minh họa có thể khác với TV thực tế của bạn.

Tường của bạn xây bằng gì?

Trước tiên, hãy kiểm tra loại tường sẽ lắp TV.

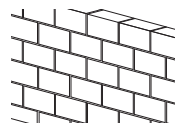
Tường thạch cao có các khung thanh đứng



Cảnh báo

- Độ dày tối đa của tường không tô: 16 mm.
- Đảm bảo kích cỡ của thanh đứng gỗ bên trong ít nhất là 51 mm x 102 mm đối với loại thường hoặc 38 mm x 89 mm đối với loại danh nghĩa.
- Chừa khoảng hở ngang tối thiểu 406 mm giữa các vít.

Bê tông cứng hoặc khối bê tông



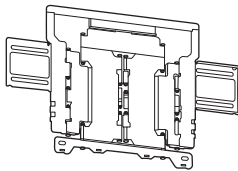



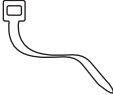
Cảnh báo

- Gắn Giá đỡ Treo tường trực tiếp lên tường bê tông đúc.
- Đảm bảo độ dày của tường bê tông đúc ít nhất là 203 mm.
- Đảm bảo kích cỡ của mỗi viên gạch không nung ít nhất là 203 mm x 203 mm x 406 mm.

Kiểm tra các bộ phận

Được cung cấp cùng với SU-WL850

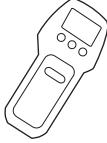

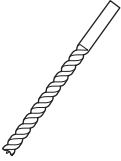
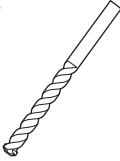
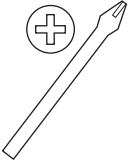
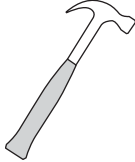
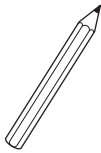
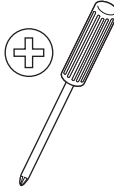
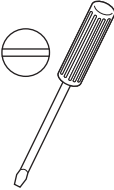
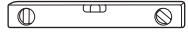



- Xác minh rằng tất cả các bộ phận được bao gồm.

WM1 (x1) 	WM2 (x1) 	WM3 (x4) 
M6 (x4) 	WT1 (x6) 	

VN

Chuẩn bị lắp đặt

- Cầm sẵn Hướng dẫn Tham khảo và Hướng dẫn cài đặt của TV trên tay trước khi lắp đặt.
- Xác nhận vị trí lắp đặt TV của bạn.
- Chuẩn bị bốn con vít có đường kính 8 mm và bốn gioăng (không được cung cấp). Chọn các vít phù hợp với vật liệu tường.
- Chuẩn bị các công cụ sau:

*1 		 5,5 mm	 10 mm	
*2 		 1,5 N·m {15 kgf·cm}	*3  1,5 N·m {15 kgf·cm}	
	*2  (x4)	*4  (x4) 8 mm × 60 mm	*4  (x4)	

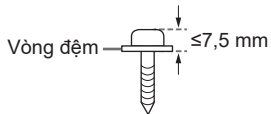
*1 Chỉ dành cho tường thạch cao có các khung thanh đứng



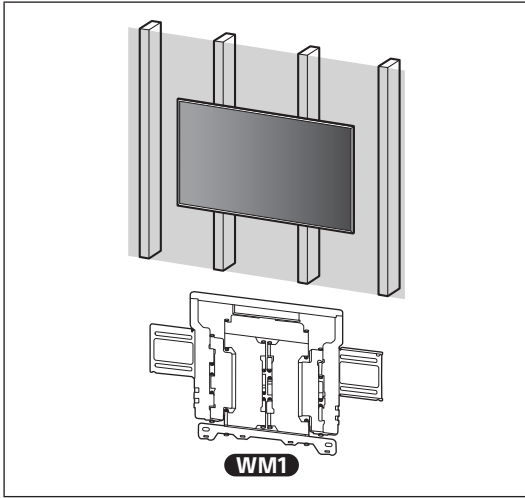
*2 Chỉ dành cho bê tông cứng hoặc khối bê tông

*3 Tùy thuộc vào model

*4 Hãy cẩn thận khi chọn vít và vòng đệm



A Lắp Giá đỡ Treo tường lên tường thạch cao có các khung thanh đứng



Lắp Giá đỡ Treo tường lên tường

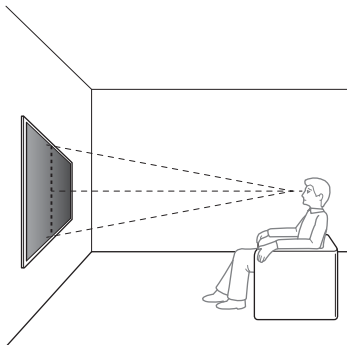
1 Xác định vị trí lắp đặt.

Đảm bảo rằng tường có đủ không gian cho TV và có thể đỡ được tối thiểu sáu lần trọng lượng TV.

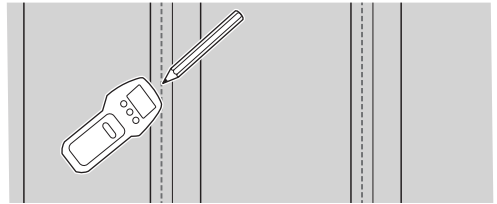
- Tham khảo mục “Đo để lắp đặt Giá đỡ Treo tường trên tường” ở trang 18.
- Tham khảo Hướng dẫn tham khảo của TV để biết trọng lượng của TV.

Lưu ý

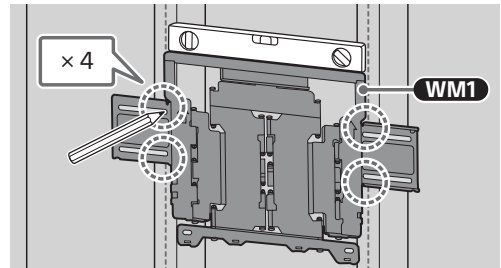
- Khi TV được lắp đặt trên tường, phía trên của TV hơi nghiêng về phía trước.
- Chúng tôi khuyên bạn nên kiểm tra vị trí TV từ nơi ngồi xem.



2



3 Điều chỉnh WM1 với tường và đánh dấu bốn điểm thẳng với các khung thanh đứng.

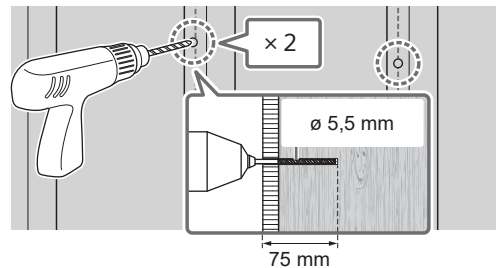


Lưu ý

- Sử dụng thước đo để kiểm tra xem WM1 đã thẳng chưa.

4 Khoan các lỗ thử phía trên lên các điểm đánh dấu.

Đảm bảo vị trí trên tường để khoan các lỗ đủ chắc chắn để đỡ trọng lượng ít nhất gấp sáu lần so với TV.

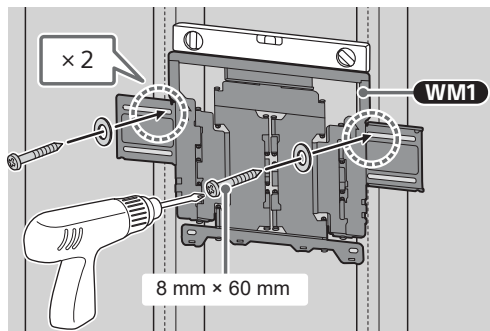


Lưu ý

- Các lỗ thử phải được khoan tới độ sâu 75 mm, dùng mũi khoan có đường kính 5,5 mm.

VN

5 Lắp **WM1** lên tường bằng các con vít (không được cung cấp) và vòng đệm phù hợp (không được cung cấp).



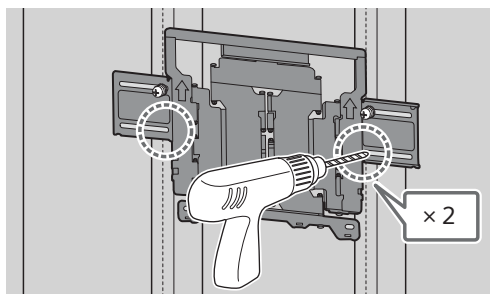
Lưu ý

- Sử dụng thước đo để kiểm tra xem **WM1** đã thẳng chưa.

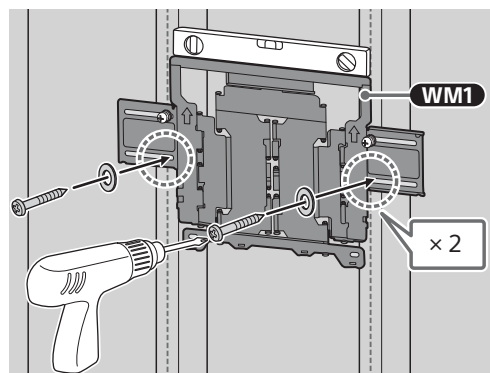
Cảnh báo

- Không siết quá chặt vít gỗ 8 mm x 60 mm. Siết không đúng cách có thể làm giảm lực giữ của vít gỗ 8 mm x 60 mm.

6 Khoan các lỗ thử phía dưới lên các điểm đánh dấu. (Tham khảo bước 4 về hướng dẫn khoan.)



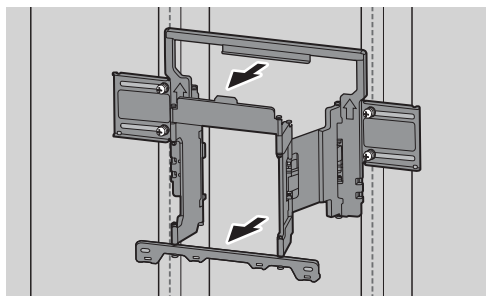
7 Lắp vít và vòng đệm phù hợp vào lỗ.



Lưu ý

- Sử dụng thước đo để kiểm tra xem **WM1** đã thẳng chưa.

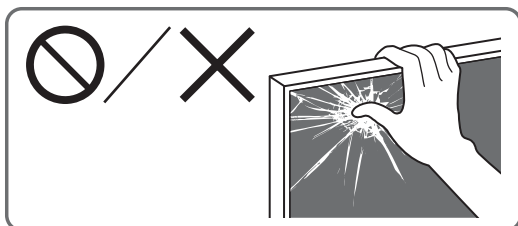
8 Kéo giá đỡ đến hết.



Chuẩn bị lắp đặt TV

Lưu ý

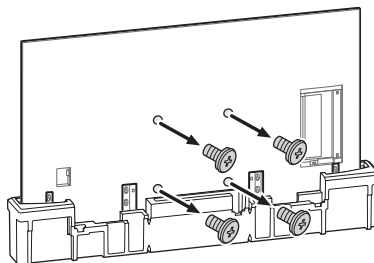
- Bảo đảm cất giữ các ốc vít đã tháo ra và các bộ phận không sử dụng ở nơi an toàn, xa tầm tay của trẻ em.



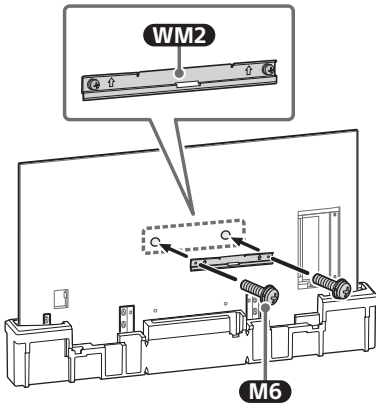
Lắp TV lên tường từ thùng carton*1

- *1 Chỉ dành cho một số khu vực/quốc gia/model.

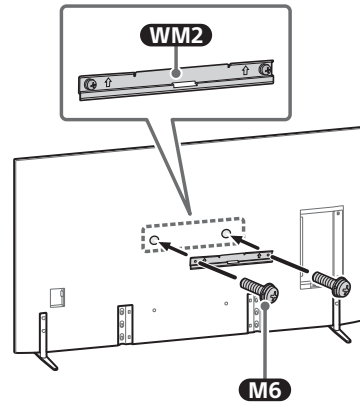
1 Tháo vít khỏi mặt sau của TV.



2 Gắn **WM2** vào TV bằng **M6**.

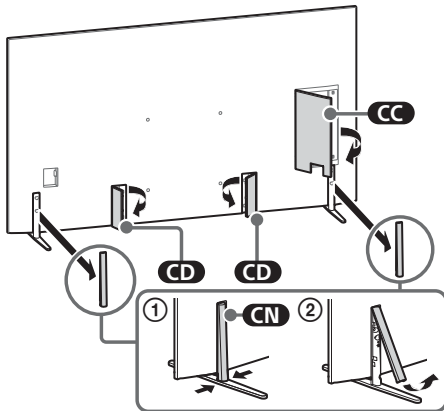


3 Gắn **WM2** vào TV bằng **M6**.

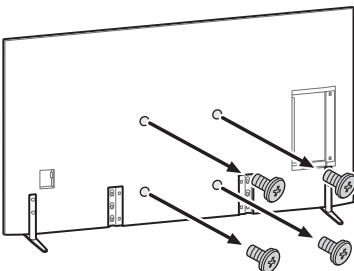


Lắp TV lên tường từ Bộ để bàn

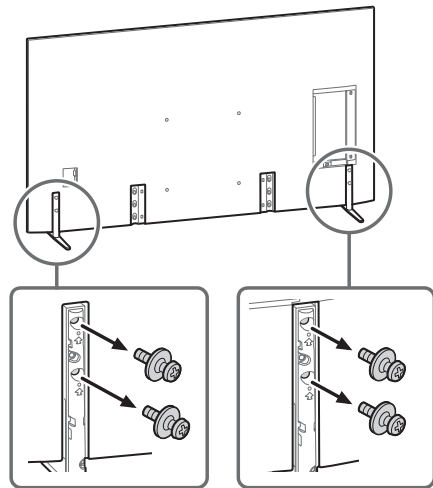
1 Tháo các nắp đậy đế và nắp đậy đầu cực.



2 Tháo vít khỏi mặt sau của TV.



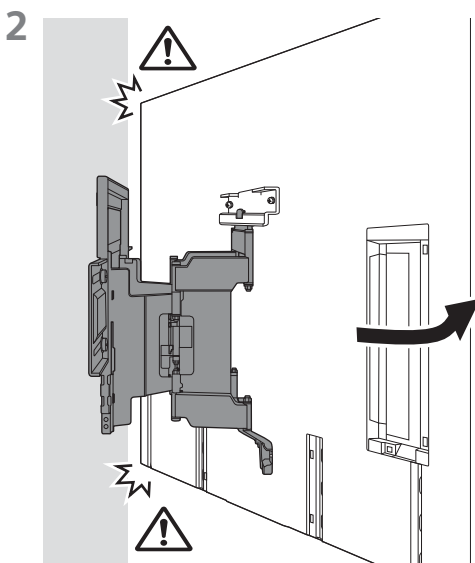
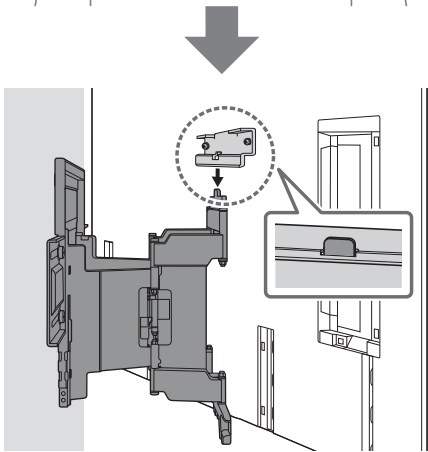
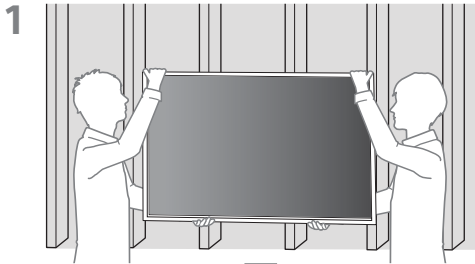
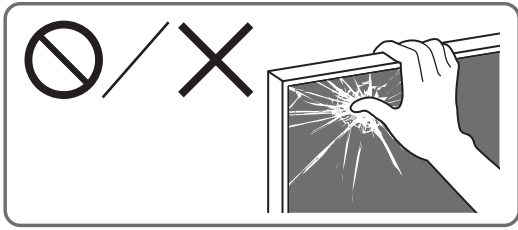
4 Tháo Bộ để bàn ra khỏi TV.



Lưu ý

- Cần thận khi nâng TV vì trong quá trình tháo, Bộ để bàn có thể bị lật và gây thương tích.
- Cần thận khi tháo Bộ để bàn khỏi TV để không bị rơi và gây hư hỏng bề mặt đặt TV.

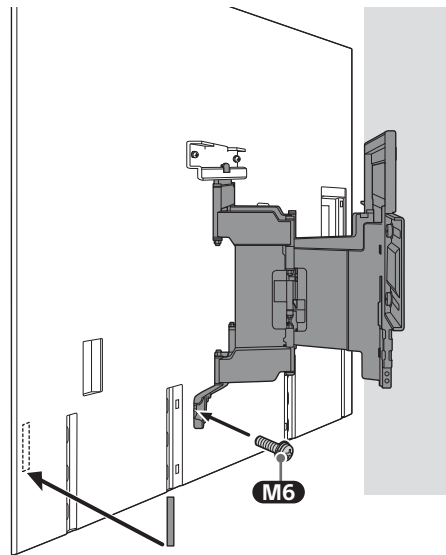
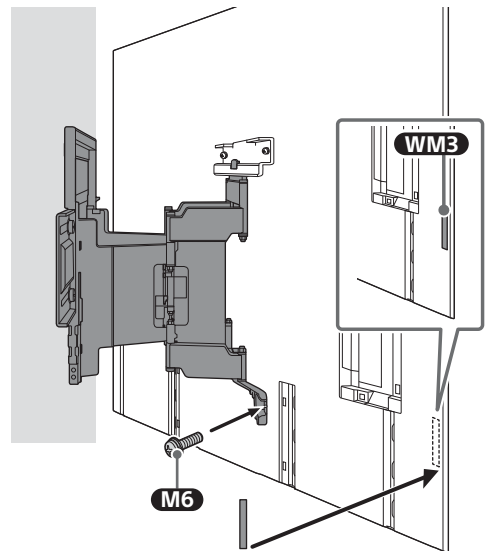
Lắp đặt TV lên tường

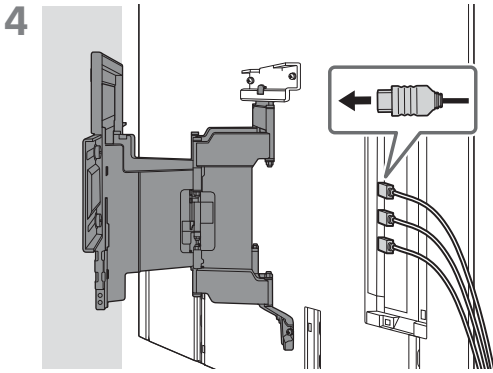


3 Siết vít vào phần bên trái và bên phải của Giá đỡ Treo tường bằng **M6** và gắn **WM3**.

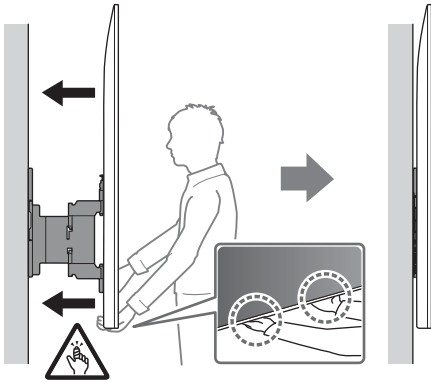
Lưu ý

- Không gắn **WM3** trên nhãn.



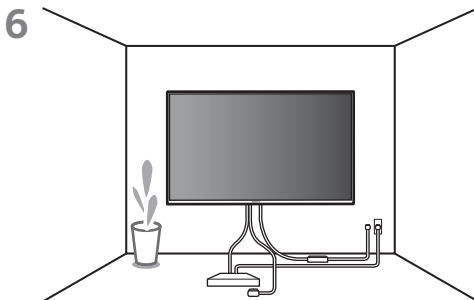


5 Khi di chuyển TV, giữ chắc dưới đáy.



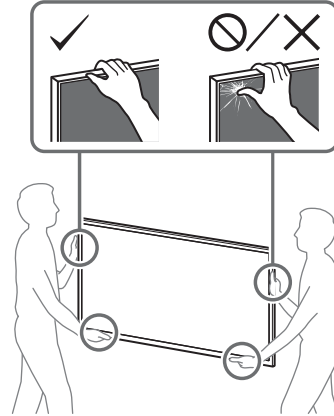
Lưu ý

- TV có thể không di chuyển đến gần tường tùy thuộc vào loại và số lượng cáp được gắn. Dây không phải là sự cố.



CẢNH BÁO

- Để di chuyển TV có kích thước lớn cần có ít nhất hai người (ít nhất ba người đối với TV từ 189,3 cm (75 inch) trở lên) (ngoại trừ Ai Cập).
- Để di chuyển TV có kích thước lớn cần có ít nhất hai người (ít nhất ba người đối với TV từ 75 inch (189,3 cm) trở lên) (chỉ áp dụng với Ai Cập).



Xác nhận hoàn thành việc lắp đặt

Kiểm tra các điểm sau.

- Dây và cáp không bị vặn xoắn hoặc bó kẹt.

CẢNH BÁO

- Việc đặt dây nguồn, v.v. không phù hợp có thể gây cháy hoặc điện giật do chập điện. Đảm bảo xác nhận hoàn thành việc lắp đặt một cách an toàn.

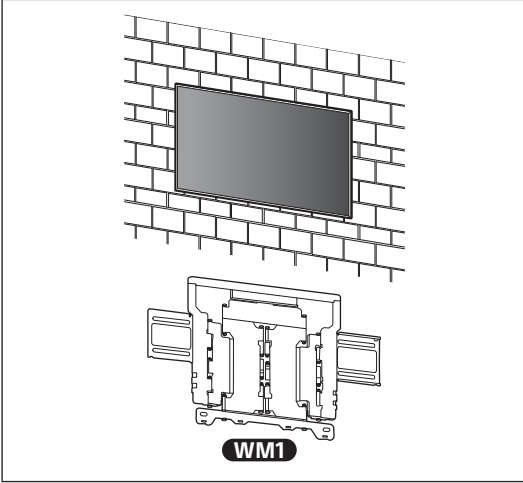
Thông tin khác

Khi tháo TV, hãy đảo ngược quy trình lắp đặt trước đó.

CẢNH BÁO

- Để di chuyển TV có kích thước lớn cần có ít nhất hai người (ít nhất ba người đối với TV từ 189,3 cm (75 inch) trở lên) (ngoại trừ Ai Cập).
- Để di chuyển TV có kích thước lớn cần có ít nhất hai người (ít nhất ba người đối với TV từ 75 inch (189,3 cm) trở lên) (chỉ áp dụng với Ai Cập).

B Gắn Giá đỡ Treo tường vào bê tông cứng hoặc khối bê tông



Lắp Giá đỡ Treo tường lên tường

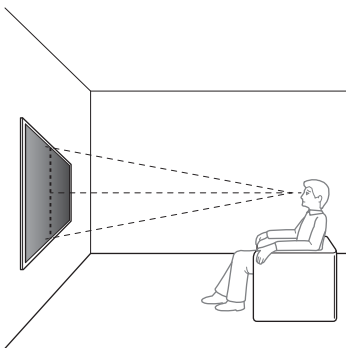
1 Xác định vị trí lắp đặt.

Đảm bảo rằng tường có đủ không gian cho TV và có thể đỡ được tối thiểu sáu lần trọng lượng TV.

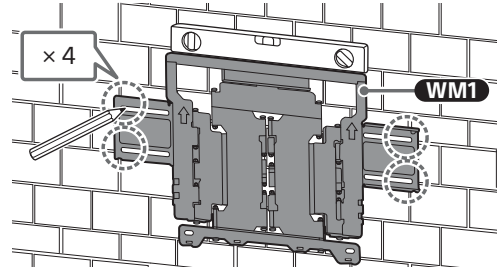
- Tham khảo mục “Đo để lắp đặt Giá đỡ Treo tường trên tường” ở trang 18.
- Tham khảo Hướng dẫn tham khảo của TV để biết trọng lượng của TV.

Lưu ý

- Khi TV được lắp đặt trên tường, phía trên của TV hơi nghiêng về phía trước.
- Chúng tôi khuyên bạn nên kiểm tra vị trí TV từ nơi ngồi xem.



2 Điều chỉnh WM1 với tường và đánh dấu bốn điểm.

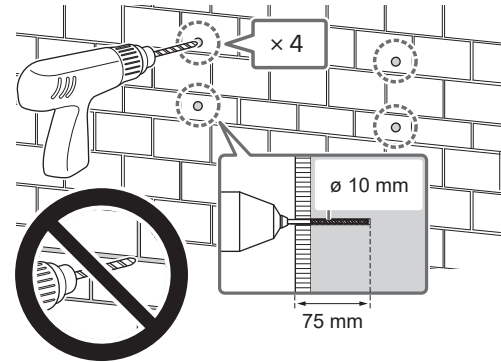


Lưu ý

- Sử dụng thước đo để kiểm tra xem WM1 đã thẳng chưa.

3 Khoan các lỗ thử lên các điểm đánh dấu.

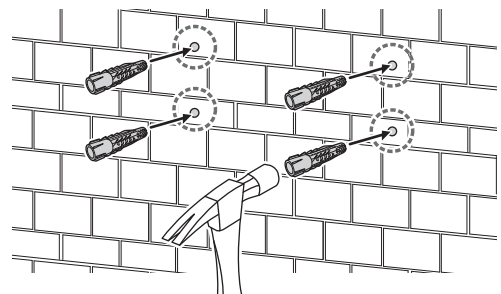
Đảm bảo vị trí trên tường để khoan các lỗ đủ chắc chắn để đỡ trọng lượng ít nhất gấp sáu lần so với TV.



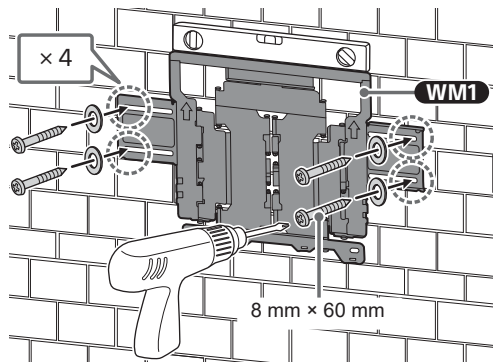
Lưu ý

- Các lỗ thử phải được khoan tới độ sâu 75 mm, dùng mũi khoan có đường kính 10 mm.

4



- 5 Lắp **WM1** lên tường bằng các con vít (không được cung cấp) và vòng đệm phù hợp (không được cung cấp).



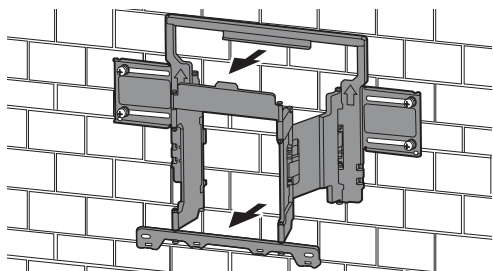
Lưu ý

- Sử dụng thước đo để kiểm tra xem **WM1** đã thẳng chưa.

Cảnh báo

- Không siết quá chặt vít gỗ 8 mm x 60 mm. Siết không đúng cách có thể làm giảm lực giữ của vít gỗ 8 mm x 60 mm.

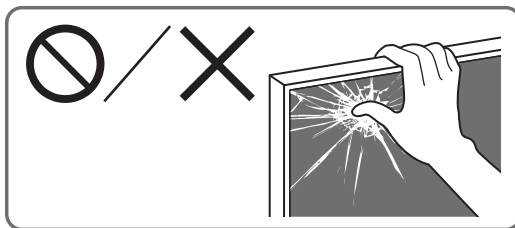
- 6 Kéo giá đỡ đến hết.



Chuẩn bị lắp đặt TV

Lưu ý

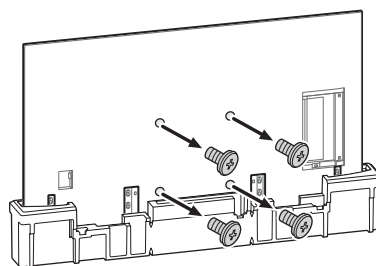
- Bảo đảm cất giữ các ốc vít đã tháo ra và các bộ phận không sử dụng ở nơi an toàn, xa tầm tay của trẻ em.



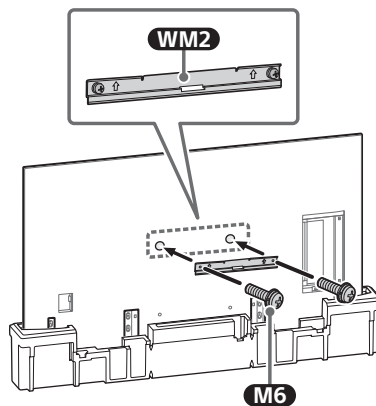
Lắp TV lên tường từ thùng carton*1

- *1 Chỉ dành cho một số khu vực/quốc gia/model.

- 1 Tháo vít khỏi mặt sau của TV.

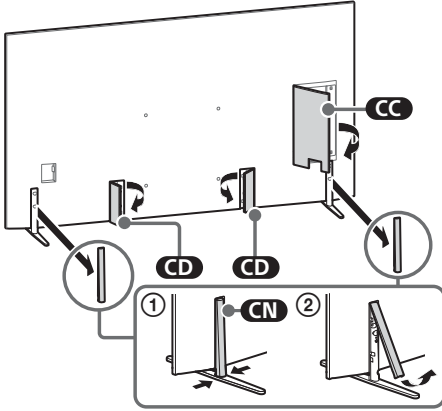


- 2 Gắn **WM2** vào TV bằng **M6**.

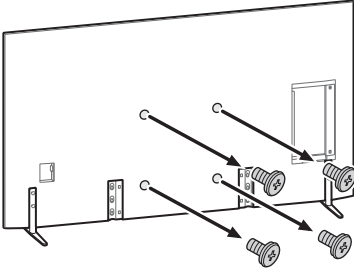


Lắp TV lên tường từ Bộ đế bàn

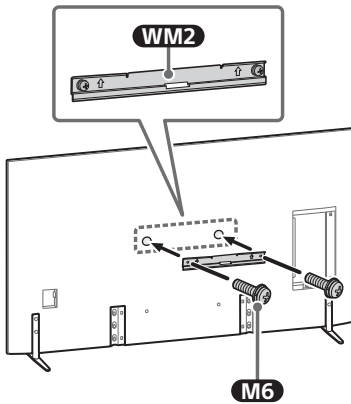
1 Tháo các nắp đậy đế và nắp đậy đầu cực.



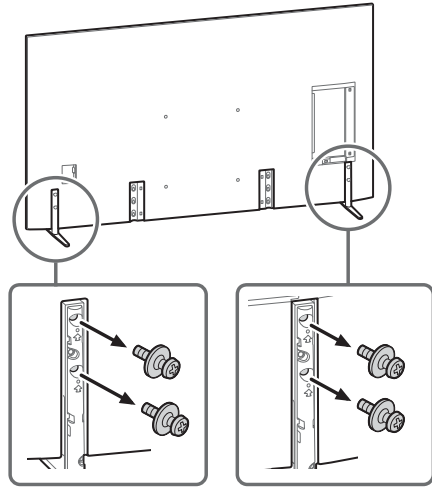
2 Tháo vít khỏi mặt sau của TV.



3 Gắn WM2 vào TV bằng M6.



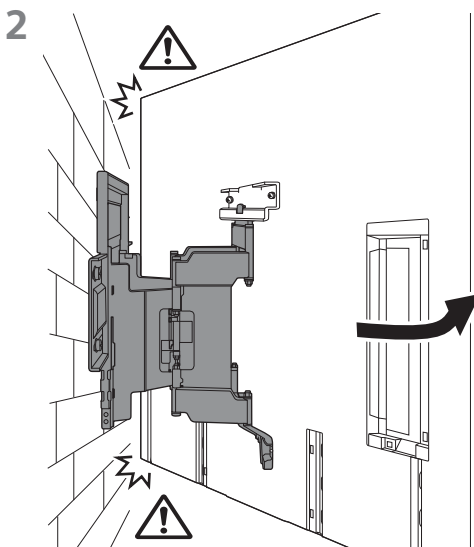
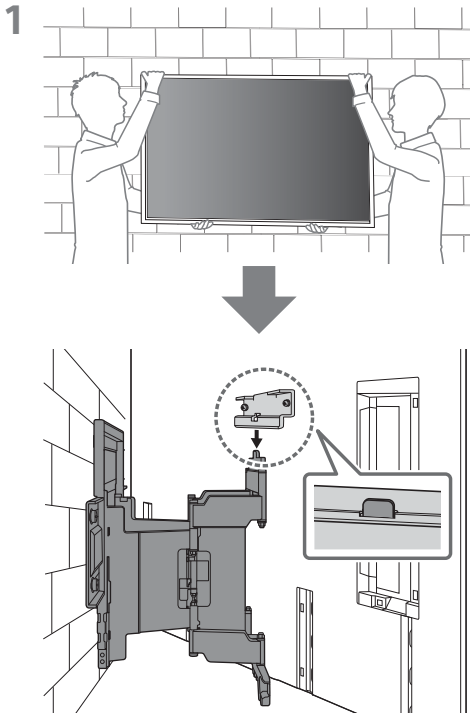
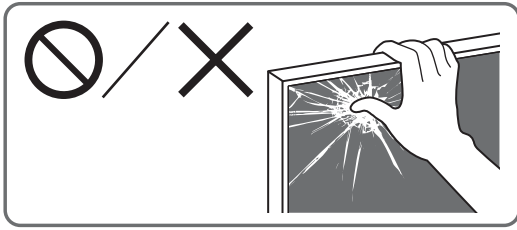
4 Tháo Bộ đế bàn ra khỏi TV.



Lưu ý

- Cần thận khi nâng TV vì trong quá trình tháo, Bộ đế bàn có thể bị lật và gây thương tích.
- Cần thận khi tháo Bộ đế bàn khỏi TV để không bị rơi và gây hư hỏng bề mặt đặt TV.

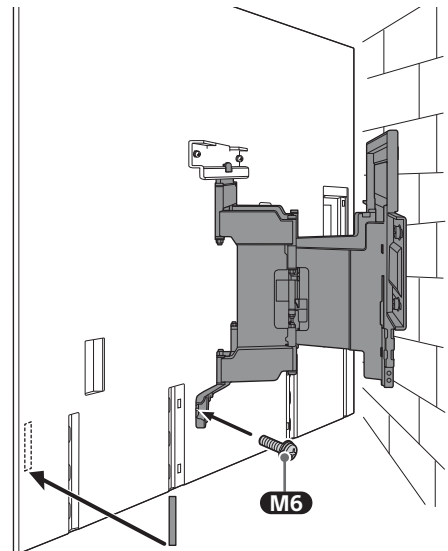
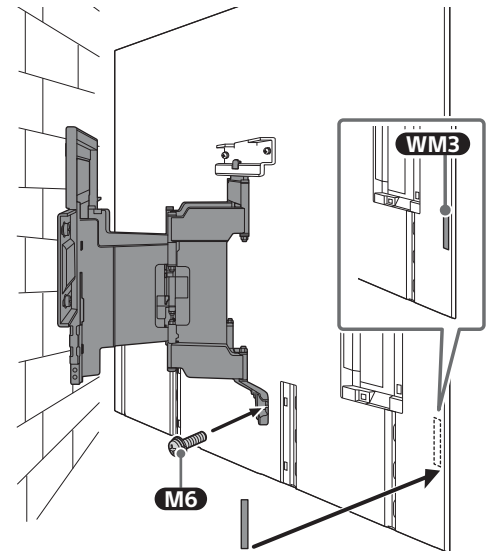
Lắp đặt TV lên tường



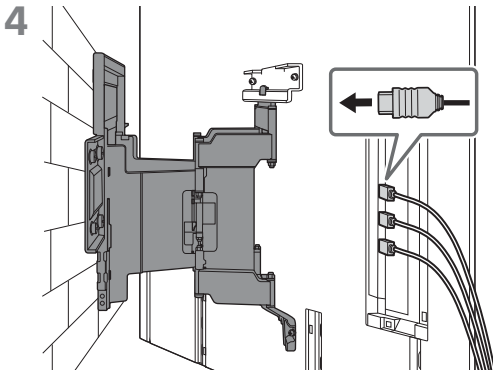
3 Siết vít vào phần bên trái và bên phải của Giá đỡ Treo tường bằng **M6** và gắn **WM3**.

Lưu ý

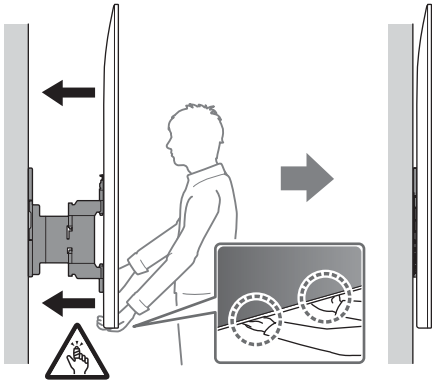
- Không gắn **WM3** trên nhãn.



VN

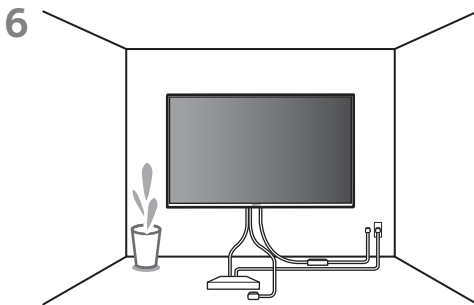


5 Khi di chuyển TV, giữ chắc dưới đáy.



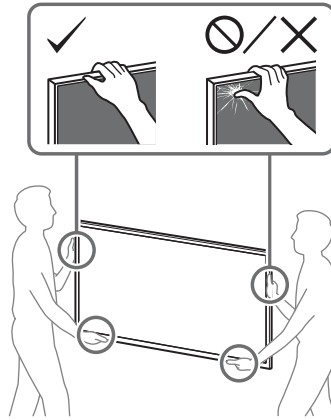
Lưu ý

- TV có thể không di chuyển đến gần tường tùy thuộc vào loại và số lượng cáp được gắn. Dây không phải là sự cố.



CẢNH BÁO

- Để di chuyển TV có kích thước lớn cần có ít nhất hai người (ít nhất ba người đối với TV từ 189,3 cm (75 inch) trở lên) (ngoại trừ Ai Cập).
Để di chuyển TV có kích thước lớn cần có ít nhất hai người (ít nhất ba người đối với TV từ 75 inch (189,3 cm) trở lên) (chỉ áp dụng với Ai Cập).



Xác nhận hoàn thành việc lắp đặt

Kiểm tra các điểm sau.

- Dây và cáp không bị vặn xoắn hoặc bó kẹt.

CẢNH BÁO

- Việc đặt dây nguồn, v.v. không phù hợp có thể gây cháy hoặc điện giật do chập điện. Đảm bảo xác nhận hoàn thành việc lắp đặt một cách an toàn.

Thông tin khác

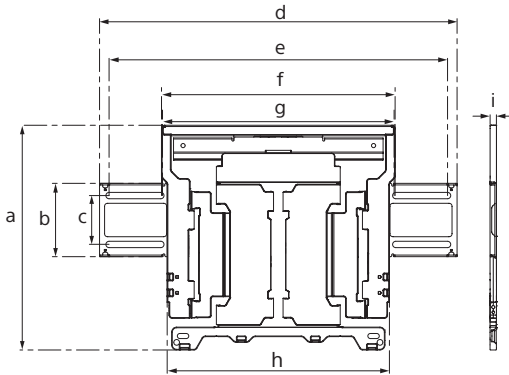
Khi tháo TV, hãy đảo ngược quy trình lắp đặt trước đó.

CẢNH BÁO

- Để di chuyển TV có kích thước lớn cần có ít nhất hai người (ít nhất ba người đối với TV từ 189,3 cm (75 inch) trở lên) (ngoại trừ Ai Cập).
Để di chuyển TV có kích thước lớn cần có ít nhất hai người (ít nhất ba người đối với TV từ 75 inch (189,3 cm) trở lên) (chỉ áp dụng với Ai Cập).

Thông số kỹ thuật

WM1



Kích thước: (Xấp xỉ) [mm]

a : 354

b : 116

c : 77

d : 563

e : 533

f : 370

g : 368

h : 350

i : 11

Trọng lượng (chỉ chân đế): (Xấp xỉ) [kg]

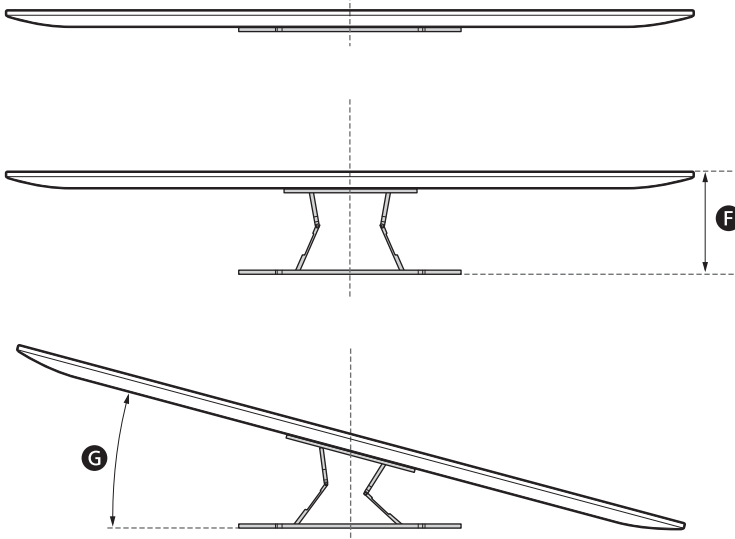
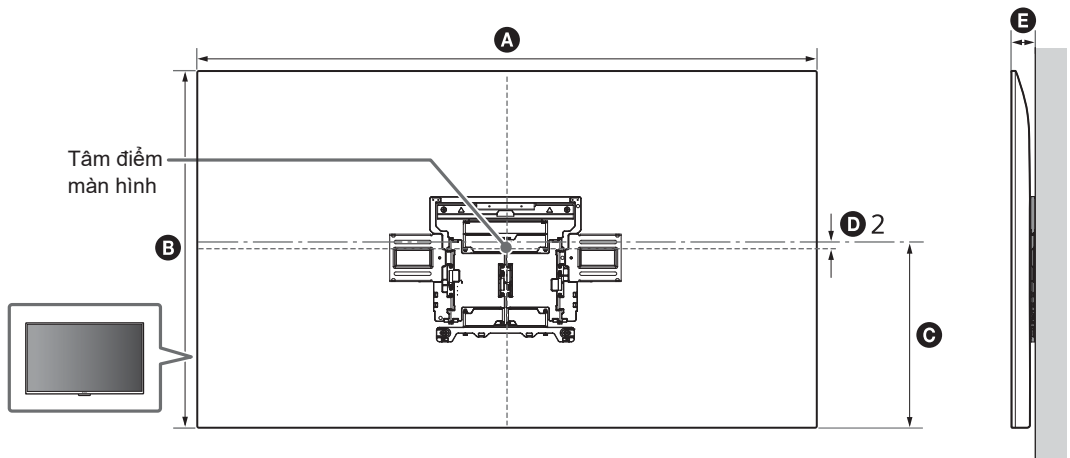
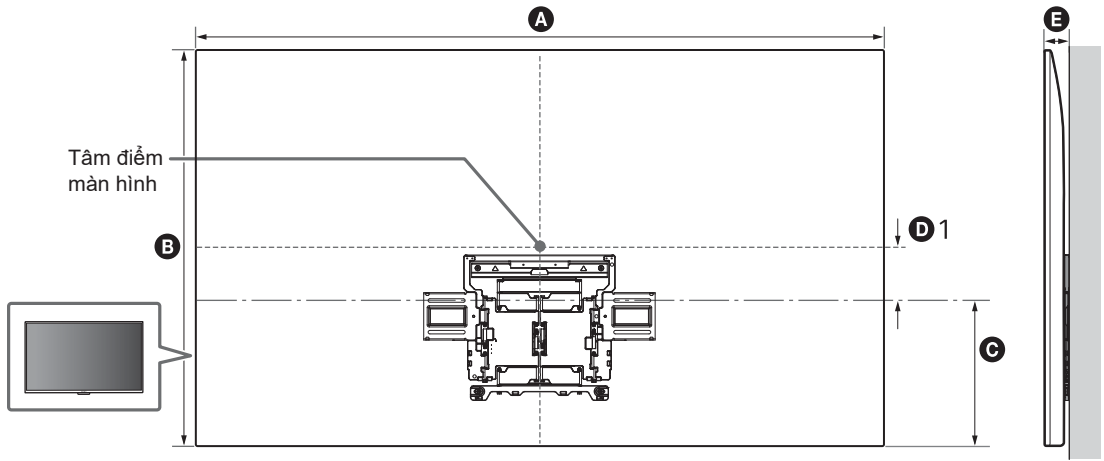
3,0

Thiết kế và thông số kỹ thuật có thể thay đổi mà không cần thông báo.

Tài liệu tham khảo

Đo để lắp đặt Giá đỡ Treo tường trên tường

Các con số trong bảng có thể hơi khác tùy vào quá trình lắp đặt.



(mm)

Tên sản phẩm	A	B	C	D 1	D 2	E	F ^{*1}	G ^{*1} (°)
K-77XR8x	1 713	984	362	139	–	48	251,4	12
K-65XR8x	1 442	829	362	57	–	48	250,8	17
K-55XR8x	1 223	706	362	–	3	48	250,8	19

*1 (Xấp xỉ)

ข้อมูลการติดตั้งเมื่อใช้อุปกรณ์ยึดติดผนังของ Sony (SU-WL850)

รุ่นที่รองรับ*1:

*1 เมื่อดูรุ่นตามจริง "x"/"xx" จะแสดงหมายเลขและ/หรืออักษรเฉพาะของแต่ละรุ่น

K-77XR8x / 65XR8x / 55XR8x

สำหรับลูกค้า

เพื่อเหตุผลทางการป้องกันผลิตภัณฑ์และความปลอดภัย Sony แนะนำให้ดำเนินการติดตั้งทีวีของท่านโดยตัวแทนจำหน่ายของ Sony หรือผู้รับเหมาที่ได้รับการอนุญาต อย่าพยายามติดตั้งด้วยตัวท่านเอง

สำหรับตัวแทนจำหน่าย Sony และผู้รับติดตั้ง

ใส่ใจระมัดระวังเรื่องความปลอดภัยเป็นพิเศษระหว่างทำการติดตั้งดูแลรักษาและตรวจสอบผลิตภัณฑ์นี้ตามระยะเวลา

การติดตั้งผลิตภัณฑ์นี้จำเป็นต้องมีความเชี่ยวชาญที่เพียงพอ โดยเฉพาะกับการพิจารณาความแข็งแรงของผนังที่จะรองรับน้ำหนักของทีวี ควรให้ตัวแทนจำหน่ายหรือผู้ติดตั้งที่ได้รับอนุญาตจาก Sony ให้เป็นผู้ติดตั้งผลิตภัณฑ์นี้เข้ากับผนัง และใส่ใจในความปลอดภัยระหว่างการติดตั้งอย่างเพียงพอ Sony จะไม่รับผิดชอบต่อความเสียหายหรือการบาดเจ็บที่เกิดขึ้นจากการทำงานผิดพลาดหรือการติดตั้งที่ไม่เหมาะสม

ปฏิบัติตามคู่มือของอุปกรณ์ยึดติดผนัง คู่มือการตั้งค่าของทีวี และคำแนะนำในคู่มือนี้เพื่อให้เกิดความปลอดภัยและติดตั้งได้ถูกต้อง

อุปกรณ์ยึดติดผนัง

ว่าด้วยความปลอดภัย

ขอบคุณที่อุทธรณ์ผลิตภัณฑ์ของเรา

สำหรับลูกค้ำ

การติดตั้งที่รับผนัง



คำเตือน

การติดตั้งต้องดำเนินการโดยช่างผู้ชำนาญเท่านั้น

ผลิตภัณฑ์นี้ควรได้รับการติดตั้งโดยช่างติดตั้งมืออาชีพที่ผ่านการฝึกอบรมกำหนดความแข็งแรงของผนังว่าจะสามารถรับน้ำหนักของทีวีได้ หากยึดไว้อย่างไม่เหมาะสมระหว่างการติดตั้ง ทีวีอาจหล่นลงมาและทำให้เกิดการบาดเจ็บสาหัสได้ Sony ไม่รับผิดชอบต่อความเสียหายหรืออาการบาดเจ็บใดๆ ที่มีสาเหตุจากการใช้งานไม่ถูกต้อง การติดตั้งไม่ถูกต้อง หรือการติดตั้งกับผลิตภัณฑ์อื่น ๆ นอกเหนือจากที่ระบุไว้ โดยไม่กระทบต่อสิทธิทางกฎหมายใดๆ (ถ้ามี)

สำหรับตัวแทนจำหน่าย

Sony

การติดตั้งผลิตภัณฑ์ต้องอาศัยความชำนาญเป็นพิเศษ โปรดศึกษาคู่มือการใช้งานฉบับนี่ยอย่างละเอียดเพื่อทำการติดตั้งผลิตภัณฑ์ได้อย่างปลอดภัย Sony ไม่รับผิดชอบต่อความเสียหายหรือการบาดเจ็บใดๆ อันเกิดจากการใช้งานหรือการติดตั้งที่ไม่ถูกต้อง โปรดมอบหนังสือคู่มือวิธีใช้ให้แก่ลูกค้าภายหลังการติดตั้ง

คู่มือการใช้งานฉบับนี้แสดงวิธีการใช้งานผลิตภัณฑ์อย่างถูกต้องรวมทั้งข้อปฏิบัติที่สำคัญที่จำเป็นเพื่อป้องกันไม่ให้เกิดอุบัติเหตุ ท่านควรอ่านและทำความเข้าใจคู่มืออย่างถี่ถ้วน พร้อมทั้งปฏิบัติตามคำแนะนำต่างๆ ข้อในคู่มือการใช้งานเล่มนี้ การละเลยไม่ปฏิบัติตามอาจส่งผลให้เกิดการบาดเจ็บสาหัสหรือทรัพย์สินเสียหาย และอาจทำให้การรับประกันเป็นโมฆะได้ พร้อมทั้งเก็บหนังสือคู่มือฉบับนี้ไว้ใช้อ้างอิงในอนาคต

ผลิตภัณฑ์ของ Sony ได้รับการออกแบบโดยคำนึงถึงความปลอดภัย อย่างไรก็ตามในกรณีนี้ที่ใช้งานผลิตภัณฑ์อย่างไม่ถูกต้อง อาจทำให้เกิดการบาดเจ็บสาหัสจากไฟไหม้ ไฟดูด ผลิตภัณฑ์ล้มใส่ หรือผลิตภัณฑ์ตกกระแทกพื้น โปรดศึกษาข้อปฏิบัติเพื่อความปลอดภัยเพื่อป้องกันอุบัติเหตุตามที่ระบุข้างต้น

ข้อควรระวัง

ผลิตภัณฑ์ที่กำหนด

อุปกรณ์ยึดติดผนังได้รับการออกแบบมาเพื่อใช้งานกับผลิตภัณฑ์ทีวีที่ระบุไว้ สำหรับทีวี โปรดดูคู่มืออ้างอิงเพื่อให้แน่ใจว่าสามารถใช้อุปกรณ์ยึดติดผนังได้



สำหรับลูกค้ำ

คำเตือน

หากไม่ปฏิบัติตามข้อควรระวังต่อไปนี้ อาจทำให้เกิดการบาดเจ็บสาหัสหรือเสียชีวิตจากเพลิงไหม้ ไฟฟ้าช็อต หรืออุปกรณ์ตกหล่นได้

โปรดแน่ใจว่าได้ติดต่อตัวแทนที่ได้รับการรับรองเพื่อทำการติดตั้งและระมัดระวังอย่าให้เด็กเล็ก ๆ อยู่ใกล้ขณะติดตั้ง

- หากท่านติดตั้งอุปกรณ์ยึดติดผนังหรือทีวีไม่ถูกต้อง อุบัติเหตุต่อไปนี้อาจเกิดขึ้นได้ และต้องแน่ใจว่าได้ให้ตัวแทนที่ได้รับการรับรองเท่านั้นเป็นผู้ทำการติดตั้ง
- ทีวีอาจตกหล่นและทำให้ได้รับบาดเจ็บสาหัส เช่น รอยฟกช้ำหรือกระดูกหักได้
- หากผนังที่จะทำการติดตั้งอุปกรณ์ยึดติดผนังไม่มั่นคง ไม่เรียบหรือไม่อยู่ในแนวตั้งฉากกับพื้น อาจทำให้เครื่องหล่นลงและเกิดการบาดเจ็บหรือทรัพย์สินเสียหายได้ ผนังต้องสามารถรองรับน้ำหนักได้ไม่น้อยกว่า 6 เท่าของน้ำหนักทีวี (ดูน้ำหนักของทีวีได้จากคู่มืออ้างอิงของทีวี)
- หากติดตั้งอุปกรณ์ยึดติดผนังลงบนผนังอย่างไม่น่าเชื่อถือ อาจทำให้เครื่องหล่นลงและเกิดการบาดเจ็บหรือทรัพย์สินเสียหายได้

โปรดแน่ใจว่าได้ติดต่อตัวแทนที่ได้รับการรับรองเพื่อทำการเคลื่อนย้ายหรือถอดทีวี

หากบุคคลอื่นที่ไม่ใช่ตัวแทนที่ได้รับการรับรองเป็นผู้ทำการเคลื่อนย้ายหรือถอดทีวี อาจทำให้เครื่องหล่นลงและเกิดการบาดเจ็บหรือทรัพย์สินเสียหายได้ ต้องใช้คนจำนวนสองคนหรือมากกว่า (สามคนหรือมากกว่าสำหรับทีวีรุ่น 189.3 ซม. (75 นิ้ว) ขึ้นไป) สำหรับการเคลื่อนย้ายชุดทีวีขนาดใหญ่ (ยกเว้นฮิปปัด) ต้องใช้คนจำนวนสองคนหรือมากกว่า (สามคนหรือมากกว่าสำหรับทีวีรุ่น 75 นิ้ว (189.3 ซม.) ขึ้นไป) สำหรับการเคลื่อนย้ายชุดทีวีขนาดใหญ่ (ฮิปปัดเท่านั้น)

อย่าถอดสกรูหรือชิ้นส่วนอื่นๆ หลังจากติดตั้งเข้ากับทีวีแล้ว

การกระทำเช่นนั้นอาจทำให้ทีวีหล่นและทำให้เกิดการบาดเจ็บหรือทรัพย์สินเสียหายได้

อย่าตัดแปลงชิ้นส่วนต่างๆ ของ อุปกรณ์ยึดติดผนัง

การกระทำเช่นนั้นอาจทำให้อุปกรณ์ยึดติดผนังหล่นและทำให้เกิดการบาดเจ็บหรือทรัพย์สินเสียหายได้

ห้ามติดตั้งอุปกรณ์อื่นนอกเหนือ จากผลิตภัณฑ์ที่ระบุไว้

อุปกรณ์ยึดติดผนังถูกออกแบบมาเพื่อใช้กับผลิตภัณฑ์ที่ระบุไว้เท่านั้น หากท่านติดตั้งอุปกรณ์อื่นนอกเหนือจากที่ระบุไว้ อุปกรณ์นั้นอาจหล่นลงหรือแตกชำรุด ทำให้เกิดการบาดเจ็บหรือทรัพย์สินเสียหายได้

อย่าเพิ่มน้ำหนักอื่นๆ นอกเหนือ จากที่วิลงบนอุปกรณ์ยึดติดผนัง

ห้ามเขยื้อนทีวีไปทางซ้าย/ขวา, เขยื้อน/ลง

การกระทำเช่นนั้นอาจทำให้ทีวีหล่นและทำให้เกิดการบาดเจ็บหรือทรัพย์สินเสียหายได้

อย่าดึงหรือโหนทีวี

อย่าดึงหรือโหนทีวี เพราะอาจทำให้ทีวีหล่นใส่ตัวท่านและเกิดการบาดเจ็บรุนแรงได้

ข้อควรระวัง

หากไม่ปฏิบัติตามข้อควรระวังต่อไปนี้ อาจทำให้เกิดการบาดเจ็บหรือทรัพย์สินเสียหายได้

- ระวังอย่าให้นิ้วถูกหนีบขณะใช้งานอุปกรณ์ยึดติดผนังหรือขณะหมุนทีวี
- ขณะที่หมุนทีวีโปรดดำเนินการอย่างระมัดระวัง และระวังทีวีไปกระทบกับผู้คนที่อยู่ใกล้เคียง
- โปรดเก็บชิ้นส่วนที่ไม่ได้ใช้ไว้ในที่ปลอดภัยเพื่อใช้ในอนาคต เก็บให้พ้นมือเด็ก

อย่าใช้แรงกดลงบนผลิตภัณฑ์มากเกินไป ขณะทำความสะอาดหรือดูแลรักษาผลิตภัณฑ์

อย่าใช้แรงกดลงที่ด้านบนของทีวีมากเกินไป การกระทำเช่นนั้นอาจทำให้ทีวีหล่นและทำให้เกิดการบาดเจ็บหรือทรัพย์สินเสียหายได้

TH

ห้ามวางผลิตภัณฑ์นี้ใกล้กับอุปกรณ์ทางการแพทย์

ผลิตภัณฑ์นี้ (รวมถึงอุปกรณ์เสริม) มีแม่เหล็กซึ่งอาจรบกวนเครื่องกระตุ้นไฟฟ้าหัวใจ วาสำหรับบายพาสการไหลของเลือดซึ่งต้องปรับแรงดันได้สำหรับการรักษาภาวะไหลเวียนของเลือด หรืออุปกรณ์ทางการแพทย์อื่น ๆ ห้ามวางผลิตภัณฑ์นี้ใกล้กับผู้ใช้อุปกรณ์ทางการแพทย์ดังกล่าว ปกติแพทย์ก่อนใช้งานผลิตภัณฑ์นี้หากผู้ใช้อุปกรณ์ทางการแพทย์ดังกล่าว

เก็บอุปกรณ์ให้พ้นจากมือของเด็กหรือบุคคลที่อยู่ภายใต้การดูแล

ผลิตภัณฑ์นี้ (รวมถึงอุปกรณ์เสริม) มีแม่เหล็ก การกลืนแม่เหล็กลงคออาจก่อให้เกิดอันตรายร้ายแรง เช่น อันตรายจากการสำลัก หรือการบาดเจ็บในลำไส้ หากกลืนแม่เหล็กลงคอ ให้รีบไปพบแพทย์ทันที

ข้อควรระวัง

- หากทำนั้ใช้ทีวีที่ติดตั้งอยู่กับอุปกรณ์ยึดติดผนังต่อเนื่องกันเป็นเวลานาน ส่วนผนังด้านหลังหรือด้านหลังของทีวีอาจมีสีเปลี่ยนไป หรืออาจเปลี่ยนสีในบริเวณดังกล่าวอาจหลุดออก ขึ้นอยู่กับวัสดุของผนังในบริเวณ ดังกล่าว
- หากทำนั้ถอดอุปกรณ์ยึดติดผนังออกหลังจากที่ได้ทำการติดตั้งไปแล้วบนผนัง จะปรากฏร่องของสกรูเหลืออยู่บนผนัง
- อย่าใช้งานอุปกรณ์ยึดติดผนังในบริเวณที่ได้รับแรงสั่นสะเทือน

วิธีติดตั้งอุปกรณ์ยึดติดผนัง

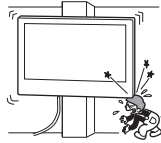
สำหรับตัวแทนจำหน่าย
Sony

คำเตือน

ต่อไปนี้เป็นคำแนะนำสำหรับตัวแทนจำหน่าย Sony เท่านั้น โปรดทำความเข้าใจกับข้อปฏิบัติด้านความปลอดภัยข้างต้นและคำนึงถึงเรื่องความปลอดภัย เป็นพิเศษระหว่างทำการติดตั้งบำรุงรักษาและตรวจสอบผลิตภัณฑ์

อย่าติดตั้งอุปกรณ์ยึดติดผนังบนบริเวณผนังที่ทำให้ส่วนมุมหรือด้านข้างของทีวียื่นออกมาจากส่วนระนาบของผนัง

อย่าติดตั้งอุปกรณ์ยึดติดผนังบนบริเวณผนัง อย่างเช่นเสา ซึ่งส่วนมุมหรือด้านข้างของทีวีจะยื่นออกมาจากส่วนระนาบของผนัง เพราะหากมีบุคคลหรือวัตถุใดชนเข้ากับส่วนมุมหรือด้านข้างของทีวีที่ยื่นออกมาดังกล่าว อาจทำให้เกิดการบาดเจ็บหรือทรัพย์สินเสียหายได้

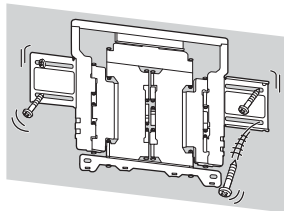


อย่าติดตั้งทีวีไว้เหนือหรือใต้เครื่องปรับอากาศ

หากทีวีโดนน้ำที่รั่วออกมาหรือโดนกระแสอากาศจากเครื่องปรับอากาศต่อเนื่องเป็นเวลานาน อาจทำให้เกิดไฟไหม้ ไฟฟ้าลัดวงจร หรือทำให้ทีวีเสียหายได้

โปรดตรวจสอบให้แน่ใจว่าได้ติดตั้งอุปกรณ์ยึดติดผนังเข้ากับผนังให้แน่นตามคำแนะนำในคู่มือการใช้งานฉบับนี้

หากมีสกรูตำแหน่งใดหลวมหรือหลุดออกอุปกรณ์ยึดติดผนังอาจหล่นลง ทำให้เกิดการบาดเจ็บหรือทรัพย์สินเสียหายได้ ต้องแน่ใจว่าใช้สกรูที่เหมาะสมกับวัสดุของผนัง และติดตั้งตัวเครื่องอย่างแน่นหนาโดยใช้สกรูขนาดเส้นผ่านศูนย์กลาง 8 มม. (หรือเทียบเท่า) จำนวนสี่ตัว



โปรดตรวจสอบให้แน่ใจว่าได้ใช้สกรูที่เหมาะสมและทำการติดตั้งชิ้นส่วนต่างๆอย่างถูกต้องตามคำแนะนำที่ระบุไว้ในคู่มือการใช้งานฉบับนี้ หากทำนั้ใช้อุปกรณ์อื่นทดแทน ที่รีวอจ หล่นและทำให้เกิดการบาดเจ็บแก่ร่างกายหรือทีวีเสียหายได้

โปรดตรวจสอบให้แน่ใจว่าได้ประกอบอุปกรณ์ยึดติดผนังอย่างถูกต้องตามลำดับขั้นตอนที่อธิบายไว้ในคู่มือการใช้งานฉบับนี้

หากมีสกรูตำแหน่งใดหลวมหรือหลุดออก ที่รีวอจ หล่นลง และทำให้เกิดการบาดเจ็บแก่ร่างกายหรือทีวีเสียหายได้

โปรดแน่ใจว่าได้ขันสกรูให้แน่นในตำแหน่งที่กำหนด

หากไม่ได้ดำเนินการข้างต้น อาจเป็นเหตุให้ทีวีหล่นลง ทำให้เกิดการบาดเจ็บแก่ร่างกายหรือทีวีเสียหายได้

ระมัดระวังอย่าให้ทีวีโดนกระแทกหรือการติดตั้ง

หากทีวีโดนกระแทก หน้าจออาจหล่นหรือแตกเสียหาย และอาจทำให้เกิดการบาดเจ็บอีกด้วย

โปรดแน่ใจว่าได้ติดตั้งทีวีบนผนังที่เรียบและได้ฉากกับพื้น

หากไม่ได้ดำเนินการข้างต้น อาจเป็นสาเหตุให้ทีวีหล่นลง และทำให้เกิดการบาดเจ็บ

หลังจากติดตั้งทีวีอย่างถูกต้องแล้ว ให้เก็บสายเคเบิลให้ถูกต้อง

หากบุคคลหรือวัตถุใด ๆ สะดุดโดนสายเคเบิล อาจทำให้เกิดการบาดเจ็บหรือเกิดความเสียหายกับทีวีได้

อย่าให้สายไฟ AC หรือสายเคเบิลสำหรับการเชื่อมต่อถูกหนีบ

หากสายไฟ AC หรือสายเคเบิลสำหรับการเชื่อมต่อถูกหนีบอยู่ระหว่างเครื่องกับผนัง หรือสายพับหรือบิดอย่างรุนแรง ฉนวนภายในสายอาจหลุดออกมาและเกิดไฟฟ้าลัดวงจรหรือไฟรั่ว ซึ่งเป็นสาเหตุให้เกิดไฟไหม้หรือไฟดูดได้



สกรูสำหรับยึดอุปกรณ์ยึดติดผนังเข้ากับผนังไม่ได้รวมอยู่ในชุดอุปกรณ์

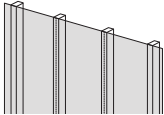
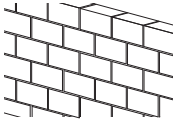
เลือกใช้สกรูที่เหมาะสมกับวัสดุและโครงสร้างของผนัง เมื่อทำการติดตั้งอุปกรณ์ยึดติดผนัง

ก่อนเริ่มดำเนินการ

- ภาพประกอบของทีวีที่แสดงในคู่มือฉบับนี้เป็นเพียงตัวอย่างที่ใช้เพื่อให้คำอธิบายที่ชัดเจนเกี่ยวกับการใช้งาน ภาพประกอบอาจแตกต่างจากทีวีจริงของคุณ

ผนังของท่านทำจากอะไร

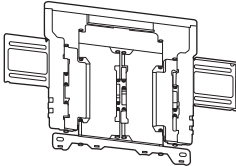



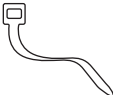
อันดับแรกให้ตรวจสอบประเภทของผนังที่จะติดตั้งทีวี

<p>ผนังยิปซัมที่มีแกนยึด</p>  <p>ข้อควรระวัง</p> <ul style="list-style-type: none">• ความหนาสูงสุดของผนังยิปซัม: 16 มม.• ตรวจสอบให้แน่ใจว่าแกนยึดไม้ด้านในมีขนาดอย่างน้อย 51 มม. × 102 มม. สำหรับขนาดทั่วไป หรือ 38 มม. × 89 มม. สำหรับขนาดเต็ม• เว้นระยะห่างในแนวนอนอย่างน้อย 406 มม. ระหว่างตัวยึดแต่ละตัว	<p>ผนังคอนกรีตหรืออิฐบล็อก</p>  <p>ข้อควรระวัง</p> <ul style="list-style-type: none">• ติดตั้งอุปกรณ์ยึดติดผนังลงบนผนังคอนกรีตโดยตรง• ตรวจสอบให้แน่ใจว่าผนังคอนกรีตมีความหนาอย่างน้อย 203 มม.• ตรวจสอบให้แน่ใจว่าอิฐบล็อกแต่ละก้อนมีขนาดอย่างน้อย 203 มม. × 203 มม. × 406 มม.
---	---

ตรวจสอบชิ้นส่วน

ชิ้นส่วนประกอบให้มาพร้อมกับ SU-WL850



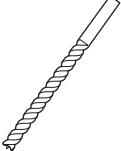
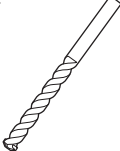
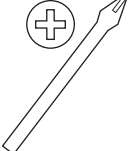
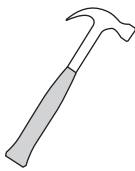
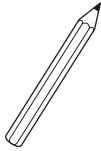
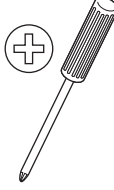
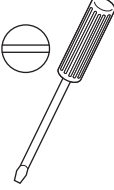




- ตรวจสอบว่าได้รับชิ้นส่วนครบทั้งหมด

<p>WM1 (x1)</p> 	<p>WM2 (x1)</p> 	<p>WM3 (x4)</p> 
<p>M6 (x4)</p> 	<p>WT1 (x6)</p> 	

TH

เตรียมพร้อมสำหรับการติดตั้ง

- ควรเตรียมคู่มืออ้างอิงของทีวีและคู่มือการตั้งค่าให้พร้อมก่อนทำการติดตั้ง
- ตรวจสอบตำแหน่งติดตั้งของทีวีที่ท่าน
- เตรียมสกรูขนาดเส้นผ่านศูนย์กลาง 8 มม. จำนวนสี่ตัวพร้อมแหวนรองที่เหมาะสมจำนวนสี่ตัว (ไม่ได้ให้มา) เลือกสกรูที่เหมาะสมกับวัสดุของผนัง
- โปรดเตรียมเครื่องมือต่อไปนี้:

*1 		 5.5 มม.	 10 มม.	
*2 		 1.5 N·m {15 kgf·cm}	*3  1.5 N·m {15 kgf·cm}	
	*2  (×4)	*4  (×4) 8 มม. × 60 มม.	*4  (×4)	

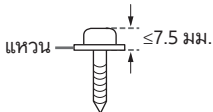
*1 สำหรับผนังยิปซัมที่มีแกนยึดเท่านั้น



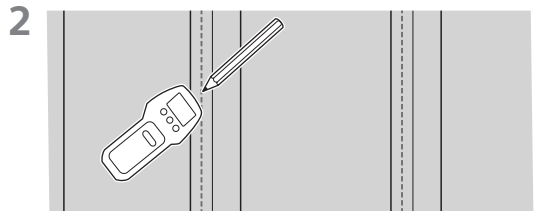
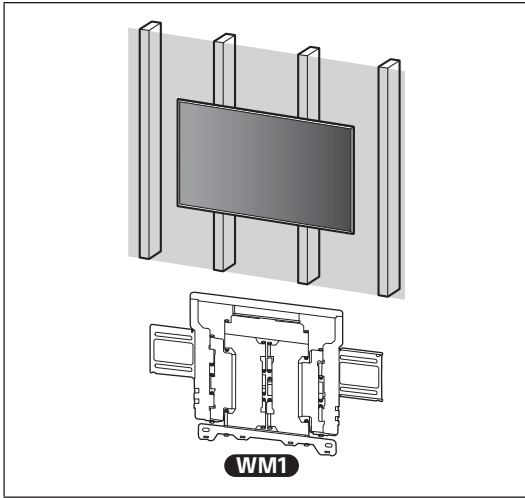
*2 สำหรับผนังคอนกรีตหรืออิฐบล็อกเท่านั้น

*3 ขึ้นอยู่กับรุ่น

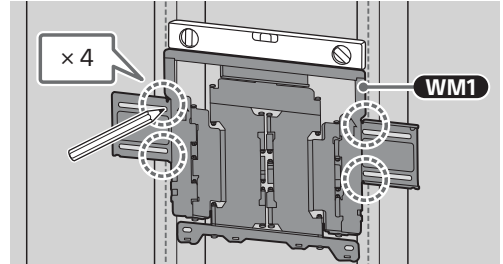
*4 โปรดใช้ความระมัดระวังเมื่อเลือกสกรูและแหวนรอง



A การติดตั้งอุปกรณ์ยึดติดผนังเข้ากับผนังยิปซั่มที่มีแกนยึด



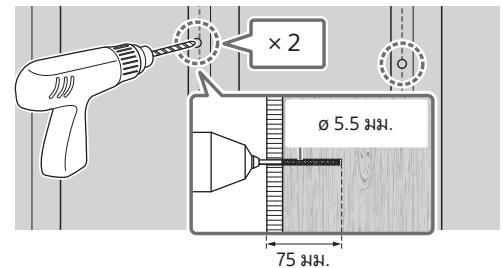
3 ทาบ WM1 ลงบนผนังและทำเครื่องหมายสี่จุดให้ตรงกับแกนยึด



หมายเหตุ

- ใช้เครื่องมือวัดระดับในการตรวจสอบว่า WM1 ได้ระดับหรือไม่

4 เจาะรูนำร่องด้านบนลงบนเครื่องหมาย ตรวจสอบให้แน่ใจว่าตำแหน่งบนผนังที่จะเจาะรูนั้นแข็งแรงพอที่จะรองรับน้ำหนักอย่างน้อยหกเท่าของทีวี



หมายเหตุ

- ต้องเจาะรูนำร่องให้มีความลึก 75 มม. โดยใช้ดอกสว่านขนาดเส้นผ่านศูนย์กลาง 5.5 มม.

การติดตั้งอุปกรณ์ยึดติดผนังเข้ากับผนัง

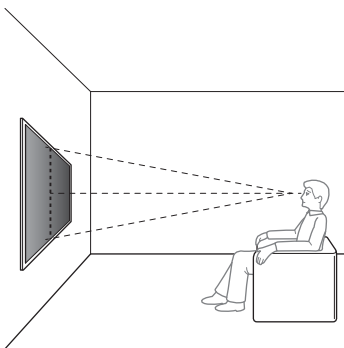
1 เลือกตำแหน่งสำหรับติดตั้ง

ตรวจสอบให้แน่ใจว่าผนังมีพื้นที่เพียงพอสำหรับทีวี และสามารถรับน้ำหนักได้อย่างน้อยหกเท่าของน้ำหนักทีวี

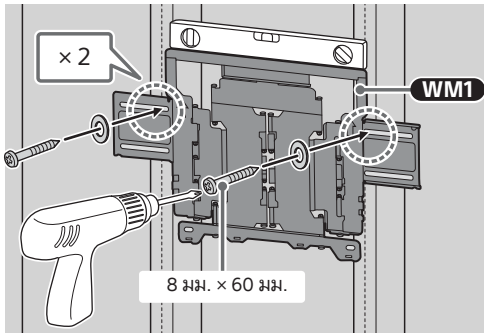
- โปรดดู “การวัดสำหรับการติดตั้งอุปกรณ์ยึดติดผนังเข้ากับผนัง” หน้า 18
- ดูน้ำหนักของทีวีได้จากคู่มืออ้างอิงของทีวี

หมายเหตุ

- เมื่อติดตั้งทีวีของท่านเข้ากับผนัง ด้านบนของทีวีจะเอียงมาข้างหน้าเล็กน้อย
- เราขอแนะนำให้ท่านตรวจสอบตำแหน่งของทีวีในสภาพแวดล้อมที่รับชม



5 ติดตั้ง WM1 บนผนังโดยใช้สกรู (ไม่ได้ให้มา) และแหวนรอง (ไม่ได้ให้มา) ที่เหมาะสม



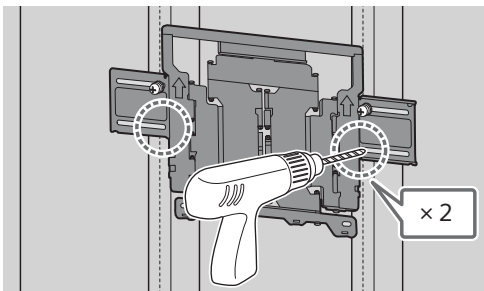
หมายเหตุ

- ใช้เครื่องมือวัดระดับในการตรวจสอบว่า WM1 ได้ระดับหรือไม่

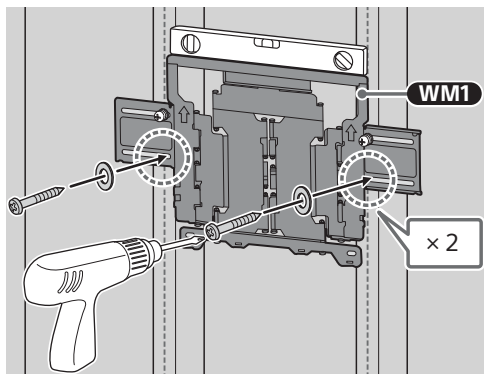
ข้อควรระวัง

- อย่าขันสกรูไม้ขนาด 8 มม. x 60 มม. แน่นเกินไป การขันแน่นอย่างไม่เหมาะสมอาจทำให้แรงยึดของสกรูไม้ขนาด 8 มม. x 60 มม. ลดลง

6 เจาะรูนำร่องด้านล่างลงบนเครื่องหมาย (โปรดอ้างอิงขั้นตอนที่ 4 สำหรับคำแนะนำในการเจาะรู)



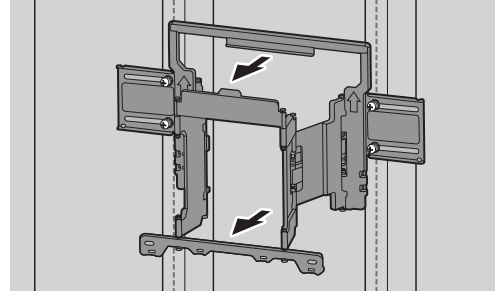
7 ติดตั้งสกรูและแหวนรองที่เหมาะสมลงในรู



หมายเหตุ

- ใช้เครื่องมือวัดระดับในการตรวจสอบว่า WM1 ได้ระดับหรือไม่

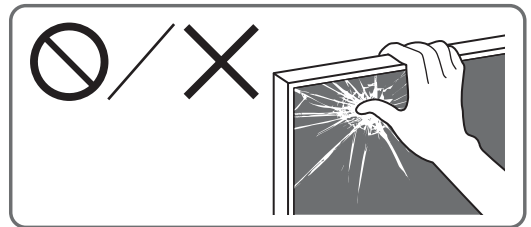
8 ดึงก้านของโครงยึดออกมาจนสุด



เตรียมพร้อมสำหรับการติดตั้งทีวี

หมายเหตุ

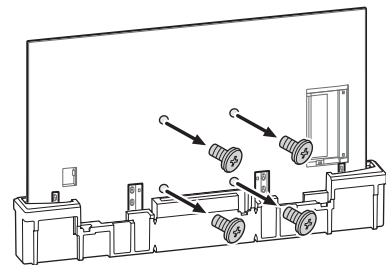
- ควรจัดเก็บสกรูที่ถอดออกมาและชิ้นส่วนที่ไม่ได้ใช้ในที่ปลอดภัย โดยจัดเก็บให้ห่างจากเด็ก



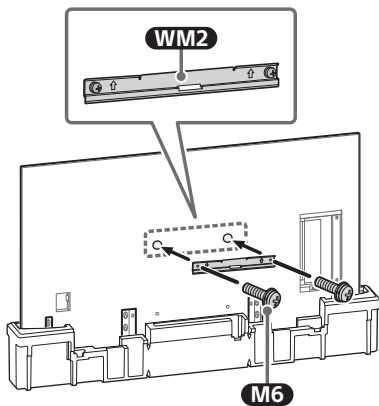
การติดตั้งทีวีบนผนังจากกล่อง*1

*1 สำหรับบางภูมิภาค/ประเทศ/รุ่นเท่านั้น

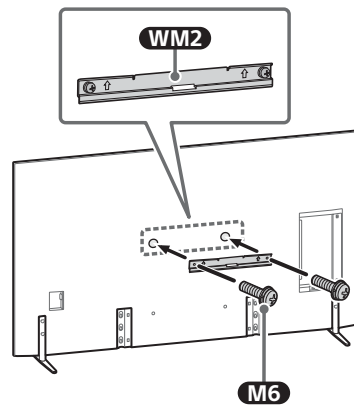
1 ถอดสกรูจากด้านหลังของทีวี



2 ยึด WM2 เข้ากับทีวีโดยใช้ M6

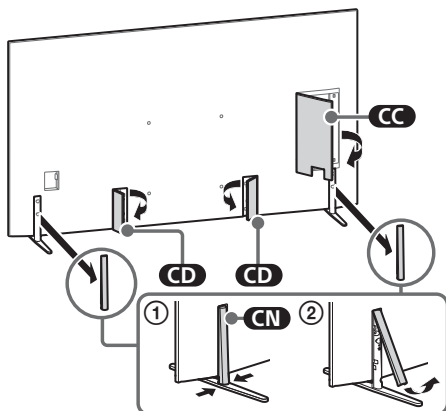


3 ยึด WM2 เข้ากับทีวีโดยใช้ M6

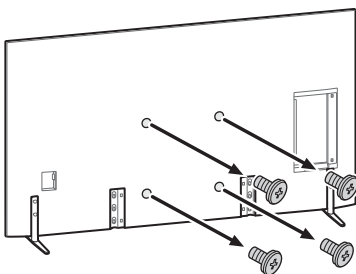


การติดตั้งทีวีบนผนังจากแป้นรองแบบตั้งโต๊ะ

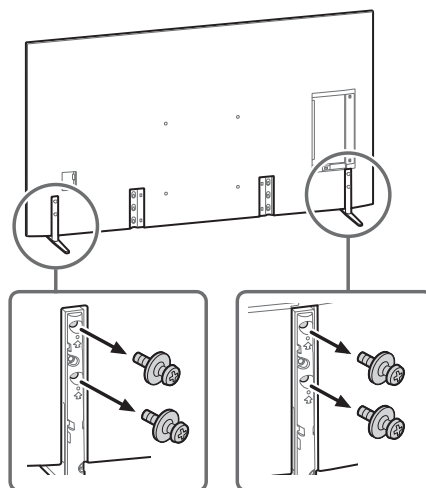
1 ถอดฝาครอบแป้นรอง และฝาครอบขั้วต่อ



2 ถอดสกรูจากด้านหลังของทีวี



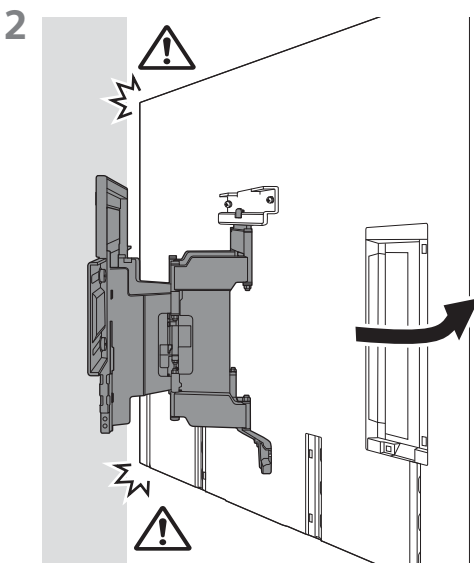
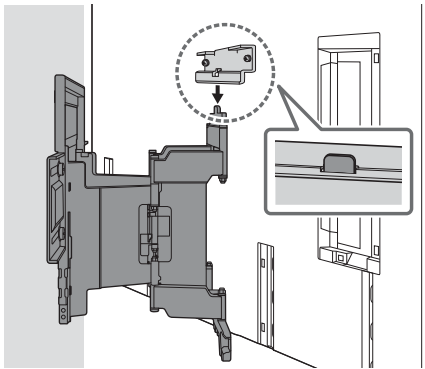
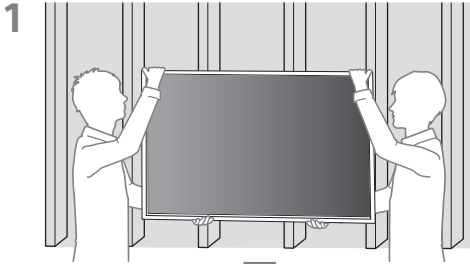
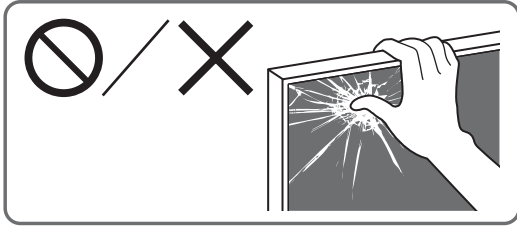
4 ถอดแป้นรองแบบตั้งโต๊ะออกจากทีวี



หมายเหตุ

- โปรดระมัดระวังขณะยกทีวี เนื่องจากขณะถอดแป้นรองแบบตั้งโต๊ะออก แป้นรองอาจตกและเป็นเหตุให้เกิดการบาดเจ็บได้
- โปรดถอดแป้นรองแบบตั้งโต๊ะออกจากทีวีอย่างระมัดระวัง เพื่อป้องกันมิให้เครื่องตกและทำให้พื้นผิวที่รองรับทีวีได้รับความเสียหาย

ติดตั้งทีวีบนผนัง

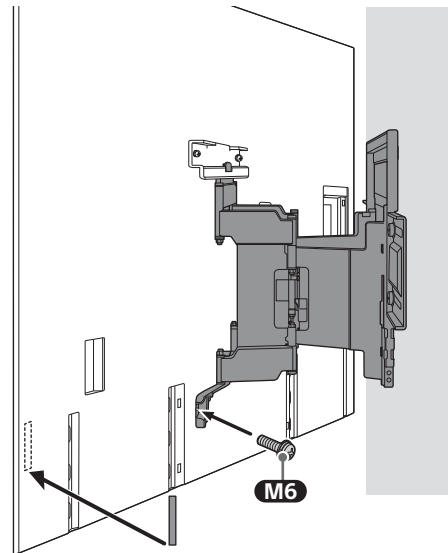
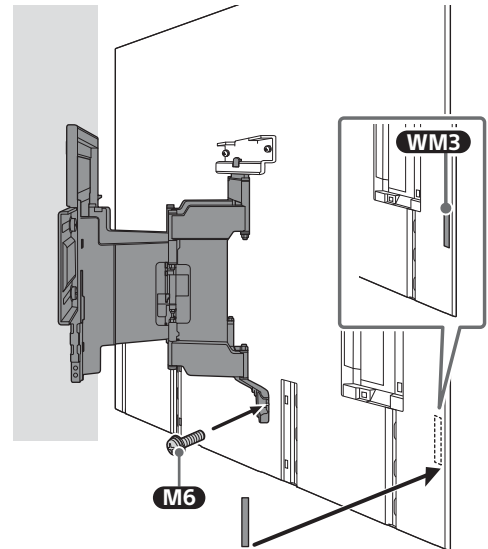


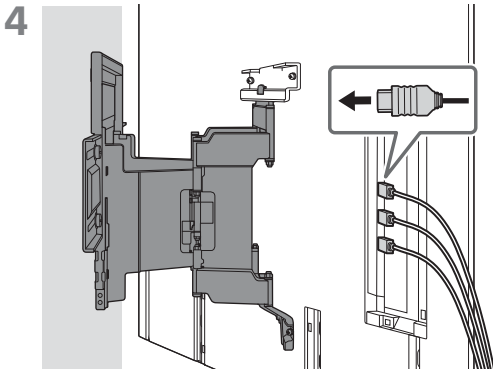
3 ชั้นสกรูที่ด้านหลังและขวาของอุปกรณ์ยึดติดผนังให้แน่นโดยใช้ M6 แล้วติด

WM3

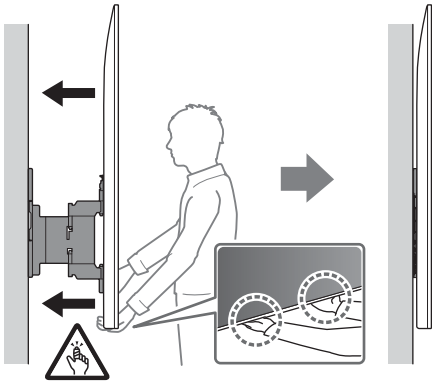
หมายเหตุ

- อย่าติด **WM3** บนฉลาก



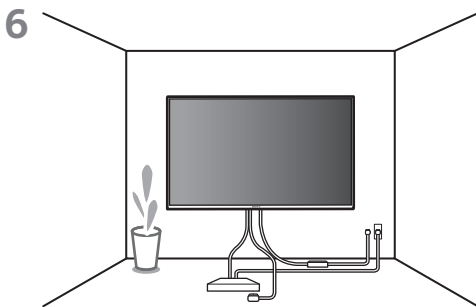


5 เมื่อเคลื่อนย้ายทีวีต้องจับให้มั่นคงจากด้านล่าง



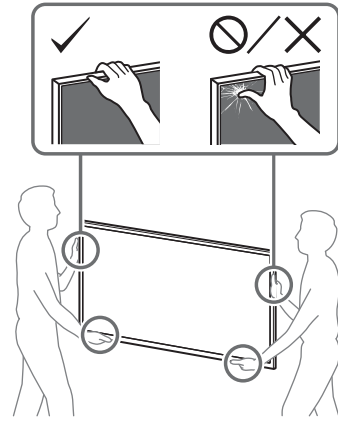
หมายเหตุ

- โทรทัศน์อาจไม่สามารถเคลื่อนเข้าใกล้กำแพงได้ ทั้งนี้ขึ้นอยู่กับชนิดและจำนวนของสายเคเบิลที่เชื่อมต่อ กรณีดังกล่าวไม่ถือเป็นเรื่องผิดปกติ



คำเตือน

- ต้องใช้คนจำนวนสองคนหรือมากกว่า (สามคนหรือมากกว่า สำหรับทีวีรุ่น 189.3 ซม. (75 นิ้ว) ขึ้นไป) สำหรับการเคลื่อนย้ายชุดทีวีขนาดใหญ่ (ยกเว้นอีลิปต์)
ต้องใช้คนจำนวนสองคนหรือมากกว่า (สามคนหรือมากกว่า สำหรับทีวีรุ่น 75 นิ้ว (189.3 ซม.) ขึ้นไป) สำหรับการเคลื่อนย้ายชุดทีวีขนาดใหญ่ (อีลิปต์เท่านั้น)



ตรวจสอบความเรียบร้อยสำหรับการติดตั้ง

ตรวจสอบหัวข้อต่อไปนี้

- สายไฟและสายเคเบิลไม่ถูกบิดหรือหนีบอยู่

คำเตือน

- หากวางตำแหน่งสายไฟ AC ฯลฯ ไม่ถูกต้อง อาจทำให้เกิดไฟไหม้หรือไฟฟ้าดูดจากการลัดวงจรได้ โปรดตรวจสอบว่าได้ทำการติดตั้งอย่างถูกต้องสมบูรณ์แล้ว

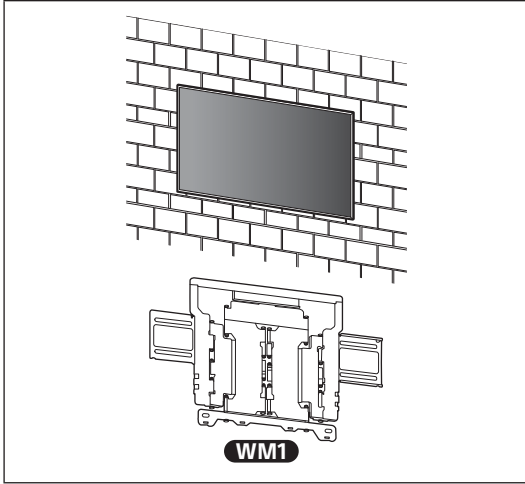
ข้อมูลอื่นๆ

เมื่อต้องการจะถอดทีวีให้ปฏิบัติตามขั้นตอนการติดตั้งข้างต้น

คำเตือน

- ต้องใช้คนจำนวนสองคนหรือมากกว่า (สามคนหรือมากกว่า สำหรับทีวีรุ่น 189.3 ซม. (75 นิ้ว) ขึ้นไป) สำหรับการเคลื่อนย้ายชุดทีวีขนาดใหญ่ (ยกเว้นอีลิปต์)
ต้องใช้คนจำนวนสองคนหรือมากกว่า (สามคนหรือมากกว่า สำหรับทีวีรุ่น 75 นิ้ว (189.3 ซม.) ขึ้นไป) สำหรับการเคลื่อนย้ายชุดทีวีขนาดใหญ่ (อีลิปต์เท่านั้น)

B ยึดอุปกรณ์ยึดติดผนังเข้ากับผนังคอนกรีตหรืออิฐบล็อก



การติดตั้งอุปกรณ์ยึดติดผนังเข้ากับผนัง

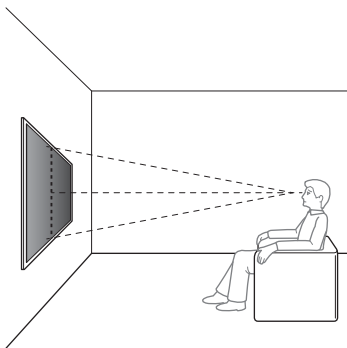
1 เลือกตำแหน่งสำหรับติดตั้ง

ตรวจสอบให้แน่ใจว่าผนังมีพื้นที่เพียงพอสำหรับทีวี และสามารถรับน้ำหนักได้อย่างน้อยหกเท่าของน้ำหนักทีวี

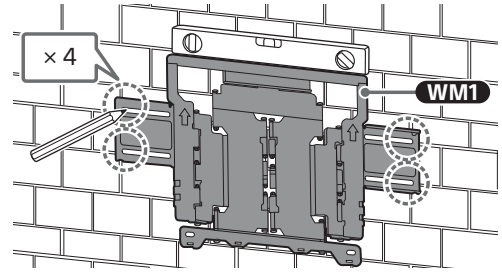
- โปรดดู “การวัดสำหรับการติดตั้งอุปกรณ์ยึดติดผนังเข้ากับผนัง” หน้า 18
- ดูน้ำหนักของทีวีได้จากคู่มืออ้างอิงของทีวี

หมายเหตุ

- เมื่อติดตั้งทีวีของท่านเข้ากับผนัง ด้านบนของทีวีจะเอียงมาข้างหน้าเล็กน้อย
- เราขอแนะนำให้ท่านตรวจสอบตำแหน่งของทีวีในสภาพแวดล้อมที่รับชม



2 ทาบ WM1 ลงบนผนังและทำเครื่องหมายสี่จุด

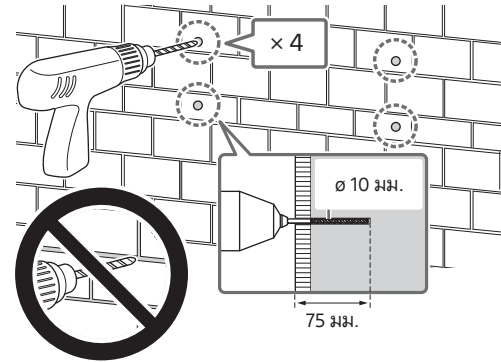


หมายเหตุ

- ใช้เครื่องมือวัดระดับในการตรวจสอบว่า WM1 ได้ระดับหรือไม่

3 เจาะรูนำร่องบนเครื่องหมาย

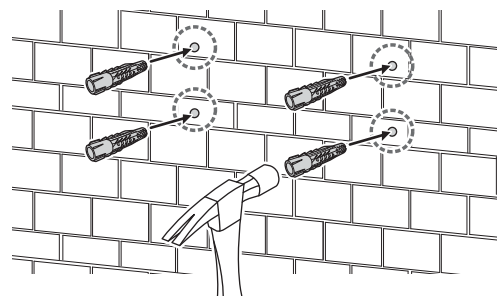
ตรวจสอบให้แน่ใจว่าตำแหน่งบนผนังที่จะเจาะรูนั้นแข็งแรงพอที่จะรองรับน้ำหนักอย่างน้อยหกเท่าของทีวี



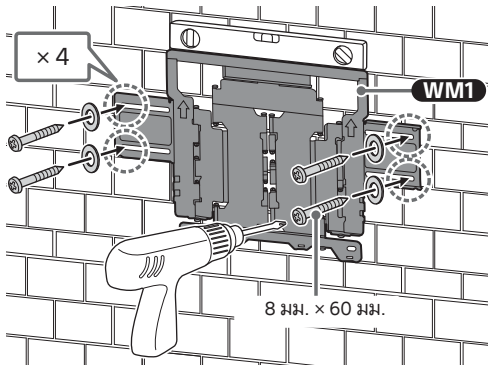
หมายเหตุ

- ต้องเจาะรูนำร่องให้มีความลึก 75 มม. โดยใช้ดอกสว่านขนาดเส้นผ่านศูนย์กลาง 10 มม.

4



5 ติดตั้ง **WM1** บนผนังโดยใช้สกรู (ไม่ได้ให้มา) และแหวนรอง (ไม่ได้ให้มา) ที่เหมาะสม



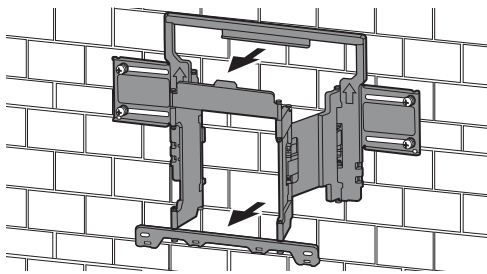
หมายเหตุ

- ใช้เครื่องมือวัดระดับในการตรวจสอบว่า **WM1** ได้ระดับหรือไม่

ข้อควรระวัง

- อย่าขันสกรูไม้ขนาด 8 มม. x 60 มม. แน่นเกินไป การขันแน่นอย่างไม่เหมาะสมอาจทำให้แรงยึดของสกรูไม้ขนาด 8 มม. x 60 มม. ลดลง

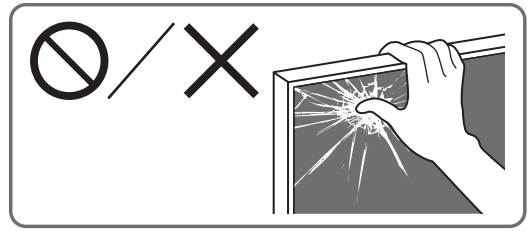
6 ดึงก้านของโครงยึดออกมาจนสุด



เตรียมพร้อมสำหรับการติดตั้งทีวี

หมายเหตุ

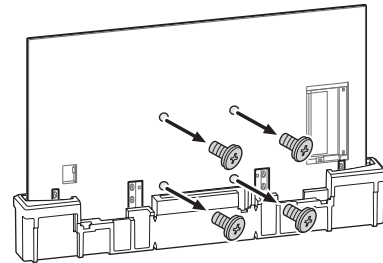
- ควรจัดเก็บสกรูที่ถอดออกมาและชิ้นส่วนที่ไม่ได้ใช้ในทีวีที่ปลอดภัย โดยจัดเก็บให้ห่างจากเด็ก



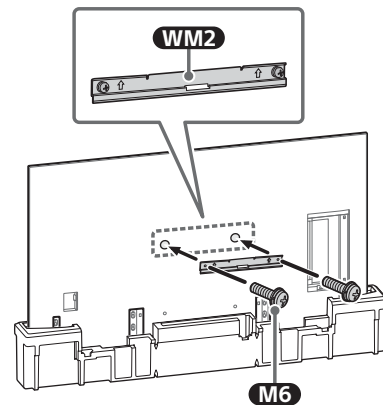
การติดตั้งทีวีบนผนังจากกล่อง*1

*1 สำหรับบางภูมิภาค/ประเทศ/รุ่นเท่านั้น

1 ถอดสกรูจากด้านหลังของทีวี

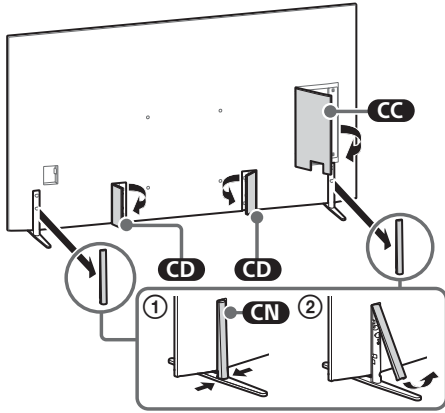


2 ยึด **WM2** เข้ากับทีวีโดยใช้ **M6**

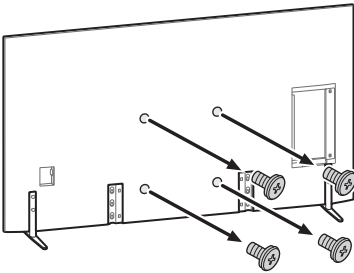


การติดตั้งทีวีบนผนังจากแป้นรองแบบตั้งโต๊ะ

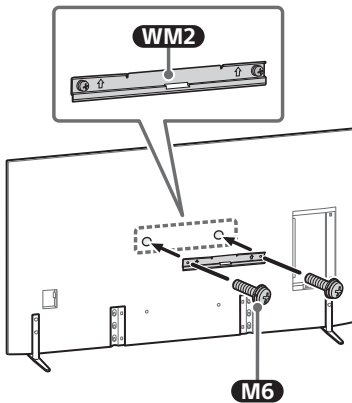
1 ถอดฝาครอบแป้นรอง และฝาครอบขั้วต่อ



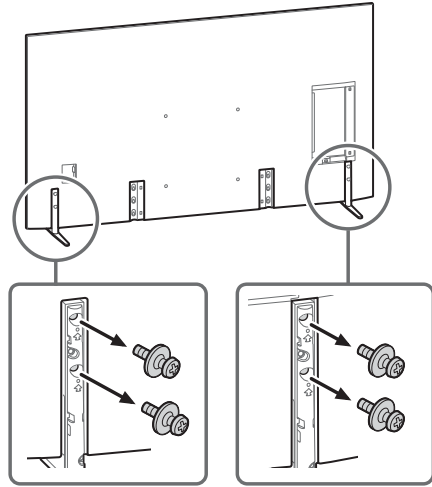
2 ถอดสกรูจากด้านหลังของทีวี



3 ยึด WM2 เข้ากับทีวีโดยใช้ M6



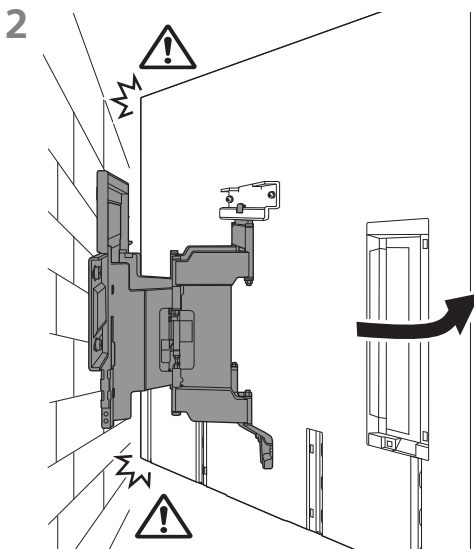
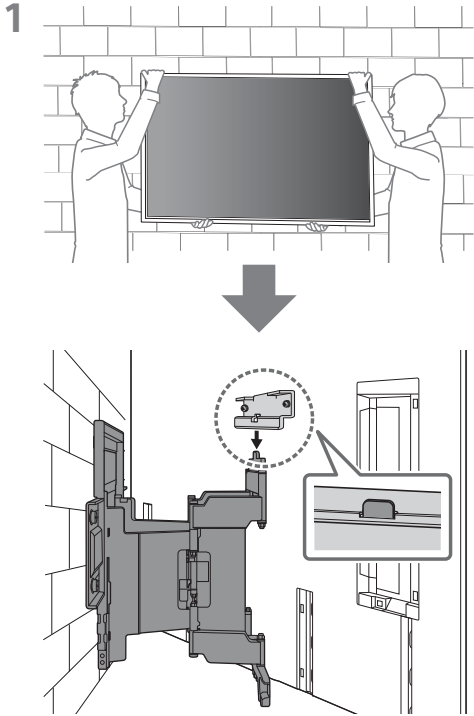
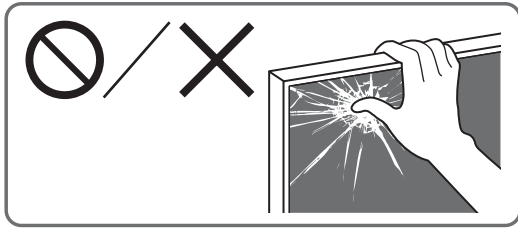
4 ถอดแป้นรองแบบตั้งโต๊ะออกจากทีวี



หมายเหตุ

- โปรดระมัดระวังขณะยกทีวี เนื่องจากขณะถอดแป้นรองแบบตั้งโต๊ะออก แป้นรองอาจตกและเป็นเหตุให้เกิดการบาดเจ็บได้
- โปรดถอดแป้นรองแบบตั้งโต๊ะออกจากทีวีอย่างระมัดระวัง เพื่อป้องกันมิให้เครื่องตกและทำให้พื้นผิวที่รองรับทีวีได้รับความเสียหาย

ติดตั้งทีวีบนผนัง

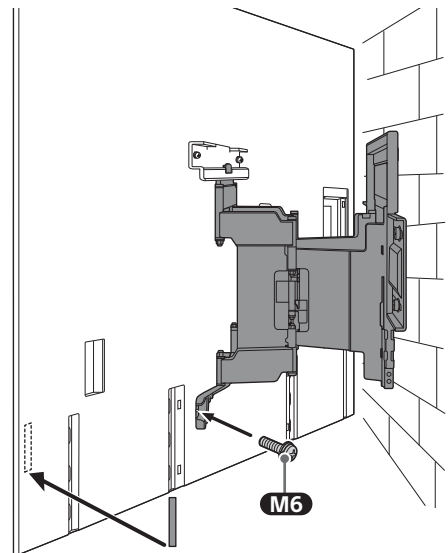
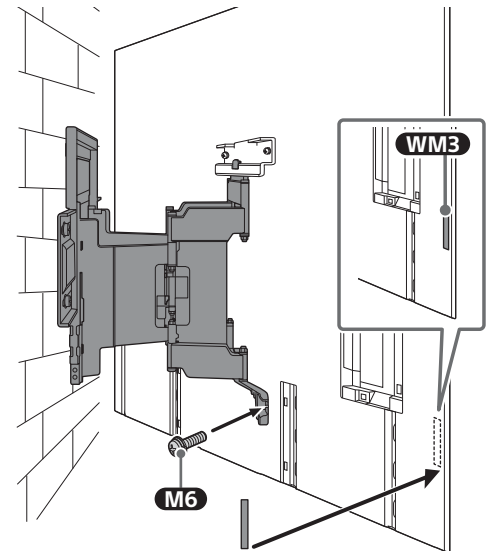


3 ชั้นสกรูที่ด้านซ้ายและขวาของอุปกรณ์ยึดติดผนังให้แน่นโดยใช้ **M6** แล้วติด

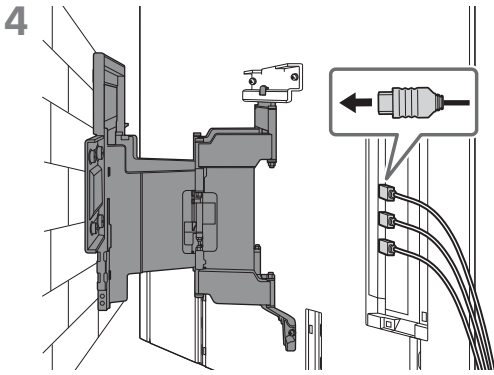
WM3

หมายเหตุ

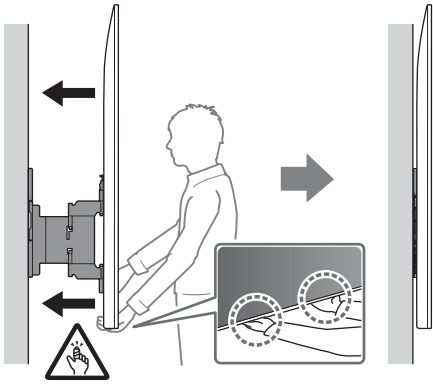
- อย่าติด **WM3** บนฉลาก



TH

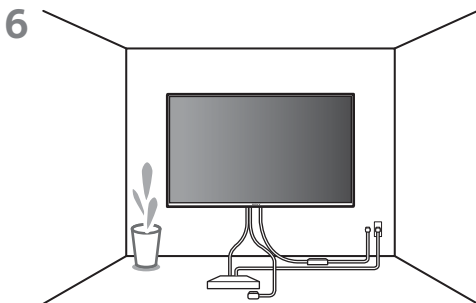


5 เมื่อเคลื่อนย้ายทีวีต้องจับให้มั่นคงจากด้านล่าง



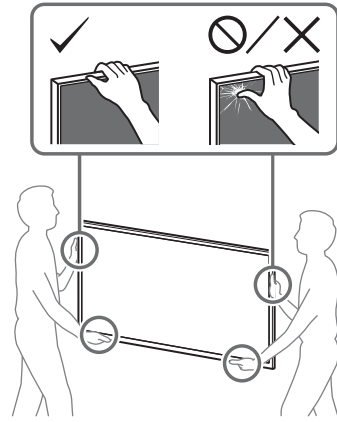
หมายเหตุ

- โทรทัศน์อาจไม่สามารถเคลื่อนเข้าใกล้กำแพงได้ ทั้งนี้ขึ้นอยู่กับชนิดและจำนวนของสายเคเบิลที่เชื่อมต่อ กรณีดังกล่าวไม่ถือเป็นเรื่องผิดปกติ



คำเตือน

- ต้องใช้คนจำนวนสองคนหรือมากกว่า (สามคนหรือมากกว่า สำหรับทีวีรุ่น 189.3 ซม. (75 นิ้ว) ขึ้นไป) สำหรับการเคลื่อนย้ายชุดทีวีขนาดใหญ่ (ยกเว้นอีลิปต์)
ต้องใช้คนจำนวนสองคนหรือมากกว่า (สามคนหรือมากกว่า สำหรับทีวีรุ่น 75 นิ้ว (189.3 ซม.) ขึ้นไป) สำหรับการเคลื่อนย้ายชุดทีวีขนาดใหญ่ (อีลิปต์เท่านั้น)



ตรวจสอบความเรียบร้อยสำหรับการติดตั้ง

ตรวจสอบหัวข้อต่อไปนี้

- สายไฟและสายเคเบิลไม่ถูกบิดหรือหนีบอยู่

คำเตือน

- หากวางตำแหน่งสายไฟ AC ฯลฯ ไม่ถูกต้อง อาจทำให้เกิดไฟไหม้หรือไฟฟ้าดูดจากการลัดวงจรได้ โปรดตรวจสอบว่าได้ทำการติดตั้งอย่างถูกต้องสมบูรณ์แล้ว

ข้อมูลอื่นๆ

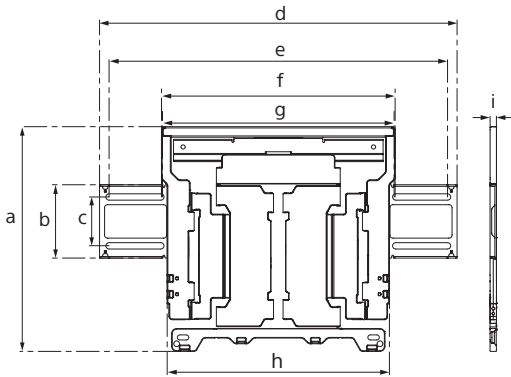
เมื่อต้องการจะถอดทีวีให้ปฏิบัติตามขั้นตอนการติดตั้งข้างต้น

คำเตือน

- ต้องใช้คนจำนวนสองคนหรือมากกว่า (สามคนหรือมากกว่า สำหรับทีวีรุ่น 189.3 ซม. (75 นิ้ว) ขึ้นไป) สำหรับการเคลื่อนย้ายชุดทีวีขนาดใหญ่ (ยกเว้นอีลิปต์)
ต้องใช้คนจำนวนสองคนหรือมากกว่า (สามคนหรือมากกว่า สำหรับทีวีรุ่น 75 นิ้ว (189.3 ซม.) ขึ้นไป) สำหรับการเคลื่อนย้ายชุดทีวีขนาดใหญ่ (อีลิปต์เท่านั้น)

ข้อมูลจำเพาะ

WM1



ขนาด: (ประมาณ) [มม.]

a : 354

b : 116

c : 77

d : 563

e : 533

f : 370

g : 368

h : 350

i : 11

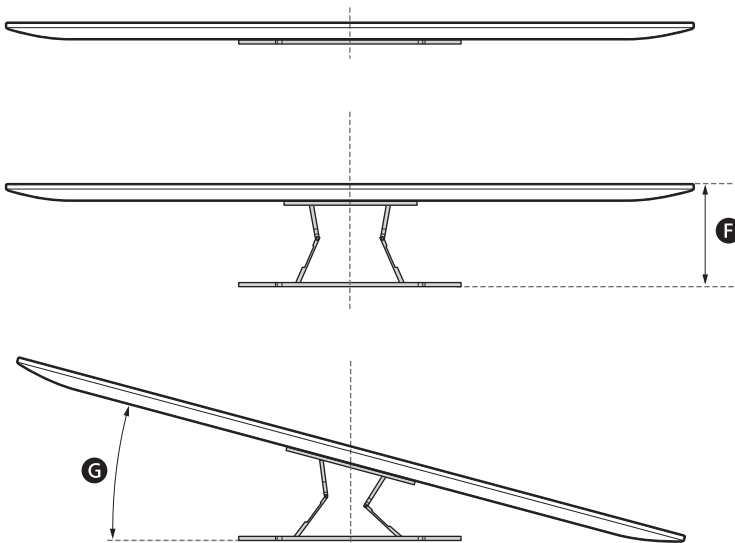
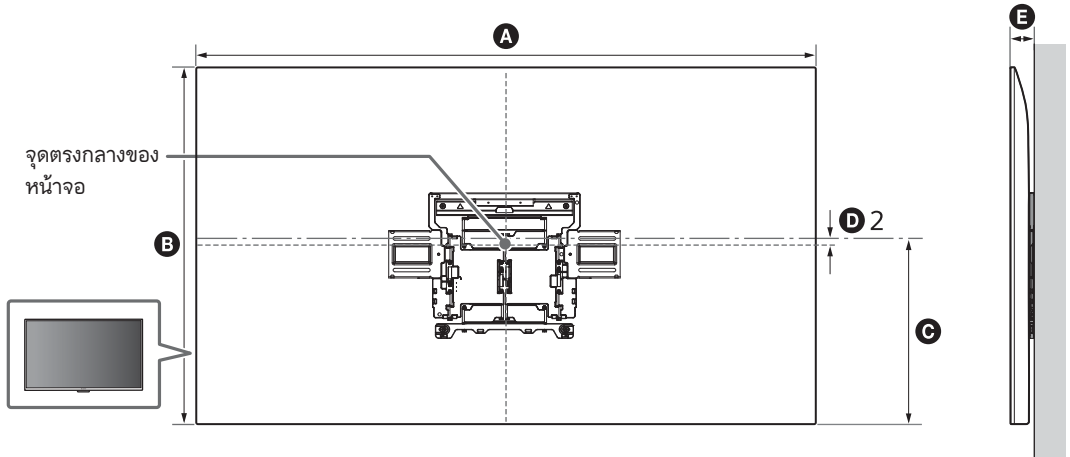
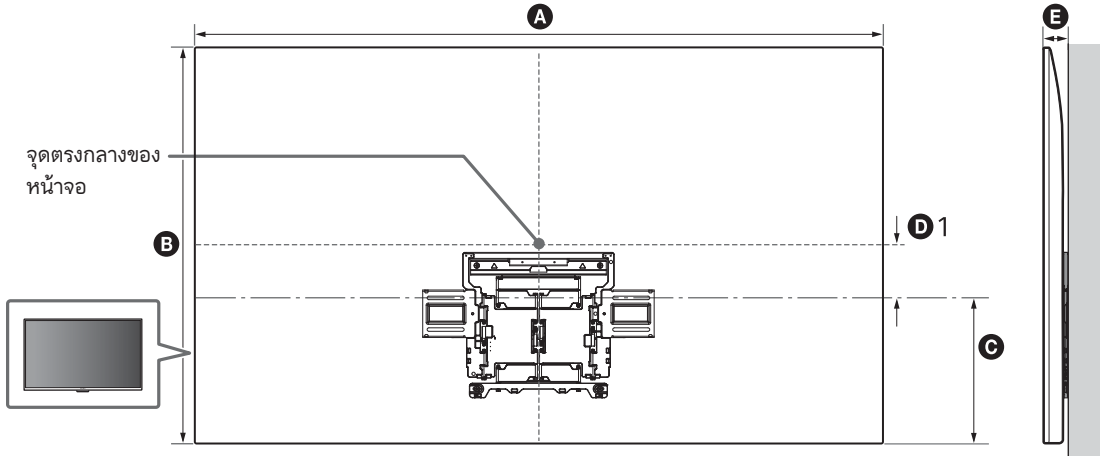
น้ำหนัก (เฉพาะฐานรอง): (ประมาณ) [กก.]

3.0

แบบและข้อมูลจำเพาะอาจเปลี่ยนแปลงได้โดยไม่
แจ้งล่วงหน้า

อ้างอิง

การวัดสำหรับการติดตั้งอุปกรณ์ยึดติดผนังเข้ากับผนัง
ตัวเลขในตารางนี้อาจแตกต่างกันเล็กน้อยทั้งนี้ขึ้นอยู่กับวิธีการติดตั้ง



(มม.)

ชื่อรุ่น	A	B	C	D 1	D 2	E	F ^{*1}	G ^{*1} (°)
K-77XR8x	1 713	984	362	139	-	48	251.4	12
K-65XR8x	1 442	829	362	57	-	48	250.8	17
K-55XR8x	1 223	706	362	-	3	48	250.8	19

*1 (ประมาณ)

Informasi Pemasangan untuk Penggunaan Braket Penyangga Dinding Sony (SU-WL850)

Model yang didukung*1:

*1 Dalam nama model yang sebenarnya, "x"/"xx" menandakan angka dan/atau karakter yang spesifik untuk setiap model.

K-77XR8x / 65XR8x / 55XR8x

Kepada Pelanggan

Untuk alasan perlindungan produk dan keselamatan, Sony sangat menganjurkan pemasangan TV Anda dilakukan oleh dealer Sony atau kontraktor yang memiliki lisensi. Jangan mencoba untuk memasangnya sendiri.

Kepada Dealer Sony dan Kontraktor

Beri perhatian penuh pada keselamatan selama pemasangan, pemeliharaan rutin dan pemeriksaan produk ini.

Keahlian yang memadai diperlukan untuk memasang produk ini, khususnya untuk menentukan kekuatan dinding guna menahan berat TV. Pastikan untuk mempercayakan perlengkapan dinding produk ini kepada dealer Sony atau kontraktor yang memiliki lisensi dan memberi perhatian yang cukup kepada faktor keselamatan selama pemasangan. Sony tidak bertanggung jawab atas semua kerusakan atau cedera yang timbul karena kesalahan penanganan atau pemasangan yang tidak benar.

Untuk Keselamatan dan pemasangan yang benar, ikuti Petunjuk Pengoperasian Braket Penyangga Dinding, Panduan Penyetelan TV, dan pengarahannya dalam petunjuk ini.

Braket Penyangga Dinding

Keselamatan

Terima kasih telah membeli produk ini.

Kepada Pelanggan

Pemasangan TV di Dinding



PERINGATAN

DIBUTUHKAN PEMASANGAN OLEH TENAGA PROFESIONAL

Produk ini hanya boleh dipasang oleh tenaga pemasang profesional yang berpengalaman untuk menentukan kekuatan dinding dalam menahan beban dari berat TV. TV bisa jatuh dan menyebabkan cedera serius bila tidak dipasang dengan benar selama proses pemasangan. Sony tidak bertanggung jawab atas kerusakan atau cedera yang diakibatkan oleh kesalahan penanganan atau pemasangan yang tidak benar, atau pemasangan produk lain selain daripada produk yang telah ditentukan. Hak Anda menurut Undang-Undang (jika ada) tidak akan terpengaruh.

Kepada Dealer Sony

Keahlian yang memadai dibutuhkan untuk memasang produk ini. Pastikan untuk membaca petunjuk penggunaan ini selengkapnya untuk melakukan pekerjaan pemasangan dengan aman. Sony tidak bertanggung jawab atas ganti rugi atau cedera yang disebabkan oleh penanganan yang salah atau pemasangan yang tidak benar. Berikanlah petunjuk ini kepada pelanggan setelah pemasangan selesai.

Petunjuk penggunaan ini memperlihatkan penanganan yang benar atas produk dan langkah pencegahan penting yang diperlukan untuk mencegah kecelakaan. Anda wajib dan bertanggung jawab untuk membaca, memahami dengan saksama, dan mengikuti semua petunjuk yang tertera dalam petunjuk penggunaan ini. Kelalaian untuk melakukannya bisa mengakibatkan cedera serius atau kerusakan properti, dan bisa membatalkan garansi. Sediakan selalu petunjuk ini untuk acuan di masa mendatang.

Produk Sony didesain dengan mengingat keselamatan. Namun jika produk digunakan dengan tidak benar, cedera serius dapat terjadi karena kebakaran, sengatan listrik, produk roboh, atau produk terjatuh. Pastikan untuk mematuhi tindakan pencegahan keselamatan untuk mencegah kecelakaan demikian.

PERHATIAN

Produk yang disebutkan

Braket Penyangga Dinding ini didesain untuk digunakan dengan produk TV yang disebutkan. Untuk TV, lihat Panduan Referensi untuk memverifikasi bahwa Braket Penyangga Dinding dapat digunakan.

Kepada Pelanggan

PERINGATAN

Dalam langkah pencegahan berikut ini, cedera serius atau kematian dapat terjadi karena kebakaran, sengatan listrik, atau produk terjatuh.

Pastikan untuk mensubkontrakkan pemasangan kepada kontraktor berlisensi dan jauhkan anak-anak selama melakukan pemasangan.

Jika Braket Penyangga Dinding atau TV tidak dipasang dengan benar, kecelakaan berikut ini dapat terjadi. Pastikan bahwa yang melakukan pemasangan adalah kontraktor berlisensi.

- TV dapat jatuh dan menyebabkan cedera serius seperti memar atau patah tulang.
- Jika dinding tempat memasang Braket Penyangga Dinding tidak stabil, tidak rata, atau tidak tegak lurus terhadap lantai, unit dapat jatuh dan menyebabkan cedera atau kerusakan harta benda. Dinding harus mampu menahan berat paling sedikit enam kali berat TV. (Lihat Panduan Referensi TV Anda untuk beratnya.)
- Jika pemasangan Braket Penyangga Dinding pada dinding tidak cukup kukuh, unit dapat jatuh dan menyebabkan cedera atau kerusakan harta benda.

Pastikan untuk mensubkontrakkan pemindahan atau pelepasan TV kepada kontraktor berlisensi.

Jika pengangkutan atau pelepasan dilakukan bukan oleh kontraktor berlisensi, TV dapat jatuh dan menyebabkan cedera atau kerusakan harta benda. Diperlukan dua orang atau lebih (tiga orang atau lebih untuk TV 189,3 cm (75 inci) dan lebih besar) untuk mengangkat set TV yang besar (kecuali Mesir).

Diperlukan dua orang atau lebih (tiga orang atau lebih untuk TV 75 inci (189,3 cm) dan lebih besar) untuk mengangkat set TV yang besar (Mesir saja).

Jangan melepaskan sekrup, dll., setelah memasang TV.

Jika Anda melakukannya, TV dapat jatuh dan menyebabkan cedera atau kerusakan harta benda.

Jangan melakukan perubahan pada komponen-komponen Braket Penyangga Dinding.

Jika Anda melakukan ini, Braket Penyangga Dinding dapat jatuh dan menyebabkan cedera atau kerusakan harta benda.

Jangan memasang perangkat apa pun selain produk yang disebutkan.

Braket Penyangga Dinding ini didesain untuk digunakan hanya dengan produk yang disebutkan. Jika Anda memasang perangkat selain yang disebutkan, dukungan dapat jatuh atau patah, dan menyebabkan cedera atau kerusakan harta benda.

Jangan memberikan beban apa pun selain TV pada Braket Penyangga Dinding. Jangan mengguncang TV ke kiri/kanan, atas/bawah.

Jika Anda melakukannya, TV dapat jatuh dan menyebabkan cedera atau kerusakan harta benda.

Jangan bersandar atau bergantung pada TV.

Jangan bersandar atau bergantung pada TV karena dapat jatuh ke atas Anda dan menyebabkan cedera serius.

PERHATIAN

Jika langkah pencegahan berikut ini tidak diikuti, cedera atau kerusakan harta benda dapat terjadi.

- Berhati-hatilah agar jari Anda tidak terjepit saat menangani Braket Penyangga Dinding atau saat memutar perangkat TV.
- Berhati-hatilah saat memegang dan memutar perangkat TV agar tidak mengenai orang lain di sekitarnya.
- Pastikan untuk menyimpan bagian-bagian yang tidak digunakan di tempat yang aman untuk digunakan di masa mendatang. Jauhkan dari jangkauan anak-anak.

Jangan menangani produk dengan tenaga berlebihan selama membersihkan atau merawat produk.

Jangan mengenakan tenaga berlebihan pada sisi atas TV. Jika Anda melakukannya, TV dapat jatuh dan menyebabkan cedera atau kerusakan harta benda.

Jangan meletakkan produk ini di dekat alat medis.

Produk ini (termasuk aksesorinya) mengandung magnet yang dapat mengganggu alat pacu jantung, katup shunt yang dapat diprogram untuk pengobatan hidrosefalus, atau alat medis lain. Jangan meletakkan produk ini di dekat orang yang menggunakan alat medis tersebut. Konsultasikan dengan dokter sebelum menggunakan produk ini jika Anda menggunakan alat medis tersebut.

Jauhkan dari jangkauan anak-anak atau mereka yang membutuhkan pengawasan.

Produk ini (termasuk aksesorinya) mengandung magnet. Magnet yang tertelan dapat mengakibatkan bahaya serius, misalnya bahaya tersedak atau cedera usus. Jika satu (atau beberapa) magnet tertelan, segera hubungi dokter.

Tindakan Pencegahan

- Jika Anda menggunakan TV yang dipasang pada Braket Penyangga Dinding untuk jangka waktu lama, dinding di belakang atau di atas TV dapat memudar warnanya atau wallpaper dapat terlepas, tergantung pada bahan dindingnya.
- Jika Braket Penyangga Dinding dilepas setelah dipasang pada dinding, lubang-lubang sekrupnya akan tertinggal pada dinding.
- Jangan gunakan Braket Penyangga Dinding di tempat yang membuatnya terkena getaran mekanis.

Memasang Braket Penyangga Dinding

Kepada Dealer Sony

PERINGATAN

Petunjuk berikut ini adalah hanya untuk dealer Sony. Pastikan untuk membaca tindakan pencegahan keselamatan yang diuraikan di atas dan berikan perhatian khusus kepada keselamatan selama pemasangan, perawatan, dan pemeriksaan produk ini.

Jangan memasang Braket Penyangga Dinding pada permukaan dinding yang akan membuat sudut atau pinggirannya menonjol keluar dari permukaan dinding.

Jangan memasang Braket Penyangga Dinding pada permukaan dinding seperti pilar, yang akan membuat sudut atau pinggirannya menonjol keluar dari permukaan dinding. Jika seseorang atau benda kebetulan membentur sudut atau sisi TV yang menonjol, cedera atau kerusakan harta benda dapat terjadi.

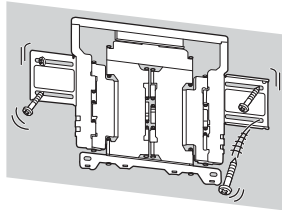


Jangan memasang TV di atas atau di bawah AC.

Jika TV terkena kebocoran air atau arus udara dari AC untuk waktu lama, kebakaran atau sengatan listrik, atau malfungsi TV dapat terjadi.

Pastikan untuk memasang Braket Penyangga Dinding dengan kuat pada dinding dengan mengikuti petunjuk dalam petunjuk penggunaan ini.

Jika ada sekrupnya yang kendur atau terjatuh, Braket Penyangga Dinding dapat jatuh dan menyebabkan cedera atau kerusakan harta benda. Pastikan untuk menggunakan sekrup yang sesuai dengan material dindingnya dan kencangkan unit menggunakan 4 sekrup berdiameter 8 mm (atau setara).



Pastikan untuk menggunakan sekrup dan komponen pemasangan yang disertakan dengan mengikuti petunjuk yang diberikan dalam petunjuk penggunaan ini secara benar. Jika Anda mengganti komponen dengan komponen lain, TV dapat jatuh dan menyebabkan cedera badan pada orang atau kerusakan pada TV.

Pastikan untuk merakit dudukan dengan benar dengan mengikuti prosedur yang ditentukan seperti dijelaskan dalam petunjuk penggunaan ini.

Jika ada sekrup yang kendur atau terjatuh, TV dapat jatuh dan menyebabkan cedera badan pada orang atau kerusakan pada TV.

Pastikan untuk mengencangkan sekrup dengan kuat pada posisi yang ditentukan.

Jika Anda tidak melakukan hal ini, TV dapat jatuh dan menyebabkan cedera badan pada orang atau kerusakan pada TV.

Berhati-hatilah untuk tidak membuat TV terkena kejutan saat dipasang.

Jika terkena kejutan, TV dapat terjatuh atau hancur. Hal ini dapat menyebabkan cedera.

Pastikan untuk memasang TV pada dinding yang tegak lurus dan juga rata.

Jika Anda tidak melakukannya, TV dapat jatuh dan menyebabkan cedera.

Setelah TV dipasang dengan benar, kencangkan kabel-kabelnya dengan baik.

Jika ada orang atau benda yang tersangkut pada kabel, cedera atau kerusakan pada TV dapat terjadi.

Jangan biarkan kabel listrik AC atau kabel penghubung terjepit.

Jika kabel listrik AC atau kabel penghubung terjepit di antara unit dan dinding atau tertekuk atau terpuntir secara paksa, konduktor internalnya dapat menjadi terbuka dan menyebabkan korsleting (hubungan pendek) atau putusnya aliran listrik. Hal ini dapat menyebabkan kebakaran atau sengatan listrik.



Sekrup-sekrup yang dibutuhkan untuk mengencangkan Braket Penyangga Dinding pada dinding tidak disertakan.

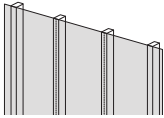
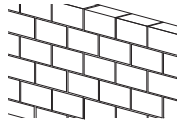
Gunakan sekrup yang sesuai dengan bahan dan struktur dinding saat memasang Braket Penyangga Dinding.

Persiapan

- Ilustrasi TV yang ditunjukkan dalam petunjuk ini adalah contoh yang digunakan untuk memberikan penjelasan yang lebih baik mengenai pengoperasian. Karena alasan ini, ilustrasi mungkin tampak berbeda dari TV Anda yang sesungguhnya.

Terbuat dari apakah dinding Anda?

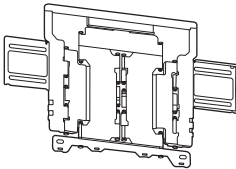



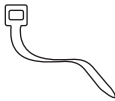
Pertama, periksa tipe dinding yang akan dipasang TV.

<p>Dinding gypsum dengan baut tanam</p>  <p>Tindakan Pencegahan</p> <ul style="list-style-type: none">• Ketebalan maksimum dinding gypsum: 16 mm.• Pastikan ukuran stud kayu dalam sekurangnya 51 mm x 102 mm untuk umum atau 38 mm x 89 mm untuk nominal.• Jaga jarak minimum horizontal 406 mm antar-pengencang.	<p>Beton Padat atau Balok Beton</p>  <p>Tindakan Pencegahan</p> <ul style="list-style-type: none">• Pasang Braket Penyangga Dinding langsung pada dinding beton padat.• Pastikan ketebalan dinding beton padat sekurangnya 203 mm.• Pastikan ukuran masing-masing balok beton sekurangnya 203 mm x 203 mm x 406 mm.
---	---

Memeriksa komponen



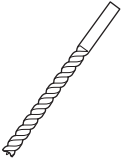
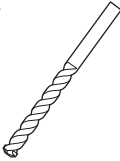
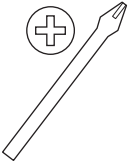
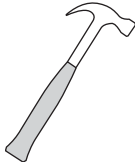
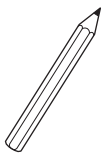

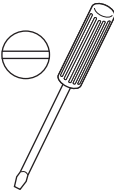
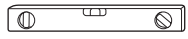



Disertakan dengan SU-WL850

- Pastikan bahwa semua komponen sudah ada.

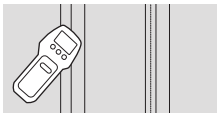
<p>WM1 (x1)</p> 	<p>WM2 (x1)</p> 	<p>WM3 (x4)</p> 
<p>M6 (x4)</p> 	<p>WT1 (x6)</p> 	

Menyiapkan pemasangan

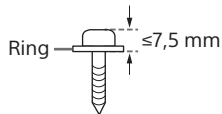
- Siapkan Panduan Referensi dan Panduan Penyetelan TV sebelum memasang.
- Pastikan kembali posisi pemasangan TV Anda.
- Siapkan empat sekrup berdiameter 8 mm dan empat ring yang sesuai (tidak disertakan). Pilih sekrup yang sesuai dengan bahan dinding.
- Siapkan alat berikut:

*1 		 5,5 mm	 10 mm	
*2 		 1,5 N·m {15 kgf·cm}	*3  1,5 N·m {15 kgf·cm}	
	*2  (x4)	*4  (x4) 8 mm × 60 mm	*4  (x4)	

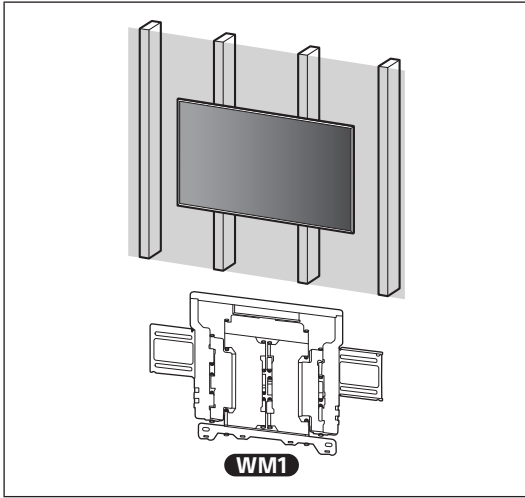
*1 Khusus untuk dinding gypsum dengan baut tanam



- *2 Khusus untuk beton padat atau balok beton
- *3 Tergantung pada modelnya
- *4 Berhati-hatilah saat memilih sekrup dan ring



A Memasang Braket Penyanga Dinding ke dinding gypsum dengan baut tanam



Memasang Braket Penyanga Dinding ke dinding

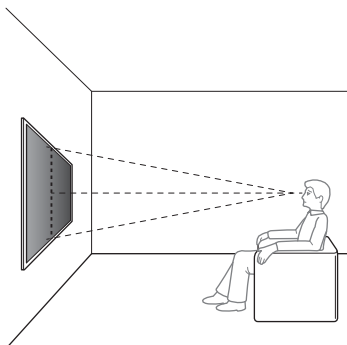
1 Memutuskan lokasi pemasangan.

Pastikan bahwa ruang pada dinding cukup untuk TV dan dapat menampung berat minimal enam kali berat TV.

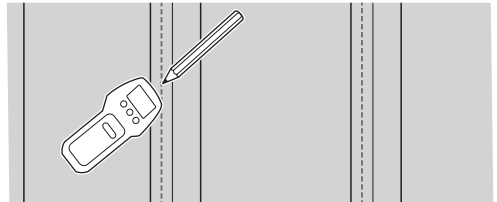
- Lihat "Pengukuran untuk pemasangan Braket Penyanga Dinding di dinding" di halaman 19.
- Lihat Panduan Referensi TV Anda untuk berat TV.

Catatan

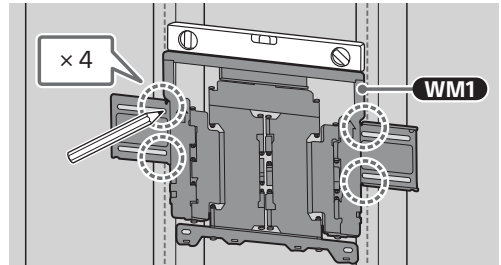
- Ketika TV Anda dipasang di dinding, bagian atas TV sedikit condong ke depan.
- Anda sebaiknya memeriksa posisi TV dalam lingkungan untuk menonton.



2



3 Luruskan WM1 dengan dinding dan buat empat tanda yang lurus dengan baut tanam.

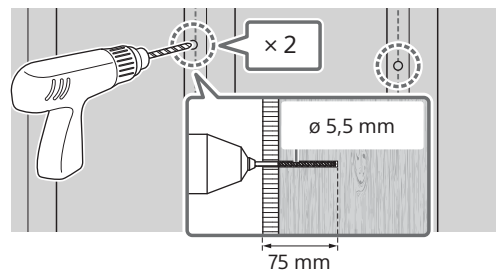


Catatan

- Gunakan waterpass untuk memeriksa apakah WM1 sejajar.

4 Bor lubang panduan atas pada tanda-tanda itu.

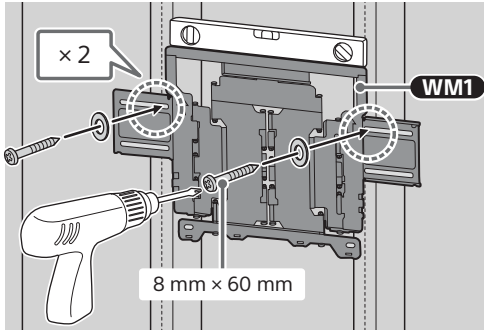
Pastikan lokasi di dinding untuk mengebor lubang cukup kuat untuk menopang berat setidaknya enam kali lipat dari TV.



Catatan

- Lubang panduan harus dibor dengan kedalaman hingga 75 mm, menggunakan mata bor dengan diameter 5,5 mm.

- 5 Pasang **WM1** di dinding menggunakan sekrup yang sesuai (tidak disertakan) dan ring (tidak disertakan).



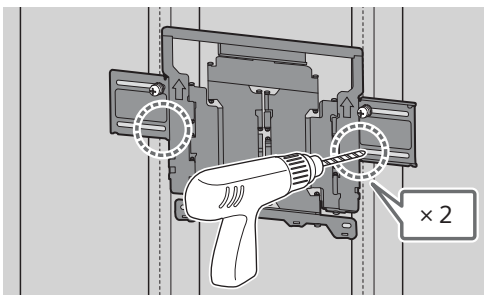
Catatan

- Gunakan waterpass untuk memeriksa apakah **WM1** sejajar.

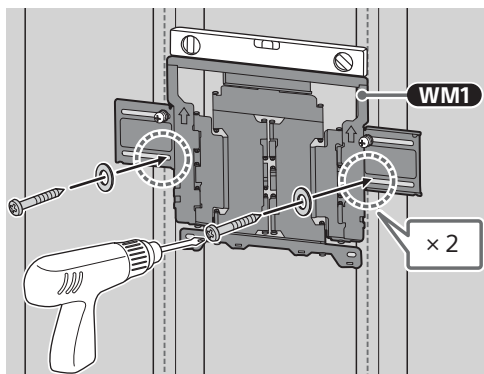
Tindakan Pencegahan

- Jangan terlalu mengencangkan sekrup kayu 8 mm x 60 mm. Pengencangan yang tidak tepat dapat mengurangi kekuatan cengkaman sekrup kayu 8 mm x 60 mm.

- 6 Bor lubang panduan bawah pada tanda. (Lihat langkah 4 untuk mengetahui petunjuk pengeboran.)



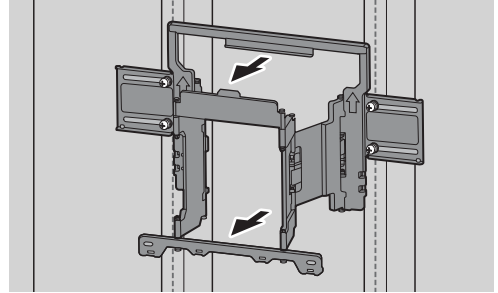
- 7 Pasang sekrup yang sesuai dan ring ke lubangnya.



Catatan

- Gunakan waterpass untuk memeriksa apakah **WM1** sejajar.

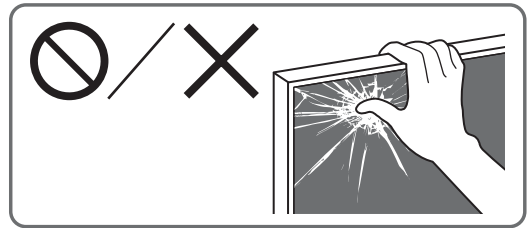
- 8 Tarik keluar lengan braket hingga ujungnya.



Mempersiapkan pemasangan TV

Catatan

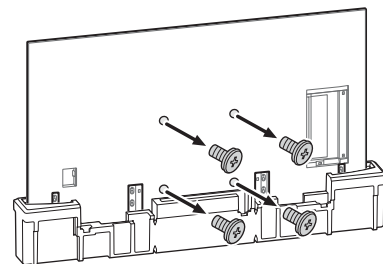
- Pastikan untuk menyimpan sekrup yang dilepaskan dan komponen yang tidak digunakan di tempat yang aman, jauh dari anak-anak.



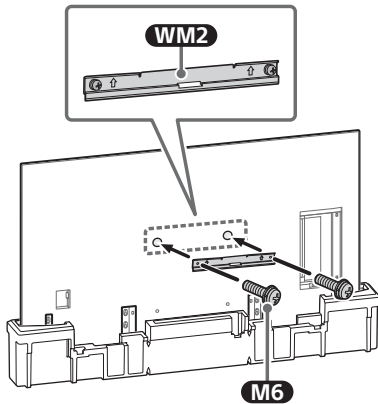
Pemasangan TV di Dinding dari karton*1

- *1 Hanya untuk kawasan/negara/model tertentu.

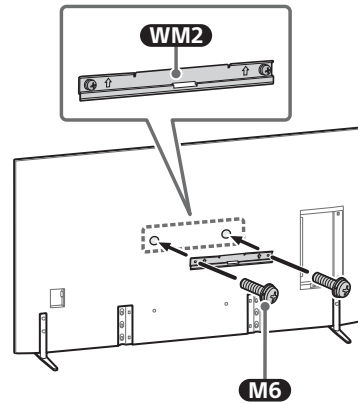
- 1 Lepaskan sekrup dari bagian belakang TV.



2 Pasang **WM2** ke TV menggunakan **M6**.

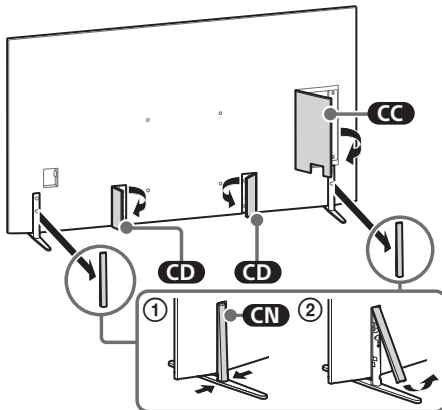


3 Pasang **WM2** ke TV menggunakan **M6**.

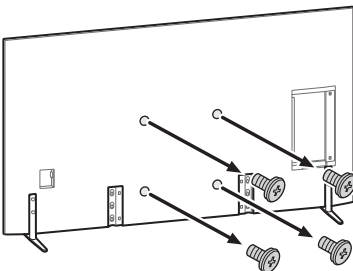


Pemasangan TV di dinding dari Penyangga di Atas Meja

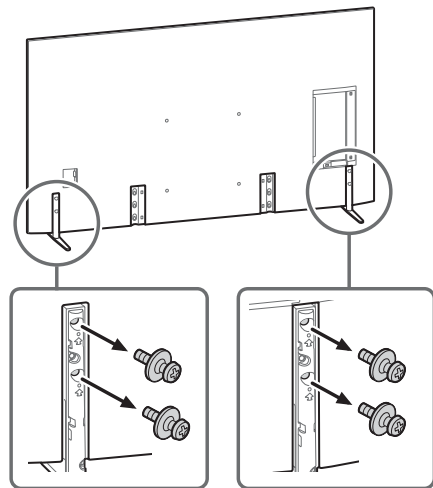
1 Lepas penutup penyangga dan penutup terminal.



2 Lepaskan sekrup dari bagian belakang TV.



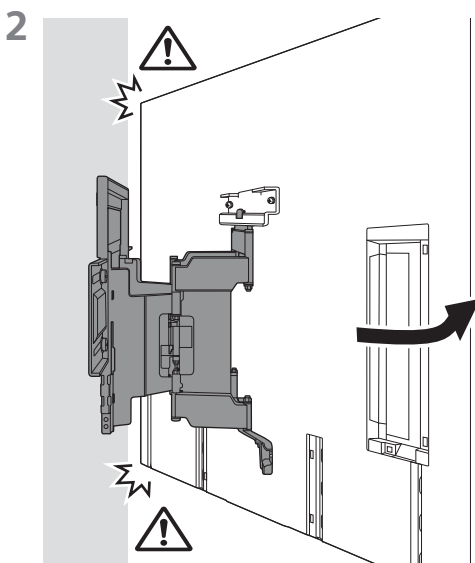
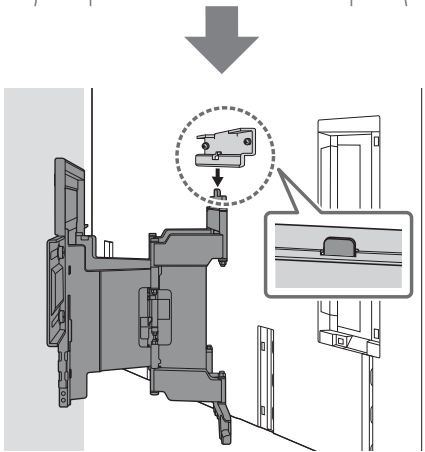
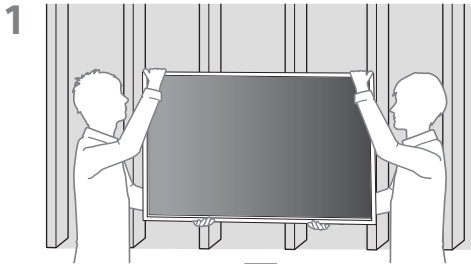
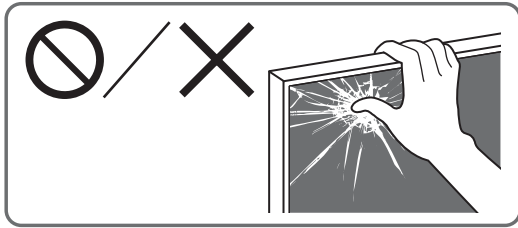
4 Lepaskan Penyangga di Atas Meja dari TV.



Catatan

- Waspadalah ketika mengangkat TV karena Penyangga Di Atas Meja tidak terpasang, Penyangga Di Atas Meja bisa terjatuh dan menyebabkan luka.
- Berhati-hatilah ketika melepaskan Penyangga Di Atas Meja dari TV untuk mencegahnya terjatuh dan merusak permukaan tempat TV ditempatkan.

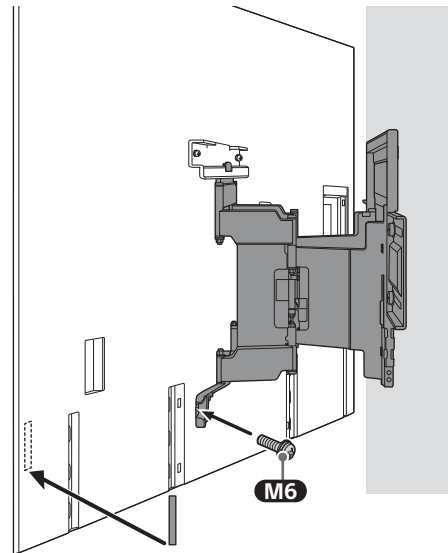
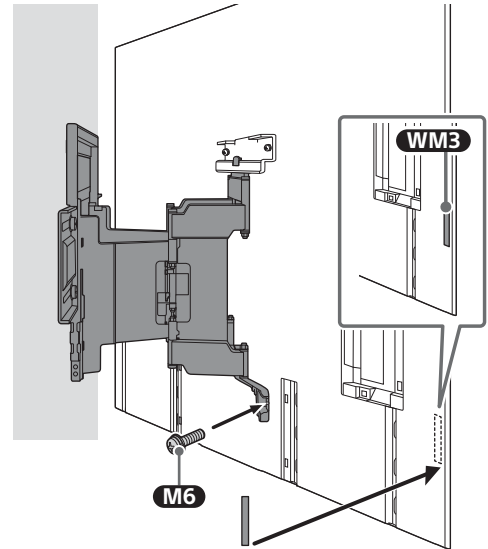
Memasang TV pada dinding

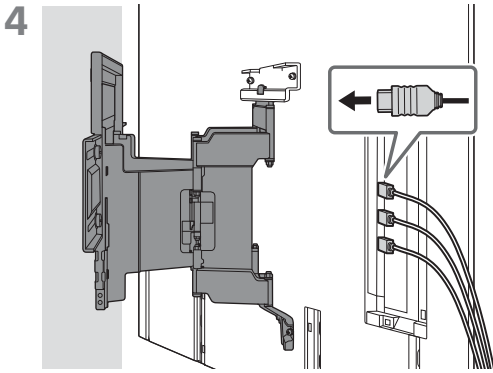


3 Sekrup sisi kiri dan kanan Braket Penyangga Dinding menggunakan **M6** dan pasang **WM3**.

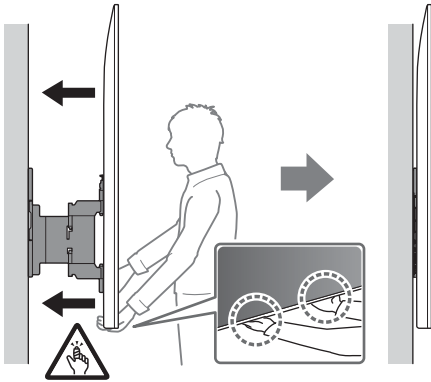
Catatan

- Jangan memasang **WM3** pada label.



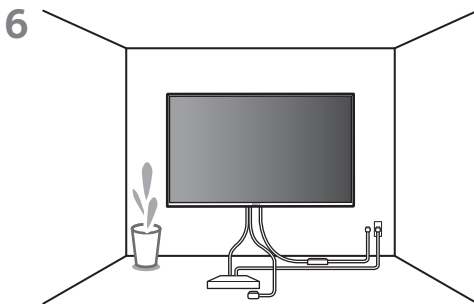


5 Saat memindahkan TV, pegang erat-erat dari bawah.



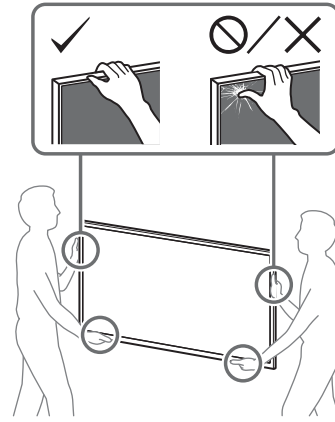
Catatan

- TV mungkin tidak dapat didekatkan ke dinding tergantung pada tipe dan jumlah kabel yang terpasang. Kondisi seperti ini bukan malfungsi.



PERINGATAN

- Diperlukan dua orang atau lebih (tiga orang atau lebih untuk TV 189,3 cm (75 inci) dan lebih besar) untuk mengangkat set TV yang besar (kecuali Mesir). Diperlukan dua orang atau lebih (tiga orang atau lebih untuk TV 75 inci (189,3 cm) dan lebih besar) untuk mengangkat set TV yang besar (Mesir saja).



Konfirmasikan selesainya pemasangan

Periksa poin-poin berikut ini.

- Kawat dan kabel tidak terpuntir atau terjepit.

PERINGATAN

- Penempatan kabel listrik yang tidak benar, dll., dapat menimbulkan kebakaran atau sengatan listrik melalui arus pendek. Pastikan untuk mengonfirmasi selesainya pemasangan demi keselamatan.

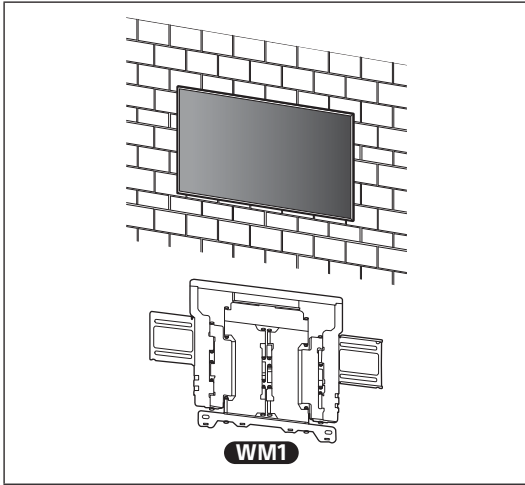
Informasi lain

Untuk melepas TV, balik prosedur pemasangan sebelumnya.

PERINGATAN

- Diperlukan dua orang atau lebih (tiga orang atau lebih untuk TV 189,3 cm (75 inci) dan lebih besar) untuk mengangkat set TV yang besar (kecuali Mesir). Diperlukan dua orang atau lebih (tiga orang atau lebih untuk TV 75 inci (189,3 cm) dan lebih besar) untuk mengangkat set TV yang besar (Mesir saja).

B Memasang Braket Penyangga Dinding ke beton padat atau balok beton



Memasang Braket Penyangga Dinding ke dinding

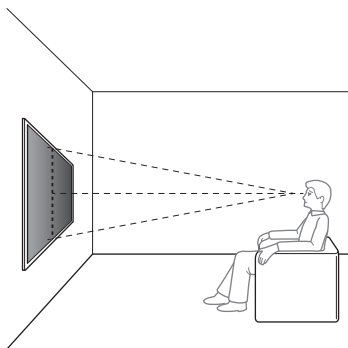
1 Memutuskan lokasi pemasangan.

Pastikan bahwa ruang pada dinding cukup untuk TV dan dapat menampung berat minimal enam kali berat TV.

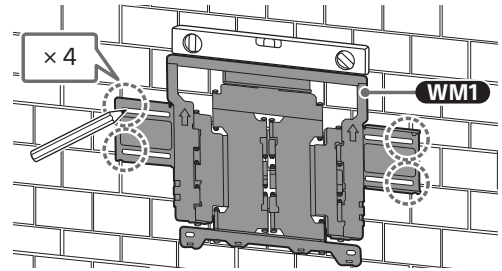
- Lihat "Pengukuran untuk pemasangan Braket Penyangga Dinding di dinding" di halaman 19.
- Lihat Panduan Referensi TV Anda untuk berat TV.

Catatan

- Ketika TV Anda dipasang di dinding, bagian atas TV sedikit condong ke depan.
- Anda sebaiknya memeriksa posisi TV dalam lingkungan untuk menonton.



2 Luruskan WM1 dengan dinding dan buat empat tanda.

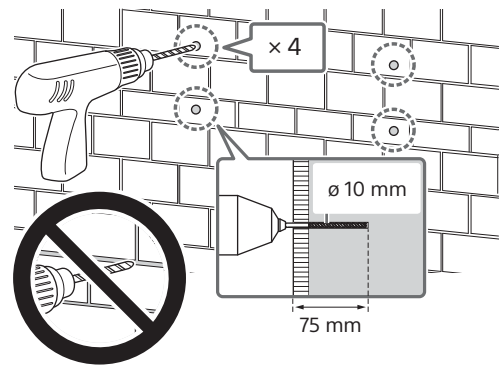


Catatan

- Gunakan waterpass untuk memeriksa apakah WM1 sejajar.

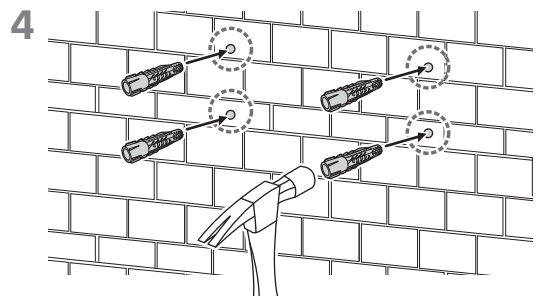
3 Bor lubang panduan pada tanda.

Pastikan lokasi di dinding untuk mengebor lubang cukup kuat untuk menopang berat setidaknya enam kali lipat dari TV.

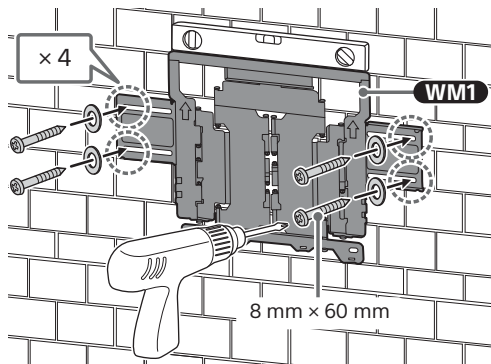


Catatan

- Lubang panduan harus dibor dengan kedalaman hingga 75 mm, menggunakan mata bor dengan diameter 10 mm.



- 5 Pasang **WM1** di dinding menggunakan sekrup yang sesuai (tidak disertakan) dan ring (tidak disertakan).



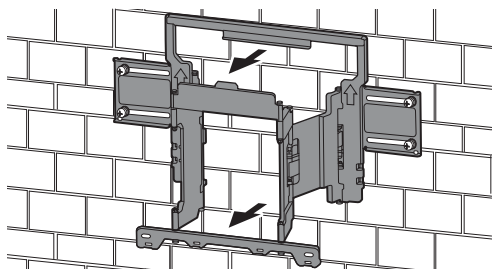
Catatan

- Gunakan waterpass untuk memeriksa apakah **WM1** sejajar.

Tindakan Pencegahan

- Jangan terlalu mengencangkan sekrup kayu 8 mm x 60 mm. Pengencangan yang tidak tepat dapat mengurangi kekuatan cengkaman sekrup kayu 8 mm x 60 mm.

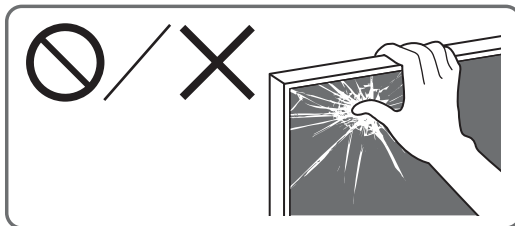
- 6 Tarik keluar lengan braket hingga ujungnya.



Mempersiapkan pemasangan TV

Catatan

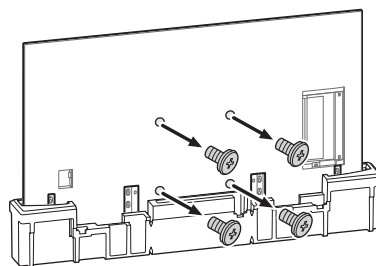
- Pastikan untuk menyimpan sekrup yang dilepaskan dan komponen yang tidak digunakan di tempat yang aman, jauh dari anak-anak.



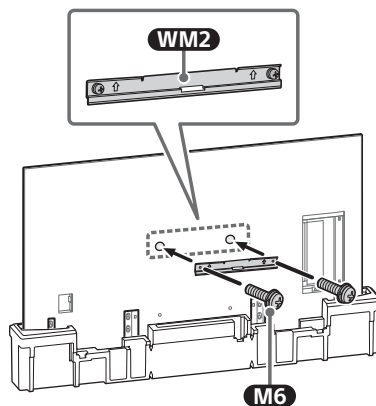
Pemasangan TV di Dinding dari karton*1

- *1 Hanya untuk kawasan/negara/model tertentu.

- 1 Lepaskan sekrup dari bagian belakang TV.

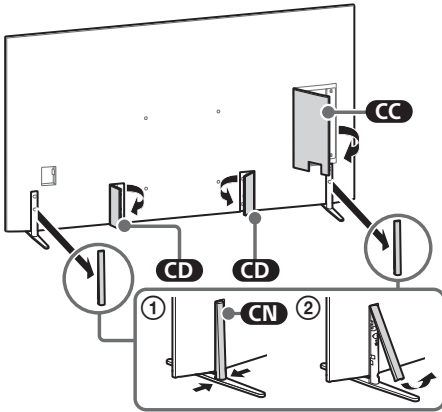


- 2 Pasang **WM2** ke TV menggunakan **M6**.

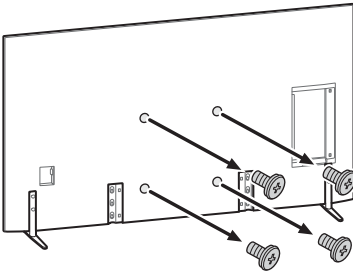


Pemasangan TV di dinding dari Penyangga di Atas Meja

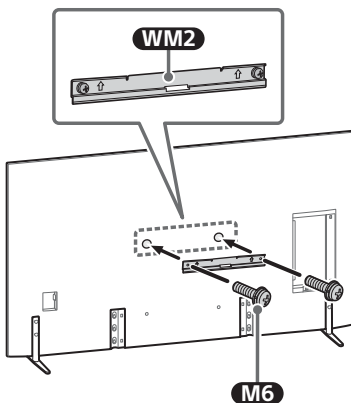
1 Lepas penutup penyangga dan penutup terminal.



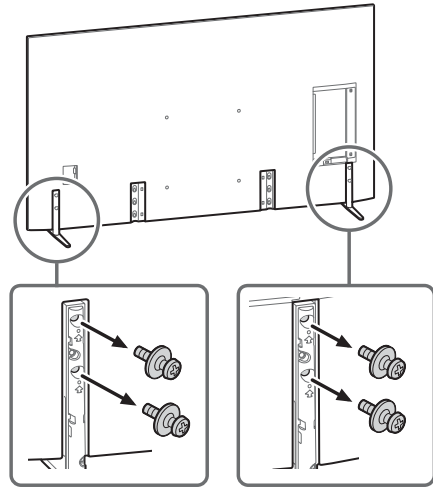
2 Lepas sekrup dari bagian belakang TV.



3 Pasang **WM2** ke TV menggunakan **M6**.



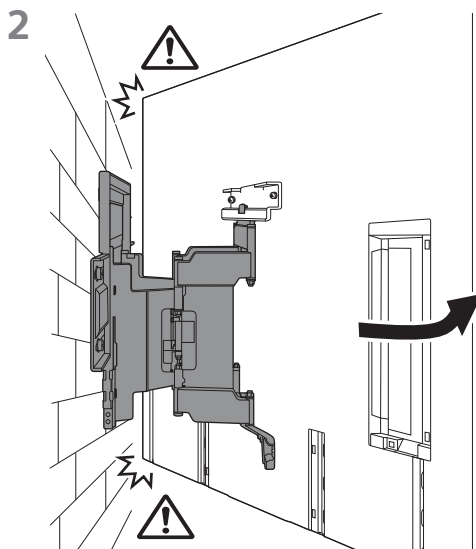
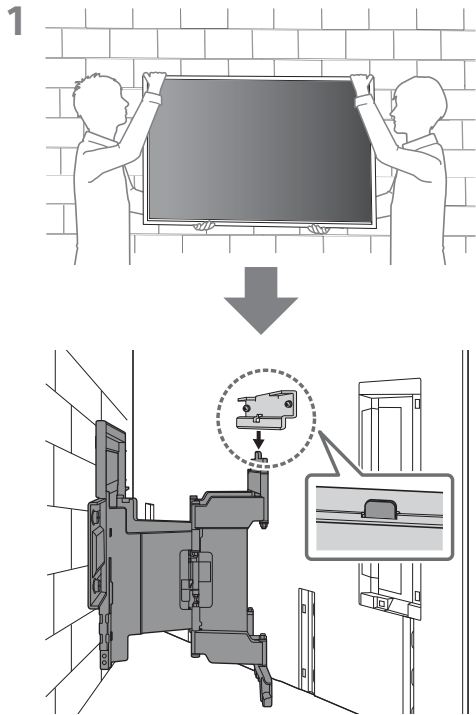
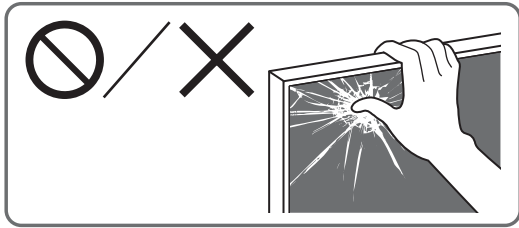
4 Lepaskan Penyangga di Atas Meja dari TV.



Catatan

- Waspadalah ketika mengangkat TV karena Penyangga Di Atas Meja tidak terpasang, Penyangga Di Atas Meja bisa terjatuh dan menyebabkan luka.
- Berhati-hatilah ketika melepaskan Penyangga Di Atas Meja dari TV untuk mencegahnya terjatuh dan merusak permukaan tempat TV ditempatkan.

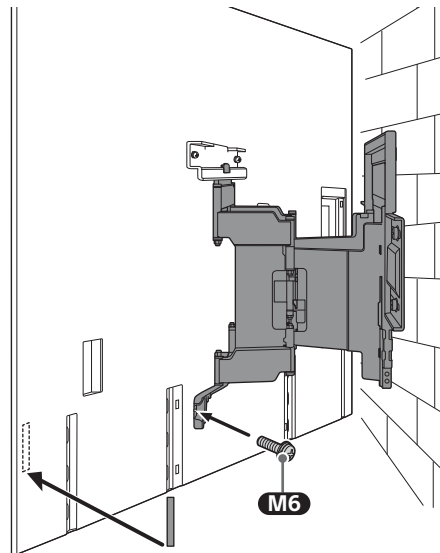
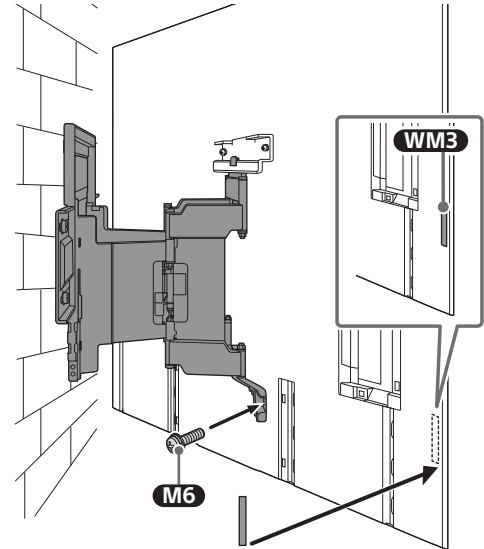
Memasang TV pada dinding

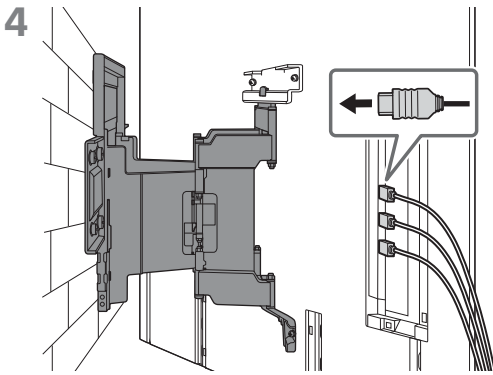


3 Sekrup sisi kiri dan kanan Braket Penyangga Dinding menggunakan **M6** dan pasang **WM3**.

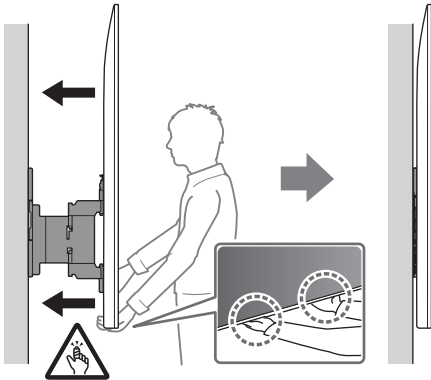
Catatan

- Jangan memasang **WM3** pada label.



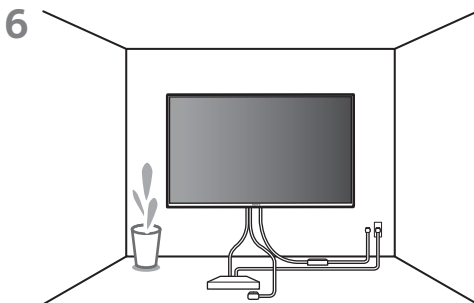


5 Saat memindahkan TV, pegang erat-erat dari bawah.



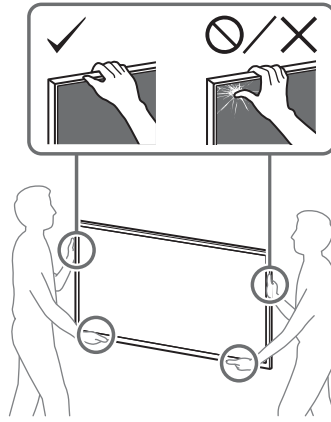
Catatan

- TV mungkin tidak dapat didekatkan ke dinding tergantung pada tipe dan jumlah kabel yang terpasang. Kondisi seperti ini bukan malfungsi.



PERINGATAN

- Diperlukan dua orang atau lebih (tiga orang atau lebih untuk TV 189,3 cm (75 inci) dan lebih besar) untuk mengangkat set TV yang besar (kecuali Mesir). Diperlukan dua orang atau lebih (tiga orang atau lebih untuk TV 75 inci (189,3 cm) dan lebih besar) untuk mengangkat set TV yang besar (Mesir saja).



Konfirmasikan selesainya pemasangan

Periksa poin-poin berikut ini.

- Kawat dan kabel tidak terpuntir atau terjepit.

PERINGATAN

- Penempatan kabel listrik yang tidak benar, dll., dapat menimbulkan kebakaran atau sengatan listrik melalui arus pendek. Pastikan untuk mengonfirmasi selesainya pemasangan demi keselamatan.

Informasi lain

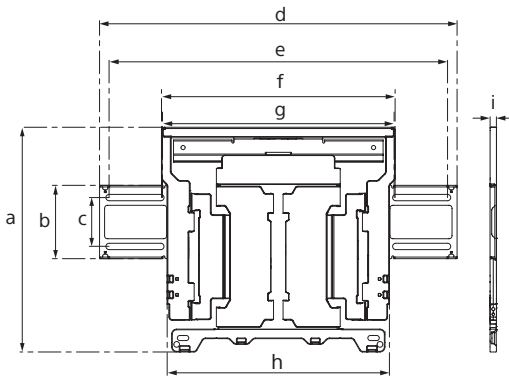
Untuk melepas TV, balik prosedur pemasangan sebelumnya.

PERINGATAN

- Diperlukan dua orang atau lebih (tiga orang atau lebih untuk TV 189,3 cm (75 inci) dan lebih besar) untuk mengangkat set TV yang besar (kecuali Mesir). Diperlukan dua orang atau lebih (tiga orang atau lebih untuk TV 75 inci (189,3 cm) dan lebih besar) untuk mengangkat set TV yang besar (Mesir saja).

Spesifikasi

WM1



Dimensi: (Perkiraan) [mm]

a : 354

b : 116

c : 77

d : 563

e : 533

f : 370

g : 368

h : 350

i : 11

Berat (hanya alas): (Perkiraan) [kg]

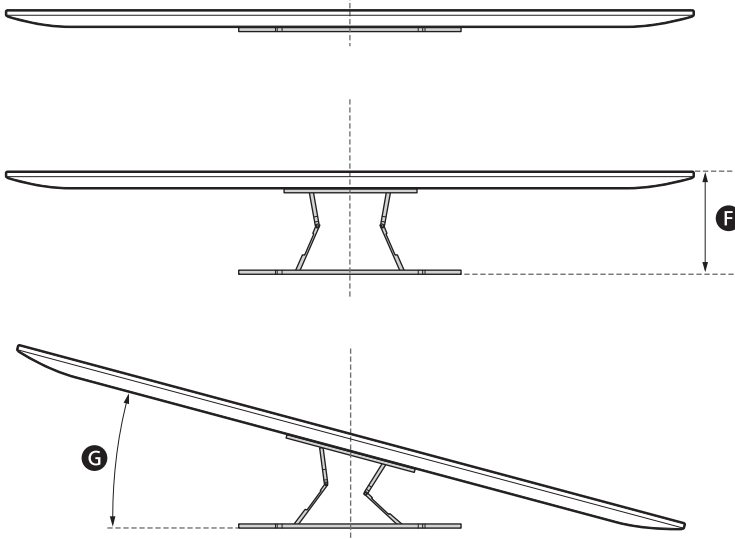
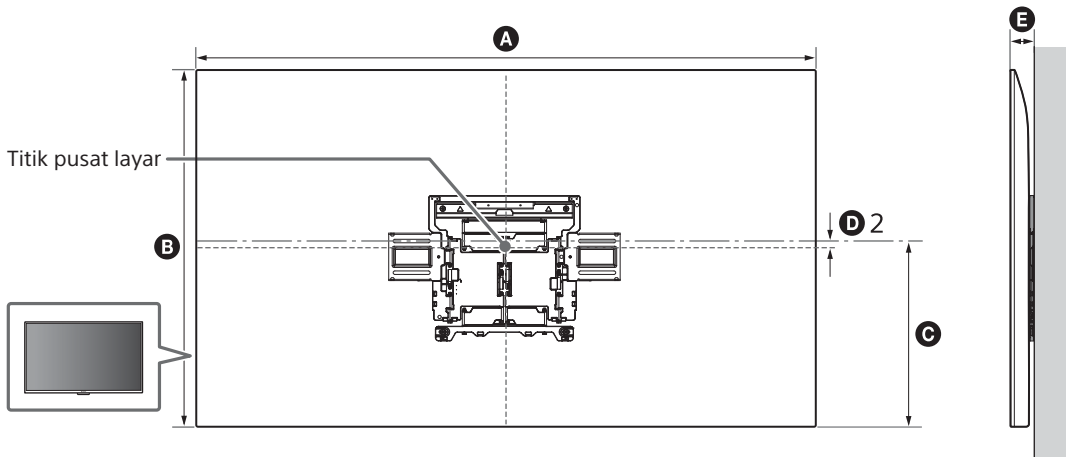
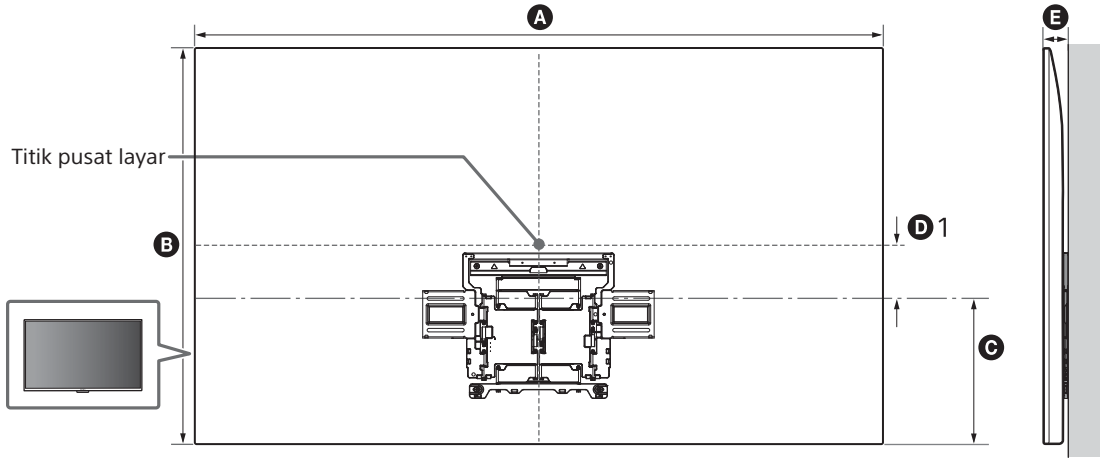
3,0

Rancangan dan spesifikasi ini dapat diubah sewaktu-waktu tanpa pemberitahuan.

Referensi

Pengukuran untuk pemasangan Braket Penyangga Dinding di dinding

Angka di dalam tabel bisa sedikit berbeda tergantung pada pemasangan.



(mm)

Nama Model	A	B	C	D 1	D 2	E	F ^{*1}	G ^{*1} (°)
K-77XR8x	1 713	984	362	139	–	48	251,4	12
K-65XR8x	1 442	829	362	57	–	48	250,8	17
K-55XR8x	1 223	706	362	–	3	48	250,8	19

*1 (Perkiraan)

Diimport oleh:

PT SONY INDONESIA
Gedung Wisma GKBI Lt. 23 Suite 2301
Jl. Jend Sudirman No. 28 Tanah Abang, Jakarta Pusat
DKI Jakarta Raya - 10210

<https://www.sony.co.id>

מידע להתקנה לשימוש במתלה קיר (SU-WL850) של Sony

דגמים נתמכים*1:

*1 בשמות הדגמים בפועל, "x"/"xx" מציין מספרים ו/או תווים ספציפיים לכל דגם.

K-77XR8x / 65XR8x / 55XR8x

ללקוחות

להגנה על המוצר ומטעמי בטיחות, Sony ממליצה מאוד שהתקנת הטלוויזיה תבוצע על-ידי סוכנים או קבלנים מורשים של Sony. אל תנסה לבצע את ההתקנה בעצמך.

לסוכני Sony וקבלנים

יש להקפיד על בטיחות מלאה במהלך ההתקנה, פעילויות תחזוקה שגרתיות ובדיקות של המוצר.

נדרשת מומחיות מספקת להתקנת המוצר, בייחוד לצורך קביעת חוזק הקיר לנשיאת משקל הטלוויזיה. יש להקפיד שחיבור המוצר לקיר יבוצע על-ידי סוכני Sony או קבלנים מורשים שלה, ולהקפיד על בטיחות נאותה במהלך ההתקנה. Sony אינה אחראית לנזקים או פגיעות גופניות שנגרמים בשל טיפול שגוי או התקנה לא הולמת.

לשם בטיחות ולהתקנה נכונה, יש לבצע את ההוראות שבמדריך ההתקנה של מתלה הקיר, את ההנחיות שבמדריך ההגדרה להתקנת הטלוויזיה, ואת ההוראות של מדריך זה.

תודה שרכשת מוצר זה.

ללקוחות

התקנת הטלוויזיה על הקיר



נדרשת התקנה מקצועית

רק מתקין מקצועי שהוכשר לקבוע את חוזק הקיר להרכבת משקל הטלוויזיה יכול להתקין מוצר זה. אם הטלוויזיה לא תאובטח כהלכה במהלך ההתקנה, היא עלולה ליפול ולגרום לחבלה חמורה. Sony אינה אחראית לכל נזק או חבלה שנגרמו בשל טיפול לא נכון או התקנה שגויה, או התקנת כל מוצר אחר שאינו צוין. זכויותך המועגונות בחוק (אם קיימות) לא יושפעו.

לספקים של Sony

נדרשת מומחיות על-מנת להתקין מוצר זה. קרא היטב את מדריך ההוראות הזה כדי לבצע את עבודת ההתקנה בבטחה. Sony אינה אחראית לכל נזק או פגיעה שתיגרם כתוצאה מטיפול או התקנה בלתי נאותים. מסור חוברת זו ללקוח לאחר ההתקנה.

מדריך הוראות זה מראה את הטיפול הנכון במוצר ואמצעי זהירות חשובים הנחוצים למניעת תאומות. באחריותך לקרוא ולהבין לעומק את כל ההוראות שבמדריך ההוראות הזה ולבצע אותן. אם לא תעשה זאת ייתכנו חבלות גופניות חמורות או נזק לרכוש, שעלולים לבטל את האחריות. שמור את המדריך לעיון עתידי.

התכנון של מוצרי Sony מתבצע תוך מחשבה על בטיחות. שימוש לא נכון במוצרים עלול לגרום לפגיעה חמורה בעקבות שריפה, התחשמלות, התחפכות המוצר או נפילתו. הקפד על נקיטת אמצעי זהירות למניעת תאונות שכאלה.

זהירות

המוצרים המפורטים

מתלה הקיר מיועד לשימוש רק עם הטלוויזיות המפורטות. עבור מכשירי טלוויזיה, עיין במדריך העיון הרלוונטי כדי לאמת שניתן להשתמש במתלה הקיר.

ללקוחות

אזהרה

אי הקפדה על אמצעי הזהירות הבאים עלולה לגרום לפגיעה חמורה או מוות כתוצאה משריפה, התחשמלות או נפילת המוצר.

הקפד שההתקנה תבוצע על-ידי סוכנים מורשים והרחק ילדים בזמן ההתקנה.

- התקנה לא נכונה של מתלה הקיר או הטלוויזיה עלולים לגרום לתאונות הבאות. הקפד שההתקנה תבוצע על-ידי קבלנים מורשים.
- הטלוויזיה עלולה ליפול ולגרום לפגיעה חמורה כגון חבורה או שבר.
- אם הקיר שעליו מותקן מתלה הקיר אינו יציב, אינו אחיד או אינו מאונך לרצפה, היחידה עלולה ליפול ולגרום לפגיעה או נזק לרכוש. הקיר צריך לתמוך במשקל של לפחות פי שישה ממשקל הטלוויזיה.
- עיין במדריך העיון של הטלוויזיה כדי לדעת מה משקלה.
- אם התקנת מתלה הקיר על הקיר אינה מספיק איתנה, היחידה עלולה ליפול ולגרום לפגיעה או נזק לרכוש.

הקפד שהעברת הטלוויזיה או הסרתה תבוצע על-ידי קבלנים מורשים.

אם העברת הטלוויזיה או הסרתה תבוצע על-ידי אנשים שאינם קבלנים מורשים, היא עלולה ליפול ולגרום לפגיעה או נזק לרכוש. יש צורך בשני אנשים או יותר (שלושה אנשים או יותר עבור טלוויזיות שגודלן 189.3 ס"מ (75 אינצ'ים) או יותר מכך) כדי להוביל טלוויזיה גדולה (למעט מצרים).

יש צורך בשני אנשים או יותר (שלושה אנשים או יותר עבור טלוויזיות שגודלן 75 אינצ'ים (189.3 ס"מ) ואו יותר מכך) כדי להוביל טלוויזיה גדולה (מצרים בלבד).

אל תסיר ברגים וכו' לאחר תליית הטלוויזיה.

אם תעשה כן, הטלוויזיה עלולה ליפול ולגרום לפגיעה או לנזק לרכוש.

אל תבצע שינויים לחלקים של מתלה הקיר.

אם תעשה כן, מתלה הקיר עלול ליפול ולגרום לפגיעה או לנזק לרכוש.

את תתלה ציוד זולת המוצר המפורט.

מתלה הקיר מיועד לשימוש רק עם המוצר המפורט. אם תתלה ציוד השונה מזה שפורט, הוא עלול ליפול או להישבר ולגרום לפגיעה או נזק לרכוש.

אל תתלה שום עומס זולת הטלוויזיה על מתלה הקיר.

אל תטלטל את הטלוויזיה

שמאלה/ימינה, למעלה/למטה.

אם תעשה כן, הטלוויזיה עלולה ליפול ולגרום לפגיעה או לנזק לרכוש.

אל תישען על הטלוויזיה או תתלה ממנה.

אל תישען על הטלוויזיה או תיתלה עליה שכן היא עלולה ליפול עליך ולגרום לפגיעה חמורה.

זהירות

אי הקפדה על אמצעי הזהירות הבאים עלולה להוביל לפגיעה או לנזק לרכוש.

- יש להיזהר שלא לבצט את אצבעותיך בעת טיפול במתלה לקיר או בעת סיבוב הטלוויזיה.
- יש להיזהר בעת סיבוב מכשיר הטלוויזיה על מנת שלא לפגוע באנשים הנמצאים בקרבתה.
- יש לוודא שאתה מאחסן חלקים לא נחוצים במקום בטוח לשימוש עתידי.
- יש להרחיק אותם מילדים.

אין לטפל המוצר בכוח מופרז במהלך הניקוי או התחזוקה.

אל תפעיל כוח מופרז על החלק העליון של הטלוויזיה. אם תעשה כן, הטלוויזיה עלולה ליפול ולגרום לפגיעה או לנזק לרכוש.

אסור להניח מוצר זה בקרבת התקנים רפואיים.

מוצר זה (כולל אביזריו) כולל מגנטים שעלולים להפריע לפעולת קוצבי לב, שסתום נקז ניתן לתכנות לטיפול במיימת ראש, או התקנים רפואיים אחרים. אסור להניח מוצר זה בקרבת אנשים המשתמשים בהתקנים רפואיים כאלו. התייעץ ברופא לפני שימוש במוצר אם אתה משתמש בהתקן רפואי כלשהו כזה.

הרחק מילדים או מאנשים הנמצאים תחת פיקוח.

מוצר זה (כולל אביזריו) כולל מגנטים. בליעת מגנטים עלולה לגרום לסיכון חמור, כגון סכנת חנק או פגיעה במעי. אם נבלע מגנט, פנה מיד לרופא.

אמצעי זהירות

- אם תשתמש בטלוויזיה המותקנת על מתלה קישר למשך זמן רב, צבע הקיר מאחורי או מעל לטלוויזיה עלול לשנות את צבעו או שהטפט עלול להתנתק מהקיר, בהתאם לחומר שממנו עשוי הקיר.
- הסרת מתלה הקיר לאחר התקנתו תשאיר חורי ברגים בקיר.
- אין להשתמש במתלה הקיר במקום הנתון לרעידות מכניות.

התקנת מתלה הקיר

לספקים של Sony

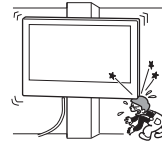
אזהרה

הוראות הבאות מיועדות לספקי Sony בלבד. הקפד לקרוא את אמצעי הזהירות המתוארים למעלה ושים לב במיוחד לבטיחות במהלך ההתקנה, התחזוקה והבדיקה של מוצר זה.

הקפד להשתמש בברגים ובחלקי החיבור המסופקים בהתאם להוראות הכלולות במדריך הוראות זה. אם תשתמש בחלקים חלופיים, הטלויזיה עלולה ליפול ולגרום לפציעה גופנית או לנזק לרכוש.

אל תתקין את מתלה הקיר על משטחי קירות שבהם פינות או צידי הטלויזיה בולטים פני הקיר.

אל תתקין את מתלה הקיר על משטחי קירות כגון עמודים שבהם פינות או צידי הטלויזיה בולטים משטח פני הקיר. פגיעה של אדם או עצם כלשהו בפינה או בצד הבולטים של הטלויזיה, עלולה לגרום לפציעה או לנזק לרכוש.

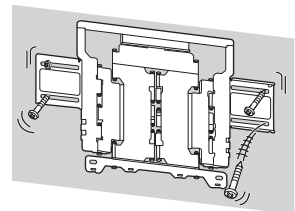


אל תתקין את הטלויזיה מעל או מתחת למזגן.

אם הטלויזיה תיחשף לנזילות מים או לזרם אוויר ממוזגן למשך זמן ארוך, עלולה להיגרם שריפה, התחשמלות או תקלה בטלויזיה.

הקפד להתקין היטב את מתלה הקיר לקיר תוך הקפדה על ההוראות שבמדריך ההוראות.

אם הברגים יהיו רופפים או יפלו, מתלה הקיר עלול ליפול ולגרום לפציעה או נזק לרכוש. הקפד להשתמש בברגים המתאימים לחומר שממנו עשוי הקיר והתקן את היחידה היטב באמצעות ארבעה בברגים 8 מ"מ (או שווים ערך).



הקפד להרכיב כהלכה את הזווית לפי התהליך המתואר במדריך הוראות זה.

אם הברגים יהיו רופפים או ייפלו, הטלויזיה עלולה ליפול ולגרום לפציעה גופנית או לנזק לטלויזיה.

הקפד להדק את הברגים היטב במקומם המיועז.

אם לא תעשה כן, הטלויזיה עלולה ליפול ולגרום לפציעה גופנית או לנזק לטלויזיה.

שים לב לא לזעזע את הטלויזיה במהלך ההתקנה.

זעזוע הטלויזיה עלול לגרום לנפילתה או שבירתה. פעולה זו עלולה לגרום לפציעה.

הקפד להתקין את הטלויזיה על קיר מאונך וישר.

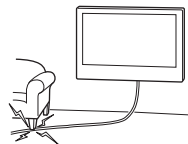
אם לא תעשה כן, הטלויזיה עלולה ליפול ולגרום לפציעה.

לאחר התנה נאותה של הטלויזיה, הדק היטב את הכבלים.

אם אנשים או עצמים ייתקלו בכבלים, עלולה להיגרם פציעה או עלול להיגרם נזק לטלויזיה.

אל תאפשר לכבל המתח או לכבל המחבר להיצבט.

אם כבל המתח או הכבל המחבר צבויים בין היחידה לבין הקיר או שהם מכופפים או מסובבים בכוח, המוליכים הפנימיים עלולים להיחשף ולגרום לקצר או נתק חשמלי. דבר זה עלול לגרום לשריפה או להתחשמלות.



הברגים הנחוצים לקיבוע מתלה הקיר לקיר אינם מסופקים.

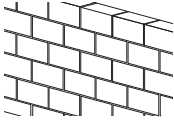
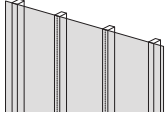
השתמש בברגים המתאימים לחומר שממנו עשוי הקיר בעת התקנת מתלה הקיר.

לפני שמתחילים

- באיור של מסך הטלוויזיה או של במדריך הזה נראות דוגמאות שמטרתן לספק הסברים ברורים בנוגע להפעלה. ולכן האיורים אולי ייראו שונים מהטלוויזיה שברשותך.

ממה עשוי הקיר שלך?



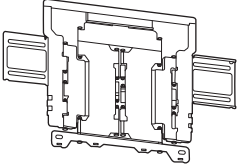
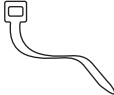

ראשית, בדוק את סוג הקיר עליו תותקן הטלוויזיה.

<p>בטון או בלוקים עשויים בטון</p>  <p>אמצעי זהירות</p> <ul style="list-style-type: none"> • התקן את מתלה הקיר ישירות על קיר הבטון. • ודא שעובי קיר הבטון הוא לפחות 203 מ"מ. • ודא שגודל כל אחד מבלוקי הבטון הוא לפחות 203 מ"מ × 203 מ"מ × 406 מ"מ. 	<p>קיר גבס עם קורות תומכות</p>  <p>אמצעי זהירות</p> <ul style="list-style-type: none"> • עובי מרבי של קיר הגבס: 16 מ"מ. • ודא שהגודל הפנימי של קורת העץ הוא לפחות 51 מ"מ × 102 מ"מ בפועל או 38 מ"מ × 89 מ"מ נומינלי. • שמור על מרווח אופקי מינימלי של 406 מ"מ בין הברגים.
--	--

בדיקת החלקים

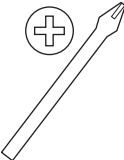
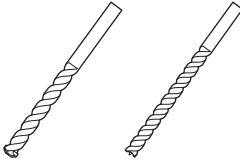


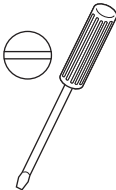
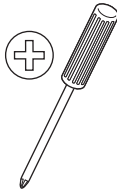
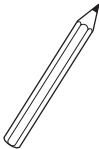
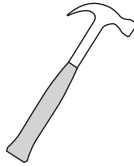
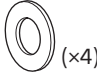


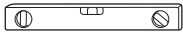
פריטים המסופקים עם דגם SU-WL850

- ודא שכל החלקים נמצאים.

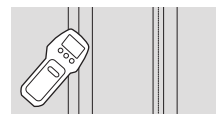
<p>(x4) WM3</p> 	<p>(x1) WM2</p> 	<p>(x1) WM1</p> 
	<p>(x6) WT1</p> 	<p>(x4) M6</p> 

הכנה להתקנה

- לפני ההתקנה, וודא שיש לידך את מדריך העיון של הטלויזיה ואת מדריך ההגדרה להתקנת הטלויזיה.
- ודא את מיקום ההתקנה של הטלויזיה שלך.
- הכן ארבעה ברגים בקוטר 8 מ"מ וארבע דסקיות מתאימות (לא סופק). בחר ברגים המתאימים לחומר שממנו עשוי הקיר.
- נא להכין את הכלים הבאים :

	 <p>10 מ"מ 5.5 מ"מ</p>		 <p>1*</p>
 <p>3*</p> <p>1.5 ניוטון/מטר { 15 קג"כ ס"מ }</p>	 <p>1.5 ניוטון/מטר { 15 קג"כ ס"מ }</p>		 <p>2*</p>
 <p>4*</p> <p>(x4)</p>	 <p>4*</p> <p>(x4)</p> <p>8 מ"מ × 60 מ"מ</p>	 <p>2*</p> <p>(x4)</p>	

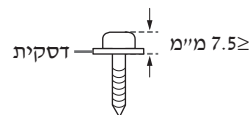
1* אך ורק לקירות גבס עם קורות תומכות

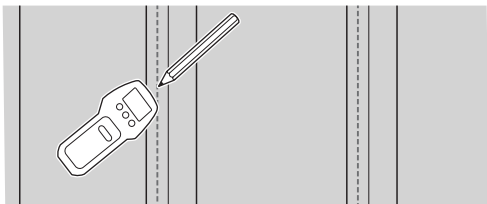


2* אך ורק לקיר בטון או קיר בלוקים עשויים בטון

3* בהתאם לדגמים

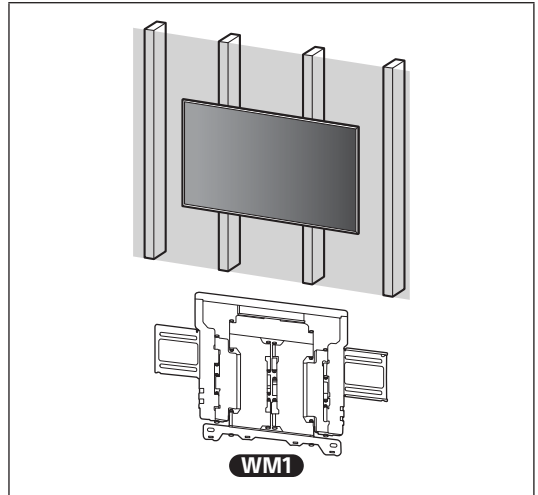
4* היזהר בעת בחירת ברגים ודסקיות



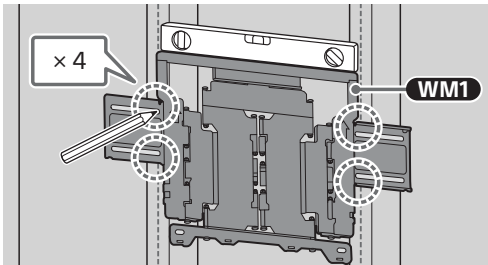


2

A התקנת מתלה הקיר על קיר גבס עם קורות תומכות



3 הצמד את WM1 אל הקיר בצורה נאותה וישרה וסמן ארבעה סימונים על פי מיקומי הקורות התומכות.



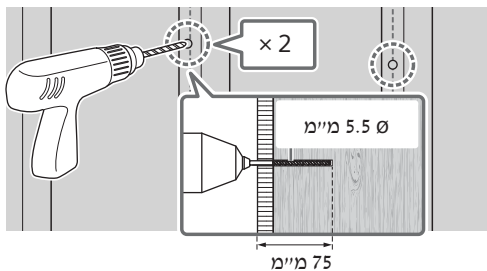
הערה

- יש להשתמש במפלס כדי לבדוק אם WM1 ישר.

התקנת מתלה הקיר על הקיר

4 קדח חורים מובילים עליונים במקום הסימונים.

ודא שהמיקום על הקיר לקידוח החורים הוא חזק מספיק כדי לשאת לפחות שש פעמים את משקל הטלוויזיה.



הערה

- יש לקדוח חורים מובילים בעומק של 75 מ"מ, בעזרת ראש מקדח 5.5 מ"מ.

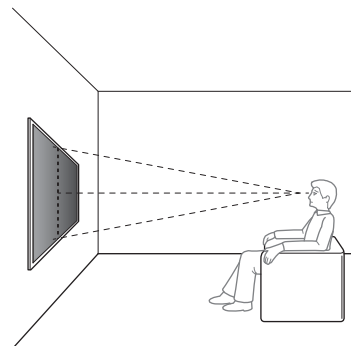
1 החלט על מיקום ההתקנה.

ודא שיש על הקיר מספיק מקום לאכלוס הטלוויזיה ושבאפשרותו לתמוך במשקל של לפחות פי שישה מזה של הטלוויזיה.

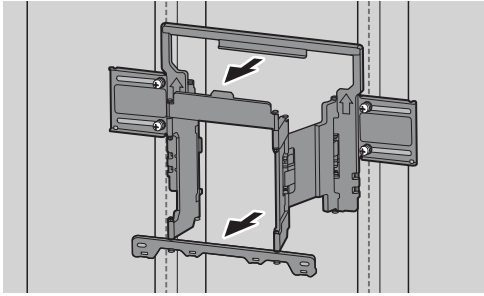
- עיינו ב-"מדידה להתקנת מתלה הקיר" בעמוד 18.
- לקבלת פרטי המשקל של הטלוויזיה, עיין במדריך העיון.

הערה

- כאשר הטלוויזיה מותקנת על הקיר, החלק העליון שלה נוטה מעט לפניכם.
- אנחנו ממליצים לבדוק את מיקום הטלוויזיה בסביבת הצפייה.



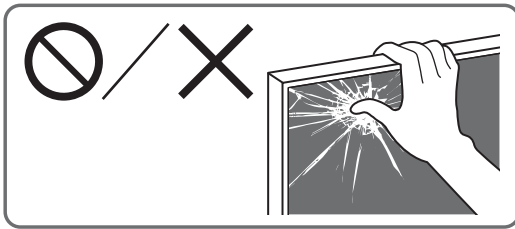
8 משוך את זרוע מתלה הקיר החוצה עד הסוף.



הכנה להתקנת הטלויזיה

הערה

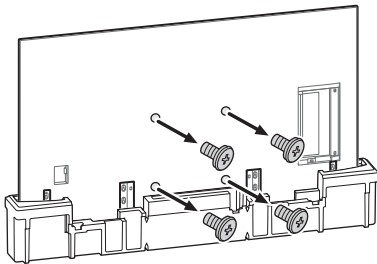
- ודא שאתה מאחסן את ברגים שהוסרו וחלקים בהם לא השתמשת במקום בטוח, הרחק מהישג ידם של ילדים.



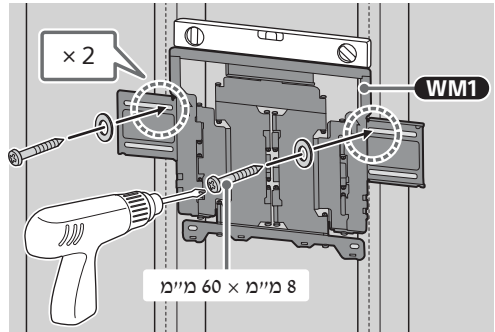
התקנת הטלויזיה לקיר מהקרטון*1

1* רק באזורים/במדינות/בדגמים מסוימים.

1 הסר את הברגים מהחלק האחורי של הטלויזיה.



5 התקן את **WM1** על הקיר בעזרת ברגים מתאימים (לא סופק) ודסקיות מתאימות (לא סופק).



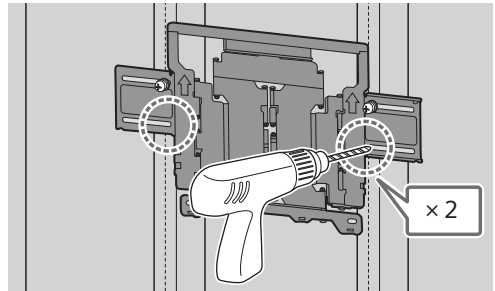
הערה

- יש להשתמש במפלס כדי לבדוק אם **WM1** ישר.

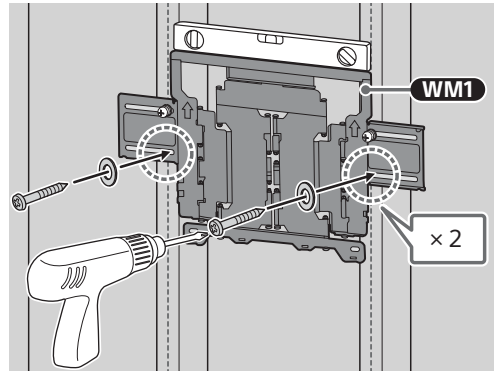
אמצעי זהירות

- אין להדק את בורג העץ בגודל 8 מ״מ x 60 מ״מ. הידוק באופן לא נכון עלול להפחית את כוח הנשיאה של בורג העץ בגודל 8 מ״מ x 60 מ״מ.

6 קדח חורים מובילים תחתונים בסימונים. (עיין בשלב 4 להוראות הקדיתה).



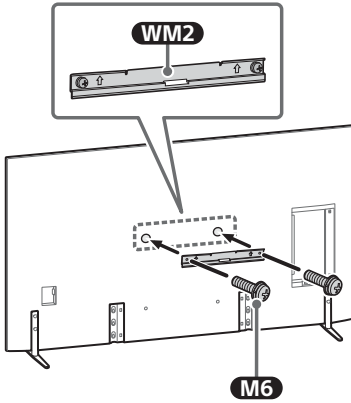
7 הרכב את הברגים והדסקיות המתאימים בחורים.



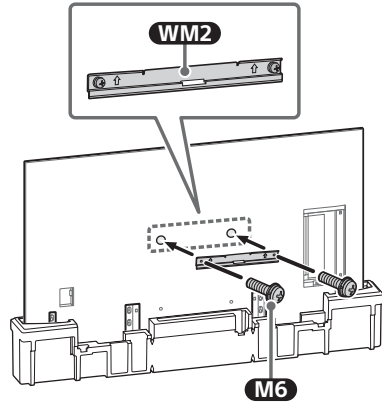
הערה

- יש להשתמש במפלס כדי לבדוק אם **WM1** ישר.

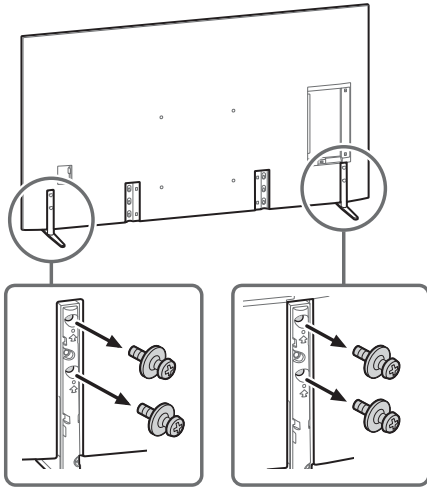
3 חבר את WM2 אל הטלויזיה בעזרת M6



2 חבר את WM2 אל הטלויזיה בעזרת M6



4 נתק את המעמד השולחני מן הטלויזיה.

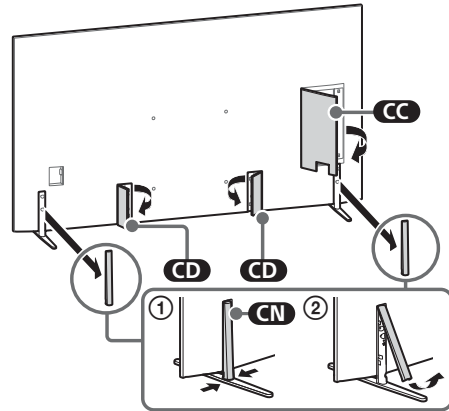


הערה

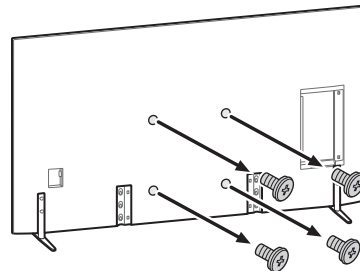
- היזהר בעת הרמת הטלויזיה כאשר המעמד השולחני מנותק, המעמד השולחני עלול ליפול ולגרום לפציעה גופנית.
- שים-לב בעת הסרת המעמד השולחני מהטלויזיה כדי למנוע את נפילתו, שכן, הדבר עלול לגרום נזק לפני השטח שעליו מונחת הטלויזיה.

התקנת הטלויזיה לקיר מהמעמד השולחני

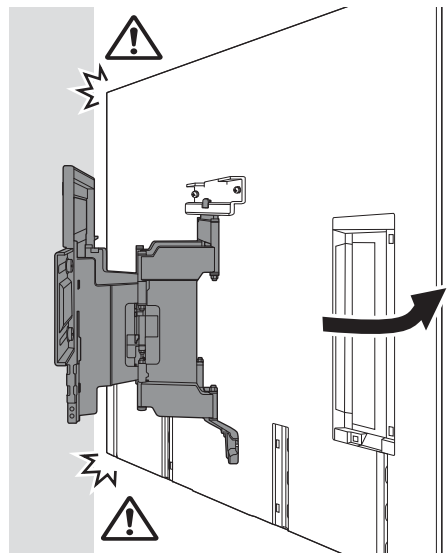
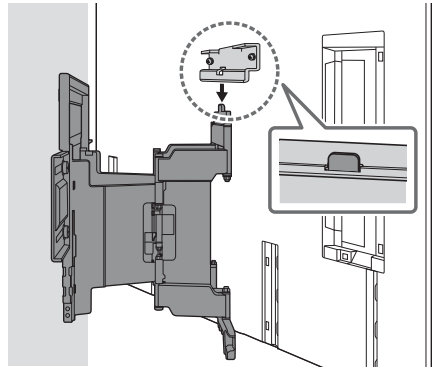
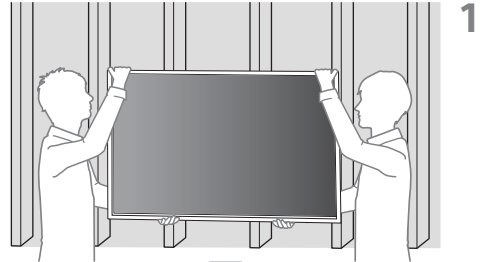
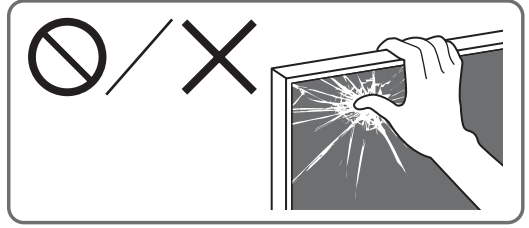
1 הסר כיסויי המעמד ואת כיסויי החיבור.



2 הסר את הברגים מהחלק האחורי של הטלויזיה.

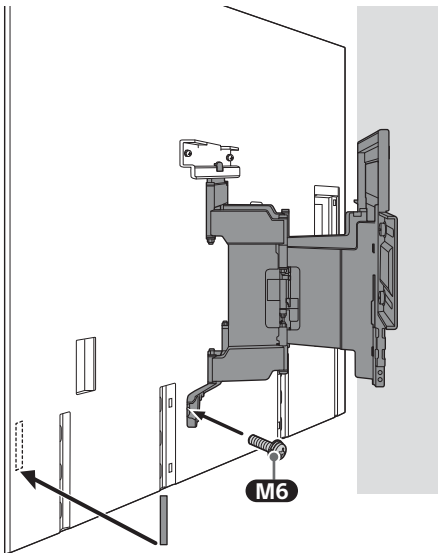
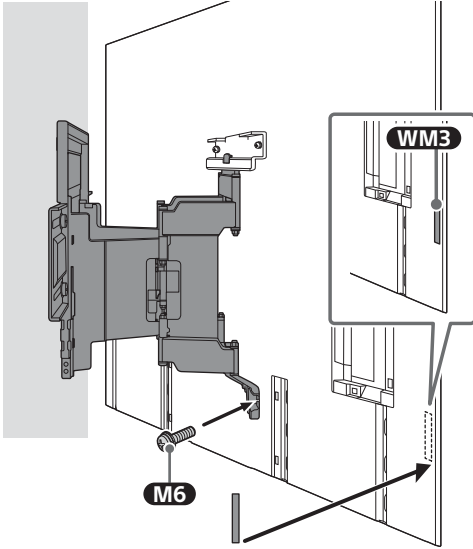


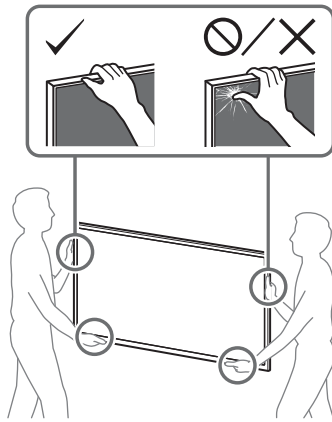
התקנת הטלויזיה על-גבי הקיר



3 הברג את צד ימין ושמאל של מתלה הקיר באמצעות **M6** וחבר את **WM3**.

הערה
 • אין לחבר **WM3** אל התוויות.





אישור השלמת ההתקנה

בדוק את הנקודות הבעות.

- הכבל לא מסובב או צבוט.

אזהרה

• מיקום לא נכון של כבל המתח וכו' עלול לגרום לשריפה או התחשמלות כתוצאה מקצר. הקפד להשלים את ההתקנה למען הבטיחות.

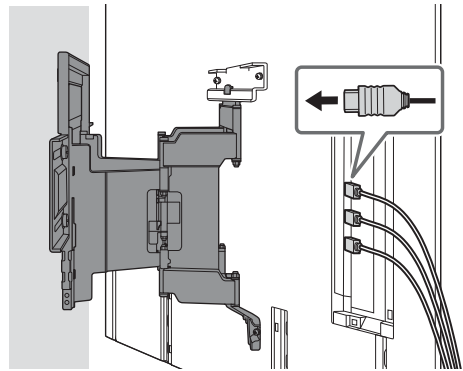
מידע אחר

בעת הסרת הטלוויזיה, בצע את תהליך ההתקנה במהופך.

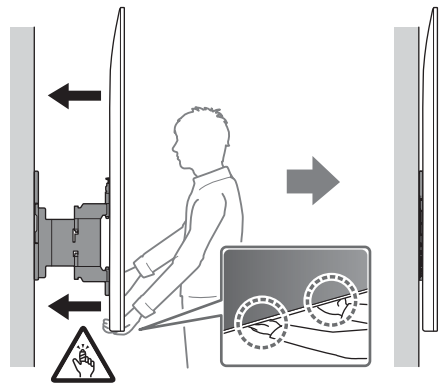
אזהרה

• יש צורך בשני אנשים או יותר (שלושה אנשים או יותר עבור טלוויזיות שגודלן 189.3 ס"מ (75 אינצ'ים) או יותר מכך) כדי להוביל טלוויזיה גדולה (למעט מצרים).
יש צורך בשני אנשים או יותר (שלושה אנשים או יותר עבור טלוויזיות שגודלן 75 אינצ'ים (189.3 ס"מ) ואו יותר מכך) כדי להוביל טלוויזיה גדולה (מצרים בלבד).

4



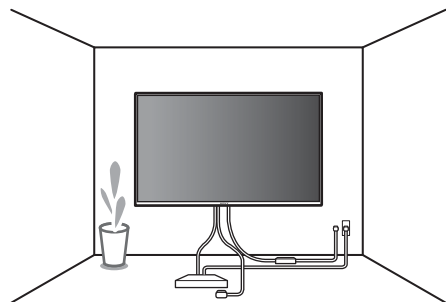
5 בעת העברת הטלוויזיה, יש להחזיק אותה בחוזקה מהתחתית.



הערה

• קרבתה של הטלוויזיה לקיר תיקבע לפי סוג הכבלים ומספר הכלים שמחוברים אליה. זו אינה תקלה.

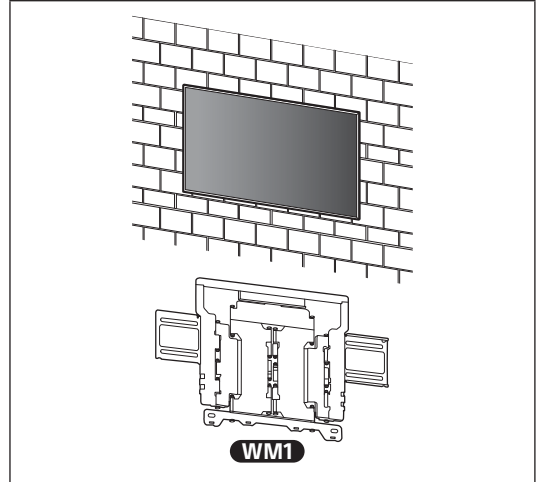
6



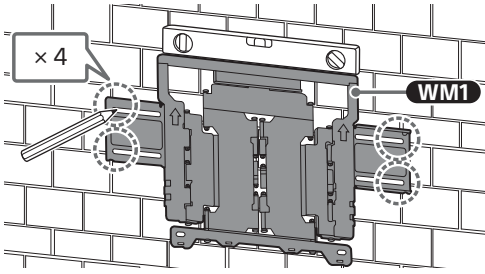
אזהרה

• יש צורך בשני אנשים או יותר (שלושה אנשים או יותר עבור טלוויזיות שגודלן 189.3 ס"מ (75 אינצ'ים) או יותר מכך) כדי להוביל טלוויזיה גדולה (למעט מצרים).
יש צורך בשני אנשים או יותר (שלושה אנשים או יותר עבור טלוויזיות שגודלן 75 אינצ'ים (189.3 ס"מ) ואו יותר מכך) כדי להוביל טלוויזיה גדולה (מצרים בלבד).

B חיבור מתלה הקיר אל קיר בטון או אל קיר בלוקים עשויים בטון



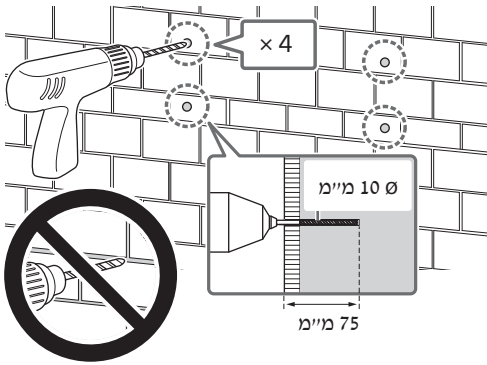
2 הצמד את WM1 על הקיר בצורה נאותה וישירה וסמן ארבעה סימונים.



הערה

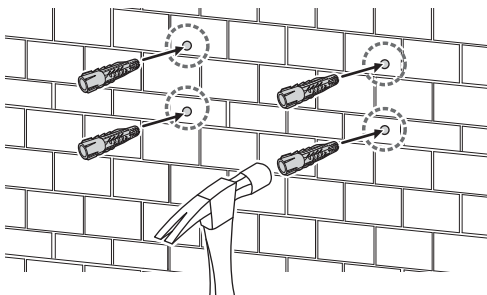
- יש להשתמש במפלס כדי לבדוק אם WM1 ישר.

3 יש לקדוח חורים ראשוניים בסימונים. ודא שהמיקום על הקיר לקידוח החורים הוא חזק מספיק כדי לשאת לפחות שש פעמים את משקל הטלוויזיה.



הערה

- יש לקדוח חורים מובילים בעומק של 75 מ"מ, בעזרת ראש מקדח 10 מ"מ.



4

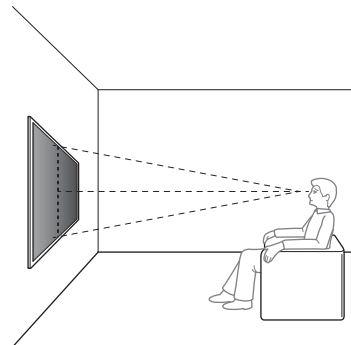
התקנת מתלה הקיר על הקיר

1 החלט על מיקום ההתקנה.

- ודא שיש על הקיר מספיק מקום לאכלוס הטלוויזיה ושבאפשרותו לתמוך במשקל של לפחות פי שישה מזה של הטלוויזיה.
- עיינו ב-"מדידה להתקנת מתלה הקיר" בעמוד 18.
- לקבלת פרטי המשקל של הטלוויזיה, עיין במדריך העיון.

הערה

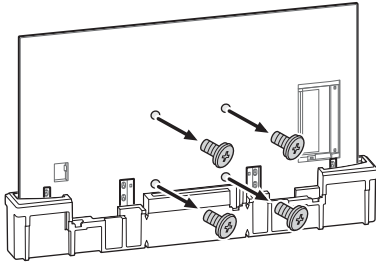
- כאשר הטלוויזיה מותקנת על הקיר, החלק העליון שלה נוטה מעט לפנים.
- אנחנו ממליצים לבדוק את מיקום הטלוויזיה בסביבת הצפייה.



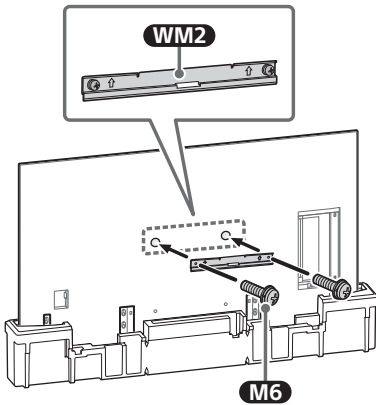
התקנת הטלויזיה לקיר מהקרטון*1

1* רק באזורים/במדינות/בדגמים מסוימים.

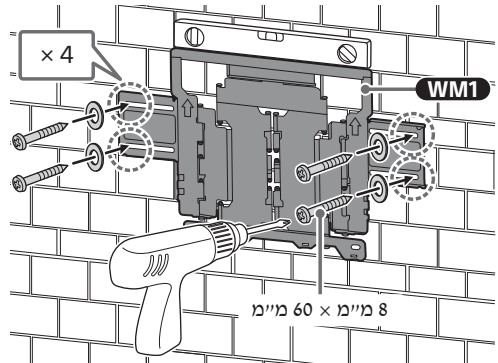
1 הסר את הברגים מהחלק האחורי של הטלויזיה.



2 חבר את WM2 אל הטלויזיה בעזרת M6.



5 התקן את WM1 על הקיר בעזרת ברגים מתאימים (לא סופק) ודסקיות מתאימות (לא סופק).



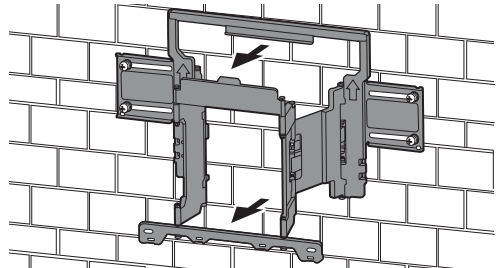
הערה

- יש להשתמש במפלס כדי לבדוק אם WM1 ישר.

אמצעי זהירות

- אין להדק את בורג העץ בגודל 8 מ"מ x 60 מ"מ. הידוק באופן לא נכון עלול להפחית את כוח הנשיאה של בורג העץ בגודל 8 מ"מ x 60 מ"מ.

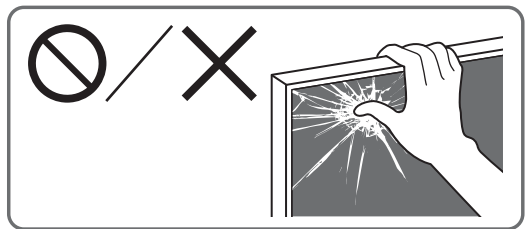
6 משוך את זרוע מתלה הקיר החוצה עד הסוף.



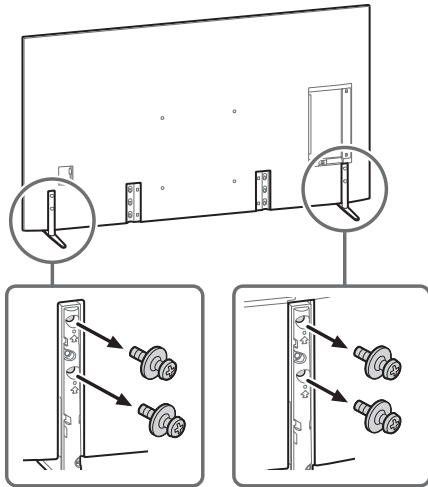
הכנה להתקנת הטלויזיה

הערה

- ודא שאתה מאחסן את ברגים שהוסרו וחלקים בהם לא השתמשת במקום בטוח, הרחק מהישג ידם של ילדים.



4 נתק את המעמד השולחני מן הטלוויזיה.

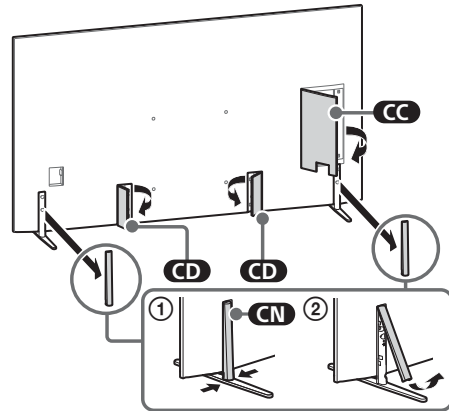


הערה

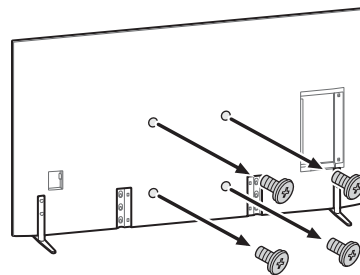
- היזהר בעת הרמת הטלוויזיה כאשר המעמד השולחני מנותק, המעמד השולחני עלול ליפול ולגרום לפציעה גופנית.
- שים לב בעת הסרת המעמד השולחני מהטלוויזיה כדי למנוע את נפילתו, שכן, הדבר עלול לגרום נזק לפני השטח שעליו מונחת הטלוויזיה.

התקנת הטלוויזיה לקיר מהמעמד השולחני

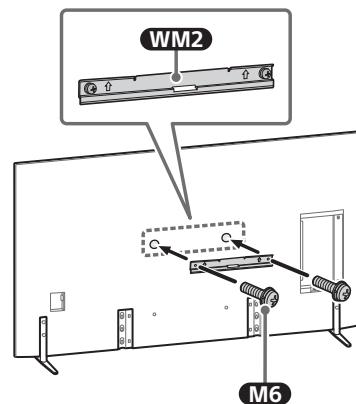
1 הסר כיסויי המעמד ואת כיסויי החיבור.



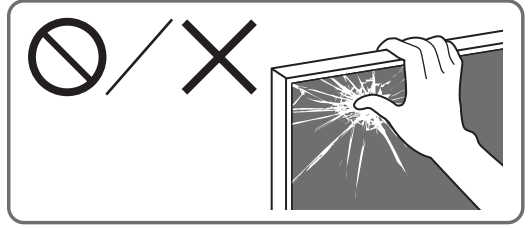
2 הסר את הברגים מהחלק האחורי של הטלוויזיה.



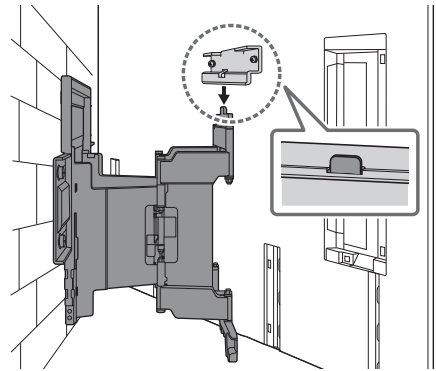
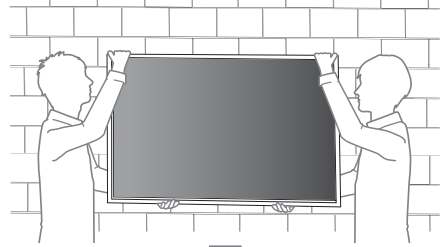
3 חבר את WM2 אל הטלוויזיה בעזרת M6.



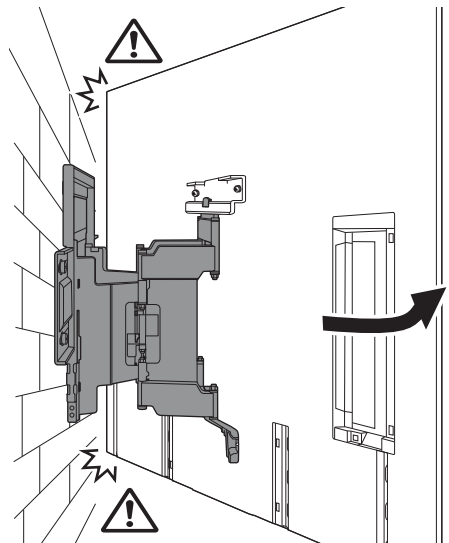
התקנת הטלויזיה על-גבי הקיר



1



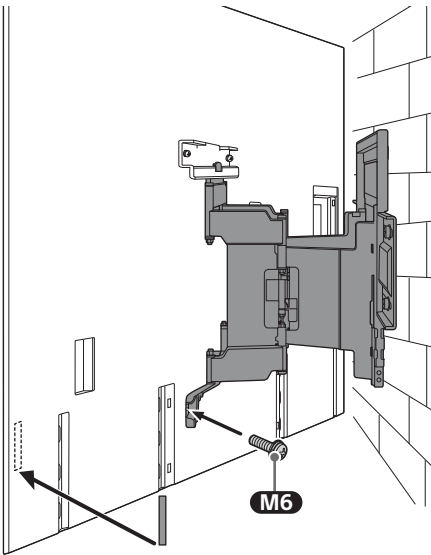
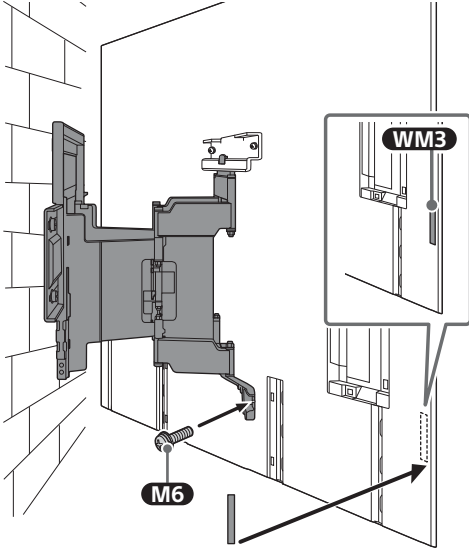
2

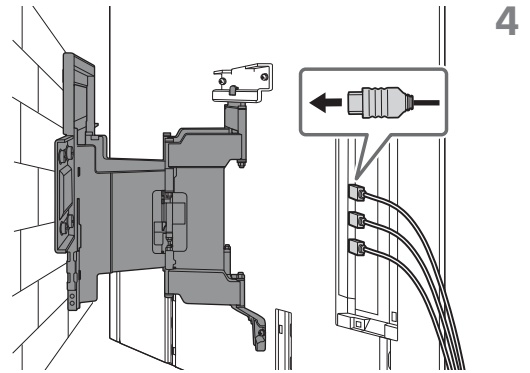
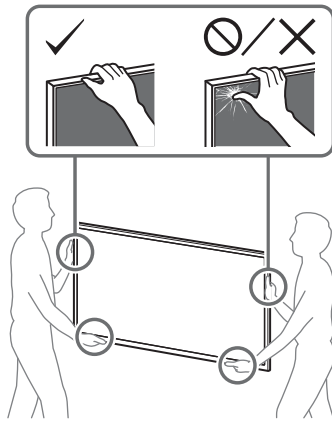


3

הברג את צד ימין ושמאל של מתלה הקיר באמצעות **M6** וחבר את **WM3**.

הערה
• אין לחבר **WM3** אל התוויות.





4

5 בעת העברת הטלוויזיה, יש להחזיק אותה בחוזקה מהתחתית.

אישור השלמת ההתקנה

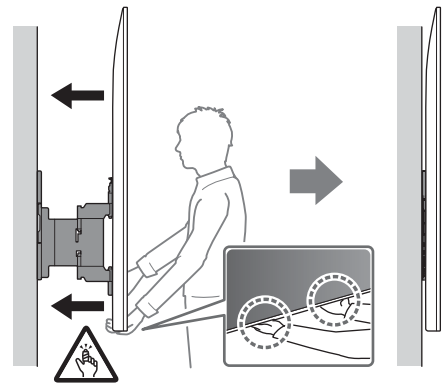
- בדוק את הנקודות הבעות.
- הכבל לא מסובב או צבוט.

אזהרה

- מיקום לא נכון של כבל המתח וכו' עלול לגרום לשריפה או התחשמלות כתוצאה מקצר. הקפד להשלים את ההתקנה למען הבטיחות.

מידע אחר

בעת הסרת הטלוויזיה, בצע את תהליך ההתקנה במהופך.



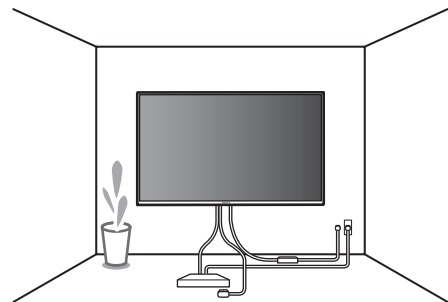
הערה

- קרבתה של הטלוויזיה לקיר תיקבע לפי סוג הכבלים ומספר הכלים שמחוברים אליה. זו אינה תקלה.

אזהרה

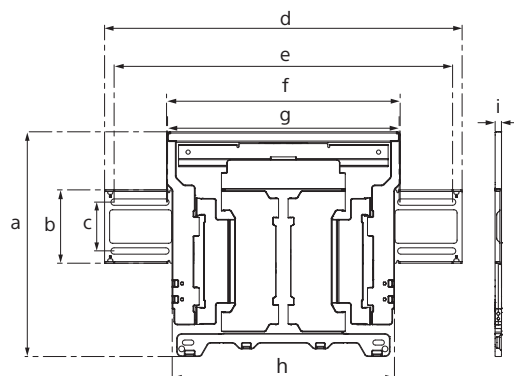
- יש צורך בשני אנשים או יותר (שלושה אנשים או יותר עבור טלוויזיות שגודלן 189.3 ס"מ (75 אינצ'ים) או יותר מכך) כדי להוביל טלוויזיה גדולה (למעט מצרים).
יש צורך בשני אנשים או יותר (שלושה אנשים או יותר עבור טלוויזיות שגודלן 75 אינצ'ים (189.3 ס"מ) ואו יותר מכך) כדי להוביל טלוויזיה גדולה (מצרים בלבד).

6



אזהרה

- יש צורך בשני אנשים או יותר (שלושה אנשים או יותר עבור טלוויזיות שגודלן 189.3 ס"מ (75 אינצ'ים) או יותר מכך) כדי להוביל טלוויזיה גדולה (למעט מצרים).
יש צורך בשני אנשים או יותר (שלושה אנשים או יותר עבור טלוויזיות שגודלן 75 אינצ'ים (189.3 ס"מ) ואו יותר מכך) כדי להוביל טלוויזיה גדולה (מצרים בלבד).



מידות: (בערך) [מ"מ]

354: a

116: b

77: c

563: d

533: e

370: f

368: g

350: h

11: i

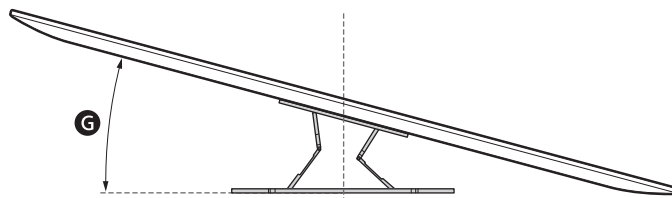
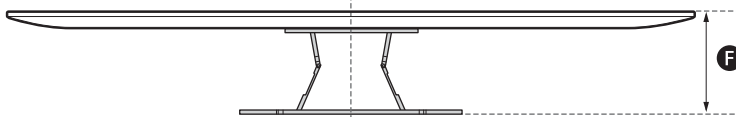
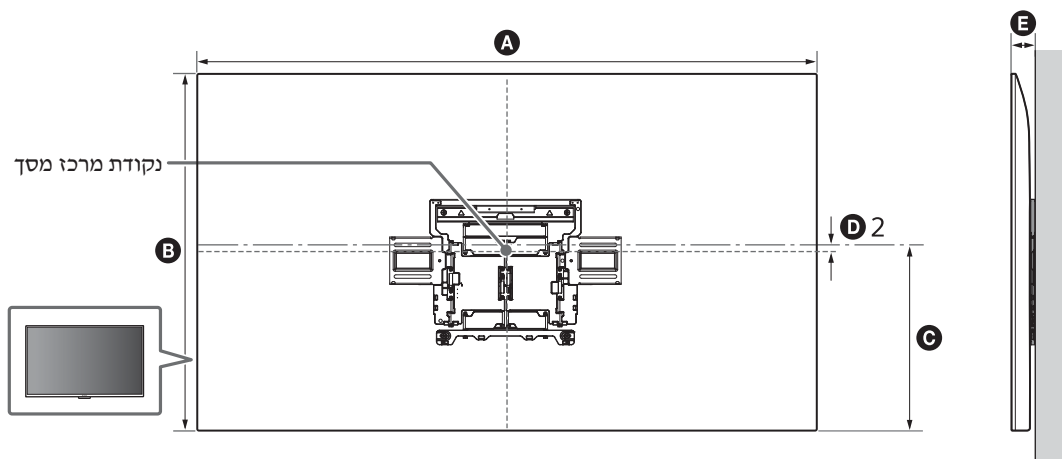
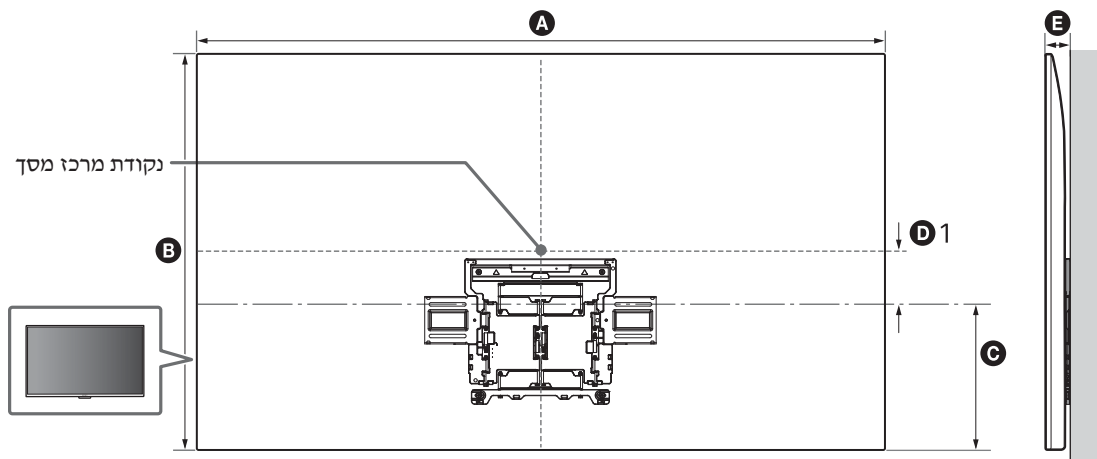
משקל (בסיס בלבד): (בערך) [ק"ג]

3.0

העיצוב והמפרטים עשויים להשתנות ללא הודעה מוקדמת.

מדידה להתקנת מתלה הקיר

הנתונים בטבלה עשויים להשתנות במקצת בהתאם להתקנה.



	^{1*} G	^{1*} F	E	2 D	1 D	C	B	A	שם דגם
12		251.4	48	–	139	362	984	1 713	K-77XR8x
17		250.8	48	–	57	362	829	1 442	K-65XR8x
19		250.8	48	3	–	362	706	1 223	K-55XR8x

1* (בערך)

معلومات التركيب لاستخدام كتيفة التثبيت الجدارية من Sony (SU-WL850)

الموديلات المدعومة*¹:

* 1 في أسماء الموديلات الفعلية، يشير "xx"/"x" إلى الأرقام و/أو الأحرف المحددة الخاصة بكل موديل.

K-77XR8x / 65XR8x / 55XR8x

إلى العملاء

لأسباب تتعلق بحماية المنتج وضمان السلامة، توصي شركة Sony وبشدة بأن تتم عمليات تركيب التلفزيون من قبل وكلاء Sony أو المقاولين المرخصين بهذه الأعمال. لا تحاول تركيب الجهاز بنفسك.

إلى موزعي Sony والمتعاقدين معها

تأكد من توجيه الانتباه الكافي إلى السلامة أثناء عملية تركيب هذا المنتج وصيانته الدورية وفحصه.

يلزم توفر خبرة كافية لتركيب هذا المنتج، خاصة لتحديد قوة الجدار الذي يتحمل وزن التلفزيون. احرص على تكليف موزعي Sony أو المتعاقدين المرخصين بتعليق هذا المنتج على الجدار وانتبه جيداً للسلامة أثناء التركيب. لا تتحمل Sony مسؤولية أي إصابة أو أضرار تنجم عن سوء التعامل أو التركيب غير الصحيح.

لأسباب تتعلق بالسلامة والتركيب الصحيح، اتبع تعليمات التشغيل المتعلقة بكتيفة التثبيت الجدارية، ودليل إعداد التلفزيون والإرشادات الواردة في هذا الدليل.

كثيفة التثبيت الجدارية

حول السلامة

شكراً على شرائك هذا المنتج.

إلى العملاء

تركيب التلفزيون في الجدار



يلزم التركيب بواسطة فني محترف

يجب تركيب هذا المنتج بواسطة فني تركيب محترف تلقى تدريباً يُمكنه من معرفة مدى قدرة الحائط على تحمل وزن التلفزيون. فإن لم يتم تثبيت التلفزيون بإحكام أثناء عملية التركيب، فقد يسقط مسبباً الإصابة بجروح خطيرة. تخلي شركة Sony مسؤوليةنا عن وقوع أية أضرار أو إصابات ناجمة عن سوء التعامل مع المنتج أو تركيبه على نحو غير صحيح، أو تركيب أي منتج بخلاف المنتج المحدد. لا تتأثر حقوق القانونيّة (إن وجدت).

إلى وكلاء سوني Sony

تطلب خبرة كافية من أجل تركيب هذا المنتج. تأكد من قراءة دليل التعليمات هذا بشكل دقيق وكامل من أجل القيام بأعمال التركيب بأمان. شركة سوني Sony غير مسؤولة عن أي أضرار أو جروح تحدث بسبب سوء التعامل مع المنتج أو التركيب غير الصحيح للمنتج. يرجى إعطاء هذا الكتيب إلى الزبون بعد التركيب.

ييين دليل التعليمات هذا طريقة التعامل الصحيحة مع المنتج والتنبيهات الاحتياطية الضرورية لمنع الحوادث. تقع عليك مسؤولية قراءة دليل التعليمات هذا، وفهم ما جاء فيه فهماً كاملاً، واتباع تلك التعليمات. وقد ينجم عن عدم القيام بذلك التعرض لإصابات خطيرة أو ضرر بالمنتجات، كما قد يؤدي لإلغاء الضمان. احتفظ بهذا الكتيب متوفر بين يديك كمرجع في المستقبل.

تصمم المنتجات المصنعة من قبل شركة سوني Sony مع الإخذ بعين الاعتبار عامل السلامة. إذا تم استعمال المنتجات بطريقة غير صحيحة، يمكن أن ينتج عن ذلك جروح خطيرة نتيجة نشوب حريق أو صدمة كهربائية أو انقلاب المنتج أو سقوط المنتج. تأكد من الانتباه ومرعاة التنبيهات الاحتياطية للسلامة من أجل منع مثل هذه الحوادث.

تنبيه

المنتجات المحددة

تم تصميم كثيفة التثبيت الجدارية هذه للاستخدام مع أجهزة تلفزيون منتجات محددة، بالنسبة إلى أجهزة التلفزيون راجع الدليل المرجعي للتحقق من إمكانية استخدام كثيفة التثبيت الجدارية.

إلى العملاء

تحذير

إذا لم تتم مراعاة الاحتياطات التالية، فقد ينجم عن ذلك وقوع إصابة خطيرة أو قد يفرض الأمر إلى الوفاة جراء نشوب حريق أو التعرض لصدمة كهربية أو سقوط المنتج.

تأكد من التعاقد مع متعهدين مرخصين من أجل أعمال التركيب وحافظ على بقاء الأطفال بعيداً أثناء عملية التركيب.

إذا لم يتم تركيب كثيفة التثبيت الجدارية أو التلفزيون بشكل صحيح، فيمكن أن تحدث الحوادث التالية. تأكد من القيام بأعمال التركيب من قبل متعهدين مرخصين للتركيب.

- يمكن أن يسقط التلفزيون ويسبب جروحاً خطيرة مثل الكدمة أو كسر في العظام.
- إذا كان الحائط الذي سوف يعليه تركيب كثيفة التثبيت الجدارية غير مستقر أو غير مستو أو غير متعامد مع الأرضية، يمكن أن تسقط الوحدة وتسبب جروح أو ضرر بالمنتجات.
- يجب أن يكون الحائط قادراً على دعم وتحمل وزن على الأقل ستة أضعاف وزن التلفزيون.
- (يرجى مراجعة الدليل المرجعي الخاص بالتلفزيون لمعرفة وزنه.)
- إذا كان تركيب كثيفة التثبيت الجدارية على الجدار غير قوي بشكل كافي، يمكن أن تسقط الوحدة وتسبب جروح أو ضرر بالمنتجات.

تأكد من التعاقد مع متعهدين مرخصين من أجل القيام بأعمال النقل أو فك تركيب التلفزيون عن الحائط.

إذا قام أشخاص غير المتعهدين المرخصين بنقل أو فك تركيب التلفزيون عن الحائط، فيمكن أن يسقط ويسبب جروحاً أو ضرراً بالمنتجات. يلزم توفر شخصين أو أكثر (ثلاثة أشخاص أو أكثر للتلفزيون بحجم 189.3 سم (75 بوصة) وما أكبر) وذلك لنقل جهاز تلفزيون كبير (باستثناء مصر).

يلزم توفر شخصين أو أكثر (ثلاثة أشخاص أو أكثر للتلفزيون بحجم 75 بوصة (189.3 سم) وما أكبر) وذلك لنقل جهاز تلفزيون كبير (مصر فقط).

لا تنزع البراغي، إلخ، بعد تركيب التلفزيون.

إذا فعلت ذلك، فيمكن أن يسقط التلفزيون ويسبب جروحاً أو ضرراً بالمنتجات.

لا تقم بإدخال تغييرات على أجزاء كثيفة التثبيت الجدارية.

إذا فعلت ذلك، يمكن أن تسقط كثيفة التثبيت الجدارية وتسبب جروح أو ضرر بالمنتجات.

لا تقوم بتركيب أي معدات غير المنتج المحدد.

كثيفة التثبيت الجدارية هذه هي مصممة من أجل الاستعمال مع المنتج المحدد في الأعلى فقط. إذا قمت بتركيب معدات غير تلك المحددة، يمكن أن تسقط أو تنكسر كثيفة التثبيت الجدارية وتسبب جروح أو ضرر بالمنتجات.

لا تضع أي ثقل غير التلفزيون على كثيفة التثبيت الجدارية.

لا تحرك التلفزيون ليسار/الييمين أو لأعلى/أسفل.

إذا فعلت ذلك، فيمكن أن يسقط التلفزيون ويسبب جروحاً أو ضرراً بالمنتجات.

لا تتكئ على أو تتدلى من التلفزيون.

لا تتكئ على أو تتدلى من التلفزيون لأنه يمكن أن يسقط عليك ويسبب جروحاً خطيرة.

تنبيه

في حالة عدم اتباع التنبيهات الاحتياطية التالية، يمكن أن يحدث جروح أو ضرر بالمنتجات.

- احرص على عدم إصابة أصابع يديك عند التعامل مع كثيفة التثبيت الجدارية أو تدوير جهاز التلفزيون.
- عند تدوير جهاز التلفزيون، عليك بالالتزام بالصحة والانتباه حتى لا يتعرض الأشخاص من حولك للإصابة.
- عليك بتخزين الأجزاء غير المستخدمة في مكان آمن لأغراض الاستخدام مستقبلاً.
- يجب إبقاؤها بعيداً عن متناول الأطفال.

لا تتعامل مع المنتج بقوة زائدة أثناء التنظيف أو الصيانة.

لا تضع قوة زائدة على الجانب العلوي للتلفزيون. إذا فعلت ذلك، فيمكن أن يسقط التلفزيون ويسبب جروحاً أو ضرراً بالمنتجات.

لا تضع هذا المنتج بالقرب من الأجهزة الطبية.

يحتوي هذا المنتج (بما في ذلك الملحقات) على مغناطيس (مغناطيسات) والتي قد تتداخل مع أجهزة تنظيم ضربات القلب، صمامات التحويلة القابلة للبرمجة لعلاج استسقاء الرأس، أو الأجهزة الطبية الأخرى. لا تضع هذا المنتج بالقرب من الأشخاص الذين يستخدمون مثل هذه الأجهزة الطبية. استشر طبيبك قبل استخدام هذا المنتج إذا كنت تستخدم أي من مثل هذه الأجهزة الطبية.

يحفظ بعيداً عن متناول الأطفال أو الأشخاص الخاضعين للإشراق.

يحتوي هذا المنتج (بما في ذلك الملحقات) على مغناطيس (مغناطيسات). قد يؤدي ابتلاع المغناطيس (المغناطيسات) إلى ضرر خطير، مثل التعرض لخطر الاختناق أو الإصابات المعوية. إذا تم ابتلاع مغناطيسات (أو مغناطيس)، فاستشر الطبيب على الفور.

تنبيهات احتياطية

- إذا استعملت التلفزيون المركب على كثيفة التثبيت الجدارية لمدة طويلة من الوقت، فيمكن أن يصبح الحائط خلف أو فوق التلفزيون مشوه اللون أو يمكن أن يصبح ورق الجدار غير ملتصق وذلك اعتماداً على نوعية مادة الحائط.
- إذا تم نزع كثيفة التثبيت الجدارية بعد تركيبها على الحائط، تبقى ثقوب البراغي على الحائط.
- لا تستخدم كثيفة التثبيت الجدارية بمكان تتعرض فيه للاهتزازات الميكانيكية.

تركيب كتيفة التثبيت الجدارية

إلى وكلاء سوني Sony

تحذير

التعليمات التالية هي لكلاء سوني Sony فقط. تأكد من قراءة التنبيهات الاحتياطية المتعلقة بالسلامة المشروحة في الأعلى وإعطائه انتباه خاص إلى عامل السلامة أثناء التركيب والصيانة والفحص لهذا المنتج.

لا تتركب كتيفة التثبيت الجدارية على أسطح حائط بحيث تكون زوايا أو جوانب التلفزيون بارزة كثيراً من سطح الحائط.

لا تتركب كتيفة التثبيت الجدارية على أسطح حائط مثل عمود، بحيث تكون زوايا أو جوانب التلفزيون بارزة كثيراً من سطح الحائط. إذا حدث واصطدم جسم أو شخص بزوايا أو جانب التلفزيون البارز، فيمكن أن يسبب جروحاً أو ضرراً بالممتلكات.

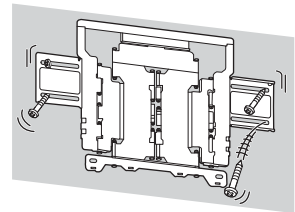


لا تتركب التلفزيون فوق أو تحت مكيف الهواء.

إذا تعرض التلفزيون إلى تسرب الماء أو مجرى تدفق الهواء من مكيف الهواء لمدة طويلة، فيمكن أن يسبب ذلك نشوب حريق أو حدوث صدمة كهربائية أو عطل بالتلفزيون.

تأكد من تركيب كتيفة التثبيت الجدارية بشكل ثابت ومحكم مع الحائط باتباع التعليمات الموجودة في دليل التعليمات هذا.

إذا كان أحد البراغي مرتخي أو سقط من مكانه، يمكن أن تسقط كتيفة التثبيت الجدارية وتسبب جروح أو ضرر بالممتلكات. يرجى التأكد من استخدام البراغي المناسبة للمادة المصنوع منها الجدار، وتركيب الوحدة بشكل آمن باستخدام أربعة براغي يقطر 8 مم (أو ما يعادله).



تأكد من تجميع الكتيفة كما يجب بصورة صحيحة باتباع إجراء التوجيه المشروح في دليل التعليمات هذا.

إذا كان أحد البراغي مرتخيًا أو سقط من مكانه، فيمكن أن يسقط التلفزيون ويسبب جروحاً بدنية لبعض الأشخاص أو ضرراً للتلفزيون.

تأكد من شدّ البراغي بشكل ثابت ومحكم في الموضع المعين.

إذا لم تشدّ البراغي بشكل ثابت ومحكم، فيمكن أن يسقط التلفزيون ويسبب جروحاً بدنية لبعض الأشخاص أو ضرراً للتلفزيون.

احذر من تعرّض التلفزيون إلى الصدمات أثناء التركيب.

إذا تعرض التلفزيون إلى الصدمات، فيمكن أن يسقط أو تتكسر أجزاؤه. يمكن أن يسبب ذلك جروحاً.

تأكد من تركيب التلفزيون على حائط عمودي ومستوٍ.

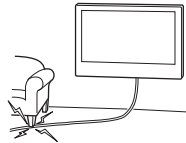
إذا ركبّت على حائط غير عمودي ومستوٍ، فيمكن أن يسقط التلفزيون ويسبب جروحاً.

بعد تركيب التلفزيون بشكل مناسب، ثبتت الأسلاك كما يجب بصورة صحيحة.

إذا تشابك أشخاص أو أجسام مع الأسلاك، فيمكن أن يسبب ذلك جروحاً أو ضرراً للتلفزيون.

احذر من الضغط أو الشدّ أو القرص على سلك طاقة التيار المتردد AC أو سلك التوصيل.

إذا تم الضغط أو الشدّ أو انحصر سلك طاقة التيار المتردد AC أو سلك التوصيل بين الوحدة والحائط أو اثنتي أو التوى السلك بقوة، يمكن أن تصبح أسلاك الموصلات الداخلية مكشوفة وتسبب تماس كهربائي أو قطع كهربائي. يمكن أن يسبب ذلك نشوب حريق أو حدوث صدمة كهربائية.



البراغي اللازمة لتثبيت كتيفة التثبيت الجدارية هي غير مزوّدة.

استعمل البراغي المناسبة للمادة المصنوع منها الحائط والبناء عند تركيب كتيفة التثبيت الجدارية.

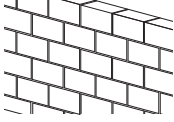
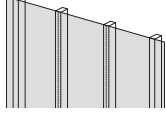
تأكد من استعمال البراغي وأجزاء الروابط الملحقة المزوّدة كما يجب بصورة صحيحة باتباع التعليمات المعطاة في دليل التعليمات هذا. إذا استعملت مواد بديلة، فيمكن أن يسقط التلفزيون ويسبب جروحاً بدنية لبعض الأشخاص أو ضرراً للتلفزيون.

قبل البدء

- الرسوم التوضيحية لجهاز التلفزيون الموضحة في هذا الدليل هي أمثلة مُستخدمة لتقديم شرح واضح للعمليات. لهذا السبب، قد تظهر الرسوم التوضيحية مختلفة عن التلفزيون الفعلي.

مما صُنع الجدار؟



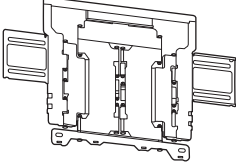
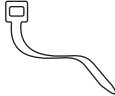

أولاً، تحقق من نوع الجدار لتثبيت التلفزيون.

الخرسانة الصلبة أو الكتلة الخرسانية	جدار من الحجارة غير المليطة مع مسامير
 <p>تنبيهات احتياطية</p> <ul style="list-style-type: none"> • ركب كثيفة التثبيت الجدارية مباشرةً على الجدار الخرساني الصلب. • تأكد من أن سُمك الجدار الخرساني الصلب هو على الأقل 203 مم. • تأكد من أن حجم كل كتلة خرسانية هو على الأقل 203 مم × 203 مم × 406 مم. 	 <p>تنبيهات احتياطية</p> <ul style="list-style-type: none"> • الحد الأقصى لسُمك الجدار: 16 مم. • تأكد من أن حجم مسامير الخشب الداخلي هو على الأقل 51 مم × 102 مم للقيمة العادية أو 38 مم × 89 مم للقيمة الأسمية. • حافظ على قيمة الحد الأدنى للمساحة الأفقية بين المثبتات وهي 406 مم.

افحص الأجزاء

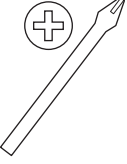
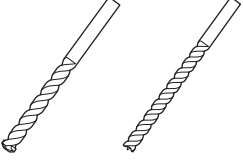


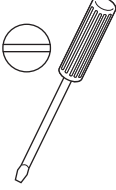
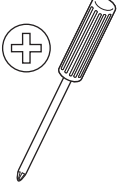
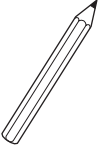
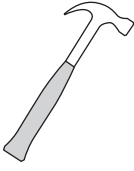
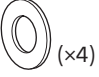



مرفق بـ SU-WL850

- تأكد من أن جميع القطع موجودة.

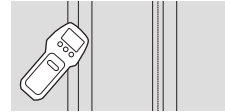
<p>(×4) WM3</p> 	<p>(×1) WM2</p> 	<p>(×1) WM1</p> 
	<p>(×6) WT1</p> 	<p>(×4) M6</p> 

التحضير للتركيب

- أحضر الدليل المرجعي ودليل الإعداد للتلفزيون بالقرب منك قبل التركيب.
- تأكد من موضع التركيب الخاص بالتلفزيون.
- جهز 4 براغي مقاس 8 مم وأربع حلقات إحكام الربط مناسبة (غير مرفقة). اختر البراغي المناسبة لنوع الجدار.
- قم بإعداد الأدوات التالية:

	 <p>10 مم 5.5 مم</p>		 <p>1*</p>
 <p>1.5 ن.م {15 كجم ق.سم}</p> <p>3*</p>	 <p>1.5 ن.م {15 كجم ق.سم}</p>		 <p>2*</p>
 <p>(×4)</p> <p>4*</p>	 <p>(×4) 8 مم × 60 مم</p> <p>4*</p>	 <p>(×4)</p> <p>2*</p>	

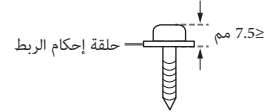
1* الخاصة فقط بجدار من الحجارة غير الملبطة مع مسامير

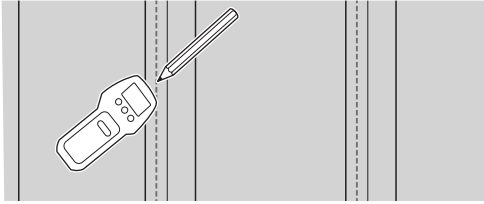


2* الخاصة فقط بالخرسانة الصلبة أو الكتلة الخرسانية

3* بناءً على الطرز

4* توخ الحذر عند اختيار البراغي وحلقات إحكام الربط

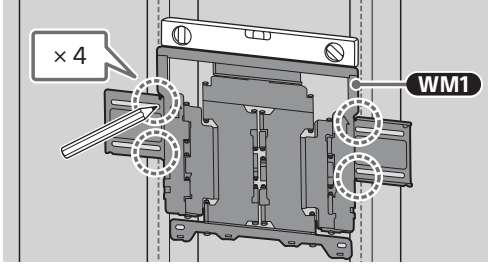




2

A تثبيت كيفية التثبيت الجدارية بجدار من الحجارة غير المليطة مع مسامير

3 قم بمحاذاة **WM1** على الحائط وضع 4 علامات في مكان مسامير التثبيت.

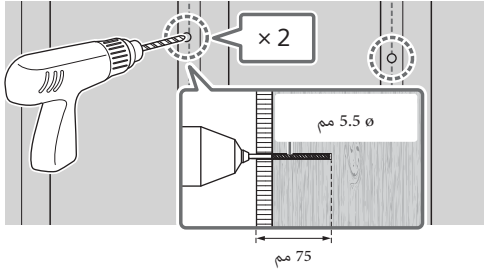


ملاحظة

- استخدم مقياس لمستوى الاتزان للتأكد من أن **WM1** متوازن.

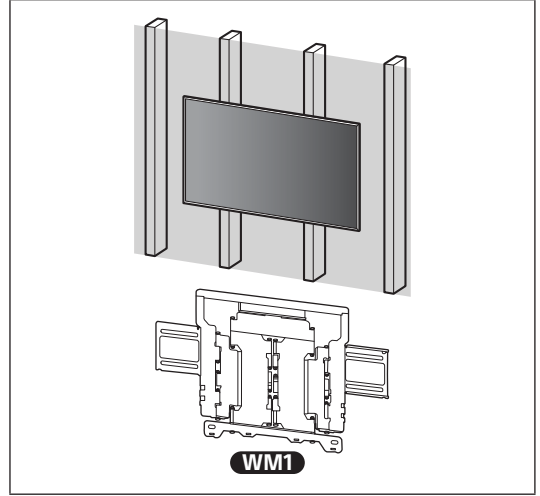
4 اثنقب الفتحات الدلالية العلوية مكان العلامات.

تأكد من أن يكون المكان على الحائط الذي ستثقب فيه الفتحات قويًا بقدر كاف لدعم وزن يبلغ ستة أضعاف وزن التلفزيون على الأقل.



ملاحظة

- يجب ثقب الفتحات الدلالية حتى عمق 75 مم، باستخدام لقمة ثقب بقطر 5.5 مم.



تثبيت كيفية التثبيت الجدارية بالحائط

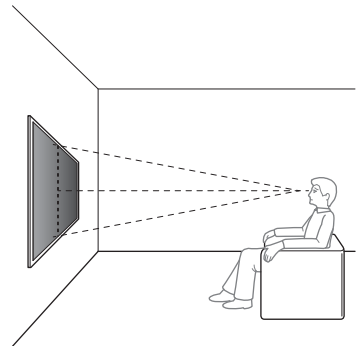
1 تحديد موضع التثبيت.

تأكد من توافر المساحة الكافية على الجدار لتستوعب التلفزيون ويمكنها تحمل وزن يعادل ستة أضعاف وزن التلفزيون.

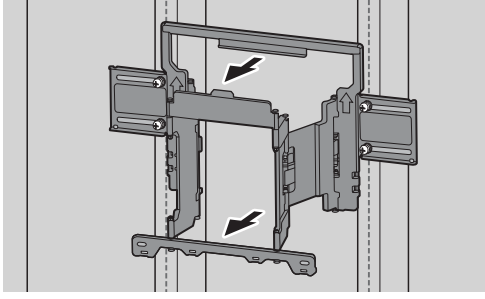
- يرجى مراجعة « قياس لكيفية التثبيت الجدارية بالحائط » في صفحة 18.
- يرجى مراجعة الدليل المرجعي الخاص بالتلفزيون لمعرفة وزنه.

ملاحظة

- عند تركيب التلفزيون على الجدار، يميل الجانب العلوي من التلفزيون إلى الأمام قليلاً.
- نوصي بفحص وضع التلفزيون في بيئة المشاهدة.



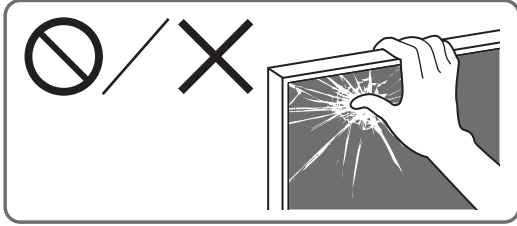
8 اسحب ذراع الكتيقة حتى النهاية.



تحضير من أجل تركيب التلفزيون

ملاحظة

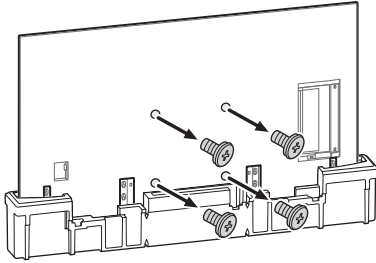
- وتأكد من تخزين البراغي التي قمت بإزالتها والاجزاء التي لم يتم استعمالها في مكان آمن، مع الحفاظ عليها بعيدا عن الأطفال.



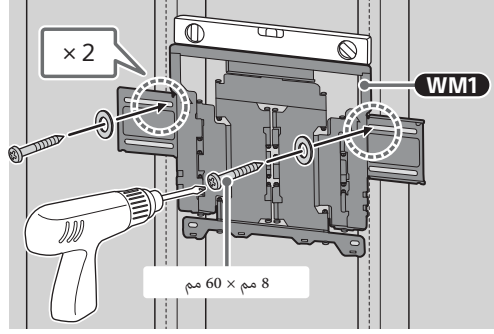
تركيب التلفزيون في الجدار من الكرتونة*1

1* لمنطق/بلدان/موديلات محددة فقط.

1 أزل البراغي من خلف التلفزيون.



5 ركب WM1 على الجدار باستخدام براغي مناسبة (غير مرفقة) وحلقات إحكام الربط (غير مرفقة).



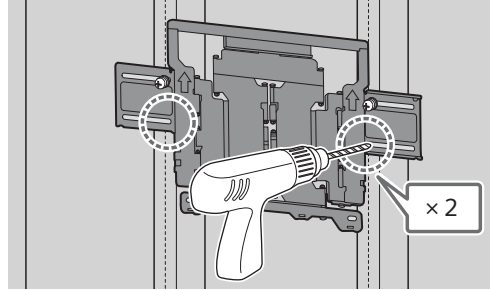
ملاحظة

- استخدم مقياس لمستوى الاتزان للتأكد من أن WM1 متوازن.

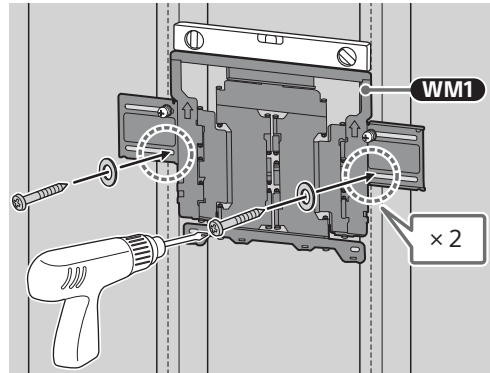
تنبيهات احتياطية

- لا تبالغ في ربط البرغي الخشبي بمقاس 8 مم x 60 مم. حيث قد يؤدي الربط غير الملائم إلى الحد من القوة القابضة للبرغي الخشبي بمقاس 8 مم x 60 مم.

6 اثقب الفتحات الدلالية السفلية في مكان العلامات. (راجع الخطوة 4 للتعرف على تعليمات الثقب.)



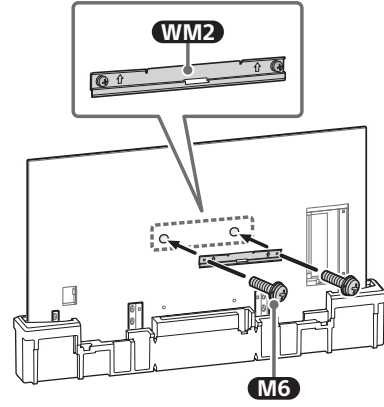
7 أدخل البراغي وحلقات إحكام الربط المناسبة في الفتحات.



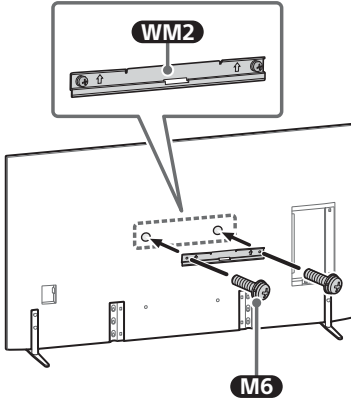
ملاحظة

- استخدم مقياس لمستوى الاتزان للتأكد من أن WM1 متوازن.

2 تركيب التلفزيون في التلفزيون باستخدام WM2 .

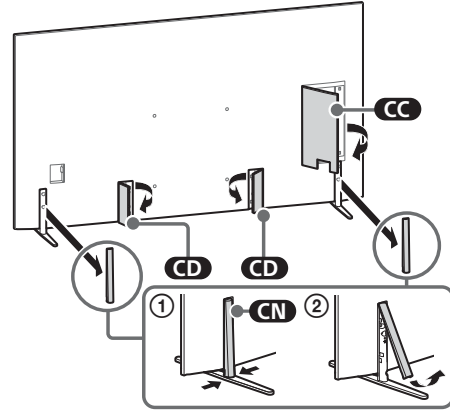


3 تركيب WM2 في التلفزيون باستخدام M6 .

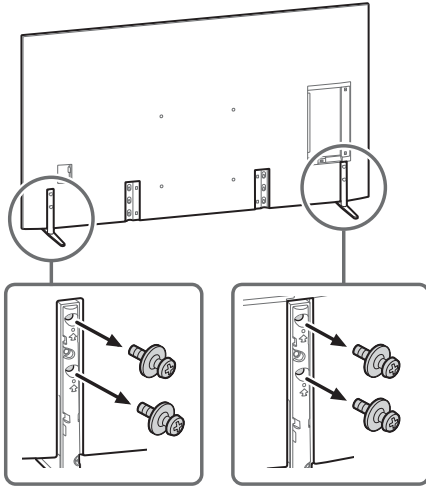


تركيب التلفزيون في الجدار من الحامل أعلى الطاولة

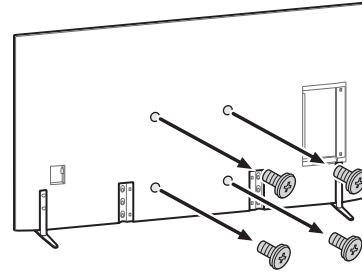
1 أزل أغطية الحامل والأغطية الطرفية.



4 افصل الحامل أعلى الطاولة عن التلفزيون.



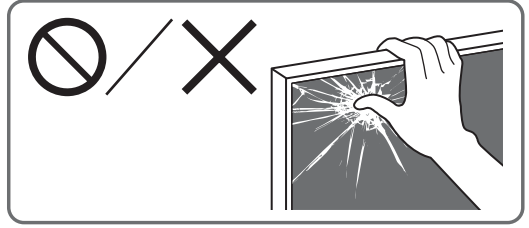
2 أزل البراغي من خلف التلفزيون.



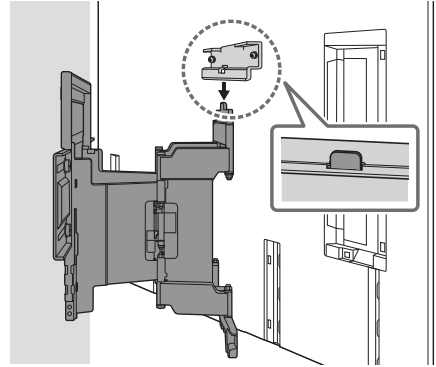
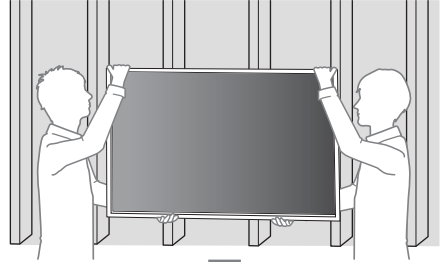
ملاحظة

- كن حذرًا عند رفع التلفزيون حيث تم فصل حامل أعلى الطاولة، فقد يؤدي إلى انقلاب الحامل ويسبب إصابة شخصية.
- توخ الحذر عند إزالة حامل أعلى الطاولة من التلفزيون لمنع سقوطه وإتلاف السطح الذي يتم وضع التلفزيون عليه.

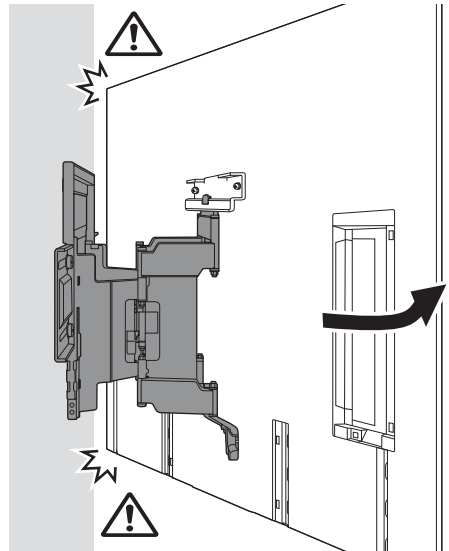
تركيب التلفزيون على الحائط



1



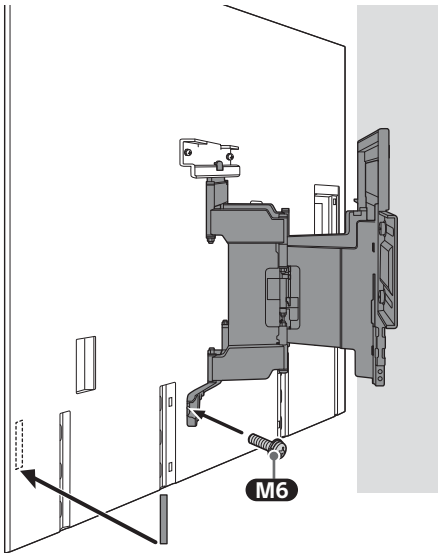
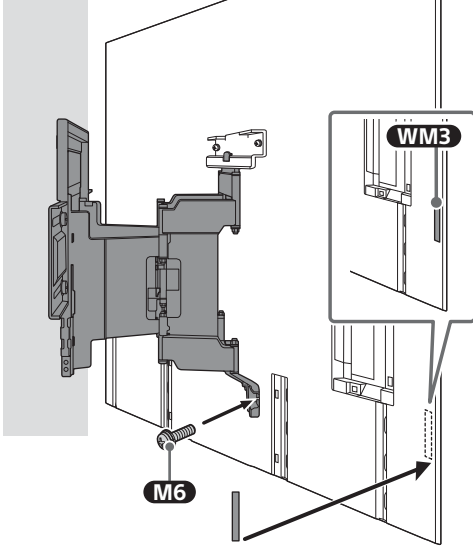
2



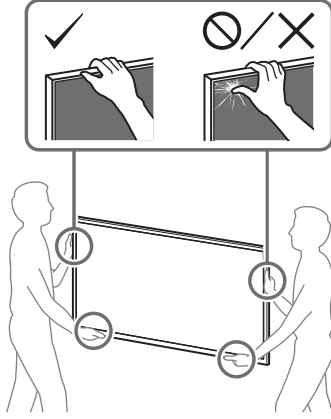
3 اربط كل من الجانبين الأيسر والأيمن بكتيفة التثبيت الجدارية باستخدام **M6** واربط **WM3**.

ملاحظة

• لا تقم بتركيب **WM3** على الملصقات.



- تحذير**
- يلزم توفر شخصين أو أكثر (ثلاثة أشخاص أو أكثر للتلفزيون بحجم 189.3 سم بوضحة) وما أكبر) وذلك لنقل جهاز تلفزيون كبير (باستثناء مصر).
يلزم توفر شخصين أو أكثر (ثلاثة أشخاص أو أكثر للتلفزيون بحجم 75 بوضحة 189.3 سم) وما أكبر) وذلك لنقل جهاز تلفزيون كبير (مصر فقط).



التأكد من اكتمال التركيب

افحص النقاط التالية.

- الأسلاك غير ملتوية أو محشورة.

تحذير

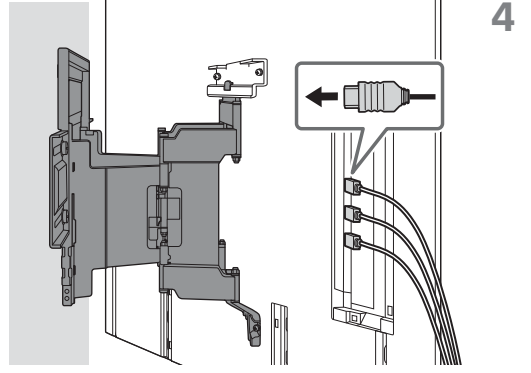
- قد يُسبب الوضع غير الصحيح للسلك الرئيسي، وما إلى ذلك إلى نشوب حريق أو حدوث صدمة كهربية من خلال انقطاع الدائرة الكهربائية. تأكد من اكتمال التركيب من أجل السلامة.

معلومات أخرى

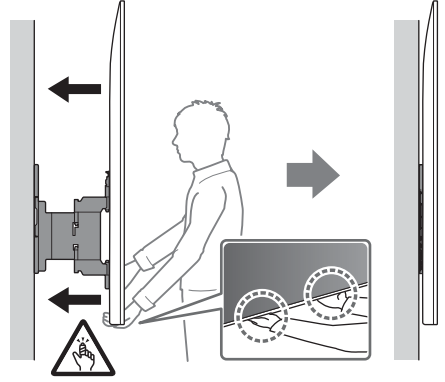
عند نزع التلفزيون، اعكس إجراء التركيب السابق.

تحذير

- يلزم توفر شخصين أو أكثر (ثلاثة أشخاص أو أكثر للتلفزيون بحجم 189.3 سم بوضحة) وما أكبر) وذلك لنقل جهاز تلفزيون كبير (باستثناء مصر).
يلزم توفر شخصين أو أكثر (ثلاثة أشخاص أو أكثر للتلفزيون بحجم 75 بوضحة 189.3 سم) وما أكبر) وذلك لنقل جهاز تلفزيون كبير (مصر فقط).

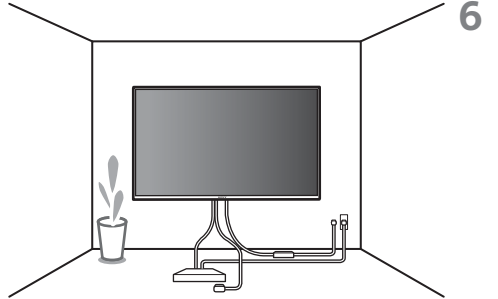


5 عند تحريك التلفزيون، امسكه بإحكام من الأسفل.

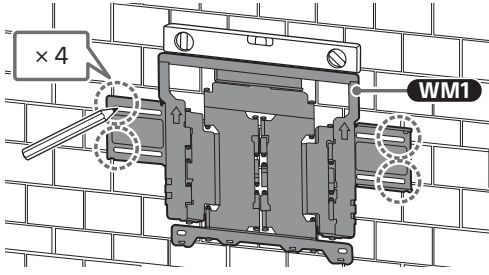


ملاحظة

- قد لا يتحرك التلفزيون بالقرب من الحائط وفقاً لنوع وعدد الكابلات المرفقة. هذا ليس عطلاً.



2 قم بمحاذاة WM1 على الحائط وضع 4 علامات.

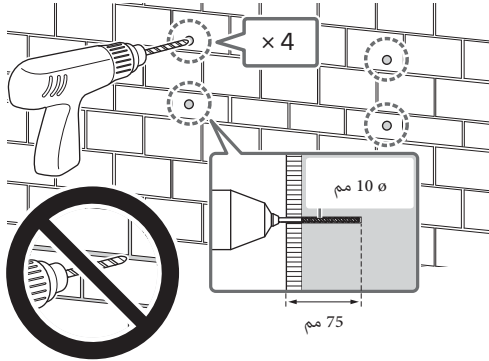


ملاحظة

- استخدم مقياس لمستوى الاتزان للتأكد من أن WM1 متوازن.

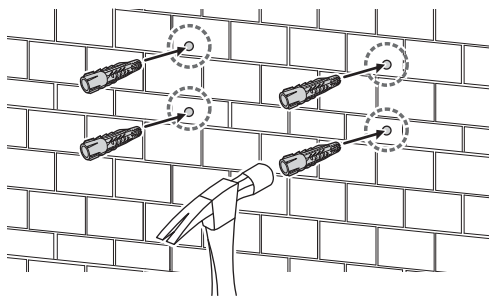
3 اثقب فتحات دلالية في مكان العلامات.

تأكد من أن يكون المكان على الحائط الذي ستثقب فيه الفتحات قويًا بقدر كافٍ لدعم وزن يبلغ ستة أضعاف وزن التلفزيون على الأقل.



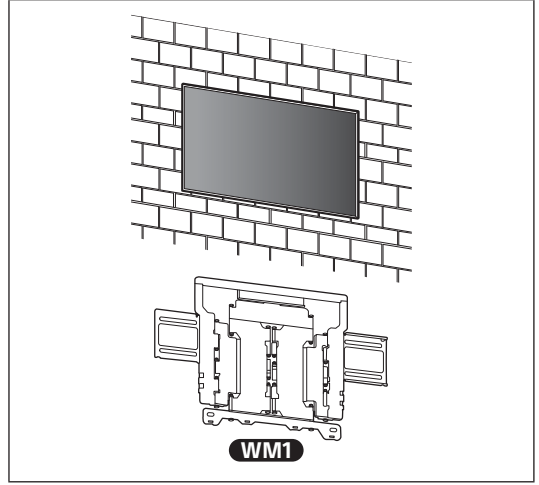
ملاحظة

- يجب ثقب الفتحات الدلالية حتى عمق 75 مم، باستخدام لقمة ثقب بقطر 10 مم.



4

B تركيب كتيفة التثبيت الجدارية في جدار خرساني صلب أو كتلة خرسانية



تثبيت كتيفة التثبيت الجدارية بالحائط

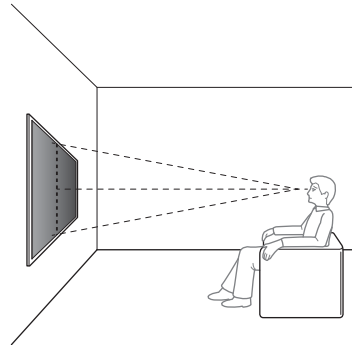
1 تحديد موضع التثبيت.

تأكد من توافر المساحة الكافية على الجدار لتستوعب التلفزيون ويمكنها تحمل وزن يعادل ستة أضعاف وزن التلفزيون.

- يرجى مراجعة « قياس لكتيفة التثبيت الجدارية بالحائط » في صفحة 18.
- يرجى مراجعة الدليل المرجعي الخاص بالتلفزيون لمعرفة وزنه.

ملاحظة

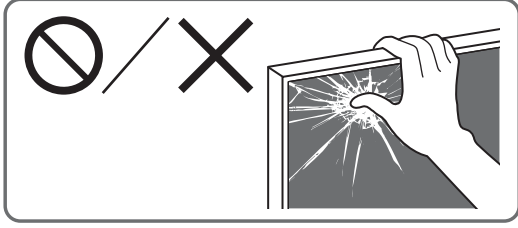
- عند تركيب التلفزيون على الجدار، يميل الجانب العلوي من التلفزيون إلى الأمام قليلاً.
- نوصي بفحص وضع التلفزيون في بيئة المشاهدة.



تحضير من أجل تركيب التلفزيون

ملاحظة

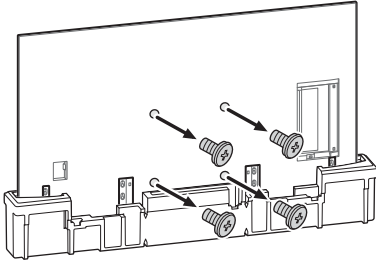
- وتأكد من تخزين البراغي التي قمت بإزالتها والجزاء التي لم يتم استعمالها في مكان آمن، مع الحفاظ عليها بعيدًا عن الأطفال.



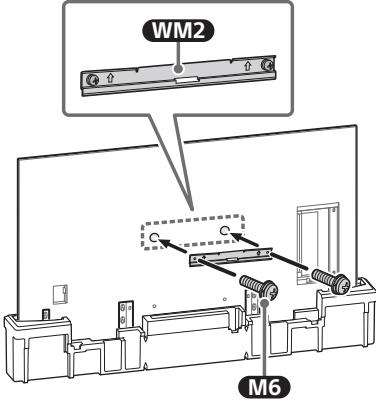
تركيب التلفزيون في الجدار من الكرتونة^{1*}

1* لمناطق/بلدان/موديلات محددة فقط.

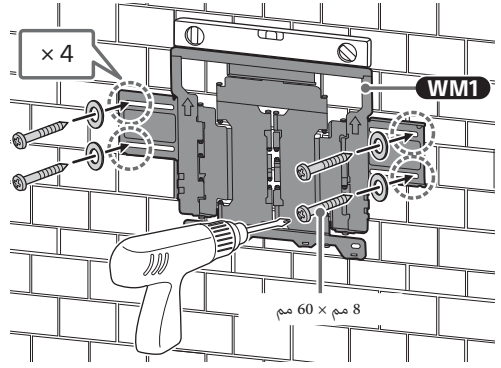
1 أزل البراغي من خلف التلفزيون.



2 ركب WM2 في التلفزيون باستخدام M6.



5 ركب WM1 على الجدار باستخدام براغي مناسبة (غير مرفقة) وحلقات إحكام الربط (غير مرفقة).



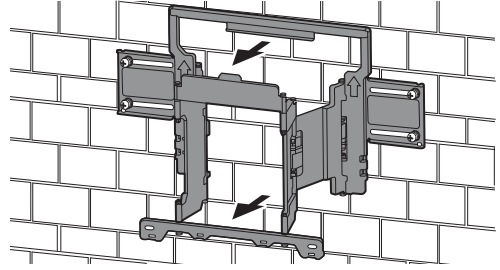
ملاحظة

- استخدم مقياس لمستوى الاتزان للتأكد من أن WM1 متوازن.

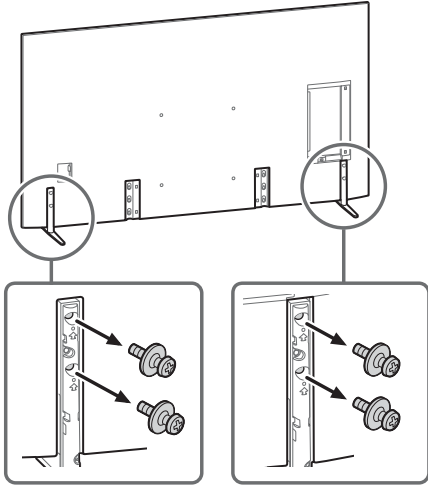
تنبيهات احتياطية

- لا تبالغ في ربط البرغي الخشبي بمقاس 8 مم x 60 مم. حيث قد يؤدي الربط غير الملائم إلى الحد من القوة القابضة للبرغي الخشبي بمقاس 8 مم x 60 مم.

6 اسحب ذراع الكتيفة حتى النهاية.



4 افصل الحامل أعلى الطاولة عن التلفزيون.

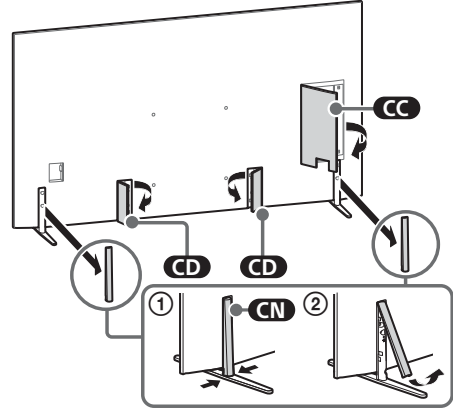


ملاحظة

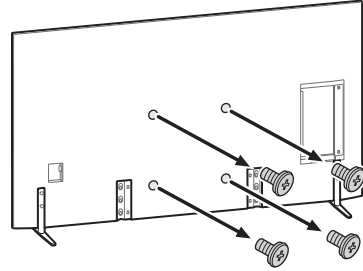
- كن حذرًا عند رفع التلفزيون حيث تم فصل حامل أعلى الطاولة، فقد يؤدي إلى انقلاب الحامل ويسبب إصابة شخصية.
- توخ الحذر عند إزالة حامل أعلى الطاولة من التلفزيون لمنع سقوطه وإتلاف السطح الذي يتم وضع التلفزيون عليه.

تركيب التلفزيون في الجدار من الحامل أعلى الطاولة

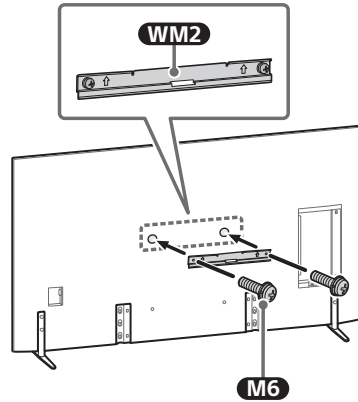
1 أزل أغطية الحامل والأغطية الطرفية.



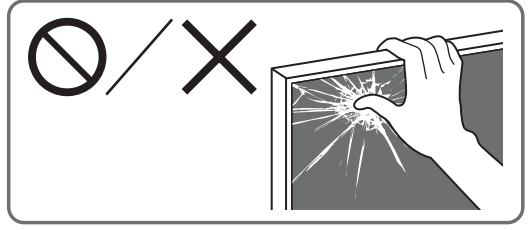
2 أزل البراغي من خلف التلفزيون.



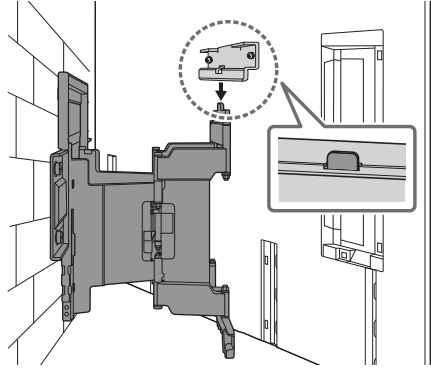
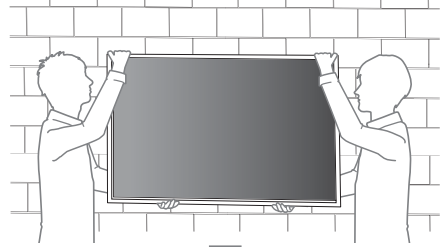
3 ركب WM2 في التلفزيون باستخدام M6.



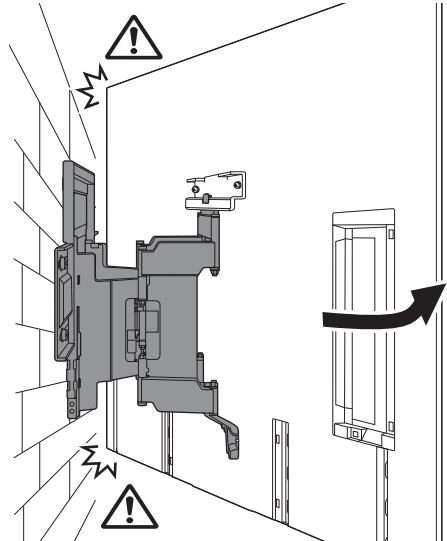
تركيب التلفزيون على الحائط



1



2

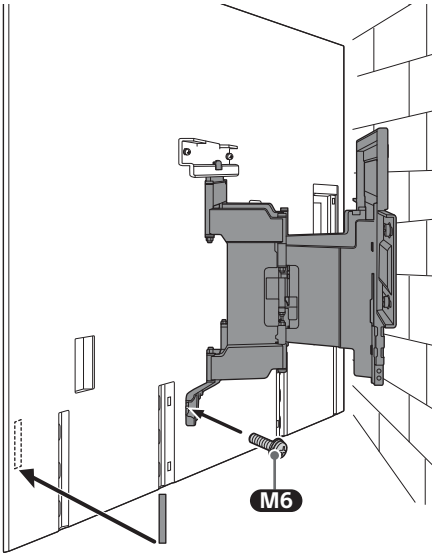
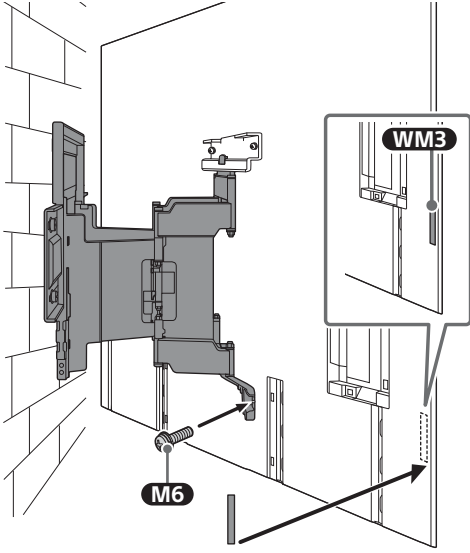


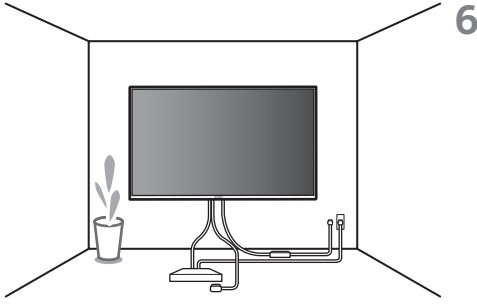
3

اربط كل من الجانبين الأيسر والأيمن بكتيفة التثبيت
الجدارية باستخدام **M6** واربط **WM3**.

ملاحظة

• لا تقم بتركيب **WM3** على المصقات.

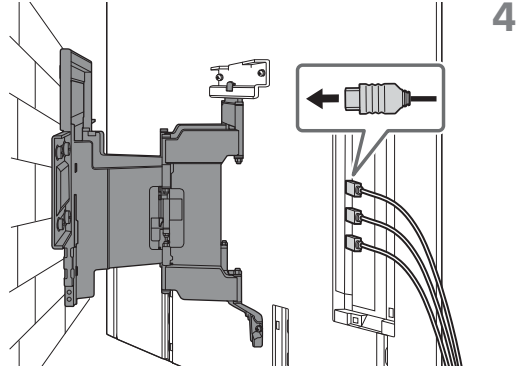
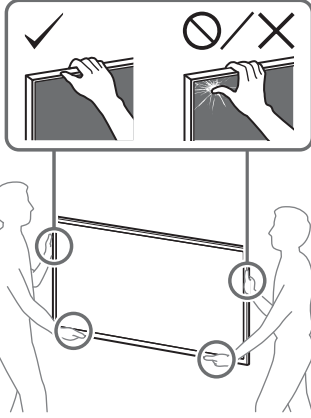




6

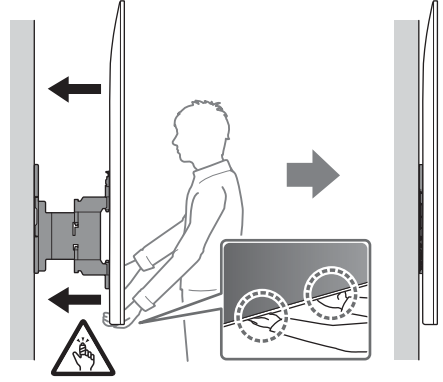
تحذير

- يلزم توفر شخصين أو أكثر (ثلاثة أشخاص أو أكثر للتلفزيون بحجم 189.3 سم بوضعية) وما أكبر) وذلك لنقل جهاز تلفزيون كبير (باستثناء مصر).
- يلزم توفر شخصين أو أكثر (ثلاثة أشخاص أو أكثر للتلفزيون بحجم 75 بوصة بوضعية) وما أكبر) وذلك لنقل جهاز تلفزيون كبير (مصر فقط).



4

5 عند تحريك التلفزيون، امسكه بإحكام من الأسفل.



ملاحظة

- قد لا يتحرك التلفزيون بالقرب من الحائط وفقاً لنوع وعدد الكابلات المرفقة. هذا ليس عطلاً.

التأكد من اكتمال التركيب

افحص النقاط التالية.

- الأسلاك غير ملتوية أو محشورة.

تحذير

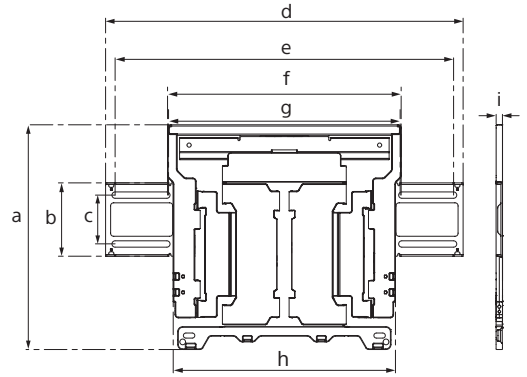
- قد يُسبب الوضع غير الصحيح للسلك الرئيسي، وما إلى ذلك إلى نشوب حريق أو حدوث صدمة كهربائية من خلال انقطاع الدائرة الكهربائية. تأكد من اكتمال التركيب من أجل السلامة.

معلومات أخرى

عند نزع التلفزيون، اعكس إجراء التركيب السابق.

تحذير

- يلزم توفر شخصين أو أكثر (ثلاثة أشخاص أو أكثر للتلفزيون بحجم 189.3 سم بوضعية) وما أكبر) وذلك لنقل جهاز تلفزيون كبير (باستثناء مصر).
- يلزم توفر شخصين أو أكثر (ثلاثة أشخاص أو أكثر للتلفزيون بحجم 75 بوصة بوضعية) وما أكبر) وذلك لنقل جهاز تلفزيون كبير (مصر فقط).



الأبعاد: (تقريبي) [مم]

354 : a

116 : b

77 : c

563 : d

533 : e

370 : f

368 : g

350 : h

11 : i

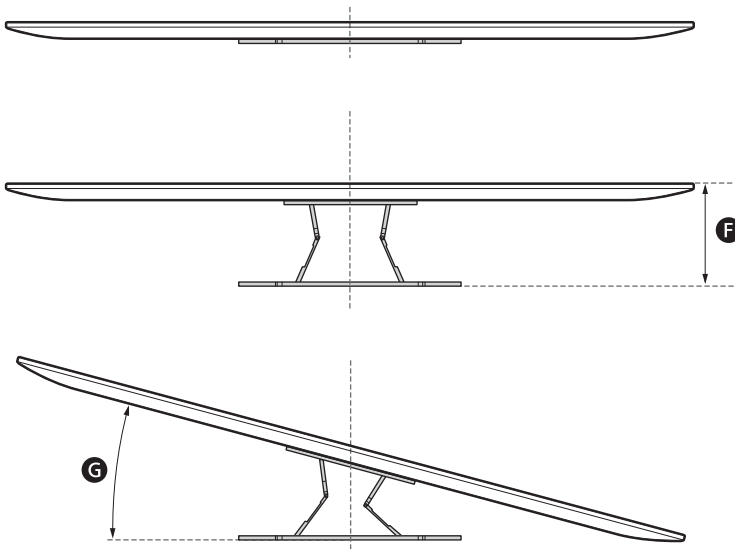
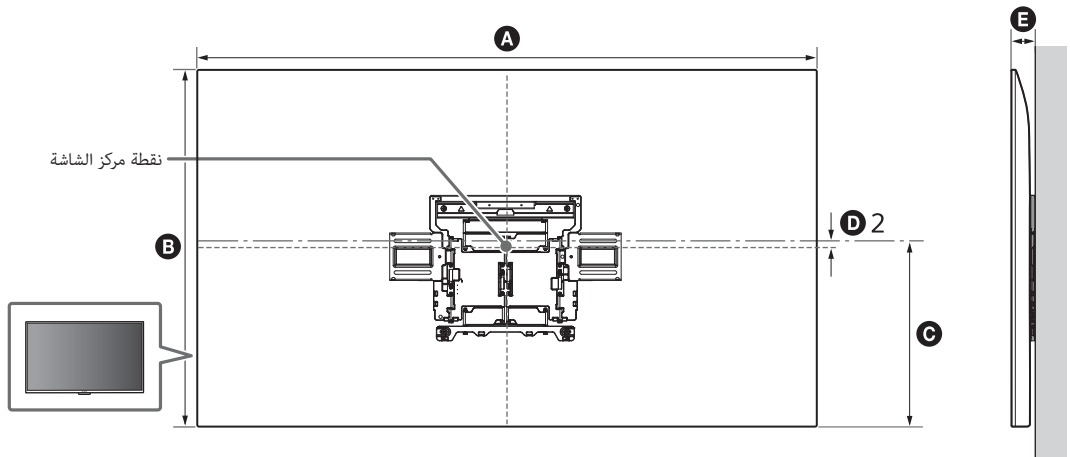
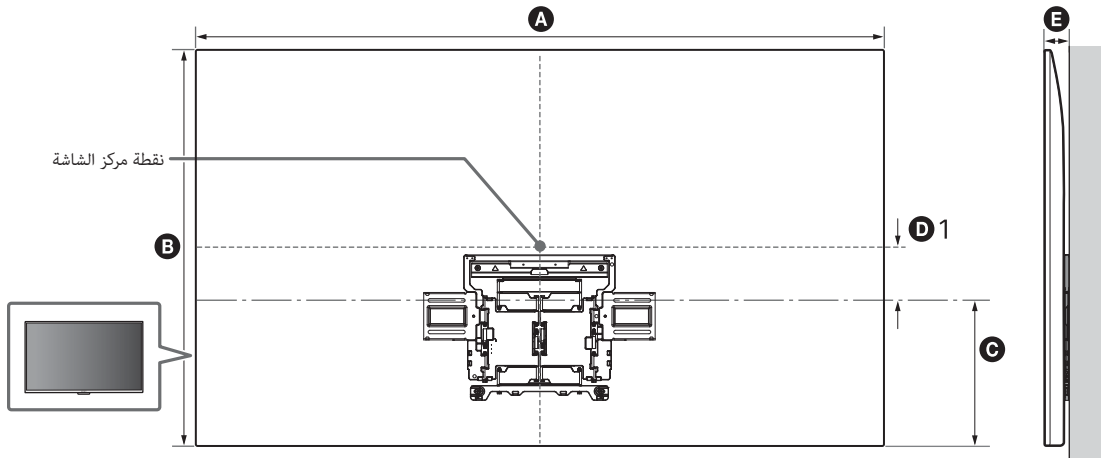
الوزن (القاعدة فقط): (تقريبي) [كجم]

3.0

التصميم والمواصفات عرضة للتغيير دون إشعار.

المراجع

قياس لكثيفة التثبيت الجدارية بالحائط
قد تختلف الأرقام الواردة بالجدول قليلاً وفقاً للتركيب.



(°) G ^{1*}	F ^{1*}	E	2 D	1 D	C	B	A	اسم الموديل
12	251.4	48	-	139	362	984	1 713	K-77XR8x
17	250.8	48	-	57	362	829	1 442	K-65XR8x
19	250.8	48	3	-	362	706	1 223	K-55XR8x

1* (تقريبي)

اطلاعات نصب برای استفاده از پایه نصب دیواری Sony (مدل SU-WL850)

مدل های مورد پشتیبانی*¹:

* 1 در نام های مدل حقیقی، "xx"/"x"، اعداد و/یا نویسه های ویژه هر مدل را نشان می دهد.

K-77XR8x / 65XR8x / 55XR8x

مربوط به مشتری

جهت حفاظت دستگاه و رعایت موارد ایمنی، شرکت Sony اکیداً توصیه می کند که نصب تلویزیون خود بر روی دیوار را به فروشندگان یا کالاهای Sony یا نمایندگیهای مجاز واگذار نمایید. لطفاً شخصاً اقدام به نصب آن ننمایید.

مربوط به دفاتر فروش و نمایندگی های Sony

در خلال نصب، سرویس دوره ای یا بازبینی این دستگاه باید ایمنی کامل را در نظر بگیرید.

برای نصب این محصول مهارت کافی لازم است، به ویژه برای تعیین مقاومت دیوار در برابر وزن تلویزیون. نصب را به فروشنده یا فرد مورد تأیید Sony واگذار کنید و در طول مراحل نصب به موارد ایمنی توجه کافی داشته باشید. شرکت Sony هیچ مسئولیتی در قبال خسارت و جراحات وارده بدلیل نصب بد و نادرست دستگاه ها ندارد.

جهت نصب ایمن و درست، دستورالعملهای عملکرد پایه نصب دیواری، راهنمای نصب تلویزیون و دستورالعملهای موجود در این دفترچه راهنما را دنبال کنید.

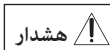
پایه نصب دیواری

درباره ایمنی

از شما به خاطر خرید این محصول تشکر می‌کنیم.

مربوط به مشتری

نصب تلویزیون روی دیوار



نصب حرفه ای الزامی است

این محصول فقط باید توسط یک نصاب حرفه ای که در خصوص تعیین قدرت دیوار برای تحمل وزن تلویزیون آموزش دیده است نصب شود. در صورتی که تلویزیون به طور ایمن نصب نشود، ممکن است سقوط کند و باعث آسیب جدی شود. Sony در قبال هر نوع خسارت یا آسیب ناشی از استفاده یا نصب نادرست یا نصب هرگونه محصول غیر از محصول مشخص شده مسئولیتی ندارد. حقوق قانونی شما (در صورت وجود) تحت تأثیر قرار نمی‌گیرد.

خطاب به فروشندگان Sony

نصب این محصول مستلزم داشتن مهارت کافی در این زمینه است. حتماً این دفترچه دستورالعمل را با دقت مطالعه کنید تا کار نصب به‌طور ایمن انجام شود. Sony هیچ تعهدی در قبال صدمات یا آسیب‌های ناشی از نصب و کاربرد نادرست ندارد. لطفاً این راهنما را پس از نصب به مشتری بدهید.

در این دفترچه دستورالعمل نحوه صحیح کار با محصول و احتیاط‌های مهم برای جلوگیری از وقوع سانحه ذکر شده است. شما موظف هستید تمام دستورالعمل‌های این دفترچه دستورالعمل را بخوانید، آن را کاملاً درک کنید و دستورالعمل‌های آن را رعایت کنید. عدم انجام چنین کاری ممکن است سبب آسیب جدی شخصی یا خسارت به اموال شود، و همچنین ضمانت نامه را باطل کند. این راهنما را برای مراجعات بعدی نگه دارید.

در ساخت محصولات Sony ایمنی حرف اول را می‌زند. اگر به نحو نادرستی از محصول استفاده شود، ممکن است باعث آتش سوزی، یا برق گرفتگی، واژگون شدن، یا سقوط دستگاه شود و در نتیجه باعث بروز صدمات و آسیب‌های جدی شود. حتماً احتیاط‌های ایمنی را رعایت کنید تا از چنین سوانحی جلوگیری شود.

احتیاط

محصولات خاص

این پایه نصب دیواری به گونه ای طراحی شده است که برای استفاده با تلویزیون‌های مخصوص این دستگاه مناسب است. برای تلویزیون‌ها، به راهنمای مرجع مراجعه کنید تا ببینید می‌توان از پایه نصب دیواری استفاده کرد یا نه.

مربوط به مشتری

هشدار

اگر از موارد احتیاط عنوان شده در زیر تبعیت نکنید، ممکن است جراحت‌های شدید، مرگ در اثر آتش سوزی یا برق گرفتگی ایجاد شده یا اینکه دستگاه بیفتد.

حتماً نصب را به نمایندگی‌های مجاز بسپارید و هنگام نصب بچه‌ها را از محل دور کنید.

- اگر پایه نصب دیواری یا تلویزیون درست نصب نشود، موارد زیر ممکن است رخ دهد. حتماً نصب را به مأمورین مجاز محول کنید. ممکن است تلویزیون بیفتد و باعث جراحت شدید از جمله کودکی یا شکستگی شود.
- اگر دیواری که پایه نصب دیواری را روی آن نصب می‌کنید سست، یا ناصاف باشد، یا عمود بر کف ساختمان نباشد، ممکن است دستگاه سقوط کند و باعث آسیب یا صدمه شود. دیوار باید حداقل تحمل شش برابر وزن تلویزیون را داشته باشد. (برای اطلاع از وزن تلویزیون، به راهنمای مرجع آن مراجعه کنید).
- اگر پایه نصب دیواری روی دیوار محکم نصب نشود، ممکن است دستگاه بیفتد و باعث آسیب یا صدمه مالی شود.

انتقال و پیاده کردن تلویزیون را حتماً به مأمورین مجاز محول کنید.

اگر اشخاصی غیر از مأمورین مجاز تلویزیون را منتقل یا پیاده کنند، ممکن است دستگاه بیفتد و باعث جراحت یا زیان مالی شود. برای حمل یک تلویزیون بزرگ به دو یا چندین نفر نیاز دارید (سه نفر یا بیشتر برای تلویزیون‌های 189.3 سانتی‌متری (75 اینچی) و بزرگتر (غیر از مصر)).
برای حمل یک تلویزیون بزرگ به دو یا چندین نفر نیاز دارید (سه نفر یا بیشتر برای تلویزیون‌های 75 اینچی (189.3 سانتی‌متری) و بزرگتر (فقط مصر)).

پس از نصب تلویزیون، پیچ یا بقیه قسمت‌ها را باز نکنید.

در این صورت ممکن است تلویزیون بیفتد و باعث جراحت یا زیان مالی شود.

از ایجاد تغییرات در قسمت‌های مختلف

پایه نصب دیواری خودداری کنید.

اگر این کار را انجام دهید، ممکن است پایه نصب دیواری بیفتد و باعث آسیب جانی یا مالی شود.

تجهیزاتی غیر از موارد تعیین شده را نصب نکنید.

این پایه نصب دیواری فقط برای استفاده از محصولات تعیین شده طراحی شده است. اگر تجهیزات غیر از موارد تعیین شده را نصب کنید، ممکن است تجهیزات بیفتد، بشکند و باعث آسیب جانی و مالی شود.

غیر از تلویزیون وسیله اضافه دیگری را

روی پایه نصب دیواری نگذارید.

تلویزیون را به چپ/راست، بالا/پایین تکان

ندehید.

در این صورت ممکن است تلویزیون بیفتد و باعث جراحت یا زیان مالی شود.

به تلویزیون تکیه ندهید یا از آن آویزان نشوید.

به تلویزیون تکیه ندهید یا از آن آویزان نشوید چون ممکن است روی شما بیفتد و باعث جراحت شدید شود.

احتیاط

اگر احتیاط‌های زیر را انجام ندهید، ممکن است آسیب‌های جانی یا مالی بوجود آید.

- مراقب باشید انگشتان‌تان هنگام استفاده از پایه نصب دیواری یا چرخش دستگاه تلویزیون گیر نکنند.
- هنگام چرخاندن تلویزیون، با احتیاط کار کنید و مراقب باشید که به افراد مجاور اصابت نکنند.
- حتماً قطعات بدون استفاده را در یک مکان امن برای استفاده آتی نگهداری کنید.
- آن‌ها را دور از دسترس کودکان نگهداری کنید.

هنگام نگهداری یا تمیز کردن دستگاه، به

دستگاه فشار وارد نیاورید.

به سطح فوقانی تلویزیون فشار وارد نیاورید. در این صورت ممکن است تلویزیون بیفتد و باعث جراحت یا زیان مالی شود.

این محصول را نزدیک وسیله‌های پزشکی

قرار ندهید.

این محصول (شامل لوازم جنبی) دارای مغناطیس (هایی) است که ممکن است با محرک‌های قلب، والوهای شانت قابل برنامه ریزی برای معالجه هیدروسفالی، یا وسیله‌های پزشکی دیگر تداخل داشته باشد. این محصول را نزدیک افرادی که از چنین وسیله‌هایی استفاده می‌کنند قرار ندهید. در صورتی که از هر گونه از چنین وسیله‌های پزشکی استفاده می‌کنید، پیش از استفاده از این محصول با پزشک خود مشورت نمایید.

از دسترس کودکان یا افراد تحت نظارت دور

نگه دارید.

این محصول (شامل لوازم جنبی) دارای مغناطیس (هایی) است. بلعیدن مغناطیس(ها) می‌تواند سبب آسیب جدی، نظیر خطر خفگی یا صدمات روده ای شود. اگر مغناطیس‌ها (یا یک مغناطیس) بلعیده شدند، فوراً با یک پزشک مشورت نمایید.

پیش‌گیری‌ها

- اگر تلویزیون برای مدت زیادی است که روی پایه نصب دیواری نصب است، بسته به مصالح دیوار، ممکن است رنگ دیوار پشت یا بالای تلویزیون از بین برود یا کاغذ دیواری آن قسمت جدا شود.
- اگر پس از نصب، پایه نصب دیواری از دیوار جدا شود، جای بیچها روی دیوار می‌ماند.
- از به کار بردن پایه نصب دیواری در مکانی که لرزش‌های مکانیکی در آن وجود دارد، خودداری کنید.

نصب پایه نصب دیواری

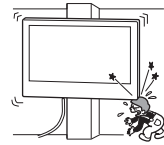
خطاب به فروشندگان Sony

هشدار

دستورالعمل های زیر فقط مخصوص فروشندگان محصولات Sony است. حتماً احتیاط های ایمنی فوق الذکر را مطالعه کنید و هنگام نصب، نگهداری و بررسی محصول به نکات ایمنی توجه لازم را مذبول دارید.

پایه نصب دیواری را در جایی از دیوار وصل نکنید که گوشه ها یا کناره های تلویزیون از دیوار دیوار پیش تر باشد.

پایه نصب دیواری را روی سطوحی مانند ستون وصل نکنید که گوشه ها یا کناره های تلویزیون از دیوار دیوار پیش تر باشد. اگر بطور اتفاقی شخص یا شیئی به لبه های پیش آمده تلویزیون برخورد کند، ممکن است باعث جراحات یا زیان مالی شود.

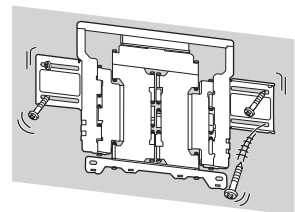


تلویزیون را در بالا یا پایین تهویه هوا نصب نکنید.

اگر تلویزیون برای مدت طولانی در معرض نشی آب یا جریان هوای تهویه قرار گیرد، ممکن است آتش سوزی، یا برق گرفتگی رخ دهد و یا باعث شود تلویزیون خوب کار نکند.

حتماً پایه نصب دیواری را محکم به دیوار نصب کنید و دستورالعمل های نصب این دفترچه دستورالعمل را رعایت نمایید.

اگر هر یک از پیچها شل یا باز شده باشد، ممکن است پایه نصب دیواری بیفتد و باعث آسیب جانی یا مالی شود. مطمئن شوید که از پیچ هایی استفاده کنید که متناسب با مصالح دیوار باشند و دستگاه را با استفاده از چهار پیچ با قطر 8 میلی متر (یا معادل آن) محکم نصب کنید.



حتماً از پیچ های ارائه شده و قطعات اتصال به درستی و مطابق با دستورالعمل های مندرج در دفترچه دستورالعمل استفاده کنید. در صورت استفاده از اقلام جایگزین، ممکن است تلویزیون بیفتد و باعث جراحات شخصی یا صدمه به تلویزیون شود.

حتماً پایه را به درستی و مطابق با مراحل توصیه شده در این دفترچه دستورالعمل نصب کنید.

اگر هر یک از پیچها شل یا باز شوند، ممکن است تلویزیون بیفتد و باعث جراحات شخصی یا صدمه به تلویزیون شود.

حتماً پیچها را در مکانهای تعبیه شده محکم کنید.

اگر این کار را انجام ندهید، ممکن است تلویزیون بیفتد و باعث جراحات شخصی یا صدمه به تلویزیون شود.

هنگام نصب از تکان دادن شدید تلویزیون خودداری کنید.

تکانهای شدید به تلویزیون ممکن است منجر به افتادن یا شکستن آن شود. و نهایتاً باعث آسیب دیدگی گردد.

تلویزیون را حتماً روی یک دیوار صاف و عمود نصب کنید.

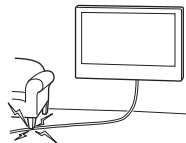
در غیر این صورت ممکن است تلویزیون بیفتد و باعث جراحات شود.

پس از نصب درست تلویزیون، کابلها را به خوبی محکم کنید.

اگر شخص یا شیئی به کابلها گیر کند، ممکن است منجر به جراحات یا صدمه به تلویزیون شود.

از وارد شدن فشار به سیم برق AC یا کابل رابط جلوگیری کنید.

اگر سیم یا برق AC یا کابل رابط بین دیوار و دستگاه گیر کند و به آن فشار وارد شود یا خم شده و پیچ بخورد، ممکن است روکش آن پاره شود و باعث ایجاد مدار کوتاه یا قطع یا برق شود. این حالت ممکن است باعث آتش سوزی یا برق گرفتگی شود.



پیچهایی که برای محکم کردن پایه نصب دیواری به دیوار است، عرضه نشده است.

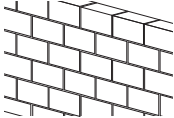
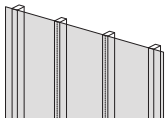
هنگام نصب پایه نصب دیواری، از پیچهایی استفاده کنید که مناسب مصالح و ساختار دیوار است.

قبل از شروع به کار

- تصاویر تلویزیون مندرج در این راهنما، نمونه‌هایی برای توضیح شفاف عملکردها هستند. به همین دلیل، این تصاویر ممکن است با تلویزیون واقعی شما متفاوت باشند.

دیوار شما از چه ساخته شده است؟



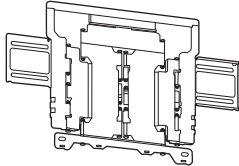
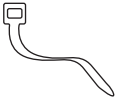

ابتدا، نوع دیوار را برای نصب تلویزیون بررسی کنید.

بتن جامد یا بلوک بتنی	دیوار خشک با داربست
 <p>پیش‌گیری‌ها</p> <ul style="list-style-type: none"> پایه نصب دیواری را مستقیماً بر روی دیوار بتنی مستحکم سوار کنید. مطمئن شوید که ضخامت دیوار بتنی مستحکم حداقل 203 میلی‌متر باشد. مطمئن شوید که سایز هر بلوک بتنی حداقل 203 میلی‌متر × 203 میلی‌متر × 406 میلی‌متر باشد. 	 <p>پیش‌گیری‌ها</p> <ul style="list-style-type: none"> حداکثر ضخامت دیوار خشک: 16 میلی‌متر. اطمینان حاصل کنید اندازه داربست چوبی داخلی حداقل 51 میلی‌متر × 102 میلی‌متر برای اندازه استاندارد و برای اندازه اسمی 38 میلی‌متر × 89 میلی‌متر باشد. فضایی افقی به اندازه حداقل 406 میلی‌متر میان بست‌ها نگه دارید.

بررسی قطعات

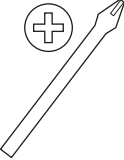
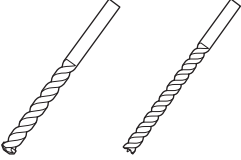


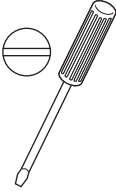

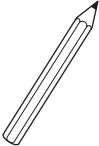
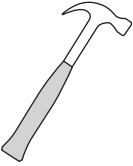
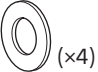



ارائه شده با SU-WL850

- بررسی کنید که همه قطعات در بسته بندی موجود باشد.

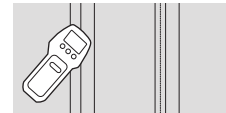
<p>(×4) WM3</p> 	<p>(×1) WM2</p> 	<p>(×1) WM1</p> 
	<p>(×6) WT1</p> 	<p>(×4) M6</p> 

آماده سازی برای نصب

- قبل از نصب، راهنمای مرجع و راهنمای نصب تلویزیون را کنار دستتان داشته باشید.
- محل نصب تلویزیون خود را تعیین کنید.
- چهار پیچ به قطر 8 میلی متر و چهار واشر مناسب (ارائه نشده) آماده کنید. پیچ هایی را انتخاب کنید که با مواد سازنده دیوار تناسب داشته باشند.
- ابزارهای زیر را آماده کنید:

	 <p>10 میلی متر 5.5 میلی متر</p>		 <p>1*</p>
 <p>3*</p> <p>1.5 نیوتن متر { 15 کیلوگرم نیرو سانتی متر }</p>	 <p>1.5 نیوتن متر { 15 کیلوگرم نیرو سانتی متر }</p>		 <p>2*</p>
 <p>4*</p>	 <p>4*</p> <p>8 میلی متر × 60 میلی متر</p>	 <p>2*</p>	

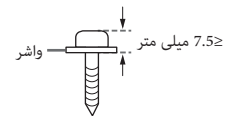
1* فقط برای دیوار خشک با داربست

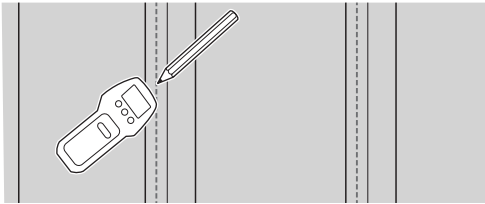


2* فقط برای بتن مستحکم یا بلوک بتنی

3* بسته به مدل ها

4* هنگام استفاده از پیچ و واشر مراقب باشید.

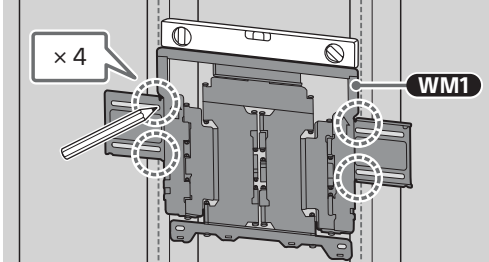




2

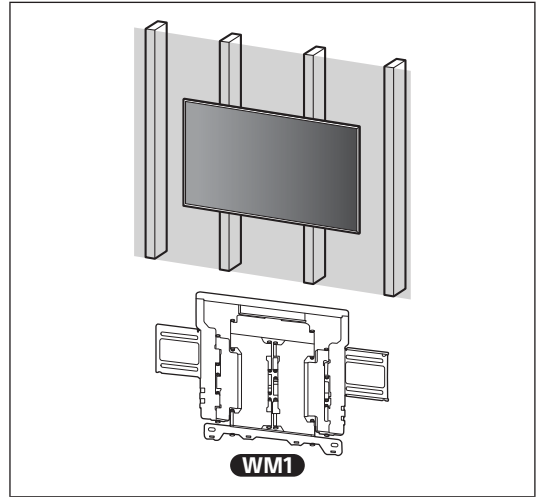
A الصاق پایه نصب دیواری به دیوار خشک با داریست

3 را روی دیوار تراز کنید و چهار علامت تراز با میله ها مشخص کنید.



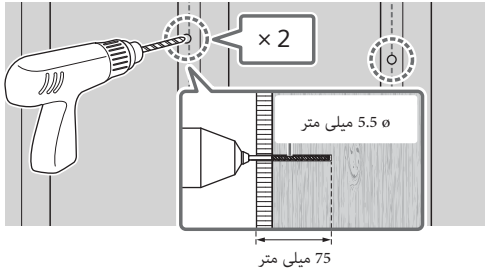
نکته

- از یک تراز برای بررسی اینکه WM1 تراز است استفاده کنید.



نصب پایه نصب دیواری به دیوار

4 سوراخ های تنظیمی بالا را روی علامت ها دریل کنید. اطمینان یابید که محلی از دیوار که سوراخ ها زده می شود قدرت کافی برای تحمل وزن حداقل شش برابر تلویزیون را دارا باشد.



نکته

- سوراخ های تنظیمی باید با عمق 75 میلی متری و با استفاده از یک مته با قطر 5.5 میلی متری ایجاد شوند.

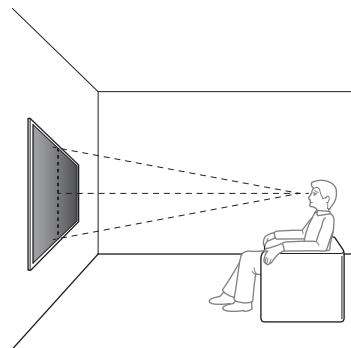
1 در مورد محل نصب تصمیم بگیرید.

دقت کنید دیوار فضای کافی برای تلویزیون داشته باشد و بتواند حداقل شش برابر وزن تلویزیون را تحمل کند.

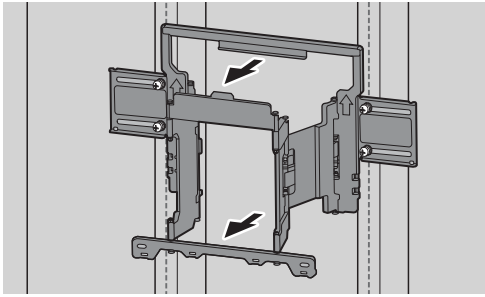
- به "اندازه ها برای نصب پایه نصب دیواری به دیوار" در صفحه 18 مراجعه کنید.
- به راهنمای مرجع تلویزیون برای اطلاع یافتن از وزن تلویزیون مراجعه کنید.

نکته

- وقتی تلویزیون شما روی دیوار نصب شد، قسمت بالایی تلویزیون کمی رو به جلو قرار می گیرد.
- توصیه می کنیم موقعیت تلویزیون را از فضای مشاهده مورد بررسی قرار دهید.



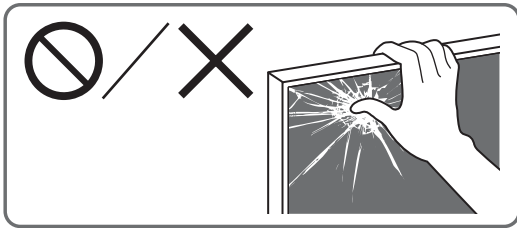
8 بازوی پایه را تا انتها بیرون بکشید.



آماده سازی برای نصب تلویزیون

نکته

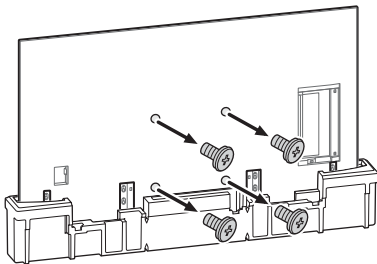
- حتماً پیچ های باز شده و قطعات بلااستفاده را در مکانی امن و دور از دسترس کودکان قرار دهید.



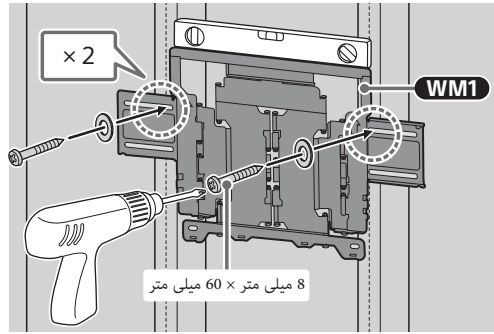
نصب تلویزیون روی دیوار از کارتن^{1*}

^{1*} فقط برای بعضی مناطق/کشورها/مدلها.

1 پیچ ها را از پشت تلویزیون بیرون بیاورید.



5 را با استفاده از پیچ ها (ارائه نشده) و واشرهای (ارائه نشده) مناسب روی دیوار نصب کنید.



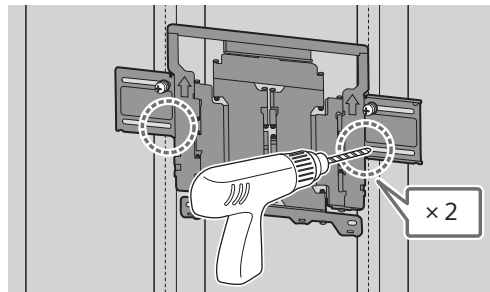
نکته

- از یک تراز برای بررسی اینکه **WM1** تراز است استفاده کنید.

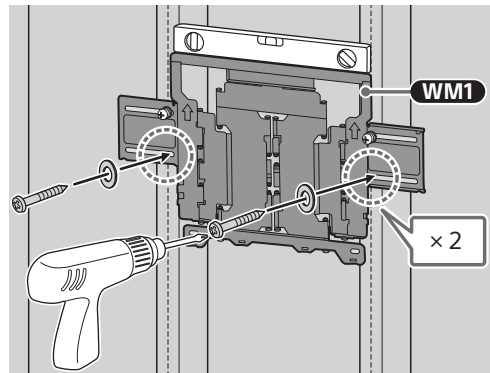
پیش گیری ها

- از سفت کردن بیش از حد پیچ چوبی 8 میلی متر x 60 میلی متر خودداری کنید. سفت کردن نامناسب ممکن است قدرت نگهدارندگی پیچ چوبی 8 میلی متر x 60 میلی متر را کاهش دهد.

6 سوراخ های تنظیمی پایین را روی علامت ها دریل کنید. (برای دستورالعمل دریل کردن به مرحله 4 مراجعه کنید.)



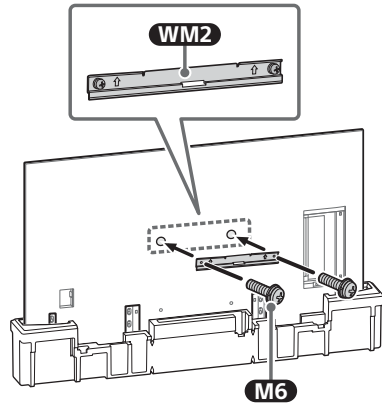
7 سوراخ ها را با پیچ و واشر مناسب بسته و محکم کنید.



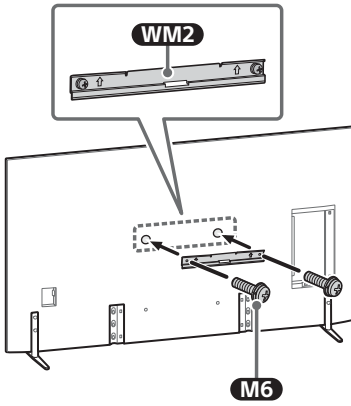
نکته

- از یک تراز برای بررسی اینکه **WM1** تراز است استفاده کنید.

2 را با استفاده از **WM2** به تلویزیون **M6** وصل کنید.

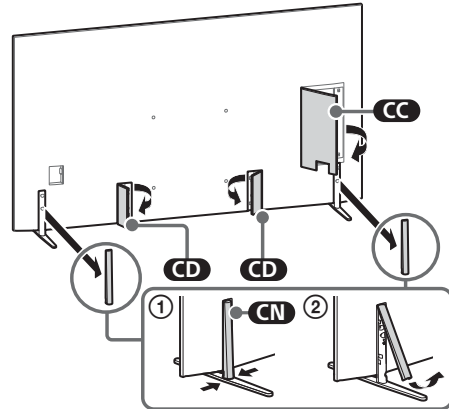


3 را با استفاده از **WM2** به تلویزیون **M6** وصل کنید.

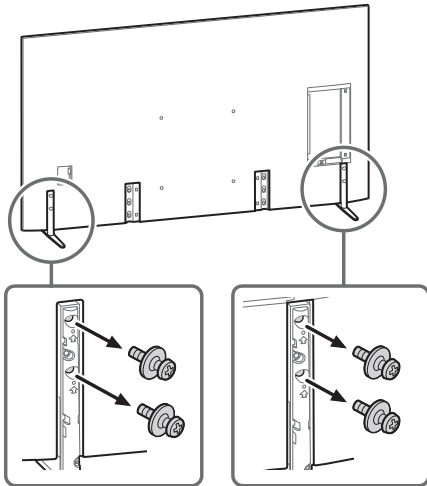


نصب تلویزیون روی دیوار از پایه رومیزی

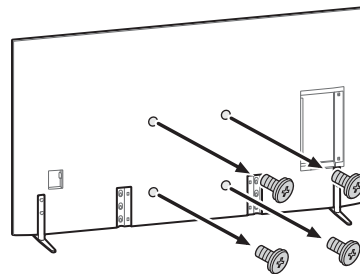
1 روکش های پایه و روکش های پایانه را بردارید.



4 پایه رومیزی را از تلویزیون جدا کنید.



2 پیچ ها را از پشت تلویزیون بیرون بیاورید.

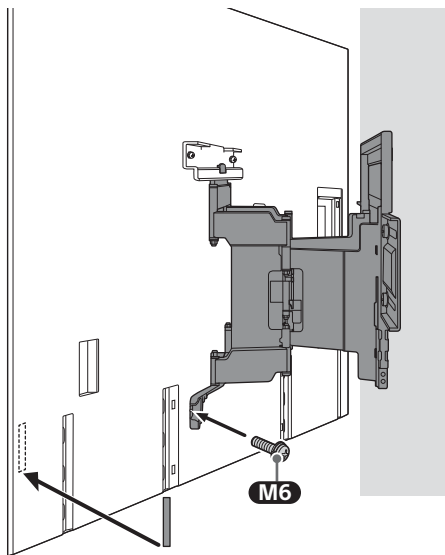
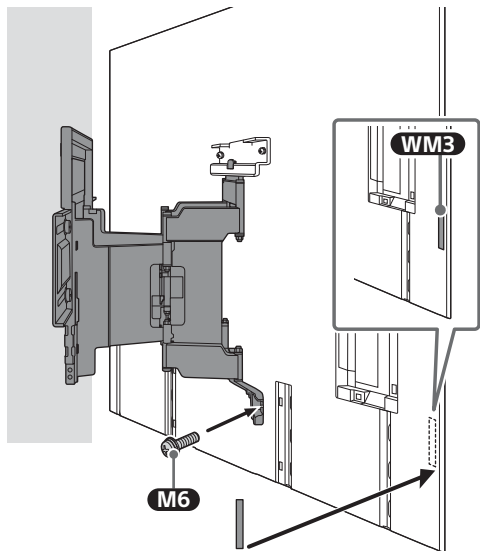


نکته

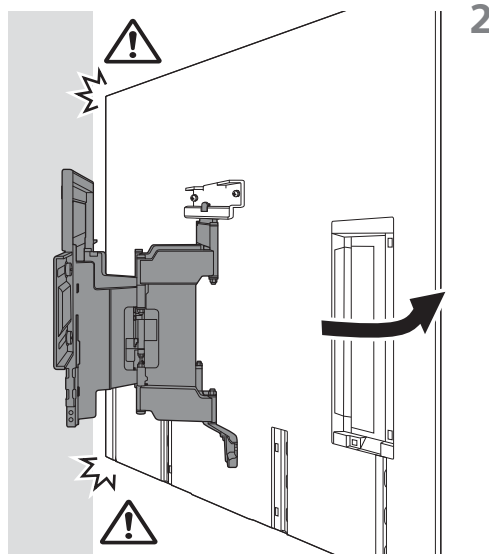
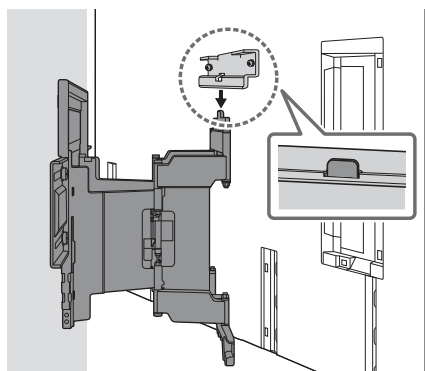
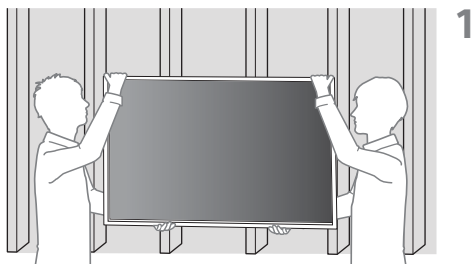
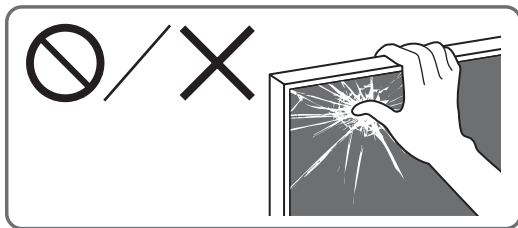
- هنگام بلند کردن تلویزیون مراقب باشید زیرا پایه رومیزی در هنگام جدا شدن ممکن است واژگون شود و به افراد آسیب برساند.
- هنگام جدا کردن پایه رومیزی از تلویزیون دقت کنید که مانع افتادن آن و آسیب رساندن به سطحی که تلویزیون روی آن قرار دارد شوید.

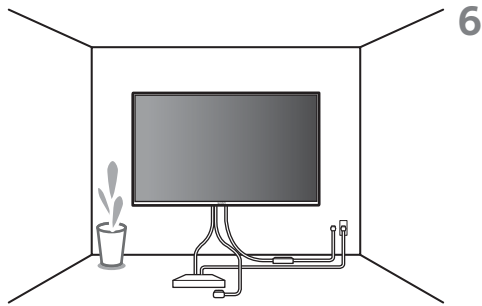
3 سمت راست و چپ پایه نصب دیواری را با استفاده از **M6** پیچ کنید و **WM3** را وصل کنید.

نکته
• **WM3** را روی برچسب‌ها متصل نکنید.



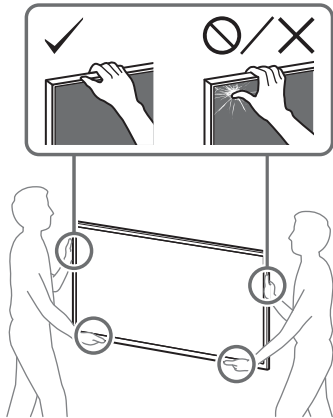
نصب نتلویزیون روی دیوار





هشدار

- برای حمل یک تلویزیون بزرگ به دو یا چندین نفر نیاز دارید (سه نفر یا بیشتر برای تلویزیون‌های 189.3 سانتی‌متری (75 اینچی) و بزرگتر) (غیر از مصر).
- برای حمل یک تلویزیون بزرگ به دو یا چندین نفر نیاز دارید (سه نفر یا بیشتر برای تلویزیون‌های 75 اینچی (189.3 سانتی‌متری) و بزرگتر) (فقط مصر).



بررسی تکمیل نصب

نکات زیر را بررسی کنید.

- سیم یا کابل پیچ نخورده یا گیر نکرده است.

هشدار

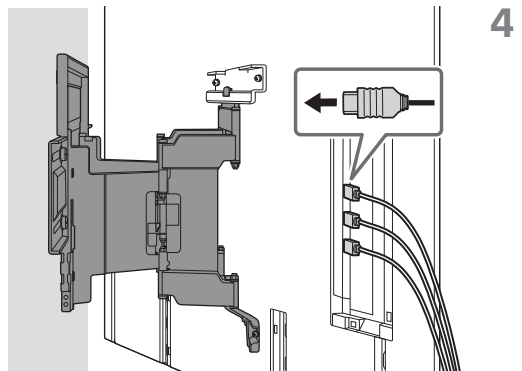
- جایگذاری نامناسب کابل اتصال و غیره، به دلیل ایجاد مدار کوتاه ممکن است باعث وقوع آتش سوزی یا برق گرفتگی شود. حتماً تکمیل نصب را از نظر ایمنی بررسی کنید.

اطلاعات دیگر

هنگام جابجا کردن تلویزیون، مراحل نصب قبلی را برعکس انجام دهید.

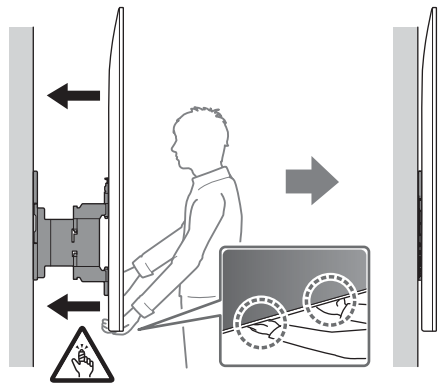
هشدار

- برای حمل یک تلویزیون بزرگ به دو یا چندین نفر نیاز دارید (سه نفر یا بیشتر برای تلویزیون‌های 189.3 سانتی‌متری (75 اینچی) و بزرگتر) (غیر از مصر).
- برای حمل یک تلویزیون بزرگ به دو یا چندین نفر نیاز دارید (سه نفر یا بیشتر برای تلویزیون‌های 75 اینچی (189.3 سانتی‌متری) و بزرگتر) (فقط مصر).



5 زمان جابجا کردن تلویزیون، آن را از پایین محکم نگه

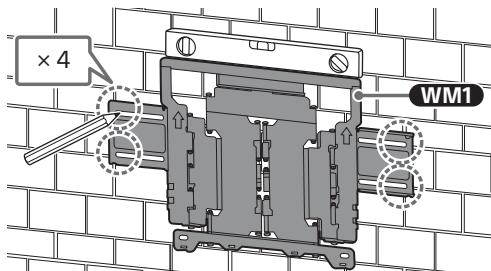
دارید.



نکته

- بسته به نوع و تعداد کابل‌های متصل شده تلویزیون ممکن است نزدیک به دیوار حرکت نکند. این یک سوء عملکرد نیست.

2 WM1 را با دیوار تراز کرده و چهار علامت مشخص کنید.

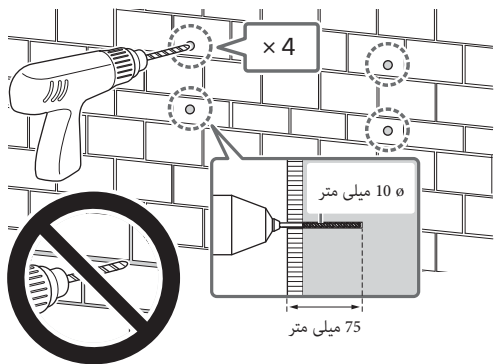


نکته

- از یک تراز برای بررسی اینکه WM1 تراز است استفاده کنید.

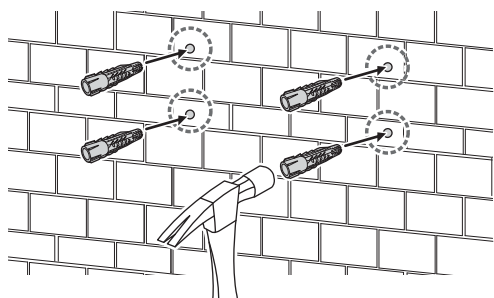
3 سوراخ های تنظیمی را روی علامت ها دریل کنید.

اطمینان یابید که محلی از دیوار که سوراخ ها زده می شود قدرت کافی برای تحمل وزن حداقل شش برابر تلویزیون را دارا باشد.



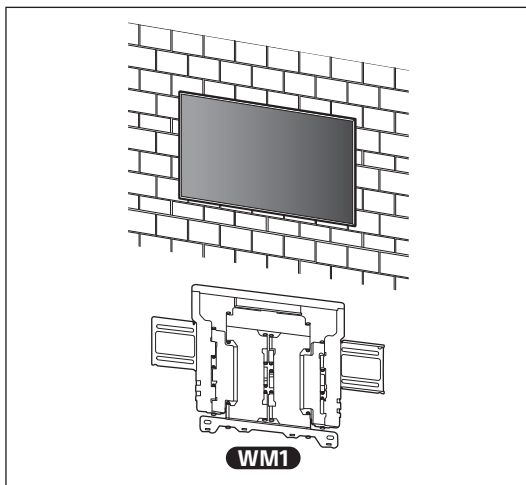
نکته

- سوراخ های تنظیمی باید با عمق 75 میلی متری و با استفاده از یک مته با قطر 10 میلی متری ایجاد شوند.



4

B اتصال پایه نصب دیواری به بتن یا بلوک بتنی



نصب پایه نصب دیواری به دیوار

1

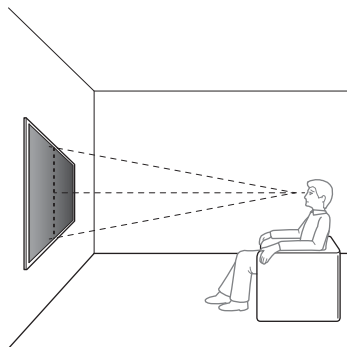
در مورد محل نصب تصمیم بگیرید.

دقت کنید دیوار فضای کافی برای تلویزیون داشته باشد و بتواند حداقل شش برابر وزن تلویزیون را تحمل کند.

- به "اندازه‌ها برای نصب پایه نصب دیواری به دیوار" در صفحه 18 مراجعه کنید.
- به راهنمای مرجع تلویزیون برای اطلاع یافتن از وزن تلویزیون مراجعه کنید.

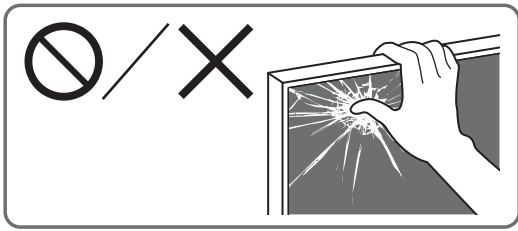
نکته

- وقتی تلویزیون شما روی دیوار نصب شد، قسمت بالایی تلویزیون کمی رو به جلو قرار می گیرد.
- توصیه می کنیم موقعیت تلویزیون را از فضای مشاهده مورد بررسی قرار دهید.



آماده سازی برای نصب تلویزیون

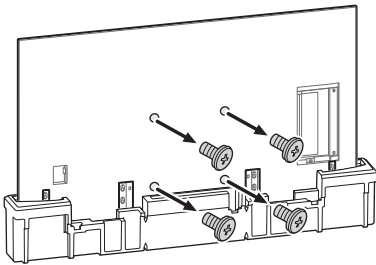
- نکته
- حتماً پیچ های باز شده و قطعات بلااستفاده را در مکانی امن و دور از دسترس کودکان قرار دهید.



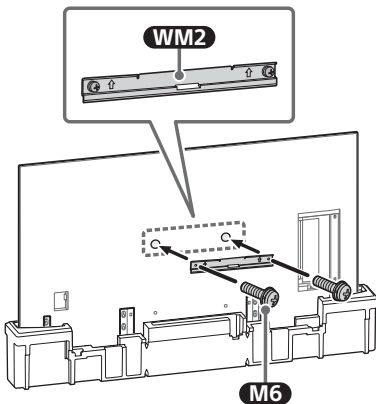
نصب تلویزیون روی دیوار از کارتن^{1*}

- 1* فقط برای بعضی مناطق/کشورها/مدلیها.

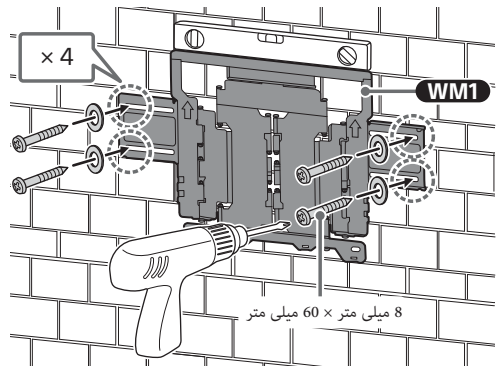
1 پیچ ها را از پشت تلویزیون بیورید.



2 را با استفاده از WM2 به تلویزیون M6 وصل کنید.



5 WM1 را با استفاده از پیچ ها (ارائه نشده) و واشرهای (ارائه نشده) مناسب روی دیوار نصب کنید.



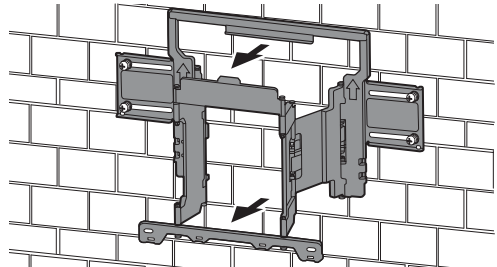
نکته

- از یک تراز برای بررسی اینکه WM1 تراز است استفاده کنید.

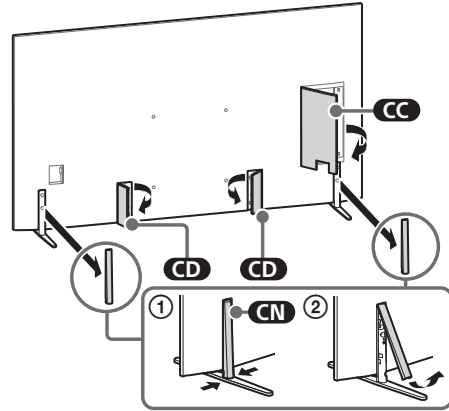
پیش گیری ها

- از سفت کردن بیش از حد پیچ چوبی 8 میلی متر x 60 میلی متر خودداری کنید. سفت کردن نامناسب ممکن است قدرت نگهدارندگی پیچ چوبی 8 میلی متر x 60 میلی متر را کاهش دهد.

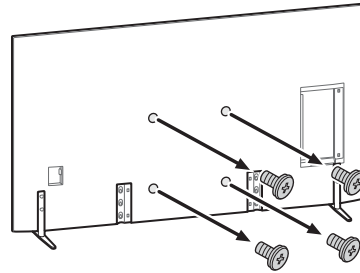
6 بازوی پایه را تا انتها بیرون بکشید.



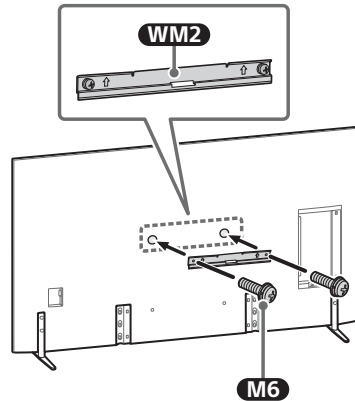
1 روکش های پایه و روکش های پایانه را بردارید.



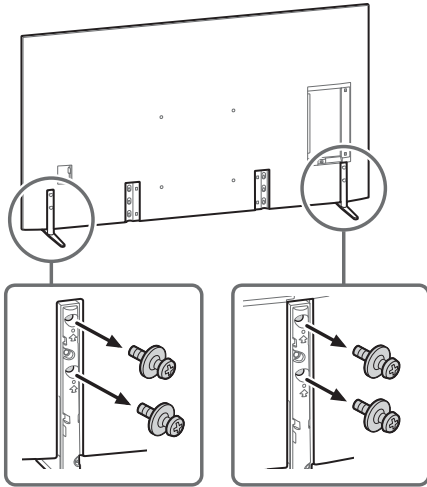
2 پیچ ها را از پشت تلویزیون بیورید.



3 را با استفاده از WM2 به تلویزیون M6 وصل کنید.



4 پایه رومیزی را از تلویزیون جدا کنید.

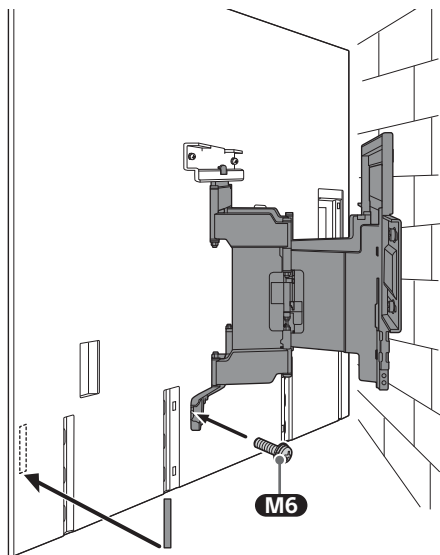
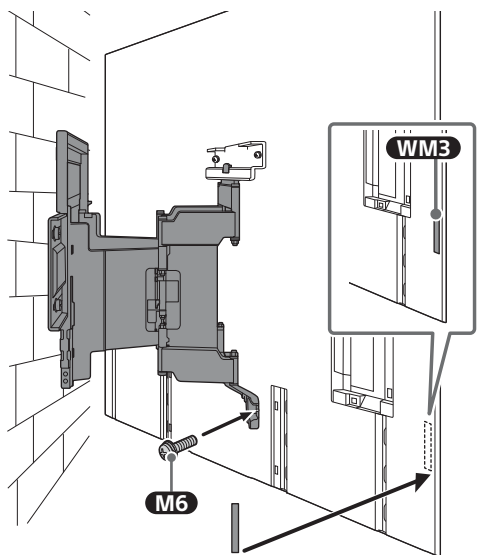


نکته

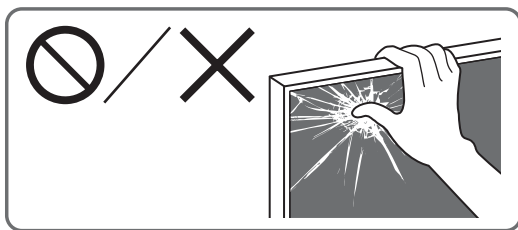
- هنگام بلند کردن تلویزیون مراقب باشید زیرا پایه رومیزی در هنگام جدا شدن ممکن است واژگون شود و به افراد آسیب برساند.
- هنگام جدا کردن پایه رومیزی از تلویزیون دقت کنید که مانع افتادن آن و آسیب رساندن به سطحی که تلویزیون روی آن قرار دارد شوید.

3 سمت راست و چپ پایه نصب دیواری را با استفاده از **M6** پیچ کنید و **WM3** را وصل کنید.

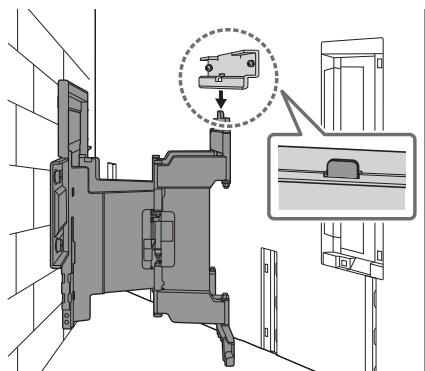
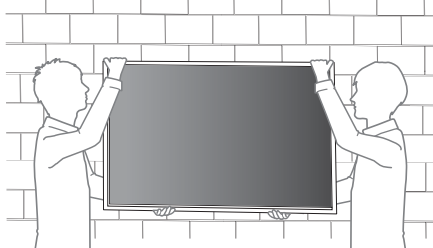
نکته **WM3** را روی برچسب‌ها متصل نکنید.



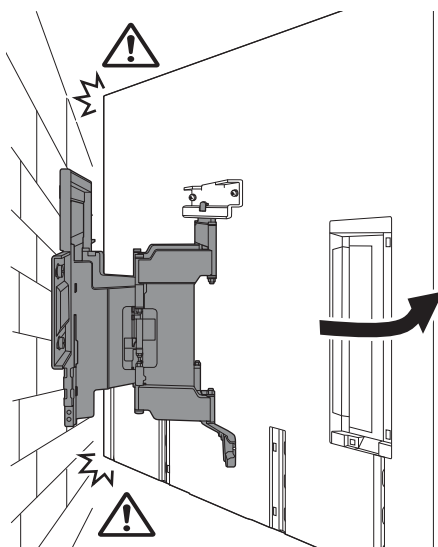
نصب نتلویزیون روی دیوار

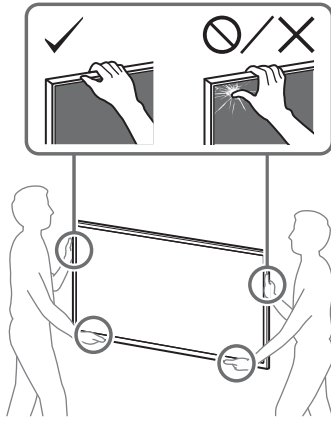


1



2





بررسی تکمیل نصب

نکات زیر را بررسی کنید.

- سیم یا کابل پیچ نخورده یا گیر نکرده است.

هشدار

- جایگذاری نامناسب کابل اتصال و غیره، به دلیل ایجاد مدار کوتاه ممکن است باعث وقوع آتش سوزی یا برق گرفتگی شود. حتماً تکمیل نصب را از نظر ایمنی بررسی کنید.

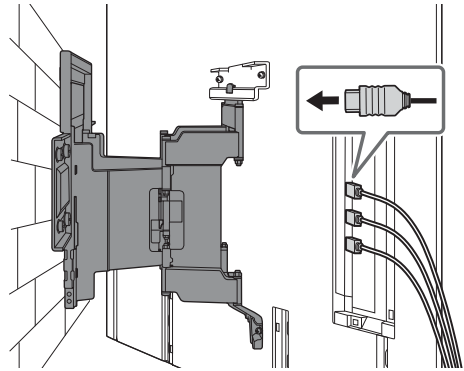
اطلاعات دیگر

هنگام جابجا کردن تلویزیون، مراحل نصب قبلی را برعکس انجام دهید.

هشدار

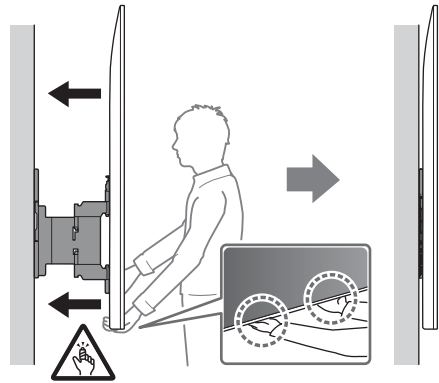
- برای حمل یک تلویزیون بزرگ به دو یا چندین نفر نیاز دارید (سه نفر یا بیشتر برای تلویزیون‌های 189.3 سانتی‌متری (75 اینچی) و بزرگتر) (غیر از مصر). برای حمل یک تلویزیون بزرگ به دو یا چندین نفر نیاز دارید (سه نفر یا بیشتر برای تلویزیون‌های 75 اینچی (189.3 سانتی‌متری) و بزرگتر) (فقط مصر).

4



5 زمان جابجا کردن تلویزیون، آن را از پایین محکم نگه

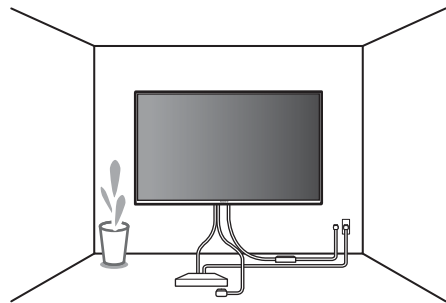
دارید.



نکته

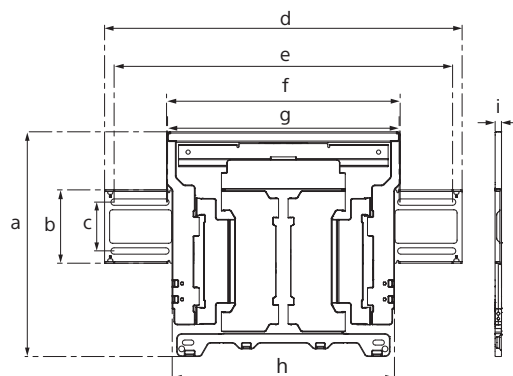
- بسته به نوع و تعداد کابل‌های متصل شده تلویزیون ممکن است نزدیک به دیوار حرکت نکند. این یک سوء عملکرد نیست.

6



هشدار

- برای حمل یک تلویزیون بزرگ به دو یا چندین نفر نیاز دارید (سه نفر یا بیشتر برای تلویزیون‌های 189.3 سانتی‌متری (75 اینچی) و بزرگتر) (غیر از مصر). برای حمل یک تلویزیون بزرگ به دو یا چندین نفر نیاز دارید (سه نفر یا بیشتر برای تلویزیون‌های 75 اینچی (189.3 سانتی‌متری) و بزرگتر) (فقط مصر).



ابعاد: (تقریباً) [میلی متر]

354 : a

116 : b

77 : c

563 : d

533 : e

370 : f

368 : g

350 : h

11 : i

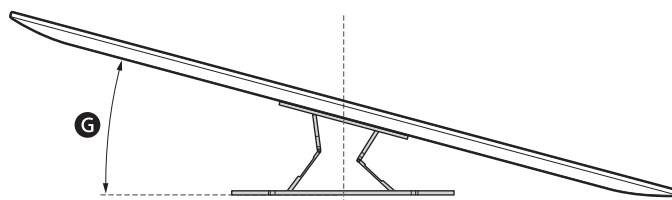
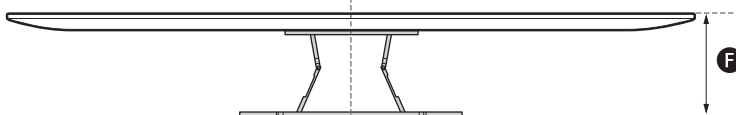
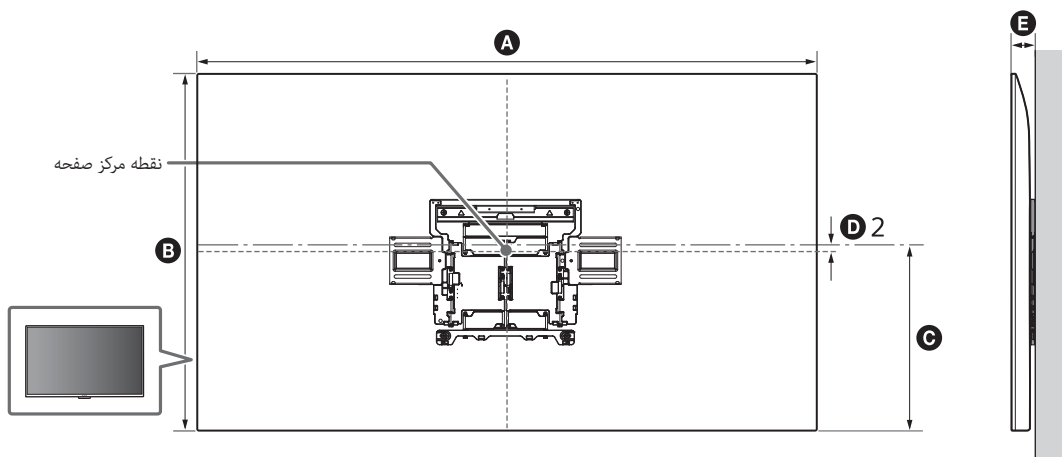
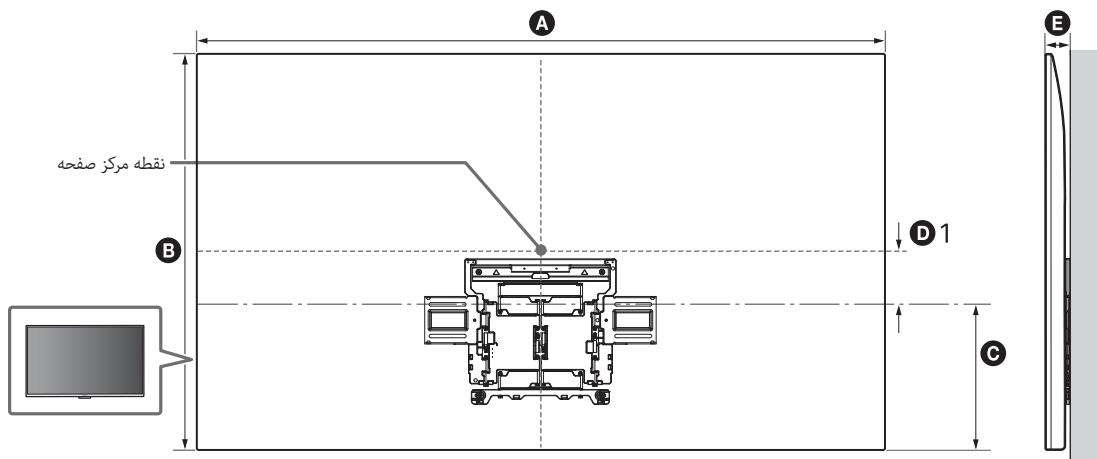
وزن (فقط پایه): (تقریباً) [کیلوگرم]

3.0

طرح و مشخصات بدون اطلاع در معرض تغییر هستند.

ارجاعات

اندازه‌ها برای نصب پایه نصب دیواری به دیوار
 ارقام موجود در جدول ممکن است بسته به نصب کمی فرق داشته باشد.



(میلی متر)

مدل نام	A	B	C	D ¹	D ²	E	F ^{1*}	G ^{1*} (°)
K-77XR8x	1 713	984	362	139	-	48	251.4	12
K-65XR8x	1 442	829	362	57	-	48	250.8	17
K-55XR8x	1 223	706	362	-	3	48	250.8	19

1* (تقریباً)